

PUSH TO TALK SWITCHES ON GOOSE NECK MICS ARE PARALLELED ON TERMINAL BLOCK

TB SPICE IN MCCP RACK BELOW CONTROL PANEL

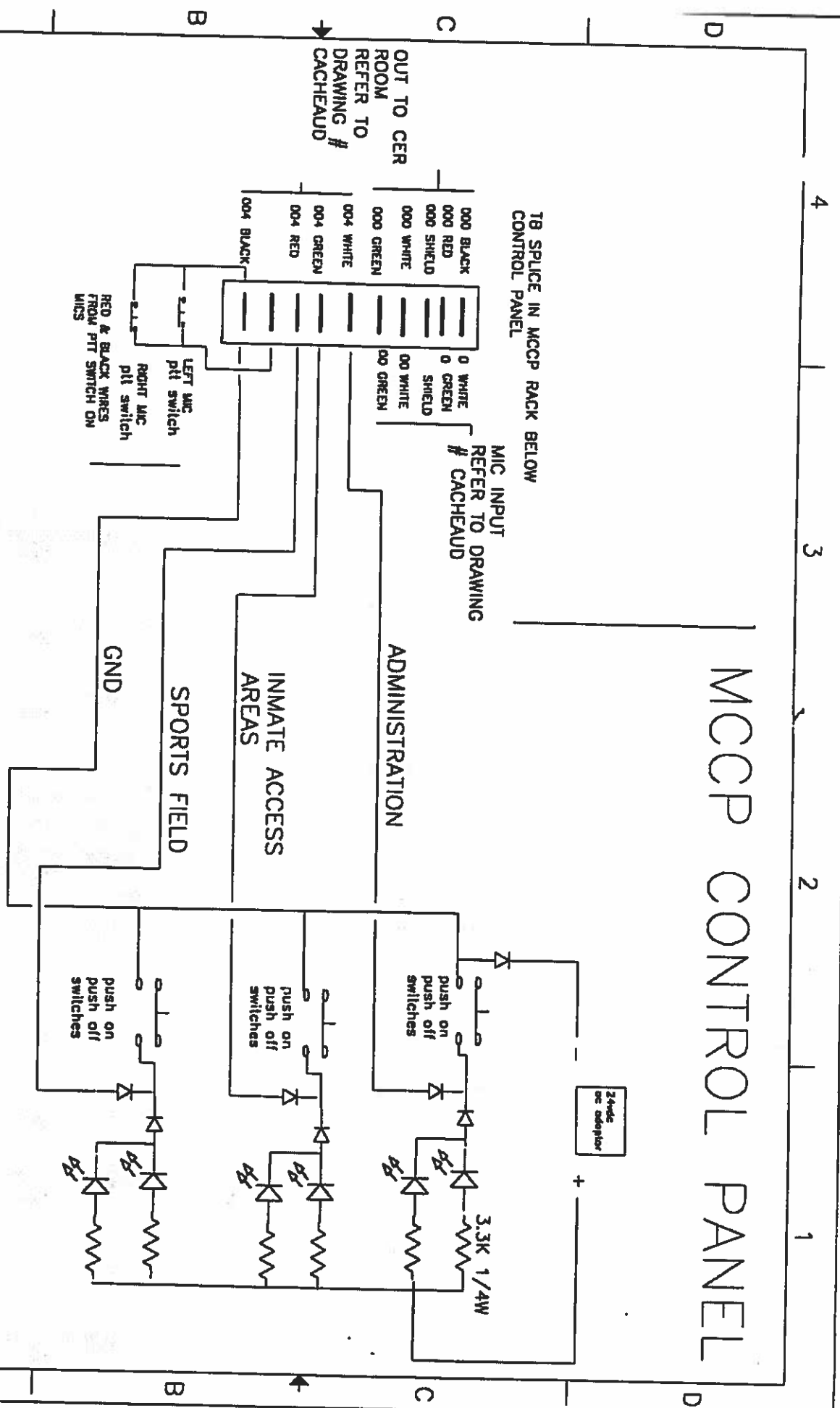
TB SPICE IN CER EQUIPMENT RACK

LOCATED IN PAGING PANEL

NOTE: ALL WIRING IS SOURCE SPECIFIC TYPE & SPICE TYPE REFERENCES TERMINAL BLOCK SPICES REFERENCES COMMON SHIELD CONNECTIONS IN CONTROL BOX THIS IS NOT DC OR COMMON GROUND

PROFESSIONAL COMMUNICATION SYSTEMS LTD 2824H WINERS AVE SASKATOON, SASK 306 9751993		GRANDE CACHE INSTITUTE PAGING SYSTEM MCCP HEAD END TO H208	
DATE	TIME	DATE	TIME
		JAN 13, 1998	
CACHÉAUID			

MCCP CONTROL PANEL



T8 SPICE IN MCCP RACK BELOW
CONTROL PANEL

MIC INPUT
REFER TO DRAWING
CACHEAUD

ADMINISTRATION

INMATE ACCESS
AREAS

SPORTS FIELD

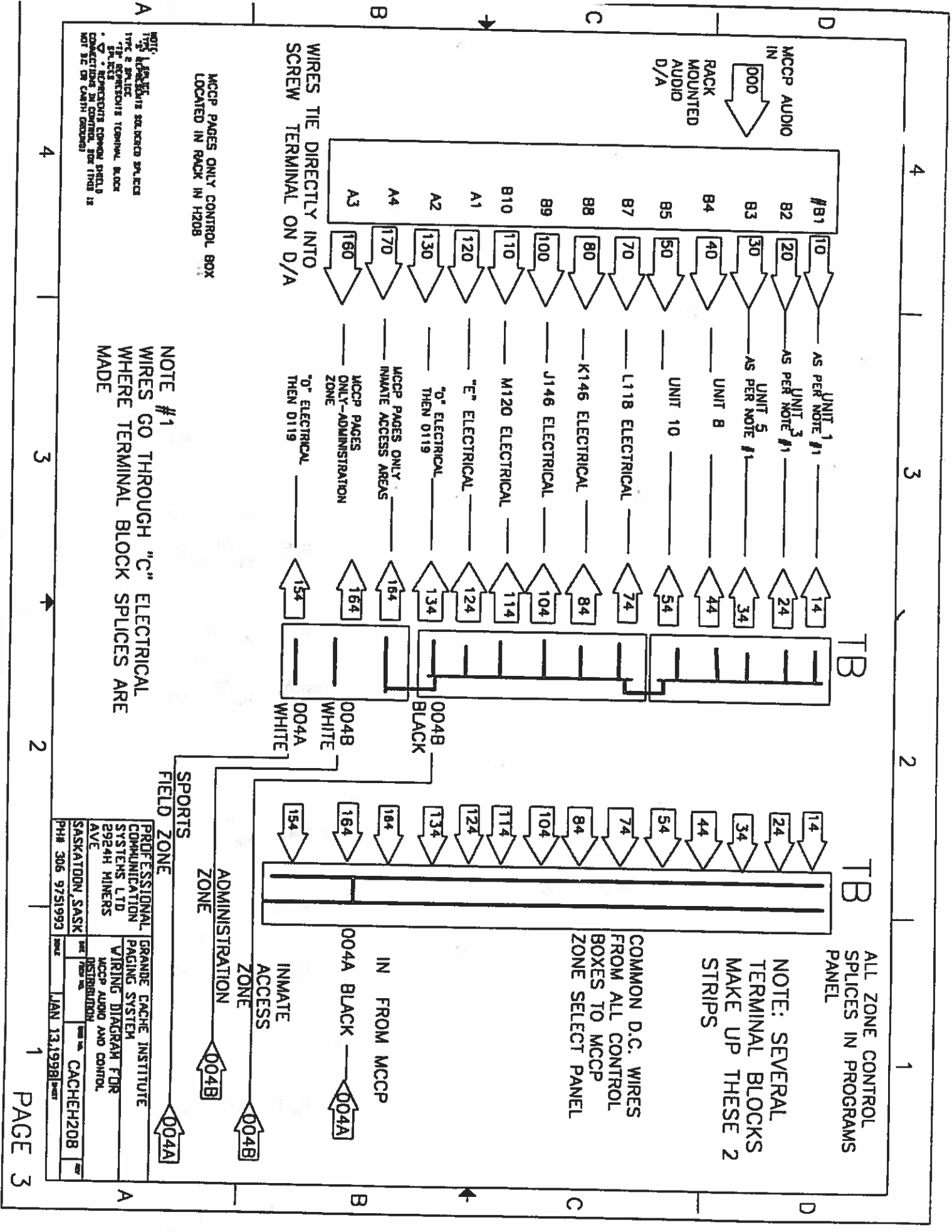
GND

LEFT MIC
pdt switch
RIGHT MIC
pdt switch
RED & BLACK WIRES
FROM PTT SWITCH ON
MICS

OUT TO CER
ROOM
REFER TO
DRAWING #
CACHEAUD

Part#
LED -----3180D12 or KSB1663
DIODE -----1N4007
RESISTOR -----3300 OHM 1/4 WATT
AC ADAPTOR - MODE 68-242-1

PROFESSIONAL COMMUNICATION SYSTEMS LTD 2924H MINERS AVE SASKATOON, SASK	GRANDE CACHE INSTITUTE PAGING SYSTEM WIRING DIAGRAM FOR MCCP OPERATORS PANEL	DATE JAN 13, 1998	BY MCCHECP/MCCP
PHONE 306 9751993			



NOTE:
 1. WIRES ARE TO BE SELECTED FROM THE
 1700 & 1701
 2. THE DIRECTORIES TERMINAL BLOCK
 3. CONNECTIONS TO CONTROL BOX (THIS IS
 NOT BE ON CABLE GROUPS)

MCCP PAGES ONLY CONTROL BOX
 LOCATED IN RACK IN H208

NOTE #1
 WIRES GO THROUGH "C" ELECTRICAL
 WHERE TERMINAL BLOCK SPICES ARE
 MADE

ALL ZONE CONTROL
 SPICES IN PROGRAMS
 PANEL

NOTE: SEVERAL
 TERMINAL BLOCKS
 MAKE UP THESE 2
 STRIPS

COMMON D.C. WIRES
 FROM ALL CONTROL
 BOXES TO MCCP
 ZONE SELECT PANEL

IN FROM MCCP
 004A BLACK

INMATE
 ACCESS
 ZONE
 004B

ADMINISTRATION
 ZONE
 004B

SPORTS
 FIELD ZONE
 004A

PROFESSIONAL COMMUNICATION SYSTEMS LTD 2924H MINERS AVE SASKATOON, SASK PH# 306 9751993	GRANDE CACHE INSTITUTE PAGING SYSTEM WIRING DIAGRAM FOR MCCP AUDIO AND CONTROL DISTRIBUTION CACHEH208	DATE JAN 13, 1998
--	--	----------------------

NEW WIRE #'S THAT MAY APPEAR IN SOME ELECTRICAL ROOMS FROM H208 FOR CONTROL

14	BEIGE 22-4 WIRE #	APR
24	BEIGE 22-4 WIRE #	APQ
34	BEIGE 22-4 WIRE #	APP
44	BEIGE 22-4 WIRE #	APO
54	BEIGE 22-4 WIRE #	APN
74	BEIGE 22-4 WIRE #	APL
84	BEIGE 22-4 WIRE #	APK
104	BEIGE 22-4 WIRE #	APJ
114	BEIGE 22-4 WIRE #	APM
124	BEIGE 22-4 WIRE #	APE
134	BEIGE 22-4 WIRE #	APD
154	BEIGE 22-4 WIRE #	APD

NEW WIRE #'S IN H208 FOR MCCP AUDIO TO CONTROL BOXES

10	GREY 16-2 SHIELDED WIRE #	APR
20	GREY 16-2 SHIELDED WIRE #	APQ
30	GREY 16-2 SHIELDED WIRE #	APP
40	GREY 16-2 SHIELDED WIRE #	APO
50	GREY 16-2 SHIELDED WIRE #	APN
70	GREY 16-2 SHIELDED WIRE #	APL
80	GREY 16-2 SHIELDED WIRE #	APK
100	GREY 16-2 SHIELDED WIRE #	APJ
110	GREY 16-2 SHIELDED WIRE #	APM
120	GREY 16-2 SHIELDED WIRE #	APE
130	GREY 16-2 SHIELDED WIRE #	APD

NEW WIRE #'S FROM H208

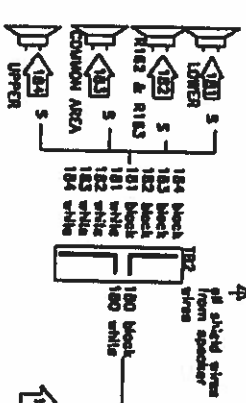
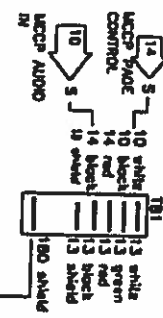
14	UNIT 1
24	UNIT 3
34	UNIT 5
44	UNIT 8
54	UNIT 10
74	L118 ELECTRICAL
84	K146 ELECTRICAL
104	J146 ELECTRICAL
114	M120 ELECTRICAL
124	"E" ELECTRICAL
134	"D" ELECTRICAL THEN D119
154	"D" ELECTRICAL THEN D119

PROFESSIONAL COMMUNICATION SYSTEMS LTD
 2924H MINERS AVE
 SASKATOON, SASK
 PHONE 306 9751993

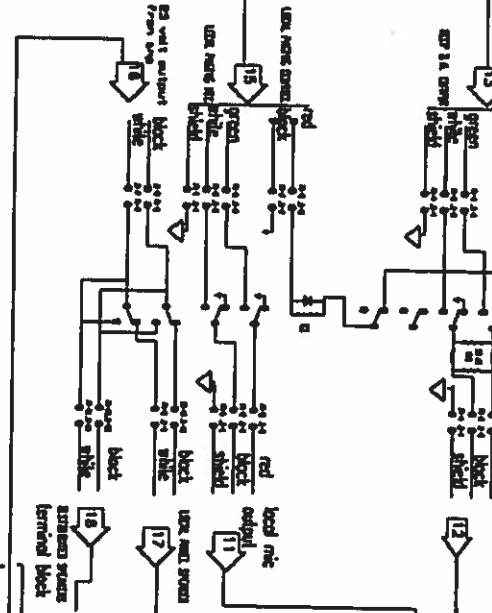
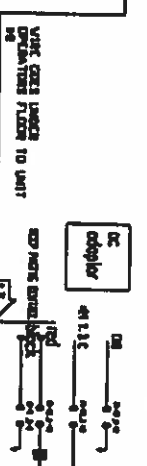
GRANDE CACHE INSTITUTE
 PACING SYSTEM
 WIRING DIAGRAM FOR
 MCCP AUDIO AND CONTROL
 DISTRIBUTION

CACHEWIR
 JAN 13, 1998

UNIT #1
Type 2 splice



UNIT #2

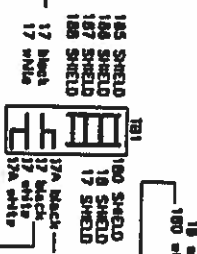
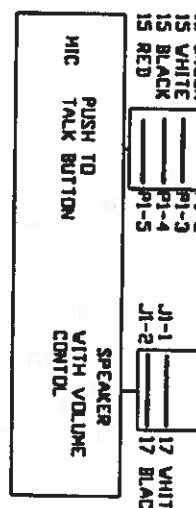


TYPE 1 SPLICES located either above cable tray or in programs panel (splice location marked with a green spray painted rectangle)

TYPE 2 SPLICE IN PROG./PAGE PANEL

NOTE:
TYPE 1 SPLICES REPRESENTS SOLDERED SPLICES
TYPE 2 SPLICE REPRESENTS TERMINAL BLOCK SPLICES
▽ REPRESENTS COMMON SHIELD CONNECTIONS IN CONTROL BOX (THIS IS NOT DC OR EARTH GROUND)

MAIN FLOOR ENTRANCE

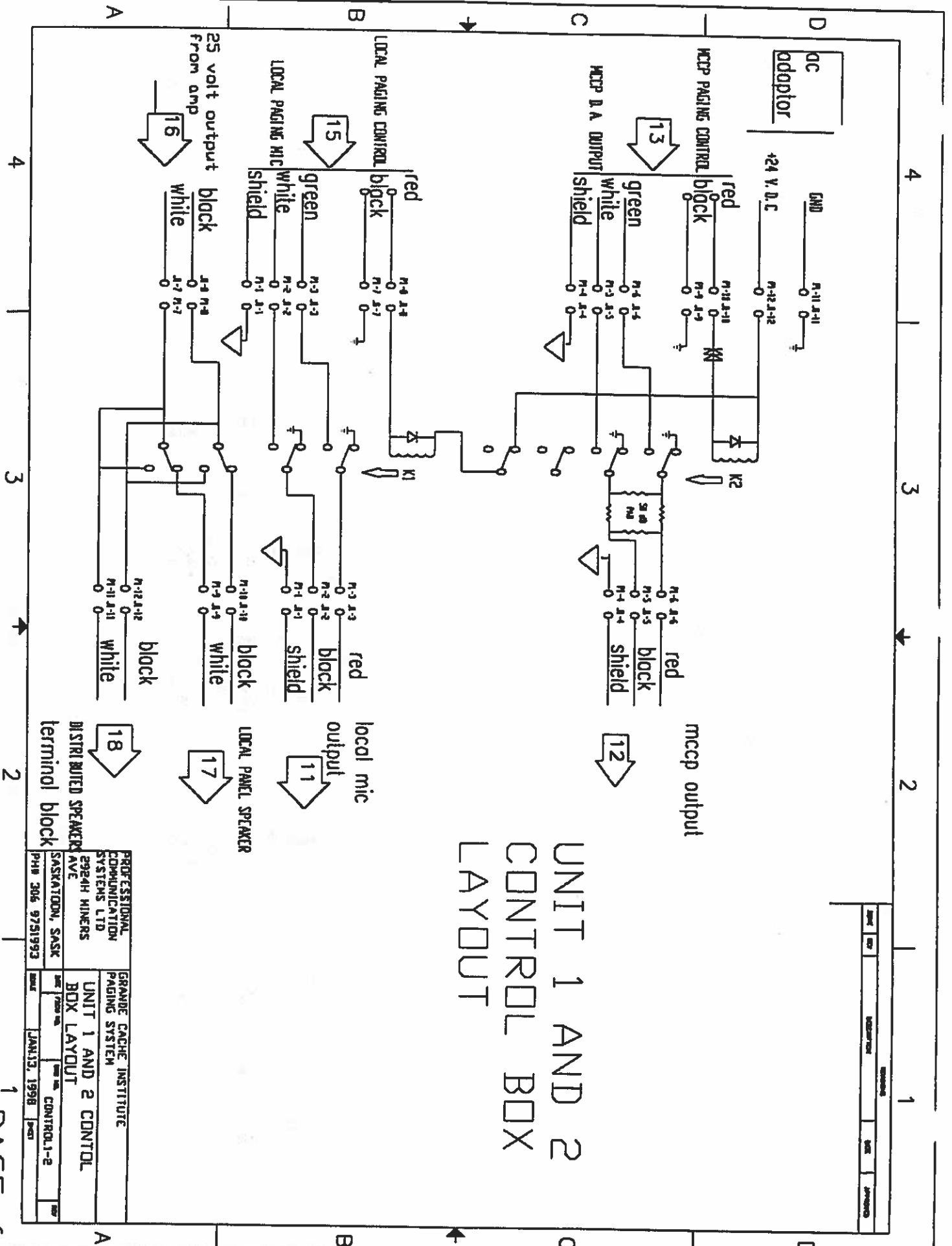


ABOUT TYPE 2 SPLICES & COMPONENT IN PROG./PAGE PANEL

UNIT #2
5 LINES
5 R148 & R149
5 COMMON AREA
TYPE 1 SPLICES located either above cable tray or in programs panel (splice location marked with a green spray painted rectangle)

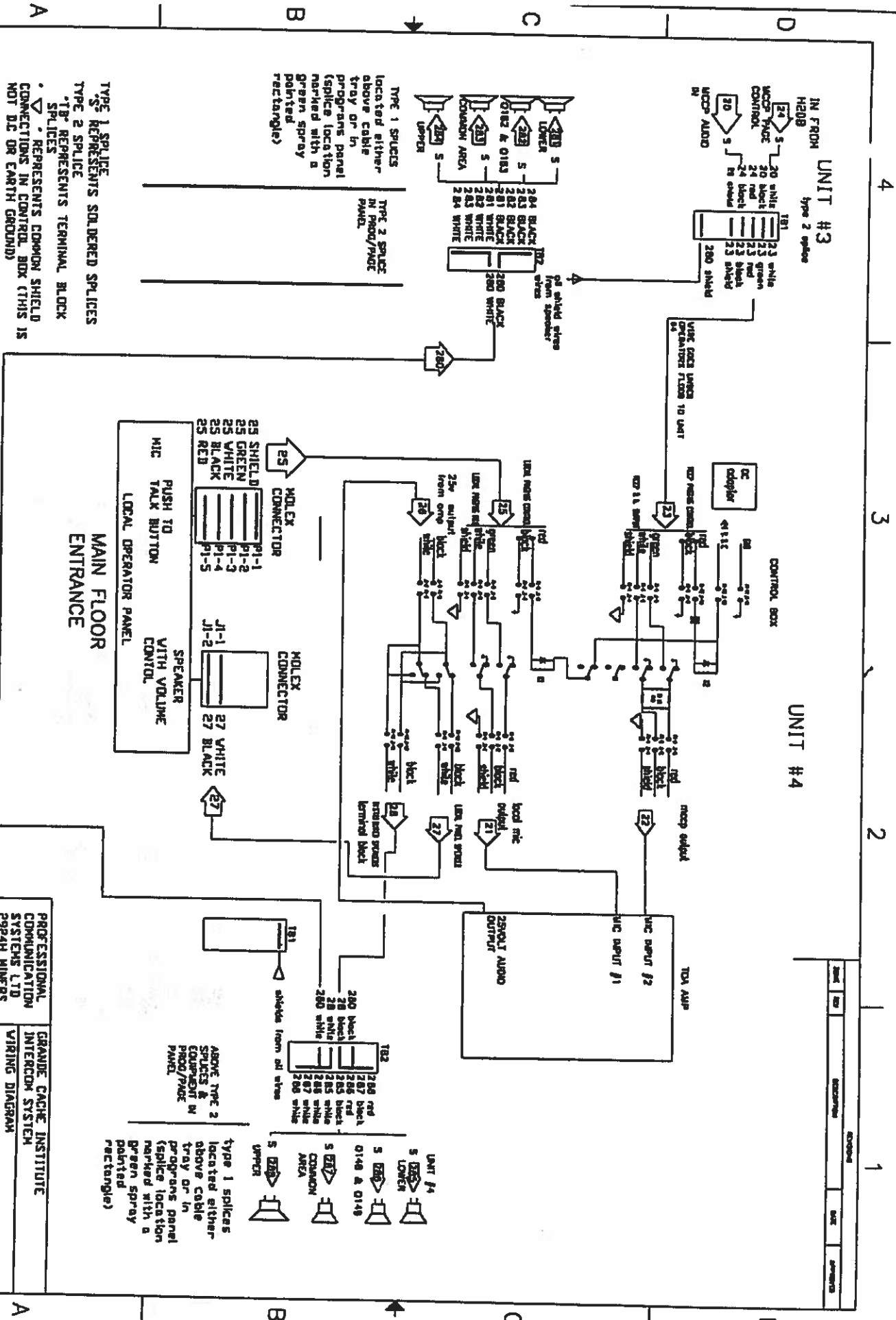
PROFESSIONAL COMMUNICATION SYSTEMS LTD 2924H HINCHERS AVE SASKATOON, SASK PH# 306 9751993	GRANDE CACHE INSTITUTE PAGING SYSTEM WIRING DIAGRAM FOR UNITS 1-2	DATE: JAN. 13, 1998	BY: LACHET-2
--	--	---------------------	--------------

UNIT 1 AND 2 CONTROL BOX LAYOUT



PROFESSIONAL COMMUNICATION SYSTEMS LTD 2984H MINERS AVE SASKATOON, SASK P418 306 9751993	GRANDE CACHE INSTITUTE PAGING SYSTEM UNIT 1 AND 2 CONTROL BOX LAYOUT	DATE: JAN 12, 1998 PAGE: 1
--	---	-------------------------------

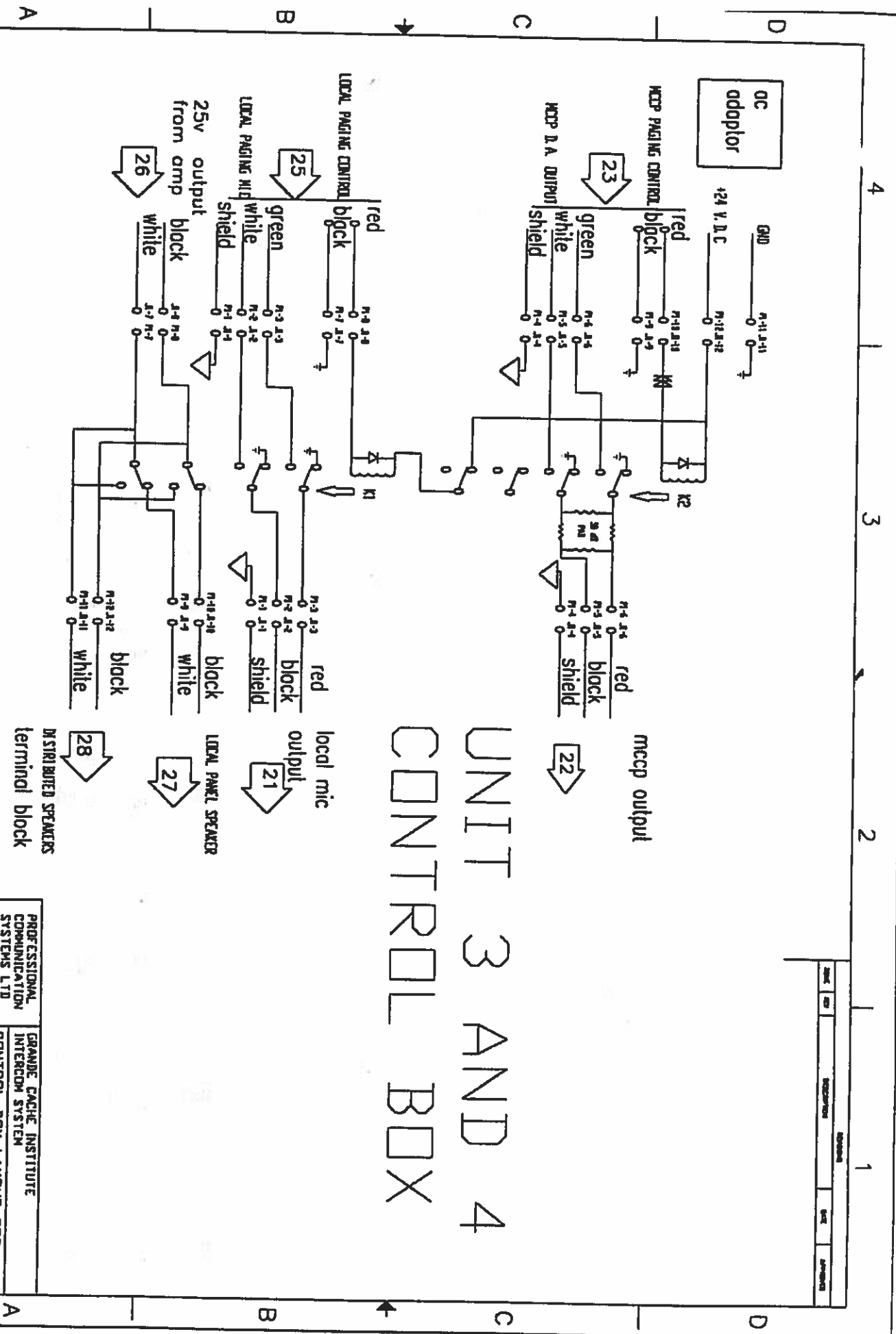
NO.	REV.	DESCRIPTION	DATE	APPROVED



PROFESSIONAL COMMUNICATION SYSTEMS LTD
2924H MINERS AVE
SASKATOON, SASK
PHN 305 9731993

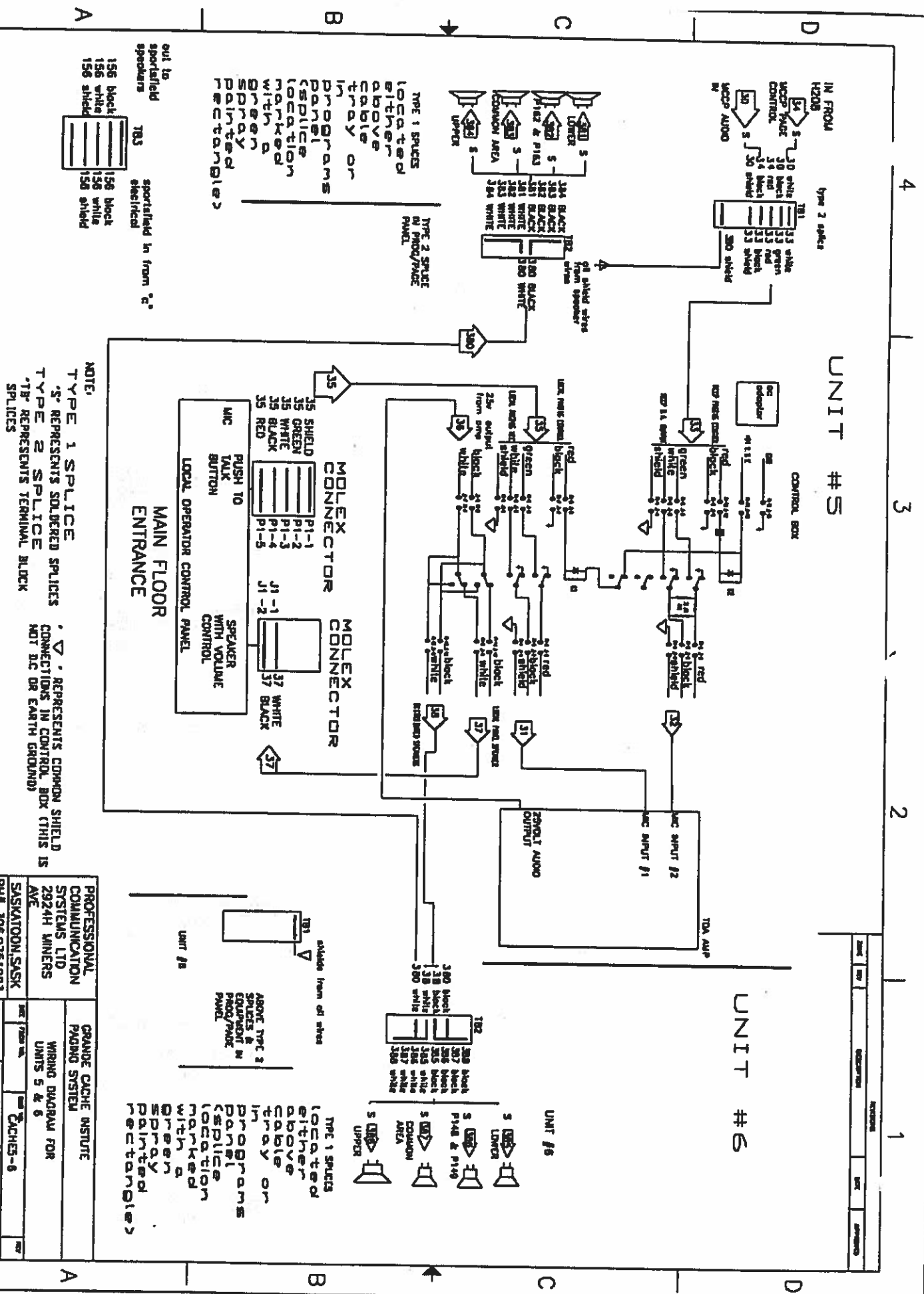
GRAND CAGIE INSTITUTE
INTERCOM SYSTEM
WIRING DIAGRAM
UNITS 3 AND 4
CACHC-3-4
JAN 13, 1998

UNIT 3 AND 4 CONTROL BOX



PROFESSIONAL COMMUNICATION SYSTEMS LTD 2924H MINERS AVE SASKATOON, SASK PH# 306 9751993		GRANDE CACHE INSTITUTE INTERCOM SYSTEM CONTROL BOX LAYOUT FOR UNIT 3 AND 4	
DATE	REVISED	DATE	REVISED
		JAN 13, 1998	

UNIT #5



NOTE:
 TYPE 1 SPLICE
 * REPRESENTS SOLDERED SPLICES
 TYPE 2 SPLICE
 * REPRESENTS TERMINAL BLOCK SPLICES

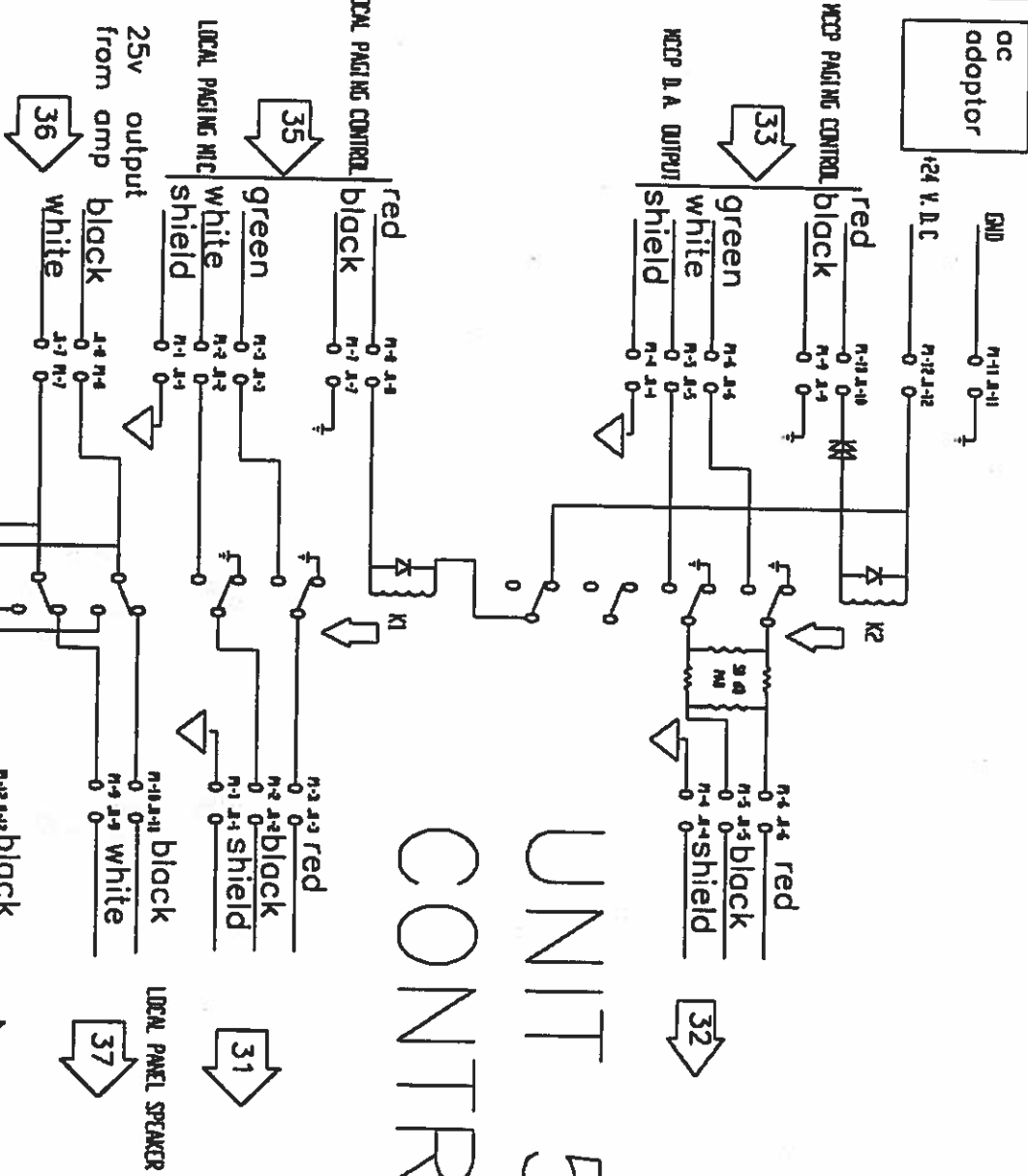
* ∇ * REPRESENTS COMMON SHIELD CONNECTIONS IN CONTROL BOX (THIS IS NOT DC OR EARTH GROUND)

PROFESSIONAL COMMUNICATION SYSTEMS LTD 2924H MINERS AVE SASKATOON, SASK PH/ 306 9751993	GRANDE CACHE INSTITUTE PRIMO SYSTEM WIRING DIAGRAM FOR UNITS 5 & 6 CACHES-6
--	---

CONTROL BOX

DATE	BY	REVISION	DATE	APPROVED

UNIT 5 AND 6 CONTROL BOX



PROFESSIONAL COMMUNICATION SYSTEMS LTD 2924th MINERS AVE SASKATOON, SASK PH# 306 9751993		GRANDE CACHE INSTITUTE PAAGING SYSTEM CONTROL BOX LAYOUT FOR UNIT 5 AND 6	
DATE	BY	DATE	BY
		JUN 13, 1988	

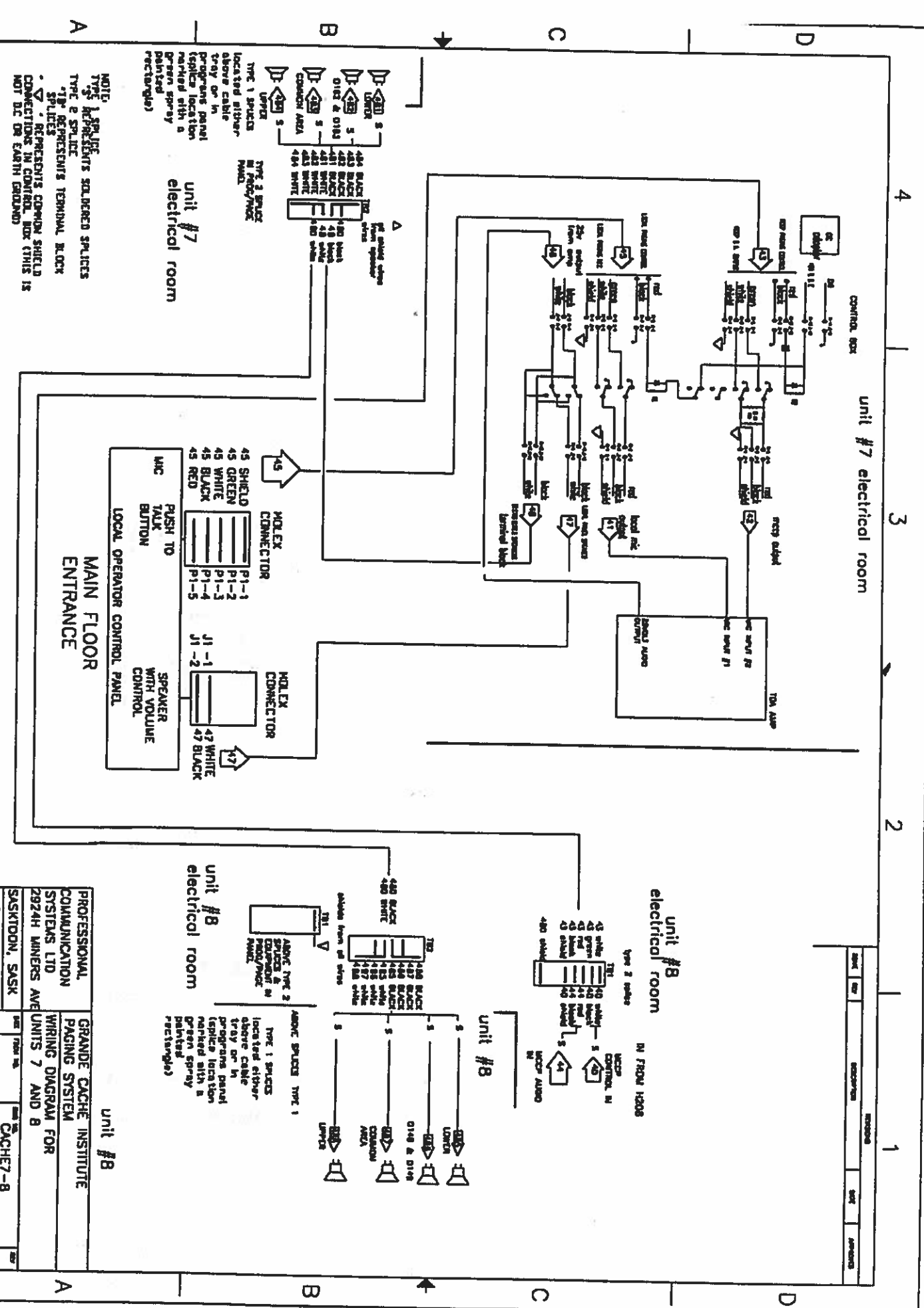
4 3 2 1

unit #7 electrical room

unit #8 electrical room

unit #8 electrical room

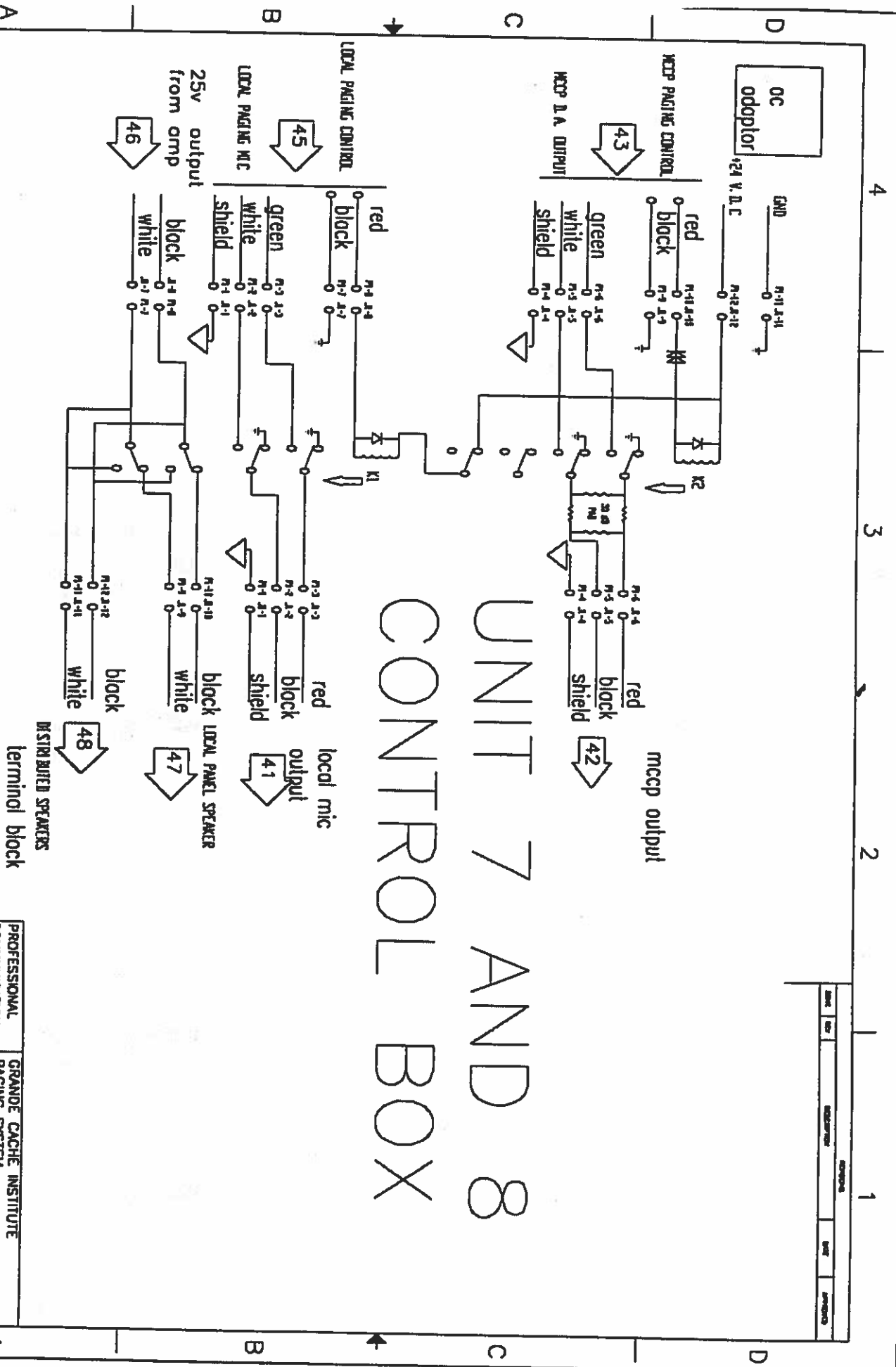
unit #8 electrical room



NOTE:
 TYPE 1 SPLICES
 TYPE 2 SPLICES
 TYPE 3 SPLICES

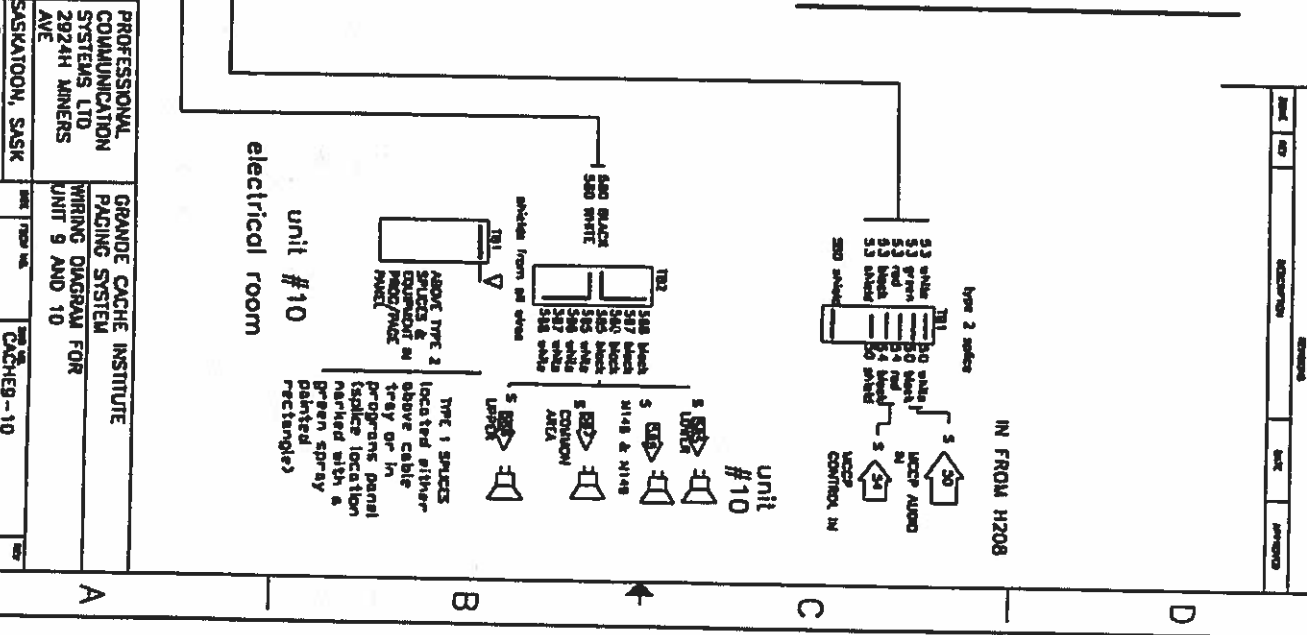
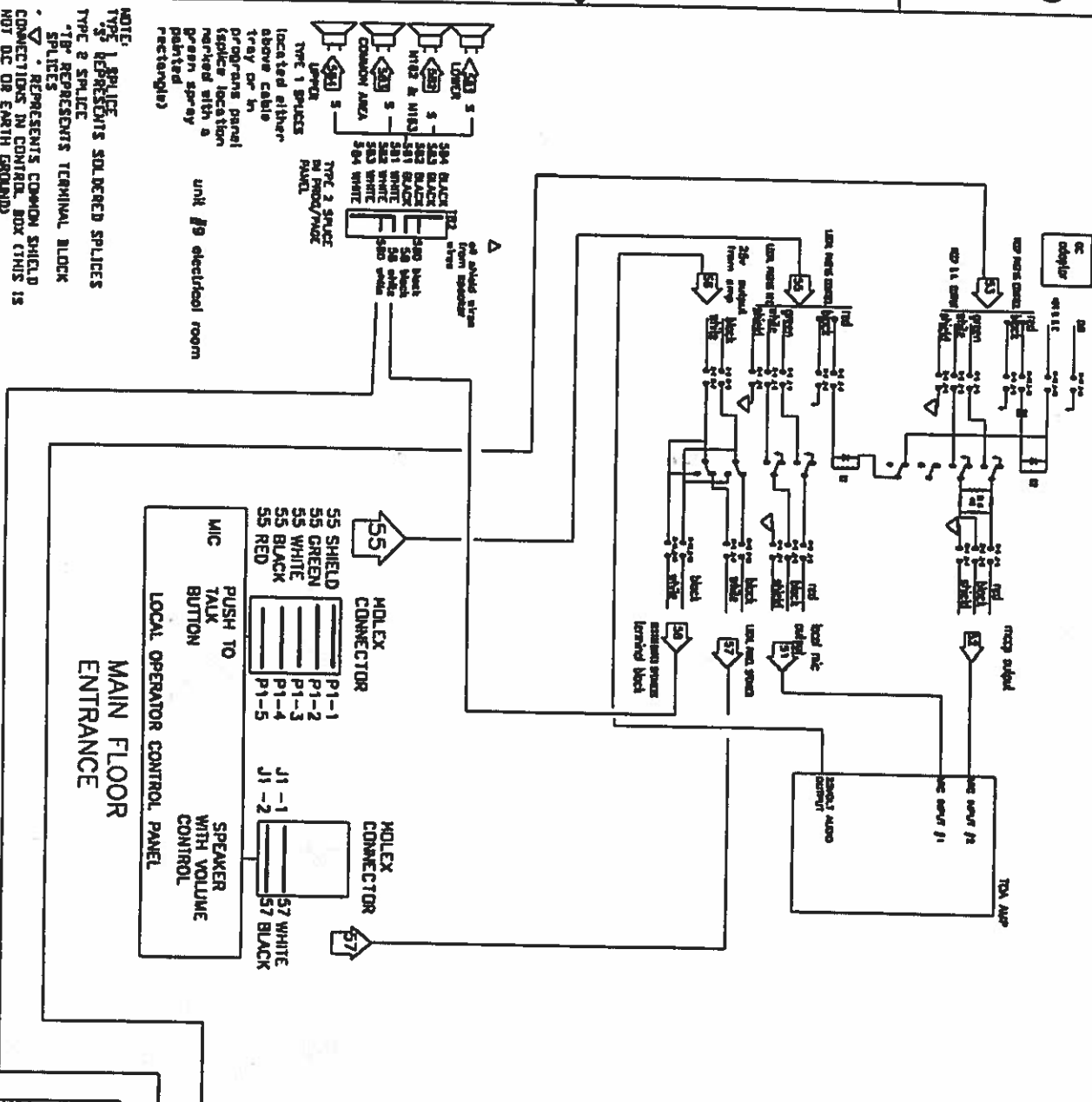
PROFESSIONAL COMMUNICATION SYSTEMS LTD
 2924H MINERS AVE
 SASKATOON, SASK
 PH# 308 97519933
 GRANDE CACHE INSTITUTE
 PAGING SYSTEM
 WIRING DIAGRAM FOR
 UNITS 7 AND 8
 CACHED-8
 JAN 13, 1998

UNIT 7 AND 8 CONTROL BOX



PROFESSIONAL COMMUNICATION SYSTEMS LTD
 2924H MINERS AVE
 SASKATOON, SASK
 PHONE: 306 9751983
 FAX: 306 9751983
 DATE: JAN 13, 1998
 PROJECT: CONTROL 7-8

unit #9 electrical room



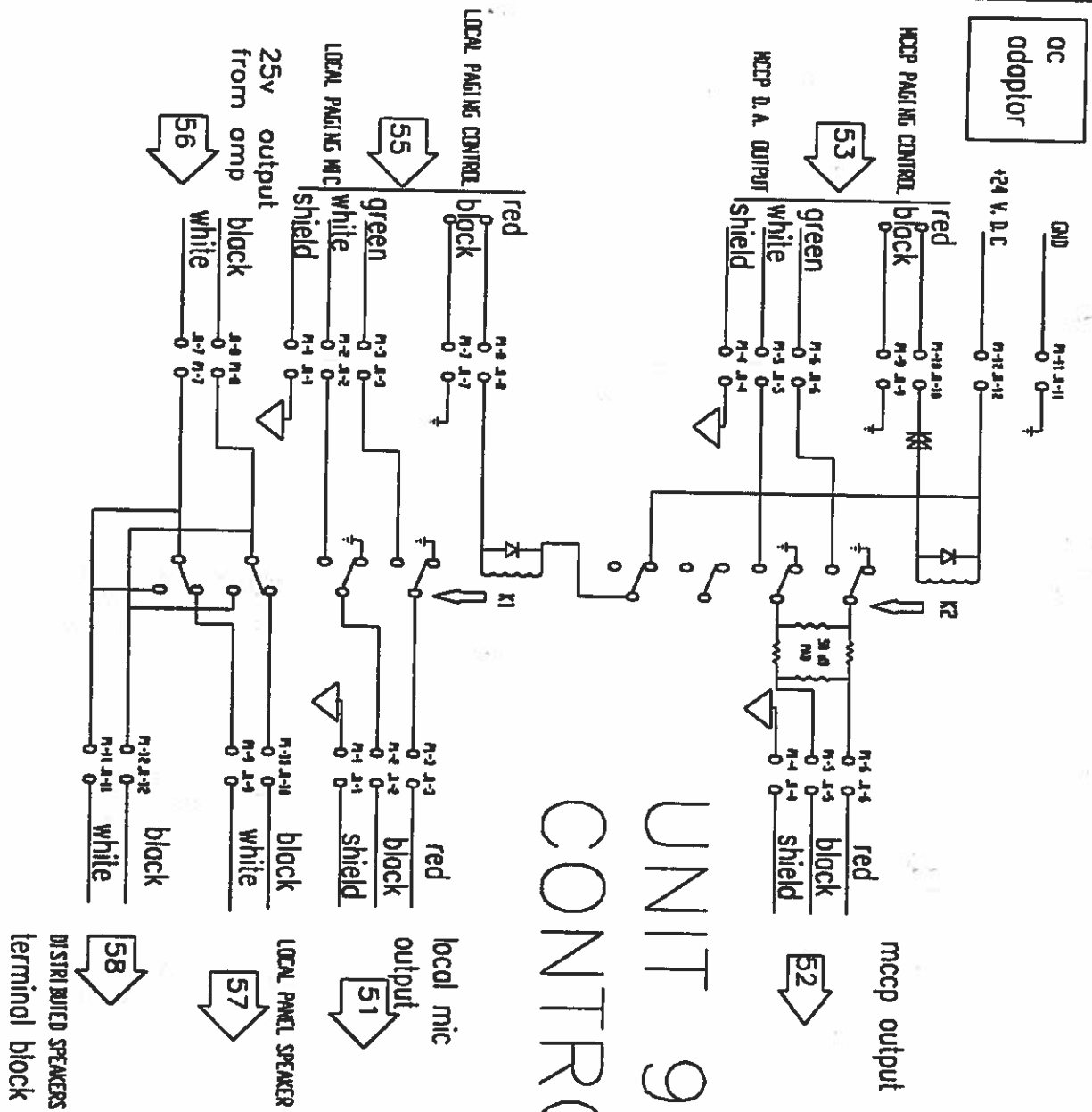
NOTE:
 TYPE 1 SPLICE
 TYPE 2 SPLICE
 TYPE 1 SPLICES SOLDERED SPLICES
 TYPE 2 SPLICE
 -T- REPRESENTS TERMINAL BLOCK
 -V- REPRESENTS COMMON SHIELD
 CONNECTIONS IN CONTROL BOX (THIS IS
 NOT DC OR EARTH GROUND)

NOTE:
 TYPE 1 SPLICE
 TYPE 2 SPLICE
 TYPE 1 SPLICES SOLDERED SPLICES
 TYPE 2 SPLICE
 -T- REPRESENTS TERMINAL BLOCK
 -V- REPRESENTS COMMON SHIELD
 CONNECTIONS IN CONTROL BOX (THIS IS
 NOT DC OR EARTH GROUND)

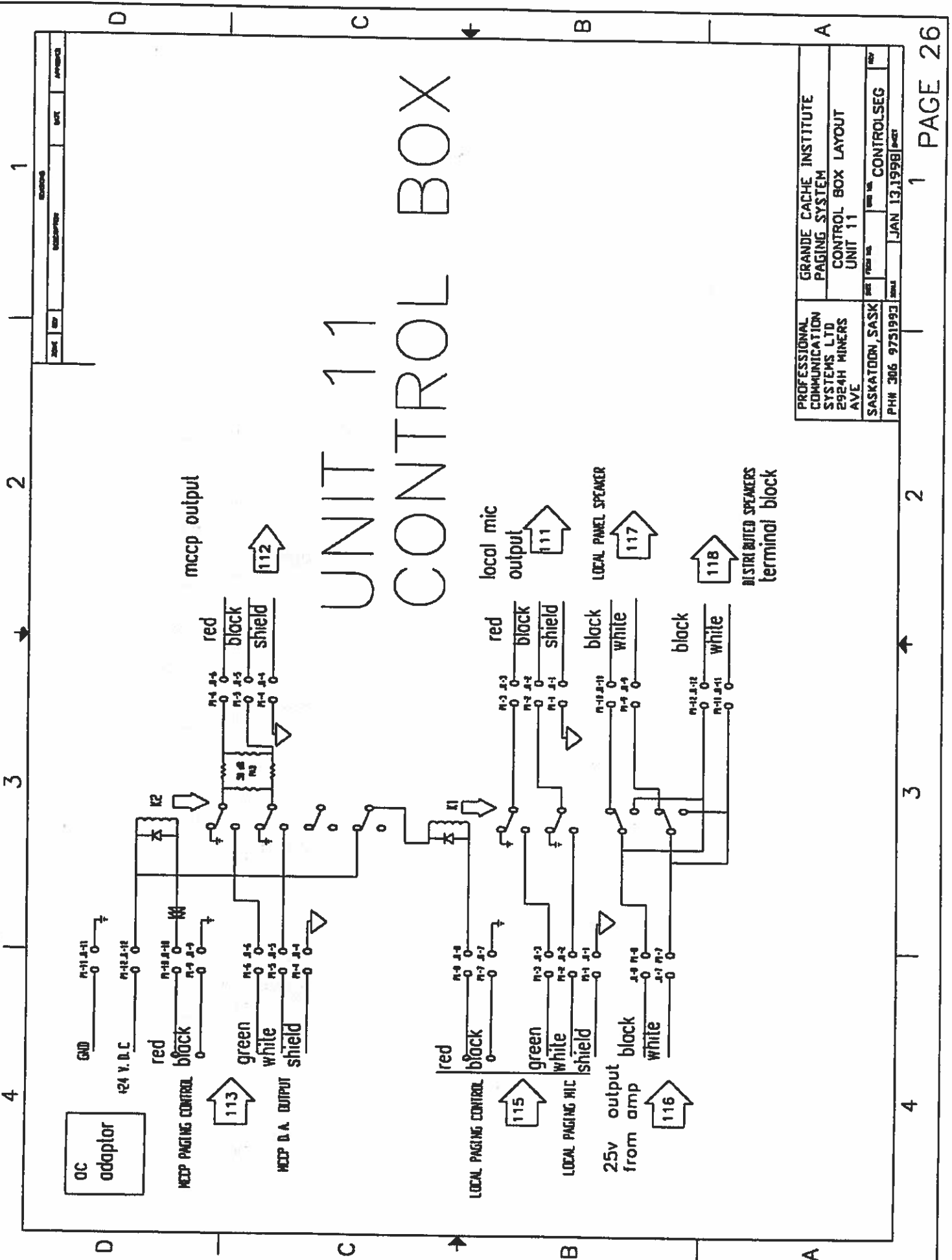
PROFESSIONAL COMMUNICATION SYSTEMS LTD 2824H KIMBERS AVE SASKATOON, SASK PH# 306 9751993	GRAND CACHIE INSTITUTE PAGING SYSTEM WIRING DIAGRAM FOR UNIT 9 AND 10	DATE: JUN 13, 1988	BY: CHACHEG-10
---	--	--------------------	----------------

REV	DATE	BY	CHKD

UNIT 9 AND 10 CONTROL BOX



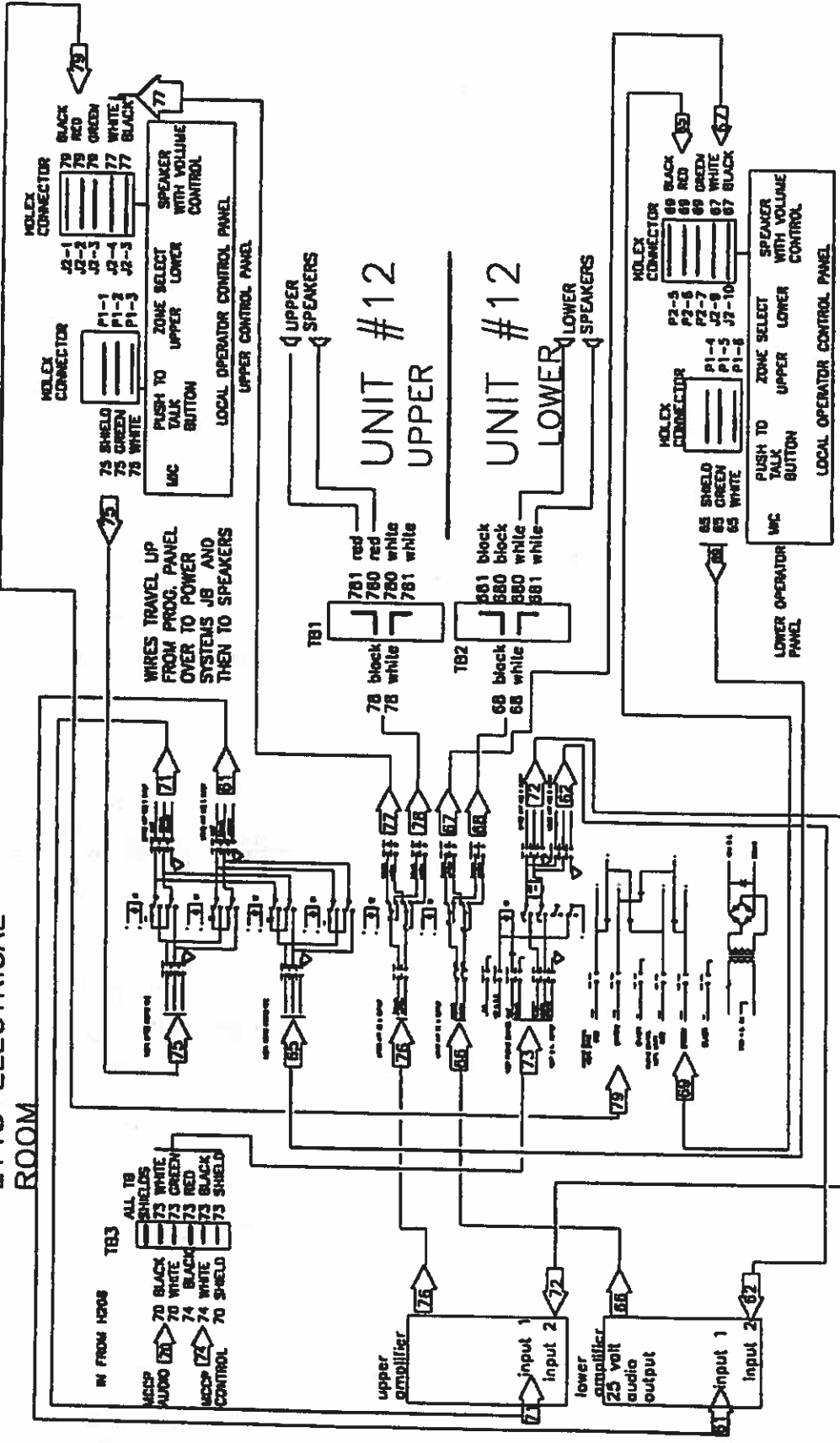
PROFESSIONAL COMMUNICATION SYSTEMS LTD 2924H MINERS AVE SASKATOON, SASK PH# 306 9751993	GRANDE CACHE INSTITUTE PAGING SYSTEM CONTROL BOX LAYOUT FOR UNIT 9 AND 10	DATE 1988 08 10	DATE 1988 08 10	DATE 1988 08 10	DATE 1988 08 10
--	--	-----------------	-----------------	-----------------	-----------------



UNIT 11 CONTROL BOX

PROFESSIONAL COMMUNICATION SYSTEMS LTD 2924H MINERS AVE SASKATOON, SASK S4N 3G6 9751993	DATE: 1993	REV: 1	BY: CONTROLSEG
GRANDE CACHE INSTITUTE PAGING SYSTEM CONTROL BOX LAYOUT UNIT 11	DATE: 1993	REV: 1	BY: CONTROLSEG

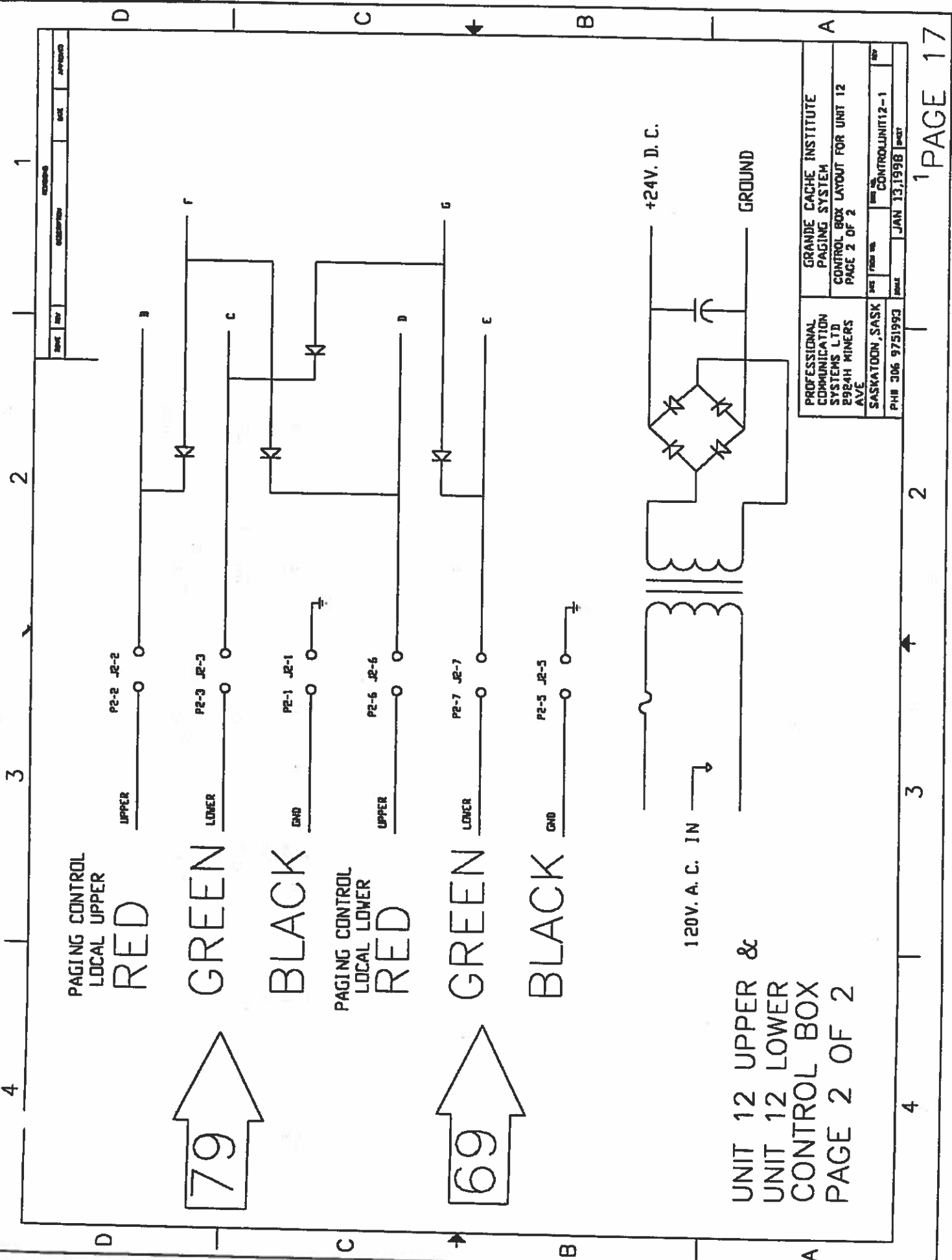
L118 ELECTRICAL ROOM



NOTE
 TYPE 1 SPALICE
 TYPE 2 SPALICE
 TYPE 3 SPALICE
 TYPE 4 SPALICE
 TYPE 5 SPALICE
 TYPE 6 SPALICE
 TYPE 7 SPALICE
 TYPE 8 SPALICE
 TYPE 9 SPALICE
 TYPE 10 SPALICE
 TYPE 11 SPALICE
 TYPE 12 SPALICE
 TYPE 13 SPALICE
 TYPE 14 SPALICE
 TYPE 15 SPALICE
 TYPE 16 SPALICE
 TYPE 17 SPALICE
 TYPE 18 SPALICE
 TYPE 19 SPALICE
 TYPE 20 SPALICE
 TYPE 21 SPALICE
 TYPE 22 SPALICE
 TYPE 23 SPALICE
 TYPE 24 SPALICE
 TYPE 25 SPALICE
 TYPE 26 SPALICE
 TYPE 27 SPALICE
 TYPE 28 SPALICE
 TYPE 29 SPALICE
 TYPE 30 SPALICE
 TYPE 31 SPALICE
 TYPE 32 SPALICE
 TYPE 33 SPALICE
 TYPE 34 SPALICE
 TYPE 35 SPALICE
 TYPE 36 SPALICE
 TYPE 37 SPALICE
 TYPE 38 SPALICE
 TYPE 39 SPALICE
 TYPE 40 SPALICE
 TYPE 41 SPALICE
 TYPE 42 SPALICE
 TYPE 43 SPALICE
 TYPE 44 SPALICE
 TYPE 45 SPALICE
 TYPE 46 SPALICE
 TYPE 47 SPALICE
 TYPE 48 SPALICE
 TYPE 49 SPALICE
 TYPE 50 SPALICE
 TYPE 51 SPALICE
 TYPE 52 SPALICE
 TYPE 53 SPALICE
 TYPE 54 SPALICE
 TYPE 55 SPALICE
 TYPE 56 SPALICE
 TYPE 57 SPALICE
 TYPE 58 SPALICE
 TYPE 59 SPALICE
 TYPE 60 SPALICE
 TYPE 61 SPALICE
 TYPE 62 SPALICE
 TYPE 63 SPALICE
 TYPE 64 SPALICE
 TYPE 65 SPALICE
 TYPE 66 SPALICE
 TYPE 67 SPALICE
 TYPE 68 SPALICE
 TYPE 69 SPALICE
 TYPE 70 SPALICE
 TYPE 71 SPALICE
 TYPE 72 SPALICE
 TYPE 73 SPALICE
 TYPE 74 SPALICE
 TYPE 75 SPALICE
 TYPE 76 SPALICE
 TYPE 77 SPALICE
 TYPE 78 SPALICE
 TYPE 79 SPALICE
 TYPE 80 SPALICE
 TYPE 81 SPALICE
 TYPE 82 SPALICE
 TYPE 83 SPALICE
 TYPE 84 SPALICE
 TYPE 85 SPALICE
 TYPE 86 SPALICE
 TYPE 87 SPALICE
 TYPE 88 SPALICE
 TYPE 89 SPALICE
 TYPE 90 SPALICE
 TYPE 91 SPALICE
 TYPE 92 SPALICE
 TYPE 93 SPALICE
 TYPE 94 SPALICE
 TYPE 95 SPALICE
 TYPE 96 SPALICE
 TYPE 97 SPALICE
 TYPE 98 SPALICE
 TYPE 99 SPALICE
 TYPE 100 SPALICE

oil splices type 2 located in programs panel - amplifiers and control box mounted on brackets bolted to concrete wall on lower corner of room

PROFESSIONAL COMMUNICATION SYSTEMS LTD 8924H MINERS AVE SASKATOON, SASK PH# 306 9751993	GRANDE CACHE INSTITUTE PAGING SYSTEM WIRING DIAGRAM FOR MCCP OPERATORS PANEL UNIT #12	DATE JAN 13 1998	DRAWN BY CACHEUNIT12
--	--	---------------------	-------------------------



PAGING CONTROL
LOCAL UPPER

RED

GREEN

BLACK

PAGING CONTROL
LOCAL LOWER

RED

GREEN

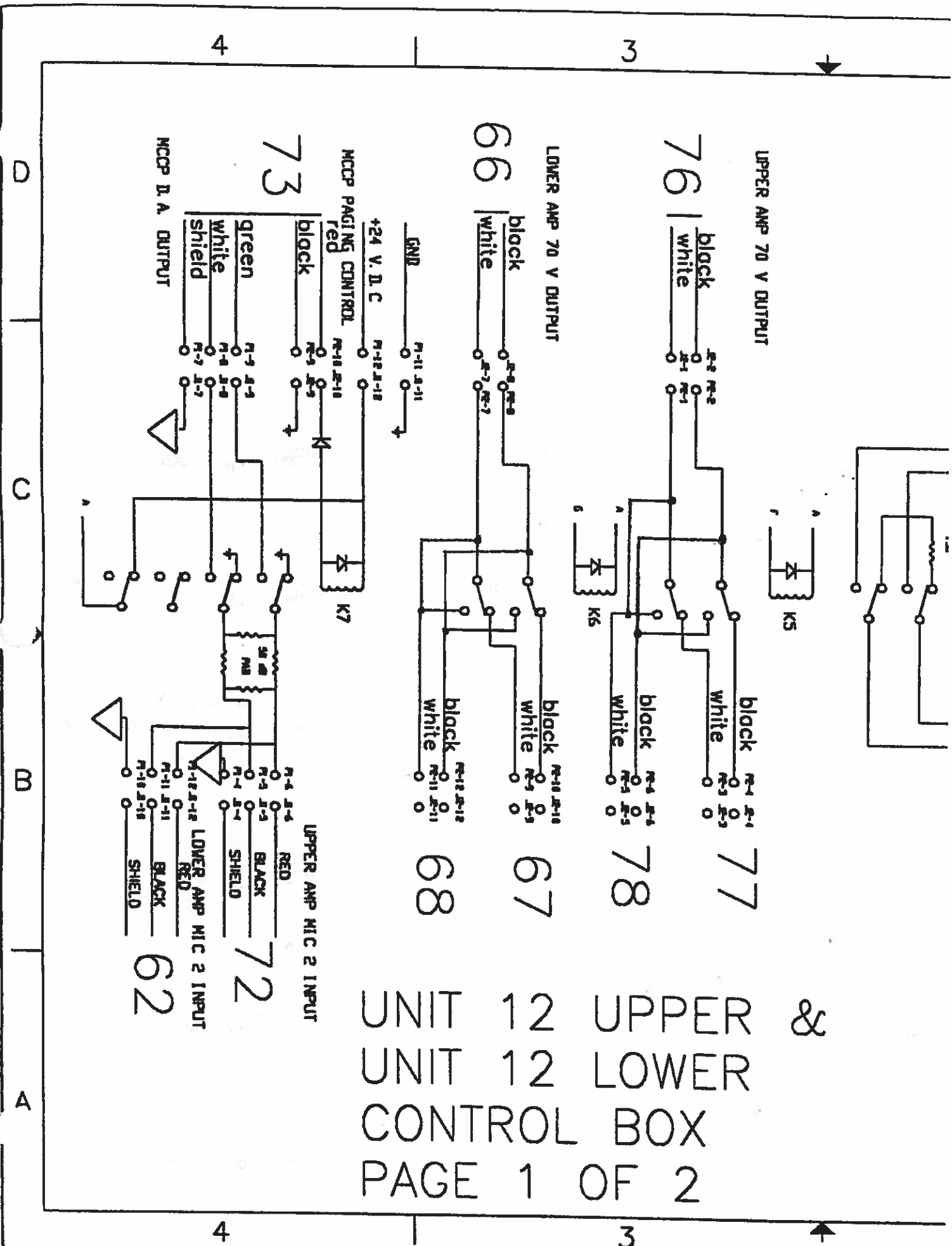
BLACK

120V. A. C. IN

+24V. D. C.

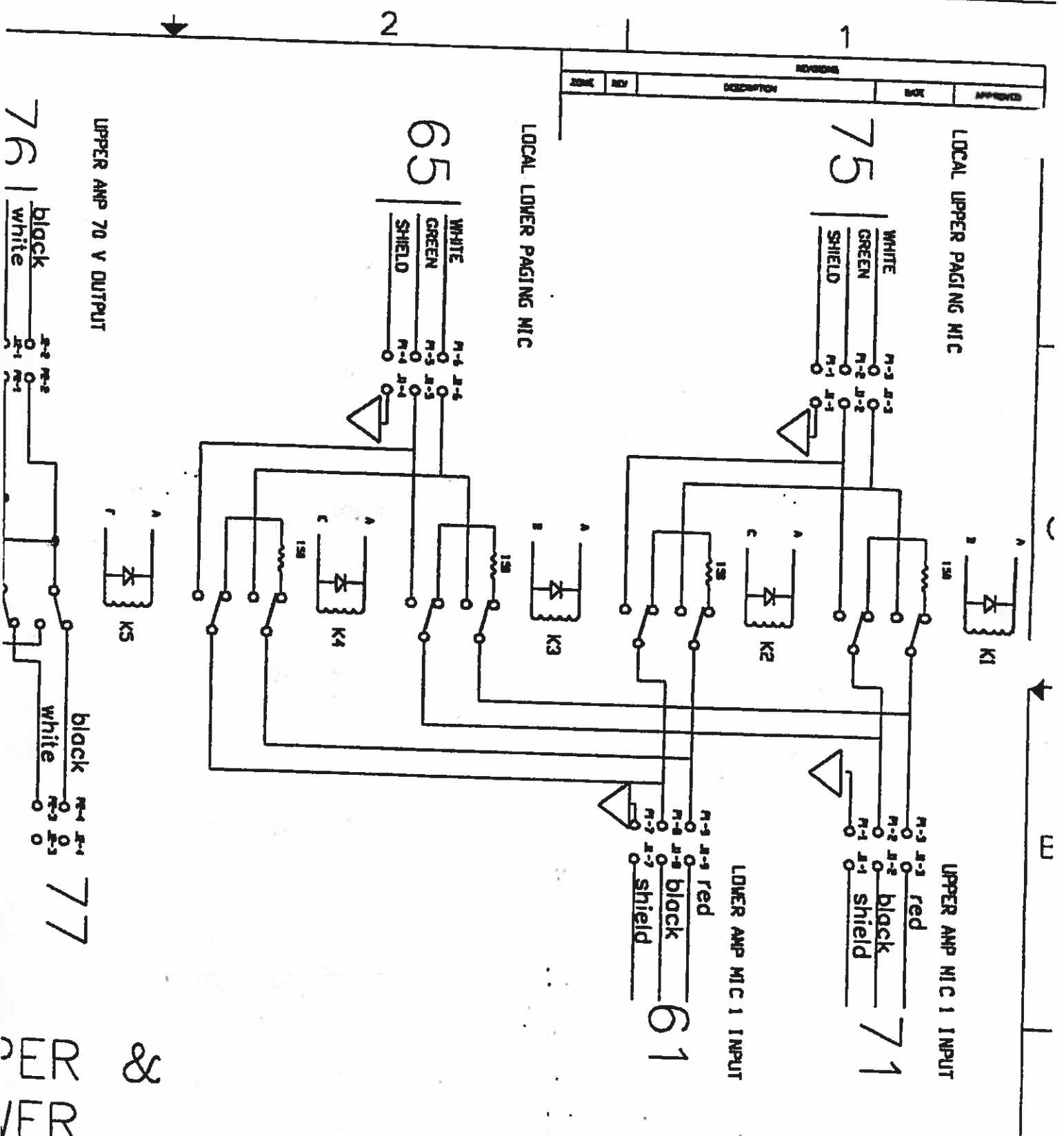
UNIT 12 UPPER &
UNIT 12 LOWER
CONTROL BOX
PAGE 2 OF 2

PROFESSIONAL COMMUNICATION SYSTEMS LTD 2924H MINERS AVE SASKATOON, SASK		GRANDE CACHE INSTITUTE PAGING SYSTEM CONTROL BOX LAYOUT FOR UNIT 12 PAGE 2 OF 2	
DATE	REVISED BY	DATE	REVISED BY
PHB 306 9751993		JAN 13, 1998	CONTR/JUNIT12-1



UNIT 12 UPPER &
 UNIT 12 LOWER
 CONTROL BOX
 PAGE 1 OF 2

DATE	REV	DESCRIPTION	BY	APPROVED



TER &
 TER
 X
 2

PROFESSIONAL COMMUNICATION SYSTEMS LTD 2924H MINERS AVE SASKATOON, SASK PH# 306 9751993	GRANDE CACHE INSTITUTE PAGING SYSTEM		
	CONTROL BOX LAYOUT UNIT 12		
SASKATOON, SASK PH# 306 9751993	DATE: 1998	DRAWN BY: CONTROLUNIT12	CHECKED BY: DATE: 1998