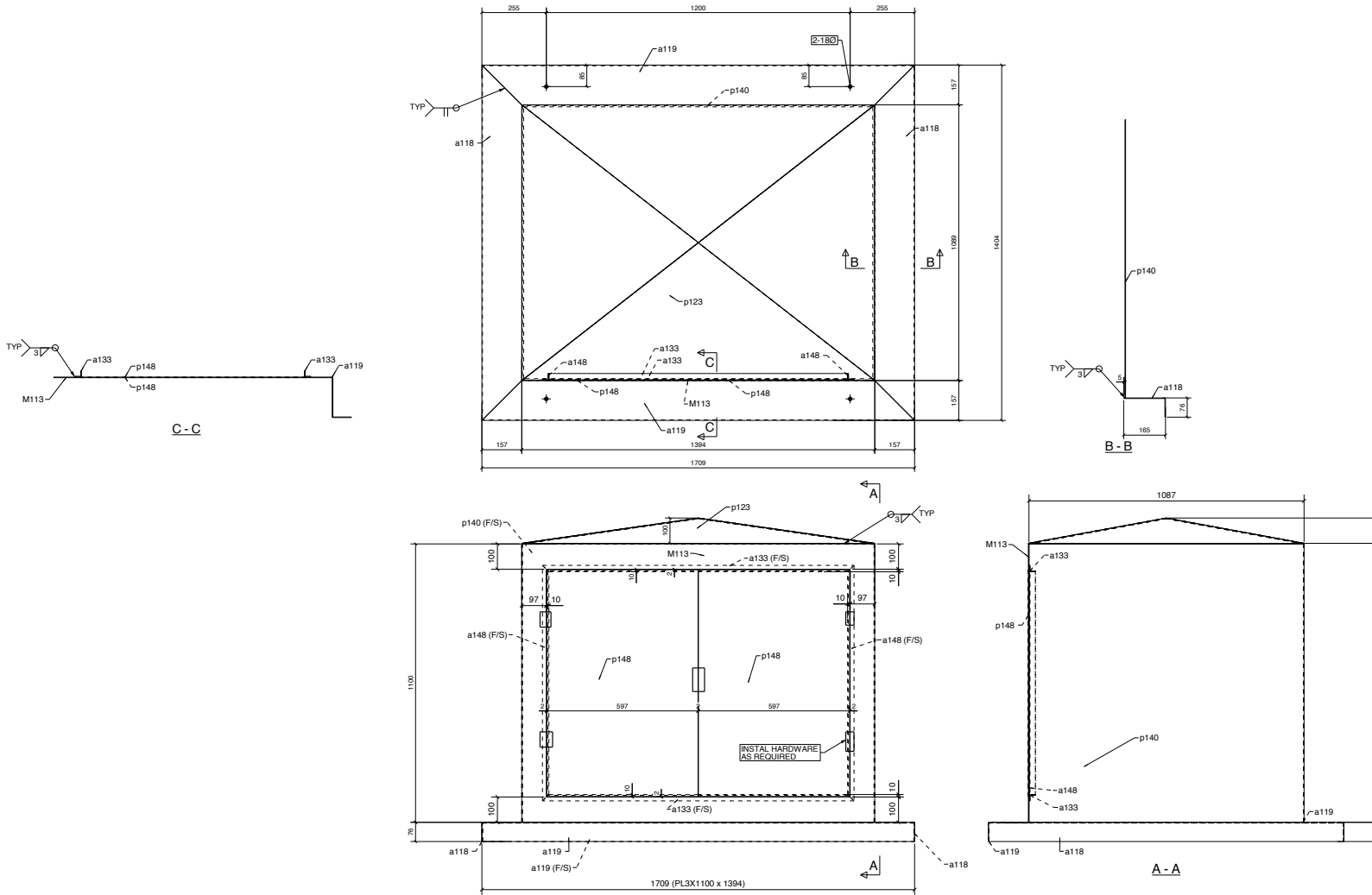


GRID LOCATION	ELEVATION	PHASE	QTY
E.D.S.	+1.100	1	1

BILL OF MATERIAL					
MARK	QTY	DESCRIPTION	LENGTH	WEIGHT	REMARKS
M113	1	PUMP COVER			SD-2
M113	1	PL3X1100	1394	8.9	304 SS
a118	2	L165X76X2.5	1404	12.1	304 SS
a119	2	L165X76X2.5	1709	14.9	304 SS
a133	2	L25X25X3.2	1231	2.9	304 SS
a148	2	L25X25X3.2	931	2.2	304 SS
p123	1	PL3X1072	1595	30.2	304 SS
p140	1	PL3X1100	3557	76.9	304 SS
p148	2	PL3X97	896	21.0	304 SS
TOTAL WEIGHT THIS DRAWING				169.1	



ONE PUMP COVER REQ'D AS DRAWN MK M113  
PAINT: STAINLESS STEEL

Mk.	For Approval	Date	By	VAR#
A	For Approval	09/19/2014	FK	
	Details of Revisions			

APPROVER NOTE:  
VERIFICATION & CONFIRMATION OF DETAILS, DIMENSIONS, IF CLOUDED ON THIS DRAWING, ARE TO BE CONFIRMED BY THE ENGINEER OR ARCHITECT. CLOUDED ITEMS WILL BE ASSUMED AS BEING CORRECT AND BUILT ACCORDINGLY, UNLESS NOTED OTHERWISE BY THE APPROVER.

**EXACT**  
EXACT STEEL DETAILING LTD.

**ALL METALS INSTALLATION LTD.**  
5357 Lost Lake Road, Nanaimo, BC V9T 5E7  
Phone: (250) 244-3788 Fax: (250) 244-1638  
e-mail: allmetals@shaw.ca

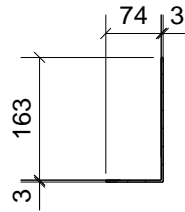
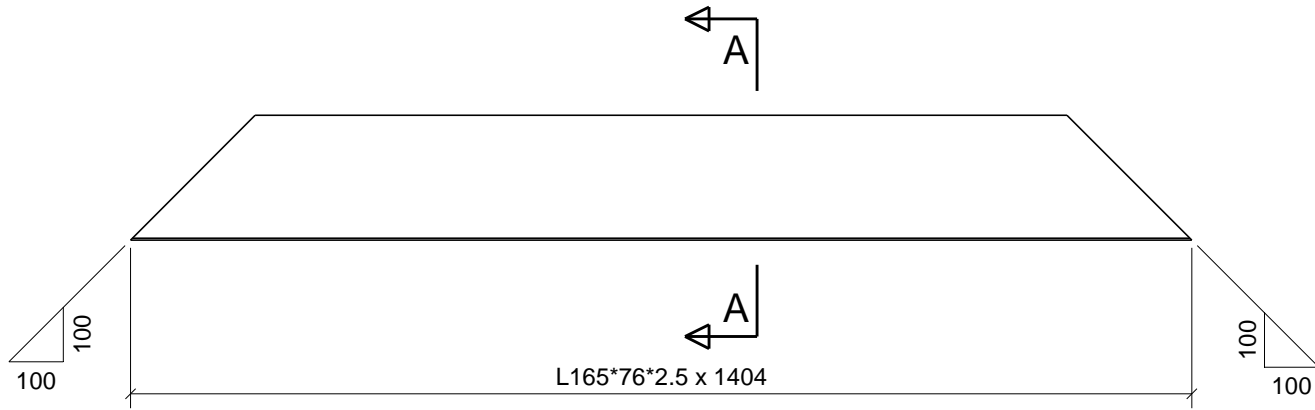
**EXACT STEEL DETAILING LTD. PH: 250 590 5244**

DO NOT SCALE - IF IN DOUBT ASK	
Modeled By: FK	Date: 19.09.2014
Edited By: FK	Checked By: FK
Surf. Prep:	Welds:
ENGINEERING REF.	Holes: 210
MARKING PLAN REF.	Bolts: 190
Scale(s): 1:8	

Project Name:	TRANSMITTAL#	Exact Proj. #	Client Project #
<b>CFS HOLBERG</b>		2014-062	
Address: <b>BRITISH COLUMBIA</b>		Drawing Number	Revision
<b>PUMP COVER</b>		<b>M113</b>	<b>A</b>

QTY	IN ASSY
2	M113

QTY	PHASE
2	1

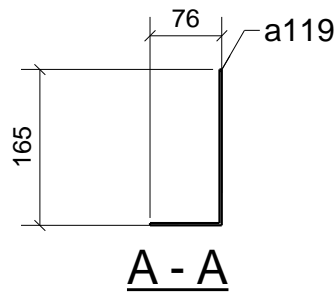
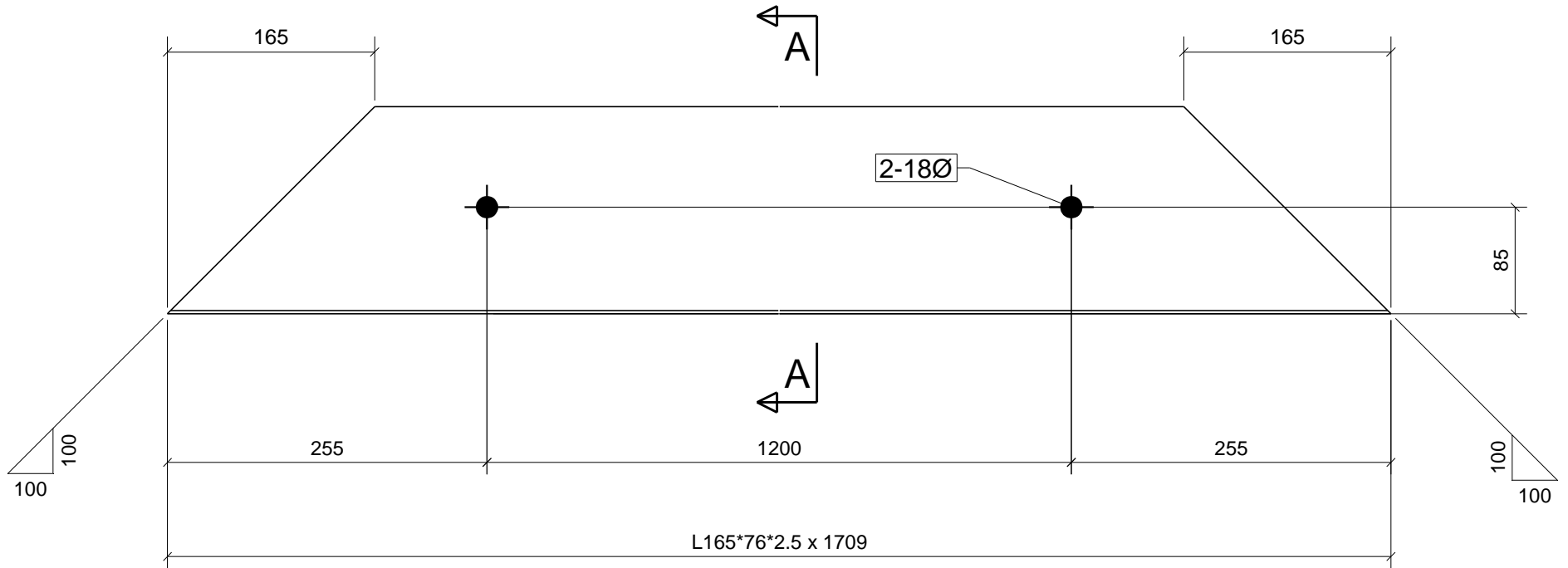


A - A

			a118	2	L165X76X2.5	1404	304 SS	
			MARK	QTY	PROFILE	LENGTH	MATERIAL	FINISH
			DWG BY: FK			PROJECT:		CONTRACT NO
			CHK BY: FK			CFS HOLBERG		
			DATE:09/19/2014			BRITISH COLUMBIA		
A	For Approval	09/19/2014				EXACT STEEL DETAILING LTD. PH: 250 590 5244		PART MARK
REV	DESCRIPTION	DATE						a118
								REV. A

QTY	IN ASSY
2	M113

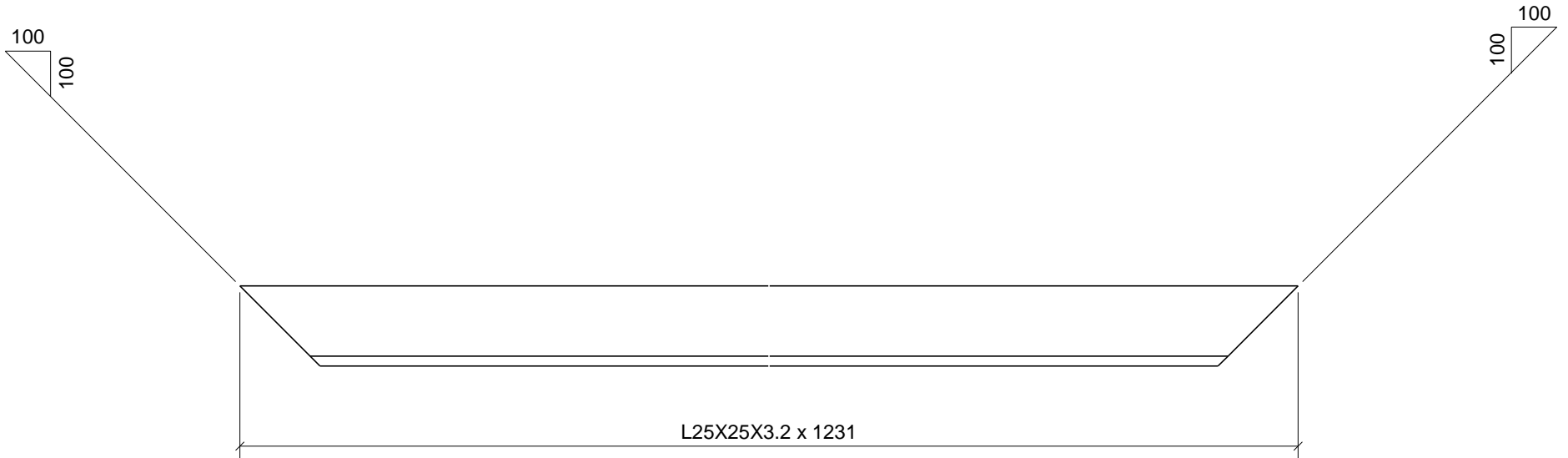
QTY	PHASE
2	1



			a119	2	L165X76X2.5	1709	304 SS	
			MARK	QTY	PROFILE	LENGTH	MATERIAL	FINISH
			PROJECT:			TRANSMITTAL#		CONTRACT NO
			DWG BY: FK			CFS HOLBERG BRITISH COLUMBIA		PART MARK a119
			CHK BY: FK					
A	For Approval	09/19/2014	DATE:09/19/2014			EXACT STEEL DETAILING LTD. PH: 250 590 5244		REV. A
REV	DESCRIPTION	DATE						

QTY	IN ASSY
2	M113

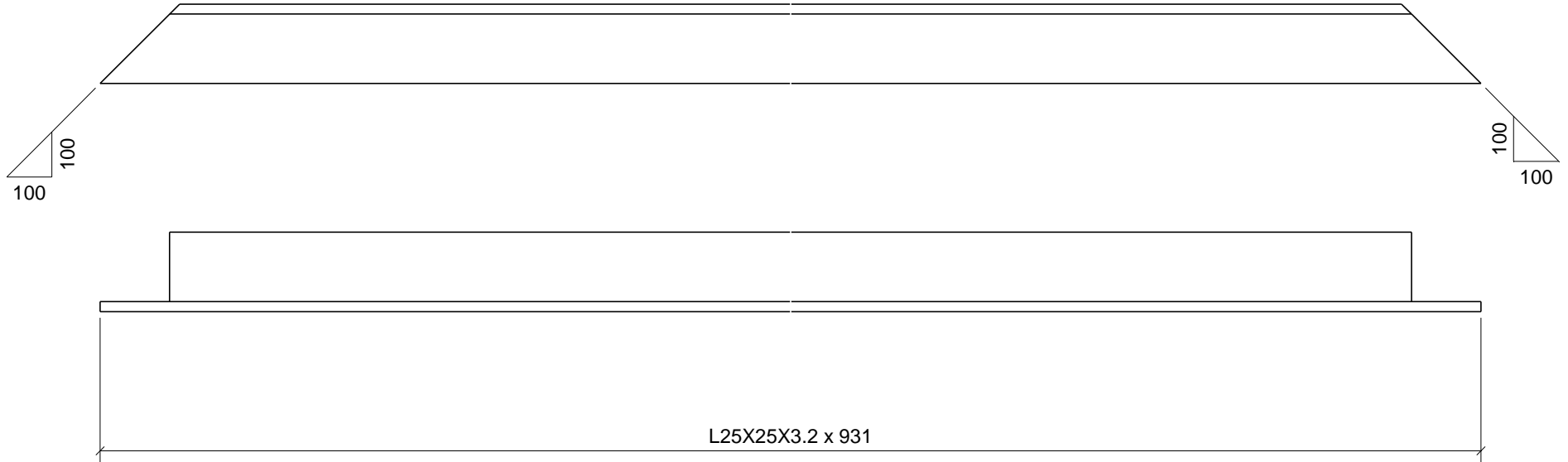
QTY	PHASE
2	1



			a133	2	L25X25X3.2	1231	304 SS		
			MARK	QTY	PROFILE	LENGTH	MATERIAL	FINISH	
			DWG BY: FK			PROJECT: <b>CFS HOLBERG</b> BRITISH COLUMBIA	TRANSMITTAL#	CONTRACT NO	
			CHK BY: FK					PART MARK	REV.
A	For Approval	09/19/2014	DATE:09/19/2014			EXACT STEEL DETAILING LTD. PH: 250 590 5244		a133	A
REV	DESCRIPTION	DATE							

QTY	IN ASSY
2	M113

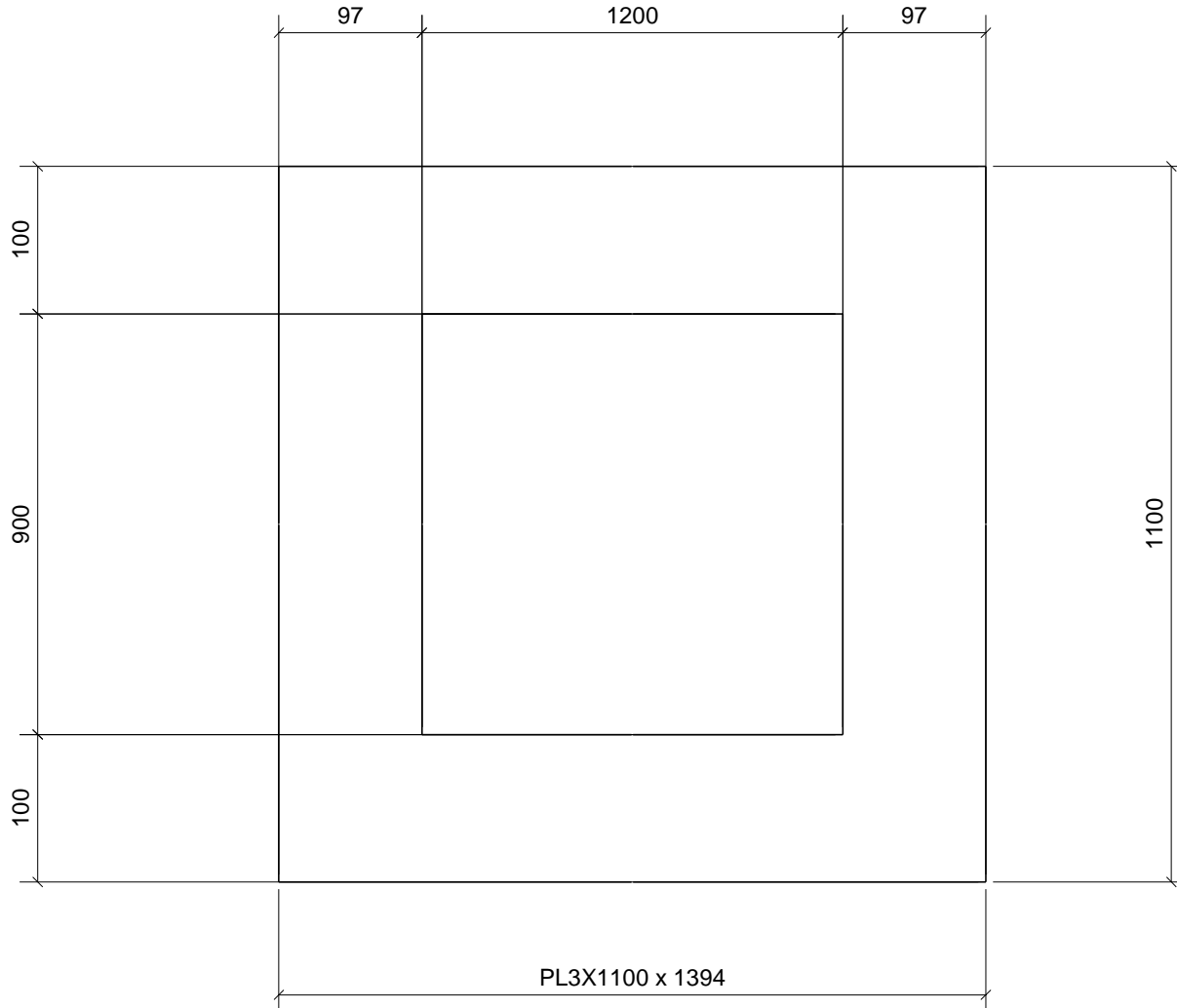
QTY	PHASE
2	1



			a148	2	L25X25X3.2	931	304 SS	
			MARK	QTY	PROFILE	LENGTH	MATERIAL	FINISH
			DWG BY: FK			PROJECT:		CONTRACT NO
			CHK BY: FK			CFS HOLBERG		
			DATE:09/19/2014			BRITISH COLUMBIA		
A	For Approval	09/19/2014				EXACT STEEL DETAILING LTD. PH: 250 590 5244		PART MARK
REV	DESCRIPTION	DATE						a148
								REV. A

QTY	IN ASSY
1	M113

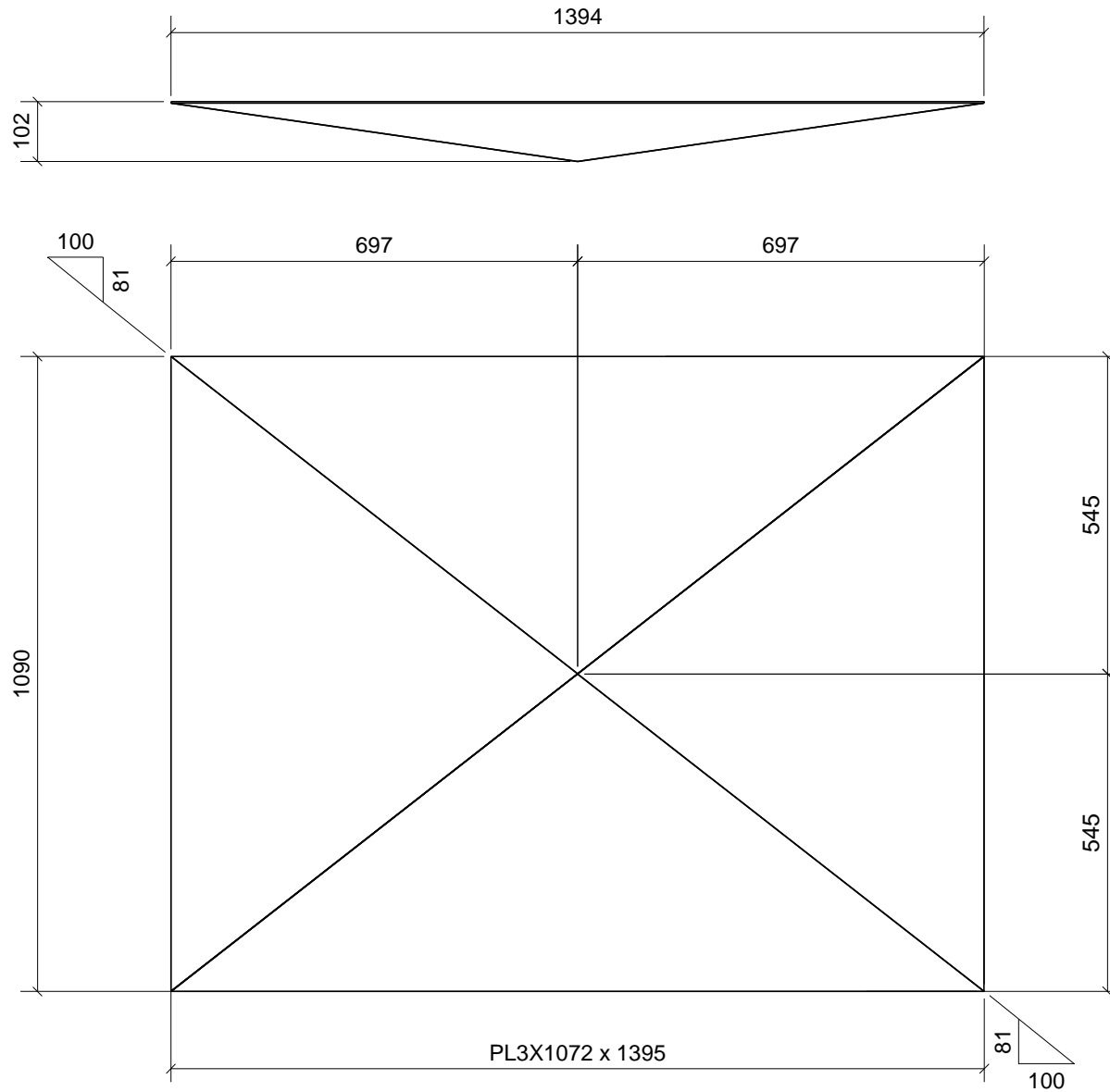
QTY	PHASE
1	1



			M113	1	PL3X1100	1394	304 SS	
			MARK	QTY	PROFILE	LENGTH	MATERIAL	FINISH
			DWG BY: FK			PROJECT:		CONTRACT NO
			CHK BY: FK			CFS HOLBERG BRITISH COLUMBIA		PART MARK
A	For Approval	09/19/2014	DATE:09/19/2014					REVISION
REV	DESCRIPTION	DATE	EXACT STEEL DETAILING LTD. PH: 250 590 5244			PART MARK	M113	REV. A

QTY	IN ASSY
1	M113

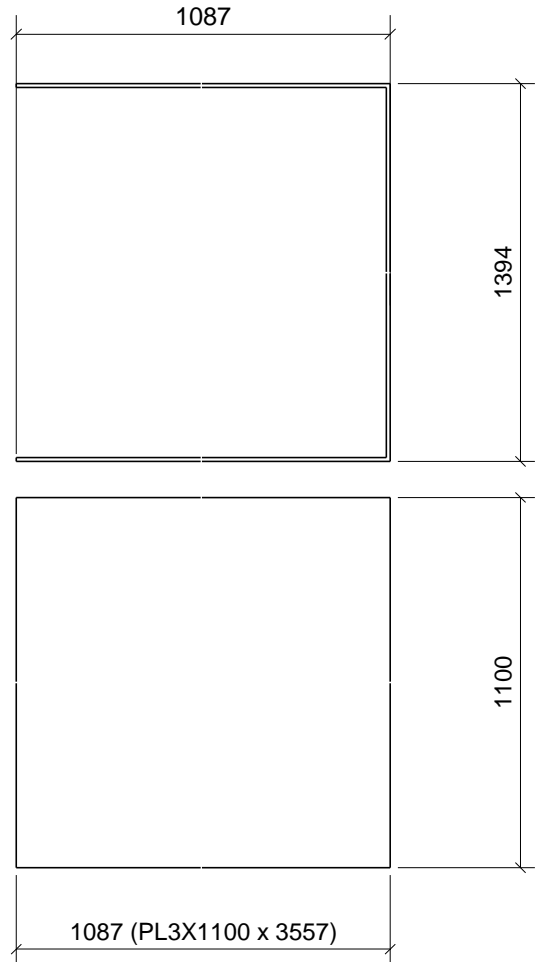
QTY	PHASE
1	1



			p123	1	PL3X1072	1395	304 SS	
			MARK	QTY	PROFILE	LENGTH	MATERIAL	FINISH
			DWG BY: FK			PROJECT:	TRANSMITTAL#	CONTRACT NO
			CHK BY: FK					
A	For Approval	09/19/2014	DATE:09/19/2014			EXACT STEEL DETAILING LTD. PH: 250 590 5244	PART MARK	REV.
REV	DESCRIPTION	DATE					p123	A

QTY	IN ASSY
1	M113

QTY	PHASE
1	1

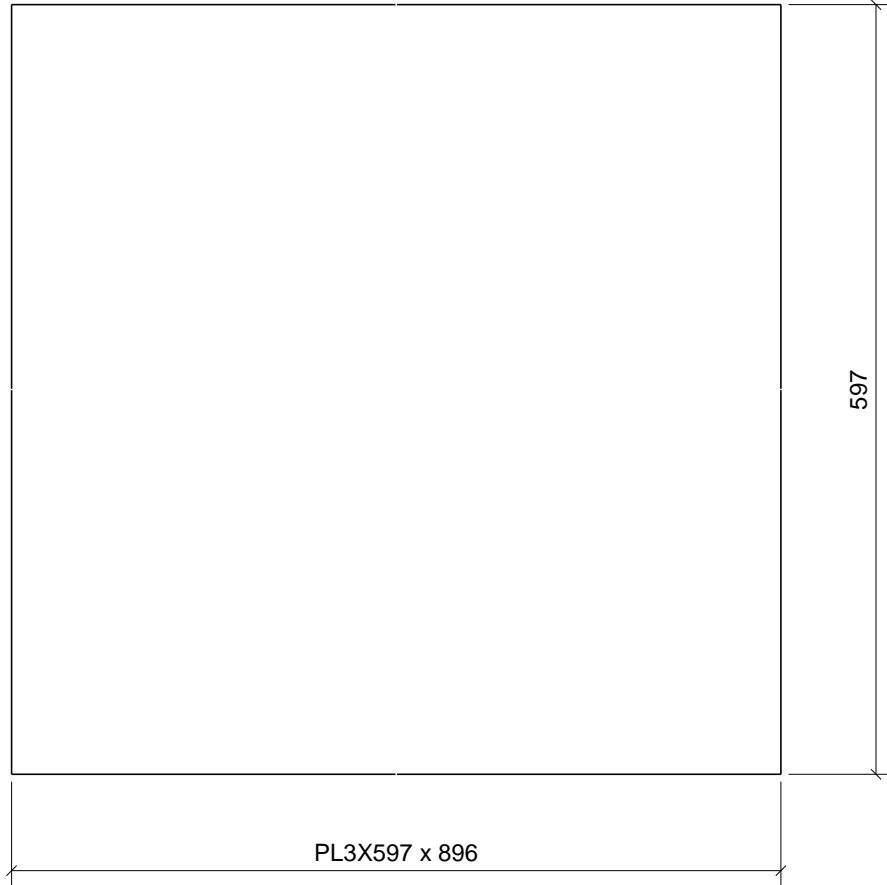


			p140	1	PL3X1100	3557	304 SS		
			MARK	QTY	PROFILE	LENGTH	MATERIAL	FINISH	
			DWG BY: FK		PROJECT:	CFS HOLBERG BRITISH COLUMBIA	TRANSMITTAL#	CONTRACT NO	
			CHK BY: FK					PART MARK	REV.
A	For Approval	09/19/2014	DATE: 09/19/2014		EXACT STEEL DETAILING LTD. PH: 250 590 5244			p140	A
REV	DESCRIPTION	DATE							



QTY	IN ASSY
2	M113

QTY	PHASE
2	1



			p148	2	PL3X597	896	304 SS	
			MARK	QTY	PROFILE	LENGTH	MATERIAL	FINISH
			DWG BY: FK		PROJECT:		TRANSMITTAL#	CONTRACT NO
			CHK BY: FK		CFS HOLBERG BRITISH COLUMBIA			
A	For Approval	09/19/2014	DATE:09/19/2014				EXACT STEEL DETAILING LTD. PH: 250 590 5244	
REV	DESCRIPTION	DATE					p148	A