

PHOTO 1 ROOF EQUIPMENT DEMOLITION  
N.T.S.

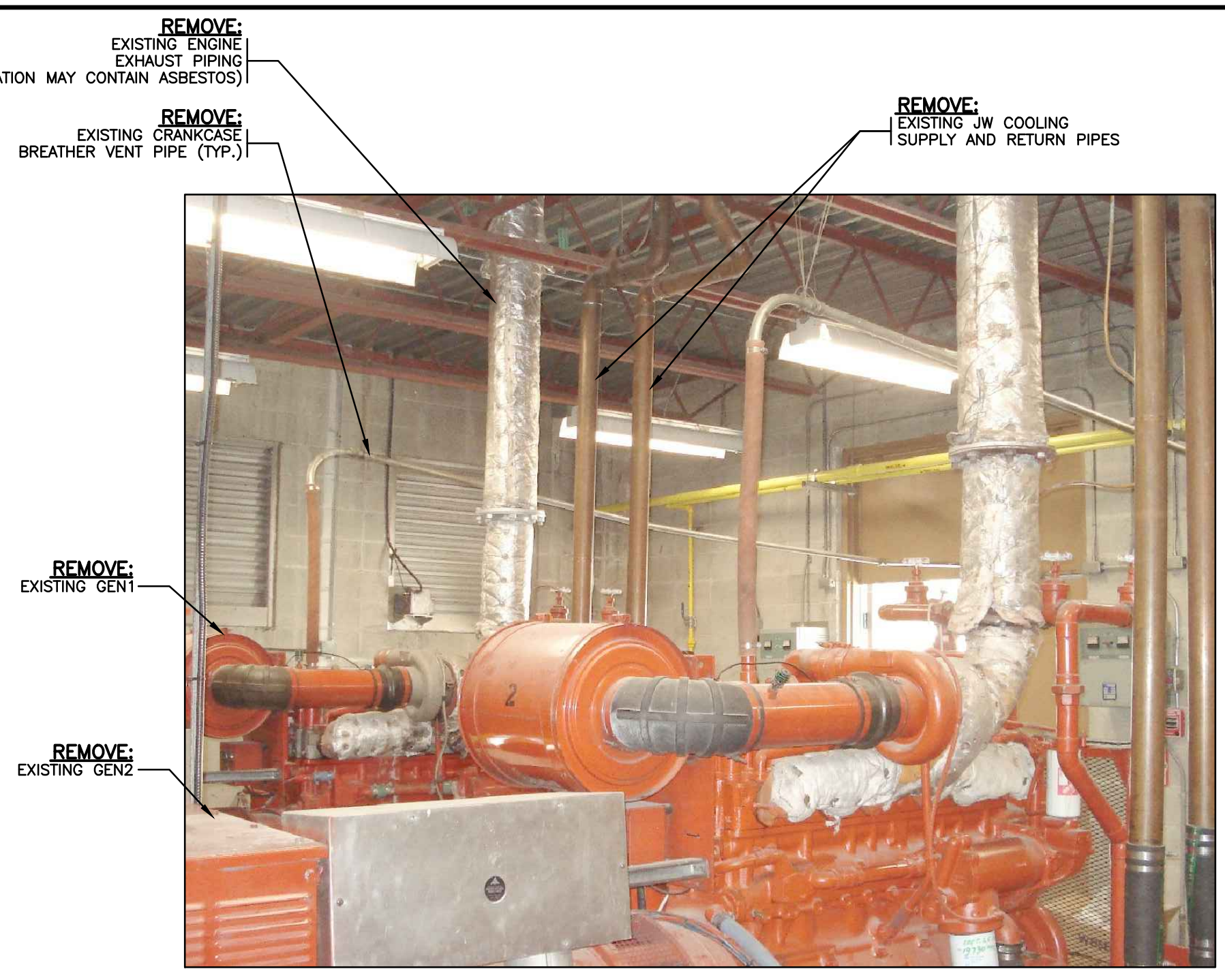
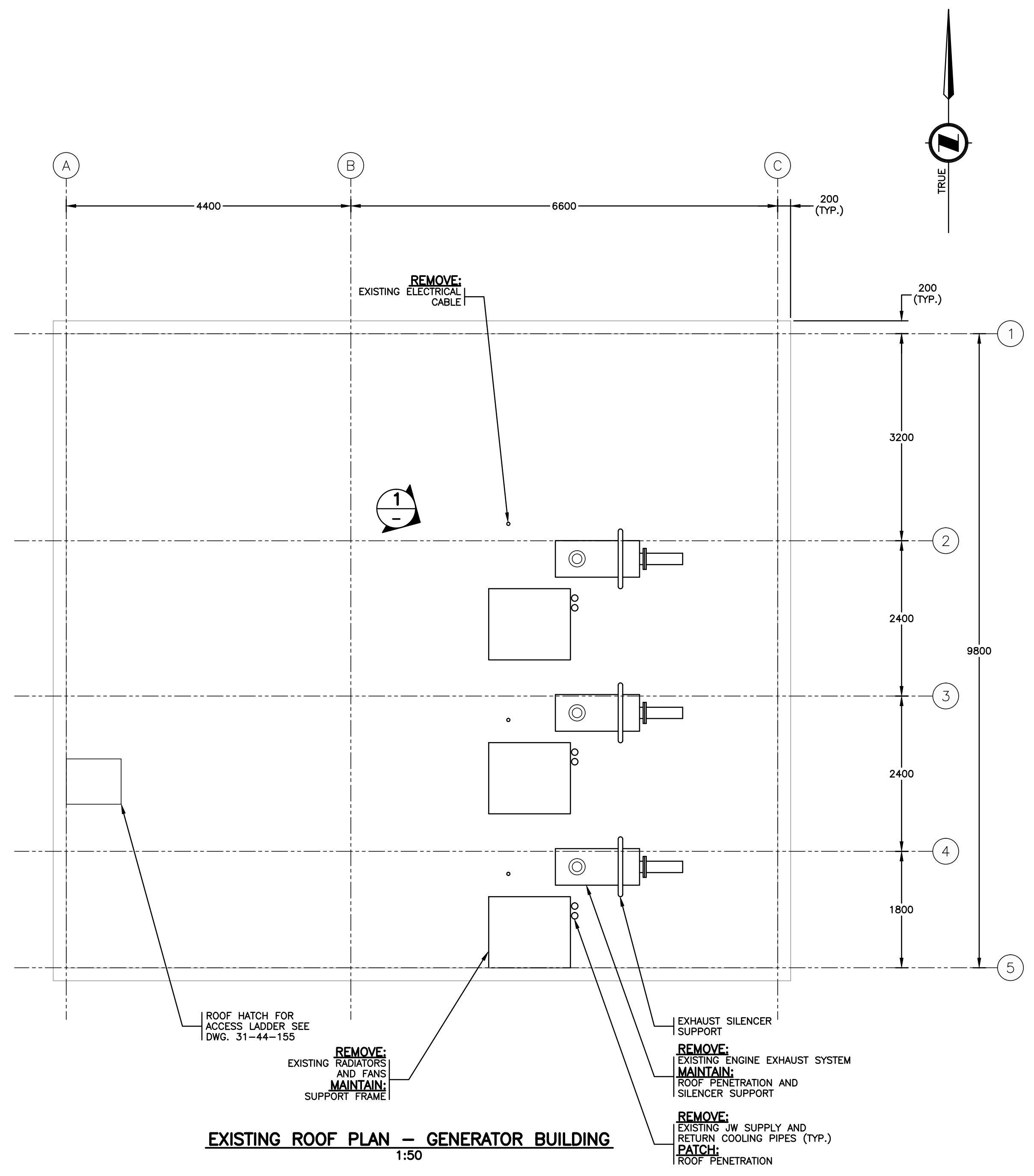


PHOTO 2 GENSET ROOM PIPING DEMOLITION  
N.T.S.



PHOTO 3 GENSET ROOM PIPING DEMOLITION  
N.T.S.

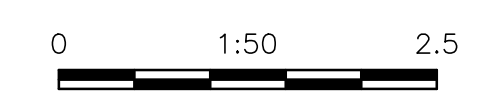


EXISTING ROOF PLAN - GENERATOR BUILDING  
1:50

**NOTES:**

- 1 REFER TO ELECTRICAL DRAWINGS FOR REMOVALS ON MAIN FLOOR AND ELECTRICAL DEMOLITION WORK.
- 2 ALL EQUIPMENT SHOWN REMOVED SHALL BE TYPICAL FOR ALL 3 GENERATOR LOCATIONS.

ALL EQUIPMENT IS EXISTING  
UNLESS NOTED OTHERWISE



<b>FISHERIES AND OCEANS CANADA</b> REAL PROPERTY AND TECHNICAL SUPPORT	
<b>NITINAT RIVER HATCHERY GENERATOR UPGRADES MECHANICAL</b>	SCALE <b>AS SHOWN</b> DATE <b>2017-FEB-02</b> DRAWING NUMBER <b>31-44-479</b>
<b>GENERATOR BUILDING ROOF PLAN AND PHOTOS</b>	REVISION 1

	PBX ENGINEERING Ltd. Suite 300 - 131 Water St. Vancouver BC, V6B 4M3 Tel 604.408.7222 www.pbxeng.com
<b>WHITESIDE ENGINEERING LTD.</b> WATER UTILITY CONSULTING SUITE 300 - 131 WATER STREET, VANCOUVER BC V6B 4M3 604.738.6876   www.whiteside.co	

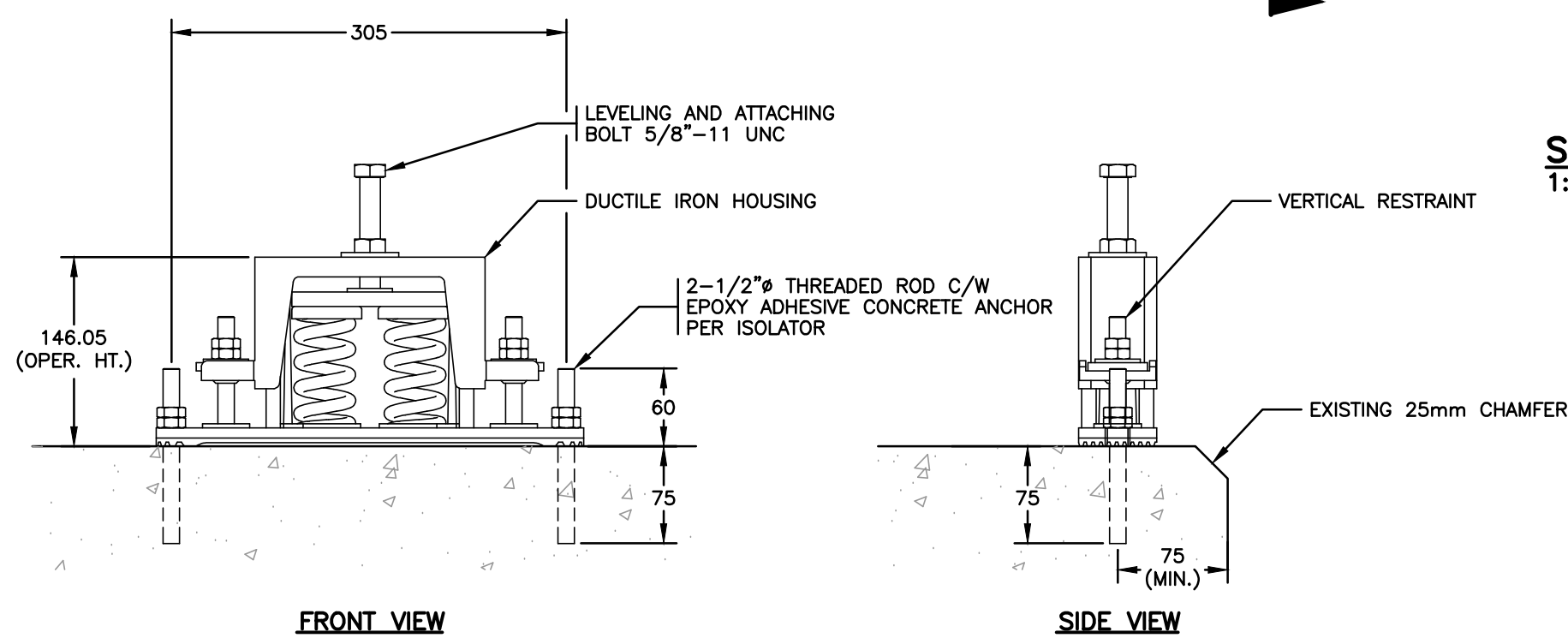
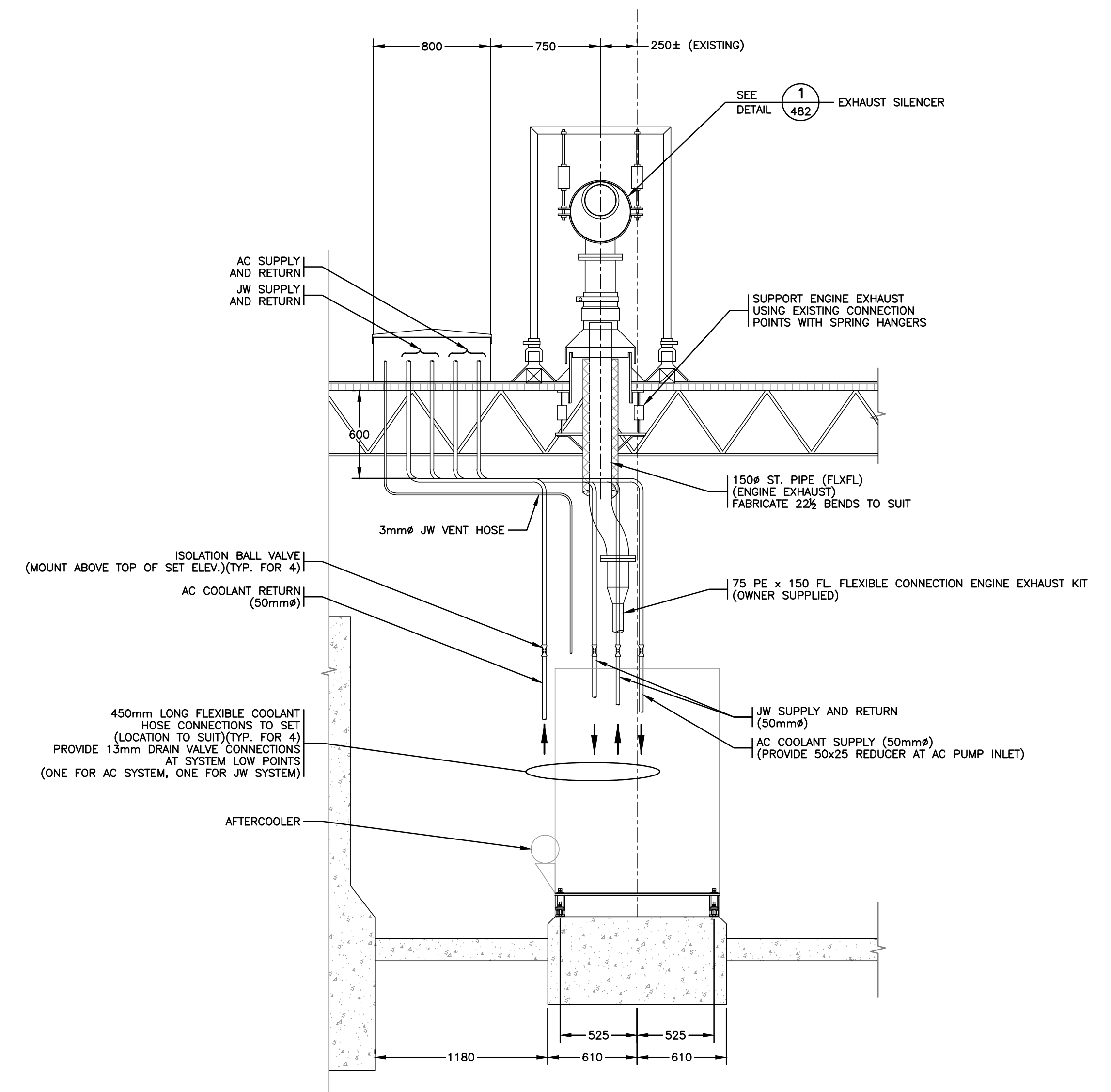
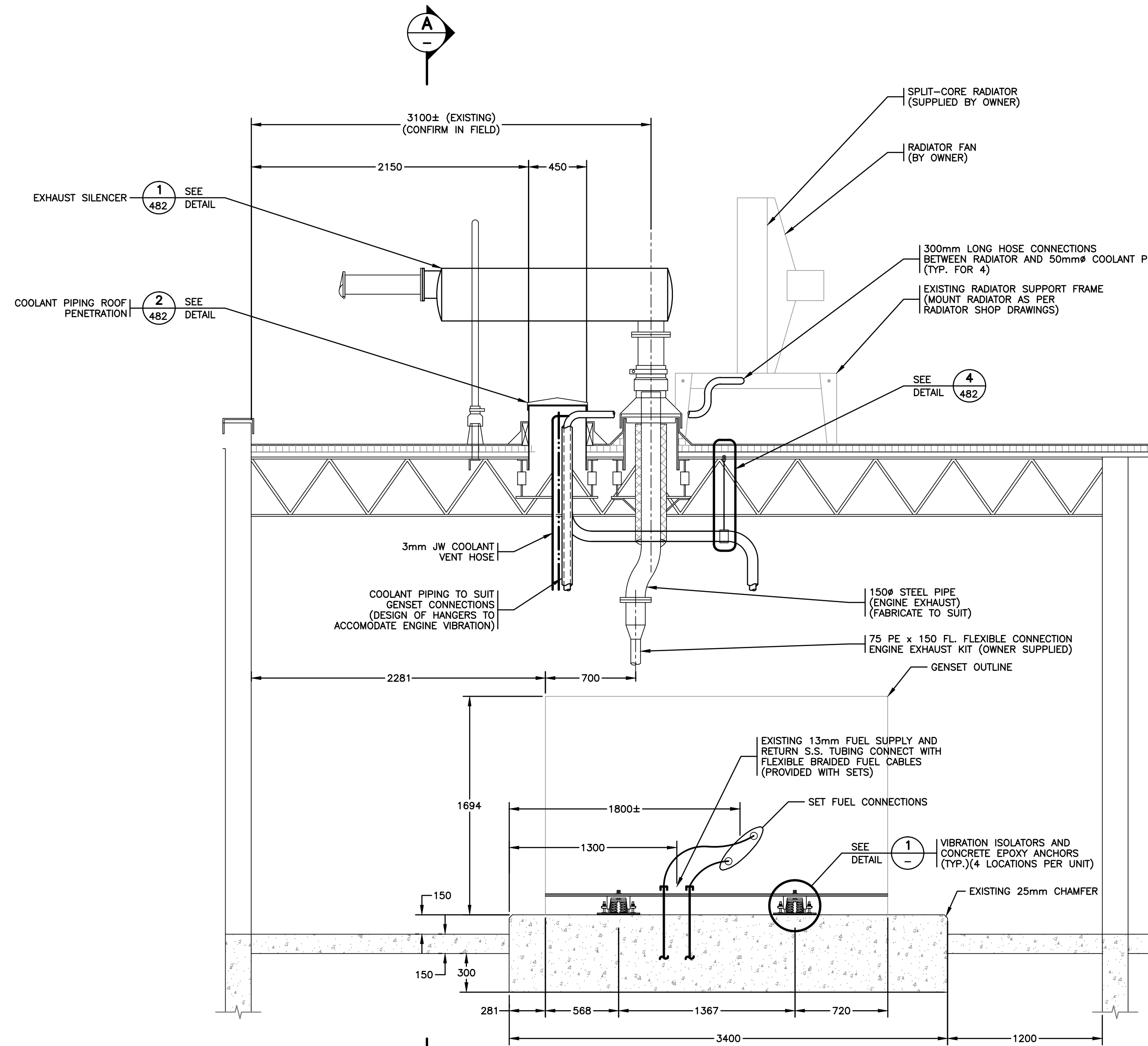
NO.	DATE	REVISIONS
1	2017-FEB-02	REVISED DRAWING NUMBERS AND PROJECT TITLE
-	2016-JUN-30	ISSUED FOR TENDER

NOTES

P:\15119 - RPO Nitinat River Hatchery\04 - Generator Mechanical\00 Services\Drawings\00-Mechanical\31-44-479-1-02/2017-252-PN-BILL CHOU



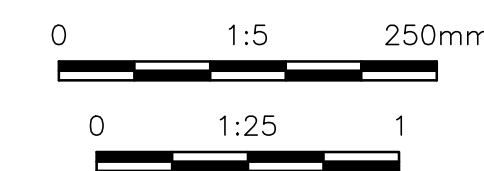




DETAIL 1 GENERATOR SET VIBRATION ISOLATORS  
1:5

SECTION A (TYP. OF 3 LOCATIONS)  
1:25

SECTION B (TYP. OF 3 LOCATIONS)  
1:25



ALL EQUIPMENT IS PROPOSED  
UNLESS NOTED OTHERWISE



PBX ENGINEERING Ltd.  
Suite 300 - 131 Water St.  
Vancouver BC, V6B 4M3 Tel 604.408.7222  
www.pbxeng.com

WHITESIDE ENGINEERING LTD.  
WATER UTILITY CONSULTING

SUITE 300 - 131 WATER STREET, VANCOUVER BC V6B 4M3  
604.738.6876 | www.whiteside.co

NOTES

NO.	DATE	REVISIONS
2	2017-FEB-02	REVISED DRAWING NUMBERS AND PROJECT TITLE
1	2016-DEC-20	ADD DRAIN CONNECTIONS, MODIFY COOLANT PIPING TO MATCH RADIATOR DRAWINGS
-	2016-JUN-30	ISSUED FOR TENDER

DESIGNED	NW
DRAWN	PBX
CHECKED	NW
RECOMMENDED	NW
APPROVED	
APPROVED	

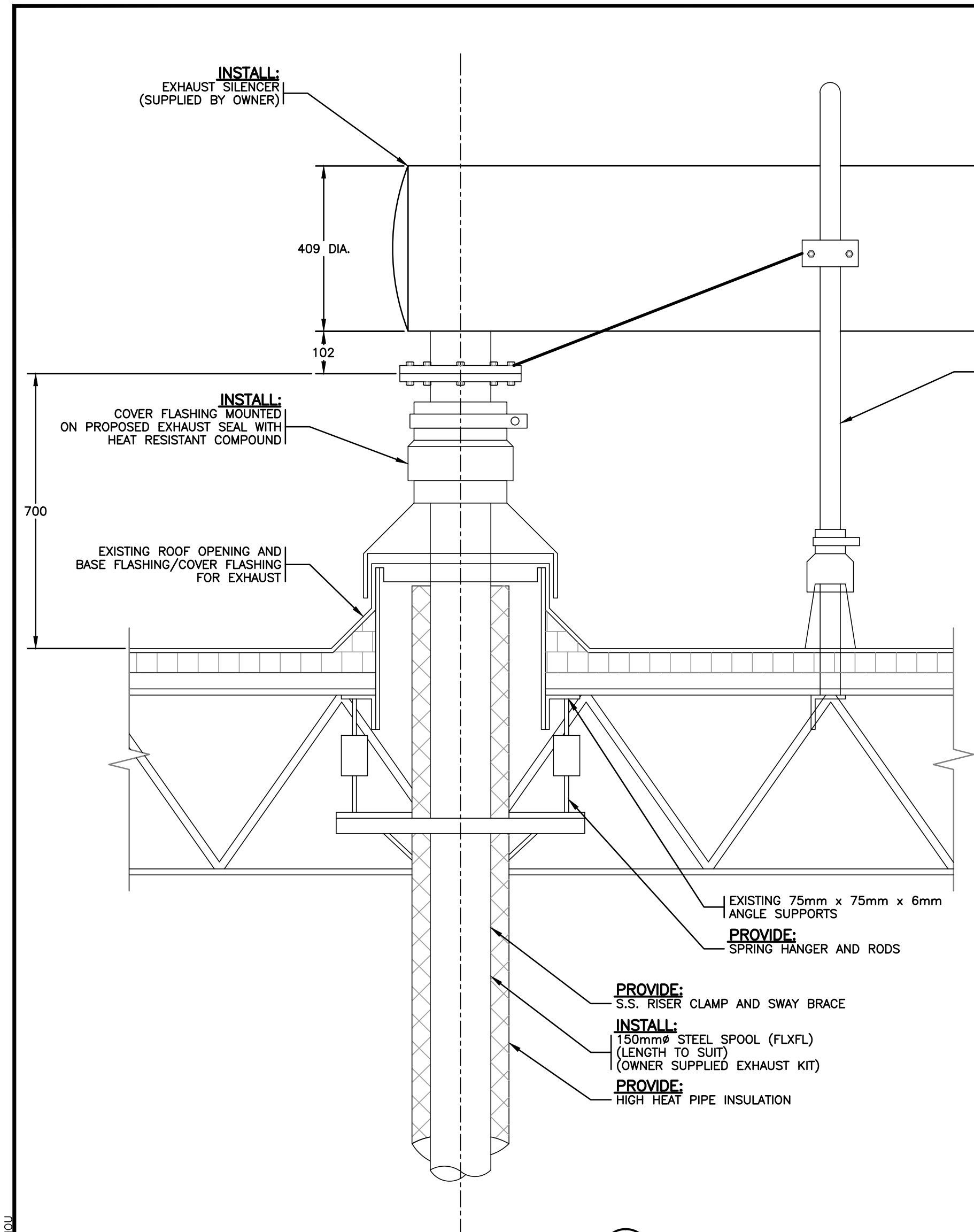
FISHERIES AND OCEANS CANADA  
REAL PROPERTY AND TECHNICAL SUPPORT

NITINAT RIVER HATCHERY  
GENERATOR UPGRADES  
MECHANICAL

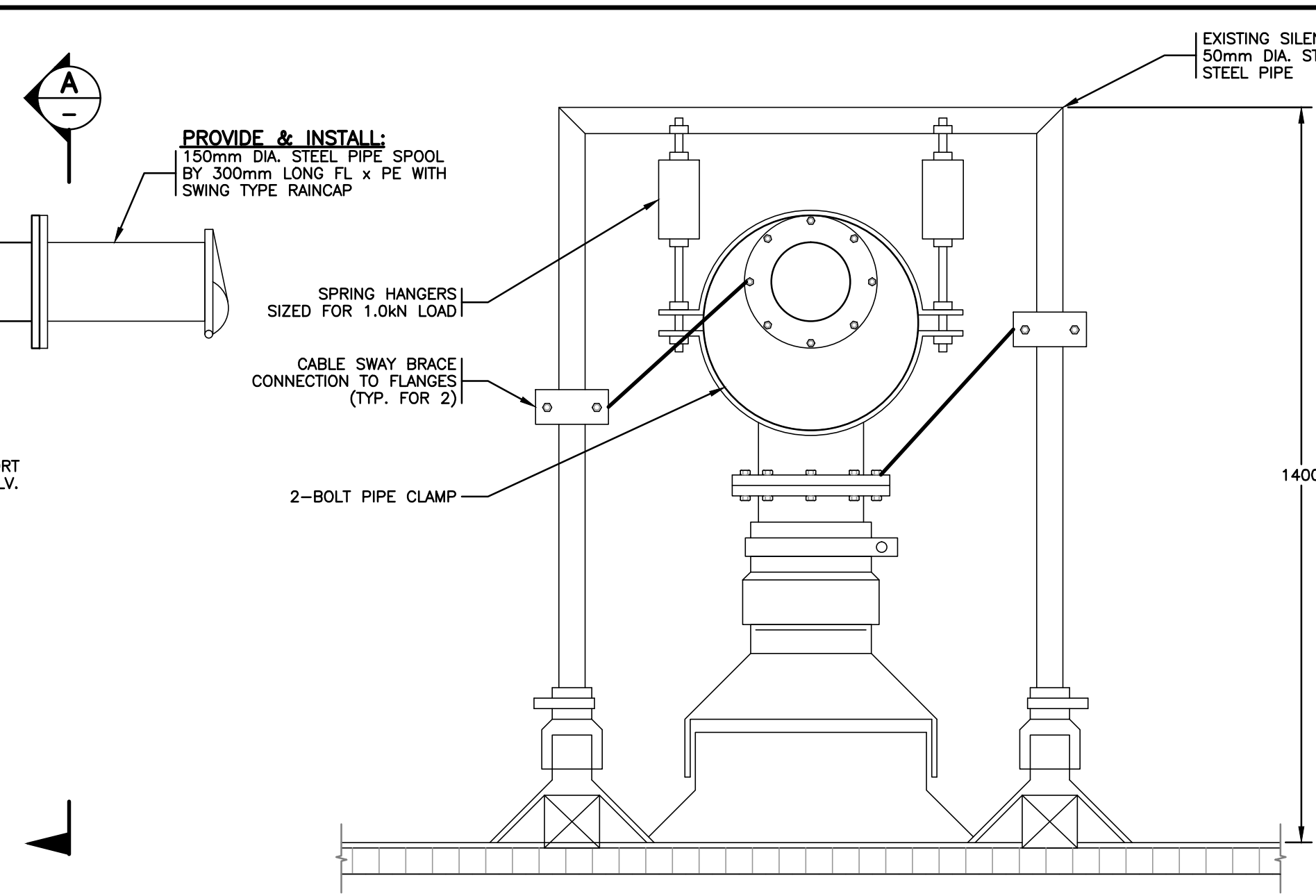
GENERATOR BUILDING  
MECHANICAL INSTALL SECTIONS

SCALE	AS SHOWN
DATE	2017-FEB-02
DRAWING NUMBER	31-44-481
REVISION	2

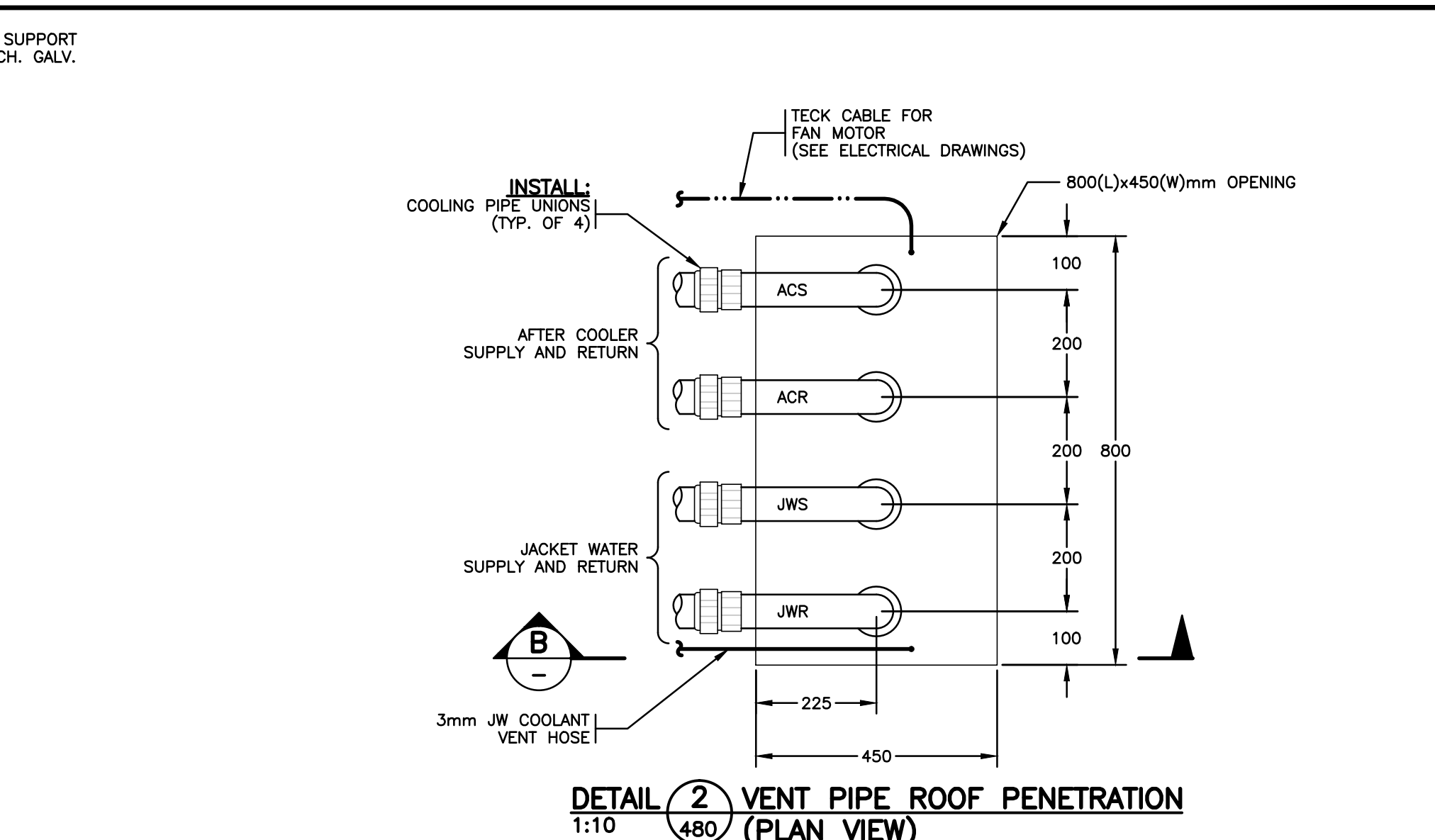




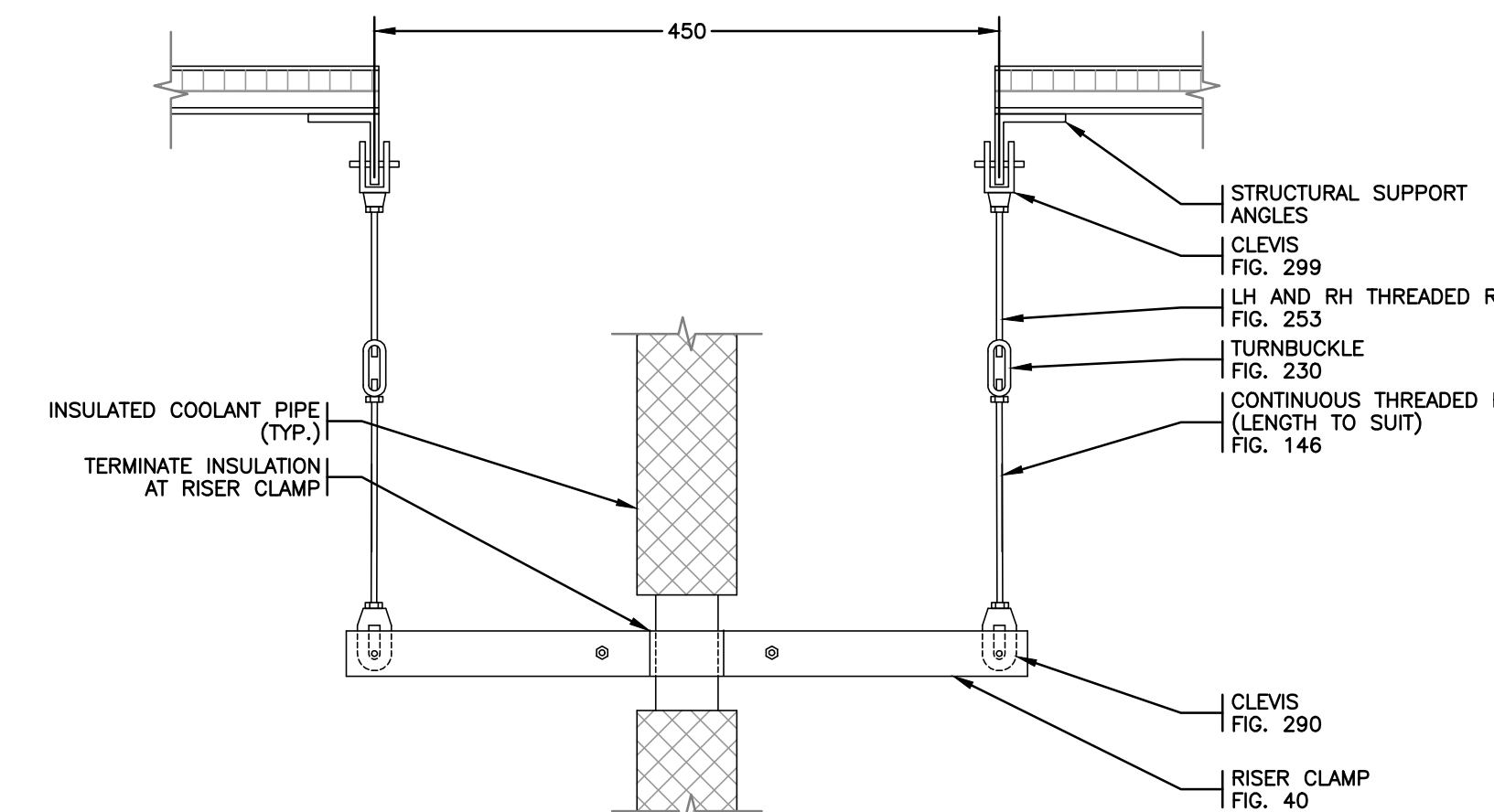
**DETAIL 1** EXHAUST SILENCER MOUNTING  
1:10 (480)



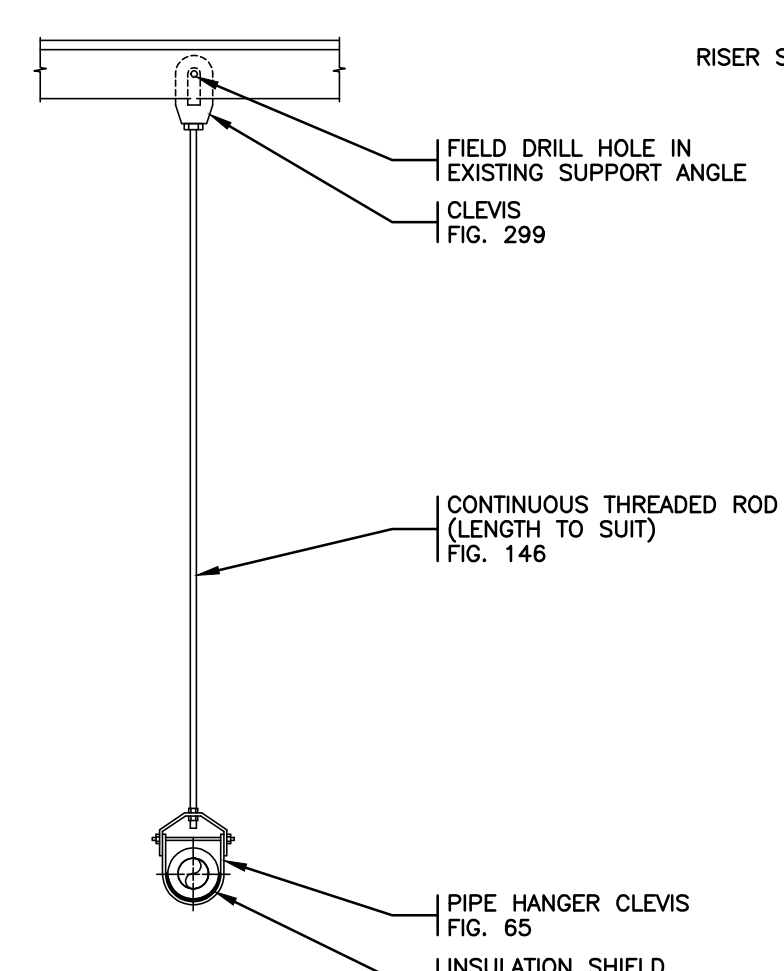
**SECTION A** SILENCER SUPPORT  
1:10



**DETAIL 2** VENT PIPE ROOF PENETRATION  
1:10 (480) (PLAN VIEW)



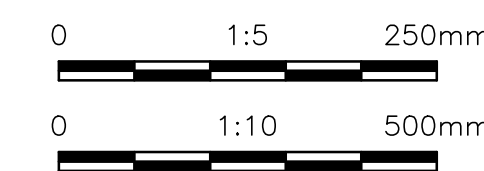
**DETAIL 3** RISER SUPPORT  
1:5



**DETAIL 4** TYPICAL PIPE HANGER  
N.T.S. (481)

**NOTES:**

- 1 ALL EXHAUST PIPING INSULATION AND SUPPORTS TO BE SUITABLE FOR ENGINE EXHAUST TEMPERATURE OF 550°C.
- 2 COOLANT PIPING, INSULATION, AND SUPPORTS TO BE SUITABLE FOR COOLANT TEMPERATURES OF 110°C.
- 3 ALL PIPE SUPPORTS TO ALLOW FOR THERMAL/VIBRATION MOVEMENT OF PIPES.
- 4 PIPE SUPPORT FIG. #'S REFER TO ANVIL INTERNATIONAL CATALOGUE. SEE SPECIFICATIONS.



ALL EQUIPMENT IS EXISTING UNLESS NOTED OTHERWISE

**PBX ENGINEERING**  
PBX ENGINEERING Ltd.  
Suite 300 - 131 Water St.  
Vancouver BC, V6B 4M3 Tel 604.408.7222  
www.pbxeng.com

**WHITESIDE ENGINEERING LTD.**  
WATER UTILITY CONSULTING  
SUITE 300 - 131 WATER STREET, VANCOUVER BC V6B 4M3  
604.738.6876 | www.whiteside.co

NO.	DATE	REVISIONS
2	2017-FEB-02	REVISED DRAWING NUMBERS AND PROJECT TITLE
1	2016-DEC-20	MODIFY DETAIL 2 TO MATCH RADIATORS
-	2016-JUN-30	ISSUED FOR TENDER

DESIGNED	NW
DRAWN	PBX
CHECKED	NW
RECOMMENDED	NW
APPROVED	
APPROVED	

**FISHERIES AND OCEANS CANADA**  
REAL PROPERTY AND TECHNICAL SUPPORT

**NITINAT RIVER HATCHERY  
GENERATOR UPGRADES  
MECHANICAL**

**GENERATOR BUILDING  
PIPING DETAILS**

SCALE	AS SHOWN
DATE	2017-FEB-02
DRAWING NUMBER	31-44-482
REVISION	2

P:\15119\_010\_Nitinat\_River\_Hatchery\04 - Generator\_Mechanical\CAD\_Services\Drawings\Mechanical\31-44-482-1\02\2017\_252\_PN- BILL CHOU