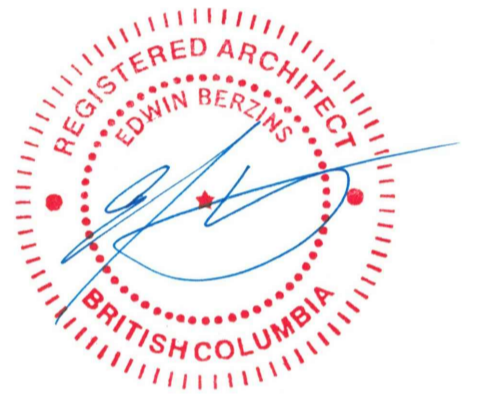
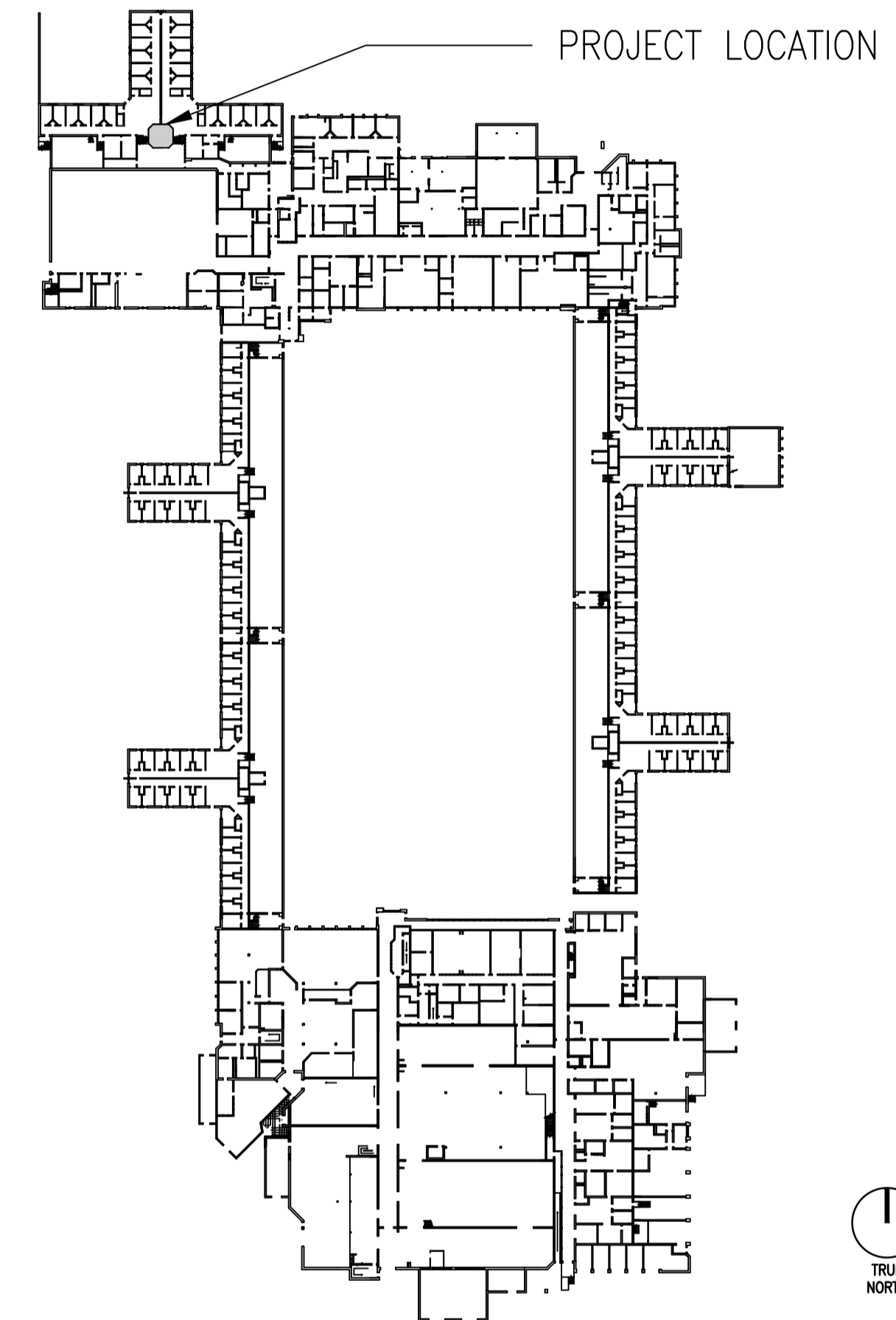


KEY PLAN



DRAWING INDEX

- DRAWING INDEX
- A01 GENERAL NOTES AND PHASING PLAN
 - A02 EXISTING PLANS, ELEVATIONS, AND DETAILS
 - A03 EXISTING PLANS, ELEVATIONS, AND DETAILS
 - A04 EXISTING PLANS, ELEVATIONS, AND DETAILS
 - A05 EXISTING PLANS, ELEVATIONS, AND DETAILS
 - A06 EXISTING PLANS, ELEVATIONS, AND DETAILS
 - A07 EXISTING PLANS, ELEVATIONS, AND DETAILS
 - A08 EXISTING PLANS, ELEVATIONS, AND DETAILS
 - A09 NEW PLANS, ELEVATIONS, AND DETAILS
 - A10 NEW PLANS, ELEVATIONS, AND DETAILS
 - A11 NEW PLANS, ELEVATIONS, AND DETAILS
 - A12 NEW PLANS, ELEVATIONS, AND DETAILS
 - A13 NEW PLANS, ELEVATIONS, AND DETAILS
 - A14 NEW PLANS, ELEVATIONS, AND DETAILS
 - A15 NEW PLANS, ELEVATIONS, AND DETAILS
 - A16 GUN PORT DETAILS
 - A17 PHOTOS
 - A18 PHOTOS

Revision/Revisión	Description/Description	Date/Date
01	ISSUED FOR TENDER	2016/12/23

Client/client
PUBLIC WORKS AND GOVERNMENT SERVICES CANADA

219 - 800 BURRARD STREET
VANCOUVER, BC V6Z 0B9

Project title/Titre du projet
AGASSIZ, BC V0M 1A0
4732 CEMETERY ROAD
BUILDING J-K, KENT INSTITUTION
**KENT SEGREGATION CONTROL POST
GLAZING REPLACEMENT**

Consultant Signature Only

Designed by/Concepté par
EDWIN BERZINS

Drawn by/Dessiné par
MING HSU

PWGC Project Manager/Administrateur de Projets TPSCG
JOSKO DUJMOVIC

PWGC, Architectural and Engineering Resources Manager/
Ressources Architecturales et de Directeur d'Ingénierie, TPSCG
PREETIPAL PAUL

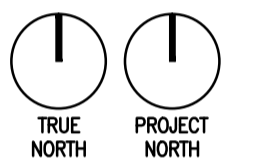
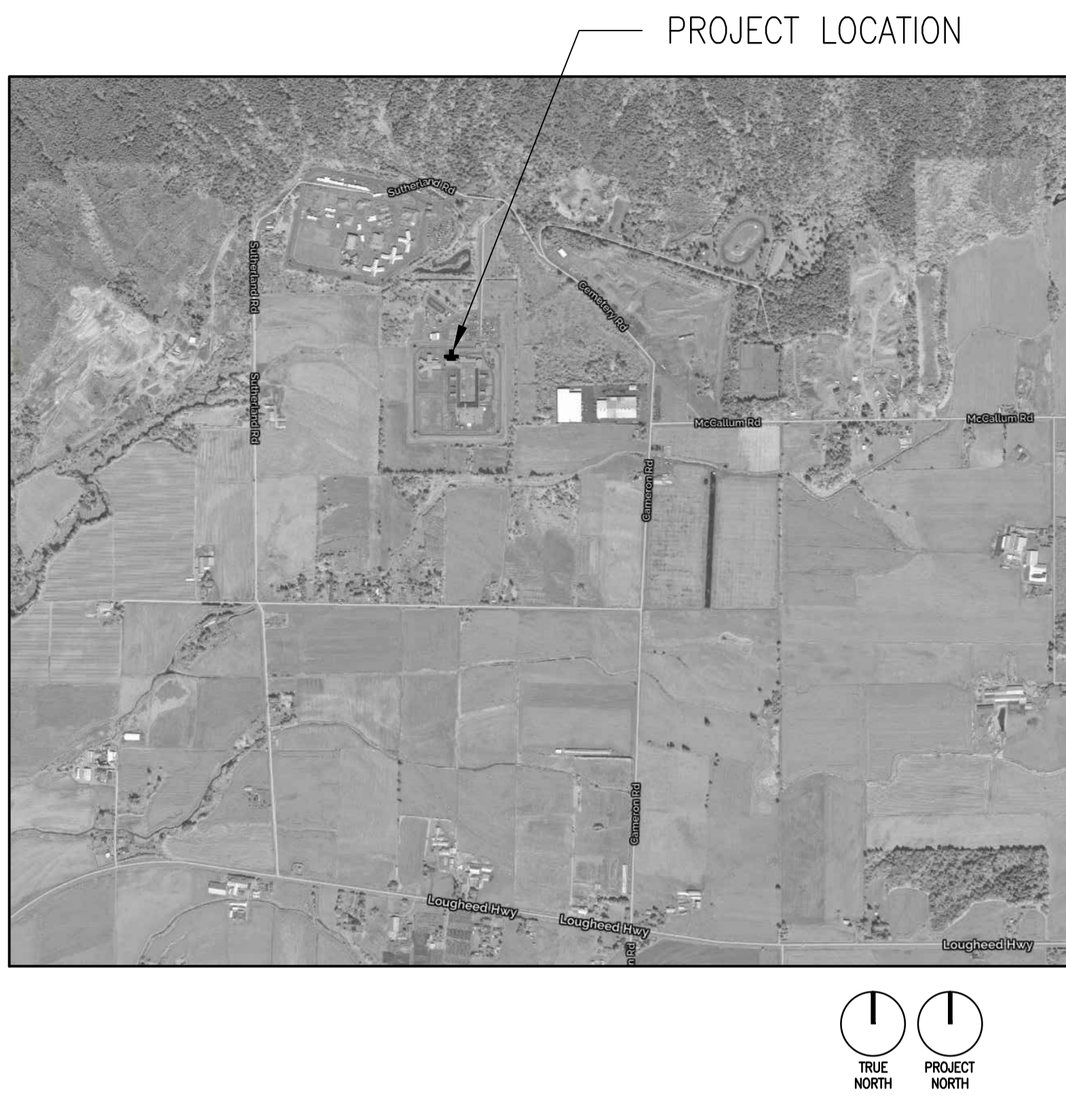
Client/client
PWGC

Drawing title/Titre du dessin

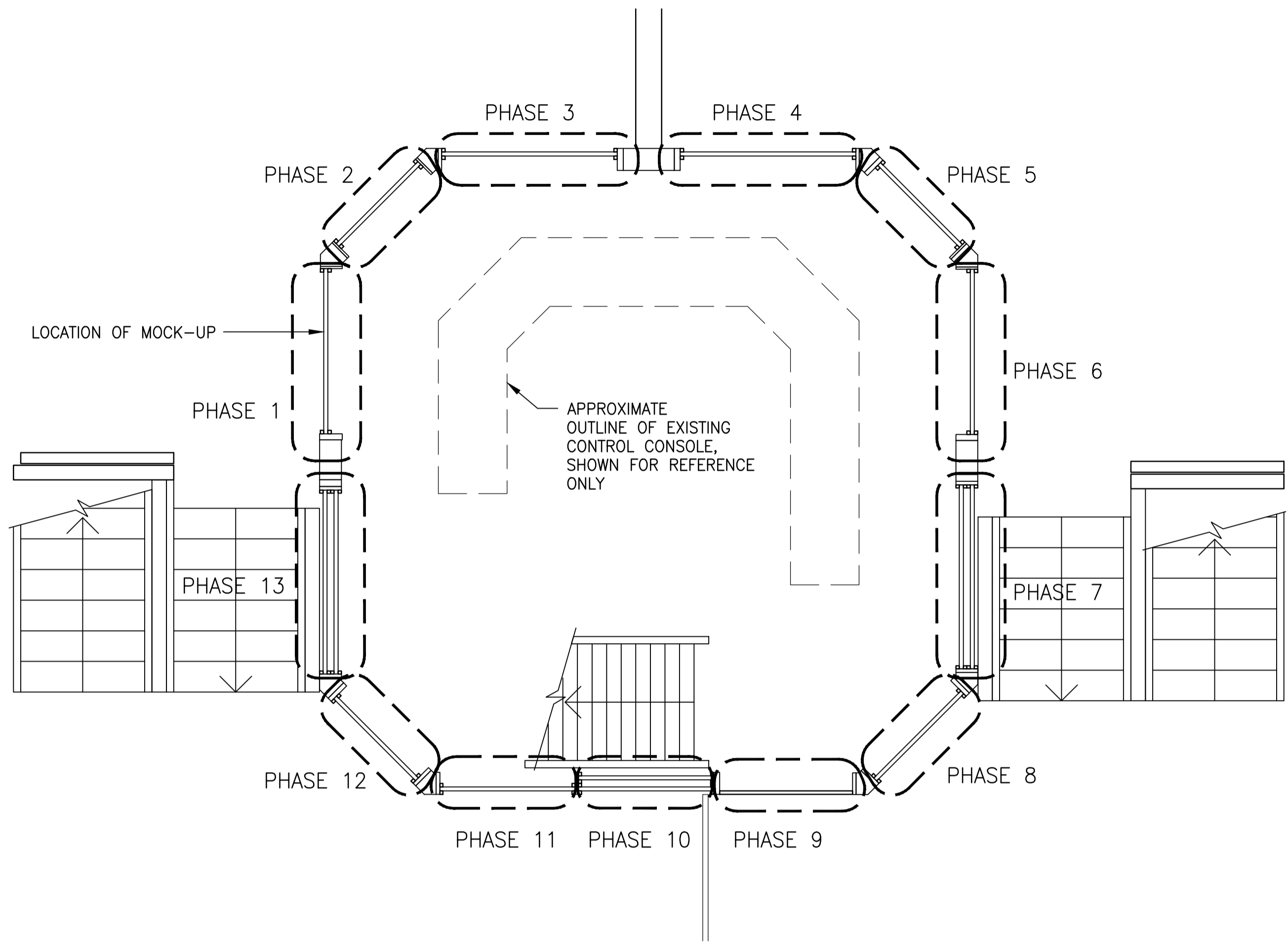
DRAWING INDEX

Project No./No. du projet R. 082441.001	Sheet/Fauille OF 18	Revision no./La Révision no. 1
---	-------------------------------	--

VICINITY PLAN



PROPOSED PHASING PLAN



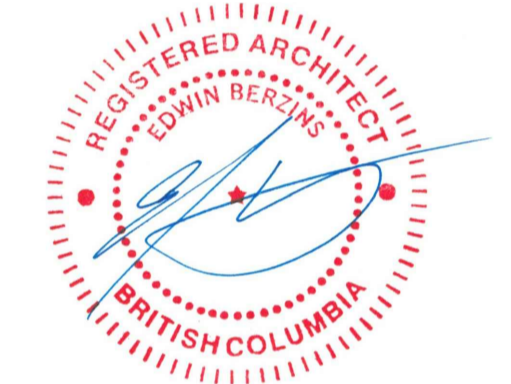
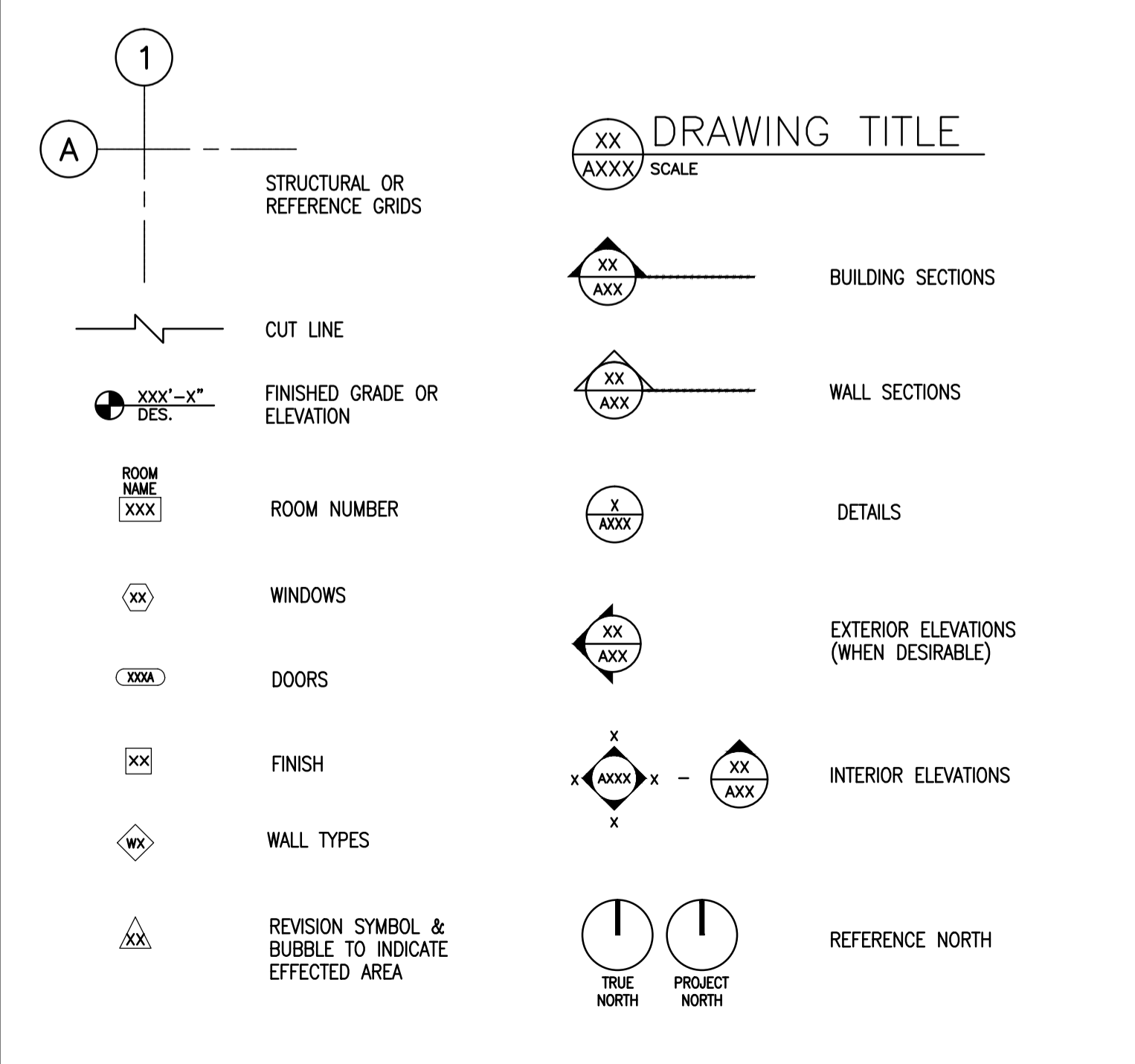
GENERAL NOTES

- ALL CONSTRUCTION SHALL COMPLY WITH APPLICABLE CODES AS ADOPTED AND AMENDED BY THE AUTHORITY HAVING JURISDICTION.
- THESE DRAWINGS ARE SUPPLIED TO THE CONTRACTOR AND OTHERS FOR THEIR USE FOR THIS PROJECT. ALL COPIES OF THESE DRAWINGS SHALL REMAIN THE PROPERTY OF MALLEN GOWING BERZINS ARCHITECTURE INC. (MGBA INC.) AND SHALL NOT BE REUSED OR REPRODUCED WITHOUT PERMISSION OF MGBA INC.
- THE ORGANIZATION OF DOCUMENTS ARE NOT INTENDED TO CONTROL THE DIVISION OF WORK. DIVISION OF WORK SHALL BE THE SOLE RESPONSIBILITY OF THE CONTRACTOR.
- CONTRACTOR SHALL VERIFY DIMENSIONS AND REQUIRED CLEARANCES. NOTIFY ARCHITECT OF ANY DISCREPANCIES PRIOR TO COMMENCEMENT OF WORK.
- ALL DRAWINGS AND SPECIFICATIONS ARE TO BE READ IN CONJUNCTION WITH EACH OTHER.
- CONTRACTOR TO TAKE CARE TO PROTECT ALL EXISTING FINISHES.
- CONTRACTOR TO NOTIFY ARCHITECT IF LEAD TIMES FOR ANY SPECIFIED ITEMS/PRODUCTS MAY JEOPARDIZE THE PROJECT SCHEDULE.
- CONTRACTOR TO VERIFY WITH DEPARTMENTAL REPRESENTATIVE THE AVAILABLE MEANS AND CONDITIONS AFFECTING THE MOVEMENT OF MATERIALS AND COMPONENTS INTO THE BUILDING.
- REMOVAL AND REPLACEMENT OF GLAZING MUST BE DONE SIMULTANEOUSLY PER EACH PANE OF GLAZING; SECURITY REQUIREMENT OF THE CONTROL POST SHALL NOT BE COMPROMISED BY LEAVING ANY OPENINGS AT THE END OF EACH DAY.
- PREPARE MOCK-UP PANE AS INDICATED ON A02.
- MOCK-UP MUST BE APPROVED PRIOR TO CONTINUATION OF WORK.
- EXISTING CONTROL POST DOOR AT THE LIVING UNIT LEVEL MUST REMAIN CLOSED AND IS NOT INTENDED TO BE USED FOR CONTRACTOR'S GENERAL ACCESS OR DELIVERY OF MATERIALS. CONTRACTOR MUST ACCESS THE INTERIOR OF THE CONTROL POST VIA LADDER FROM ABOVE, AND BRING IN NEW MATERIAL FROM AN OPENING CREATED BY REMOVING AN EXISTING GLAZING PANEL.

GENERAL ABBREVIATIONS

AC ASPHALTIC CONCRETE	D DEPTH	FOF FACE OF FINISH	KPL KICK PLATE	PNL PANEL	SQ SQUARE
ACUST ACOUSTICAL	DEG DEGREES	FOM FACE OF MASONRY	PR ROUND	PR FAIR	SS SOLID SURFACE
ADM ASBESTOS CONTAINING MATERIAL	DEMO DEMOLITION	FOF FACE OF STUD	PRCST PRECAST	PRST PRECAST	S/S STAINLESS STEEL
ACT ACOUSTICAL CEILING TILE	DET DETAIL	FOF FACE OF WALL	PREFAB PREFABRICATED	PREFAB PREFABRICATED	ST STAIN
ADDN ADDITION / ADDITIONAL	DF DRINKING FOUNTAIN	L LEFT	PREFIN PREFINISHED	PREFIN PREFINISHED	STD STANDARD
AFF ABOVE FINISHED FLOOR	DIA DIAMETER	LAM LAMINATE	PS PRESSED STEEL	PS PRESSED STEEL	STL STEEL
ALUM ALUMINUM	DIFF DIFFUSER	LAV LAVATORY	PSF POUNDS PER SQUARE FOOT	PT PAINT	STOR STORAGE
ALT ALTERNATE	DM DIMENSION	FRP FIRE PROOFING	MFG MACHINE BOLT	PT PAINT	STRUC STRUCTURAL
ANDD ANDROZED	DN DOWN	FRP FIRE RATING	MDF MEDIUM DENSITY FIBERBOARD	PTD PAPER TOWEL DISPENSER	SUBST SUBSTRATE
APPROX APPROXIMATELY	DR DOOR	FRP FIBERGLASS REINFORCED PANEL	MDO MEDIUM DENSITY OVERLAY	PTR PAPER TOWEL RECEPTOR	SUSP SUSPENDED
ARCH ARCHITECT / ARCHITECTURAL	DS DOWN SPOUT	FRT FIRE RETARDANT TREATED	MECH MECHANICAL	PVC POLYVINYLCHLORIDE	TB THERMAL BREAK/TACK BOARD
BD BOARD	DWG DRAWING	FT FOOT / FEET	MEMB MEMBRANE	PTN PARTITION	TEMP TEMPERATURE
BET BETWEEN	E EAST	FTG FOOTING	MEZZ MEZZANINE	QT QUARRY TILE	TFCI TENANT FURNISHED-CONTRACTOR INSTALLED
BLK BLOCK	EA EACH	FTX FUTURE	MFG MANUFACTURER (ED)	R RIGHT	TFT TENANT FURNISHED-TENANT INSTALLED
BLKG BLOCKING	E/A EXHAUST AIR	GA GAUGE	MH MANHOLE	RA RETURN AIR	T&G TONGUE AND GROOVE
BM BEAM	EFS EXTERIOR INSULATION FINISH SYSTEM	GALV GALVANIZED	MHP MOP HOOK	RAD RADIUS	THK THICK
BRG BEARING	ELEV ELEVATION	GB GRAB BAR	MO MASONRY OPENING	RB RUBBER	THOLD THRESHOLD
BO BOTTOM OF	ELEV ELEVATION	GEN GENERAL	MTR METAL	RCP REFLECTED CEILING PLAN	THRU THROUGH
BOD BOTTOM OF DECK	ELEC ELECTRICAL	GL GLASS	MTR BD MORTAR BED	ROD ROOF DRAIN	TO TOP OF
BUR BUILT-UP ROOF	EPDM ETHYLENE PROPYLENE DIENE MONOMER	GLB GLUE LAM BEAM	MILWK MILLWORK	REF REFERENCE	TOM TOP OF MASONRY
C BUR	EQUIP EQUIPMENT	GLU-LAM GLUE LAMINATED	MIN MINIMUM	REIN REINFORCE (D) (NG) (MENT)	UH UNIT HEATER
C CELIUS	EW EACH WAY	GOV GOVERNMENT	MIR MIRROR	REDD REQUIRED	TOW TOP OF WALL
CAB CABINET	EXH EXHAUST	GMWB GLASS MESH GYPSUM WALL BOARD	MISC MISCELLANEOUS	RESIL RESILIENT	TPD TOILET PAPER DISPENSER
CB CHALK BOARD	EXP EXPANDED / EXPANSION	GR GRADE	MLDG MOLDING	REV REVISE / REVISION	TS TUBE STEEL
CBB CEMENT BACKER BOARD	EXP JT EXPANSION JOINT	GRG GRATING	MTD MOUNTED	RFG ROOFING	TSTAT THERMOSTAT
CG CORNER GUARD	EXIST EXISTING	GRG GALVANIZED STEEL PIPE	NA NOT APPLICABLE	RFSD RAISED FLOOR SYSTEM	TYP TYPICAL
CHRD CHECKERED	EXT EXTERIOR	GWB GYPSUM WALL BOARD	NAT FIN NATURAL FINISH	REF REFERENCE	UG UNDERGROUND
CHL CHAIN LINK	EXTR EXTRUDED	HB HOSE BIBB	NFS NON FROST SUSCEPTIBLE	RHKB ROBE HOOK	UH UNIT HEATER
CL CENTER LINE	F FAHRENHEIT	HC HANDICAPPED	NIC NOT IN CONTRACT	RHWS ROUND HEAD WOOD SCREW	UL UNDERWRITERS LIBRARY
CLG CEILING	FA FABRICATE(D)	HDD HIGH DENSITY OVERLAY	NLB NON LOAD BEARING	RHWS ROUND HEAD WOOD SCREW	UNFN UNFINISHED
CJ CONTROL JOINT	FAB FABRICATE(D)	HWDD HARDWOOD	NO NUMBER	RL RAIN LEADER	UNON UNLESS OTHERWISE NOTED
CLR CLEAR	FD FLOOR DRAIN	HWDR HARDWARE	NOM NOMINAL	RM ROOM	VAC VACUUM
CMP CORRUGATED METAL PIPE	FDC FIRE DEPARTMENT CONNECTION	HM HOLLOW METAL	NR NON-RATED	RND ROUND	VAR VARIES
CMU CONCRETE MASONRY UNIT	FDN FOUNDATION	HORIZ HORIZONTAL	NTS NOT TO SCALE	RO ROUGH OPENING	VERT VERTICAL
C CO	FE FIRE EXTINGUISHER	HR HOUR	O/A OUTSIDE AIR	RP REFRIGERATION PANEL	VR VAPOR RETARDER
C/W COMES WITH	FEC FIRE EXTINGUISHER CABINET	HT/H HEIGHT	OC ON CENTER	RTR RUBBER TREAD & RISER	VP VAPOR PROOF
COMM COMMUNICATION	FF FACTORY FINISHED	HTG HEATING	O/F OWNER FURNISHED-CONTRACTOR INSTALLED	S SOUTH	VTR VENT THROUGH ROOF
CONC CONCRETE	FG FIBERGLASS	IBC INTERNATIONAL BUILDING CODE	O/I OWNER FURNISHED-OWNER INSTALLED	S/A SUPPLY AIR	W WEST / WIDTH
CONST CONSTRUCTION	FHC FIRE HOSE CABINET	IN INCH	OPP OPPOSITE	SC SOLID CORE	W/ WITH
CONT CONTINUOUS	FHWS FLAT HEAD WOOD SCREW	INS INSULATION	OPNG OPENING	SCHD SCHEDULE	WO WITH OUT
CONTR CONTRACTOR(OR)	FIG FIGURE	INSUL INSULATED HOLLOW METAL	ORD OVERFLOW ROOF DRAIN	SCW SOLID CORE WOOD	WDO WOOD
CONV CONNECTOR	FIN FINISH	INT INTERIOR	ORIG ORIGINAL	SD STORM DRAIN/SOAP DISPENSER	WDF WIDE FLANGE
COORD COORDINATE	FIN GR FINISH GRADE	INT INVERT	ORIG ORIGINAL	SECT SECTION	WF WASTE RECEPTACLE
CSK COUNTERSINK	FIN FLR FINISH FLOOR	IPS INSULATED PRESSED STEEL	PB PUSH BUTTON	SF SQUARE FOOT / FEET	WP WATERPROOF
CSMT CASSEMENT	FLR FLOOR	JST JOIST	PBD PARTICLE BOARD	SHT SHEET	WF WEIGHT
CR CARD READER	FLRG FLOORING	KD KNOCK DOWN	PL PLATE / PLASTIC LAMINATE	SHG SHEATHING	W/WF WELODED WIRE FABRIC
CT CERAMIC TILE	FOC FACE OF CONCRETE		PLM PLASTIC LAMINATE	SIM SIMILAR	
CTR CENTER(ED)			PLYD PLYWOOD	SLR SEALER	
CJ CUBIC				SND SANITARY NAPKIN DISPENSER	
CUH CABINET UNIT HEATER				SNR SANITARY NAPKIN RECEPTOR	
				SPEC SPECIFICATION(S)	

SYMBOLS



01	ISSUED FOR TENDER	2016/12/23
Revision/	Description/Description	Date/Date

PUBLIC WORKS AND GOVERNMENT SERVICES CANADA

219 - 800 BURRARD STREET
VANCOUVER, BC V6Z 0B9

Project title/Titre du projet
AGASSIZ, BC V0M 1A0
 4732 CEMETERY ROAD
BUILDING J-K, KENT INSTITUTION
KENT SEGREGATION CONTROL POST
GLAZING REPLACEMENT

Consultant Signature Only
 Designed by/Concept par
EDWIN BERZINS

Drawn by/Designe par
MING HSU

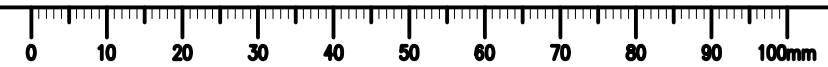
PWSC Project Manager/Administrateur de Projets TPSC
JOSKO DUJMOVIC

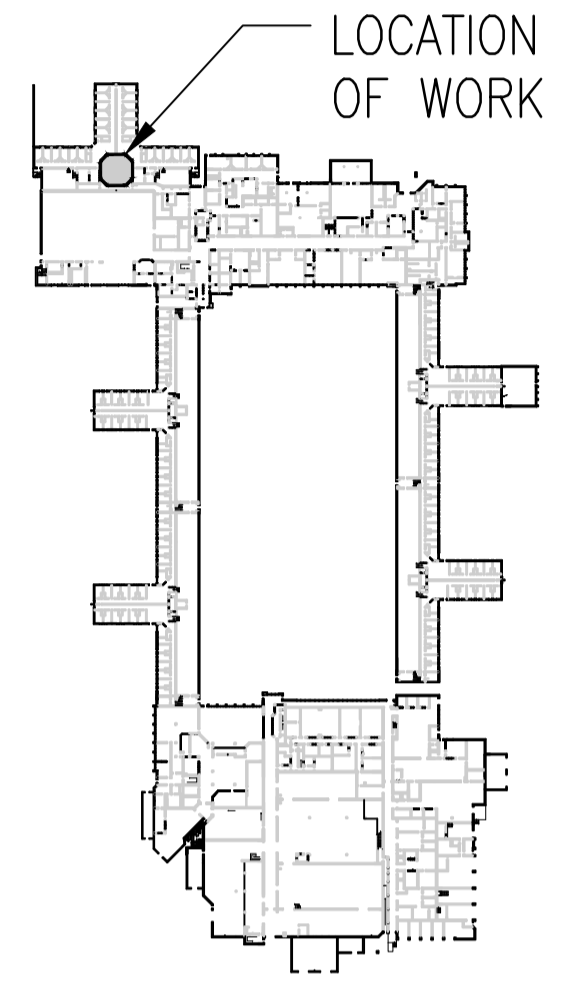
PWSC, Architectural and Engineering Resources Manager/
 Ressources Architectural et de Directeur d'Ingénierie, TPSC
PREETIPAL PAUL

Client/client
PWSC

Drawing title/Titre du dessin
GENERAL NOTES AND PHASING PLAN

Project No./No. du projet	Sheet/Fauille	Revision no./Lo Révision
R. 082441.001	A01 OF 18	1





BUILDING KEY PLAN



Revision/Revision	Description/Description	Date/Date
2	ISSUED FOR TENDER	2016/12/23
1	ISSUED FOR 99% REVIEW	2016/10/06

Client/client
PUBLIC WORKS AND GOVERNMENT SERVICES CANADA
219 - 800 BARRARD STREET
VANCOUVER, BC V6Z 0B9

Project title/Titre du projet
AGASSIZ, BC V0M 1A0
4732 CEMETERY ROAD
BUILDING J-K, KENT INSTITUTION
KENT SEGREGATION CONTROL POST GLAZING REPLACEMENT

Consultant Signature Only

Designed by/Concept par
EDWIN BERZINS

Drawn by/Dessiné par
MING HSU

PWGC Project Manager/Administrateur de Projets TPSCG
JOSKO DUJMOVIC

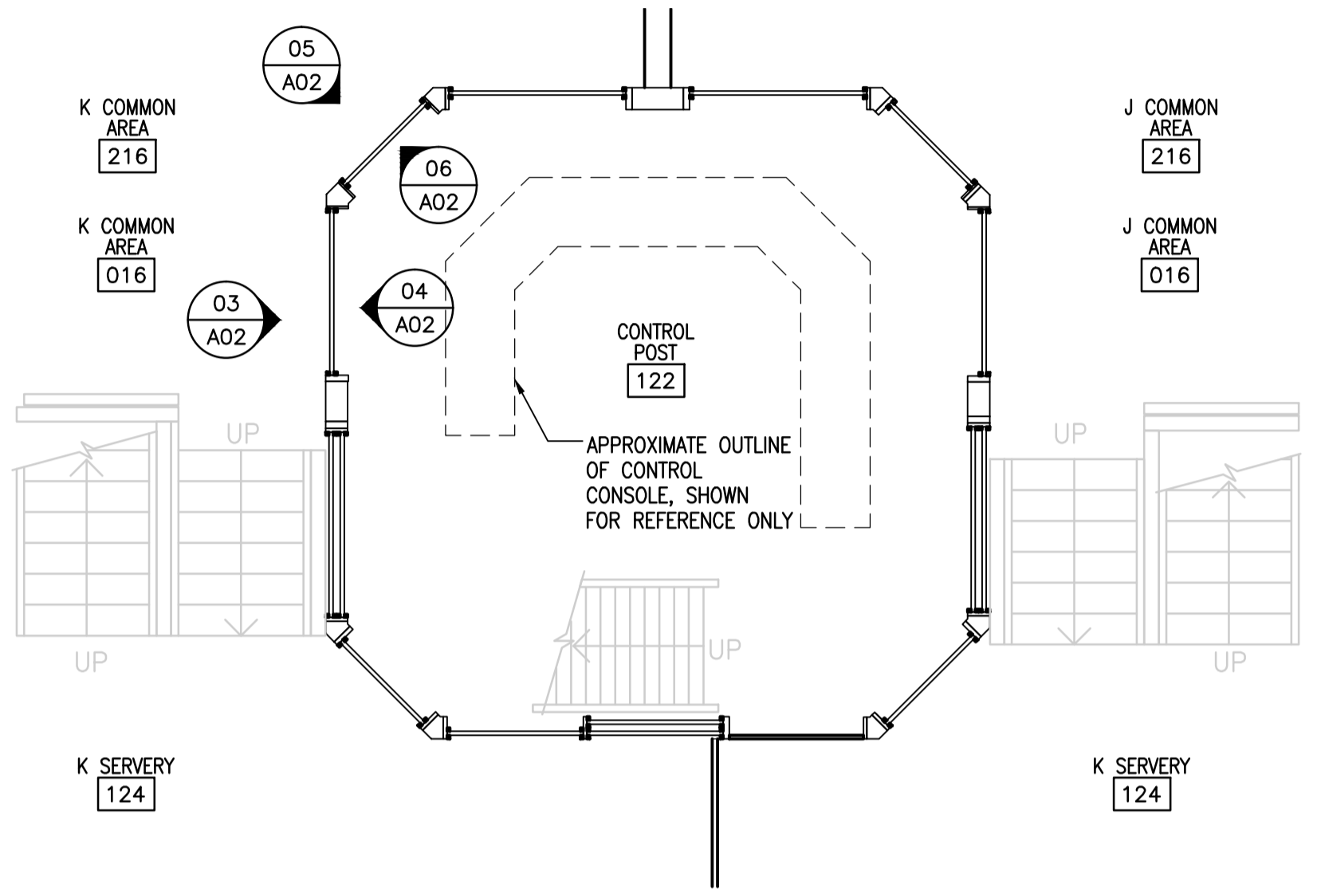
PWGC, Architectural and Engineering Resources Manager/
Ressources Architecturales et de Directeur d'Ingénierie, TPSCG
PREETIPAL PAUL

Client/client
PWGC

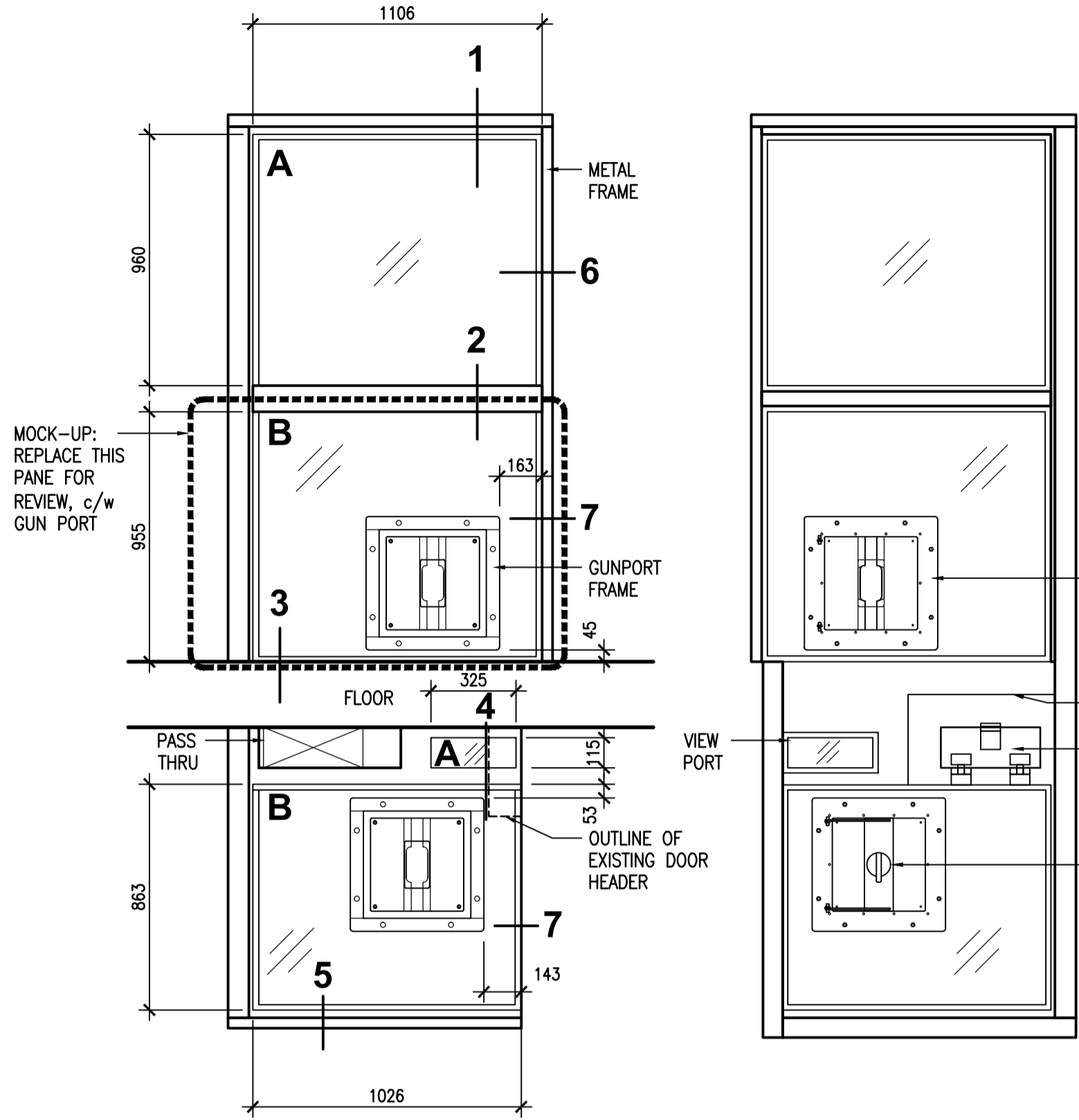
Drawing title/Titre du dessin

EXISTING PLANS, ELEVATIONS, AND DETAILS

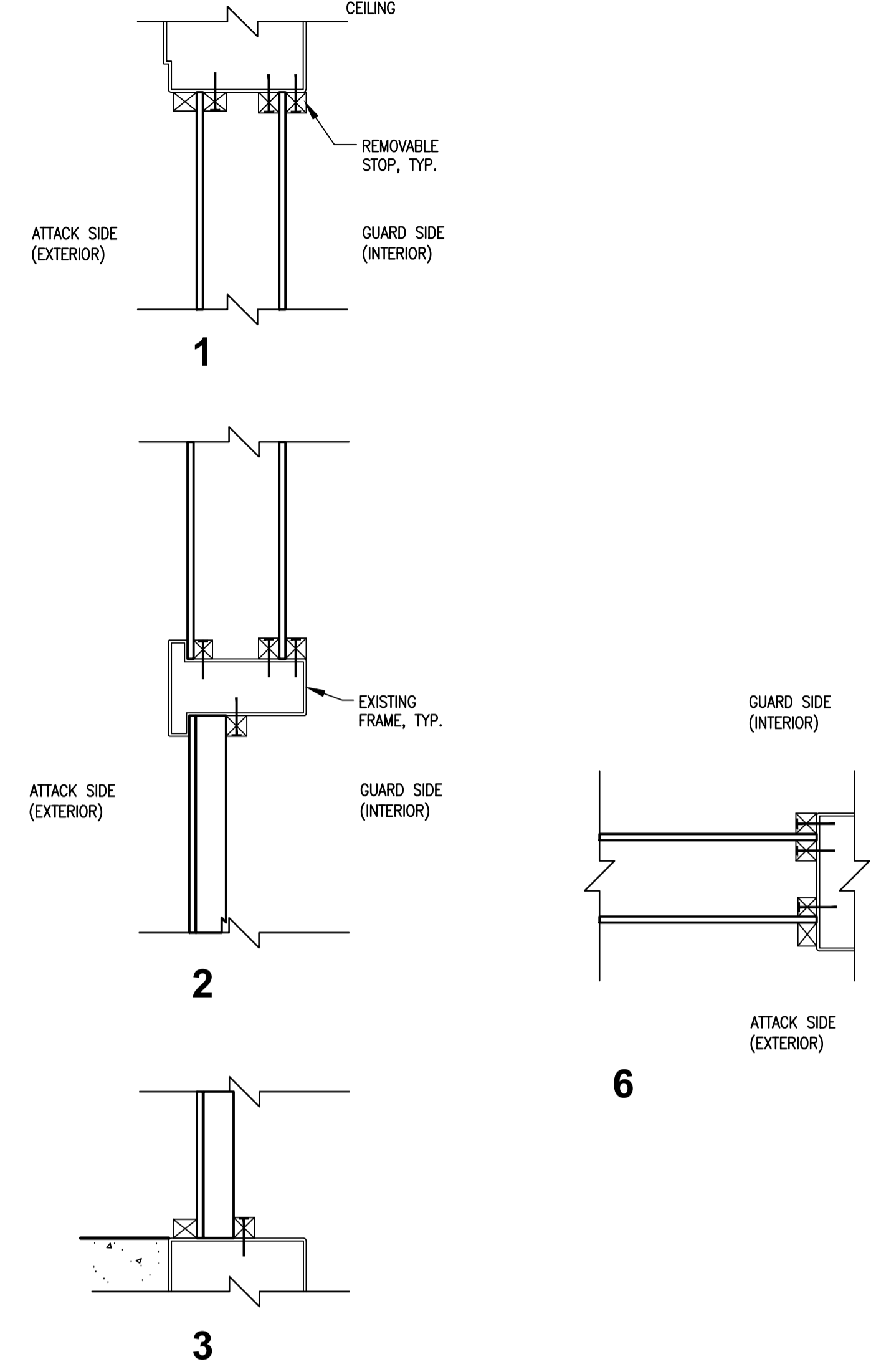
Project No./No. du projet R. 082441.001	Sheet/Feuille A02 OF 18	Revision no./ La Révision no. 2
---	--------------------------------------	--



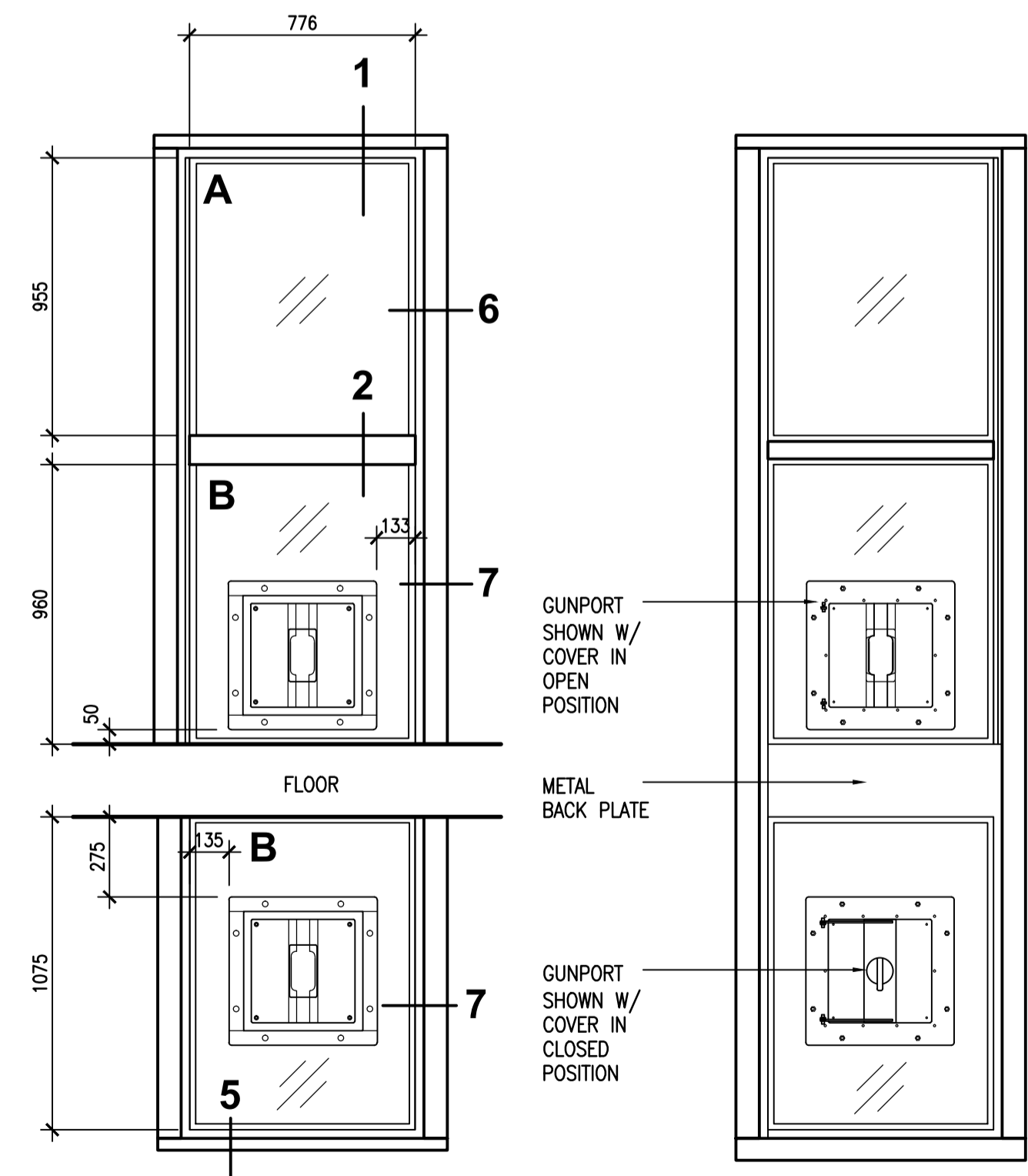
01 KEY PLAN
A02 N.T.S.



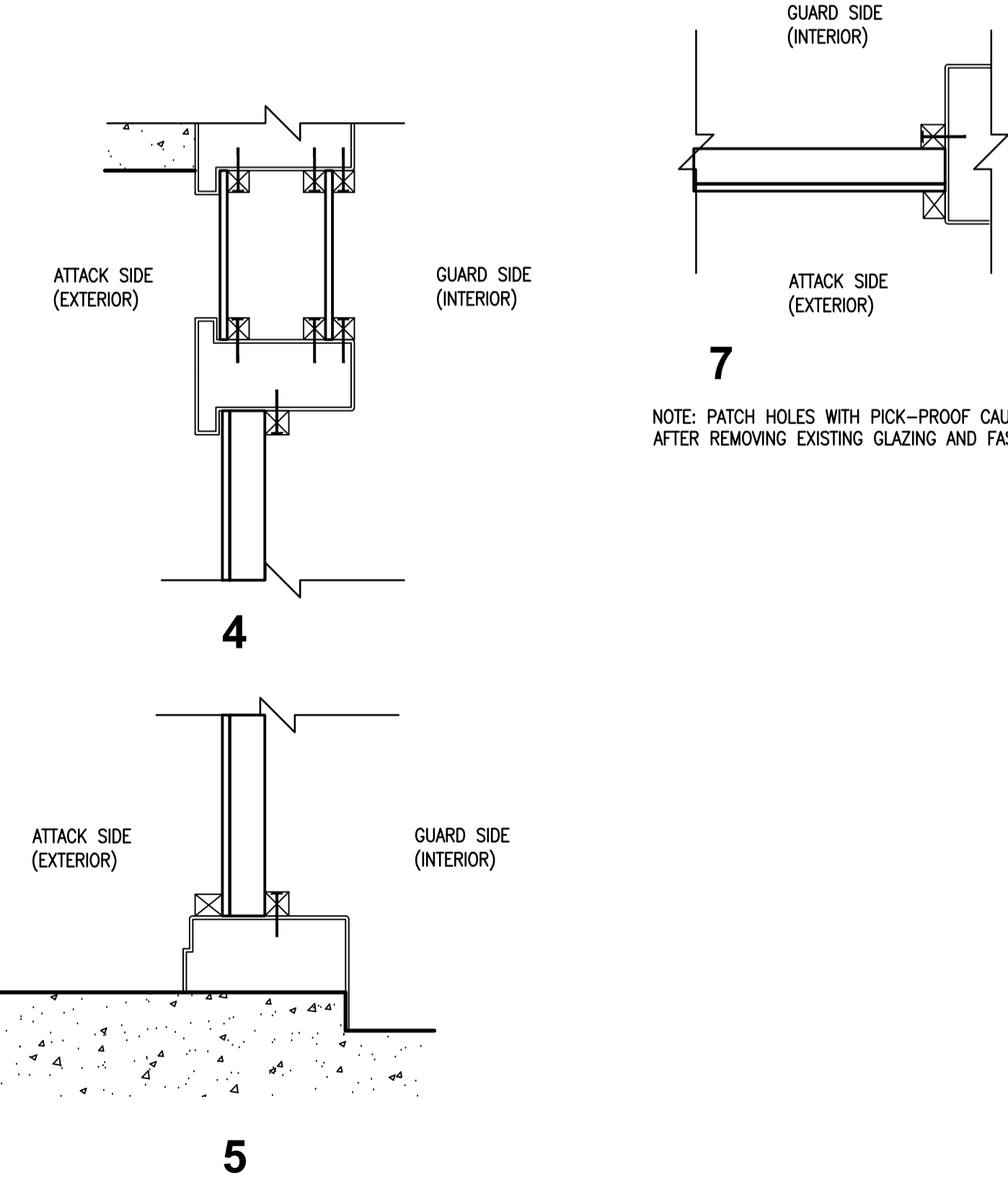
03 ATTACK SIDE ELEV. 1 : 20
04 GUARD SIDE ELEV. 1 : 20



05 ATTACK SIDE ELEV. 1 : 20
06 GUARD SIDE ELEV. 1 : 20



07 DETAILS 1 : 5



07 DETAILS 1 : 5

PROJECT CRITERIA

CONTROL POST TYPE: OBSERVATION CONTROL POST
GLAZING: GLAZING SHALL MEET THE EQUIVALENT H.P. WHITE RATING OF LEVEL C BALLISTICS AND LEVEL III FORCED ENTRY OR CLASS / LEVEL HG4 BALLISTICS (TABLE 1) AND CLASS IV FORCED ENTRY (TABLE 2, SEQUENCE 31) IN ASTM F1233-08. 32mm POLYCARBONATE LAMINATED (SP 1250) AS TESTED AND APPROVED BY HP WHITE.

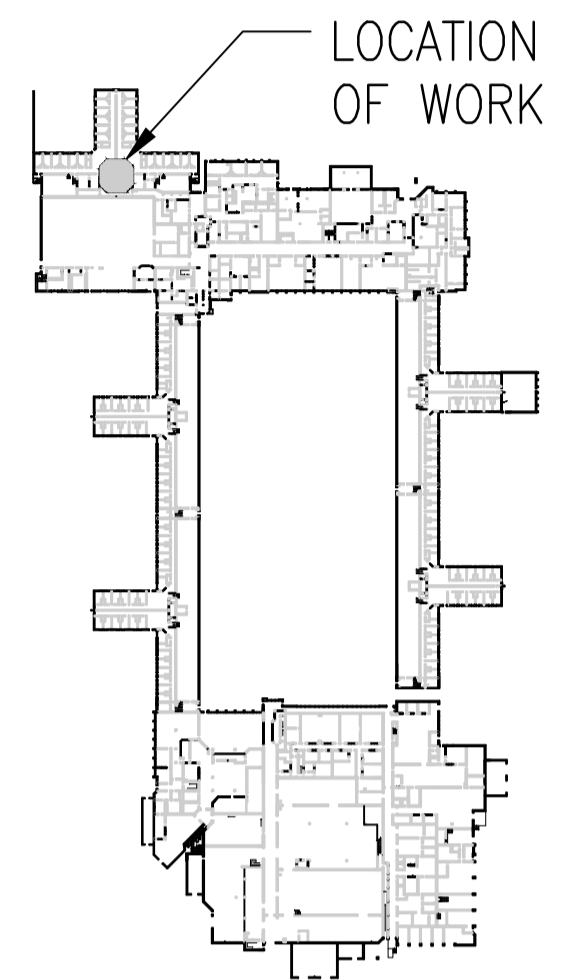
PROJECT SCOPE

1. PREPARE MOCK-UP FOR REVIEW.
2. REPLACE EXISTING GLAZING WITH NEW AS SCHEDULED.
3. REPLACE EXISTING WINDOW STOPS ON GUARD SIDE WITH NEW AS DETAILED.
4. REUSE EXISTING GUN PORTS, LOCATIONS TO MATCH EXISTING.
5. SUPPLY AND INSTALL NEW FASTENERS FOR GUN PORTS, SIZE AND TYPE TO MATCH EXISTING.
6. REPLACE EXISTING DOOR GLAZING WITH NEW AS SCHEDULED. * IMPORTANT: GLAZING REMOVAL AND INSTALLATION MUST BE COMPLETED SIMULTANEOUSLY FOR EACH PANE.
7. DISCARD EXISTING GLAZING AND GUARD-SIDE STOPS.
8. PAINT NEW WINDOW STOPS WITH RUST-RESISTANT GRAY PRIMER.
9. FINAL PAINT FINISH BY OTHERS.

EXISTING GLAZING SCHEDULE

TYPE	PANE	DESCRIPTION
A	DOUBLE PANE	-WIRE REINFORCED GLAZING ON ATTACK SIDE -CLEAR GLAZING ON GUARD SIDE
B	SINGLE PANE	-CLEAR SECURITY GLAZING
C	SINGLE PANE	-CLEAR DOOR GLAZING

02 PROJECT NOTES
A02 N.T.S.



BUILDING KEY PLAN



2	ISSUED FOR TENDER	2016/12/23
1	ISSUED FOR 99% REVIEW	2016/10/06

Revision/Revision Description/Description Date/Date

Client/client

PUBLIC WORKS AND GOVERNMENT SERVICES CANADA
219 - 800 BARRARD STREET
VANCOUVER, BC V6Z 0B9

Project title/Titre du projet
**AGASSIZ, BC V0M 1A0
4732 CEMETERY ROAD
BUILDING J-K, KENT INSTITUTION
KENT SEGREGATION CONTROL POST
GLAZING REPLACEMENT**

Consultant Signature Only

Designed by/Concept par
EDWIN BERZINS

Drawn by/Desainé par
MING HSU

PWGSC Project Manager/Administrateur de Projets TPSPC
JOSKO DUJMOVIC

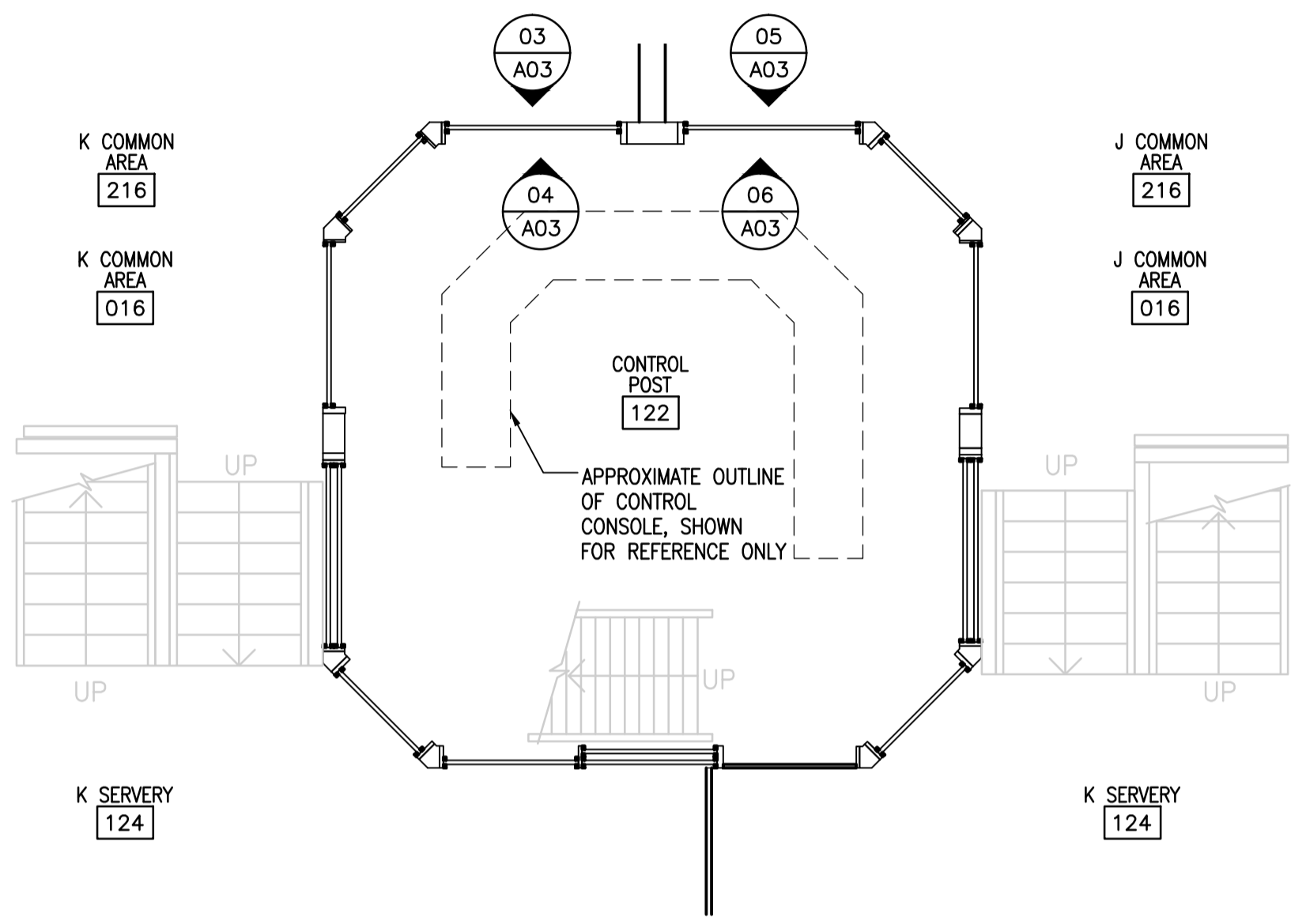
PWGSC, Architectural and Engineering Resources Manager/
Ressources Architectural et de Directeur d'Ingénierie, TPSPC
PREETIPAL PAUL

Client/client
PWGSC

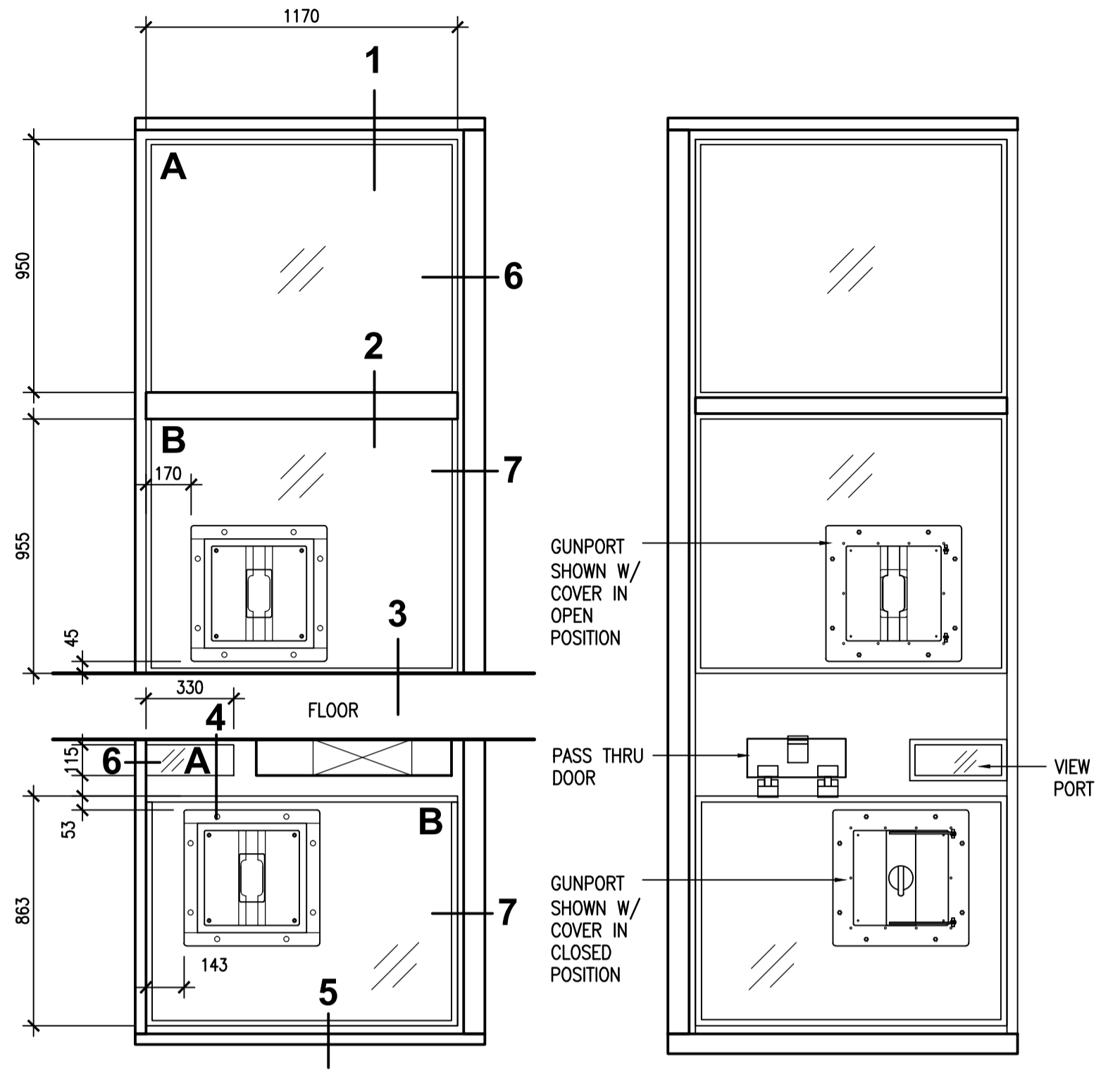
Drawing title/Titre du dessin

EXISTING PLANS, ELEVATIONS, AND DETAILS

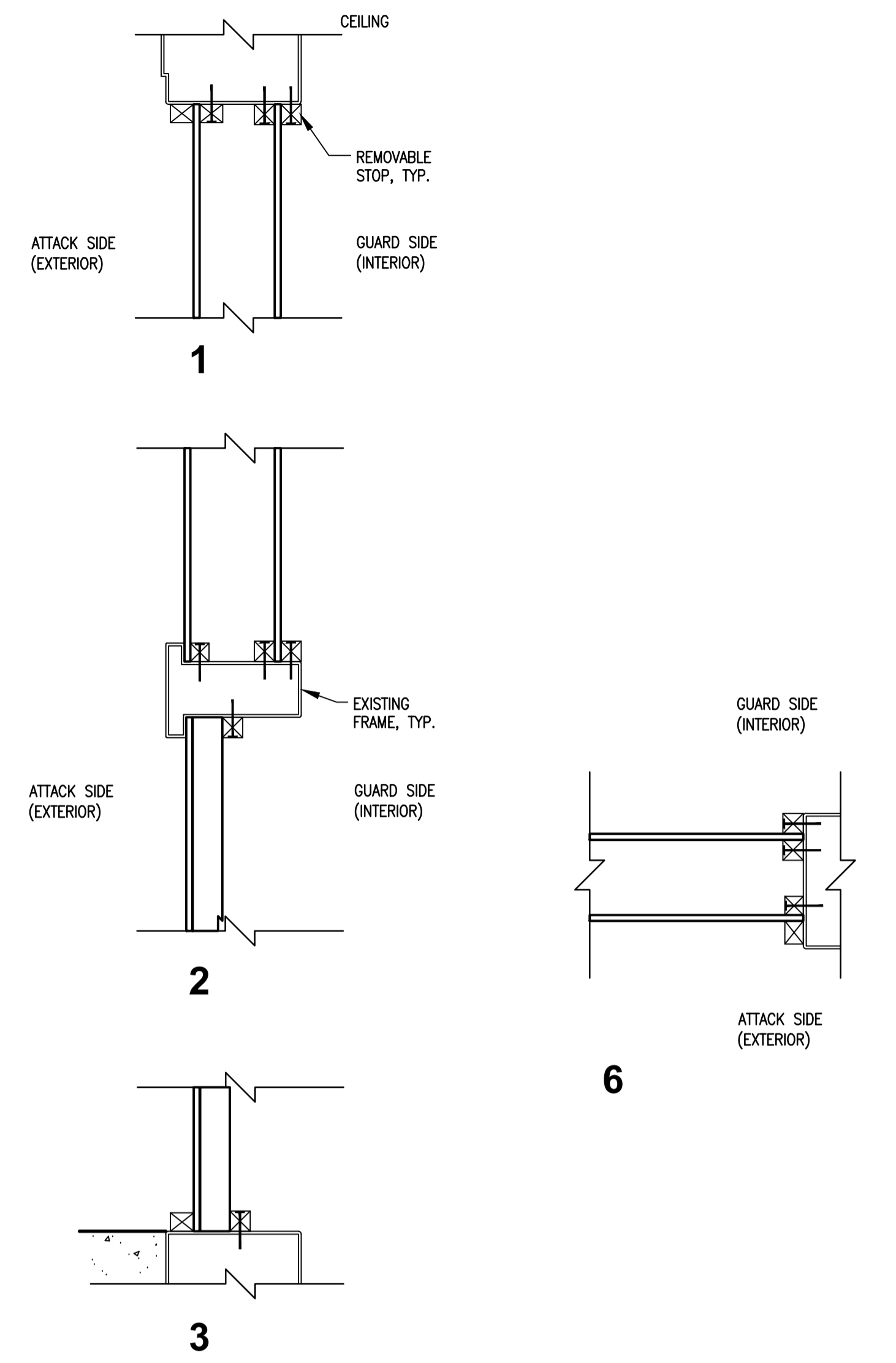
Project No./No. du projet R. 082441.001	Sheet/Feuille A03 OF 18	Revision no./ La Révision no. 2
---	--------------------------------------	--



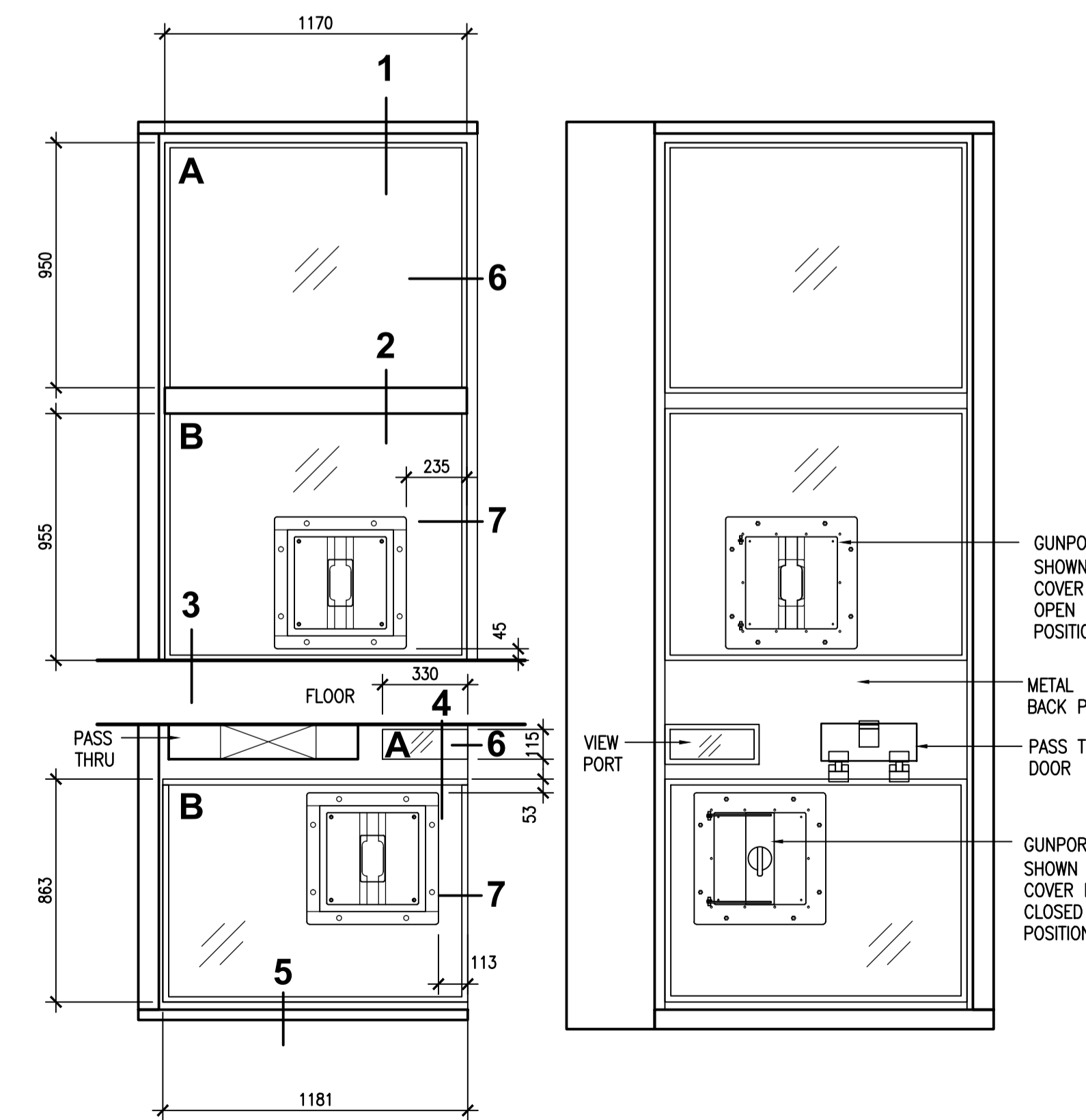
01 KEY PLAN
A03 N.T.S.



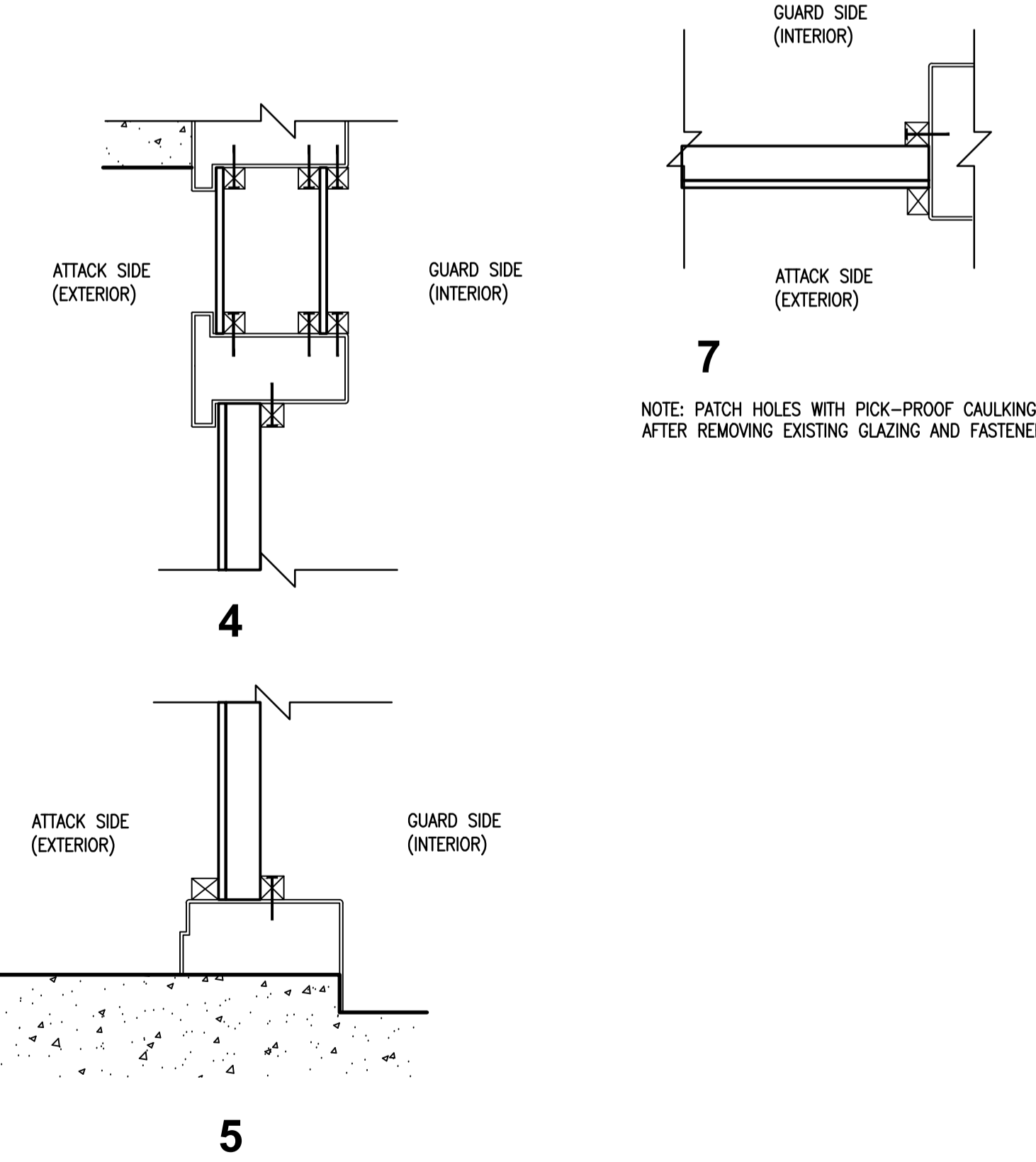
03 ATTACK SIDE ELEV. 1 : 20
04 GUARD SIDE ELEV. 1 : 20



07 DETAILS 1 : 5



05 ATTACK SIDE ELEV. 1 : 20
06 GUARD SIDE ELEV. 1 : 20



07 DETAILS 1 : 5

PROJECT CRITERIA

CONTROL POST TYPE: OBSERVATION CONTROL POST
GLAZING: GLAZING SHALL MEET THE EQUIVALENT H.P. WHITE RATING OF LEVEL C BALLISTICS AND LEVEL III FORCED ENTRY OR CLASS / LEVEL HG4 BALLISTICS (TABLE 1) AND CLASS IV FORCED ENTRY (TABLE 2, SEQUENCE 31) IN ASTM F1233-08. 32mm POLYCARBONATE LAMINATED (SP 1250) AS TESTED AND APPROVED BY HP WHITE.

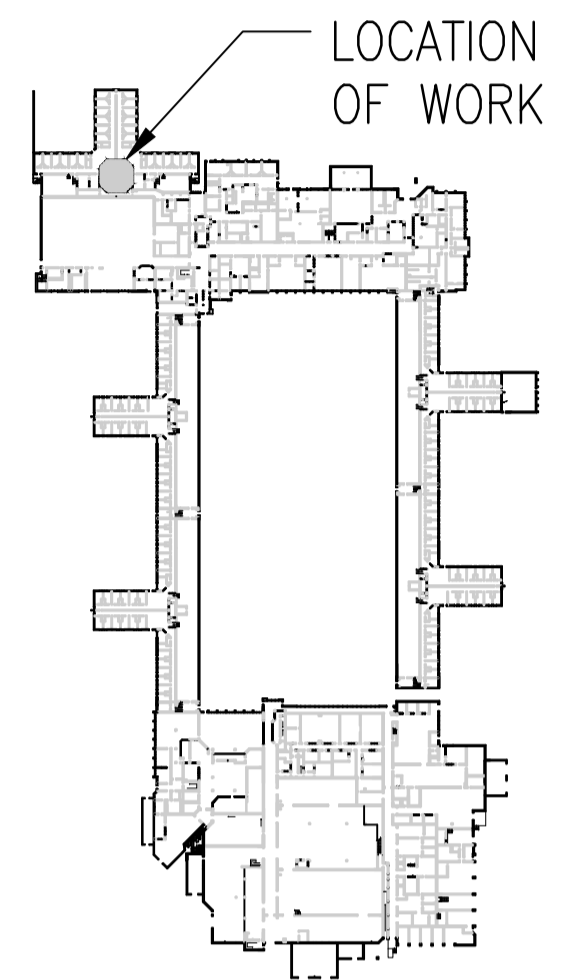
PROJECT SCOPE

1. PREPARE MOCK-UP FOR REVIEW.
2. REPLACE EXISTING GLAZING WITH NEW AS SCHEDULED.
3. REPLACE EXISTING WINDOW STOPS ON GUARD SIDE WITH NEW AS DETAILED.
4. REUSE EXISTING GUN PORTS, LOCATIONS TO MATCH EXISTING.
5. SUPPLY AND INSTALL NEW FASTENERS FOR GUN PORTS, SIZE AND TYPE TO MATCH EXISTING.
6. REPLACE EXISTING DOOR GLAZING WITH NEW AS SCHEDULED. * IMPORTANT: GLAZING REMOVAL AND INSTALLATION MUST BE COMPLETED SIMULTANEOUSLY FOR EACH PANE.
7. DISCARD EXISTING GLAZING AND GUARD-SIDE STOPS.
8. PAINT NEW WINDOW STOPS WITH RUST-RESISTANT GRAY PRIMER.
9. FINAL PAINT FINISH BY OTHERS.

EXISTING GLAZING SCHEDULE

TYPE	PANE	DESCRIPTION
A	DOUBLE PANE	-WIRE REINFORCED GLAZING ON ATTACK SIDE -CLEAR GLAZING ON GUARD SIDE
B	SINGLE PANE	-CLEAR SECURITY GLAZING
C	SINGLE PANE	-CLEAR DOOR GLAZING

02 PROJECT NOTES
A03 N.T.S.



BUILDING KEY PLAN



2	ISSUED FOR TENDER	2016/12/23
1	ISSUED FOR 99% REVIEW	2016/10/06

Revision/Description/Date/Date

Client/client
PUBLIC WORKS AND GOVERNMENT SERVICES CANADA
219 - 800 BARRARD STREET VANCOUVER, BC V6Z 0B9

Project title/Titre du projet
AGASSIZ, BC V0M 1A0
4732 CEMETERY ROAD
BUILDING J-K, KENT INSTITUTION
KENT SEGREGATION CONTROL POST GLAZING REPLACEMENT

Consultant Signature Only

Designed by/Concept par
EDWIN BERZINS

Drawn by/Dessiné par
MING HSU

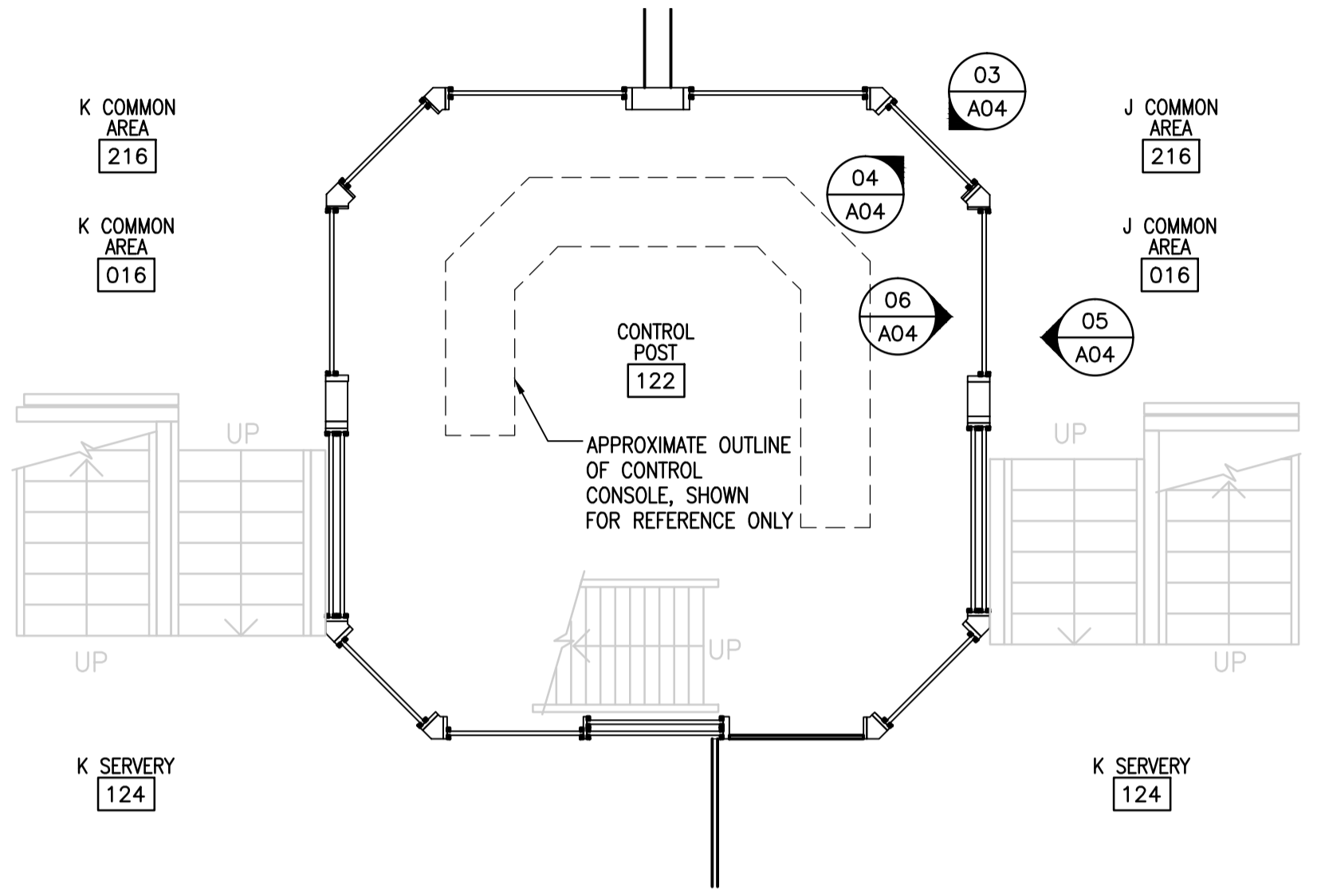
PWGSC Project Manager/Administrateur de Projets TPWSC
JOSKO DUJMOVIC

PWGSC, Architectural and Engineering Resources Manager/
Ressources Architecturales et de Directeur d'Ingénierie, TPWSC
PREETIPAL PAUL

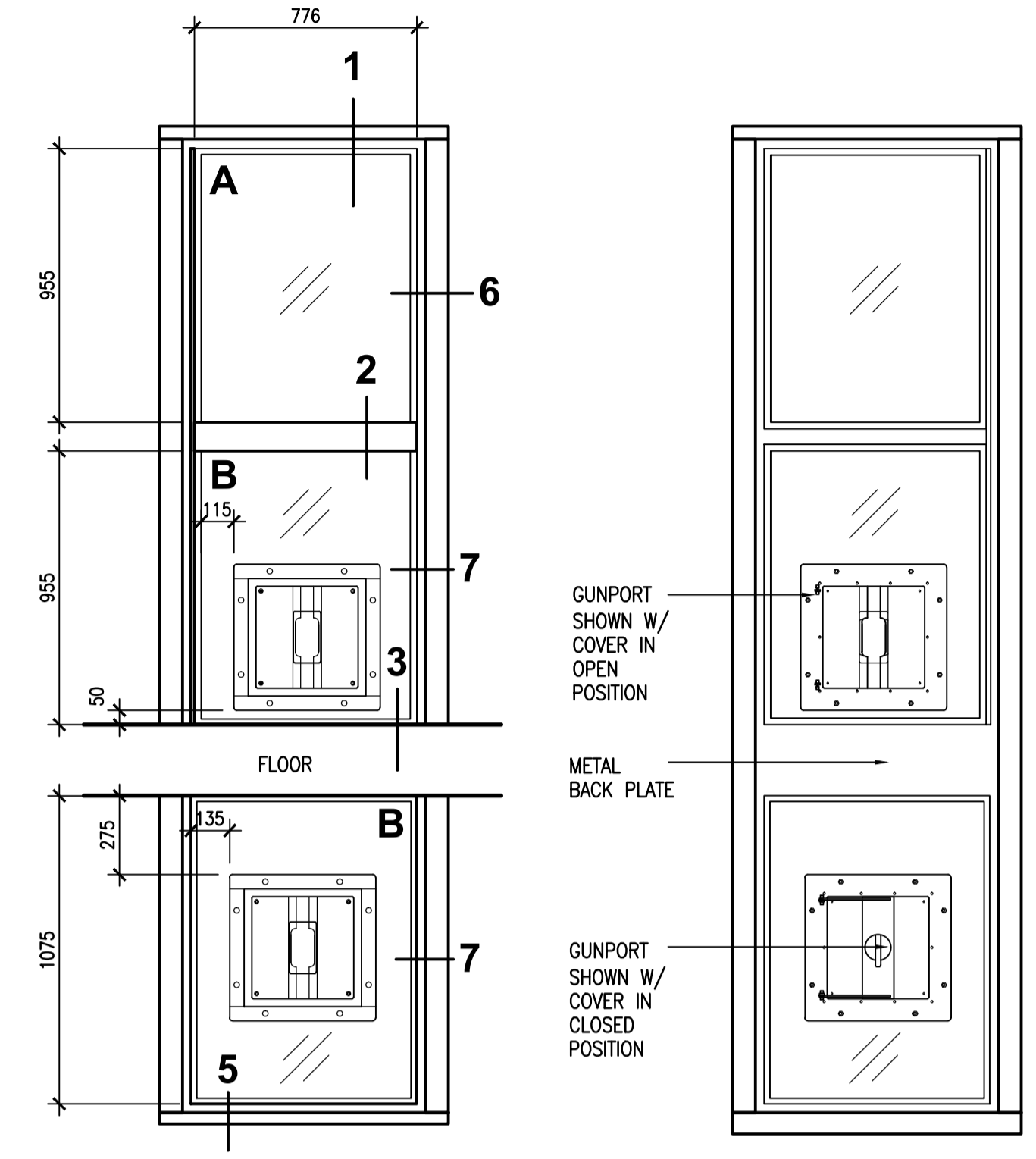
Client/client
PWGSC

Drawing title/Titre du dessin
EXISTING PLANS, ELEVATIONS, AND DETAILS

Project No./No. du projet R. 082441.001	Sheet/Feuille A04 OF 18	Revision no./ La Révision no. 2
--	--------------------------------------	--

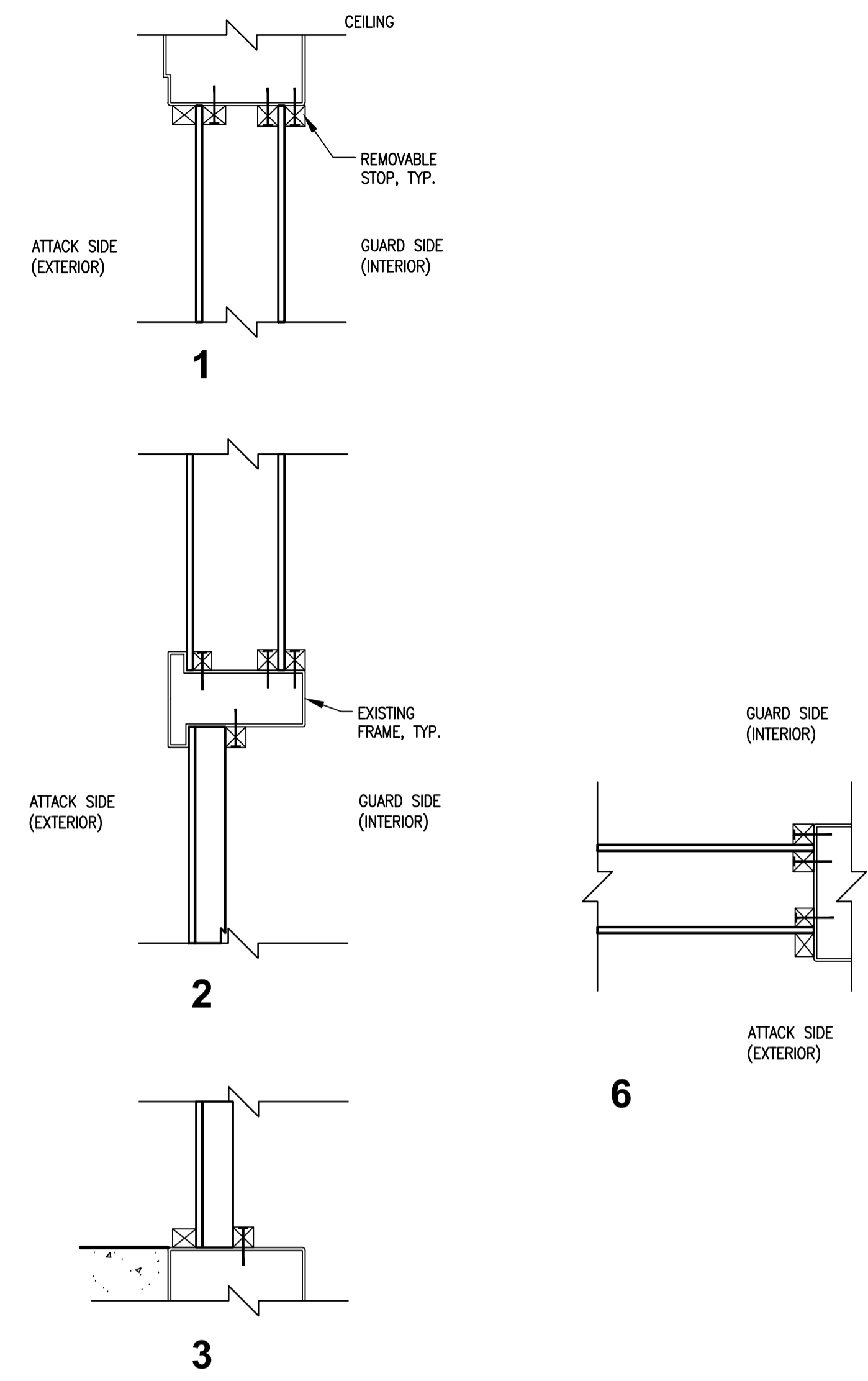


01 KEY PLAN
A04 N.T.S.

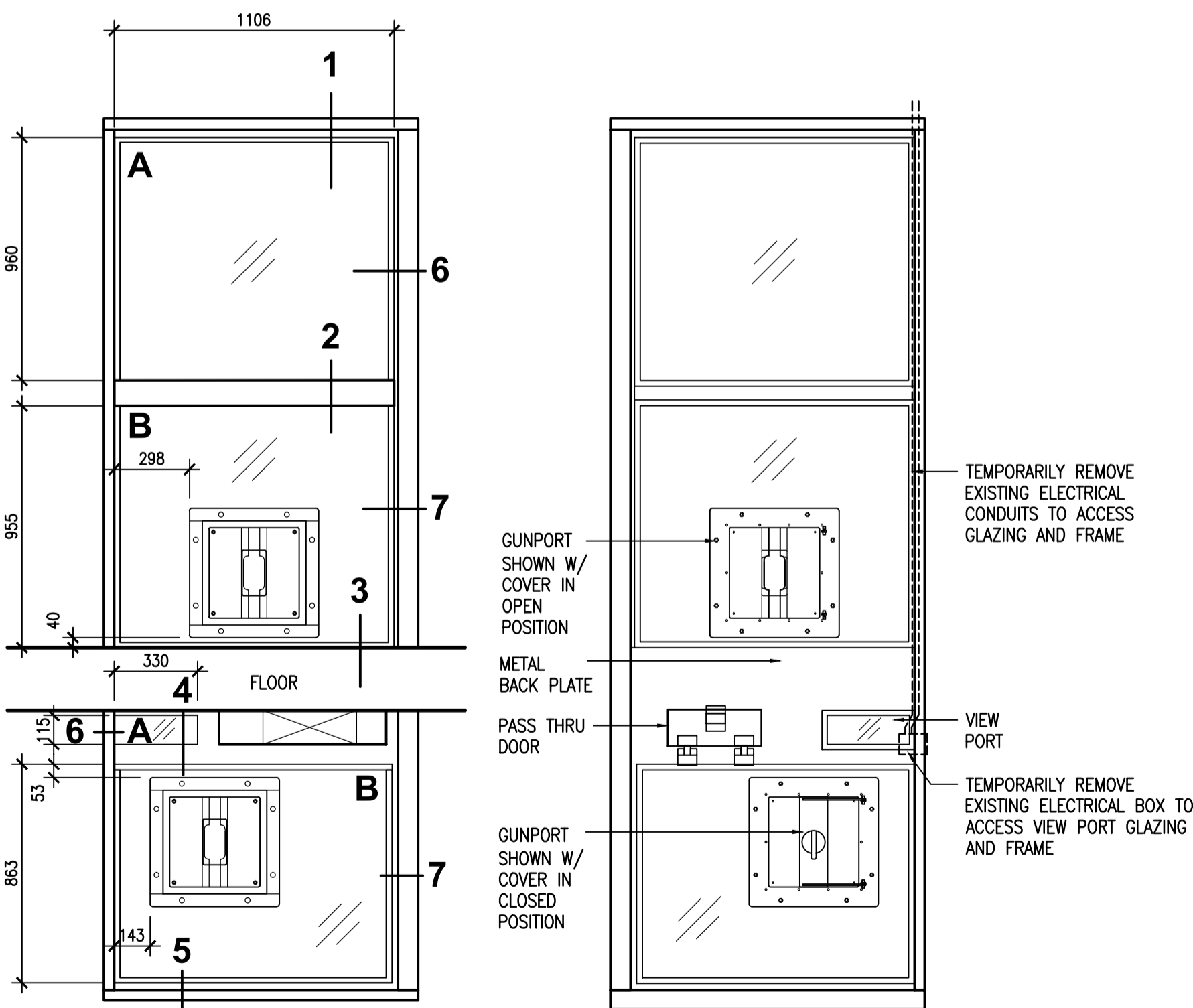


03 ATTACK SIDE ELEV.
A04 1 : 20

04 GUARD SIDE ELEV.
A04 1 : 20



07 DETAILS
A04 1 : 5



05 ATTACK SIDE ELEV.
A04 1 : 20

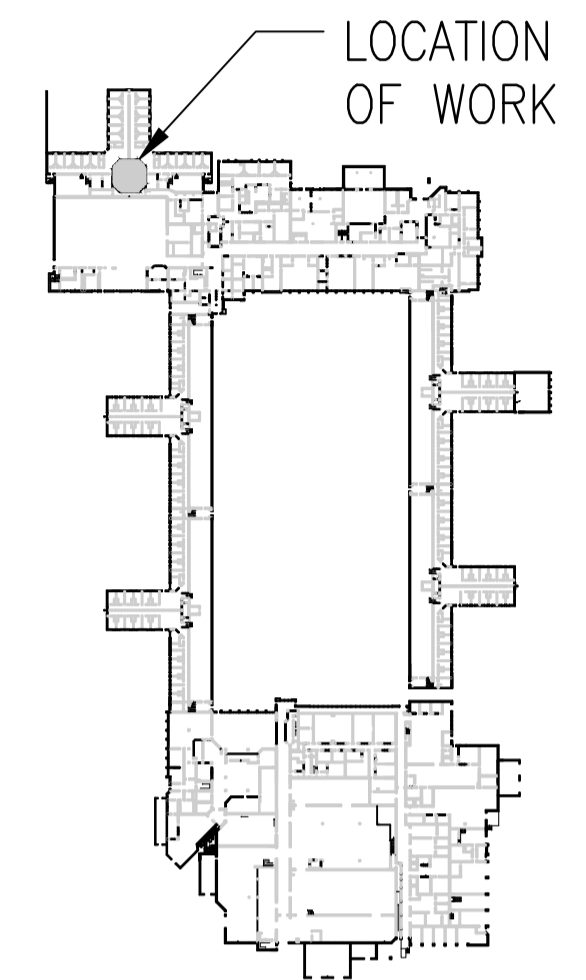
06 GUARD SIDE ELEV.
A04 1 : 20

PROJECT CRITERIA
CONTROL POST TYPE: OBSERVATION CONTROL POST
GLAZING: GLAZING SHALL MEET THE EQUIVALENT H.P. WHITE RATING OF LEVEL C BALLISTICS AND LEVEL III FORCED ENTRY OR CLASS / LEVEL HG4 BALLISTICS (TABLE 1) AND CLASS IV FORCED ENTRY (TABLE 2, SEQUENCE 31) IN ASTM F1233-08. 32mm POLYCARBONATE LAMINATED (SP 1250) AS TESTED AND APPROVED BY HP WHITE.

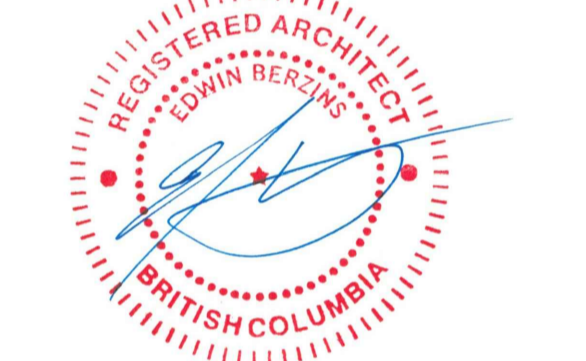
- PROJECT SCOPE
1. PREPARE MOCK-UP FOR REVIEW.
 2. REPLACE EXISTING GLAZING WITH NEW AS SCHEDULED.
 3. REPLACE EXISTING WINDOW STOPS ON GUARD SIDE WITH NEW AS DETAILED.
 4. REUSE EXISTING GUN PORTS, LOCATIONS TO MATCH EXISTING.
 5. SUPPLY AND INSTALL NEW FASTENERS FOR GUN PORTS, SIZE AND TYPE TO MATCH EXISTING.
 6. REPLACE EXISTING DOOR GLAZING WITH NEW AS SCHEDULED. * IMPORTANT: GLAZING REMOVAL AND INSTALLATION MUST BE COMPLETED SIMULTANEOUSLY FOR EACH PANE
 7. DISCARD EXISTING GLAZING AND GUARD-SIDE STOPS.
 8. PAINT NEW WINDOW STOPS WITH RUST-RESISTANT GRAY PRIMER.
 9. FINAL PAINT FINISH BY OTHERS.

TYPE	PANE	DESCRIPTION
A	DOUBLE PANE	-WIRE REINFORCED GLAZING ON ATTACK SIDE -CLEAR GLAZING ON GUARD SIDE
B	SINGLE PANE	-CLEAR SECURITY GLAZING
C	SINGLE PANE	-CLEAR DOOR GLAZING

02 PROJECT NOTES
A04 N.T.S.



BUILDING KEY PLAN



2	ISSUED FOR TENDER	2016/12/23
1	ISSUED FOR 99% REVIEW	2016/10/06

Client/client

PUBLIC WORKS AND GOVERNMENT SERVICES CANADA
219 - 800 BARRARD STREET
VANCOUVER, BC V6Z 0B9

Project title/Titre du projet
**AGASSIZ, BC V0M 1A0
4732 CEMETERY ROAD
BUILDING J-K, KENT INSTITUTION**
**KENT SEGREGATION CONTROL POST
GLAZING REPLACEMENT**

Consultant Signature Only

Designed by/Concept par
EDWIN BERZINS

Drawn by/Dessiné par
MING HSU

PWGC Project Manager/Administrateur de Projets TPSC
JOSKO DUJMOVIC

PWGC, Architectural and Engineering Resources Manager/
Ressources Architecturales et de Directeur d'Ingénierie, TPSC
PREETIPAL PAUL

Client/client
PWGC

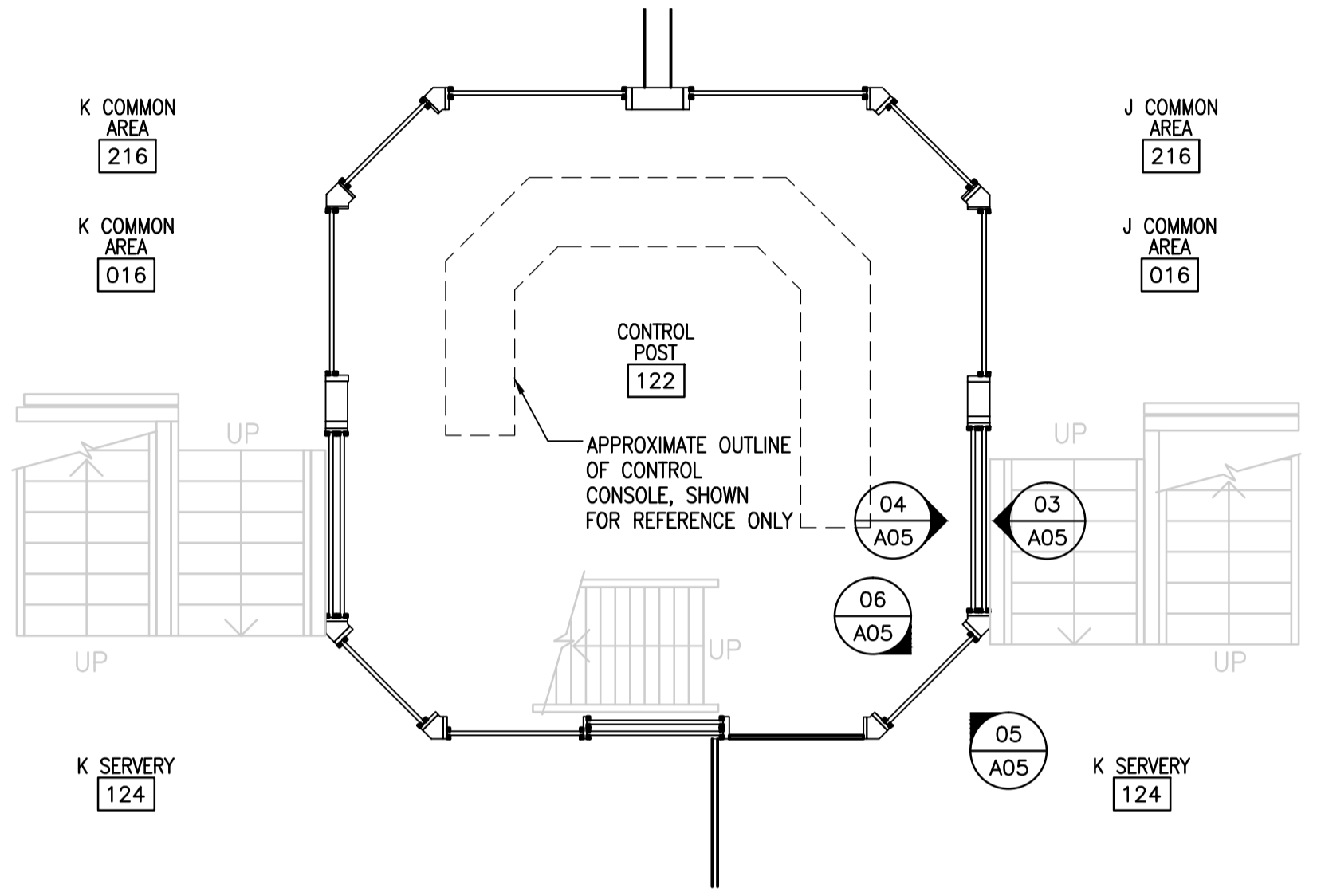
Drawing title/Titre du dessin

**EXISTING PLANS,
ELEVATIONS,
AND DETAILS**

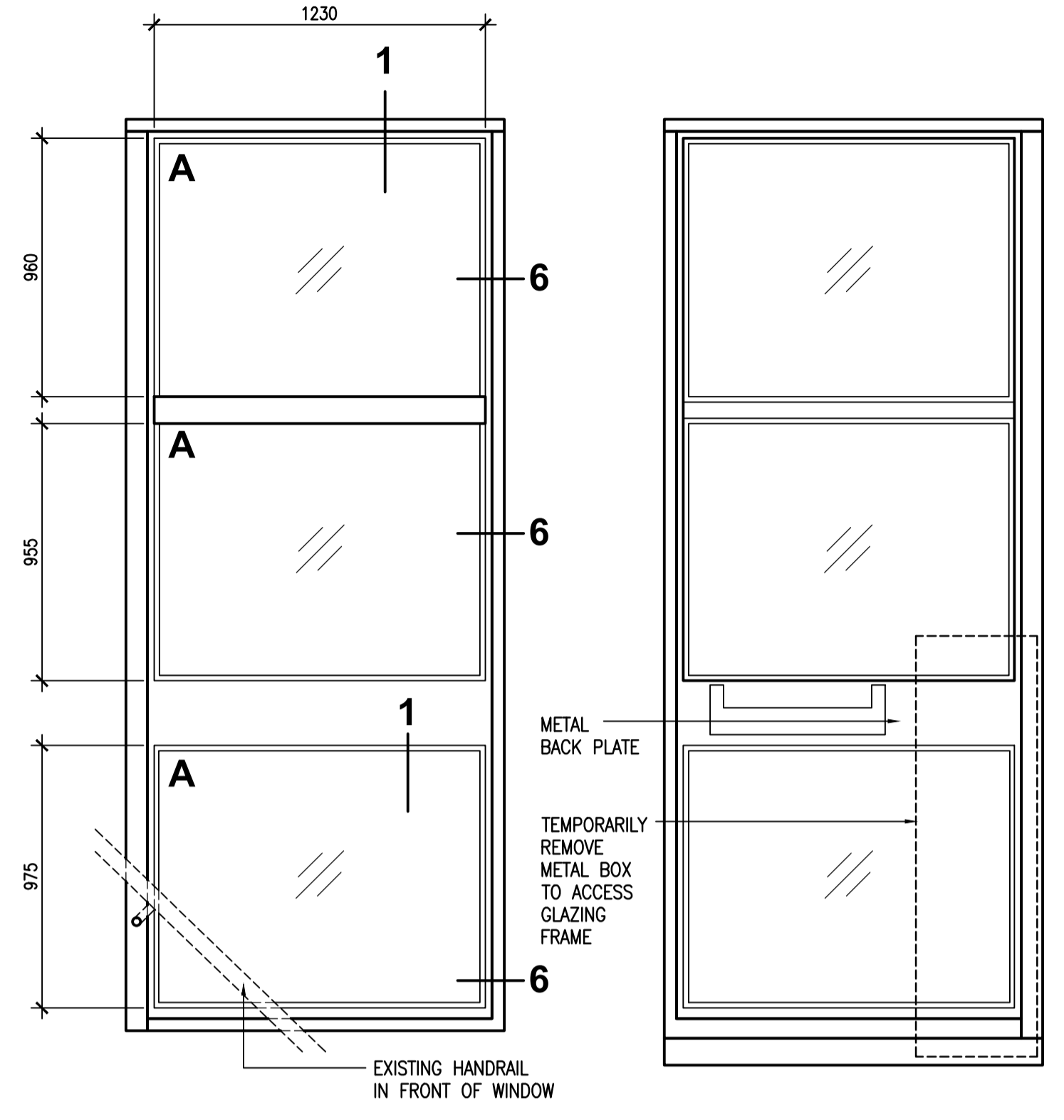
Project No./No. du projet
R. 082441.001

Sheet/Feuille
A05
OF 18

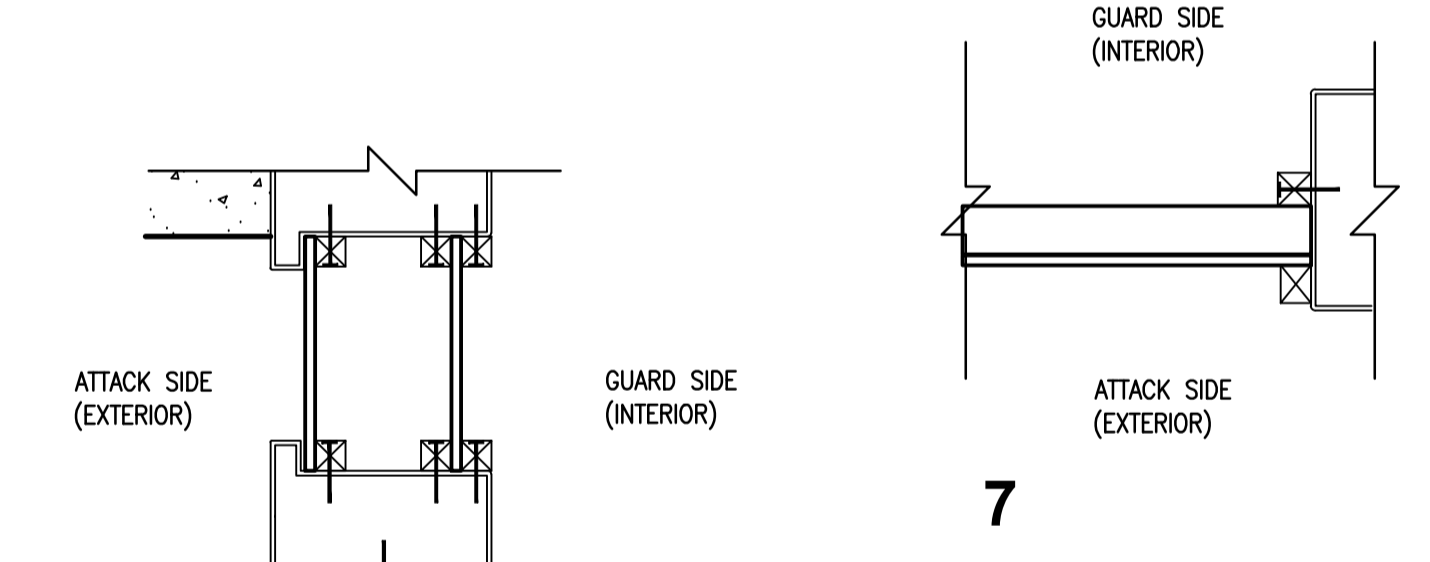
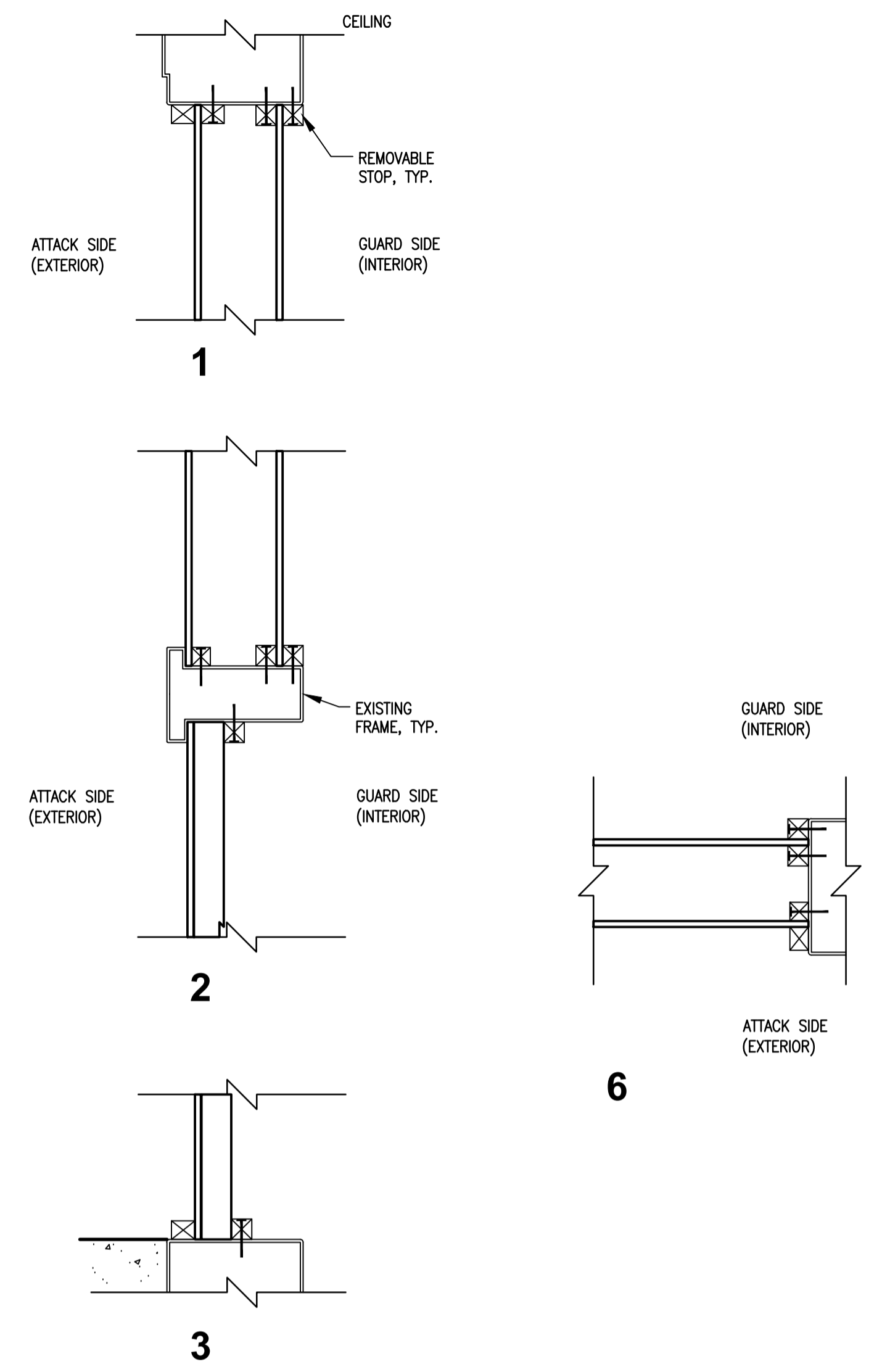
Revision no./
La Révision
no.
2



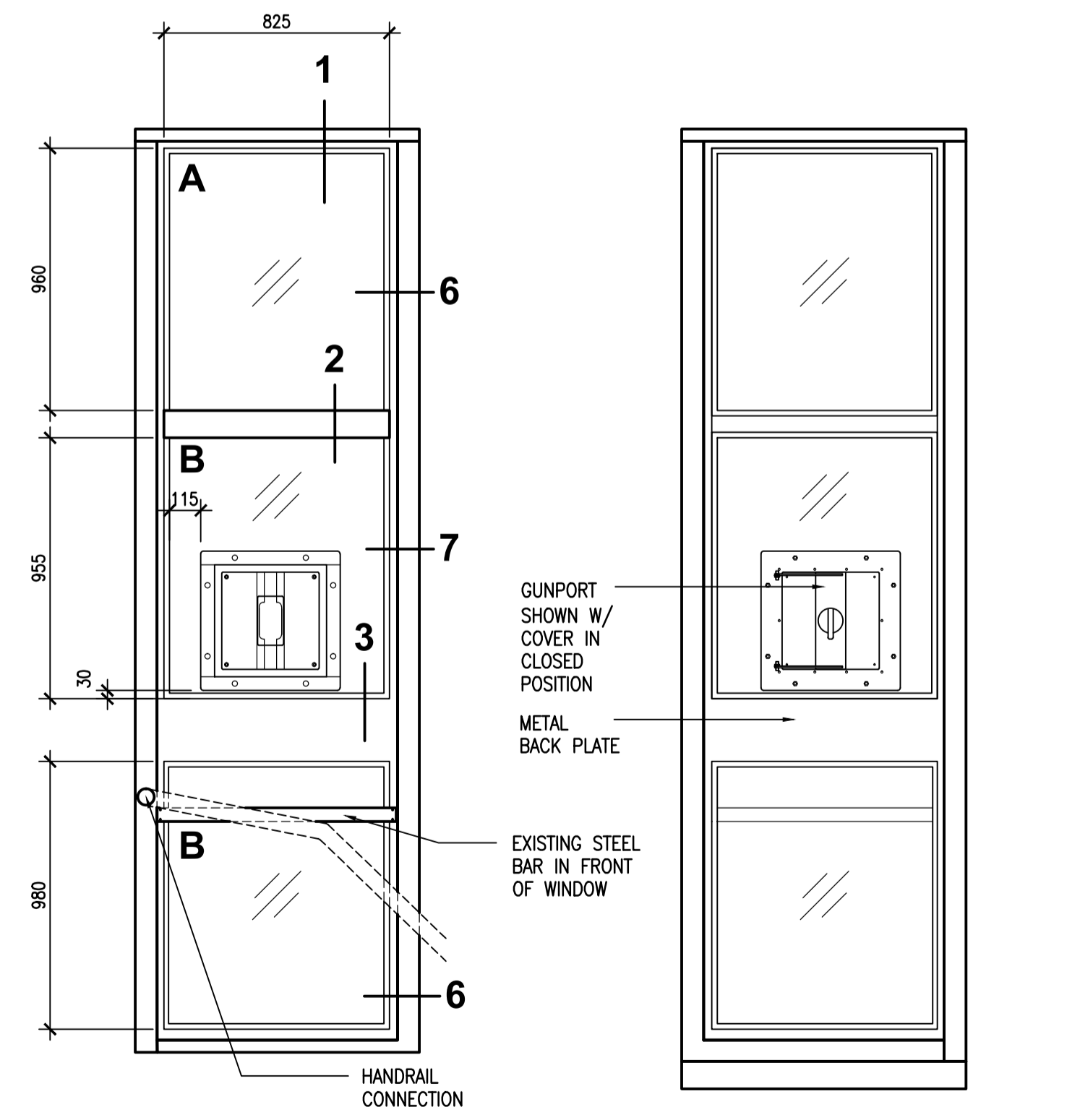
01 KEY PLAN
A05 N.T.S.



03 ATTACK SIDE 1 : 20
04 GUARD SIDE 1 : 20



07 DETAILS 1 : 5



05 ATTACK SIDE 1 : 20
06 GUARD SIDE 1 : 20

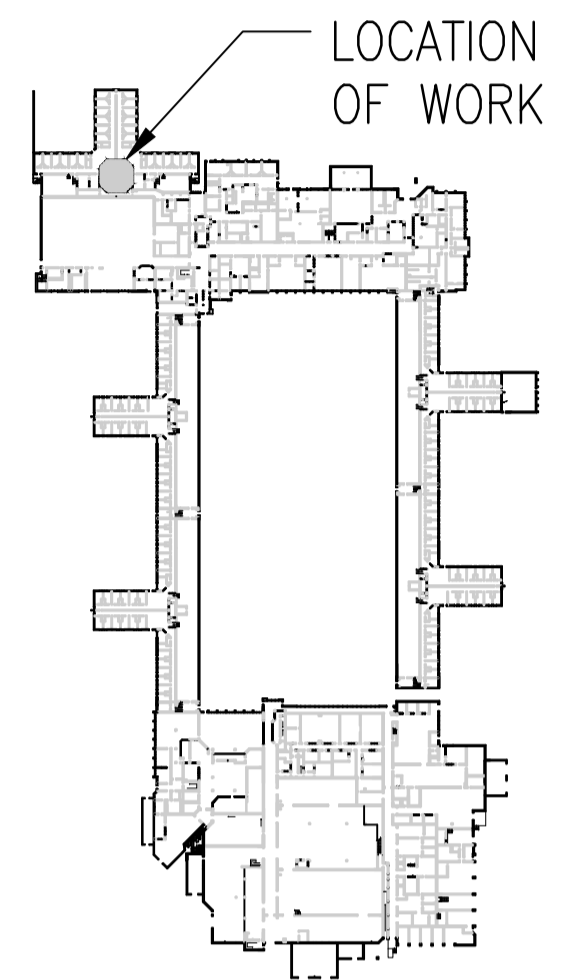
PROJECT CRITERIA
CONTROL POST TYPE: OBSERVATION CONTROL POST
GLAZING: GLAZING SHALL MEET THE EQUIVALENT H.P. WHITE RATING OF LEVEL C BALLISTICS AND LEVEL III FORCED ENTRY OR CLASS / LEVEL HG4 BALLISTICS (TABLE 1) AND CLASS IV FORCED ENTRY (TABLE 2, SEQUENCE 31) IN ASTM F1233-08. 32mm POLYCARBONATE LAMINATED (SP 1250) AS TESTED AND APPROVED BY HP WHITE.

- PROJECT SCOPE**
1. PREPARE MOCK-UP FOR REVIEW.
 2. REPLACE EXISTING GLAZING WITH NEW AS SCHEDULED.
 3. REPLACE EXISTING WINDOW STOPS ON GUARD SIDE WITH NEW AS DETAILED.
 4. REUSE EXISTING GUN PORTS, LOCATIONS TO MATCH EXISTING.
 5. SUPPLY AND INSTALL NEW FASTENERS FOR GUN PORTS, SIZE AND TYPE TO MATCH EXISTING.
 6. REPLACE EXISTING DOOR GLAZING WITH NEW AS SCHEDULED. * IMPORTANT: GLAZING REMOVAL AND INSTALLATION MUST BE COMPLETED SIMULTANEOUSLY FOR EACH PANE.
 7. DISCARD EXISTING GLAZING AND GUARD-SIDE STOPS.
 8. PAINT NEW WINDOW STOPS WITH RUST-RESISTANT GRAY PRIMER.
 9. FINAL PAINT FINISH BY OTHERS.

EXISTING GLAZING SCHEDULE

TYPE	PANE	DESCRIPTION
A	DOUBLE PANE	-WIRE REINFORCED GLAZING ON ATTACK SIDE -CLEAR GLAZING ON GUARD SIDE
B	SINGLE PANE	-CLEAR SECURITY GLAZING
C	SINGLE PANE	-CLEAR DOOR GLAZING

02 PROJECT NOTES
A05 N.T.S.



BUILDING KEY PLAN



Revision/Revision	Description/Description	Date/Date
2	ISSUED FOR TENDER	2016/12/23
1	ISSUED FOR 99% REVIEW	2016/10/06

Client/client

PUBLIC WORKS AND GOVERNMENT SERVICES CANADA
219 - 800 BARRARD STREET
VANCOUVER, BC V6Z 0B9

Project title/Titre du projet
**AGASSIZ, BC V0M 1A0
4732 CEMETERY ROAD
BUILDING J-K, KENT INSTITUTION
KENT SEGREGATION CONTROL POST
GLAZING REPLACEMENT**

Consultant Signature Only

Designed by/Concept par
EDWIN BERZINS

Drawn by/Dessiné par
MING HSU

PWGC Project Manager/Administrateur de Projets TPSC
JOSKO DUJMOVIC

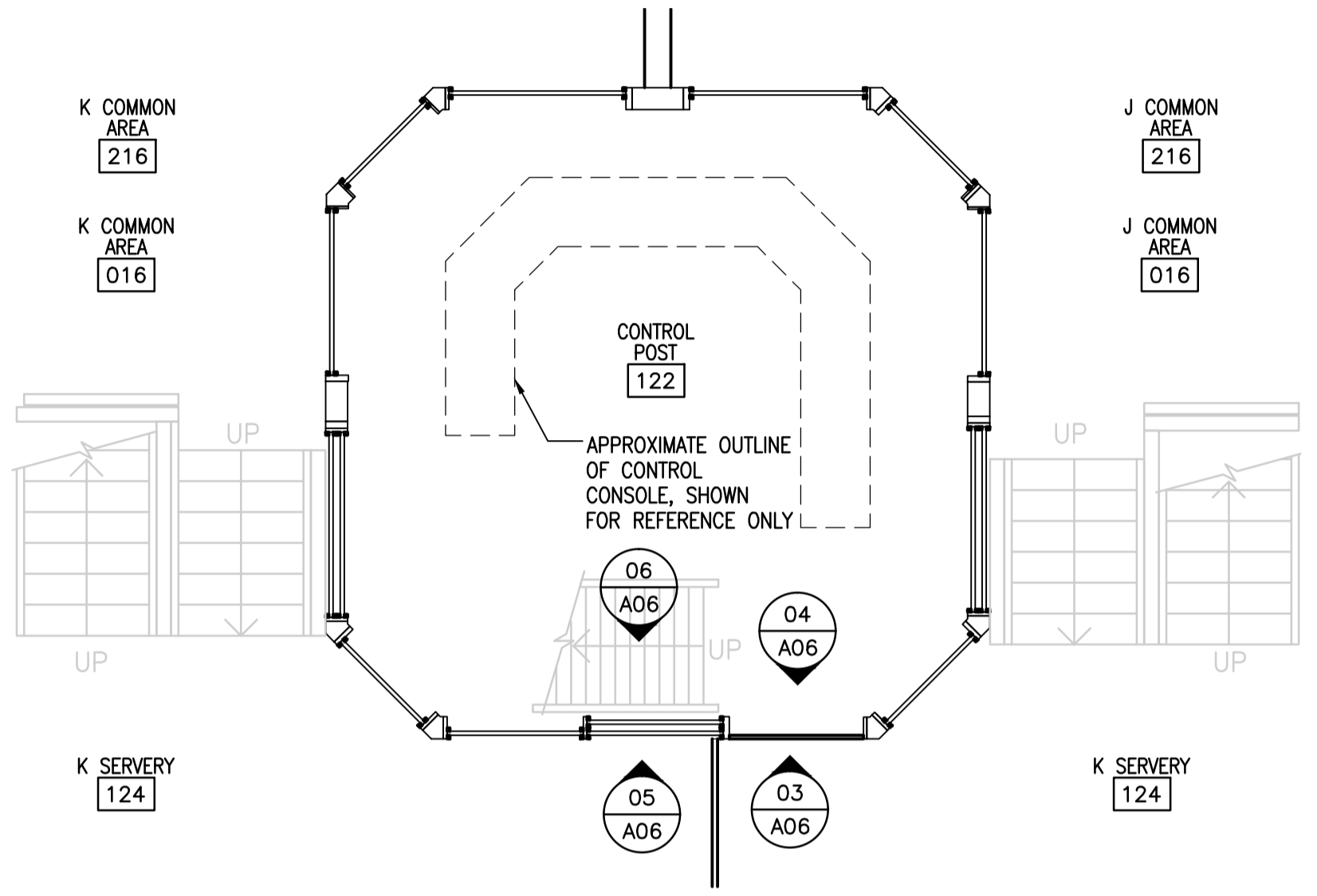
PWGC, Architectural and Engineering Resources Manager/
Ressources Architecturales et de Directeur d'Ingénierie, TPSC
PREETIPAL PAUL

Client/client
PWGC

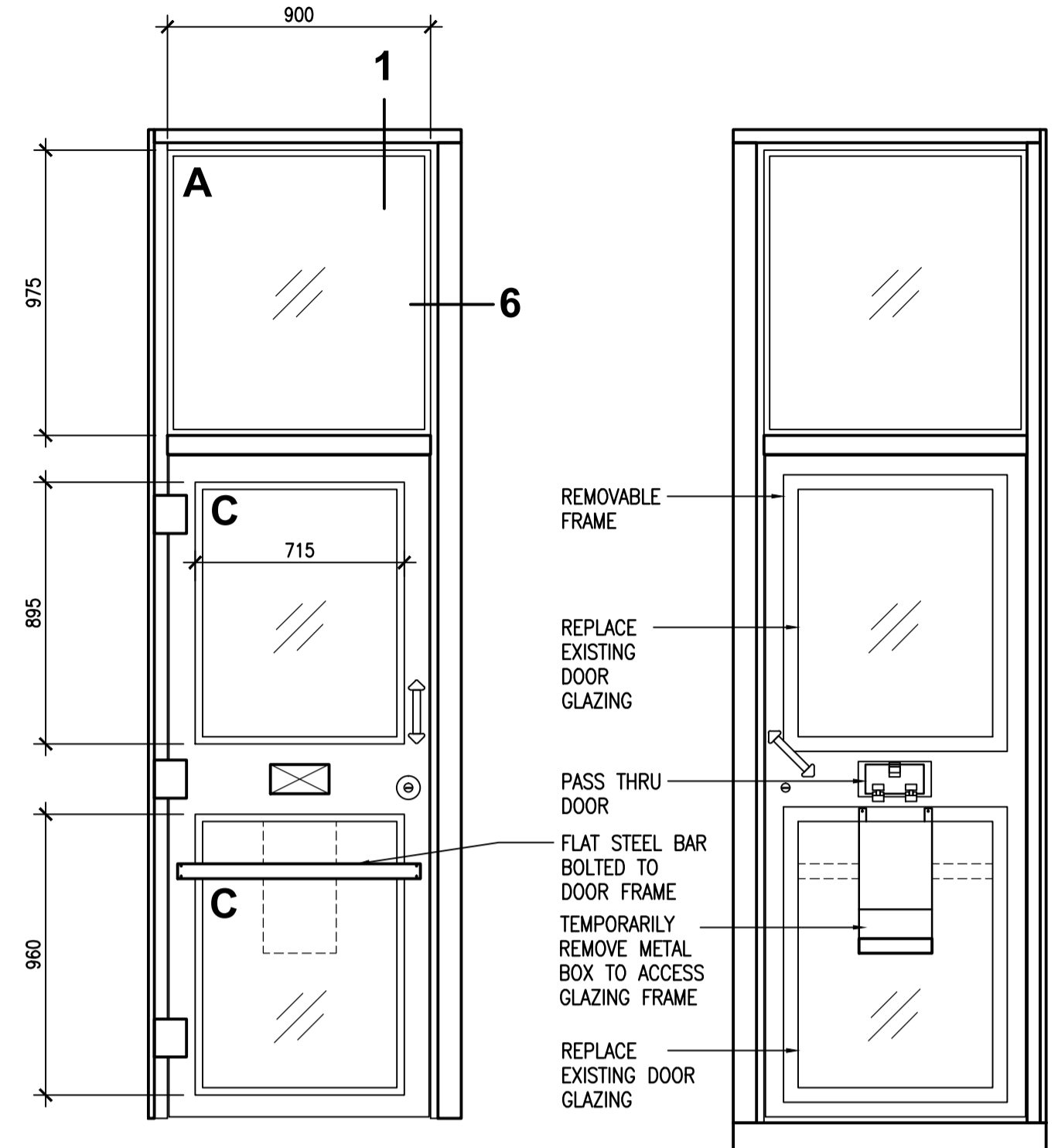
Drawing title/Titre du dessin

EXISTING PLANS, ELEVATIONS, AND DETAILS

Project No./No. du projet R. 082441.001	Sheet/Feuille A06 OF 18	Revision no./ La Révision no. 2
---	--------------------------------------	--

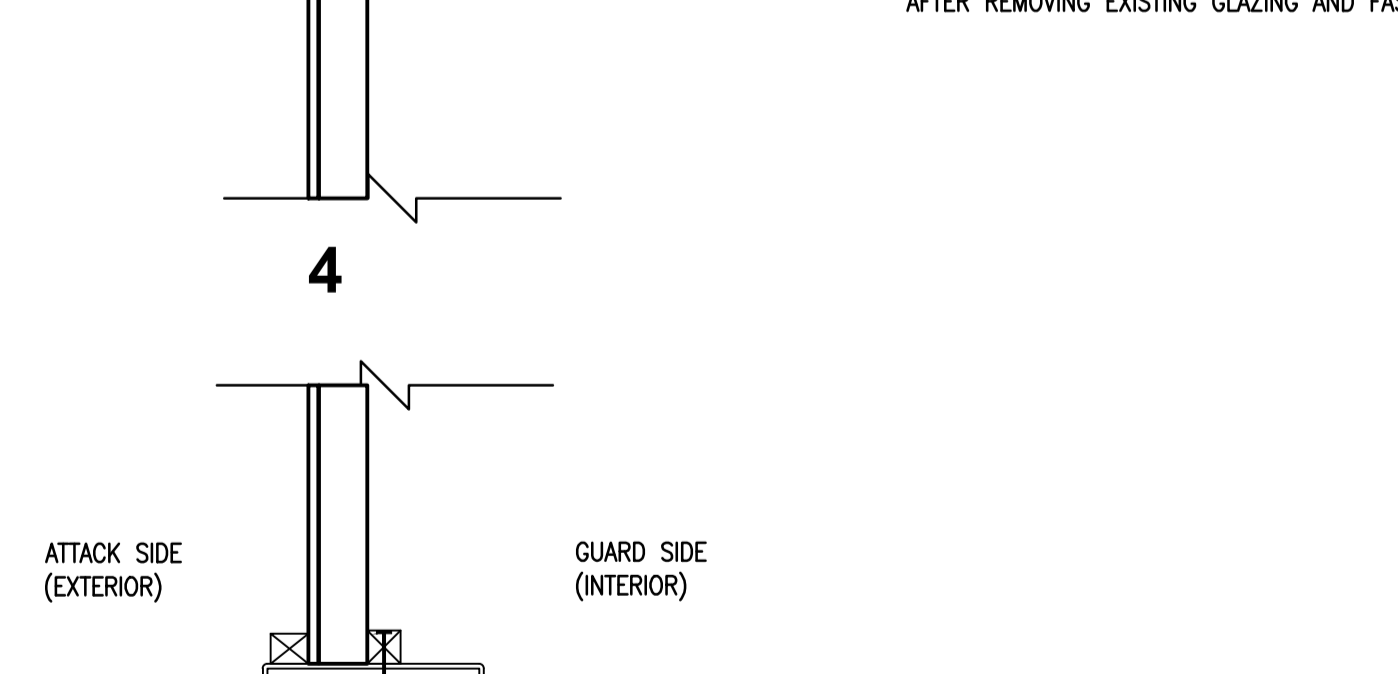
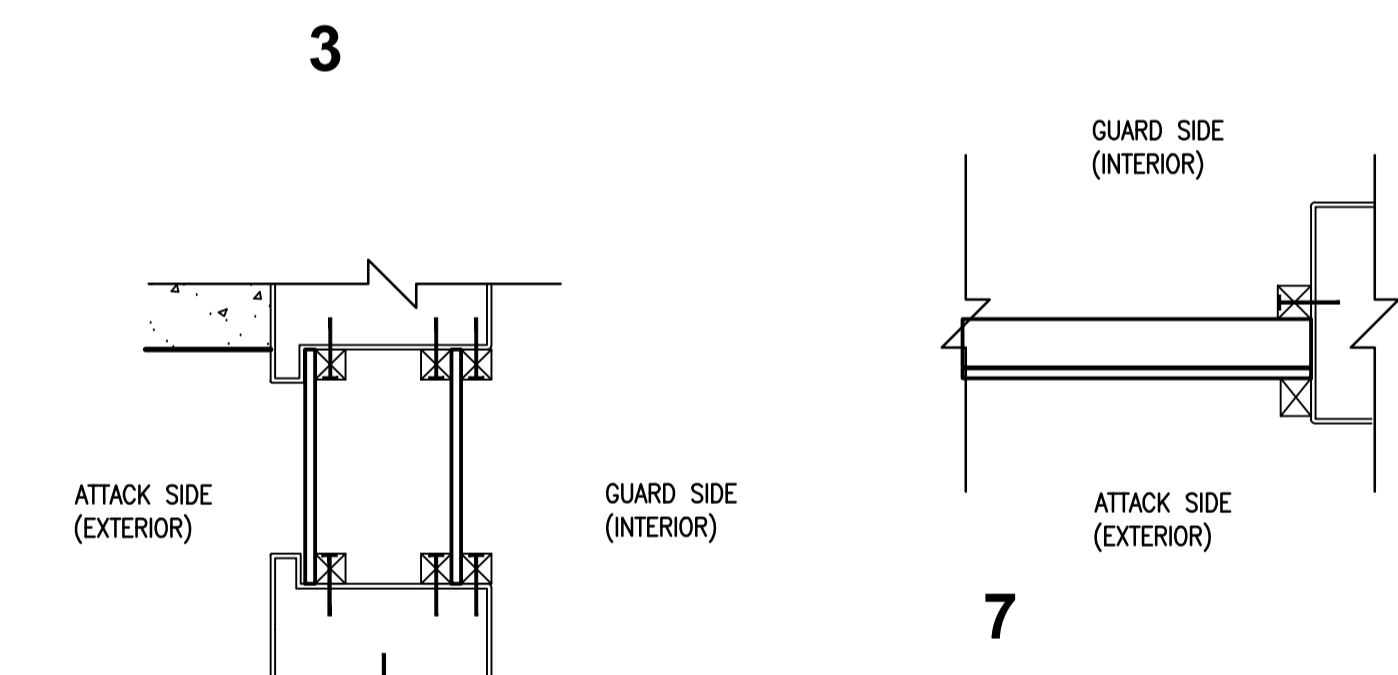
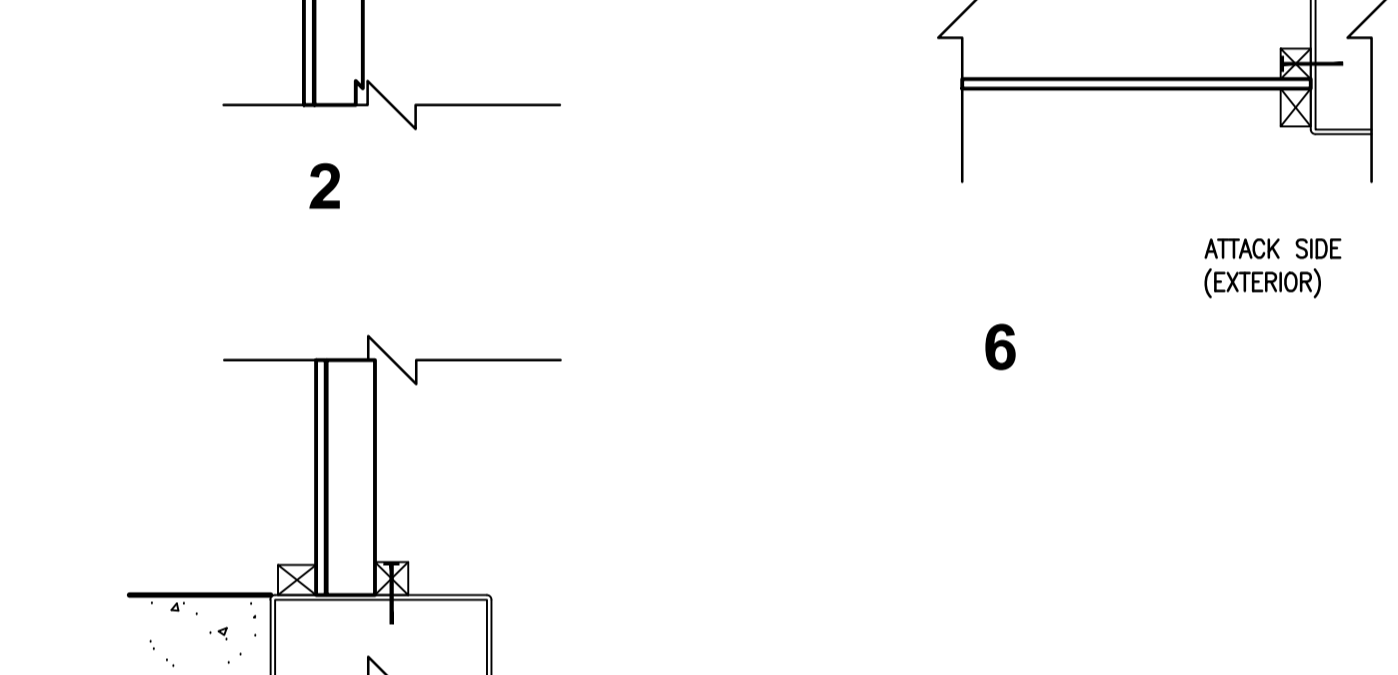
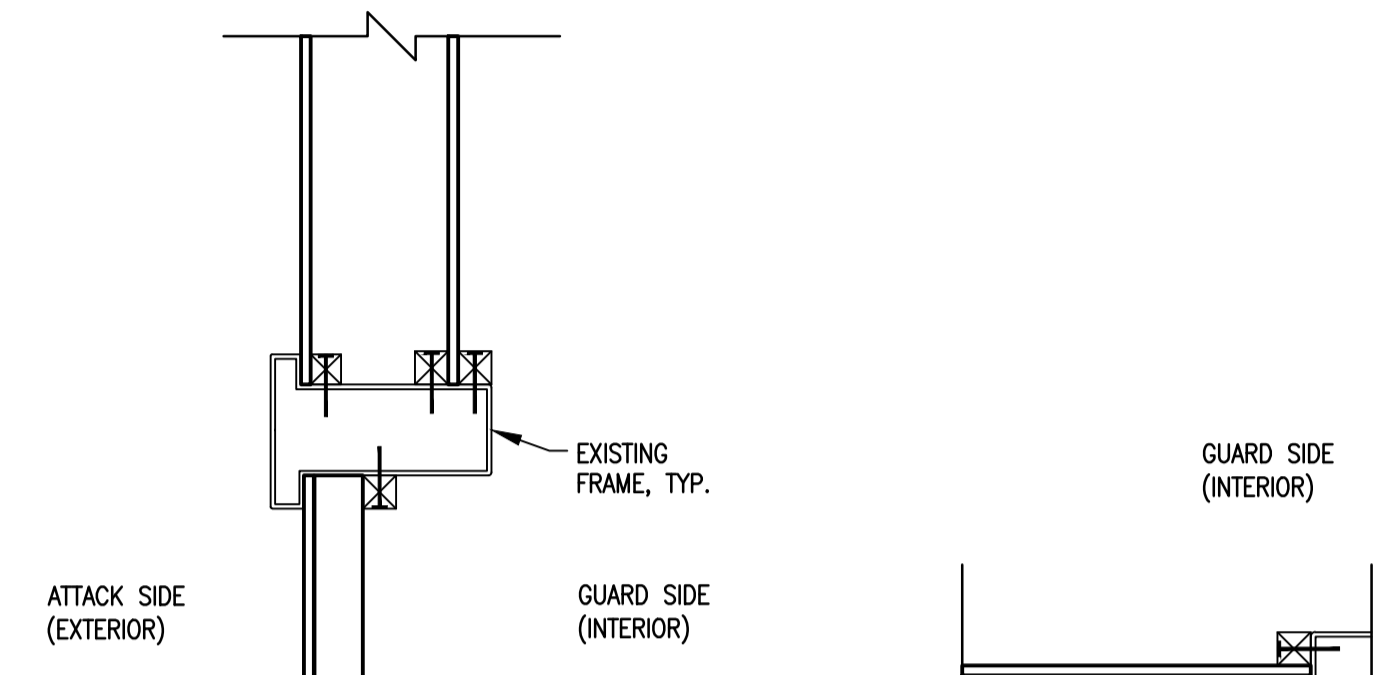
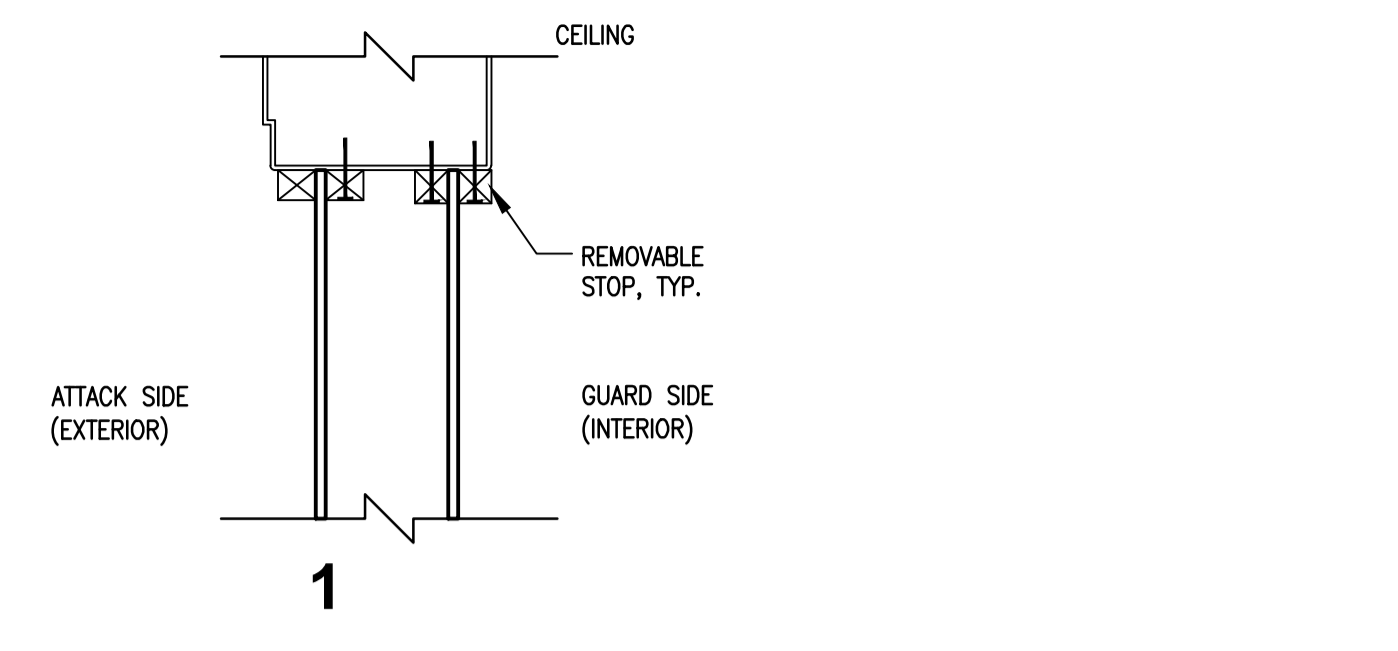


01 KEY PLAN
A06 N.T.S.

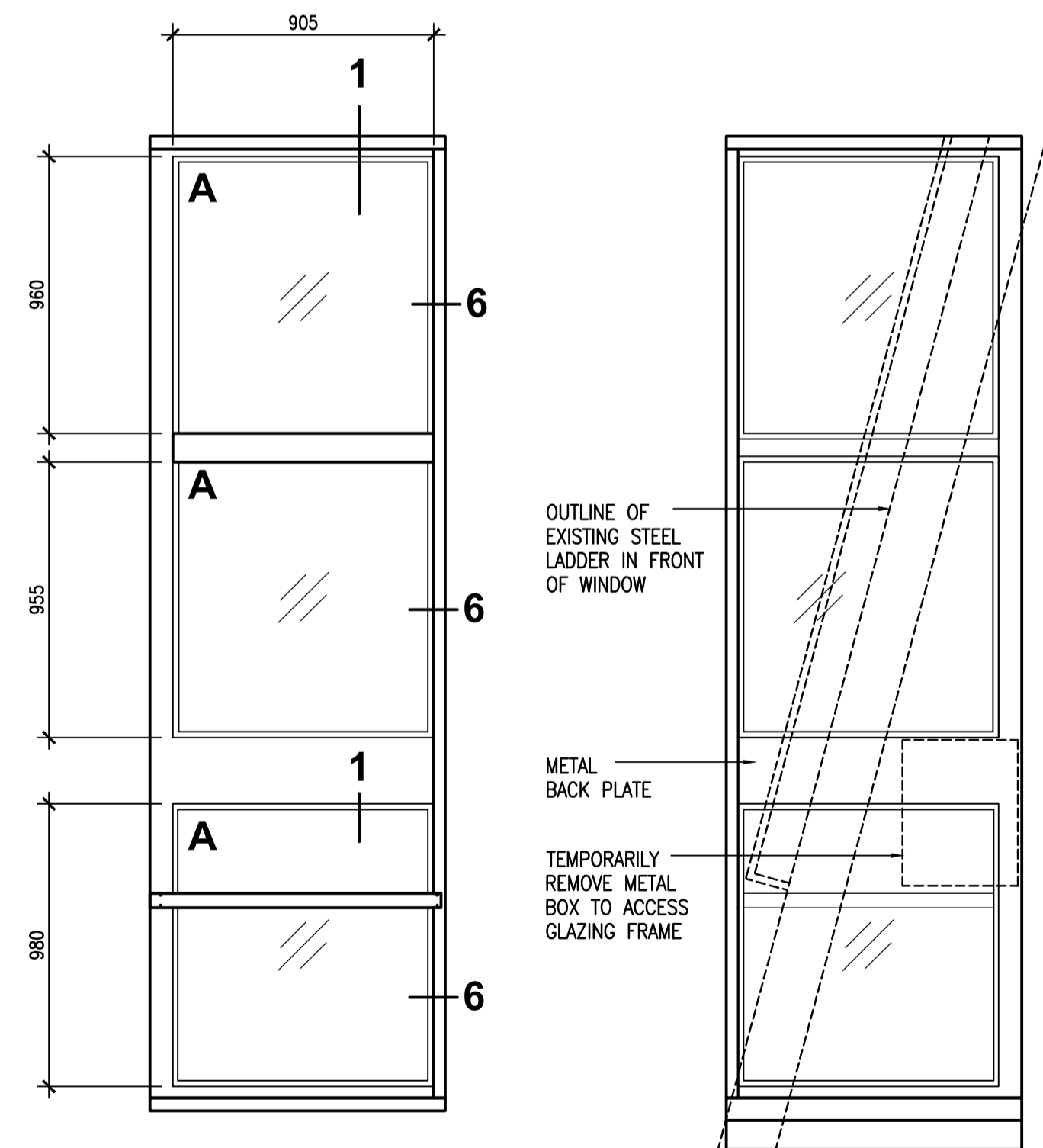


03 ATTACK SIDE
A06 1 : 20

04 GUARD SIDE
A06 1 : 20



07 DETAILS
A06 1 : 5



05 ATTACK SIDE
A06 1 : 20

06 GUARD SIDE
A06 1 : 20

PROJECT CRITERIA

CONTROL POST TYPE: OBSERVATION CONTROL POST
GLAZING: GLAZING SHALL MEET THE EQUIVALENT H.P. WHITE RATING OF LEVEL C BALLISTICS AND LEVEL III FORCED ENTRY OR CLASS / LEVEL HG4 BALLISTICS (TABLE 1) AND CLASS IV FORCED ENTRY (TABLE 2, SEQUENCE 31) IN ASTM F1233-08. 32mm POLYCARBONATE LAMINATED (SP 1250) AS TESTED AND APPROVED BY HP WHITE.

PROJECT SCOPE

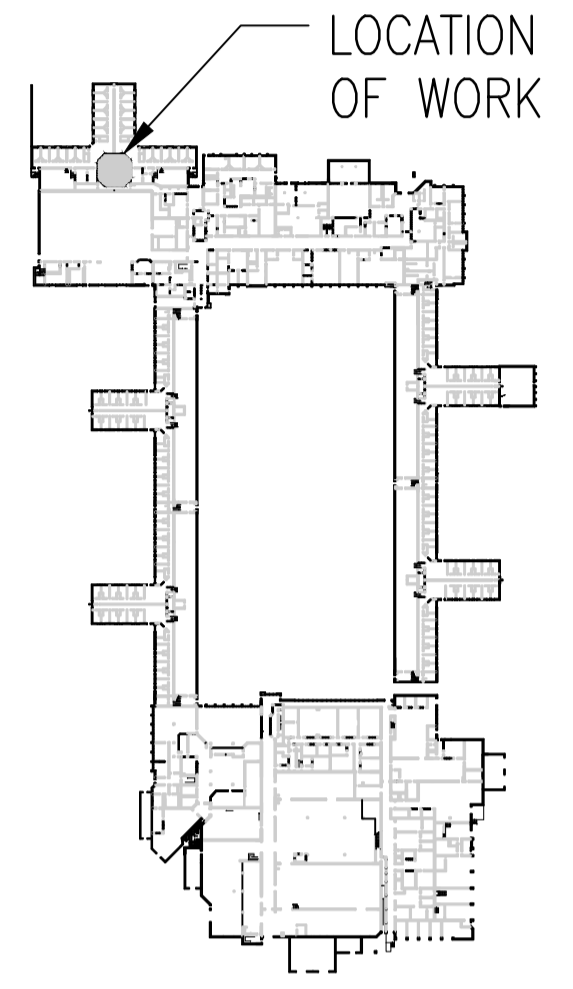
1. PREPARE MOCK-UP FOR REVIEW.
2. REPLACE EXISTING GLAZING WITH NEW AS SCHEDULED.
3. REPLACE EXISTING WINDOW STOPS ON GUARD SIDE WITH NEW AS DETAILED.
4. REUSE EXISTING GUN PORTS, LOCATIONS TO MATCH EXISTING.
5. SUPPLY AND INSTALL NEW FASTENERS FOR GUN PORTS, SIZE AND TYPE TO MATCH EXISTING.
6. REPLACE EXISTING DOOR GLAZING WITH NEW AS SCHEDULED. * IMPORTANT: GLAZING REMOVAL AND INSTALLATION MUST BE COMPLETED SIMULTANEOUSLY FOR EACH PANE.
7. DISCARD EXISTING GLAZING AND GUARD-SIDE STOPS.
8. PAINT NEW WINDOW STOPS WITH RUST-RESISTANT GRAY PRIMER.
9. FINAL PAINT FINISH BY OTHERS.

EXISTING GLAZING SCHEDULE

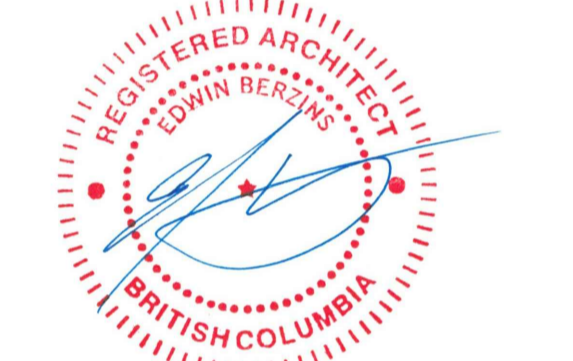
TYPE	PANE	DESCRIPTION
A	DOUBLE PANE	-WIRE REINFORCED GLAZING ON ATTACK SIDE -CLEAR GLAZING ON GUARD SIDE
B	SINGLE PANE	-CLEAR SECURITY GLAZING
C	SINGLE PANE	-CLEAR DOOR GLAZING

CONTRACTOR MAY REMOVE THESE GLAZING AND STOPS FROM THE ATTACK SIDE. CARRY OUT THE REMOVAL PROCESS IN ACCORDANCE WITH SPECIFICATIONS SECTION 01 35 33 HEALTH AND SAFETY REQUIREMENTS AND SECTION 02 81 01 HAZARDOUS MATERIALS USE AND ABATEMENT.

02 PROJECT NOTES
A06 N.T.S.



BUILDING KEY PLAN



Revision/Revision	Description/Description	Date/Date
2	ISSUED FOR TENDER	2016/12/23
1	ISSUED FOR 99% REVIEW	2016/10/06

Client/client
PUBLIC WORKS AND GOVERNMENT SERVICES CANADA
219 - 800 BARRARD STREET
VANCOUVER, BC V6Z 0B9

Project title/Titre du projet
**AGASSIZ, BC V0M 1A0
4732 CEMETERY ROAD
BUILDING J-K, KENT INSTITUTION**
**KENT SEGREGATION CONTROL POST
GLAZING REPLACEMENT**

Consultant Signature Only

Designed by/Concept par
EDWIN BERZINS

Drawn by/Dessiné par
MING HSU

PWGSC Project Manager/Administrateur de Projets TPSGC
JOSKO DUJMOVIC

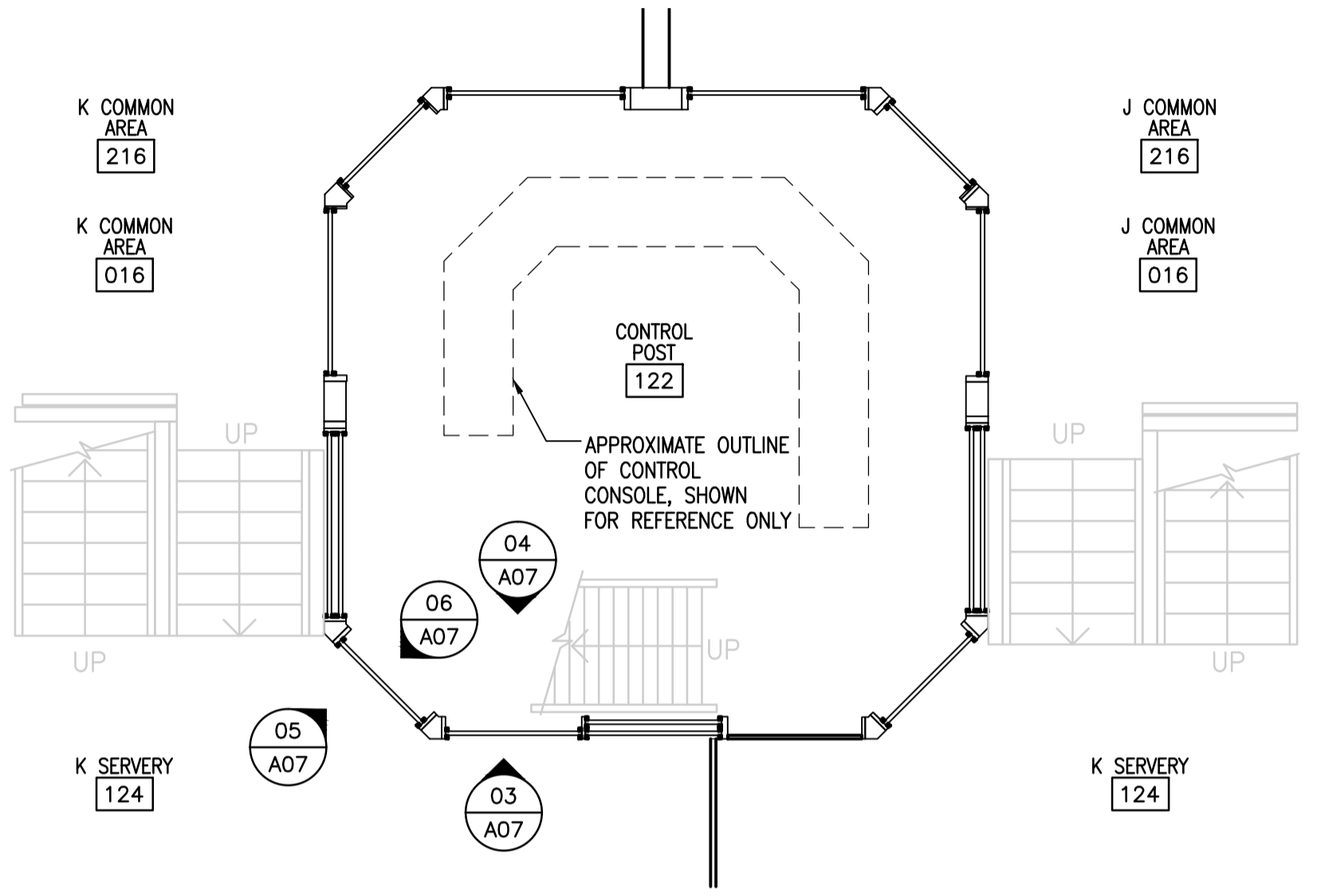
PWGSC, Architectural and Engineering Resources Manager/
Ressources Architectural et de Directeur d'Ingénierie, TPSGC
PREETIPAL PAUL

Client/client
PWGSC

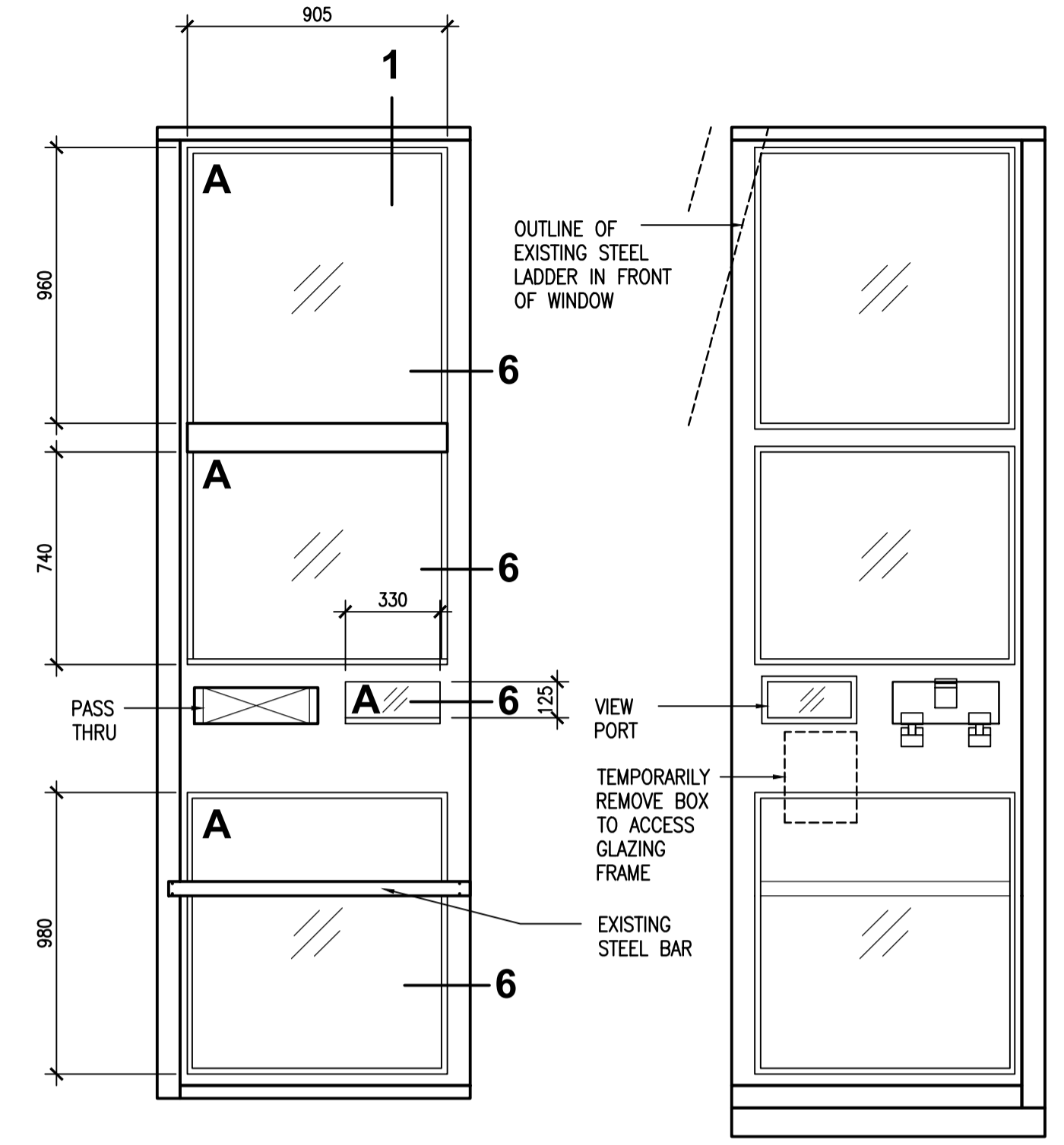
Drawing title/Titre du dessin

**EXISTING PLANS,
ELEVATIONS,
AND DETAILS**

Project No./No. du projet R. 082441.001	Sheet/Feuille A07 OF 18	Revision no./ La Révision no. 2
---	--------------------------------------	--

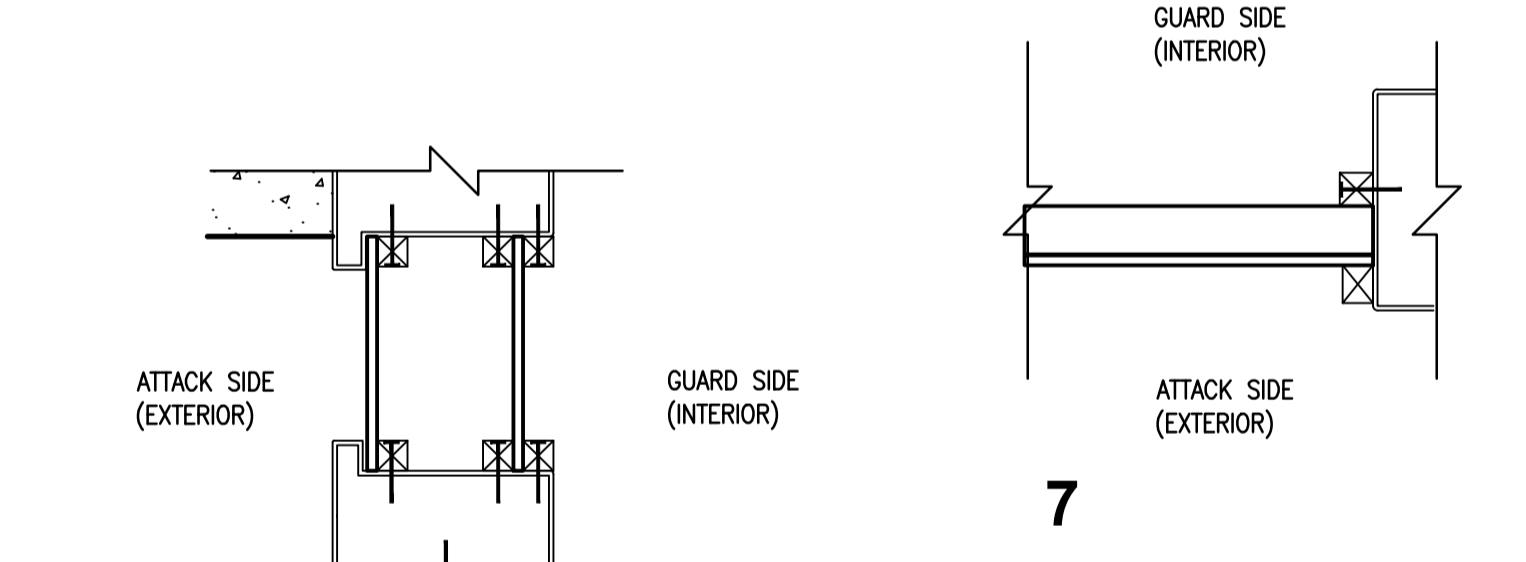
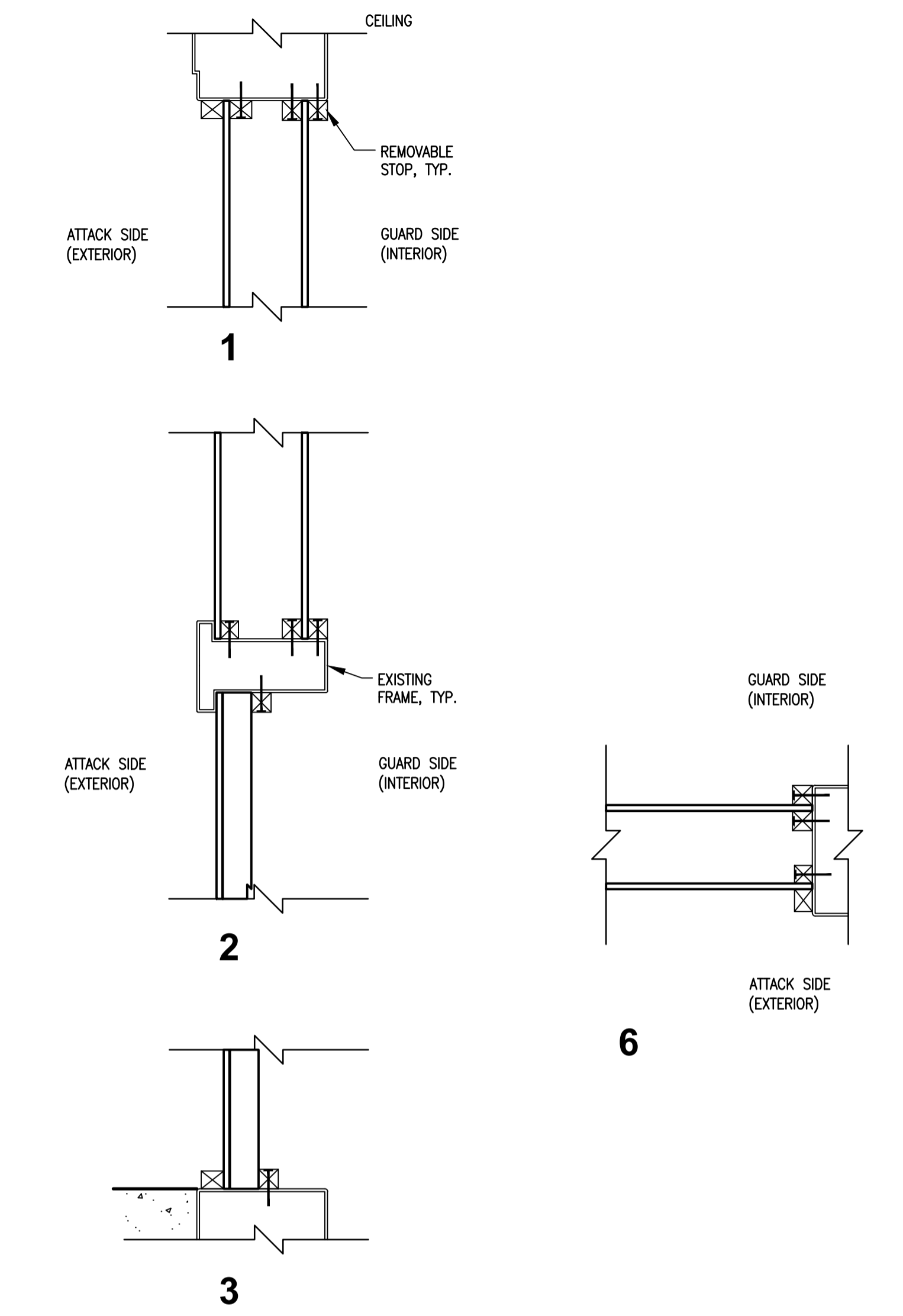


01 KEY PLAN
A07 N.T.S.

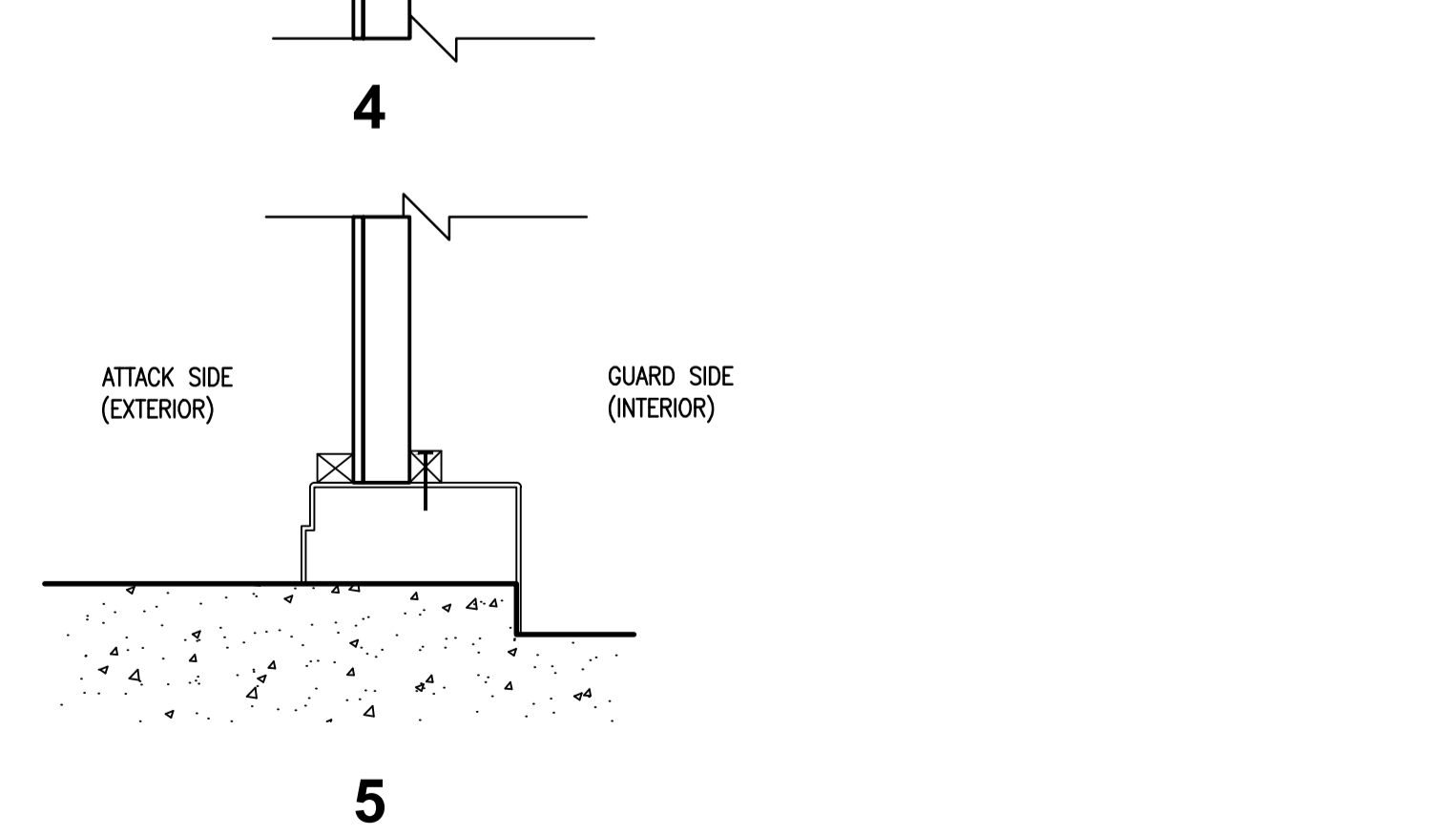


03 ATTACK SIDE
A07 1 : 20

04 GUARD SIDE
A07 1 : 20



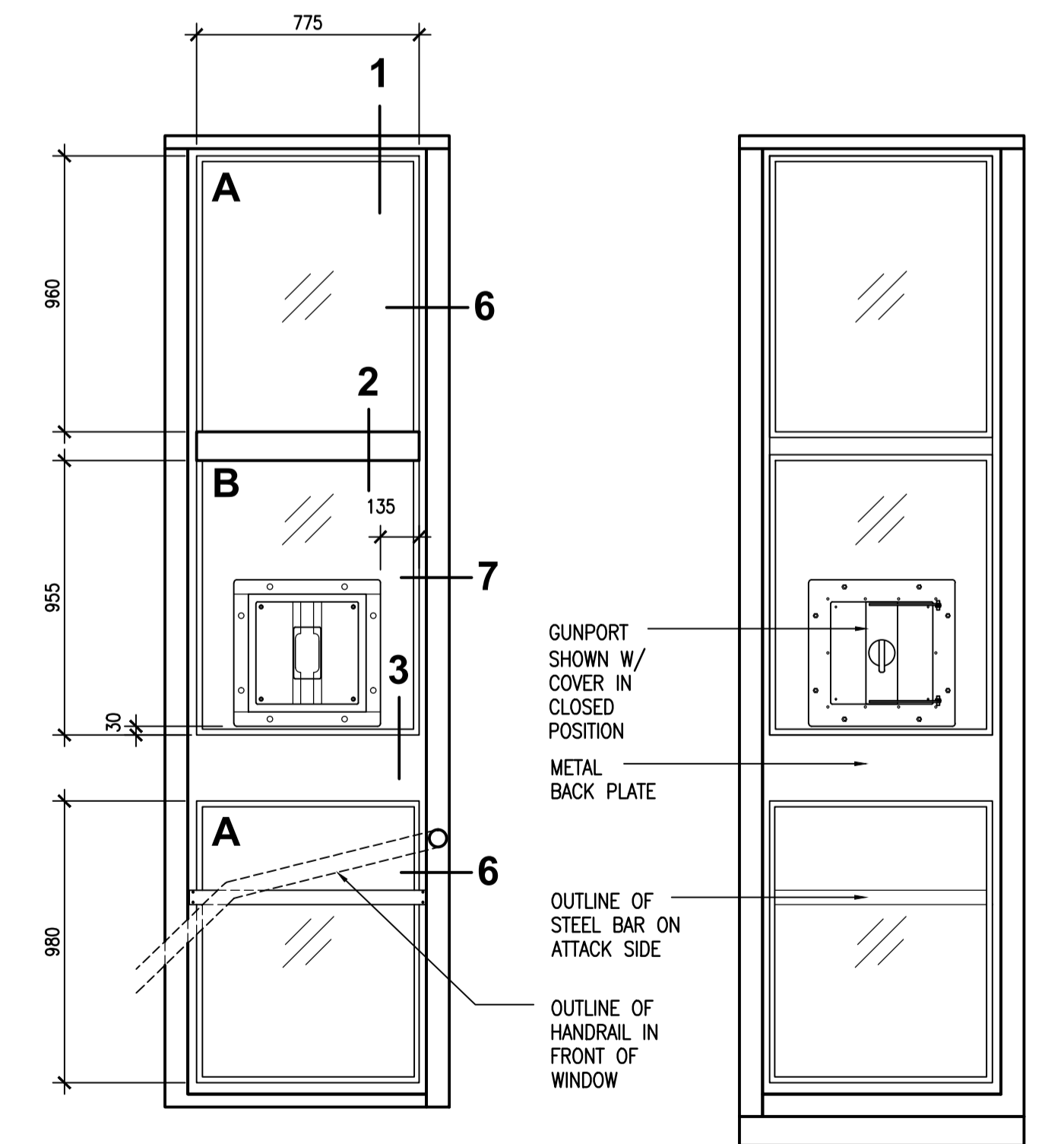
NOTE: PATCH HOLES WITH PICK-PROOF CAULKING AFTER REMOVING EXISTING GLAZING AND FASTENERS



05 ATTACK SIDE
A07 1 : 20

06 GUARD SIDE
A07 1 : 20

07 DETAILS
A07 1 : 5



05 ATTACK SIDE
A07 1 : 20

06 GUARD SIDE
A07 1 : 20

PROJECT CRITERIA

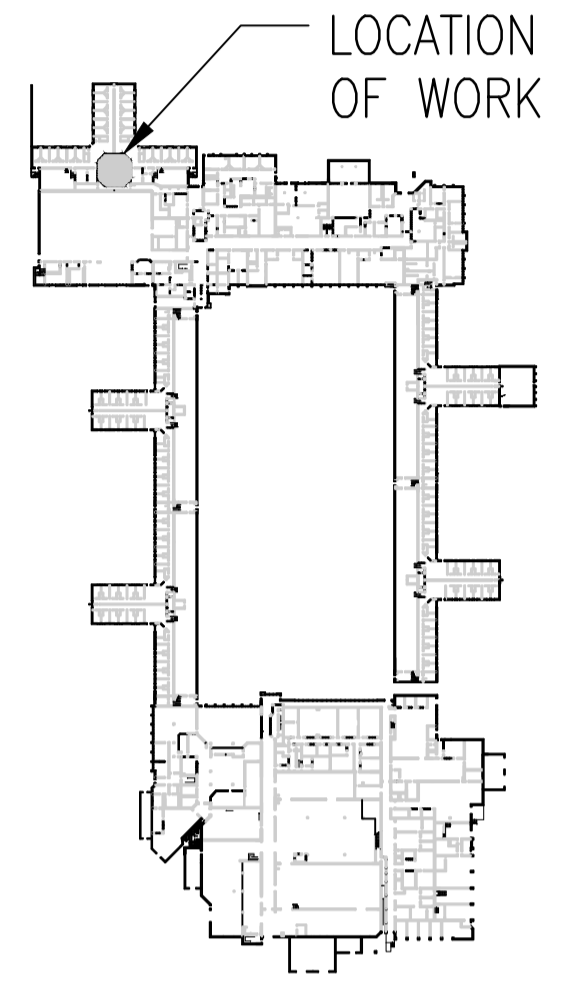
CONTROL POST TYPE: OBSERVATION CONTROL POST
GLAZING: GLAZING SHALL MEET THE EQUIVALENT H.P. WHITE RATING OF LEVEL C BALLISTICS AND LEVEL III FORCED ENTRY OR CLASS / LEVEL HG4 BALLISTICS (TABLE 1) AND CLASS IV FORCED ENTRY (TABLE 2, SEQUENCE 31) IN ASTM F1233-08. 32mm POLYCARBONATE LAMINATED (SP 1250) AS TESTED AND APPROVED BY HP WHITE.

- PROJECT SCOPE**
1. PREPARE MOCK-UP FOR REVIEW.
 2. REPLACE EXISTING GLAZING WITH NEW AS SCHEDULED.
 3. REPLACE EXISTING WINDOW STOPS ON GUARD SIDE WITH NEW AS DETAILED.
 4. REUSE EXISTING GUN PORTS, LOCATIONS TO MATCH EXISTING.
 5. SUPPLY AND INSTALL NEW FASTENERS FOR GUN PORTS, SIZE AND TYPE TO MATCH EXISTING.
 6. REPLACE EXISTING DOOR GLAZING WITH NEW AS SCHEDULED. * IMPORTANT: GLAZING REMOVAL AND INSTALLATION MUST BE COMPLETED SIMULTANEOUSLY FOR EACH PANE.
 7. DISCARD EXISTING GLAZING AND GUARD-SIDE STOPS.
 8. PAINT NEW WINDOW STOPS WITH RUST-RESISTANT GRAY PRIMER.
 9. FINAL PAINT FINISH BY OTHERS.

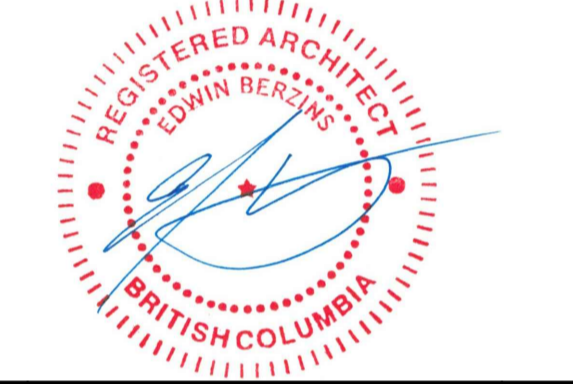
EXISTING GLAZING SCHEDULE

TYPE	PANE	DESCRIPTION
A	DOUBLE PANE	-WIRE REINFORCED GLAZING ON ATTACK SIDE -CLEAR GLAZING ON GUARD SIDE
B	SINGLE PANE	-CLEAR SECURITY GLAZING
C	SINGLE PANE	-CLEAR DOOR GLAZING

02 PROJECT NOTES
A07 N.T.S.



BUILDING KEY PLAN



Revision/Revision	Description/Description	Date/Date
2	ISSUED FOR TENDER	2016/12/29
1	ISSUED FOR 99% REVIEW	2016/10/06

Client/client
PUBLIC WORKS AND GOVERNMENT SERVICES CANADA
219 - 800 BARRARD STREET
VANCOUVER, BC V6Z 0B9

Project title/Titre du projet
**AGASSIZ, BC V0M 1A0
4732 CEMETERY ROAD
BUILDING J-K, KENT INSTITUTION**
**KENT SEGREGATION CONTROL POST
GLAZING REPLACEMENT**

Consultant Signature Only
Designed by/Concept par
EDWIN BERZINS

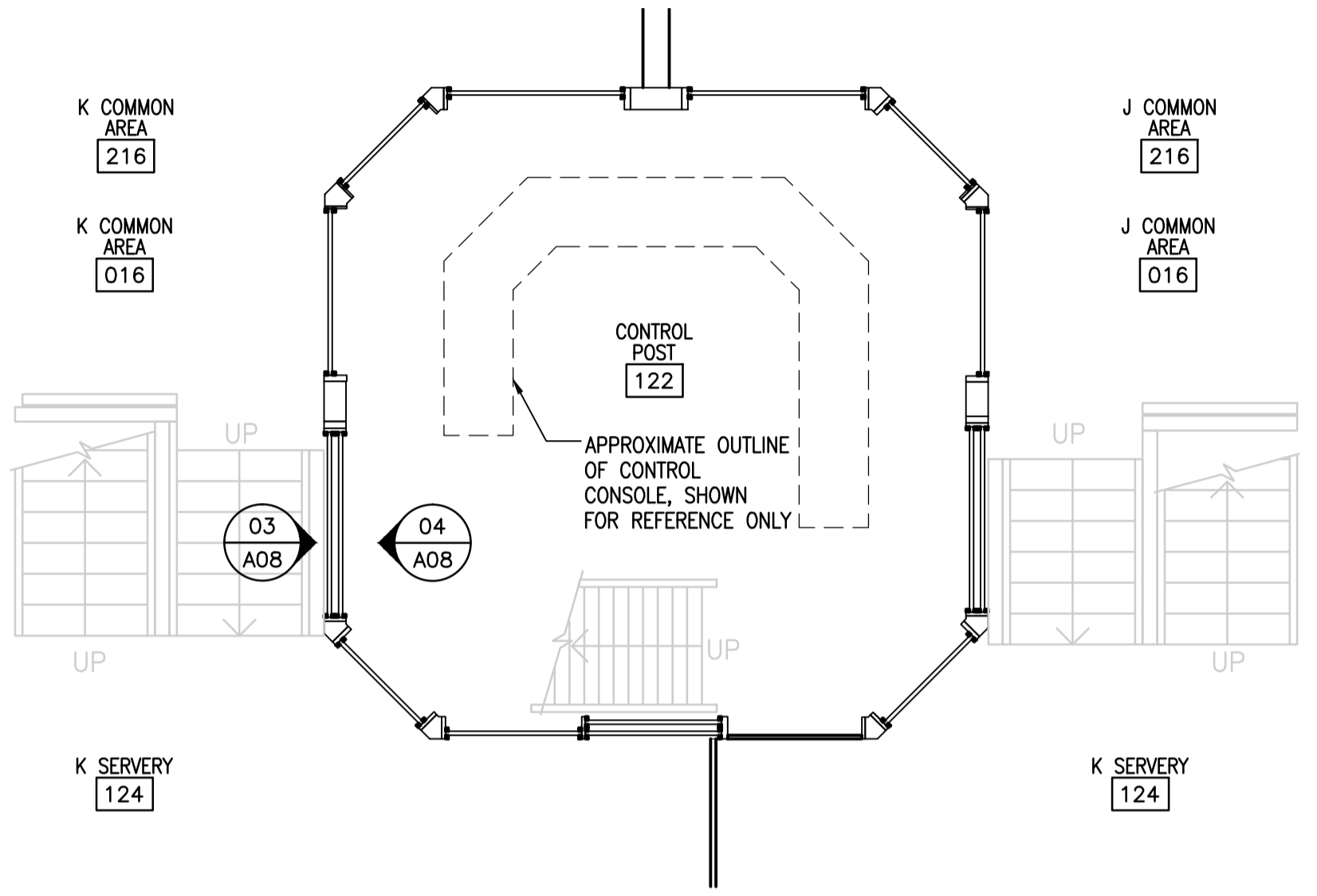
Drawn by/Dessiné par
MING HSU
PWGSC Project Manager/Administrateur de Projets TPSGC
JOSKO DUJMOVIC

PWGSC, Architectural and Engineering Resources Manager/
Ressources Architectural et de Directeur d'Ingénierie, TPSGC
PREETIPAL PAUL

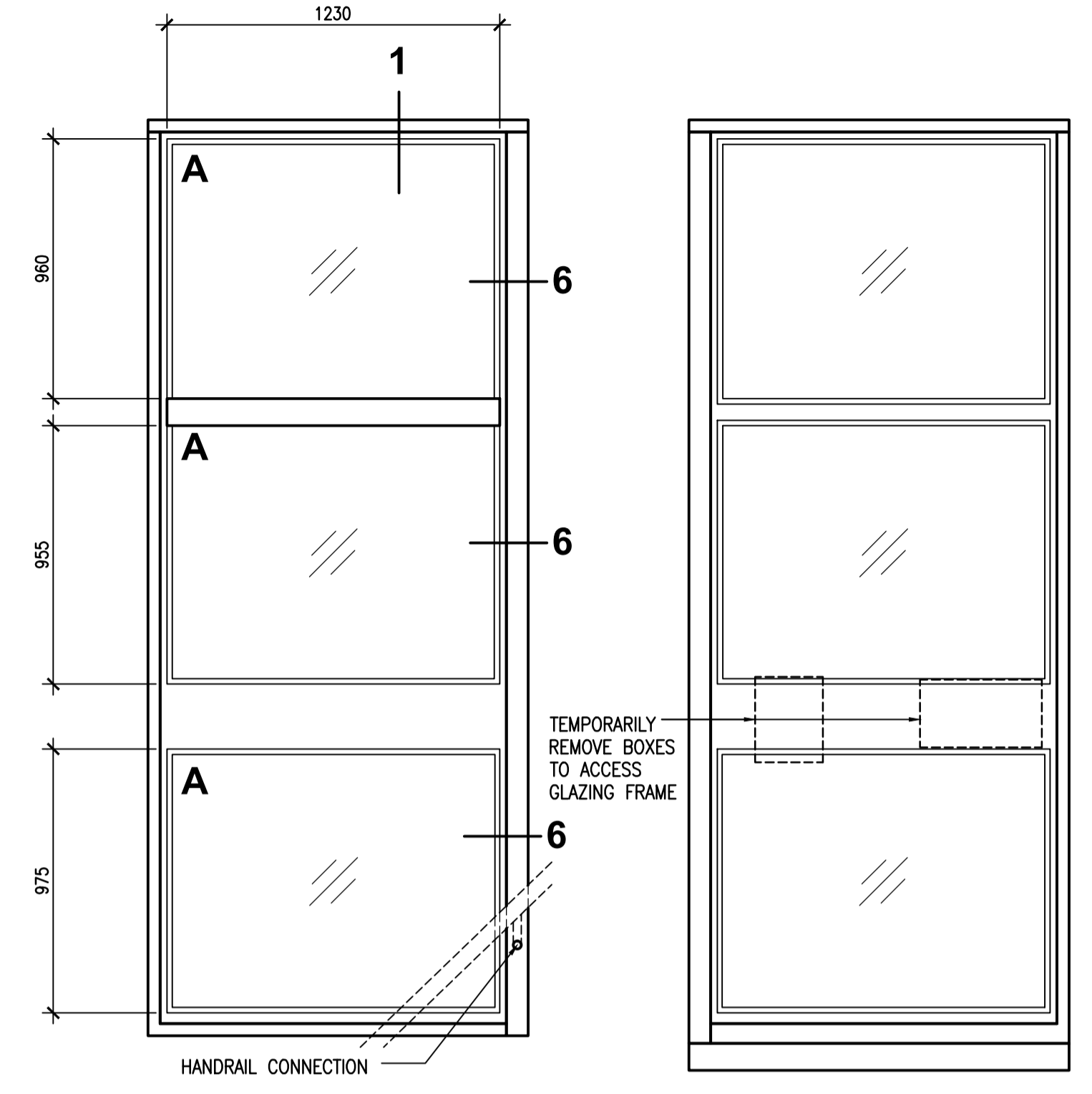
Client/client
Drawing title/Titre du dessin

**EXISTING PLANS,
ELEVATIONS,
AND DETAILS**

Project No./No. du projet R. 082441.001	Sheet/Feuille A08 OF 18	Revision no./ La Révision no. 2
---	--------------------------------------	--

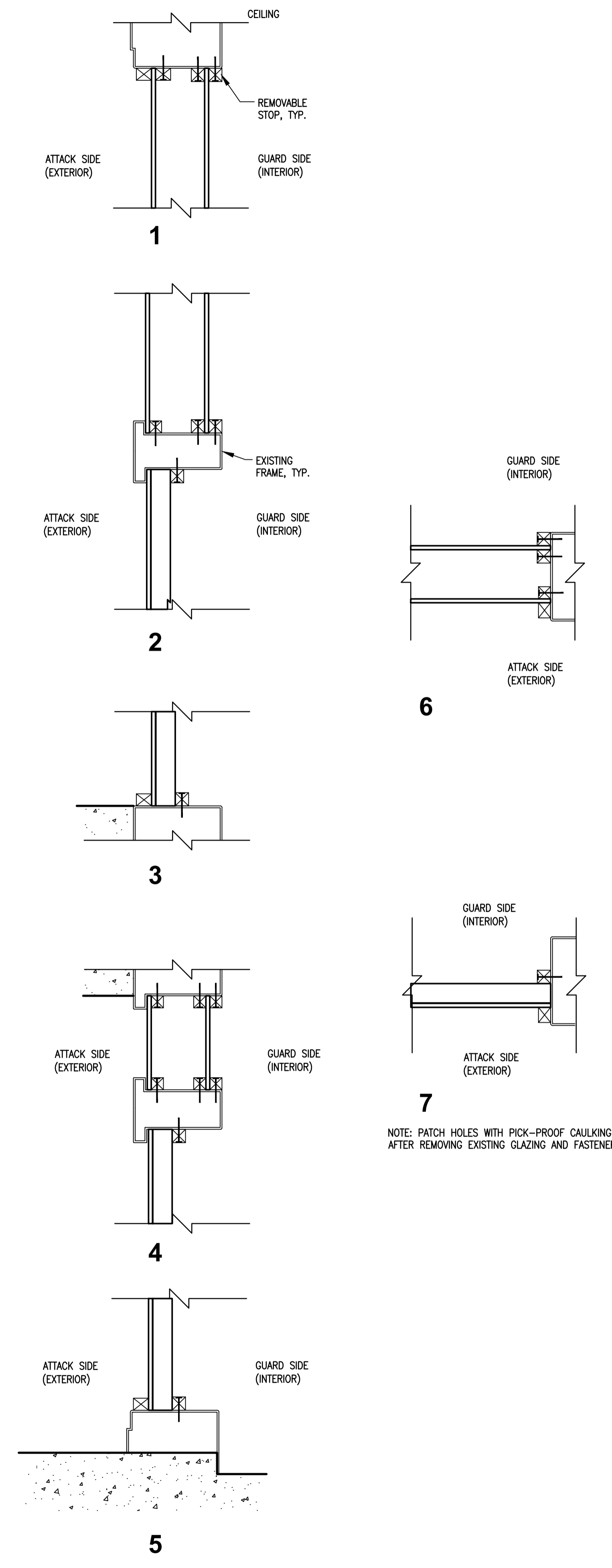


01 KEY PLAN
A08 N.T.S.



03 ATTACK SIDE
A08 1 : 20

04 GUARD SIDE
A08 1 : 20



05 DETAILS
A08 1 : 5

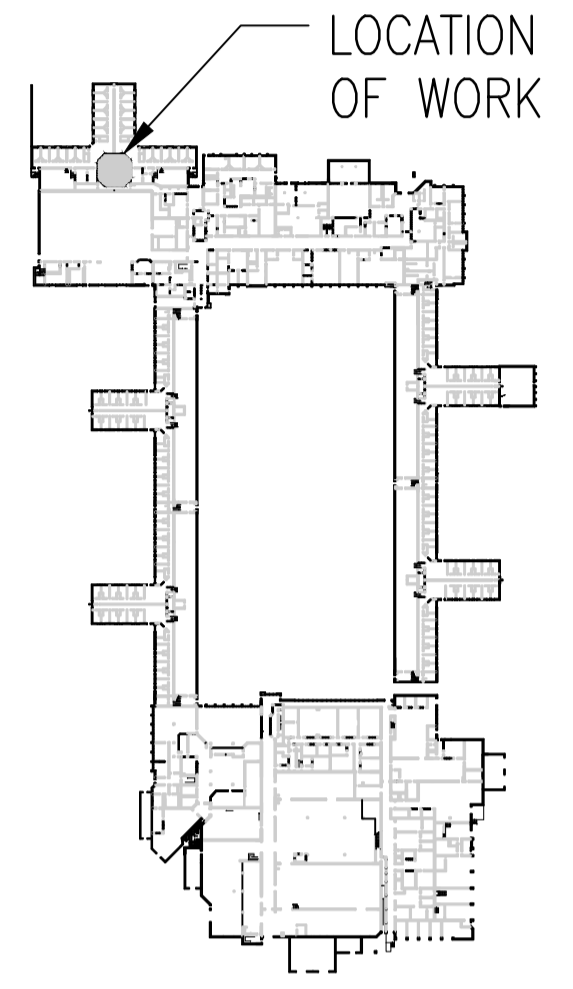
PROJECT CRITERIA
CONTROL POST TYPE: OBSERVATION CONTROL POST
GLAZING: GLAZING SHALL MEET THE EQUIVALENT H.P. WHITE RATING OF LEVEL C BALLISTICS AND LEVEL III FORCED ENTRY OR CLASS / LEVEL HG4 BALLISTICS (TABLE 1) AND CLASS IV FORCED ENTRY (TABLE 2, SEQUENCE 31) IN ASTM F1233-08. 32mm POLYCARBONATE LAMINATED (SP 1250) AS TESTED AND APPROVED BY HP WHITE.

- PROJECT SCOPE
1. PREPARE MOCK-UP FOR REVIEW.
 2. REPLACE EXISTING GLAZING WITH NEW AS SCHEDULED.
 3. REPLACE EXISTING WINDOW STOPS ON GUARD SIDE WITH NEW AS DETAILED.
 4. REUSE EXISTING GUN PORTS, LOCATIONS TO MATCH EXISTING.
 5. SUPPLY AND INSTALL NEW FASTENERS FOR GUN PORTS, SIZE AND TYPE TO MATCH EXISTING.
 6. REPLACE EXISTING DOOR GLAZING WITH NEW AS SCHEDULED. * IMPORTANT: GLAZING REMOVAL AND INSTALLATION MUST BE COMPLETED SIMULTANEOUSLY FOR EACH PANE
 7. DISCARD EXISTING GLAZING AND GUARD-SIDE STOPS.
 8. PAINT NEW WINDOW STOPS WITH RUST-RESISTANT GRAY PRIMER.
 9. FINAL PAINT FINISH BY OTHERS.

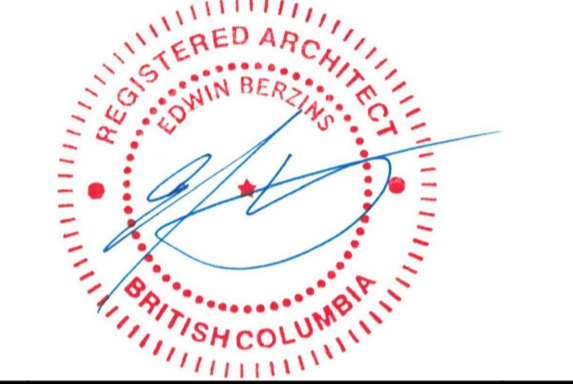
EXISTING GLAZING SCHEDULE

TYPE	PANE	DESCRIPTION
A	DOUBLE PANE	-WIRE REINFORCED GLAZING ON ATTACK SIDE -CLEAR GLAZING ON GUARD SIDE
B	SINGLE PANE	-CLEAR SECURITY GLAZING
C	SINGLE PANE	-CLEAR DOOR GLAZING

02 PROJECT NOTES
A08 N.T.S.



BUILDING KEY PLAN



2	ISSUED FOR TENDER	2016/12/29
1	ISSUED FOR 99% REVIEW	2016/10/06

Client/client

PUBLIC WORKS AND GOVERNMENT SERVICES CANADA
219 - 800 BARRARD STREET
VANCOUVER, BC V6Z 0B9

Project title/Titre du projet
**AGASSIZ, BC V0M 1A0
4732 CEMETERY ROAD
BUILDING J-K, KENT INSTITUTION
KENT SEGREGATION CONTROL POST
GLAZING REPLACEMENT**

Consultant Signature Only

Designed by/Concept par
EDWIN BERZINS

Drawn by/Dessiné par
MING HSU

PWGC Project Manager/Administrateur de Projets TPSC
JOSKO DUJMOVIC

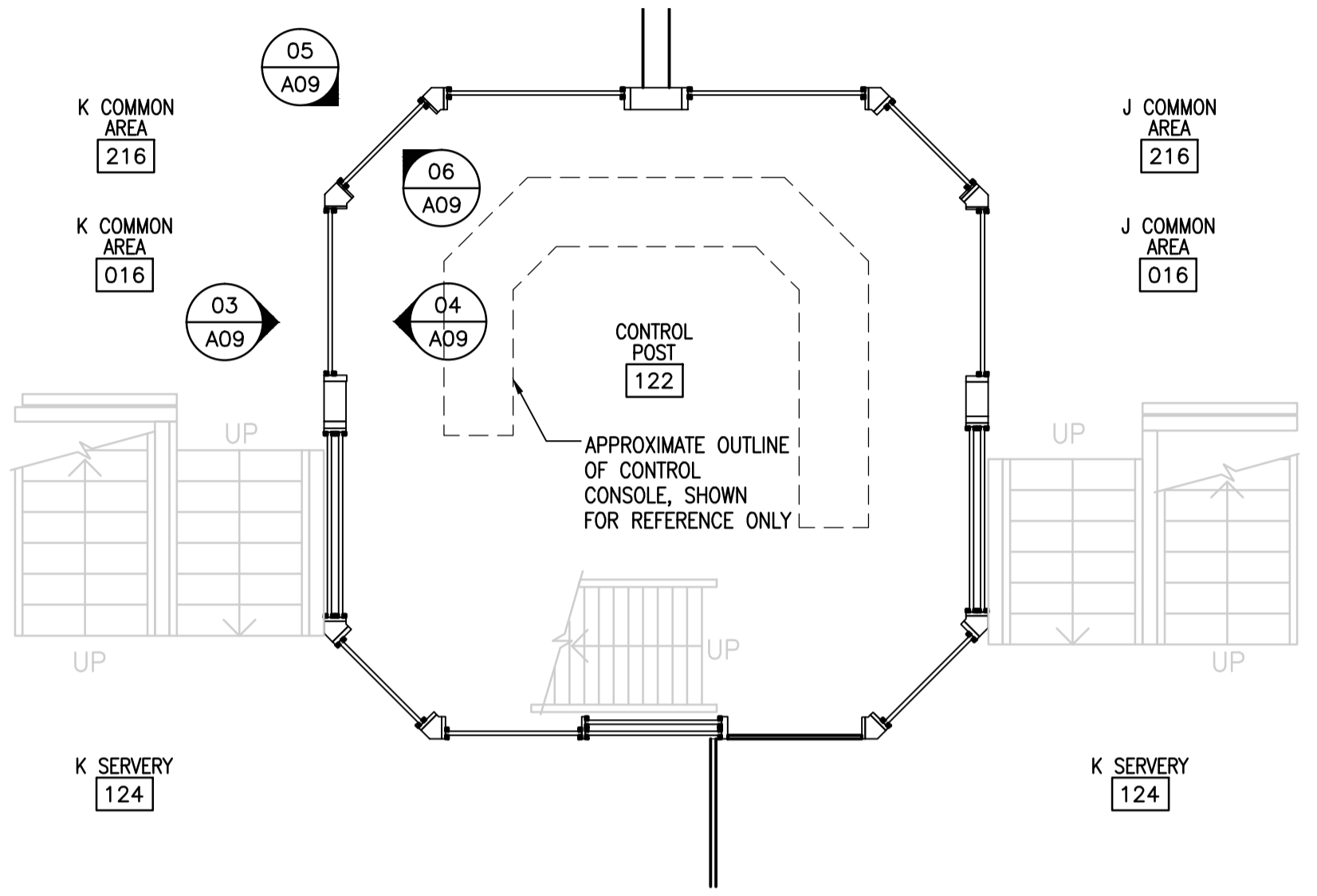
PWGC, Architectural and Engineering Resources Manager/
Ressources Architectural et de Directeur d'Ingénierie, TPSC
PREETIPAL PAUL

Client/client
PWGC

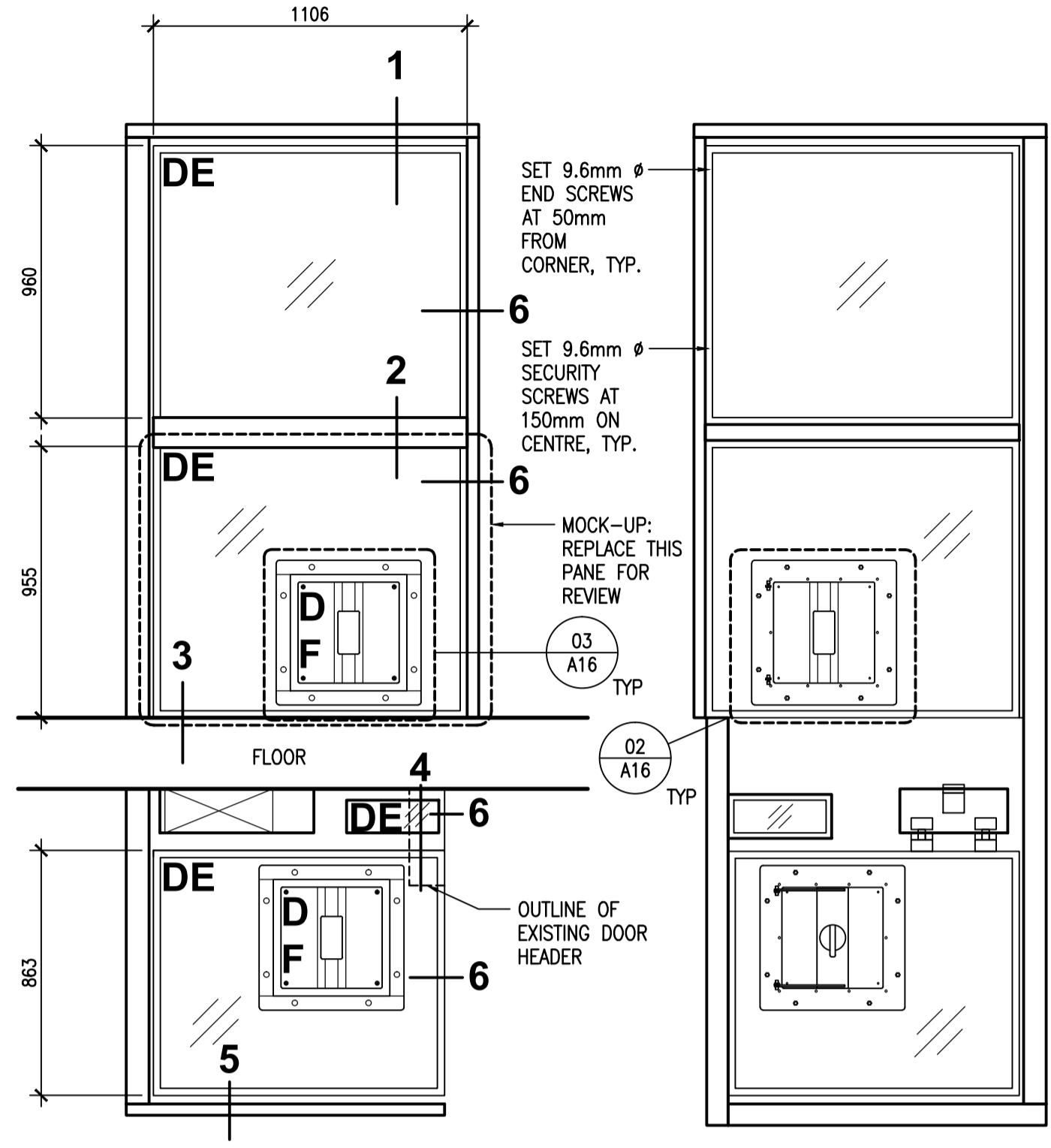
Drawing title/Titre du dessin

NEW PLANS, ELEVATIONS, AND DETAILS

Project No./No. du projet R. 082441.001	Sheet/Feuille A09 OF 18	Revision no./ La Révision no. 2
---	--------------------------------------	--

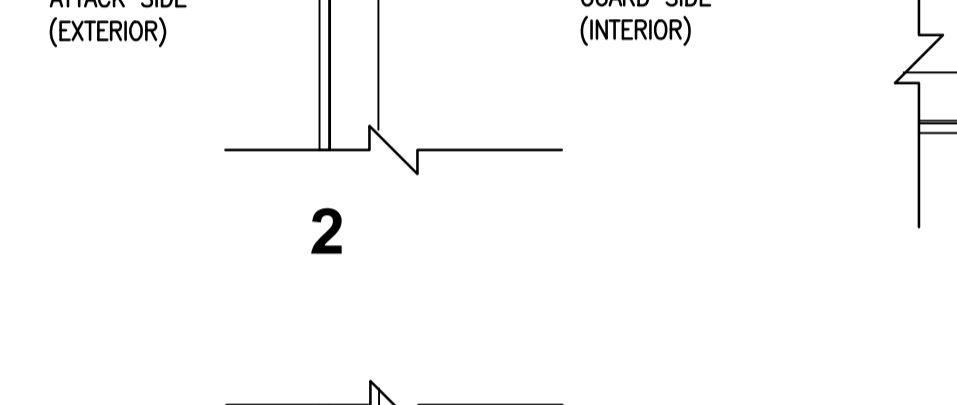
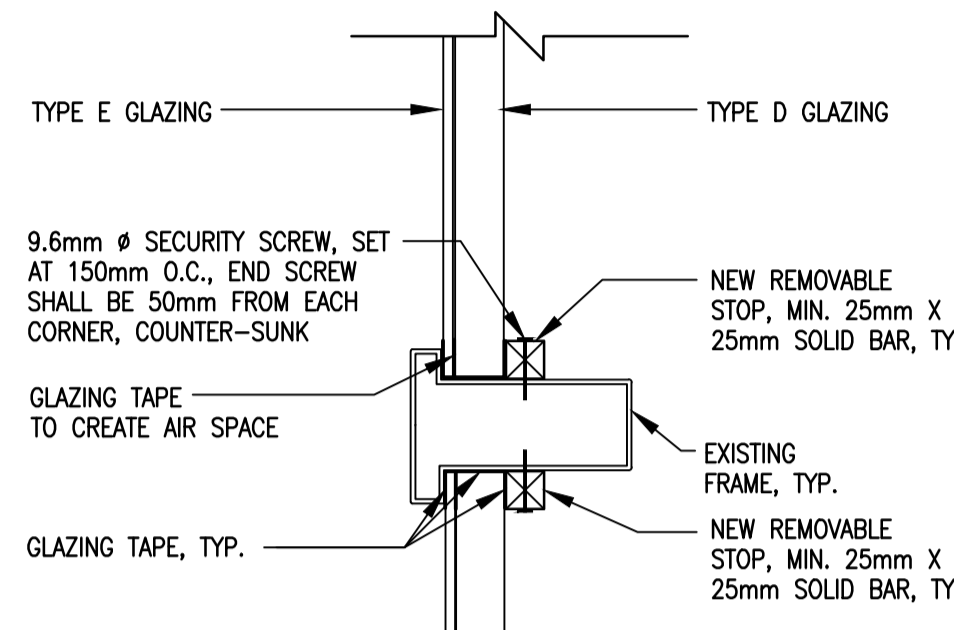
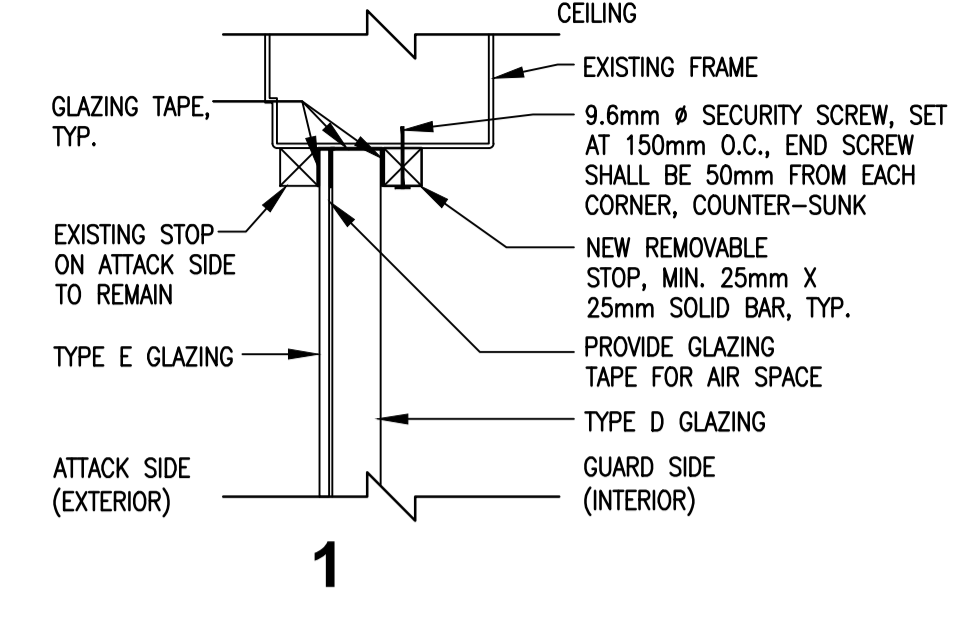


01 KEY PLAN
A09 N.T.S.

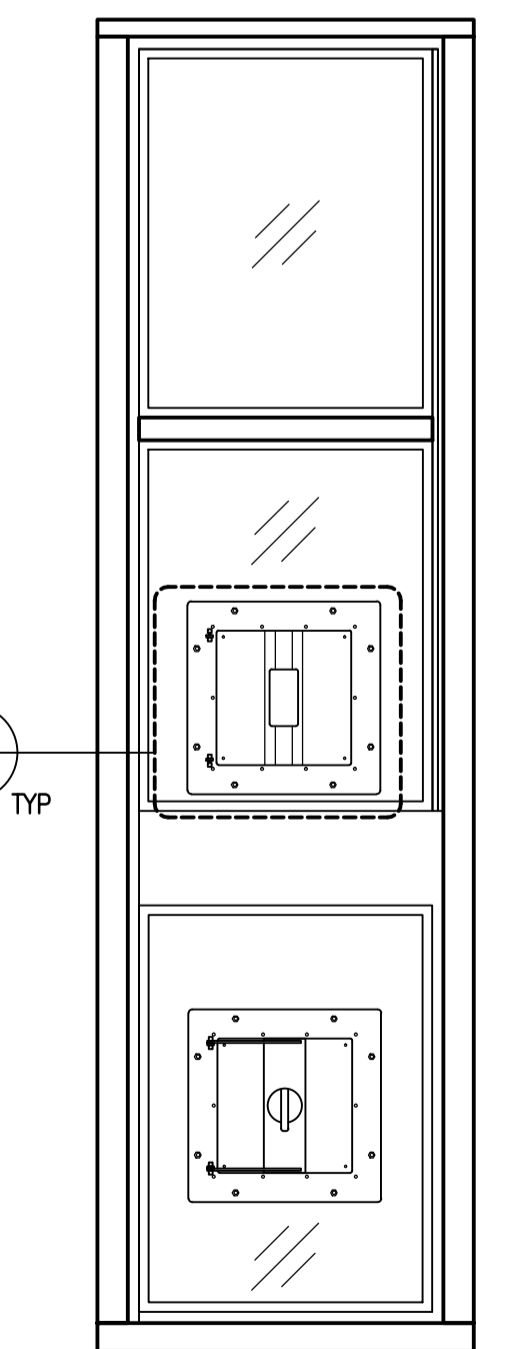


03 ATTACK SIDE
A09 1 : 20

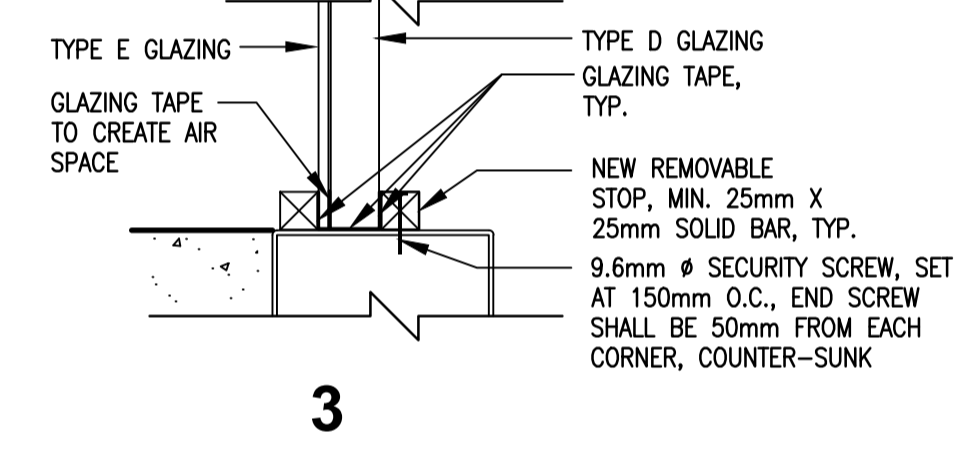
04 GUARD SIDE
A09 1 : 20



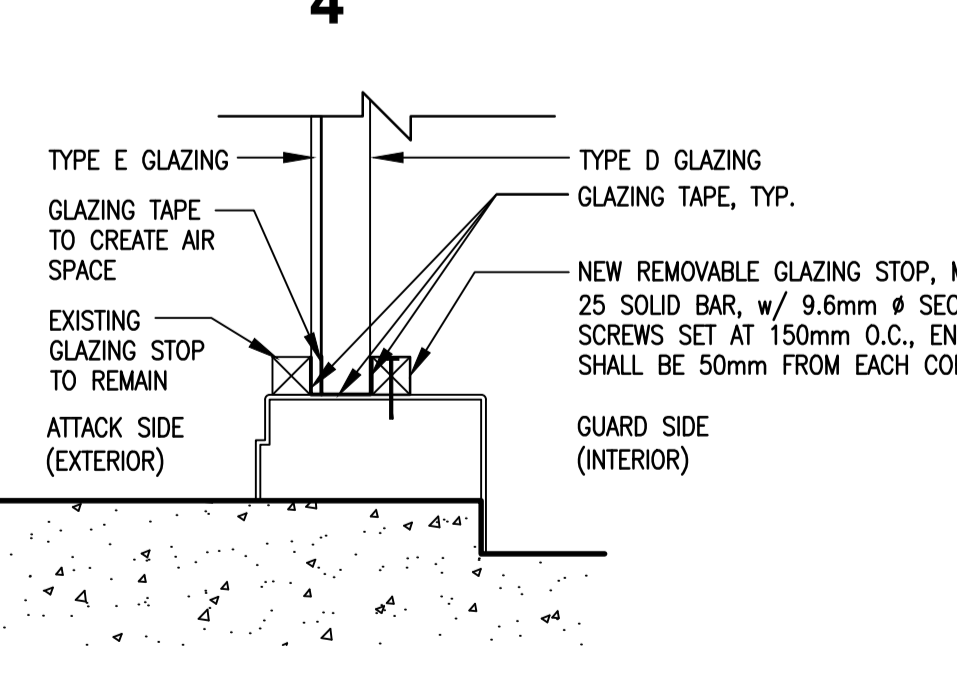
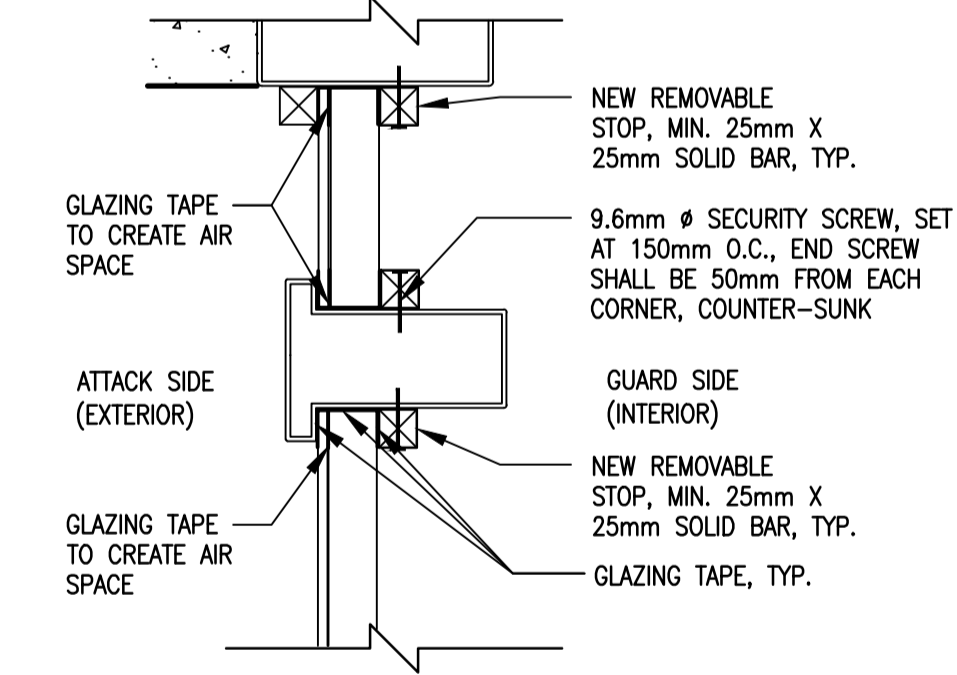
05 ATTACK SIDE
A09 1 : 20



06 GUARD SIDE
A09 1 : 20



07 DETAILS
A09 1 : 5



02 PROJECT NOTES
A09 N.T.S.

PROJECT CRITERIA

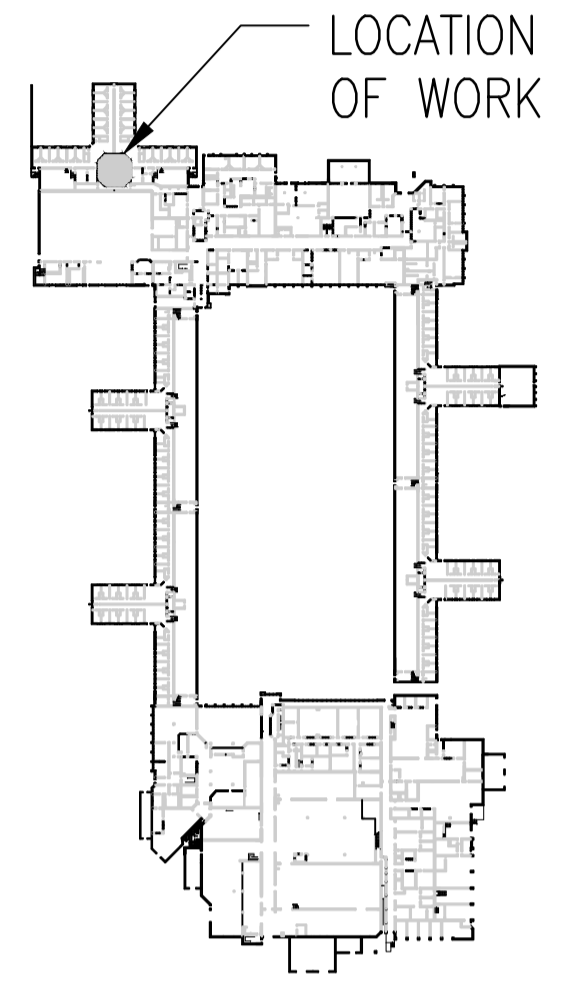
CONTROL POST TYPE: OBSERVATION CONTROL POST
GLAZING: GLAZING SHALL MEET THE EQUIVALENT H.P. WHITE RATING OF LEVEL C BALLISTICS AND LEVEL III FORCED ENTRY OR CLASS / LEVEL HG4 BALLISTICS (TABLE 1) AND CLASS IV FORCED ENTRY (TABLE 2, SEQUENCE 31) IN ASTM F1233-08. 32mm POLYCARBONATE LAMINATED (SP 1250) AS TESTED AND APPROVED BY HP WHITE.

PROJECT SCOPE

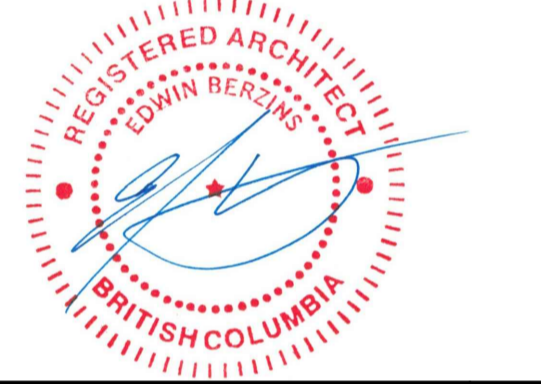
1. PREPARE MOCK-UP FOR REVIEW.
2. REPLACE EXISTING GLAZING WITH NEW AS SCHEDULED.
3. REPLACE EXISTING WINDOW STOPS ON GUARD SIDE WITH NEW AS DETAILED.
4. REUSE EXISTING GUN PORTS, LOCATIONS TO MATCH EXISTING.
5. SUPPLY AND INSTALL NEW FASTENERS FOR GUN PORTS, SIZE AND TYPE TO MATCH EXISTING.
6. REPLACE EXISTING DOOR GLAZING WITH NEW AS SCHEDULED. * IMPORTANT: GLAZING REMOVAL AND INSTALLATION MUST BE COMPLETED SIMULTANEOUSLY FOR EACH PANE
7. DISCARD EXISTING GLAZING AND GUARD-SIDE STOPS.
8. PAINT NEW WINDOW STOPS WITH RUST-RESISTANT GRAY PRIMER.
9. FINAL PAINT FINISH BY OTHERS.

NEW GLAZING SCHEDULE

TYPE	PANE	DESCRIPTION
D	SINGLE PANE	32mm POLYCARBONATE LAMINATED GLAZING, WITH ABRASION RESISTANCE TREATMENT ON BOTH SIDES
E	SINGLE PANE	6mm TEMPERED GLASS (SACRIFICIAL LAYER)
F	SINGLE PANE	6mm POLYCARBONATE (GUN PORT REDUCER PANEL), WITH ABRASION RESISTANCE TREATMENT ON BOTH SIDES



BUILDING KEY PLAN



2	ISSUED FOR TENDER	2016/12/29
1	ISSUED FOR 99% REVIEW	2016/10/06

Revision/Description/Date/Date

Client/client
PUBLIC WORKS AND GOVERNMENT SERVICES CANADA
219 - 800 BARRARD STREET VANCOUVER, BC V6Z 0B9

Project title/Titre du projet
**AGASSIZ, BC V0M 1A0
4732 CEMETERY ROAD
BUILDING J-K, KENT INSTITUTION
KENT SEGREGATION CONTROL POST
GLAZING REPLACEMENT**

Consultant Signature Only

Designed by/Concept par
EDWIN BERZINS

Drawn by/Dessiné par
MING HSU

PWGC Project Manager/Administrateur de Projets TPSGC
JOSKO DUJMOVIC

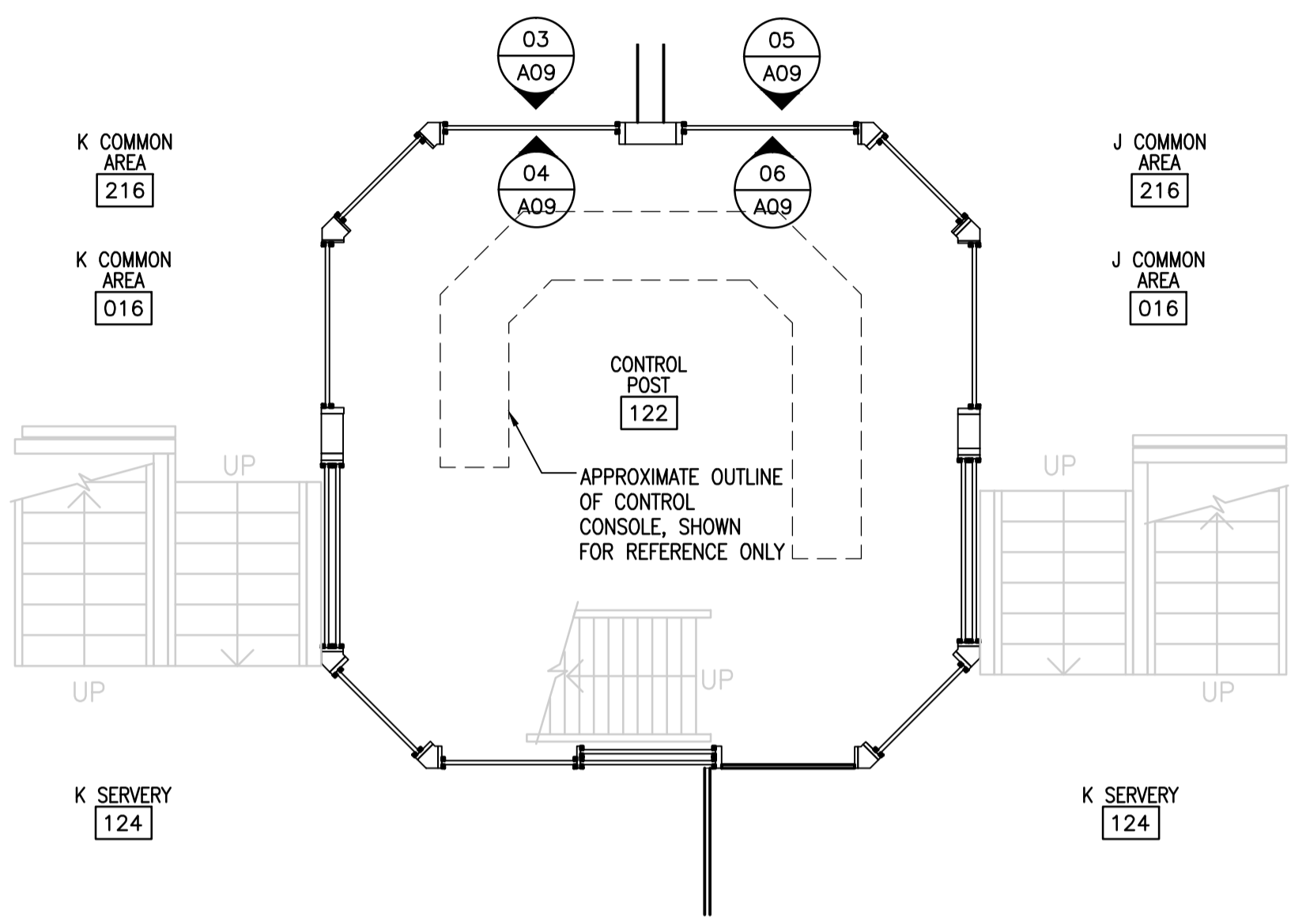
PWGC, Architectural and Engineering Resources Manager/ Ressources Architectural et de Directeur d'Ingénierie, TPSGC
PREETIPAL PAUL

Client/client
PWGC

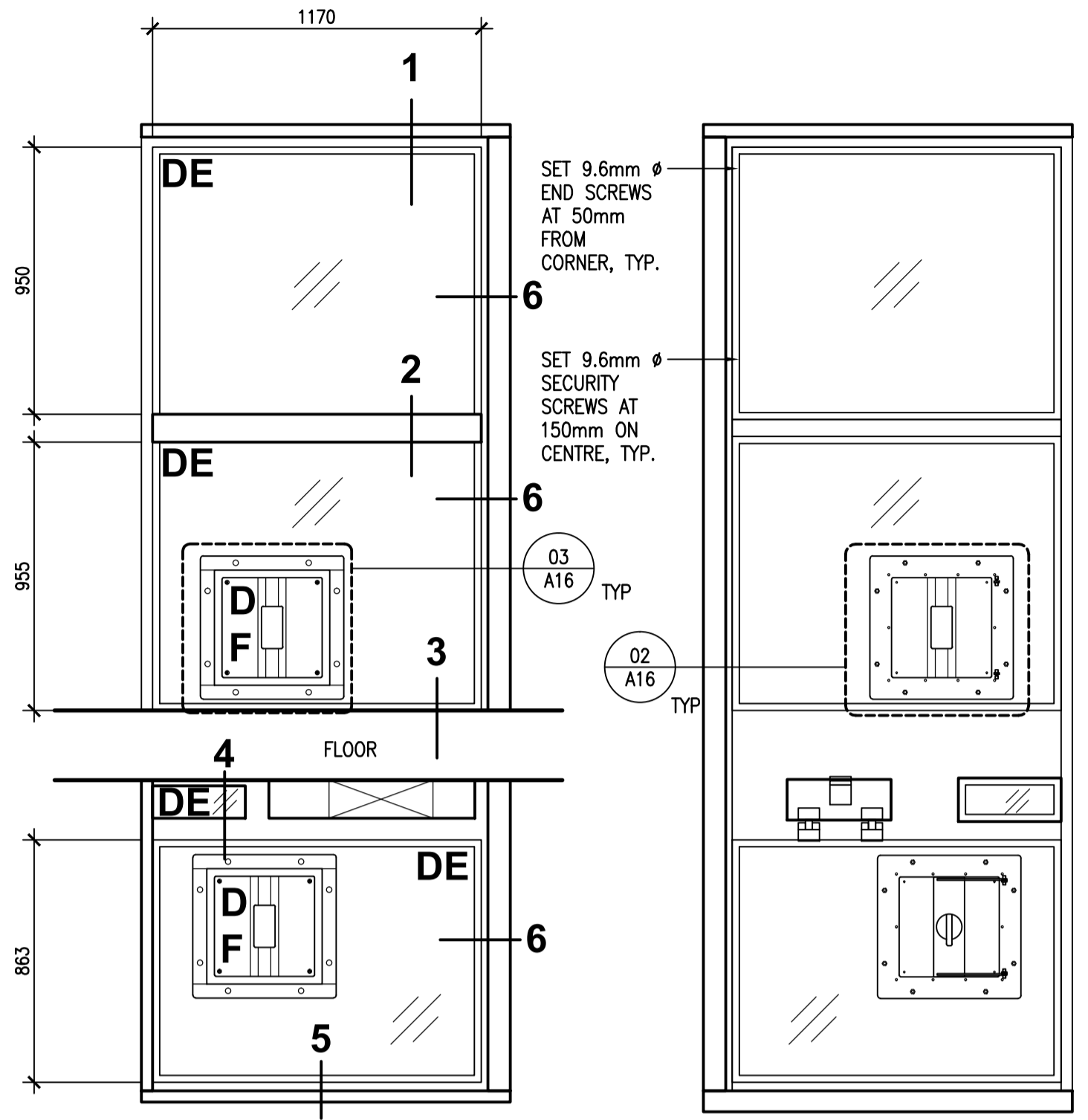
Drawing title/Titre du dessin

NEW PLANS, ELEVATIONS, AND DETAILS

Project No./No. du projet R. 082441.001	Sheet/Feuille A10 OF 18	Revision no./La Révision no. 2
---	--------------------------------------	--

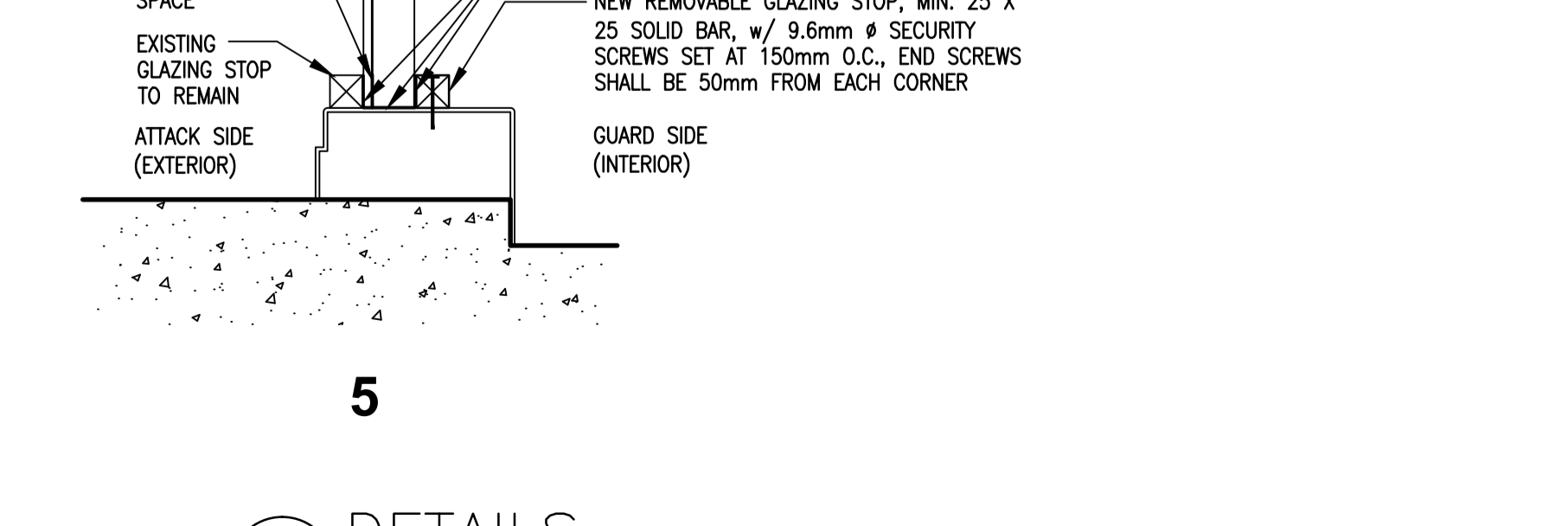
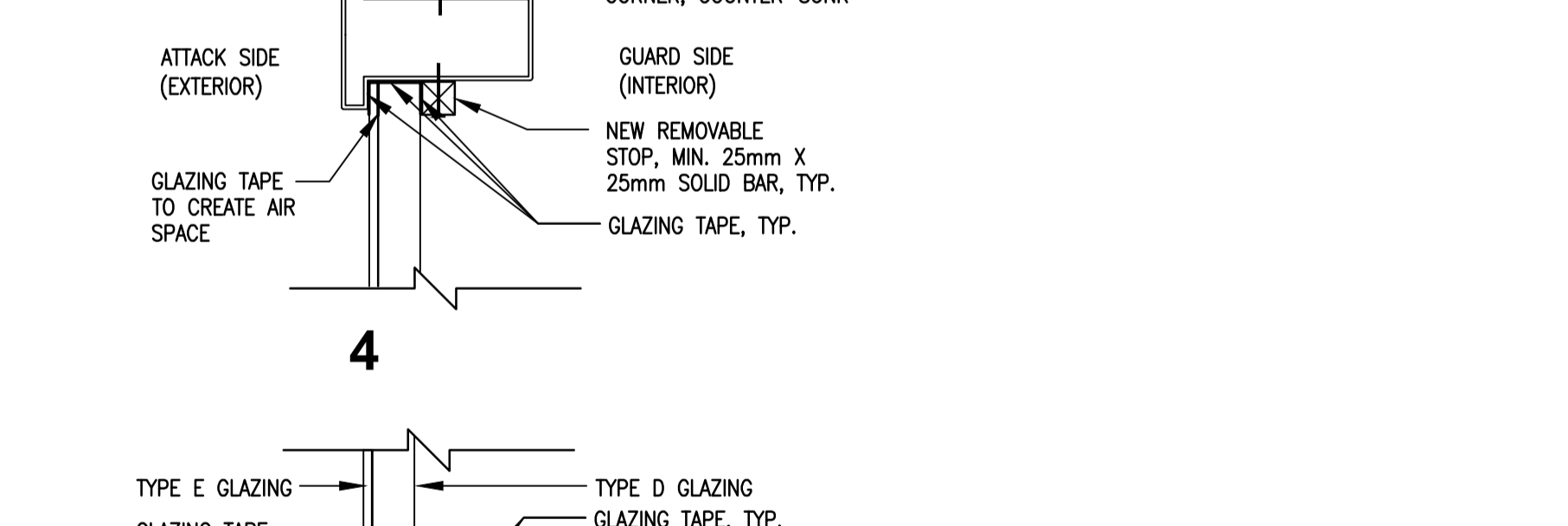
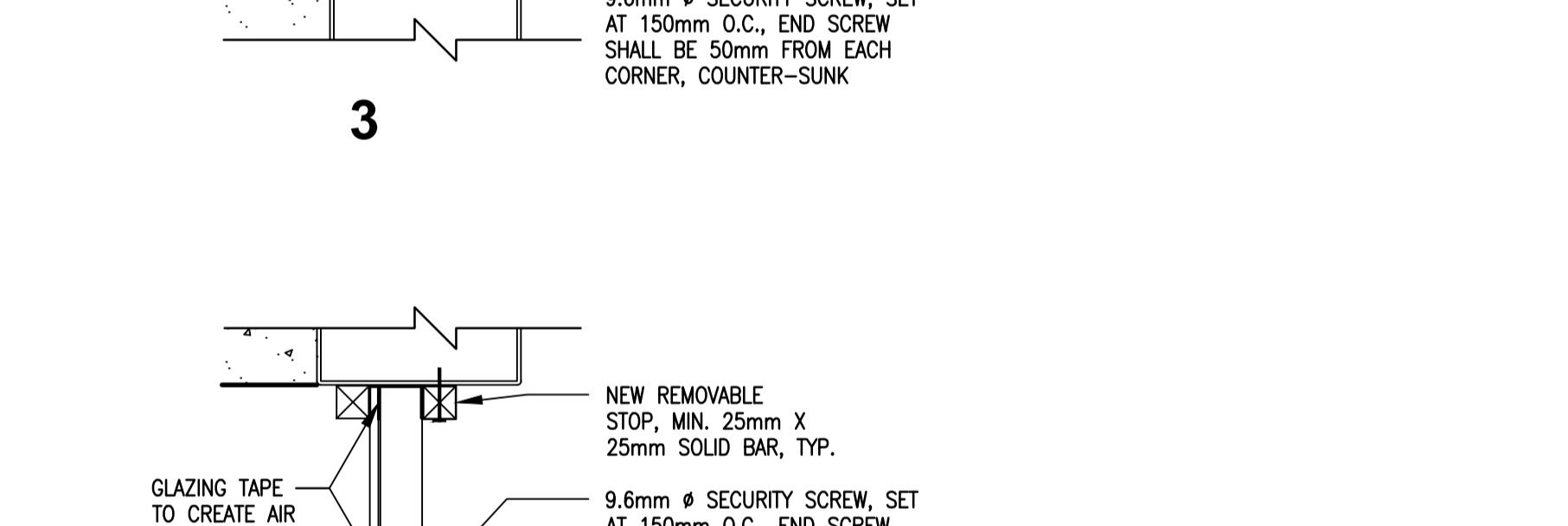
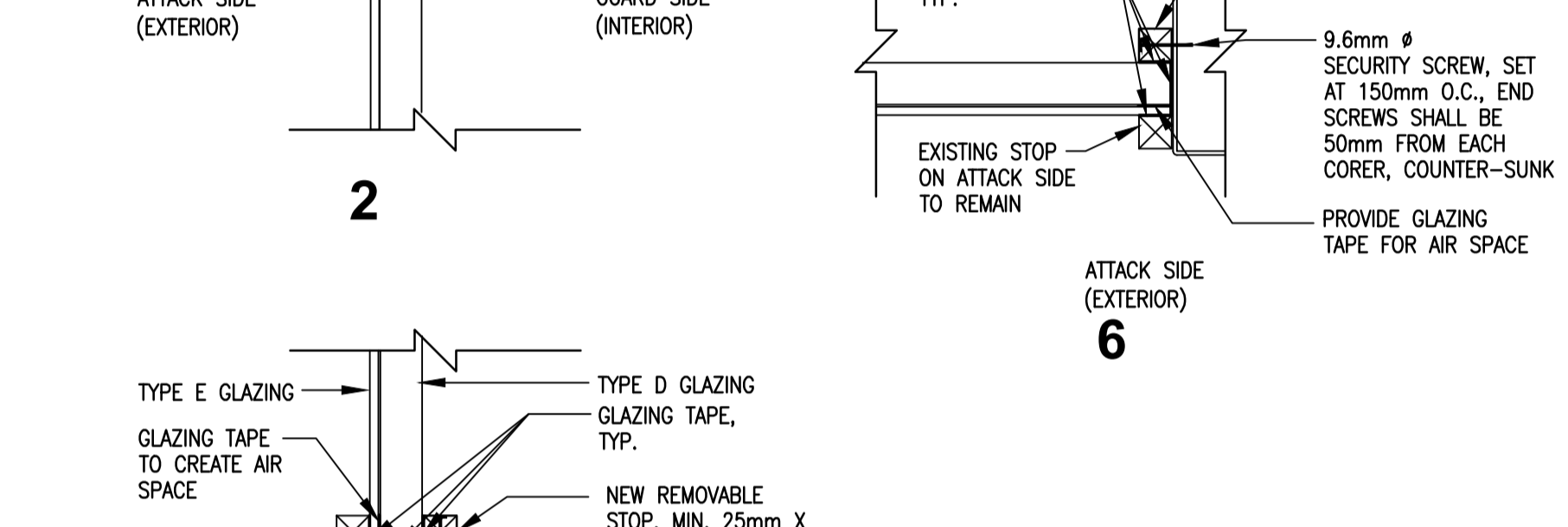
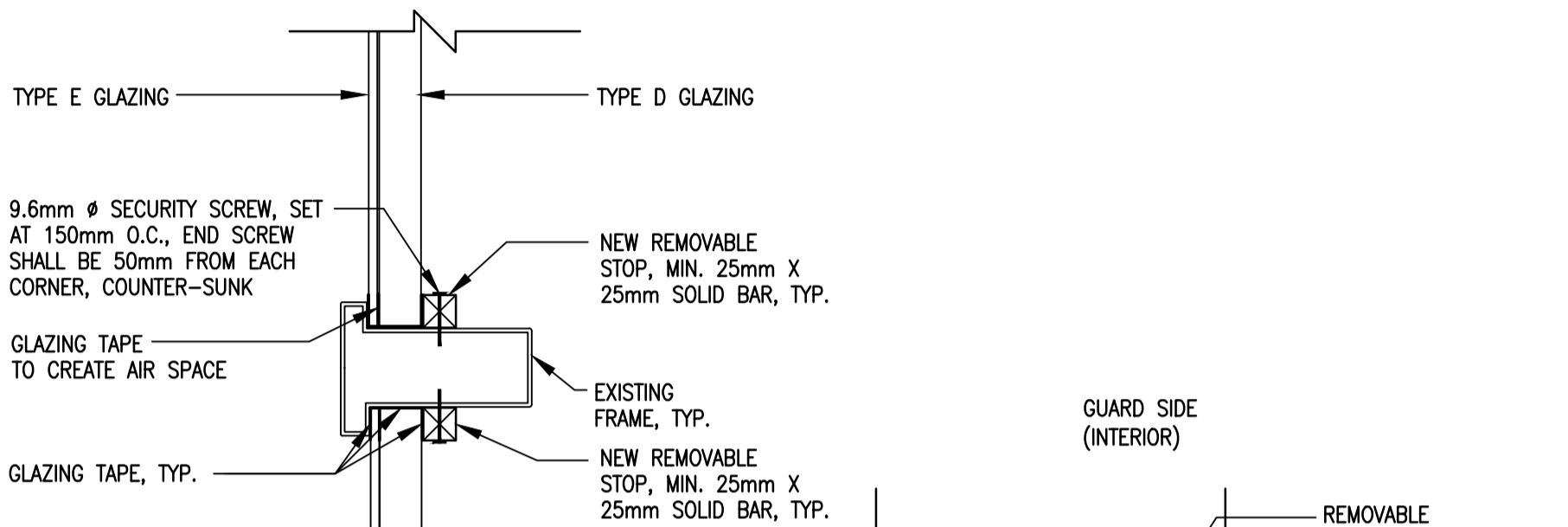
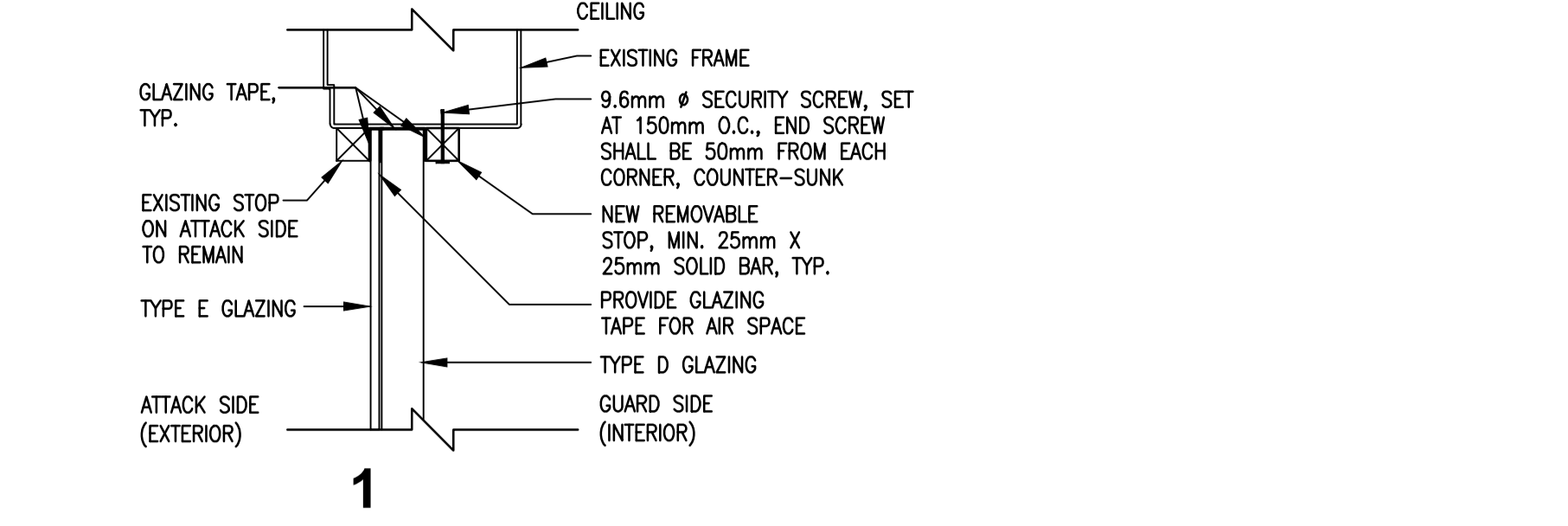


01 KEY PLAN
A10 N.T.S.

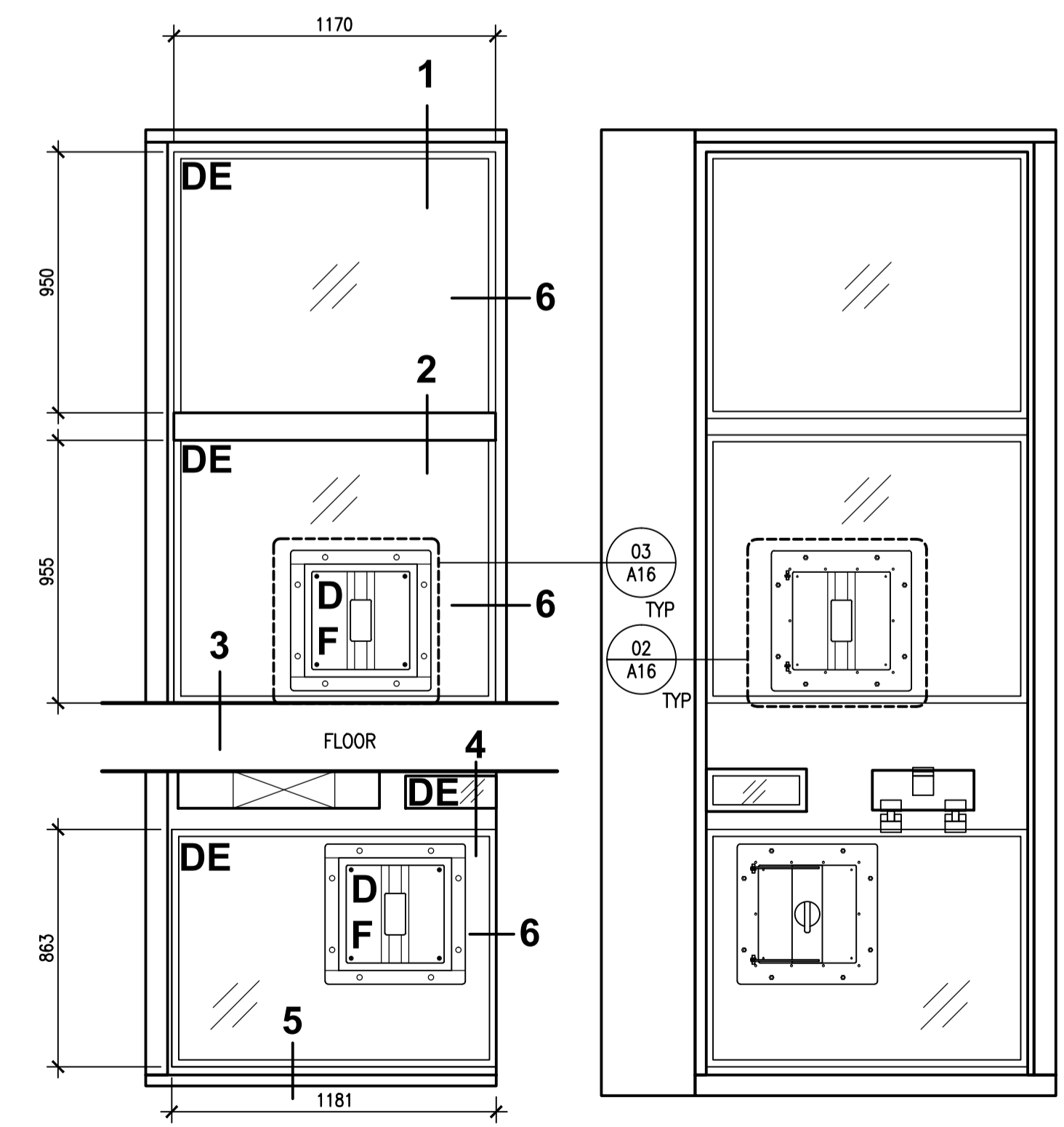


03 ATTACK SIDE
A10 1 : 20

04 GUARD SIDE
A10 1 : 20



07 DETAILS
A10 1 : 5



05 ATTACK SIDE
A10 1 : 20

06 GUARD SIDE
A10 1 : 20

PROJECT CRITERIA

CONTROL POST TYPE: OBSERVATION CONTROL POST
GLAZING: GLAZING SHALL MEET THE EQUIVALENT H.P. WHITE RATING OF LEVEL C BALLISTICS AND LEVEL III FORCED ENTRY OR CLASS / LEVEL HG4 BALLISTICS (TABLE 1) AND CLASS IV FORCED ENTRY (TABLE 2, SEQUENCE 31) IN ASTM F1233-08. 32mm POLYCARBONATE LAMINATED (SP 1250) AS TESTED AND APPROVED BY HP WHITE.

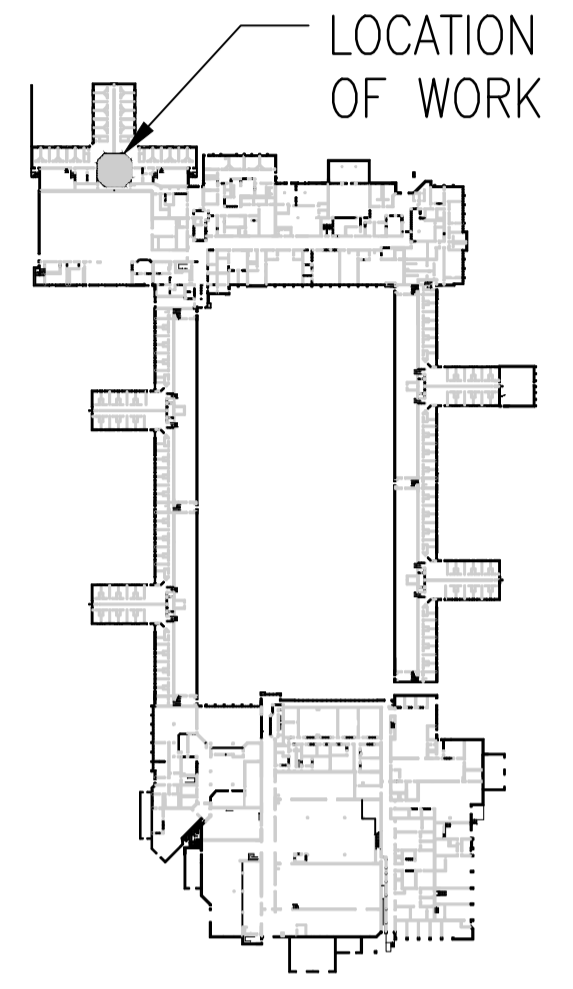
PROJECT SCOPE

1. PREPARE MOCK-UP FOR REVIEW.
2. REPLACE EXISTING GLAZING WITH NEW AS SCHEDULED.
3. REPLACE EXISTING WINDOW STOPS ON GUARD SIDE WITH NEW AS DETAILED.
4. REUSE EXISTING GUN PORTS, LOCATIONS TO MATCH EXISTING.
5. SUPPLY AND INSTALL NEW FASTENERS FOR GUN PORTS, SIZE AND TYPE TO MATCH EXISTING.
6. REPLACE EXISTING DOOR GLAZING WITH NEW AS SCHEDULED. * IMPORTANT: GLAZING REMOVAL AND INSTALLATION MUST BE COMPLETED SIMULTANEOUSLY FOR EACH PANE
7. DISCARD EXISTING GLAZING AND GUARD-SIDE STOPS.
8. PAINT NEW WINDOW STOPS WITH RUST-RESISTANT GRAY PRIMER.
9. FINAL PAINT FINISH BY OTHERS.

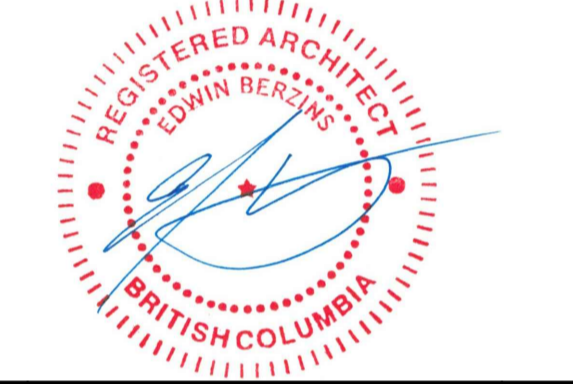
NEW GLAZING SCHEDULE

TYPE	PANE	DESCRIPTION
D	SINGLE PANE	32mm POLYCARBONATE LAMINATED GLAZING, WITH ABRASION RESISTANCE TREATMENT ON BOTH SIDES
E	SINGLE PANE	6mm TEMPERED GLASS (SACRIFICIAL LAYER)
F	SINGLE PANE	6mm POLYCARBONATE (GUN PORT REDUCER PANEL), WITH ABRASION RESISTANCE TREATMENT ON BOTH SIDES

02 PROJECT NOTES
A10 N.T.S.



BUILDING KEY PLAN



2	ISSUED FOR TENDER	2016/12/29
1	ISSUED FOR 99% REVIEW	2016/10/06

Revision/	Description/Description	Date/Date
-----------	-------------------------	-----------

Client/client
PUBLIC WORKS AND GOVERNMENT SERVICES CANADA
219 - 800 BARRARD STREET VANCOUVER, BC V6Z 0B9

Project title/Titre du projet
AGASSIZ, BC V0M 1A0 4732 CEMETERY ROAD BUILDING J-K, KENT INSTITUTION
KENT SEGREGATION CONTROL POST GLAZING REPLACEMENT

Consultant Signature Only

Designed by/Concept par
EDWIN BERZINS

Drawn by/Dessiné par
MING HSU

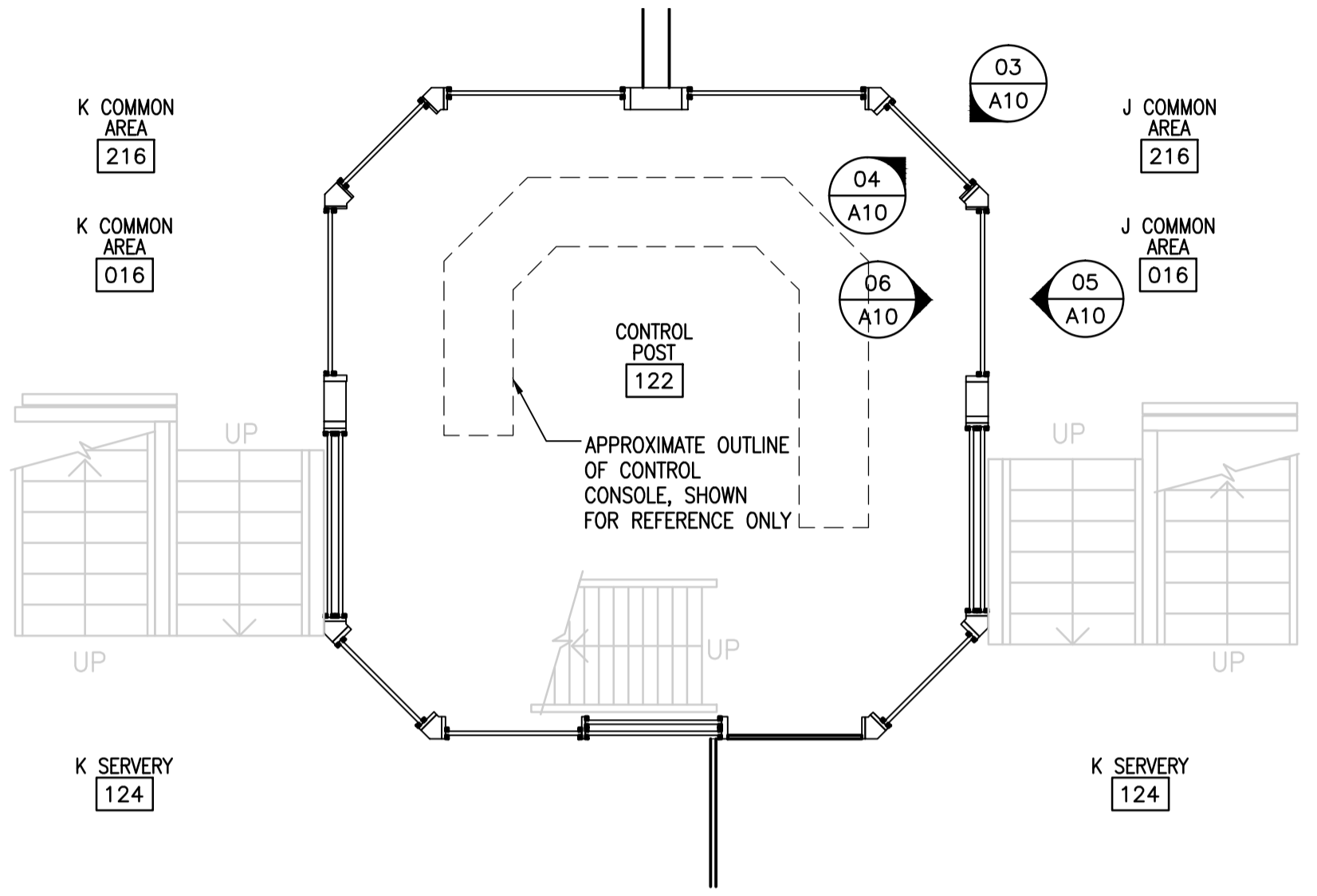
PWGC Project Manager/Administrateur de Projets TPSC
JOSKO DUJMOVIC

PWGC, Architectural and Engineering Resources Manager/ Ressources Architectural et de Directeur d'Ingénierie, TPSC
PREETIPAL PAUL

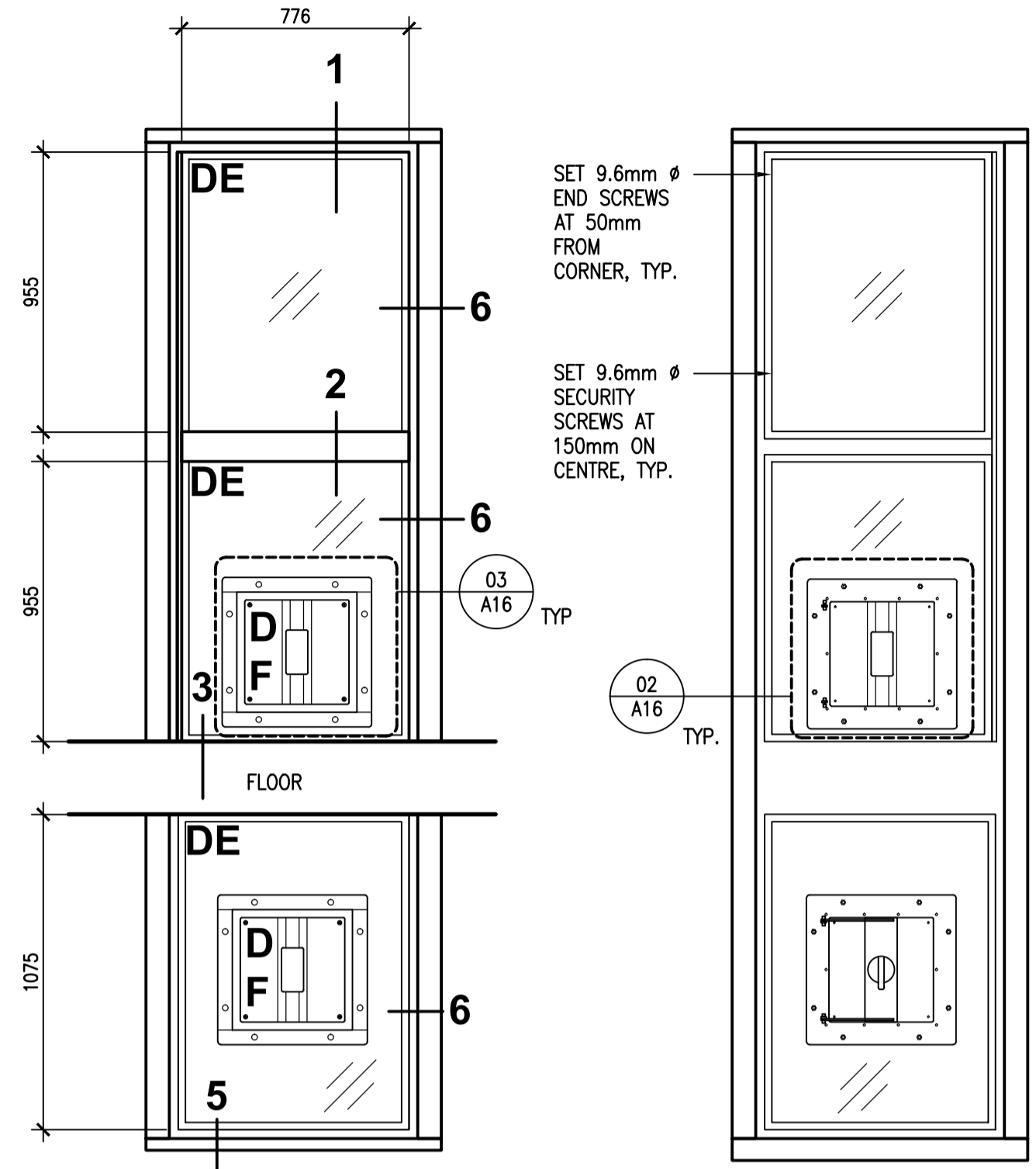
Client/client
PWGC

Drawing title/Titre du dessin
NEW PLANS, ELEVATIONS, AND DETAILS

Project No./No. du projet R. 082441.001	Sheet/Feuille A11 OF 18	Revision no./La Révision no. 2
---	--------------------------------------	--

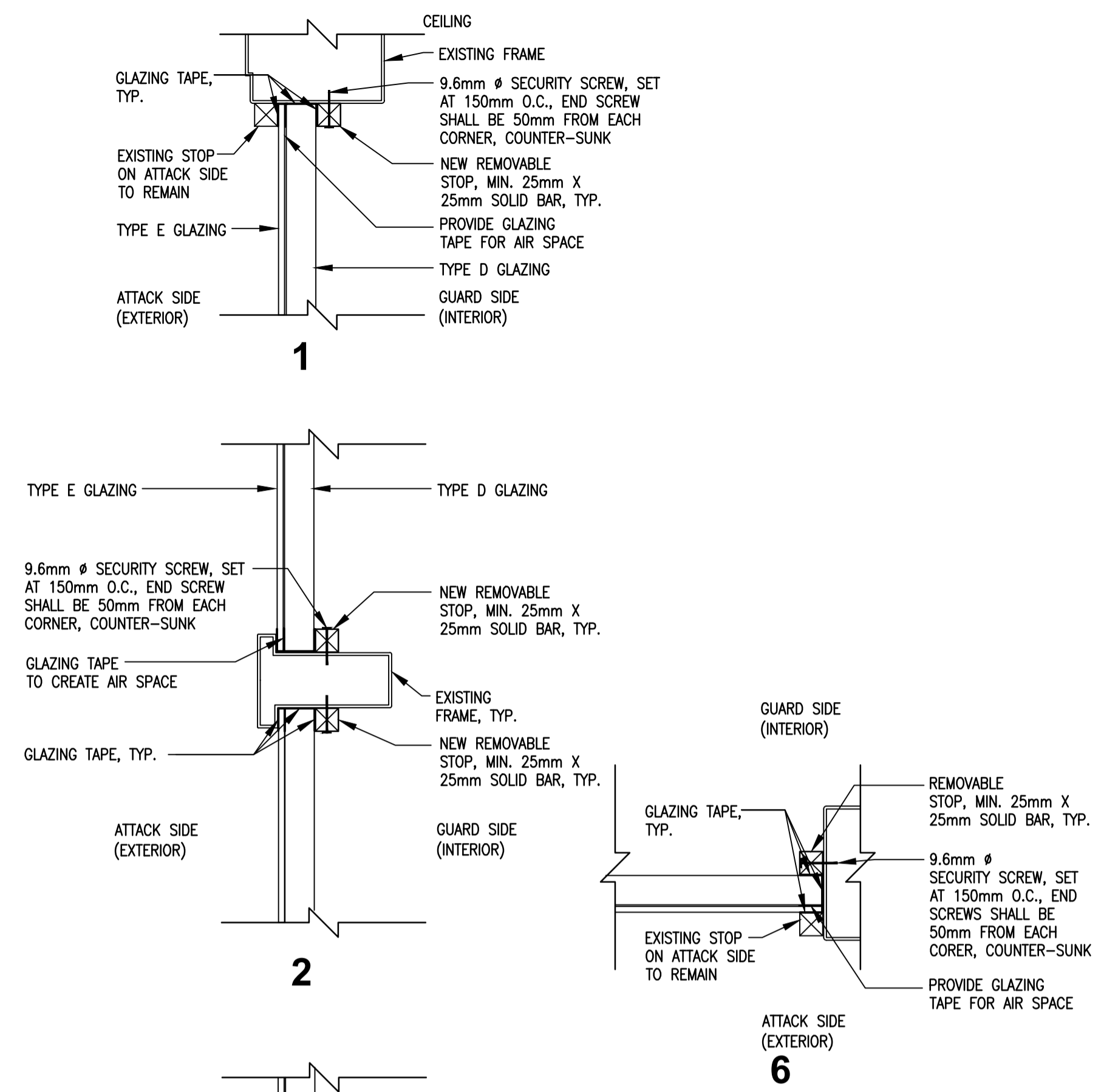


01 KEY PLAN
A11 N.T.S.



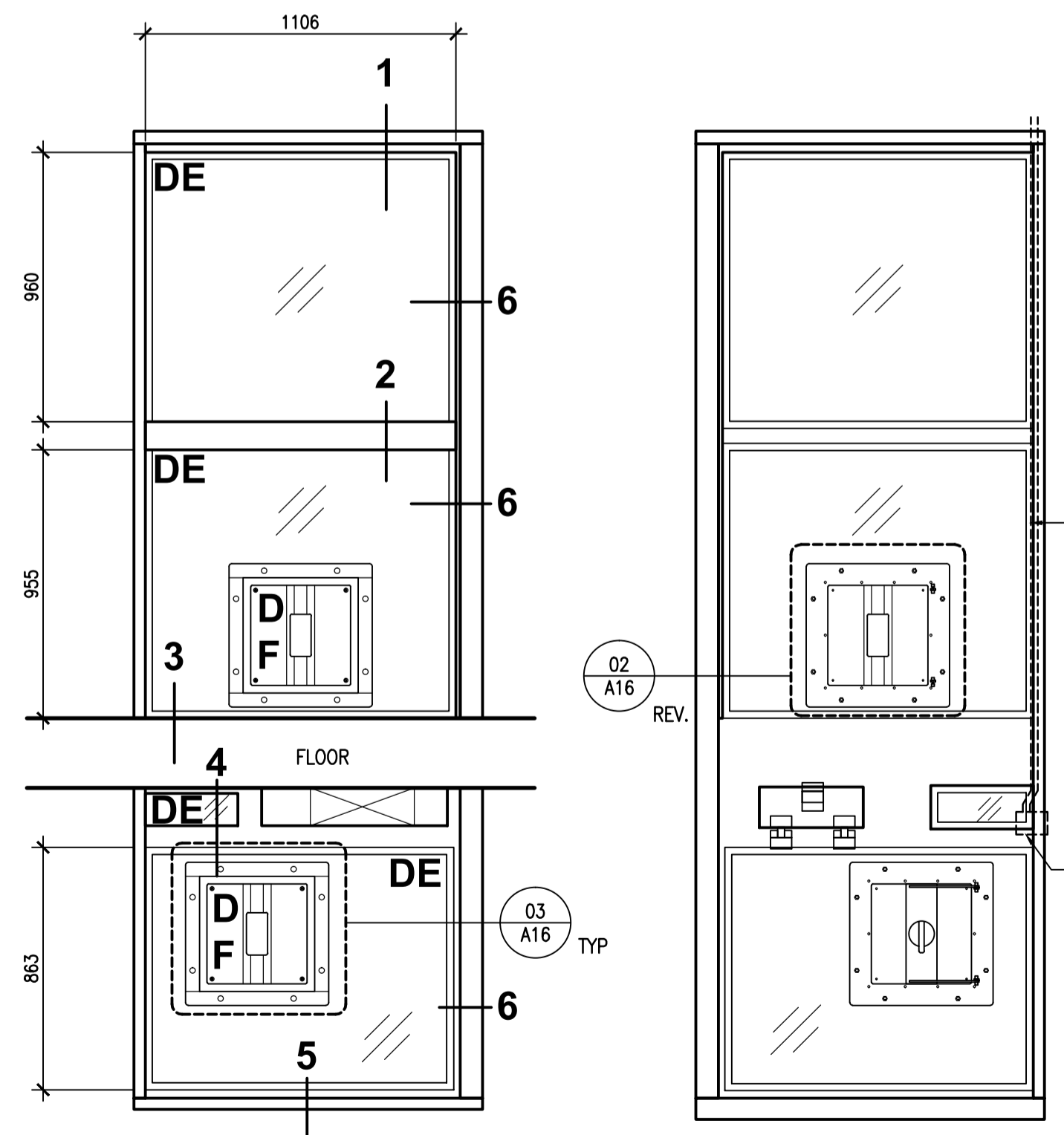
03 ATTACK SIDE
A11 1 : 20

04 GUARD SIDE
A11 1 : 20



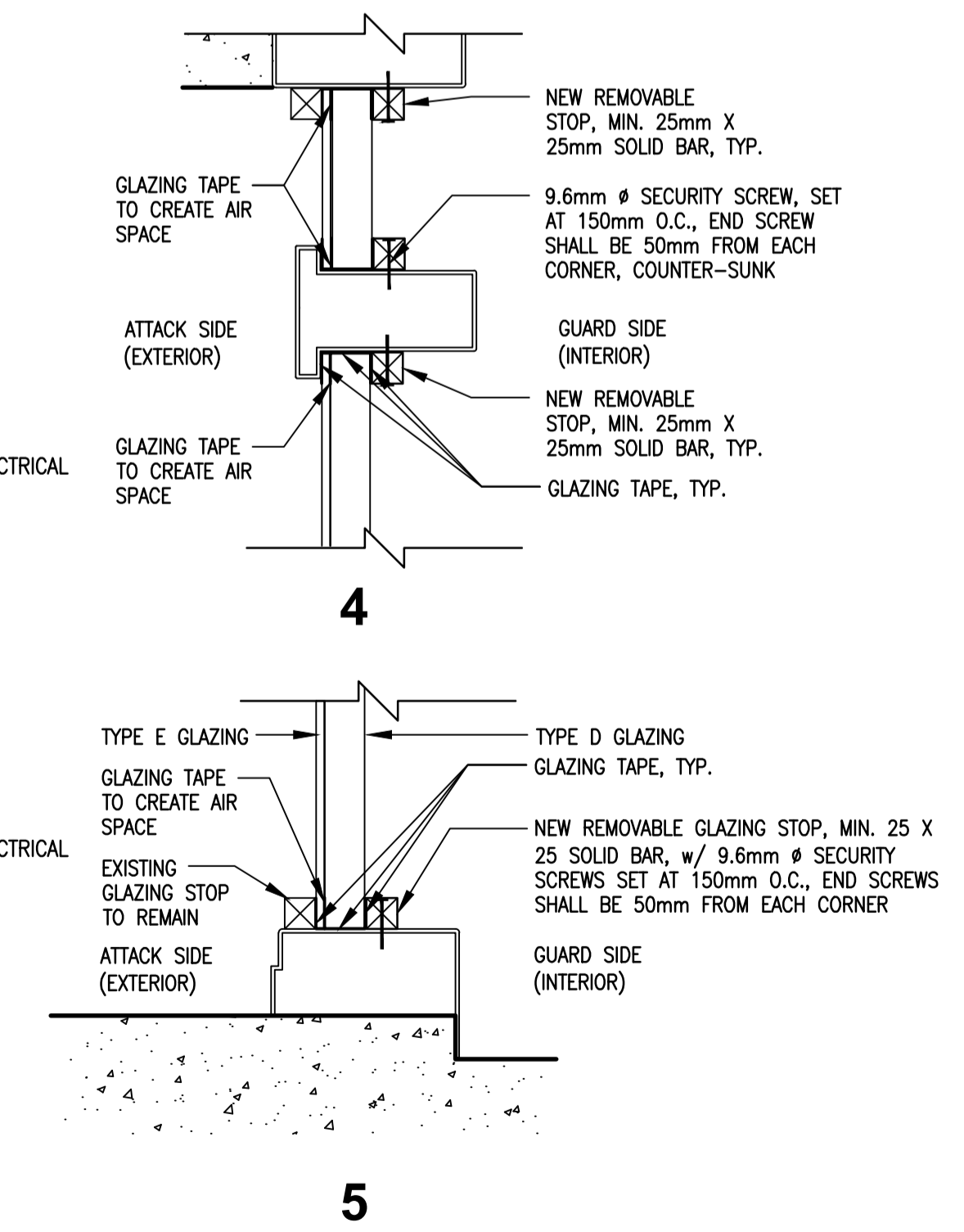
05 ATTACK SIDE
A11 1 : 20

06 GUARD SIDE
A11 1 : 20



05 ATTACK SIDE
A11 1 : 20

06 GUARD SIDE
A11 1 : 20



07 DETAILS
A11 1 : 5

PROJECT CRITERIA

CONTROL POST TYPE: OBSERVATION CONTROL POST
GLAZING: GLAZING SHALL MEET THE EQUIVALENT H.P. WHITE RATING OF LEVEL C BALLISTICS AND LEVEL III FORCED ENTRY OR CLASS / LEVEL HG4 BALLISTICS (TABLE 1) AND CLASS IV FORCED ENTRY (TABLE 2, SEQUENCE 31) IN ASTM F1233-08. 32mm POLYCARBONATE LAMINATED (SP 1250) AS TESTED AND APPROVED BY HP WHITE.

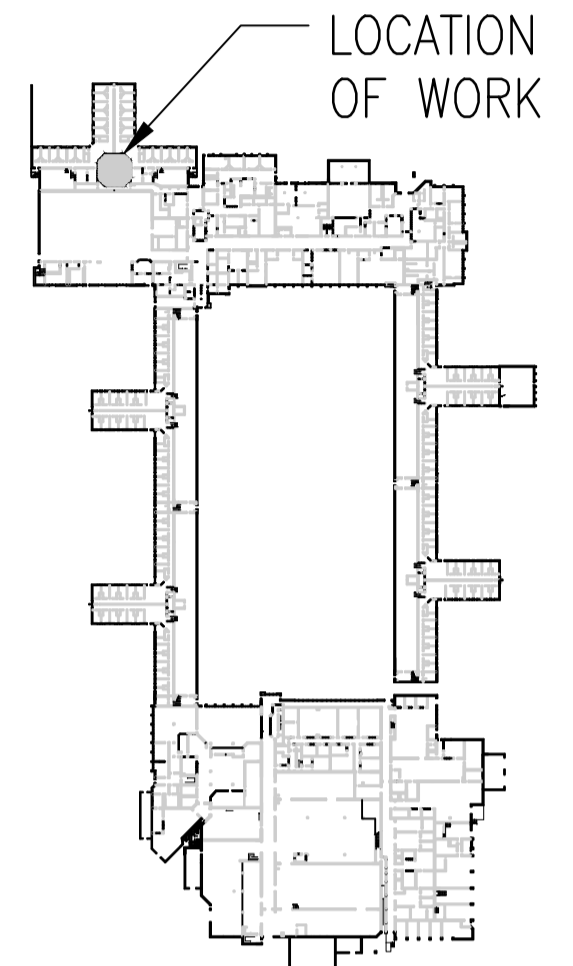
PROJECT SCOPE

1. PREPARE MOCK-UP FOR REVIEW.
2. REPLACE EXISTING GLAZING WITH NEW AS SCHEDULED.
3. REPLACE EXISTING WINDOW STOPS ON GUARD SIDE WITH NEW AS DETAILED.
4. REUSE EXISTING GUN PORTS, LOCATIONS TO MATCH EXISTING.
5. SUPPLY AND INSTALL NEW FASTENERS FOR GUN PORTS, SIZE AND TYPE TO MATCH EXISTING.
6. REPLACE EXISTING DOOR GLAZING WITH NEW AS SCHEDULED. * IMPORTANT: GLAZING REMOVAL AND INSTALLATION MUST BE COMPLETED SIMULTANEOUSLY FOR EACH PANE
7. DISCARD EXISTING GLAZING AND GUARD-SIDE STOPS.
8. PAINT NEW WINDOW STOPS WITH RUST-RESISTANT GRAY PRIMER.
9. FINAL PAINT FINISH BY OTHERS.

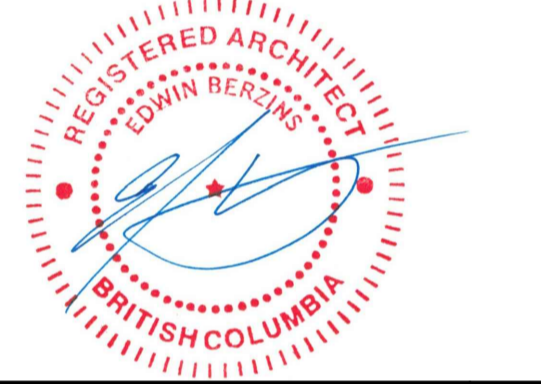
NEW GLAZING SCHEDULE

TYPE	PANE	DESCRIPTION
D	SINGLE PANE	32mm POLYCARBONATE LAMINATED GLAZING, WITH ABRASION RESISTANCE TREATMENT ON BOTH SIDES
E	SINGLE PANE	6mm TEMPERED GLASS (SACRIFICIAL LAYER)
F	SINGLE PANE	6mm POLYCARBONATE (GUN PORT REDUCER PANEL), WITH ABRASION RESISTANCE TREATMENT ON BOTH SIDES

02 PROJECT NOTES
A11 N.T.S.



BUILDING KEY PLAN



2	ISSUED FOR TENDER	2016/12/29
1	ISSUED FOR 99% REVIEW	2016/10/06

Revision/Description/Date/Date

Client/client

PUBLIC WORKS AND GOVERNMENT SERVICES CANADA
219 - 800 BARRARD STREET
VANCOUVER, BC V6Z 0B9

Project title/Titre du projet
**AGASSIZ, BC V0M 1A0
4732 CEMETERY ROAD
BUILDING J-K, KENT INSTITUTION**
**KENT SEGREGATION CONTROL POST
GLAZING REPLACEMENT**

Consultant Signature Only

Designed by/Concept par
EDWIN BERZINS

Drawn by/Dessiné par
MING HSU

PWGC Project Manager/Administrateur de Projets TPSC
JOSKO DUJMOVIC

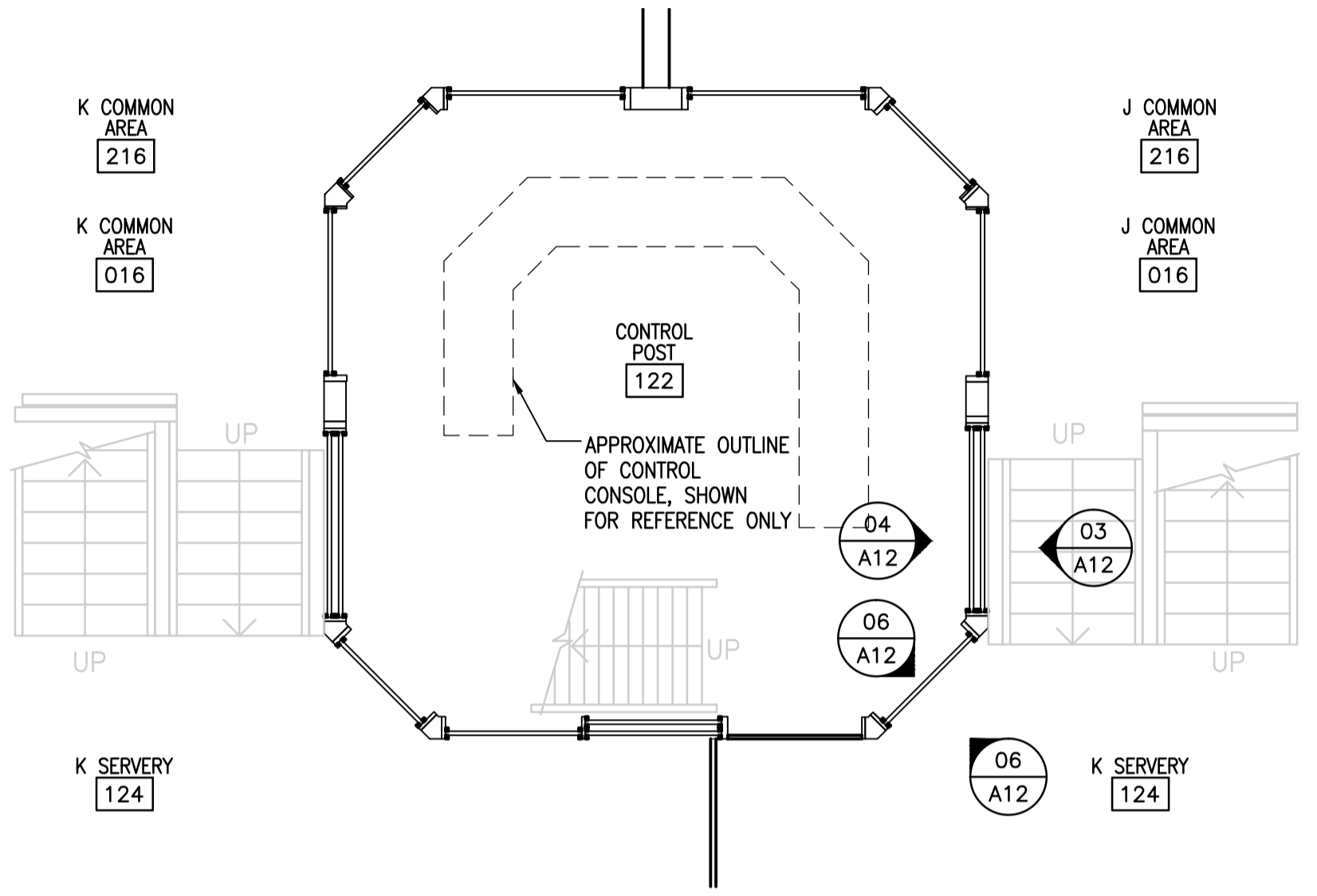
PWGC, Architectural and Engineering Resources Manager/
Ressources Architectural et de Directeur d'Ingénierie, TPSC
PREETIPAL PAUL

Client/client
PWGC

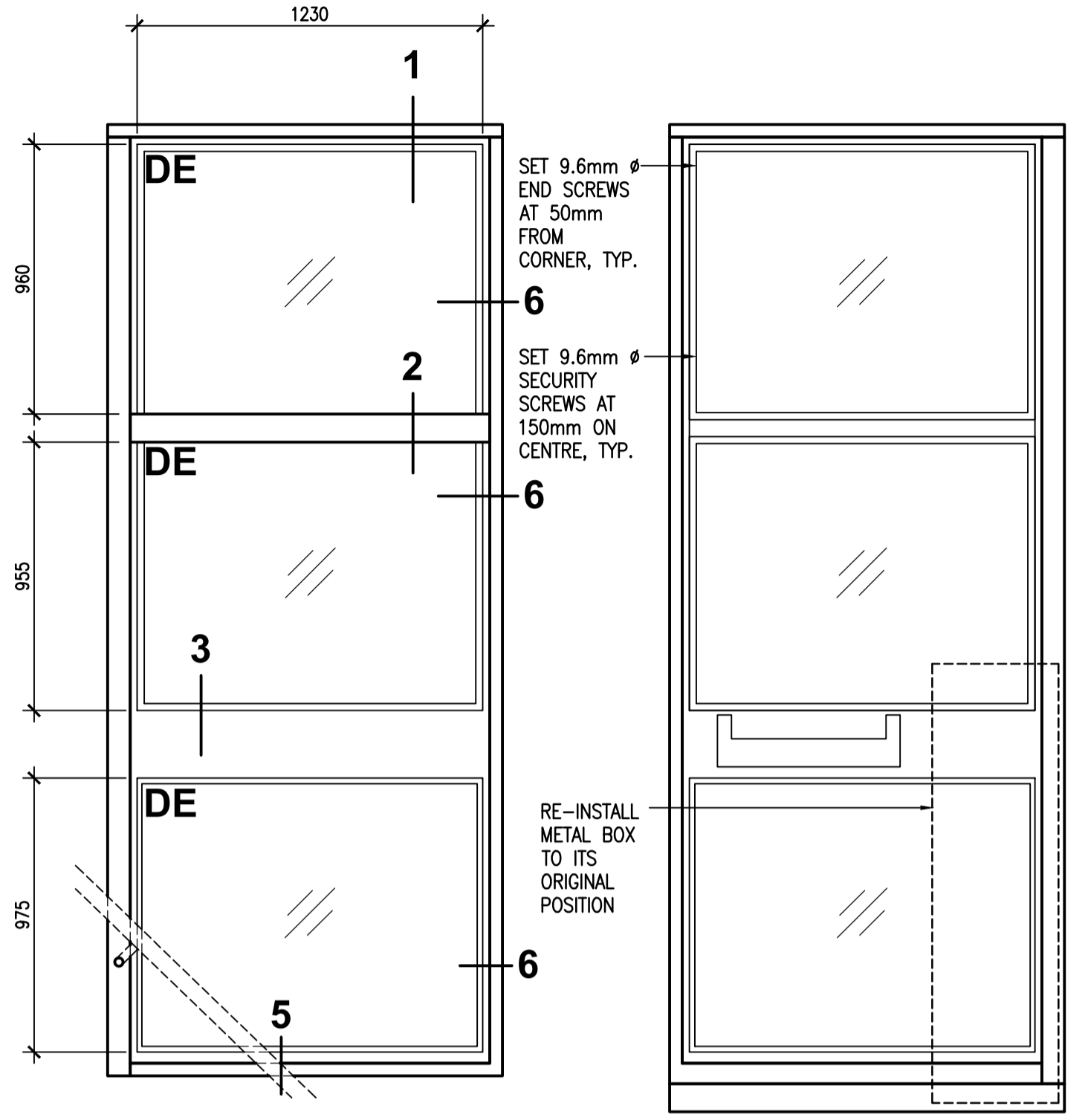
Drawing title/Titre du dessin

NEW PLANS, ELEVATIONS, AND DETAILS

Project No./No. du projet R. 082441.001	Sheet/Feuille A12 OF 18	Revision no./La Révision no. 1
---	--------------------------------------	--

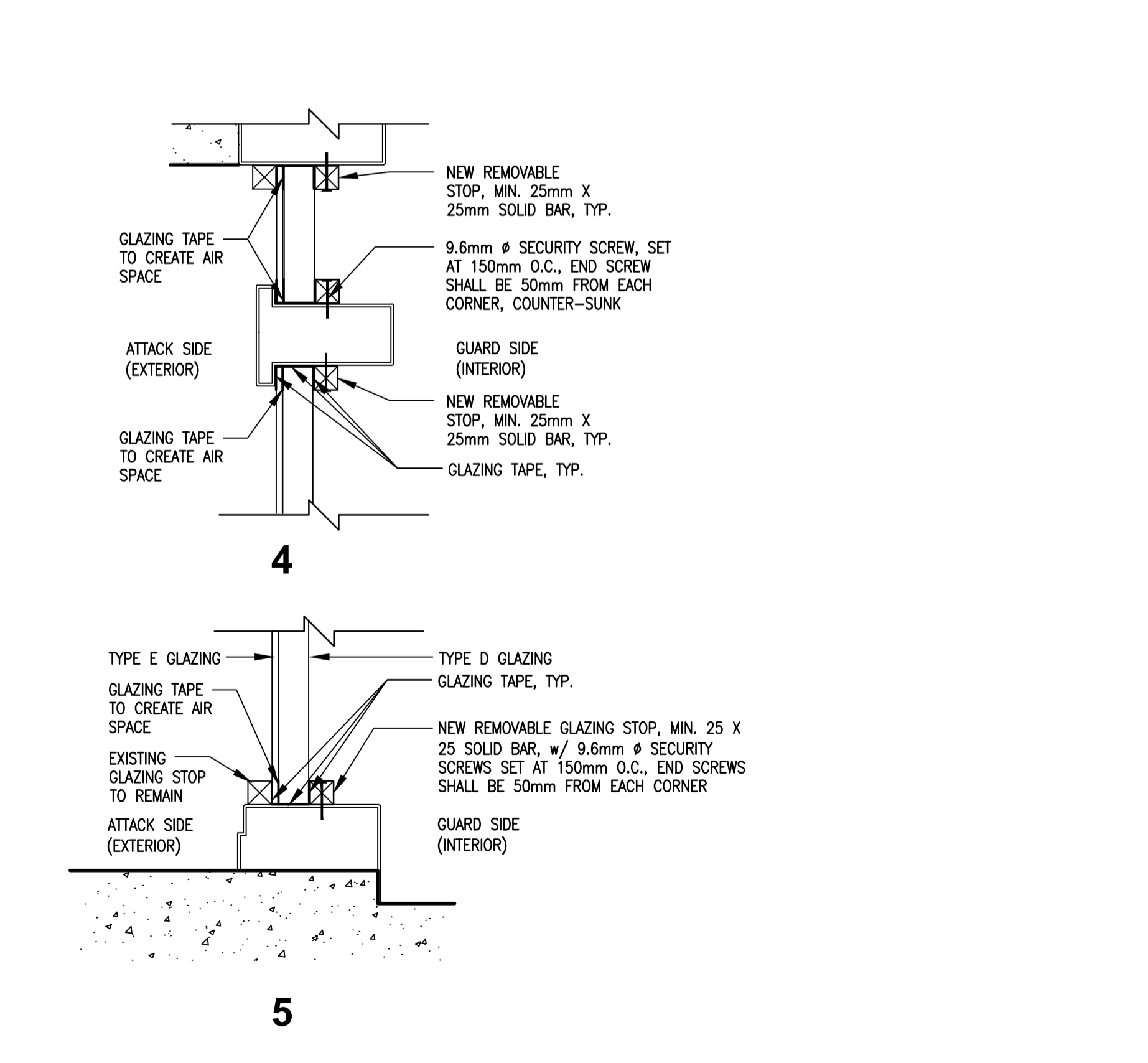
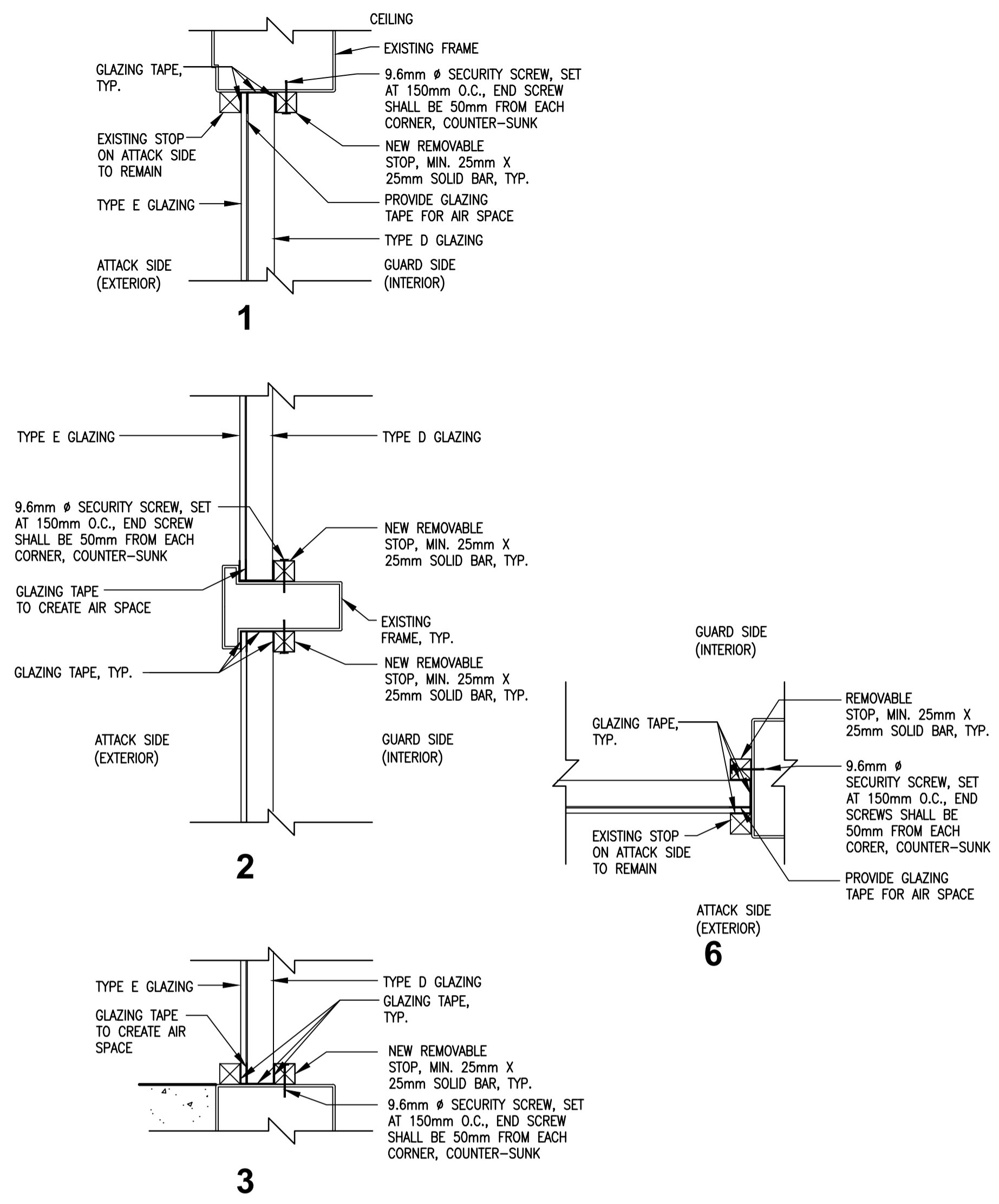


01 KEY PLAN
A12 N.T.S.



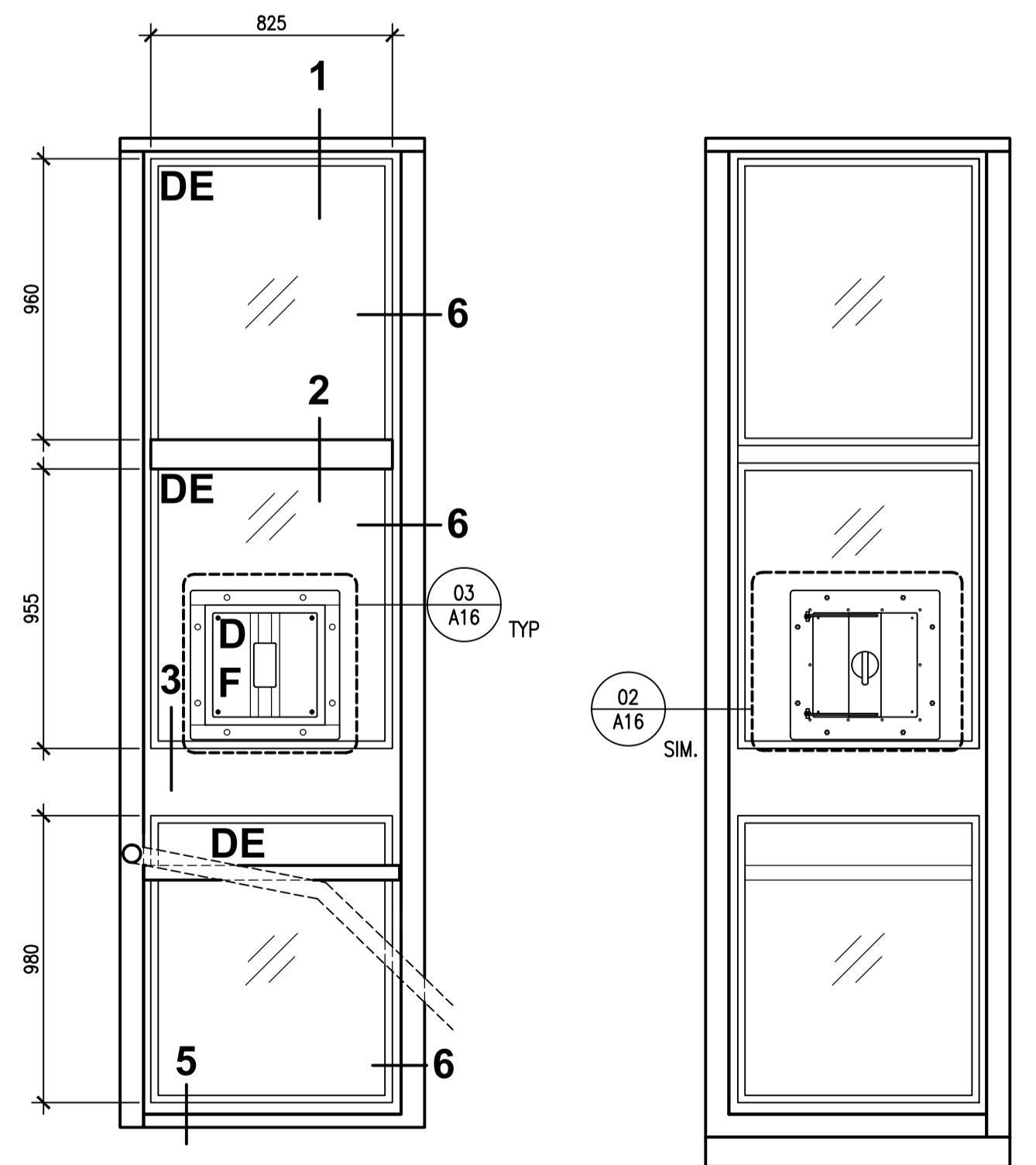
03 ATTACK SIDE
A12 1 : 20

04 GUARD SIDE
A12 1 : 20



06 GUARD SIDE
A12 1 : 20

07 DETAILS
A12 1 : 5



05 ATTACK SIDE
A12 1 : 20

PROJECT CRITERIA

CONTROL POST TYPE: OBSERVATION CONTROL POST
GLAZING: GLAZING SHALL MEET THE EQUIVALENT H.P. WHITE RATING OF LEVEL C BALLISTICS AND LEVEL III FORCED ENTRY OR CLASS / LEVEL HG4 BALLISTICS (TABLE 1) AND CLASS IV FORCED ENTRY (TABLE 2, SEQUENCE 31) IN ASTM F1233-08. 32mm POLYCARBONATE LAMINATED (SP 1250) AS TESTED AND APPROVED BY HP WHITE.

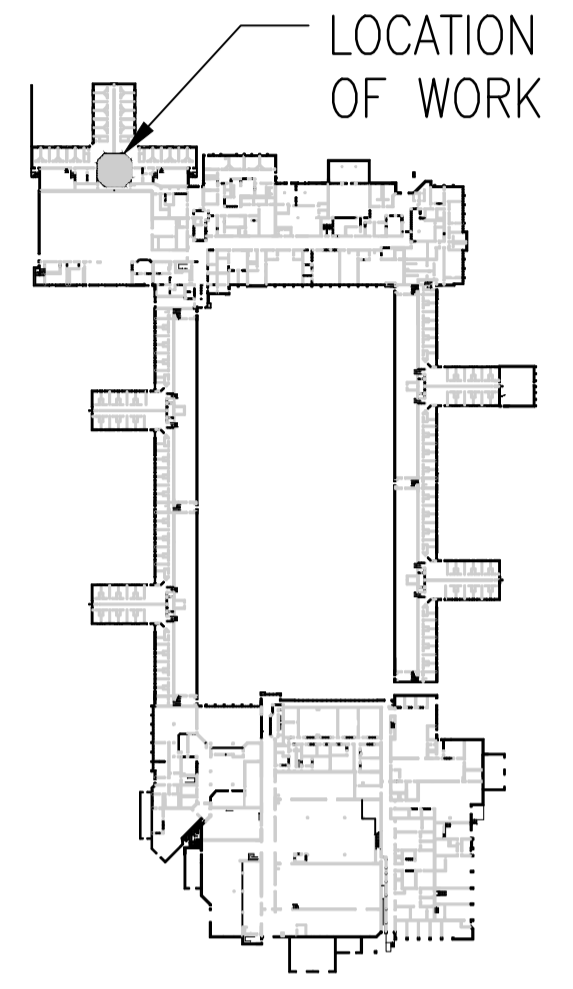
PROJECT SCOPE

1. PREPARE MOCK-UP FOR REVIEW.
2. REPLACE EXISTING GLAZING WITH NEW AS SCHEDULED.
3. REPLACE EXISTING WINDOW STOPS ON GUARD SIDE WITH NEW AS DETAILED.
4. REUSE EXISTING GUN PORTS, LOCATIONS TO MATCH EXISTING.
5. SUPPLY AND INSTALL NEW FASTENERS FOR GUN PORTS, SIZE AND TYPE TO MATCH EXISTING.
6. REPLACE EXISTING DOOR GLAZING WITH NEW AS SCHEDULED. * IMPORTANT: GLAZING REMOVAL AND INSTALLATION MUST BE COMPLETED SIMULTANEOUSLY FOR EACH PANE
7. DISCARD EXISTING GLAZING AND GUARD-SIDE STOPS.
8. PAINT NEW WINDOW STOPS WITH RUST-RESISTANT GRAY PRIMER.
9. FINAL PAINT FINISH BY OTHERS.

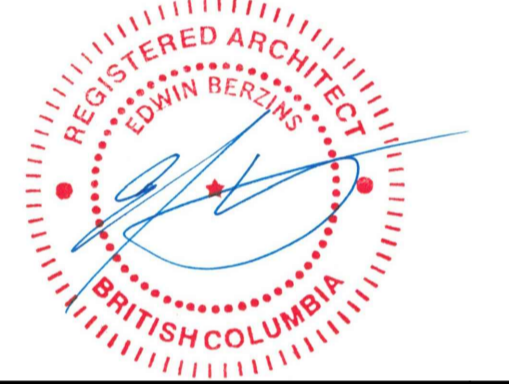
NEW GLAZING SCHEDULE

TYPE	PANE	DESCRIPTION
D	SINGLE PANE	32mm POLYCARBONATE LAMINATED GLAZING, WITH ABRASION RESISTANCE TREATMENT ON BOTH SIDES
E	SINGLE PANE	6mm TEMPERED GLASS (SACRIFICIAL LAYER)
F	SINGLE PANE	6mm POLYCARBONATE (GUN PORT REDUCER PANEL), WITH ABRASION RESISTANCE TREATMENT ON BOTH SIDES

02 PROJECT NOTES
A12 N.T.S.



BUILDING KEY PLAN



1	ISSUED FOR TENDER	2016/12/29
1	ISSUED FOR 99% REVIEW	2016/10/06

Revision/Description/Date/Date

Client/client
PUBLIC WORKS AND GOVERNMENT SERVICES CANADA
219 - 800 BARRARD STREET VANCOUVER, BC V6Z 0B9

Project title/Titre du projet
**AGASSIZ, BC V0M 1A0
4732 CEMETERY ROAD
BUILDING J-K, KENT INSTITUTION
KENT SEGREGATION CONTROL POST
GLAZING REPLACEMENT**

Consultant Signature Only

Designed by/Concept par
EDWIN BERZINS

Drawn by/Dessiné par
MING HSU

PWGC Project Manager/Administrateur de Projets TPSC
JOSKO DUJMOVIC

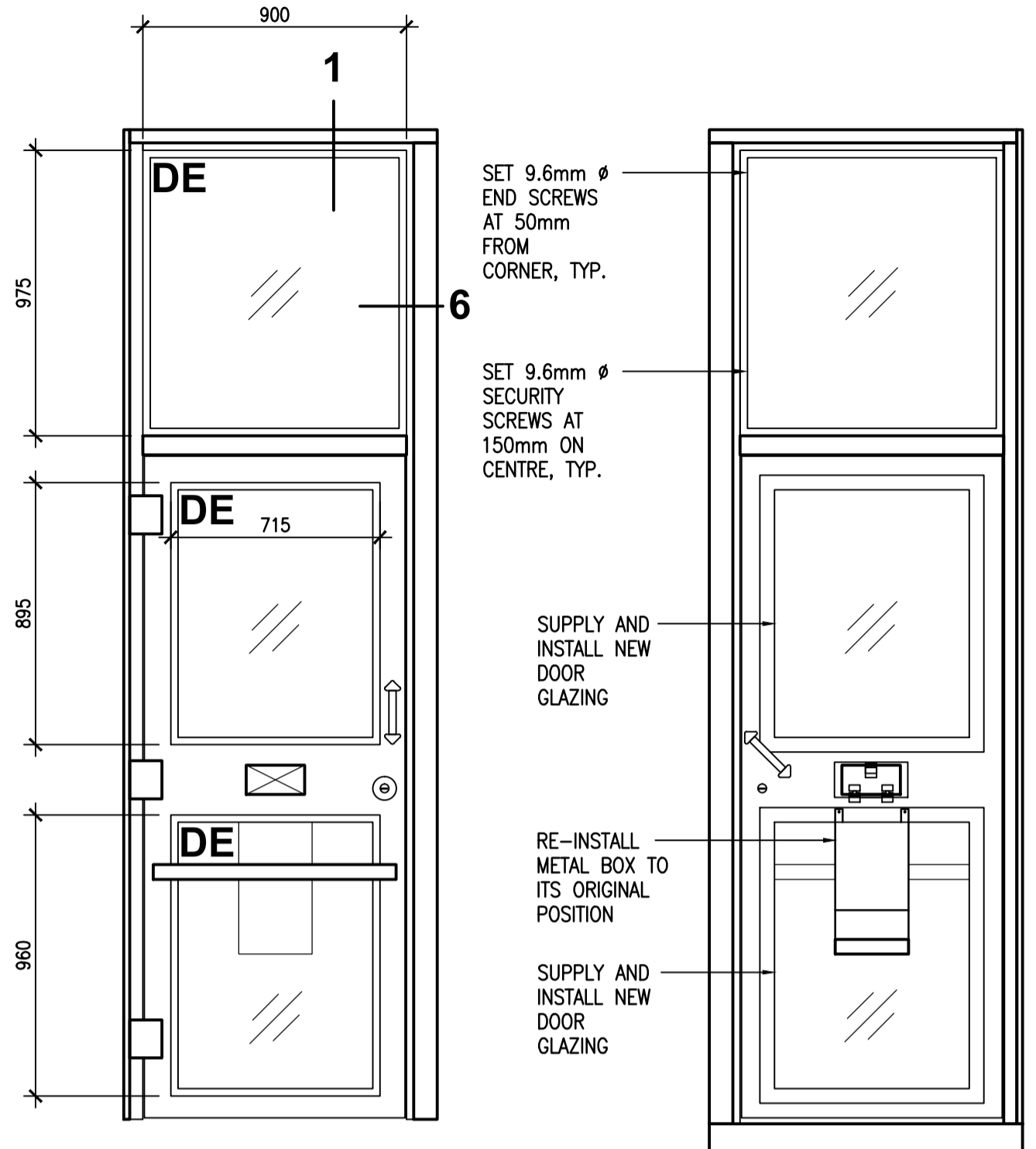
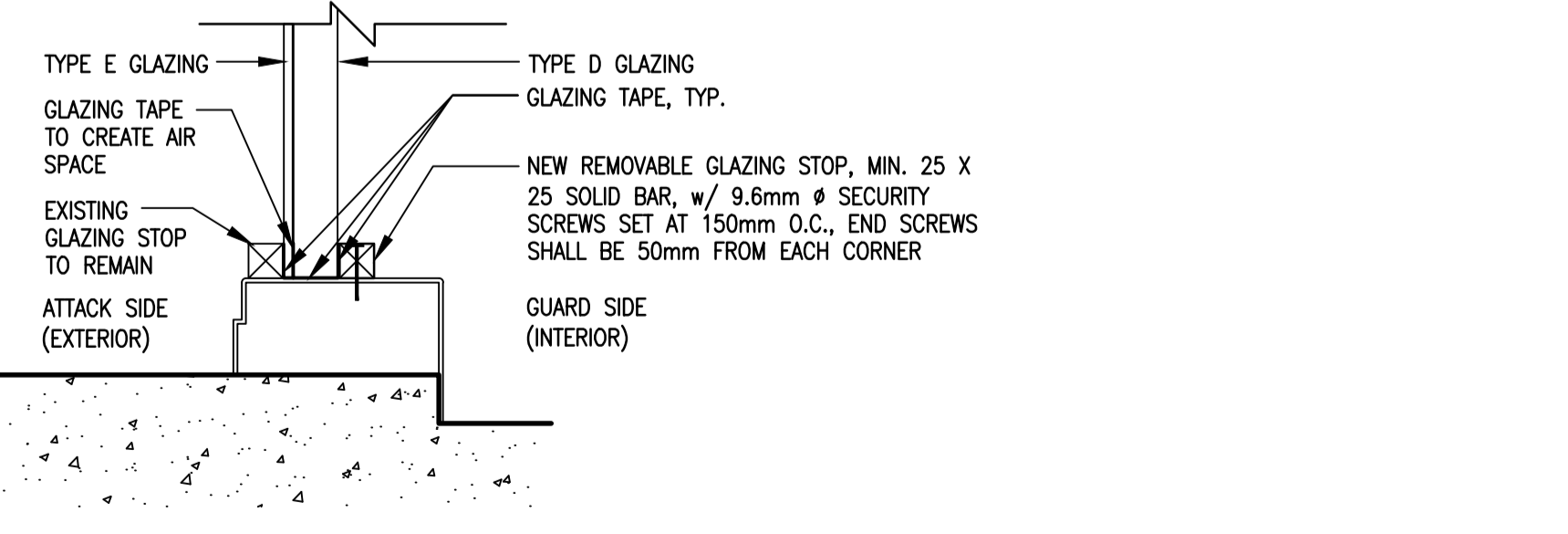
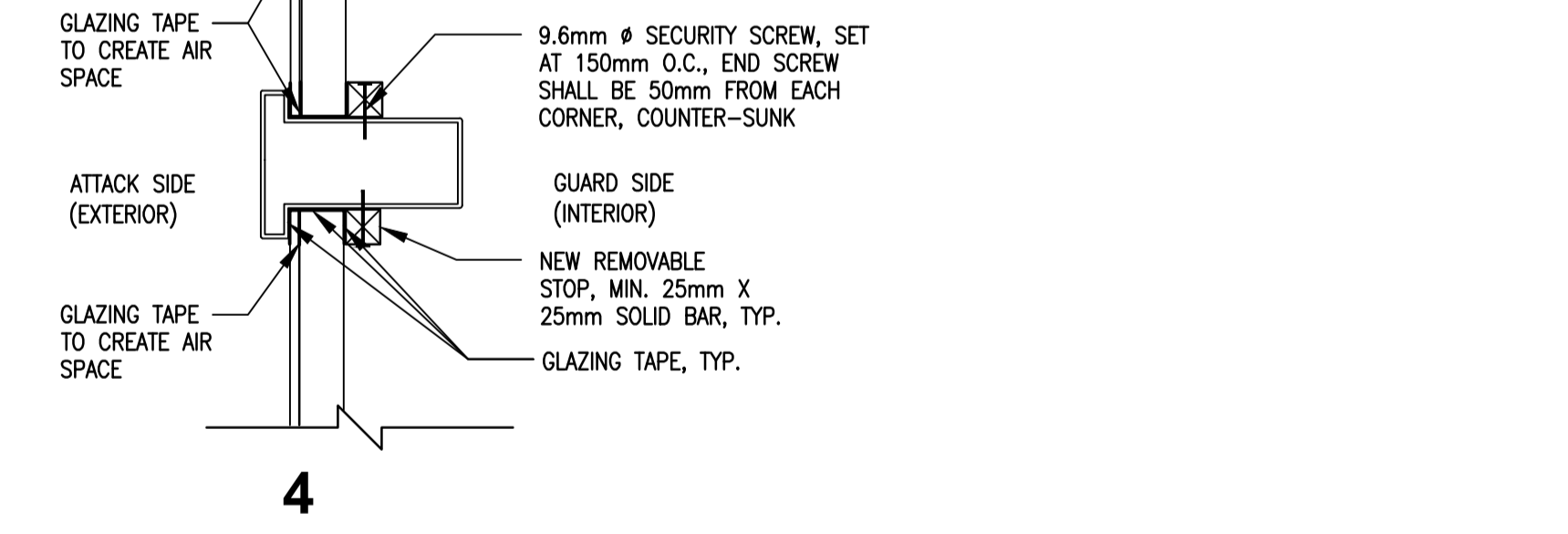
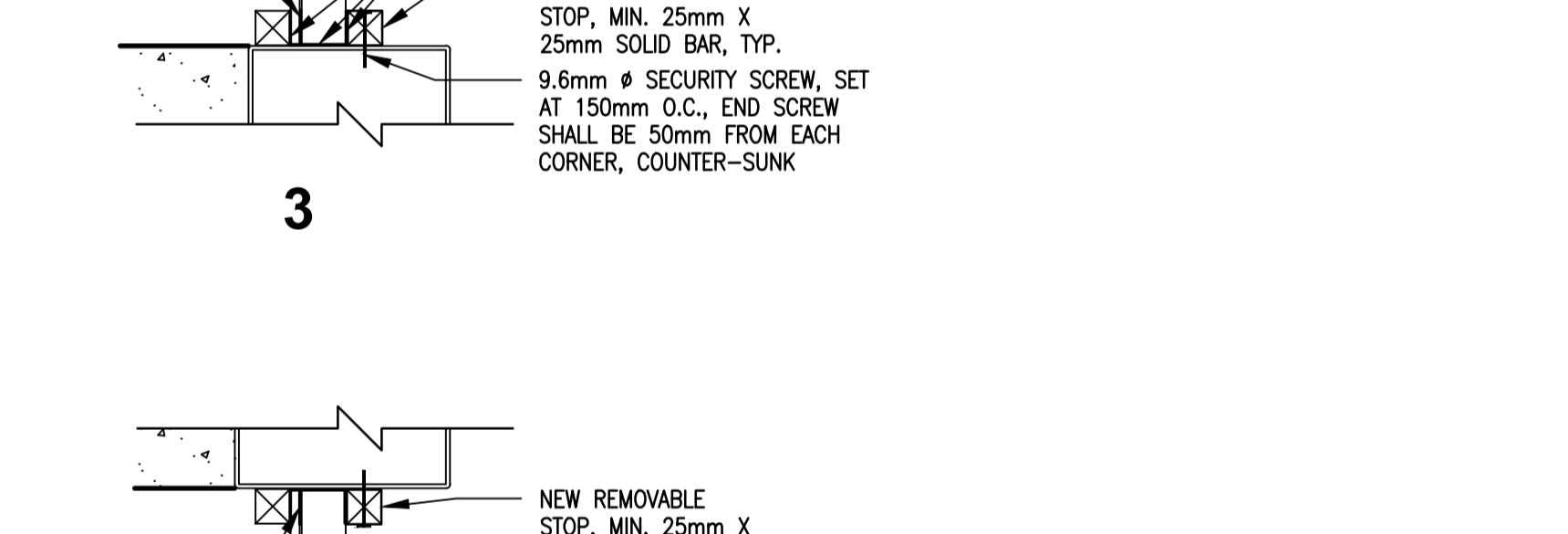
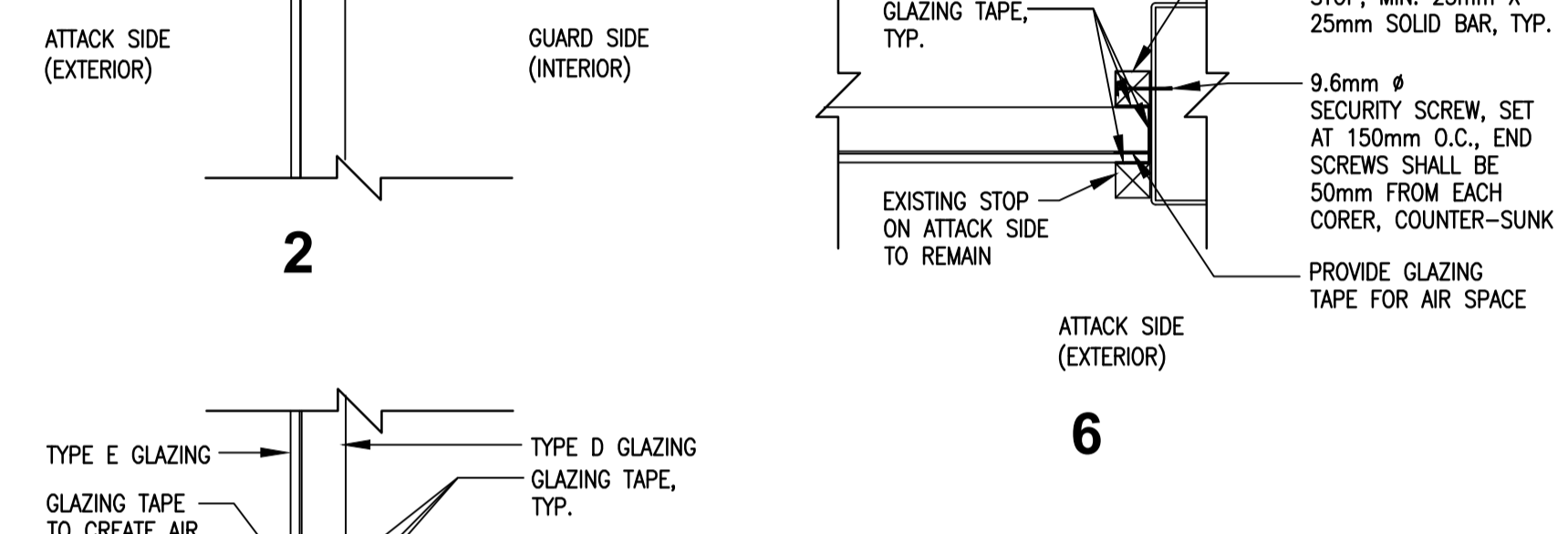
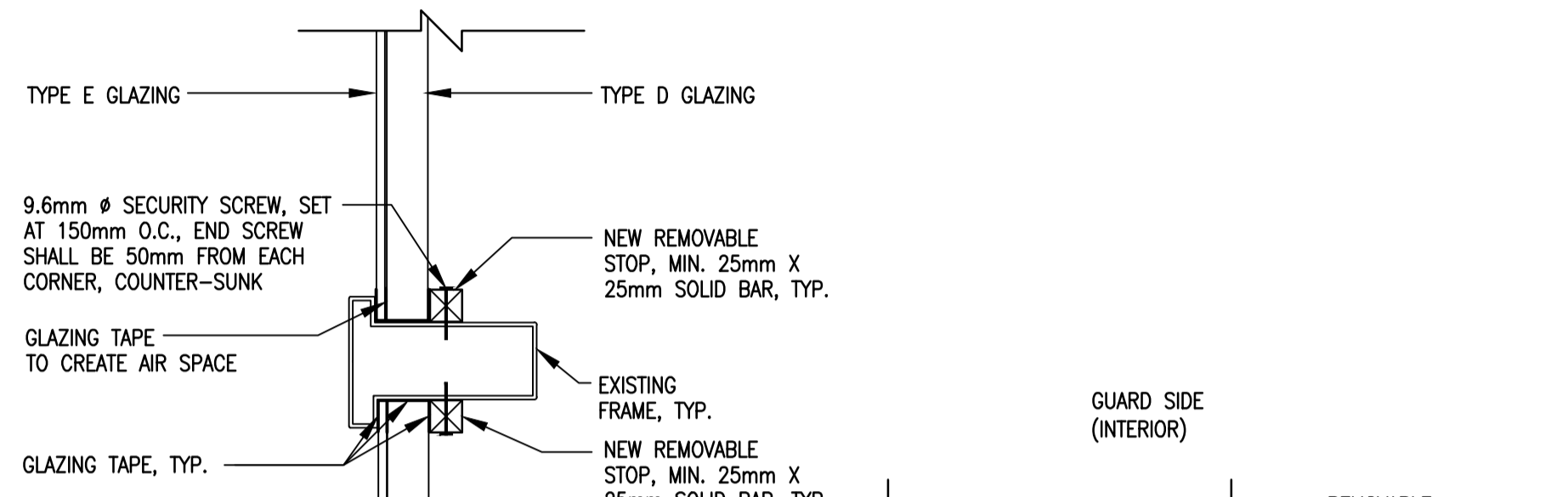
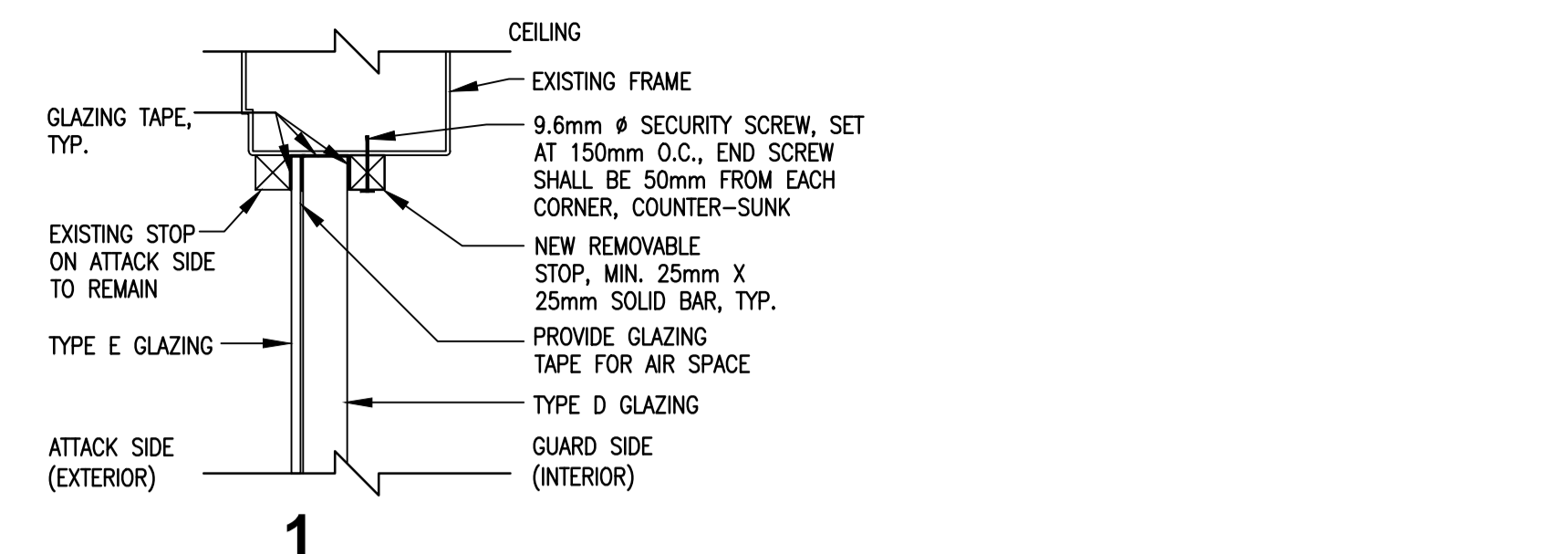
PWGC, Architectural and Engineering Resources Manager/
Ressources Architectural et de Directeur d'Ingénierie, TPSC
PREETIPAL PAUL

Client/client
PWGC

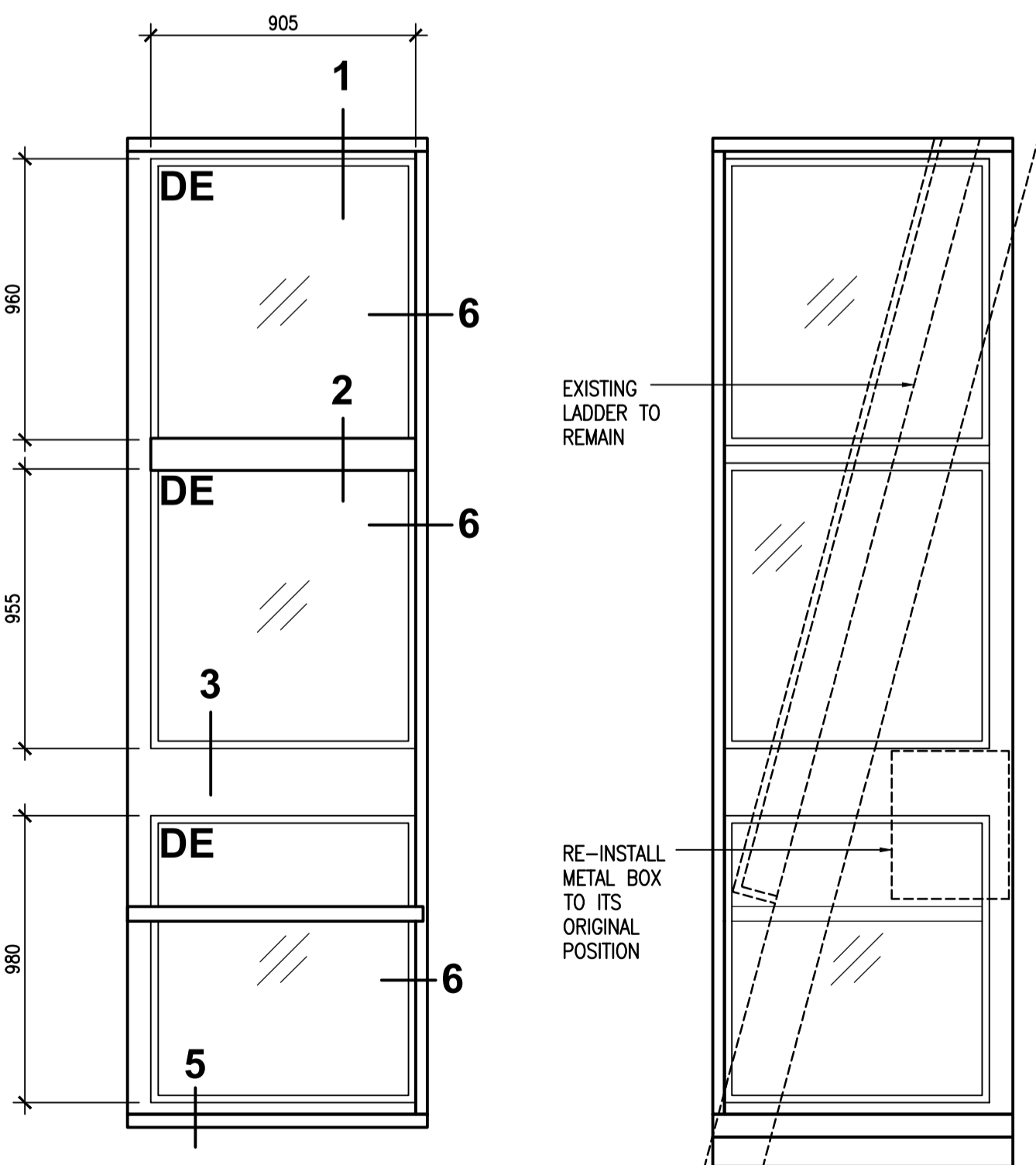
Drawing title/Titre du dessin

**NEW PLANS,
ELEVATIONS,
AND DETAILS**

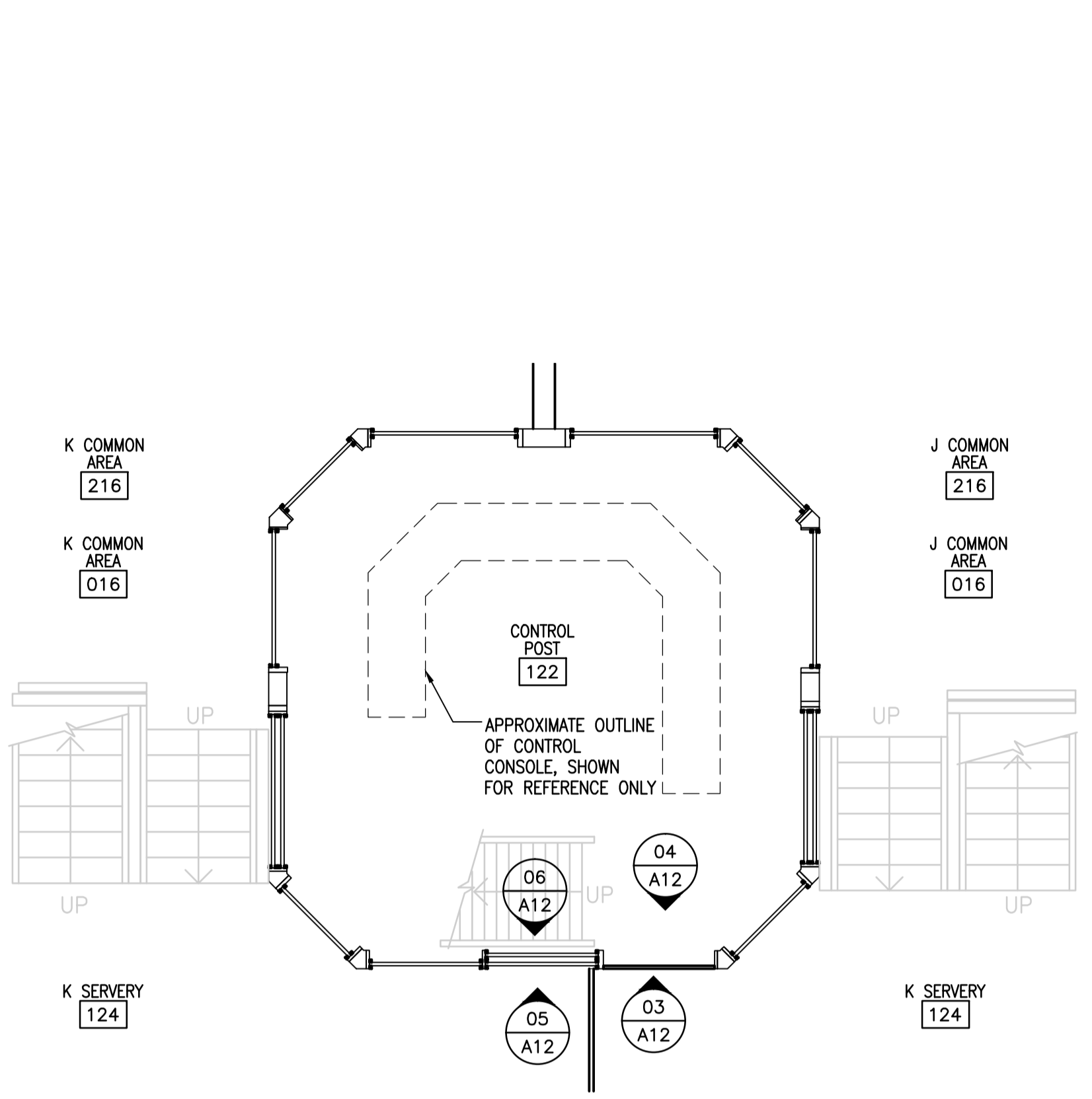
Project No./No. du projet R. 082441.001	Sheet/Feuille A13 OF 18	Revision no./ La Révision no. 2
---	--------------------------------------	--



03 ATTACK SIDE
A13 1 : 20



04 GUARD SIDE
A13 1 : 20



01 KEY PLAN
A13 N.T.S.

PROJECT CRITERIA

CONTROL POST TYPE: OBSERVATION CONTROL POST
GLAZING: GLAZING SHALL MEET THE EQUIVALENT H.P. WHITE RATING OF LEVEL C BALLISTICS AND LEVEL III FORCED ENTRY OR CLASS / LEVEL HG4 BALLISTICS (TABLE 1) AND CLASS IV FORCED ENTRY (TABLE 2, SEQUENCE 31) IN ASTM F1233-08. 32mm POLYCARBONATE LAMINATED (SP 1250) AS TESTED AND APPROVED BY HP WHITE.

PROJECT SCOPE

1. PREPARE MOCK-UP FOR REVIEW.
2. REPLACE EXISTING GLAZING WITH NEW AS SCHEDULED.
3. REPLACE EXISTING WINDOW STOPS ON GUARD SIDE WITH NEW AS DETAILED.
4. REUSE EXISTING GUN PORTS, LOCATIONS TO MATCH EXISTING.
5. SUPPLY AND INSTALL NEW FASTENERS FOR GUN PORTS, SIZE AND TYPE TO MATCH EXISTING.
6. REPLACE EXISTING DOOR GLAZING WITH NEW AS SCHEDULED. * IMPORTANT: GLAZING REMOVAL AND INSTALLATION MUST BE COMPLETED SIMULTANEOUSLY FOR EACH PANE
7. DISCARD EXISTING GLAZING AND GUARD-SIDE STOPS.
8. PAINT NEW WINDOW STOPS WITH RUST-RESISTANT GRAY PRIMER.
9. FINAL PAINT FINISH BY OTHERS.

TYPE	PANE	DESCRIPTION
D	SINGLE PANE	32mm POLYCARBONATE LAMINATED GLAZING, WITH ABRASION RESISTANCE TREATMENT ON BOTH SIDES
E	SINGLE PANE	6mm TEMPERED GLASS (SACRIFICIAL LAYER)
F	SINGLE PANE	6mm POLYCARBONATE (GUN PORT REDUCER PANEL), WITH ABRASION RESISTANCE TREATMENT ON BOTH SIDES

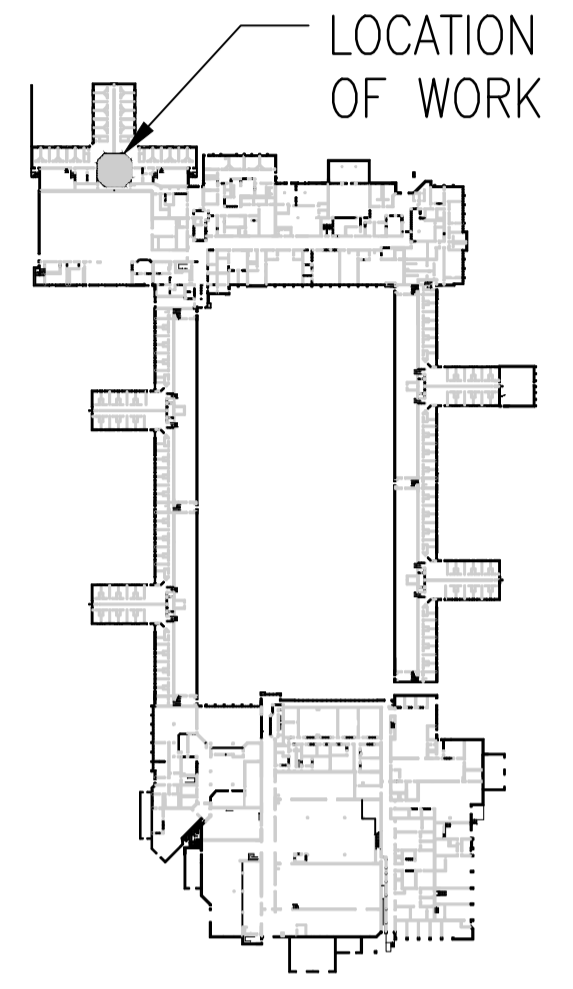
02 PROJECT NOTES
A13 N.T.S.

CONTRACTOR MAY INSTALL THESE NEW GLAZING AND STOPS FROM THE ATTACK SIDE.

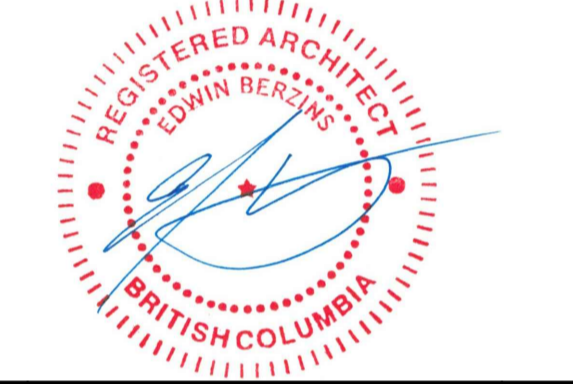
05 ATTACK SIDE
A13 1 : 20

06 GUARD SIDE
A13 1 : 20

07 DETAILS
A13 1 : 5



BUILDING KEY PLAN



2	ISSUED FOR TENDER	2016/12/29
1	ISSUED FOR 99% REVIEW	2016/10/06

Client/client

PUBLIC WORKS AND GOVERNMENT SERVICES CANADA
219 - 800 BARRARD STREET
VANCOUVER, BC V6Z 0B9

Project title/Titre du projet
**AGASSIZ, BC V0M 1A0
4732 CEMETERY ROAD
BUILDING J-K, KENT INSTITUTION**
**KENT SEGREGATION CONTROL POST
GLAZING REPLACEMENT**

Consultant Signature Only

Designed by/Concept par
EDWIN BERZINS

Drawn by/Dessiné par
MING HSU

PWGSC Project Manager/Administrateur de Projets TPWSC
JOSKO DUJMOVIC

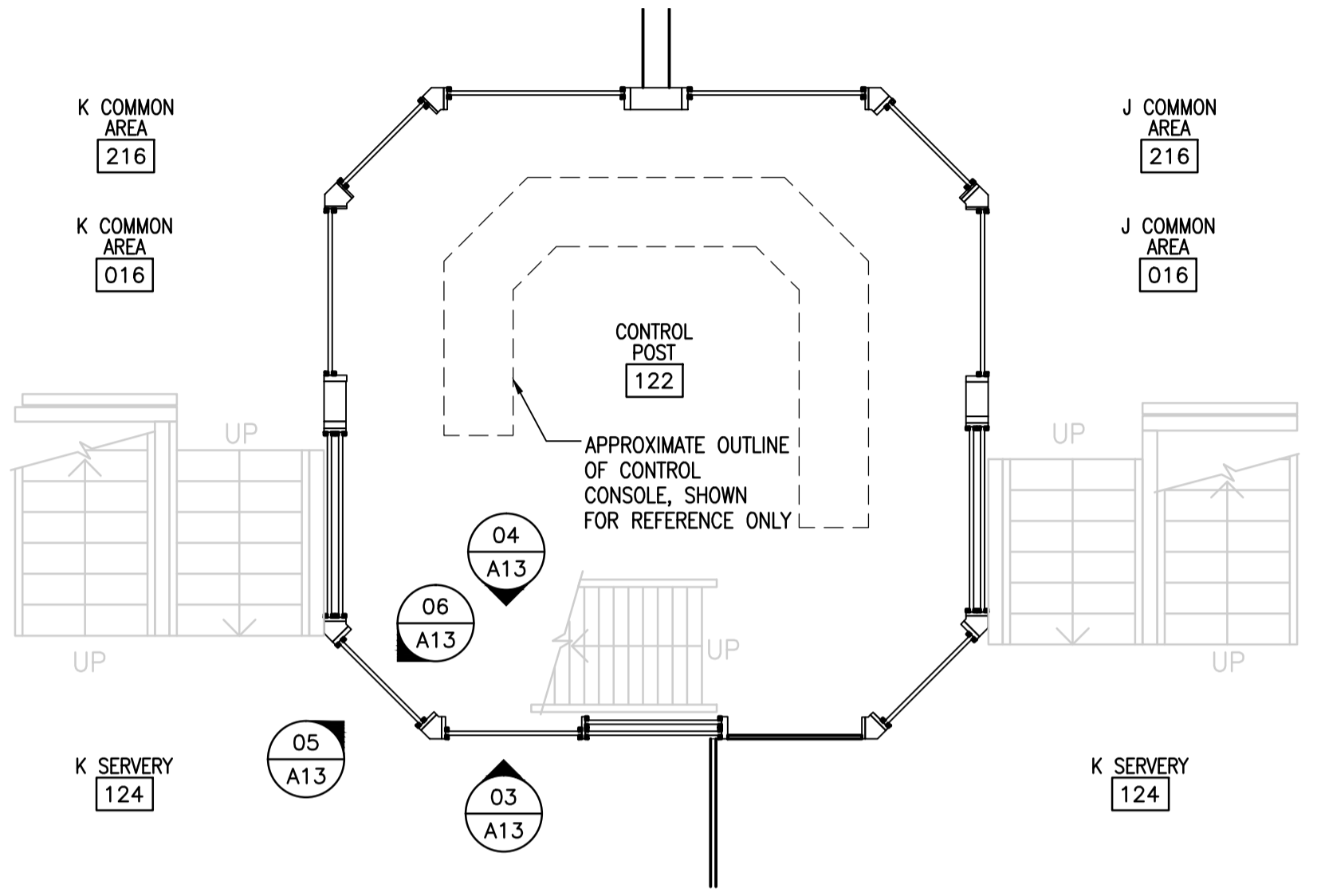
PWGSC, Architectural and Engineering Resources Manager/
Ressources Architectural et de Directeur d'Ingénierie, TPWSC
PREETIPAL PAUL

Client/client
PWGSC

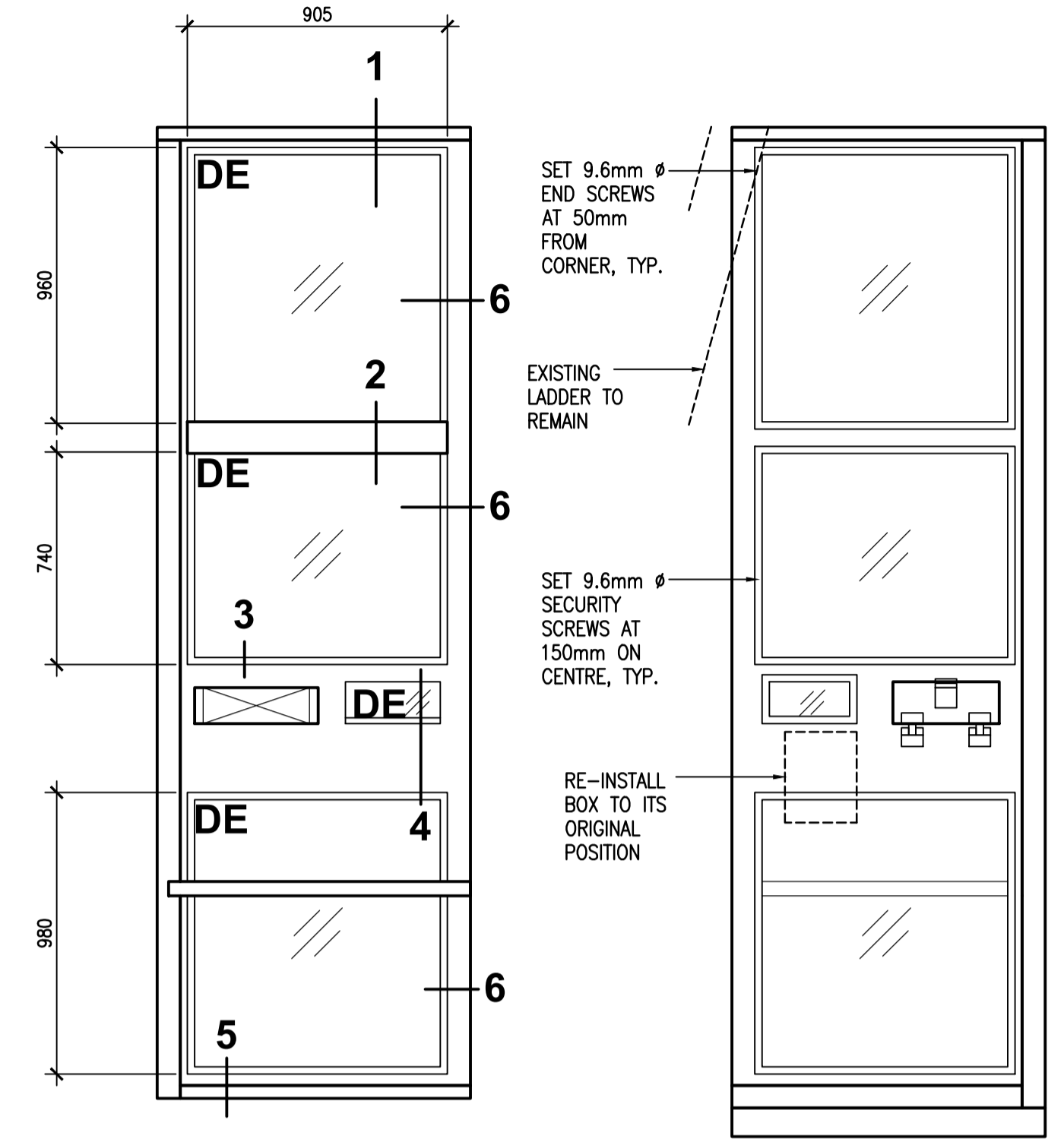
Drawing title/Titre du dessin

NEW PLANS, ELEVATIONS, AND DETAILS

Project No./No. du projet R. 082441.001	Sheet/Feuille A14 OF 18	Revision no./ La Révision no. 2
---	--------------------------------------	--

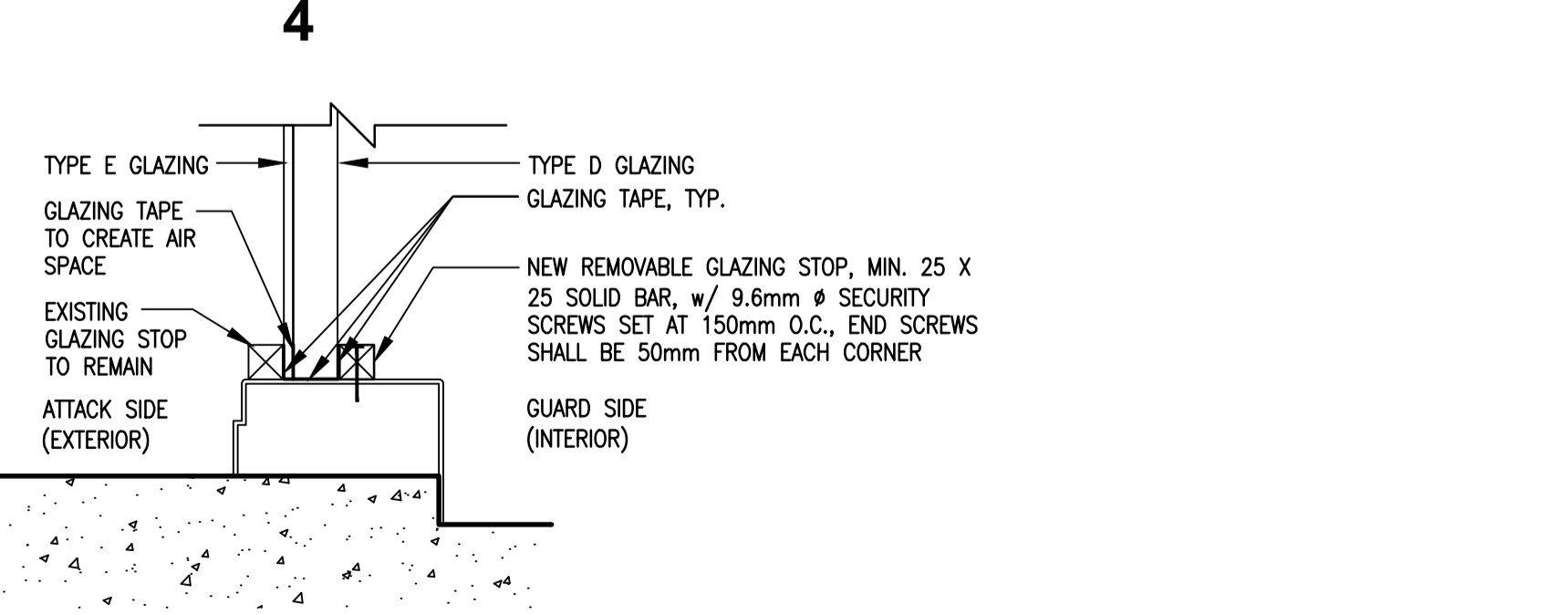
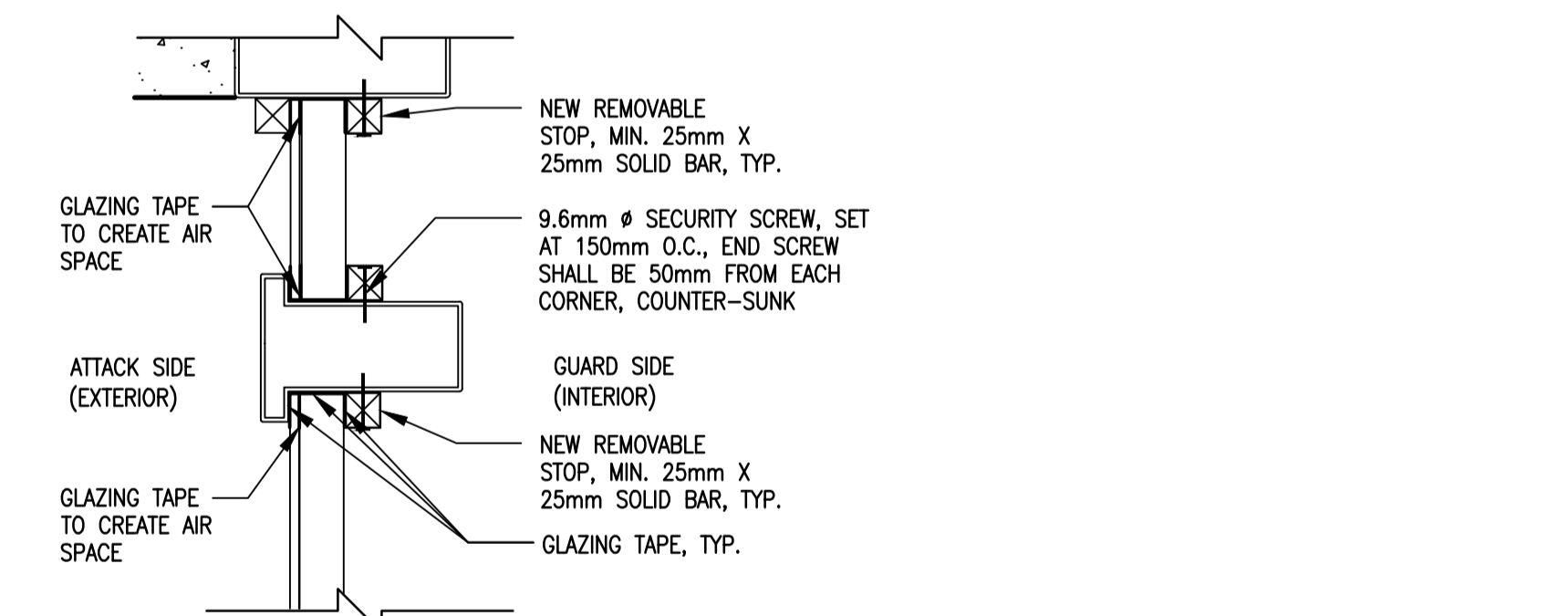
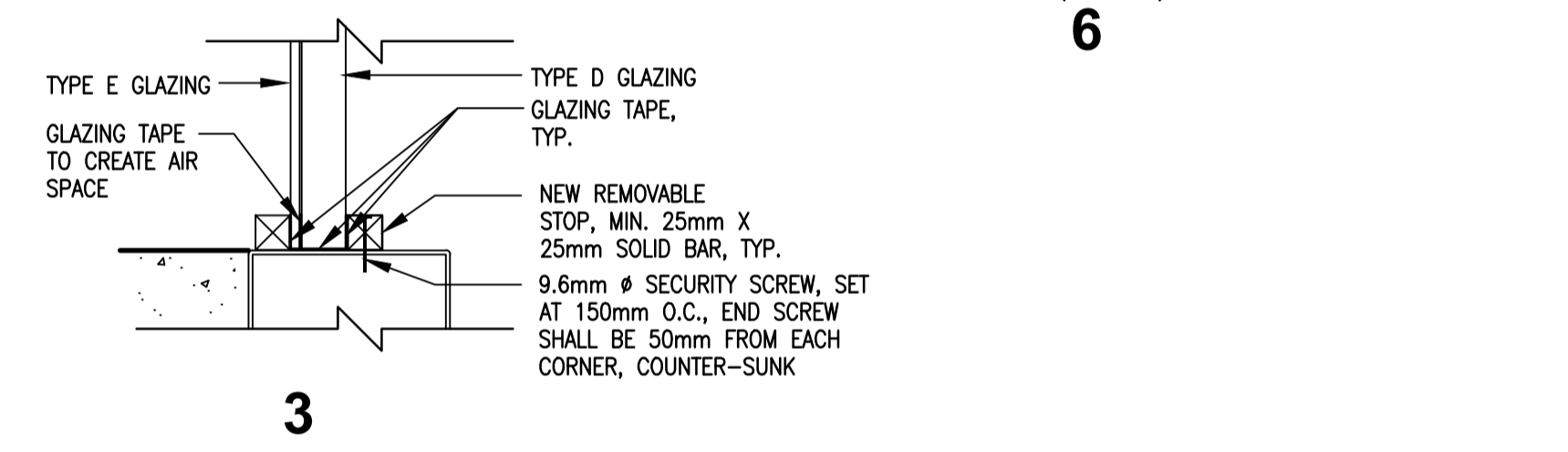
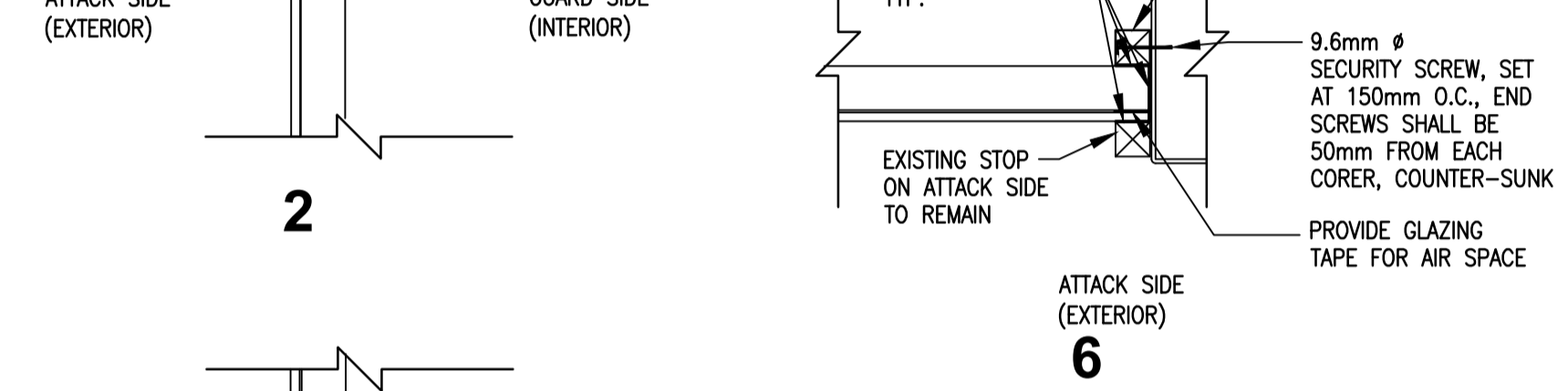
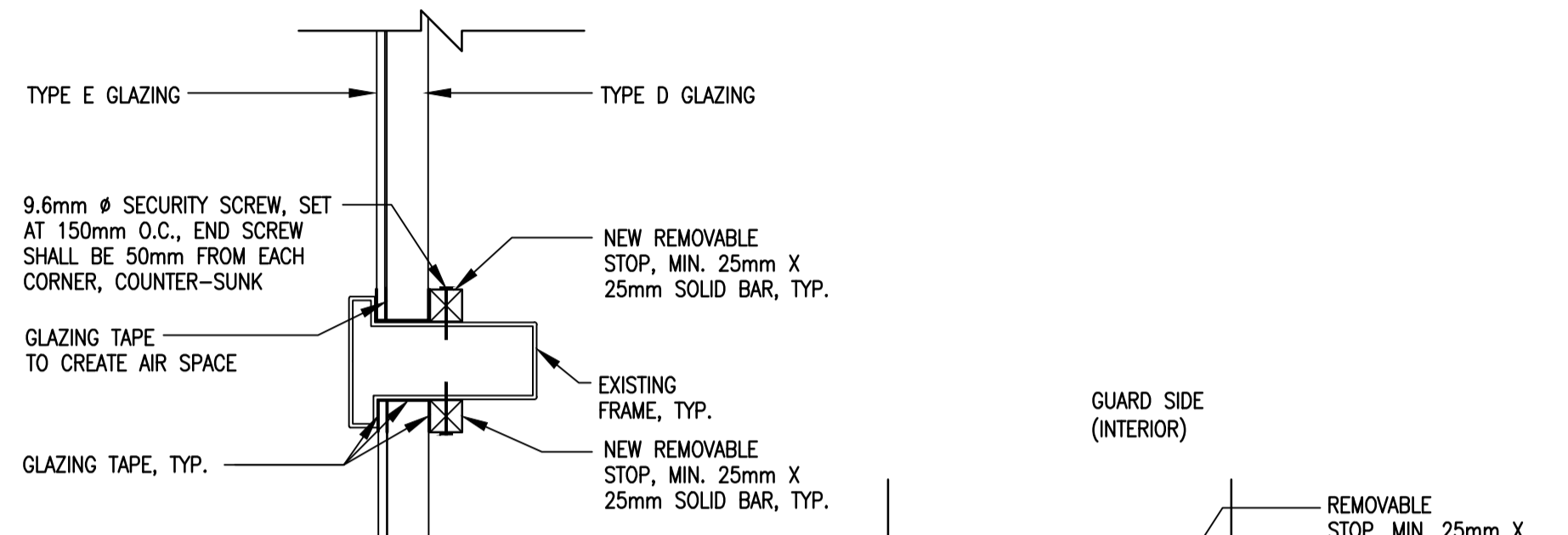
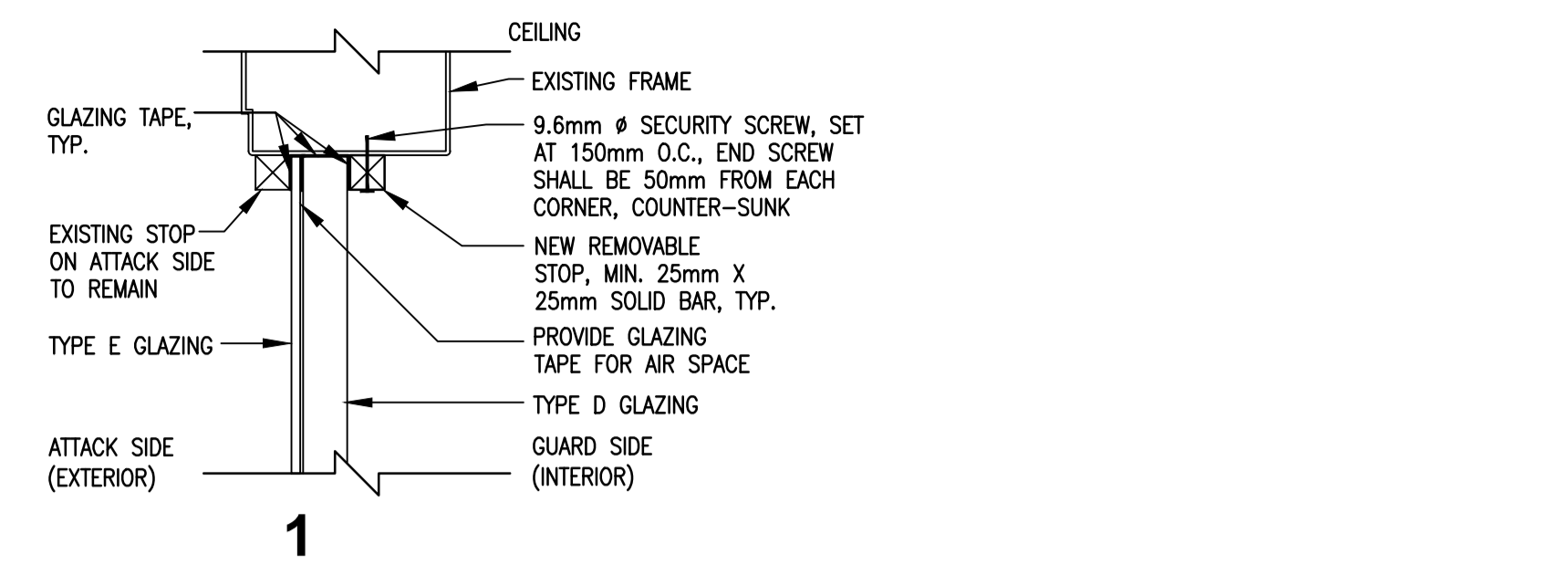


01 KEY PLAN
A14 N.T.S.

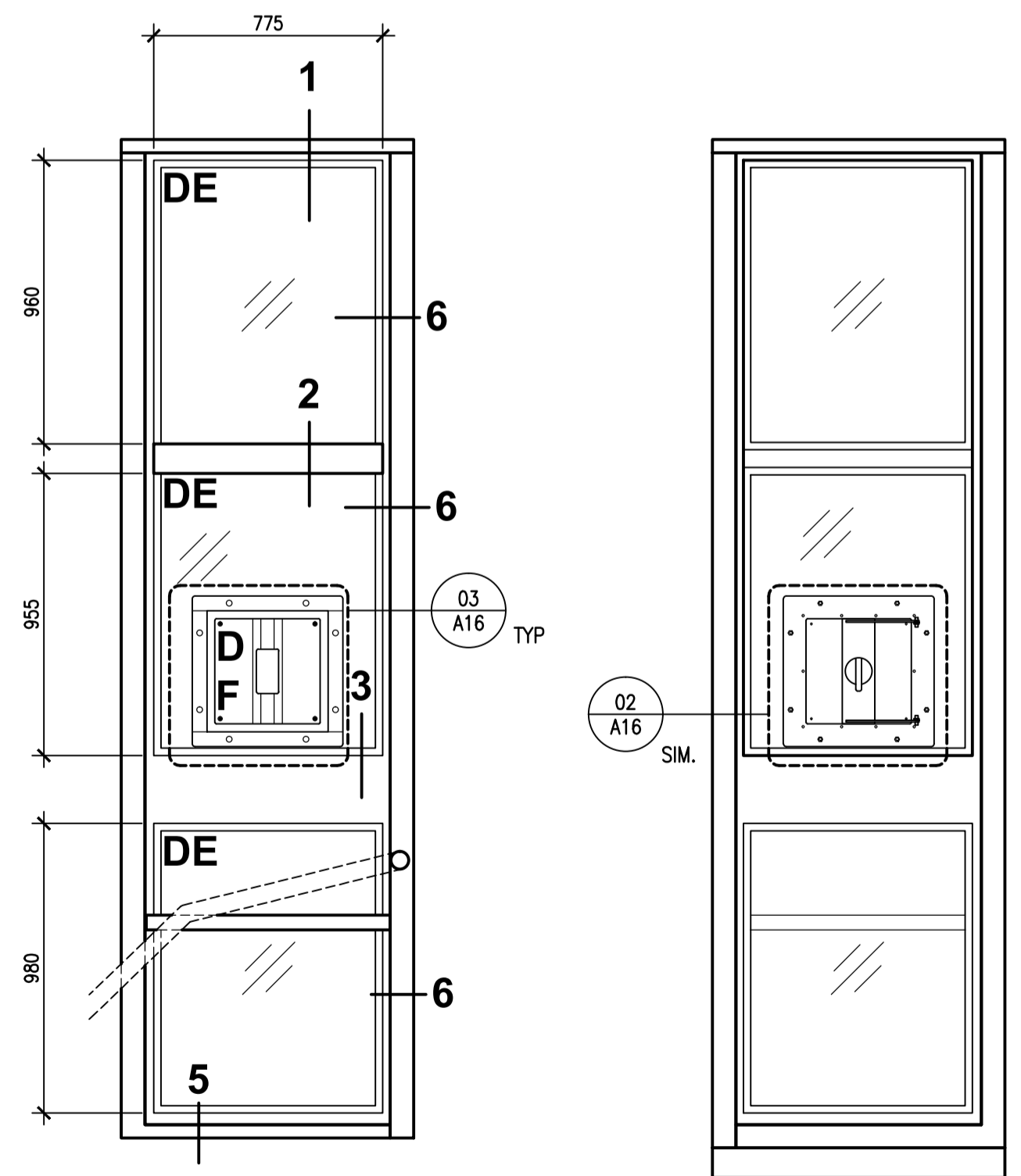


03 ATTACK SIDE
A14 1 : 20

04 GUARD SIDE
A14 1 : 20



07 DETAILS
A14 1 : 5



05 ATTACK SIDE
A14 1 : 20

06 GUARD SIDE
A14 1 : 20

PROJECT CRITERIA

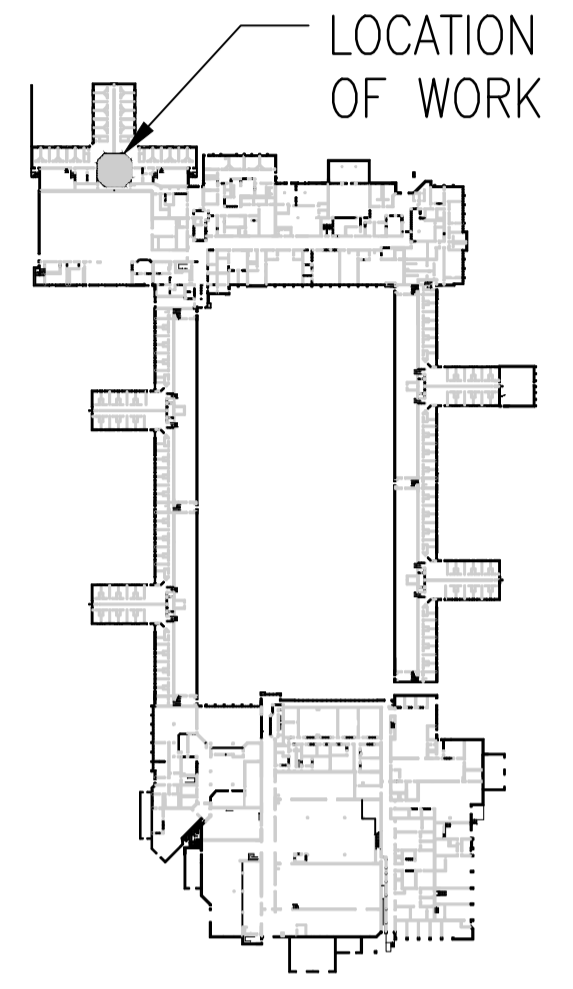
CONTROL POST TYPE: OBSERVATION CONTROL POST
GLAZING: GLAZING SHALL MEET THE EQUIVALENT H.P. WHITE RATING OF LEVEL C BALLISTICS AND LEVEL III FORCED ENTRY OR CLASS / LEVEL HG4 BALLISTICS (TABLE 1) AND CLASS IV FORCED ENTRY (TABLE 2, SEQUENCE 31) IN ASTM F1233-08. 32mm POLYCARBONATE LAMINATED (SP 1250) AS TESTED AND APPROVED BY HP WHITE.

PROJECT SCOPE

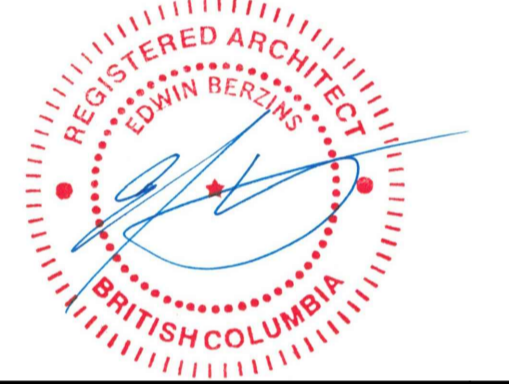
1. PREPARE MOCK-UP FOR REVIEW.
2. REPLACE EXISTING GLAZING WITH NEW AS SCHEDULED.
3. REPLACE EXISTING WINDOW STOPS ON GUARD SIDE WITH NEW AS DETAILED.
4. REUSE EXISTING GUN PORTS, LOCATIONS TO MATCH EXISTING.
5. SUPPLY AND INSTALL NEW FASTENERS FOR GUN PORTS, SIZE AND TYPE TO MATCH EXISTING.
6. REPLACE EXISTING DOOR GLAZING WITH NEW AS SCHEDULED. * IMPORTANT: GLAZING REMOVAL AND INSTALLATION MUST BE COMPLETED SIMULTANEOUSLY FOR EACH PANE
7. DISCARD EXISTING GLAZING AND GUARD-SIDE STOPS.
8. PAINT NEW WINDOW STOPS WITH RUST-RESISTANT GRAY PRIMER.
9. FINAL PAINT FINISH BY OTHERS.

TYPE	PANE	DESCRIPTION
D	SINGLE PANE	32mm POLYCARBONATE LAMINATED GLAZING, WITH ABRASION RESISTANCE TREATMENT ON BOTH SIDES
E	SINGLE PANE	6mm TEMPERED GLASS (SACRIFICIAL LAYER)
F	SINGLE PANE	6mm POLYCARBONATE (GUN PORT REDUCER PANEL), WITH ABRASION RESISTANCE TREATMENT ON BOTH SIDES

02 PROJECT NOTES
A14 N.T.S.



BUILDING KEY PLAN



Revision/	Description/Description	Date/Date
2	ISSUED FOR TENDER	2016/12/29
1	ISSUED FOR 99% REVIEW	2016/10/06

Client/client

PUBLIC WORKS AND GOVERNMENT SERVICES CANADA

219 - 800 BARRARD STREET
VANCOUVER, BC V6Z 0B9

Project title/Titre du projet
**AGASSIZ, BC V0M 1A0
4732 CEMETERY ROAD
BUILDING J-K, KENT INSTITUTION
KENT SEGREGATION CONTROL POST
GLAZING REPLACEMENT**

Consultant Signature Only

Designed by/Concept par
EDWIN BERZINS

Drawn by/Dessiné par
MING HSU

PWGSC Project Manager/Administrateur de Projets TPSGC
JOSKO DUJMOVIC

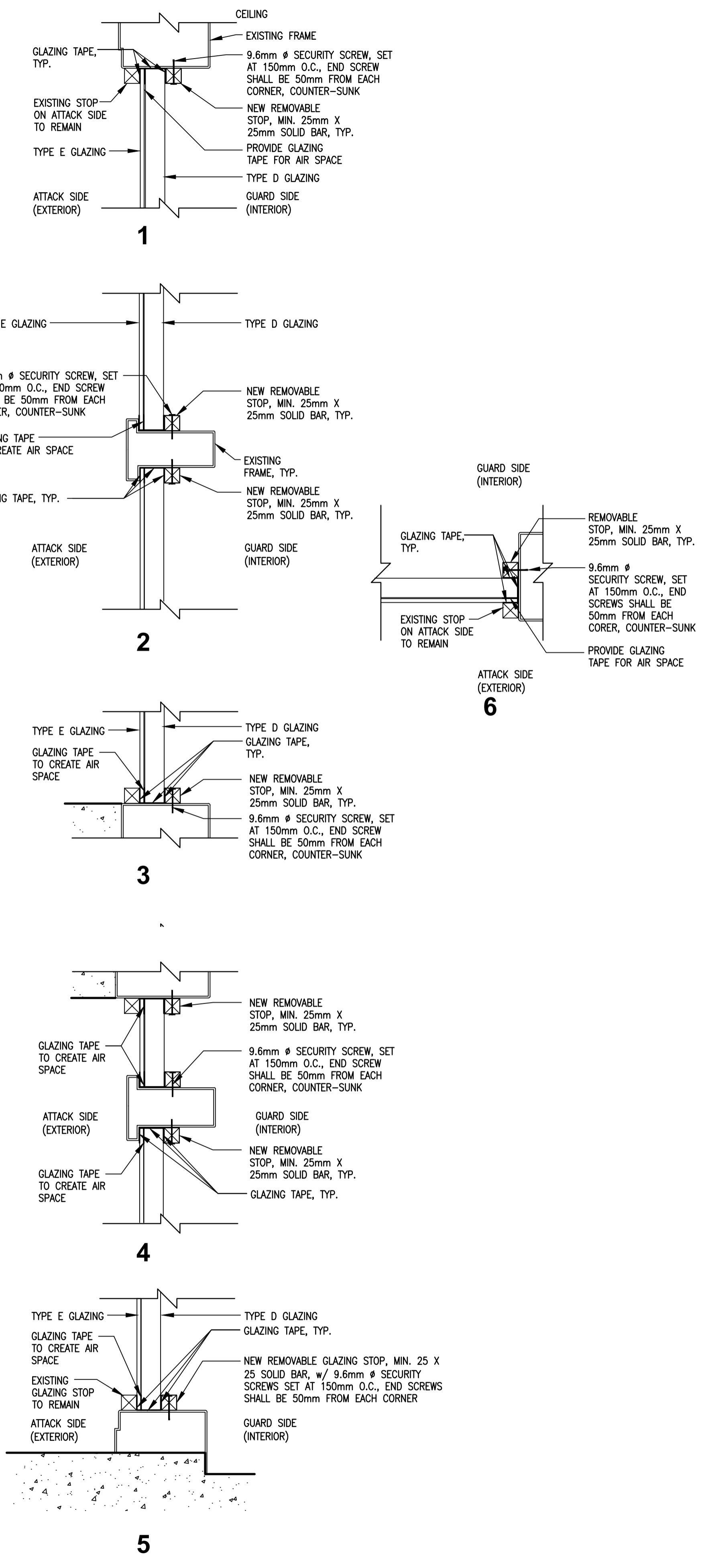
PWGSC, Architectural and Engineering Resources Manager/
Ressources Architectural et de Directeur d'Ingénierie, TPSGC
PREETIPAL PAUL

Client/client
PWGSC

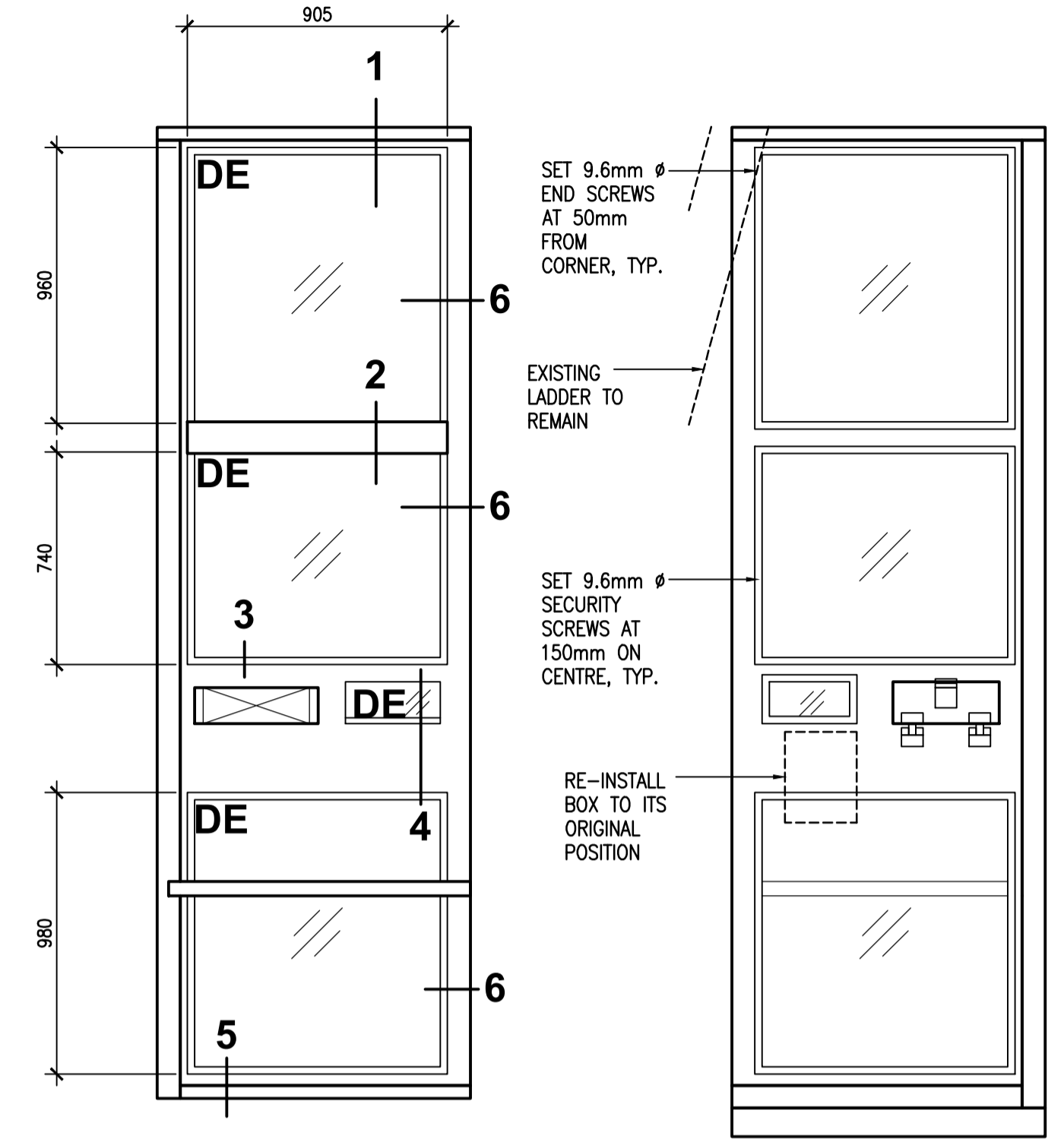
Drawing title/Titre du dessin

NEW PLANS, ELEVATIONS, AND DETAILS

Project No./No. du projet	Sheet/Feuille	Revision no./La Révision no.
R. 082441.001	A15 OF 18	2

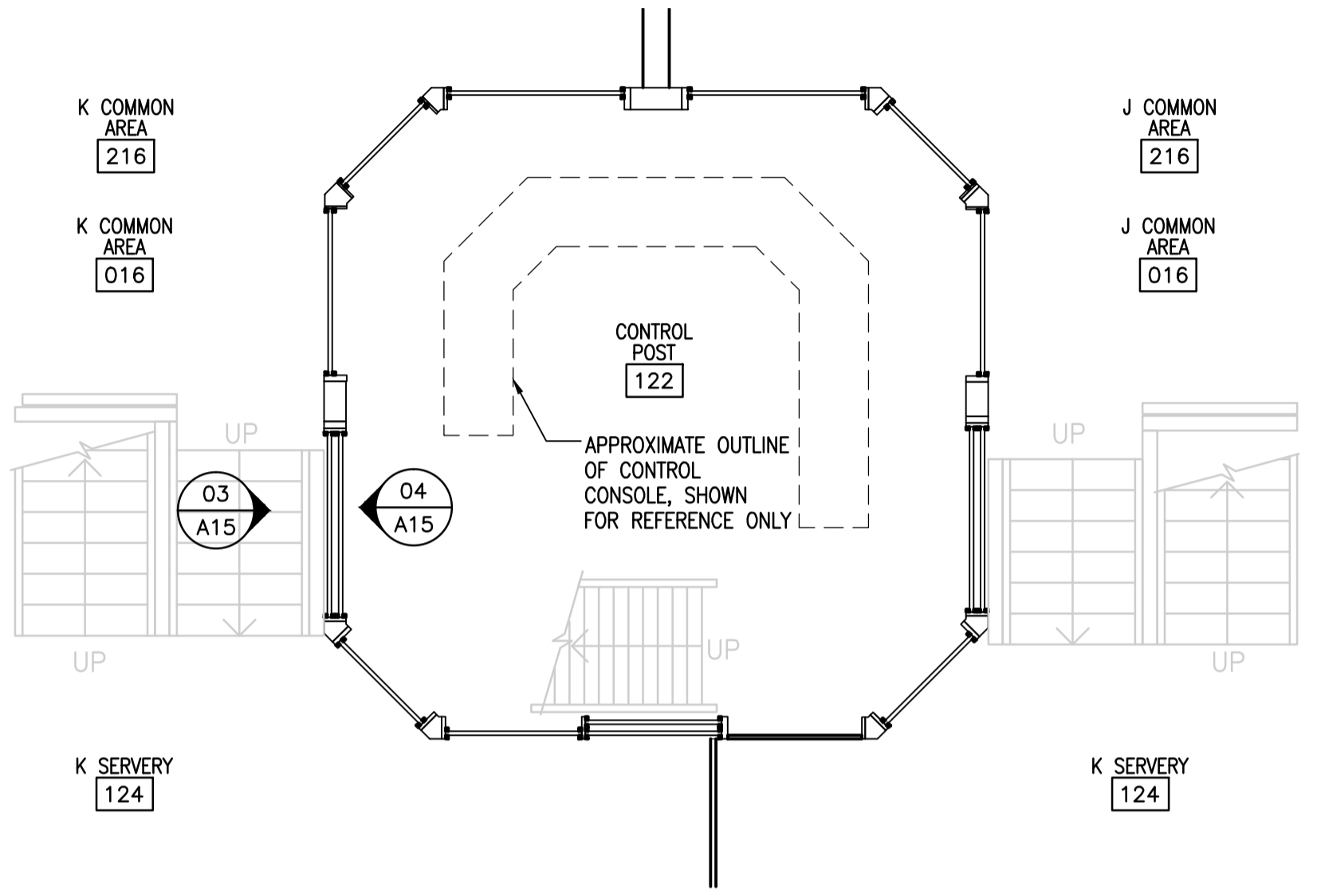


05 DETAILS
A15 1 : 5



03 ATTACK SIDE
A15 1 : 20

04 GUARD SIDE
A15 1 : 20



01 KEY PLAN
A15 N.T.S.

PROJECT CRITERIA

CONTROL POST TYPE: OBSERVATION CONTROL POST
GLAZING: GLAZING SHALL MEET THE EQUIVALENT H.P. WHITE RATING OF LEVEL C BALLISTICS AND LEVEL III FORCED ENTRY OR CLASS / LEVEL HG4 BALLISTICS (TABLE 1) AND CLASS IV FORCED ENTRY (TABLE 2, SEQUENCE 31) IN ASTM F1233-08. 32mm POLYCARBONATE LAMINATED (SP 1250) AS TESTED AND APPROVED BY HP WHITE.

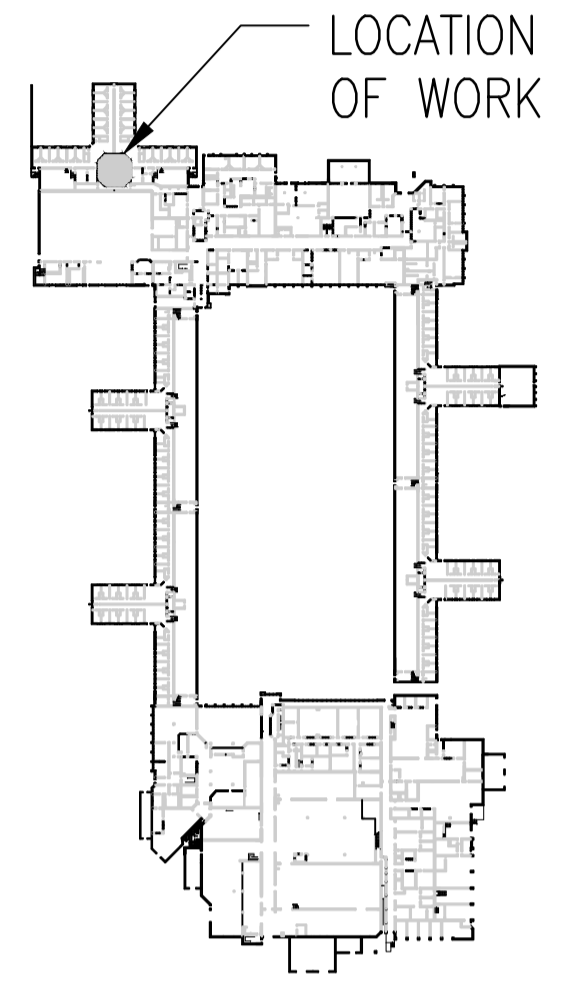
PROJECT SCOPE

1. PREPARE MOCK-UP FOR REVIEW.
2. REPLACE EXISTING GLAZING WITH NEW AS SCHEDULED.
3. REPLACE EXISTING WINDOW STOPS ON GUARD SIDE WITH NEW AS DETAILED.
4. REUSE EXISTING GUN PORTS, LOCATIONS TO MATCH EXISTING.
5. SUPPLY AND INSTALL NEW FASTENERS FOR GUN PORTS, SIZE AND TYPE TO MATCH EXISTING.
6. REPLACE EXISTING DOOR GLAZING WITH NEW AS SCHEDULED. * IMPORTANT: GLAZING REMOVAL AND INSTALLATION MUST BE COMPLETED SIMULTANEOUSLY FOR EACH PANE
7. DISCARD EXISTING GLAZING AND GUARD-SIDE STOPS.
8. PAINT NEW WINDOW STOPS WITH RUST-RESISTANT GRAY PRIMER.
9. FINAL PAINT FINISH BY OTHERS.

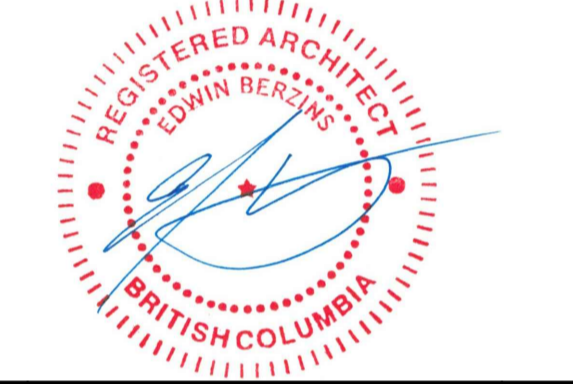
NEW GLAZING SCHEDULE

TYPE	PANE	DESCRIPTION
D	SINGLE PANE	32mm POLYCARBONATE LAMINATED GLAZING, WITH ABRASION RESISTANCE TREATMENT ON BOTH SIDES
E	SINGLE PANE	6mm TEMPERED GLASS (SACRIFICIAL LAYER)
F	SINGLE PANE	6mm POLYCARBONATE (GUN PORT REDUCER PANEL), WITH ABRASION RESISTANCE TREATMENT ON BOTH SIDES

02 PROJECT NOTES
A15 N.T.S.



BUILDING KEY PLAN



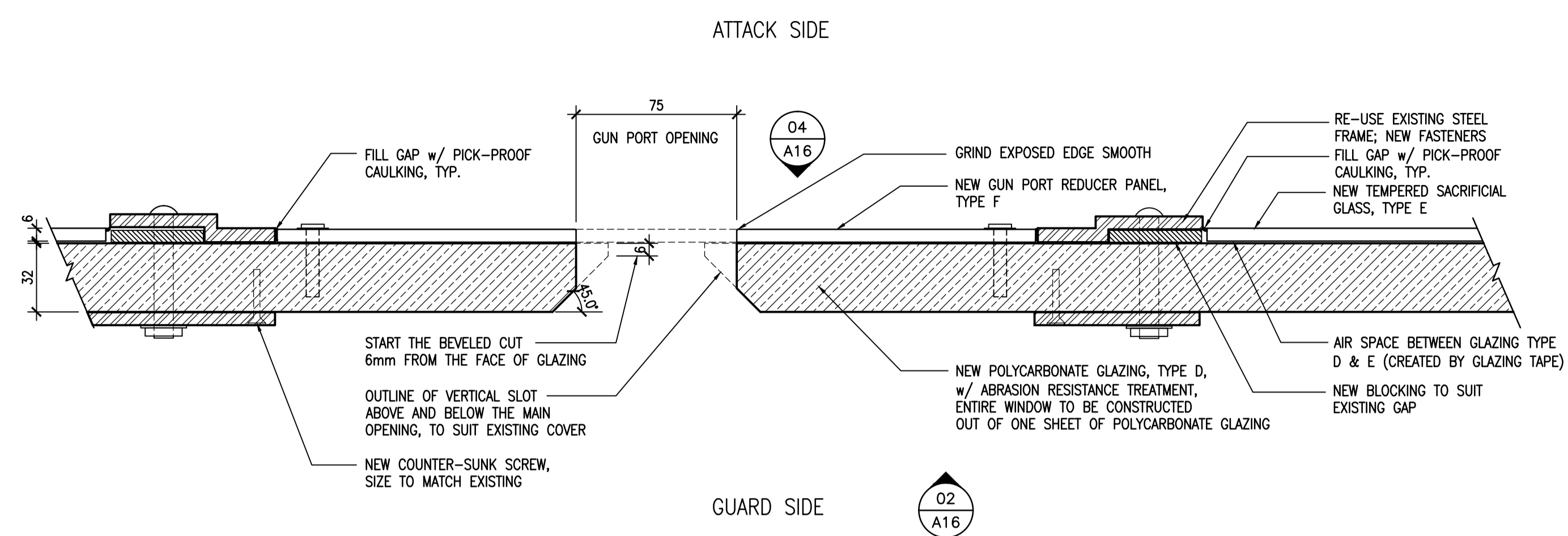
Revision/	Description/Description	Date/Date
2	ISSUED FOR TENDER	2016/12/29
1	ISSUED FOR 99% REVIEW	2016/10/06

Client/client
PUBLIC WORKS AND GOVERNMENT SERVICES CANADA
219 - 800 BARRARD STREET
VANCOUVER, BC V6Z 0B9

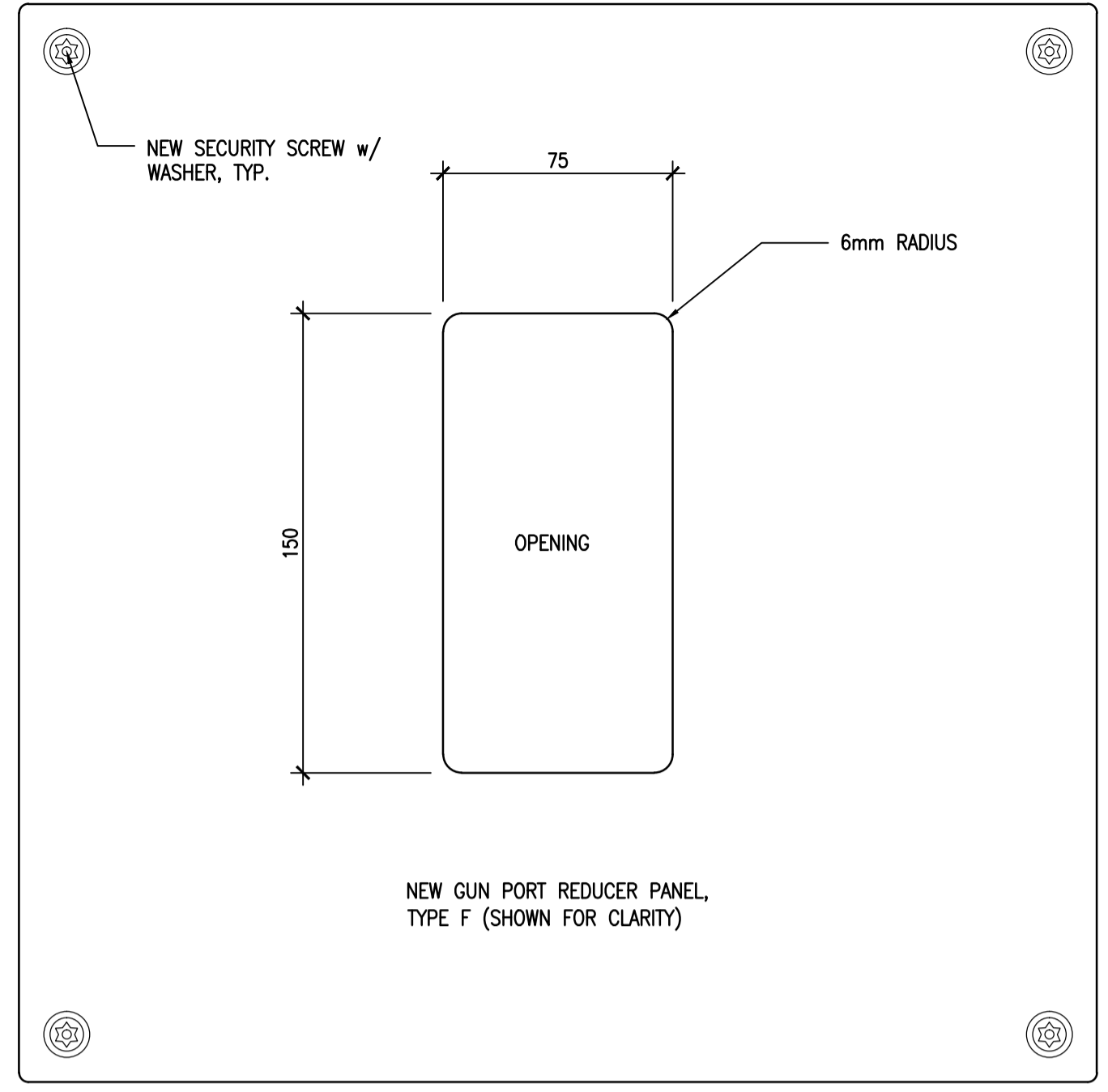
Project title/Titre du projet
AGASSIZ, BC V0M 1A0
4732 CEMETERY ROAD
BUILDING J-K, KENT INSTITUTION
**KENT SEGREGATION CONTROL POST
GLAZING REPLACEMENT**

Consultant Signature Only
Designed by/Concept par
EDWIN BERZINS
Drawn by/Dessiné par
MING HSU
PWGSC Project Manager/Administrateur de Projets TPSGC
JOSKO DUJMOVIC
PWGSC, Architectural and Engineering Resources Manager/
Ressources Architectural et de Directeur d'Ingénierie, TPSGC
PREETIPAL PAUL
Client/client
PWGSC
Drawing title/Titre du dessin

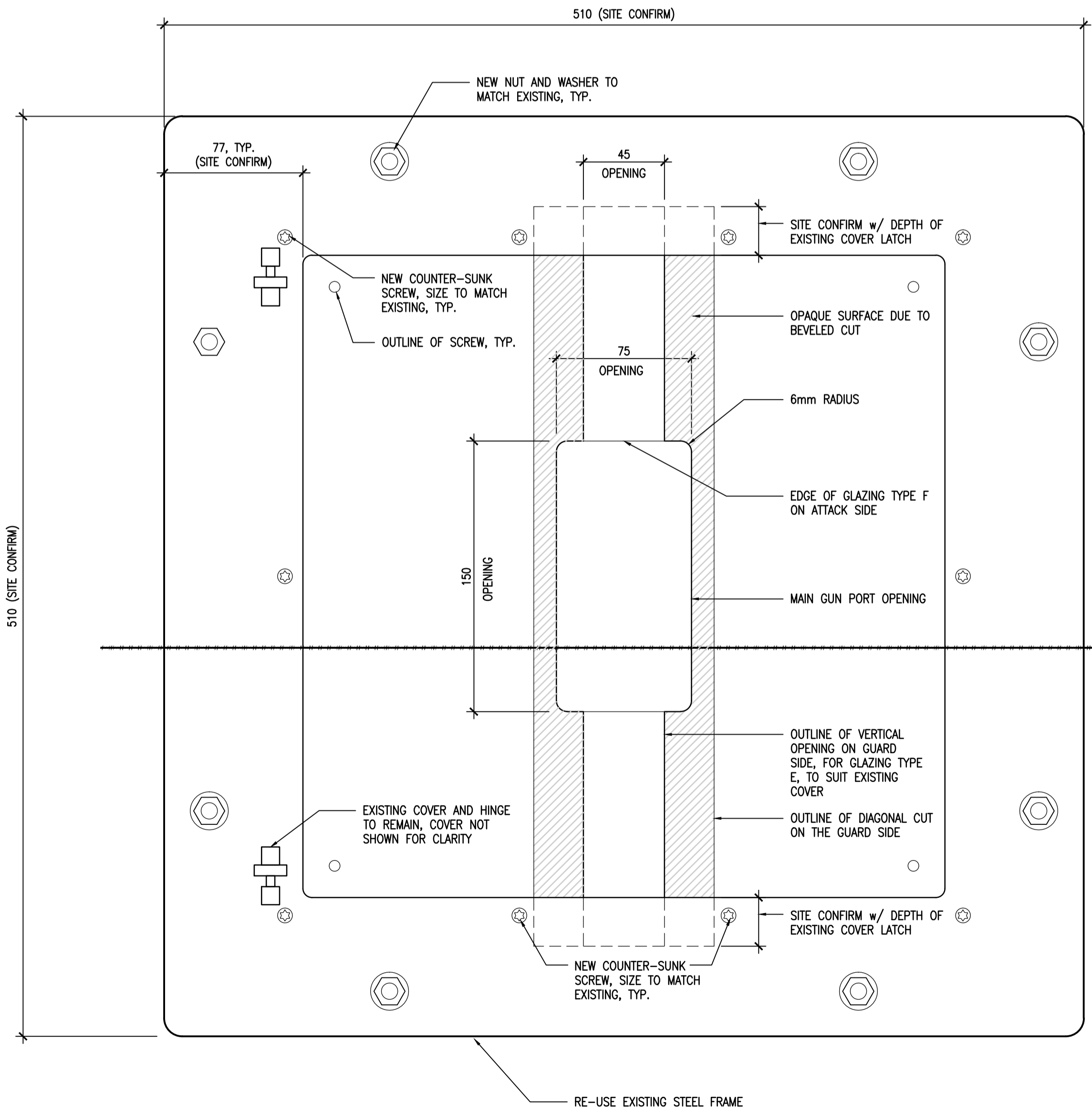
GUN PORT DETAILS		
Project No./No. du projet R. 082441.001	Sheet/Feuille A16 OF 18	Revision no./ La Révision no. 2



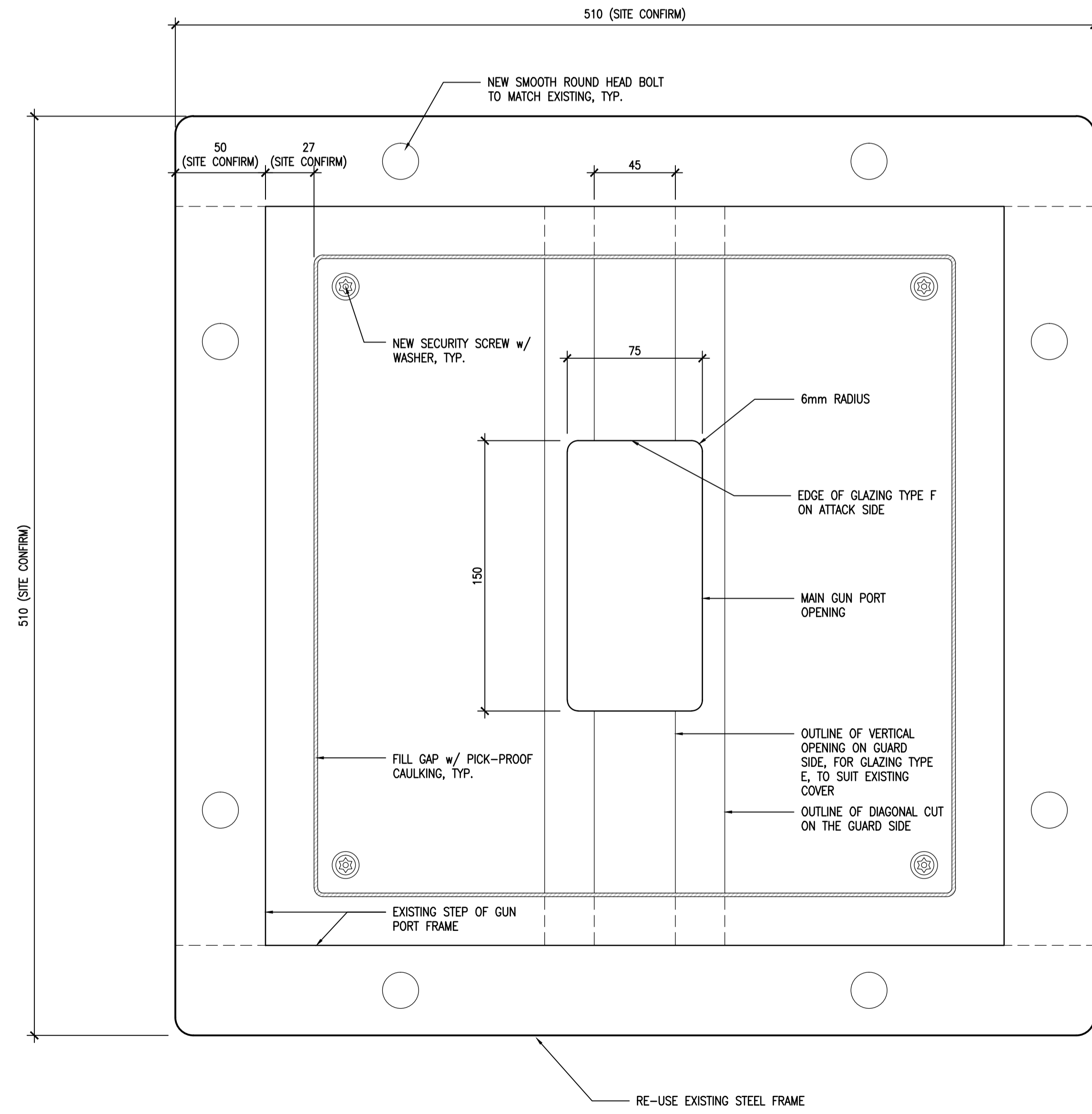
01 SECTION / PLAN
A16 1 : 2



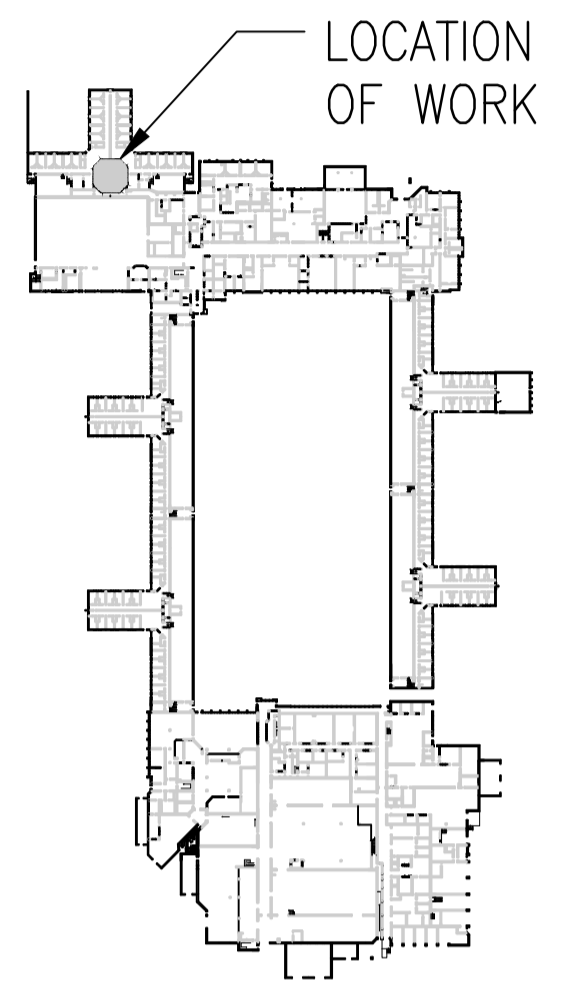
03 ELEVATION, TYPE F GLAZING
A16 1 : 2



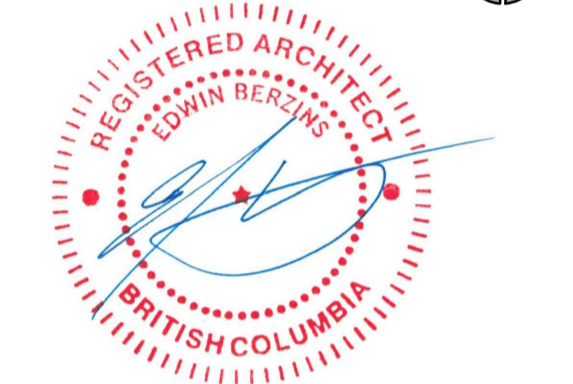
02 ELEVATION, GUARD SIDE
A16 1 : 2



04 ELEVATION, ATTACK SIDE
A16 1 : 2



BUILDING KEY PLAN



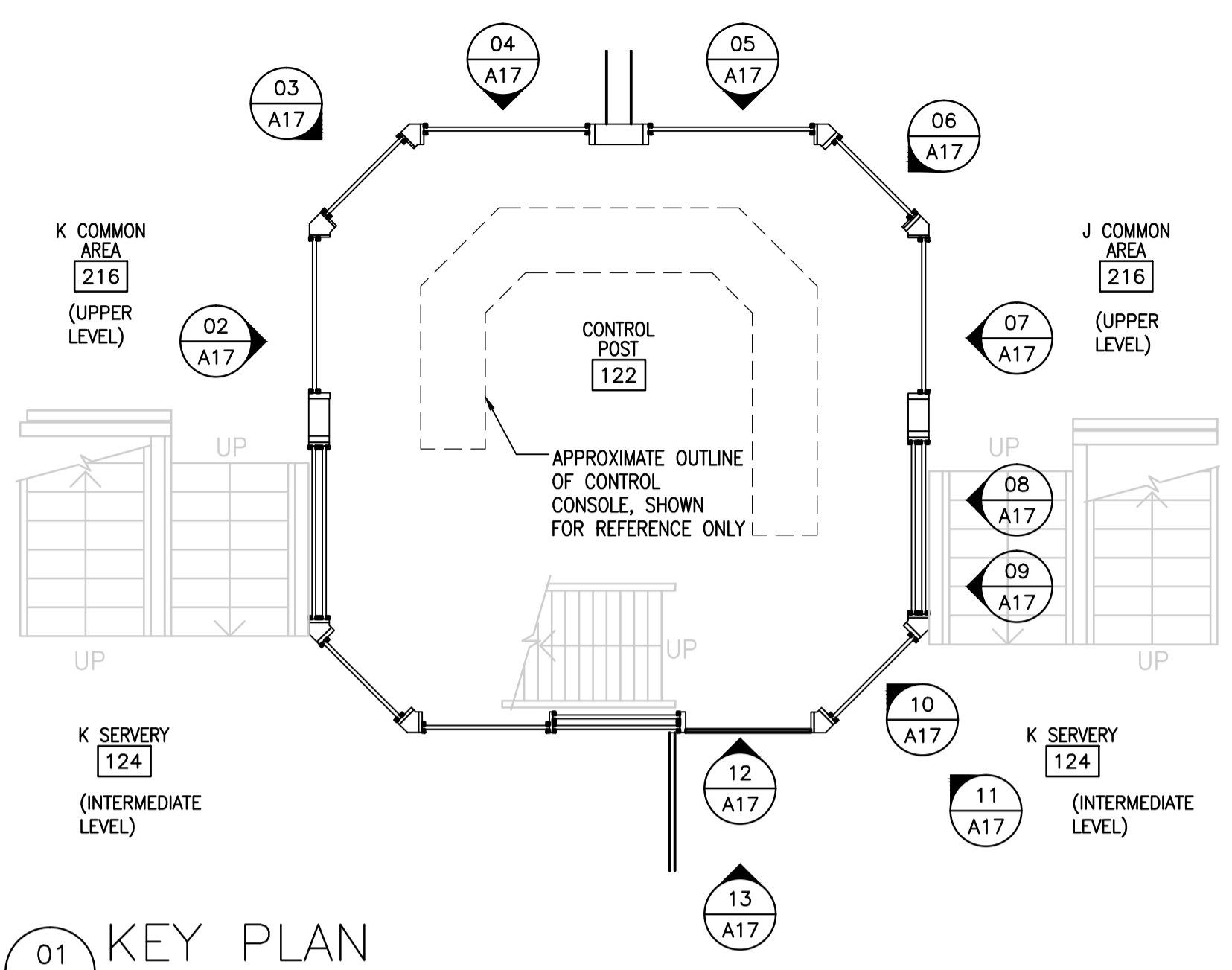
Revision/	Description/Description	Date/Date
2	ISSUED FOR TENDER	2016/12/23
1	ISSUED FOR 99% REVIEW	2016/10/06

Client/client
PUBLIC WORKS AND GOVERNMENT SERVICES CANADA
219 - 800 BURRARD STREET
VANCOUVER, BC V6Z 0B9

Project title/Titre du projet
**AGASSIZ, BC V0M 1A0
4732 CEMETERY ROAD
BUILDING J-K, KENT INSTITUTION**
**KENT SEGREGATION CONTROL POST
GLAZING REPLACEMENT**

Consultant Signature Only
Designed by/Concept par
EDWIN BERZINS
Drawn by/Dessine par
MING HSU
PWGSC Project Manager/Administrateur de Projets TPSCG
JOSKO DUJMOVIC
PWGSC, Architectural and Engineering Resources Manager/
Ressources Architectural et de Directeur d'Ingénierie, TPSCG
Client/client
PWGSC
Drawing title/Titre du dessin

Project No./No. du projet	Sheet/Fauille	Revision no./La Révision no.
R. 082441.001	A17 OF 18	1



01 KEY PLAN
A17 N.T.S.



02 PHOTO
A17



03 PHOTO
A17



04 PHOTO
A17



05 PHOTO
A17



06 PHOTO
A17



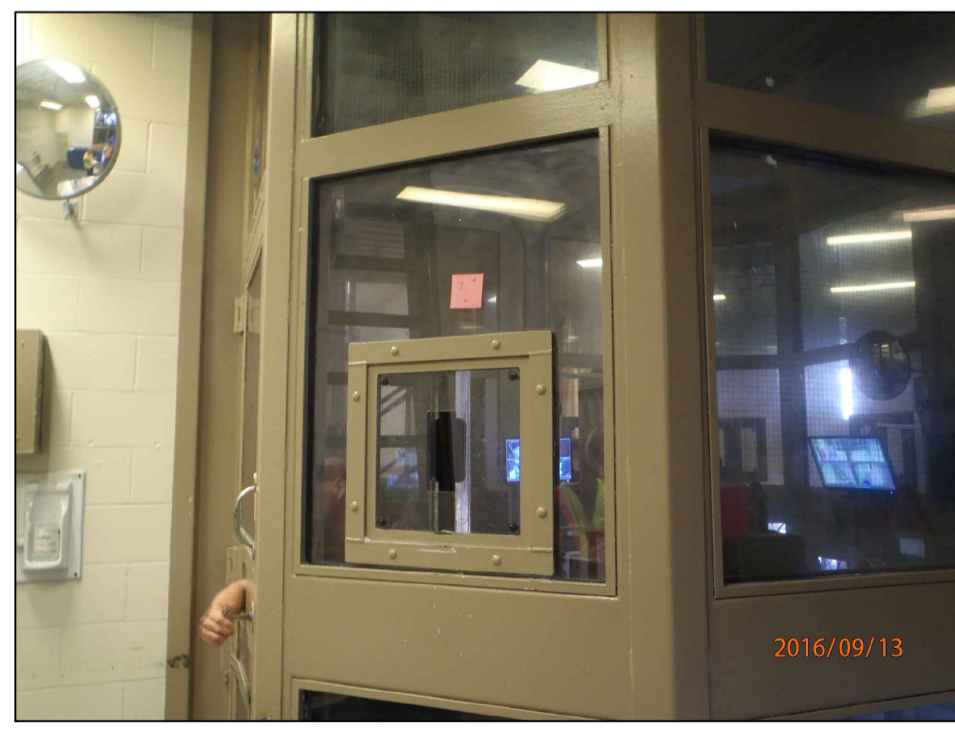
07 PHOTO
A17



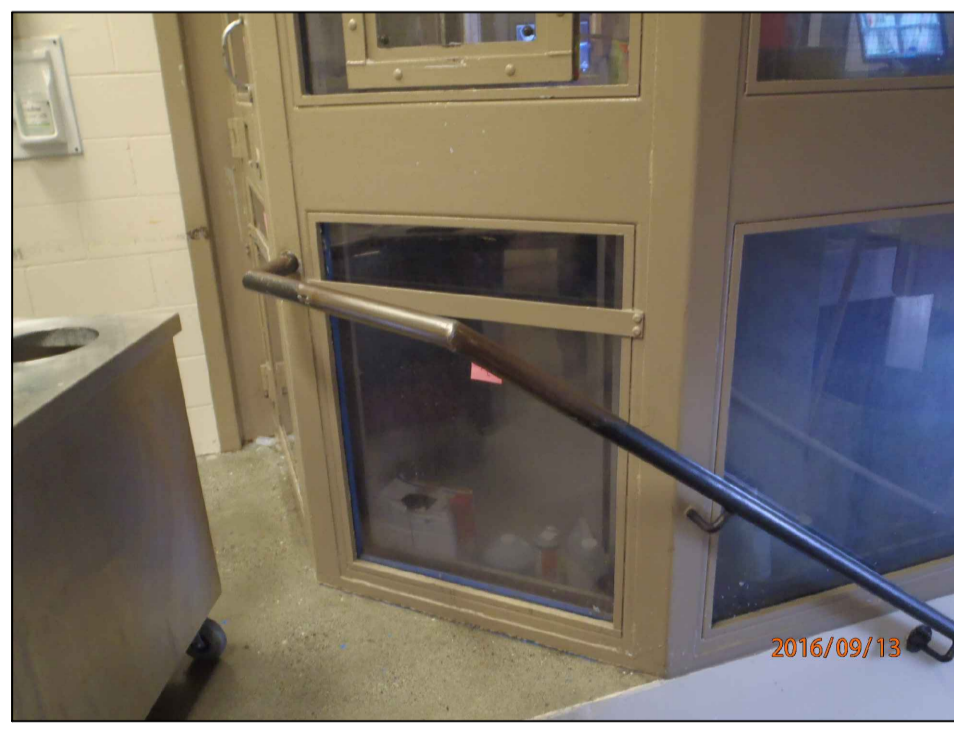
08 PHOTO
A17



09 PHOTO
A17



10 PHOTO
A17



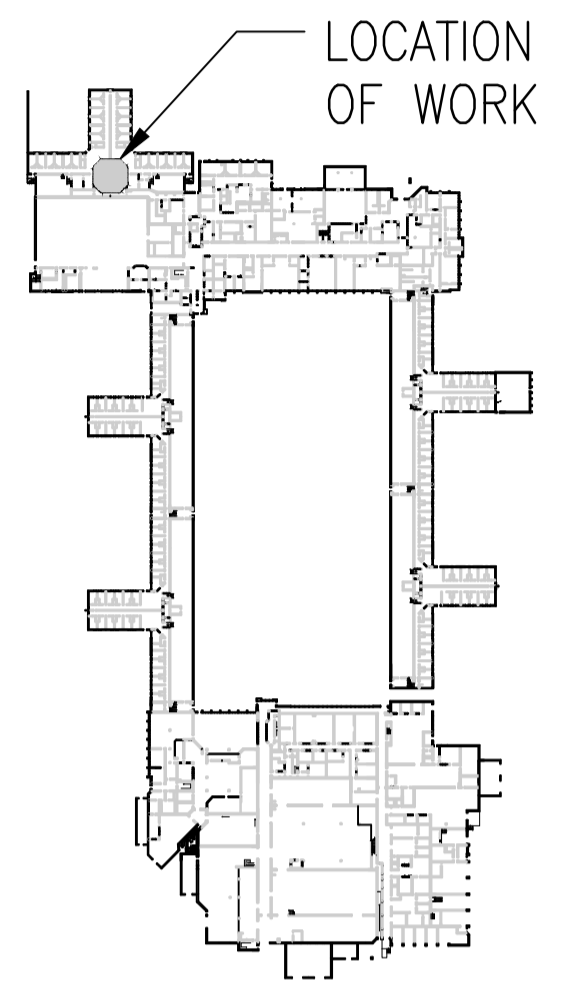
11 PHOTO
A17



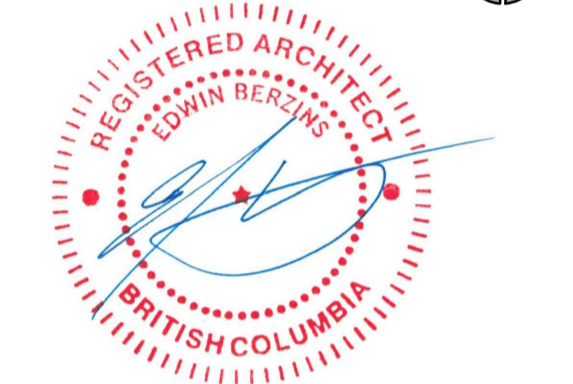
12 PHOTO
A17



13 PHOTO
A17



BUILDING KEY PLAN



Revision/	Description/Description	Date/Date
2	ISSUED FOR TENDER	2016/12/23
1	ISSUED FOR 99% REVIEW	2016/10/06

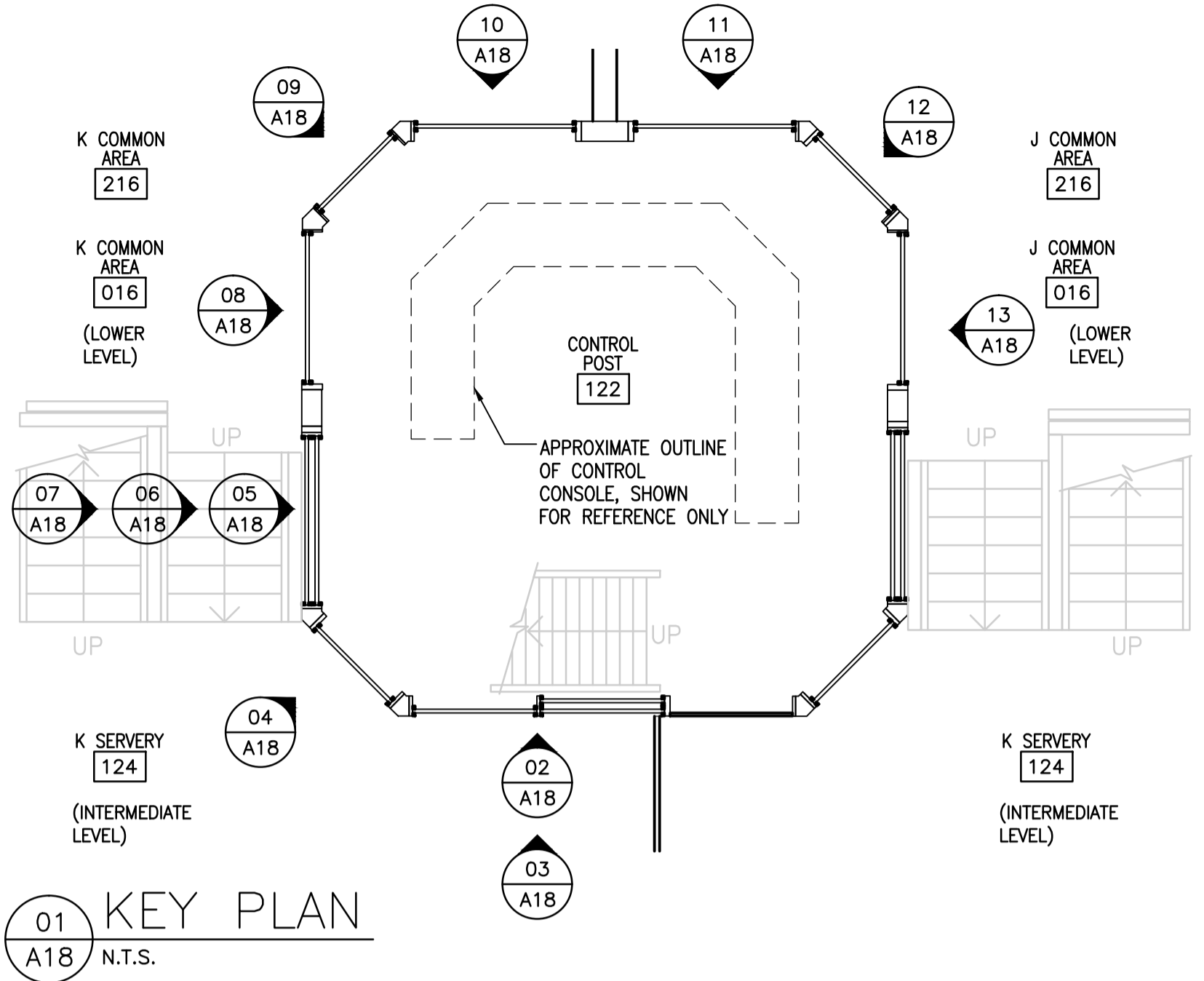
Client/client
PUBLIC WORKS AND GOVERNMENT SERVICES CANADA
219 - 800 BARRARD STREET
VANCOUVER, BC V6Z 0B9

Project title/Titre du projet
**AGASSIZ, BC V0M 1A0
4732 CEMETERY ROAD
BUILDING J-K, KENT INSTITUTION**
**KENT SEGREGATION CONTROL POST
GLAZING REPLACEMENT**

Consultant Signature Only
Designed by/Concept par
EDWIN BERZINS
Drawn by/Dessine par
MING HSU
PWGSC Project Manager/Administrateur de Projets TPSCG
JOSKO DUJMOVIC
PWGSC, Architectural and Engineering Resources Manager/
Ressources Architectural et de Directeur d'Ingénierie, TPSCG
Client/client
PWGSC
Drawing title/Titre du dessin

PHOTOS

Project No./No. du projet R. 082441.001	Sheet/Fauille A18 OF 18	Revision no./ La Révision no. 1
---	--------------------------------------	--



01 KEY PLAN
A18 N.T.S.



02 PHOTO
A18



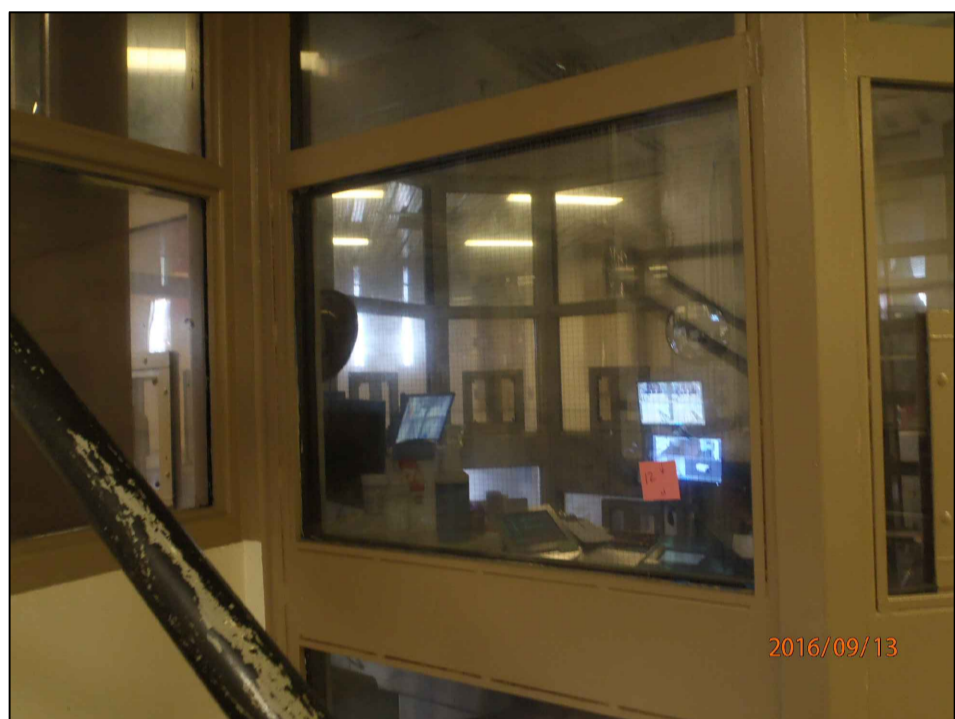
03 PHOTO
A18



04 PHOTO
A18



05 PHOTO
A18



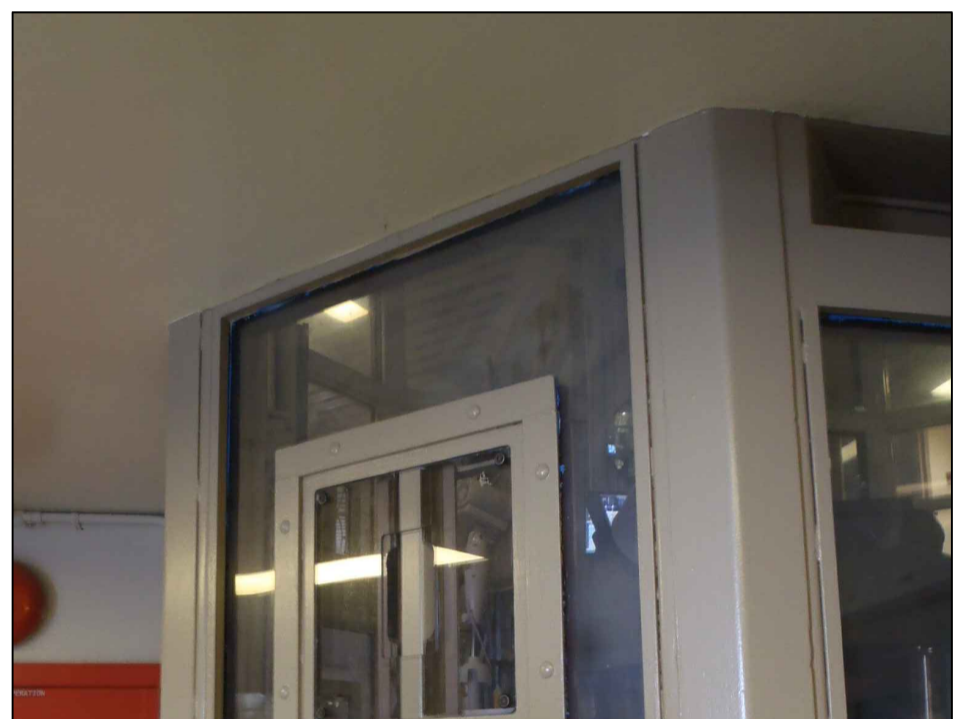
06 PHOTO
A18



07 PHOTO
A18



08 PHOTO
A18



09 PHOTO
A18



10 PHOTO
A18



11 PHOTO
A18



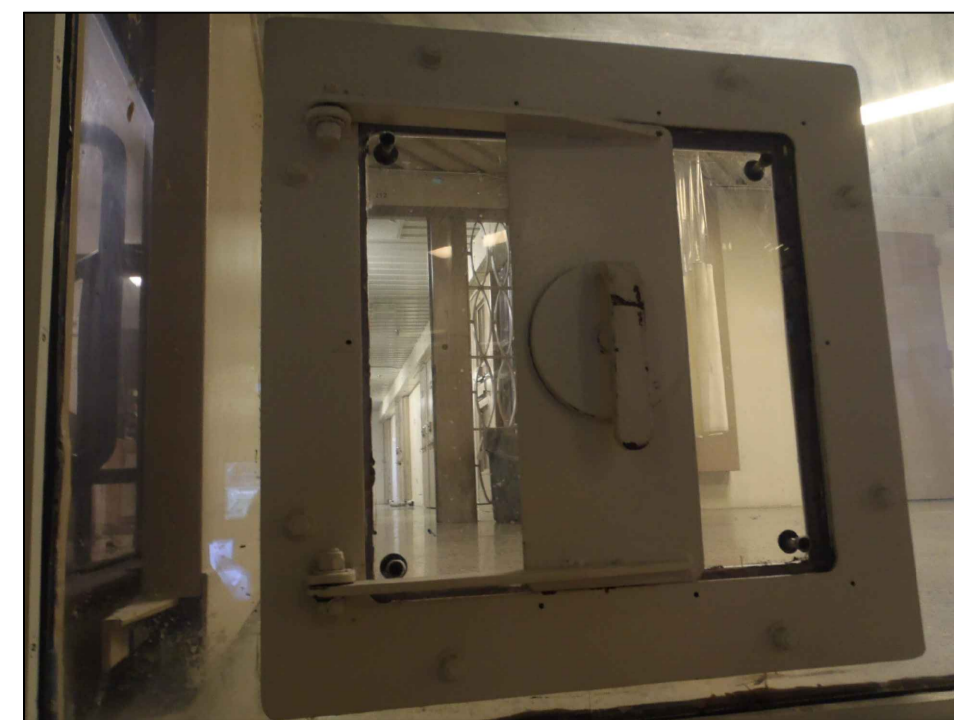
12 PHOTO
A18



13 PHOTO
A18



14 GUN PORT - ATTACK SIDE
A18



15 GUN PORT - GUARD SIDE COVER
A18



16 GUN PORT - GUARD SIDE
A18