

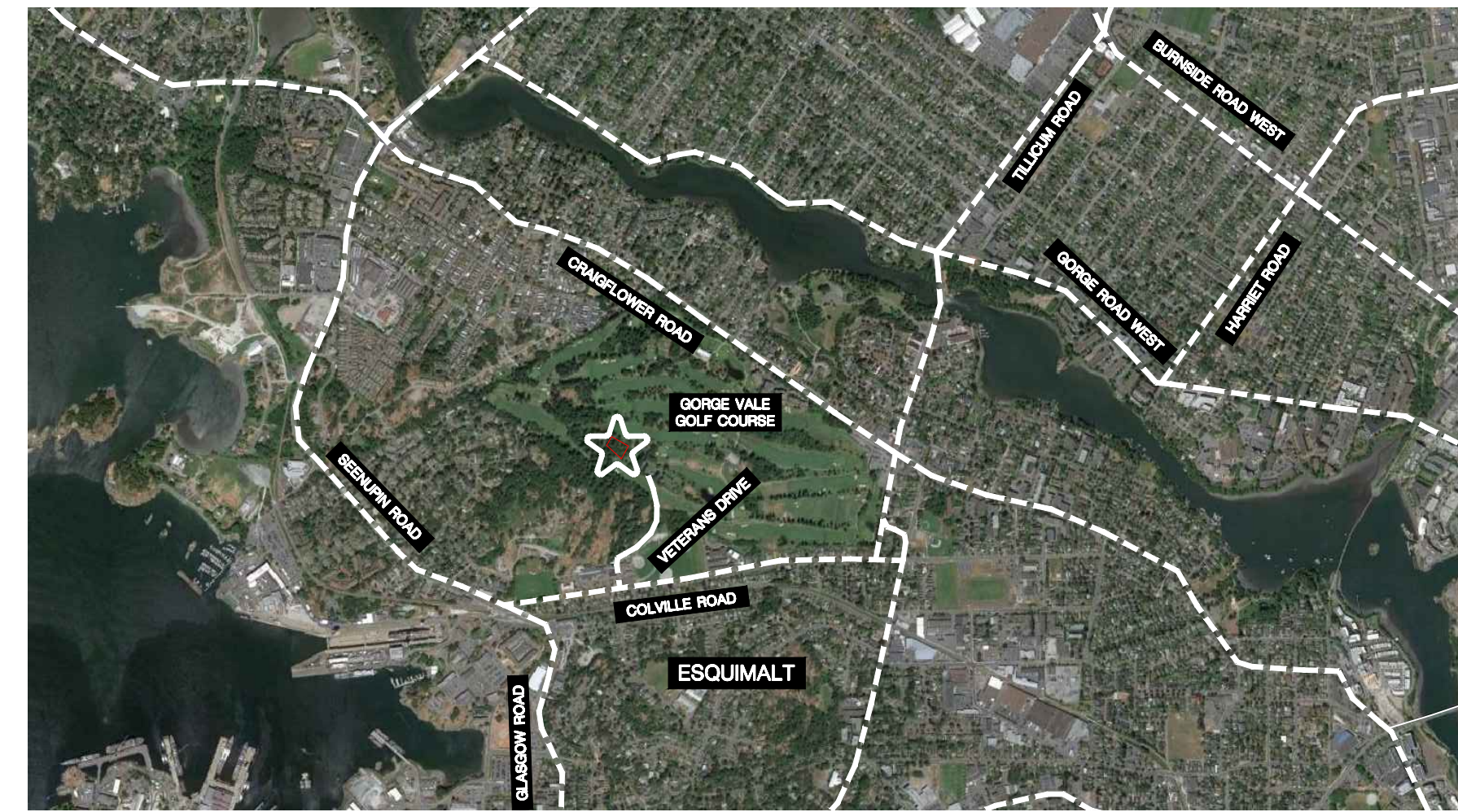
# ESQUIMALT VETERANS CEMETERY EXPANSION - COLUMBARIA TENDER

ESQUIMALT, BC

MARCH 16th, 2017. 100% CONSTRUCTION DRAWINGS



**2** CONCEPTUAL GRAPHIC - INCLUDED COLUMBARIA HIGHLIGHTED  
0.0 SCALE: Do Not Scale



**1** CONTEXT PLAN  
0.0 SCALE: 120,000

## DRAWING LIST

- L0.0 COVER SHEET
- L1.0 ACCESS PLAN
- L2.0 LOCATION PLAN

## CONSTRUCTION DETAILS:

- L3.0 40 NICHE COLUMBARIA - LAYOUT
- L3.1 64 AND 80 NICHE COLUMBARIA - LAYOUT
- L3.2 40 NICHE COLUMBARIA - STONE ELEMENTS
- L3.3 64 AND 80 NICHE COLUMBARIA - STONE ELEMENTS
- L3.4 END WALLS AND STONE SCHEDULES
- L3.5 40 NICHE COLUMBARIA - ALUMINUM FRAME
- L3.6 64 AND 80 NICHE COLUMBARIA - ALUMINUM FRAME
- L3.7 ALUMINUM SECTION DETAILS AND CAST ALUMINUM CORNER PIECES

| Revision/Revision | Description/Description    | Date/Date |
|-------------------|----------------------------|-----------|
| 3                 | 100% CONSTRUCTION DRAWINGS | 17/03/16  |
| 2                 | 100% CONSTRUCTION DRAWINGS | 17/03/08  |
| 1                 | 100% CONSTRUCTION DRAWINGS | 17/03/07  |

Client/client  
**Canada** Veterans Affairs / Anciens Combattants  
 Canada Canada

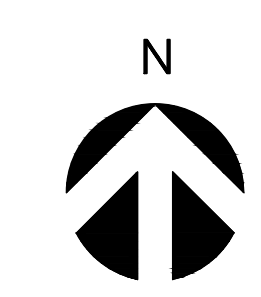
Project title/Titre du projet  
**ESQUIMALT, B.C. VETERANS DRIVE**  
**ESQUIMALT VETERANS CEMETERY COLUMBARIA**

Consultant Signature Box Only

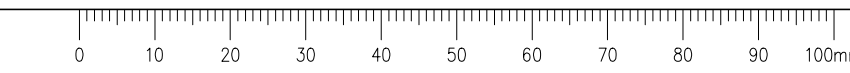
Designed by/Concept par  
**LEES + ASSOCIATES**  
 Drawn by/Dessiné par  
**LEES + ASSOCIATES / DATE (2017.03.16)**  
 PWGSC Project Manager/Administrateur de Projets TPSGC  
**REZA HAGHIGHI**

Drawing title/Titre du dessin  
**COVER SHEET**

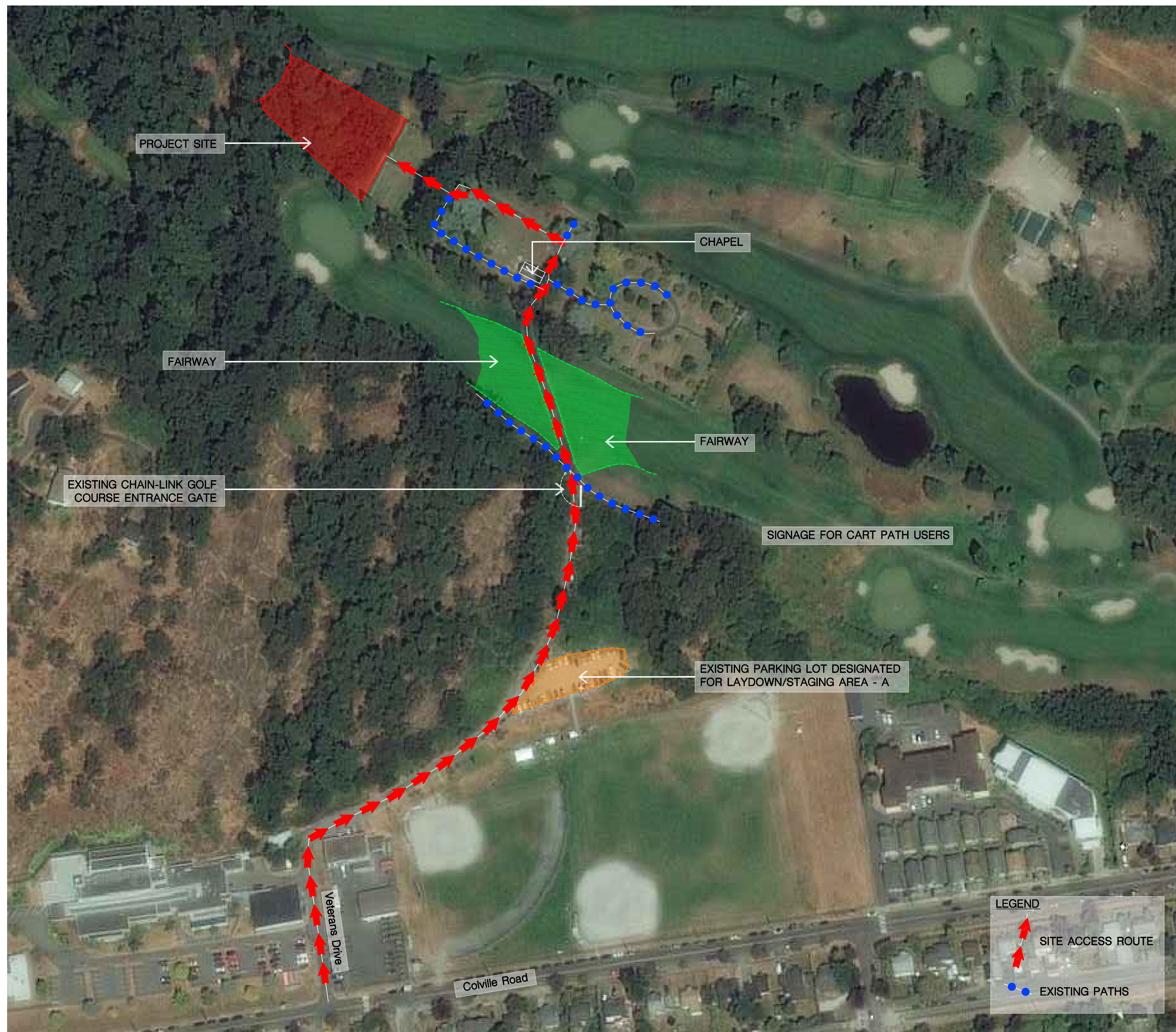
Project No./No. du projet  
**R.080256.003.**  
 Sheet/Feuille  
**L0.0**  
 Revision no./La Révision no.  
**3**  
**1 OF 11**



Z:\Active Clients\Public Works and Government Services Canada\17-99\ColumbariaTender\CA16\_CAD\Working Drawings\17-991\_EVC\_Exp\_1.00\_Cover.dwg

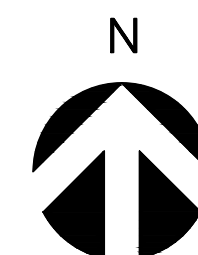


Z:\Active Clients\Public Works and Government Services Canada\17-99\ColumbariaTender&CA16\_CAD\Working Drawings\17-991\_EVC\_Exp\_L10\_Site Access Plan.dwg



**LEGEND**

- SITE ACCESS ROUTE
- EXISTING PATHS



| Revision/Revision | Description/Description    | Date/Date |
|-------------------|----------------------------|-----------|
| 3                 | 100% CONSTRUCTION DRAWINGS | 17/03/16  |
| 2                 | 100% CONSTRUCTION DRAWINGS | 17/03/08  |
| 1                 | 100% CONSTRUCTION DRAWINGS | 17/03/07  |

Client/client  
**Veterans Affairs Canada** / **Anciens Combattants Canada**

Project title/Titre du projet  
**ESQUIMALT, B.C.**  
**VETERANS DRIVE**  
**ESQUIMALT VETERANS CEMETERY COLUMBARIA**

Consultant Signature Box Only  
 Designed by/Concept par  
**LEES + ASSOCIATES**  
 Drawn by/Dessiné par  
**LEES + ASSOCIATES / DATE (2017.03.16)**  
 PWGSC Project Manager/Administrateur de Projets TPSGC  
**REZA HAGHIGHI**  
 PWGSC, Regional Manager, Architectural and Engineering Services/  
 Gestionnaire régionale, Services d'architectural et de génie, TPSGC

Drawing title/Titre du dessin  
**STAGING & SITE ACCESS**

Project No./No. du projet **R.080256.003.** Sheet/Feuille **L1.0** Revision no./La Révision no. **3**  
**2 OF 11**



Z:\Active Clients\Public Works and Government Services Canada\17-99\ColumbariaTender&CA16\_CAD\Working Drawings\17-991\_EVC\_Exp\_L2.0\_Location Plan.dwg



**COLUMBARIA NOTES:**  
 - TYPE A1 TO A10 TO HAVE 80 NICHES.  
 - TYPE B1 TO HAVE 64 NICHES.  
 - TYPE C1 TO C10 TO HAVE 40 NICHES.

**(7) COLUMBARIA INCLUDED IN THIS TENDER:**  
 - (2) 40 NICHE COLUMBARIA: (C3) (C7)  
 - (1) 64 NICHE COLUMBARIA: (B1)  
 - (4) 80 NICHE COLUMBARIA: (A1) (A2) (A7) (A9)

- LEGEND**
- PROPERTY BOUNDARY
  - AREAS WITH MULCH
  - NEW PLAZA CONCRETE PAVER SURFACE
  - NEW GREY GRANITE SURFACE COURSE - 4MM MINUS
  - CONTOUR AT 1M INTERVALS
  - CONTOUR AT 0.2M INTERVALS
  - NEW FENCE
  - APPROXIMATE EXTENTS OF BEDROCK OUTCROPS
  - 80 NICHE COLUMBARIA
  - 40 NICHE COLUMBARIA
  - NEW BENCH
  - IN-GROUND CREMATION LOT
  - BOULDERS
  - GRANITE CAP
  - TREE ID NUMBER - REFER TO ARBORIST'S REPORT
  - HOSE BIB LOCATION

| Revision/Revision | Description/Description    | Date/Date |
|-------------------|----------------------------|-----------|
| 3                 | 100% CONSTRUCTION DRAWINGS | 17/03/16  |
| 2                 | 100% CONSTRUCTION DRAWINGS | 17/03/08  |
| 1                 | 100% CONSTRUCTION DRAWINGS | 17/03/07  |

Client/client  
 Veterans Affairs Canada / Anciens Combattants Canada

Project title/Titre du projet  
**ESQUIMALT, B.C.**  
**VETERANS DRIVE**  
**ESQUIMALT VETERANS CEMETERY COLUMBARIA**

Consultant Signature Box Only

Designed by/Concept par  
**LEES + ASSOCIATES**

Drawn by/Dessiné par  
**LEES + ASSOCIATES / DATE (2017.03.16)**

PWOSC Project Manager/Administrateur de Projets TPSGC  
**REZA HAGHIGHI**

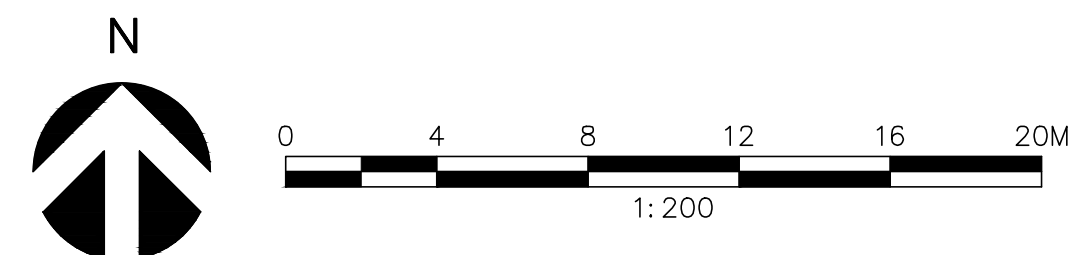
PWOSC, Regional Manager, Architectural and Engineering Services/  
 Gestionnaire régionale, Services d'architecture et de génie, TPSGC

Drawing title/Titre du dessin  
**LOCATION PLAN**

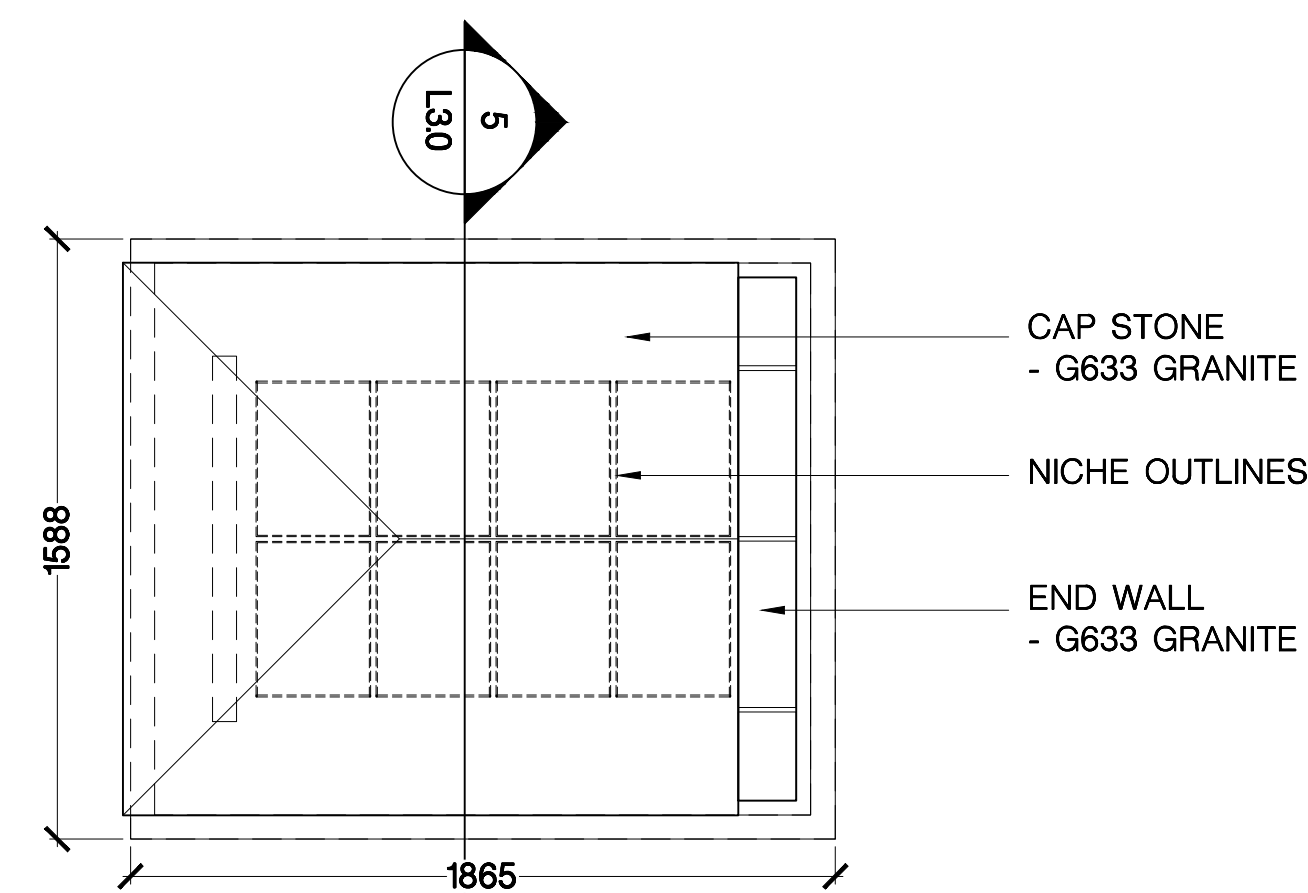
Project No./No. du projet  
**R.080256.003.**

Sheet/Feuille  
**L2.0**  
**3 OF 11**

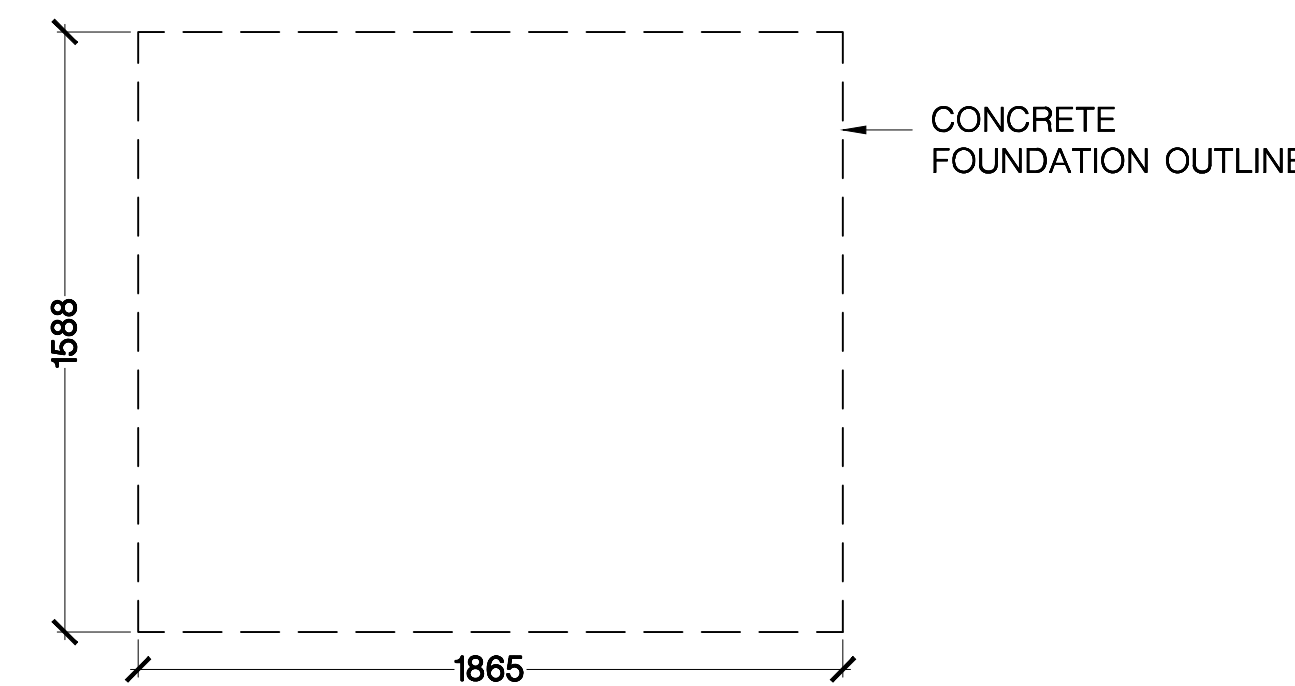
Revision no./La Révision no.  
**3**



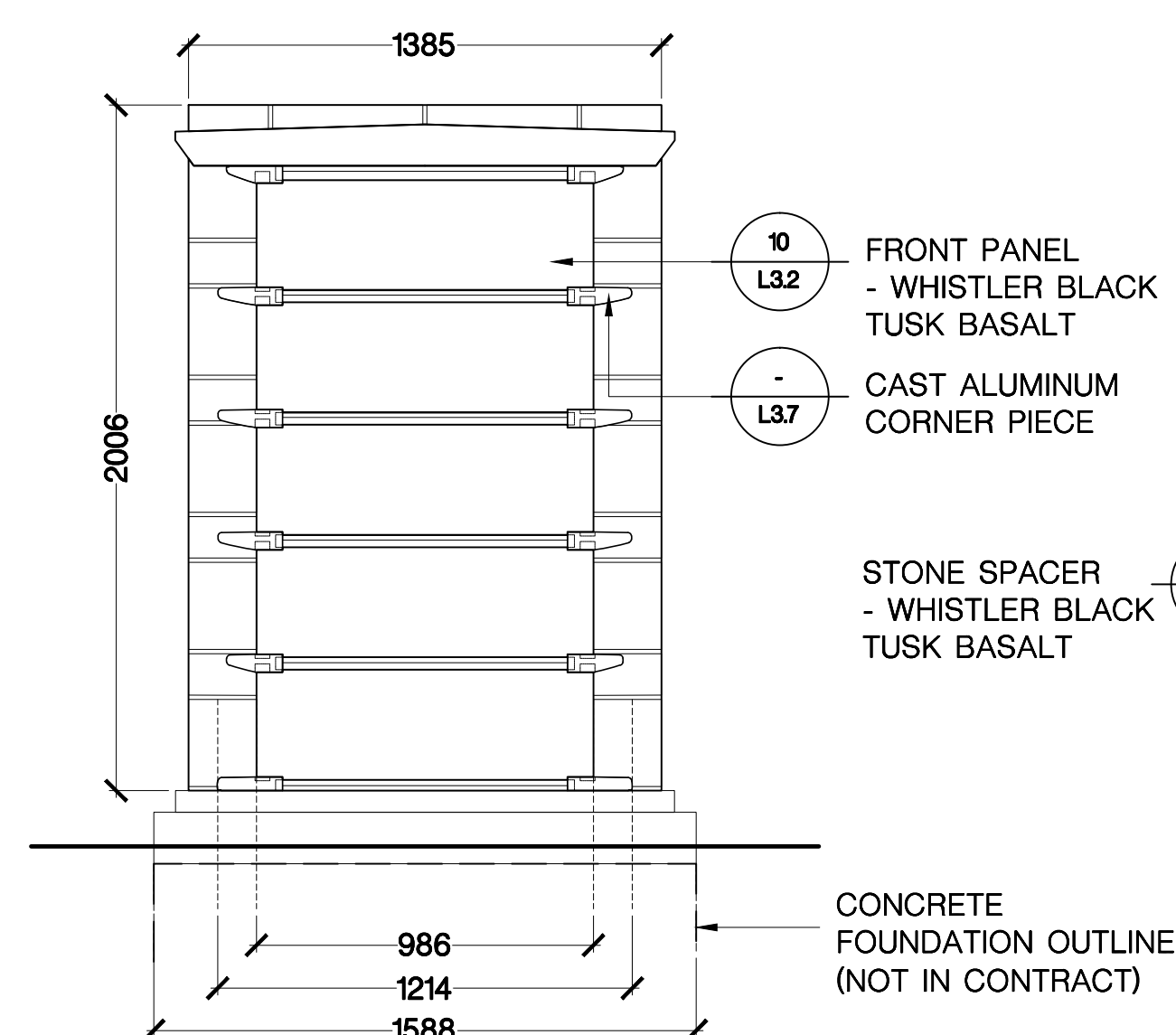
NOTE:  
SHUTTERS ARE TO SIT IN LEDGES  
WITHOUT THE USE OF ROSETTES



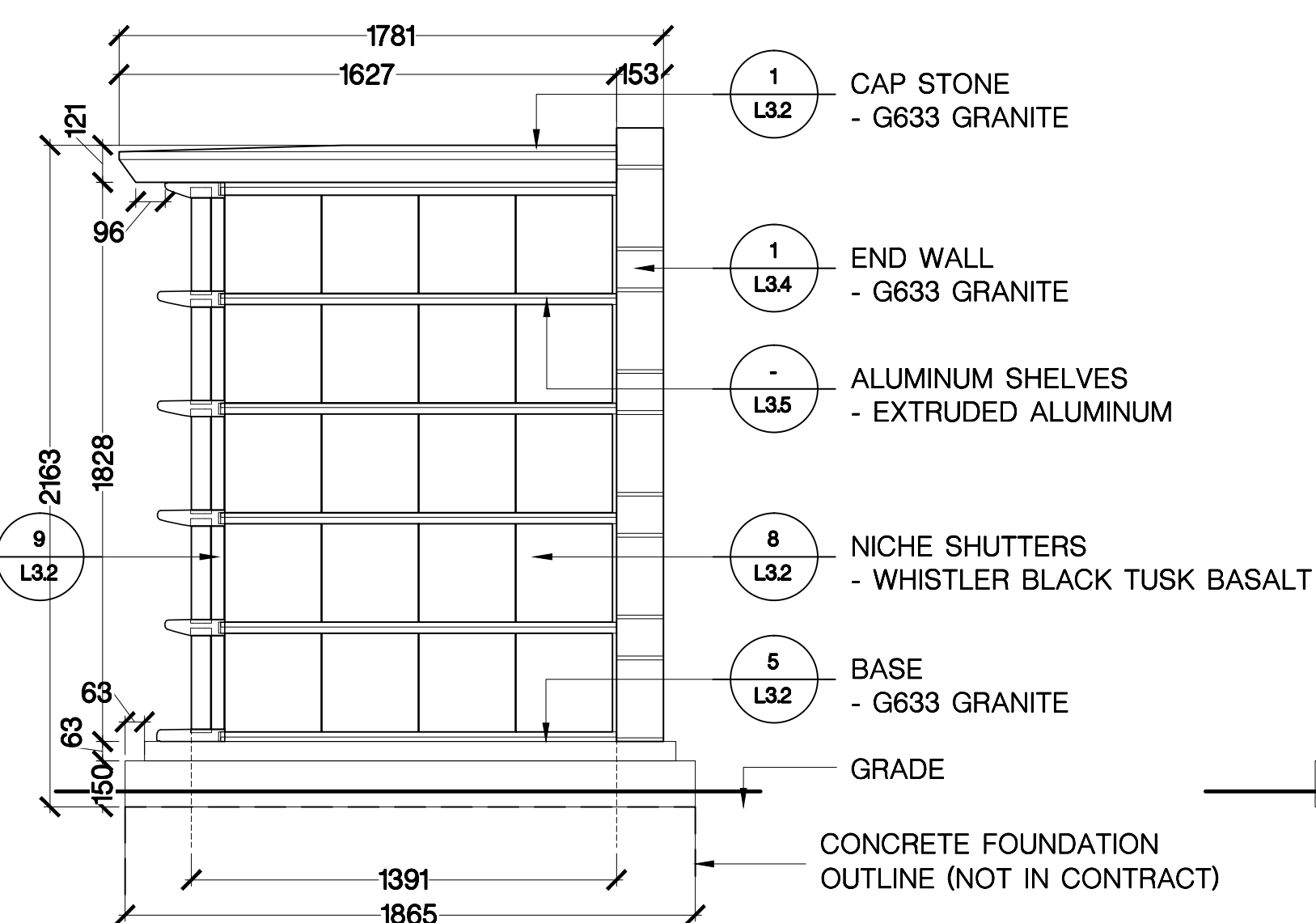
1A PLAN  
SCALE: 120



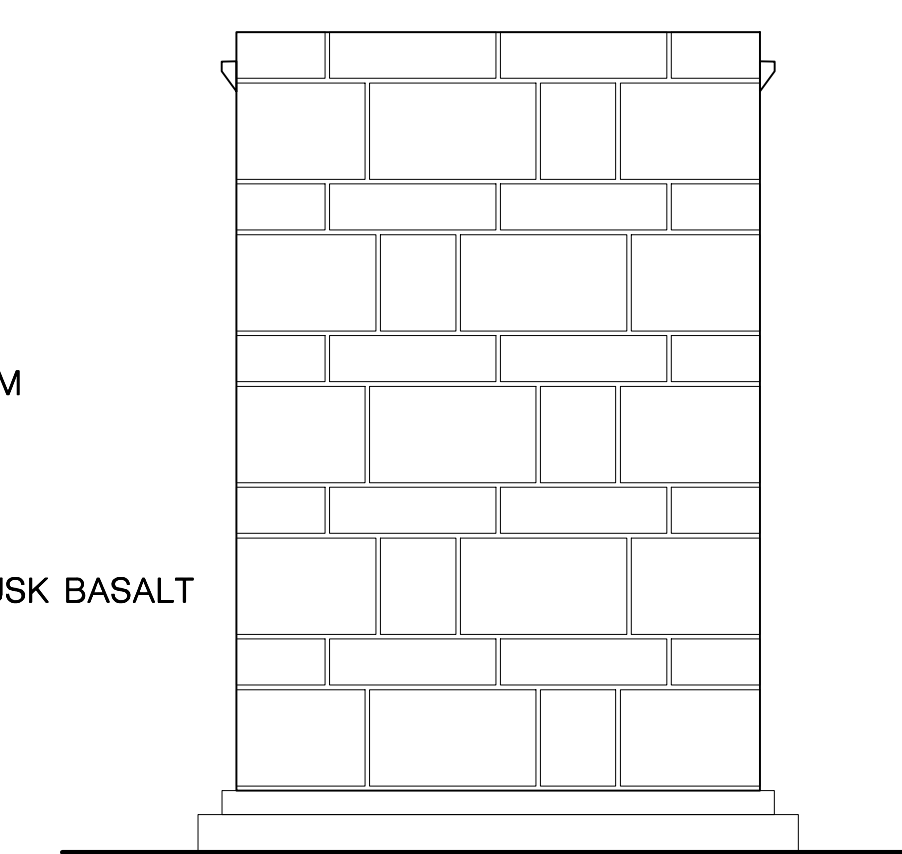
1B PLAN - FOUNDATION OUTLINE  
SCALE: 120



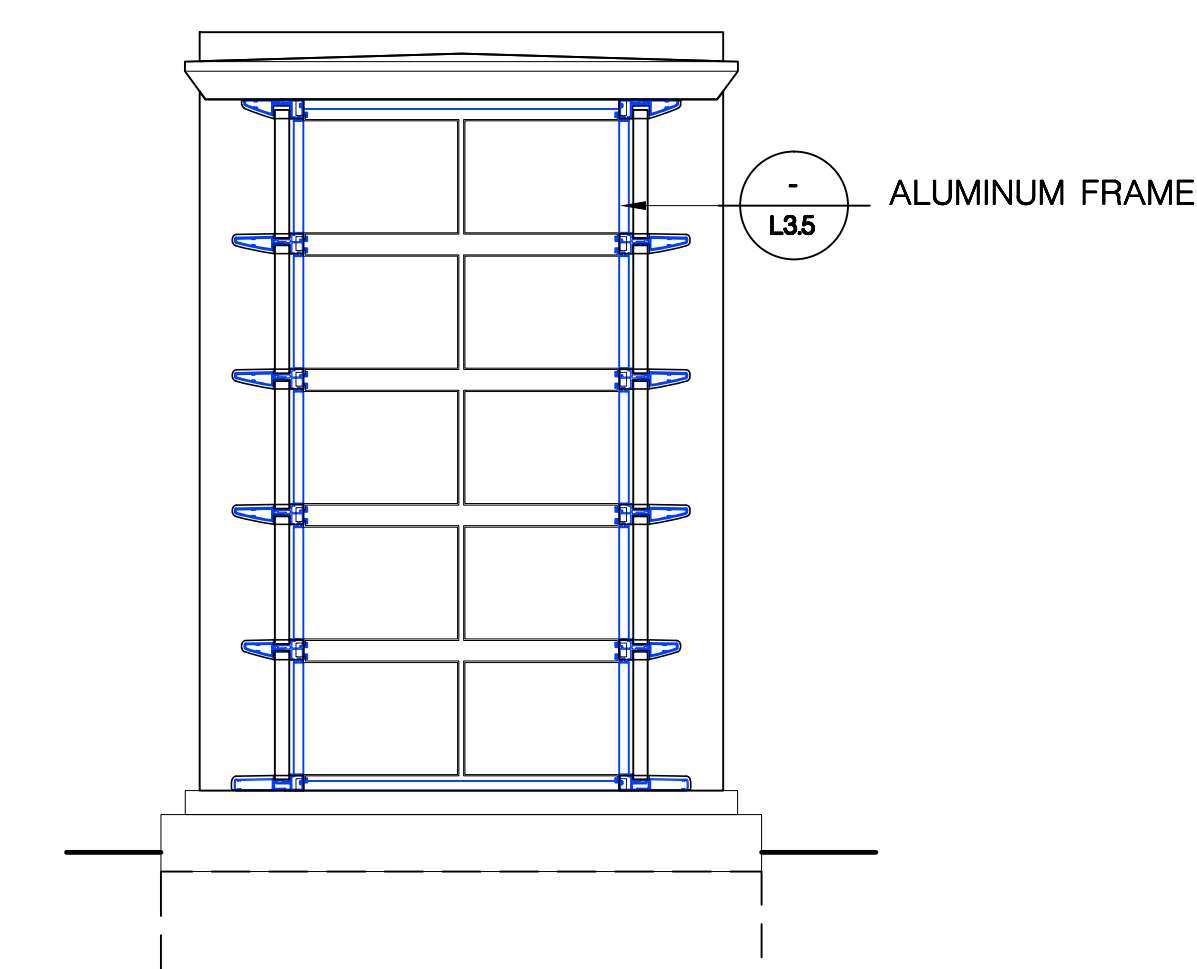
2 FRONT ELEVATION  
SCALE: 120



3 NICHE WALL ELEVATION  
SCALE: 120



4 END WALL ELEVATION  
SCALE: 120



5 TYPICAL SECTION  
SCALE: 120

| Revision/Revision | Description/Description    | Date/Date |
|-------------------|----------------------------|-----------|
| 3                 | 100% CONSTRUCTION DRAWINGS | 17/03/16  |
| 2                 | 100% CONSTRUCTION DRAWINGS | 17/03/08  |
| 1                 | 100% CONSTRUCTION DRAWINGS | 17/03/07  |

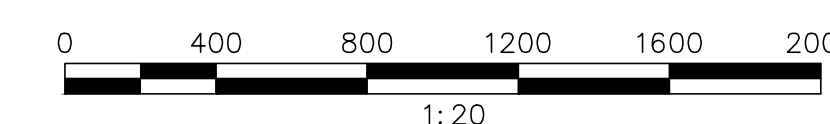
Client/client  
Veterans Affairs Canada / Anciens Combattants Canada

Project title/Titre du projet  
**ESQUIMALT, B.C. VETERANS DRIVE**  
**ESQUIMALT VETERANS CEMETERY COLUMBARIA**

Consultant Signature Box Only  
Designed by/Concept par  
**LEES + ASSOCIATES**  
Drawn by/Dessiné par  
**LEES + ASSOCIATES / DATE (2017.03.16)**  
PWGSC Project Manager/Administrateur de Projets TPSGC  
**REZA HAGHIGHI**  
PWGSC, Regional Manager, Architectural and Engineering Services/  
Gestionnaire régionale, Services d'architectural et de génie, TPSGC

Drawing title/Titre du dessin  
**CONSTRUCTION DETAILS**  
**40 NICHE COLUMBARIA**  
**LAYOUT**

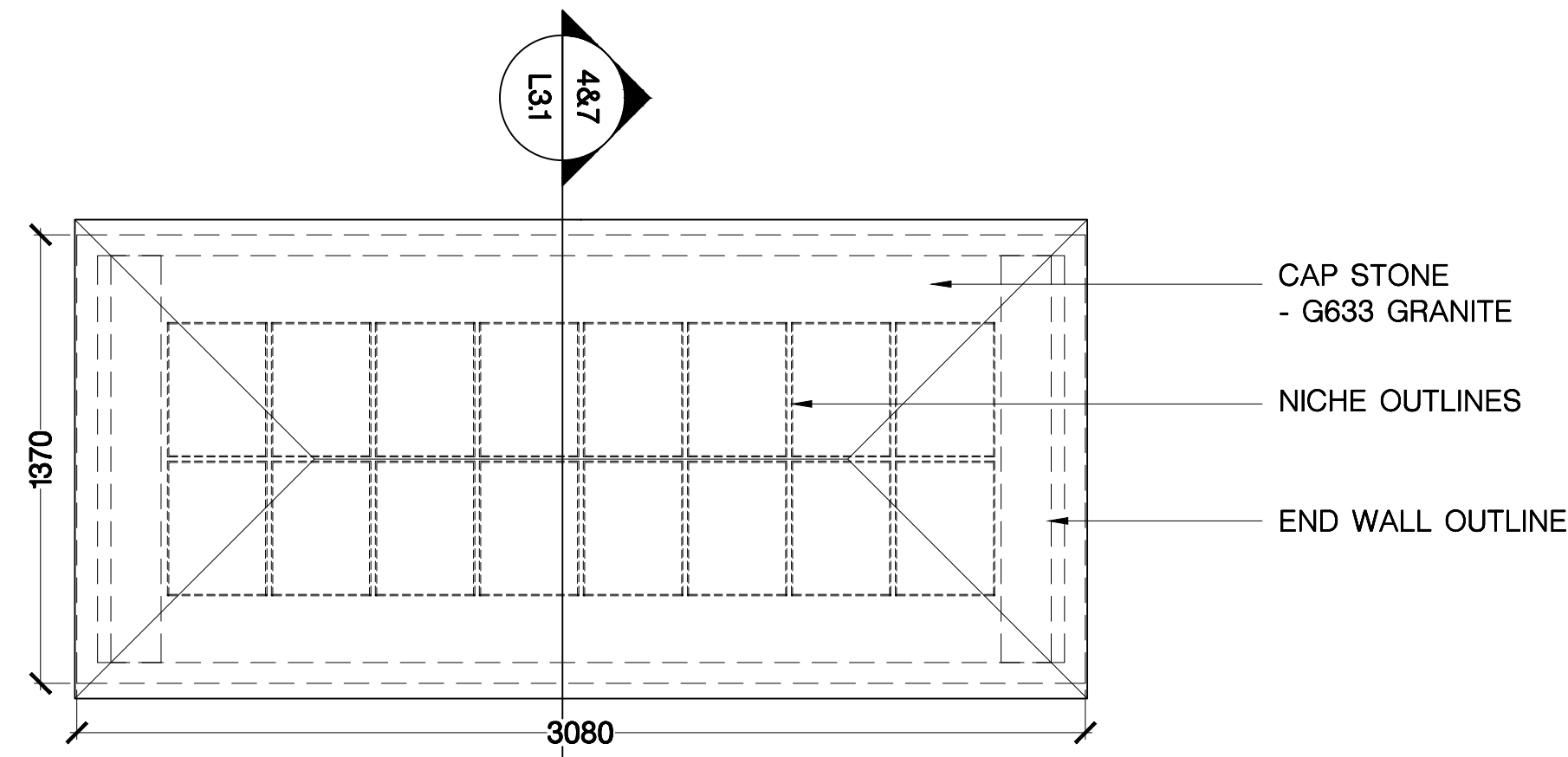
Project No./No. du projet  
**R.080256.003.**  
Sheet/Fauille  
**L3.0**  
Revision no./La Révision no.  
**3**  
**4 OF 11**



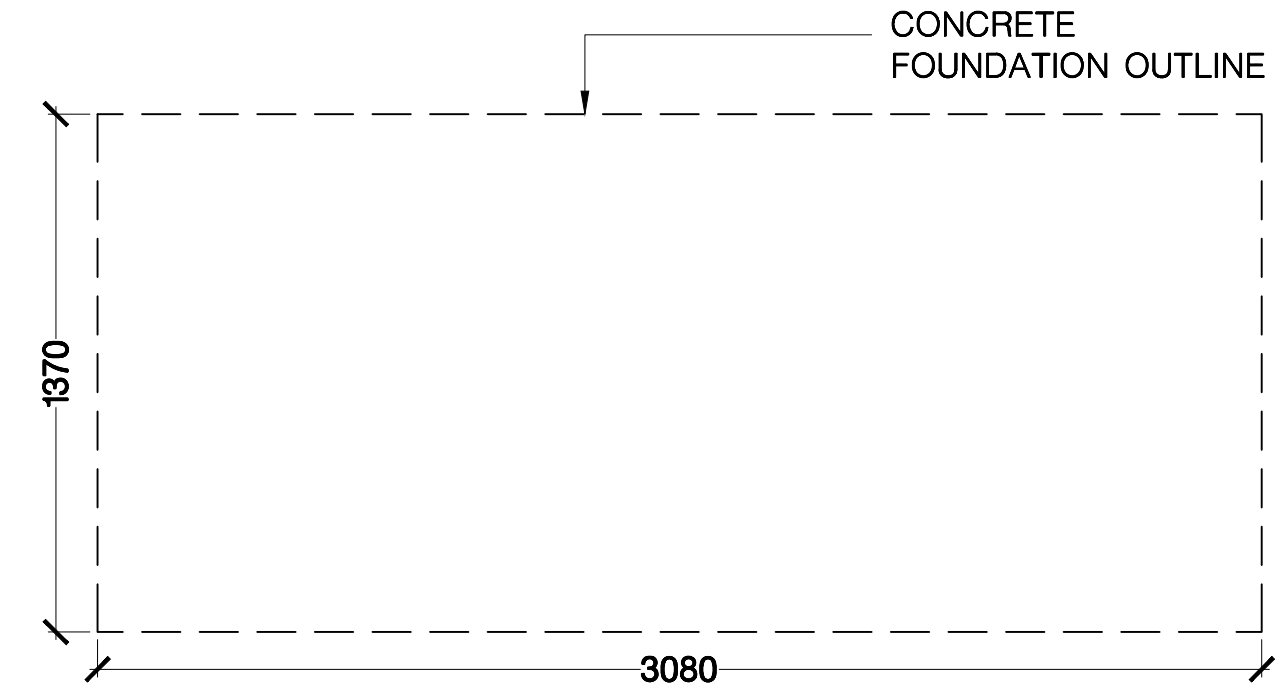
Z:\Active Clients\Public Works and Government Services Canada\17-99\Columbaria\Tender&CA16\_CAD\Working Drawings\17-991\_EVC\_Exp\_L3.0 to L3.7\_Columbaria\_Details.dwg

Z:\Active Clients\Public Works and Government Services Canada\17-99\Columbaria\Tender\CA16\_CAD\Working Drawings\17-991\_EVC\_Exp\_L3.0 to L3.7\_Columbaria\_Details.dwg

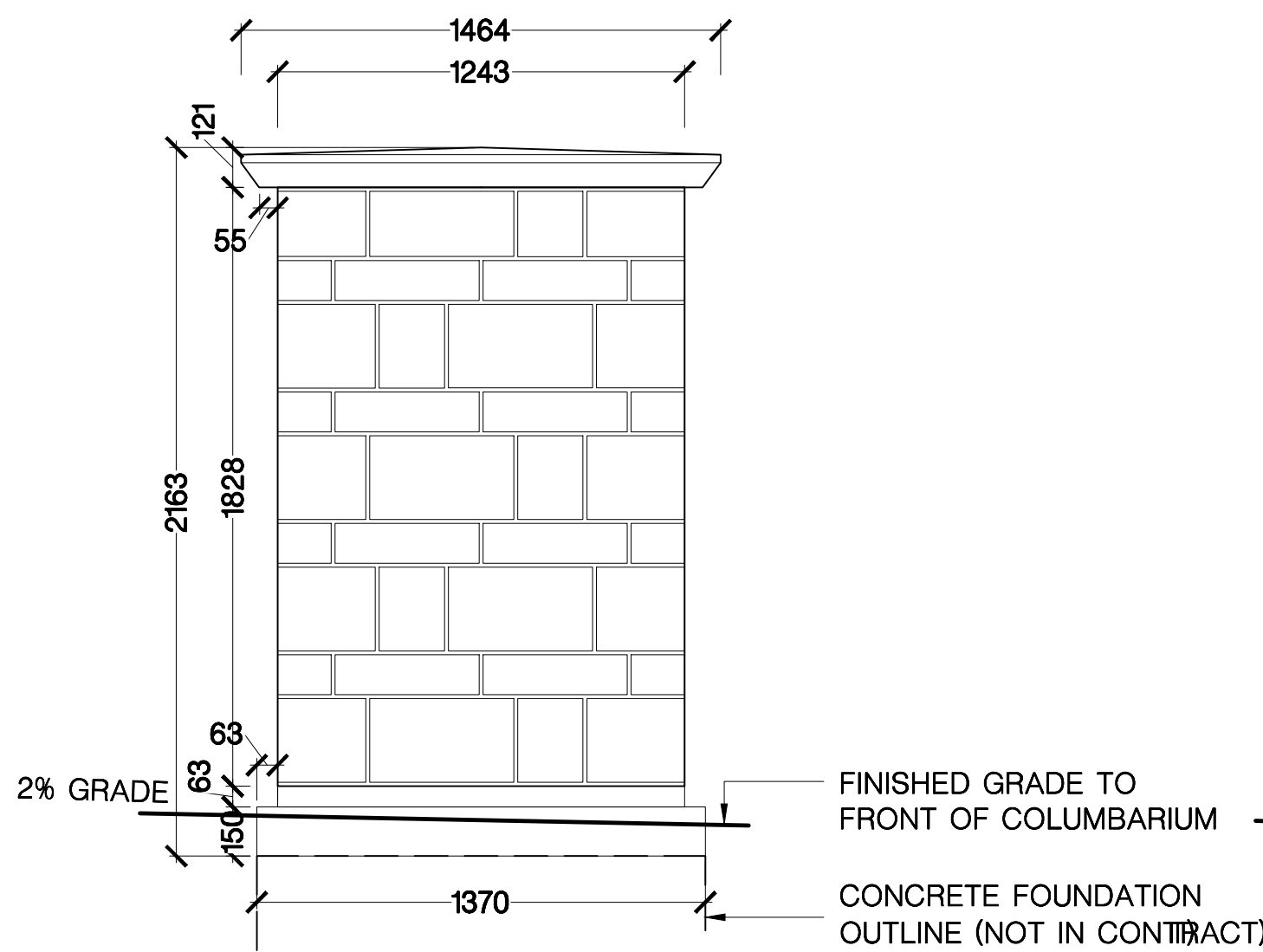
NOTE:  
SHUTTERS ARE TO SIT IN LEDGES  
WITHOUT THE USE OF ROSETTES



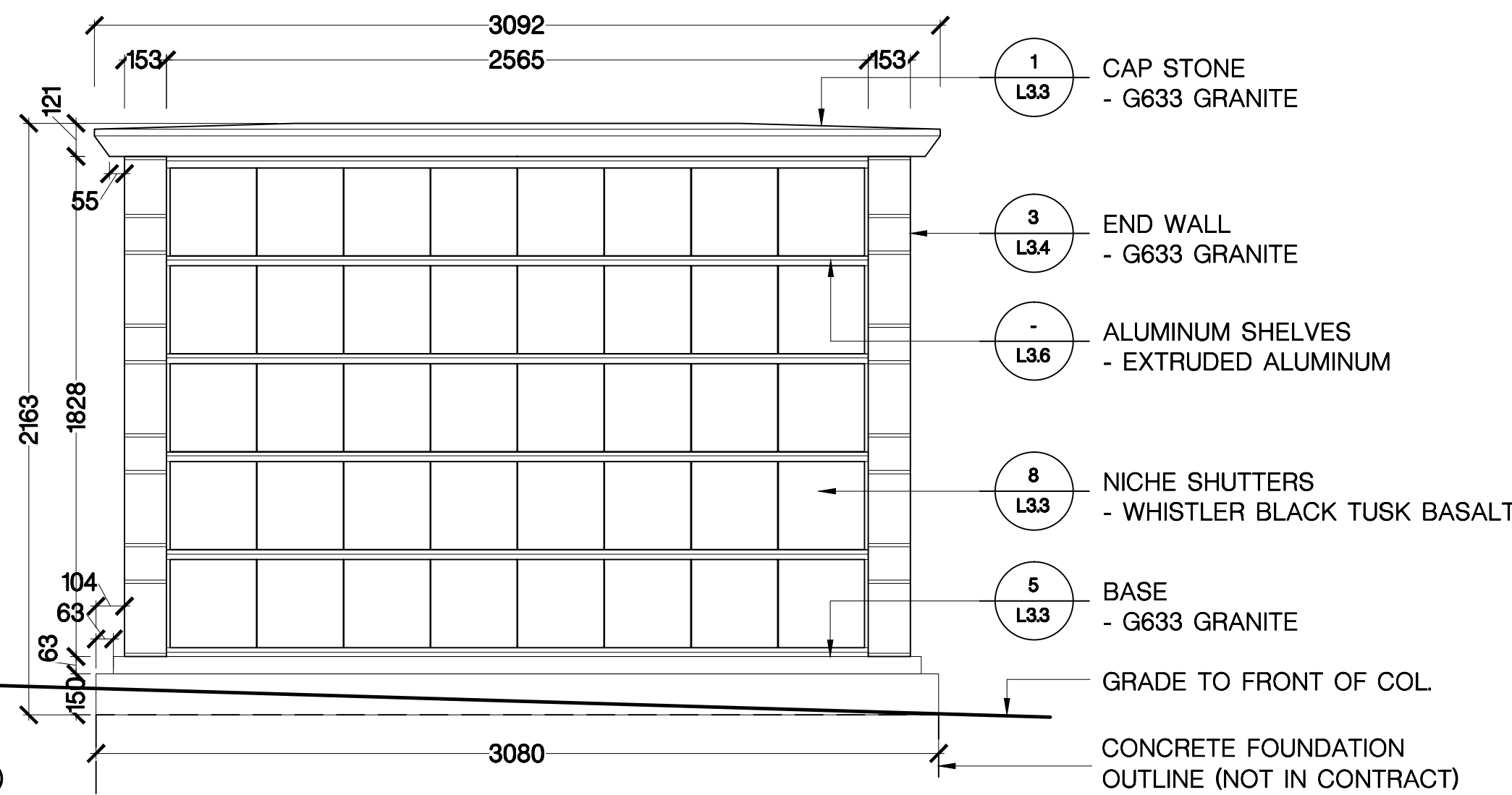
**1A** 64 & 80 NICHE COLUMBARIA - PLAN  
L3.1 SCALE: 120



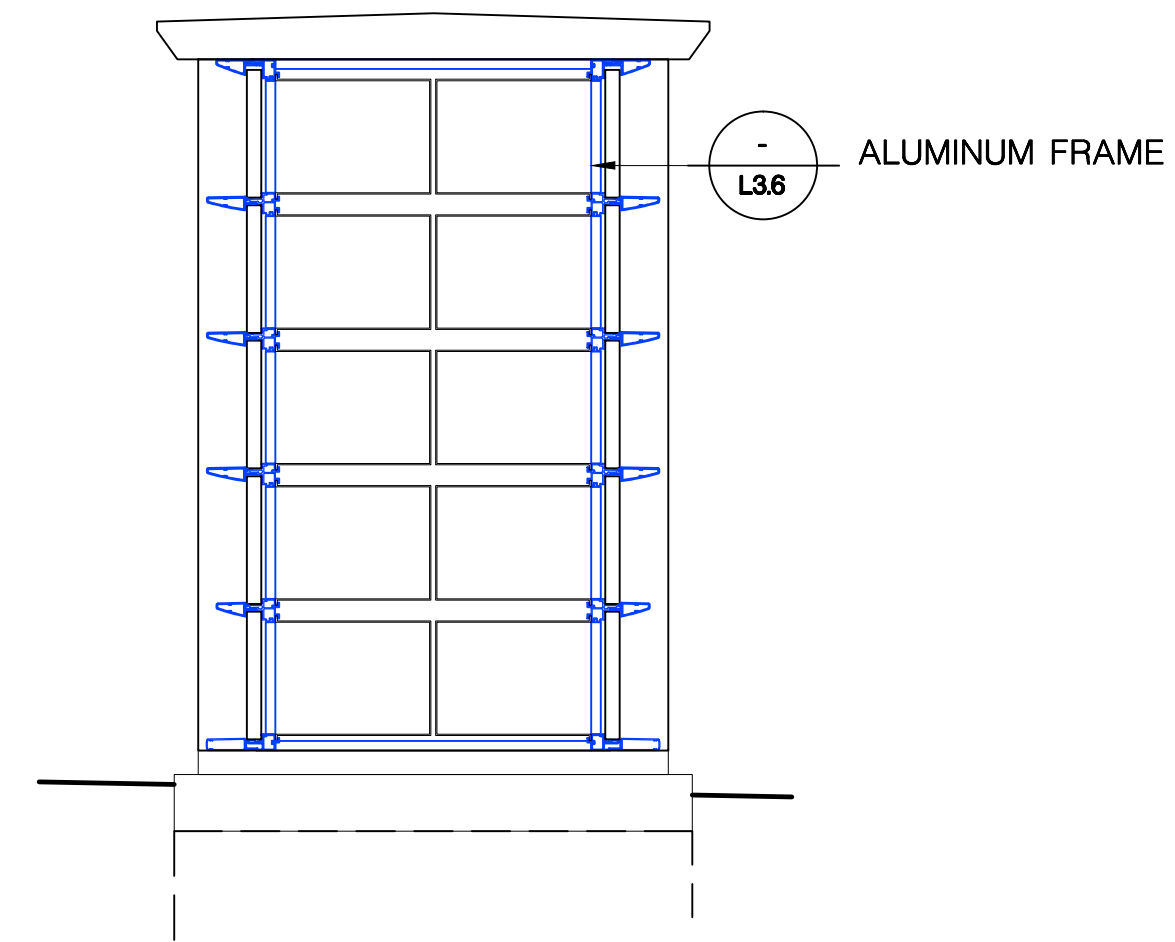
**1B** PLAN - FOUNDATION OUTLINE (80 NICHE ONLY)  
L3.0 SCALE: 120



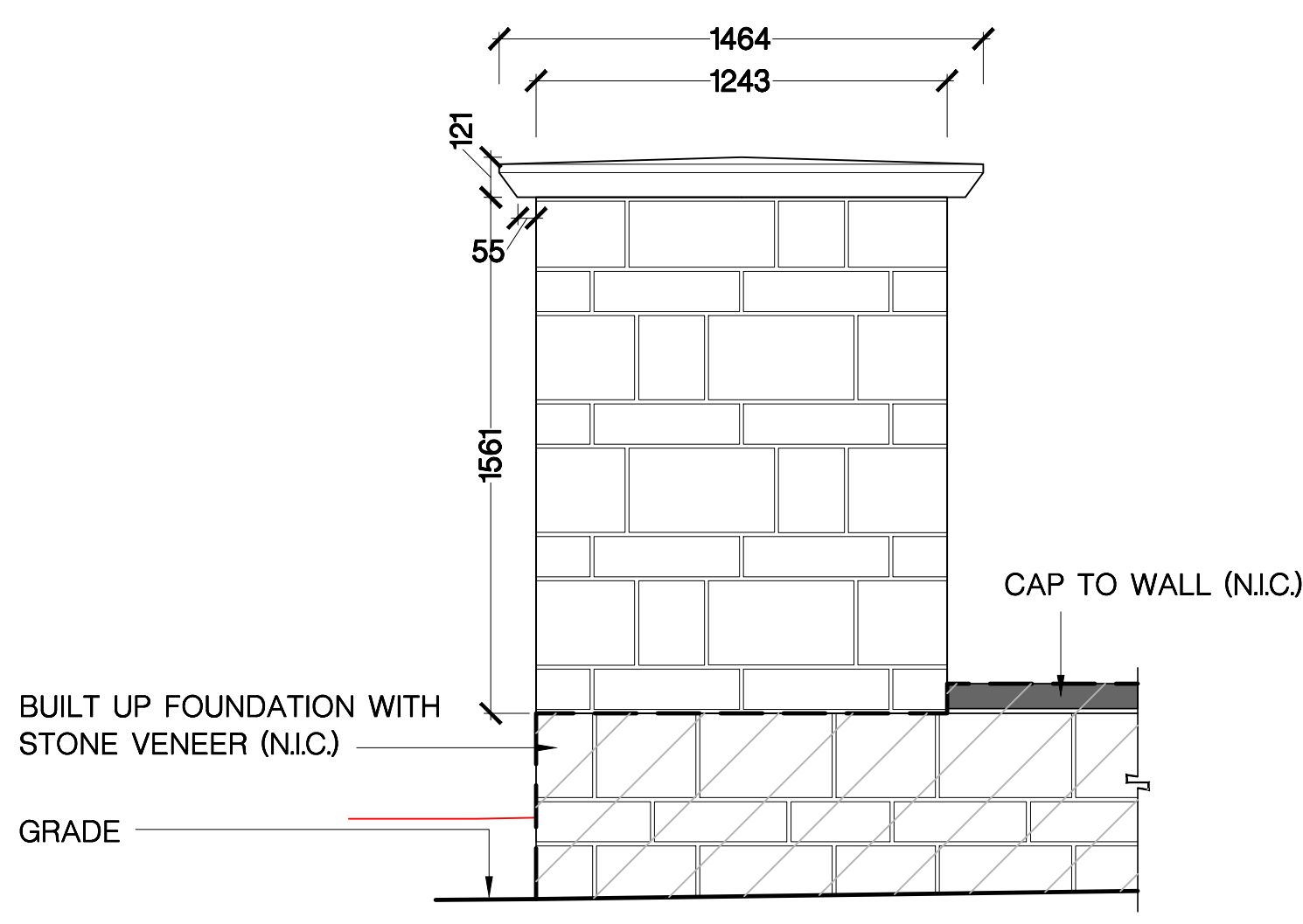
**2** 80 NICHE COLUMBARIUM - END ELEVATION  
L3.1 SCALE: 120



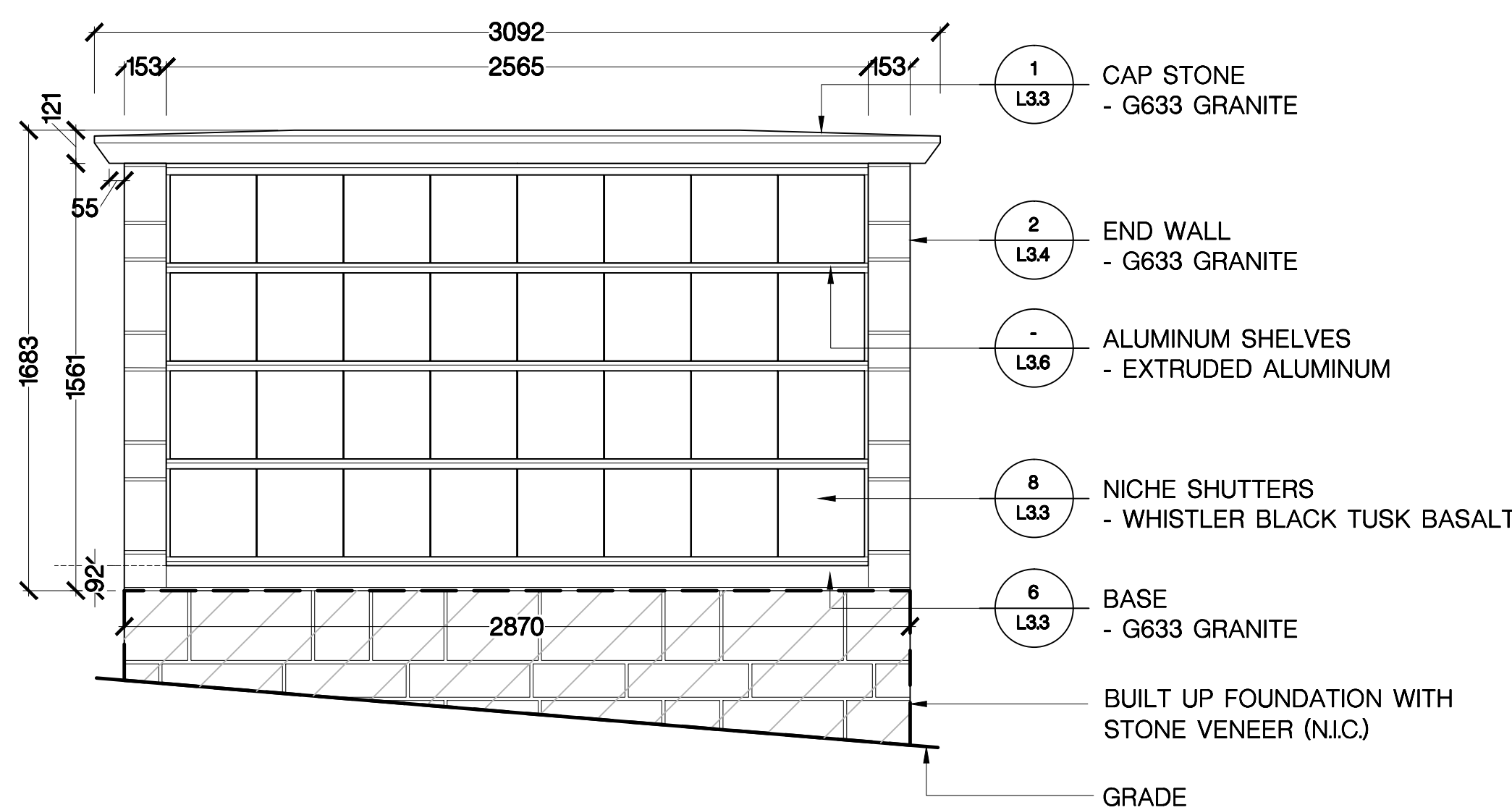
**3** 80 NICHE COLUMBARIUM - NICHE WALL ELEVATION  
L3.1 SCALE: 120



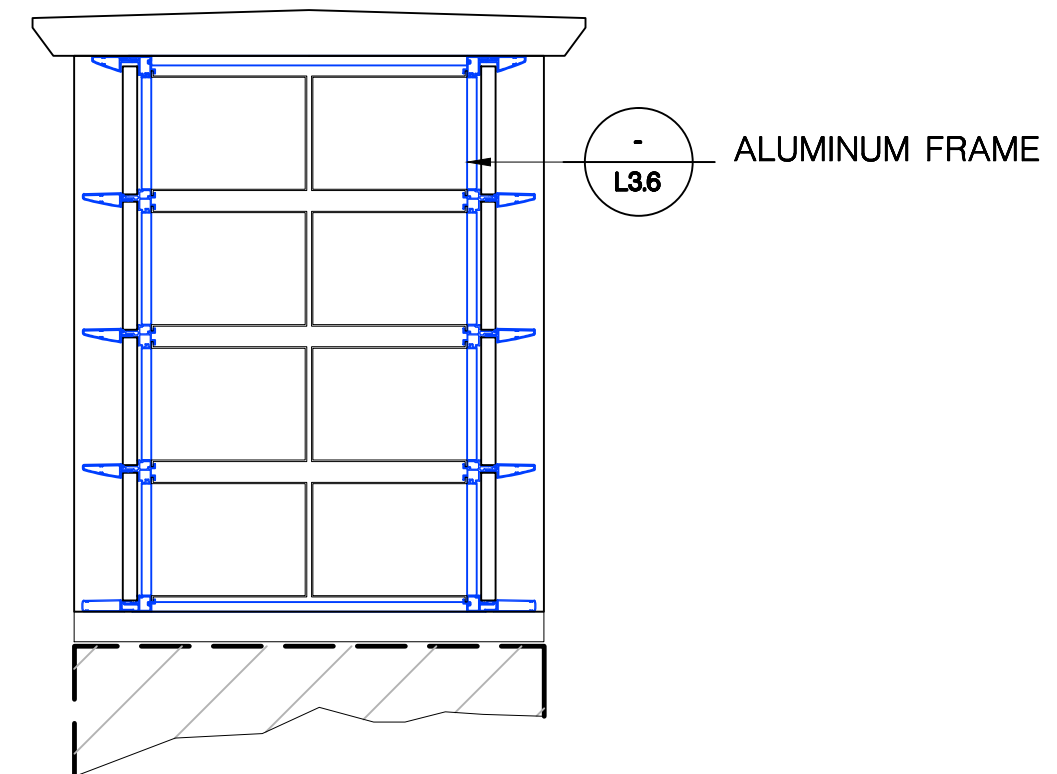
**4** 80 NICHE COLUMBARIUM - TYPICAL SECTION  
L3.1 SCALE: 120



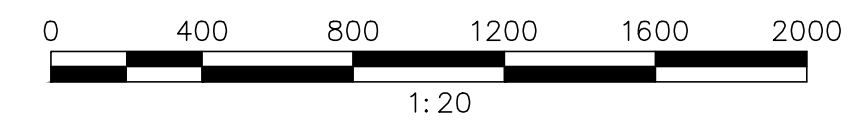
**5** 64 NICH COLUMBARIUM - END ELEVATION  
L3.1 SCALE: 120



**6** 64 NICHE COLUMBARIUM - NICHE WALL ELEVATION  
L3.1 SCALE: 120



**7** 64 NICHE COLUMBARIUM - TYPICAL SECTION  
L3.1 SCALE: 120



| Revision/Revision | Description/Description    | Date/Date |
|-------------------|----------------------------|-----------|
| 3                 | 100% CONSTRUCTION DRAWINGS | 17/03/16  |
| 2                 | 100% CONSTRUCTION DRAWINGS | 17/03/08  |
| 1                 | 100% CONSTRUCTION DRAWINGS | 17/03/07  |

Client/client  
**Veterans Affairs Canada / Anciens Combattants Canada**

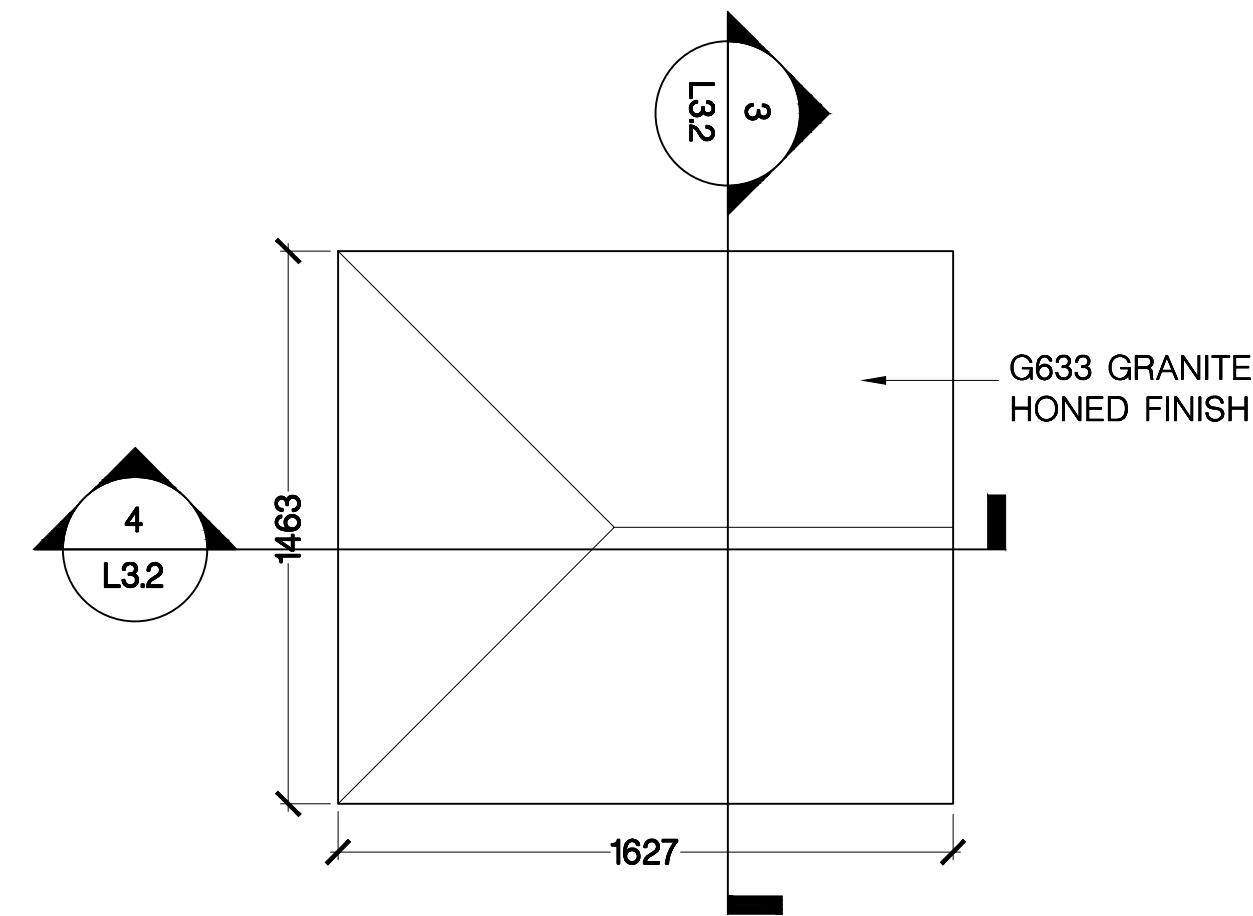
Project title/Titre du projet  
**ESQUIMALT, B.C. VETERANS DRIVE**  
**ESQUIMALT VETERANS CEMETERY COLUMBARIA**

Consultant Signature Box Only  
Designed by/Concept par  
**LEES + ASSOCIATES**  
Drawn by/Dessiné par  
**LEES + ASSOCIATES / DATE (2017.03.16)**  
PWGSC Project Manager/Administrateur de Projets TPSGC  
**REZA HAGHIGHI**  
PWGSC, Regional Manager, Architectural and Engineering Services/  
Gestionnaire régionale, Services d'architectural et de génie, TPSGC

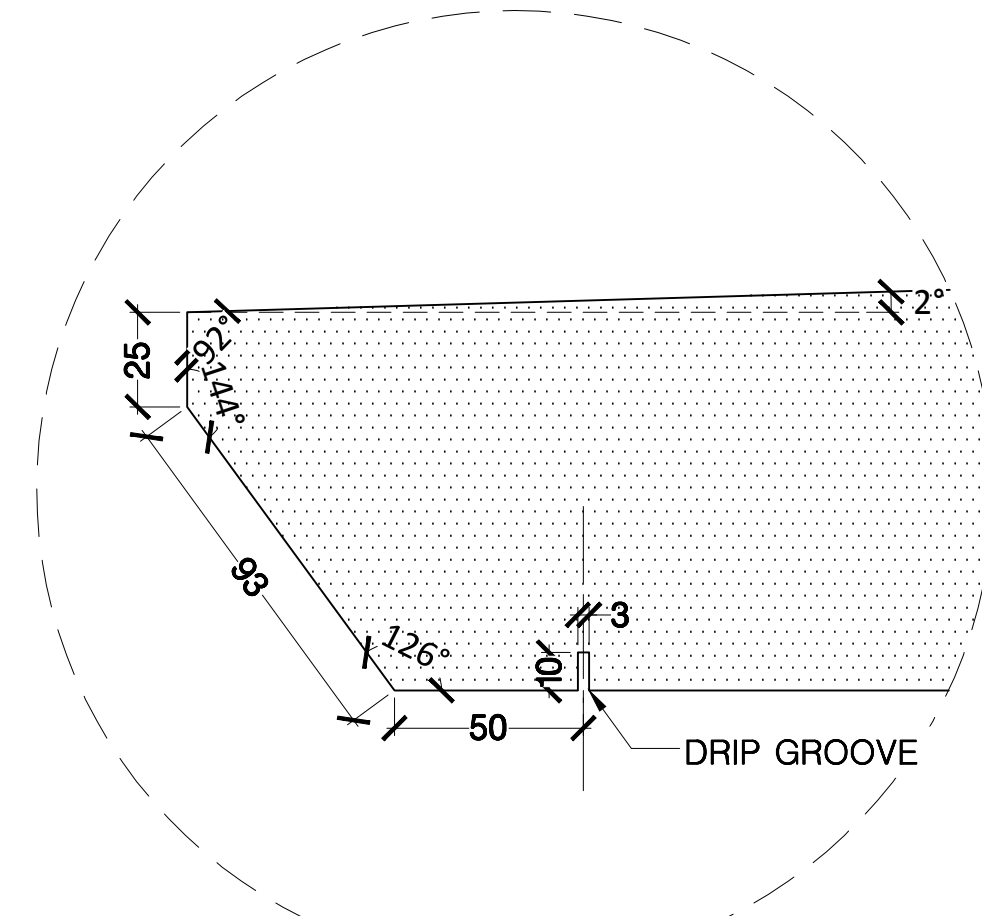
Drawing title/Titre du dessin  
**CONSTRUCTION DETAILS**  
**64 AND 80 NICHE COLUMBARIA**  
**LAYOUT**

Project No./No. du projet  
**R.080256.003.**  
Sheet/Feuille  
**L3.1**  
Revision no./La Révision no.  
**3**  
**5 OF 11**

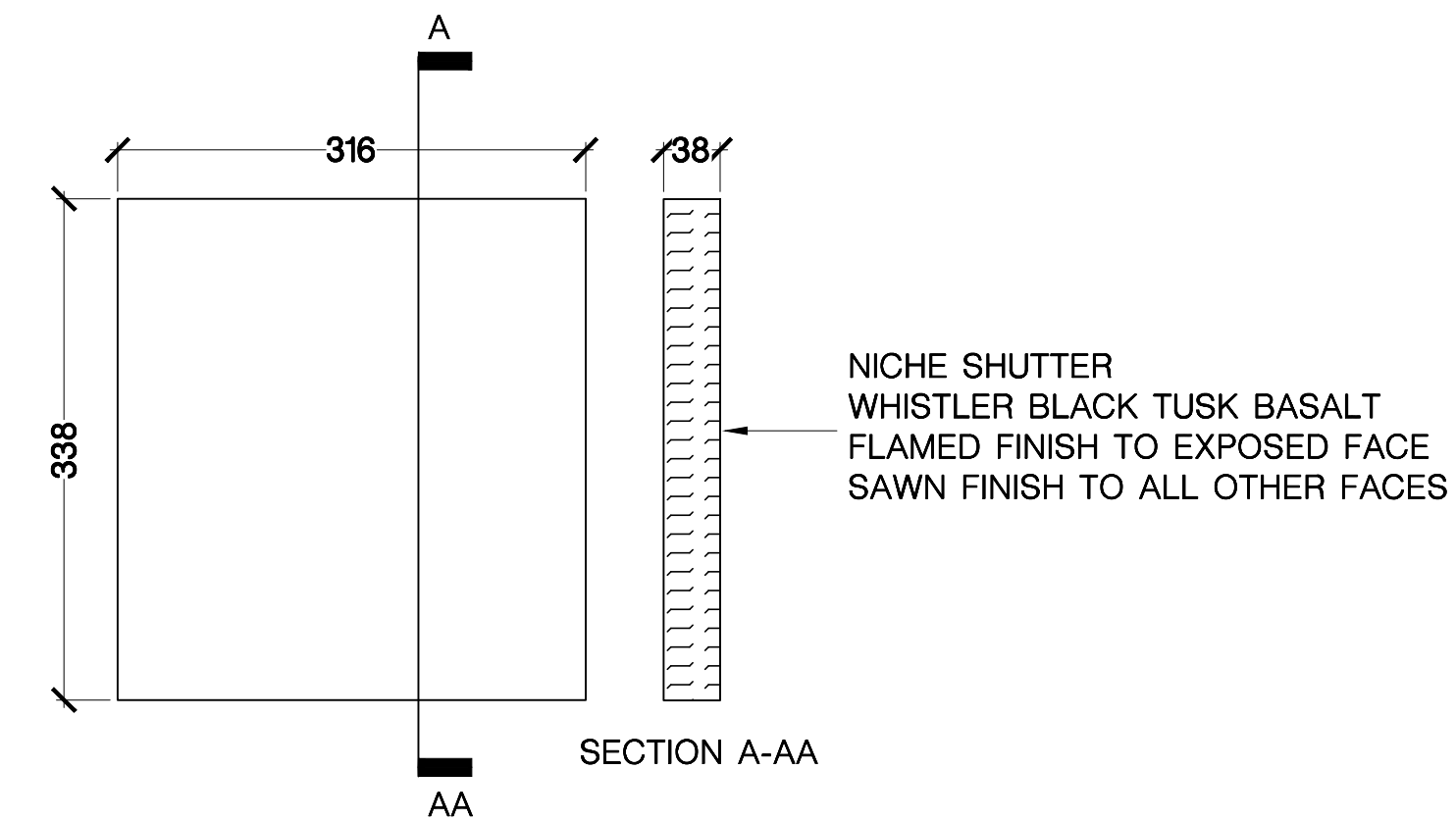
Z:\Active Clients\Public Works and Government Services Canada\17-99\Columbia\Tender\CA16\_CAD\Working Drawings\17-991\_EVC\_Exp\_L3.0 to L3.7\_Columbia\_Details.dwg



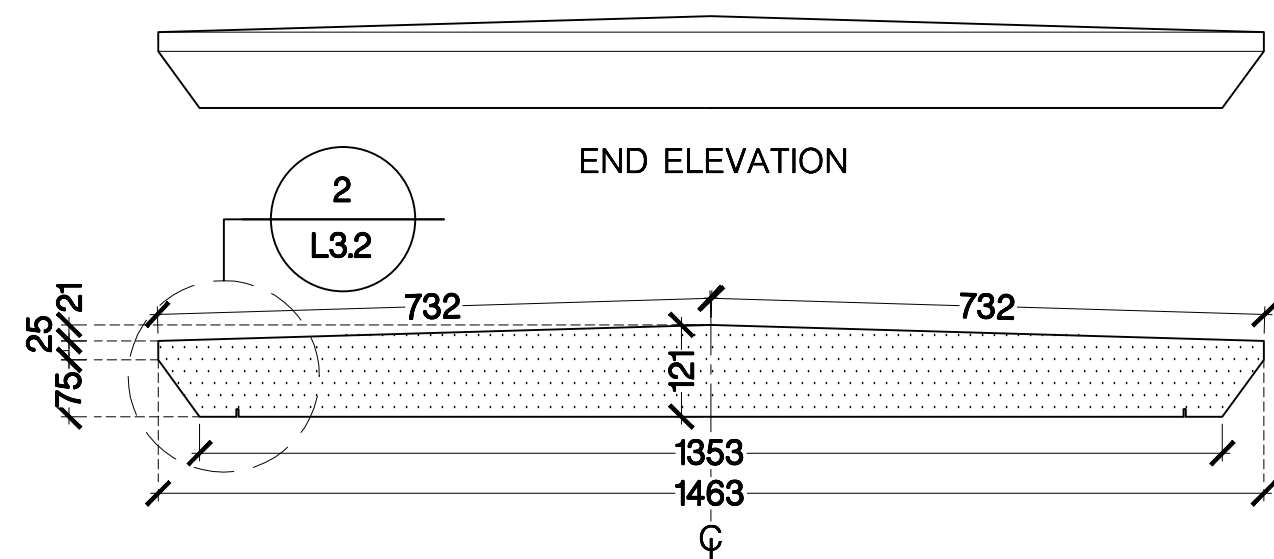
1 CAP - PLAN  
L3.2 SCALE: 120



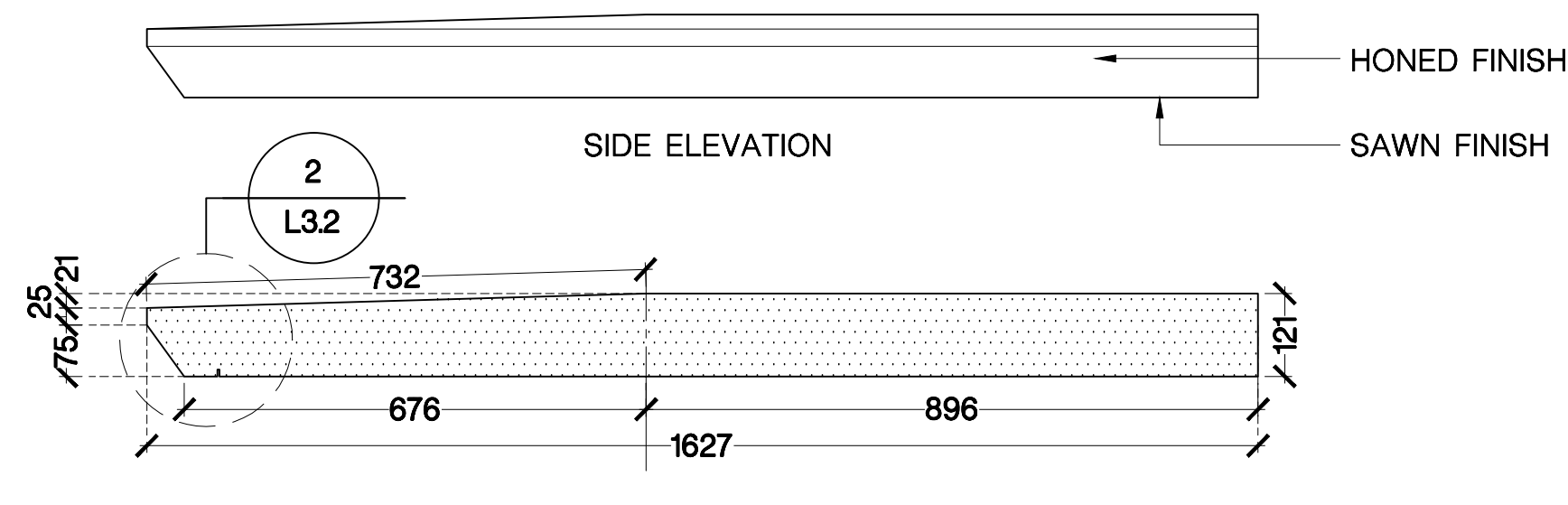
2 CAP SECTION DETAIL  
L3.2 SCALE: 12



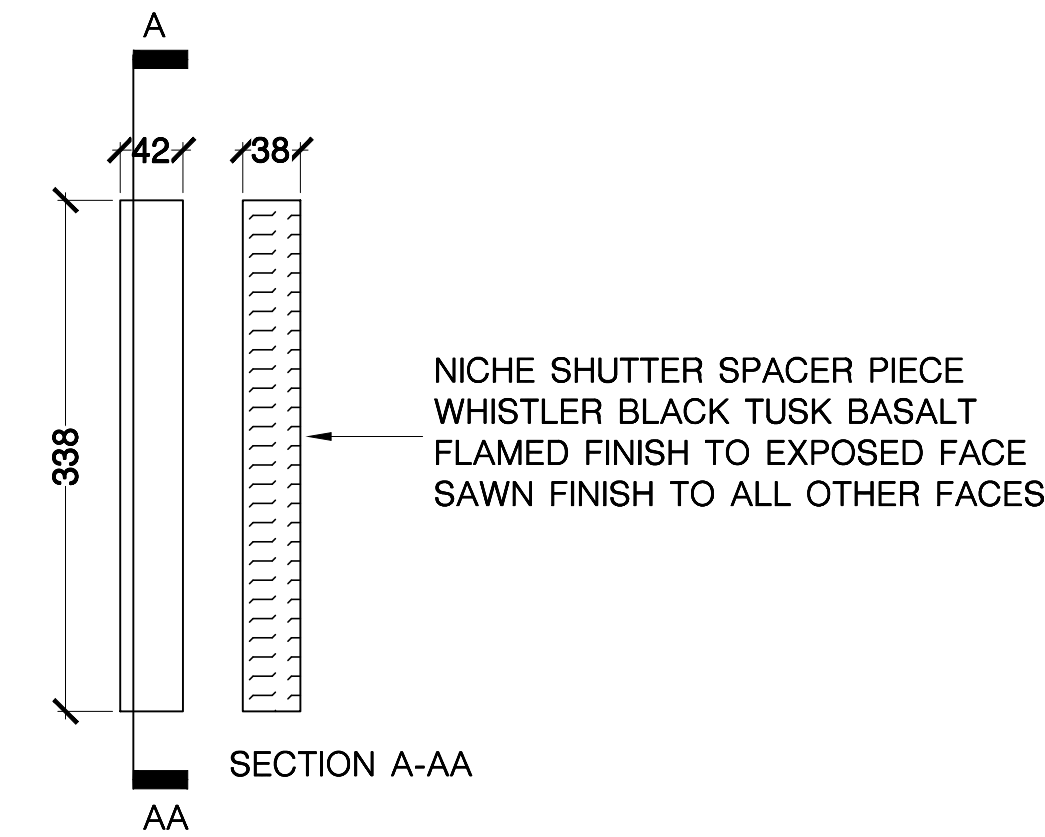
8 NICHE SHUTTER  
L3.2 SCALE: 15



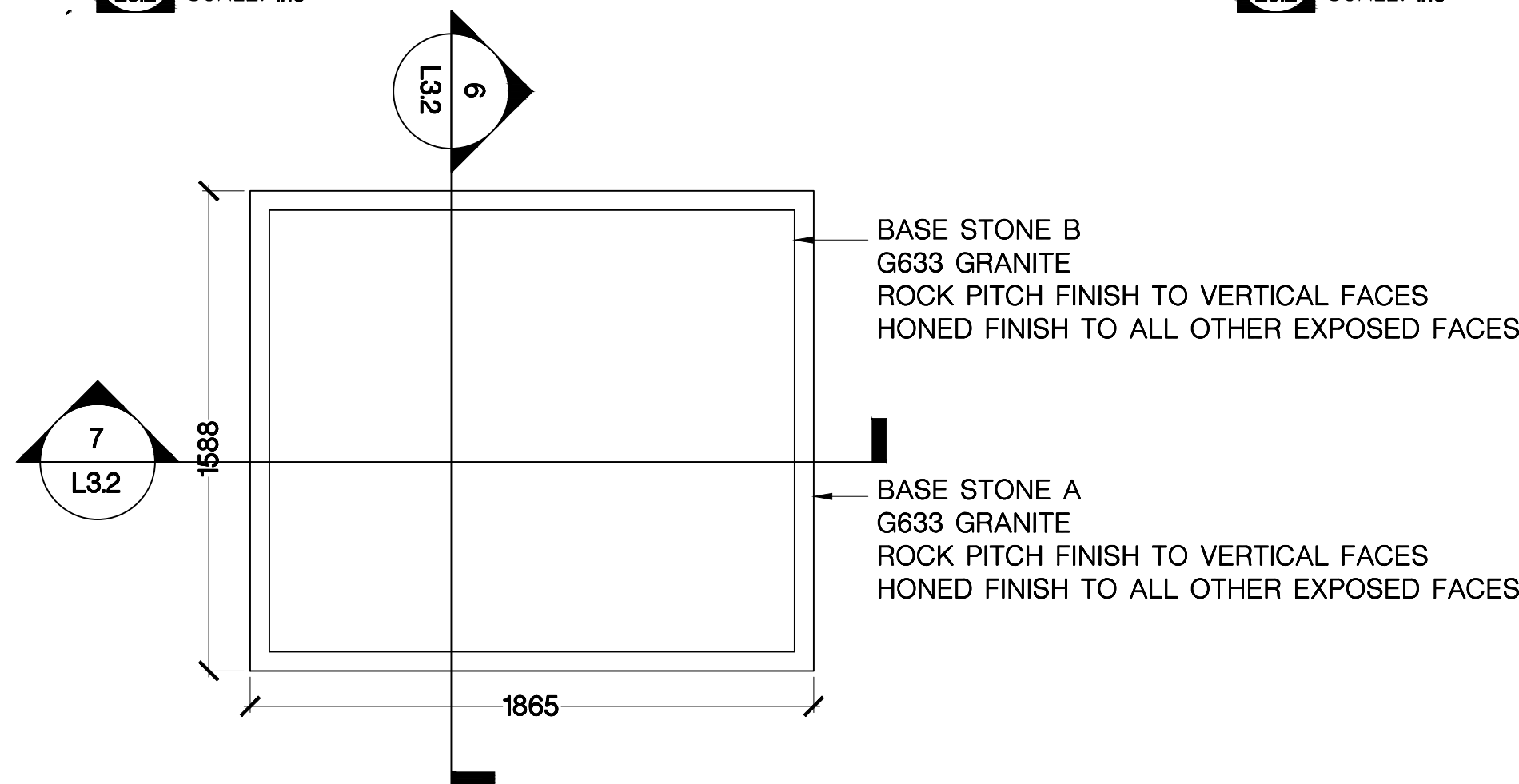
3 CAP - SECTION  
L3.2 SCALE: 110



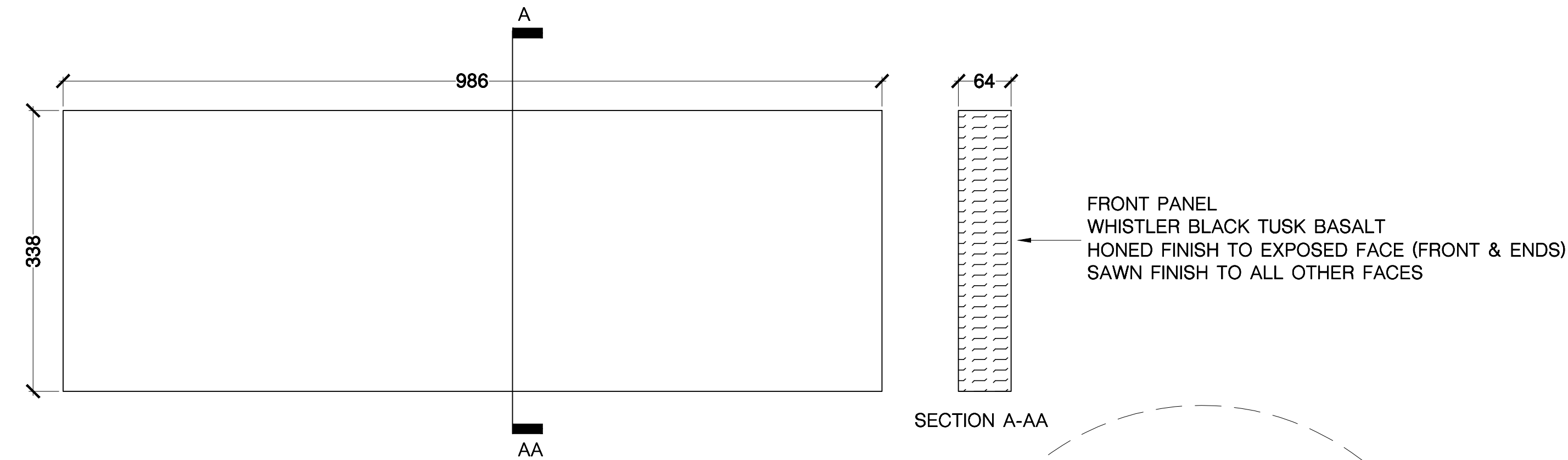
4 CAP - SECTION  
L3.2 SCALE: 110



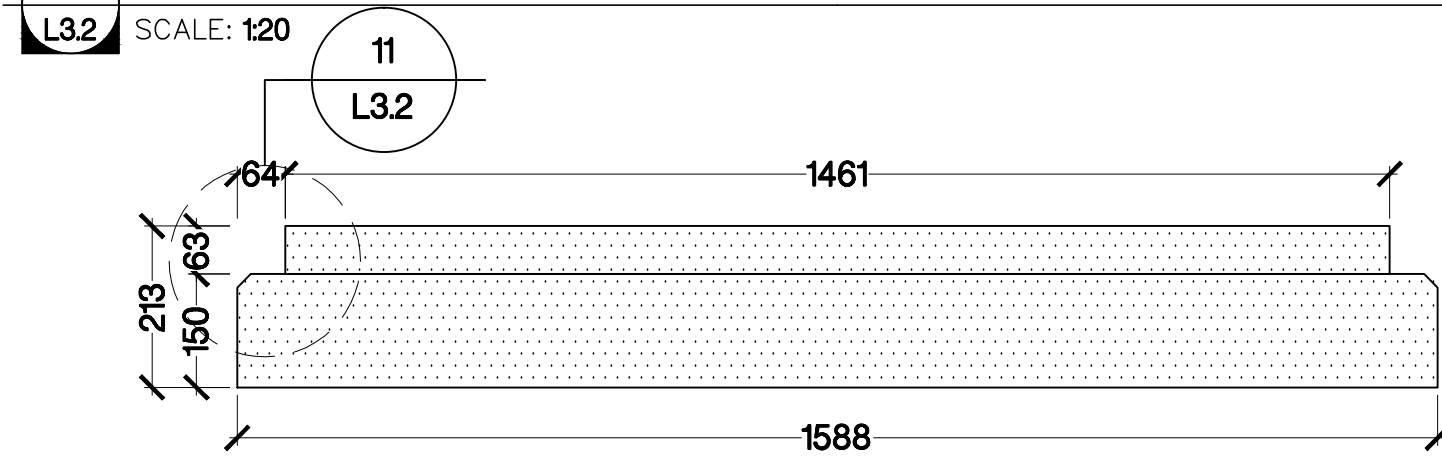
9 NICHE SHUTTER SPACER PIECE  
L3.2 SCALE: 15



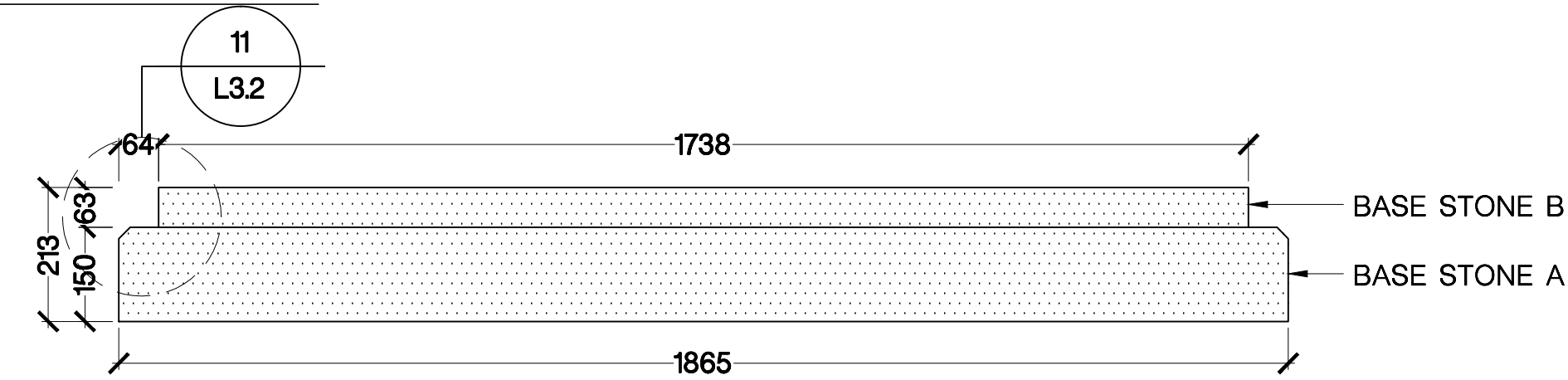
5 BASE - PLAN  
L3.2 SCALE: 120



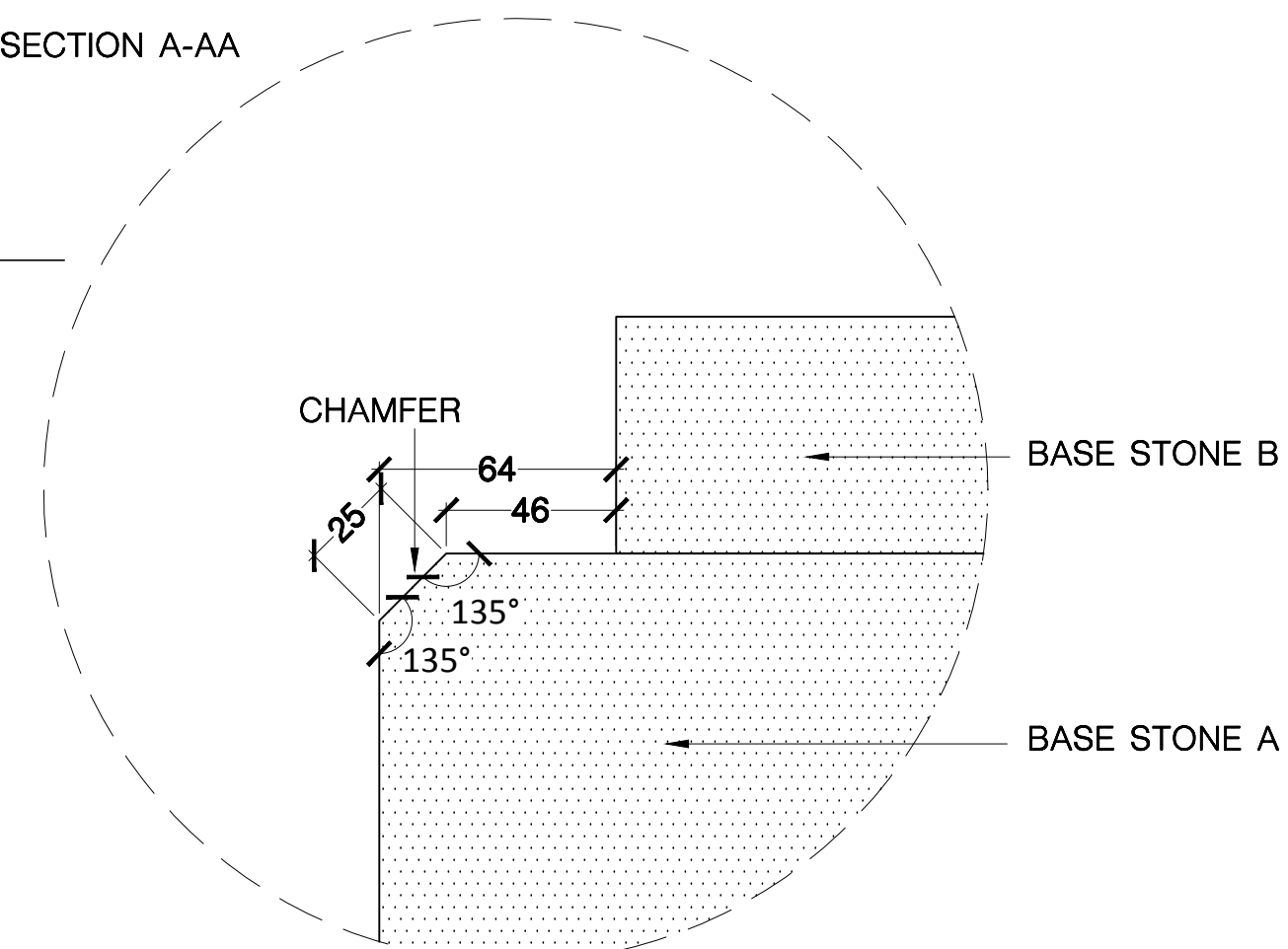
10 FRONT PANEL  
L3.2 SCALE: 15



6 BASE - SECTION  
L3.2 SCALE: 110



7 BASE - SECTION  
L3.2 SCALE: 110



11 BASE - SECTION DETAIL  
L3.2 SCALE: 110

| Revision/Revision | Description/Description    | Date/Date |
|-------------------|----------------------------|-----------|
| 3                 | 100% CONSTRUCTION DRAWINGS | 17/03/16  |
| 2                 | 100% CONSTRUCTION DRAWINGS | 17/03/08  |
| 1                 | 100% CONSTRUCTION DRAWINGS | 17/03/07  |

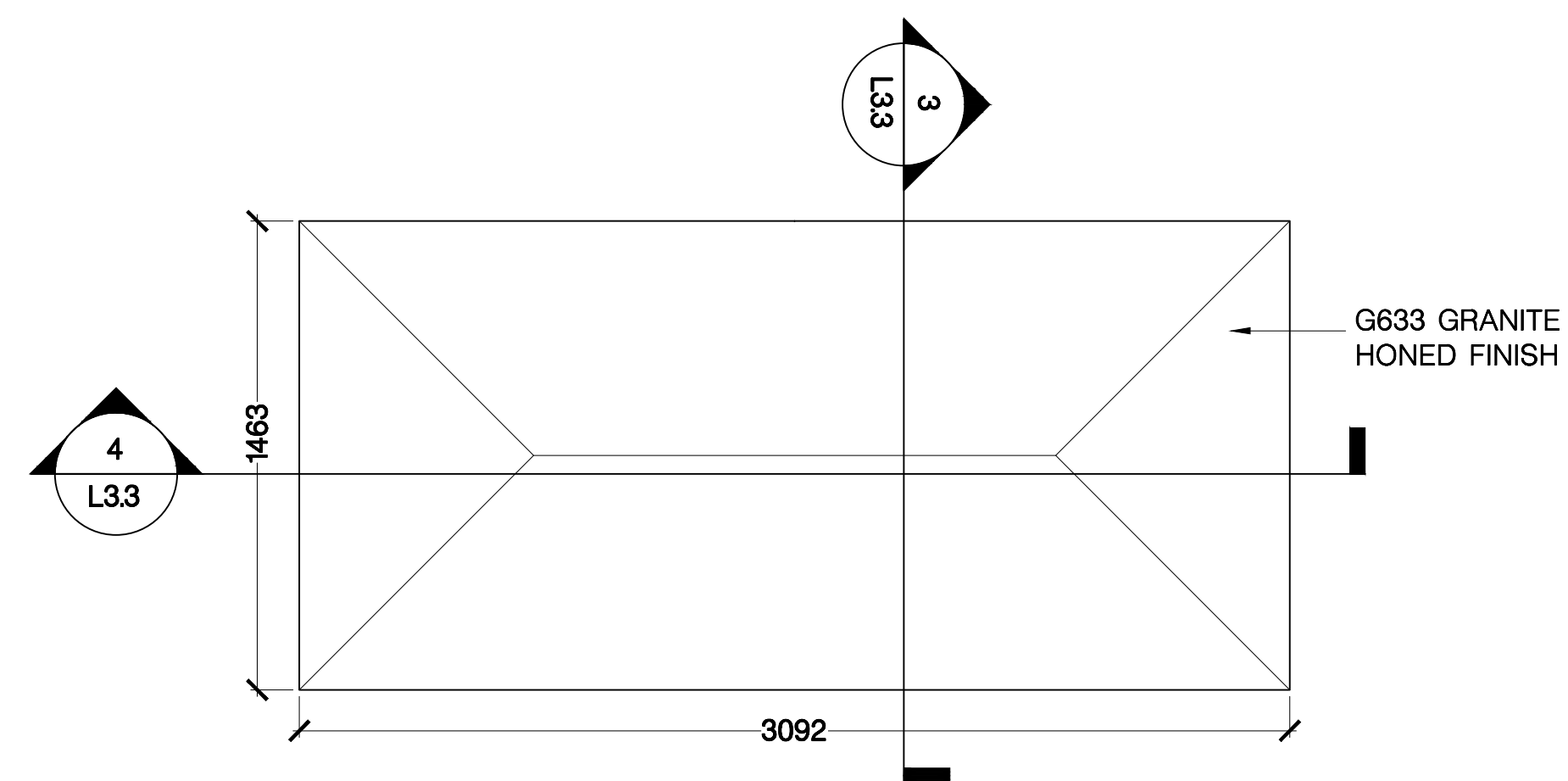
Client/client: Veterans Affairs Canada / Anciens Combattants Canada

Project title/Titre du projet: ESQUIMALT, B.C. VETERANS DRIVE  
ESQUIMALT VETERANS CEMETERY COLUMBARIA

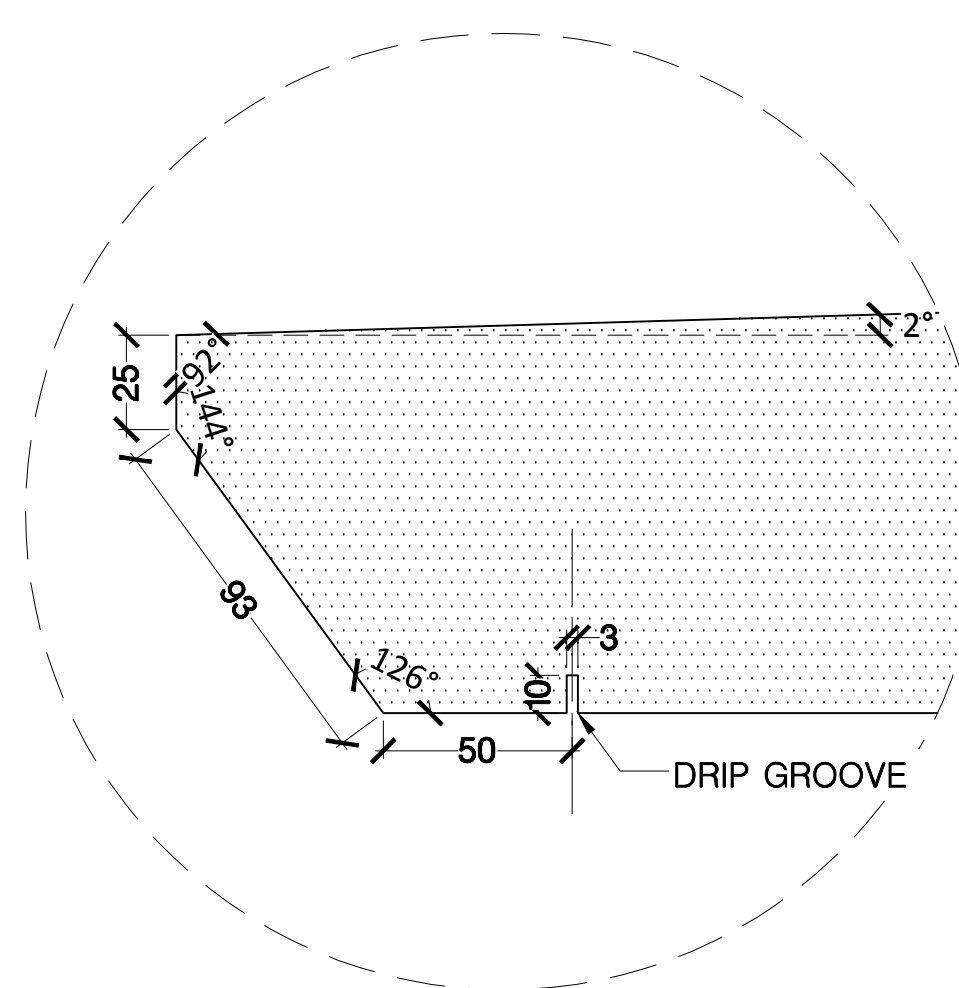
Consultant Signature Box Only  
Designed by/Concept par: LEES + ASSOCIATES  
Drawn by/Dessiné par: LEES + ASSOCIATES / DATE (2017.03.16)  
PWSC Project Manager/Administrateur de Projets TPSGC: REZA HAGHIGHI  
PWSC Regional Manager, Architectural and Engineering Services/Gestionnaire régionale, Services d'architectural et de génie, TPSGC

Drawing title/Titre du dessin: CONSTRUCTION DETAILS 40 NICHE COLUMBARIA STONE ELEMENTS

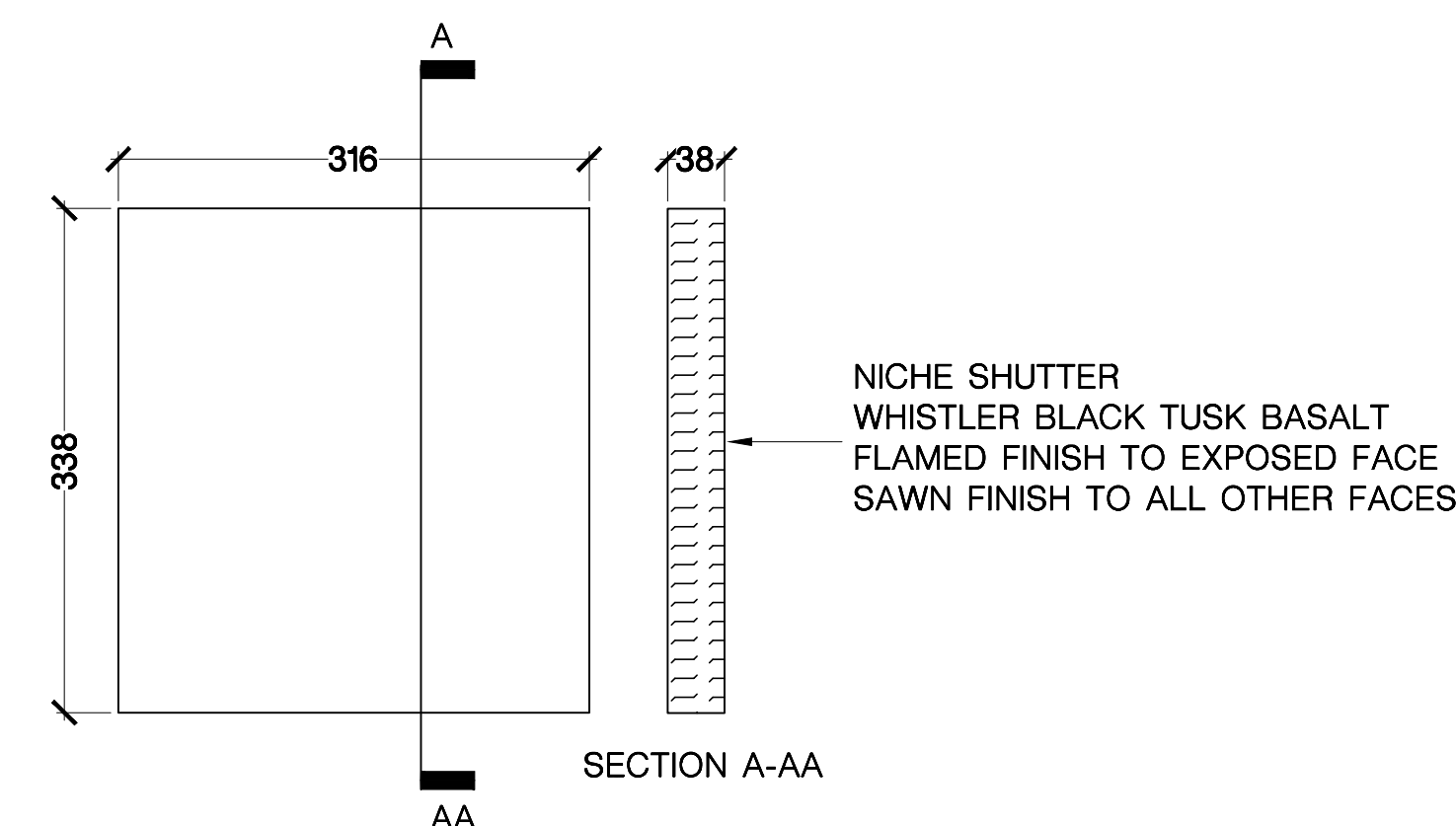
Project No./No. du projet: R.080256.003  
Sheet/Fauille: L3.2  
Revision no./La Révision no.: 3



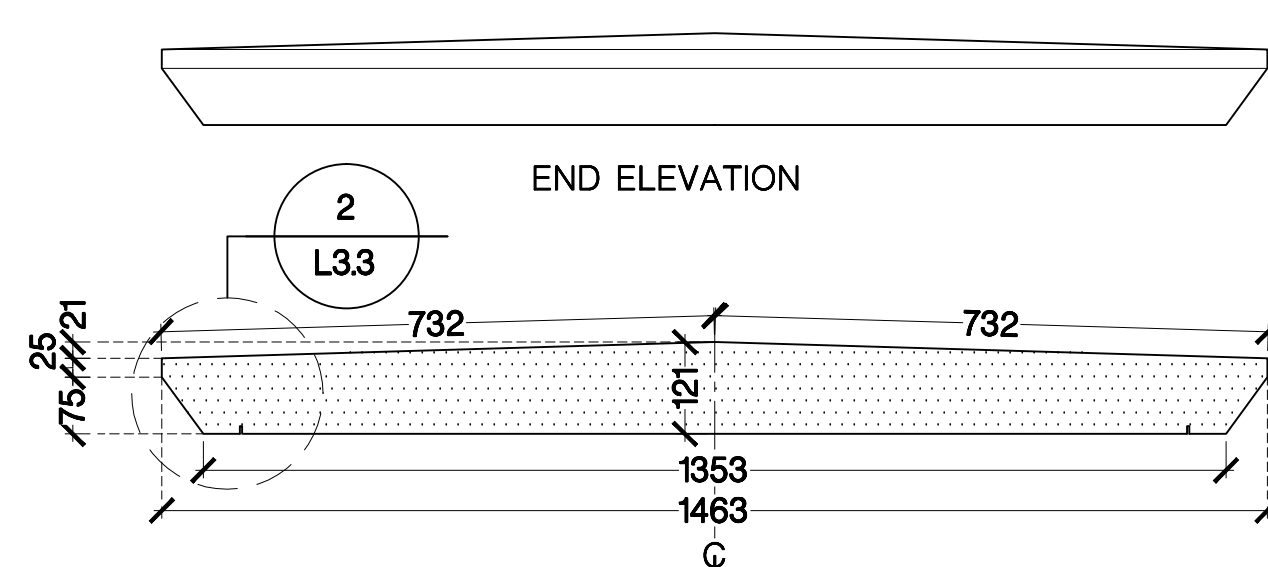
1 CAP - PLAN  
L3.3 SCALE: 120



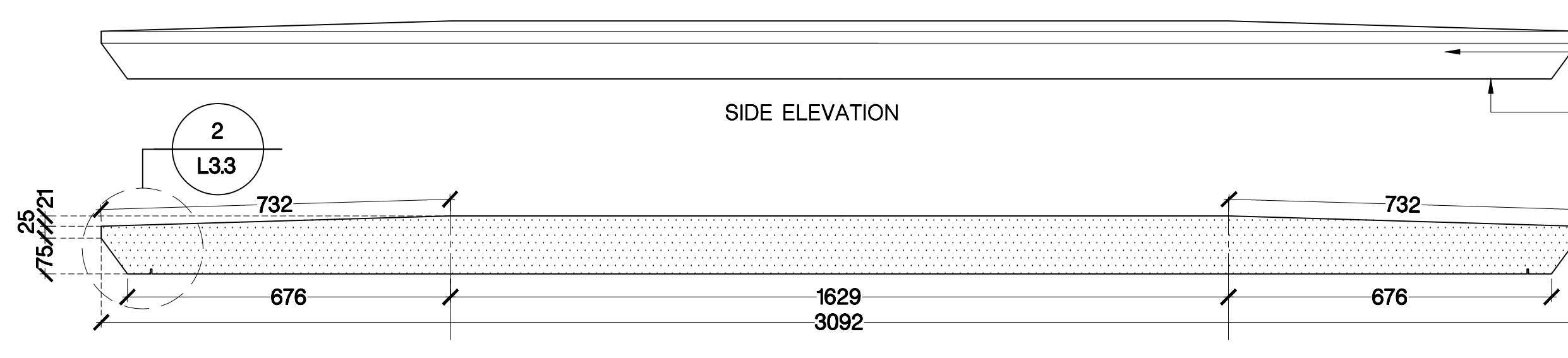
2 CAP SECTION DETAIL  
L3.3 SCALE: 12



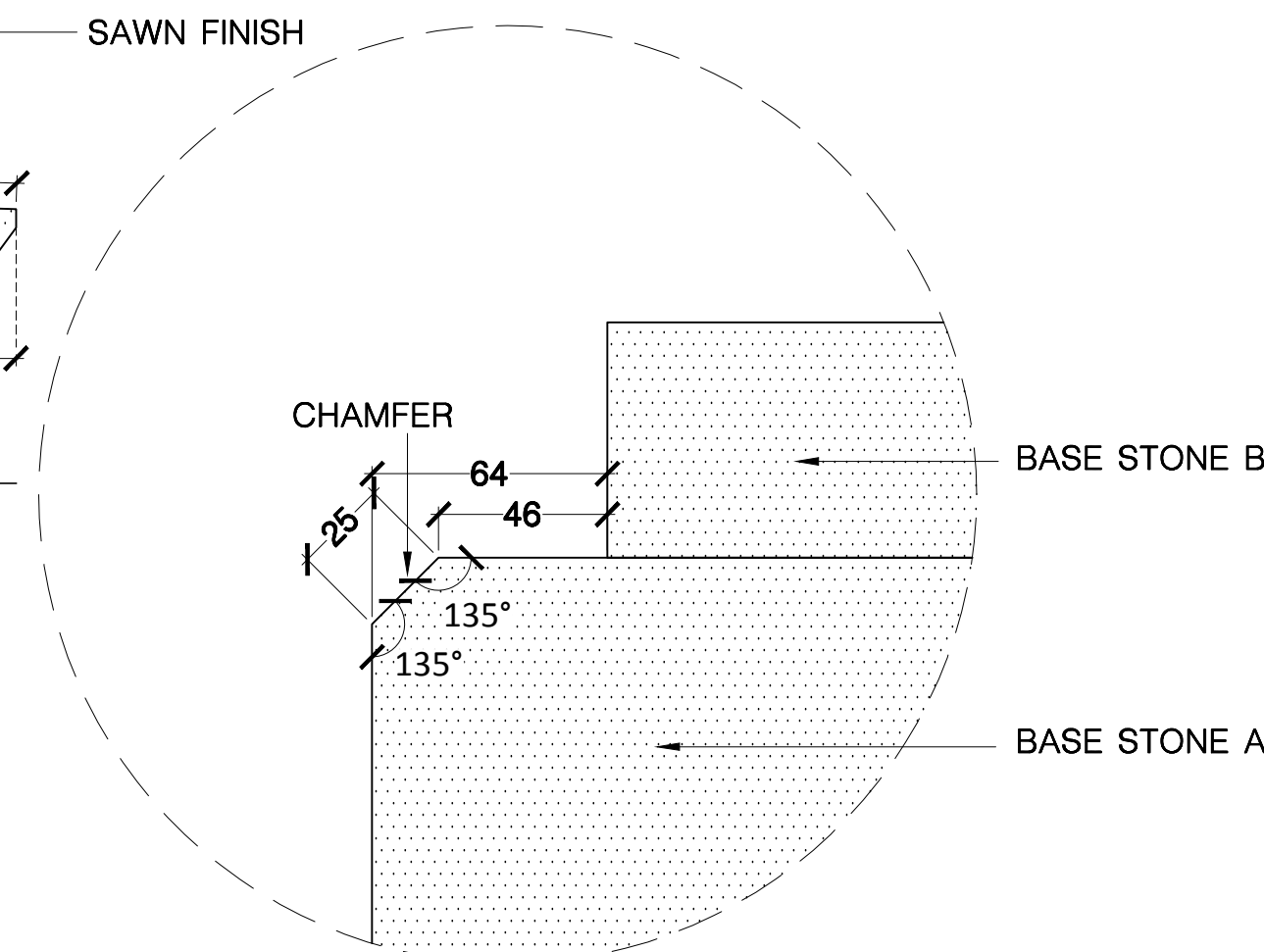
9 NICHE SHUTTER  
L3.3 SCALE: 15



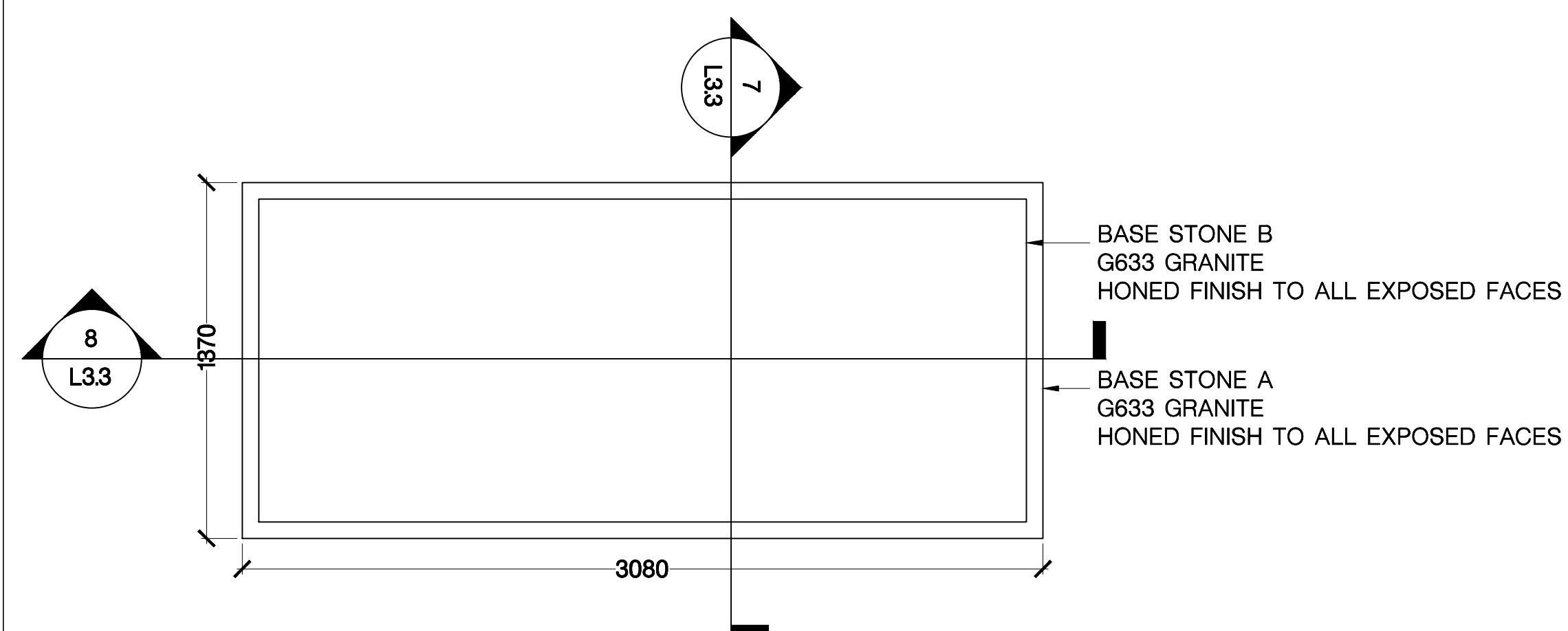
3 CAP - SECTION  
L3.3 SCALE: 110



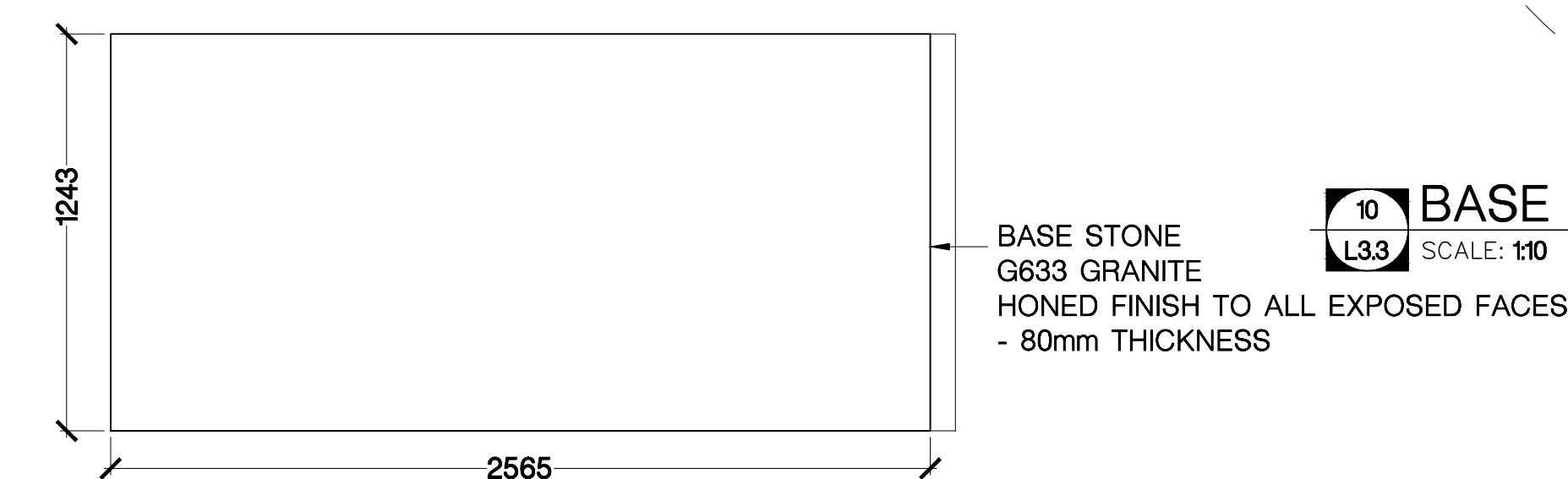
4 CAP - SECTION  
L3.3 SCALE: 110



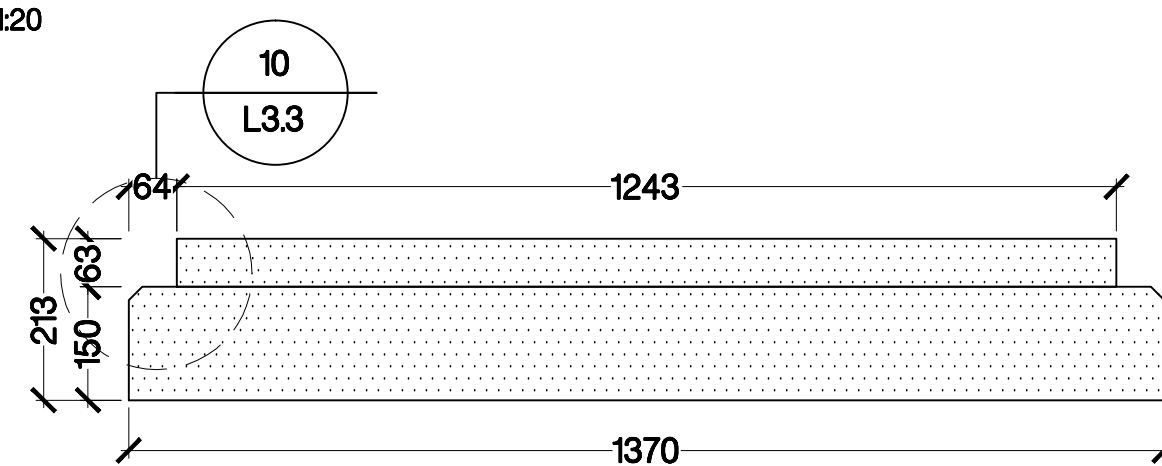
10 BASE - SECTION DETAIL  
L3.3 SCALE: 110



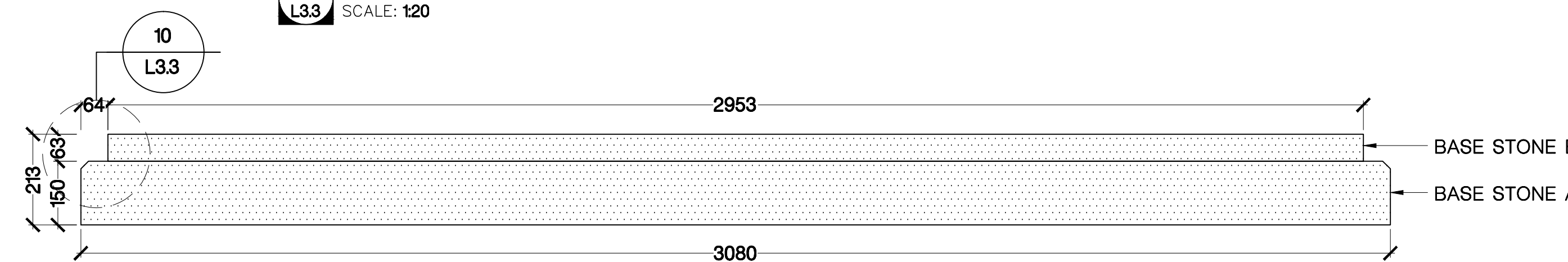
5 BASE - PLAN (80 NICHE COLUMBARIUM ONLY)  
L3.3 SCALE: 120



6 BASE - PLAN (64 NICHE COLUMBARIUM ONLY)  
L3.3 SCALE: 120



7 BASE - SECTION  
L3.3 SCALE: 110



8 BASE - SECTION  
L3.3 SCALE: 110

| Revision/ | Description/Description    | Date/Date |
|-----------|----------------------------|-----------|
| 3         | 100% CONSTRUCTION DRAWINGS | 17/03/16  |
| 2         | 100% CONSTRUCTION DRAWINGS | 17/03/08  |
| 1         | 100% CONSTRUCTION DRAWINGS | 17/03/07  |

Client/client  
**Canada** Veterans Affairs / Anciens Combattants  
 Canada

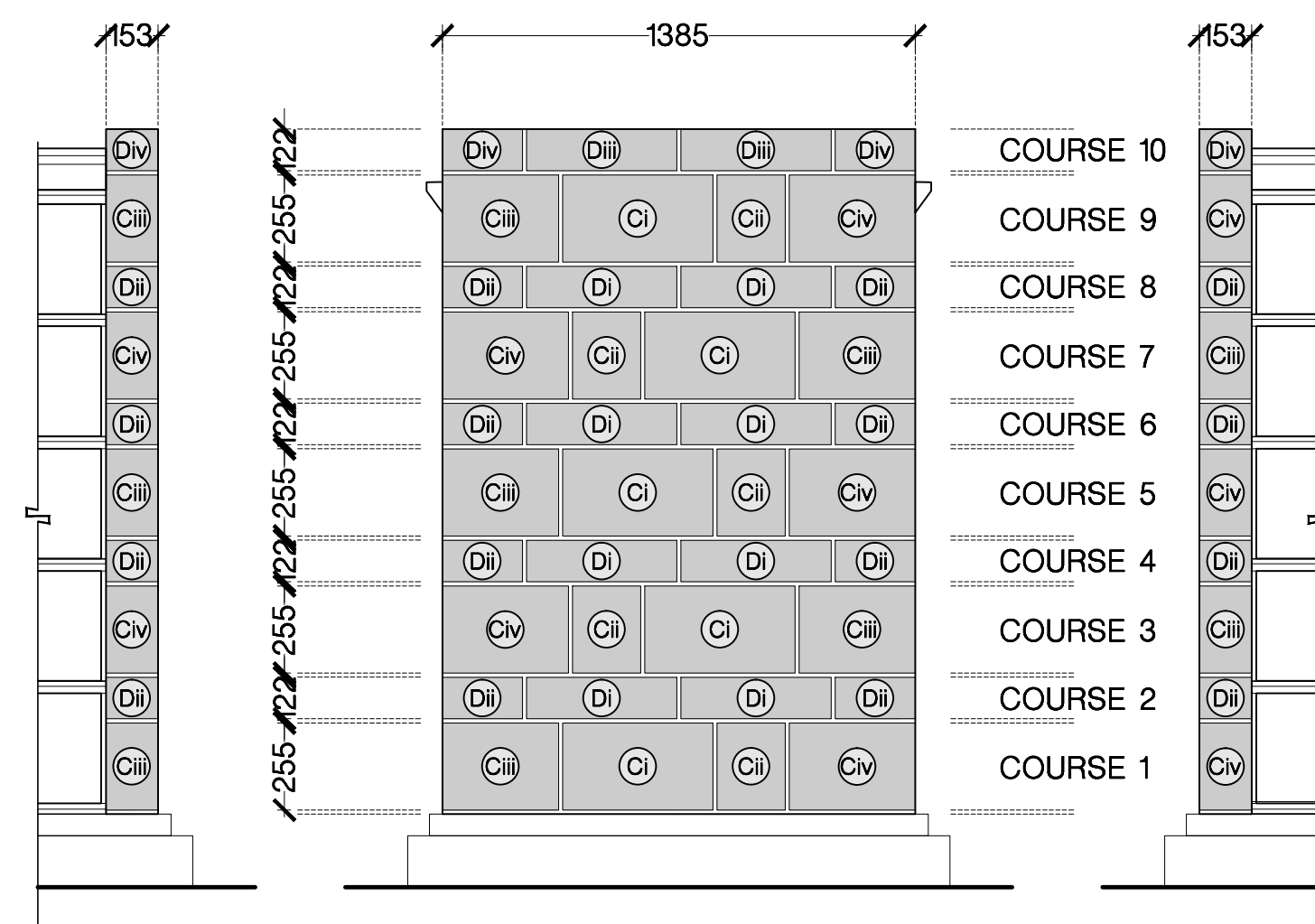
Project title/Titre du projet  
**ESQUIMALT, B.C.  
 VETERANS DRIVE  
 ESQUIMALT VETERANS  
 CEMETERY COLUMBARIA**

Consultant Signature Box Only  
 Designed by/Concept par  
**LEES + ASSOCIATES**  
 Drawn by/Dessiné par  
**LEES + ASSOCIATES / DATE (2017.03.16)**  
 PWGSC Project Manager/Administrateur de Projets TPSGC  
**REZA HAGHIGHI**  
 PWGSC, Regional Manager, Architectural and Engineering Services/  
 Gestionnaire régionale, Services d'architectural et de génie, TPSGC

Drawing title/Titre du dessin  
**CONSTRUCTION DETAILS  
 64 AND 80 NICHE COLUMBARIA  
 STONE ELEMENTS**

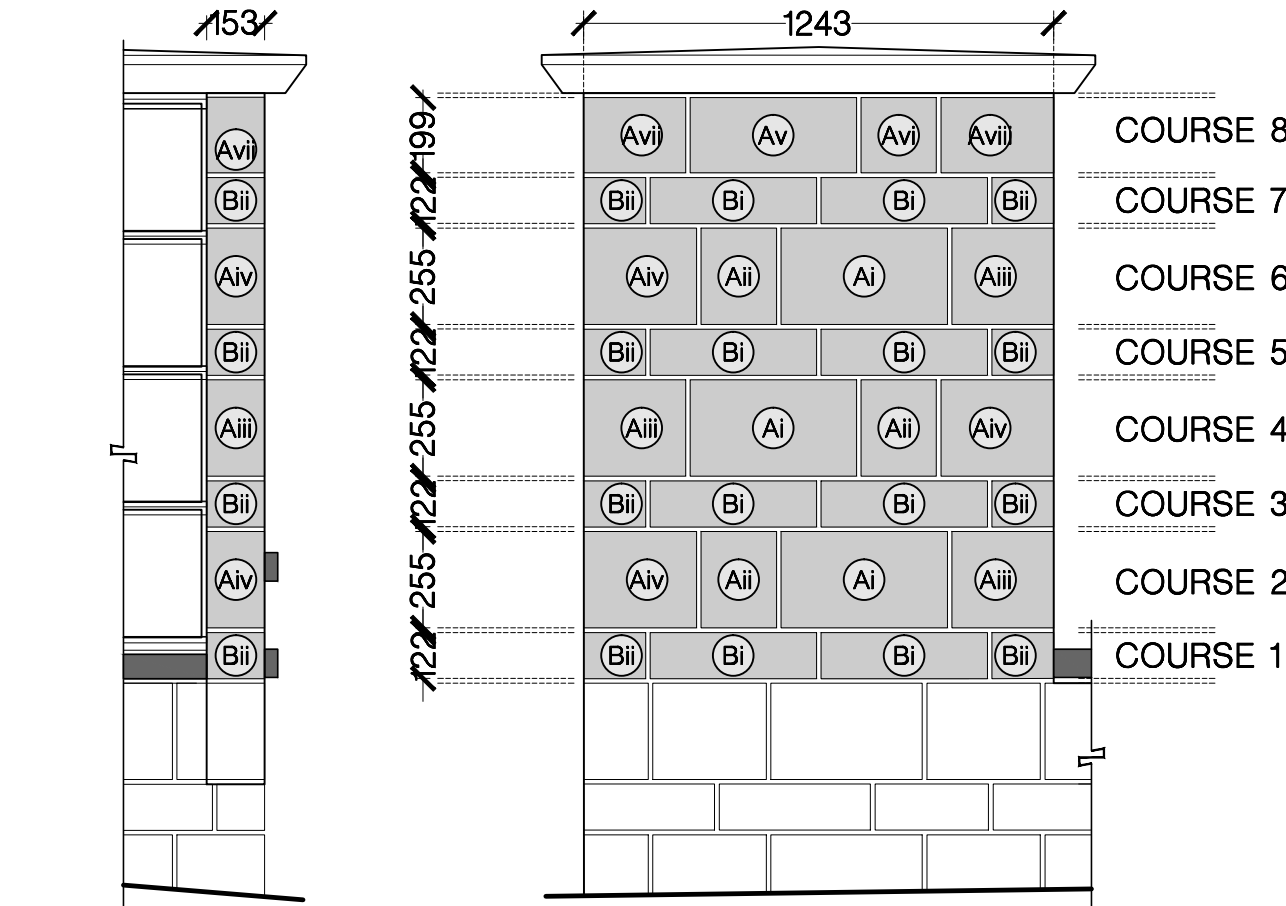
Project No./No. du projet  
**R.080256.003.**  
 Sheet/Feuille  
**L3.3**  
 7 OF 11  
 Revision no./  
 La Révision  
 no.  
**3**

Z:\Active Clients\Public Works and Government Services Canada\17-99\Columbaria\Tender\CA16\_CAD\Working Drawings\17-991\_EVC\_Exp\_L3.0 to L3.7\_Columbaria\_Details.dwg



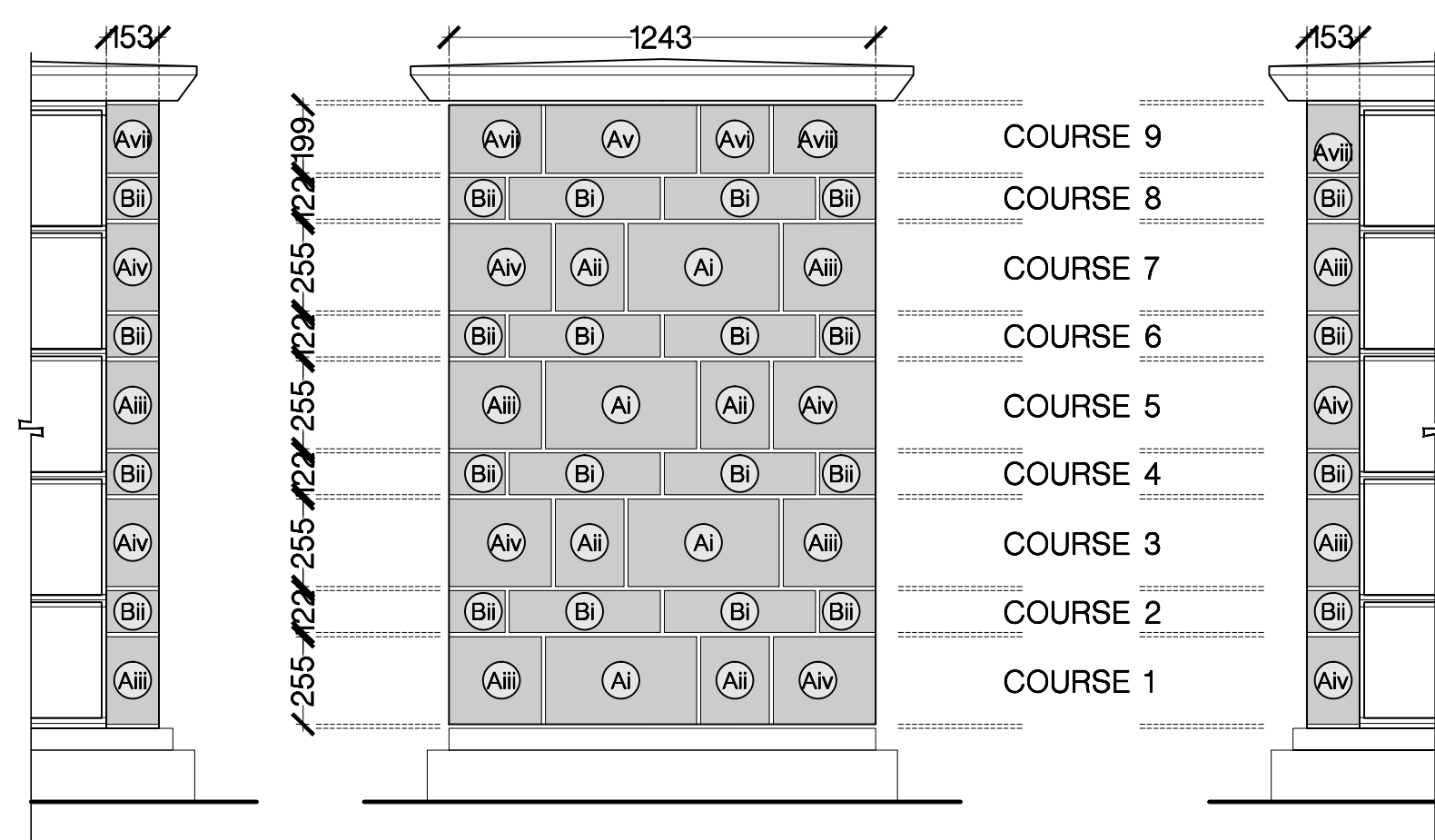
1 40 NICHE COLUMBARIUM - END WALLS

L3.4 SCALE: 120



2 64 NICHE COLUMBARIUM - END WALLS

L3.4 SCALE: 120



3 80 NICHE COLUMBARIUM - END WALLS

L3.4 SCALE: 120

| STONE SCHEDULE - 64 NICHE COLUMBARIUM |                            |                 |        |       |           |   |
|---------------------------------------|----------------------------|-----------------|--------|-------|-----------|---|
| REF.                                  | MATERIAL                   | (COURSE) HEIGHT | LENGTH | WIDTH | THICKNESS | FINISH/NOTES  |
| CAP                                   |                            |                 |        |       |           |   |
| -                                     | G633 GRANITE               | -               | 3092   | 1463  | 121       | HONED FINISH TO ALL EXPOSED FACES<br>SAWN FINISH TO SIDE FACING NICHE UNITS AND END WALL  |
| BASE                                  |                            |                 |        |       |           |   |
| -                                     | G633 GRANITE               | -               | 2565   | 1243  | 80        | HONED FINISH TO ALL EXPOSED FACES   |
| NICHE SHUTTER                         |                            |                 |        |       |           |   |
| -                                     | WHISTLER BLACK TUSK BASALT | -               | 338    | 316   | 38        | HONED FINISH TO EXPOSED FACE<br>SAWN FINISH TO ALL OTHER FACES                            |
| END WALL GRANITE BLOCKS               |                            |                 |        |       |           |   |
| (Ai)                                  | G633 GRANITE               | 255             | -      | 440   | 153       | OUTER FACE - ROCK PITCH, ALL OTHER SIDES - SAWN   |
| (Aii)                                 | G633 GRANITE               | 255             | -      | 200   | 153       | OUTER FACE - ROCK PITCH, ALL OTHER SIDES - SAWN   |
| (Aiii)                                | G633 GRANITE               | 255             | -      | 269   | 153       | OUTER & END SIDE - ROCK PITCH, ALL OTHER SIDES - SAWN (INCLUDING SIDE FACING NICHE UNITS) |
| (Aiv)                                 | G633 GRANITE               | 255             | -      | 298   | 153       | OUTER & END SIDE - ROCK PITCH, ALL OTHER SIDES - SAWN (INCLUDING SIDE FACING NICHE UNITS) |
| (Av)                                  | G633 GRANITE               | 199             | -      | 440   | 153       | OUTER FACE - ROCK PITCH, ALL OTHER SIDES - SAWN   |
| (Avi)                                 | G633 GRANITE               | 199             | -      | 200   | 153       | OUTER FACE - ROCK PITCH, ALL OTHER SIDES - SAWN   |
| (Avii)                                | G633 GRANITE               | 199             | -      | 269   | 153       | OUTER & END SIDE - ROCK PITCH, ALL OTHER SIDES - SAWN (INCLUDING SIDE FACING NICHE UNITS) |
| (Aviii)                               | G633 GRANITE               | 199             | -      | 298   | 153       | OUTER & END SIDE - ROCK PITCH, ALL OTHER SIDES - SAWN (INCLUDING SIDE FACING NICHE UNITS) |
| (Bi)                                  | G633 GRANITE               | 122             | -      | 440   | 153       | OUTER FACE - ROCK PITCH, ALL OTHER SIDES - SAWN   |
| (Bii)                                 | G633 GRANITE               | 122             | -      | 163   | 153       | OUTER & END SIDE - ROCK PITCH, ALL OTHER SIDES - SAWN (INCLUDING SIDE FACING NICHE UNITS) |

5 STONE SCHEDULE - 64 NICHE COLUMBARIUM

L3.4 SCALE: Not to Scale

| STONE SCHEDULE - 40 NICHE COLUMBARIUM |                            |                 |        |       |           |   |
|---------------------------------------|----------------------------|-----------------|--------|-------|-----------|---|
| REF.                                  | MATERIAL                   | (COURSE) HEIGHT | LENGTH | WIDTH | THICKNESS | FINISH/NOTES  |
| CAP                                   |                            |                 |        |       |           |   |
| -                                     | G633 GRANITE               | -               | 1627   | 1463  | 121       | HONED FINISH TO ALL EXPOSED FACES<br>SAWN FINISH TO SIDE FACING NICHE UNITS AND END WALL    |
| BASE                                  |                            |                 |        |       |           |   |
| STONE A                               | G633 GRANITE               | -               | 1865   | 1588  | 150       | ROCK PITCH FINISH TO VERTICAL FACES<br>HONED FINISH TO ALL OTHER EXPOSED FACES              |
| STONE B                               | G633 GRANITE               | -               | 1738   | 1461  | 63        | ROCK PITCH FINISH TO VERTICAL FACES<br>HONED FINISH TO ALL OTHER EXPOSED FACES              |
| NICHE SHUTTER                         |                            |                 |        |       |           |   |
| -                                     | WHISTLER BLACK TUSK BASALT | -               | 338    | 316   | 38        | FLAMED FINISH TO EXPOSED FACE<br>SAWN FINISH TO ALL OTHER FACES                             |
| NICHE SHUTTER SPACER PIECE            |                            |                 |        |       |           |   |
| -                                     | WHISTLER BLACK TUSK BASALT | -               | 338    | 42    | 38        | FLAMED FINISH TO EXPOSED FACE<br>SAWN FINISH TO ALL OTHER FACES                             |
| FRONT PANEL                           |                            |                 |        |       |           |   |
| -                                     | WHISTLER BLACK TUSK BASALT | -               | 338    | 986   | 64        | HONED FINISH TO EXPOSED FACE (FRONT & ENDS)<br>SAWN FINISH TO ALL OTHER FACES               |
| END WALL GRANITE BLOCKS               |                            |                 |        |       |           |   |
| (Ci)                                  | G633 GRANITE               | 255             | -      | 440   | 180       | OUTER FACE - ROCK PITCH, ALL OTHER SIDES - SAWN   |
| (Cii)                                 | G633 GRANITE               | 255             | -      | 200   | 180       | OUTER FACE - ROCK PITCH, ALL OTHER SIDES - SAWN   |
| (Ciii)                                | G633 GRANITE               | 255             | -      | 340   | 180       | OUTER & END SIDE - ROCK PITCH, GROUTED SIDES - SAWN, SIDE FACING NICHE UNITS - FLAMED       |
| (Civ)                                 | G633 GRANITE               | 255             | -      | 370   | 180       | OUTER & END SIDE - ROCK PITCH, GROUTED SIDES - SAWN, SIDE FACING NICHE UNITS - FLAMED       |
| (Di)                                  | G633 GRANITE               | 122             | -      | 440   | 180       | OUTER FACE - ROCK PITCH, ALL OTHER SIDES - SAWN   |
| (Dii)                                 | G633 GRANITE               | 122             | -      | 200   | 180       | OUTER & END SIDE - ROCK PITCH, GROUTED SIDES - SAWN, SIDE FACING NICHE UNITS - FLAMED       |
| (Diii)                                | G633 GRANITE               | 122             | -      | 440   | 180       | END & TOP SIDE - ROCK PITCH, GROUTED SIDES - SAWN, SIDE FACING NICHE UNITS - FLAMED         |
| (Div)                                 | G633 GRANITE               | 122             | -      | 234   | 180       | OUTER, END & TOP SIDES - ROCK PITCH, GROUTED SIDES - SAWN, SIDE FACING NICHE UNITS - FLAMED |

4 STONE SCHEDULE - 40 NICHE COLUMBARIUM

L3.4 SCALE: Not to Scale

STONE SCHEDULE NOTES:  
- ALL DIMENSIONS SHOWN ARE IN MILLIMETRES (MM).  
- DIMENSIONS ARE OVERALL ONLY.  
- DIMENSIONS EXCLUDE GROUT.

| STONE SCHEDULE - 80 NICHE COLUMBARIUM |                            |                 |        |       |           |   |
|---------------------------------------|----------------------------|-----------------|--------|-------|-----------|---|
| REF.                                  | MATERIAL                   | (COURSE) HEIGHT | LENGTH | WIDTH | THICKNESS | FINISH/NOTES  |
| CAP                                   |                            |                 |        |       |           |   |
| -                                     | G633 GRANITE               | -               | 3092   | 1463  | 121       | HONED FINISH TO ALL EXPOSED FACES<br>SAWN FINISH TO SIDE FACING NICHE UNITS AND END WALL  |
| BASE                                  |                            |                 |        |       |           |   |
| STONE A                               | G633 GRANITE               | -               | 3080   | 1370  | 150       | HONED FINISH TO ALL EXPOSED FACES   |
| STONE B                               | G633 GRANITE               | -               | 2953   | 1243  | 63        | HONED FINISH TO ALL EXPOSED FACES   |
| NICHE SHUTTER                         |                            |                 |        |       |           |   |
| -                                     | WHISTLER BLACK TUSK BASALT | -               | 338    | 316   | 38        | HONED FINISH TO EXPOSED FACE<br>SAWN FINISH TO ALL OTHER FACES                            |
| END WALL GRANITE BLOCKS               |                            |                 |        |       |           |   |
| (Ai)                                  | G633 GRANITE               | 255             | -      | 440   | 153       | OUTER FACE - ROCK PITCH, ALL OTHER SIDES - SAWN   |
| (Aii)                                 | G633 GRANITE               | 255             | -      | 200   | 153       | OUTER FACE - ROCK PITCH, ALL OTHER SIDES - SAWN   |
| (Aiii)                                | G633 GRANITE               | 255             | -      | 269   | 153       | OUTER & END SIDE - ROCK PITCH, ALL OTHER SIDES - SAWN (INCLUDING SIDE FACING NICHE UNITS) |
| (Aiv)                                 | G633 GRANITE               | 255             | -      | 298   | 153       | OUTER & END SIDE - ROCK PITCH, ALL OTHER SIDES - SAWN (INCLUDING SIDE FACING NICHE UNITS) |
| (Av)                                  | G633 GRANITE               | 199             | -      | 440   | 153       | OUTER FACE - ROCK PITCH, ALL OTHER SIDES - SAWN   |
| (Avi)                                 | G633 GRANITE               | 199             | -      | 200   | 153       | OUTER FACE - ROCK PITCH, ALL OTHER SIDES - SAWN   |
| (Avii)                                | G633 GRANITE               | 199             | -      | 269   | 153       | OUTER & END SIDE - ROCK PITCH, ALL OTHER SIDES - SAWN (INCLUDING SIDE FACING NICHE UNITS) |
| (Aviii)                               | G633 GRANITE               | 199             | -      | 298   | 153       | OUTER & END SIDE - ROCK PITCH, ALL OTHER SIDES - SAWN (INCLUDING SIDE FACING NICHE UNITS) |
| (Bi)                                  | G633 GRANITE               | 122             | -      | 440   | 153       | OUTER FACE - ROCK PITCH, ALL OTHER SIDES - SAWN   |
| (Bii)                                 | G633 GRANITE               | 122             | -      | 163   | 153       | OUTER & END SIDE - ROCK PITCH, ALL OTHER SIDES - SAWN (INCLUDING SIDE FACING NICHE UNITS) |

6 STONE SCHEDULE - 80 NICHE COLUMBARIUM

L3.4 SCALE: Not to Scale

Z:\Active Clients\Public Works and Government Services Canada\17-99\ColumbariaTender\CA16\_CAD\Working Drawings\17-991\_EVC\_Exp\_L3.0 to L3.7\_Columbaria\_Details.dwg

| Revision/ | Description/Description    | Date/Date |
|-----------|----------------------------|-----------|
| 3         | 100% CONSTRUCTION DRAWINGS | 17/03/16  |
| 2         | 100% CONSTRUCTION DRAWINGS | 17/03/08  |
| 1         | 100% CONSTRUCTION DRAWINGS | 17/03/07  |

Client/client: Veterans Affairs Canada / Anciens Combattants Canada

Project title/Titre du projet: ESQUIMALT, B.C. VETERANS DRIVE ESQUIMALT VETERANS CEMETERY COLUMBARIA

Consultant Signature Box Only

Designed by/Concept par: LEES + ASSOCIATES

Drawn by/Dessiné par: LEES + ASSOCIATES / DATE (2017.03.16)

PWOSC Project Manager/Administrateur de Projets TPSGC: REZA HAGHIGHI

PWOSC Regional Manager, Architectural and Engineering Services/Gestionnaire régionale, Services d'architecture et de génie, TPSGC

Drawing title/Titre du dessin: CONSTRUCTION DETAILS END WALLS AND STONE SCHEDULES

Project No./No. du projet: R.080256.003

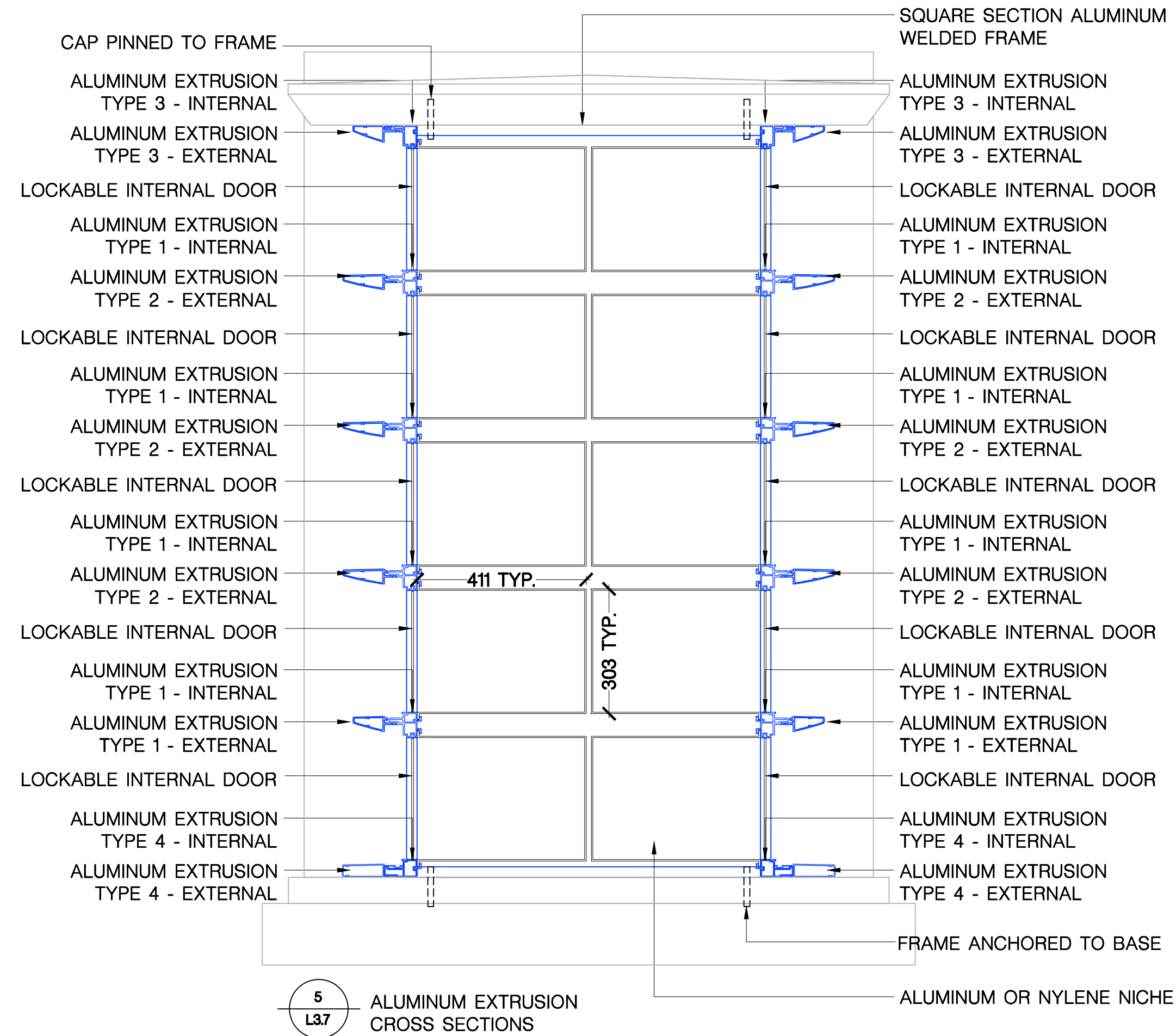
Sheet/Feuille: L3.4

Revision no./La Révision no.: 3

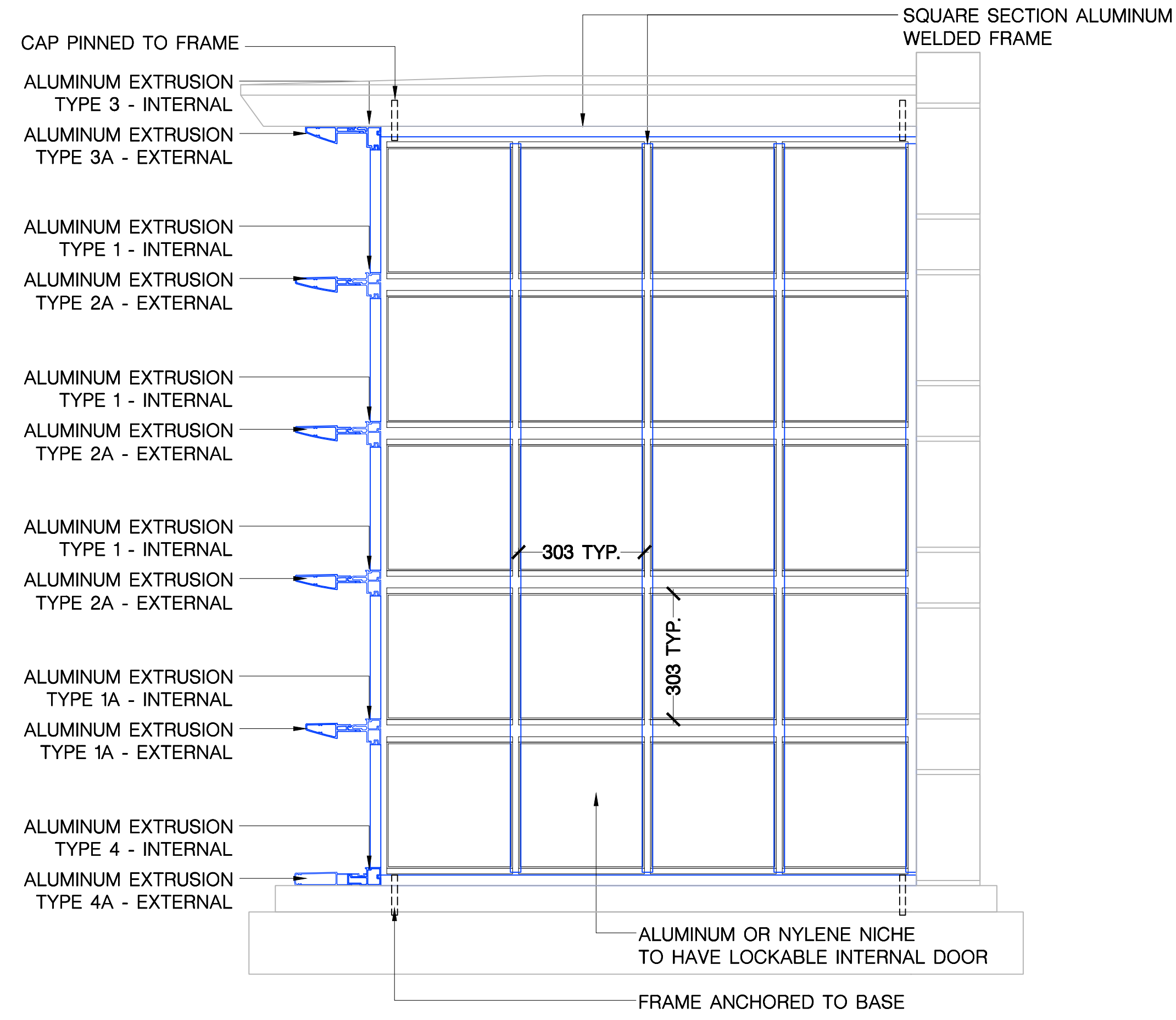
8 OF 11



Z:\Active Clients\Public Works and Government Services Canada\17-99\Columbaria\Tender\CA16\_CAD\Working Drawings\17-991\_EVC\_Exp\_L3.0 to L3.7\_Columbaria\_Details.dwg



1 SECTION  
L3.5 SCALE: 1:10



2 CROSS SECTION  
L3.5 SCALE: 1:10

| Revision/Revision | Description/Description    | Date/Date |
|-------------------|----------------------------|-----------|
| 3                 | 100% CONSTRUCTION DRAWINGS | 17/03/16  |
| 2                 | 100% CONSTRUCTION DRAWINGS | 17/03/08  |
| 1                 | 100% CONSTRUCTION DRAWINGS | 17/03/07  |

Client/client  
 Veterans Affairs Canada / Anciens Combattants Canada

Project title/Titre du projet  
**ESQUIMALT, B.C.  
 VETERANS DRIVE  
 ESQUIMALT VETERANS  
 CEMETERY COLUMBARIA**

Consultant Signature Box Only

Designed by/Concept par  
**LEES + ASSOCIATES**

Drawn by/Dessiné par  
**LEES + ASSOCIATES / DATE (2017.03.16)**

PWGSC Project Manager/Administrateur de Projets TPSGC  
**REZA HAGHIGHI**

PWGSC, Regional Manager, Architectural and Engineering Services/  
 Gestionnaire régionale, Services d'architecture et de génie, TPSGC

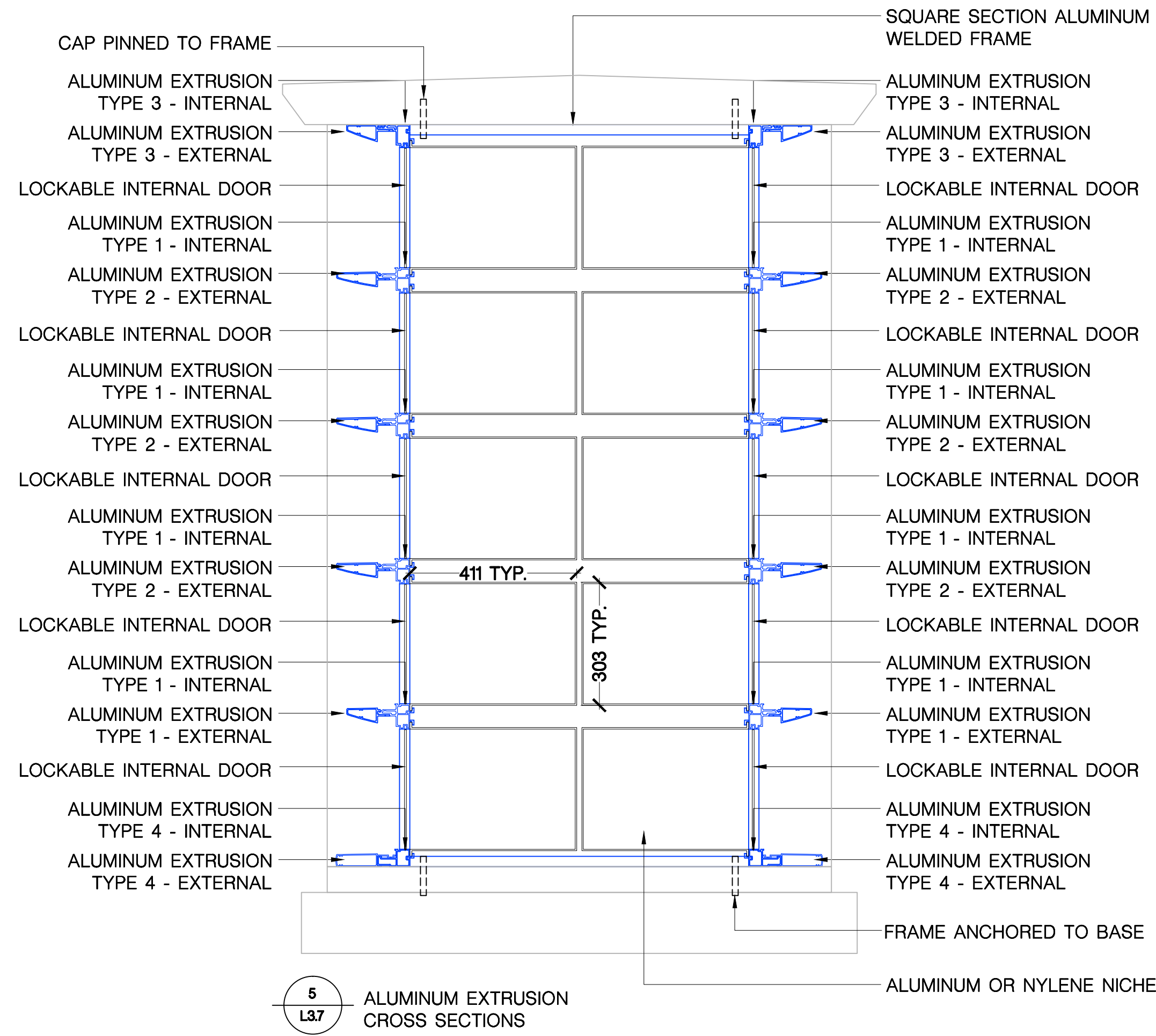
Drawing title/Titre du dessin  
**CONSTRUCTION DETAILS  
 40 NICHE COLUMBARIA  
 ALUMINUM FRAME**

Project No./No. du projet  
**R.080256.003.**

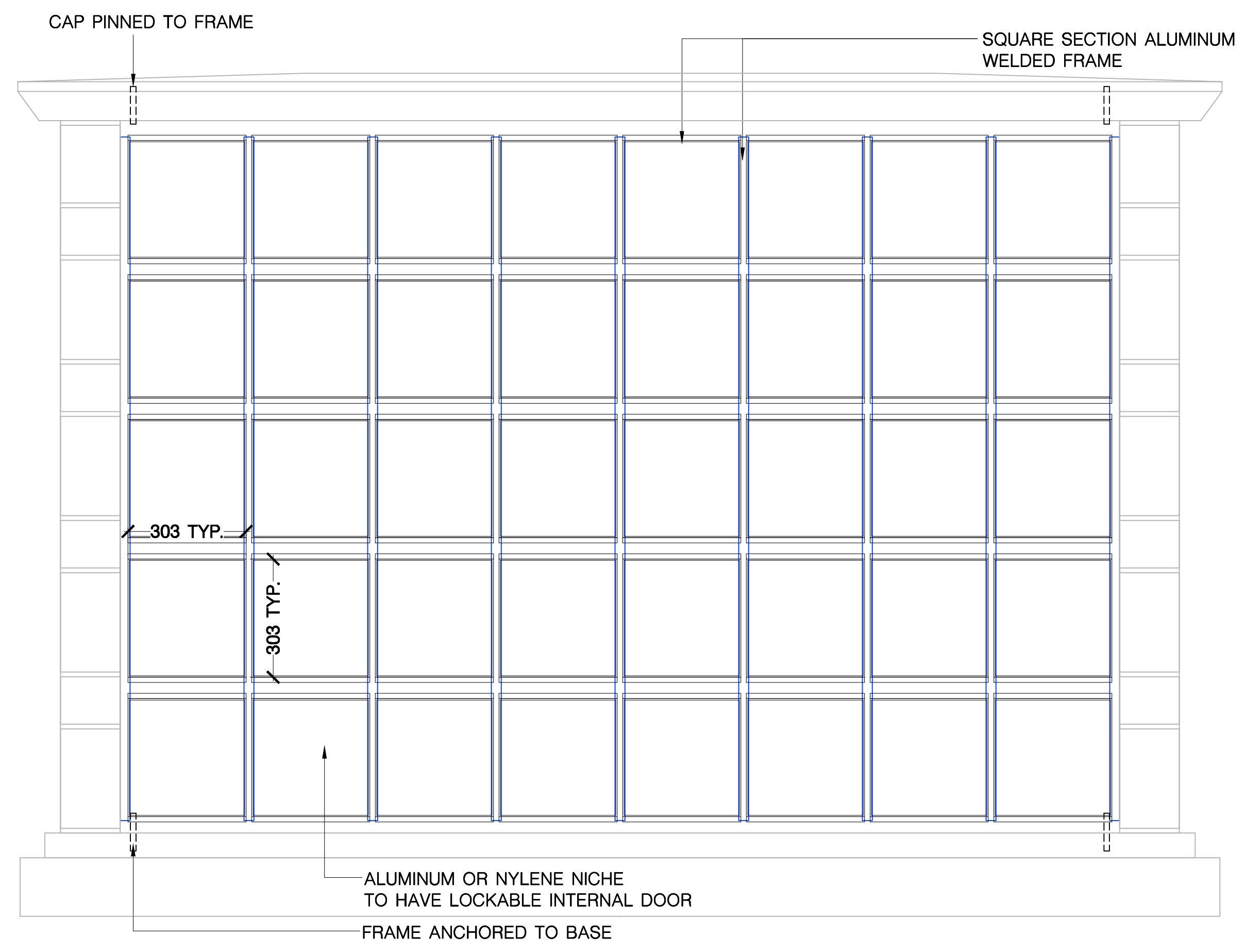
Sheet/Feuille  
**L3.5**  
 9 OF 11

Revision no./  
 La Révision no.  
**3**

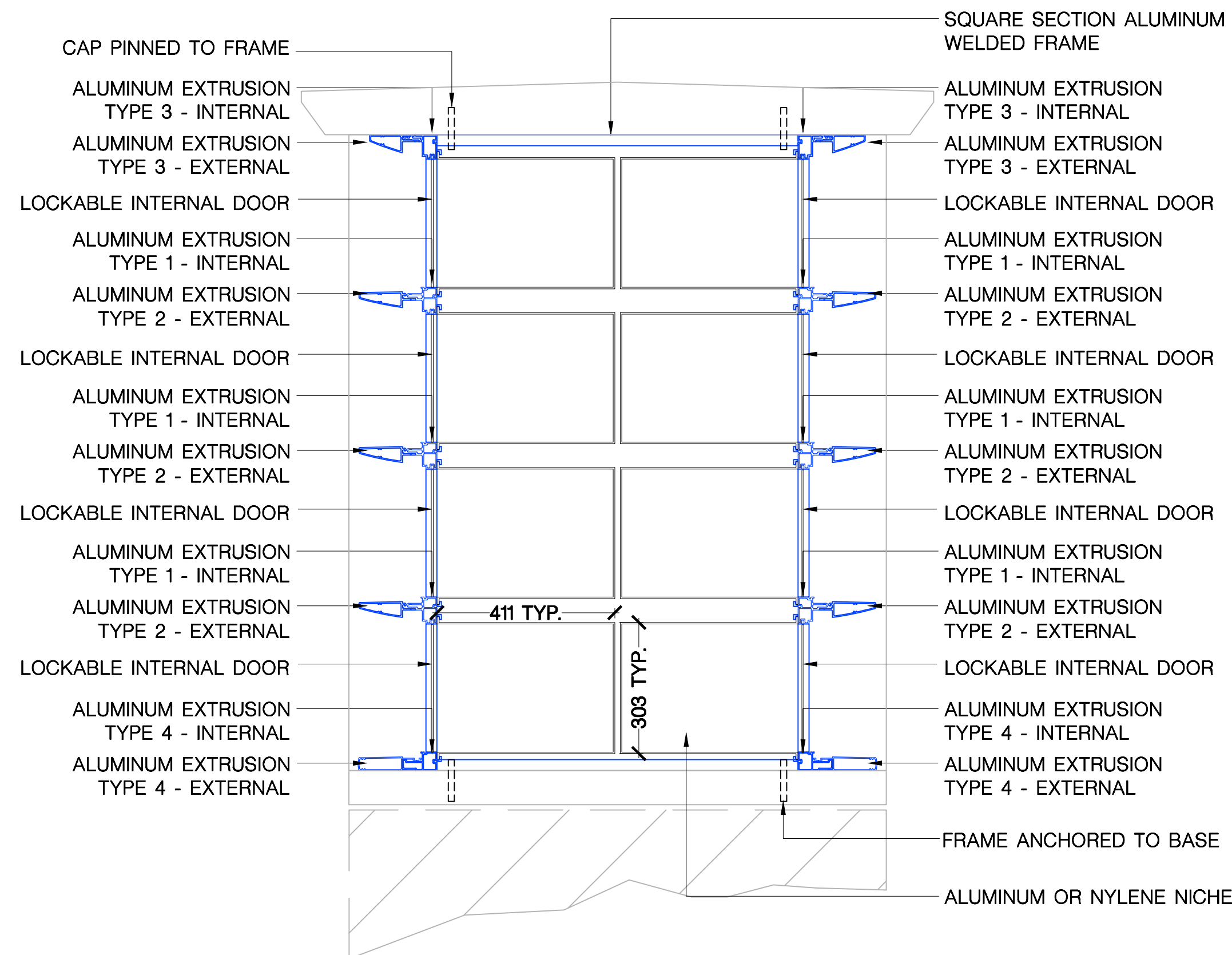
Z:\Active Clients\Public Works and Government Services Canada\17-99\Columbaria\Tender\CA16\_CAD\Working Drawings\17-991\_EVC\_Exp\_L3.0 to L3.7\_Columbaria\_Details.dwg



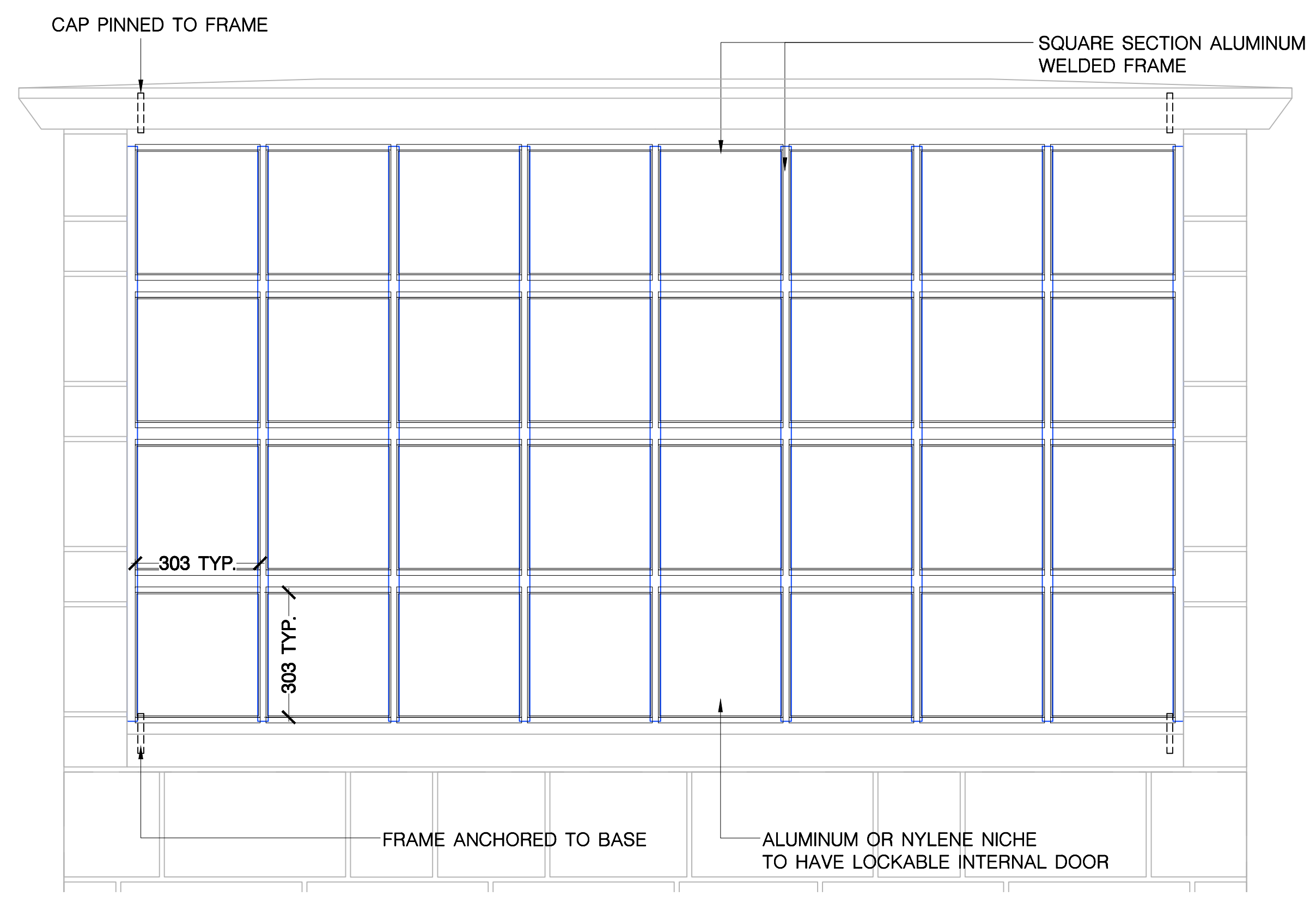
**1 SECTION - 80 NICHE COLUMBARIUM**  
SCALE: 1:10



**2 CROSS SECTION - 80 NICHE COLUMBARIUM**  
SCALE: 1:10



**3 SECTION - 64 NICHE COLUMBARIUM**  
SCALE: 1:10



**4 CROSS SECTION - 64 NICHE COLUMBARIUM**  
SCALE: 1:10

| Revision/Revision | Description/Description    | Date/Date |
|-------------------|----------------------------|-----------|
| 3                 | 100% CONSTRUCTION DRAWINGS | 17/03/16  |
| 2                 | 100% CONSTRUCTION DRAWINGS | 17/03/08  |
| 1                 | 100% CONSTRUCTION DRAWINGS | 17/03/07  |

Client/client  
**Canada** Veterans Affairs / Anciens Combattants  
 Canada

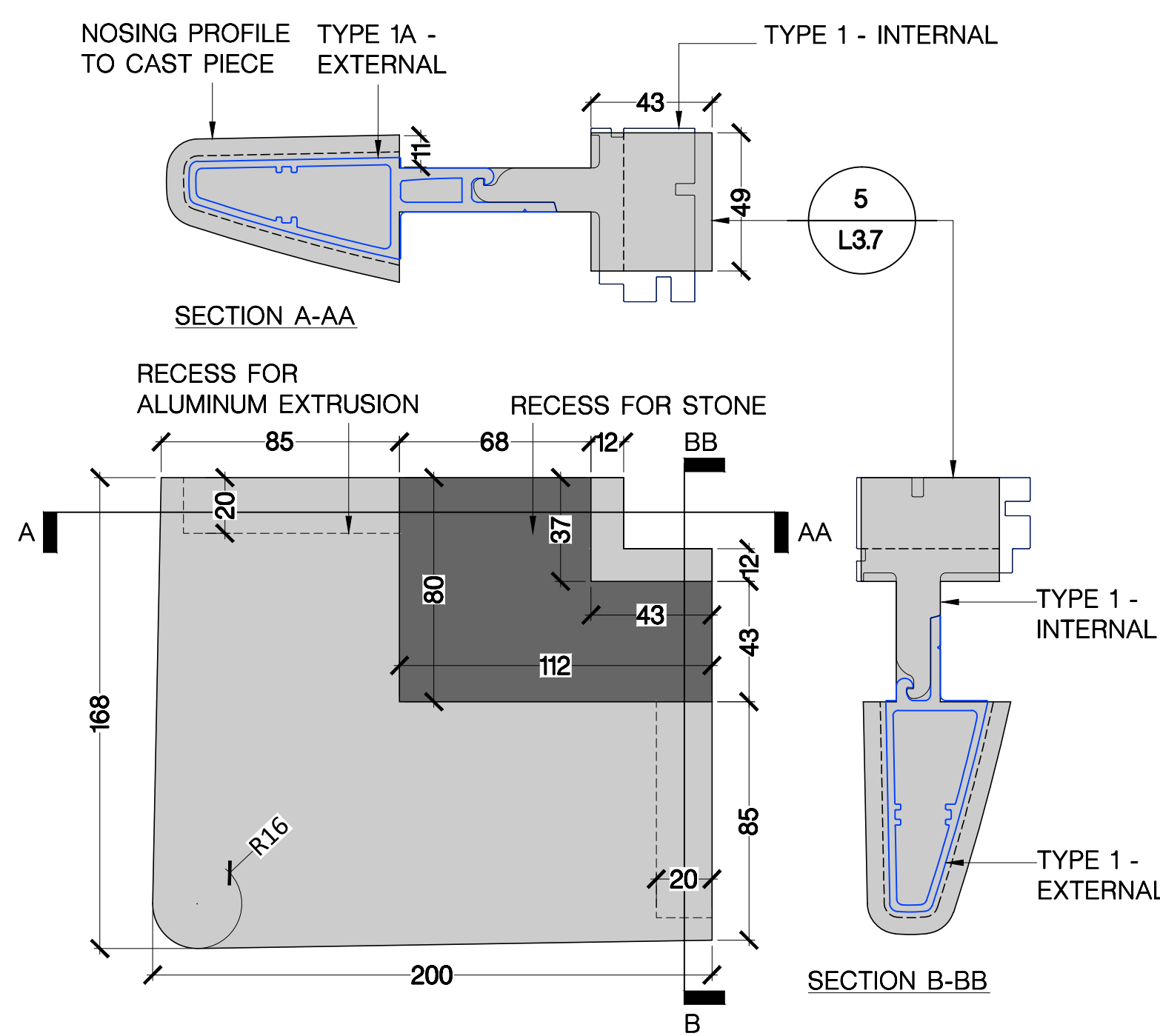
Project title/Titre du projet  
**ESQUIMALT, B.C. VETERANS DRIVE**  
**ESQUIMALT VETERANS CEMETERY COLUMBARIA**

Consultant Signature Box Only  
 Designed by/Concept par  
**LEES + ASSOCIATES**  
 Drawn by/Dessiné par  
**LEES + ASSOCIATES / DATE (2017.03.16)**  
 PWGSC Project Manager/Administrateur de Projets TPSGC  
**REZA HAGHIGHI**  
 PWGSC, Regional Manager, Architectural and Engineering Services/  
 Gestionnaire régionale, Services d'architectural et de génie, TPSGC

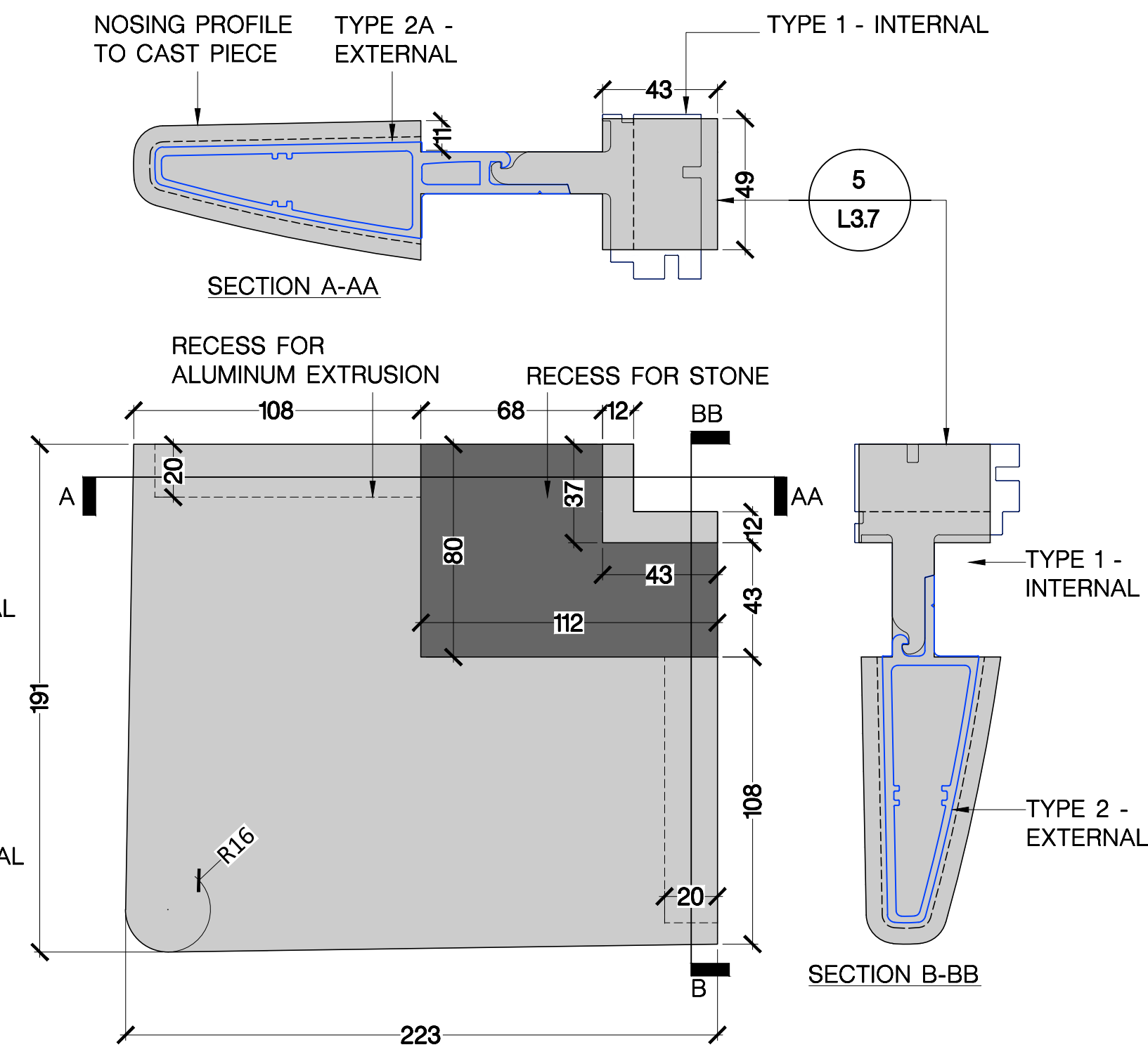
Drawing title/Titre du dessin  
**CONSTRUCTION DETAILS**  
**64 AND 80 NICHE COLUMBARIA**  
**ALUMINUM FRAME**

Project No./No. du projet  
**R.080256.003.**  
 Sheet/Feuille  
**L3.6**  
 Revision no./La Révision no.  
**3**  
**10 OF 11**

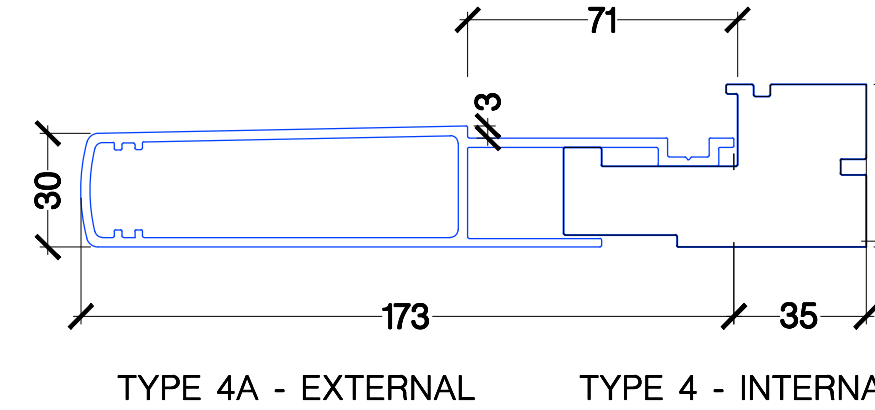
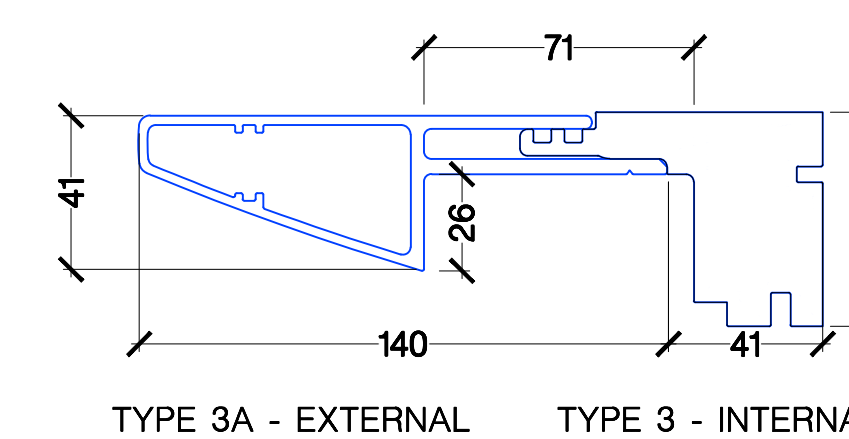
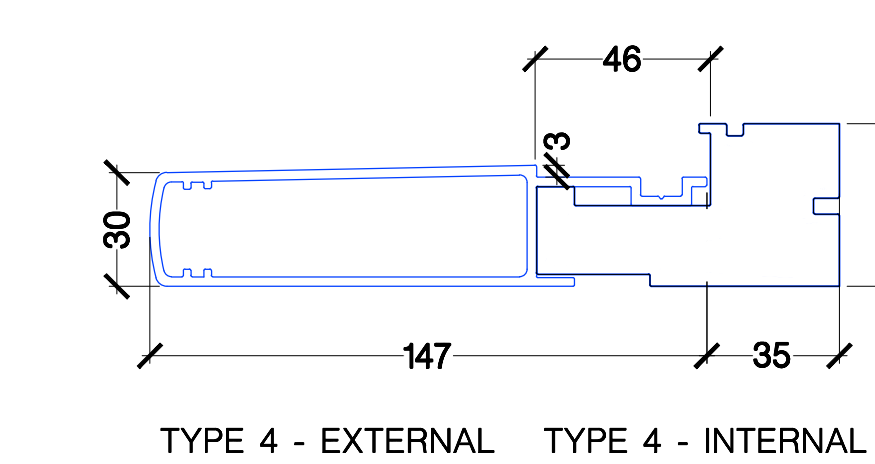
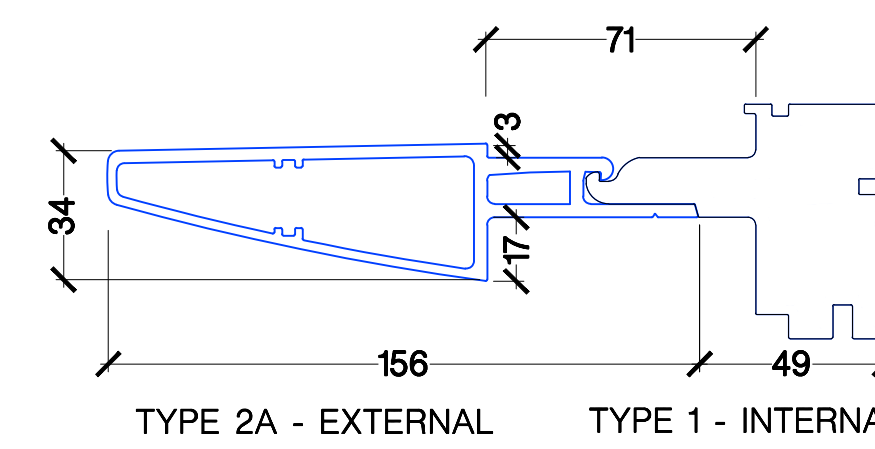
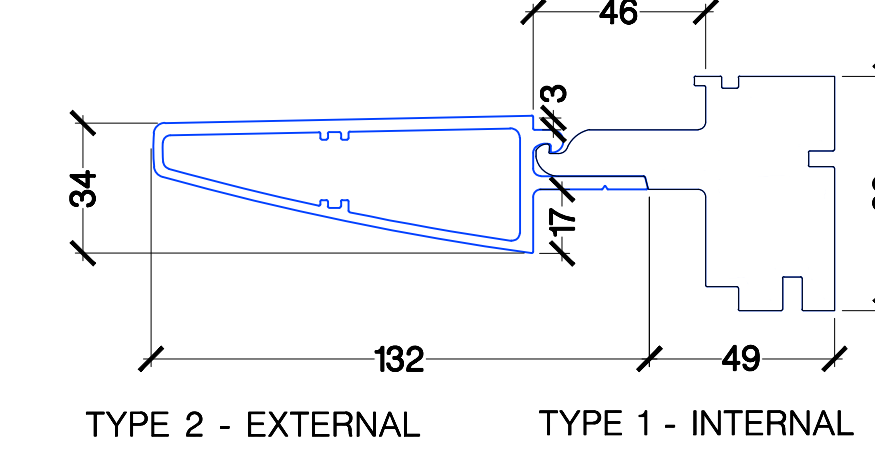
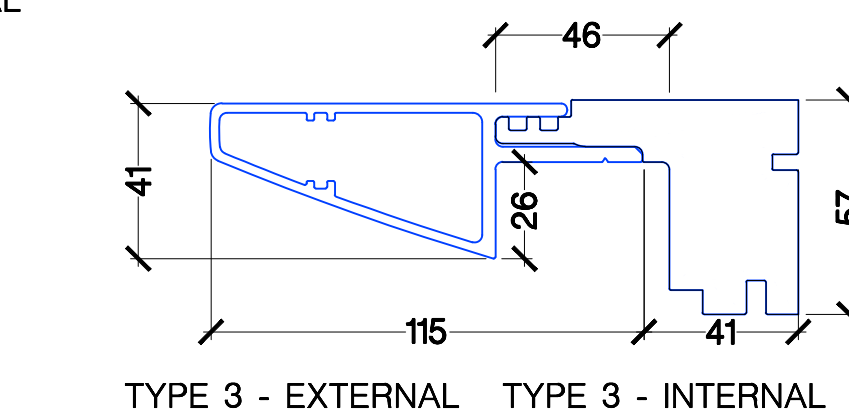
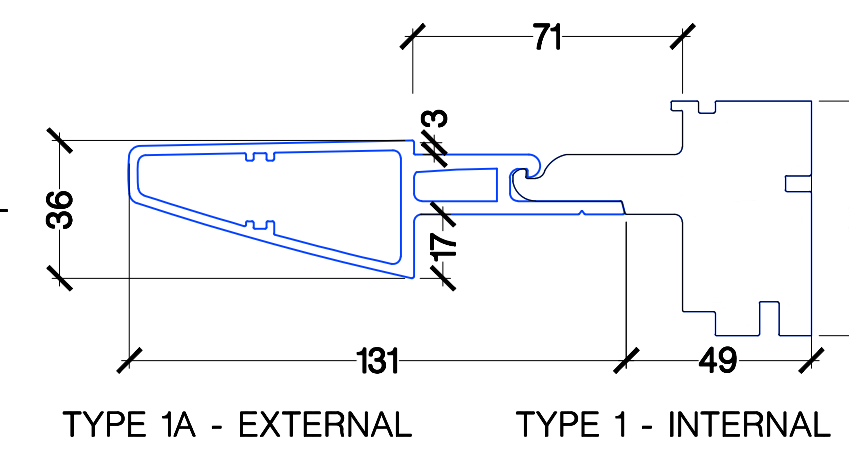
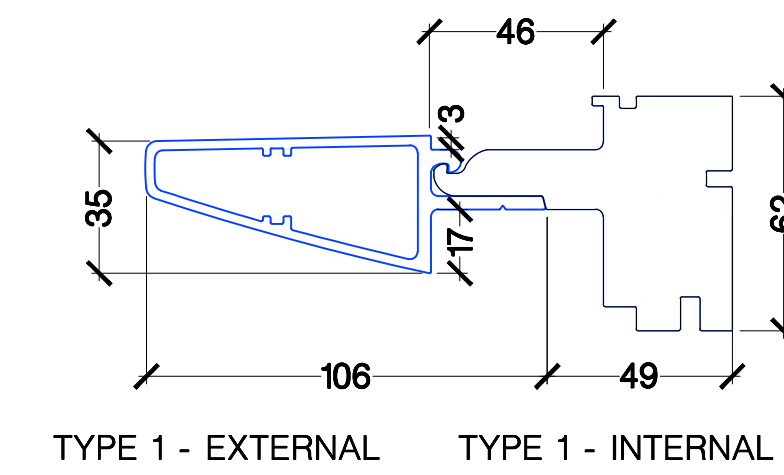
Z:\Active Clients\Public Works and Government Services Canada\17-99\Columbaria\Tender\CA16\_CAD\Working Drawings\17-991\_EVC\_Exp\_L3.0 to L3.7\_Columbaria\_Details.dwg



**1** CAST ALUMINUM CORNER PIECE - TYPE 1  
L3.7 SCALE: 12

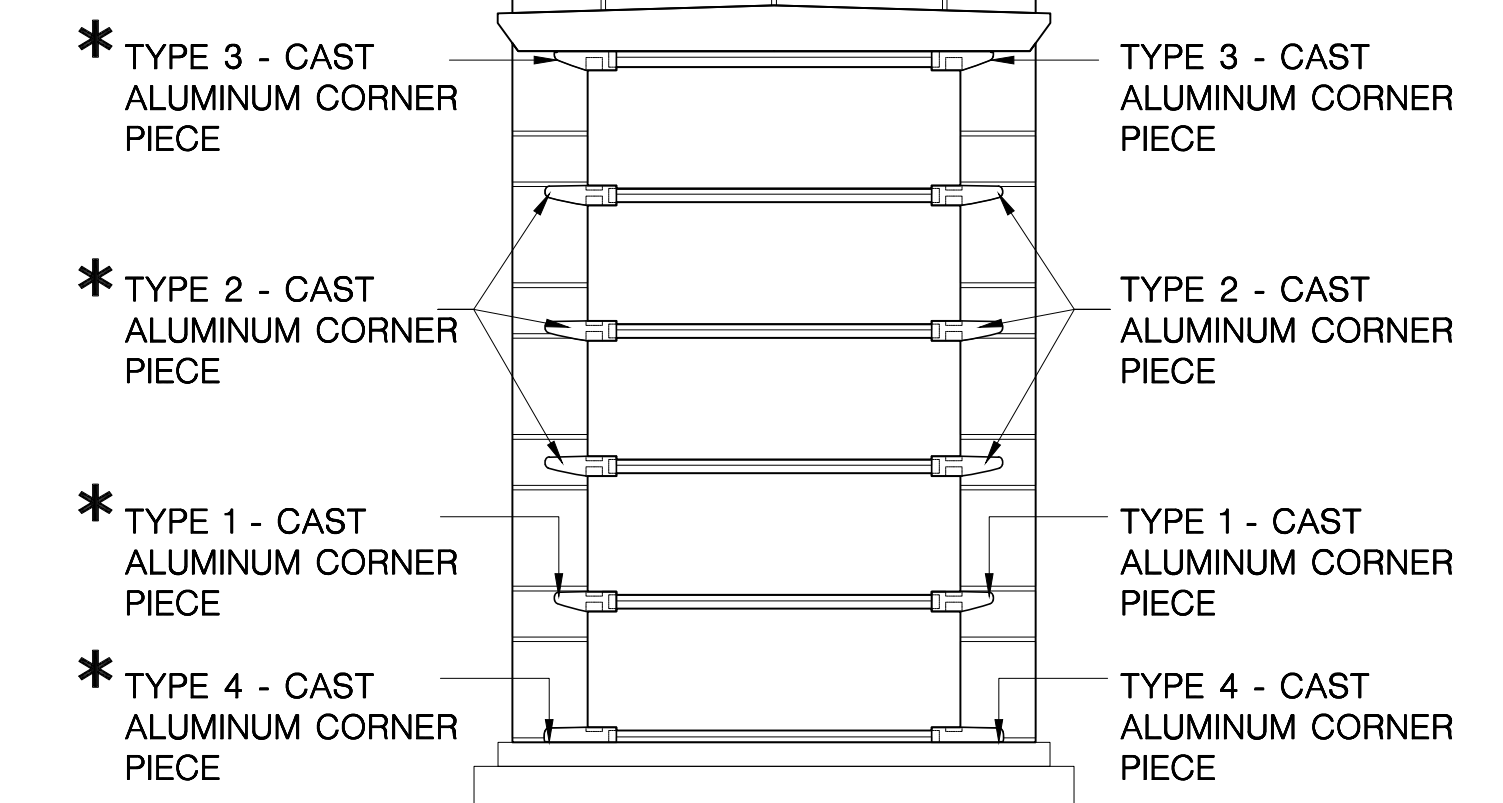


**2** CAST ALUMINUM CORNER PIECE - TYPE 2  
L3.7 SCALE: 12

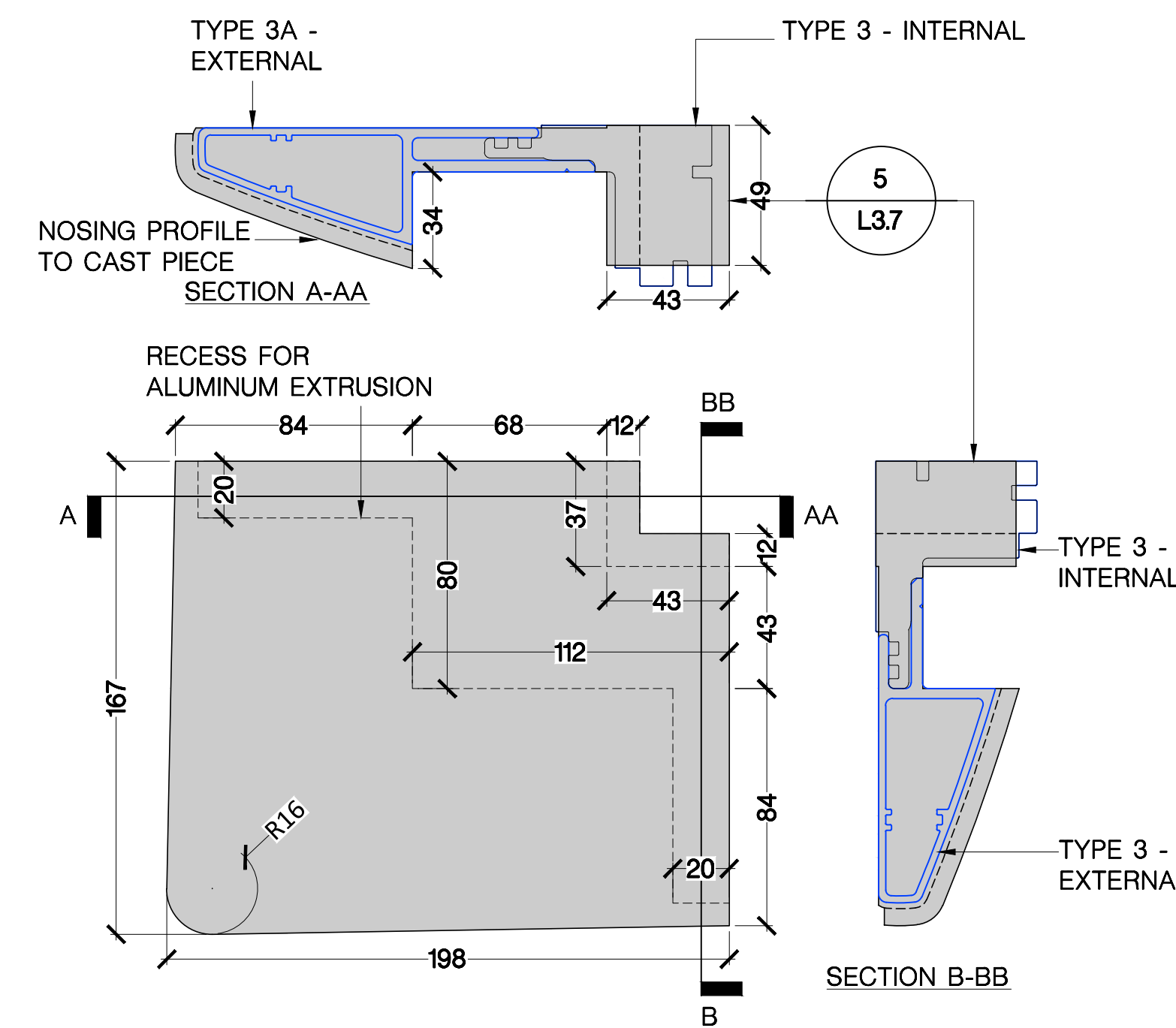


**5** ALUMINUM EXTRUSION CROSS SECTIONS  
L3.7 SCALE: 12

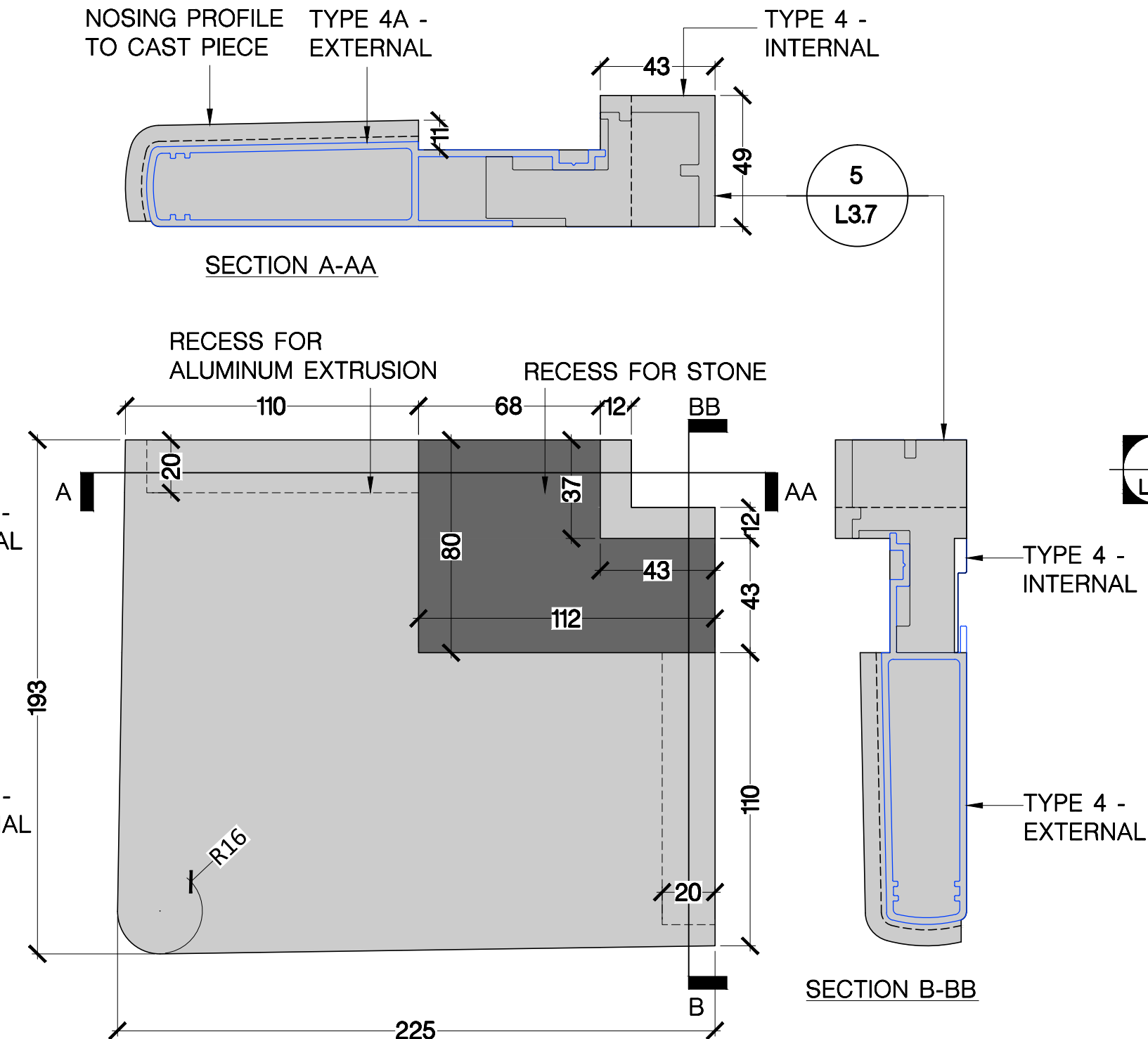
NOTE:  
ALL CORNER PIECE MARKED \*  
CAST AS A MIRROR IMAGE.



**6** CAST ALUMINUM CORNER PIECE - LOCATION DIAGRAM  
L3.7 SCALE: 120



**3** CAST ALUMINUM CORNER PIECE - TYPE 3  
L3.7 SCALE: 12



**4** CAST ALUMINUM CORNER PIECE - TYPE 4  
L3.7 SCALE: 12

| Revision/ | Description/Description    | Date/Date |
|-----------|----------------------------|-----------|
| 3         | 100% CONSTRUCTION DRAWINGS | 17/03/16  |
| 2         | 100% CONSTRUCTION DRAWINGS | 17/03/08  |
| 1         | 100% CONSTRUCTION DRAWINGS | 17/03/07  |

Client/client: Veterans Affairs Canada / Anciens Combattants Canada

Project title/Titre du projet: **ESQUIMALT, B.C. VETERANS DRIVE ESQUIMALT VETERANS CEMETERY COLUMBARIA**

Consultant Signature Box Only  
Designed by/Concept par: **LEES + ASSOCIATES**  
Drawn by/Dessiné par: **LEES + ASSOCIATES / DATE (2017.03.16)**  
PWGSC Project Manager/Administrateur de Projets TPSGC: **REZA HAGHIGHI**  
PWGSC, Regional Manager, Architectural and Engineering Services/ Gestionnaire régionale, Services d'architectural et de génie, TPSGC

Drawing title/Titre du dessin: **CONSTRUCTION DETAILS ALUMINUM SECTION DETAILS AND CAST ALUMINUM CORNER PIECES**

Project No./No. du projet: **R.080256.003.** Sheet/Fauille: **L3.7** Revision no./La Révision no.: **3**  
**11 OF 11**