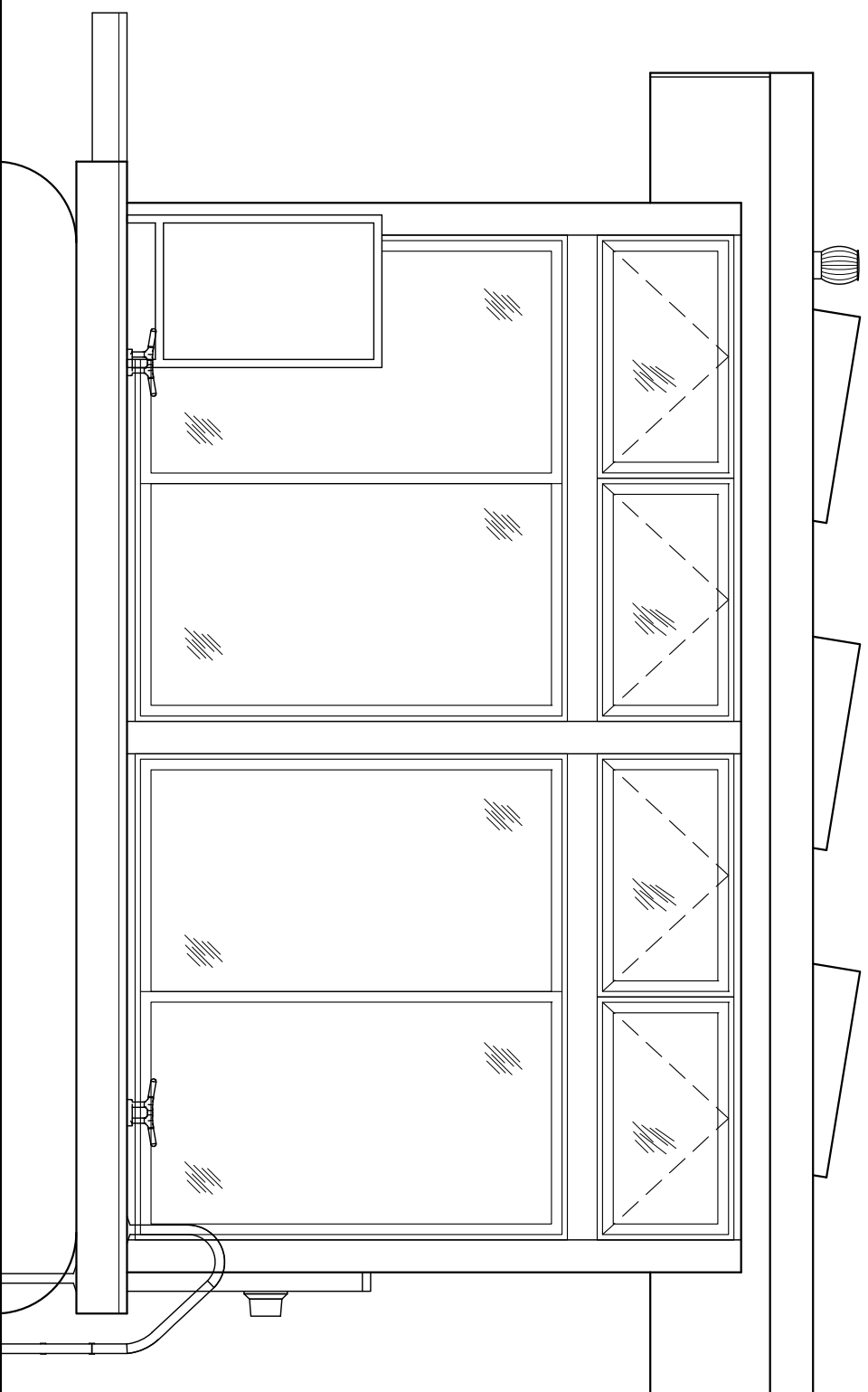


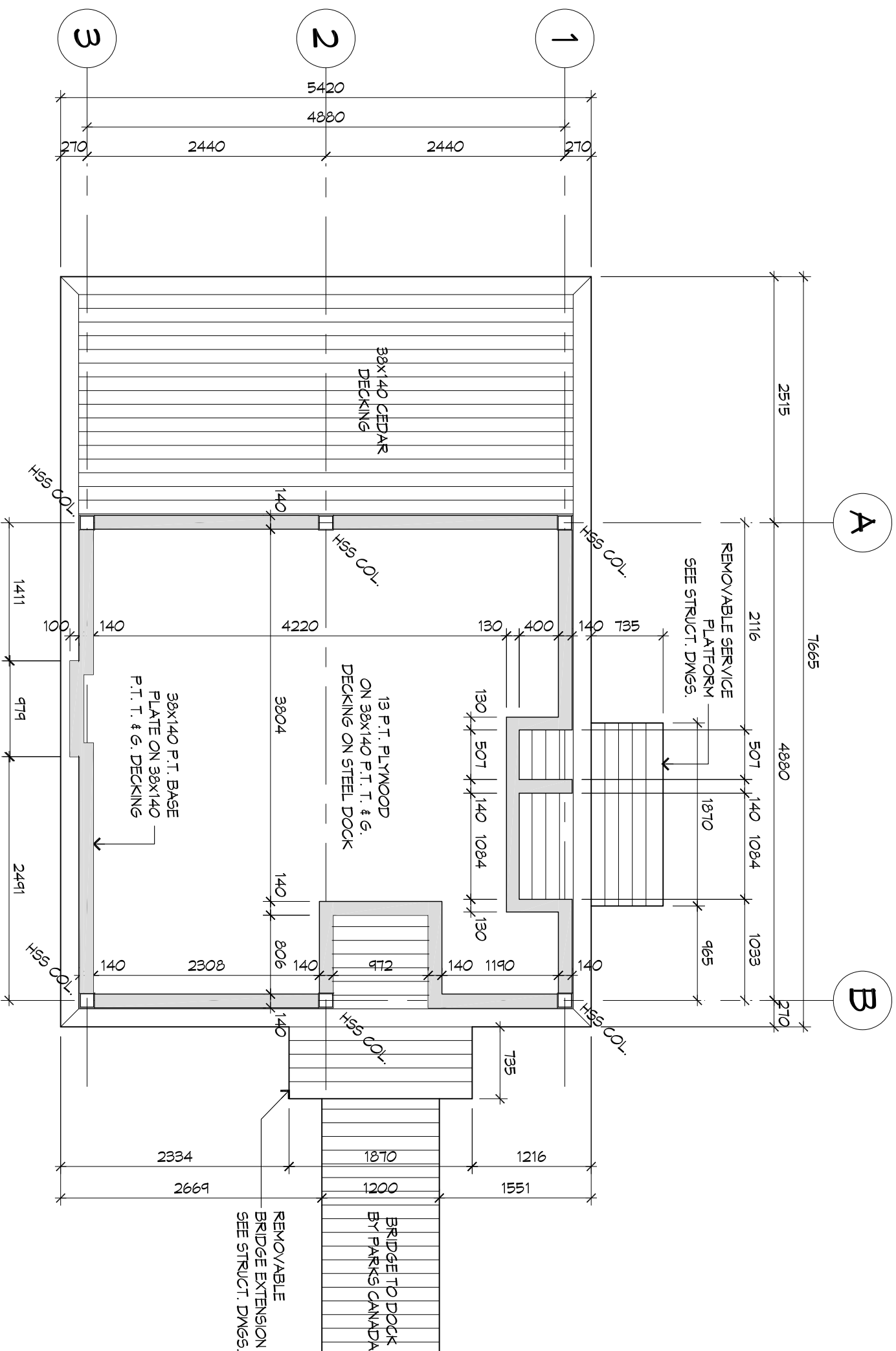
DRAWING SCHEDULE

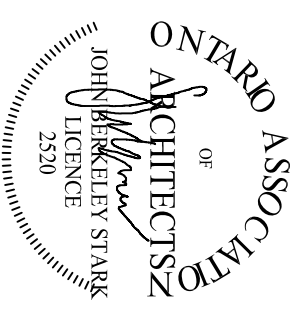
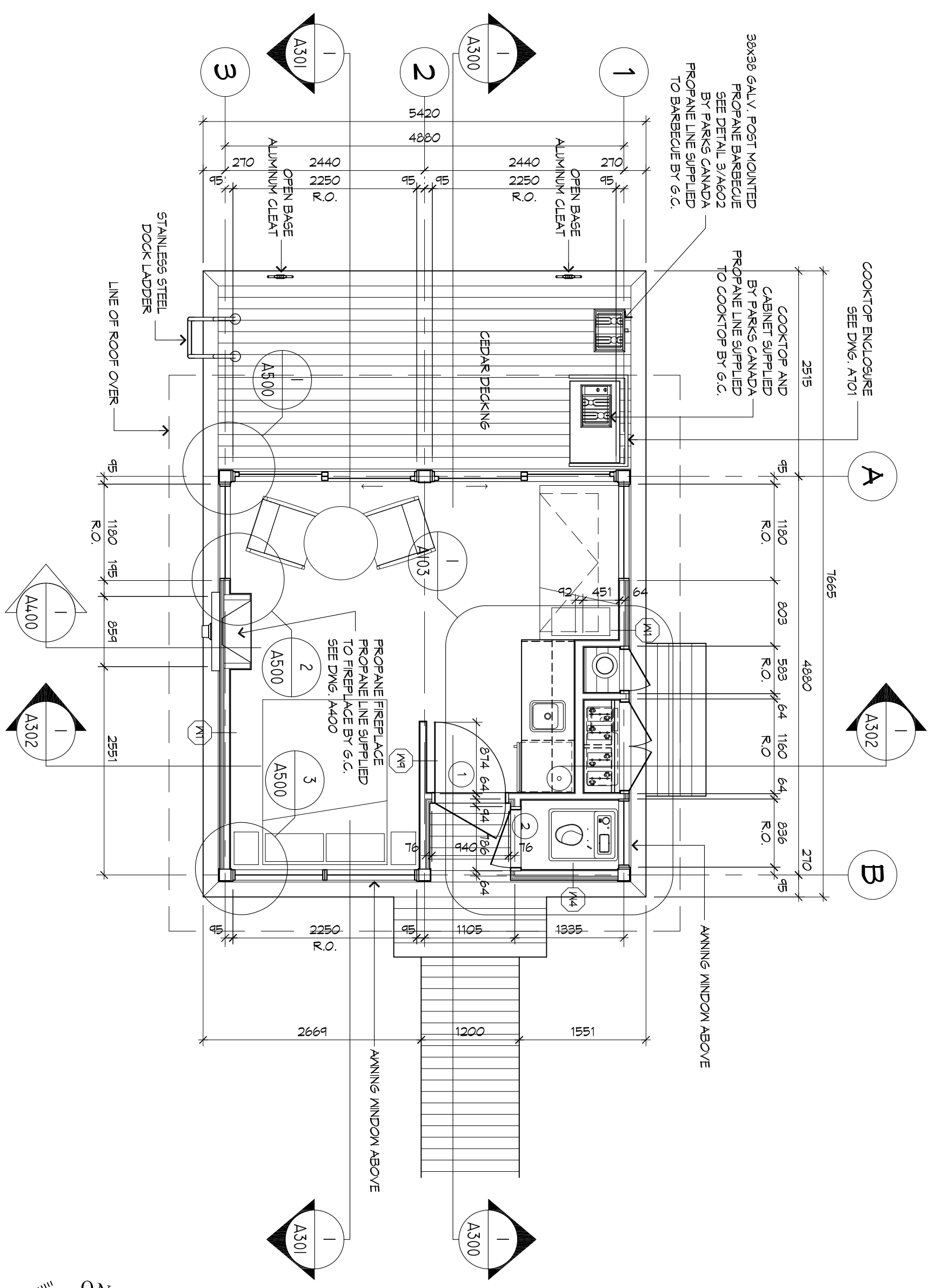


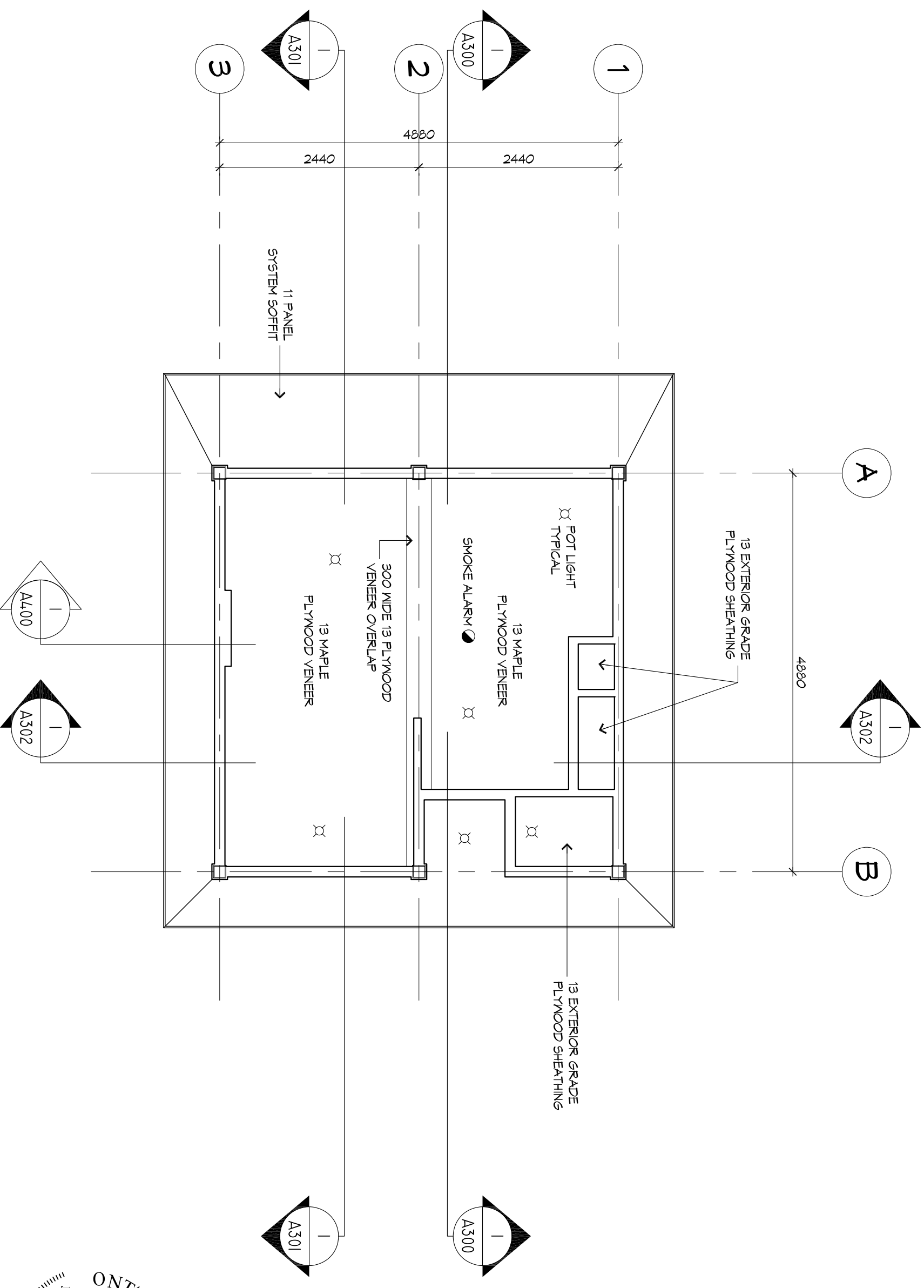
| | |
|------|---------------------------|
| A000 | COVER |
| A100 | DOCK PLAN |
| A101 | FLOOR PLAN |
| A102 | REFLECTED CEILING PLAN |
| A103 | DETAIL KITCHEN PLAN |
| A200 | FRONT ELEVATION |
| A201 | RIGHT SIDE ELEVATION |
| A202 | REAR ELEVATION |
| A203 | LEFT SIDE ELEVATION |
| A300 | BUILDING SECTION |
| A301 | BUILDING SECTION |
| A302 | BUILDING SECTION |
| A400 | FIREPLACE DETAILS |
| A500 | PLAN DETAILS |
| A600 | SECTION DETAILS |
| A601 | SECTION DETAILS |
| A602 | DETAILS |
| A700 | COOKTOP ENCLOSURE DETAILS |
| A800 | KITCHEN CABINET DETAILS |
| A801 | STORAGE BOX DETAILS |
| A802 | EQUIPMENT SPACE DOORS |
| A900 | CONSTRUCTION NOTES |
| E101 | ELECTRICAL PLAN |
| E102 | REFLECTED CEILING PLAN |
| E201 | POWER BOARD DIAGRAM |
| G101 | GAS PIPING PLAN |
| M301 | DETAILS |
| S1 | DOCK FRAMING PLAN |
| S2 | ROOF FRAMING PLAN |
| S3 | SECTION |
| S4 | SECTION |
| S5 | STRUCTURAL NOTES |
| S6 | STRUCTURAL NOTES |



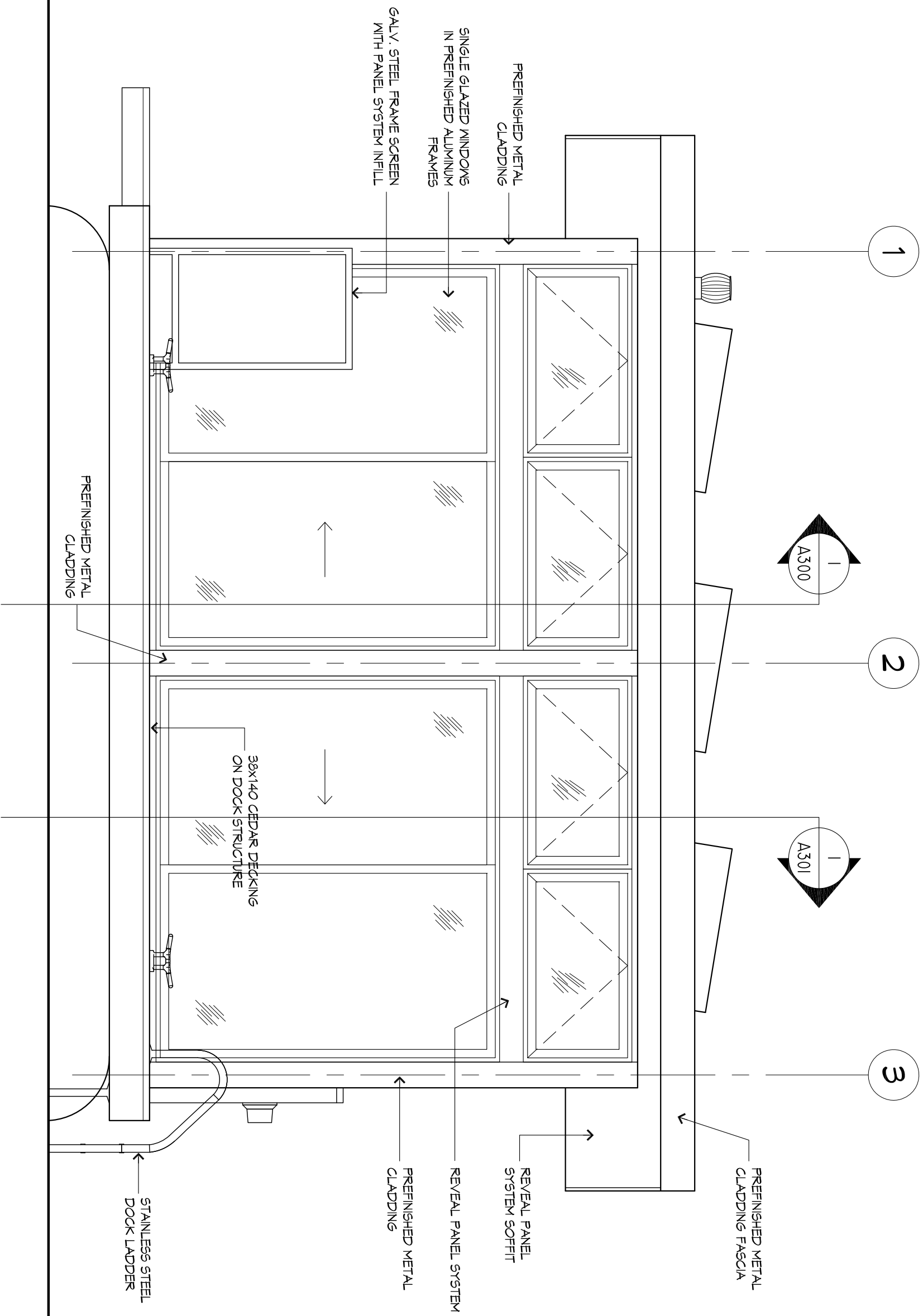
ISSUED FOR TENDER: 03/17/17

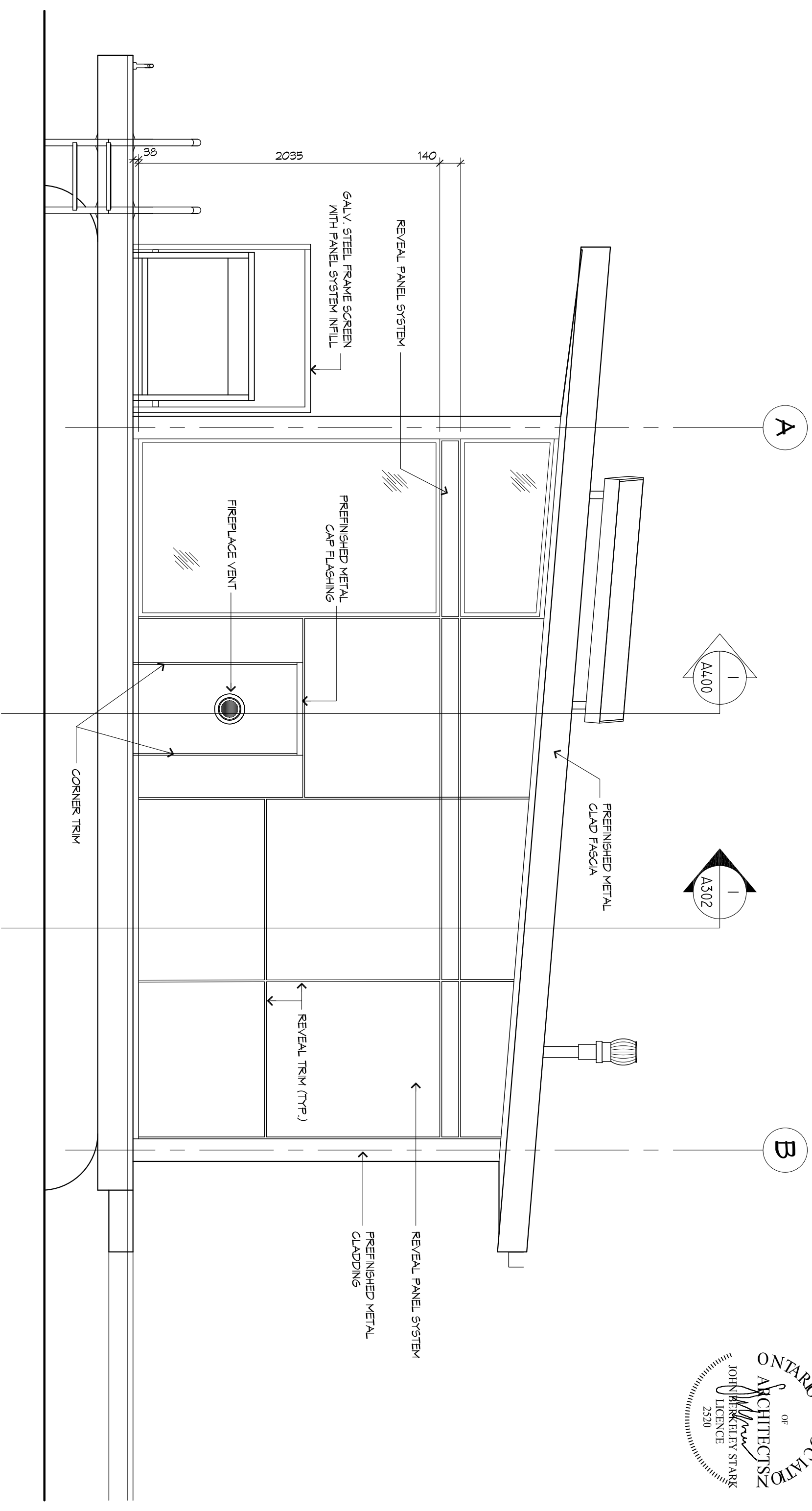


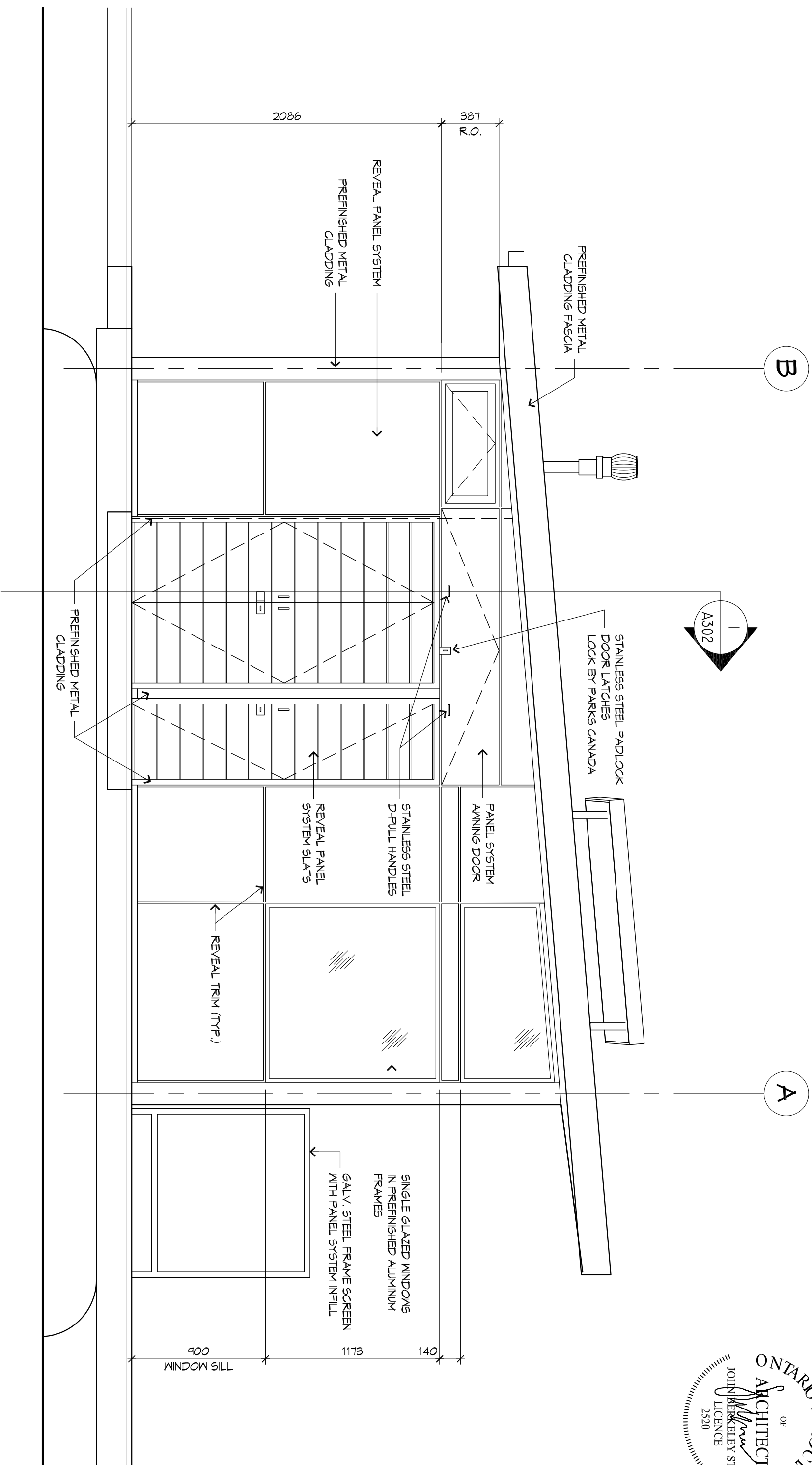




ISSUED FOR TENDER: 03/17/17







ISSUED FOR TENDER: 03/17/17

Scale: 1:25
Date: 01/26/17

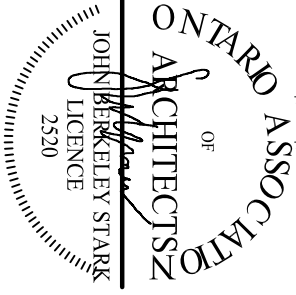
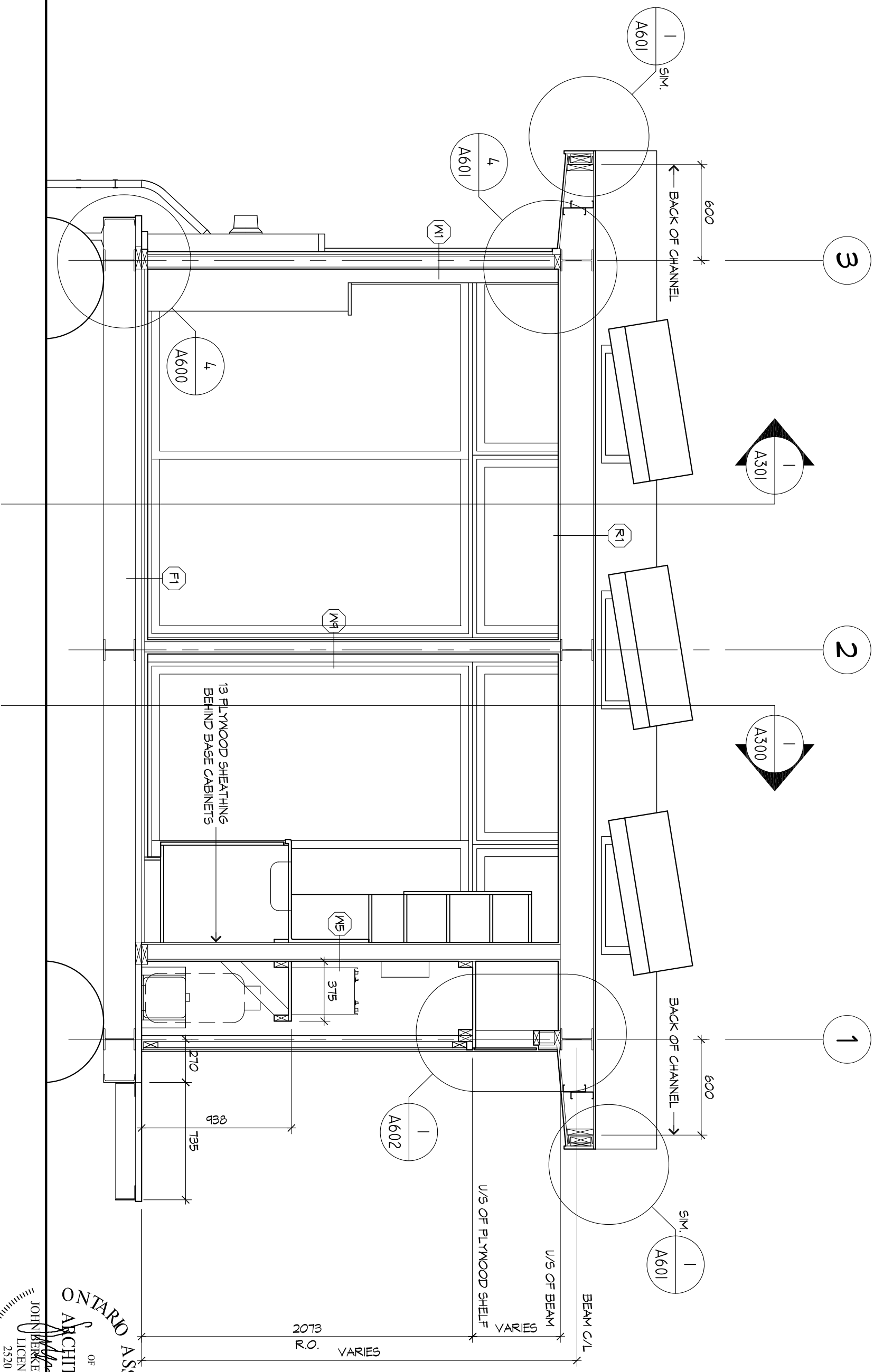
Left Side Elevation
A203

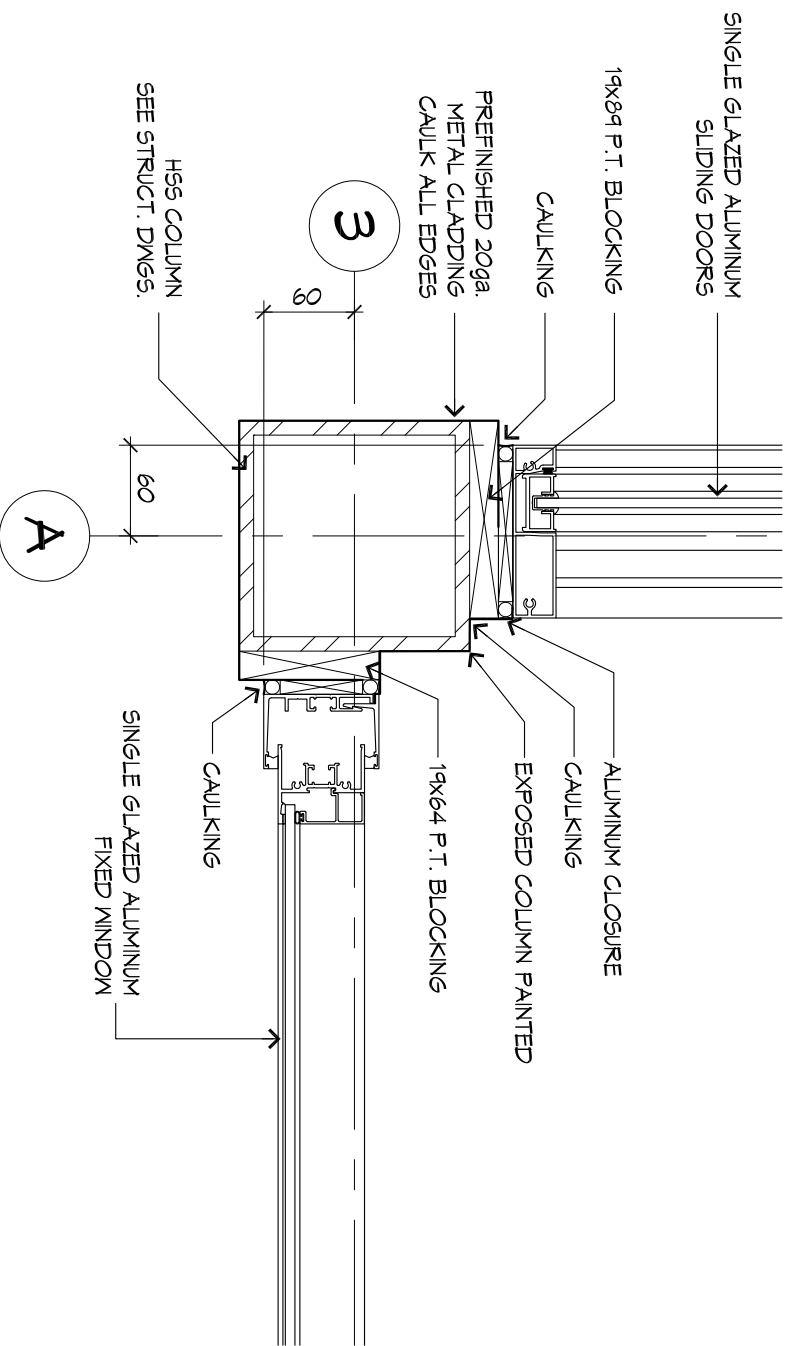
www.starkandco.com
Drawings must not be scaled. Contractor must check and verify all dimensions, specifications, and drawings with site conditions and report any discrepancies to the Architect prior to proceeding with the work.

Floating Accommodations
Beausoleil Island, Georgian Bay

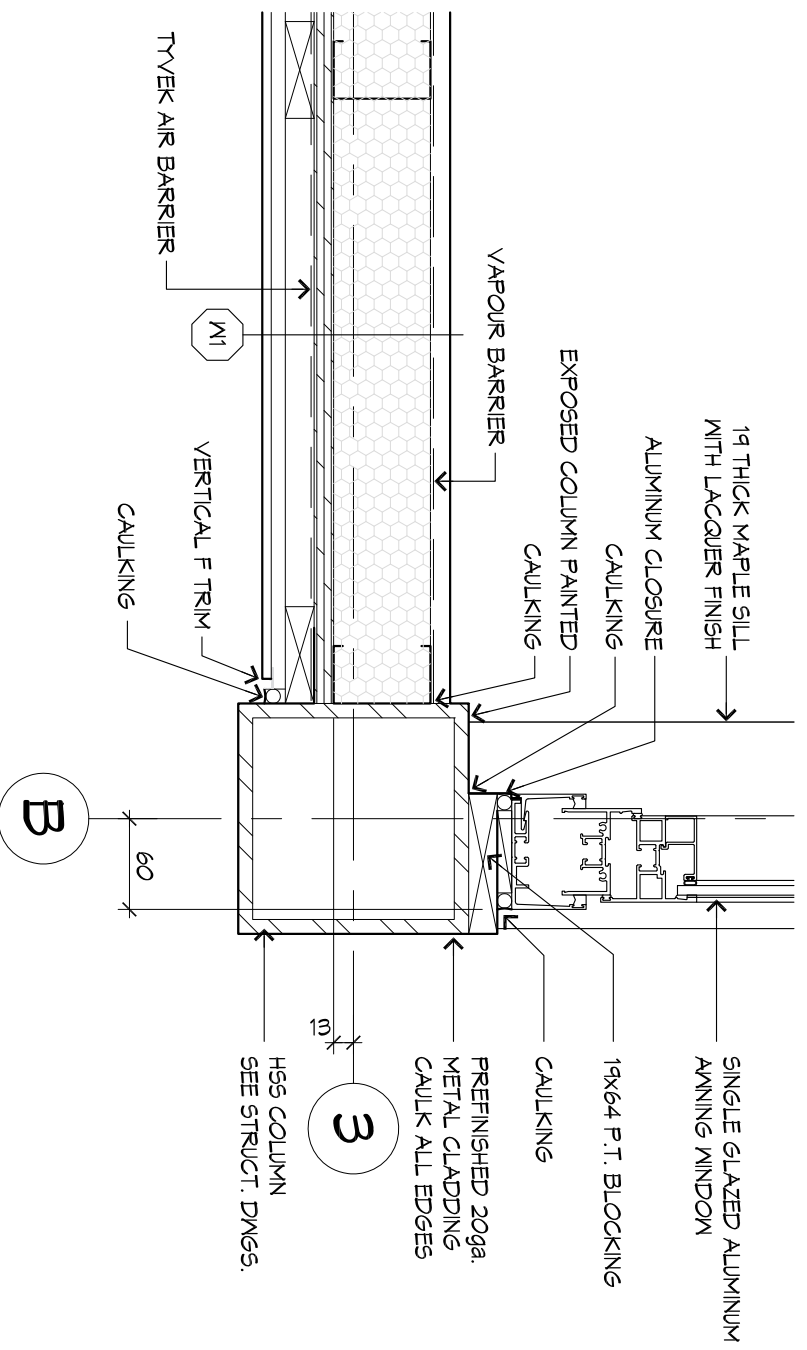


STARK ARCHITECTS INC.
2560 Matheson Boulevard East, Suite 317
Mississauga, Ontario L4W 4Y9
Tel: (905) 629 2300
Fax: (905) 629 2300

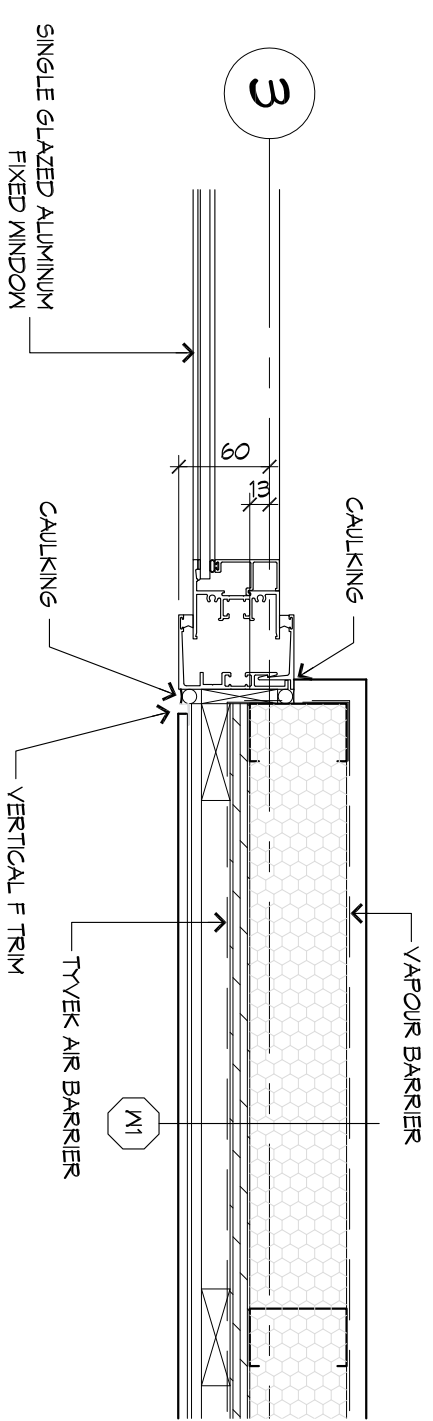




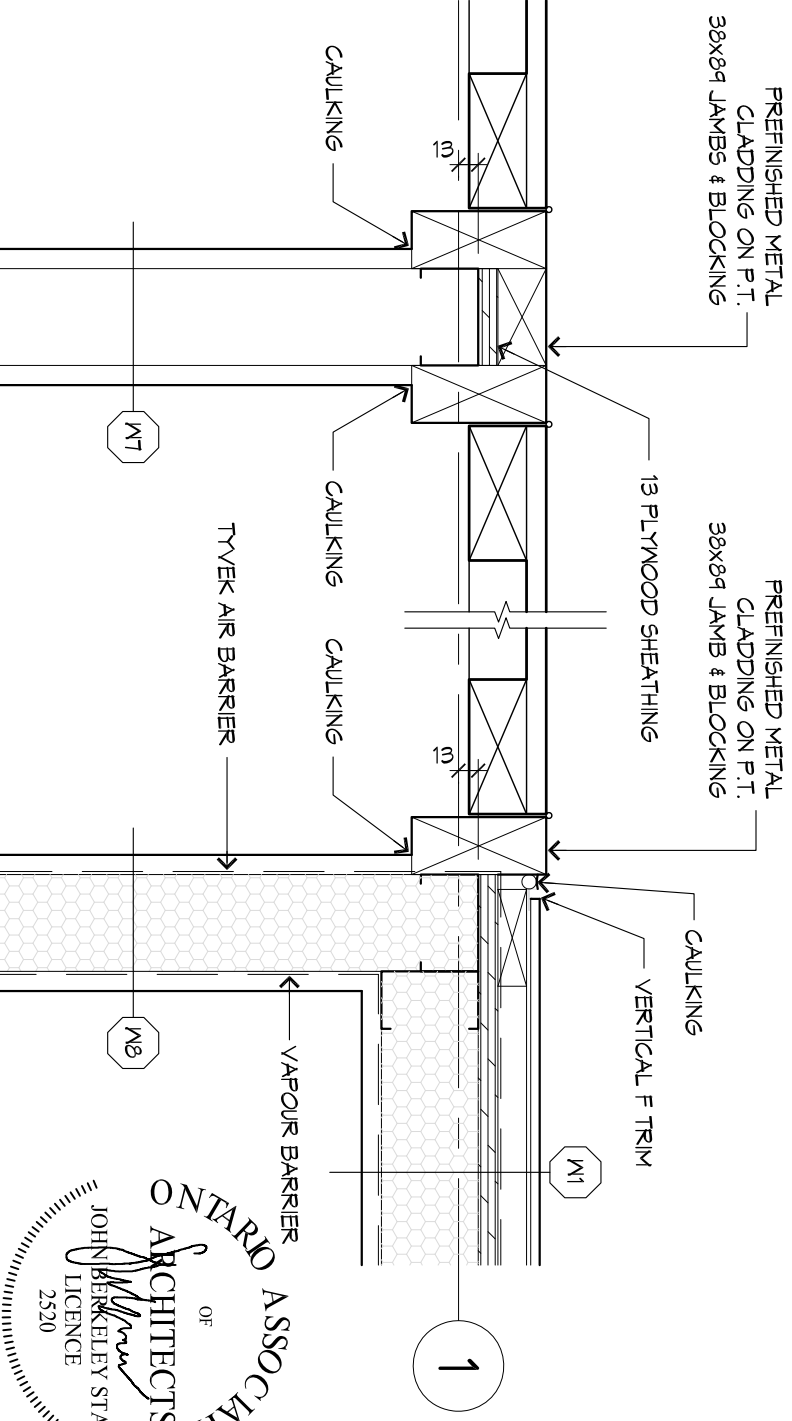
1 PLAN DETAIL
A500 SCALE 1:5



3 PLAN DETAIL
A500 SCALE 1:5

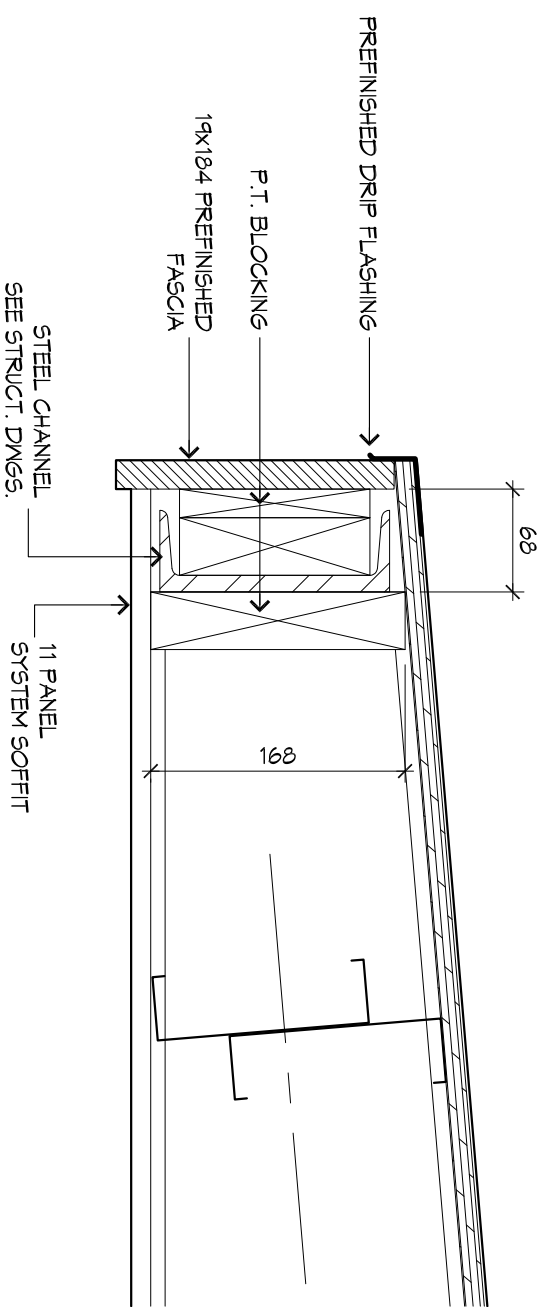


2 PLAN DETAIL
A500 SCALE 1:5

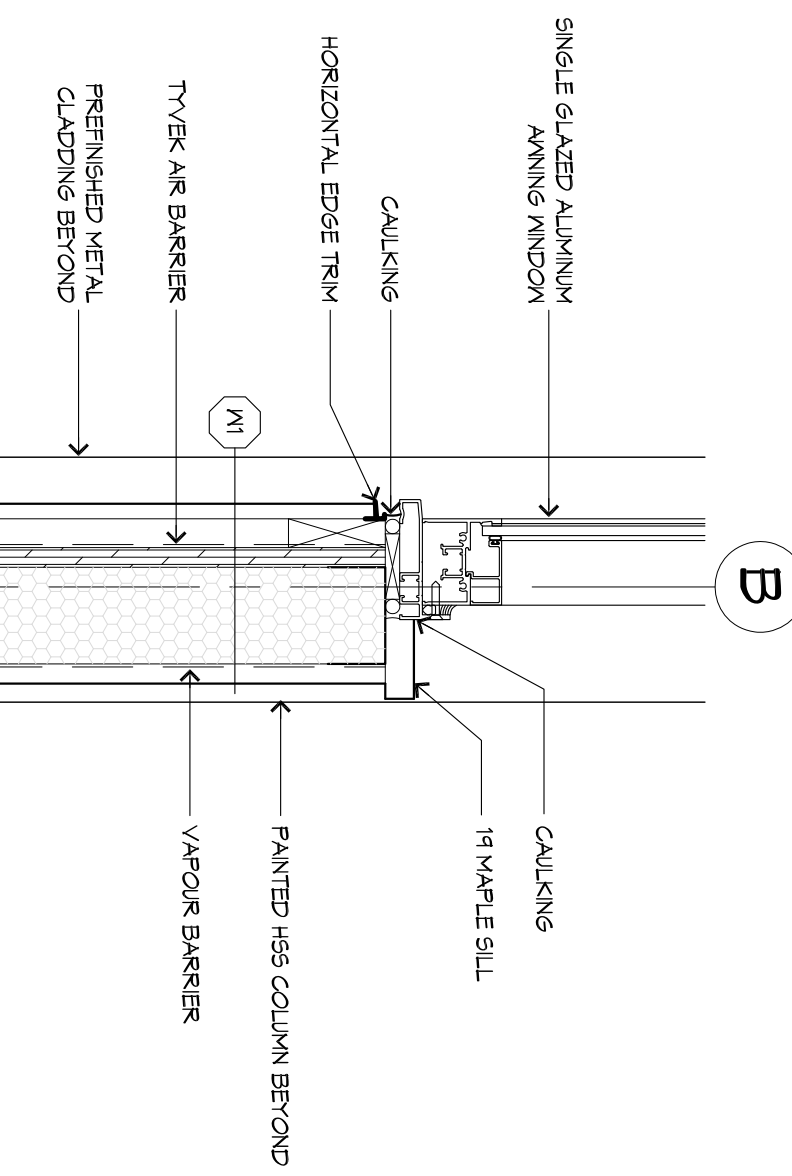


4 PLAN DETAIL
A500 SCALE 1:5

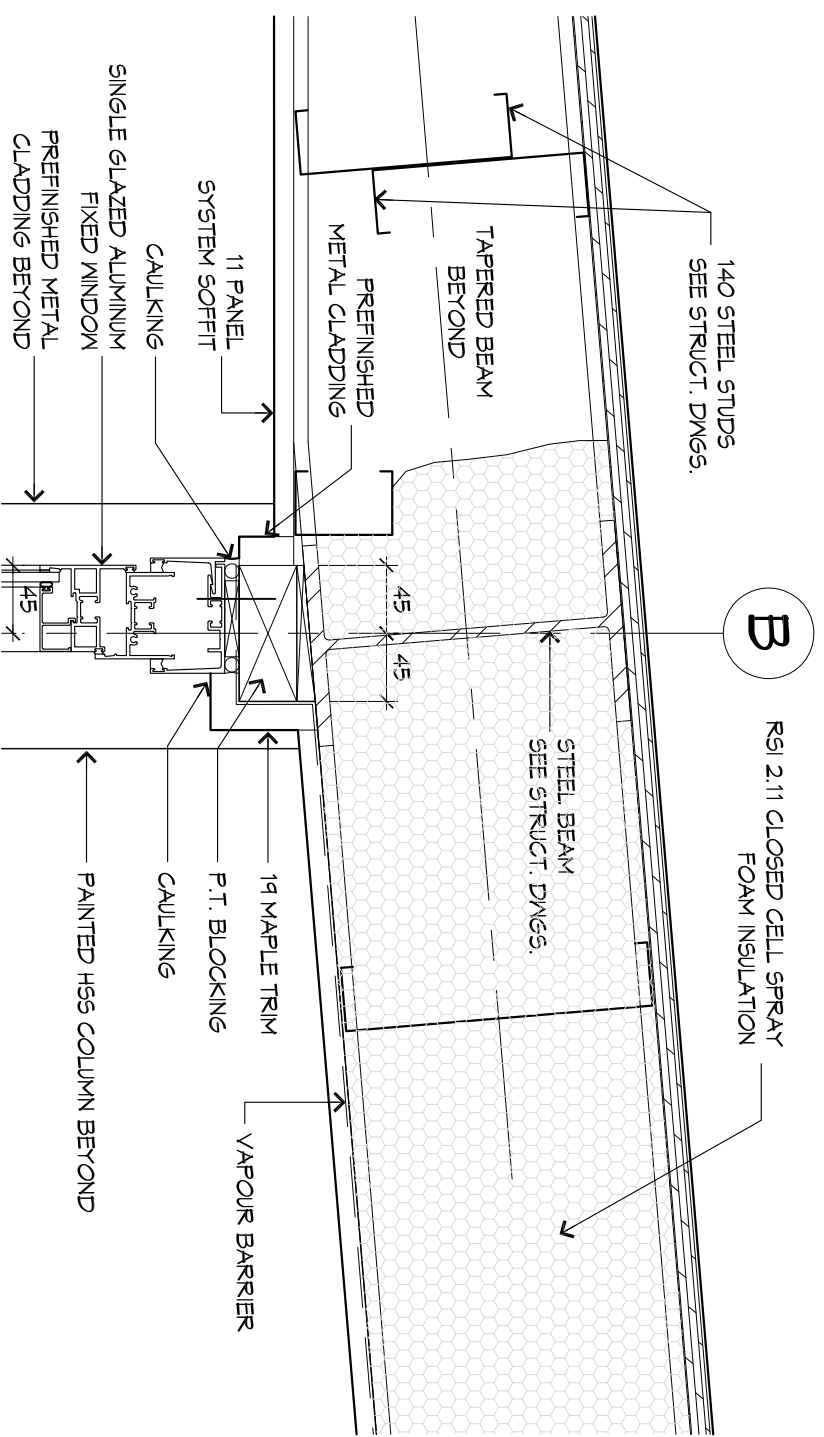




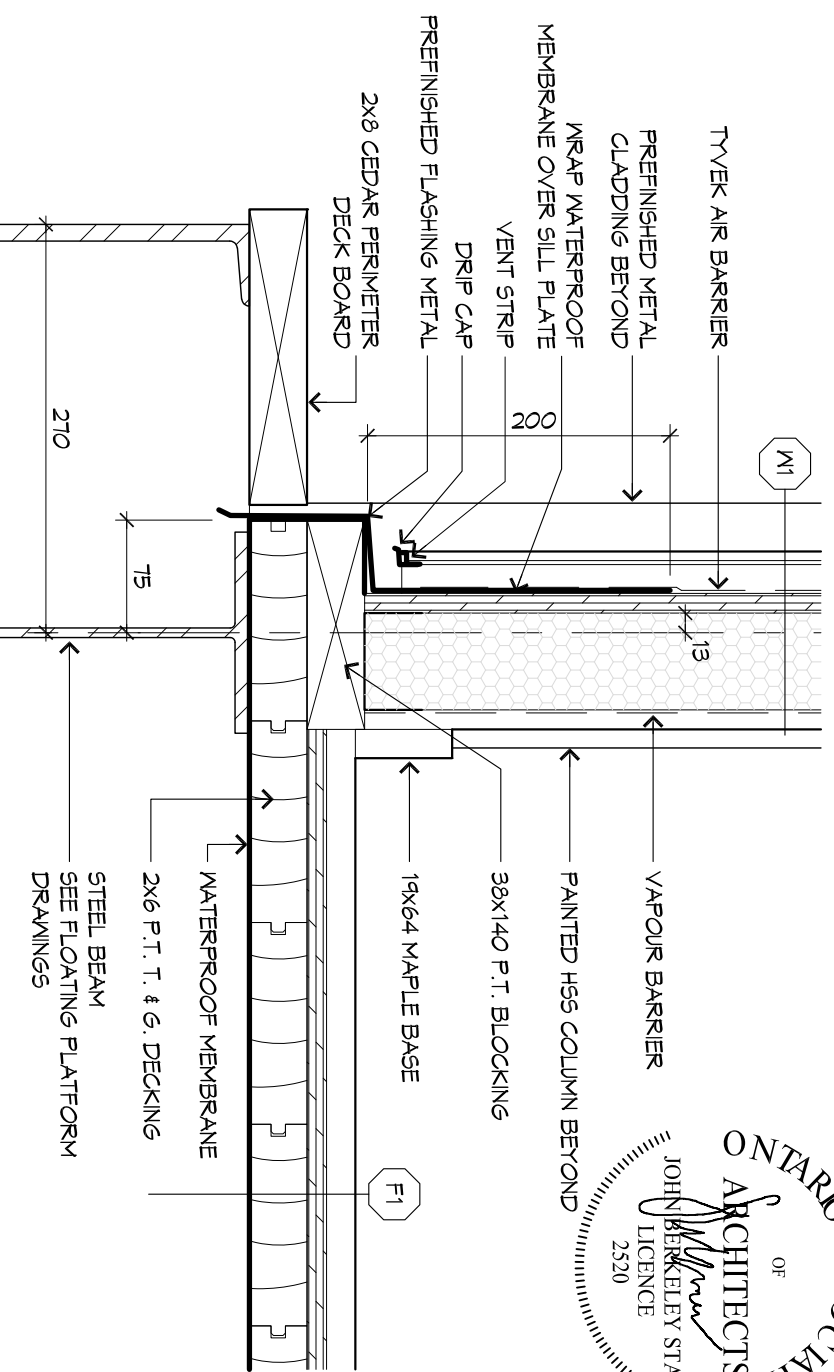
1 PLAN DETAIL
A600 SCALE 1:5



3 PLAN DETAIL
A600 SCALE 1:5

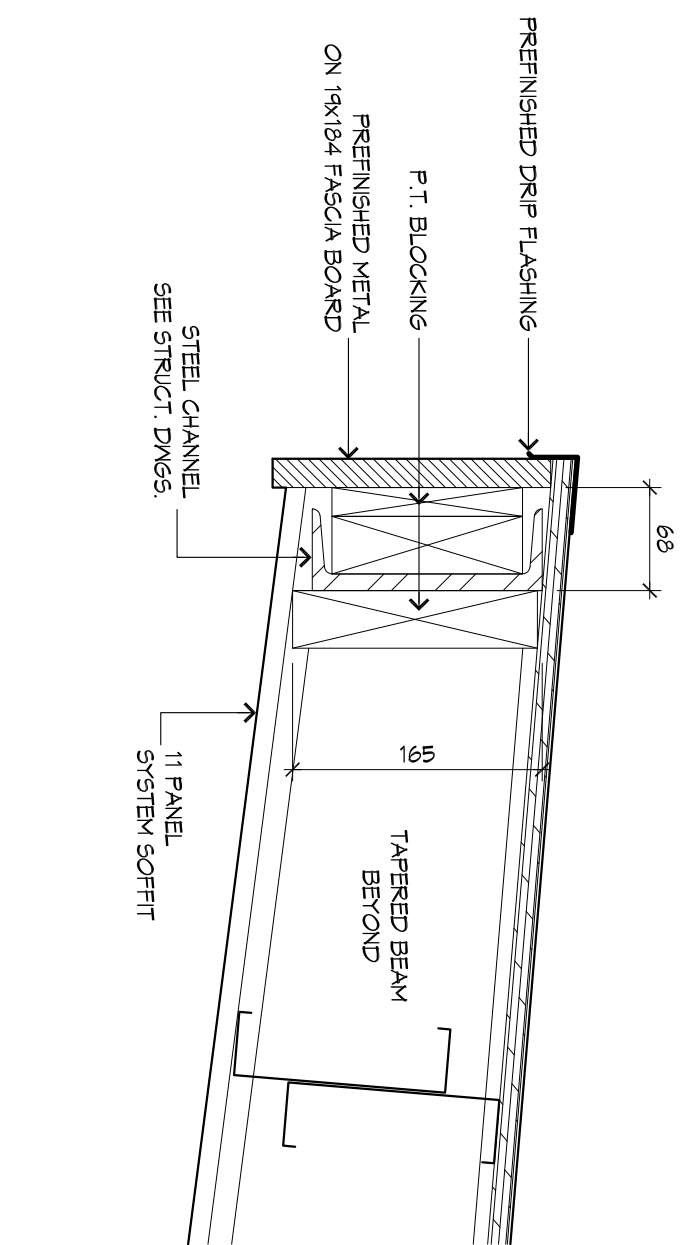


2 PLAN DETAIL
A600 SCALE 1:5

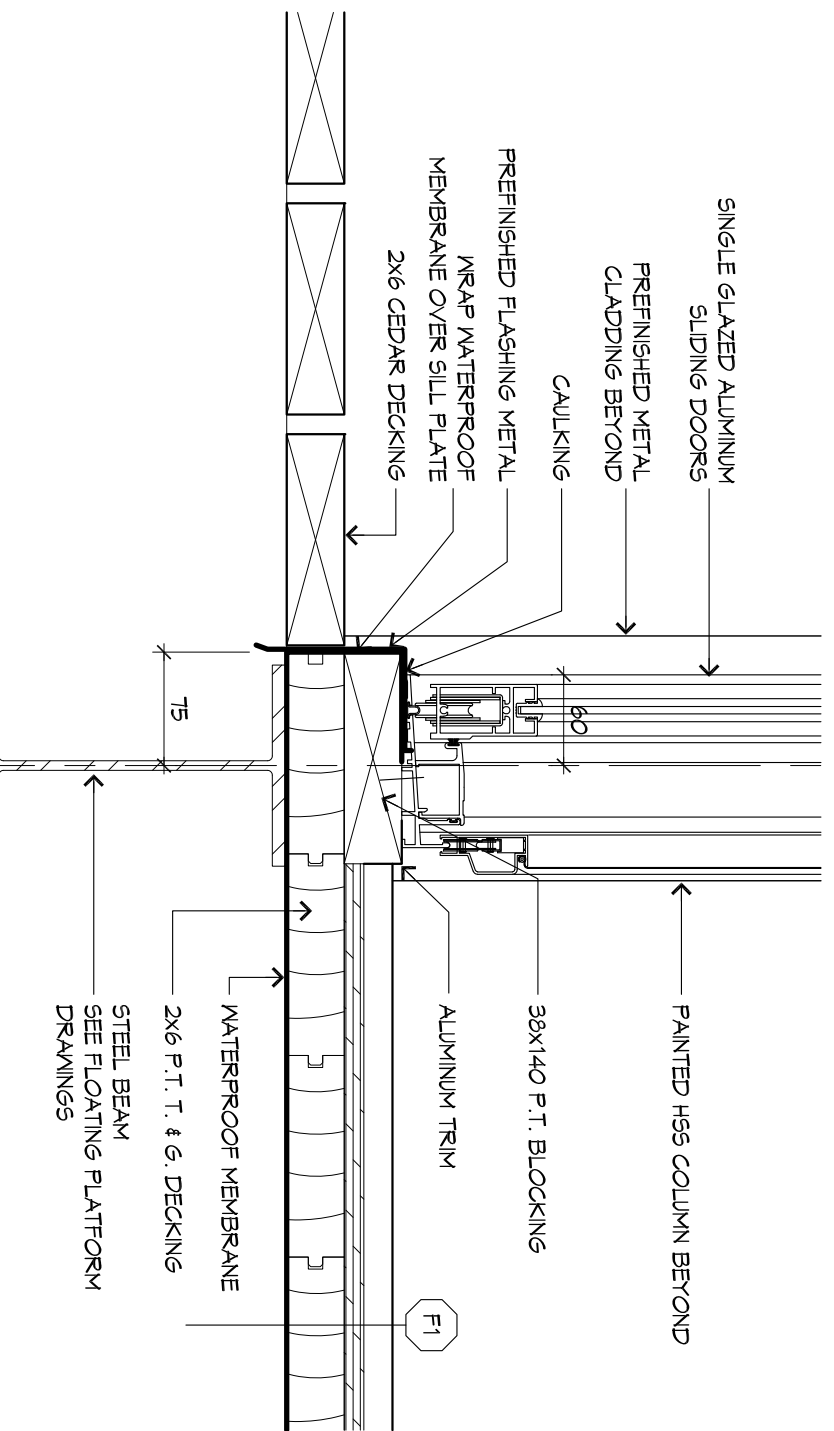


4 PLAN DETAIL
A600 SCALE 1:5

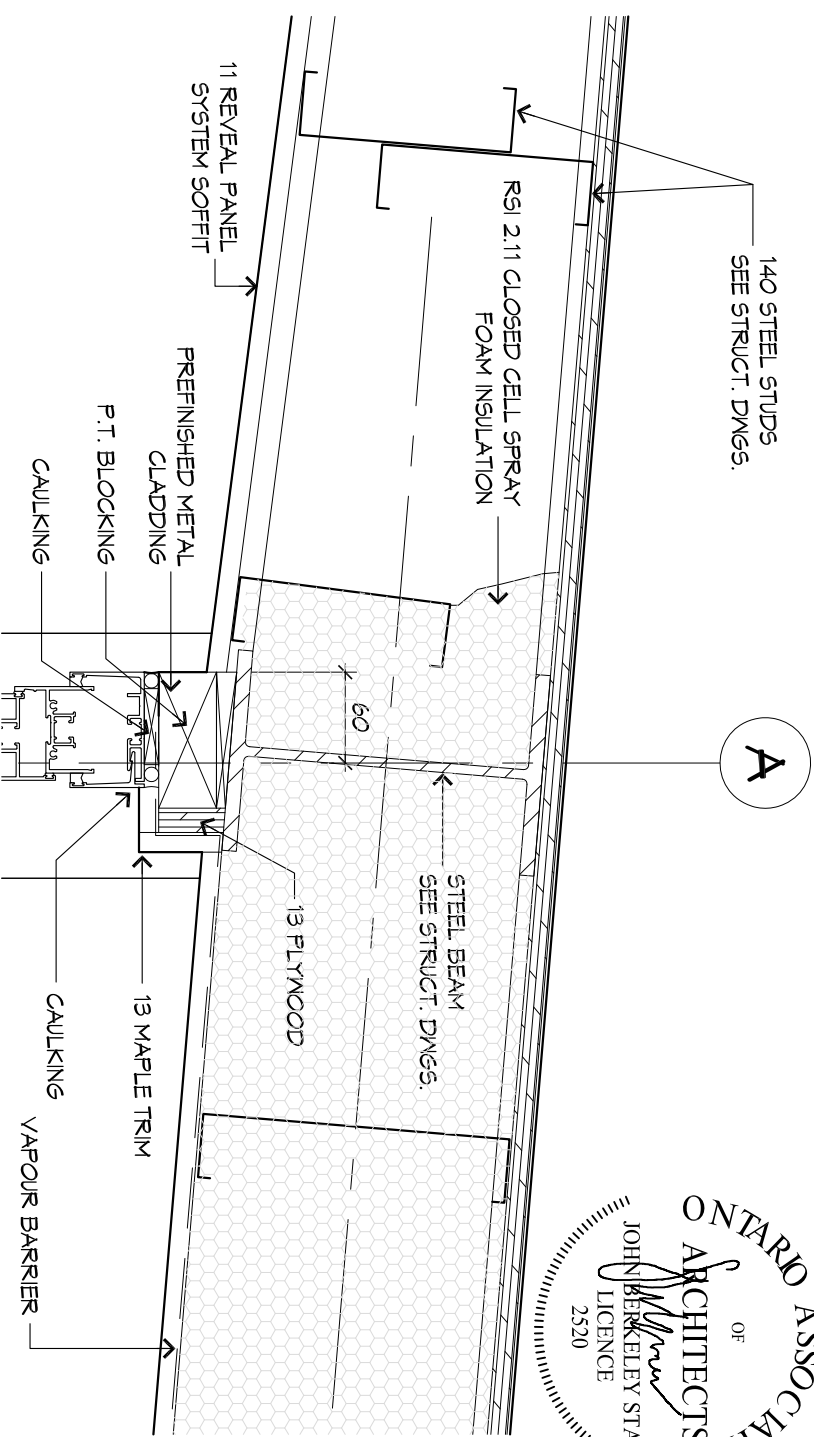




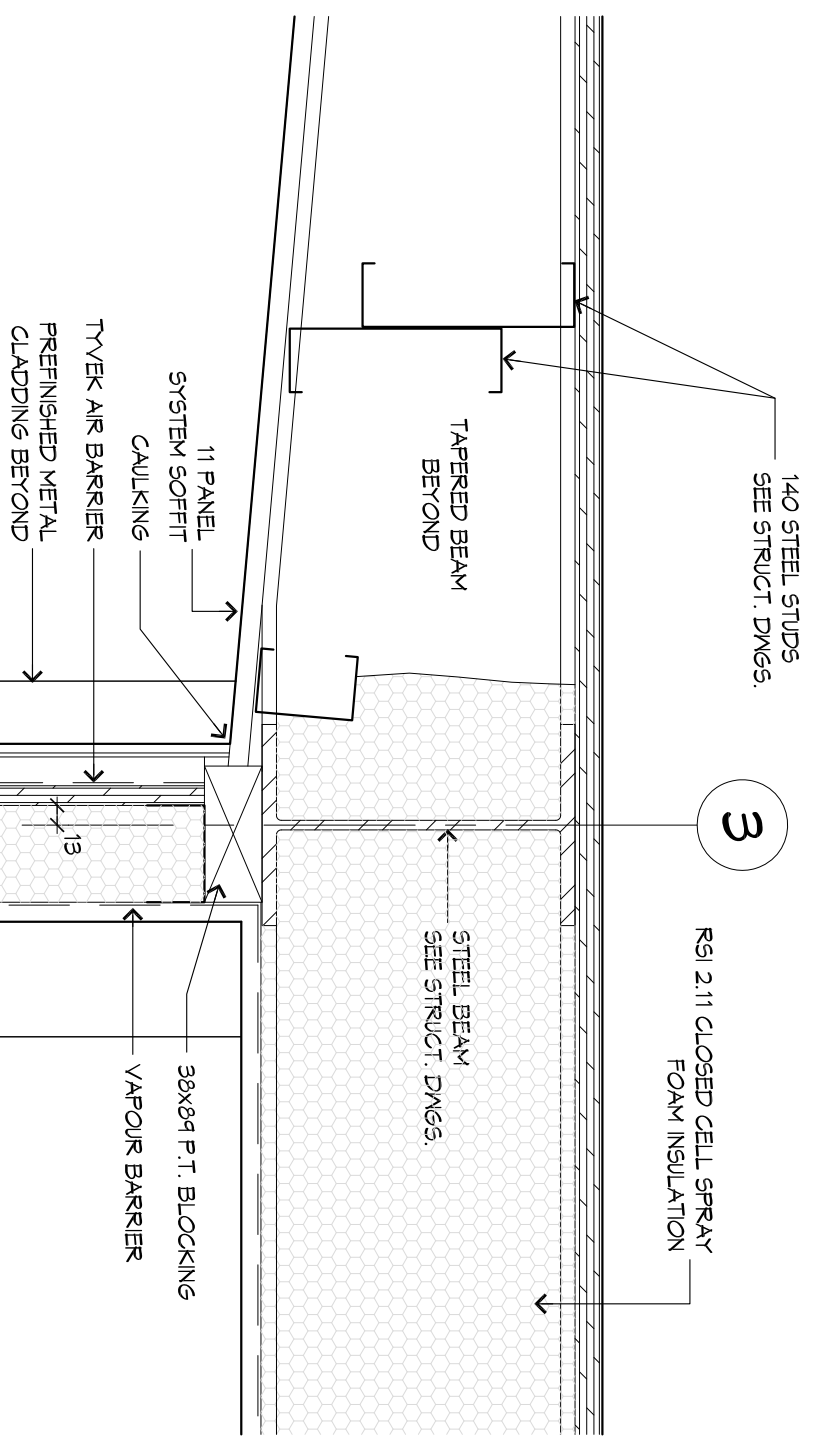
1 SECTION DETAIL
A601 SCALE 1:5



3 SECTION DETAIL
A601 SCALE 1:5

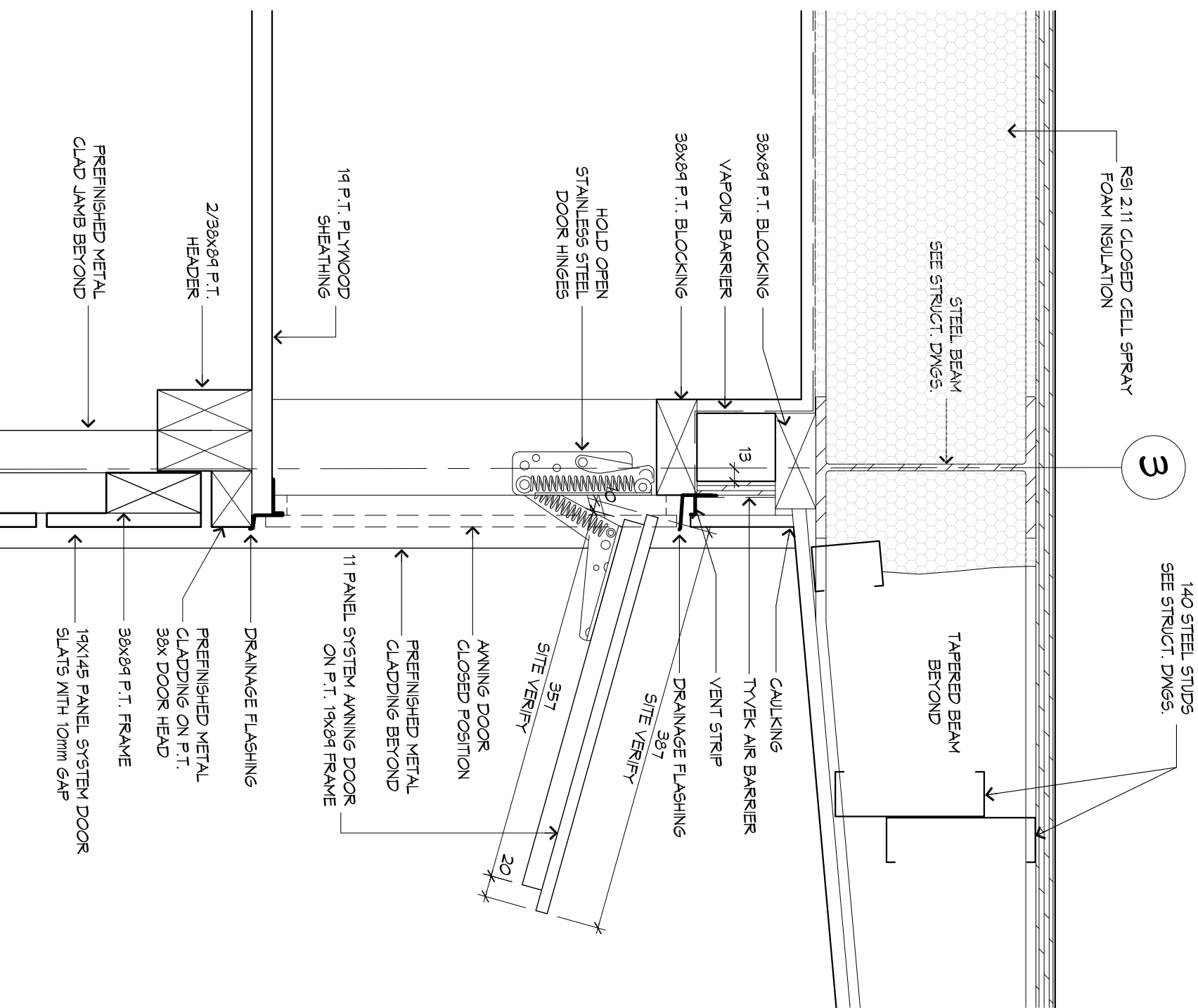


2 SECTION DETAIL
A601 SCALE 1:5

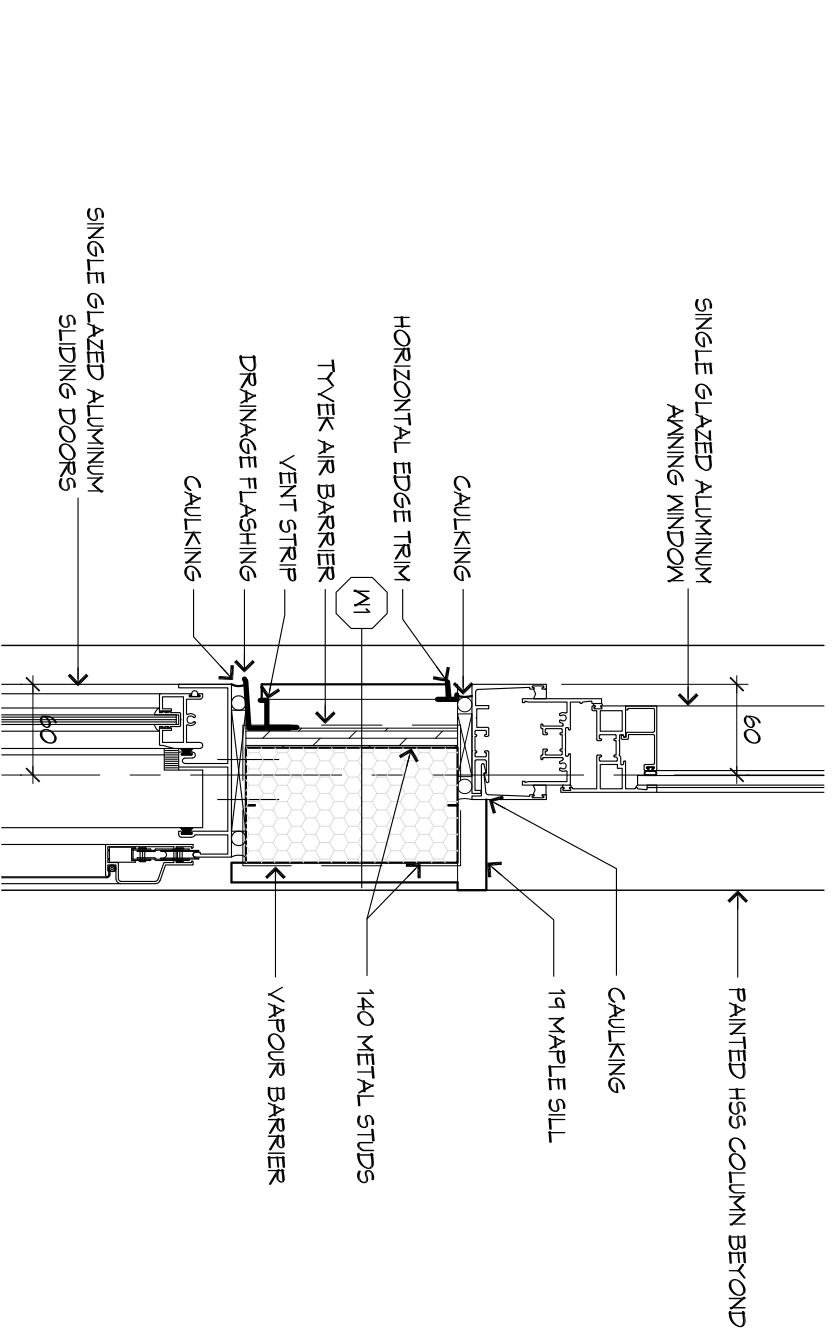


4 SECTION DETAIL
A601 SCALE 1:5

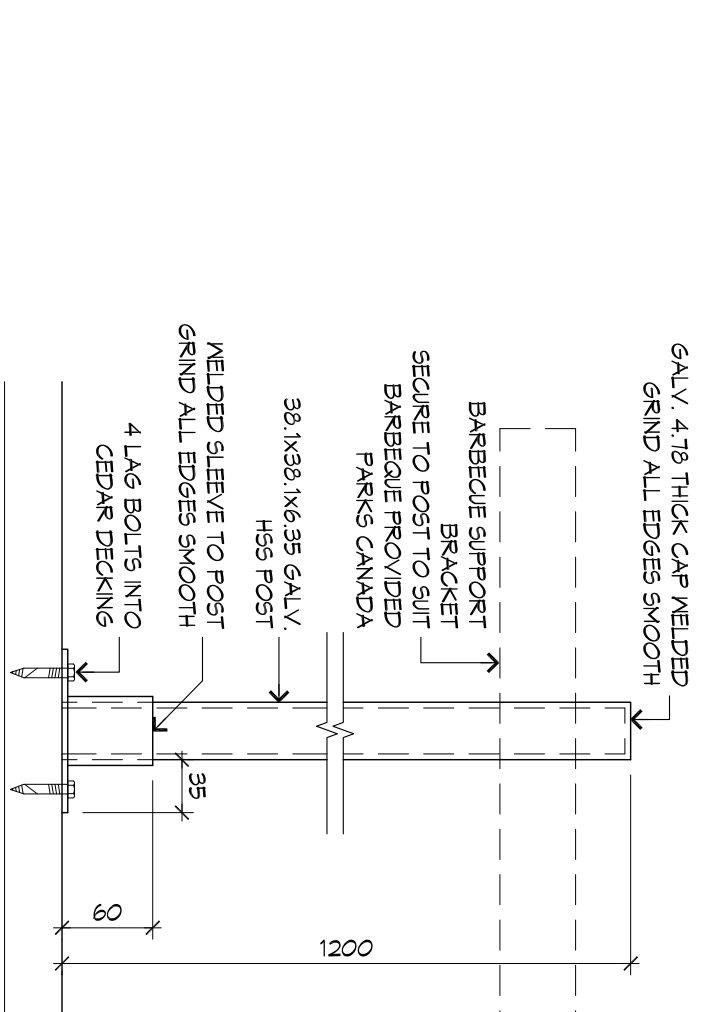




1 SECTION DETAIL
A602 SCALE 1:5

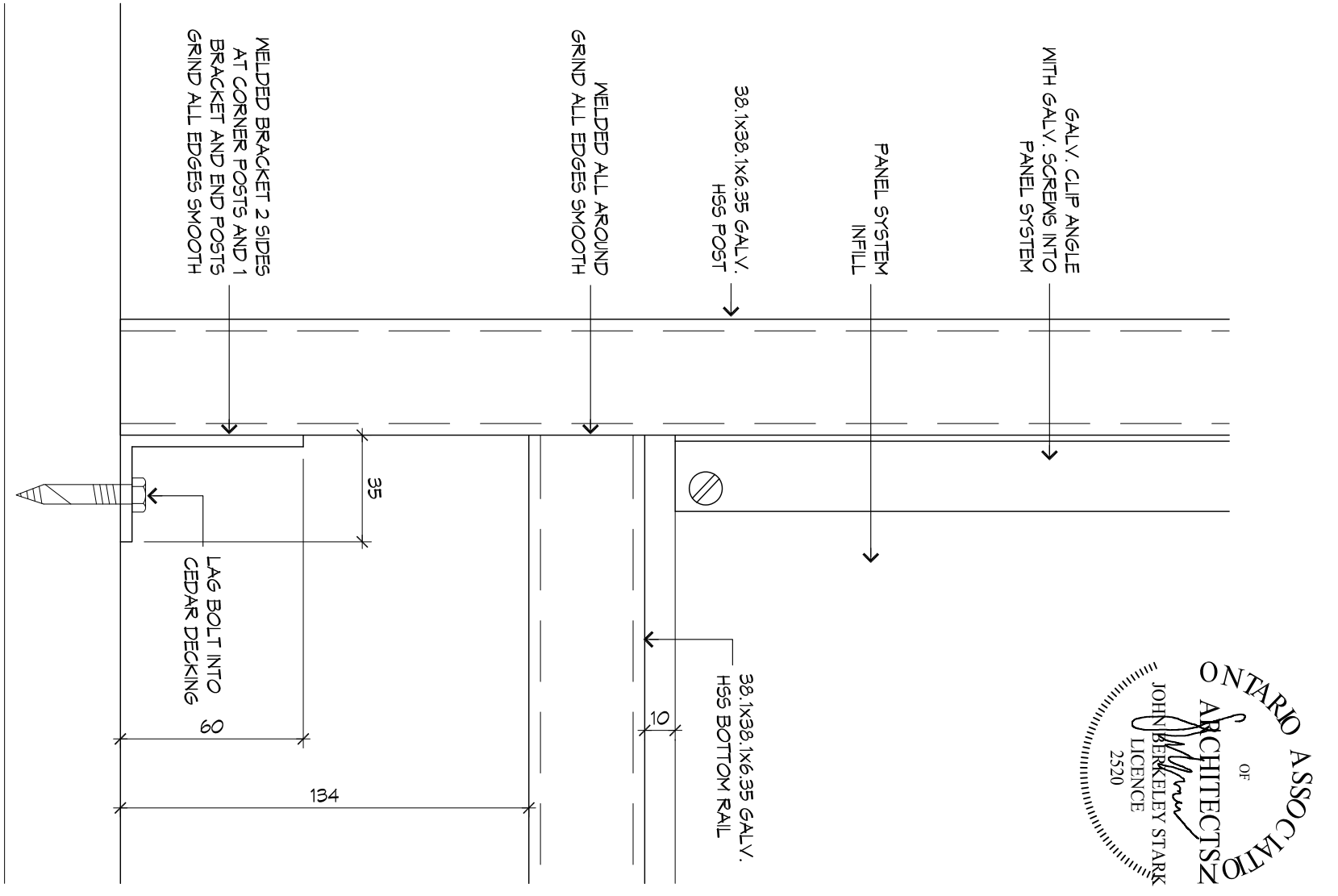
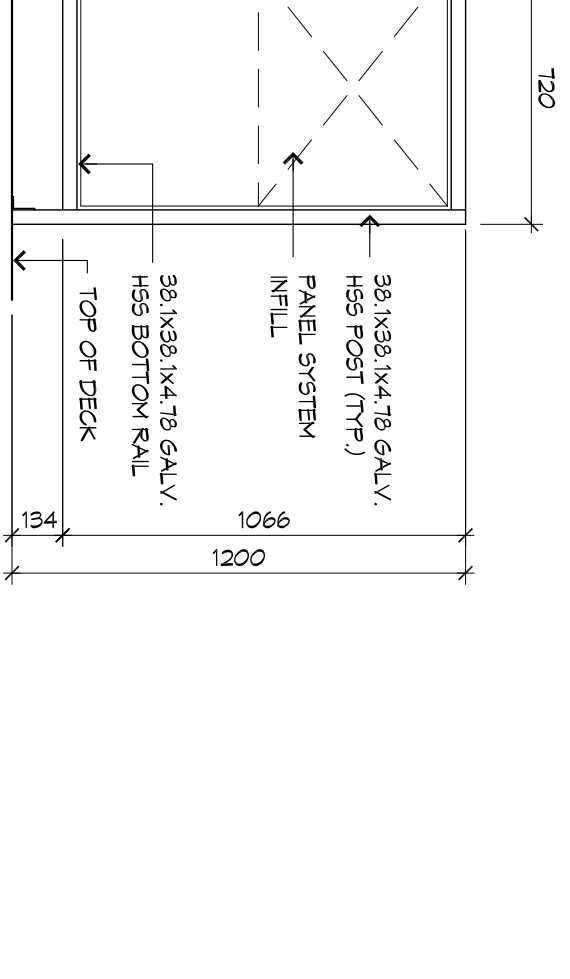
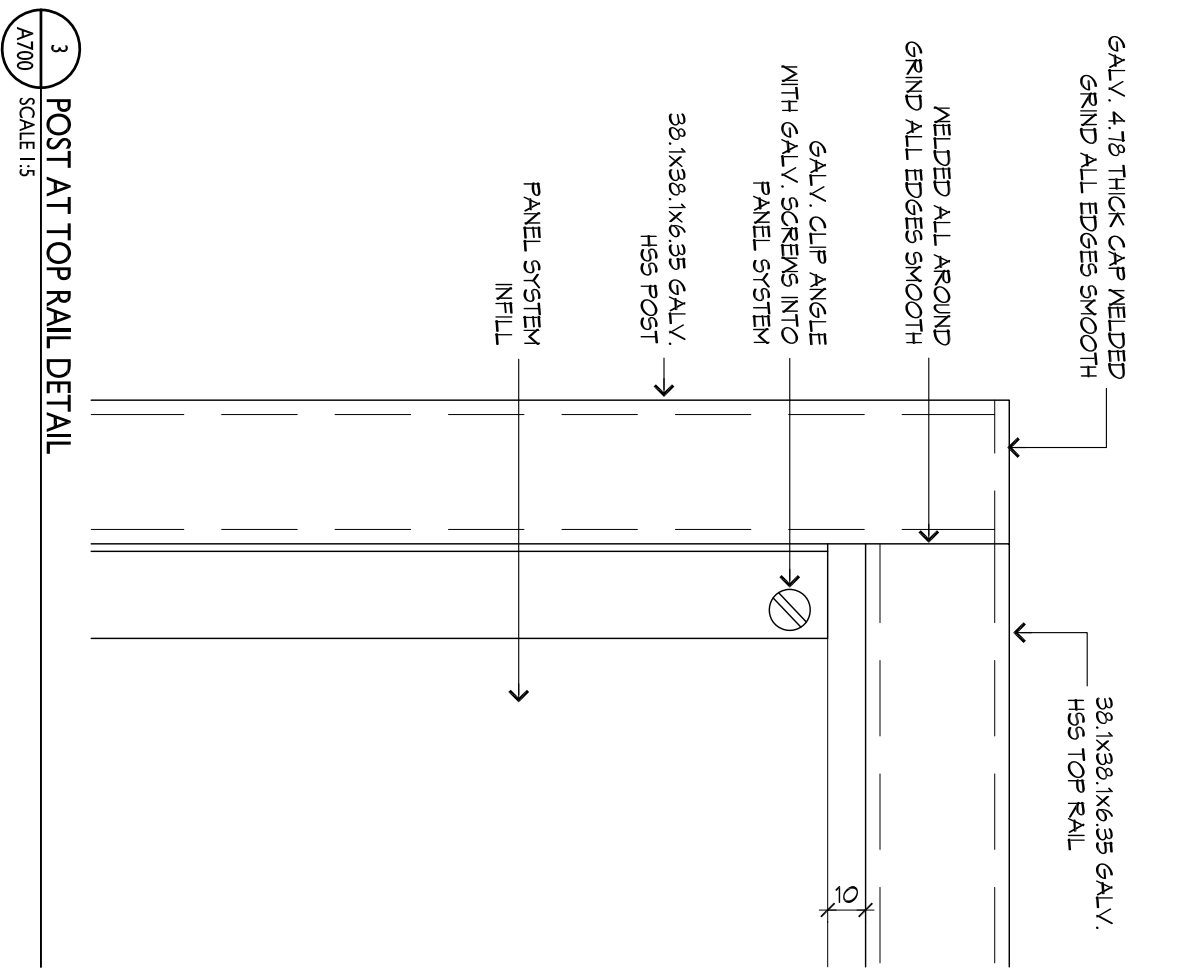
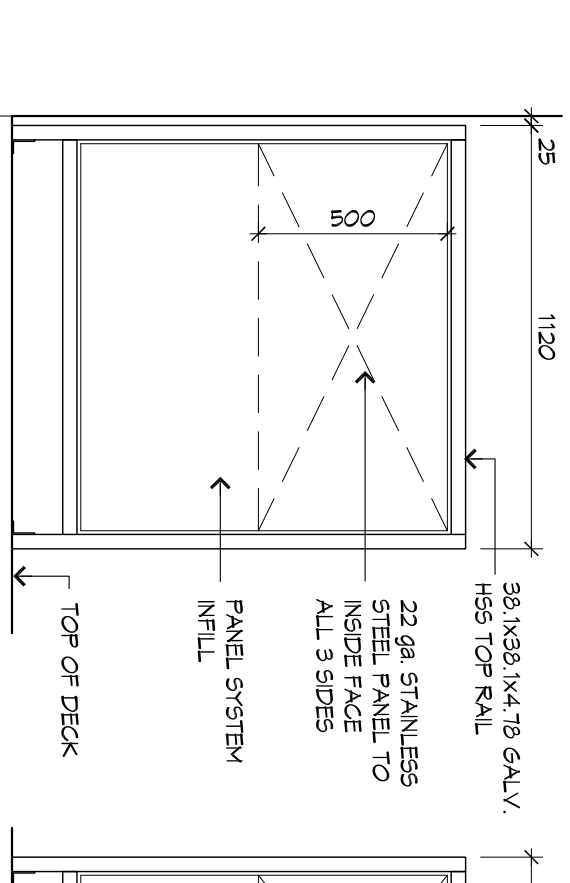
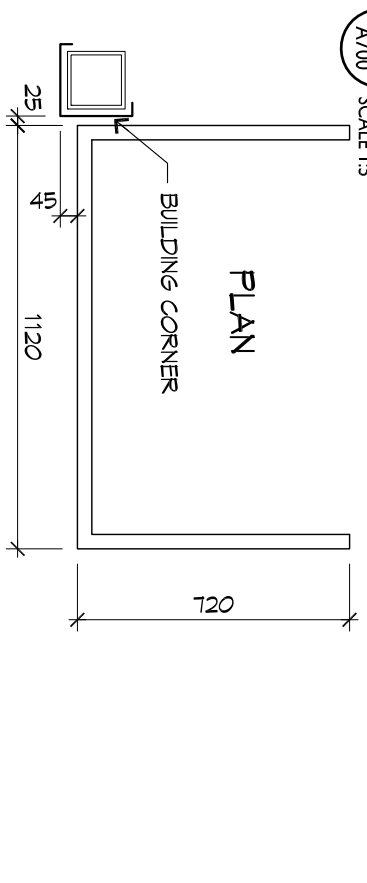
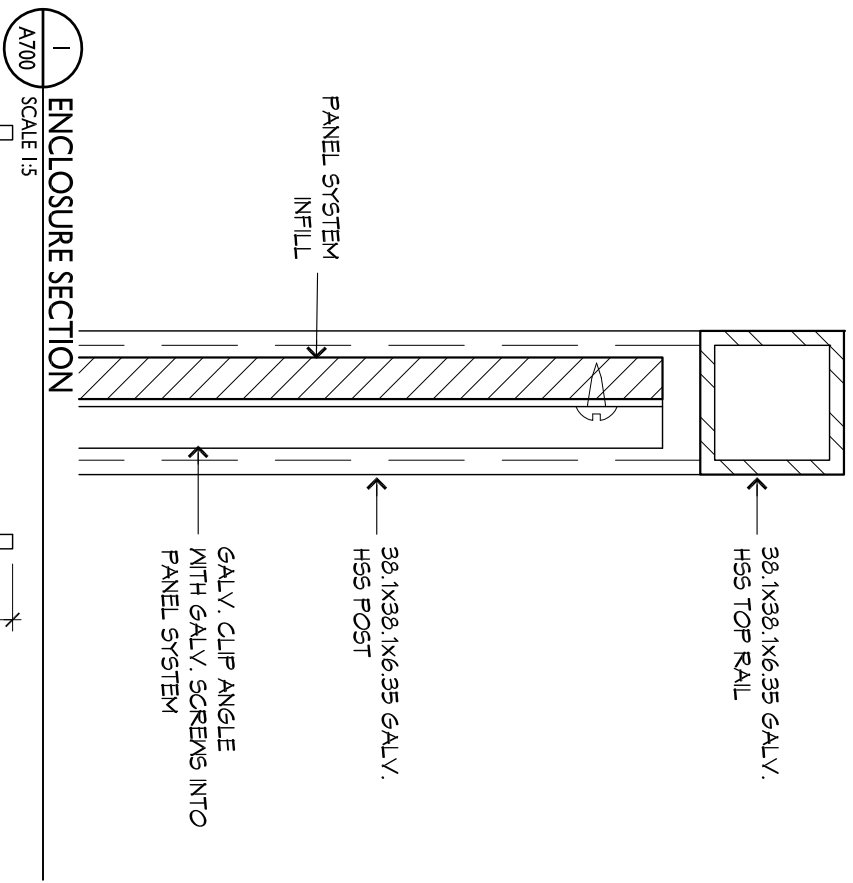


2 SECTION DETAIL
A602 SCALE 1:5



3 BARBECUE POST DETAIL
A602 SCALE 1:5



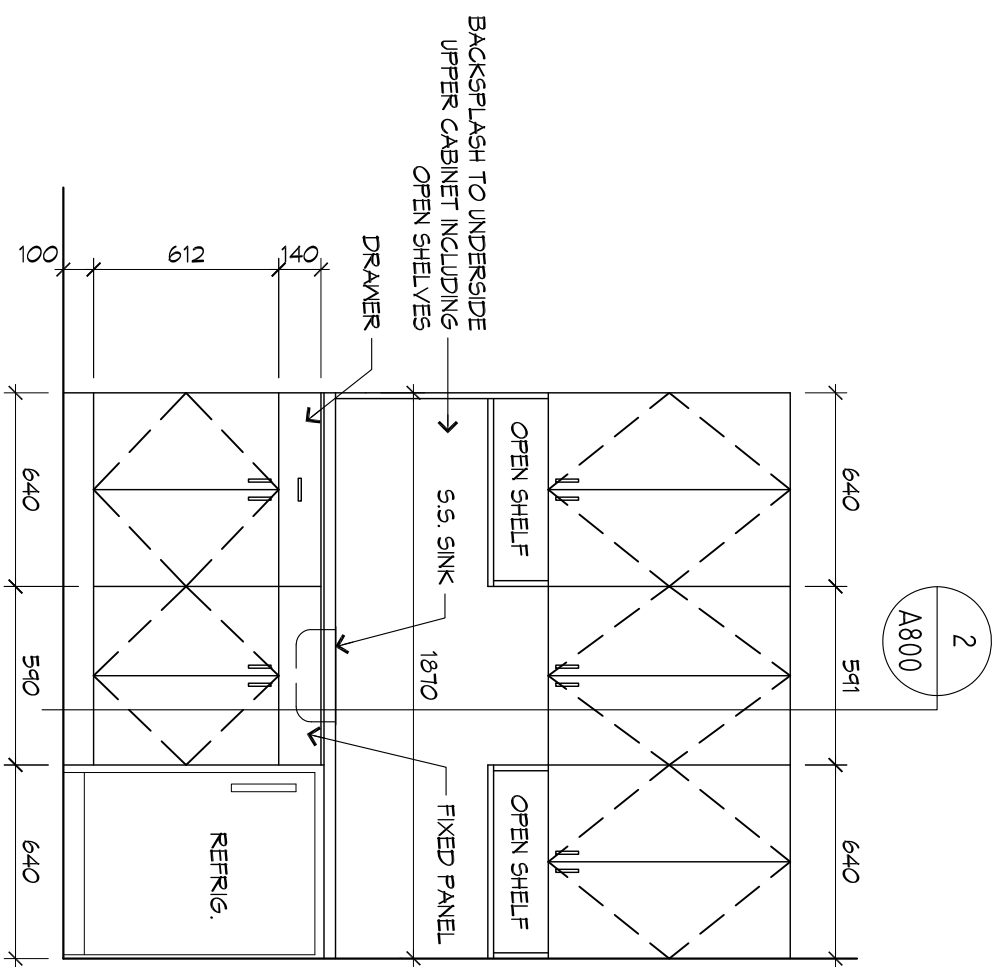


1 ENCLOSURE PLAN AND ELEVATIONS
A701 SCALE 1:20

3 POST AT TOP RAIL DETAIL
A700 SCALE 1:5

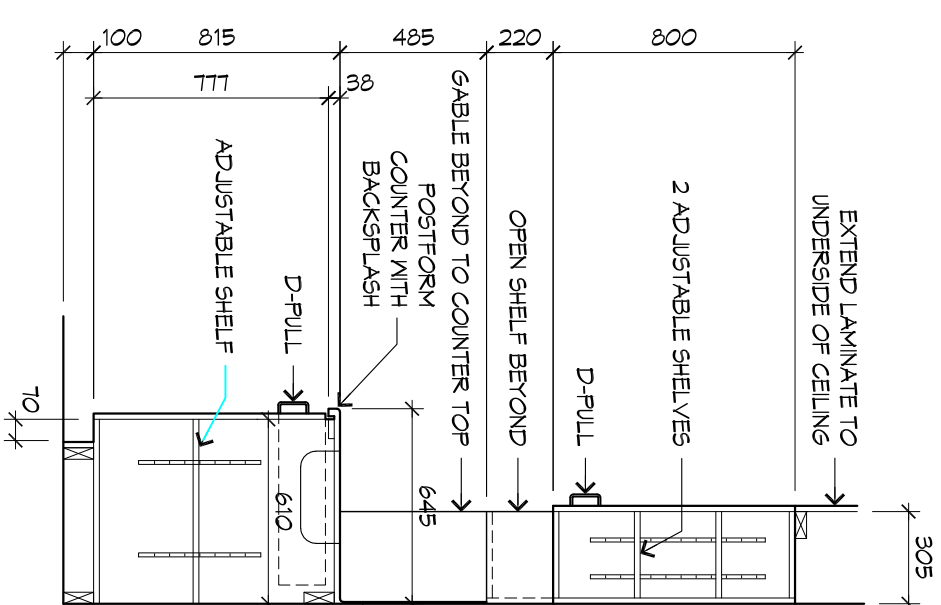
2 POST BASE DETAIL
A701 SCALE 1:5

ISSUED FOR TENDER: 03/17/17



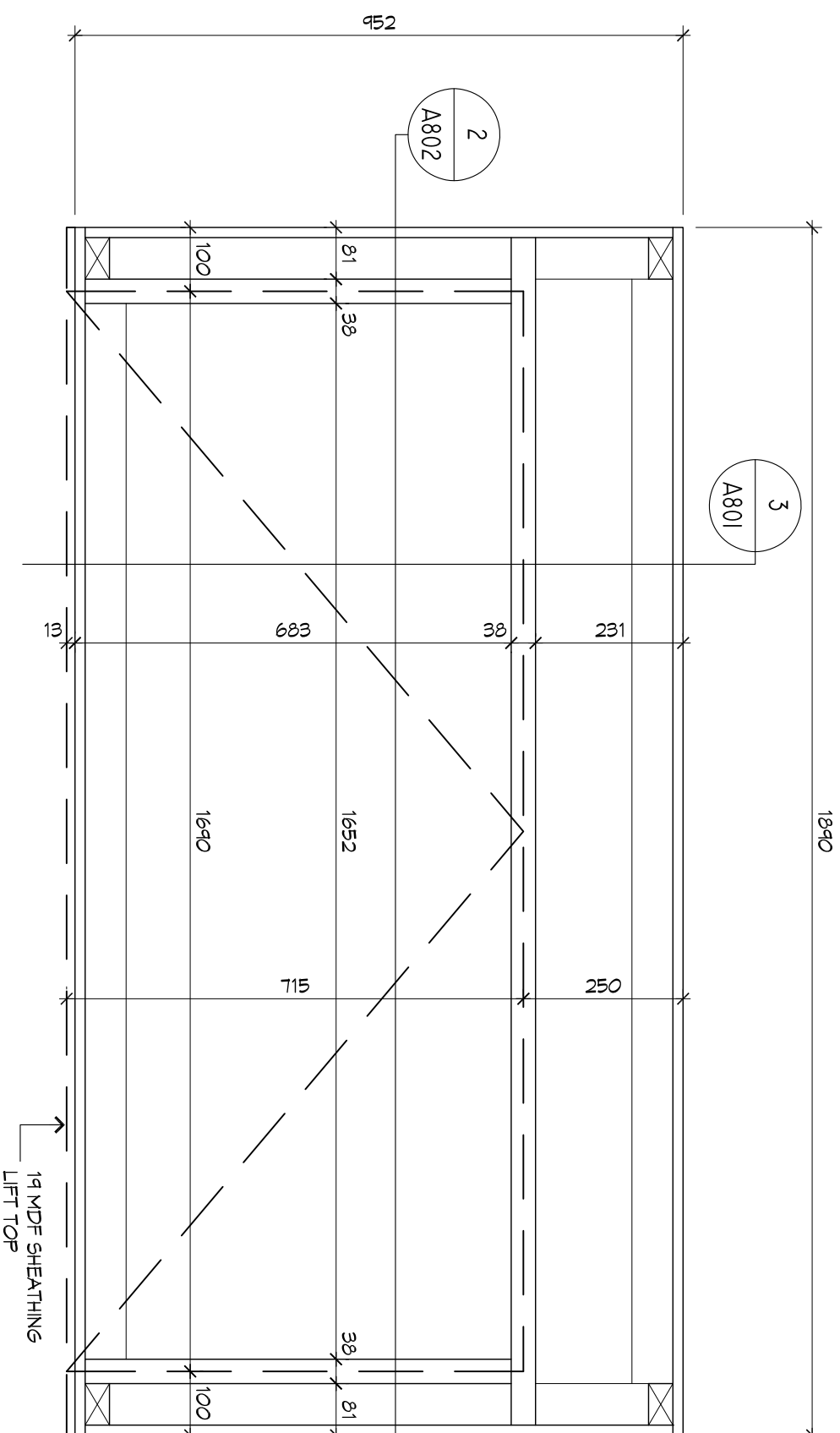
- NOTES:**
1. SITE CONFIRM DIMENSIONS PRIOR TO MILLWORK FABRICATION.
 2. CABINETS, DOORS AND SHELVES TO BE 19mm LAMINATE SHEATHING. COUNTER TOP TO BE SOLID SURFACE.
 3. COUNTER SINK SCREWS INTO MAPLE SHEATHING BEHIND WALL HUNG CABINETS. PROVIDE 13 PLYWOOD SHEATHING BEHIND BASE CABINETS.

1 KITCHEN CABINET ELEVATIONS
A800 / SCALE 1:25

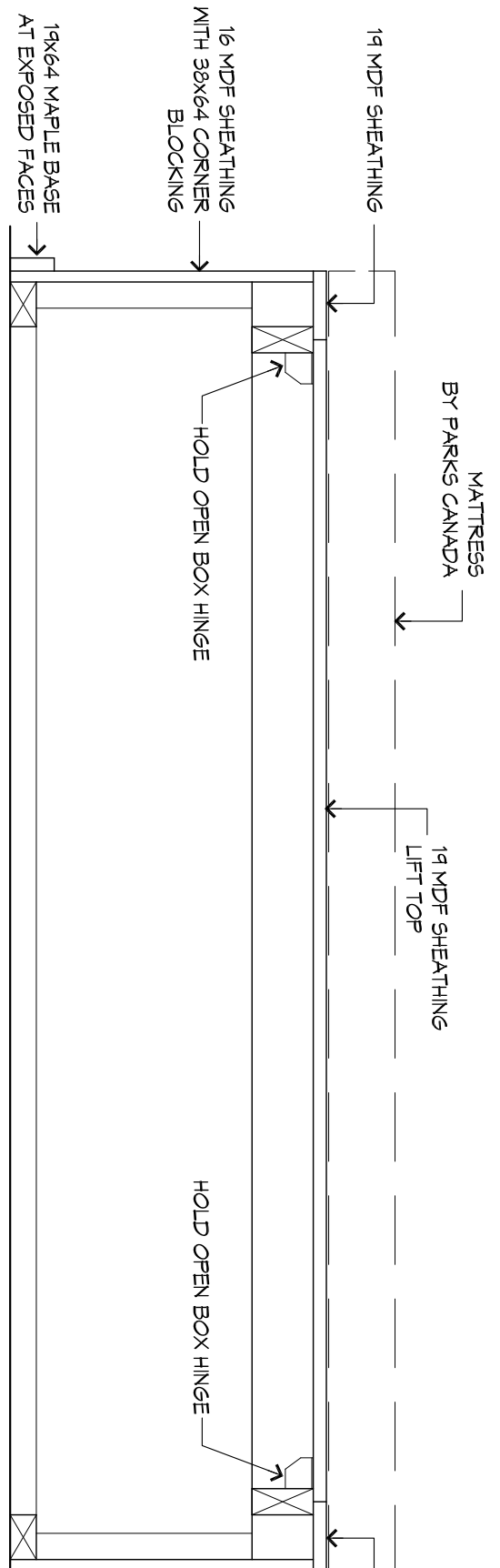


2 KITCHEN CABINET SECTION
A800 / SCALE 1:25

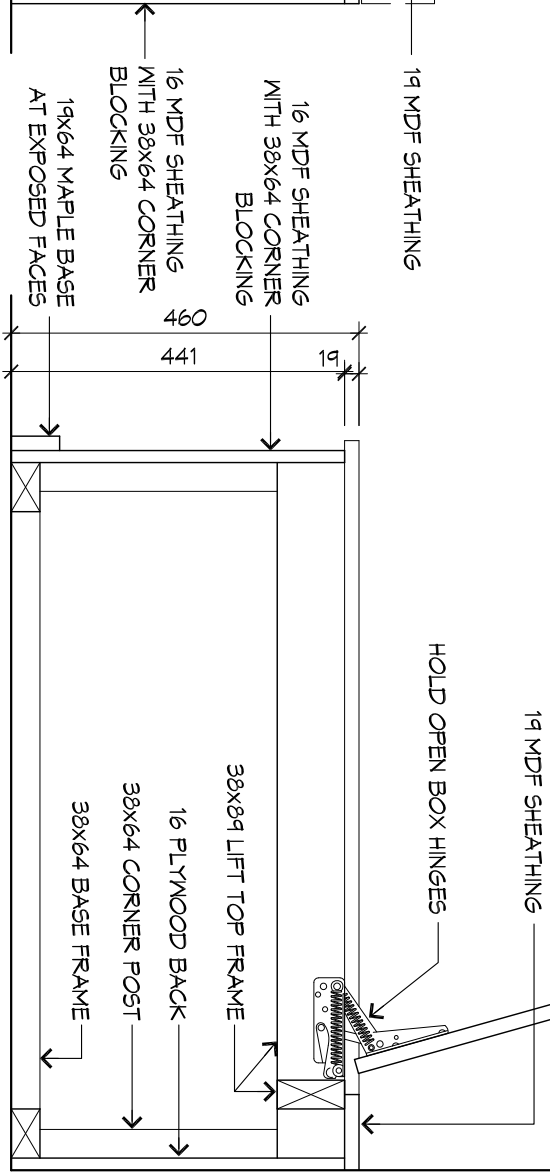




1 STORAGE BOX PLAN
SCALE 1:10
A801

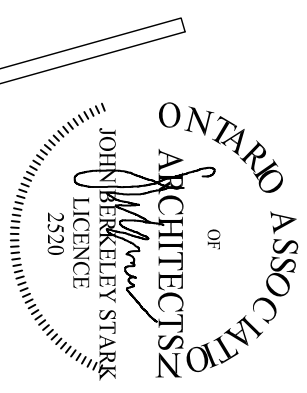


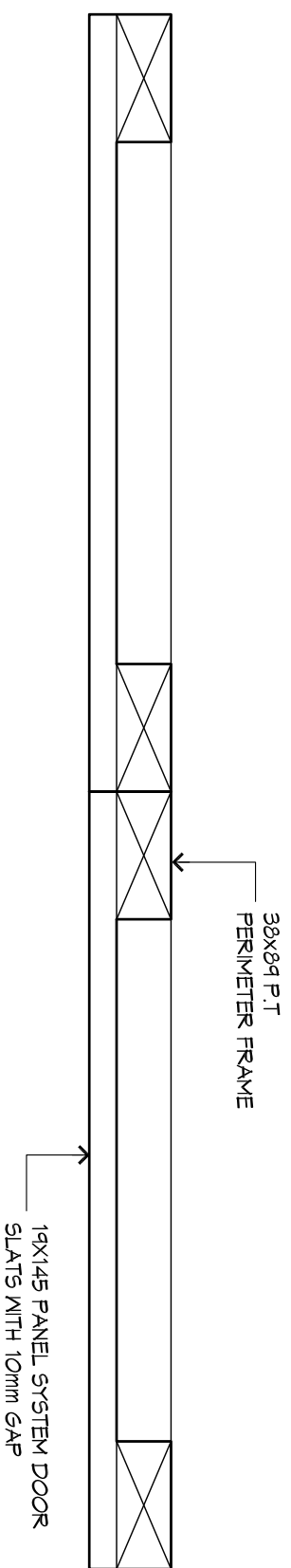
2 STORAGE BOX SECTION
SCALE 1:10
A801



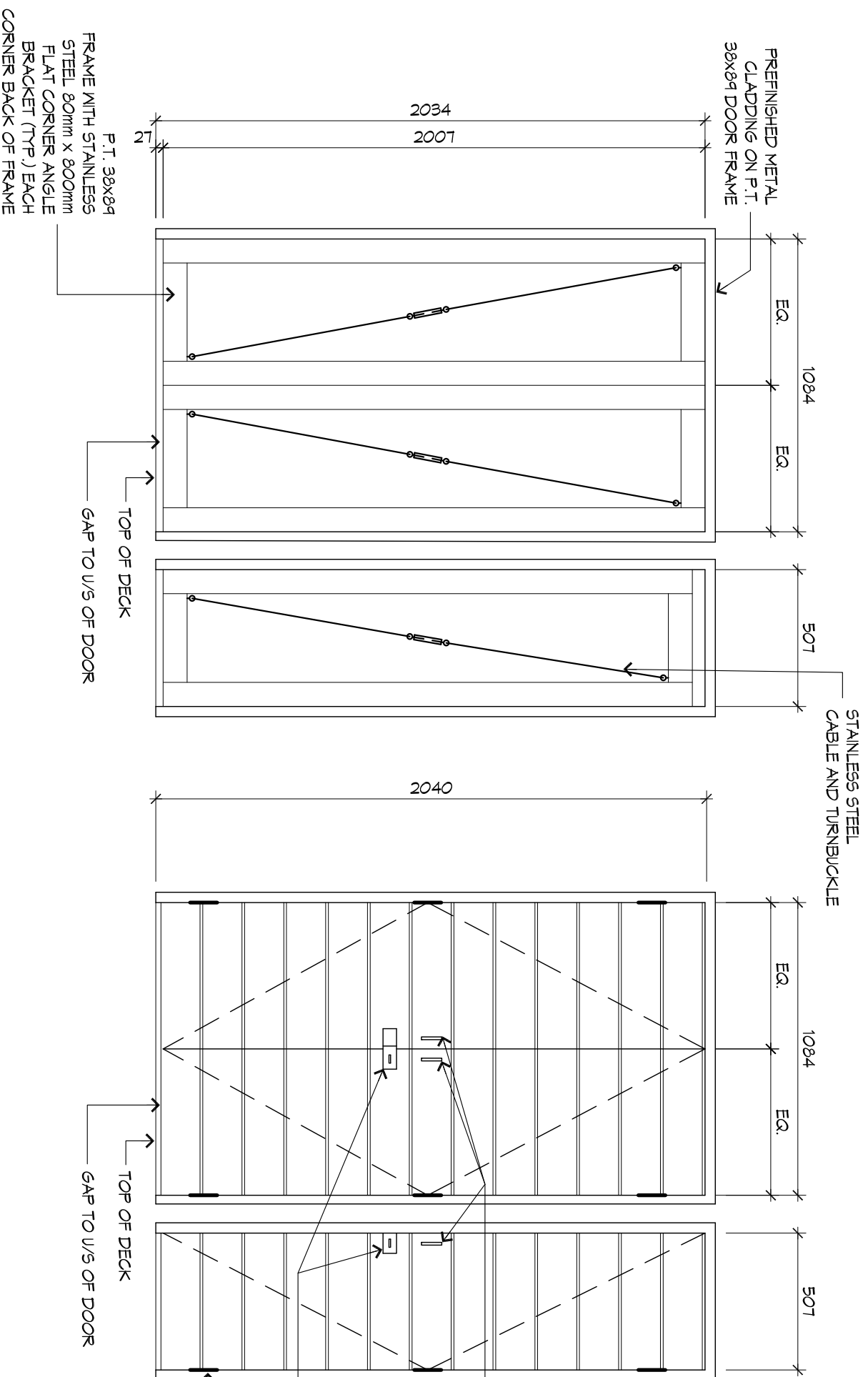
3 STORAGE BOX SECTION
SCALE 1:10
A801

- NOTES:
1. SITE CONFIRM DIMENSIONS PRIOR TO MILLWORK FABRICATION.
 2. SIDES, FRONT AND TOP TO BE 19 MDF SHEATHING SANDED SMOOTH WITH LACQUER FINISH. BACK TO BE 16 PLYWOOD SHEATHING
 3. PROVIDE STAINLESS STEEL SCREWS AND GROMMETS SPACED AT 300 O.C MAX. AT EXPOSED LOCATION. COUNTER SINK SCREWS CONCEALED AREAS, TOP AND INSIDE STORAGE BOX.
 4. STORAGE BOX TO BE FABRICATED OFF-SITE AND INSTALLED IN FINISH SPACE.

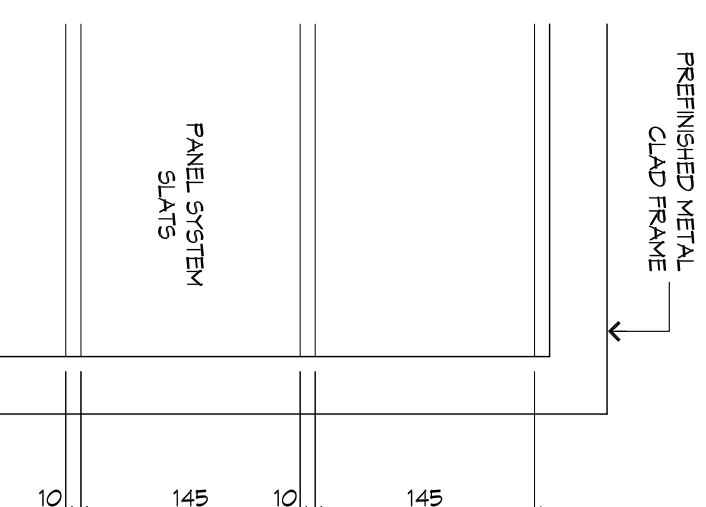




2 DOOR SECTION
A802 SCALE 1:5



1 PLAN DETAIL
A802 SCALE 1:20



3 DOOR ELEVATION DETAIL
A802 SCALE 1:5

- STAINLESS STEEL D-PULL HANDLES
- STAINLESS STEEL PADLOCK DOOR LATCHES LOCK BY PARKS CANADA
- 100X75X25 STAINLESS STEEL HINGES (3 PER DOOR)



CONSTRUCTION SCHEDULE

- (M1)** TYPICAL EXTERIOR WALL
11 REVEAL PANEL SYSTEM
1X3 KILN DRIED STRAPPING
TYVEK AIR BARRIER
13 EXTERIOR GRADE PLYWOOD
64 METAL STUDS @ 400 O.C.
CLOSED CELL SPRAY FOAM INSULATION
VAPOUR BARRIER
13 MAPLE VENEER WOOD PANELS
- (M2)** EXTERIOR WALL AT FIREPLACE
11 REVEAL PANEL SYSTEM
1X3 KILN DRIED STRAPPING
TYVEK AIR BARRIER
13 EXTERIOR GRADE PLYWOOD
140 METAL STUDS @ 400 O.C.
CLOSED CELL SPRAY FOAM INSULATION
VAPOUR BARRIER
13 MAPLE VENEER WOOD PANELS
- (M3)** EXTERIOR WALL AT FIREPLACE
11 REVEAL PANEL SYSTEM
1X3 KILN DRIED STRAPPING
TYVEK AIR BARRIER
13 EXTERIOR GRADE PLYWOOD
64 METAL STUDS @ 400 O.C.
CLOSED CELL SPRAY FOAM INSULATION
VAPOUR BARRIER
- (M4)** EXTERIOR WALL AT TOILET ROOM
11 REVEAL PANEL SYSTEM
1X3 KILN DRIED STRAPPING
TYVEK AIR BARRIER
13 EXTERIOR GRADE PLYWOOD
64 METAL STUDS @ 400 O.C.
CLOSED CELL SPRAY FOAM INSULATION
VAPOUR BARRIER
13 EXTERIOR GRADE PLYWOOD
SHEATHING GOOD ONE SIDE
- (M5)** EXTERIOR WALL AT KITCHEN
13 PLYWOOD SHEATHING
VAPOUR BARRIER
CLOSED CELL SPRAY FOAM INSULATION
42 METAL STUDS @ 400 O.C.
TYVEK AIR BARRIER
13 EXTERIOR GRADE PLYWOOD SHEATHING
- (M6)** INTERIOR WALL AT TOILET ROOM
13 MAPLE VENEER WOOD PANELS
VAPOUR BARRIER
CLOSED CELL SPRAY FOAM INSULATION
64 METAL STUDS @ 400 O.C.
TYVEK AIR BARRIER
13 EXTERIOR GRADE PLYWOOD
SHEATHING GOOD ONE SIDE
- (M7)** EXTERIOR STORAGE WALL
13 EXTERIOR GRADE PLYWOOD SHEATHING
64 METAL STUDS @ 400 O.C.
13 EXTERIOR GRADE PLYWOOD SHEATHING
- (M8)** EXTERIOR STORAGE AT TOILET ROOM
13 EXTERIOR GRADE PLYWOOD
SHEATHING GOOD ONE SIDE
VAPOUR BARRIER
CLOSED CELL SPRAY FOAM INSULATION
64 METAL STUDS @ 400 O.C.
TYVEK AIR BARRIER
13 EXTERIOR GRADE PLYWOOD SHEATHING
- (M9)** INTERIOR PARTITION
13 MAPLE VENEER WOOD PANELS
64 METAL STUDS @ 400 O.C.
13 MAPLE VENEER WOOD PANELS
- (R1)** ROOF CONSTRUCTION
FULLY ADHERED SINGLE PLY MEMBRANE
16 T. & G. PLYWOOD SHEATHING
203 STEEL STUDS @ 400 O.C.
CLOSED CELL SPRAY FOAM INSULATION
VAPOUR BARRIER
13 MAPLE VENEER WOOD PANELS
- (F1)** FLOOR CONSTRUCTION
PREFINISHED BAMBOO FLOORING
13 EXTERIOR GRADE PLYWOOD
2X6 P.T. T. & G. DECKING ON
STEEL FRAME DOCK PLATFORM
- NOTE:
ALL DIMENSIONS ARE IN MILLIMETERS.
- 1** ENTRY DOOR
863mm x 2035mm
PREFINISHED METAL DOOR
5/M SCREEN DOOR
- 2** TOILET DOOR
710mm x 2035mm
PREFINISHED METAL DOOR
SOLID PANEL TYPE

