

NO.	DESCRIPTION	ISSUE FOR TENDER	DATE	RCM
612	SOLENOID CABINET WIRING SC-M8-3			
124	DIGITAL INPUT WIRING NODE 3 MODULE 11	1	2017/03/24	RCM
123	DIGITAL INPUT WIRING NODE 3 MODULE 10	0	2017/03/03	RCM
123	DIGITAL INPUT WIRING NODE 3 MODULE 10	No		

NO.	REVISION DESCRIPTION	DATE (Y/M/D)	DRAWN	CKD	APPD
1	ISSUE FOR TENDER	2017/03/24	RCM		
0	ISSUE FOR CLIENT REVIEW	2017/03/03	RCM		

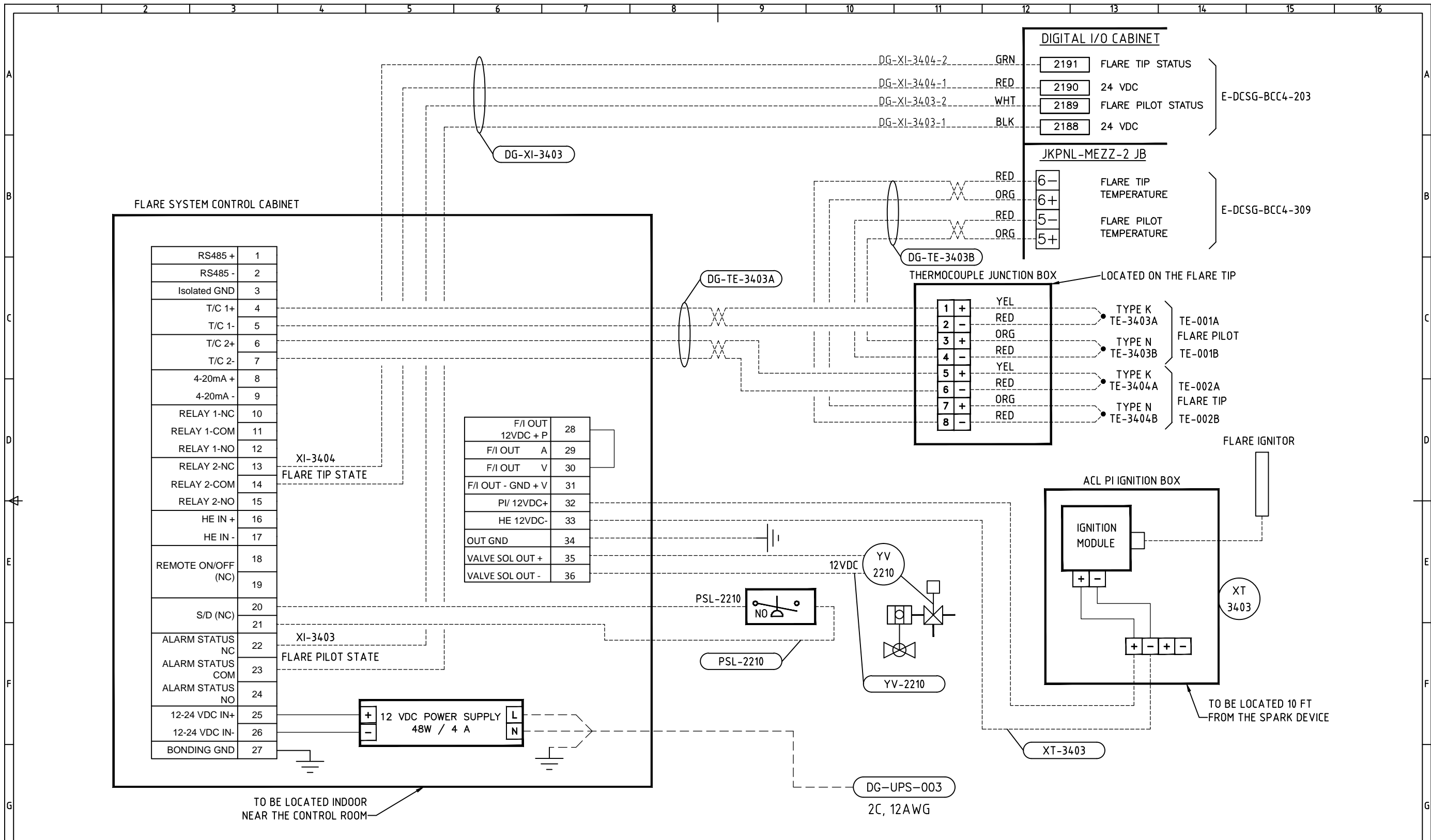
excellence by design  
www.miron.com

CLIENT: Natural Resources Canada / Ressources naturelles Canada, CANMET Energy Technology Center / Centre de la technologie de l'énergie de CANMET

DESIGNED: R. McNAIR  
DRAWN: R. McNAIR  
CHECKED: [ ]  
APPROVED: [ ]  
DATE: 2016/11/11  
SCALE: NONE

PROJECT: NRCAN CANMET DCSG/HIPROX  
TITLE: ELECTRICAL DCSG-HIPROX BMS CABINET EXTERNAL WIRING

USER	PROJECT	BUILDING	DRAWING	REV.
E	DCSG	BCC4	901	1



NO	REVISION DESCRIPTION	DATE (Y/M/D)	DRAWN	CKD	APPD
1	ISSUE FOR TENDER	2017/03/24	RCM		
0	ISSUE FOR CLIENT REVIEW	2016/12/14	RCM		

REFERENCE DRAWINGS

REVISION REGISTER

**miniton**  
excellence by design  
www.miniton.com

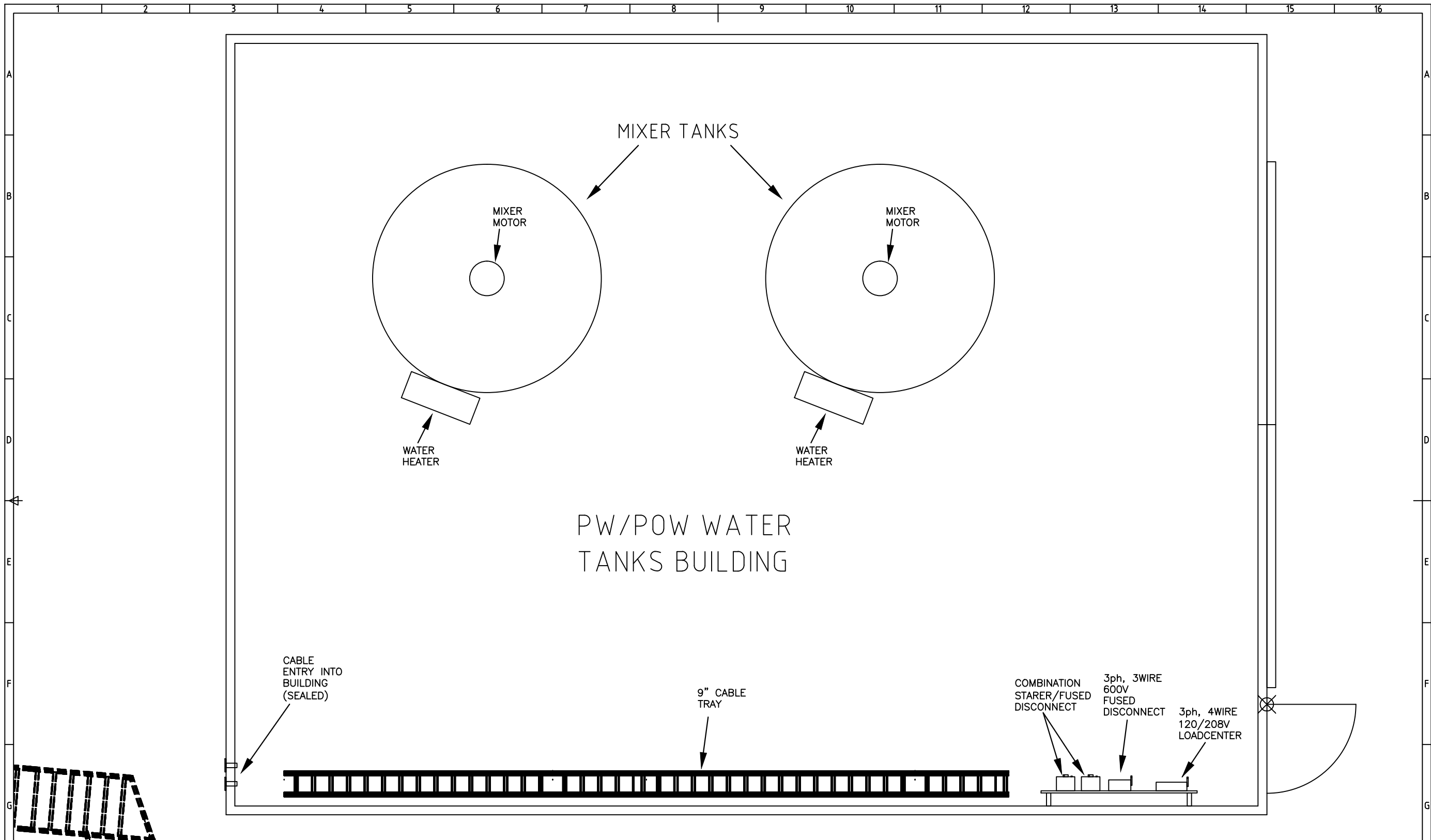
CLIENT: **Canada**  
Natural Resources Canada / Ressources naturelles Canada  
CANMET Energy Technology Center / Centre de la technologie de l'énergie de CANMET

DESIGNED: R. McNAIR  
DRAWN: R. McNAIR  
CHECKED:  
APPROVED:  
DATE: 2016/11/11  
SCALE: NONE

PROJECT: NRCAN CANMET DCSG/HIPROX  
TITLE: ELECTRICAL DCSG-HIPROX FLARE SYSTEM EXTERNAL WIRING

USER	PROJECT	BUILDING	DRAWING	REV.
E	DCSG	BCC4	903	1





PW/POW WATER  
TANKS BUILDING

No	REVISION DESCRIPTION	DATE (Y/M/D)	DRAWN	CKD	APPD
1	ISSUE FOR TENDER	2017/03/24	RCM		
0	ISSUE FOR CLIENT REVIEW	2017/03/06	RCM		

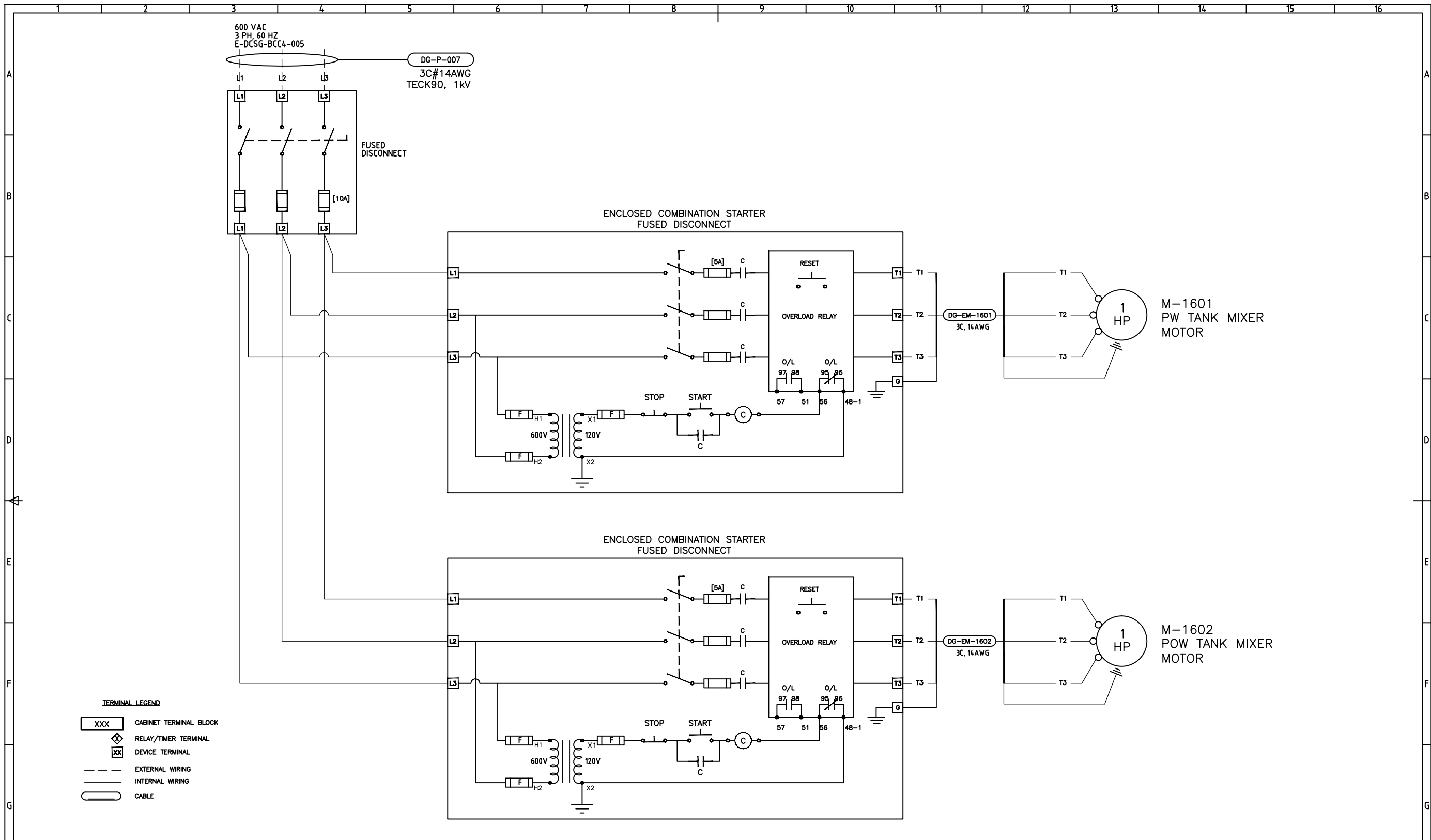
REFERENCE DRAWINGS		REVISION REGISTER				

**miriton**  
excellence by design  
www.miriton.com

CLIENT  
**Canada**  
Natural Resources Canada  
Ressources naturelles Canada  
CANMET Energy Technology Center  
Centre de la technologie de l'énergie de CANMET

DESIGNED R. McNAIR
DRAWN R. McNAIR
CHECKED
APPROVED
DATE 2017/03/03
SCALE NONE

PROJECT NRCAN CANMET DCSG/HIPROX				
TITLE ELECTRICAL DCSG-HIPROX PW/POW TANKS BUILDING LAYOUT				
USER E	PROJECT DCSG	BUILDING BCC4	DRAWING 920	REV. 1



**TERMINAL LEGEND**

XXX	CABINET TERMINAL BLOCK
◇	RELAY/TIMER TERMINAL
XX	DEVICE TERMINAL
---	EXTERNAL WIRING
---	INTERNAL WIRING
—	CABLE

NO	REVISION DESCRIPTION	DATE (Y/M/D)	DRAWN	CKD	APPD
1	ISSUE FOR TENDER	2017/03/24	RCM		
0	ISSUE FOR CLIENT REVIEW	2017/03/06	RCM		

005 POWER DIST SINGLE LINE DIAGRAM

REFERENCE DRAWINGS

REVISION REGISTER

excellence by design  
www.miniton.com

Natural Resources Canada  
Ressources naturelles Canada  
CANMET Energy Technology Center  
Centre de la technologie de l'énergie de CANMET

DESIGNED  
R. McNAIR

DRAWN  
R. McNAIR

CHECKED

APPROVED

DATE  
2016/11/11

SCALE  
NONE

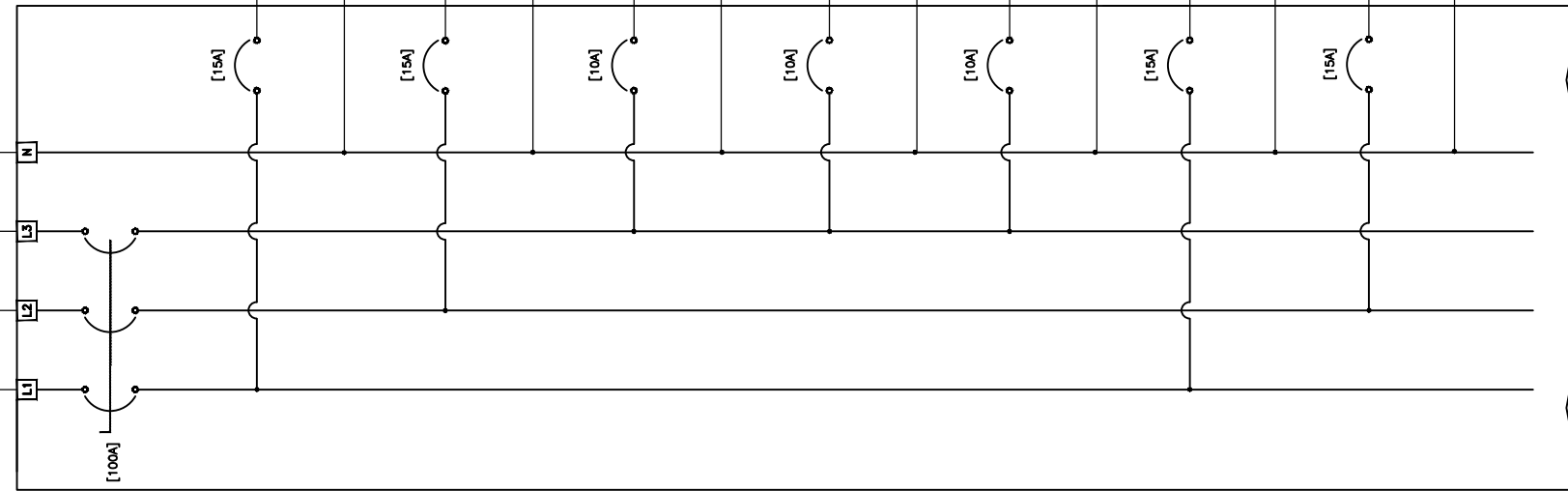
PROJECT  
NRCAN CANMET DCSG/HIPROX

TITLE  
ELECTRICAL  
DCSG-HIPROX  
PW/POW TANKS BUILDING  
M-1601, M1602 MIXER MOTORS

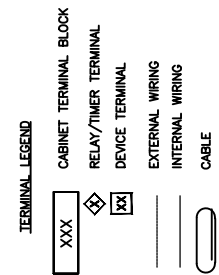
USER	PROJECT	BUILDING	DRAWING	REV.
E	DCSG	BCC4	921	1

208/120 VAC  
3 PH, 60 HZ  
E-DCSG-BCC4-005

DC-P-006  
4C# 3AWG  
TECK90, 1kV



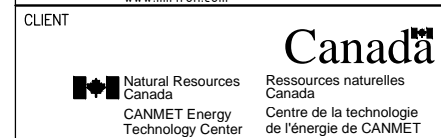
3ph, 4WIRE  
120/208V  
LOADCENTER  
(eg. EATON 3CBM18CU BOLT-ON)



No	REVISION DESCRIPTION	DATE (Y/M/D)	DRAWN	CKD	APPD
1	ISSUE FOR TENDER	2017/03/24	RCM		
0	ISSUE FOR CLIENT REVIEW	2017/03/06	RCM		

REFERENCE DRAWINGS

REVISION REGISTER



DESIGNED	R. McNAIR
DRAWN	R. McNAIR
CHECKED	
APPROVED	
DATE	2017/03/03
SCALE	NONE

PROJECT				
NRCAN CANMET DCSG/HIPROX				
TITLE				
ELECTRICAL DCSG-HIPROX PW/POW TANKS BUILDING 120V HEATERS, LIGHTS, RECEPTACLES				
USER	PROJECT	BUILDING	DRAWING	REV.
E	DCSG	BCC4	922	1