

SECT NO	UNIT NO	UNIT PART # SEE DWG 3415041 FOR DEFINITION	HP	K/RELAY /HEATER TYPE	DISCONNECT TYPE	VFD <input type="checkbox"/> VFD <input type="checkbox"/> BRK	IC B-41	PWS NO.	NOTES	NAME PLATES LAYOUT			
										LINE 1	LINE 2	LINE 3	LINE 4
1	B	SFH0012	FDR	FUSE	K-SWITCH	60A MJ	100			M-1201	O2 COMPRESSOR	MOTOR	
1	E	SFH0018	FDR	FUSE	K-SWITCH	100A MJ	100			M-1101	CO2 COMPRESSOR	MOTOR	
1	H	SFH0018	FDR	FUSE	K-SWITCH	100A MJ	100			M-1301	N2 COMPRESSOR	MOTOR	
2	C	SFH0018	FDR	FUSE	K-SWITCH	100A MJ	100			M-1401	NG COMPRESSOR	MOTOR	
2	N	INCOMING LUGS								MAIN	LUG SECTION		

Main Lugs ( #4-350  
MCM, 2/ph, in 2X  
space factor

EATON INDUSTRIES (CANADA)		DRAWING CHANGES		NO.	DATE	REVISION	REMARKS
LV MOTOR CONTROL CENTRES				01	02/22/16	ALL	ISSUED FOR CONSTRUCTION
NO.	DESCRIPTION	DATE	BY	CHKD	APPD	REVISION	REMARKS
1	MCC MASTER DRAWING INDEX	01					
2	MCC STRUCTURE LAYOUT / SPEC.	01					
3	MCC UNIT SPEC. / NAME PLATES	01					

NO.	REVISION DESCRIPTION	DATE (Y/M/D)	DRAWN	CKD	APPD
1	ISSUE FOR TENDER	2017/03/24	RCM		
0	ISSUE FOR CLIENT REVIEW	2015/10/02	RCM		

excellence by design  
www.miron.com

Natural Resources Canada  
Ressources naturelles Canada  
Centre de la technologie de l'énergie de CANMET

DESIGNED  
R. McNAIR

DRAWN  
R. McNAIR

CHECKED

APPROVED

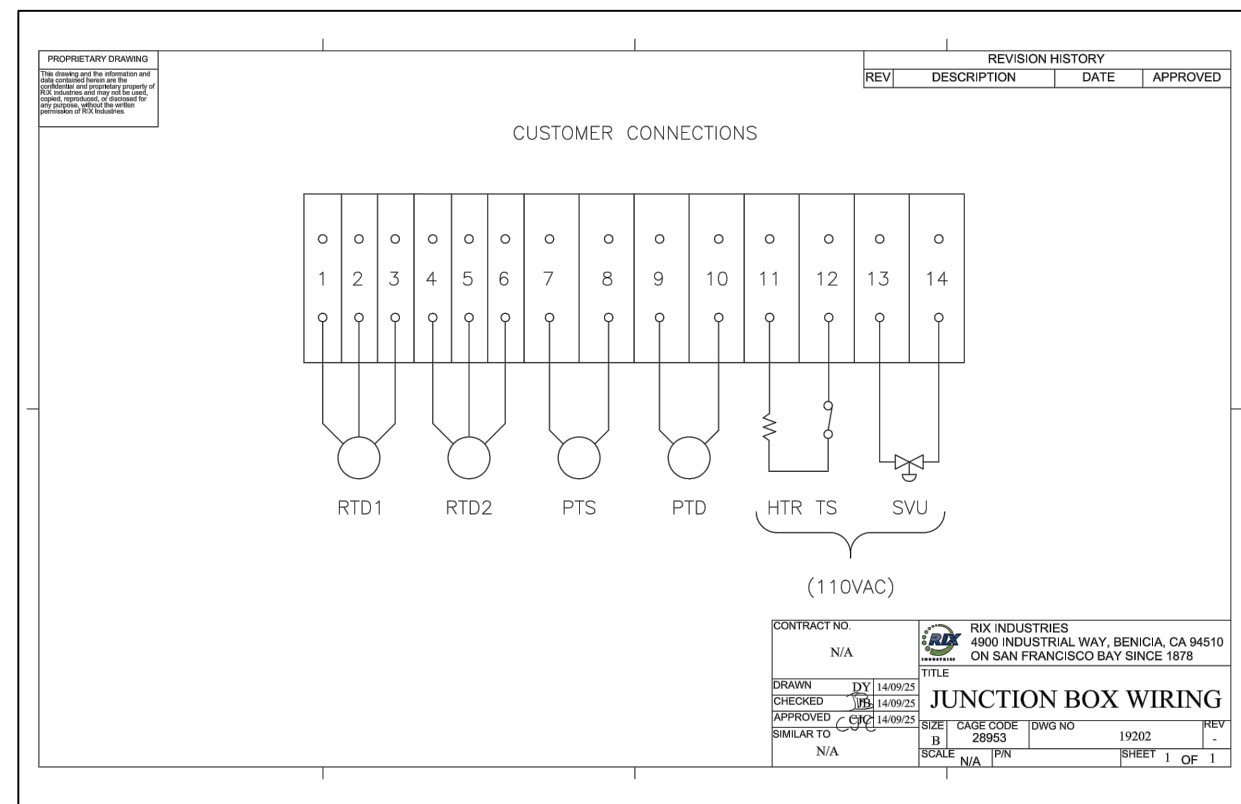
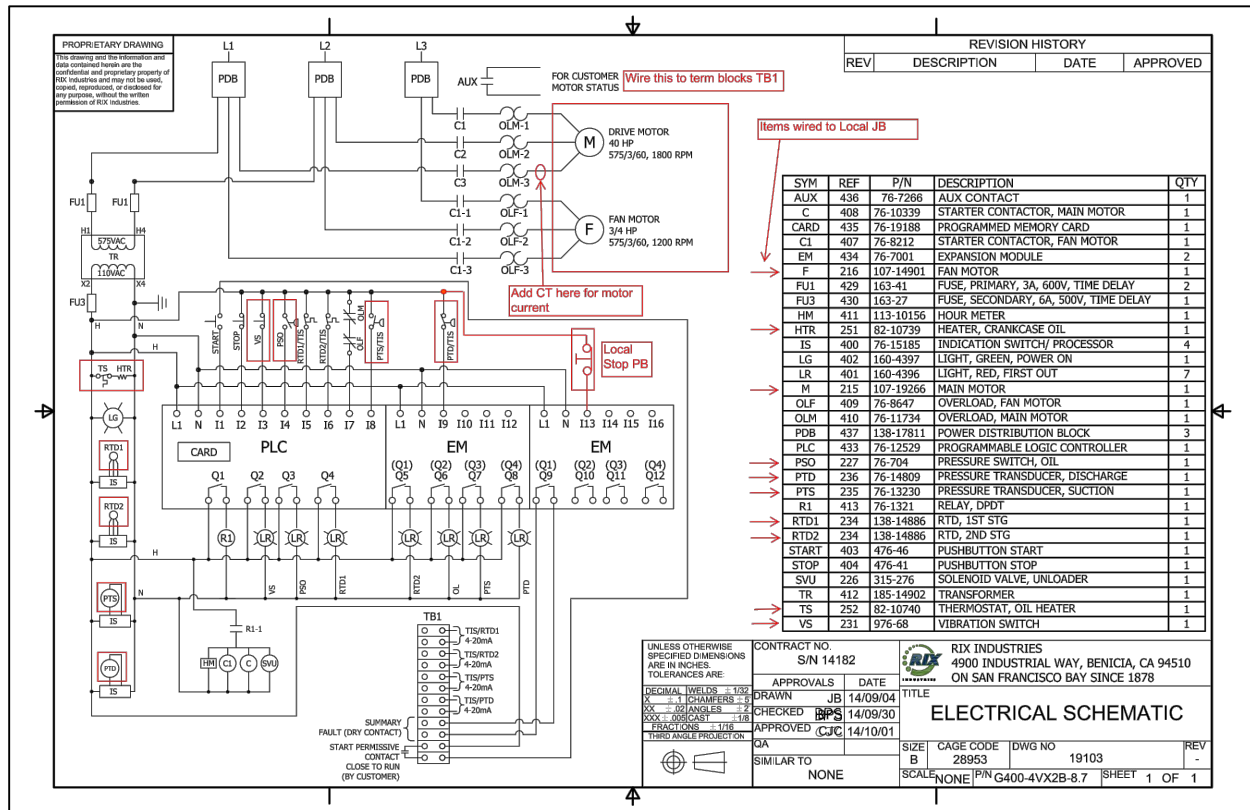
DATE  
2016/11/11

SCALE  
NONE

PROJECT  
NRCAN CANMET DCSG/HIPROX



TITLE  
ELECTRICAL  
DCSG-HIPROX  
MCC # 2 CABINET LAYOUT

USER	PROJECT	BUILDING	DRAWING	REV.
E	DCSG	BCC4	850	1

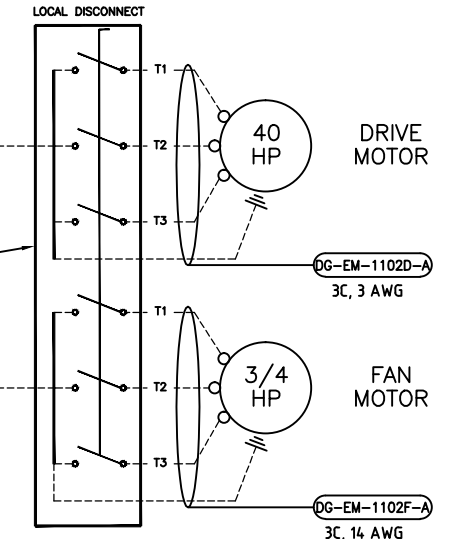
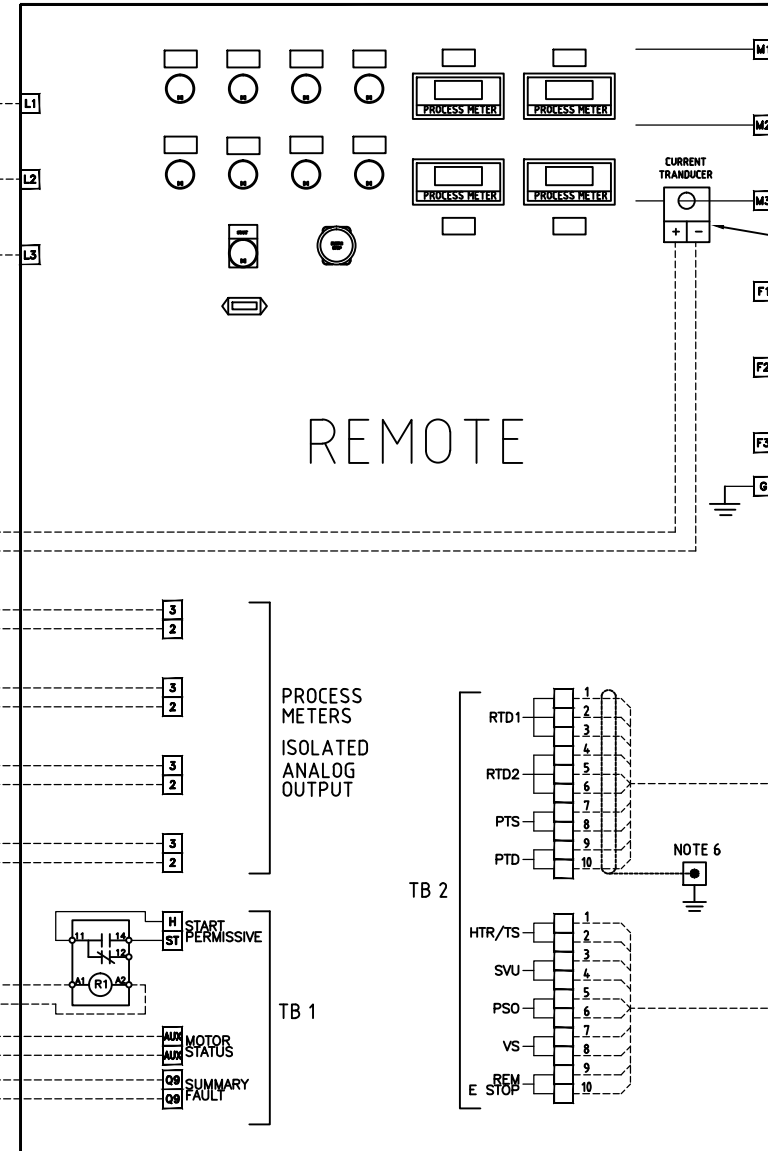
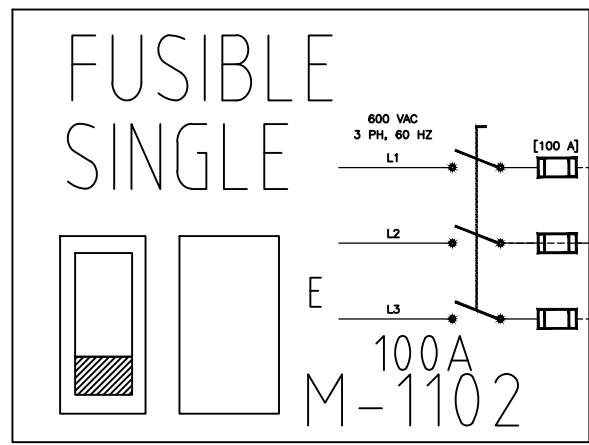


NO	DESCRIPTION	DATE	BY	CHKD	APPD
500	VSD CABINET ASSEMBLY				
205	DIGITAL OUTPUT WIRING NODE 4 MODULE 5				
203	DIGITAL INPUT WIRING NODE 4 MODULE 3	2017/03/24	RCM		
115	ANALOG OUTPUT WIRING NODE 2 MODULE 11	2016/12/14	RCM		
114	ANALOG INPUT WIRING NODE 2 MODULE 9				

NO	DESCRIPTION	DATE	BY	CHKD	APPD

 excellence by design www.miniton.com	DESIGNED	R. McNAIR	PROJECT NRCAN CANMET DCSG/HIPROX  TITLE ELECTRICAL DCSG-HIPROX MCC # 2 CABINET CO2,N2,O2 COMP ELECTRICAL SCHEMATIC										
	DRAWN	R. McNAIR											
	CHECKED												
	APPROVED												
 Natural Resources Canada CANMET Energy Technology Center	DATE	2016/11/11	<table border="1"> <tr> <td>USER</td> <td>PROJECT</td> <td>BUILDING</td> <td>DRAWING</td> <td>REV.</td> </tr> <tr> <td>E</td> <td>DCSG</td> <td>BCC4</td> <td>851</td> <td>1</td> </tr> </table>	USER	PROJECT	BUILDING	DRAWING	REV.	E	DCSG	BCC4	851	1
	USER	PROJECT		BUILDING	DRAWING	REV.							
	E	DCSG		BCC4	851	1							
SCALE	NONE												

# CO2 COMPRESSOR CABINET

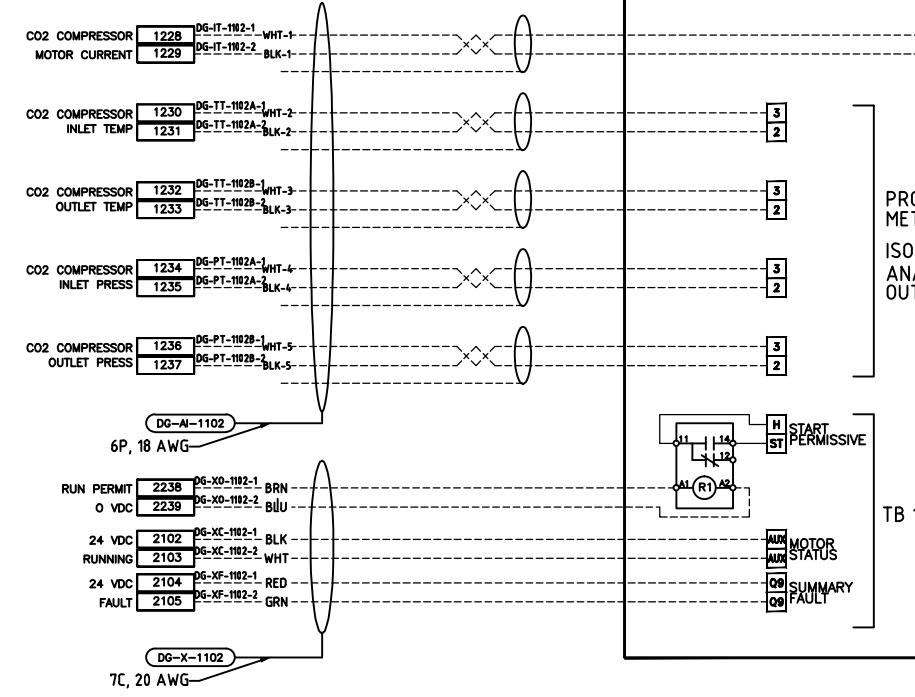


**FROM AJB CABINET**

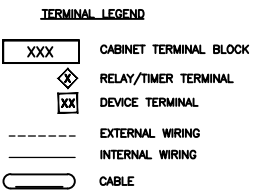
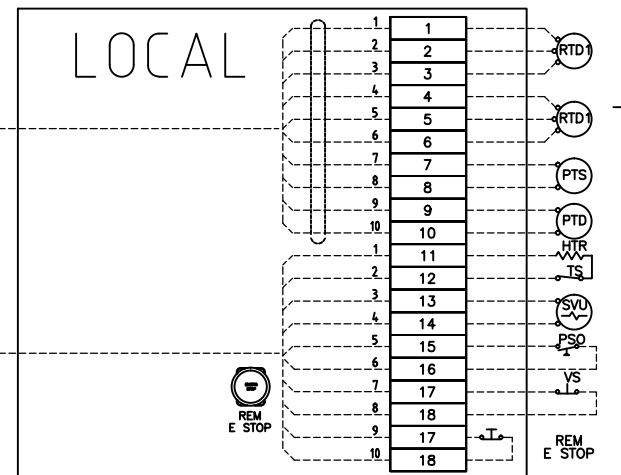
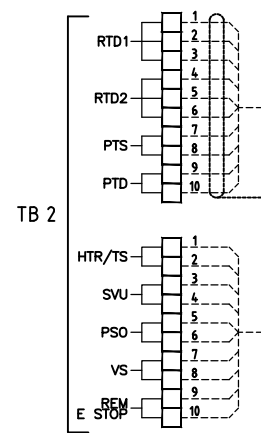
- E-DCSG-BCC4-106 CO2 COMPRESSOR MOTOR CURRENT
- E-DCSG-BCC4-106 CO2 COMPRESSOR INLET TEMP
- E-DCSG-BCC4-106 CO2 COMPRESSOR OUTLET TEMP
- E-DCSG-BCC4-106 CO2 COMPRESSOR INLET PRESS
- E-DCSG-BCC4-106 CO2 COMPRESSOR OUTLET PRESS

**FROM DJB CABINET**

- E-DCSG-BCC4-205 RUN PERMIT 0 VDC
- E-DCSG-BCC4-201 24 VDC RUNNING
- E-DCSG-BCC4-201 24 VDC FAULT



PROCESS METERS  
ISOLATED ANALOG OUTPUT



- NOTES:**
- CURRENT TRANSFORMER SUPPLIED BY NRCAN.
  - CABLES AND 6-POLE DISCONNECT SUPPLIED BY CONTRACTOR

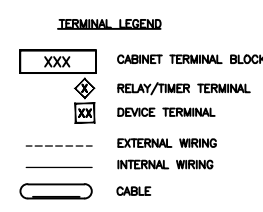
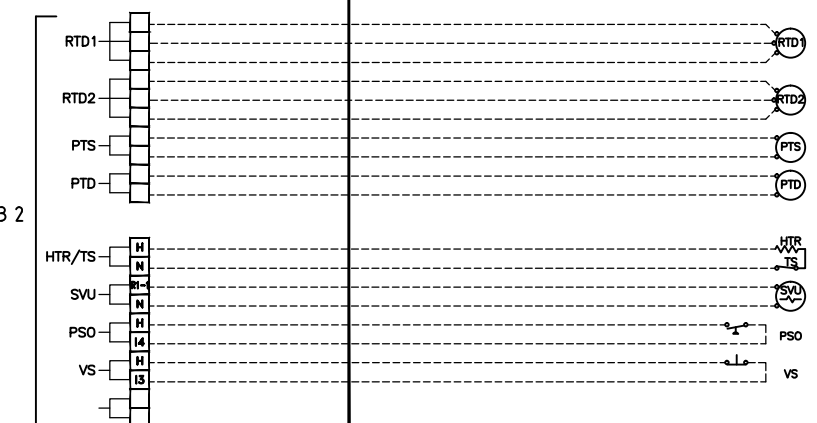
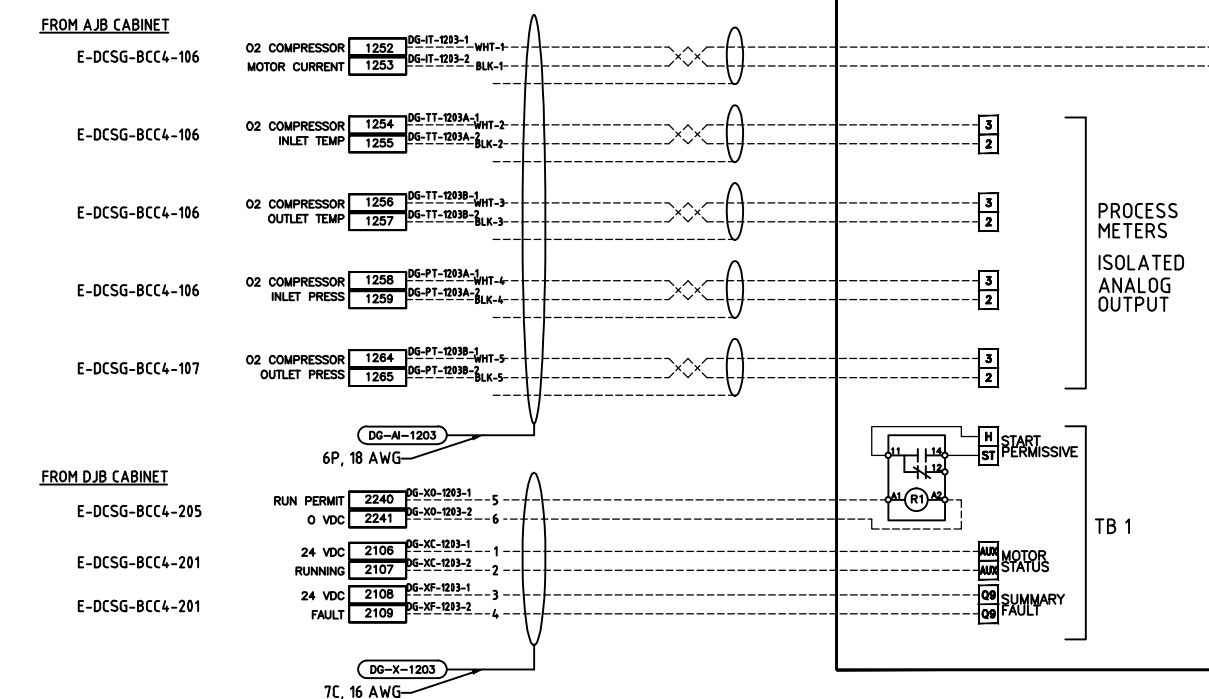
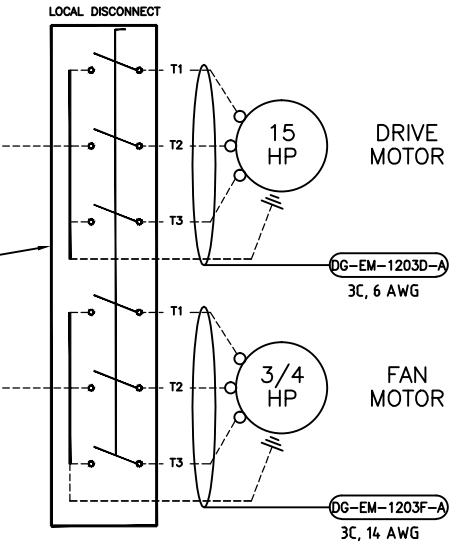
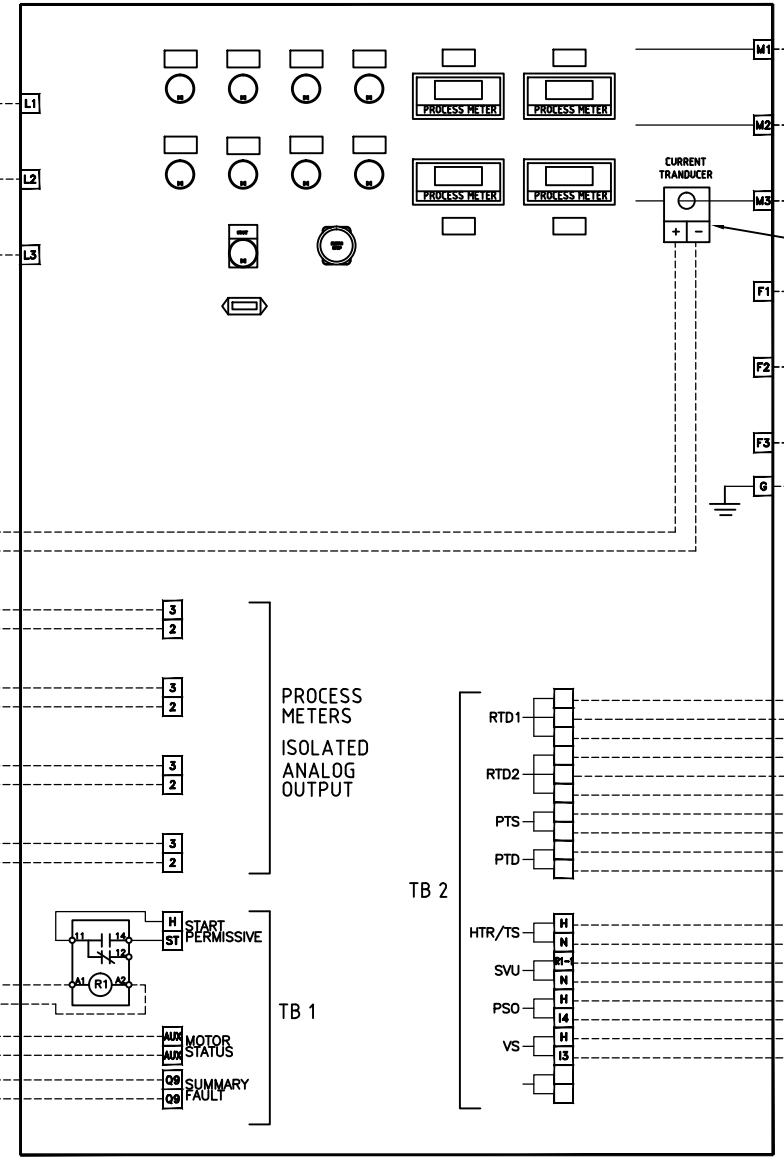
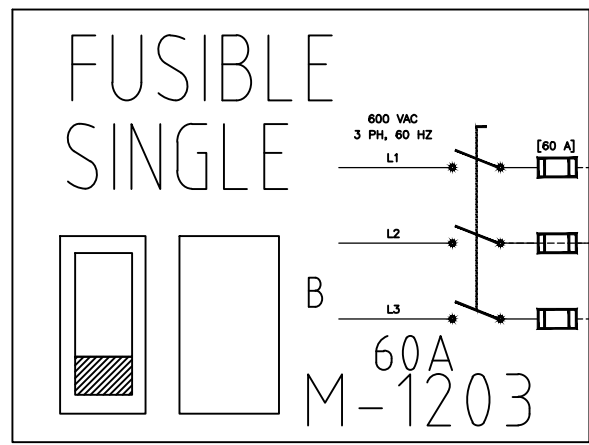
NO	REVISION DESCRIPTION	DATE (Y/M/D)	DRAWN	CKD	APPD
850	MCC # 2 CABINET LAYOUT				
205	DIGITAL OUTPUT WIRING NODE 4 MODULE 5	2017/03/24	RCM		
201	DIGITAL INPUT WIRING NODE 4 MODULE 1	2016/12/14	RCM		
106	ANALOG INPUT WIRING NODE 1 MODULES 6 & 7				

excellence by design  
www.miriton.com

Natural Resources Canada  
Ressources naturelles Canada  
CANMET Energy Technology Center  
Centre de la technologie de l'énergie de CANMET

DESIGNED R. McNAIR	PROJECT NRCAN CANMET DCSG/HIPROX
DRAWN R. McNAIR	TITLE ELECTRICAL DCSG-HIPROX MCC # 2 CABINET M-1102 CO2 COMPRESSOR
CHECKED	APPROVED
DATE 2016/11/11	SCALE NONE
USER E	PROJECT DCSG
BUILDING BCC4	DRAWING 852
REV. 1	

# 02 COMPRESSOR CABINET



- NOTES:**
- CURRENT TRANSFORMER SUPPLIED BY NRCAN.
  - CABLES AND 6-POLE DISCONNECT SUPPLIED BY CONTRACTOR

850	MCC # 2 CABINET LAYOUT						
205	DIGITAL OUTPUT WIRING NODE 4 MODULE 5						
201	DIGITAL INPUT WIRING NODE 4 MODULE 1	1	ISSUE FOR TENDER	2017/03/24	RCM		
107	ANALOG INPUT WIRING NODE 1 MODULES 8 & 9	0	ISSUE FOR CLIENT REVIEW	2016/12/14	RCM		
106	ANALOG INPUT WIRING NODE 1 MODULES 6 & 7	No					
REFERENCE DRAWINGS			REVISION REGISTER				
			REVISION DESCRIPTION	DATE (Y/M/D)	DRAWN	CKD	APPD

DESIGNED  
**R. McNAIR**

DRAWN  
**R. McNAIR**

CHECKED

APPROVED

DATE  
2016/11/11

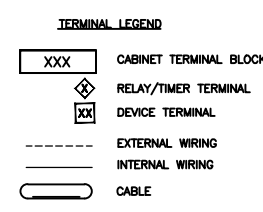
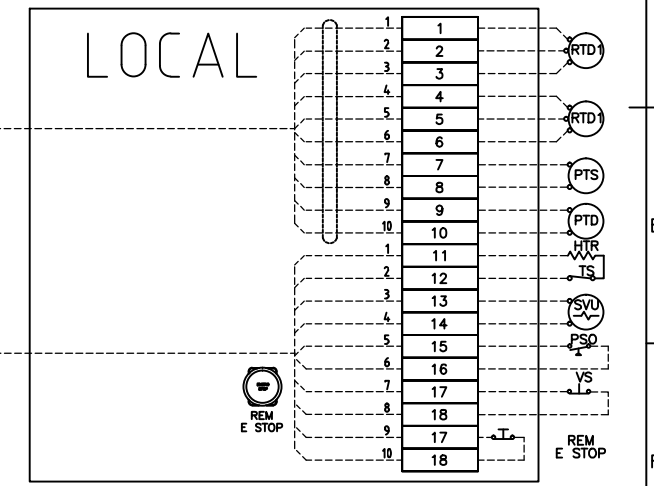
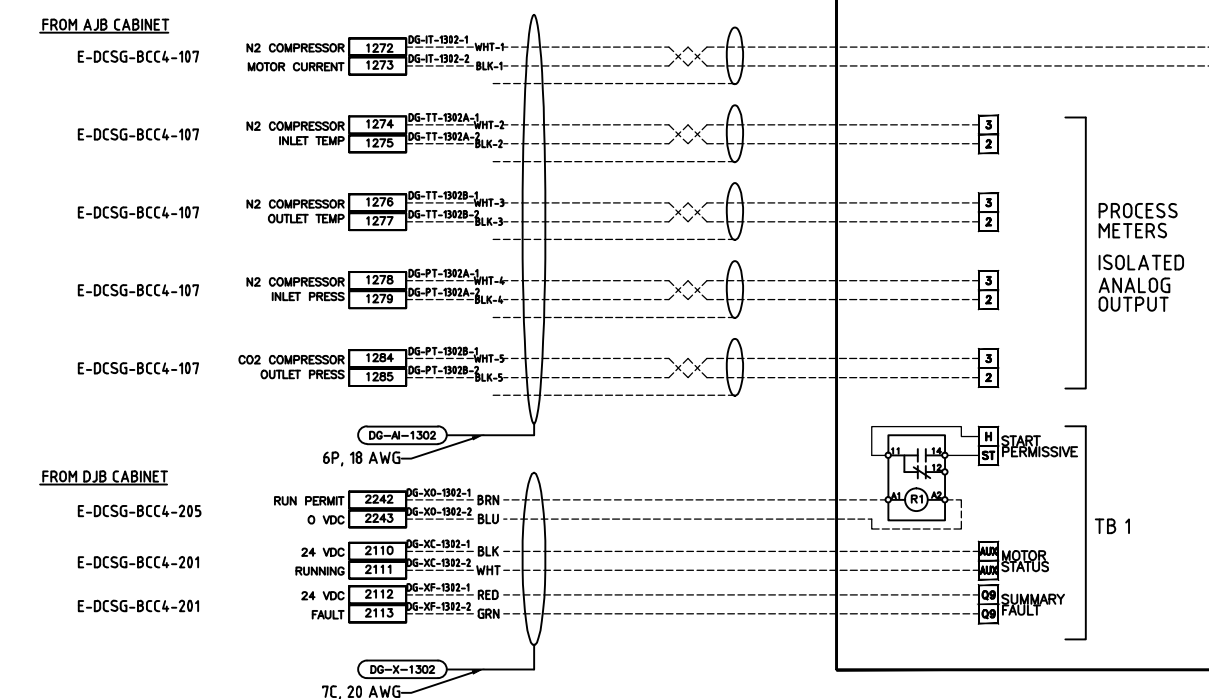
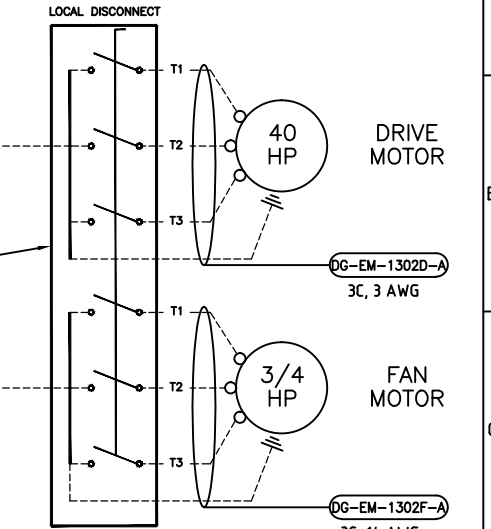
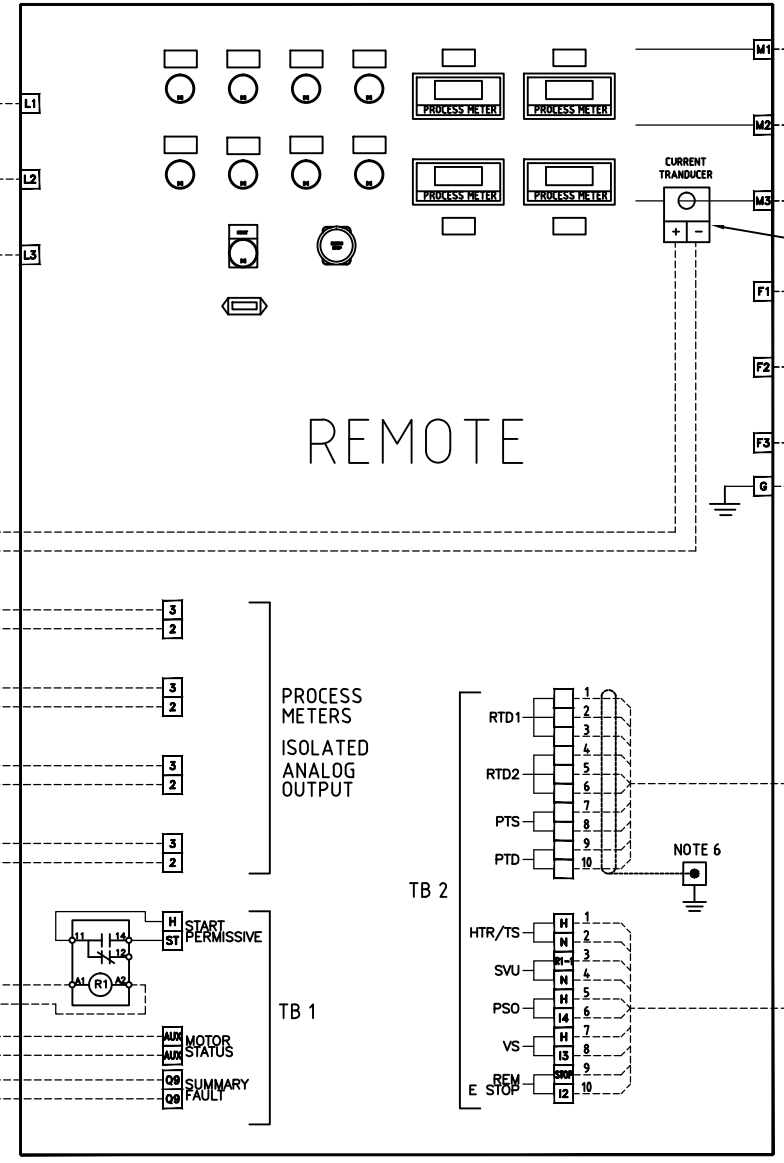
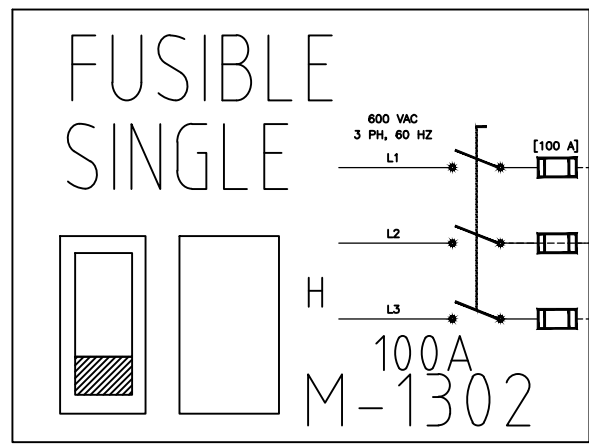
SCALE  
NONE

PROJECT  
NRCAN CANMET DCSG/HIPROX

TITLE  
ELECTRICAL  
DCSG-HIPROX  
MCC # 2 CABINET  
M-1203 02 COMPRESSOR

USER	PROJECT	BUILDING	DRAWING	REV.
E	DCSG	BCC4	853	1

# N2 COMPRESSOR CABINET



- NOTES:**
- CURRENT TRANSFORMER SUPPLIED BY NRCAN.
  - CABLES AND 6-POLE DISCONNECT SUPPLIED BY CONTRACTOR

NO	REVISION DESCRIPTION	DATE (Y/M/D)	DRAWN	CKD	APPD
850	MCC # 2 CABINET LAYOUT				
205	DIGITAL OUTPUT WIRING NODE 4 MODULE 5	2017/03/24	RCM		
201	DIGITAL INPUT WIRING NODE 4 MODULE 1	2016/12/14	RCM		
107	ANALOG INPUT WIRING NODE 1 MODULES 8 & 9				

excellence by design  
www.miriton.com

DESIGNED  
**R. McNAIR**

DRAWN  
**R. McNAIR**

CHECKED

APPROVED

DATE  
2016/11/11

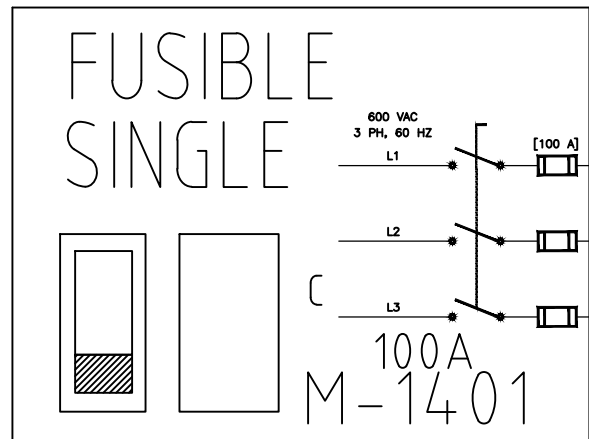
SCALE  
NONE

PROJECT  
NRCAN CANMET DCSG/HIPROX

TITLE  
ELECTRICAL  
DCSG-HIPROX  
MCC # 2 CABINET  
M-1302 N2 COMPRESSOR

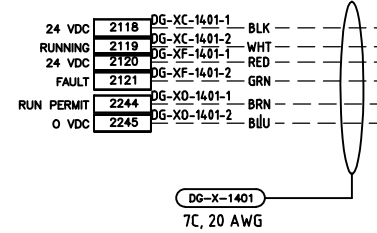
USER	PROJECT	BUILDING	DRAWING	REV.
E	DCSG	BCC4	854	1

# NG COMPRESSOR CABINET

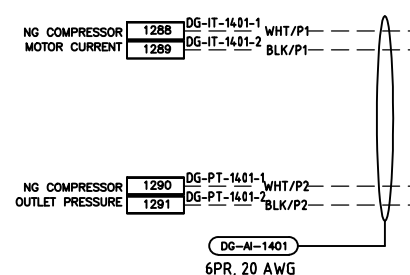


100A  
M-1401

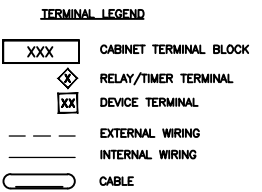
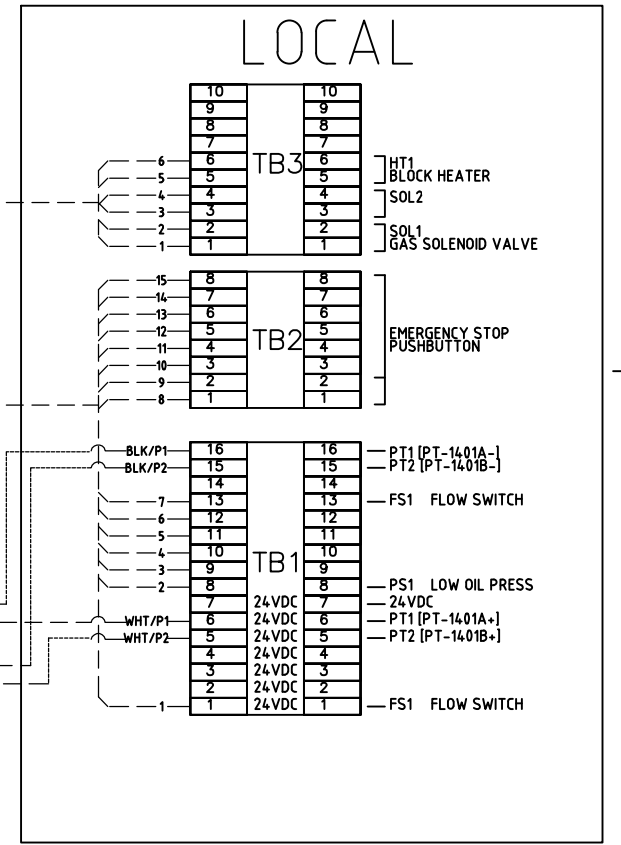
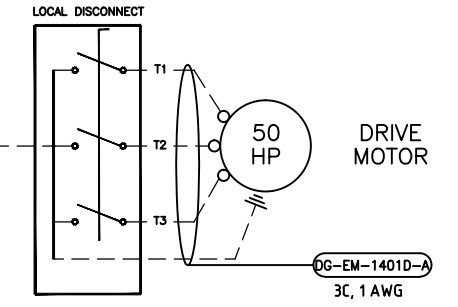
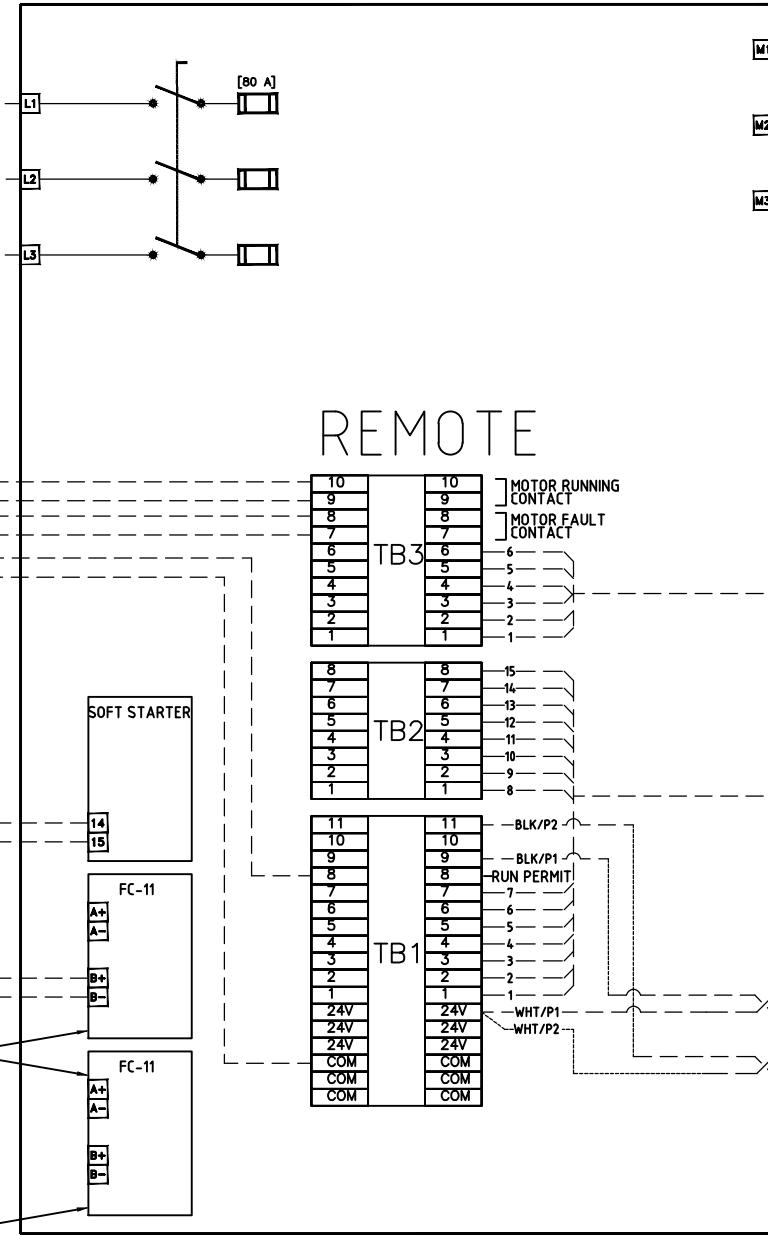
**FROM DJB CABINET**  
 E-DCSG-BCC4-201  
 E-DCSG-BCC4-201  
 E-DCSG-BCC4-205



**FROM AJB CABINET**  
 E-DCSG-BCC4-107  
 E-DCSG-BCC4-107



NOTE 1  
 NOTE 2



**NOTES:**  
 1. SIGNAL CONDITIONERS SUPPLIED BY NRCAN.  
 2. INSTALLED FOR FUTURE USE OF PRESSURE TRANSDUCER

850	MCC # 2 CABINET LAYOUT						
205	DIGITAL OUTPUT WIRING NODE 4 MODULE 5	1	ISSUE FOR TENDER	2017/03/24	RCM		
201	DIGITAL INPUT WIRING NODE 4 MODULE 1	0	ISSUE FOR CLIENT REVIEW	2017/02/24	RCM		
107	ANALOG INPUT WIRING NODE 1 MODULES 8 & 9	No	REVISION DESCRIPTION	DATE (Y/M/D)	DRAWN	CKD	APPD
REFERENCE DRAWINGS			REVISION REGISTER				

excellence by design  
www.miniton.com

Natural Resources Canada  
Ressources naturelles Canada  
CANMET Energy Technology Center  
Centre de la technologie de l'énergie de CANMET

DESIGNED  
**R. McNAIR**

DRAWN  
**R. McNAIR**

CHECKED

APPROVED

DATE  
**2017/02/24**

SCALE  
NONE

PROJECT  
**NRCAN CANMET DCSG/HIPROX**

TITLE  
**ELECTRICAL  
DCSG-HIPROX  
MCC # 2 CABINET  
M-1401 NG COMPRESSOR**

USER	PROJECT	BUILDING	DRAWING	REV.
E	DCSG	BCC4	855	1