

NO	REVISION DESCRIPTION	DATE (Y/M/D)	DRAWN	CKD	APPD
1	ISSUE FOR TENDER	2017/03/24	RCM		
0	ISSUE FOR CLIENT REVIEW	2017/01/27	RCM		
No					

NO	REVISION DESCRIPTION	DATE (Y/M/D)	DRAWN	CKD	APPD
1	ISSUE FOR TENDER	2017/03/24	RCM		
0	ISSUE FOR CLIENT REVIEW	2017/01/27	RCM		
No					

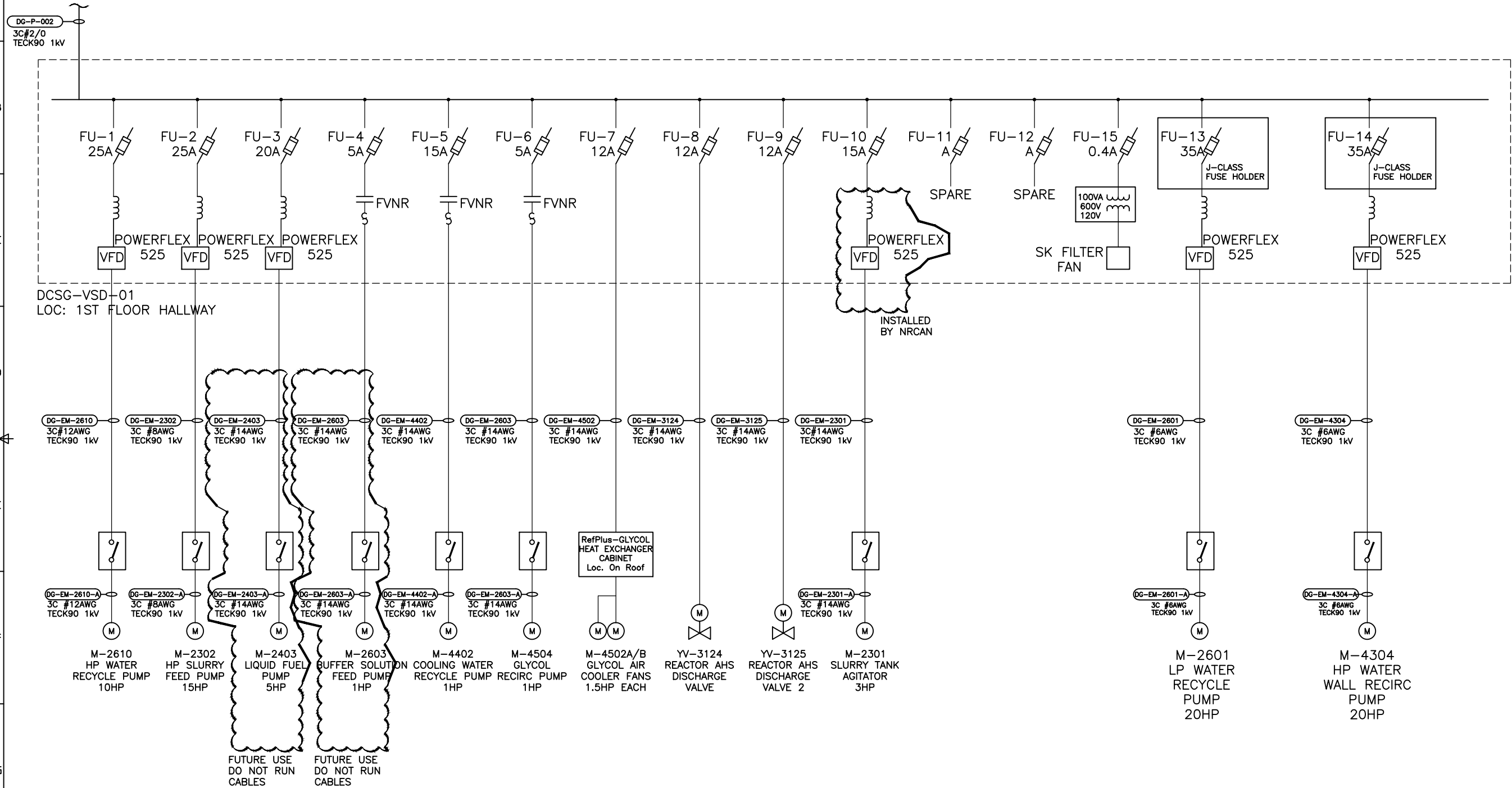
miriton
excellence by design
www.miriton.com

CLIENT
Canada
Natural Resources Canada
Ressources naturelles Canada
CANMET Energy Technology Center
Centre de la technologie de l'énergie de CANMET

DESIGNED R. McNAIR
DRAWN R. McNAIR
CHECKED
APPROVED
DATE 2016/11/11
SCALE NONE

PROJECT NRCAN CANMET DCSG/HIPROX				
TITLE ELECTRICAL DCSG-HIPROX POWER DISTRIBUTION SINGLE LINE DIAGRAM				
USER E	PROJECT DCSG	BUILDING BCC4	DRAWING 005	REV. 1

FROM 100A DISCONNECT ON
 PANEL PP-4E CCT # 19
 SEE DWG E-DCSG-BCC4-005



NO	REVISION DESCRIPTION	DATE (Y/M/D)	DRAWN	CKD	APPD
1	ISSUE FOR TENDER	2017/03/24	RCM		
0	ISSUE FOR CLIENT REVIEW	2017/02/27	RCM		

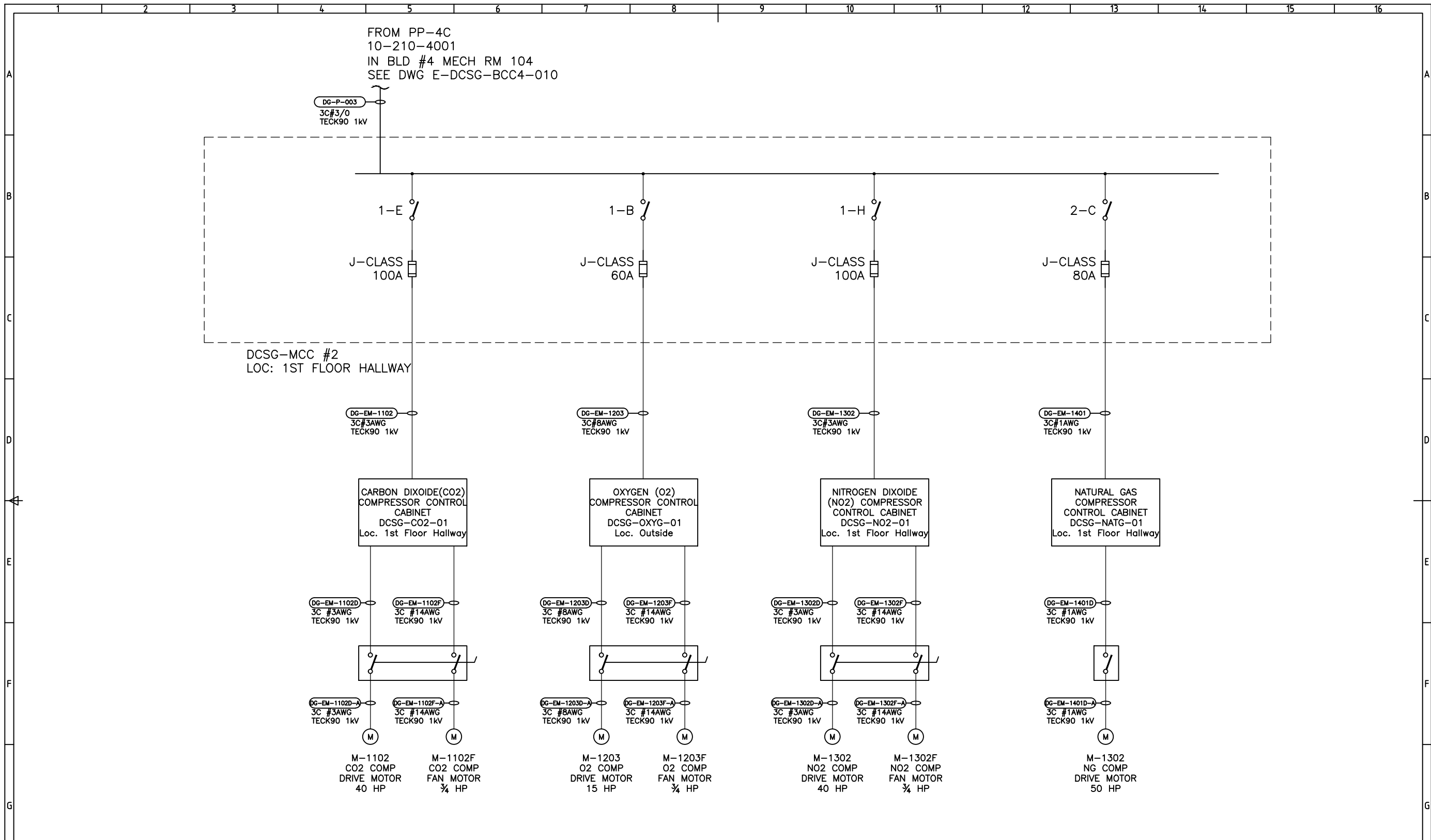
005 POWER DIST SINGLE LINE DIAGRAM No REVISION REGISTER

miriton
 excellence by design
 www.miriton.com

CLIENT
Canada
 Natural Resources Canada
 Ressources naturelles Canada
 CANMET Energy Technology Center
 Centre de la technologie de l'énergie de CANMET

DESIGNED R. McNAIR
DRAWN R. McNAIR
CHECKED
APPROVED
DATE 2017/02/27
SCALE NONE

PROJECT NRCAN CANMET DCSG/HIPROX				
TITLE ELECTRICAL DCSG-HIPROX VSD CABINET SINGLE LINE POWER DISTRIBUTION				
USER E	PROJECT DCSG	BUILDING BCC4	DRAWING 006	REV. 1



NO	REVISION DESCRIPTION	DATE (Y/M/D)	DRAWN	CKD	APPD
1	ISSUE FOR TENDER	2017/03/24	RCM		
0	ISSUE FOR CLIENT REVIEW	2017/02/27	RCM		

NO	REVISION DESCRIPTION	DATE (Y/M/D)	DRAWN	CKD	APPD
005	POWER DIST SINGLE LINE DIAGRAM				

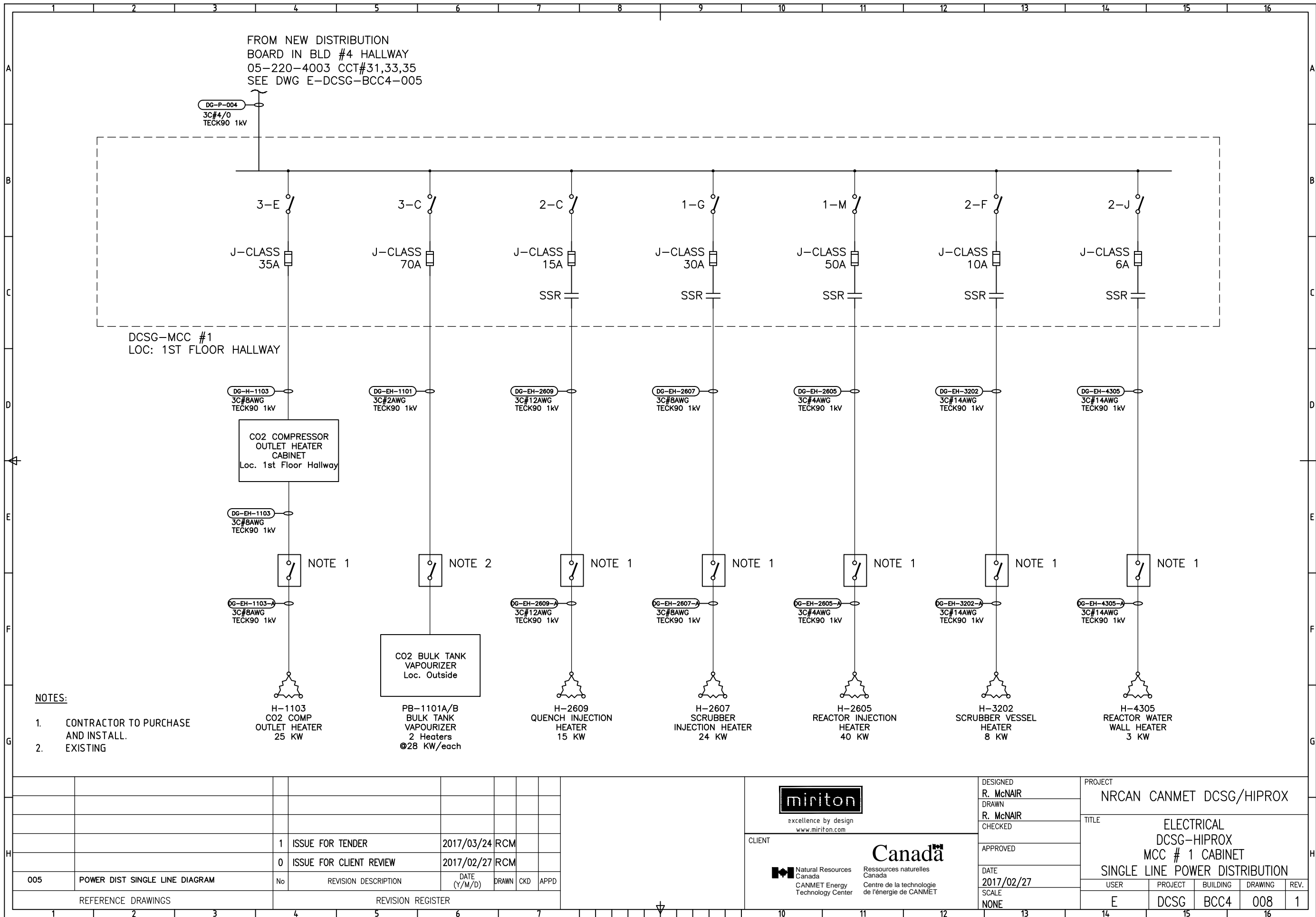
NO	REVISION DESCRIPTION	DATE (Y/M/D)	DRAWN	CKD	APPD
1	ISSUE FOR TENDER	2017/03/24	RCM		
0	ISSUE FOR CLIENT REVIEW	2017/02/27	RCM		

miriton
excellence by design
www.miriton.com

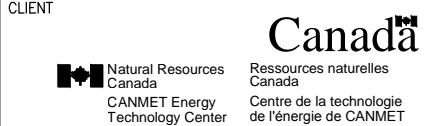
CLIENT
Canada
Natural Resources Canada
CANMET Energy Technology Center
Ressources naturelles Canada
Centre de la technologie de l'énergie de CANMET

DESIGNED R. McNAIR
DRAWN R. McNAIR
CHECKED
APPROVED
DATE 2017/02/27
SCALE NONE

PROJECT NRCAN CANMET DCSG/HIPROX				
TITLE ELECTRICAL DCSG-HIPROX MCC # 2 CABINET SINGLE LINE POWER DISTRIBUTION				
USER E	PROJECT DCSG	BUILDING BCC4	DRAWING 007	REV. 1



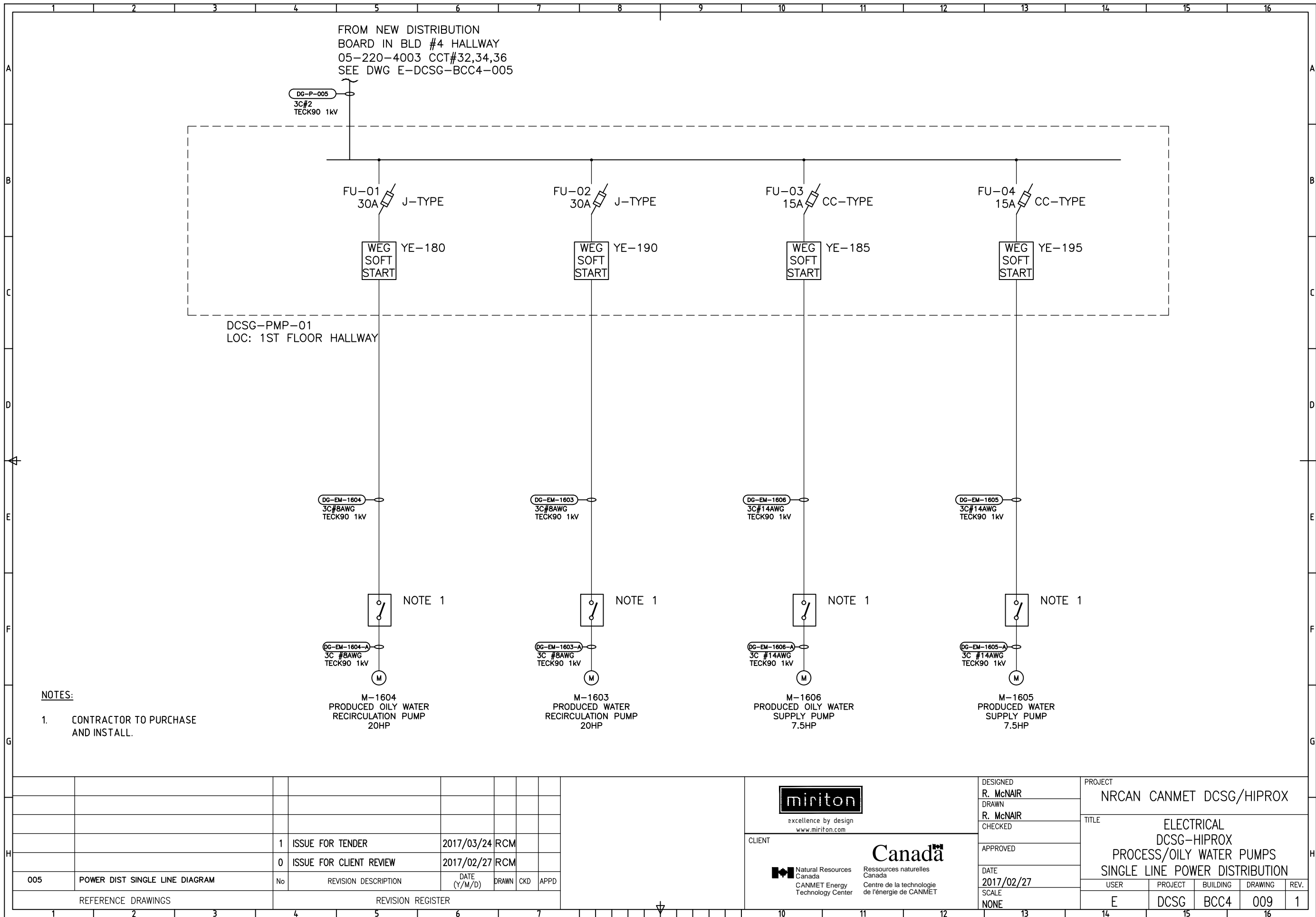
excellence by design
www.miron.com



Natural Resources Canada
Ressources naturelles Canada
CANMET Energy Technology Center
Centre de la technologie de l'énergie de CANMET

DESIGNED
R. McNAIR
DRAWN
R. McNAIR
CHECKED
APPROVED
DATE
2017/02/27
SCALE
NONE

PROJECT
NRCAN CANMET DCSG/HIPROX
TITLE
ELECTRICAL
DCSG-HIPROX
MCC # 1 CABINET
SINGLE LINE POWER DISTRIBUTION



NOTES:

- 1. CONTRACTOR TO PURCHASE AND INSTALL.

M-1604
PRODUCED OILY WATER
RECIRCULATION PUMP
20HP

M-1603
PRODUCED WATER
RECIRCULATION PUMP
20HP

M-1606
PRODUCED OILY WATER
SUPPLY PUMP
7.5HP

M-1605
PRODUCED WATER
SUPPLY PUMP
7.5HP

NO	REVISION DESCRIPTION	DATE (Y/M/D)	DRAWN	CKD	APPD
1	ISSUE FOR TENDER	2017/03/24	RCM		
0	ISSUE FOR CLIENT REVIEW	2017/02/27	RCM		

NO	REVISION DESCRIPTION	DATE (Y/M/D)	DRAWN	CKD	APPD
1	ISSUE FOR TENDER	2017/03/24	RCM		
0	ISSUE FOR CLIENT REVIEW	2017/02/27	RCM		

miriton
excellence by design
www.miriton.com

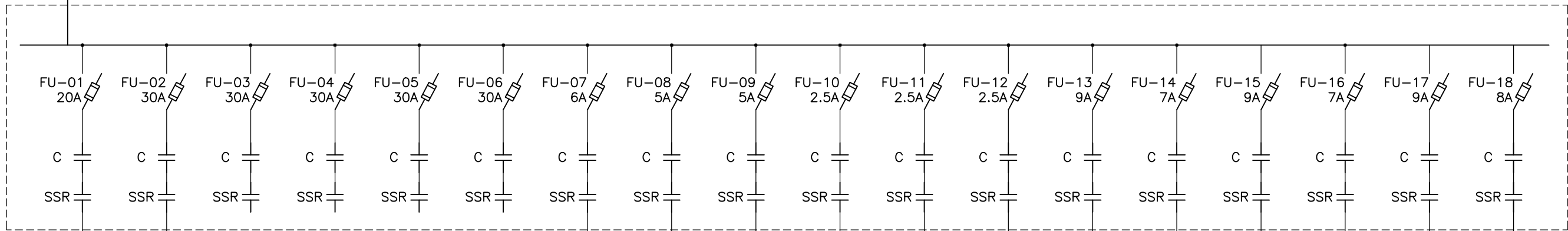
CLIENT
Canada
Natural Resources Canada
CANMET Energy Technology Center
Ressources naturelles Canada
Centre de la technologie de l'énergie de CANMET

DESIGNED R. McNAIR
DRAWN R. McNAIR
CHECKED
APPROVED
DATE 2017/02/27
SCALE NONE

PROJECT NRCAN CANMET DCSG/HIPROX				
TITLE ELECTRICAL DCSG-HIPROX PROCESS/OILY WATER PUMPS SINGLE LINE POWER DISTRIBUTION				
USER E	PROJECT DCSG	BUILDING BCC4	DRAWING 009	REV. 1

208/120V FEED
 FROM 100A DISCONNECT ON
 PANEL PP-4W
 10-212-4008 CCT # 1,3,5
 SEE DWG E-DCSG-BCC4-005

DG-P-001
 4C#2
 TECK90 1kV



DCSG-HTC-01
 LOC: 1ST FLOOR HALLWAY

DG-EH-1104
 3C#14AWG
 TECK90 600V

DG-EH-1105
 2C#10AWG
 TECK90 600V

NOTE 1

DG-EH-1104
 3C#14AWG
 TECK90 1kV

DG-EH-1105
 3C#10AWG
 TECK90 1kV

H-1104
 BLANKET HEATER
 CO2
 COMPRESSOR
 OUTLET
 208V,3φ
 2.0 KW

HT-1105
 HEAT TRACING
 CO2
 COMPRESSOR
 OUTLET
 208V,1φ
 2.6 KW

DG-EH-2401
 2C#14AWG
 TECK90 600V

DG-EH-3216
 2C#14AWG
 TECK90 600V

DG-EH-3218
 2C#14AWG
 TECK90 600V

DG-EH-5107
 2C#14AWG
 TECK90 600V

DG-EH-5120
 2C#14AWG
 TECK90 600V

DG-EH-5132
 2C#14AWG
 TECK90 600V

DG-EH-5102
 2C#14AWG
 TECK90 600V

DG-EH-5109
 2C#14AWG
 TECK90 600V

DG-EH-5115
 2C#14AWG
 TECK90 600V

DG-EH-5122
 2C#14AWG
 TECK90 600V

DG-EH-5128
 2C#14AWG
 TECK90 600V

DG-EH-5134
 2C#14AWG
 TECK90 600V

H-2401
 OIL HEATER
 LIQUID FUEL
 SUPPLY TANK
 208V,1φ
 1.0 KW

HT-3216
 HEAT TRACING
 SCRUBBER GAS
 OUTLET
 208V,1φ
 728 W

HT-3218
 HEAT TRACING
 SCRUBBER GAS
 OUTLET
 208V,1φ
 728 W

HT-5107
 HEATED LINE
 REACTOR
 SAMPLE GAS
 208V,1φ
 400 W

HT-5120
 HEATED LINE
 SAMPLE GAS
 208V,1φ
 400 W

HT-5132
 HEAT TRACING
 SCRUBBER
 SAMPLE GAS
 208V,1φ
 400 W

H-5102
 HEAT TRACING
 REACTOR
 SAMPLE GAS
 120V,1φ
 800 W

HT-5109
 HEAT TRACING
 REACTOR
 SAMPLE GAS
 120V,1φ
 600 W

HT-5115
 HEAT TRACING
 QS
 SAMPLE
 GAS
 120V,1φ
 800 W

HT-5122
 HEAT TRACING
 QS
 SAMPLE
 GAS
 120V,1φ
 600 W

HT-5128
 HEAT TRACING
 SCRUBBER
 SAMPLE GAS
 120V,1φ
 800 W

HT-5134
 HEAT TRACING
 SCRUBBER
 SAMPLE GAS
 120V,1φ
 700 W

FUTURE USE
 DO NOT RUN
 CABLES

NO	REVISION DESCRIPTION	DATE (Y/M/D)	DRAWN	CKD	APPD
1	ISSUE FOR TENDER	2017/03/24	RCM		
0	ISSUE FOR CLIENT REVIEW	2017/02/27	RCM		

NO	REVISION DESCRIPTION	DATE (Y/M/D)	DRAWN	CKD	APPD
005	POWER DIST SINGLE LINE DIAGRAM				

excellence by design
www.miron.com

Natural Resources Canada
Ressources naturelles Canada
CANMET Energy Technology Center
Centre de la technologie de l'énergie de CANMET

DESIGNED
R. McNAIR

DRAWN
R. McNAIR

CHECKED

APPROVED

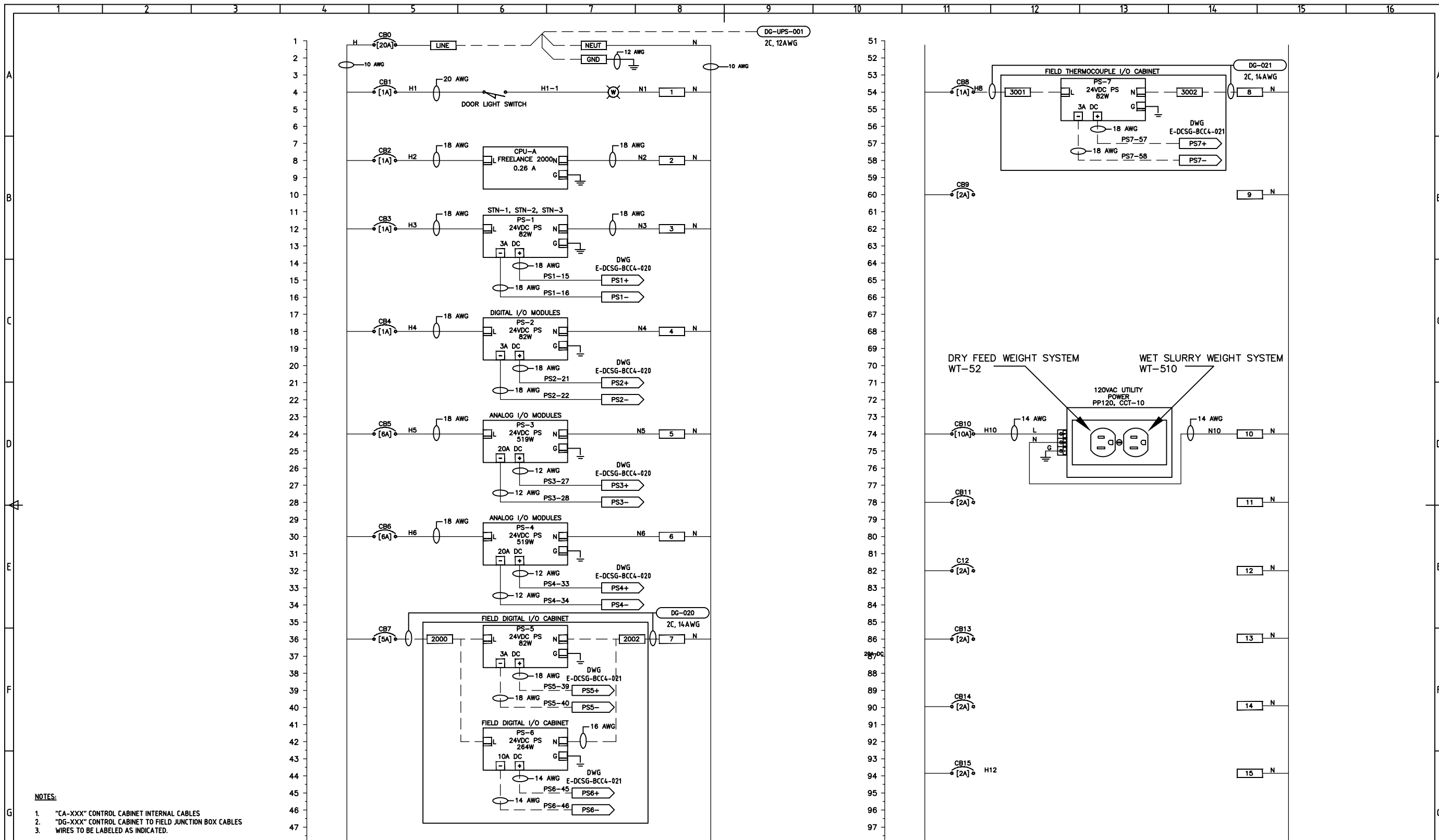
DATE
2017/02/27

SCALE
NONE

PROJECT
NRCAN CANMET DCSG/HIPROX

TITLE
ELECTRICAL
DCSG-HIPROX
HEAT TRACING CABINET
SINGLE LINE POWER DISTRIBUTION

USER	PROJECT	BUILDING	DRAWING	REV.
E	DCSG	BCC4	010	1



- NOTES:**
- "CA-XXX" CONTROL CABINET INTERNAL CABLES
 - "DG-XXX" CONTROL CABINET TO FIELD JUNCTION BOX CABLES
 - WIRES TO BE LABELED AS INDICATED.

NO	DESCRIPTION	ISSUE FOR TENDER	DATE	RCM	CKD	APPD
300	THERMOCOUPLE IO CABINET ASSY					
200	DIGITAL IO CABINET ASSY					
100	CONTROL CABINET ASSY	1	2017/03/24	RCM		
021	DIGITAL & THERMOCOUPLE CABINET 24VDC POWER DISTRIBUTION	0	2017/02/02	RCM		
020	MAIN CABINET 24VDC POWER DISTRIBUTION	No				

REFERENCE DRAWINGS

NO	DESCRIPTION	ISSUE FOR TENDER	DATE	RCM	CKD	APPD
1	ISSUE FOR TENDER	1	2017/03/24	RCM		
0	ISSUE FOR CLIENT REVIEW	0	2017/02/02	RCM		

excellence by design
www.miron.com

Natural Resources Canada
Ressources naturelles Canada
CANMET Energy Technology Center
Centre de la technologie de l'énergie de CANMET

DESIGNED R. McNAIR	PROJECT NRCAN CANMET DCSG/HIPROX
DRAWN R. McNAIR	TITLE ELECTRICAL DCSG-HIPROX CONTROL SYSTEM
CHECKED	120 VAC POWER DISTRIBUTION
APPROVED	USER E
DATE 2016/11/11	PROJECT DCSG
SCALE NONE	BUILDING BCC4
	DRAWING 015
	REV. 1