



Drawing Index:

Drawing Number Title of Drawing

GENERAL DRAWINGS

G00 COVER SHEET / SITE LOCATION PLAN

CIVIL DRAWINGS

STORMWATER SYSTEM IMPROVEMENT SHEETS

C01 KEY PLAN
 C02 EXISTING SITE PLAN
 C03 STORMWATER MANAGEMENT PLAN
 C04 STORMWATER FACILITIES PLAN - SOUTH EAST
 C05 STORMWATER FACILITIES PLAN - NORTH EAST
 C06 STORMWATER PLAN AND PROFILES
 C07 UNDERGROUND DETENTION FACILITY DETAILS 1
 C08 UNDERGROUND DETENTION FACILITY DETAILS 2
 C09 CONCRETE BARRIER WALL SECTIONS 1
 C10 CONCRETE BARRIER WALL SECTIONS 2
 C11 STORMWATER DETENTION TYPICAL DETAILS
 C12 BARRIER WALL, WATER STANDPIPE, AND PAVEMENT DETAILS

SANITARY SYSTEM REPLACEMENT SHEETS

C13 SANITARY MAIN REPLACEMENT - WEST OF TRANS-CANADA HIGHWAY - STA: 0+000 - 0+120
 C14 SANITARY MAIN REPLACEMENT - WEST OF TRANS-CANADA HIGHWAY - STA: 0+120 - 0+240

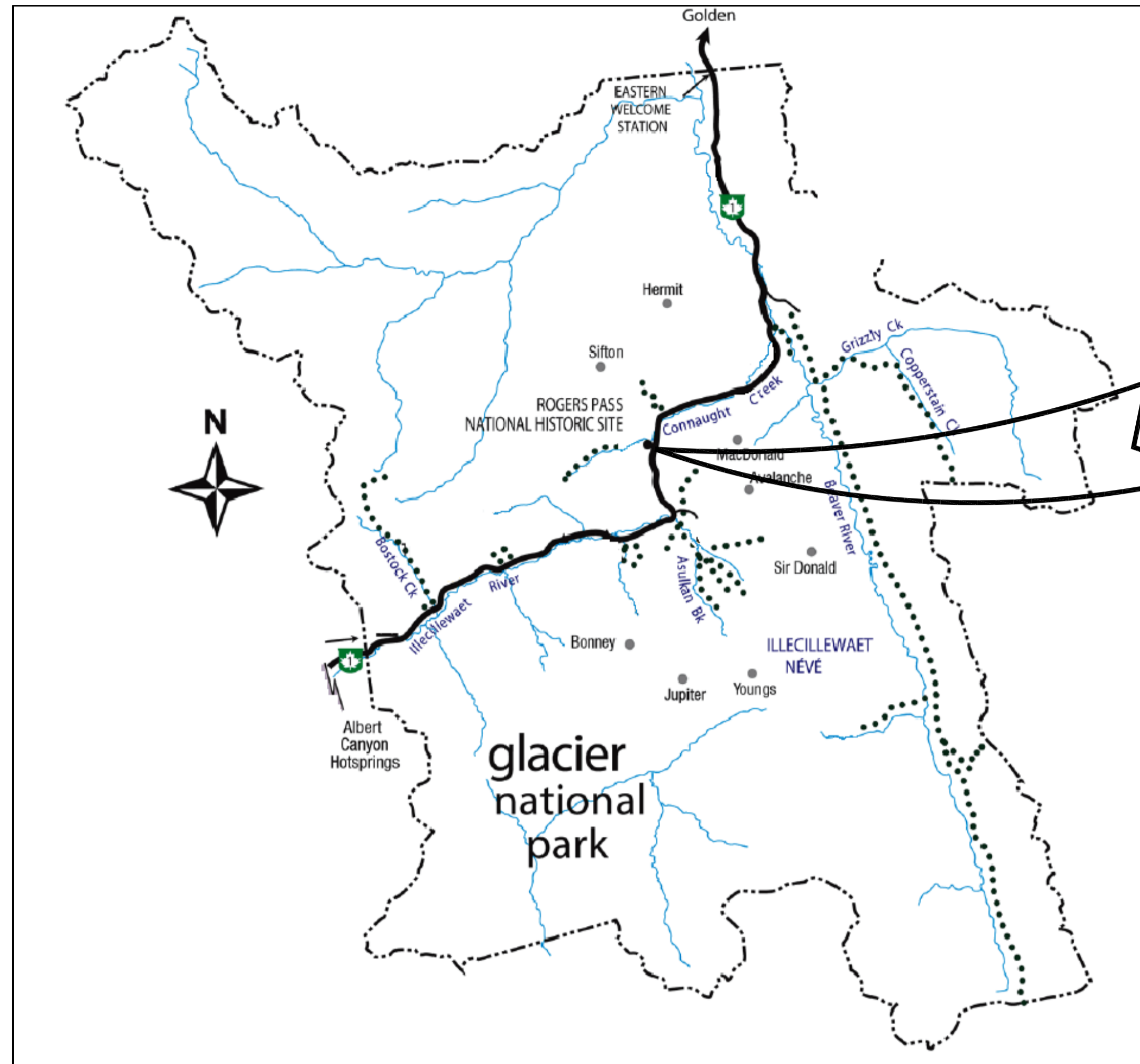
PAVING SHEETS

C15 PAVING PLAN - SOUTH EAST
 C16 PAVING PLAN - NORTH EAST

ADDITIONAL SHEETS

C17 KEY PLAN - ADDITIONAL STORMWATER AND PAVING WORKS ADDENDUM #1
 C18 STORM SEWER UPGRADES SOUTHWEST - PLAN
 C19 STORM SEWER UPGRADES NORTHWEST - PLAN
 C20 STORM SEWER UPGRADES PROFILES - WEST 1
 C21 STORM SEWER UPGRADES PROFILES - WEST 2
 C22 STORM SEWER UPGRADES PROFILES - WEST 3
 C23 STORM SEWER UPGRADES SECTIONS - WEST 1
 C24 STORM SEWER UPGRADES SECTIONS - WEST 2
 C25 STORMWATER DETENTION TYPICAL DETAILS AND ADDITIONAL PAVING AREAS

2017/05/11



SITE LOCATION PLAN

Client:
 Public Works and Government Services Canada
 641-800 Burrard Street
 Vancouver, BC. V6Z 2V8
 Tel. 604 775 6822

Project:
 Parks Canada - Rogers Pass
 Maintenance Compound Infrastructure Improvements - Phase 2
 Glacier National Park
 Rogers Pass, BC

Revision/	Description/Description	Date/Date
6	ISSUED FOR ADDENDUM #1	2017/05/11
5	ISSUED FOR TENDER	2017/03/23
4	100% COMPLETE - ISSUED FOR REVIEW	2017/03/14
3	90% COMPLETE - ISSUED FOR REVIEW	2017/02/17
2	66% COMPLETE - ISSUED FOR REVIEW	2016/12/14
1	33% COMPLETE - ISSUED FOR REVIEW	2016/08/19

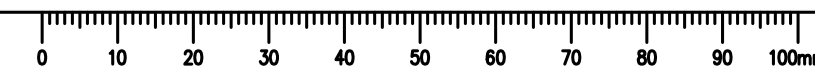
Client/Client
PUBLIC WORKS AND GOVERNMENT SERVICES CANADA

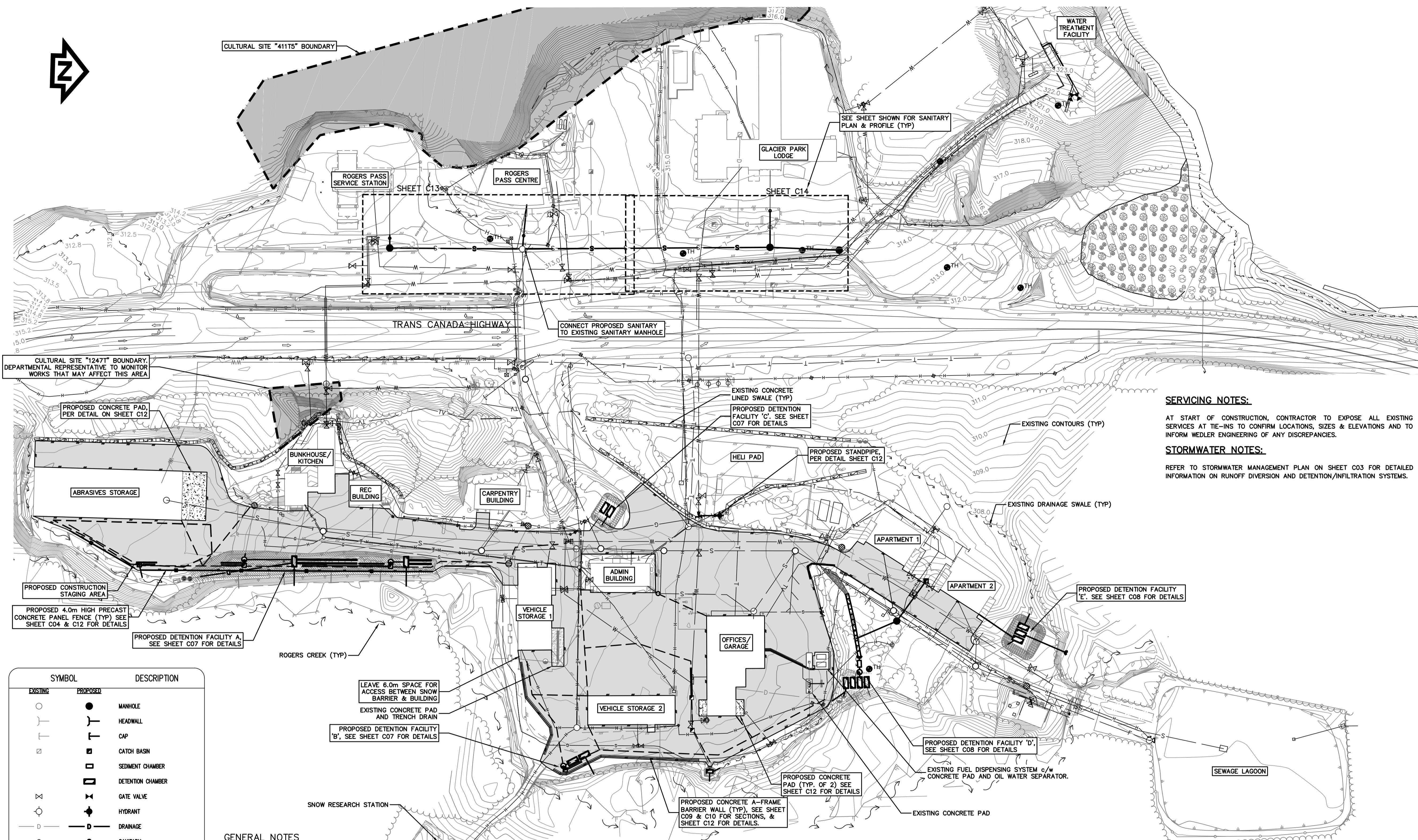
Project title/Titre du projet
PARKS CANADA- ROGERS PASS MAINTENANCE COMPOUND INFRASTRUCTURE IMPROVEMENTS PHASE 2

Consultant Signature Only
WEDLER ENGINEERING LLP
 Designed by/Concept par
SBR
 Drawn by/Dessiné par
DBB
 PWSC Project Manager/Administrateur de Projets TPSGC
TOM DUNPHY
 Regional Manager, Architectural and Engineering Services
 Gestionnaire régionale, Services d'architecture et de génie, TPSGC

Drawing title/Titre du dessin
COVER SHEET / SITE LOCATION PLAN

Project No./No. du projet	Sheet/Feuille	Revision no./La Révision no.
R.076550.001	G00	6





SERVICING NOTES:
AT START OF CONSTRUCTION, CONTRACTOR TO EXPOSE ALL EXISTING SERVICES AT TIE-INS TO CONFIRM LOCATIONS, SIZES & ELEVATIONS AND TO INFORM WEDLER ENGINEERING OF ANY DISCREPANCIES.

STORMWATER NOTES:
REFER TO STORMWATER MANAGEMENT PLAN ON SHEET C03 FOR DETAILED INFORMATION ON RUNOFF DIVERSION AND DETENTION/INFILTRATION SYSTEMS.

SYMBOL		DESCRIPTION
○	●	MANHOLE
⊥	⊥	HEADWALL
⊥	⊥	CAP
⊠	⊠	CATCH BASIN
□	□	SEDIMENT CHAMBER
□	□	DETENTION CHAMBER
⊗	⊗	GATE VALVE
○	●	HYDRANT
—D—	—D—	DRAINAGE
—S—	—S—	SANITARY
—W—	—W—	WATER
—G—	—G—	GAS
—L—	—L—	STREETLIGHTING
—H—	—H—	HYDRO
—T—	—T—	TELEPHONE
—TV—	—TV—	CABLE
—	—	EDGE OF PAVEMENT
—	—	FENCE LINE
—	—	TOP OF SLOPE
—	—	GRADE BREAK
—	—	GRASS/ROCK SWALE
—	—	CONCRETE LINED SWALE
—	—	MAJOR CATCHMENT BOUNDARY
—	—	SUB-CATCHMENT BOUNDARY
—	—	EXISTING SPOT ELEVATION
—	—	ASPHALTIC PAVEMENT

GENERAL NOTES

- ALL WORKS, MATERIALS AND TESTING SHALL BE IN ACCORDANCE WITH THE CONTRACT SPECIFICATIONS.
- INFORMATION ON THE DRAWINGS REGARDING EXISTING UTILITIES WAS COMPILED FROM RECORD DRAWINGS, CONSTRUCTION DRAWINGS AND FIELD SURVEYS. THIS INFORMATION IS NOT NECESSARILY ACCURATE OR COMPLETE. IT IS THE CONTRACTOR'S RESPONSIBILITY TO VERIFY ALL DATA BY EXPOSURE PRIOR TO ANY CONSTRUCTION AND TO IMMEDIATELY REPORT ANY DISCREPANCIES TO THE DEPARTMENTAL REPRESENTATIVE IF REMEDIAL ACTION IS REQUIRED. ANY CLAIMS RESULTING FROM THE CONTRACTOR'S FAILURE TO DO SO SHALL BE AT THE CONTRACTOR'S EXPENSE.
- PRIOR TO ANY WORKS, THE CONTRACTOR SHALL ASCERTAIN FOR HIMSELF OF THE EXACT LOCATION OF BOUNDARIES OF LEGAL PROPERTIES, RIGHT-OF-WAYS OR EASEMENTS. ANY COST RESULTING FROM SPECIAL CONSTRUCTION METHODS, EQUIPMENT OR MATERIALS REQUIRED TO PERFORM ANY WORKS FORMING PART OF THIS CONTRACT WITHOUT ENCRANCHING ON OR CAUSING DAMAGE TO OTHER PROPERTY, SHALL BE INCLUDED IN THE CONTRACT PRICE AND NO ADDITIONAL PAYMENT WILL BE MADE FOR SUCH WORKS.
- THE CONTRACTOR SHALL PHOTOGRAPH, PRIOR TO CONSTRUCTION, ANY EXISTING FEATURES TO BE DISTURBED. THE CONTRACTOR SHALL RESTORE ALL DISTURBED PAVEMENT, CURBS, SIDEWALKS, LANDSCAPING, FENCES OR ANY OTHER FEATURES AFFECTED BY THE CONSTRUCTION WORKS TO ORIGINAL CONDITIONS OR BETTER, AND TO THE SATISFACTION OF THE DEPARTMENTAL REPRESENTATIVE.
- THE CONTRACTOR MUST CONTACT DEPARTMENTAL REPRESENTATIVE PRIOR TO CONSTRUCTION TO SCHEDULE A PRE-CONSTRUCTION MEETING DURING WHICH CONSTRUCTION METHODS, TIMING AND INSPECTIONS WILL BE DISCUSSED.
- THE CONTRACTOR SHALL BE RESPONSIBLE FOR ALL CONSTRUCTION LAYOUT.
- CHANGES TO THE DESIGN MUST BE APPROVED IN WRITING BY THE DEPARTMENTAL REPRESENTATIVE. FAILURE TO NOTIFY THE DEPARTMENTAL REPRESENTATIVE IN ADVANCE OF CHANGES MAY RESULT IN REJECTION OF WORK.
- ALL MATERIALS TO BE SUPPLIED BY THE CONTRACTOR. SUBSTITUTION OF ANY MATERIAL SPECIFIED WITH A MATERIAL EQUAL OR BETTER IN QUALITY OR PERFORMANCE WILL BE PERMITTED ONLY WITH THE EXPRESS WRITTEN APPROVAL OF THE DEPARTMENTAL REPRESENTATIVE. THE DEPARTMENTAL REPRESENTATIVE'S DETERMINATION FOR THE "EQUAL OR BETTER" SHALL BE FINAL AND BINDING.
- THE CONTRACTOR SHALL NOTIFY THE DEPARTMENTAL REPRESENTATIVE A MINIMUM OF 48 HOURS PRIOR TO REQUIRED INSPECTIONS INCLUDING, BUT NOT LIMITED TO THE FOLLOWING:
 - MOBILIZATION
 - DURING PIPE LAYING
 - DURING PREPARATION OF PAVEMENT STRUCTURE
 - DURING CONSTRUCTION OF DETENTION FACILITIES
 - TESTING OF ALL UTILITIES
 - AFTER COMPLETION OF ALL WORK
- TRENCHES ACROSS EXISTING PAVEMENT, CURBS, SIDEWALK AND BOULEVARDS SHALL BE REINSTATED IN COMPLIANCE WITH THE MUNICIPAL SPECIFICATIONS AND STANDARD DRAWINGS AND RECOMMENDATIONS OF THE GEOTECHNICAL ENGINEER.
- ALL EARTHWORKS, MATERIALS, SUBGRADE DRAINAGE, SUBGRADE AND PAVEMENT STRUCTURE TO COMPLY WITH THE GEOTECHNICAL SITE ASSESSMENT PREPARED BY WSP (FORMALLY LEVELTON CONSULTANTS LTD.) FILE#: R715-1159-00
- GEOTECHNICAL ENGINEER TO REVIEW AND APPROVE ALL EARTHWORKS. THE CONTRACTOR SHALL NOT BEGIN BACKFILL OPERATIONS UNTIL THE EXCAVATION WORKS AND SUB-GRADE COMPACTION HAVE BEEN APPROVED BY THE GEOTECHNICAL ENGINEER.
- THE CONTRACTOR SHALL MAINTAIN ALL MUNICIPAL ROADS PROVIDING ACCESS TO THE CONSTRUCTION SITE AND ARRANGE FOR ADEQUATE STREET CLEANING DURING TIMES OF CONSTRUCTION.
- THE CONTRACTOR SHALL MAINTAIN SERVICES AND ACCESS TO EXISTING FACILITIES AT ALL TIMES. ANY DISRUPTIONS THAT ARE UNAVOIDABLE WILL REQUIRE A MINIMUM OF 48 HOUR NOTICE. SINGLE LANE TRAFFIC MUST BE MAINTAINED AT ALL TIMES. THE CONTRACTOR SHALL AT ALL TIMES IMPLEMENT AND MAINTAIN ADEQUATE TRAFFIC CONTROL TO ENSURE THE CONVENIENCE AND SAFETY OF THE TRAVELING PUBLIC, THE SAFETY OF THE WORKERS ON THE PROJECT AND THE PROTECTION OF THE WORK TO THE SATISFACTION OF THE DEPARTMENTAL REPRESENTATIVE.
- THE CONTRACTOR SHALL BE RESPONSIBLE FOR ALL APPROPRIATE MEASURES TO ENSURE THE SAFETY OF PEDESTRIANS AND CYCLISTS, AND THE SECURITY OF THE WORK AREA DURING CONSTRUCTION. ALL EXCAVATION LEFT OPEN DURING NON-CONSTRUCTION AND UNSUPERVISED PERIODS SHALL BE ADEQUATELY FENCED AND BARRIERED.
- THE CONTRACTOR SHALL RECORD ON A CURRENT SET OF PLANS IN A NEAT MANNER, ALL CHANGES ADDITIONS AND DELETIONS TO REFLECT THE "AS CONSTRUCTED" INSTALLATION. THE SET OF PLANS SHALL BE RETURNED TO THE DEPARTMENTAL REPRESENTATIVE AT THE COMPLETION OF THE WORKS AND PRIOR TO THE ISSUANCE OF SUBSTANTIAL PERFORMANCE.

Revision/Revision	Description/Description	Date/Date
5	ISSUED FOR TENDER	2017/03/23
4	100% COMPLETE - ISSUED FOR REVIEW	2017/03/14
3	99% COMPLETE - ISSUED FOR REVIEW	2017/02/17
2	66% COMPLETE - ISSUED FOR REVIEW	2016/12/14
1	33% COMPLETE - ISSUED FOR REVIEW	2016/08/19

PUBLIC WORKS AND GOVERNMENT SERVICES CANADA

PARKS CANADA- ROGERS PASS MAINTENANCE COMPOUND INFRASTRUCTURE IMPROVEMENTS PHASE 2

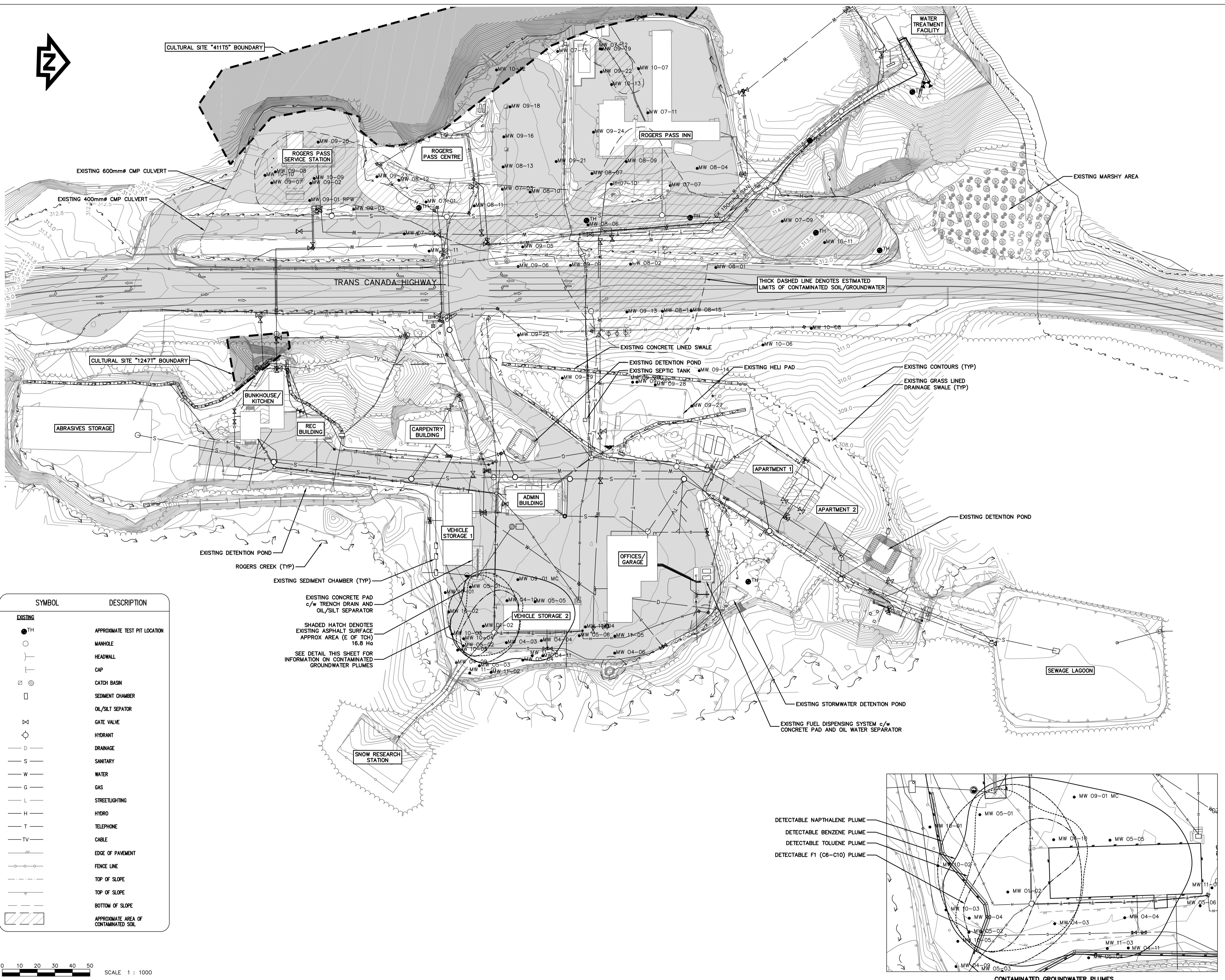
Consultant Signature Only
WEDLER ENGINEERING LLP
Designed by/Concept par
SBR
Drawn by/Dessiné par
DBB
PWSSC Project Manager/Administrateur de Projets TPSSC
TOM DUNPHY
Regional Manager, Architectural and Engineering Services
Gestionnaire régionale, Services d'architectural et de génie, TPSSC

KEY PLAN

Project No./No. du projet R.076550.001	Sheet/Feuille C01	Revision no./Lo Révision no. 4
--	-----------------------------	--

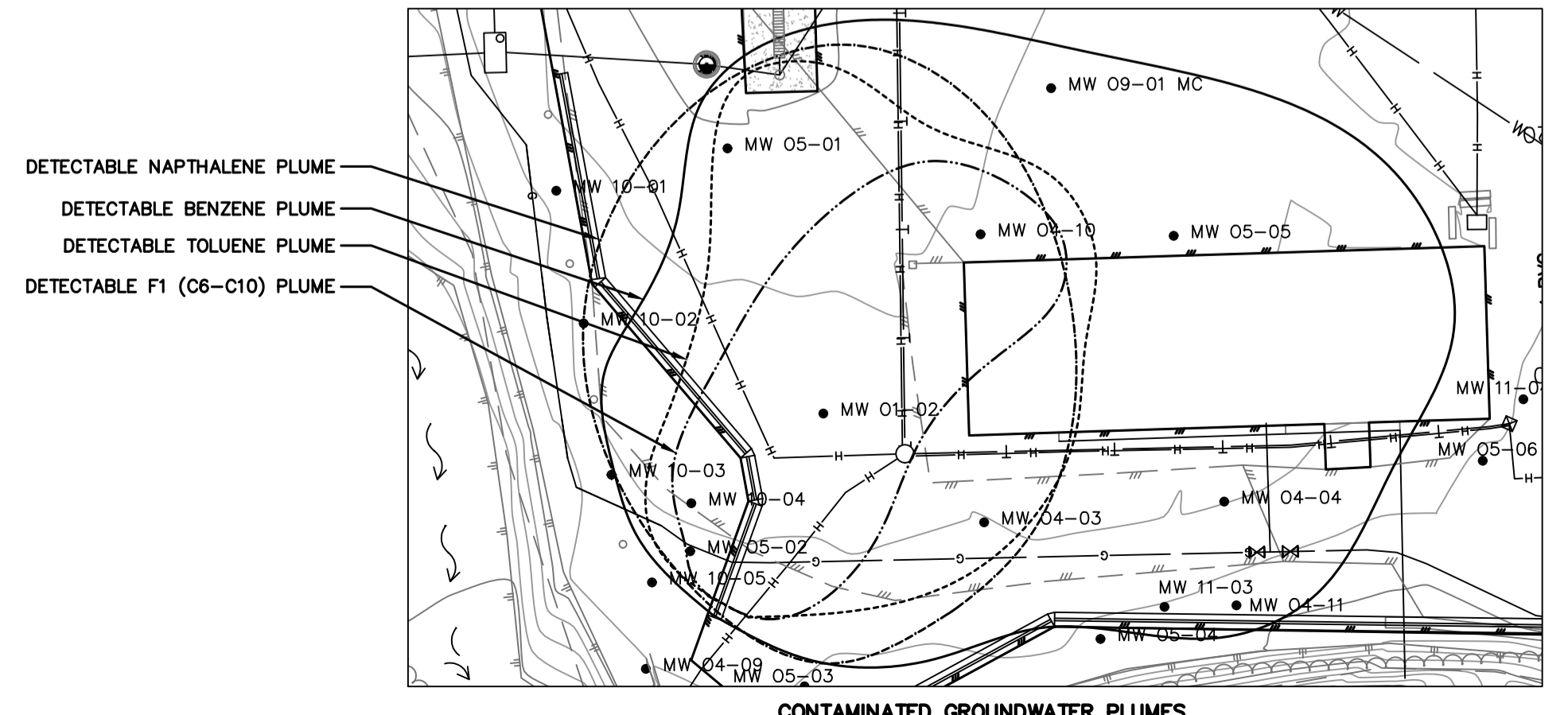
N:\15\15-0218A - PWSSC Standing Offer - Rogers Pass - Stormwater Design - Current Drawings Files\15-0218C - Rogers Pass 100% Draw - 2017/03/23 - 02:27:56 PM - borrow 2017 - WEDLER ENGINEERING LLP - ALL RIGHTS RESERVED - THIS DOCUMENT IS PROTECTED BY COPYRIGHT LAW AND MAY NOT BE REPRODUCED IN ANY MANNER, OR FOR ANY PURPOSE, EXCEPT BY WRITTEN PERMISSION OF COPYRIGHT HOLDER.





SYMBOL	DESCRIPTION
● TH	APPROXIMATE TEST PIT LOCATION
○	MANHOLE
— T —	HEADWALL
○	CAP
⊠	CATCH BASIN
□	SEDIMENT CHAMBER
⊠	OIL/SILT SEPARATOR
⊠	GATE VALVE
○	HYDRANT
— D —	DRAINAGE
— S —	SANITARY
— W —	WATER
— G —	GAS
— L —	STREETLIGHTING
— H —	HYDRO
— T —	TELEPHONE
— TV —	CABLE
—	EDGE OF PAVEMENT
—	FENCE LINE
—	TOP OF SLOPE
—	TOP OF SLOPE
—	BOTTOM OF SLOPE
▨	APPROXIMATE AREA OF CONTAMINATED SOIL

0 10 20 30 40 50
SCALE 1 : 1000



Revision/Revision	Description/Description	Date/Date
5	ISSUED FOR TENDER	2017/03/23
4	100% COMPLETE - ISSUED FOR REVIEW	2017/03/14
3	99% COMPLETE - ISSUED FOR REVIEW	2017/02/17
2	66% COMPLETE - ISSUED FOR REVIEW	2016/12/14
1	33% COMPLETE - ISSUED FOR REVIEW	2016/08/19

PUBLIC WORKS AND GOVERNMENT SERVICES CANADA

PARKS CANADA- ROGERS PASS MAINTENANCE COMPOUND INFRASTRUCTURE IMPROVEMENTS PHASE 1

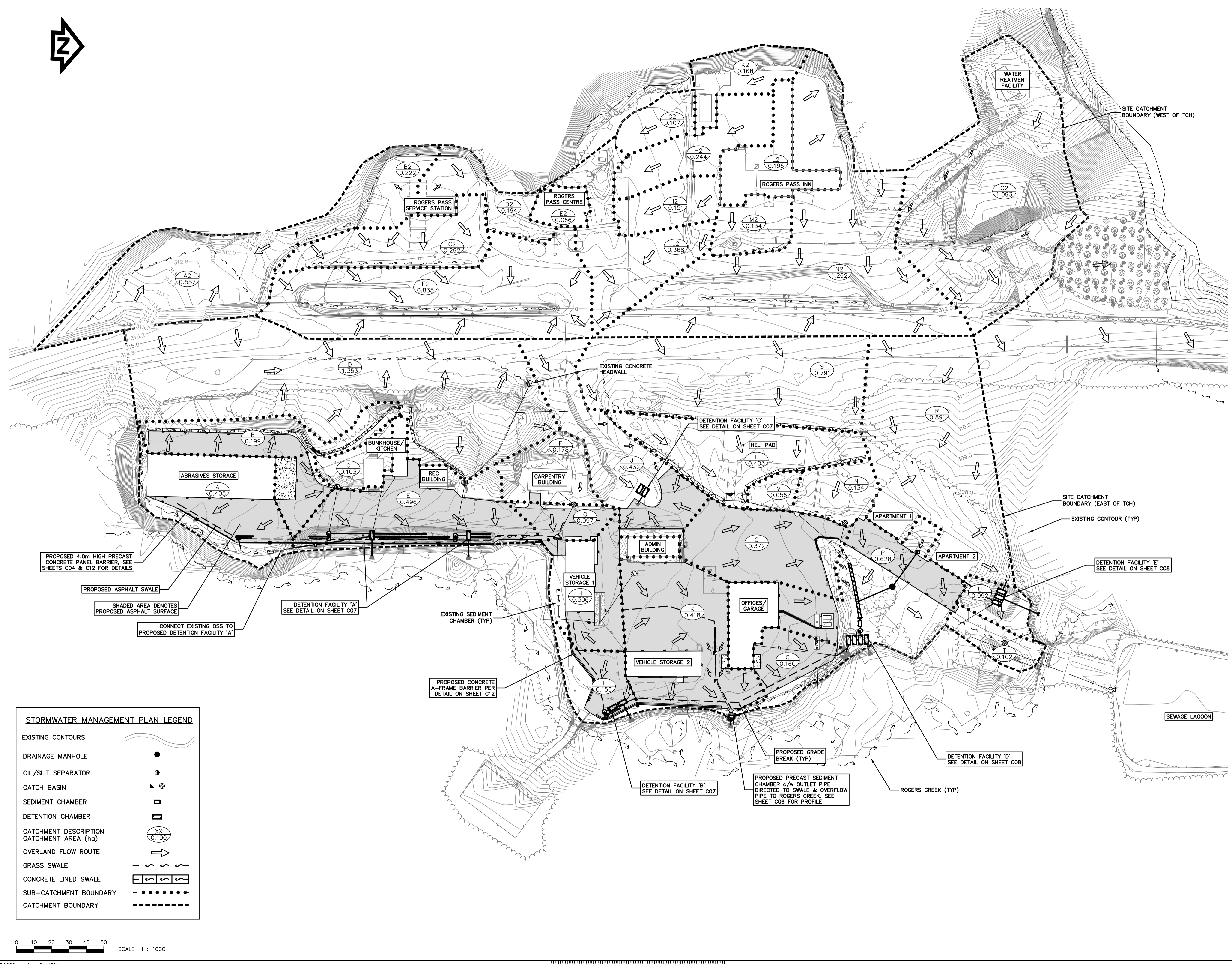
Consultant Signature Only
WEDLER ENGINEERING LLP
 Designed by/Concept par
SBR
 Drawn by/Dessiné par
DBB
 PWSCC Project Manager/Administrateur de Projets TPSCC
TOM DUNPHY
 Regional Manager, Architectural and Engineering Services
 Gestionnaire régionale, Services d'architectural et de génie, TPSCC

Drawing title/Titre du dessin
EXISTING SITE PLAN

Project No./No. du projet	Sheet/Feuille	Revision no./Lo Révision no.
R.076550.001	C02	4

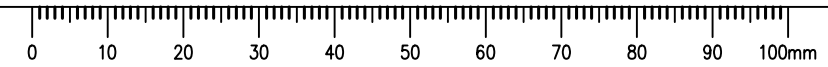
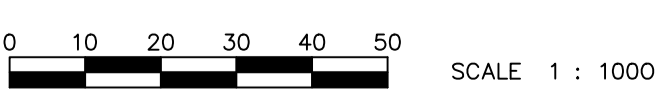
N:\15\15-0218A - PWSCC Standing Offer 8 - Glacier Natl Park - Stormwater Design\ - Current Drawings Files\15-0218C - Rogers Pass 100% dwg - 2017/3/23 02:28:09 PM - borrow 2017 - WEDLER ENGINEERING LLP - ALL RIGHTS RESERVED - THIS DOCUMENT IS PROTECTED BY COPYRIGHT LAW AND MAY NOT BE REPRODUCED IN ANY MANNER, OR FOR ANY PURPOSE, EXCEPT BY WRITTEN PERMISSION OF COPYRIGHT HOLDER.





STORMWATER MANAGEMENT PLAN LEGEND

EXISTING CONTOURS	
DRAINAGE MANHOLE	
OIL/SILT SEPARATOR	
CATCH BASIN	
SEDIMENT CHAMBER	
DETENTION CHAMBER	
CATCHMENT DESCRIPTION CATCHMENT AREA (ha)	
OVERLAND FLOW ROUTE	
GRASS SWALE	
CONCRETE LINED SWALE	
SUB-CATCHMENT BOUNDARY	
CATCHMENT BOUNDARY	



Revision/	Description/Description	Date/Date
5	ISSUED FOR TENDER	2017/03/23
4	100% COMPLETE - ISSUED FOR REVIEW	2017/03/14
3	99% COMPLETE - ISSUED FOR REVIEW	2017/02/17
2	66% COMPLETE - ISSUED FOR REVIEW	2016/12/14
1	33% COMPLETE - ISSUED FOR REVIEW	2016/08/19

PUBLIC WORKS AND GOVERNMENT SERVICES CANADA

PARKS CANADA- ROGERS PASS MAINTENANCE COMPOUND INFRASTRUCTURE IMPROVEMENTS PHASE 2

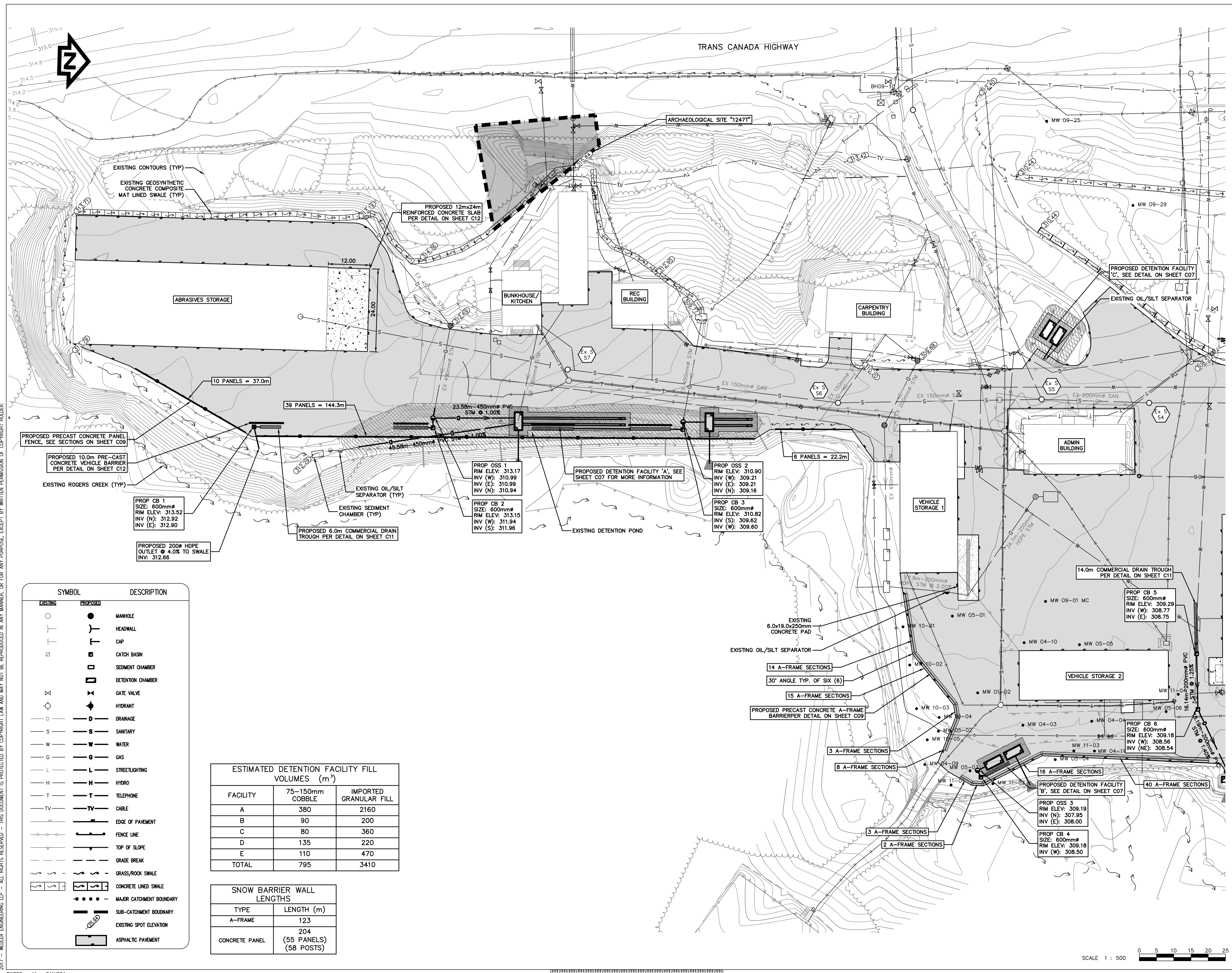
Consultant Signature Only
WEDLER ENGINEERING LLP
 Designed by/Concept par
SBR
 Drawn by/Dessiné par
DBB
 PWSC Project Manager/Administrateur de Projets TPSCG
TOM DUNPHY
 Regional Manager, Architectural and Engineering Services
 Gestionnaire régionale, Services d'architecture et de génie, TPSCG

STORMWATER MANAGEMENT PLAN

Project No./No. du projet R.076550.001	Sheet/ Feuille C03	Revision no./ Lo Révision no. 4
--	------------------------------	--

N:\15\15-0218A - PWSC Standing Offer 8 - Glacier Natl Park - Stormwater Design - Rogers Pass\15-0218C - Rogers Pass\15-0218C.dwg, 2017/03/23, 02:28:15 PM, lborrow
2017 - WEDLER ENGINEERING LLP - ALL RIGHTS RESERVED - THIS DOCUMENT IS PROTECTED BY COPYRIGHT LAW AND MAY NOT BE REPRODUCED IN ANY MANNER, OR FOR ANY PURPOSE, EXCEPT BY WRITTEN PERMISSION OF COPYRIGHT HOLDER.





N:\15\15-0218A - PWSC Standing Offer - Glacier Natl Park - Stormwater\Design - Current Drawings Files\15-0218A - Roger's Pass_100%dwg_2017/03/23_02:28:25 PM_borrow
 2017 - WEDLER ENGINEERING LP - ALL RIGHTS RESERVED - THIS DOCUMENT IS PROTECTED BY COPYRIGHT LAW AND MAY NOT BE REPRODUCED IN ANY MANNER, OR FOR ANY PURPOSE, EXCEPT BY WRITTEN PERMISSION OF COPYRIGHT HOLDER.

SYMBOL		DESCRIPTION
○	●	MANHOLE
—	—	HEADWALL
—	—	CAP
□	□	CATCH BASIN
□	□	SEDIMENT CHAMBER
□	□	DETENTION CHAMBER
⊗	⊗	GATE VALVE
○	○	HYDRANT
—	—	DRAINAGE
—	—	SANITARY
—	—	WATER
—	—	GAS
—	—	STREETLIGHTING
—	—	HYDRO
—	—	TELEPHONE
—	—	CABLE
—	—	EDGE OF PAVEMENT
—	—	FENCE LINE
—	—	TOP OF SLOPE
—	—	GRADE BREAK
—	—	GRASS/ROCK SWALE
—	—	CONCRETE LINED SWALE
—	—	MAJOR CATCHMENT BOUNDARY
—	—	SUB-CATCHMENT BOUNDARY
—	—	EXISTING SPOT ELEVATION
—	—	ASPHALTIC PAVEMENT

FACILITY	75-150mm COBBLE	IMPORTED GRANULAR FILL
A	380	2160
B	90	200
C	80	360
D	135	220
E	110	470
TOTAL	795	3410

TYPE	LENGTH (m)
A-FRAME	123
CONCRETE PANEL	204 (55 PANELS) (58 POSTS)

Revision/Revision	Description/Description	Date/Date
5	ISSUED FOR TENDER	2017/03/23
4	100% COMPLETE - ISSUED FOR REVIEW	2017/03/14
3	99% COMPLETE - ISSUED FOR REVIEW	2017/02/17
2	66% COMPLETE - ISSUED FOR REVIEW	2016/12/14
1	33% COMPLETE - ISSUED FOR REVIEW	2016/08/19

PUBLIC WORKS AND GOVERNMENT SERVICES CANADA

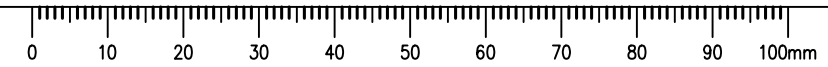
Project title/Titre du projet
PARKS CANADA - ROGERS PASS MAINTENANCE COMPOUND INFRASTRUCTURE IMPROVEMENTS PHASE 2

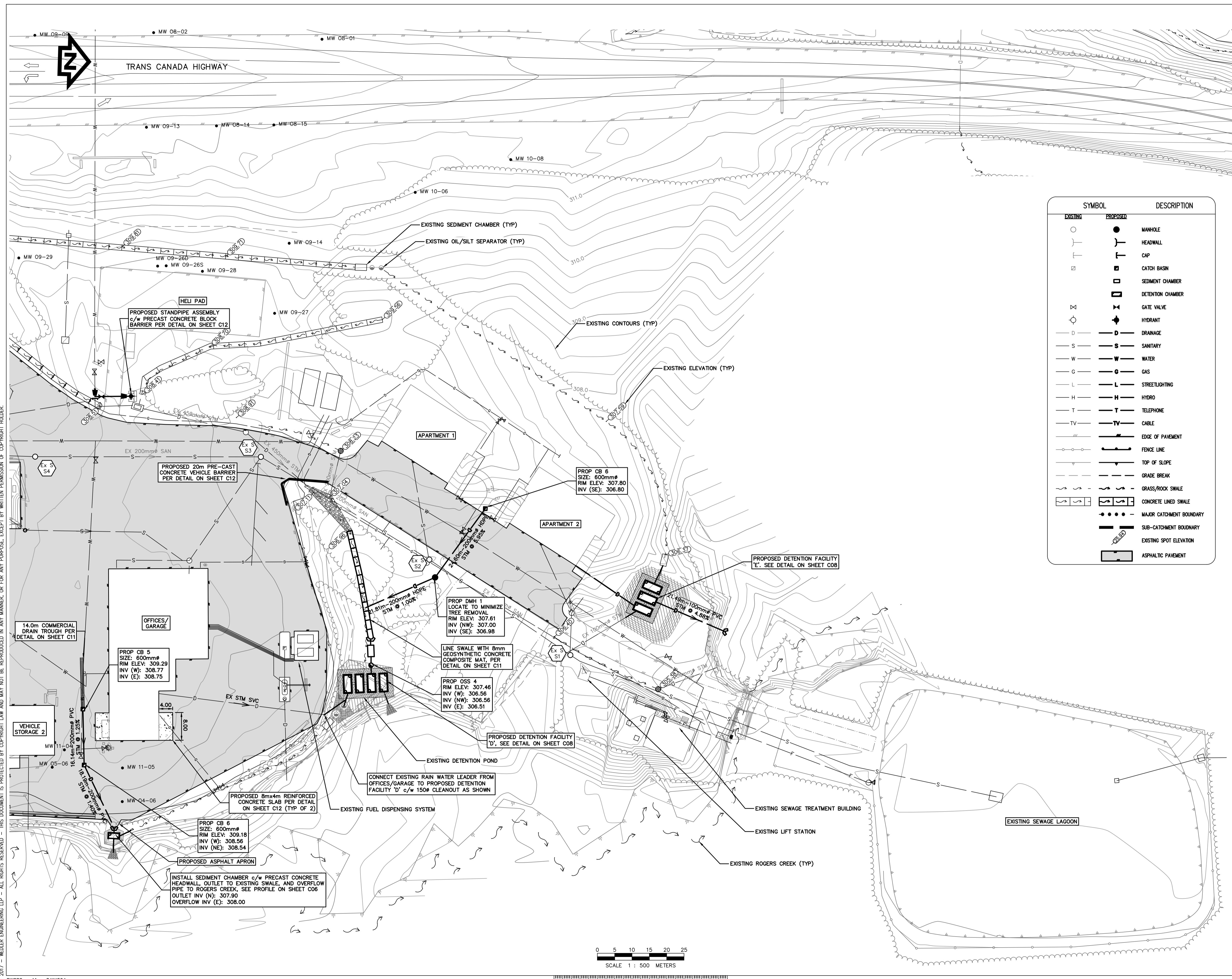
Consultant Signature Only
WEDLER ENGINEERING LLP
 SBR
 Drawn by/Dessiné par
DBB
 PWSC Project Manager/Administrateur de Projets TPSCG
TOM DUNPHY
 Regional Manager, Architectural and Engineering Services
 Gestionnaire régionale, Services d'architecture et de génie, TPSCG

Drawing title/Titre du dessin
STORMWATER FACILITIES PLAN SOUTH EAST

Project No./No. du projet R.076550.001	Sheet/Feuille C04	Revision no./Lo Révision no. 4
--	-----------------------------	--

SCALE 1 : 500





SYMBOL		DESCRIPTION
EXISTING	PROPOSED	
○	●	MANHOLE
┌	┌	HEADWALL
□	□	CATCH BASIN
□	□	SEDIMENT CHAMBER
□	□	DETENTION CHAMBER
⊗	⊗	GATE VALVE
○	○	HYDRANT
— D —	— D —	DRAINAGE
— S —	— S —	SANITARY
— W —	— W —	WATER
— G —	— G —	GAS
— L —	— L —	STREETLIGHTING
— H —	— H —	HYDRO
— T —	— T —	TELEPHONE
— TV —	— TV —	CABLE
—	—	EDGE OF PAVEMENT
—	—	FENCE LINE
—	—	TOP OF SLOPE
—	—	GRADE BREAK
—	—	GRASS/ROCK SWALE
—	—	CONCRETE LINED SWALE
—	—	MAJOR CATCHMENT BOUNDARY
—	—	SUB-CATCHMENT BOUNDARY
—	—	EXISTING SPOT ELEVATION
—	—	ASPHALTIC PAVEMENT

Revision/	Description/Description	Date/Date
5	ISSUED FOR TENDER	2017/03/23
4	100% COMPLETE - ISSUED FOR REVIEW	2017/03/14
3	99% COMPLETE - ISSUED FOR REVIEW	2017/02/17
2	66% COMPLETE - ISSUED FOR REVIEW	2016/12/14
1	33% COMPLETE - ISSUED FOR REVIEW	2016/08/19

PUBLIC WORKS AND GOVERNMENT SERVICES CANADA

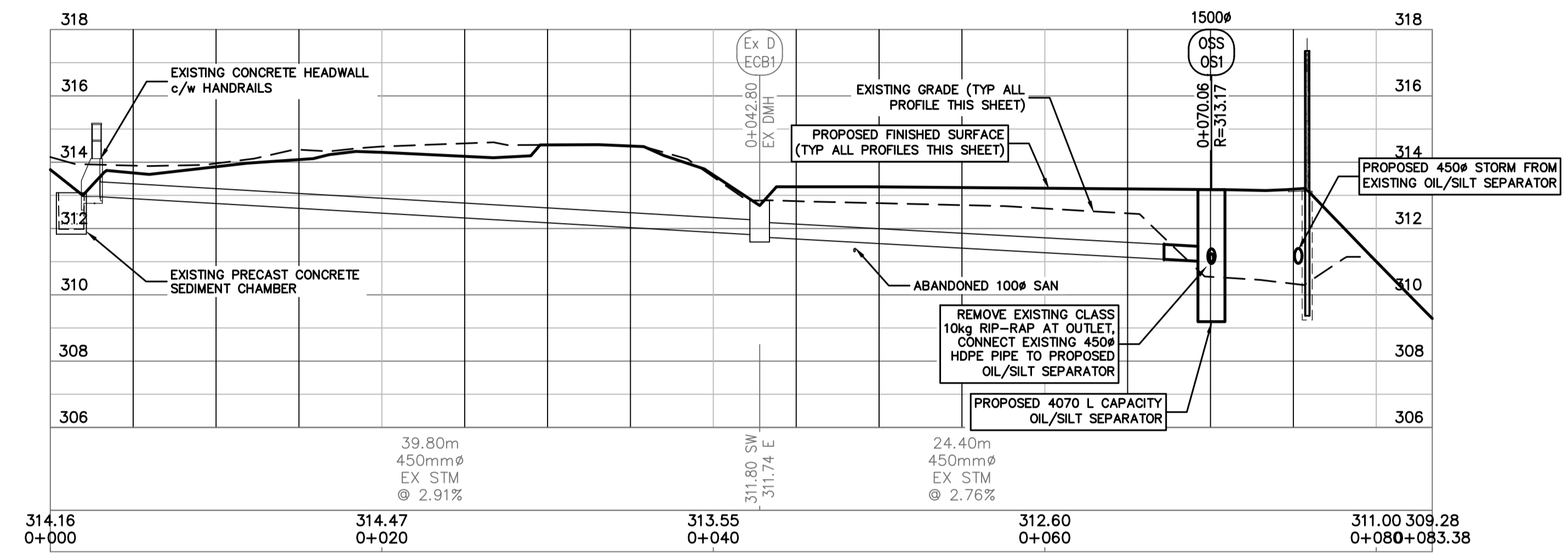
PARKS CANADA - ROGERS PASS MAINTENANCE COMPOUND INFRASTRUCTURE IMPROVEMENTS PHASE 2

Consultant Signature Only
WEDLER ENGINEERING LLP
 Designed by/Concept par
SBR
 Drawn by/Dessiné par
DBB
 PWSC Project Manager/Administrateur de Projets TPSCG
TOM DUNPHY
 Regional Manager, Architectural and Engineering Services,
 Gestionnaire régionale, Services d'architectural et de génie, TPSCG

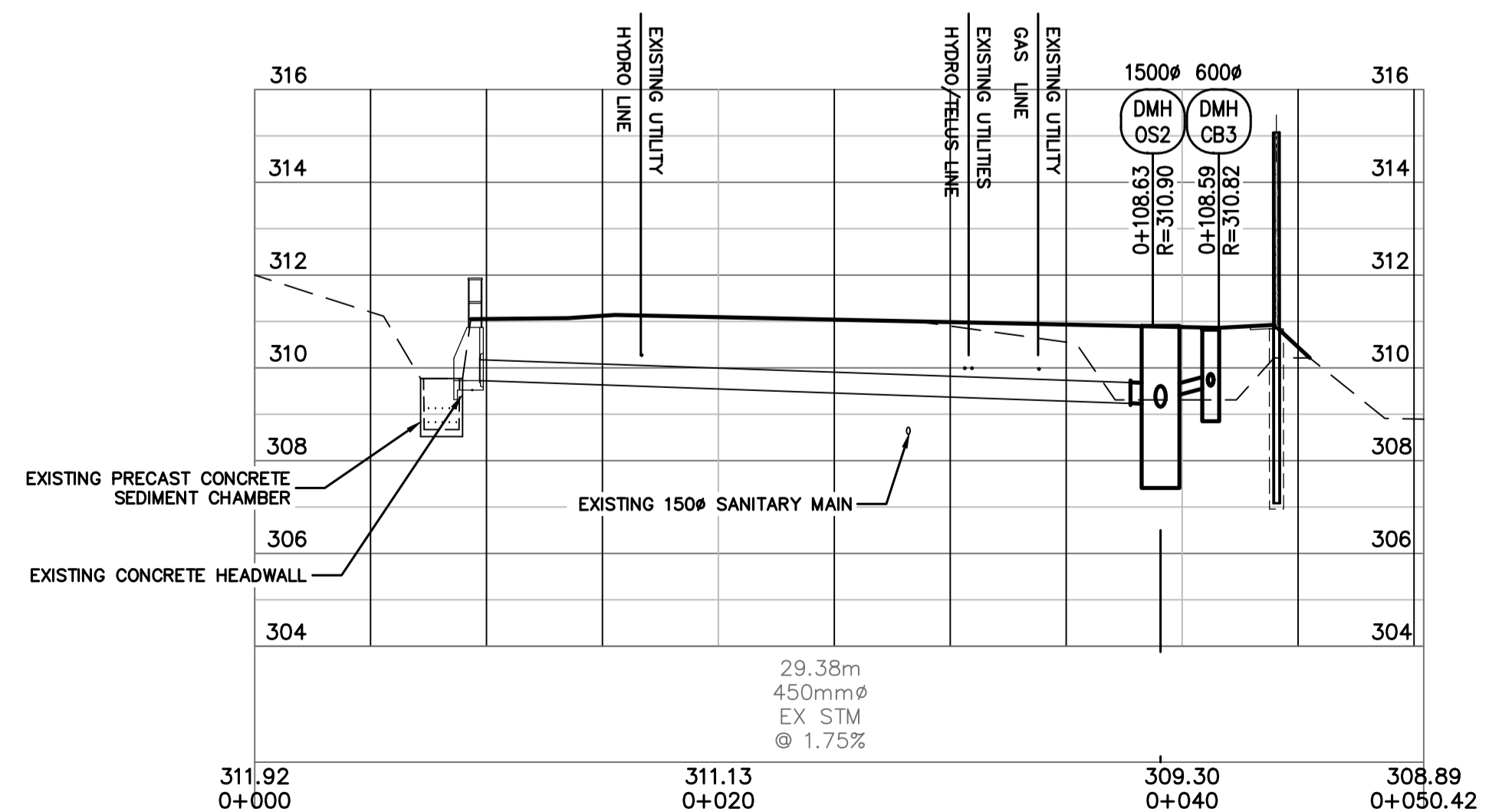
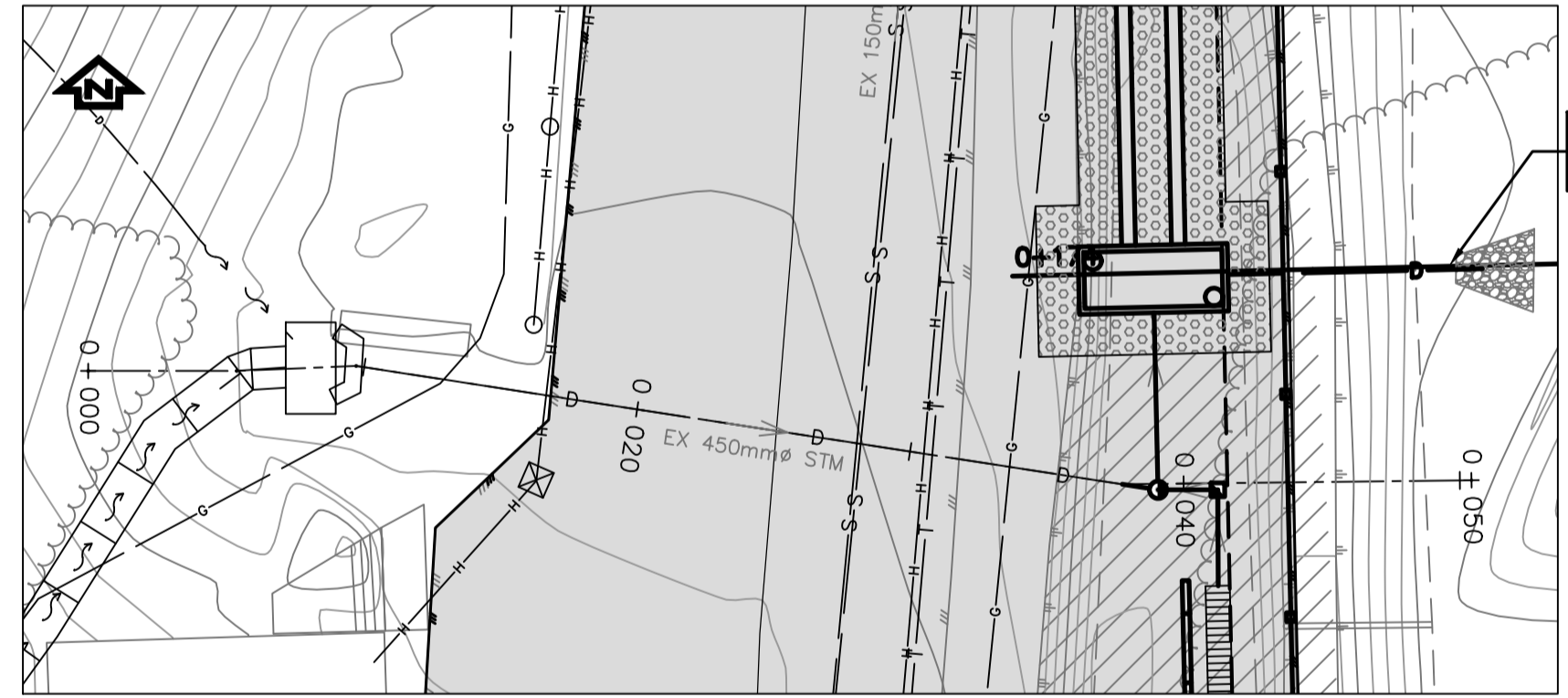
STORMWATER FACILITIES PLAN NORTH EAST

Project No./No. du projet R.076550.001	Sheet/Feuille C05	Revision no./Lo Révision no. 4
--	-----------------------------	--

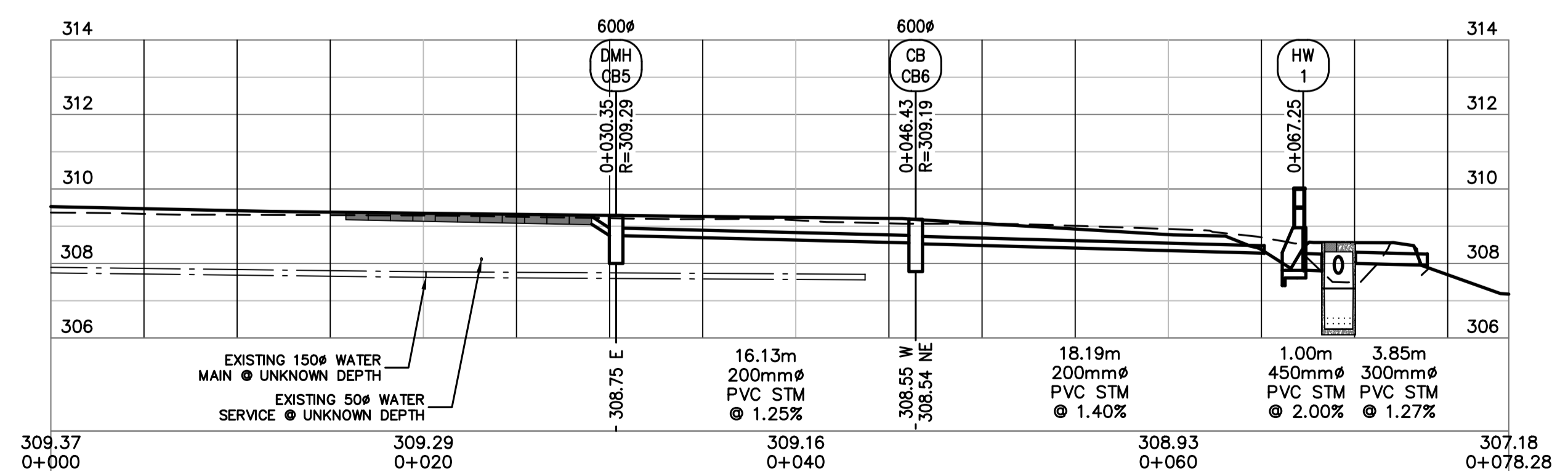
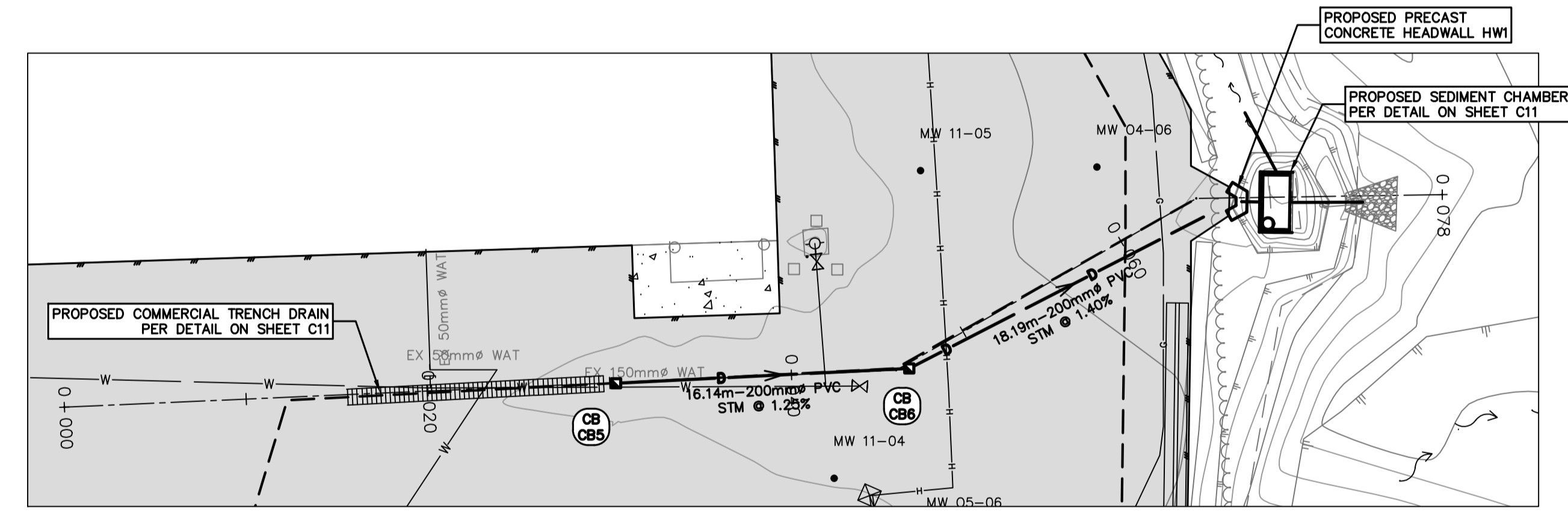
N:\15\15-0218A - PWSC Standing Offer - Stormwater Design - Current Drawings Files\15-0218C - Rogers Pass 100% dwg - 2017/03/23 02:28:35 PM - borrow 2017 - WEDLER ENGINEERING LLP - ALL RIGHTS RESERVED - THIS DOCUMENT IS PROTECTED BY COPYRIGHT LAW AND MAY NOT BE REPRODUCED IN ANY MANNER, OR FOR ANY PURPOSE, EXCEPT BY WRITTEN PERMISSION OF COPYRIGHT HOLDER.



DRAINAGE CULVERT 1 – PLAN & PROFILE
1:250H 1:125V



DRAINAGE CULVERT 2 – PLAN & PROFILE
1:250H 1:125V



TRENCH DRAIN & ASPHALT APRON – PLAN & PROFILE
1:250H 1:125V

Revision/	Description/Description	Date/Date
5	ISSUED FOR TENDER	2017/03/23
4	100% COMPLETE – ISSUED FOR REVIEW	2017/03/14
3	99% COMPLETE – ISSUED FOR REVIEW	2017/02/17
2	66% COMPLETE – ISSUED FOR REVIEW	2016/12/14
1	33% COMPLETE – ISSUED FOR REVIEW	2016/08/19

PUBLIC WORKS AND GOVERNMENT SERVICES CANADA

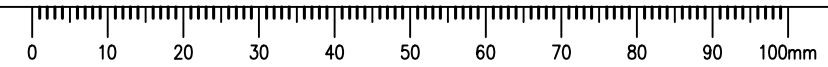
PARKS CANADA - ROGERS PASS MAINTENANCE COMPOUND INFRASTRUCTURE IMPROVEMENTS PHASE 1

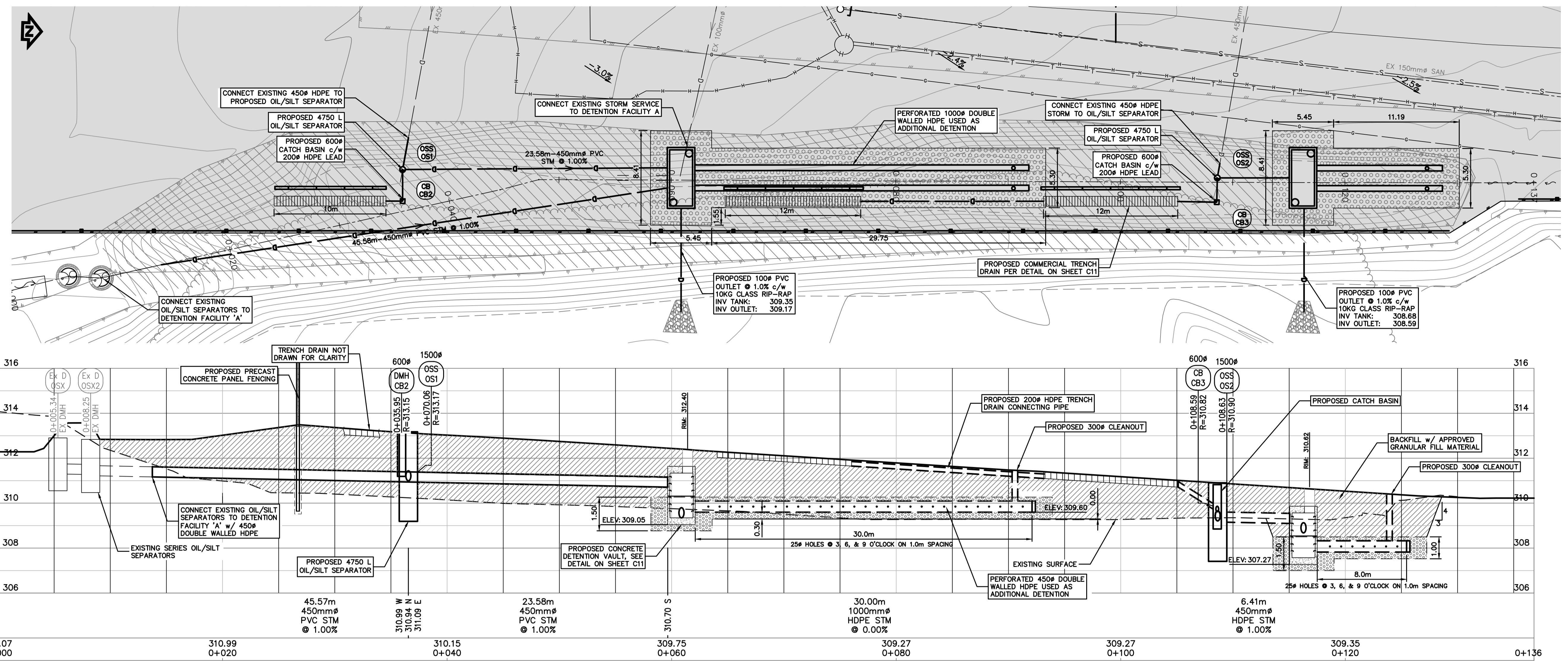
Consultant Signature Only
WEDLER ENGINEERING LLP
Designed by/Concept par
SBR
Drawn by/Dessiné par
DBB
PWGSC Project Manager/Administrateur de Projets TPSCG
TOM DUNPHY
Regional Manager, Architectural and Engineering Services
Gestionnaire régionale, Services d'architecture et de génie, TPSCG

Drawing title/Titre du dessin
STORMWATER PLAN AND PROFILES

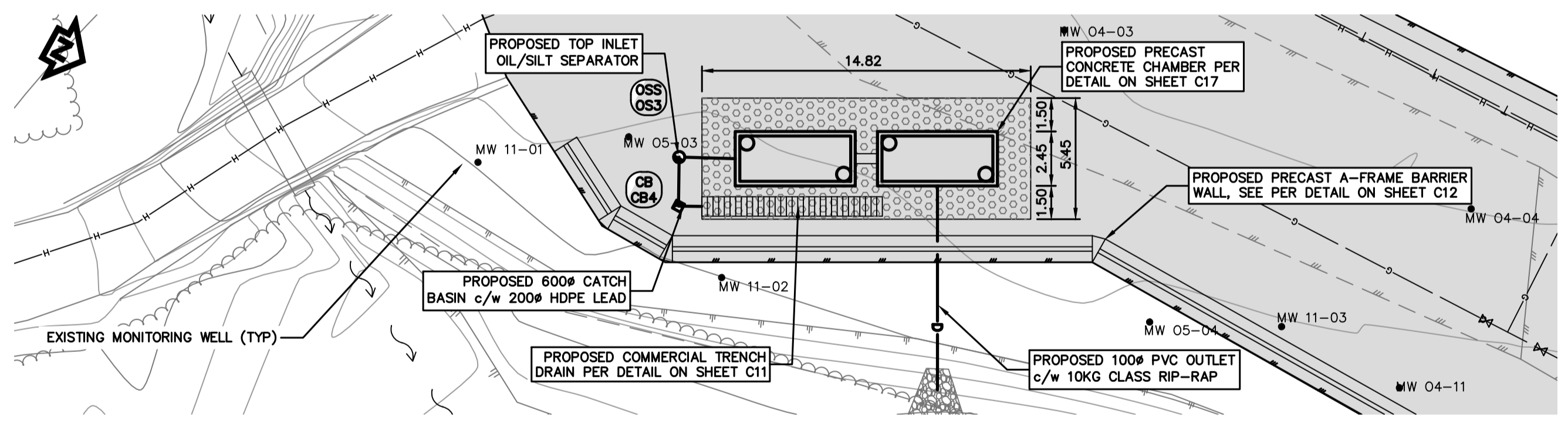
Project No./No. du projet R.076550.001	Sheet/Feuille C06	Revision no./Lo Révision no. 4
--	-----------------------------	--

N:\15\15-0218A - PWGSC Standing Offer 8 - Clever Hill Park - Stormwater Design - Current Drawings Files\15-0218C - Rogers Pass 100% dwg - 2017/13/23 02:29:02 PM - borrow 2017 - WEDLER ENGINEERING LLP - ALL RIGHTS RESERVED - THIS DOCUMENT IS PROTECTED BY COPYRIGHT LAW AND MAY NOT BE REPRODUCED IN ANY MANNER, OR FOR ANY PURPOSE, EXCEPT BY WRITTEN PERMISSION OF COPYRIGHT HOLDER.

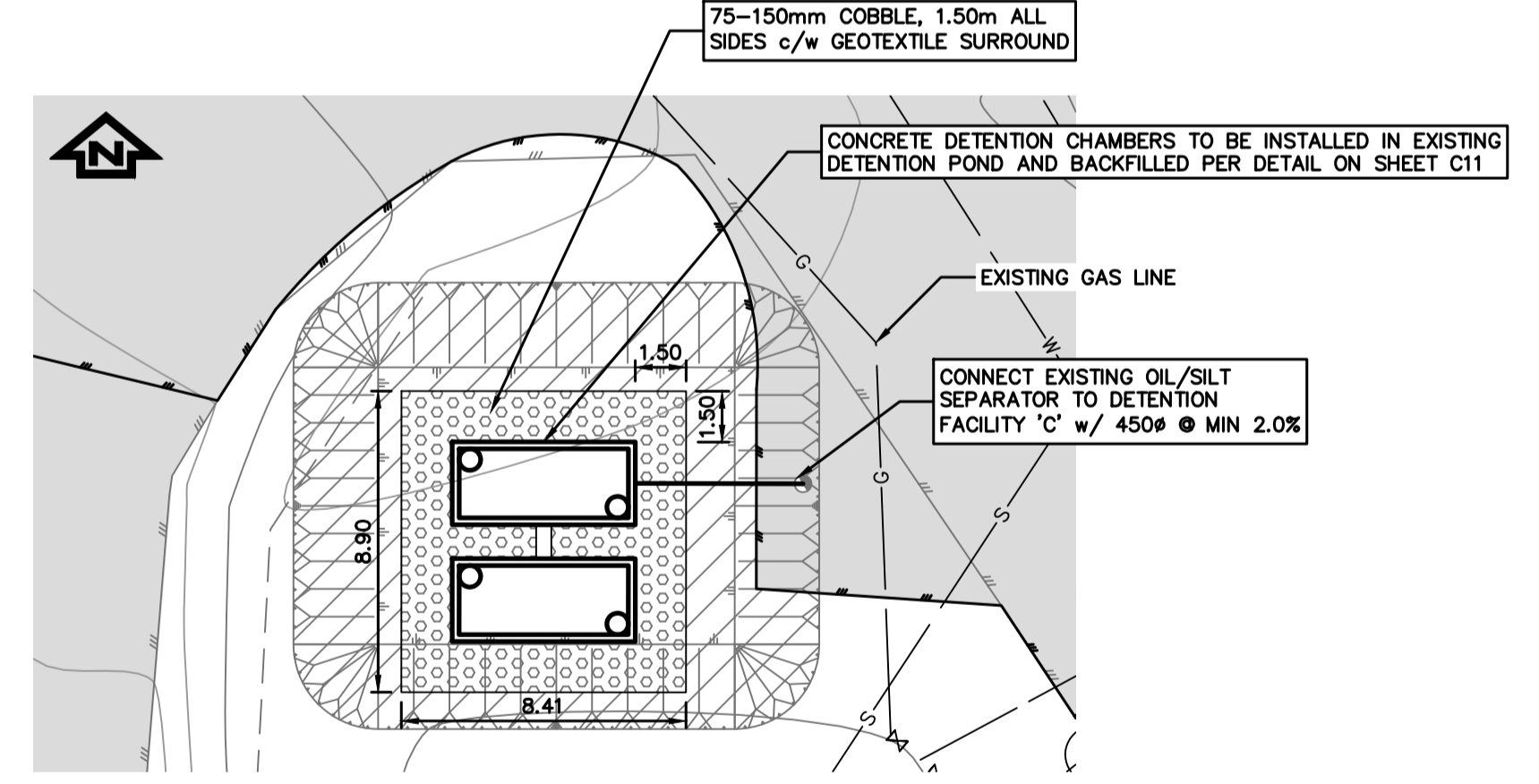




DETENTION FACILITY A PLAN & PROFILE
1:200H 1:100V



DETENTION FACILITY B PLAN & PROFILE
1:200H 1:100V



DETENTION FACILITY C PLAN & PROFILE
1:200H 1:100V

Revision/	Description/Description	Date/Date
5	ISSUED FOR TENDER	2017/03/23
4	100% COMPLETE - ISSUED FOR REVIEW	2017/03/14
3	99% COMPLETE - ISSUED FOR REVIEW	2017/02/17
2	66% COMPLETE - ISSUED FOR REVIEW	2016/12/14
1	33% COMPLETE - ISSUED FOR REVIEW	2016/08/19

PUBLIC WORKS AND GOVERNMENT SERVICES CANADA

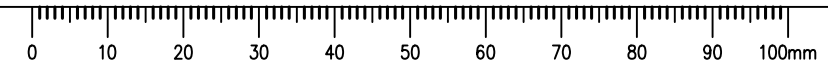
Project title/Titre du projet
PARKS CANADA - ROGERS PASS MAINTENANCE COMPOUND INFRASTRUCTURE IMPROVEMENTS PHASE 2

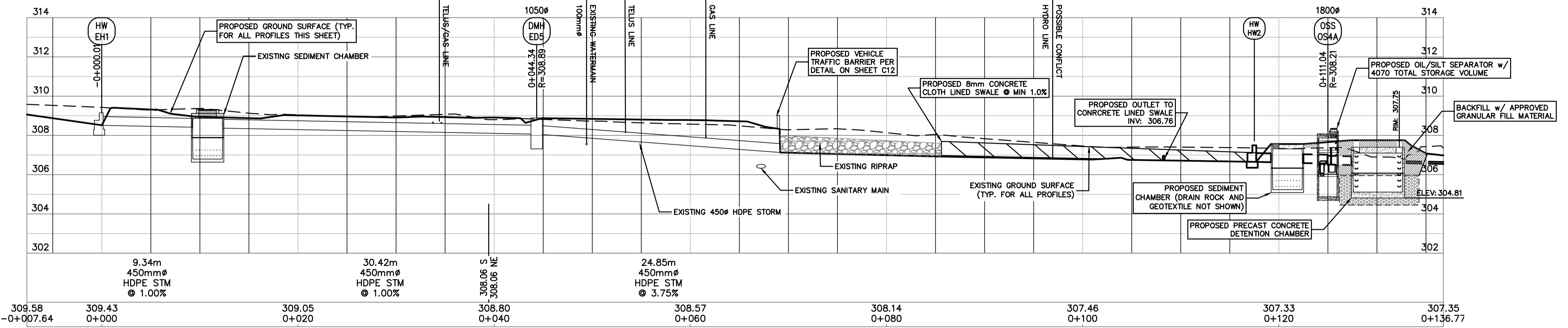
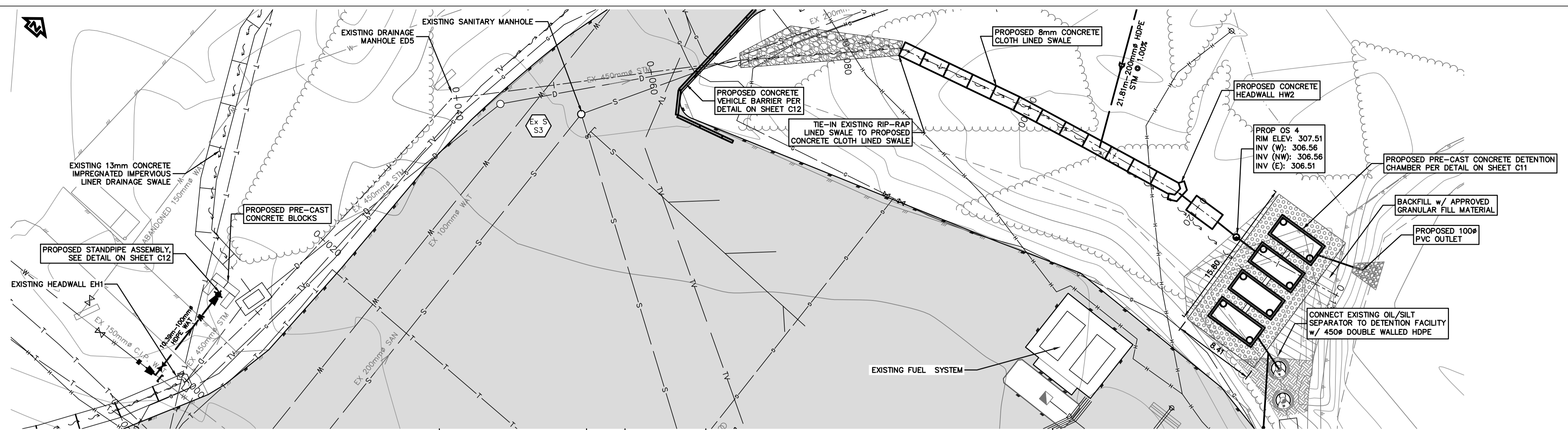
Consultant Signature Only
WEDLER ENGINEERING LLP
Designed by/Concept par
SBR
Drawn by/Dessiné par
DBB
PWSC Project Manager/Administrateur de Projets TPSC
TOM DUNPHY
Regional Manager, Architectural and Engineering Services
Gestionnaire régionale, Services d'architecture et de génie, TPSC

Drawing title/Titre du dessin
UNDERGROUND DETENTION FACILITY DETAILS 1

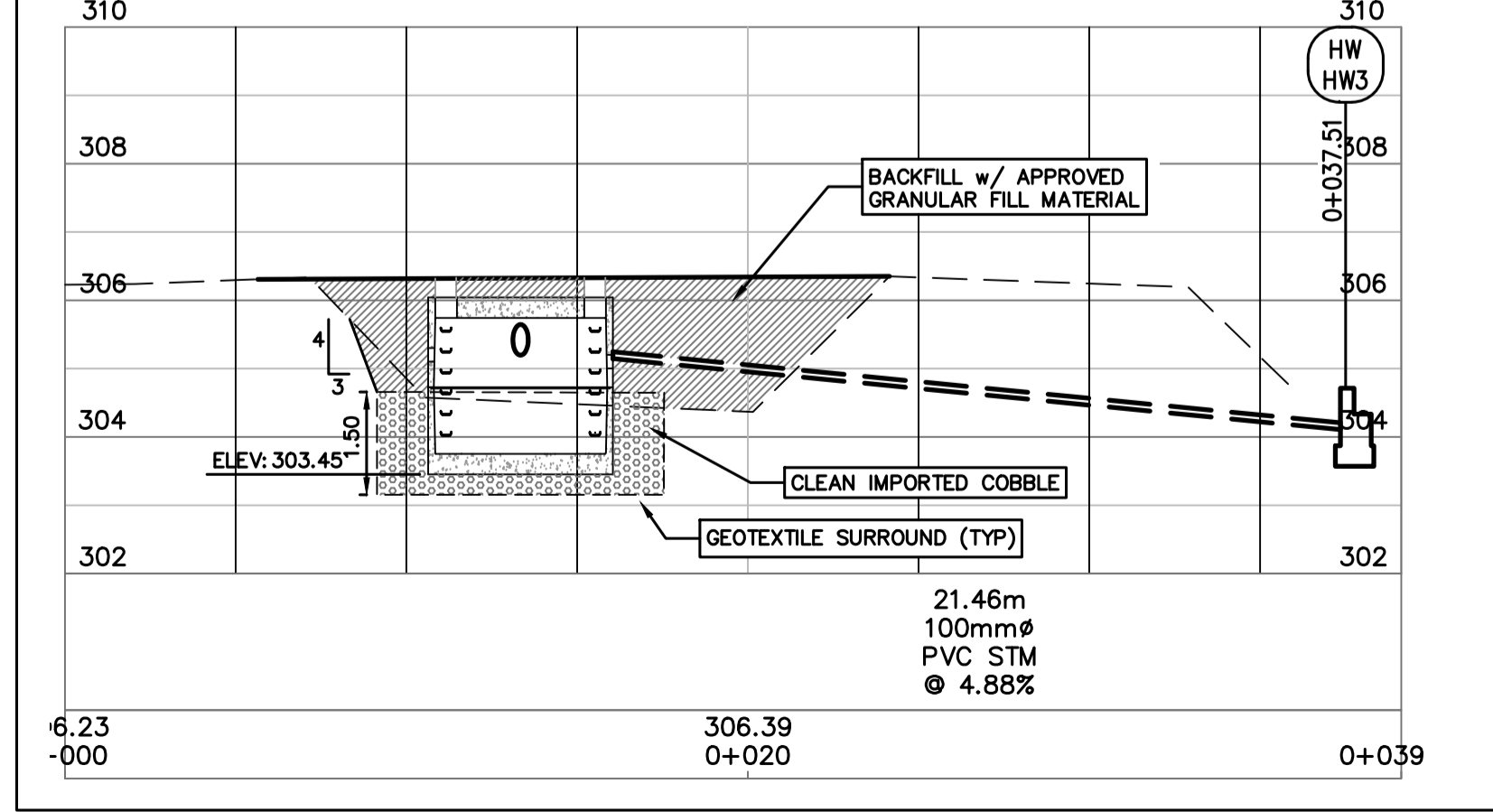
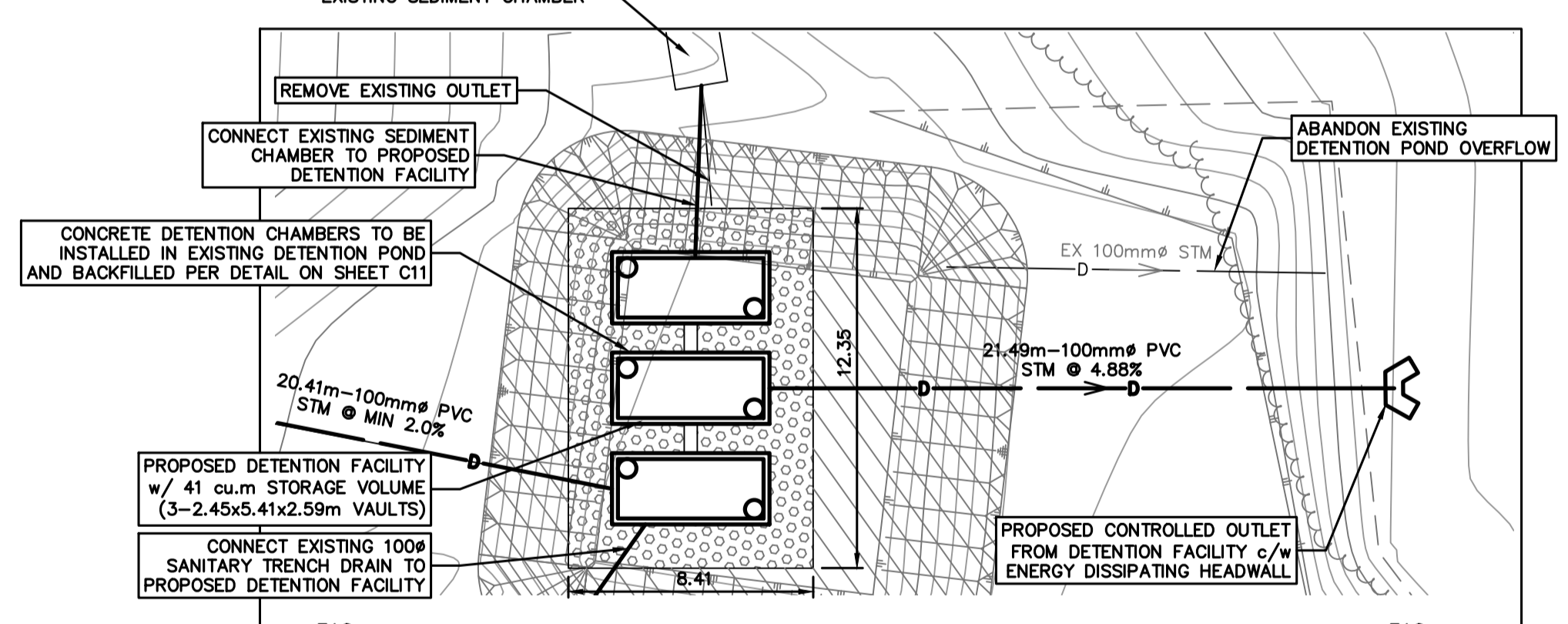
Project No./No. du projet R.076550.001	Sheet/Feuille C07	Revision no./Lo Révision no. 4
--	-----------------------------	--

N:\15\15-0218A - PWSC Standing Offer 8 - Glacier Natl Park - Stormwater\Design - Current Drawings Files\15-0218C - Rogers Pass 100% dwg - 2017/13/23 02:29:23 PM - borrow 2017 - WEDLER ENGINEERING LLP - ALL RIGHTS RESERVED - THIS DOCUMENT IS PROTECTED BY COPYRIGHT LAW AND MAY NOT BE REPRODUCED IN ANY MANNER, OR FOR ANY PURPOSE, EXCEPT BY WRITTEN PERMISSION OF COPYRIGHT HOLDER.





DETENTION FACILITY D PLAN & PROFILE
 1:250H 1:125V



DETENTION FACILITY E PLAN & PROFILE
 1:200H 1:100V

Revision/	Description/Description	Date/Date
5	ISSUED FOR TENDER	2017/03/23
4	100% COMPLETE - ISSUED FOR REVIEW	2017/03/14
3	99% COMPLETE - ISSUED FOR REVIEW	2017/02/17
2	66% COMPLETE - ISSUED FOR REVIEW	2016/12/14
1	33% COMPLETE - ISSUED FOR REVIEW	2016/08/19

PUBLIC WORKS AND GOVERNMENT SERVICES CANADA

Project Title/Titre du projet
PARKS CANADA - ROGERS PASS MAINTENANCE COMPOUND INFRASTRUCTURE IMPROVEMENTS PHASE 2

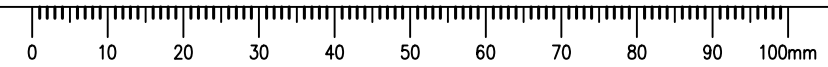
Consultant Signature Only
WEDLER ENGINEERING LLP
 Designed by/Concept par
SBR
 Drawn by/Dessiné par
DBB
 PWSC Project Manager/Administrateur de Projets TPSCG
TOM DUNPHY
 Regional Manager, Architectural and Engineering Services
 Gestionnaire régionale, Services d'architecture et de génie, TPSCG

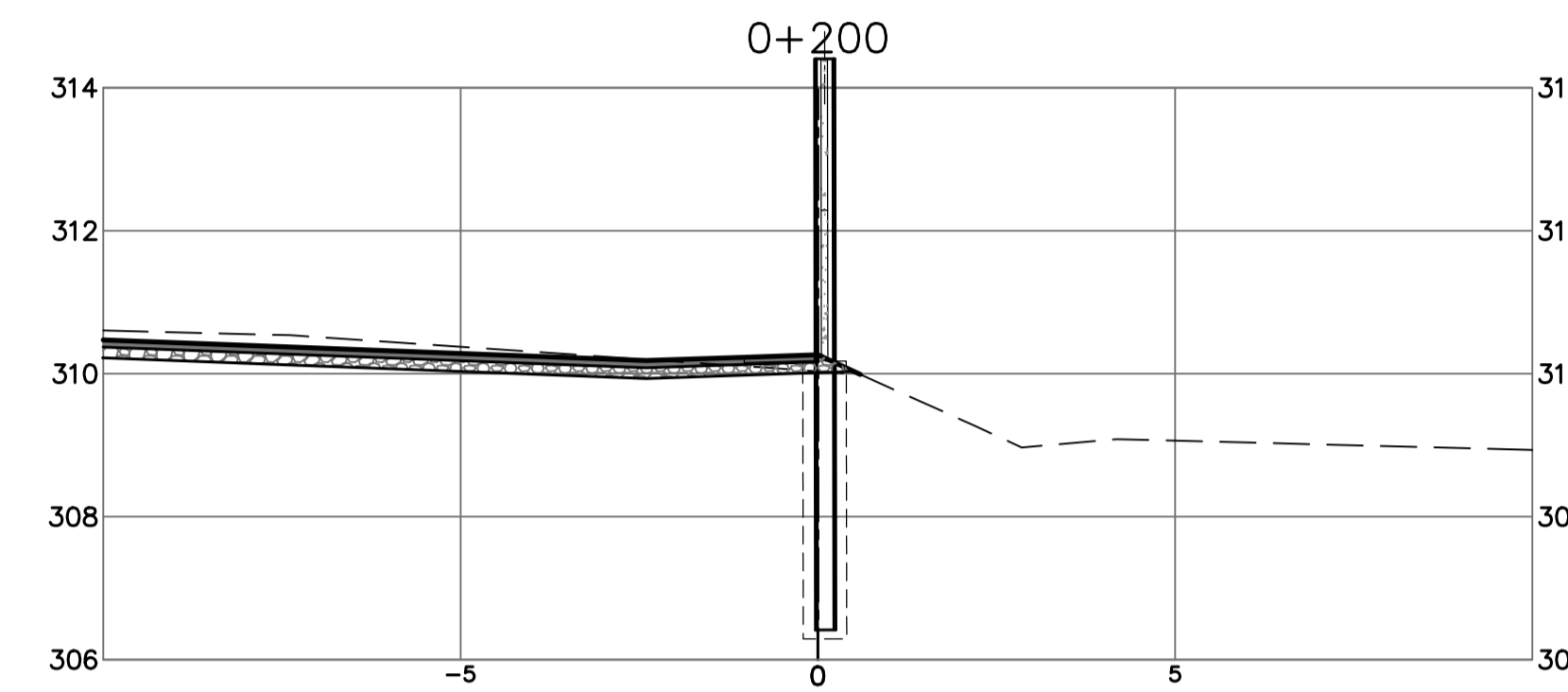
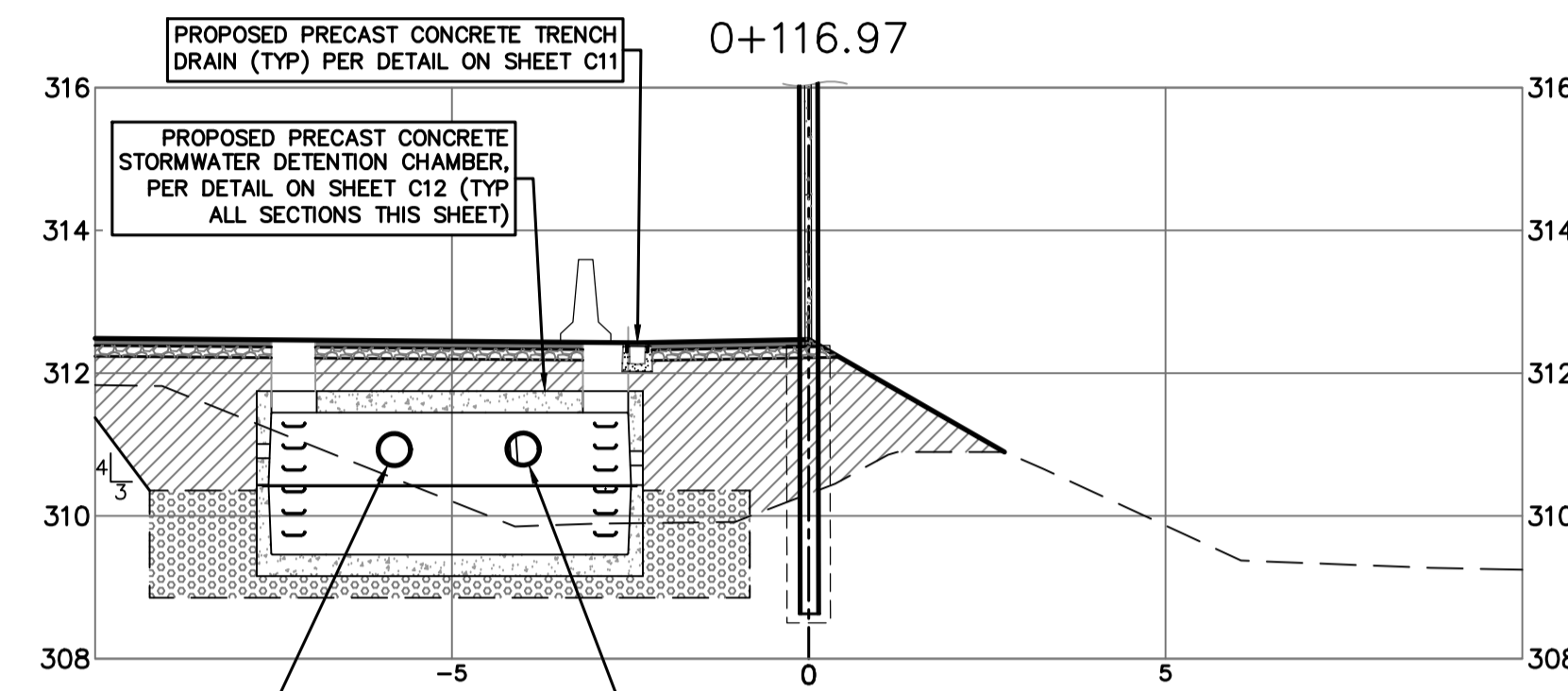
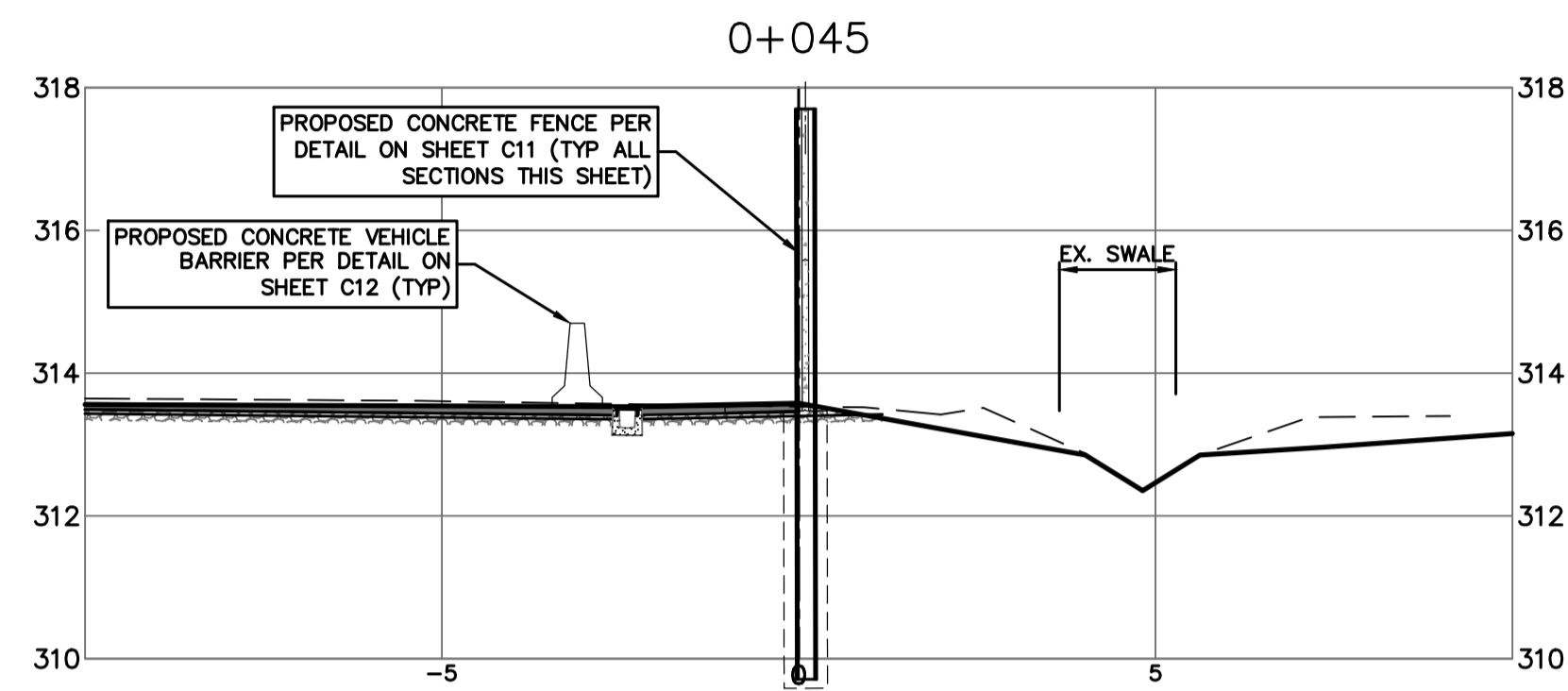
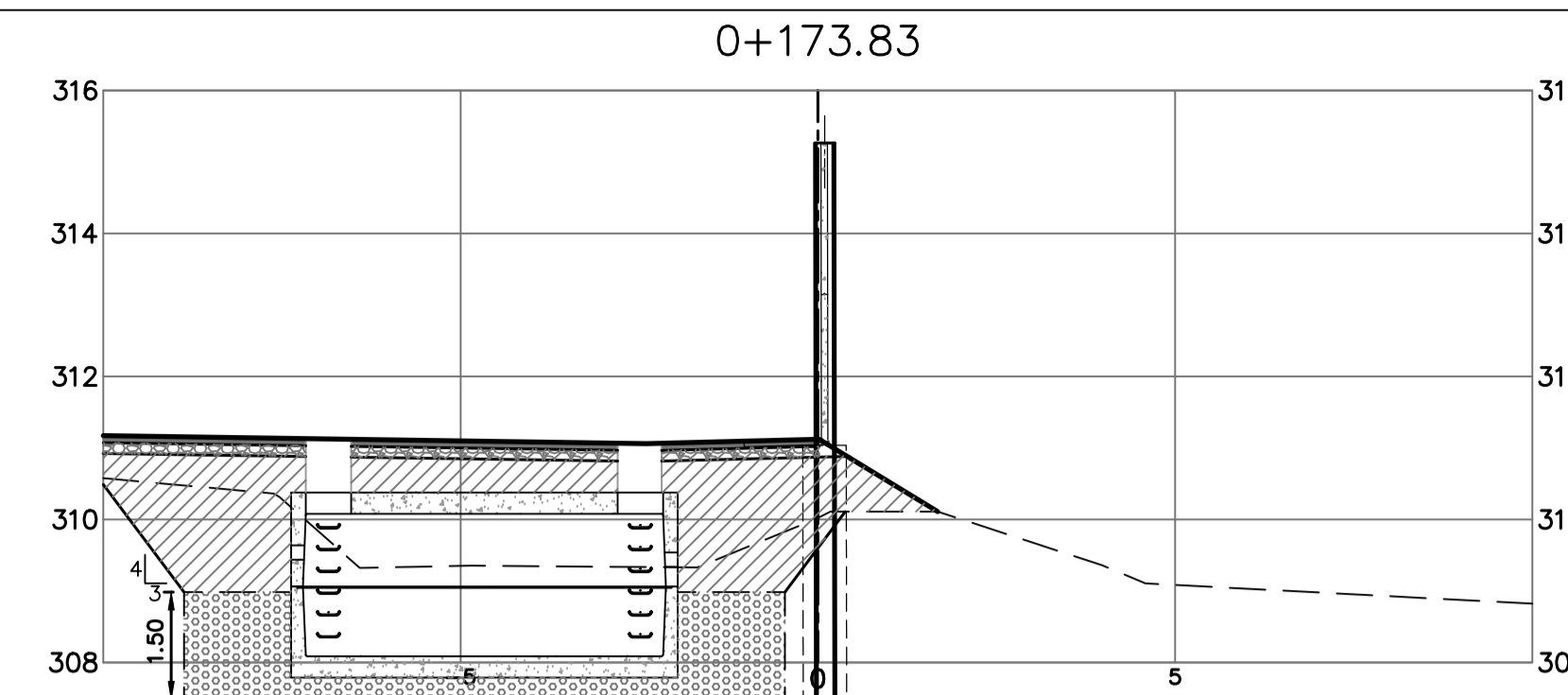
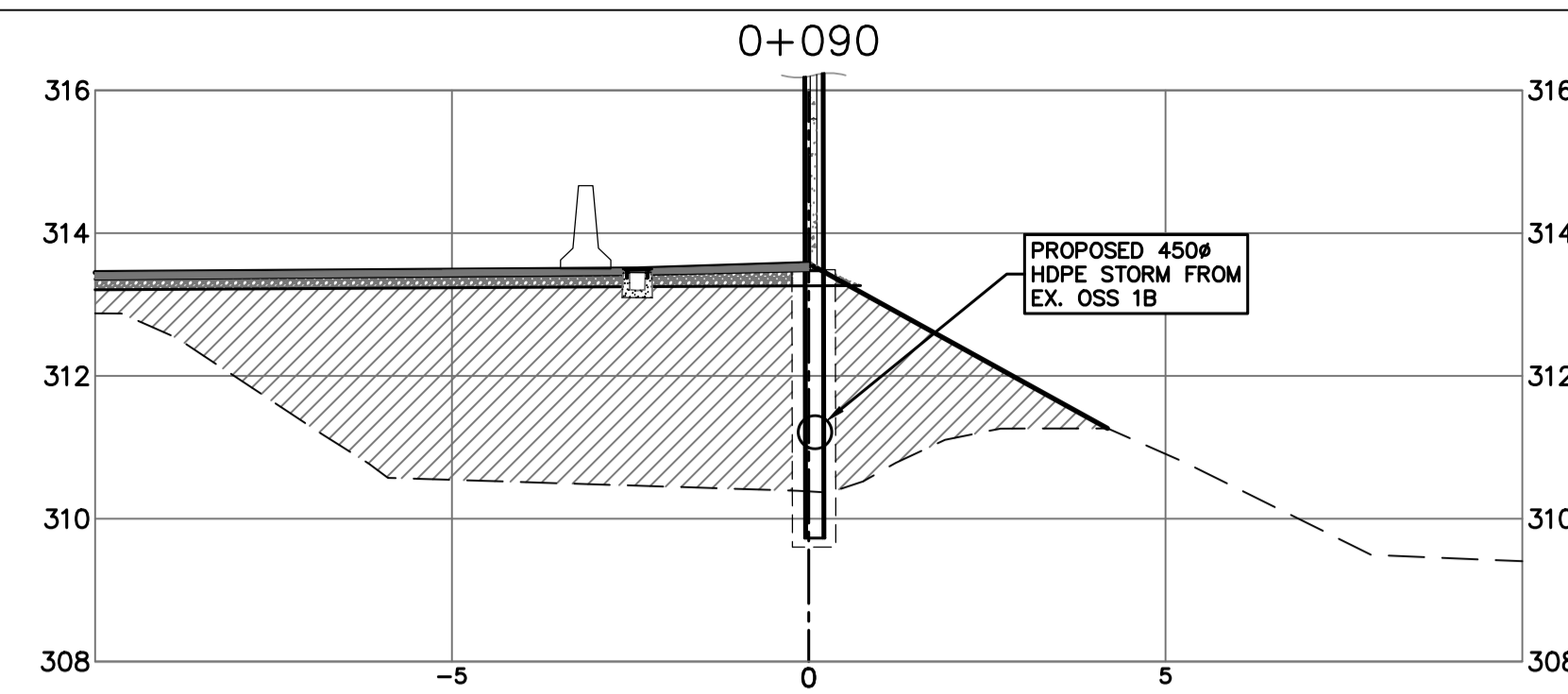
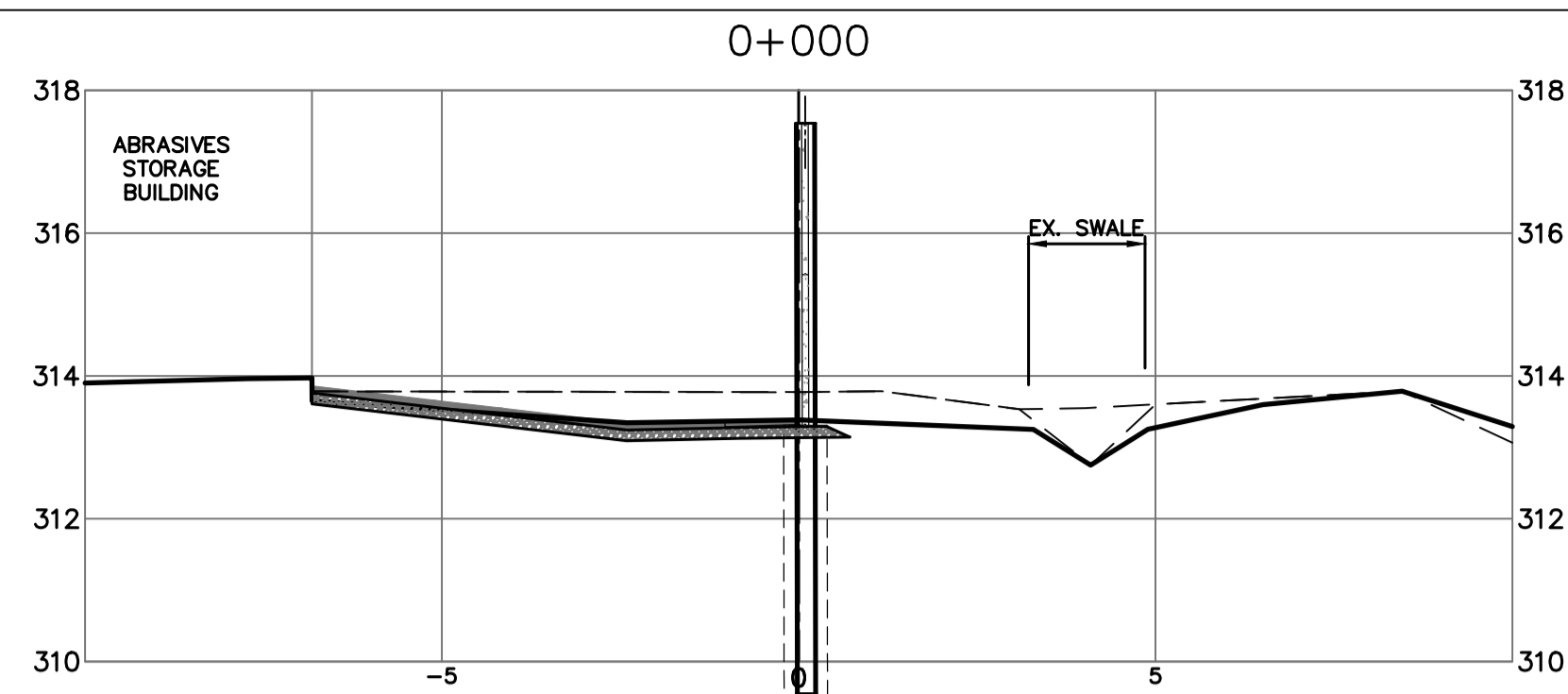
Drawing Title/Titre du dessin

UNDERGROUND DETENTION FACILITY DETAILS 2

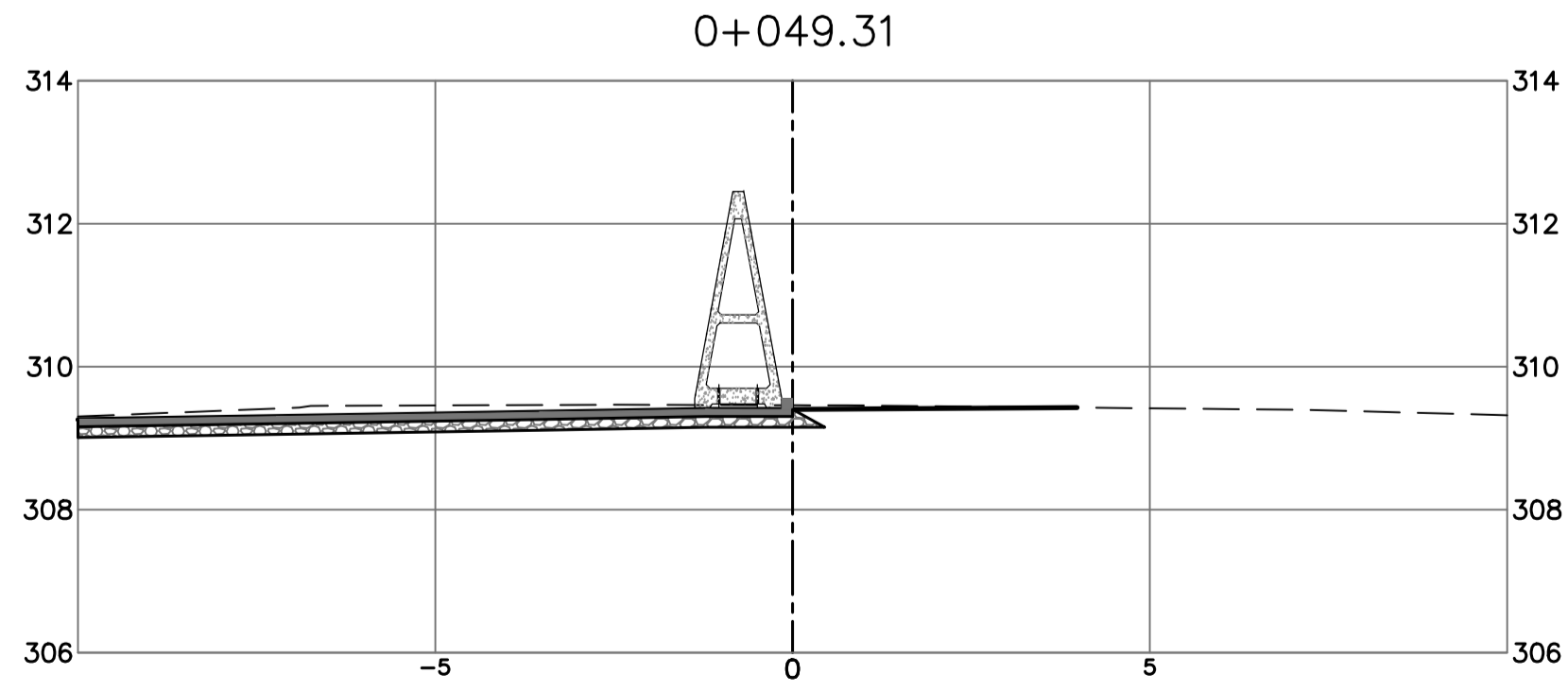
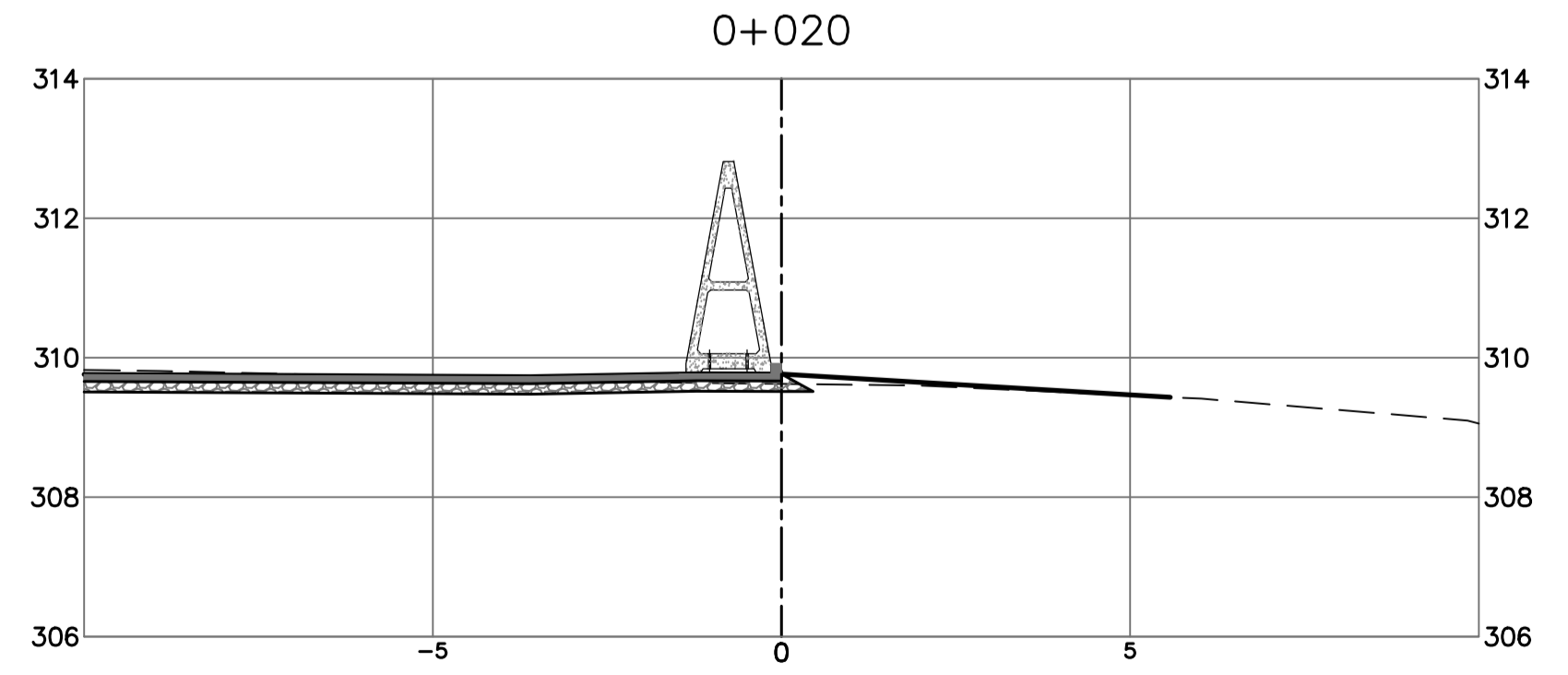
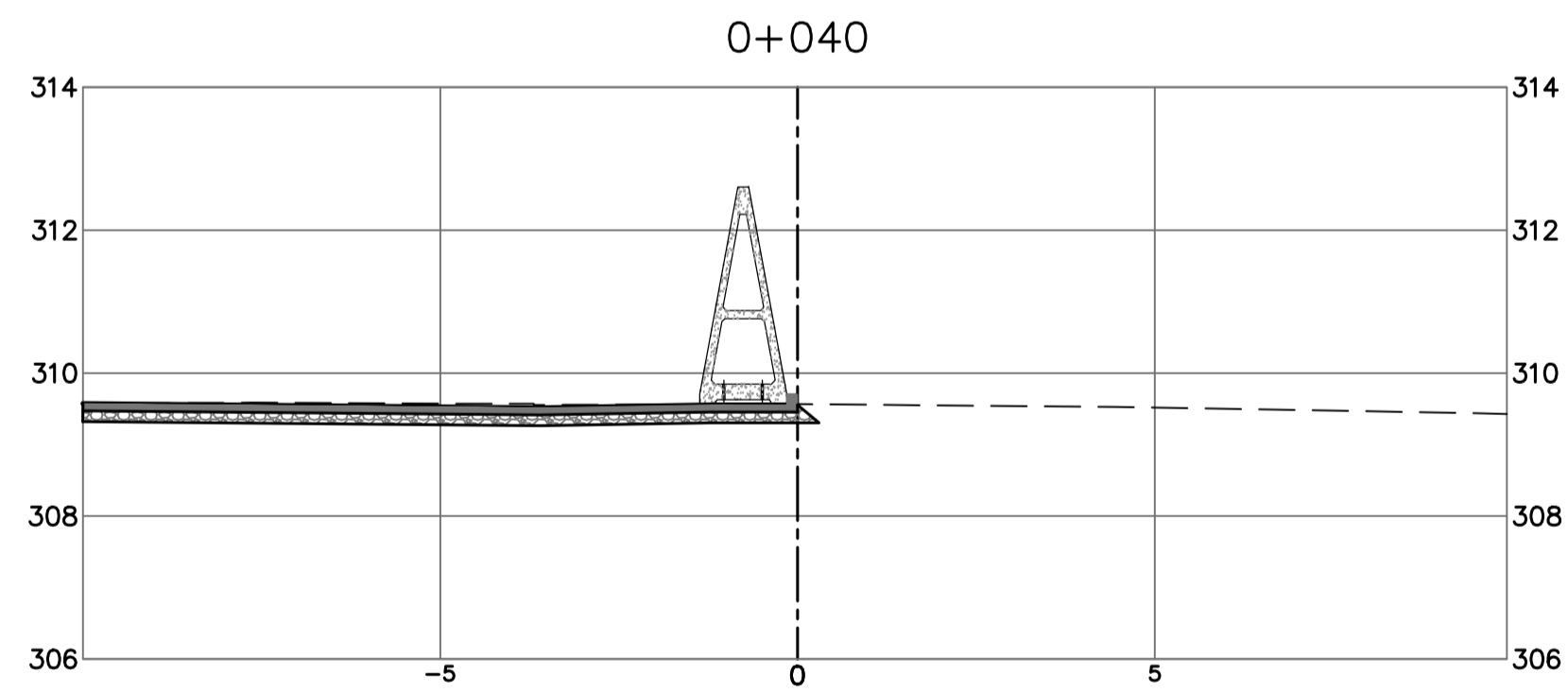
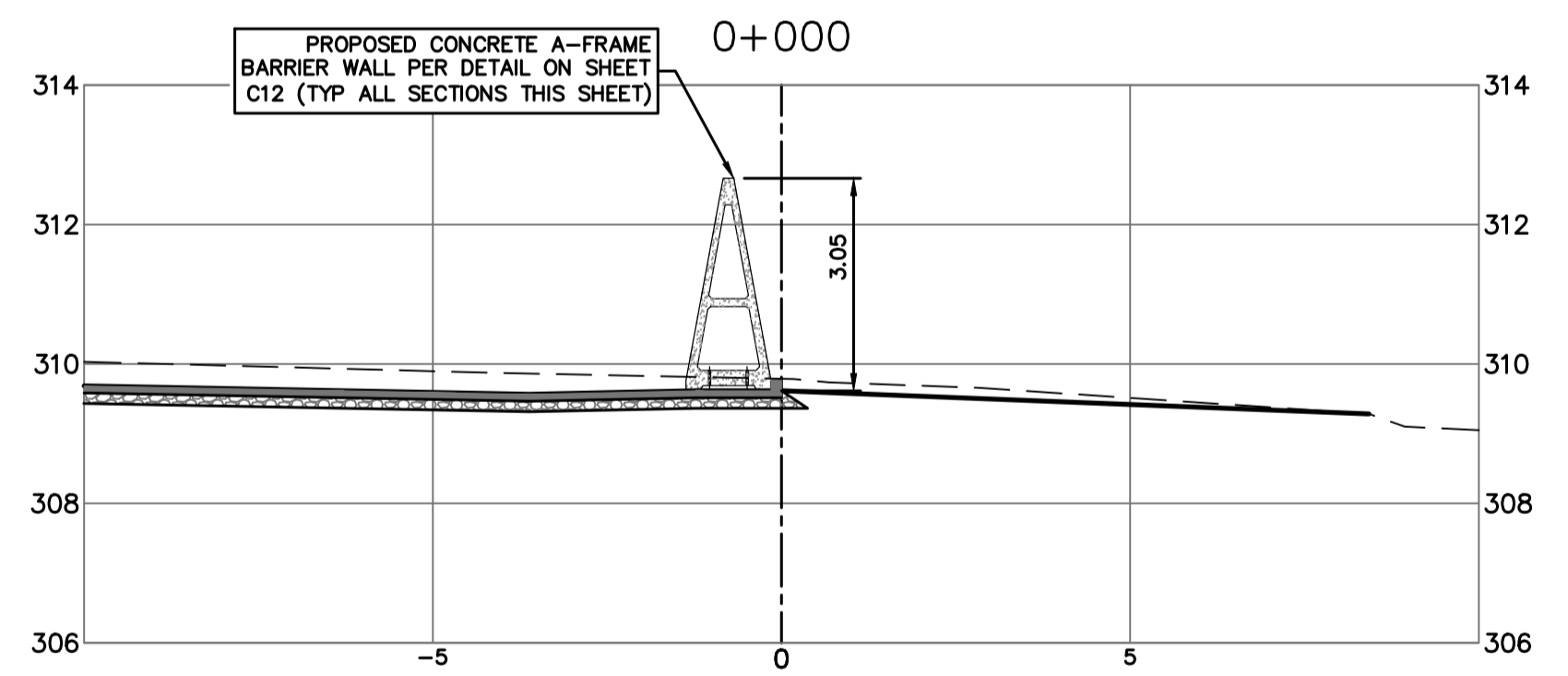
Project No./No. du projet R.076550.001	Sheet/Feuille C08	Revision no./Lo Révision no. 4
--	-----------------------------	--

N:\15\15-0218A - PWSC Standing Offer 8 - Glacier Natl Park - Stormwater Design - Current Drawings Files\15-0218C - Rogers Pass 100% Draw - 2017/13/23 02:29:35 PM - borrow 2017 - WEDLER ENGINEERING LLP - ALL RIGHTS RESERVED - THIS DOCUMENT IS PROTECTED BY COPYRIGHT LAW AND MAY NOT BE REPRODUCED IN ANY MANNER, OR FOR ANY PURPOSE, EXCEPT BY WRITTEN PERMISSION OF COPYRIGHT HOLDER.





PRECAST CONCRETE PANEL FENCE SECTIONS
(ALIGNMENT 1)
1:100



PRE-CAST CONCRETE FENCE SECTIONS
(ALIGNMENT 2)
1:100

Revision/Revision	Description/Description	Date/Date
5	ISSUED FOR TENDER	2017/03/23
4	100% COMPLETE - ISSUED FOR REVIEW	2017/03/14
3	99% COMPLETE - ISSUED FOR REVIEW	2017/02/17
2	66% COMPLETE - ISSUED FOR REVIEW	2016/12/14
1	33% COMPLETE - ISSUED FOR REVIEW	2016/08/19

PUBLIC WORKS AND GOVERNMENT SERVICES CANADA

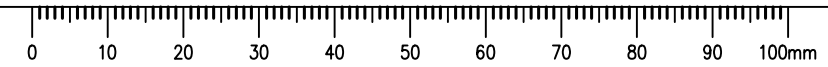
Project title/Titre du projet
PARKS CANADA - ROGERS PASS MAINTENANCE COMPOUND INFRASTRUCTURE IMPROVEMENTS PHASE 2

Consultant Signature Only
WEDLER ENGINEERING LLP
Designed by/Concept par
SBR
Drawn by/Dessiné par
DBB
PWSC Project Manager/Administrateur de Projets TPSCG
TOM DUNPHY
Regional Manager, Architectural and Engineering Services
Gestionnaire régionale, Services d'architecture et de génie, TPSCG

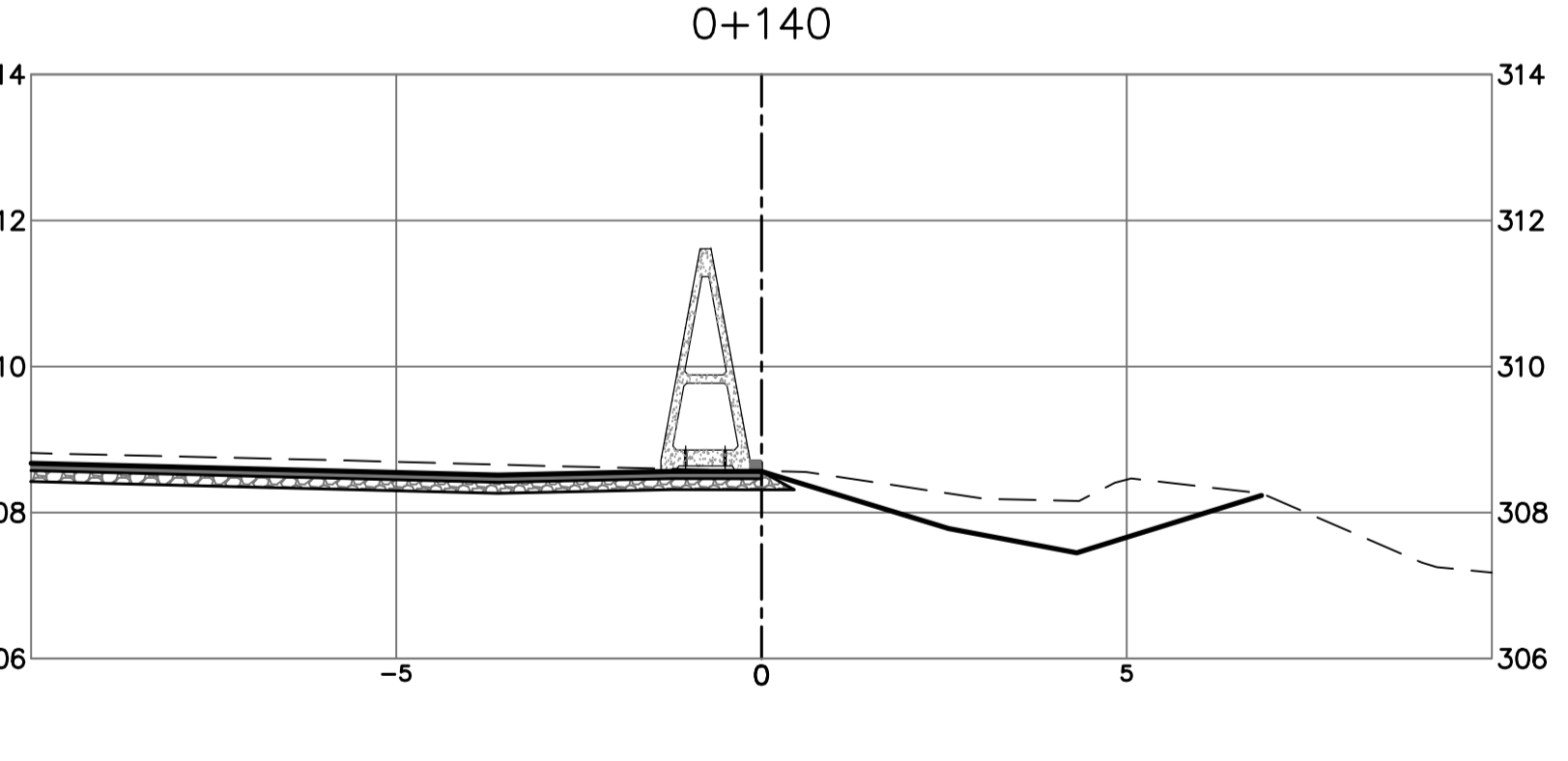
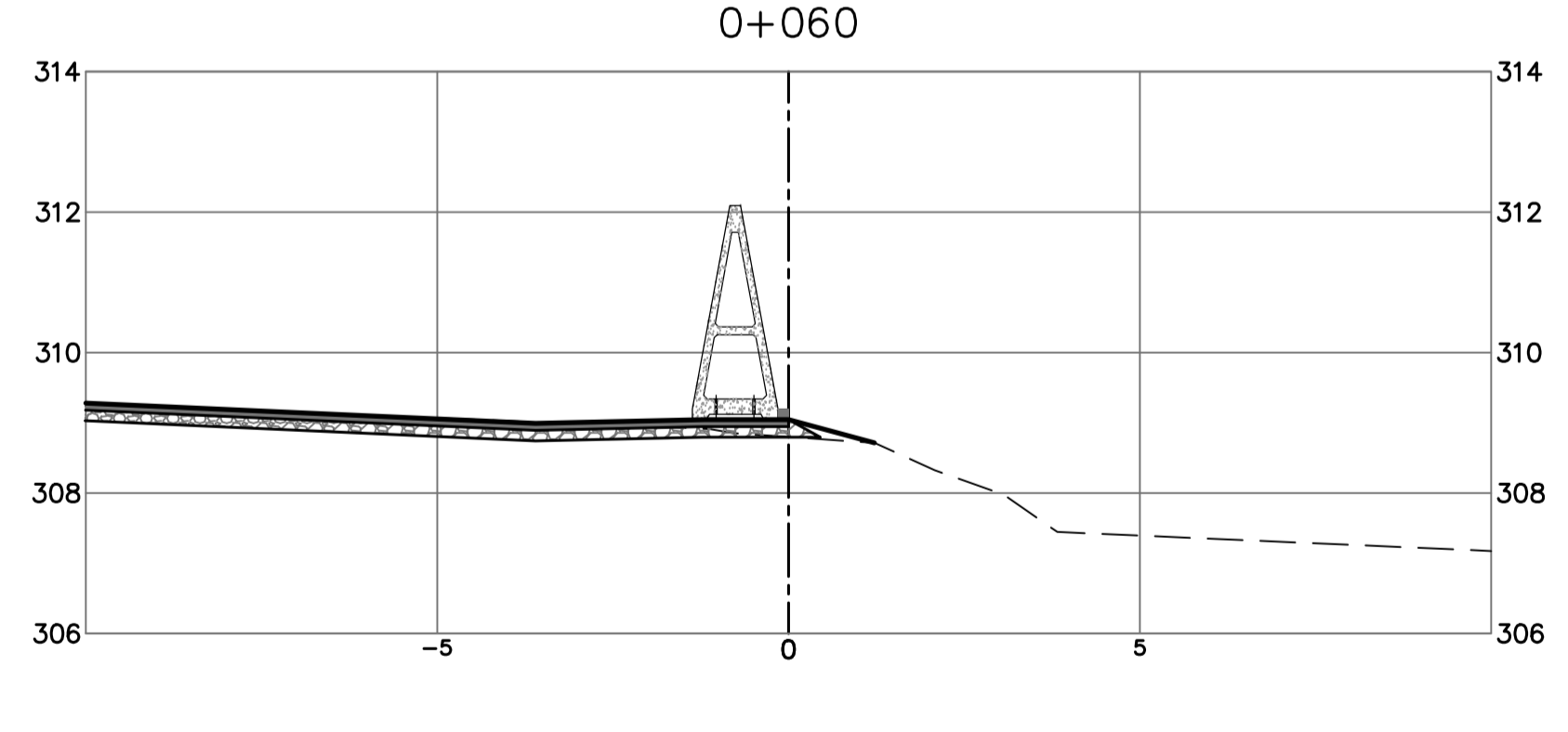
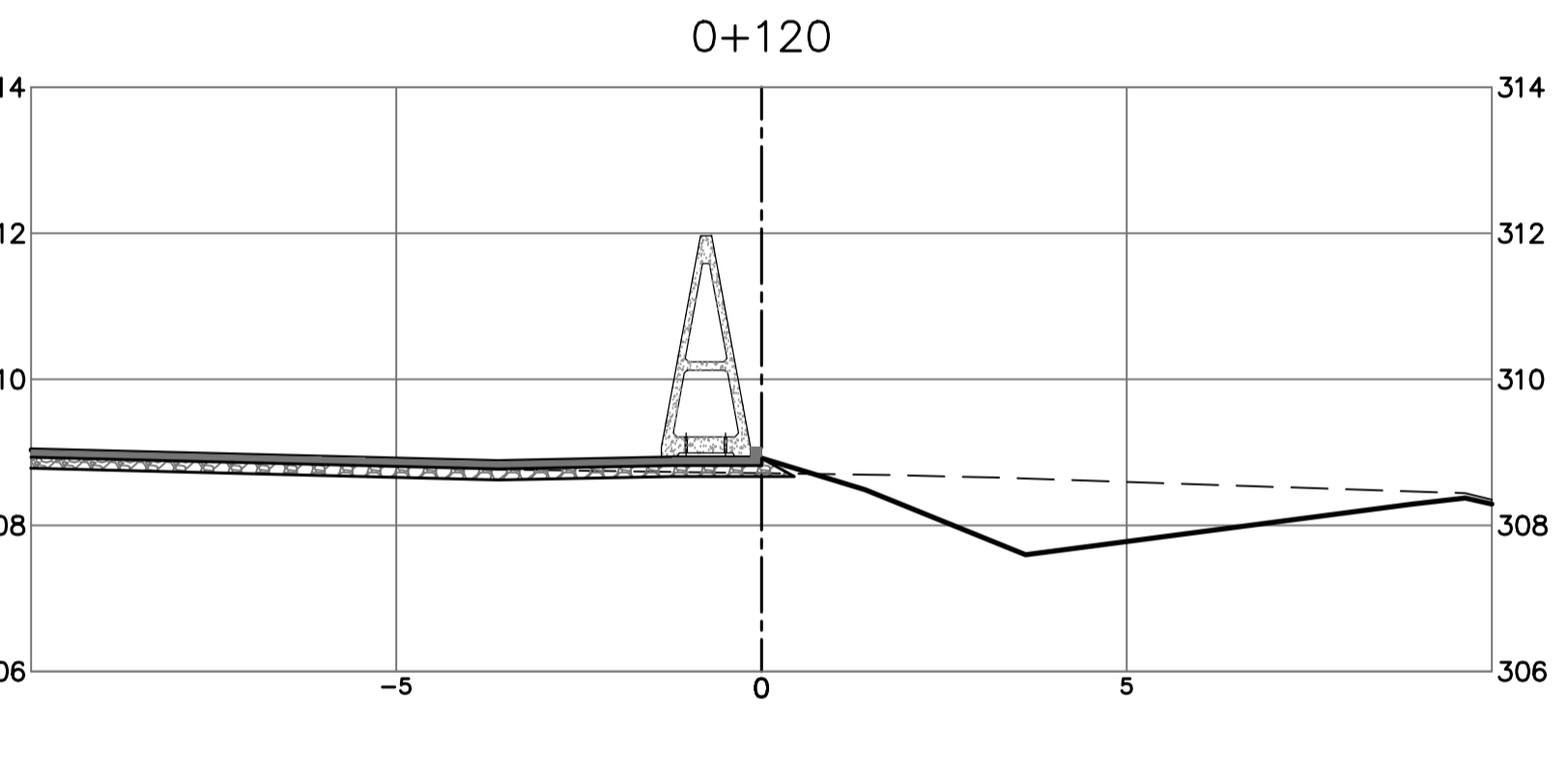
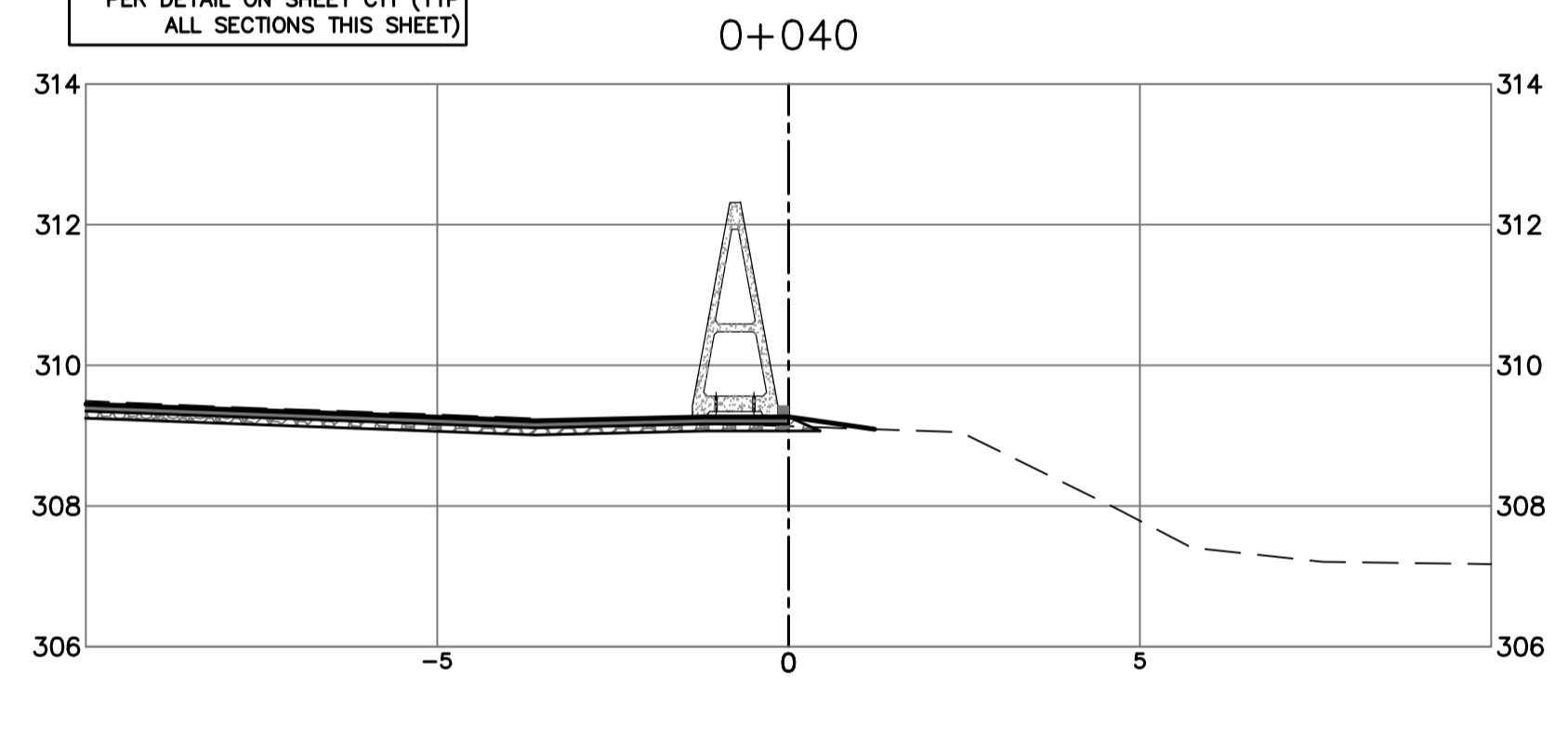
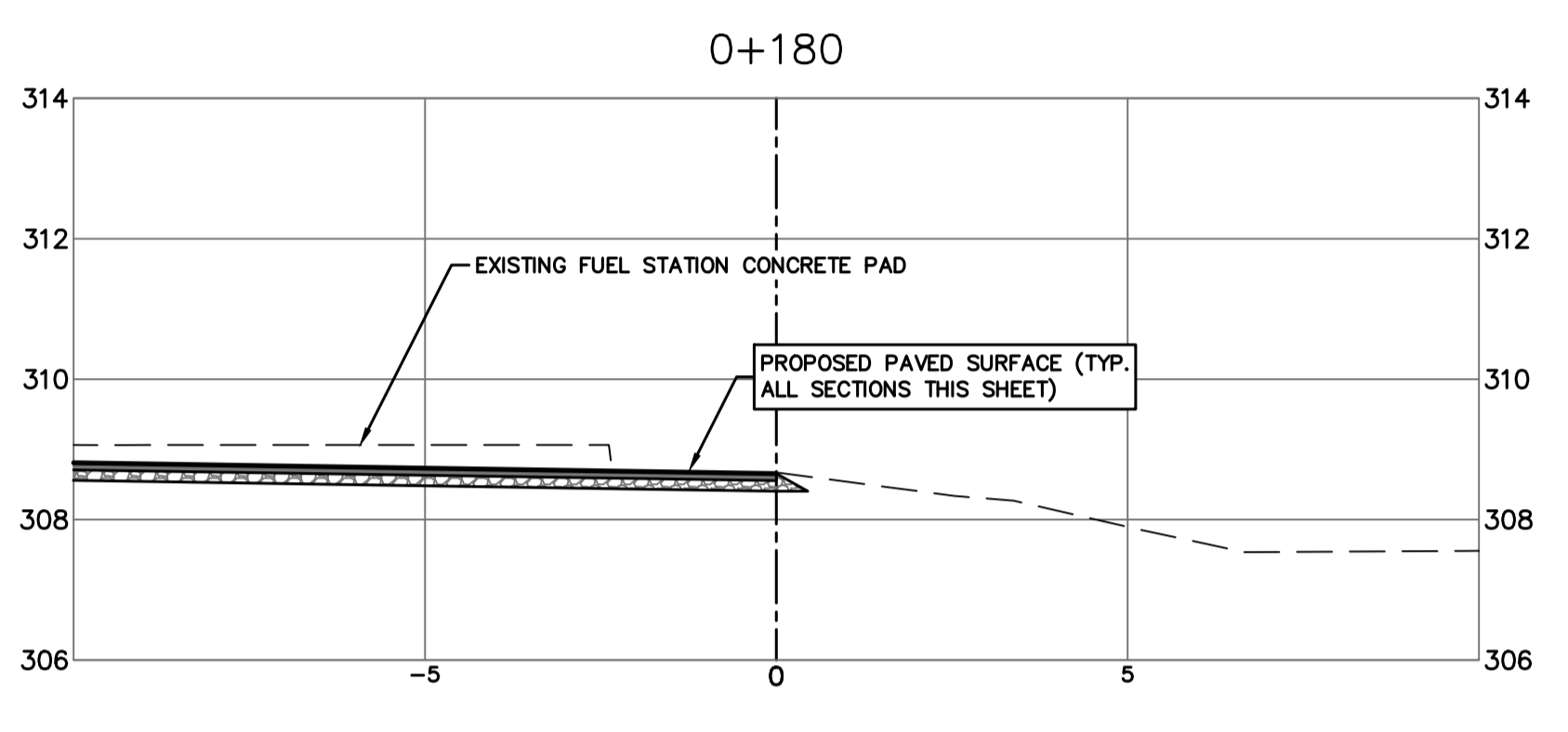
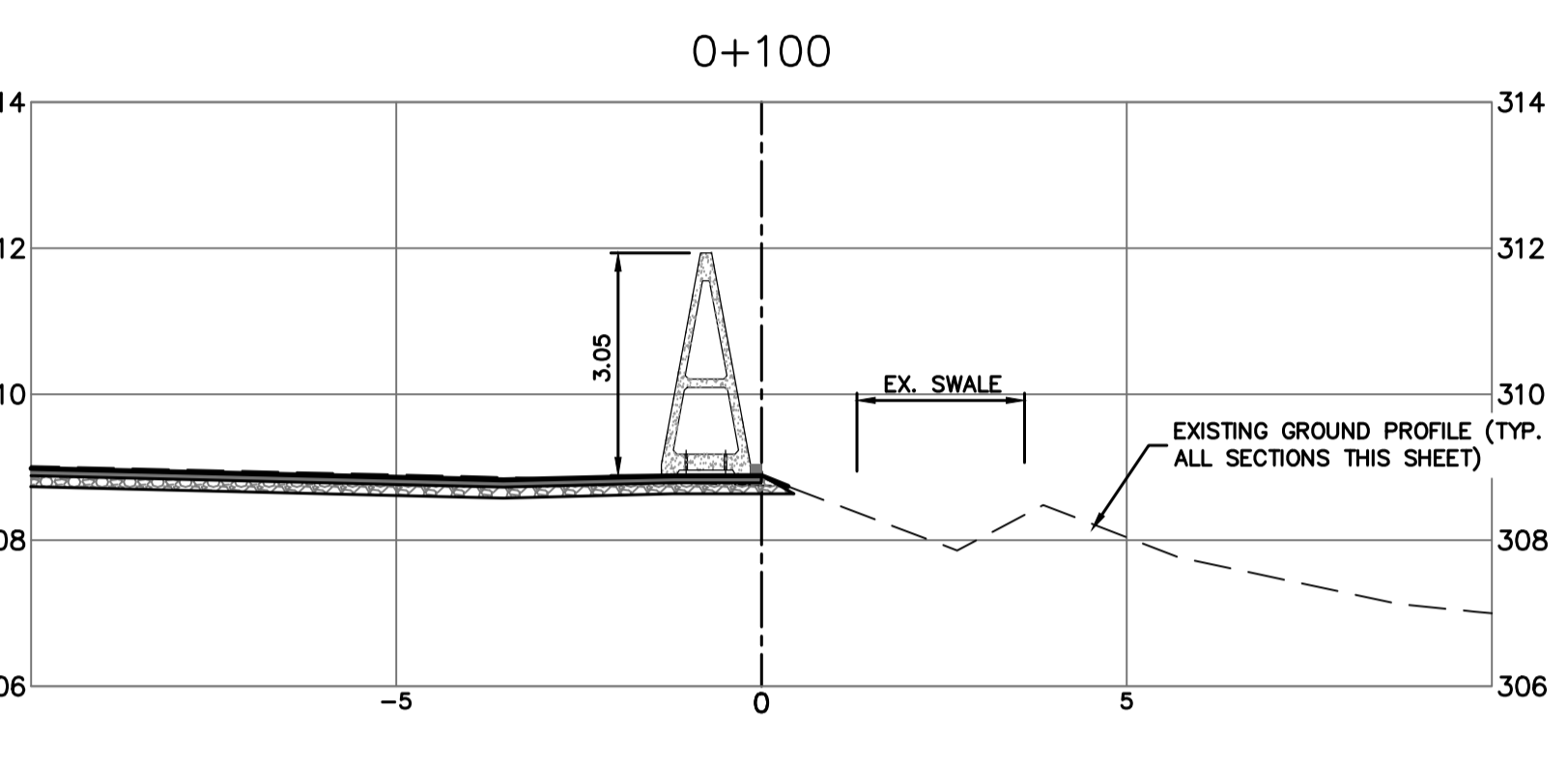
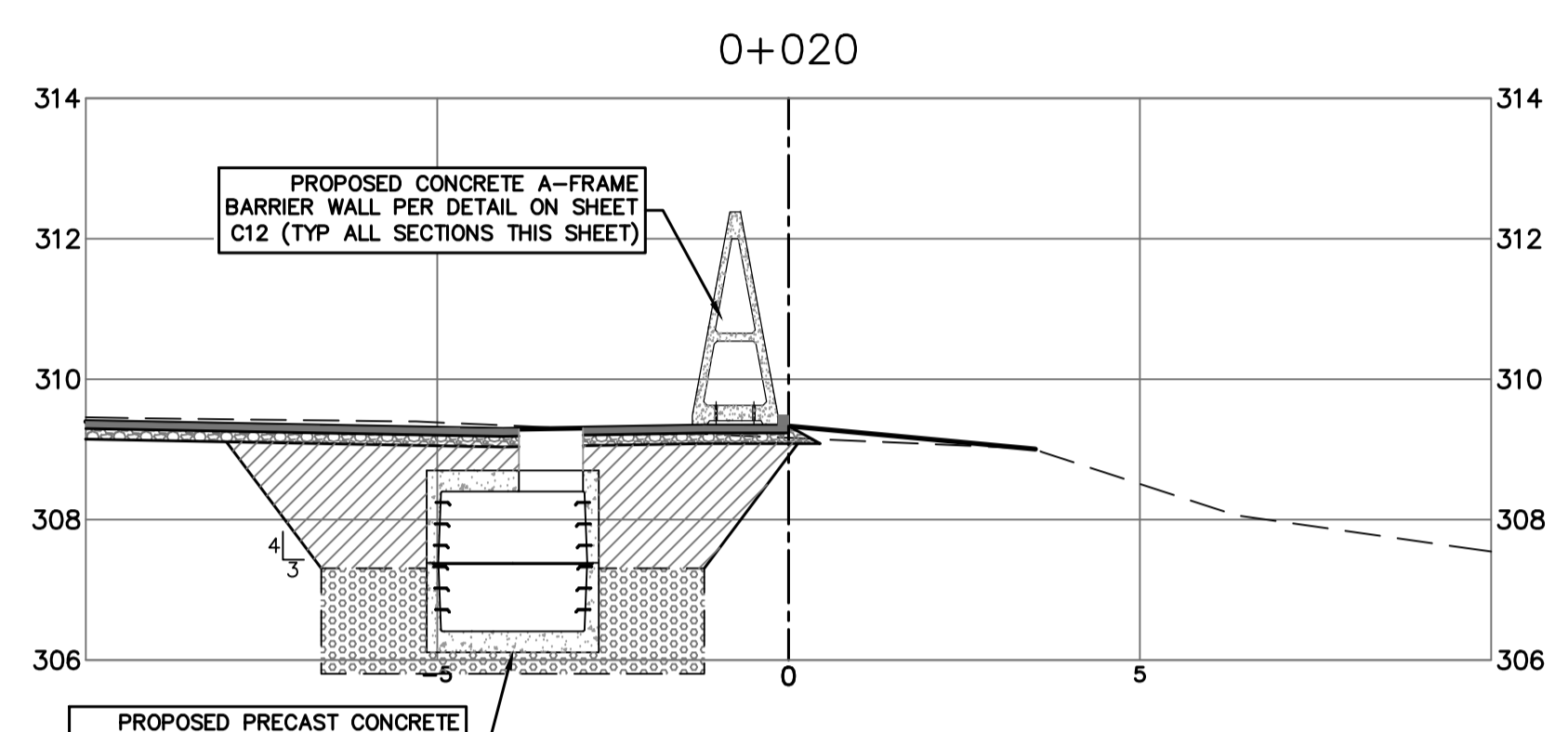
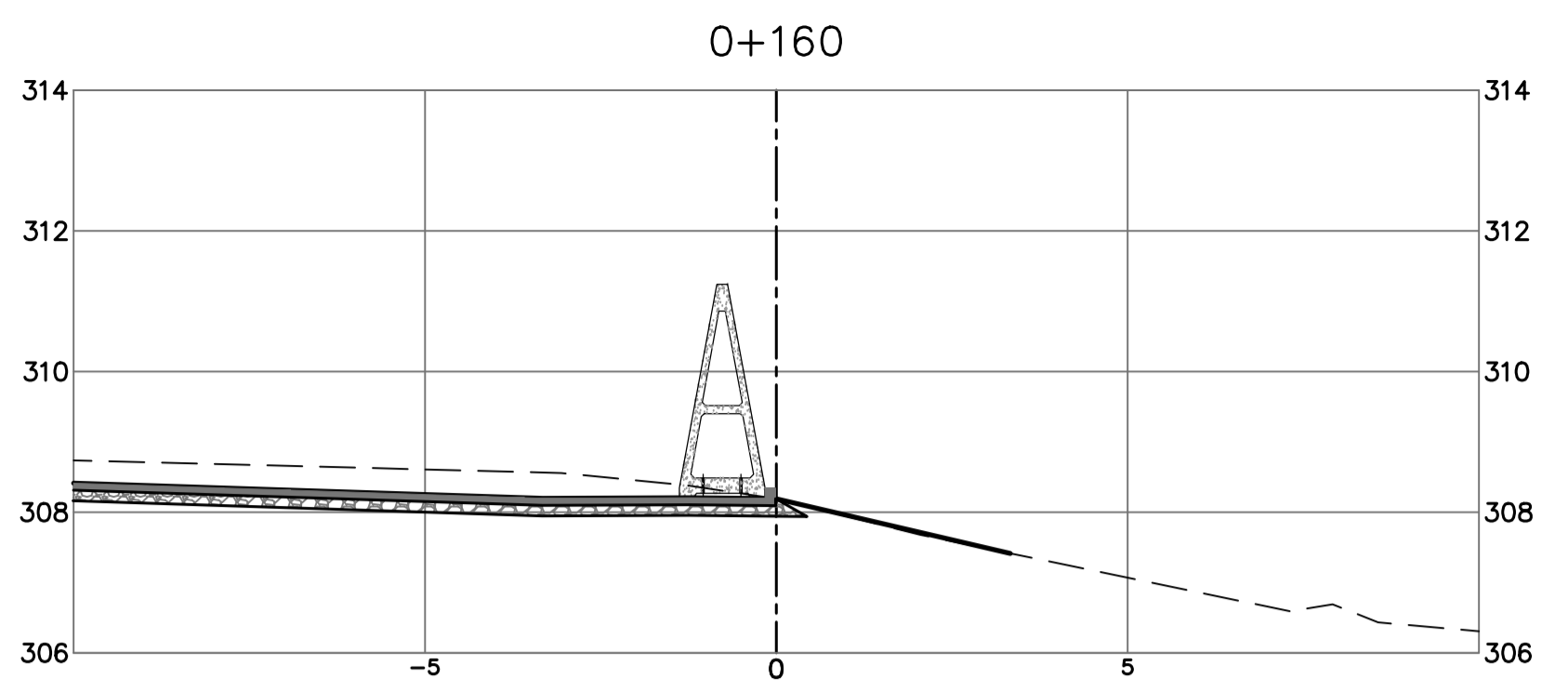
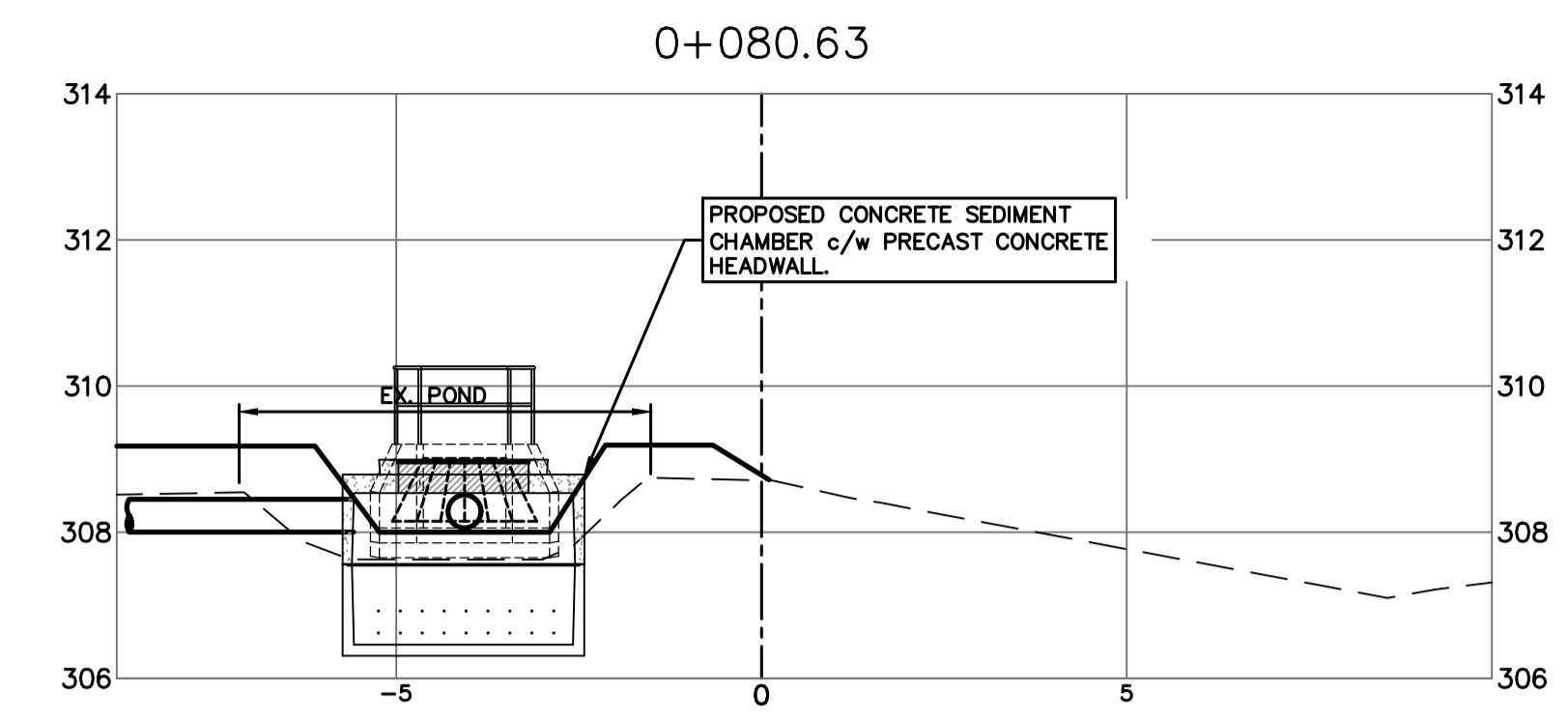
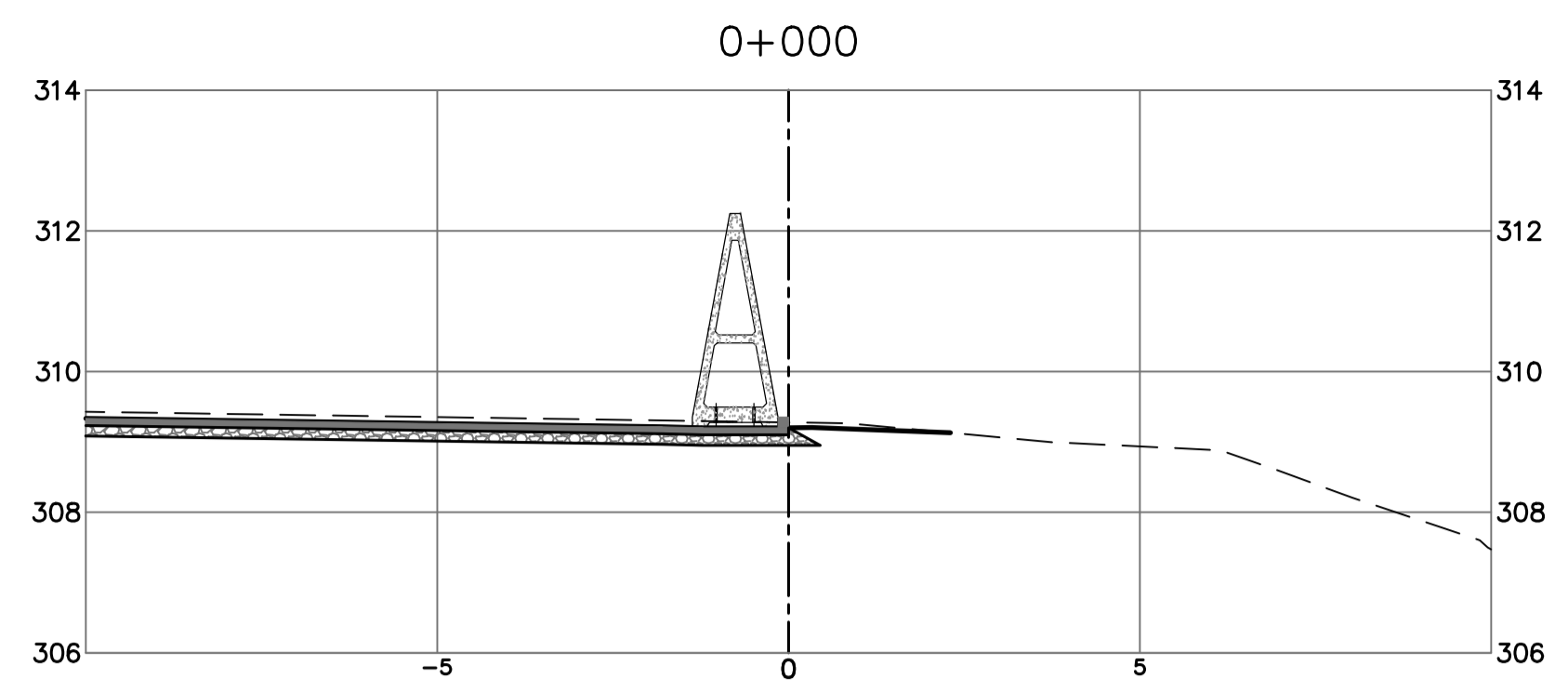
Drawing title/Titre du dessin
CONCRETE BARRIER WALL SECTIONS 1

Project No./No. du projet R.076550.001	Sheet/Feuille C09	Revision no./Lo Révision no. 4
--	-----------------------------	--

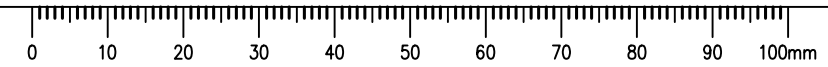
N:\15\15-0218A - PWSC Standing Offer 8 - Glacier Hill Park - Stormwater Design\Current Drawings\15-0218C - Roger's Pass\100% dwg - 2017/13/23 - 02:29:42 PM - borrow 2017 - WEDLER ENGINEERING LP - ALL RIGHTS RESERVED - THIS DOCUMENT IS PROTECTED BY COPYRIGHT LAW AND MAY NOT BE REPRODUCED IN ANY MANNER, OR FOR ANY PURPOSE, EXCEPT BY WRITTEN PERMISSION OF COPYRIGHT HOLDER.



N:\15\15-0218A - PWSC Standing Offer 8 - Glacier Natl Park - Stormwater Design\ - Current Drawings Files\15-0218C - Rogers Pass 100% dwg_2017/13/23_02:29:49 PM_borrow
 2017 - WEDLER ENGINEERING LP - ALL RIGHTS RESERVED - THIS DOCUMENT IS PROTECTED BY COPYRIGHT LAW AND MAY NOT BE REPRODUCED IN ANY MANNER, OR FOR ANY PURPOSE, EXCEPT BY WRITTEN PERMISSION OF COPYRIGHT HOLDER.



REINFORCED CONCRETE RETAINING WALL SECTIONS
(ALIGNMENT 3)
 1:100



Revision/Revision	Description/Description	Date/Date
5	ISSUED FOR TENDER	2017/03/23
4	100% COMPLETE - ISSUED FOR REVIEW	2017/03/14
3	99% COMPLETE - ISSUED FOR REVIEW	2017/02/17
2	66% COMPLETE - ISSUED FOR REVIEW	2016/12/14
1	33% COMPLETE - ISSUED FOR REVIEW	2016/08/19

Client/client
PUBLIC WORKS AND GOVERNMENT SERVICES CANADA

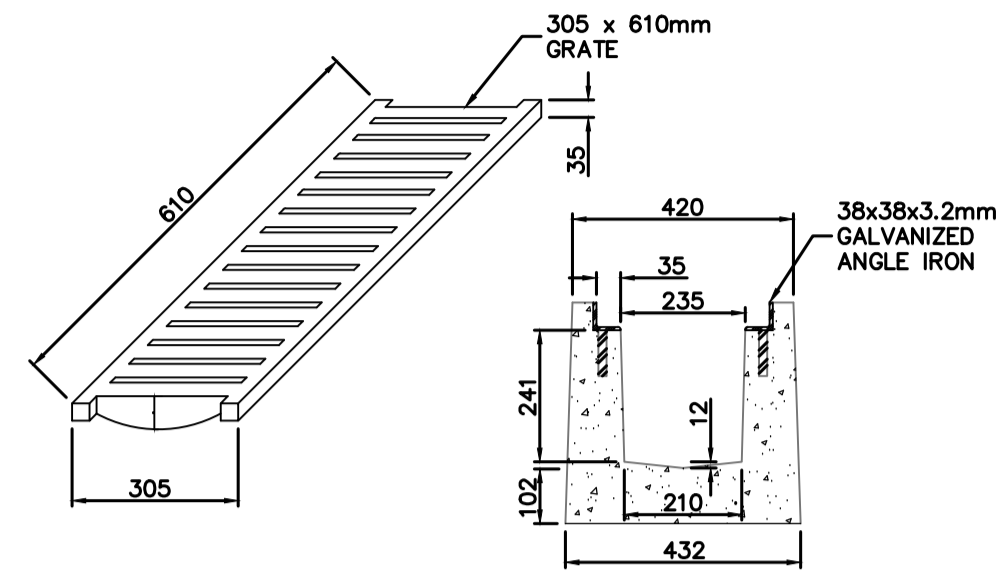
Project title/Titre du projet
PARKS CANADA - ROGERS PASS MAINTENANCE COMPOUND INFRASTRUCTURE IMPROVEMENTS PHASE 2

Consultant Signature Only
WEDLER ENGINEERING LLP
 Designed by/Concept par
SBR
 Drawn by/Dessiné par
DBB
 PWSC Project Manager/Administrateur de Projets TPSCG
TOM DUNPHY
 Regional Manager, Architectural and Engineering Services
 Gestionnaire régionale, Services d'architecture et de génie, TPSCG

Drawing title/Titre du dessin
CONCRETE BARRIER WALL SECTIONS 2

Project No./No. du projet R.076550.001	Sheet/Feuille C10	Revision no./Lo Révision no. 4
--	-----------------------------	--

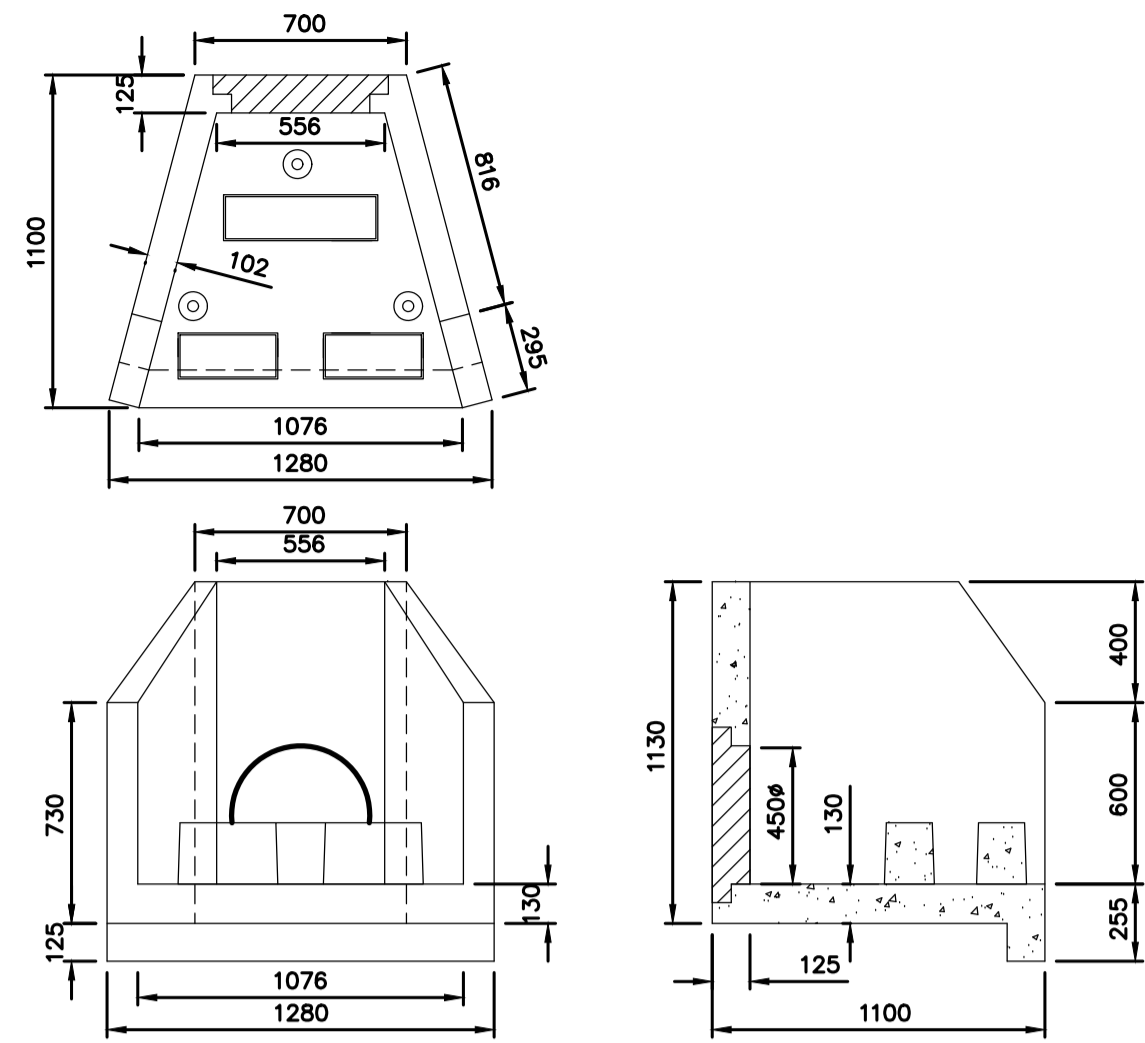




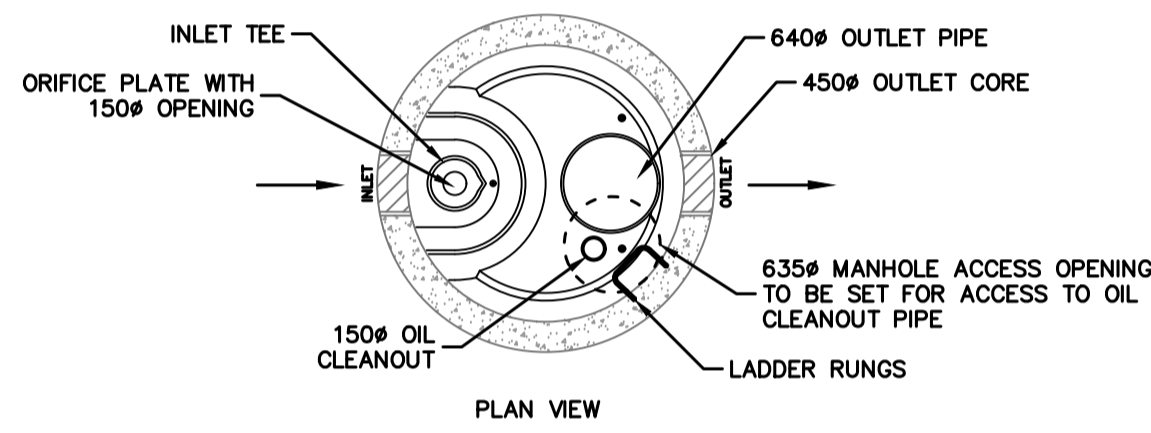
DRAIN TROUGH NOTES:

1. TROUGH AND GRATE RATED TO MEET HS-20 LIVE LOADS
2. APPROX. WEIGHT: 750 kg
3. MIN. CONCRETE STRENGTH: 35 MPa.

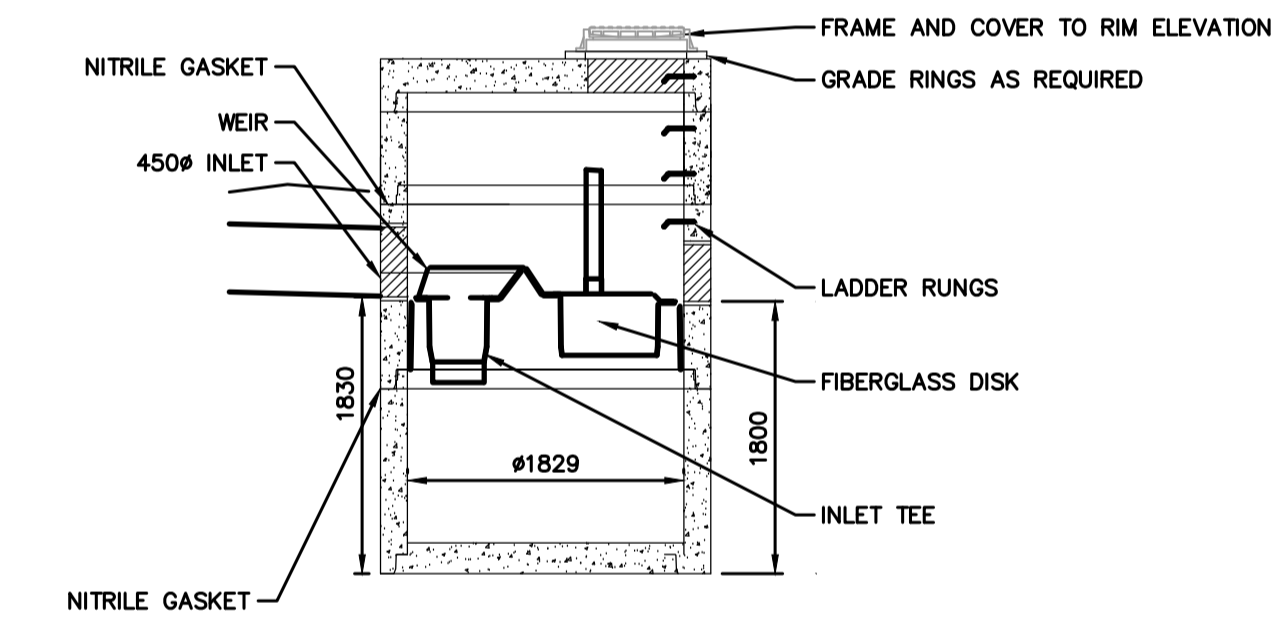
COMMERCIAL DRAIN TROUGH w/ GRATE DETAIL
1:10



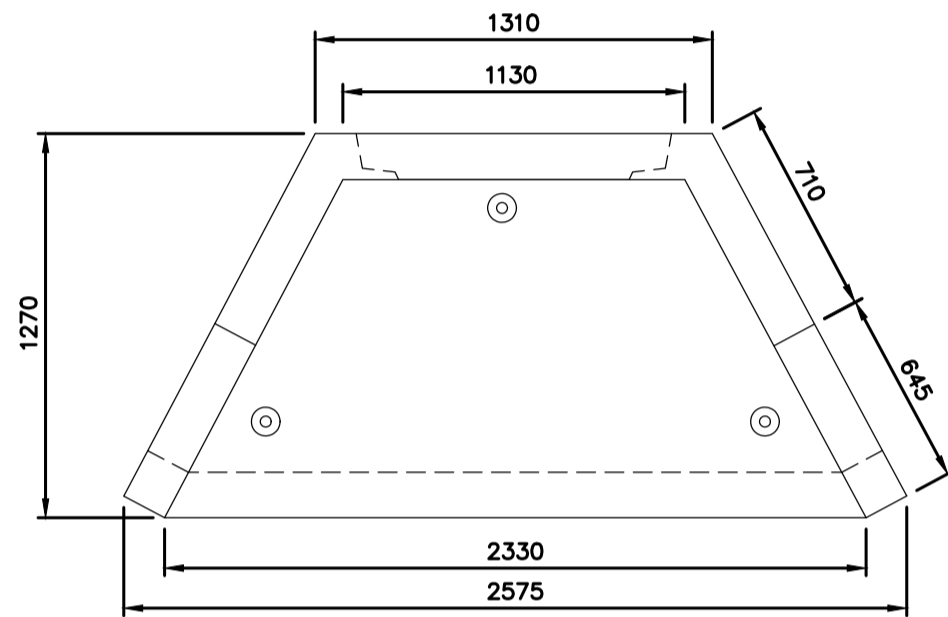
TYPICAL CONCRETE HEADWALL OUTLET DETAIL
1:25



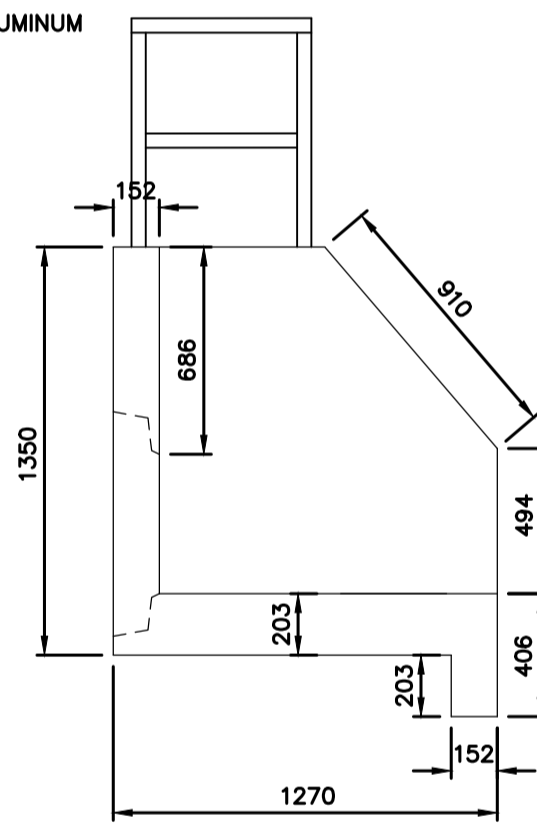
PLAN VIEW



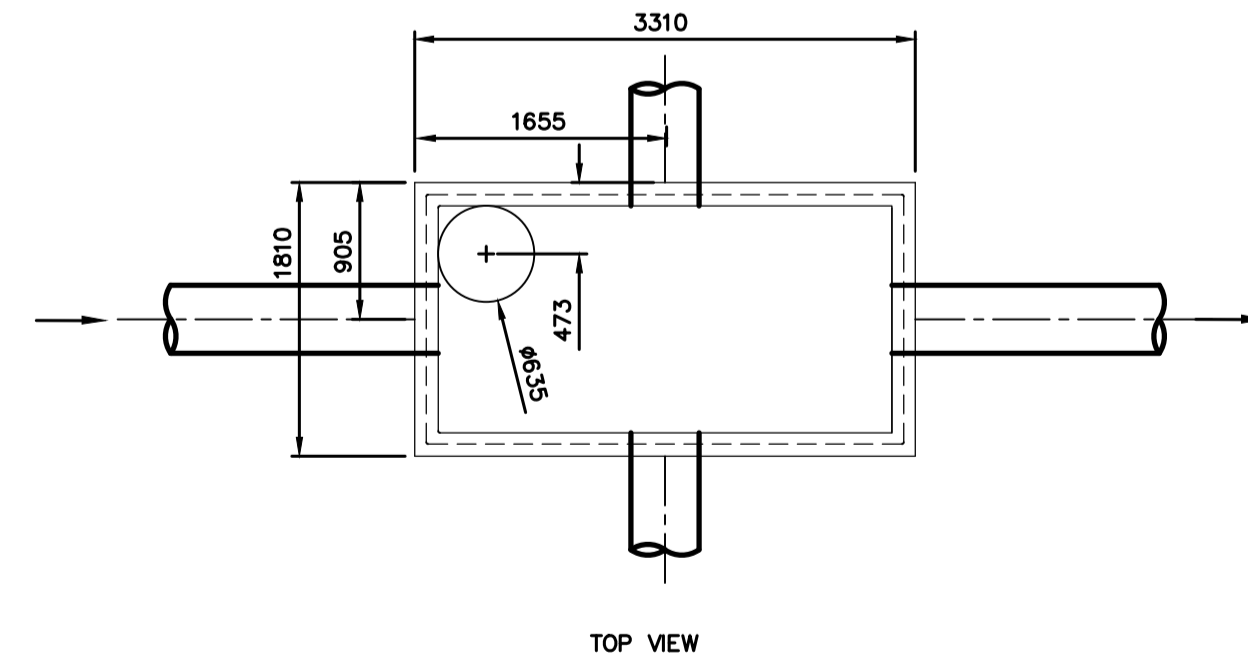
TYPICAL OIL/SILT SEPARATOR DETAIL
1:25



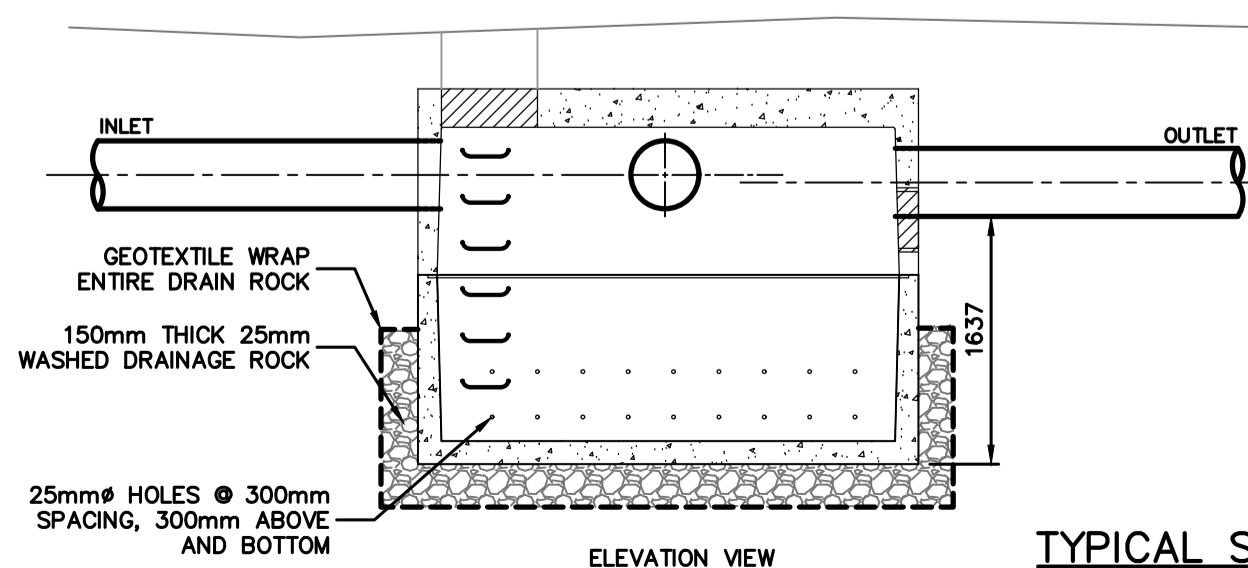
TYPICAL CONCRETE HEADWALL INLET DETAIL
1:25



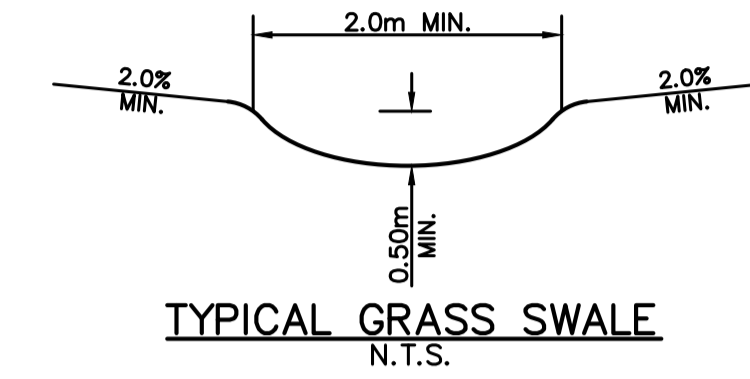
TOP VIEW



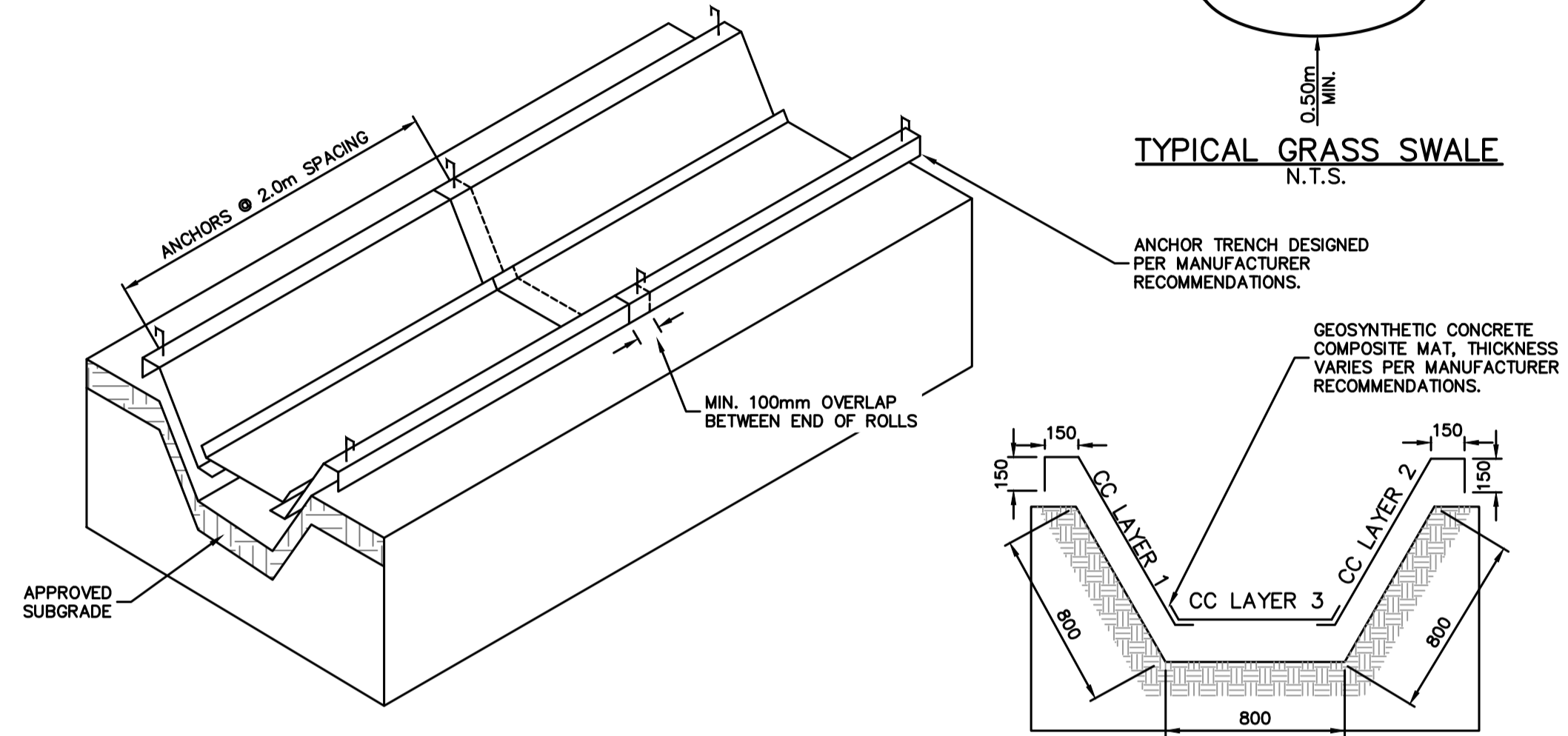
ELEVATION VIEW



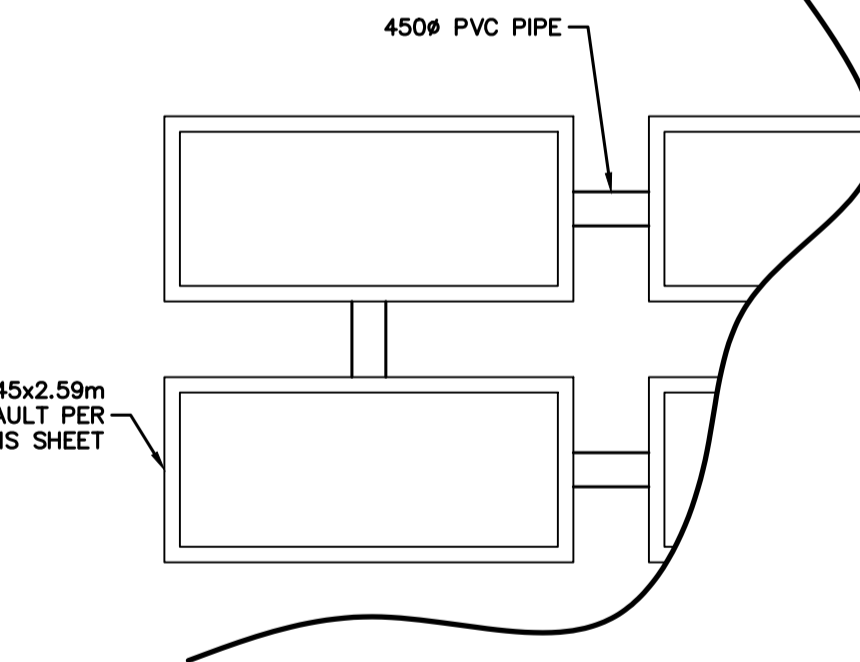
TYPICAL SEDIMENT CHAMBER DETAIL
1:100



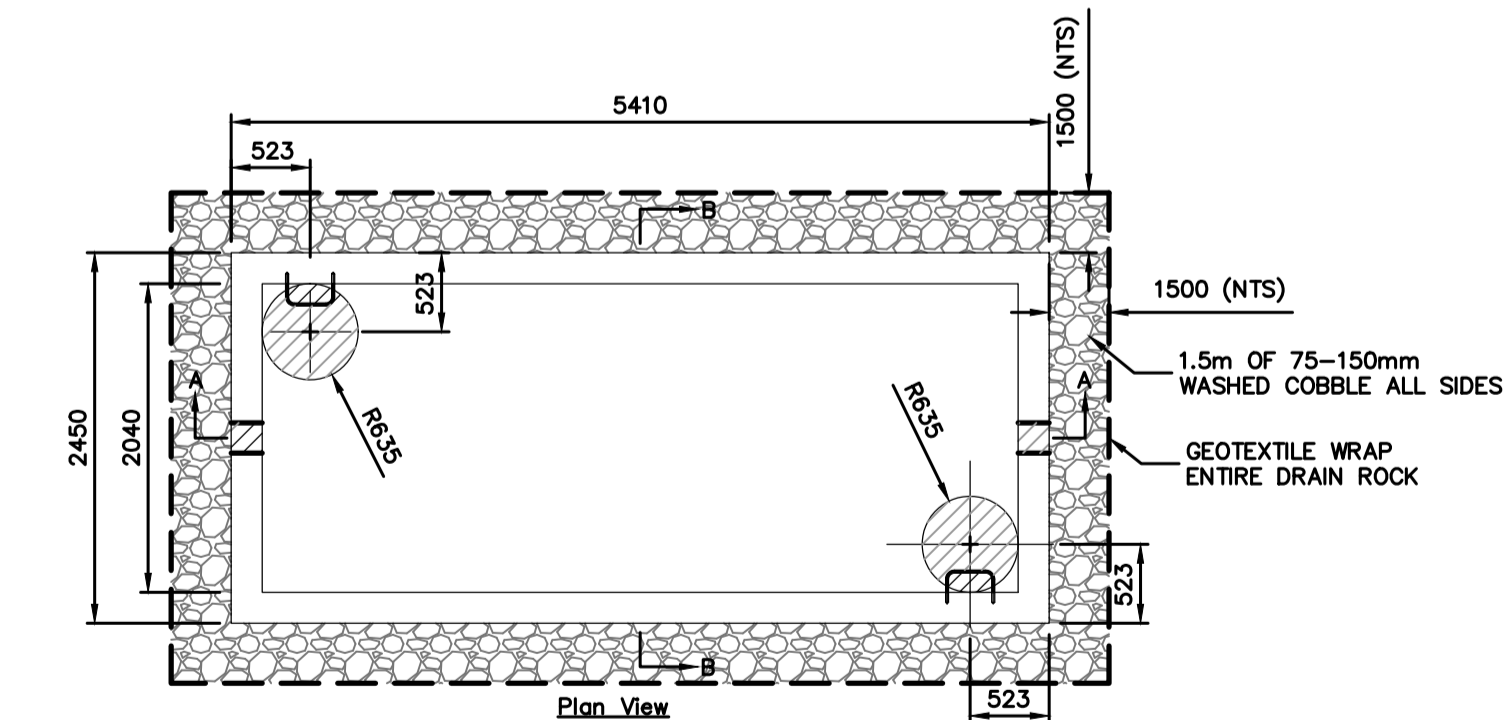
TYPICAL GRASS SWALE
N.T.S.



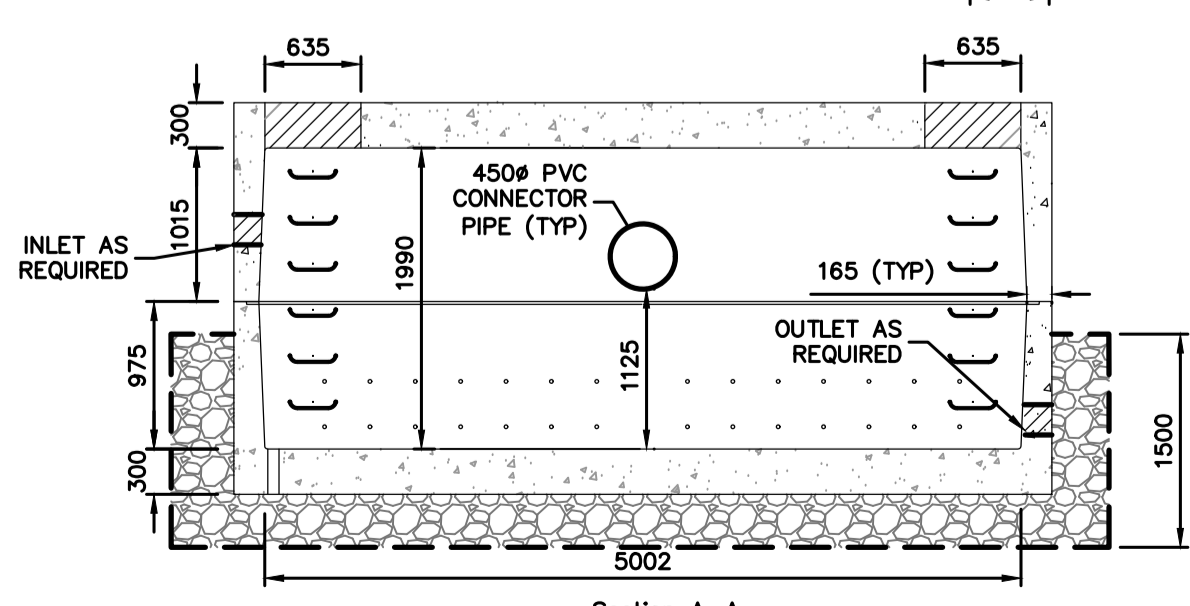
TYPICAL CONCRETE CLOTH LINED SWALE
N.T.S.



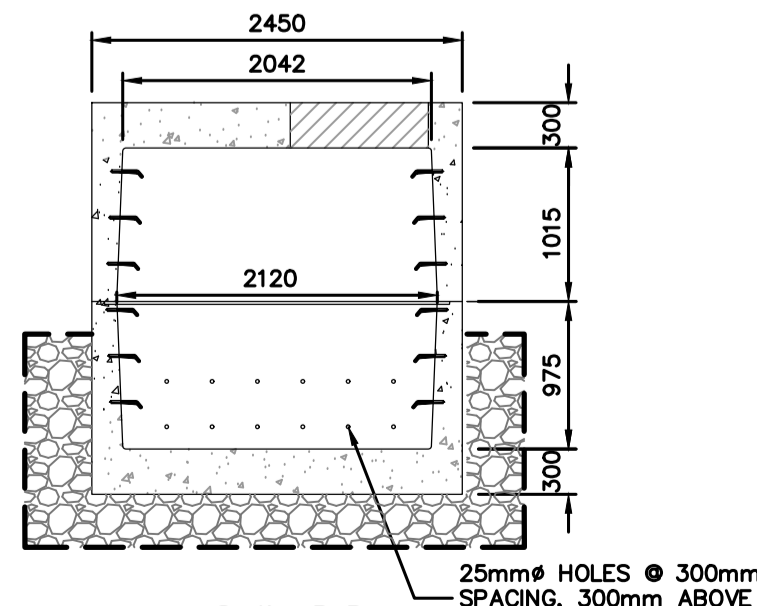
TYPICAL UNDERGROUND STORAGE CHAMBER GRID DETAIL
1:100



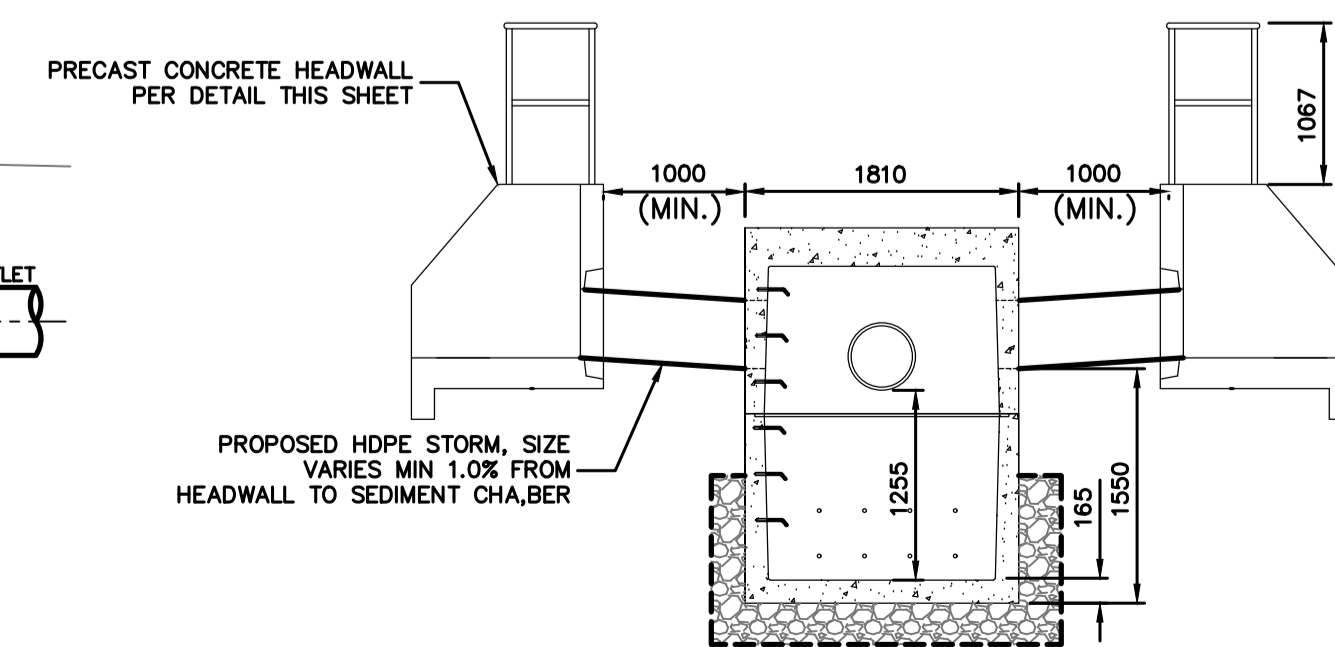
Plan View



TYPICAL DETENTION VAULT DETAIL
1:50



Section B-B



TYPICAL SEDIMENT CHAMBER DETAIL
1:100

Revision/Revision	Description/Description	Date/Date
5	ISSUED FOR TENDER	2017/03/23
4	100% COMPLETE - ISSUED FOR REVIEW	2017/03/14
3	99% COMPLETE - ISSUED FOR REVIEW	2017/02/17
2	66% COMPLETE - ISSUED FOR REVIEW	2016/12/14
1	33% COMPLETE - ISSUED FOR REVIEW	2016/08/19

PUBLIC WORKS AND GOVERNMENT SERVICES CANADA

Project title/Titre du projet
PARKS CANADA - ROGERS PASS MAINTENANCE COMPOUND INFRASTRUCTURE IMPROVEMENTS PHASE 2

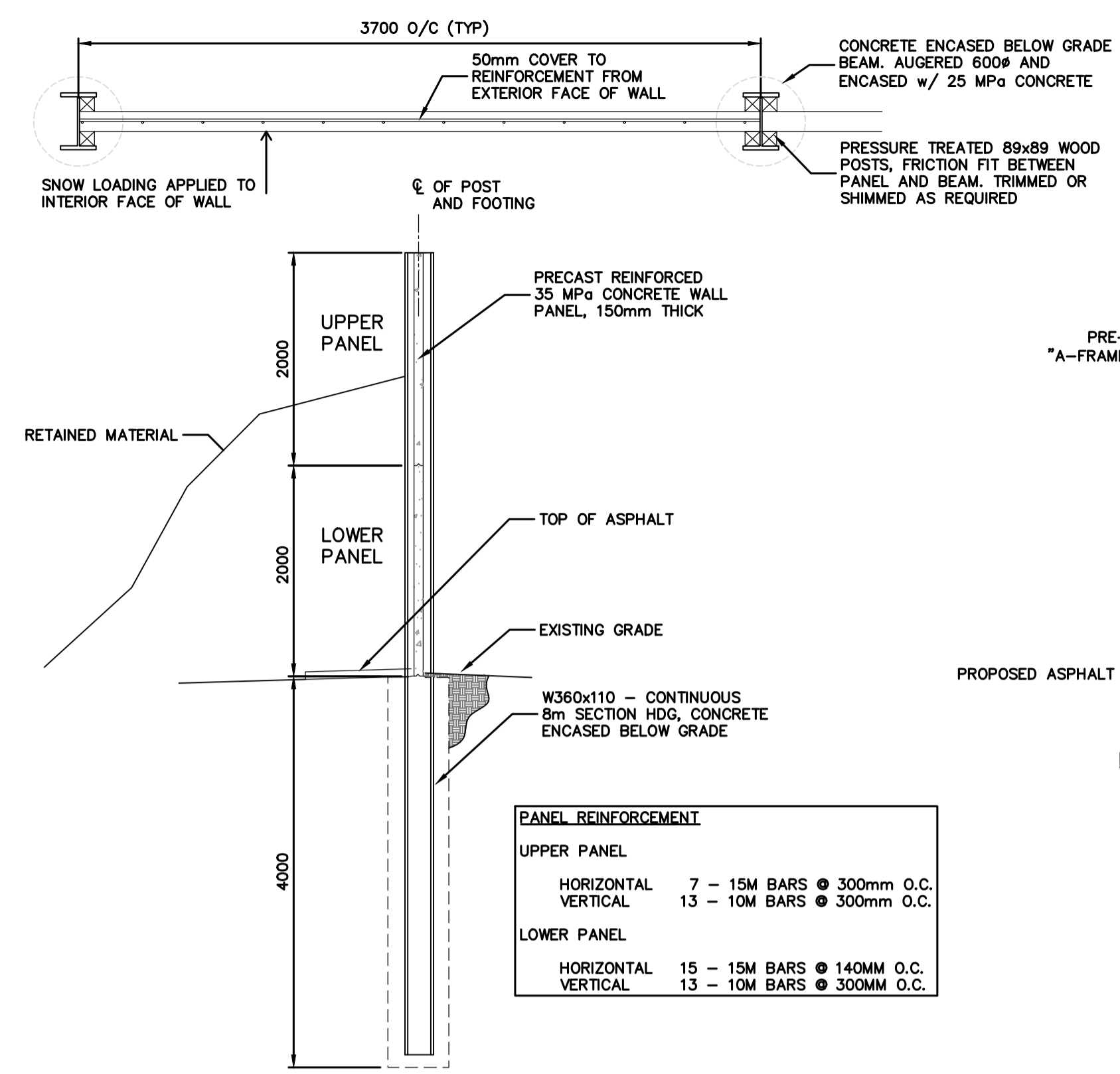
Consultant Signature Only
WEDLER ENGINEERING LLP
Designed by/Concept par
SBR
Drawn by/Dessiné par
DBB
PWSC Project Manager/Administrateur de Projets TPSC
TOM DUNPHY

Regional Manager, Architectural and Engineering Services
Gestionnaire régionale, Services d'architecture et de génie, TPSC

Drawing title/Titre du dessin

STORMWATER DETENTION TYPICAL DETAILS

Project No./No. du projet
R.076550.001
Sheet/Feuille
C11
Revision no./Lo Révision no.
4

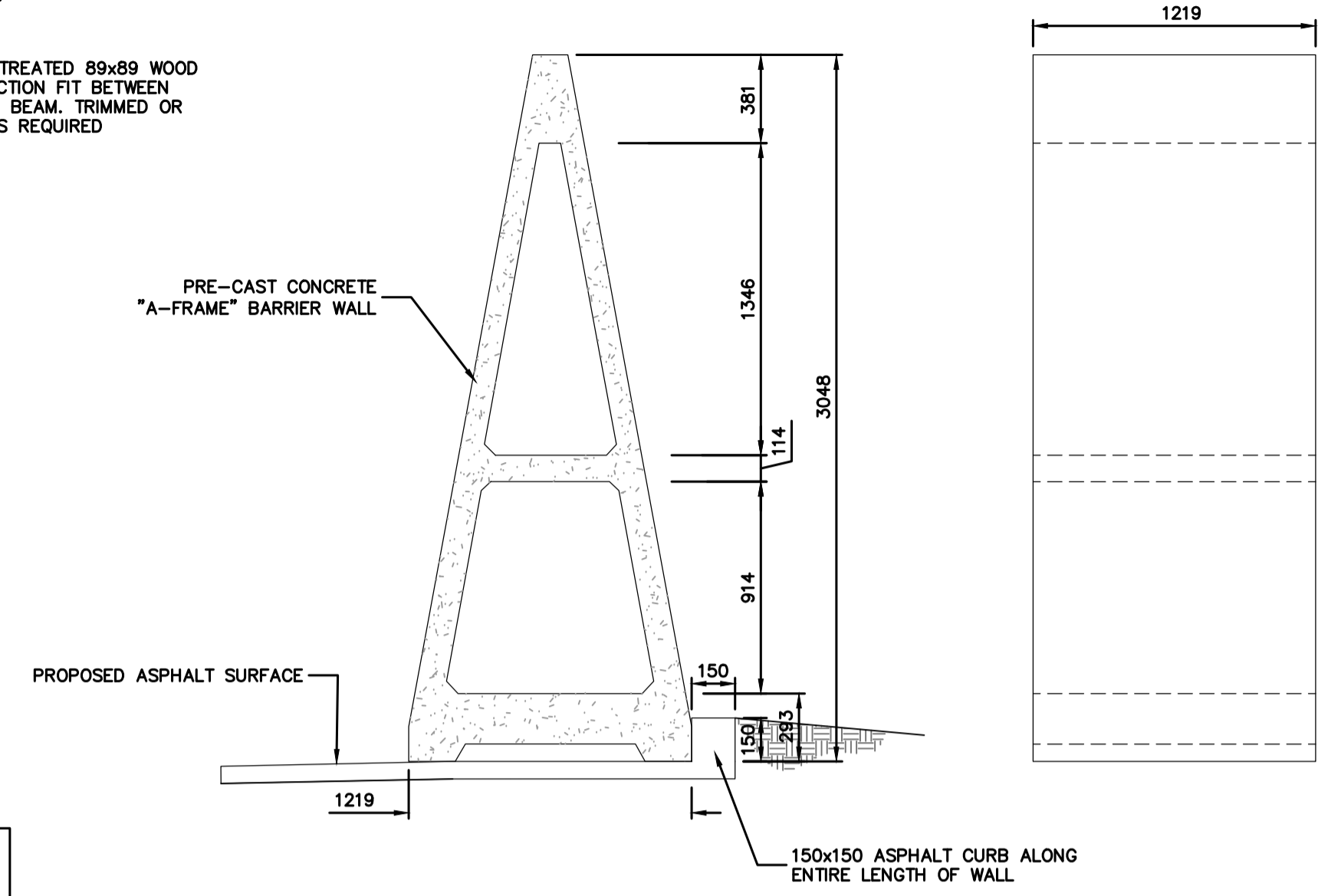


PANEL REINFORCEMENT

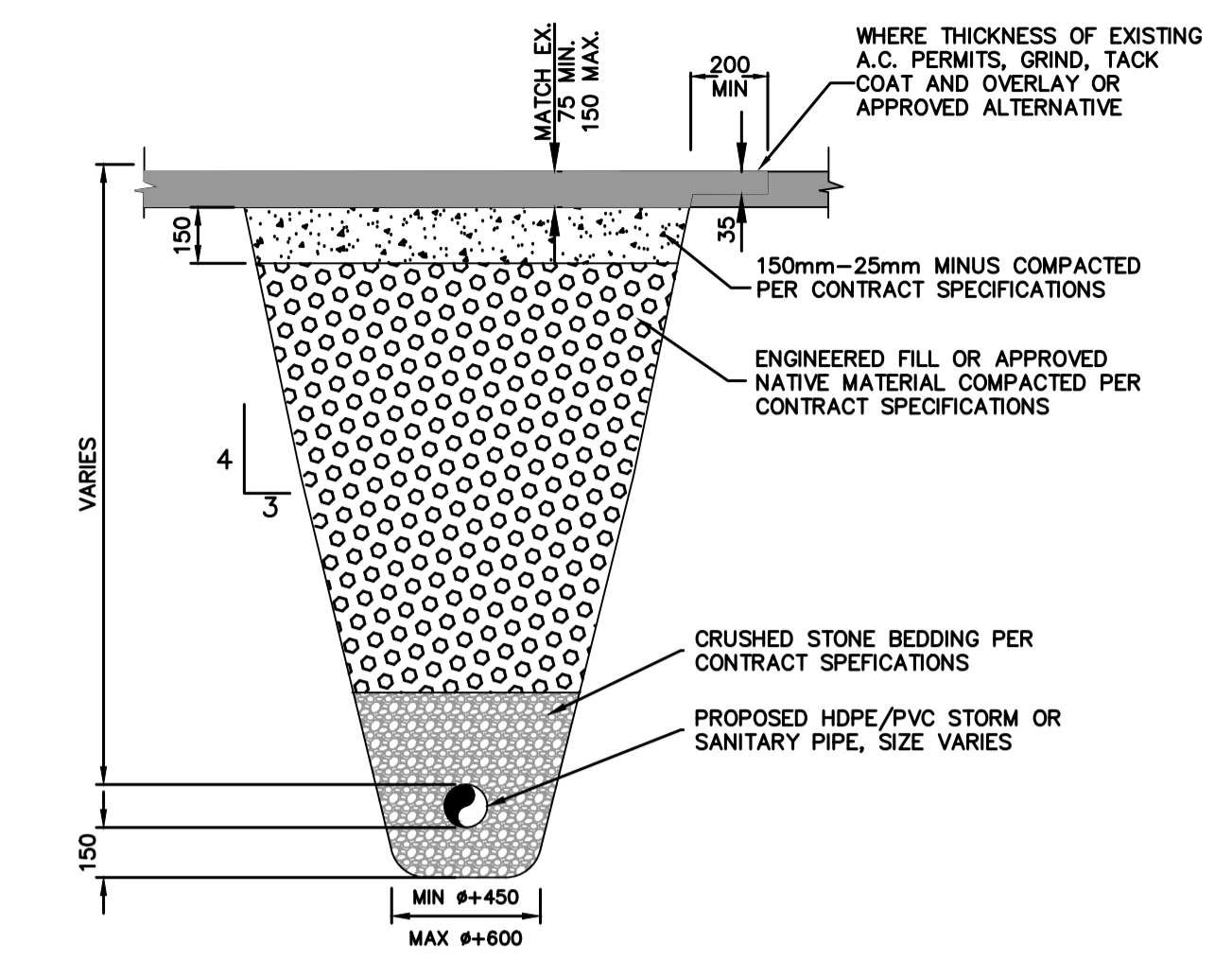
UPPER PANEL	
HORIZONTAL	7 - 15M BARS @ 300mm O.C.
VERTICAL	13 - 10M BARS @ 300mm O.C.
LOWER PANEL	
HORIZONTAL	15 - 15M BARS @ 140MM O.C.
VERTICAL	13 - 10M BARS @ 300MM O.C.

PRECAST CONCRETE PANEL FENCING DETAIL
1:50

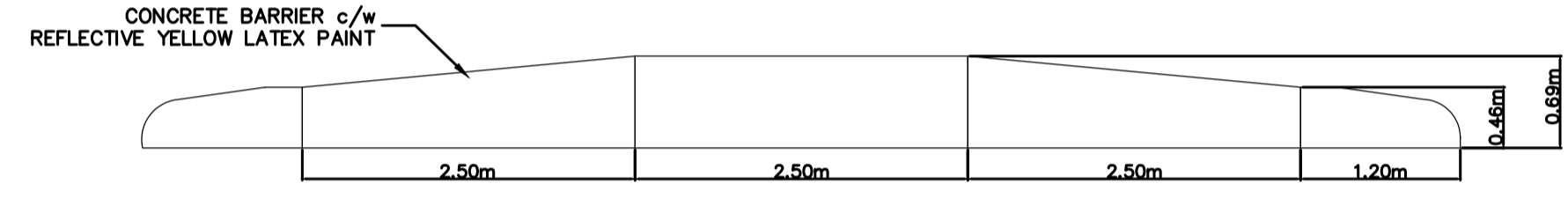
NOTES:
FOR DETAILED INFORMATION REGARDING PRECAST CONCRETE PANEL FENCING, REFER TO DRAWING BY WSP, FILE # 161-07388-00, "ROGERS PASS RETAINING WALLS - DETAILS", CONTRACT SPECIFICATIONS, APPENDIX E.



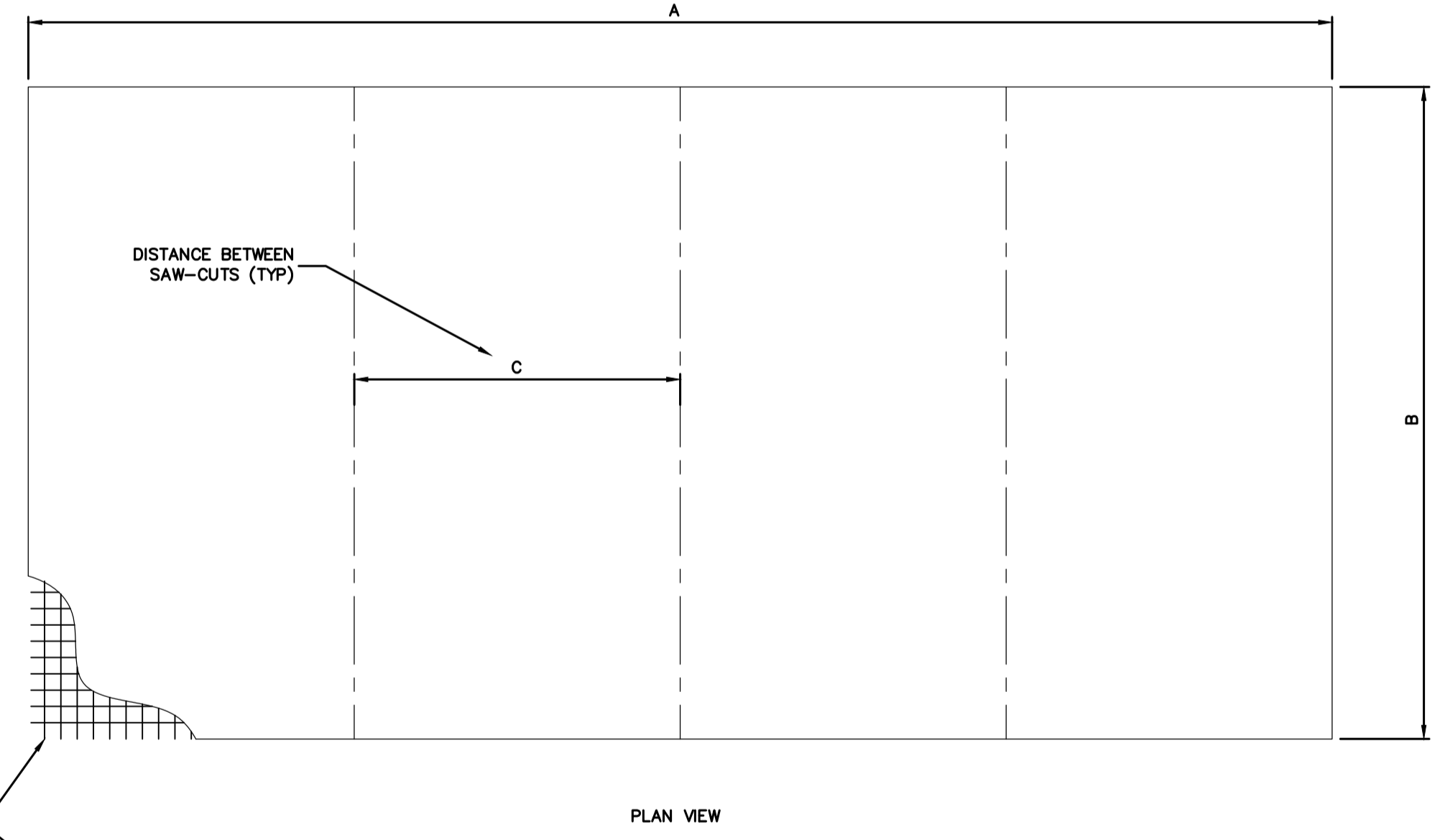
TYPICAL PRE-CAST CONCRETE A-FRAME BARRIER WALL DETAIL
1:25



PAVEMENT RESTORATION AND PIPE TRENCH DETAIL
N.T.S.



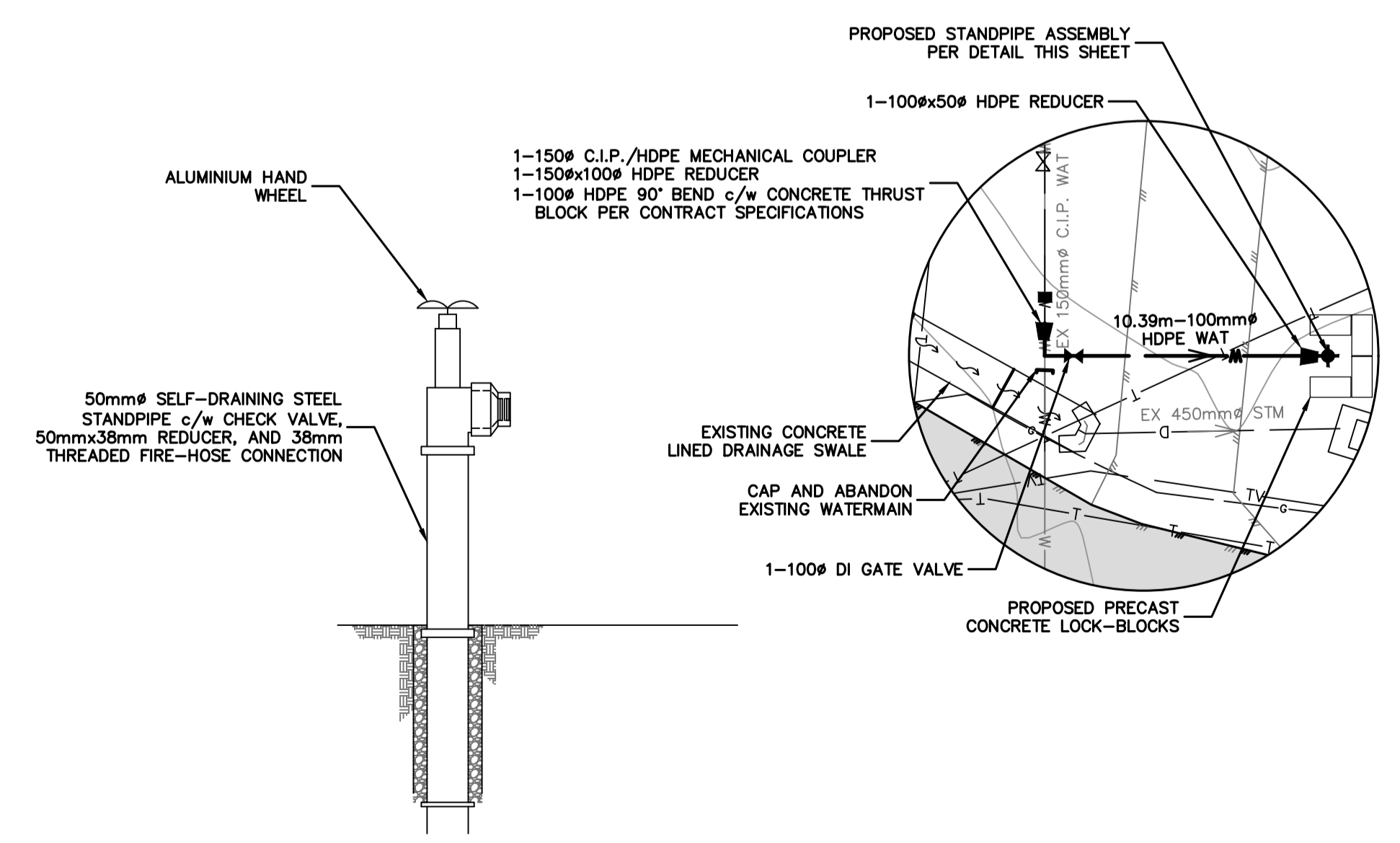
CONCRETE VEHICLE BARRIER DETAIL
N.T.S.



ABRASIVES STORAGE CONCRETE PAD DETAIL
N.T.S.

CONCRETE PAD DETAILS

LOCATION	DIMENSION A	DIMENSION B	DIMENSION C	GRADE
ABRASIVES STORAGE	24.0m	12.0m	6m	1.5%
GARAGE/OFFICES	8.0m	4.0m	2.0m	1.0%
GARAGE/OFFICES	8.0m	4.0m	2.0m	1.0%



PROPOSED STANDPIPE DETAIL
1:100

Revision/Revision	Description/Description	Date/Date
5	ISSUED FOR TENDER	2017/03/23
4	100% COMPLETE - ISSUED FOR REVIEW	2017/03/14
3	99% COMPLETE - ISSUED FOR REVIEW	2017/02/17
2	66% COMPLETE - ISSUED FOR REVIEW	2016/12/14
1	33% COMPLETE - ISSUED FOR REVIEW	2016/08/19

PUBLIC WORKS AND GOVERNMENT SERVICES CANADA

Project title/Titre du projet
PARKS CANADA - ROGERS PASS MAINTENANCE COMPOUND INFRASTRUCTURE IMPROVEMENTS PHASE 2

Consultant Signature Only
WEDLER ENGINEERING LLP

Designed by/Concept par
SBR

Drawn by/Dessiné par
DBB

PWSSC Project Manager/Administrateur de Projets TPSSC
TOM DUNPHY

Regional Manager, Architectural and Engineering Services, Gestionnaire régionale, Services d'architecture et de génie, TPSSC

Drawing title/Titre du dessin

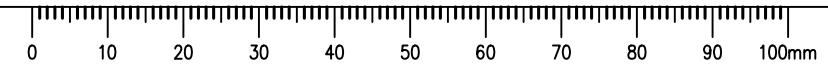
BARRIER WALL, WATER STANDPIPE, AND PAVEMENT DETAILS

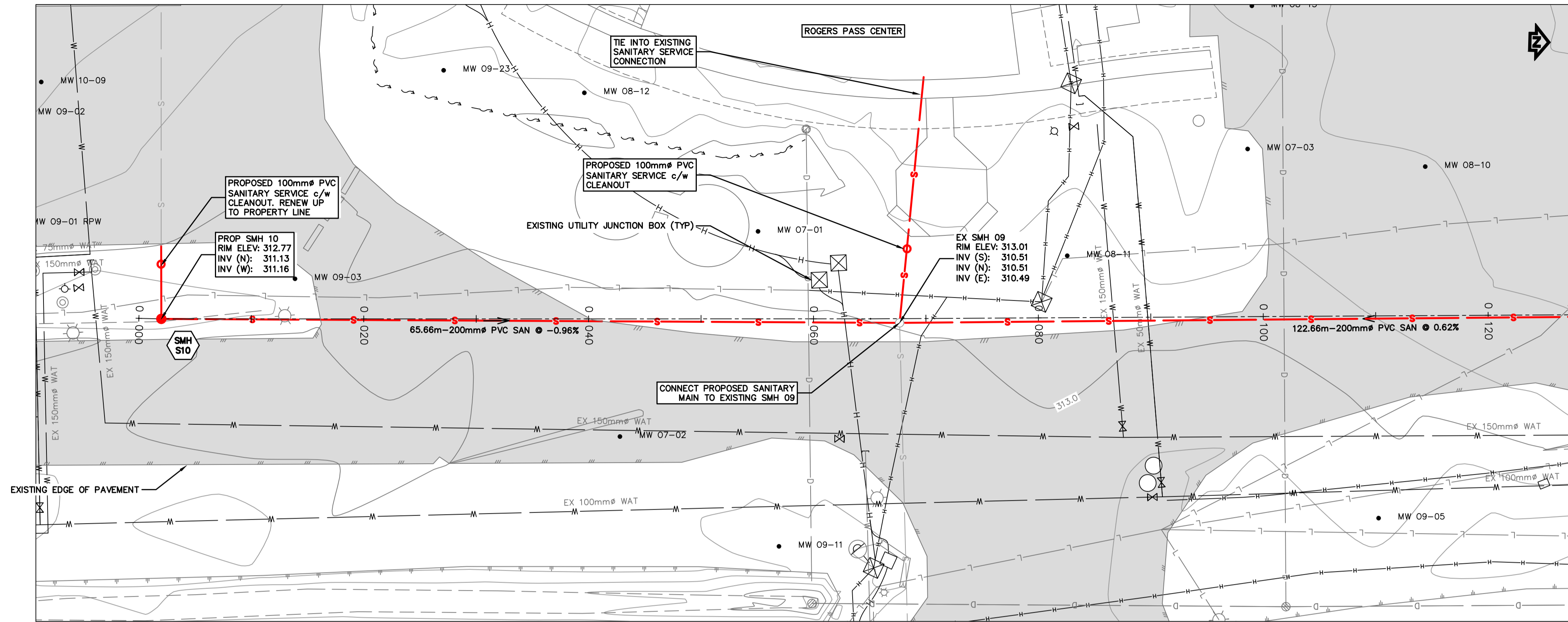
Project No./No. du projet
R.076550.001

Sheet/Feuille
C12

Revision no./Lo Révision no.
4

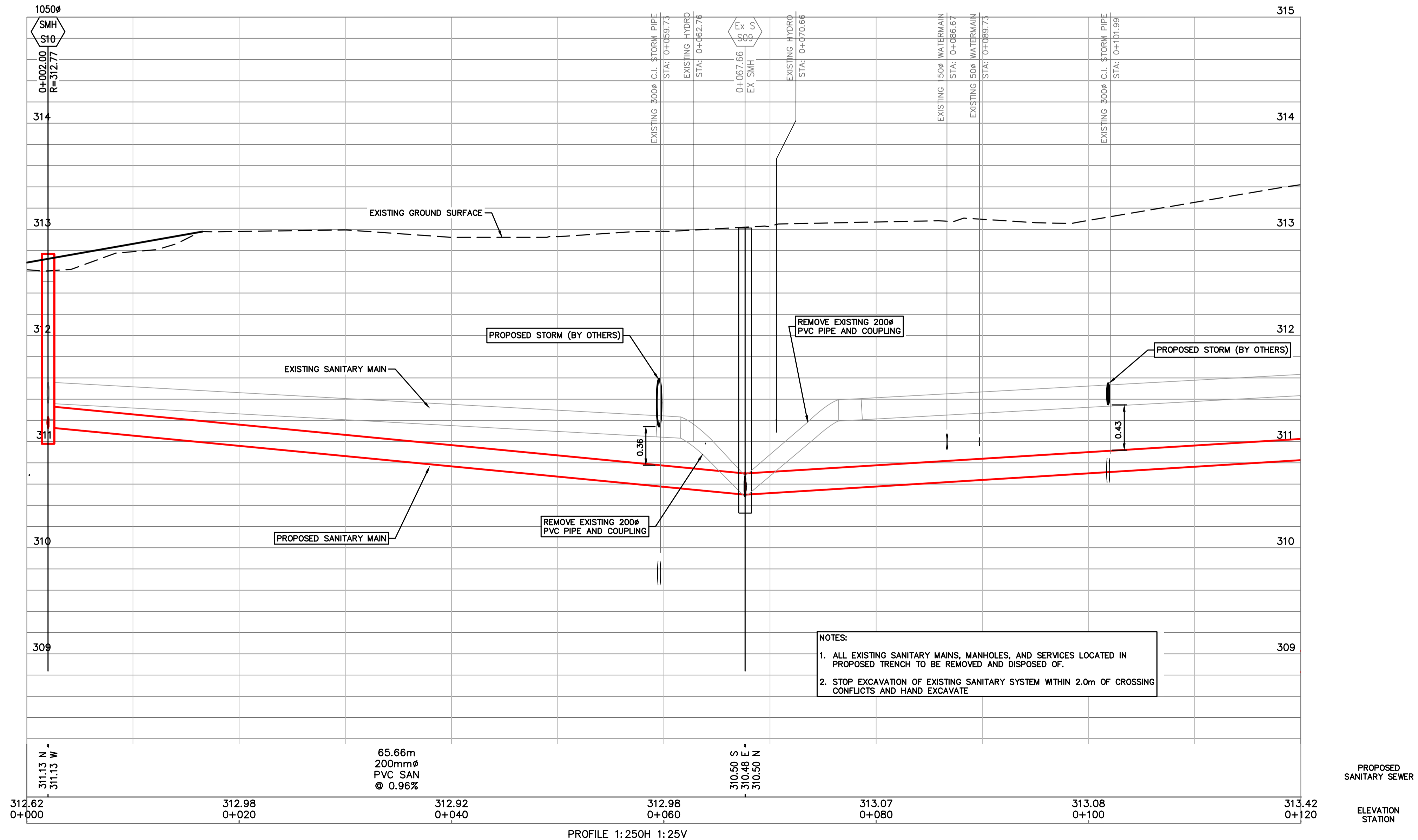
N:\15\15-0218A - PWSSC Standing Offer - 8 - Glacier Natl Park - Stormwater\Design - Current Drawings Files\15-0218C - Rogers Pass 100% dwg - 2017/03/23 02:30:23 PM lborrow 2017 - WEDLER ENGINEERING LLP - ALL RIGHTS RESERVED - THIS DOCUMENT IS PROTECTED BY COPYRIGHT LAW AND MAY NOT BE REPRODUCED IN ANY MANNER, OR FOR ANY PURPOSE, EXCEPT BY WRITTEN PERMISSION OF COPYRIGHT HOLDER.





SEE SHEET C14 FOR STATION 0+120 - 0+240

PLAN 1:250



NOTES:
1. ALL EXISTING SANITARY MAINS, MANHOLES, AND SERVICES LOCATED IN PROPOSED TRENCH TO BE REMOVED AND DISPOSED OF.
2. STOP EXCAVATION OF EXISTING SANITARY SYSTEM WITHIN 2.0m OF CROSSING CONFLICTS AND HAND EXCAVATE

PROFILE 1:250H 1:25V

PROPOSED
SANITARY SEWER
ELEVATION
STATION

Revision/Revision	Description/Description	Date/Date
5	ISSUED FOR TENDER	2017/03/23
4	100% COMPLETE - ISSUED FOR REVIEW	2017/03/14
3	99% COMPLETE - ISSUED FOR REVIEW	2017/02/17
2	66% COMPLETE - ISSUED FOR REVIEW	2016/12/14
1	33% COMPLETE - ISSUED FOR REVIEW	2016/08/19

Client/client
PUBLIC WORKS AND GOVERNMENT SERVICES CANADA

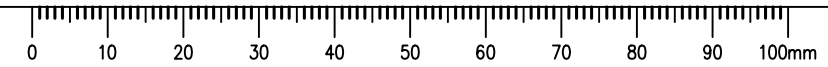
Project title/Titre du projet
PARKS CANADA - ROGERS PASS MAINTENANCE COMPOUND INFRASTRUCTURE IMPROVEMENTS PHASE 2

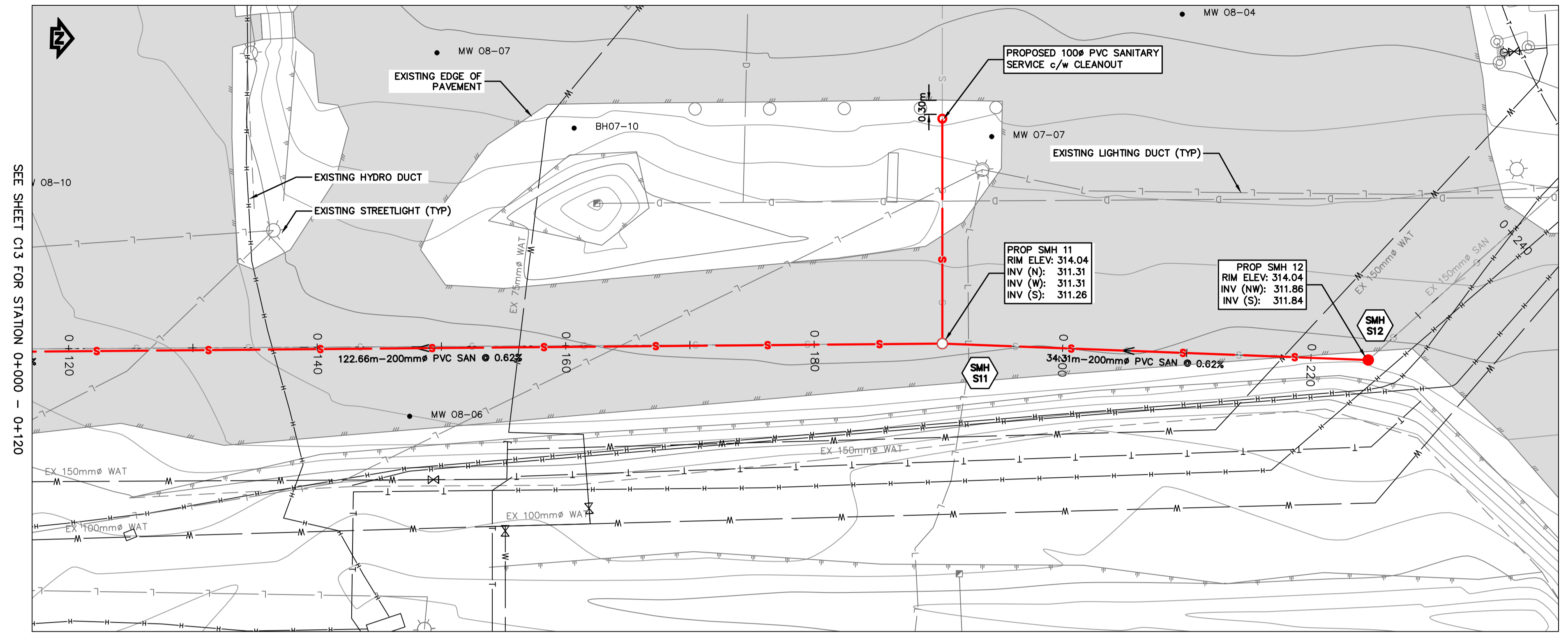
Consultant Signature Only
WEDLER ENGINEERING LLP
Designed by/Concept par
SBR
Drawn by/Dessiné par
DBB
PWSC Project Manager/Administrateur de Projets TPSCG
TOM DUNPHY
Regional Manager, Architectural and Engineering Services
Gestionnaire régionale, Services d'architecture et de génie, TPSCG

Drawing title/Titre du dessin
SANITARY MAIN REPLACEMENT WEST OF TRANS-CANADA HIGHWAY STA: 0+000 - 0+120

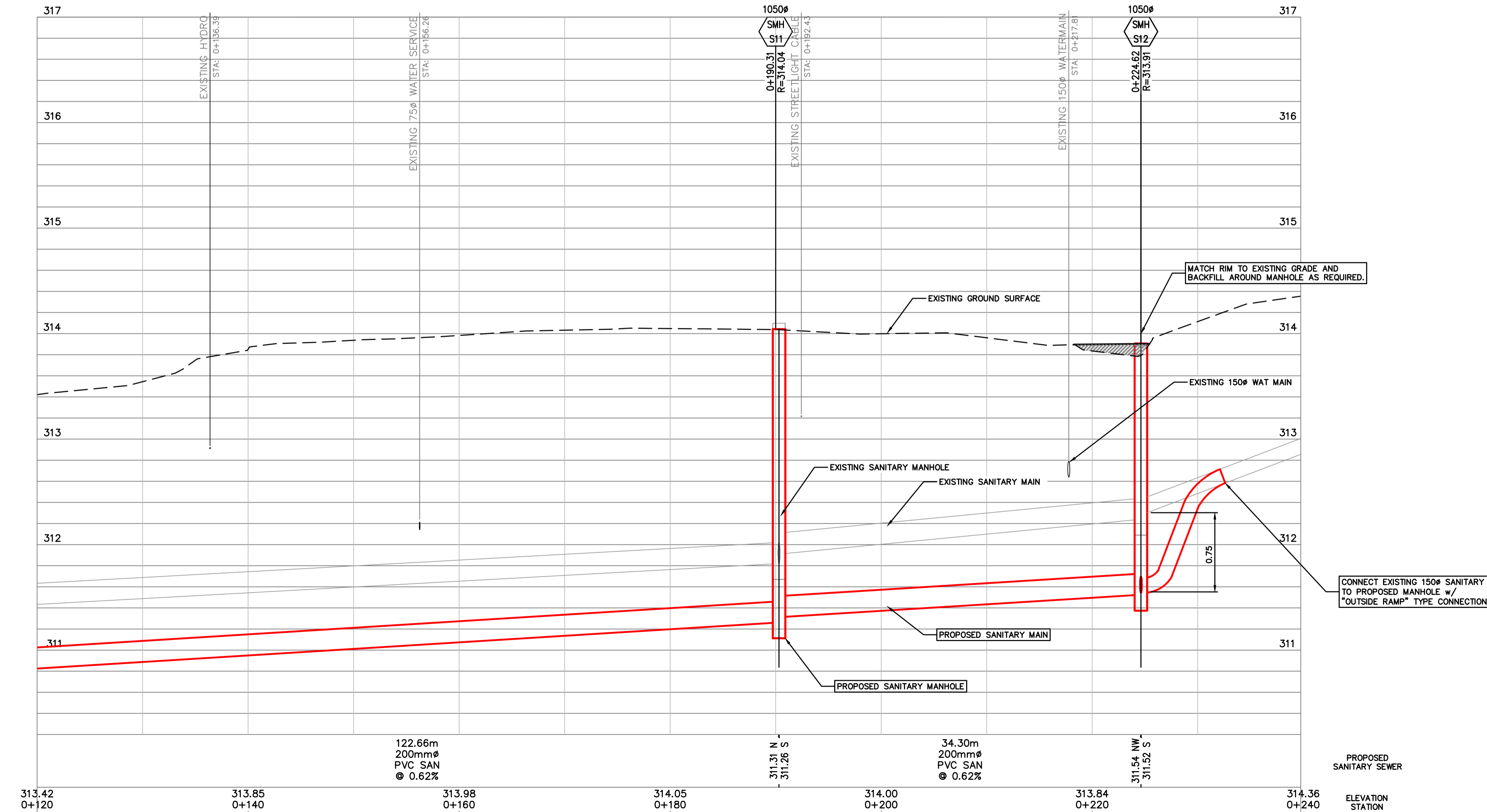
Project No./No. du projet	Sheet/Feuille	Revision no./Lo Révision no.
R.076550.001	C13	4

N:\15\15-0218A - PWSC Standing Offer 8 - Clever Hill Park - Stormwater Design\15-0218C - Rogers Pass 100% Design - 2017/13/23 02:30:30 PM lborrow 2017 - WEDLER ENGINEERING LP - ALL RIGHTS RESERVED - THIS DOCUMENT IS PROTECTED BY COPYRIGHT LAW AND MAY NOT BE REPRODUCED IN ANY MANNER, OR FOR ANY PURPOSE, EXCEPT BY WRITTEN PERMISSION OF COPYRIGHT HOLDER.





PLAN 1:250



- NOTES:**
1. ALL EXISTING SANITARY MAINS, MANHOLES, AND SERVICES LOCATED IN PROPOSED TRENCH TO BE REMOVED AND DISPOSED OF.
 2. STOP EXCAVATION OF EXISTING SANITARY SYSTEM WITHIN 2.0m OF CROSSING CONFLICTS AND HAND EXCAVATE

PROFILE 1:250H 1:25V

Revision/Revision	Description/Description	Date/Date
5	ISSUED FOR TENDER	2017/03/23
4	100% COMPLETE - ISSUED FOR REVIEW	2017/03/14
3	99% COMPLETE - ISSUED FOR REVIEW	2017/02/17
2	66% COMPLETE - ISSUED FOR REVIEW	2016/12/14
1	33% COMPLETE - ISSUED FOR REVIEW	2016/08/19

Client/client
PUBLIC WORKS AND GOVERNMENT SERVICES CANADA

Project title/Titre du projet
PARKS CANADA - ROGERS PASS MAINTENANCE COMPOUND INFRASTRUCTURE IMPROVEMENTS PHASE 2

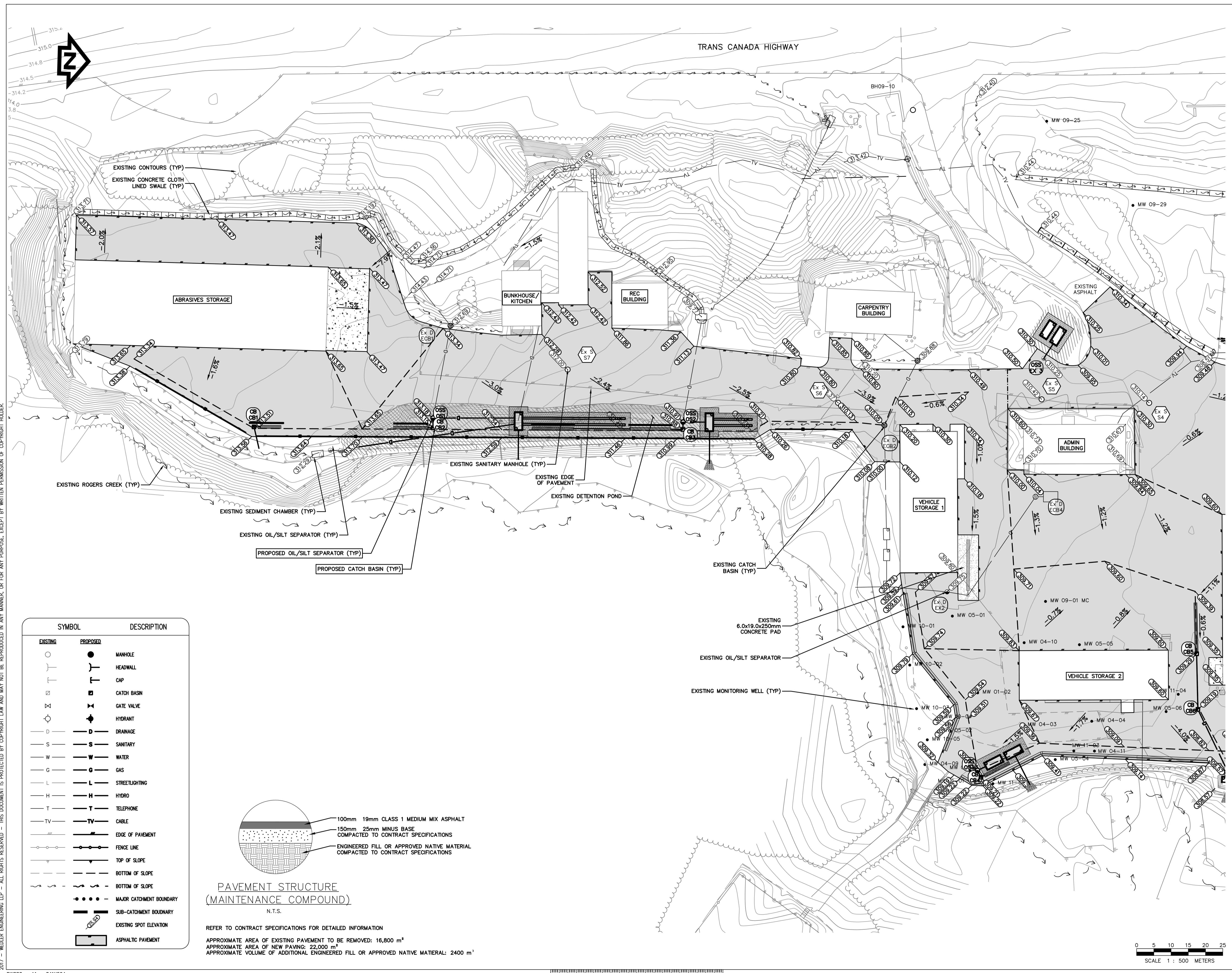
Consultant Signature Only
WEDLER ENGINEERING LLP
Designed by/Concept par
SBR
Drawn by/Dessiné par
DBB
PWSC Project Manager/Administrateur de Projets TPSCG
TOM DUNPHY
Regional Manager, Architectural and Engineering Services
Gestionnaire régionale, Services d'architectural et de génie, TPSCG

Drawing title/Titre du dessin
SANITARY MAIN REPLACEMENT WEST OF TRANS-CANADA HIGHWAY STA: 0+120 - 0+240

Project No./No. du projet R.076550.001	Sheet/Feuille C14	Revision no./Lo Révision no. 4
--	-----------------------------	--

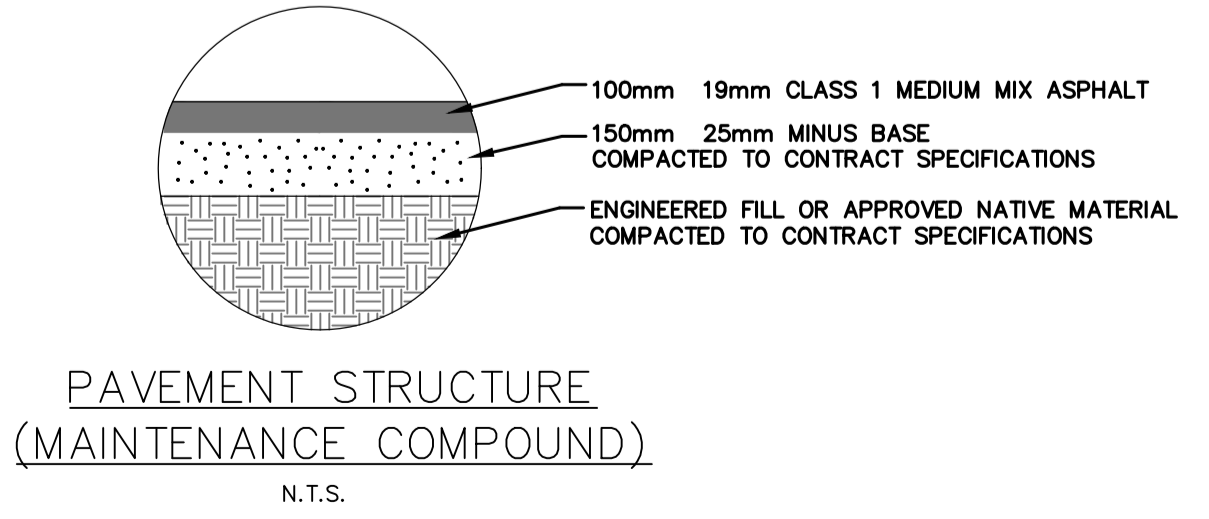
N:\15\15-0218A - PWSC Standing Offer 8 - Glacier Hill Park - Stormwater Design - Current Drawings Files\15-0218C - Rogers Pass 100% dwg - 2017/03/23 02:30:42 PM lborrow 2017 - WEDLER ENGINEERING LLP - ALL RIGHTS RESERVED - THIS DOCUMENT IS PROTECTED BY COPYRIGHT LAW AND MAY NOT BE REPRODUCED IN ANY MANNER, OR FOR ANY PURPOSE, EXCEPT BY WRITTEN PERMISSION OF COPYRIGHT HOLDER.





No. 15/V15-0218A - PWSC Standing Offer 8 - Glacier Hill Park - Stormwater Design - Current Drawings File V15-0218C - Roger's Pass 100% dwg. 2017/03/23 02:30:49 PM. borrows
 2017 - WEDLER ENGINEERING LP - ALL RIGHTS RESERVED - THIS DOCUMENT IS PROTECTED BY COPYRIGHT LAW AND MAY NOT BE REPRODUCED IN ANY MANNER, OR FOR ANY PURPOSE, EXCEPT BY WRITTEN PERMISSION OF COPYRIGHT HOLDER.

SYMBOL		DESCRIPTION
EXISTING	PROPOSED	
○	●	MANHOLE
┌	┌	HEADWALL
⊕	⊕	CAP
□	■	CATCH BASIN
⊗	⊗	GATE VALVE
⊕	⊕	HYDRANT
D	D	DRAINAGE
S	S	SANITARY
W	W	WATER
G	G	GAS
L	L	STREETLIGHTING
H	H	HYDRO
T	T	TELEPHONE
TV	TV	CABLE
—	—	EDGE OF PAVEMENT
—	—	FENCE LINE
—	—	TOP OF SLOPE
—	—	BOTTOM OF SLOPE
—	—	MAJOR CATCHMENT BOUNDARY
—	—	SUB-CATCHMENT BOUNDARY
—	—	EXISTING SPOT ELEVATION
—	—	ASPHALTIC PAVEMENT



REFER TO CONTRACT SPECIFICATIONS FOR DETAILED INFORMATION

APPROXIMATE AREA OF EXISTING PAVEMENT TO BE REMOVED: 16,800 m²
 APPROXIMATE AREA OF NEW PAVING: 22,000 m²
 APPROXIMATE VOLUME OF ADDITIONAL ENGINEERED FILL OR APPROVED NATIVE MATERIAL: 2400 m³

Revision/	Description/Description	Date/Date
5	ISSUED FOR TENDER	2017/03/23
4	100% COMPLETE - ISSUED FOR REVIEW	2017/03/14
3	99% COMPLETE - ISSUED FOR REVIEW	2017/02/17
2	66% COMPLETE - ISSUED FOR REVIEW	2016/12/14
1	33% COMPLETE - ISSUED FOR REVIEW	2016/08/19

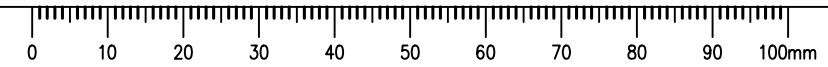
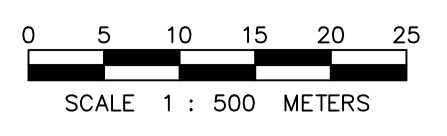
PUBLIC WORKS AND GOVERNMENT SERVICES CANADA

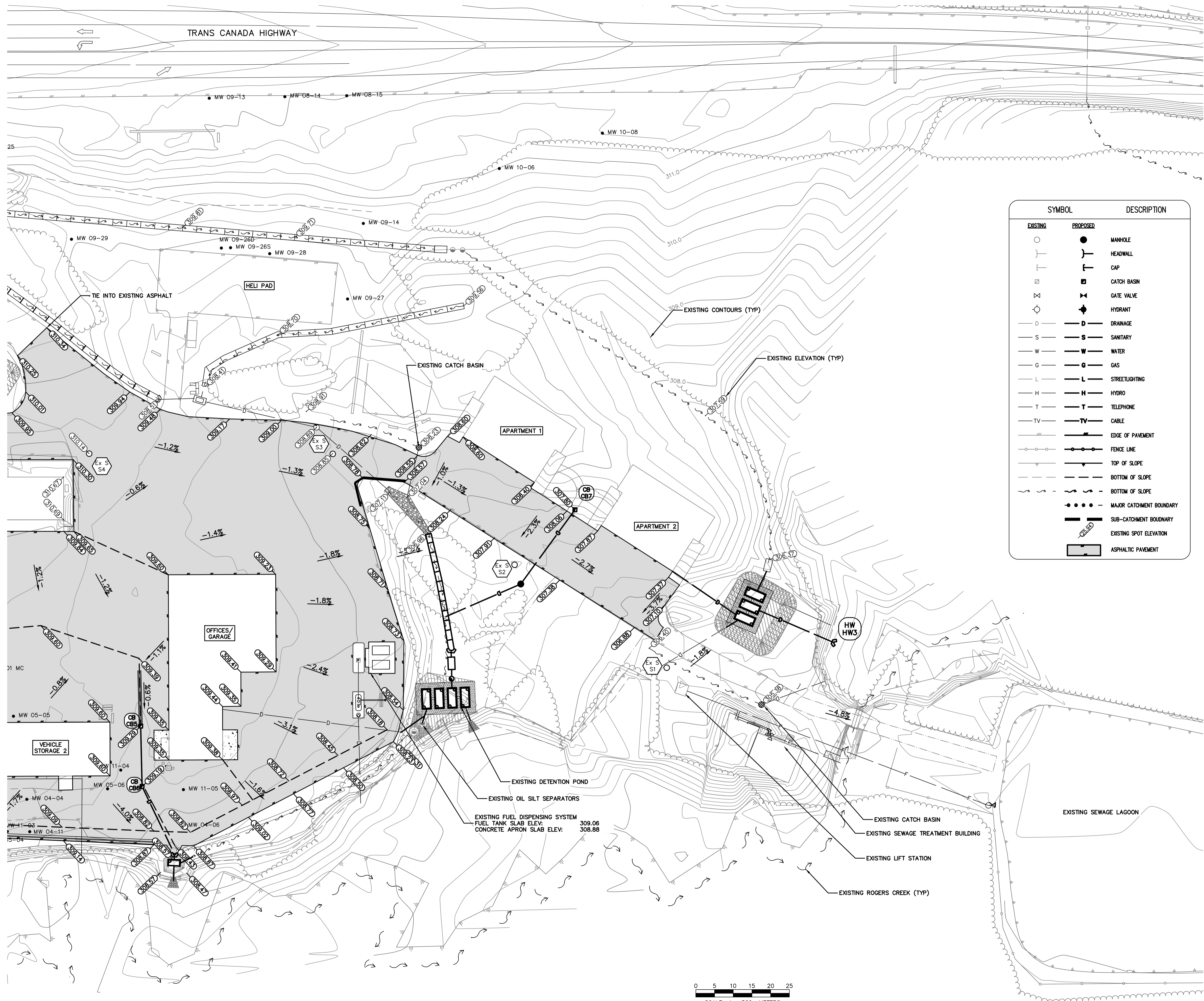
Project title/Titre du projet
PARKS CANADA - ROGERS PASS MAINTENANCE COMPOUND INFRASTRUCTURE IMPROVEMENTS PHASE 2

Consultant Signature Only
WEDLER ENGINEERING LLP
 Designed by/Concept par
SBR
 Drawn by/Dessiné par
DBB
 PWSC Project Manager/Administrateur de Projets TPSC
TOM DUNPHY
 Regional Manager, Architectural and Engineering Services
 Gestionnaire régionale, Services d'architectural et de génie, TPSC

Drawing title/Titre du dessin
PAVING PLAN SOUTH EAST

Project No./No. du projet R.076550.001	Sheet/Feuille C15	Revision no./Lo Révision no. 4
--	-----------------------------	--





SYMBOL		DESCRIPTION
EXISTING	PROPOSED	
		MANHOLE
		HEADWALL
		CAP
		CATCH BASIN
		GATE VALVE
		HYDRANT
		DRAINAGE
		SANITARY
		WATER
		GAS
		STREETLIGHTING
		HYDRO
		TELEPHONE
		CABLE
		EDGE OF PAVEMENT
		FENCE LINE
		TOP OF SLOPE
		BOTTOM OF SLOPE
		BOTTOM OF SLOPE
		MAJOR CATCHMENT BOUNDARY
		SUB-CATCHMENT BOUNDARY
		EXISTING SPOT ELEVATION
		ASPHALTIC PAVEMENT

Revision/Revision	Description/Description	Date/Date
5	ISSUED FOR TENDER	2017/03/23
4	100% COMPLETE - ISSUED FOR REVIEW	2017/03/14
3	99% COMPLETE - ISSUED FOR REVIEW	2017/02/17
2	66% COMPLETE - ISSUED FOR REVIEW	2016/12/14
1	33% COMPLETE - ISSUED FOR REVIEW	2016/08/19

PUBLIC WORKS AND GOVERNMENT SERVICES CANADA

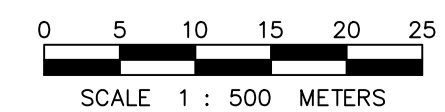
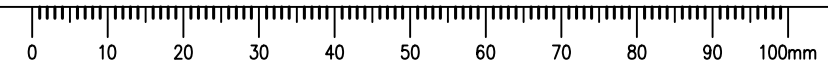
PARKS CANADA - ROGERS PASS MAINTENANCE COMPOUND INFRASTRUCTURE IMPROVEMENTS PHASE 2

Consultant Signature Only
WEDLER ENGINEERING LLP
Designed by/Concept par
SBR
Drawn by/Dessiné par
DBB
PWSC Project Manager/Administrateur de Projets TPSCG
TOM DUNPHY
Regional Manager, Architectural and Engineering Services
Gestionnaire régionale, Services d'architectural et de génie, TPSCG

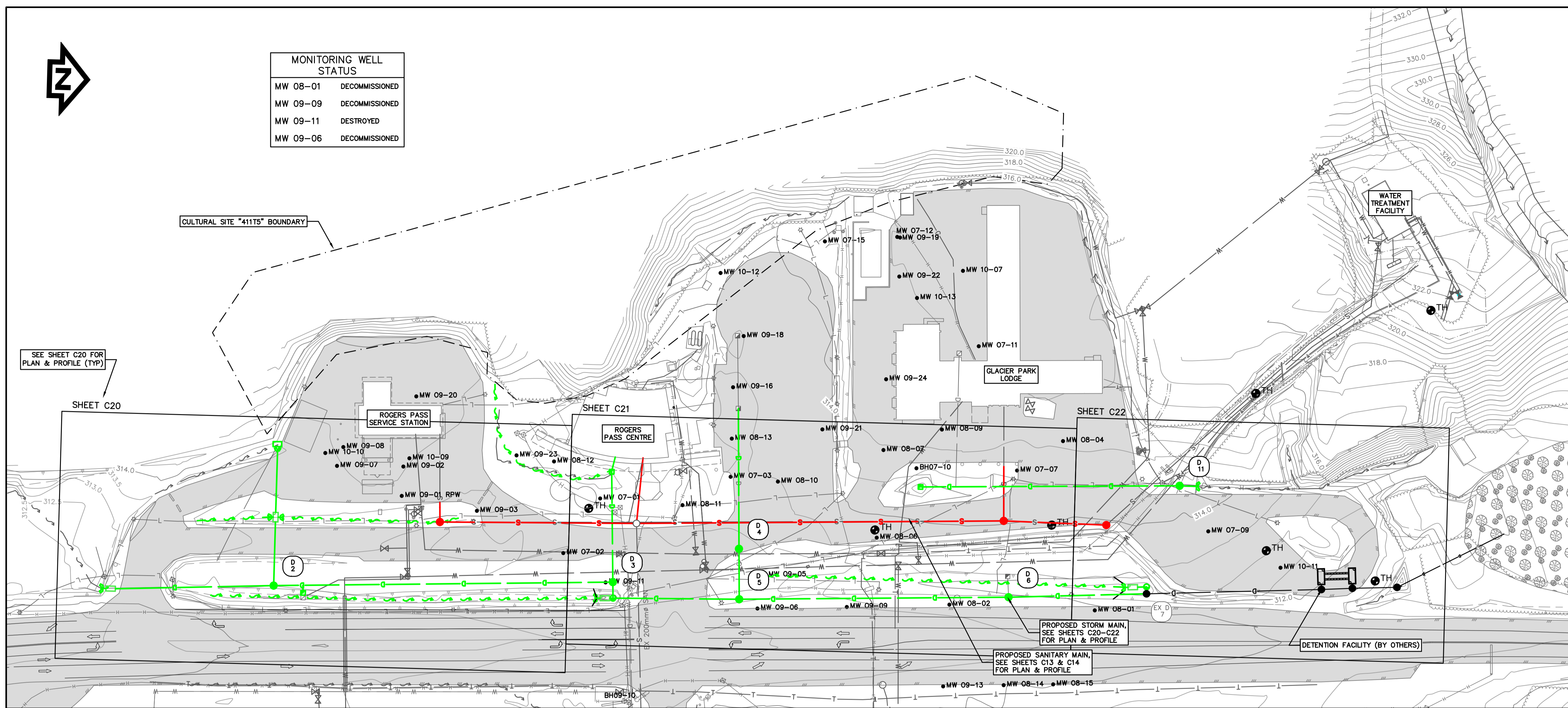
PAVING PLAN NORTH EAST

Project No./No. du projet R.076550.001	Sheet/Feuille C16	Revision no./Lo Révision no. 4
--	-----------------------------	--

N:\15\15-0218A - PWSC Standing Offer - 8 - Gleicher Hill Park - Stormwater Design\Current Drawings Files\15-0218C - Roger's Pass 100% dwg - 2017/03/23 02:30:54 PM - hborrow 2017 - WEDLER ENGINEERING LLP - ALL RIGHTS RESERVED - THIS DOCUMENT IS PROTECTED BY COPYRIGHT LAW AND MAY NOT BE REPRODUCED IN ANY MANNER, OR FOR ANY PURPOSE, EXCEPT BY WRITTEN PERMISSION OF COPYRIGHT HOLDER.



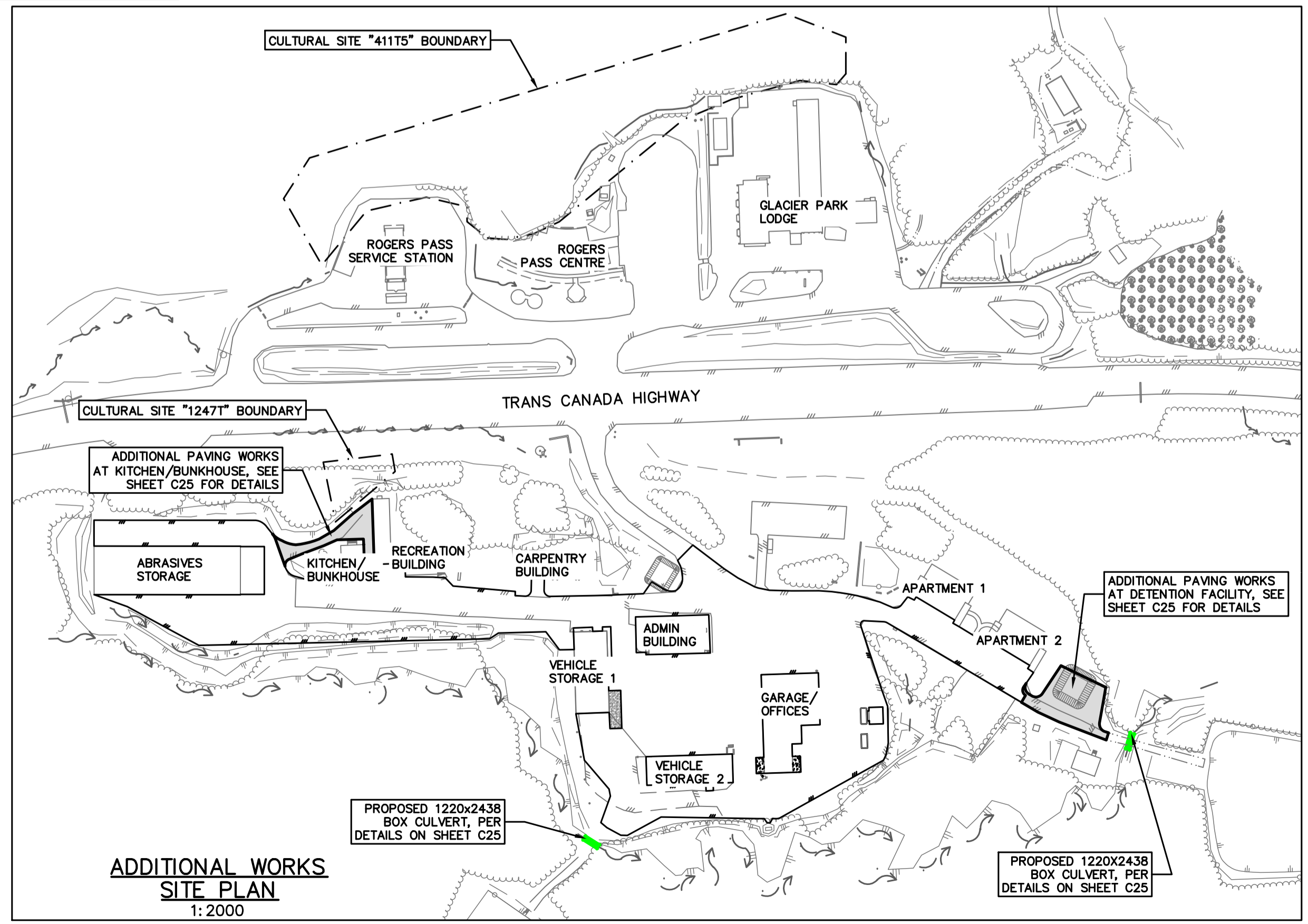
MONITORING WELL STATUS	
MW 08-01	DECOMMISSIONED
MW 09-09	DECOMMISSIONED
MW 09-11	DESTROYED
MW 09-06	DECOMMISSIONED



ADDITIONAL STORM WORKS KEY PLAN
1:750

SYMBOL	DESCRIPTION
○	MANHOLE
⊥	HEADWALL
⊥	CAP
⊠	CATCH BASIN
□	SEDIMENT CHAMBER
□	DETENTION CHAMBER
⊥	GATE VALVE
⊙	HYDRANT
D	DRAINAGE
S	SANITARY
W	WATER
G	GAS
L	STREETLIGHTING
H	HYDRO
T	TELEPHONE
TV	CABLE
---	EDGE OF PAVEMENT
---	FENCE LINE
---	TOP OF SLOPE
---	GRADE BREAK
---	GRASS/ROCK SWALE
○	EXISTING SPOT ELEVATION
■	ASPHALTIC PAVEMENT

0 10 20 30 40 50
SCALE 1:1000



ADDITIONAL WORKS SITE PLAN
1:2000

Revision/Revision	Description/Description	Date/Date
4	REVISED; ISSUED FOR ADDENDUM #1	2017/05/11
3	ISSUED FOR CONSTRUCTION COSTING	2017/01/30
2	65% COMPLETE - ISSUED FOR REVIEW	2016/12/14
1	33% COMPLETE - ISSUED FOR REVIEW	2016/08/19

PUBLIC WORKS AND GOVERNMENT SERVICES CANADA

PARKS CANADA- ROGERS PASS MAINTENANCE COMPOUND INFRASTRUCTURE IMPROVEMENTS PHASE 2

WEDLER ENGINEERING LLP
SBR
DBB
TOM DUNPHY

KEY PLAN - ADDITIONAL STORM WATER AND PAVING WORKS ADDENDUM #1

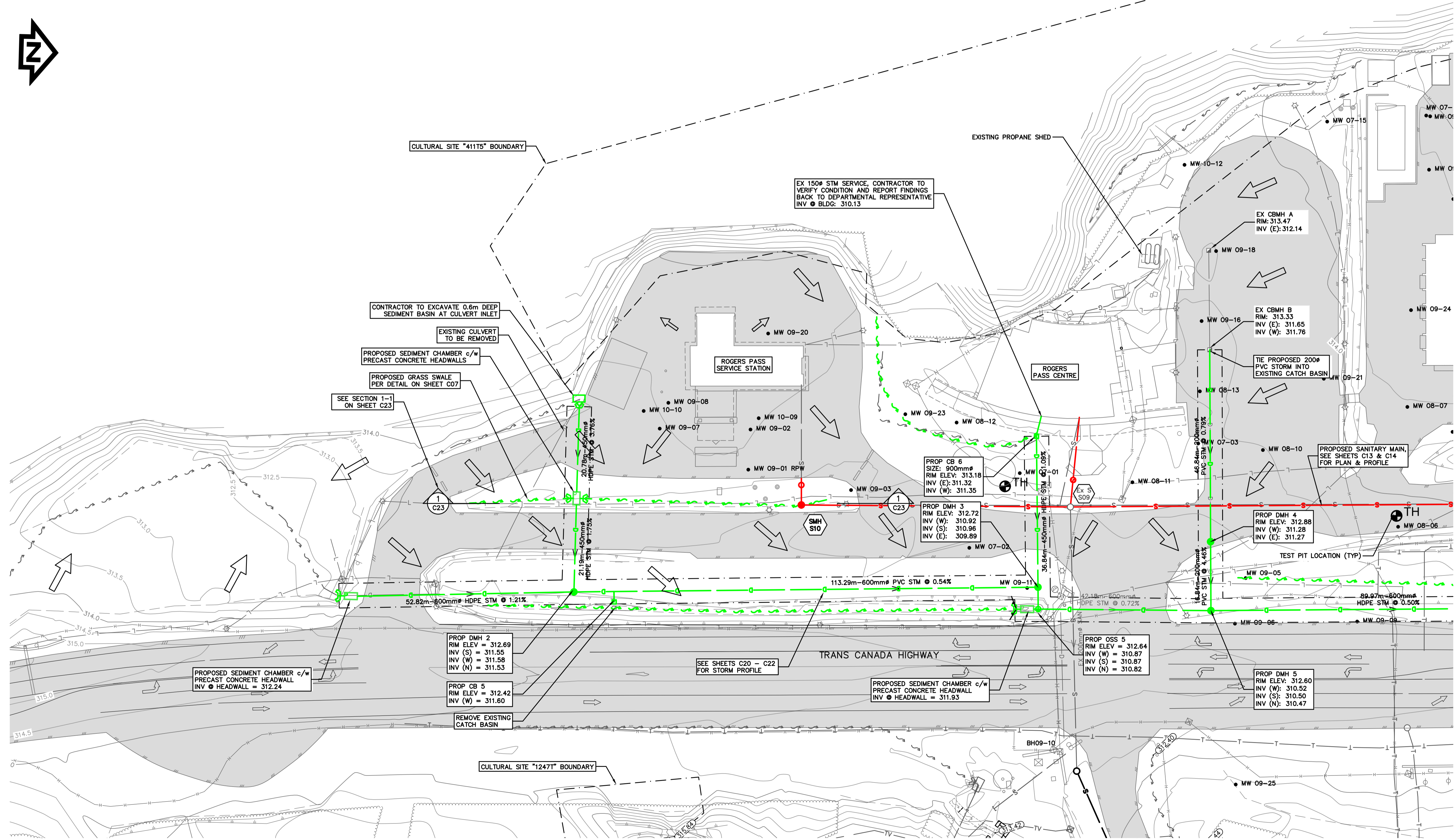
Project No./No. du projet	Sheet/Feuille	Revision no./Lo Révision no.
R.076550.001	C17	4

N:\15\15-0218C - Parks Canada - Glacier Park - Phase 2\Design - Current Drawing Files\15-0218C - Rogers Pass Storm Improvements.dwg, 2017/05/12 10:13:43 AM bbarrow
2017 - WEDLER ENGINEERING LLP - ALL RIGHTS RESERVED - THIS DOCUMENT IS PROTECTED BY COPYRIGHT LAW AND MAY NOT BE REPRODUCED IN ANY MANNER, OR FOR ANY PURPOSE, EXCEPT BY WRITTEN PERMISSION OF COPYRIGHT HOLDER.

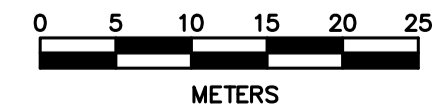


STORMWATER MANAGEMENT PLAN LEGEND

- EXISTING CONTOURS
- OVERLAND FLOW ROUTE
- INFILTRATION SWALE
- CATCH BASIN MANHOLE
- CATCH BASIN
- 2m MONITORING WELL PROTECTION ZONE*
- *ALL MONITORING WELLS WITHIN 2m OF EXCAVATION TO BE PROTECTED FROM DAMAGE DURING CONSTRUCTION
- ASPHALTIC PAVEMENT



PLAN 1:500



Revision/Description	Date/Date
4 REVISED; ISSUED FOR ADDENDUM #1	2017/05/11
3 ISSUED FOR CONSTRUCTION COSTING	2017/01/30
2 65% COMPLETE - ISSUED FOR REVIEW	2016/12/14
1 33% COMPLETE - ISSUED FOR REVIEW	2016/08/19

PUBLIC WORKS AND GOVERNMENT SERVICES CANADA

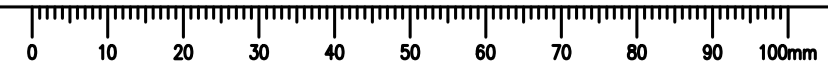
PARKS CANADA - ROGERS PASS MAINTENANCE COMPOUND INFRASTRUCTURE IMPROVEMENTS PHASE 2

Consultant Signature Only
WEDLER ENGINEERING LLP
 SBR
 Drawn by/Dessiné par
 DBB
 PWSC Project Manager/Administrateur de Projets TPSCG
TOM DUNPHY
 Regional Manager, Architectural and Engineering Services
 Gestionnaire régionale, Services d'architecture et de génie, TPSCG

STORM SEWER UPGRADES SOUTH WEST - PLAN

Project No./No. du projet R.076550.001	Sheet/Feuille C18	Revision no./Lo Révision no. 4
--	-----------------------------	--

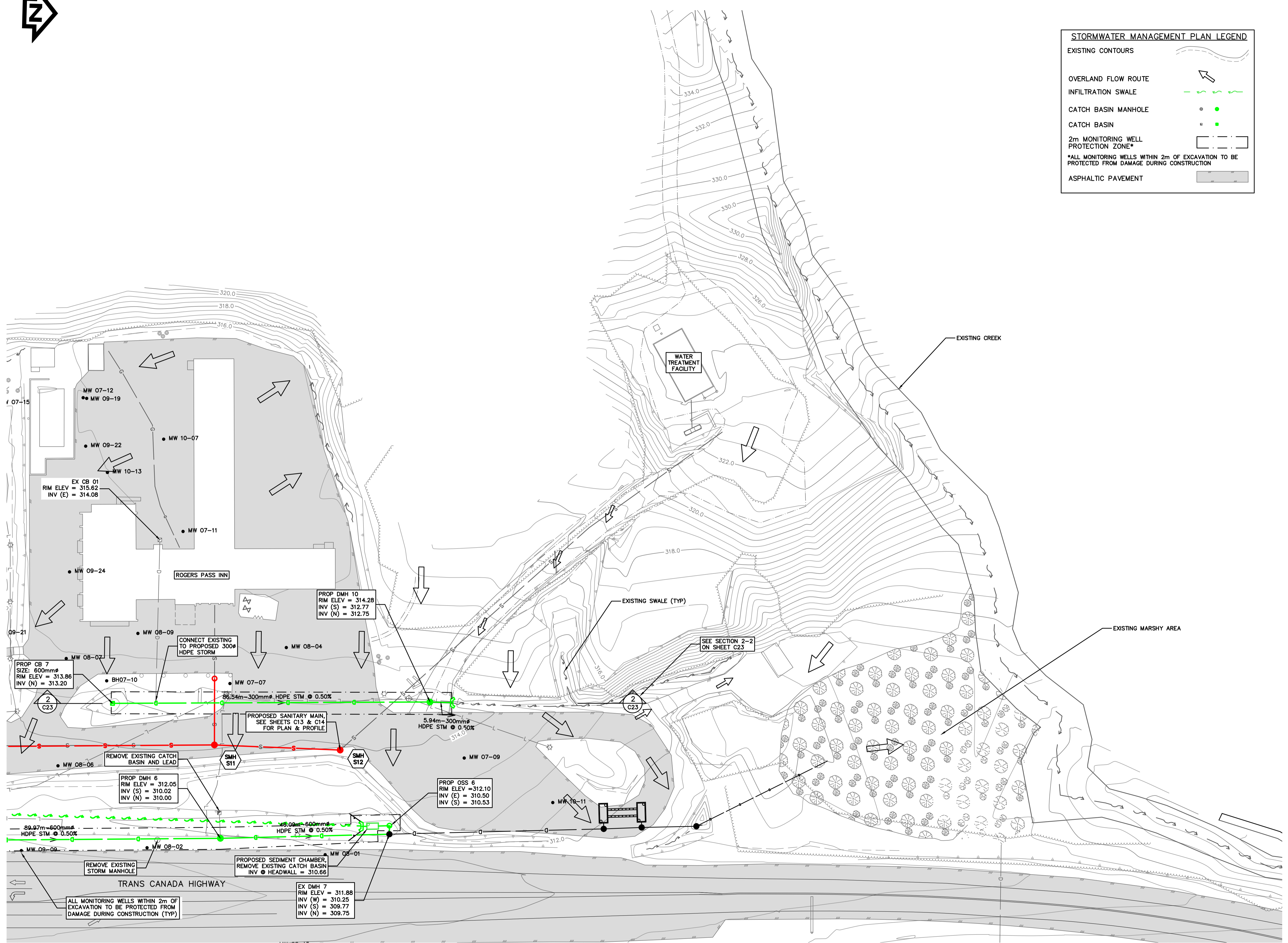
N:\15\15-0218C - Parks Canada - Gleicher North Park - Phase 2\Design - Current Drawing Files\15-0218C - Rogers Pass Storm Improvements.dwg, 2017/05/12 10:13:48 AM bbarrow
 2017 - WEDLER ENGINEERING LLP - ALL RIGHTS RESERVED - THIS DOCUMENT IS PROTECTED BY COPYRIGHT LAW AND MAY NOT BE REPRODUCED IN ANY MANNER, OR FOR ANY PURPOSE, EXCEPT BY WRITTEN PERMISSION OF COPYRIGHT HOLDER.



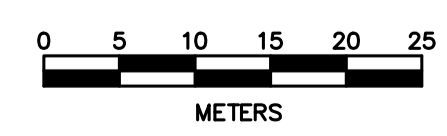


STORMWATER MANAGEMENT PLAN LEGEND

- EXISTING CONTOURS
- OVERLAND FLOW ROUTE
- INFILTRATION SWALE
- CATCH BASIN MANHOLE
- CATCH BASIN
- 2m MONITORING WELL PROTECTION ZONE*
- *ALL MONITORING WELLS WITHIN 2m OF EXCAVATION TO BE PROTECTED FROM DAMAGE DURING CONSTRUCTION
- ASPHALTIC PAVEMENT



PLAN 1:500



Revision/Revision	Description/Description	Date/Date
4	REVISED; ISSUED FOR ADDENDUM #1	2017/05/11
3	ISSUED FOR CONSTRUCTION COSTING	2017/01/30
2	65% COMPLETE - ISSUED FOR REVIEW	2016/12/14
1	33% COMPLETE - ISSUED FOR REVIEW	2016/08/19

Client/client
PUBLIC WORKS AND GOVERNMENT SERVICES CANADA

Project title/Titre du projet
PARKS CANADA - ROGERS PASS MAINTENANCE COMPOUND INFRASTRUCTURE IMPROVEMENTS PHASE 2

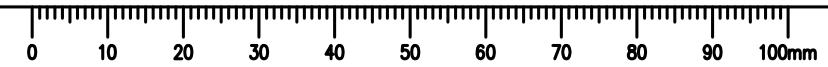
Consultant Signature Only
WEDLER ENGINEERING LLP
Designed by/Concept par
SBR
Drawn by/Dessiné par
DBB
PWSC Project Manager/Administrateur de Projets TPSCG
TOM DUNPHY
Regional Manager, Architectural and Engineering Services
Gestionnaire régionale, Services d'architecture et de génie, TPSCG

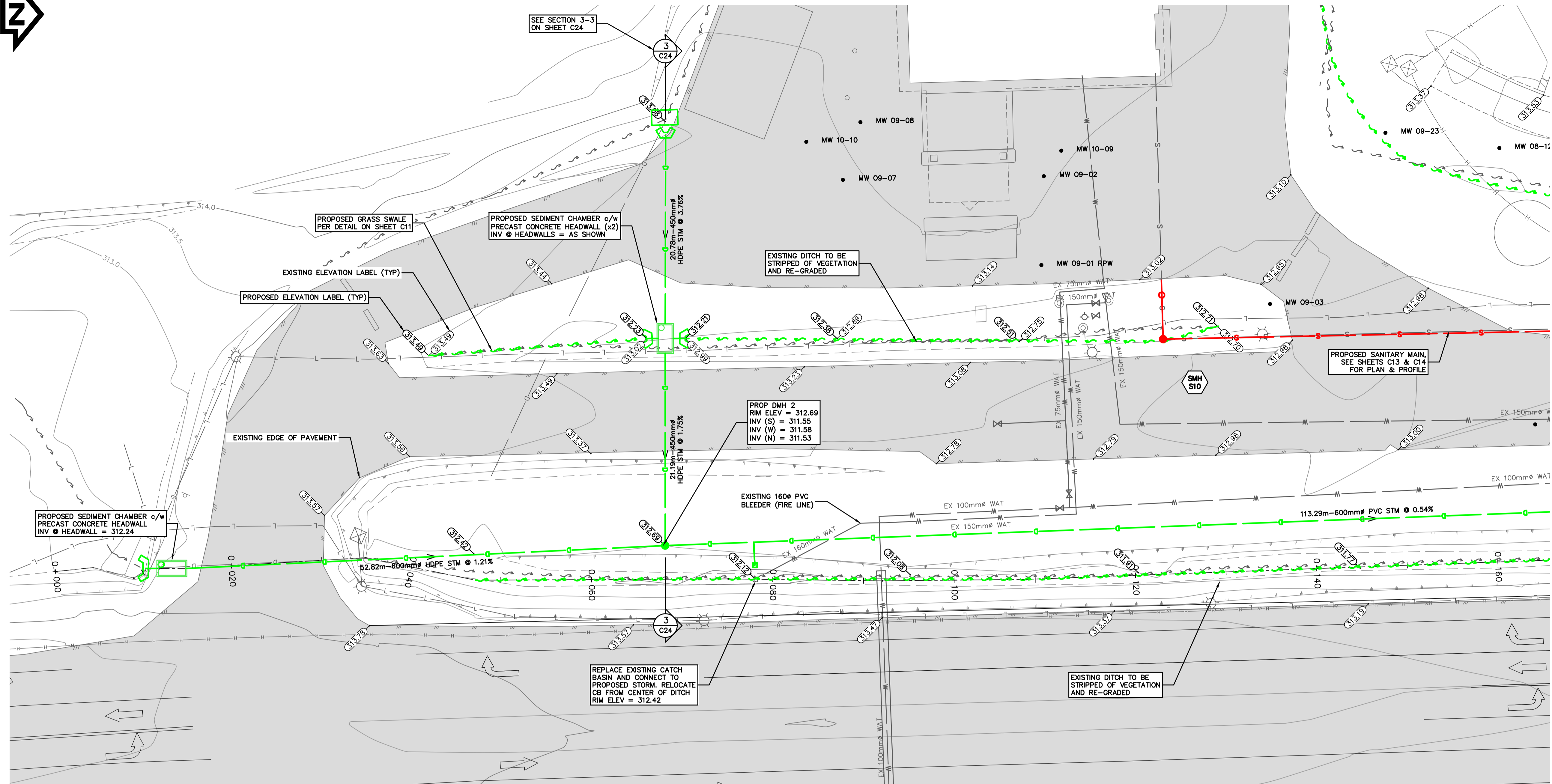
Drawing title/Titre du dessin

STORM SEWER UPGRADES NORTH WEST - PLAN

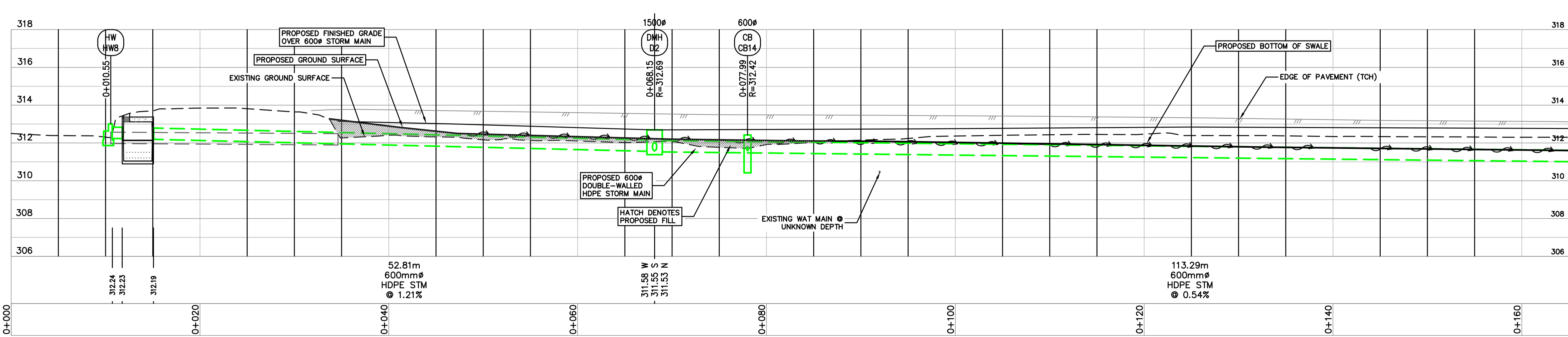
Project No./No. du projet	Sheet/Feuille	Revision no./Lo Révision no.
R.076550.001	C19	4

N:\15\15-0218C - Parks Canada - Glacier North Park - Phase 2\Design - Current Drawing Files\15-0218C - Rogers Pass Storm Improvements.dwg, 2017/05/12 10:13:53 AM bbarrow 2017 - WEDLER ENGINEERING LLP - ALL RIGHTS RESERVED - THIS DOCUMENT IS PROTECTED BY COPYRIGHT LAW AND MAY NOT BE REPRODUCED IN ANY MANNER, OR FOR ANY PURPOSE, EXCEPT BY WRITTEN PERMISSION OF COPYRIGHT HOLDER.





MATCHLINE - SEE PLAN AND PROFILE ON SHEET C21



Revision/Revision	Description/Description	Date/Date
4	REVISED; ISSUED FOR ADDENDUM #1	2017/05/11
3	ISSUED FOR CONSTRUCTION COSTING	2017/01/30
2	65% COMPLETE - ISSUED FOR REVIEW	2016/12/14
1	33% COMPLETE - ISSUED FOR REVIEW	2016/08/19

PUBLIC WORKS AND GOVERNMENT SERVICES CANADA

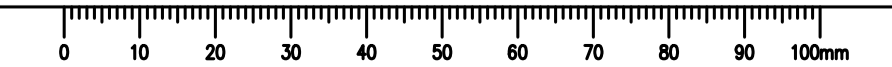
Project title/Titre du projet
PARKS CANADA - ROGERS PASS MAINTENANCE COMPOUND INFRASTRUCTURE IMPROVEMENTS PHASE 2

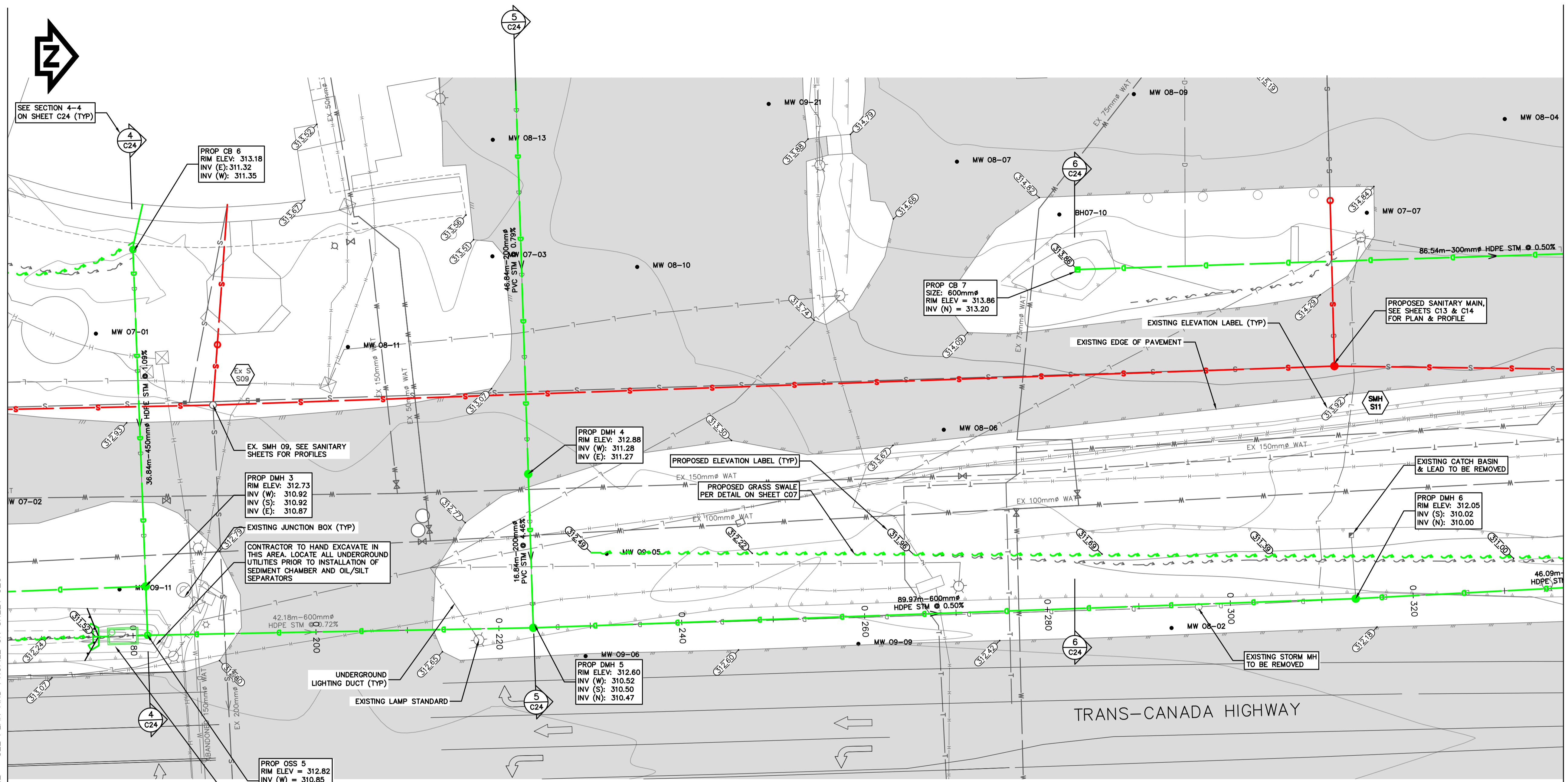
Consultant Signature Only
WEDLER ENGINEERING LLP
 SBR
 Drawn by/Dessiné par
DBB
 PWSC Project Manager/Administrateur de Projets TPSC
TOM DUNPHY
 Regional Manager, Architectural and Engineering Services
 Gestionnaire régionale, Services d'architecture et de génie, TPSC

Drawing title/Titre du dessin
STORM SEWER UPGRADES PROFILES - WEST 1

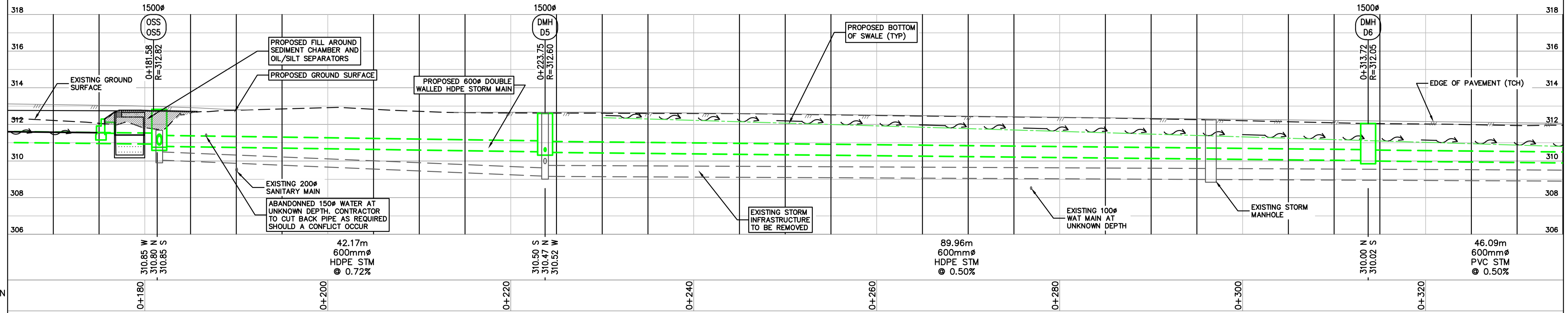
Project No./No. du projet R.076550.001	Sheet/Feuille C20	Revision no./Loi Révision no. 4
--	-----------------------------	---

N:\15\15-0218C - Parks Canada - Rogers Pass Storm Improvements.dwg, 2017/05/12 10:27:44 AM, borrow, 2017 - WEDLER ENGINEERING LP - ALL RIGHTS RESERVED - THIS DOCUMENT IS PROTECTED BY COPYRIGHT LAW AND MAY NOT BE REPRODUCED IN ANY MANNER, OR FOR ANY PURPOSE, EXCEPT BY WRITTEN PERMISSION OF COPYRIGHT HOLDER.

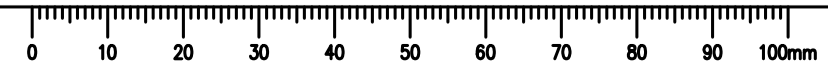




PLAN 1:250



PROFILE 1:250H 1:125V



N:\15\15-0218C - Parks Canada - Glacier North Park - Phase 2\Design - Current Drawings\Files\15-0218C - Rogers Pass Storm Improvements.dwg, 2017/05/12 10:27:53 AM, borrow
2017 - WEDLER ENGINEERING LP - ALL RIGHTS RESERVED - THIS DOCUMENT IS PROTECTED BY COPYRIGHT LAW AND MAY NOT BE REPRODUCED IN ANY MANNER, OR FOR ANY PURPOSE, EXCEPT BY WRITTEN PERMISSION OF COPYRIGHT HOLDER.

MATCHLINE - SEE PLAN AND PROFILE ON SHEET C20

MATCHLINE - SEE PLAN AND PROFILE ON SHEET C22

Revision/Revision	Description/Description	Date/Date
4	REVISED; ISSUED FOR ADDENDUM #1	2017/05/11
3	ISSUED FOR CONSTRUCTION COSTING	2017/01/30
2	65% COMPLETE - ISSUED FOR REVIEW	2016/12/14
1	33% COMPLETE - ISSUED FOR REVIEW	2016/08/19

PUBLIC WORKS AND GOVERNMENT SERVICES CANADA

Project title/Titre du projet
PARKS CANADA - ROGERS PASS MAINTENANCE COMPOUND INFRASTRUCTURE IMPROVEMENTS PHASE 2

Consultant Signature Only
WEDLER ENGINEERING LLP
Designed by/Concept par
SBR
Drawn by/Dessiné par
DBB
PWSC Project Manager/Administrateur de Projets TPSCG
TOM DUNPHY
Regional Manager, Architectural and Engineering Services
Gestionnaire régionale, Services d'architecture et de génie, TPSCG

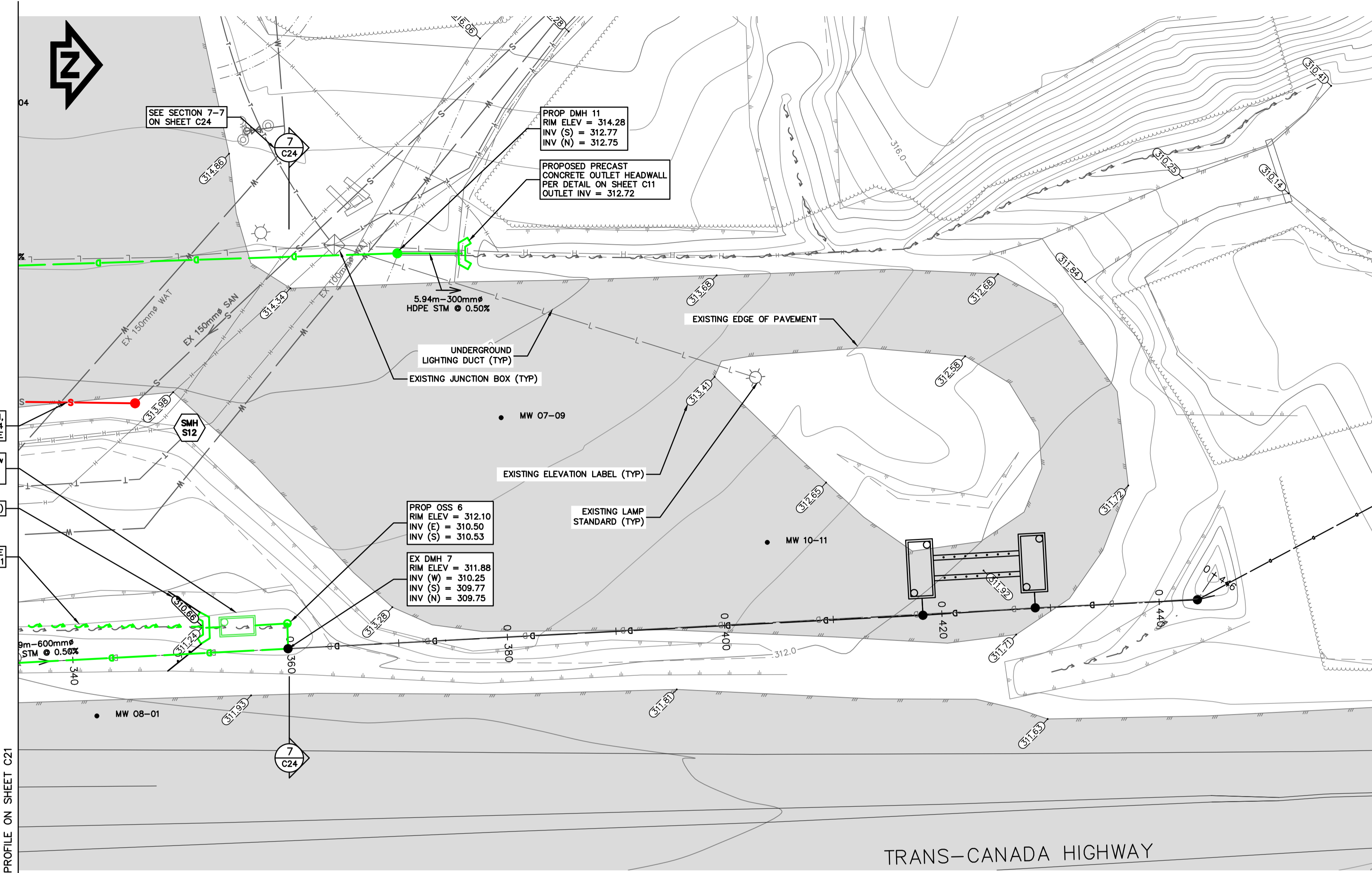
Drawing title/Titre du dessin

STORM SEWER UPGRADES PROFILES - WEST 2

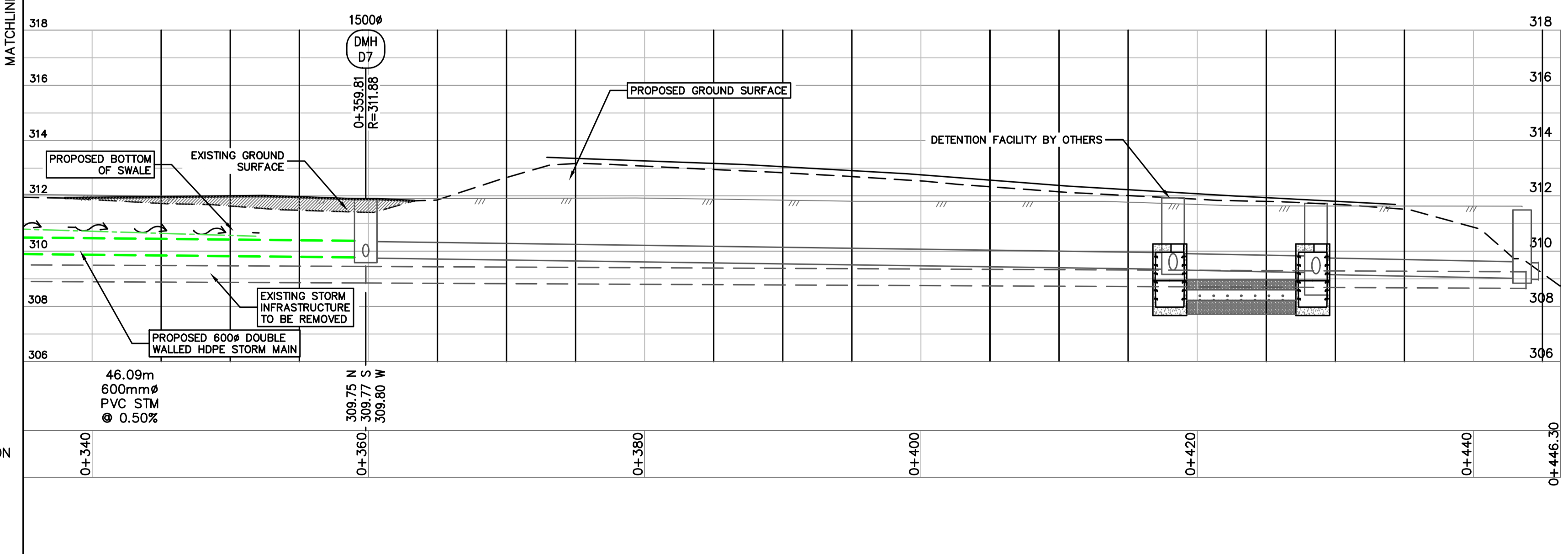
Project No./No. du projet R.076550.001	Sheet/Feuille C21	Revision no./Lo Révision no. 4
--	-----------------------------	--



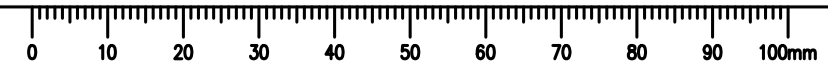
N:\15\15-0218C - Parks Canada - Gleicher North Park - Phase 2\Design - Current Drawing Files\15-0218C - Rogers Pass Storm Improvements.dwg, 2017/05/12 10:28:03 AM, bborrow, 2017 - WEDLER ENGINEERING LP - ALL RIGHTS RESERVED - THIS DOCUMENT IS PROTECTED BY COPYRIGHT LAW AND MAY NOT BE REPRODUCED IN ANY MANNER, OR FOR ANY PURPOSE, EXCEPT BY WRITTEN PERMISSION OF COPYRIGHT HOLDER.



PLAN 1:250



PROFILE 1:250H 1:125V



Revision/Revision	Description/Description	Date/Date
4	REVISED; ISSUED FOR ADDENDUM #1	2017/05/11
3	ISSUED FOR CONSTRUCTION COSTING	2017/01/30
2	65% COMPLETE - ISSUED FOR REVIEW	2016/12/14
1	33% COMPLETE - ISSUED FOR REVIEW	2016/08/19

Client/client
PUBLIC WORKS AND GOVERNMENT SERVICES CANADA

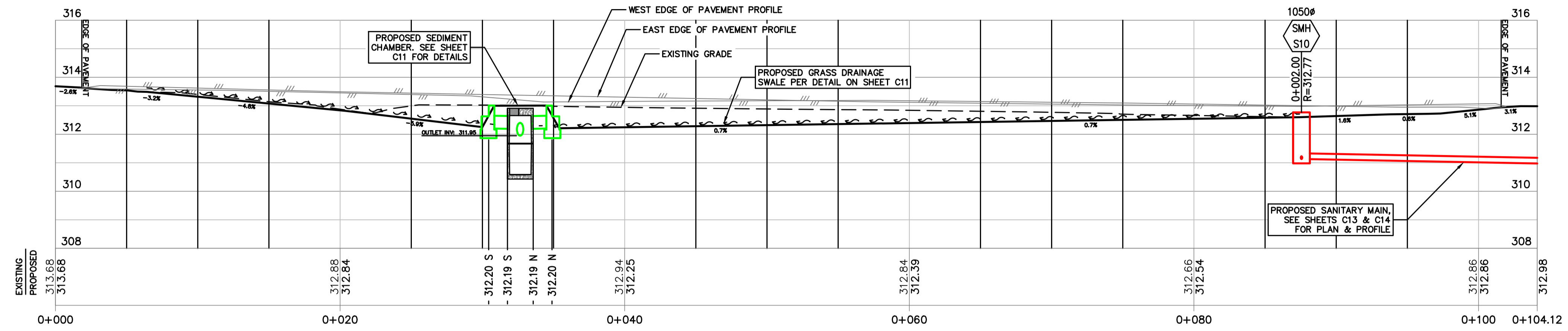
Project title/Titre du projet
PARKS CANADA - ROGERS PASS MAINTENANCE COMPOUND INFRASTRUCTURE IMPROVEMENTS PHASE 2

Consultant Signature Only
WEDLER ENGINEERING LLP
Designed by/Concept par
SBR
Drawn by/Dessiné par
DBB
PWSC Project Manager/Administrateur de Projets TPSC
TOM DUNPHY
Regional Manager, Architectural and Engineering Services
Gestionnaire régionale, Services d'architecture et de génie, TPSC

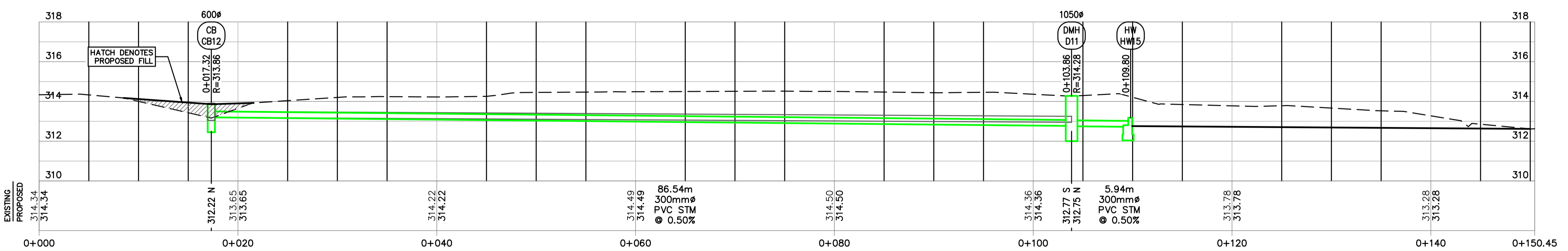
Drawing title/Titre du dessin
STORM SEWER UPGRADES PROFILES - WEST 3

Project No./No. du projet R.076550.001	Sheet/Feuille C22	Revision no./Lo Révision no. 4
--	-----------------------------	--





SECTION 1-1
1:200H 1:100V



SECTION 2-2
1:250H 1:125V

Revision/Revision	Description/Description	Date/Date
4	REVISED; ISSUED FOR ADDENDUM #1	2017/05/11
3	ISSUED FOR CONSTRUCTION COSTING	2017/01/30
2	65% COMPLETE - ISSUED FOR REVIEW	2016/12/14
1	33% COMPLETE - ISSUED FOR REVIEW	2016/08/19

Client/client
PUBLIC WORKS AND GOVERNMENT SERVICES CANADA

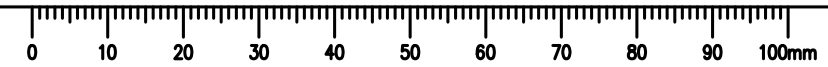
Project title/Titre du projet
PARKS CANADA - ROGERS PASS MAINTENANCE COMPOUND INFRASTRUCTURE IMPROVEMENTS PHASE 2

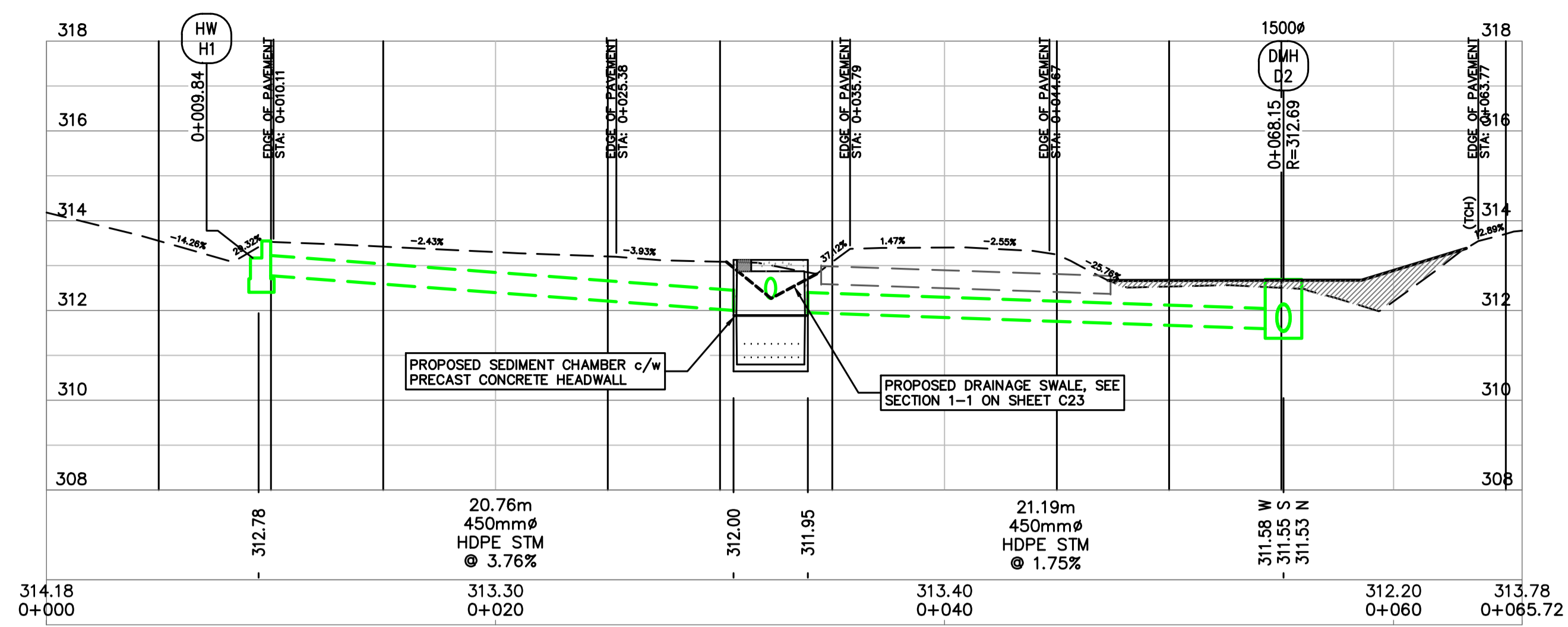
Consultant Signature Only
WEDLER ENGINEERING LLP
Designed by/Concept par
SBR
Drawn by/Dessine par
DBB
PWSC Project Manager/Administrateur de Projets TPSCG
TOM DUNPHY
Regional Manager, Architectural and Engineering Services
Gestionnaire régionale, Services d'architecture et de génie, TPSCG

Drawing title/Titre du dessin
STORM SEWER UPGRADES SECTIONS - WEST 1

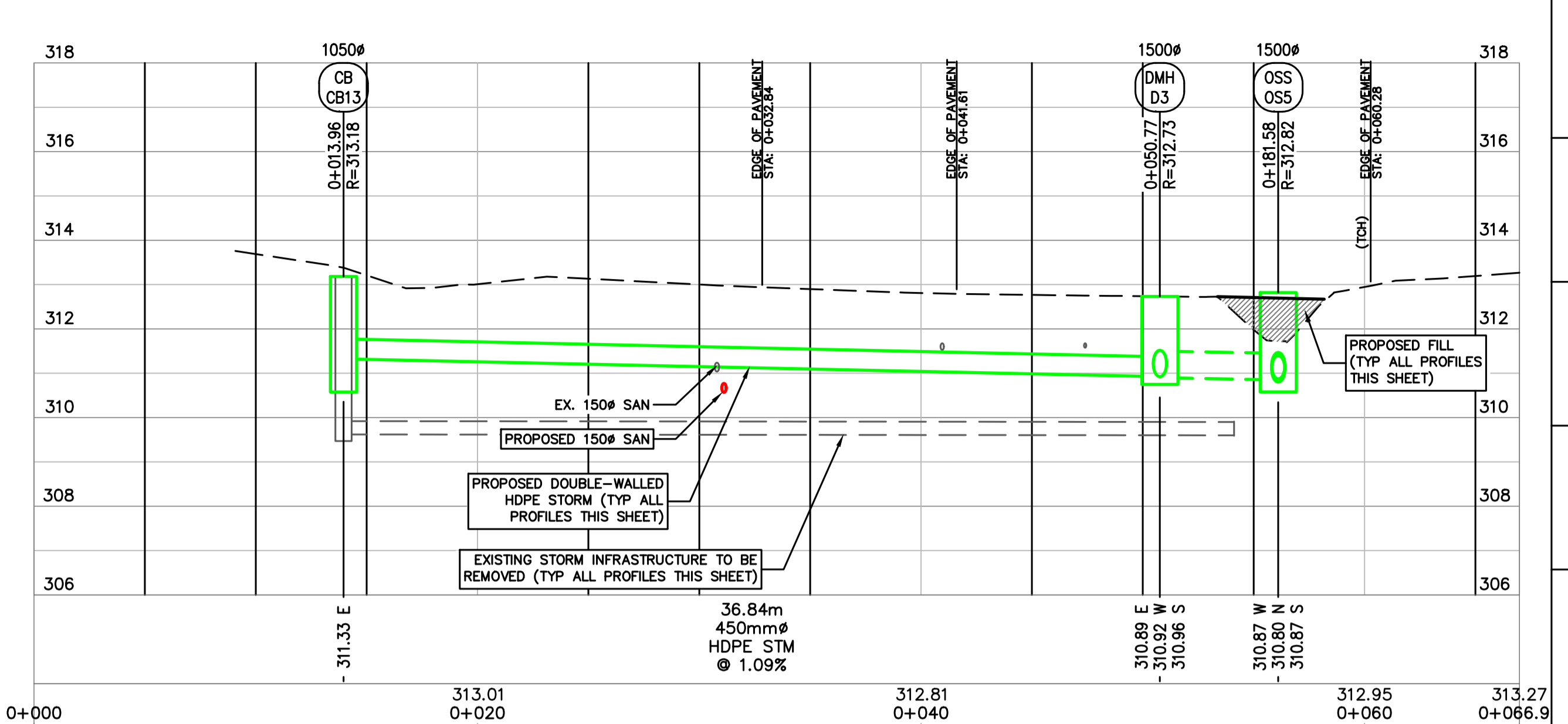
Project No./No. du projet R.076550.001	Sheet/Feuille C23	Revision no./Lo Révision no. 4
--	-----------------------------	--

N:\15\15-0218C - Parks Canada - Glecier Natl Park - Phase 2\Design - Current Drawing Files\15-0218C - Rogers Pass Storm Improvements.dwg, 2017/05/12 10:21:22 AM, borrow, 2017 - WEDLER ENGINEERING LLP - ALL RIGHTS RESERVED - THIS DOCUMENT IS PROTECTED BY COPYRIGHT LAW AND MAY NOT BE REPRODUCED IN ANY MANNER, OR FOR ANY PURPOSE, EXCEPT BY WRITTEN PERMISSION OF COPYRIGHT HOLDER.

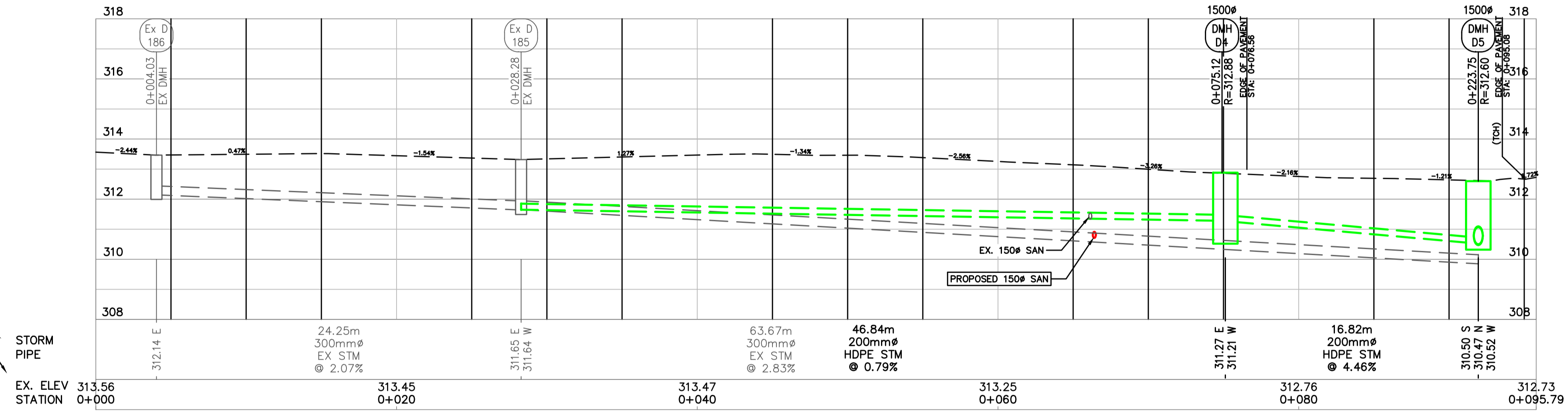




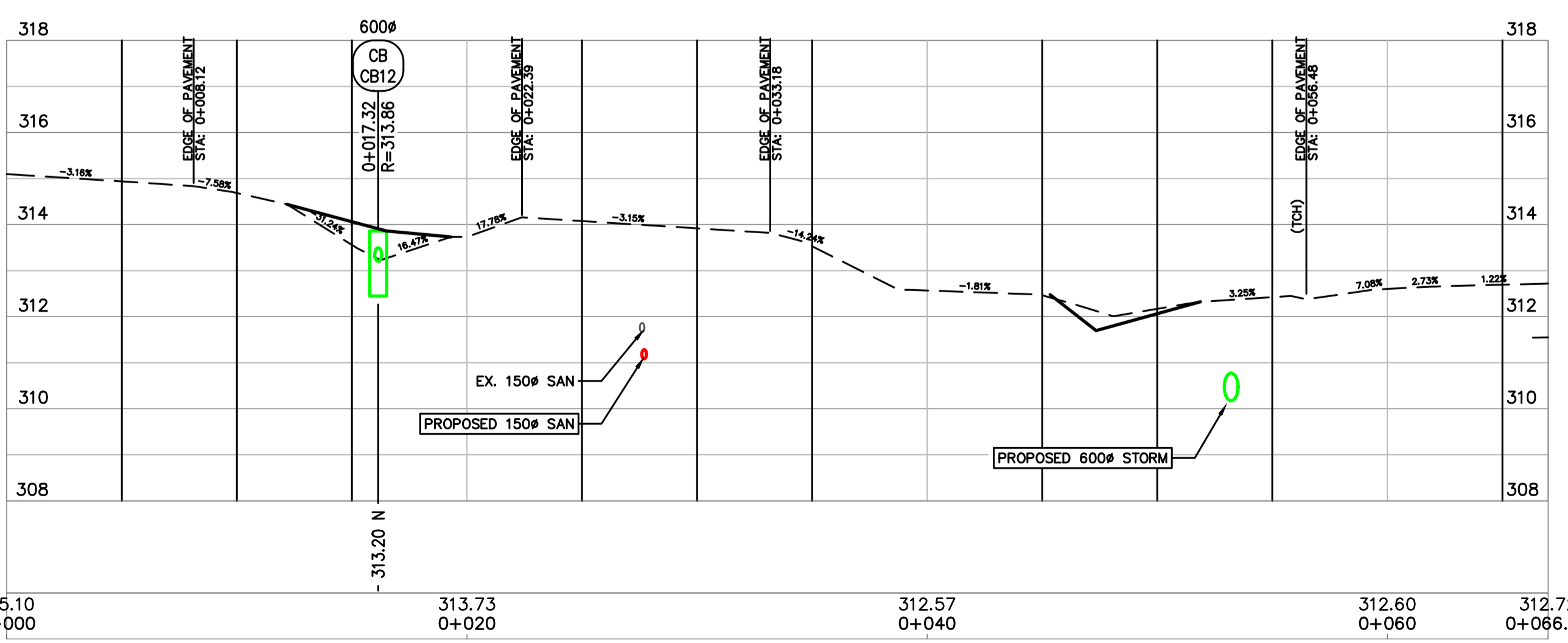
SECTION 3-3
1:200H 1:100V



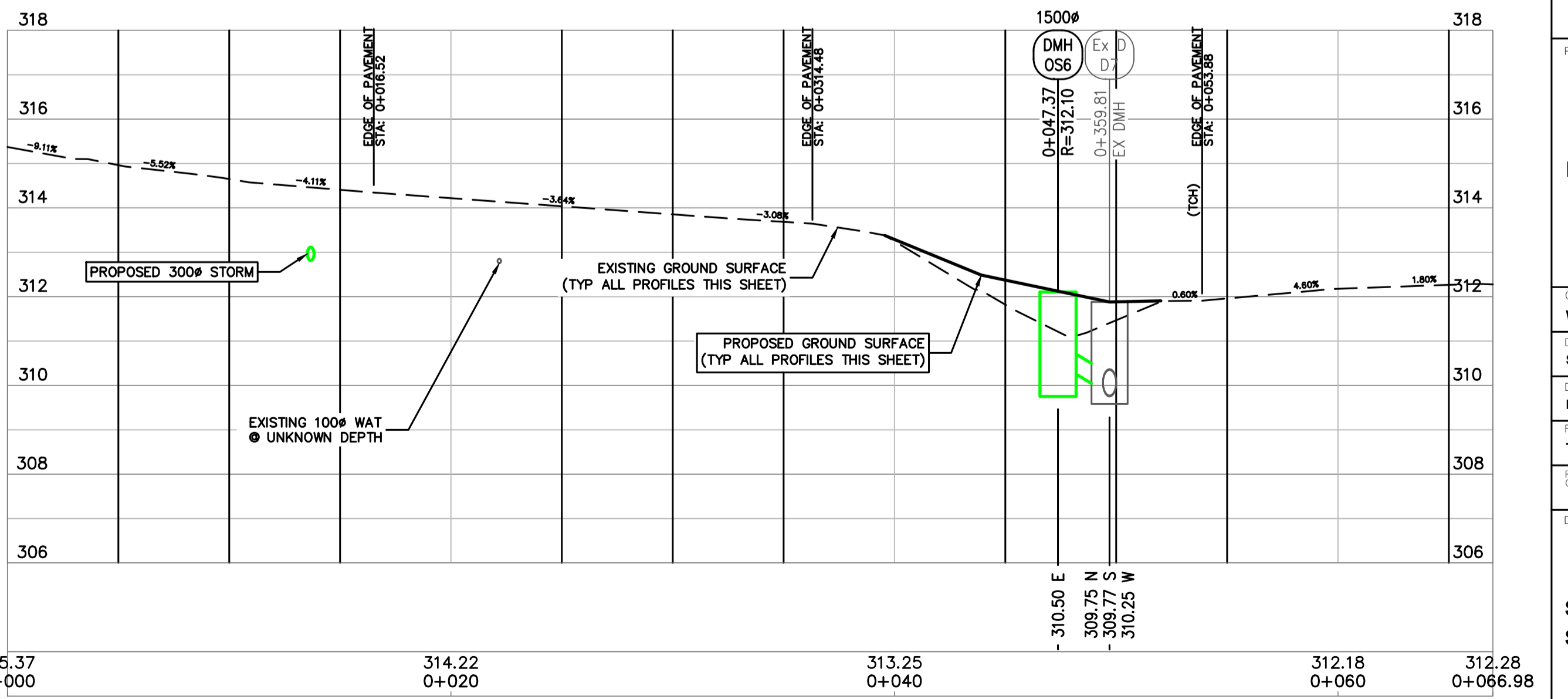
SECTION 4-4
1:200H 1:100V



SECTION 5-5
1:200H 1:100V



SECTION 6-6
1:200H 1:100V



SECTION 7-7
1:200H 1:100V

Revision/Revision	Description/Description	Date/Date
4	REVISED; ISSUED FOR ADDENDUM #1	2017/05/11
3	ISSUED FOR CONSTRUCTION COSTING	2017/01/30
2	65% COMPLETE - ISSUED FOR REVIEW	2016/12/14
1	33% COMPLETE - ISSUED FOR REVIEW	2016/08/19

PUBLIC WORKS AND GOVERNMENT SERVICES CANADA

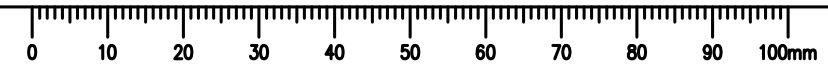
Project title/Titre du projet
PARKS CANADA - ROGERS PASS MAINTENANCE COMPOUND INFRASTRUCTURE IMPROVEMENTS PHASE 2

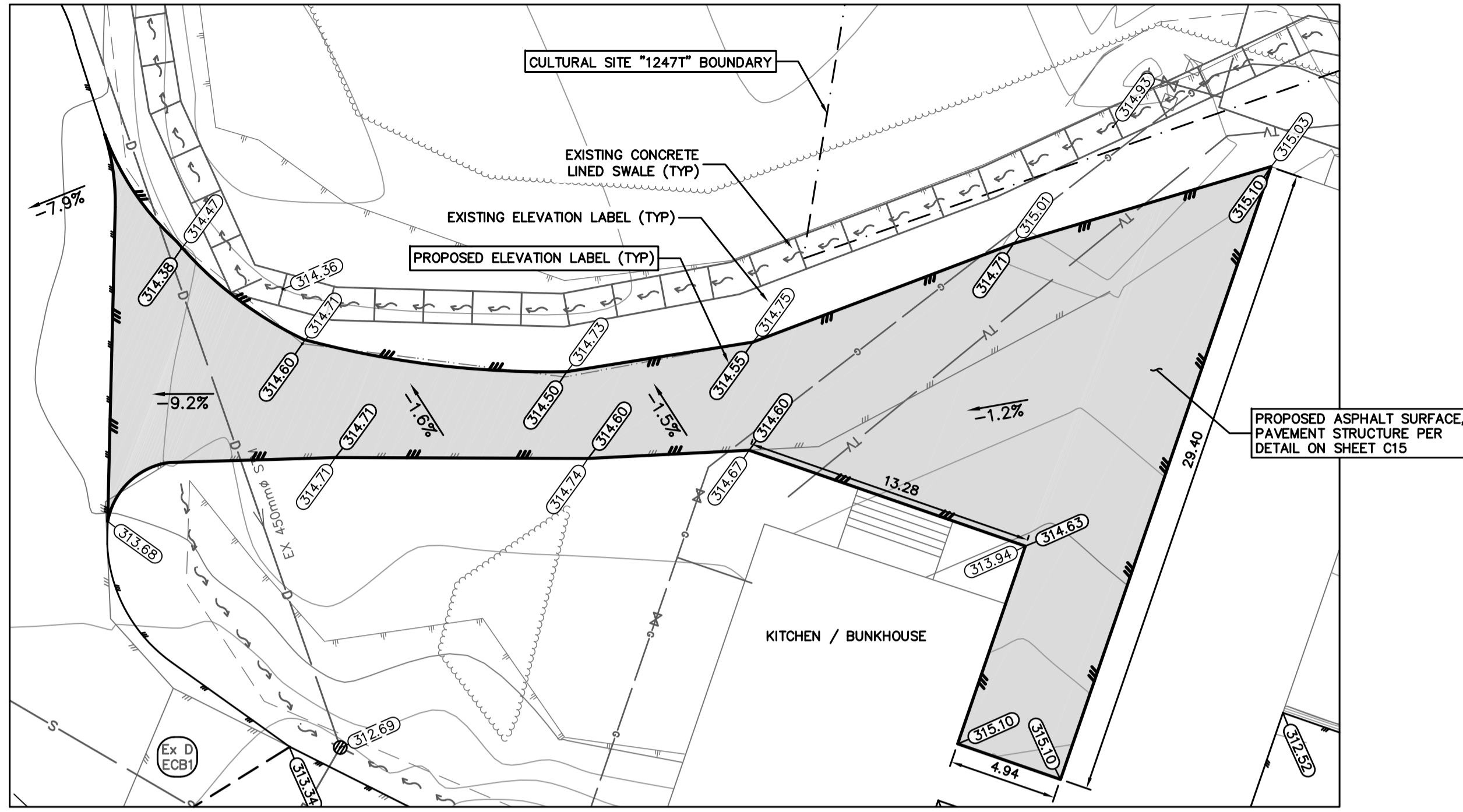
Consultant Signature Only
WEDLER ENGINEERING LLP
Designed by/Concept par
SBR
Drawn by/Dessiné par
DBB
PWSC Project Manager/Administrateur de Projets TPSCG
TOM DUNPHY
Regional Manager, Architectural and Engineering Services
Gestionnaire régionale, Services d'architecture et de génie, TPSCG

Storm Sewer Upgrades Sections - West 2

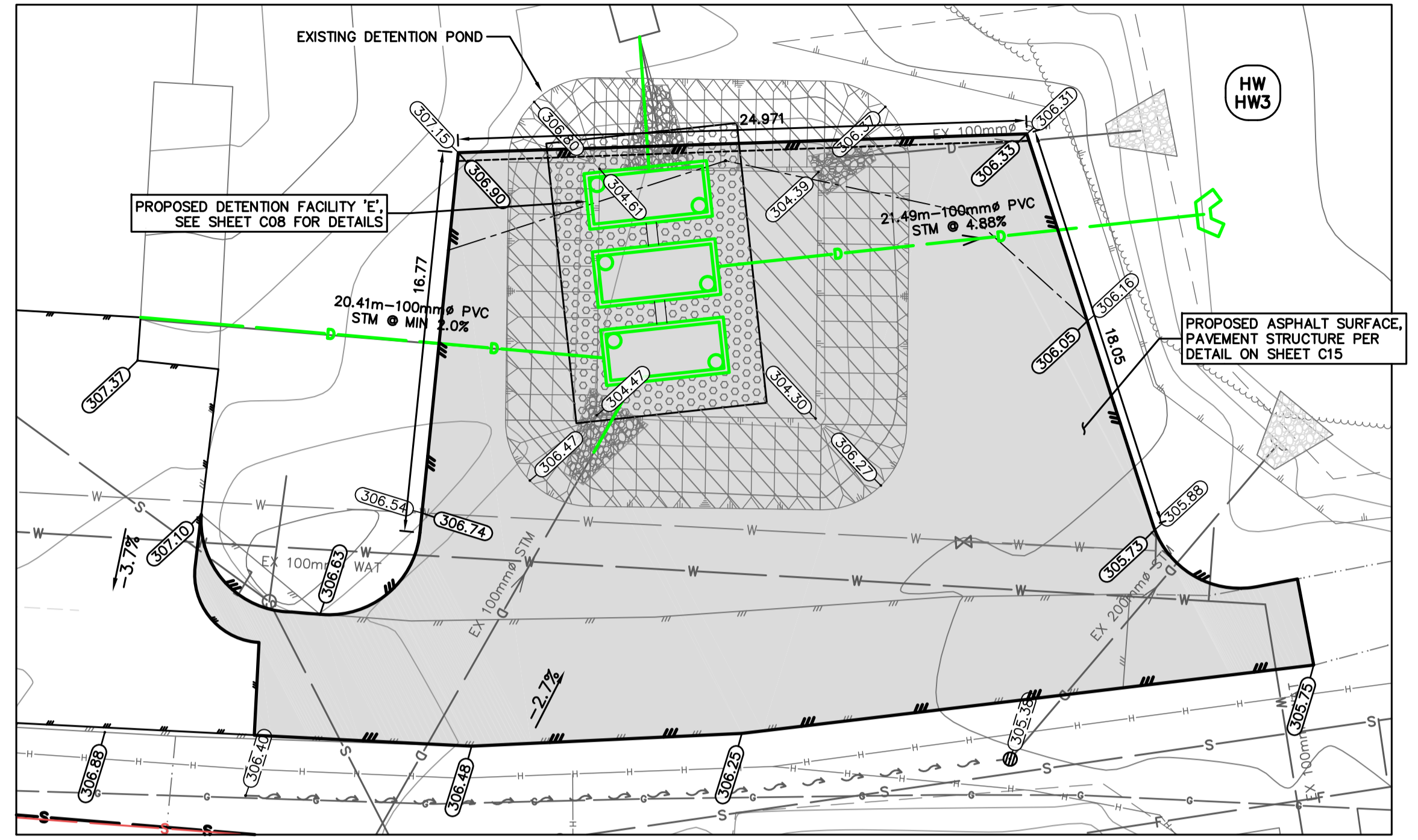
Project No./No. du projet R.076550.001	Sheet/Feuille C24	Revision no./Loi Révision no. 4
--	-----------------------------	---

N:\15\15-0218C - Parks Canada - Glecier North Park - Phase 2\Design - Current Drawing Files\15-0218C - Rogers Pass Storm Improvements.dwg, 2017/05/12 10:21:38 AM, bbarrow, 2017 - WEDLER ENGINEERING LLP - ALL RIGHTS RESERVED - THIS DOCUMENT IS PROTECTED BY COPYRIGHT LAW AND MAY NOT BE REPRODUCED IN ANY MANNER, OR FOR ANY PURPOSE, EXCEPT BY WRITTEN PERMISSION OF COPYRIGHT HOLDER.

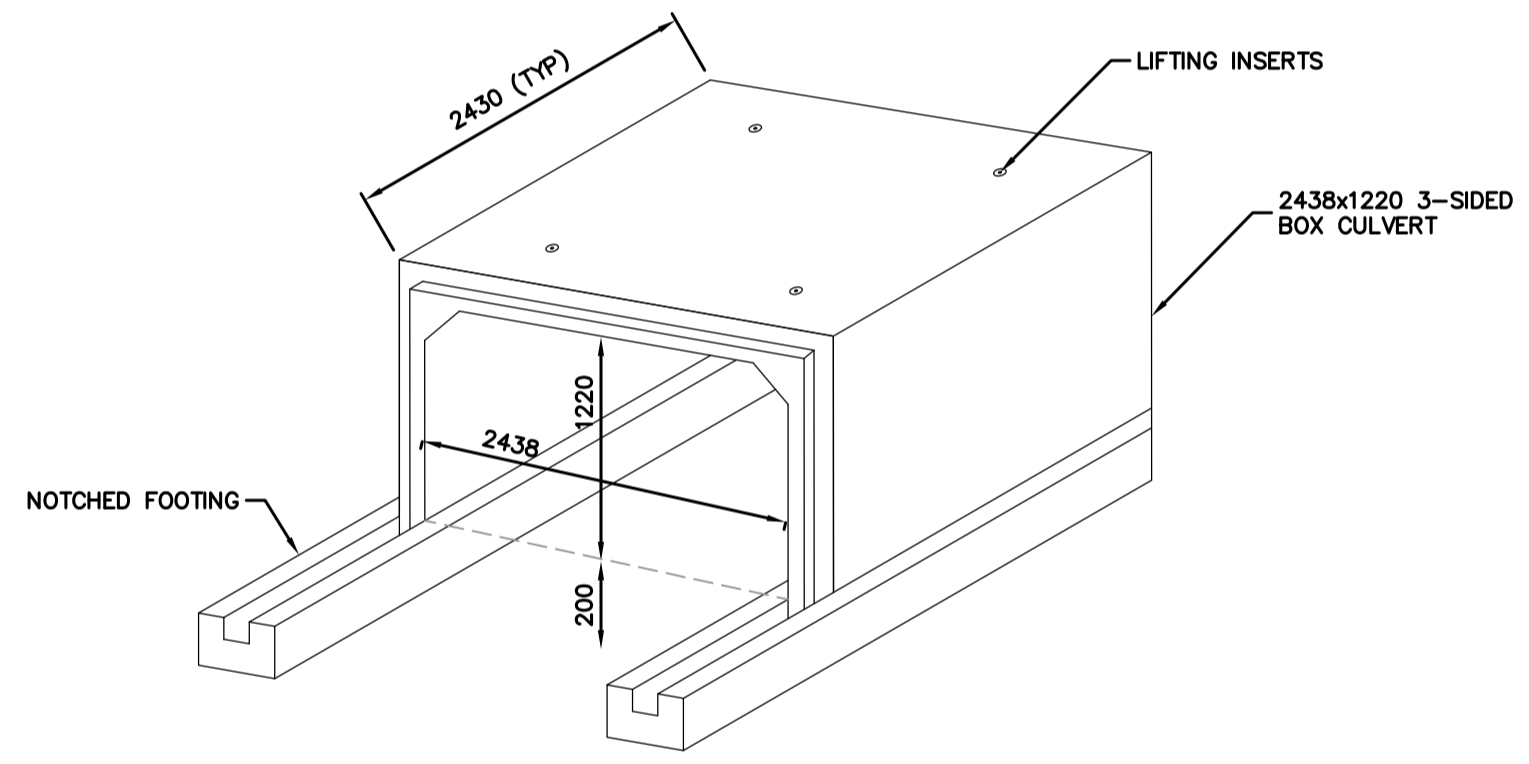




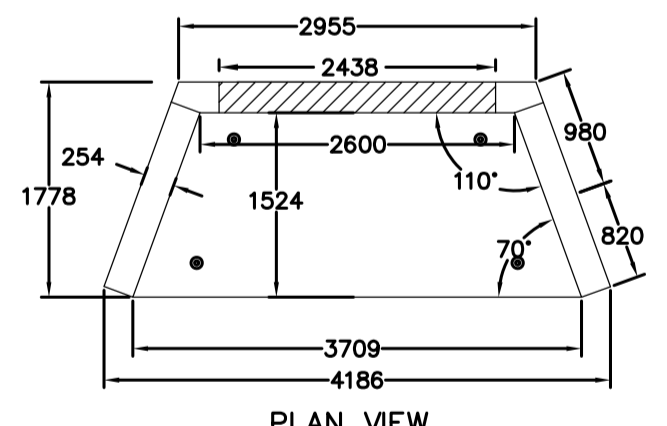
ADDITIONAL PAVING BY KITCHEN/BUNKHOUSE DETAIL
1:200
APPROX. AREA = 460 sq.m



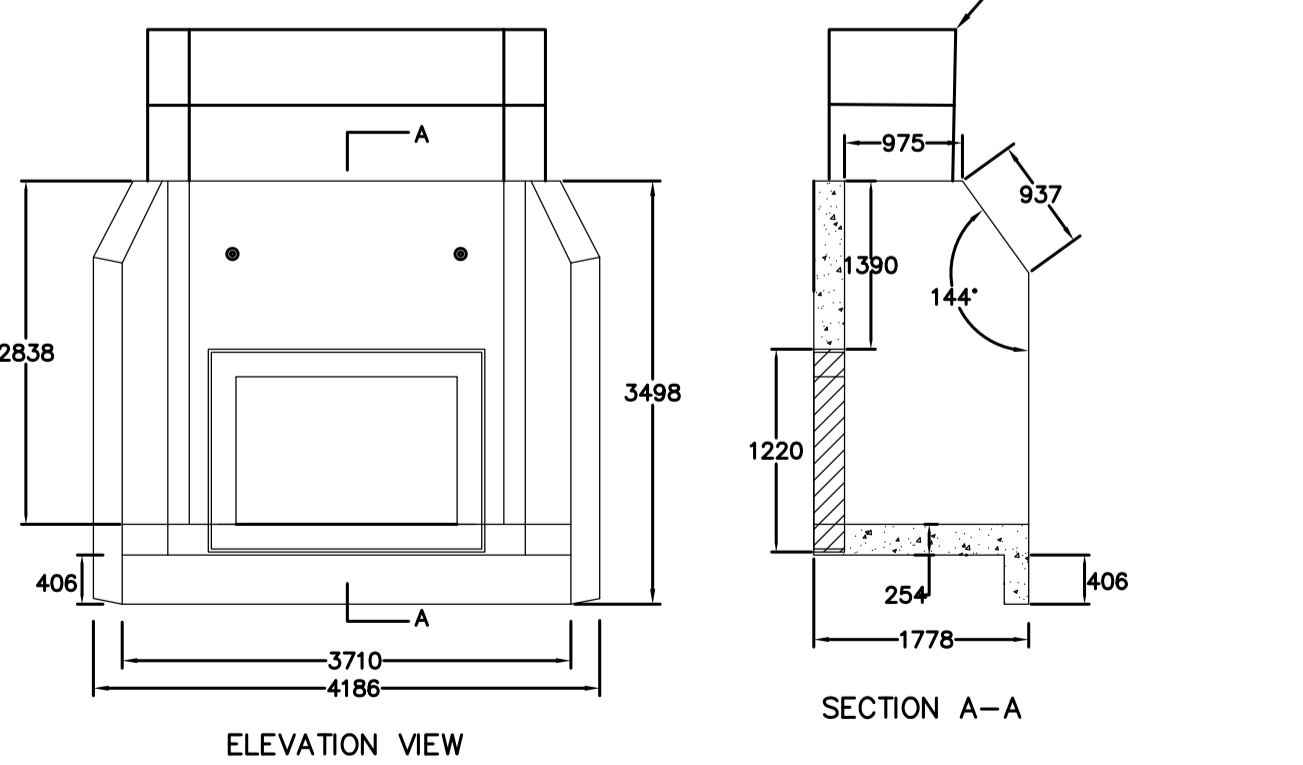
ADDITIONAL PAVING BY DETENTION FACILITY 'E' DETAIL
1:200
APPROX. AREA = 840 sq.m



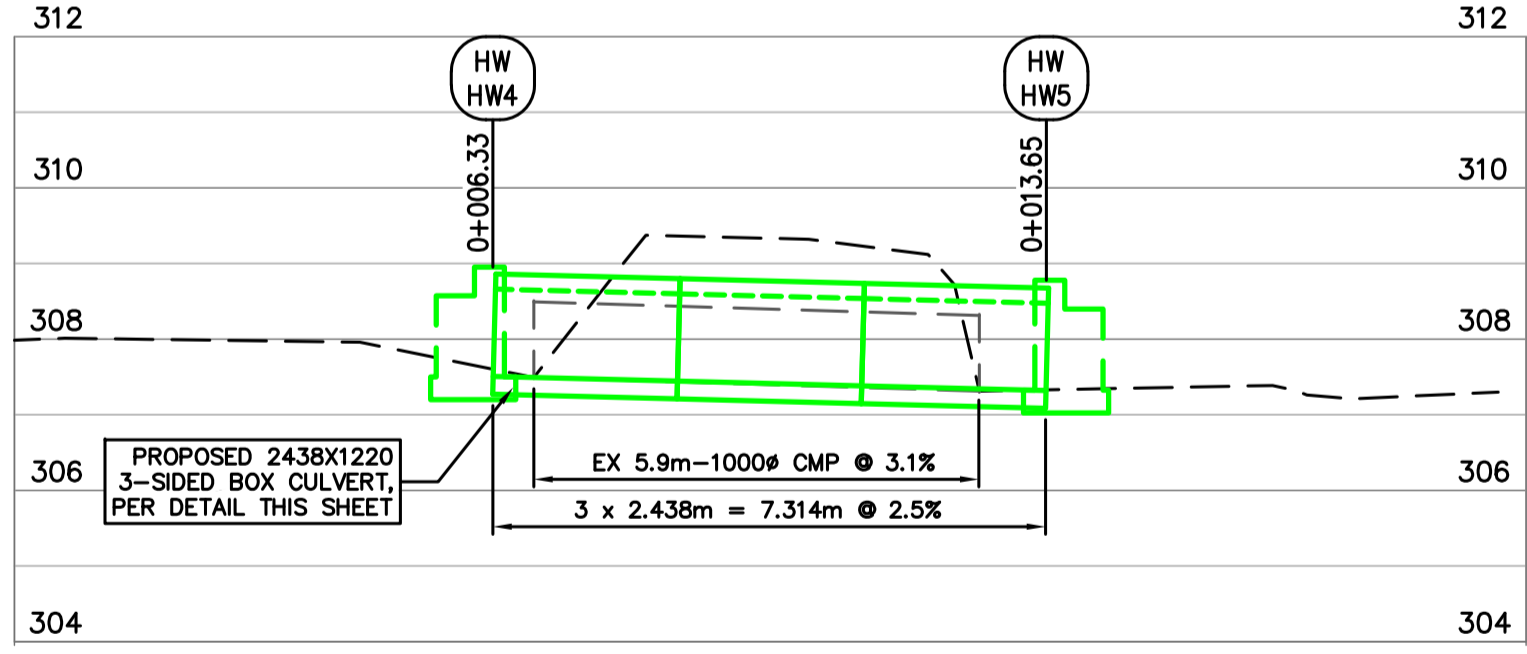
PRECAST 3-SIDED BOX CULVERT DETAIL
1:50



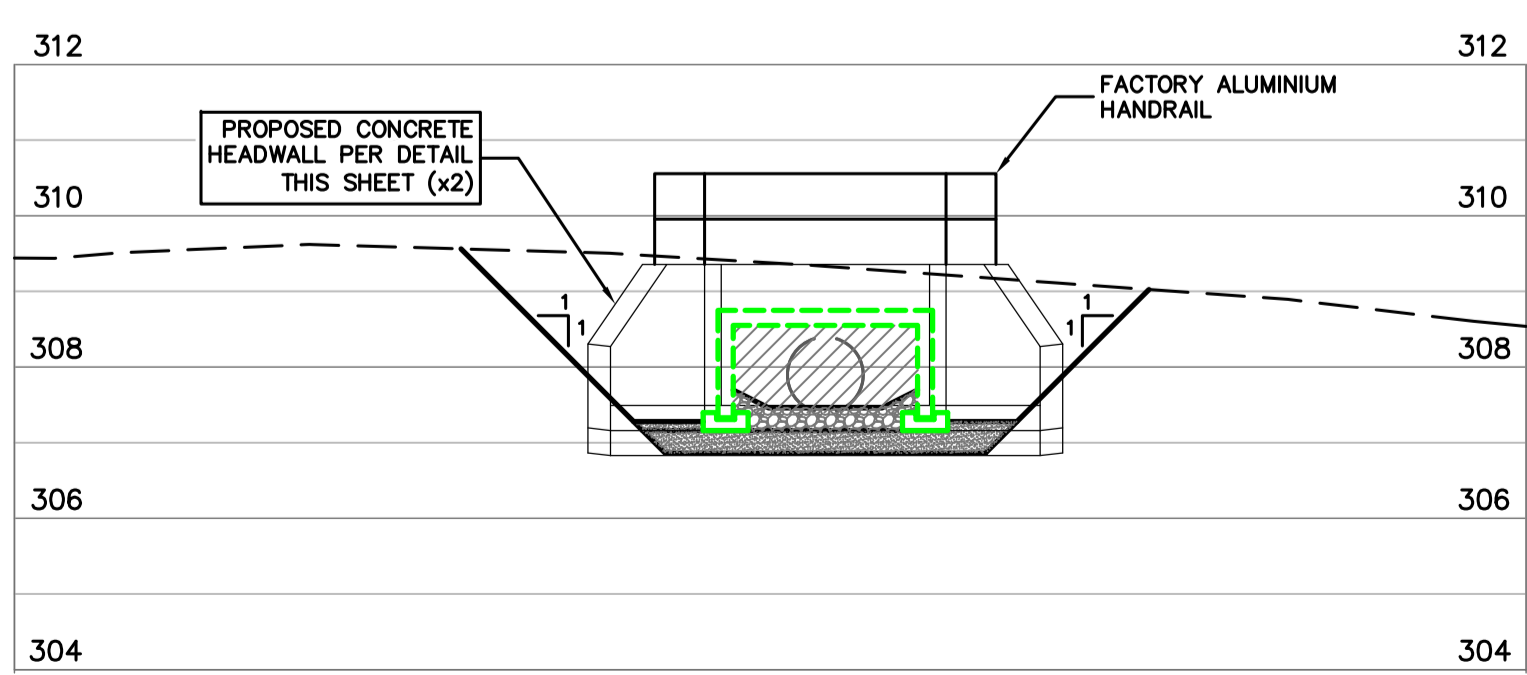
PLAN VIEW



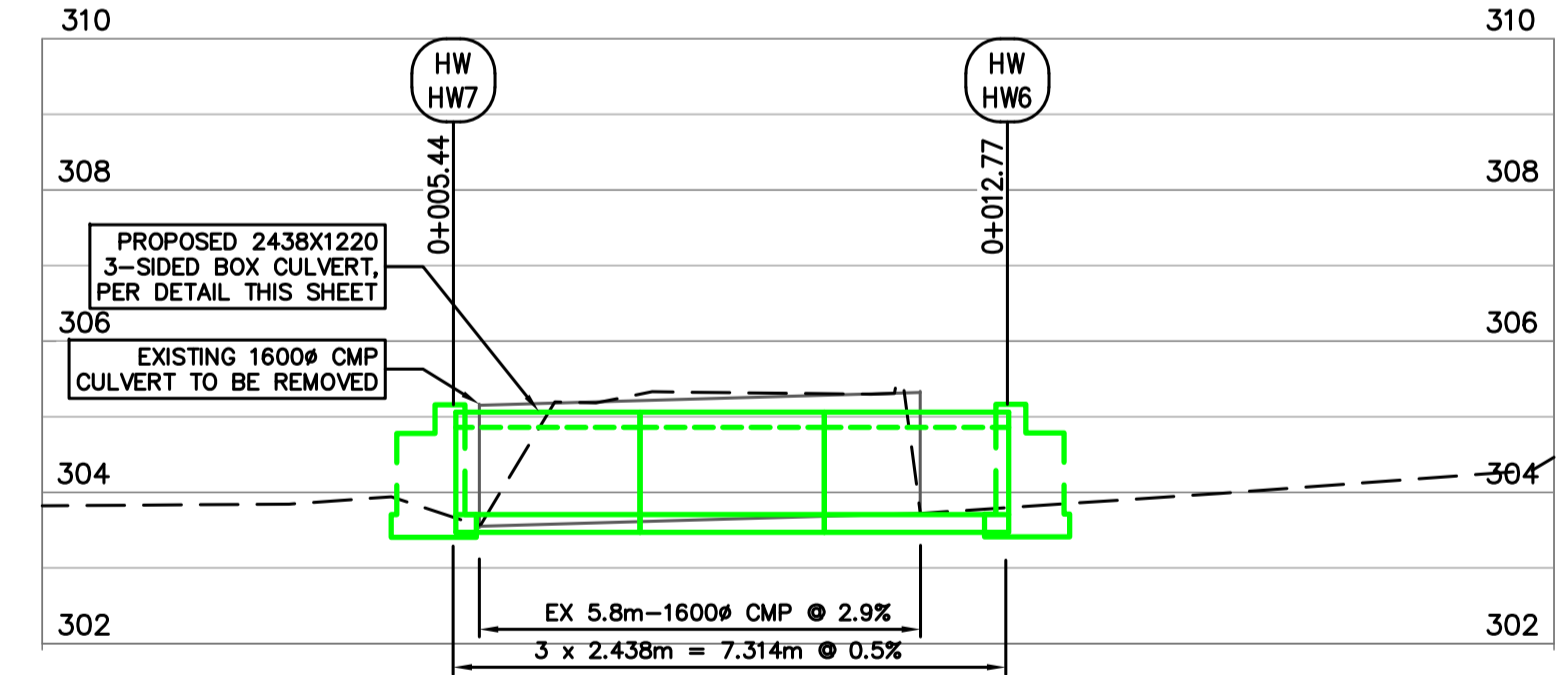
PRECAST 3-SIDED BOX CULVERT HEADWALL DETAIL
NTS



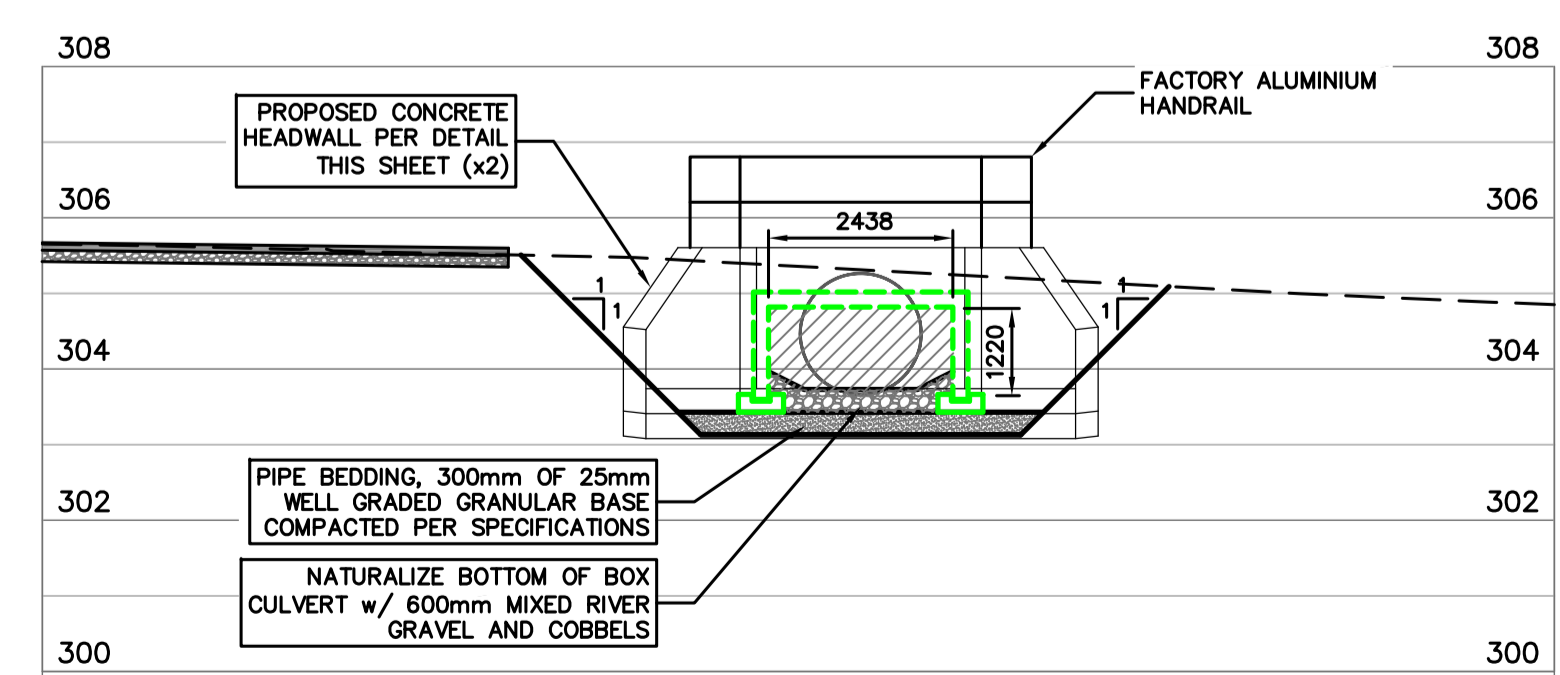
SNOW RESEARCH STATION ACCESS ROAD CULVERT PROFILE
1:100 H 1:100 V



SNOW RESEARCH STATION ACCESS ROAD CULVERT SECTION
1:100 H 1:100 V



SEWAGE LAGOON ACCESS ROAD CULVERT PROFILE
1:100 H 1:100 V



SEWAGE LAGOON ACCESS ROAD CULVERT SECTION
1:100 H 1:100 V

Revision/	Description/Description	Date/Date
4	REVISED, ISSUED FOR ADDENDUM #1	2017/05/11
3	ISSUED FOR CONSTRUCTION COSTING	2017/01/30
2	66% COMPLETE - ISSUED FOR REVIEW	2016/12/14
1	33% COMPLETE - ISSUED FOR REVIEW	2016/08/19

PUBLIC WORKS AND GOVERNMENT SERVICES CANADA

PARKS CANADA - ROGERS PASS MAINTENANCE COMPOUND INFRASTRUCTURE IMPROVEMENTS PHASE 2

Consultant Signature Only
WEDLER ENGINEERING LLP
Designed by/Concept par
SBR
Drawn by/Designe par
DBB
PWSC Project Manager/Administrateur de Projets TPSC
TOM DUNPHY
Regional Manager, Architectural and Engineering Services
Gestionnaire régionale, Services d'architectural et de génie, TPSC

STORMWATER DETENTION TYPICAL DETAILS AND ADDITIONAL PAVING AREAS

Project No./No. du projet	Sheet/Feuille	Revision no./La Révision no.
R.076550.001	C25	4

N:\15\15-0218C - Parks Canada - Glacier Natl Park - Phase 2\Design - Current Drawing Files\15-0218C - Rogers Pass_Storm Improvements.dwg 2017/5/12 10:31:35 AM bborrow 2017 - WEDLER ENGINEERING LLP - ALL RIGHTS RESERVED - THIS DOCUMENT IS PROTECTED BY COPYRIGHT LAW AND MAY NOT BE REPRODUCED IN ANY MANNER, OR FOR ANY PURPOSE, EXCEPT BY WRITTEN PERMISSION OF COPYRIGHT HOLDER.

