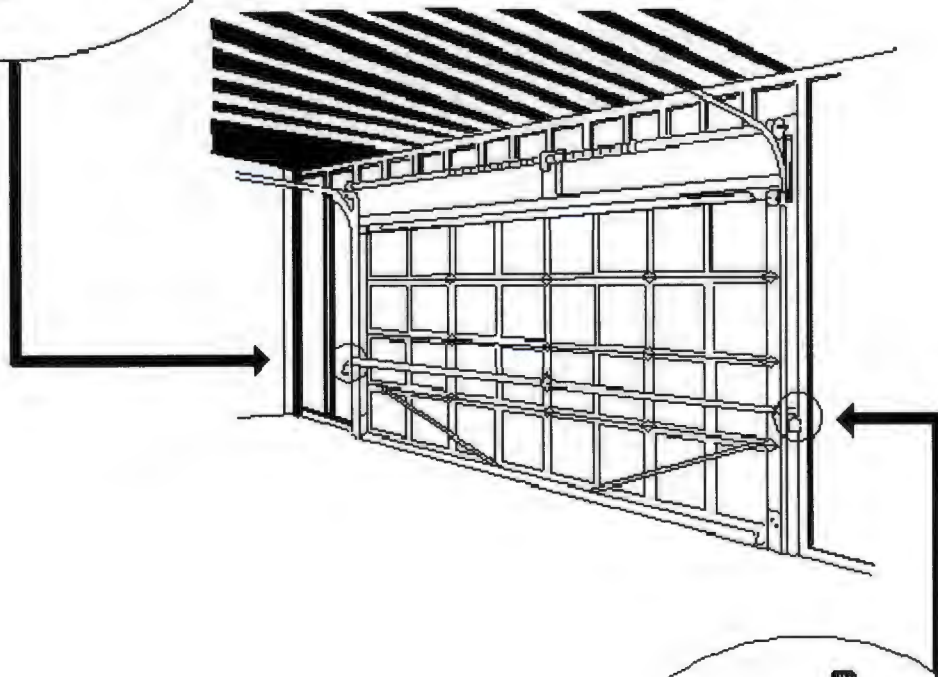


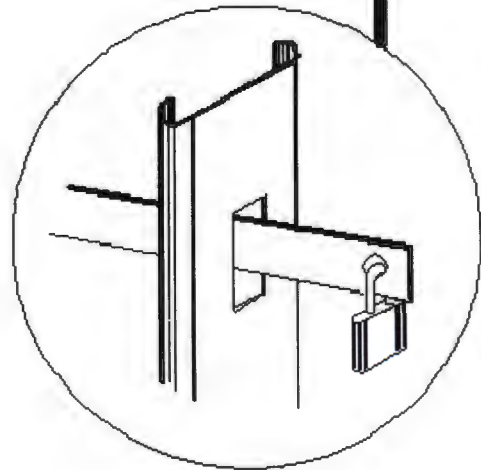
METHOD NO. 1

DRILL HOLE THROUGH
TRACK TO RECEIVE
PADLOCK.



METHOD NO. 2

SECURE BOLT WORK TO
TRACK TO PREVENT
UNLOCKING FROM
INSIDE.



To FIT-UP STANDARDS
DETACHMENT - Garage -
Secure