

PACIFIC RIM NATIONAL PARK WASHROOM BUILDINGS

PACIFIC RIM HWY
UCLUELET, BRITISH COLUMBIA

PLUMBING LEGEND	
SYMBOL	DESCRIPTIONS
--H--H--	EX. PIPING TO BE REMOVED. REMOVE ALL ACCESSIBLE ABANDONED PIPING.
---	DOMESTIC COLD WATER
---	DOMESTIC HOT WATER
---T---	DOMESTIC TEMPERED HOT WATER
---	DOMESTIC HOT WATER RECIRCULATION
---/---	DOMESTIC HOT WATER, HEAT TRACED
---S---	SANITARY DRAIN/SEWER
---ST---	STORM DRAIN/SEWER
---X---	SUBSOIL DRAIN
↑	PIPE RISER
↓	PIPE DROP
---	SANITARY VENT
---	PIPE CAP
+	UNION
+	HOSE BIBB
+	NON-FREEZE WALL HYDRANT
CO	CLEANOUT
⊗	VENT TERMINATION
⊗	ISOLATION VALVE
⊗	CHECK VALVE
⊗	STRAINER
⊗	SOLENOID VALVE
⊗	FLOW MEASUREMENT VALVE (CALIBRATED BALANCING VALVE)
⊗	TEMPERATURE & PRESSURE RELIEF VALVE
⊗	PRESSURE REDUCING VALVE
⊗	PUMP
⊗	AIR VENT
⊗	PRESSURE GAUGE WITH SIPHON
⊗	THERMOMETER
⊗	CONCRETE THRUST BLOCK
⊗	PIPE ANCHOR
⊗	FLEXIBLE PIPE CONNECTOR
⊗	POINT OF CONNECTION
⊗	POINT OF DISCONNECTION
V _{Axx}	EQUIPMENT TAG
XX (XX)	SIZE OF PIPE (FIXTURE UNITS)
⊗	FLOOR DRAIN
⊗	ROOF DRAIN
⊗	CATCH BASIN
⊗	MANHOLE

ABBREVIATIONS	
ABBREV.	DESCRIPTIONS
AFF	ABOVE FINISHED FLOOR
AHJ	AUTHORITY HAVING JURISDICTION
BLDG	BUILDING
CONC.	CONCRETE
DCW	DOMESTIC COLD WATER
DHW	DOMESTIC HOT WATER
DHWH	DOMESTIC HOT WATER HEATER
DHWR	DOMESTIC HOT WATER RECIRCULATION
DIA.	DIAMETER
DN	DOWN
DWG	DRAWING
DWP	DOMESTIC WATER PUMP
ELEV.	ELEVATION
EX.	EXISTING
FD	FLOOR DRAIN
FFD	FUNNEL FLOOR DRAIN
HB	HOSE BIBB
INV.	INVERT
NIC	NOT IN CONTRACT
N.C.	NORMALLY CLOSED
N.O.	NORMALLY OPEN
O.C.	ON CENTRE
OPNG	OPENING
P	PUMP
P.D.	PRESSURE DROP
PRV	PRESSURE REDUCING VALVE
SPEC.	SPECIFICATIONS
TYP.	TYPICAL
U/G	UNDERGROUND
UON	UNLESS OTHERWISE NOTED
UTR	UP THROUGH ROOF
V	VENT
VTR	VENT THROUGH ROOF

MECHANICAL LEGEND	
SYMBOL	DESCRIPTIONS
▭	DUCTWORK
▭	FLEXIBLE DUCT
▭	DUCTWORK C/W 25mm ACOUSTICAL LINER
▭	DUCTWORK C/W 50mm ACOUSTICAL LINER
▭	DUCTWORK C/W 40mm DUCT INSULATION
⊗	SUPPLY DUCT RISER/SECTION
⊗	RETURN/EXHAUST DUCT RISER/SECTION
⊗	OUTDOOR AIR DUCT RISER/SECTION
▭	FLEXIBLE DUCT CONNECTOR
▭	DUCT DROP
▭	DUCT RISE
▭	VOLUME DAMPER
⊗	BACKDRAFT DAMPER
⊗	MOTORIZED DAMPER
→	AIRFLOW DIRECTION
→	RETURN/EXHAUST AIRFLOW DIRECTION
→	SUPPLY AIRFLOW DIRECTION
⊕	THERMOSTAT
⊕	HUMIDISTAT
⊕	MOTION DETECTOR
⊕	MANUAL WALL SWITCH
⊗	DOOR GRILLE (TYPE AS DESIGNATED "X")
V _{Axx}	EQUIPMENT TAG
NO. @ TYPE AIRFLOW SIZE	AIR DISTRIBUTION TAG AIRFLOW: L/S (METRIC) OR CFM (IP.)

ABBREVIATIONS	
ABBREV.	DESCRIPTIONS
AFF	ABOVE FINISHED FLOOR
AHJ	AUTHORITY HAVING JURISDICTION
AL	ALUMINUM
BDD	BACKDRAFT DAMPER
CONC.	CONCRETE
ECUH	CABINET UNIT HEATER
DIA.	DIAMETER
DN	DOWN
DWG	DRAWING
EA, E/A	EXHAUST AIR
ECUH	ELECTRIC CABINET UNIT HEATER
EBH	ELECTRIC BASEBOARD HEATER
EF	EXHAUST FAN
ER	EXHAUST REGISTER
EWH	ELECTRIC WALL HEATER
NIC	NOT IN CONTRACT
N.C.	NORMALLY CLOSED
N.O.	NORMALLY OPEN
OA, O/A	OUTDOOR AIR
O.C.	ON CENTRE
OPNG	OPENING
PRV	PRESSURE REDUCING VALVE
SPEC.	SPECIFICATIONS
TG	TRANSFER GRILLE
TYP.	TYPICAL
UON	UNLESS OTHERWISE NOTED
VD	VOLUME DAMPER



GREENPOINT #1



LONG BEACH NORTH



INCINERATOR ROCK



WICKANINNISH BEACH



LONG BEACH SOUTH



GREENPOINT #4

Revision/Revision	Description/Description	Date/Date
5		
4	ISSUED FOR TENDER-R2	2017/03/03
3	ISSUED FOR TENDER	2016/05/16
2	ISSUED FOR 90% CD	2016/03/10
1	ISSUED FOR 50% CD	2016/02/18
0	ISSUED FOR DD	2016/01/20

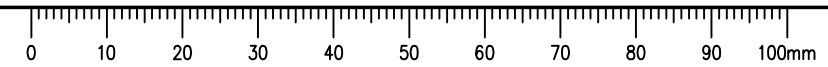
Client/client
PARKS CANADA

Project title/Titre du projet
PACIFIC RIM HIGHWAY

PACIFIC RIM NATIONAL PARK WASHROOM BUILDINGS REPLACEMENT

Consultant Signature Only
Designed by/Concept par
IN
Drawn by/Dessiné par
SE
PWGSC Project Manager/Administrateur de Projets TPSGC
TOM DUNPHY
Regional Manager, Architectural and Engineering Services
Gestionnaire régionale, Services d'architecture et de génie, TPSGC
PREETIPAL PAUL

Drawing title/Titre du dessin
MECHANICAL AND PLUMBING LEGENDS

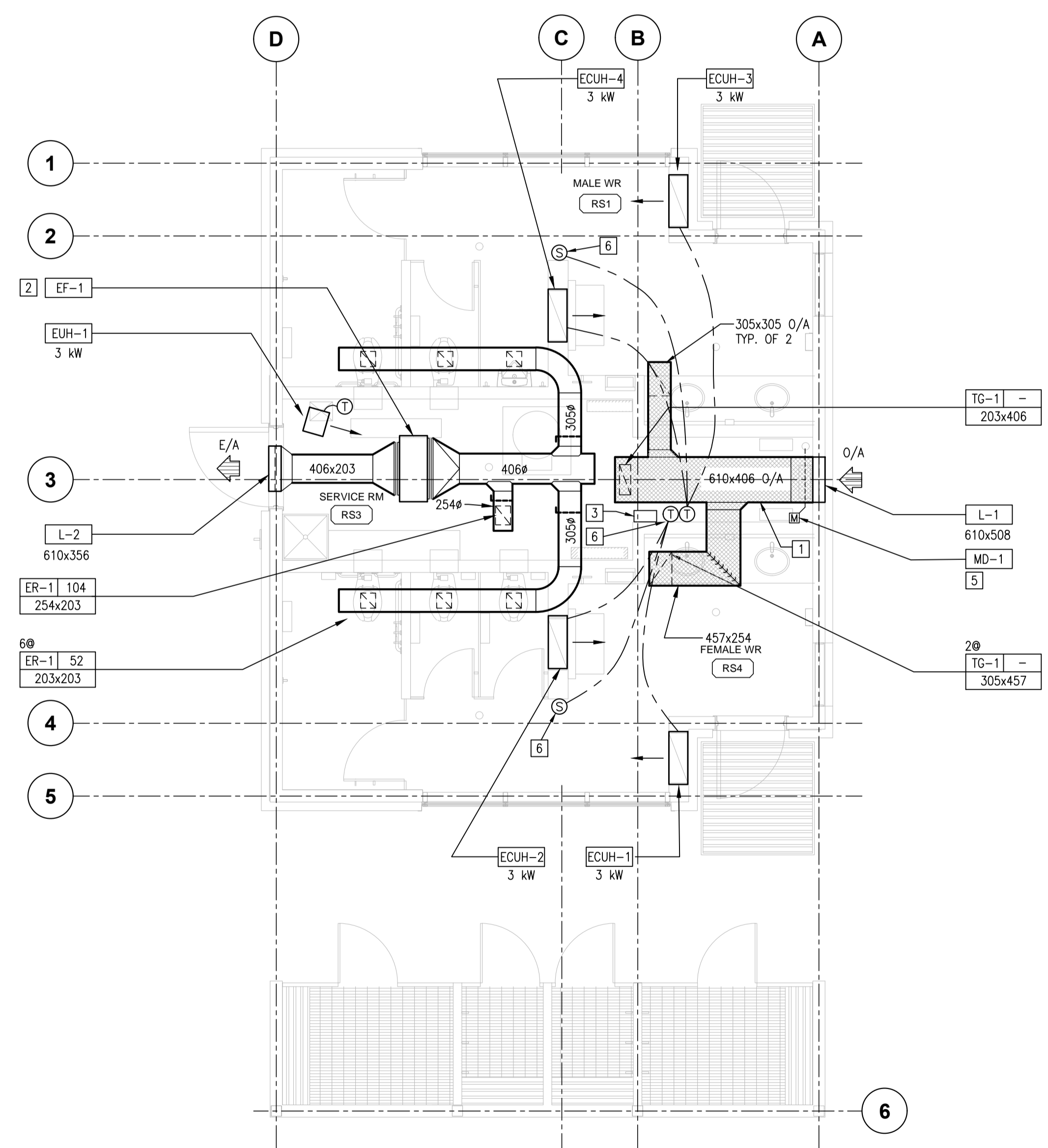


DRAWING NOTES:

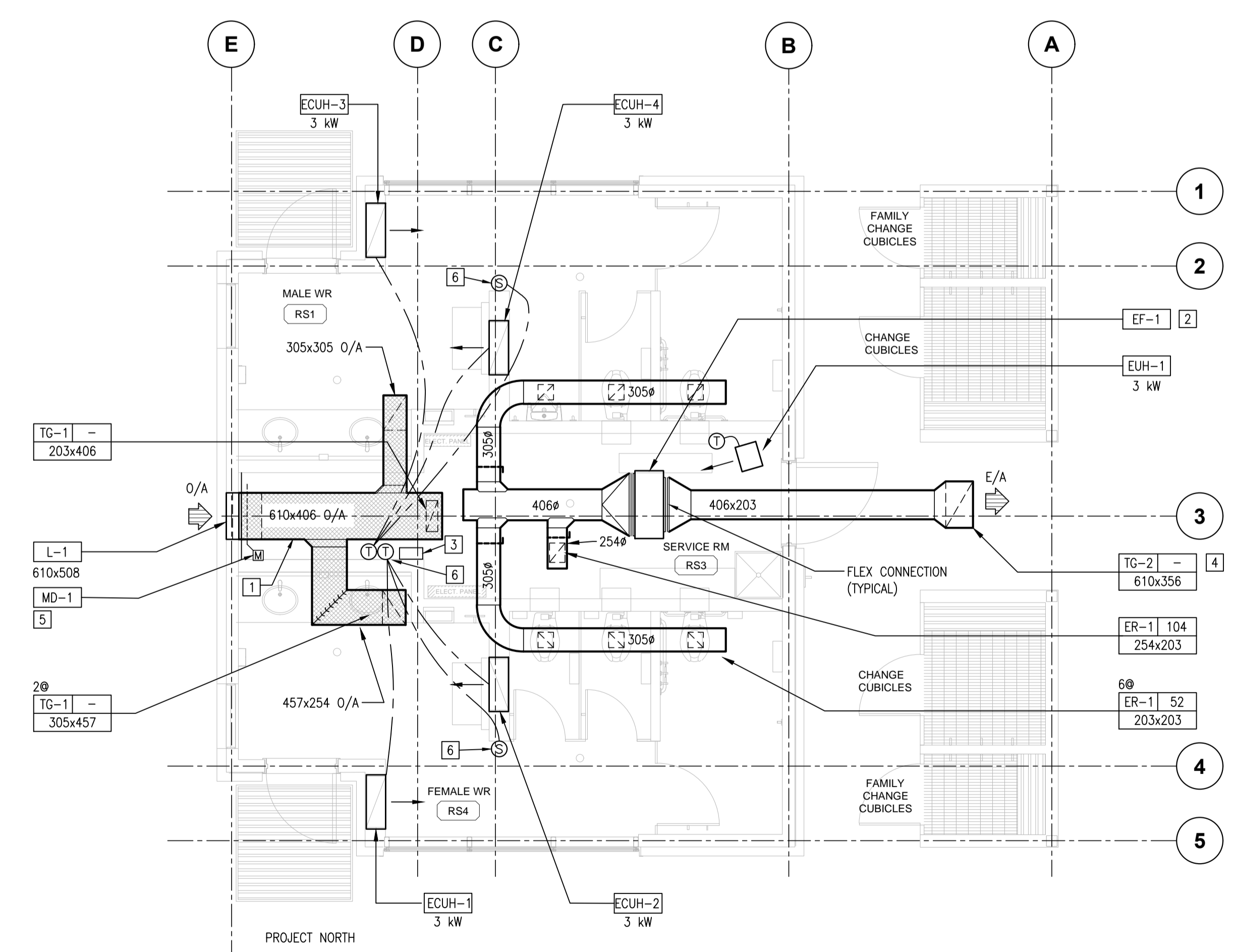
- 1 PROVIDE 50mm INSULATION FOR ALL O/A INTAKE DUCT.
- 2 BOTTOM OF FAN @ ±3,200mm AFF. FAN DIMENSIONS APPROX. 890x375x375. COORDINATE WITH GC TO INCREASE TRUSS SPACING TO FACILITATE FAN INSTALLATION.
- 3 TEMPERATURE CONTROL PANEL. COORDINATE WITH DIV. 26 FOR POWER.
- 4 SOFFIT GRILLE.
- 5 DAMPER ACTUATOR AT BOTTOM OF DUCT (TO BE ACCESSED FROM SERVICE CORRIDOR).
- 6 PROGRAMMABLE LOW VOLTAGE THERMOSTATS AND TRANSFORMERS ARE TO BE HOUSED IN THE CONTROL PANEL LOCATED IN THE SERVICE ROOM. MOUNT REMOTE SENSORS IN WASHROOMS AND SHOWER ROOMS @ 1500mm AFF.

GENERAL NOTES:

1. ALL DUCTWORK ON MAIN FLOOR TO BE INSTALLED WITHIN TRUSS SPACES. REFER TO ARCHITECTURAL AND STRUCTURAL DRAWINGS. COORDINATE INSTALLATION WITH GENERAL CONTRACTOR.



INCINERATOR ROCK TYPE 'A-1' FLOOR PLAN - MECHANICAL
1:50



- LONG BEACH NORTH - TYPE 'A' FLOOR PLAN - MECHANICAL
1:50
- LONG BEACH SOUTH - TYPE 'A' FLOOR PLAN - MECHANICAL
1:50
- WICKANINNIISH BEACH - TYPE 'A' FLOOR PLAN - MECHANICAL
1:50



2017-05-12

Revision/	Description/Description	Date/Date
5		
4	ISSUED FOR TENDER-R2	2017/03/03
3	ISSUED FOR TENDER	2016/05/16
2	ISSUED FOR 99% CD	2016/03/10
1	ISSUED FOR 50% CD	2016/02/18
0	ISSUED FOR DD	2016/01/25

Client/client
PARKS CANADA

Project title/Titre du projet
**PACIFIC RIM HIGHWAY
PACIFIC RIM NATIONAL PARK
WASHROOM BUILDINGS
REPLACEMENT**

Consultant Signature Only
Designed by/Concept par
IN
Drawn by/Dessine par
SE
PWGSC Project Manager/Administrateur de Projets TPSGC
TOM DUNPHY
Regional Manager, Architectural and Engineering Services
Gestionnaire régionale, Services d'architecture et de génie, TPSGC
PREETIPAL PAUL

Drawing title/Titre du dessin
**TYPE A & TYPE A-1 FLOOR PLANS
-MECHANICAL**

Project No./No. du projet R.078666.001	Sheet/Feuille M-1 OF 9	Revision no./Lo Révision no. 4
--	-------------------------------------	--





2017-05-12

Revision/	Description/Description	Date/Date
5		
4	ISSUED FOR TENDER-R2	2017/03/03
3	ISSUED FOR TENDER	2016/05/16
2	ISSUED FOR 99% CD	2016/03/10
1	ISSUED FOR 50% CD	2016/02/18
0	ISSUED FOR DD	2016/01/25

Client/client

PARKS CANADA

Project title/Titre du projet

PACIFIC RIM HIGHWAY

PACIFIC RIM NATIONAL PARK WASHROOM BUILDINGS REPLACEMENT

Consultant Signature Only

Designed by/Concept par

IN

Drawn by/Dessiné par

SE

PWGC Project Manager/Administrateur de Projets TPSGC

TOM DUNPHY

Regional Manager, Architectural and Engineering Services / Gestionnaire régionale, Services d'architectural et de génie, TPSGC

PREETIPAL PAUL

Drawing title/Titre du dessin

GREENPOINT #1 & #4 TYPE 'B' FLOOR PLANS & CRAWLSPACE PLANS

- MECHANICAL

Project No./No. du projet

R.078666.001

Sheet/Feuille

M-2

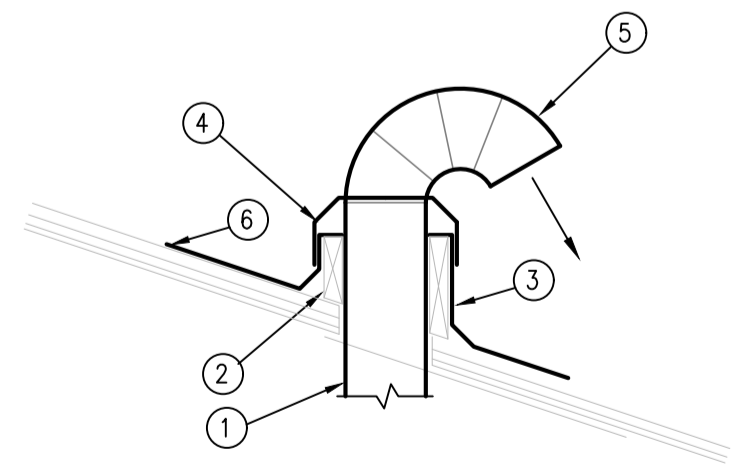
OF 9

Revision no./Lo Révision no.

4

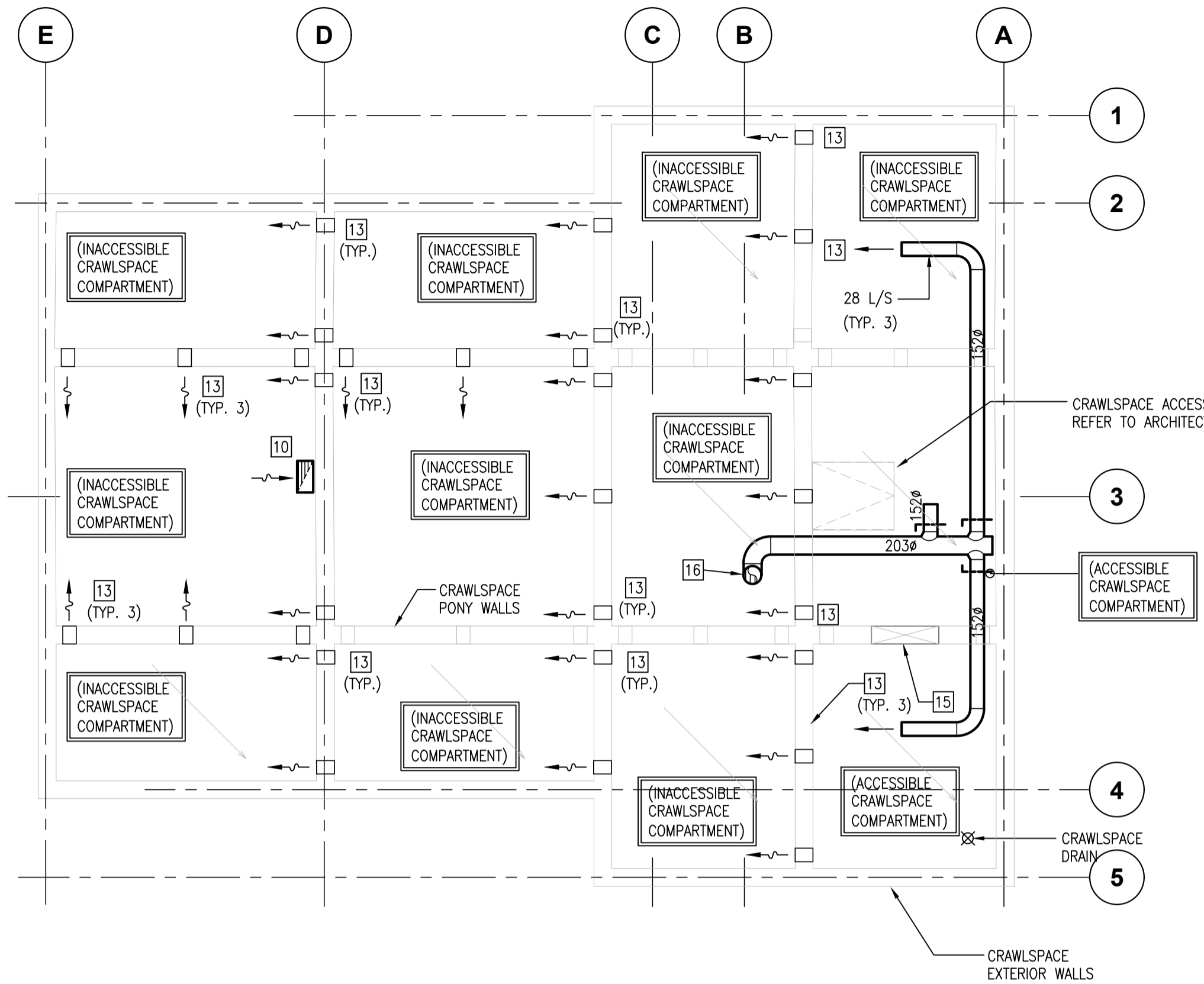
DRAWING NOTES:

- 1 PROVIDE 50mm INSULATION FOR ALL O/A INTAKE DUCT.
- 2 BOTTOM OF FAN @ ±3,200mm AFF. FAN DIMENSIONS APPROX. 850x375x375. COORDINATE WITH GC TO INCREASE TRUSS SPACING TO FACILITATE FAN INSTALLATION.
- 3 TEMPERATURE CONTROL PANEL. COORDINATE WITH DIV. 26 FOR POWER.
- 4 BOTTOM OF LOUVRE @ ±3,200mm AFF.
- 5 PROVIDE 12mm MESH SCREEN BEHIND AIR INTAKE GRILLE. INSTALL GRILLE WITH BLADES POINTING TOWARDS BUILDING.
- 6 DUCTWORK FROM SHOWER ROOMS SHALL BE OF ALUMINUM CONSTRUCTION.
- 7 MOTORIZED DAMPER ACTUATOR AT BOTTOM OF DUCT (TO BE ACCESSED FROM SERVICE CORRIDOR).
- 8 178x356 RELIEF AIR DUCT FROM CRAWLSPACE. BOTTOM OF RELIEF AIR GRILLE @ 300mm AFF.
- 9 203ø S/A DUCT DOWN TO CRAWLSPACE VENTILATION, 85 L/S.
- 10 178x356 RELIEF AIR DUCT UP THRU ROOF C/W GOOSENECK. REFER TO DETAIL ON THIS DRAWING.
- 11 ELECTRIC DUCT HEATER. MAINTAIN CLEARANCE IN FRONT OF CONTROL PANEL.
- 12 CRAWLSPACE VENTILATION FAN TO RUN CONTINUOUSLY.
- 13 WEEP HOLE (150x75) AT BOTTOM OF PONY WALL FOR TRANSFER AIR AND DRAINAGE.
- 14 PROGRAMMABLE LOW VOLTAGE THERMOSTATS AND TRANSFORMERS ARE TO BE HOUSED IN THE TEMPERATURE CONTROL PANEL LOCATED IN THE SERVICE ROOM. MOUNT REMOTE SENSORS IN WASHROOMS AND SHOWER ROOMS @ 1500mm AFF.
- 15 WALL OPENING TO ACCESS ADJACENT CRAWLSPACE COMPARTMENT. SEE ARCH/STRUCT. DWGS.
- 16 203ø CRAWLSPACE S/A DUCT FROM SUPPLY FAN IN SERVICE ROOM ABOVE.
- 17 PROVIDE ELECTRICAL WALL HEATER, 1.5 KW, FULLY RECESSED.
- 18 PROVIDE SUMP PUMP CONTROL PANEL AS SPECIFIED ON DRAWING P-5.

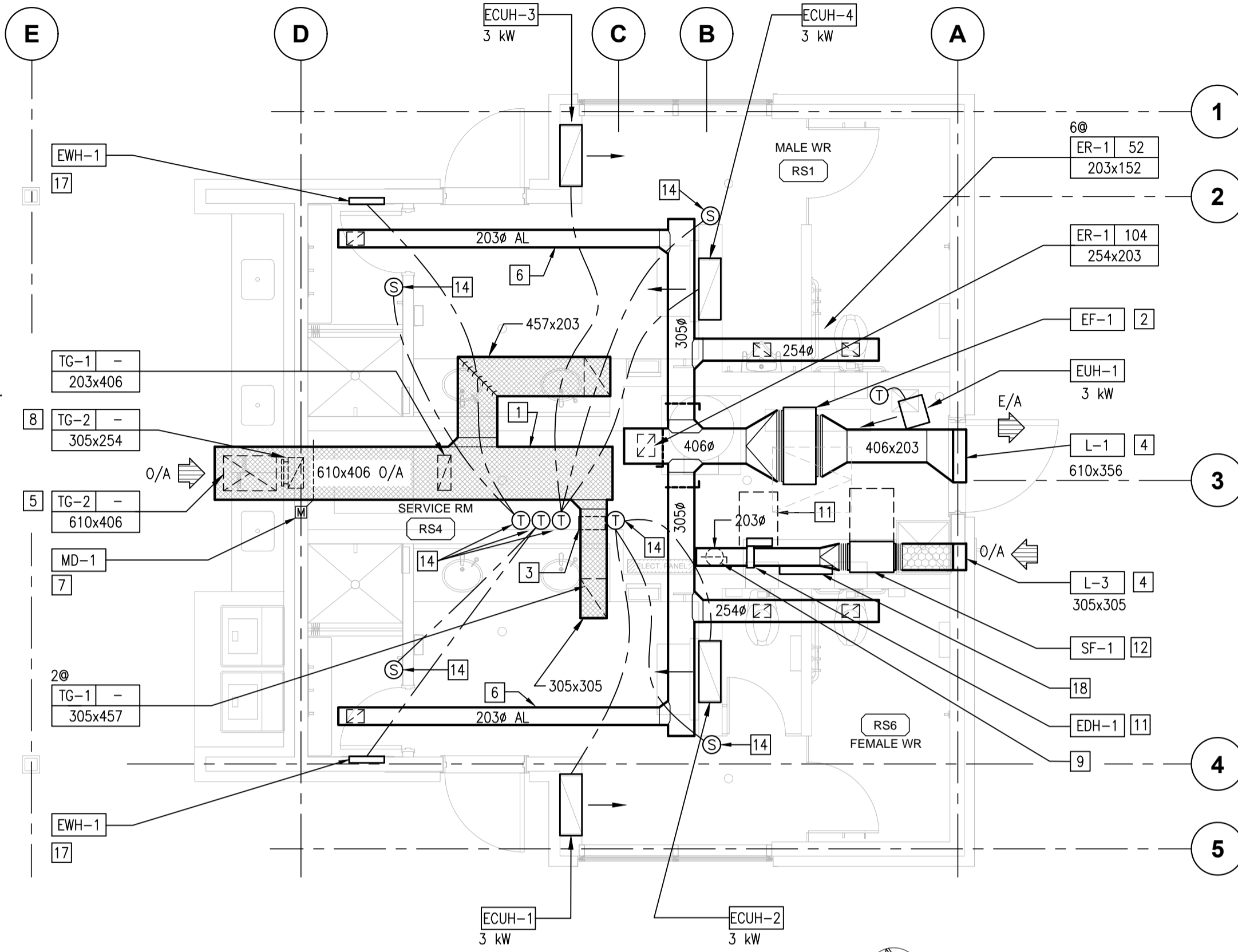


1. DUCT. SIZE AS NOTED ON PLAN.
2. ARRANGE WITH GENERAL CONTRACTOR FOR OPENING THROUGH ROOF TO ACCOMMODATE DUCT.
3. 12" HIGH MIN. ROOF CURB AND FLASHING.
4. SQUARE CURB CAP TO SMACNA STANDARDS.
5. WATER TIGHT ELBOW WITH MESH BIRDSCREEN ON DISCHARGE TO SMACNA STANDARDS.
6. FLASHING TO EXTEND UP UNDER ROOFING MATERIAL TO ROOFING CONTRACTORS STANDARDS.

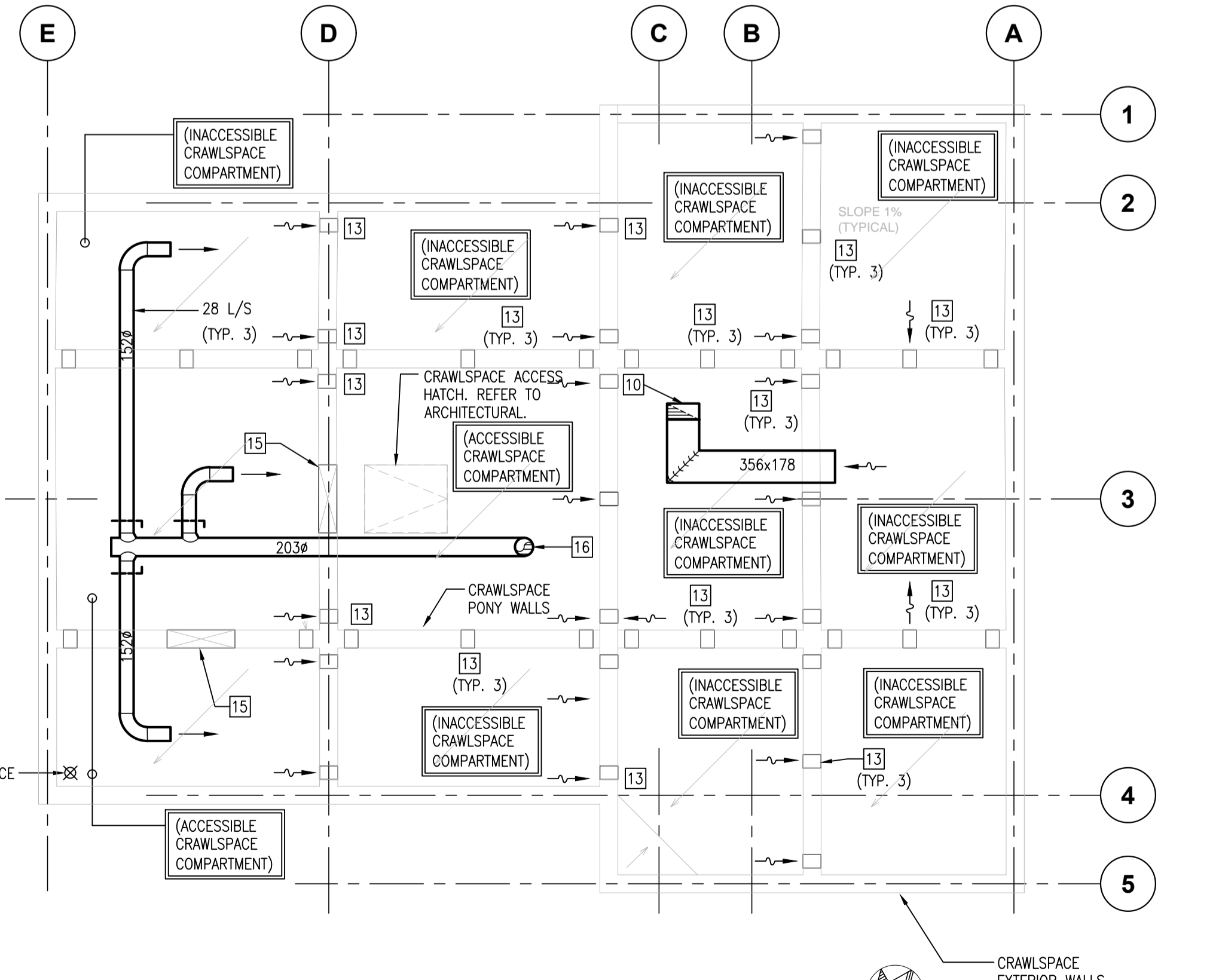
GOOSENECK
N.T.S.



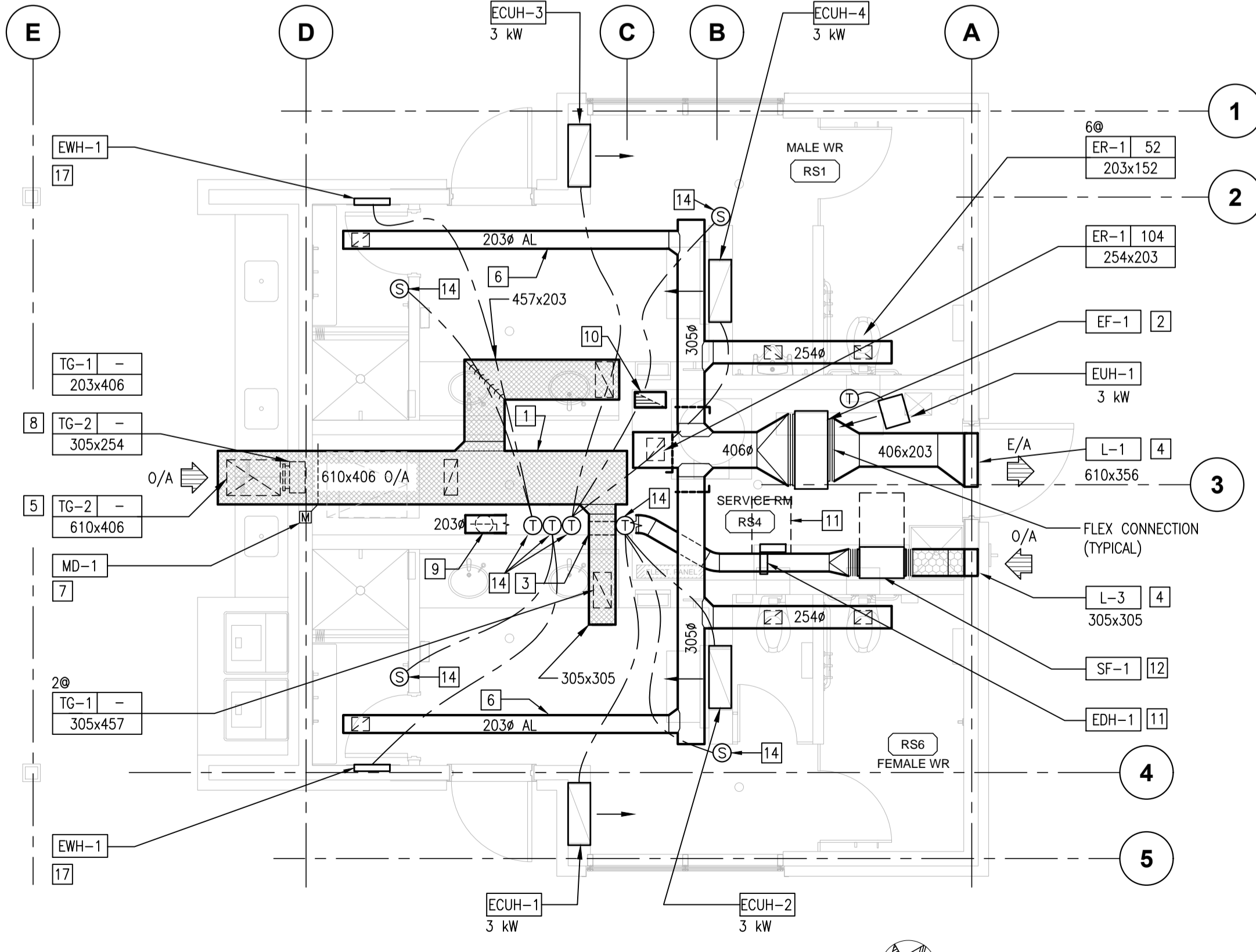
GREENPOINT #1 - TYPE 'B' CRAWLSPACE PLAN - MECHANICAL
1:50
PROJECT NORTH



GREENPOINT #1 - TYPE 'B' FLOOR PLAN - MECHANICAL
1:50
PROJECT NORTH



GREENPOINT #4 - TYPE 'B' CRAWLSPACE PLAN - MECHANICAL
1:50
PROJECT NORTH



GREENPOINT #4 - TYPE 'B' FLOOR PLAN - MECHANICAL
1:50
PROJECT NORTH





2017-05-12

5		
4	ISSUED FOR TENDER-R2	2017/03/03
3	ISSUED FOR TENDER	2016/05/16
2	ISSUED FOR 99% CD	2016/03/10
1	ISSUED FOR 50% CD	2016/02/16
0	ISSUED FOR DD	2016/01/20

Revision/	Description/Description	Date/Date
-----------	-------------------------	-----------

Client/client
PARKS CANADA

Project title/Titre du projet
**PACIFIC RIM HIGHWAY
PACIFIC RIM NATIONAL PARK
WASHROOM BUILDINGS
REPLACEMENT**

Consultant Signature Only

Designed by/Concept par
IN

Drawn by/Dessiné par
SE

PWGSC Project Manager/Administrateur de Projets TPSGC
TOM DUNPHY

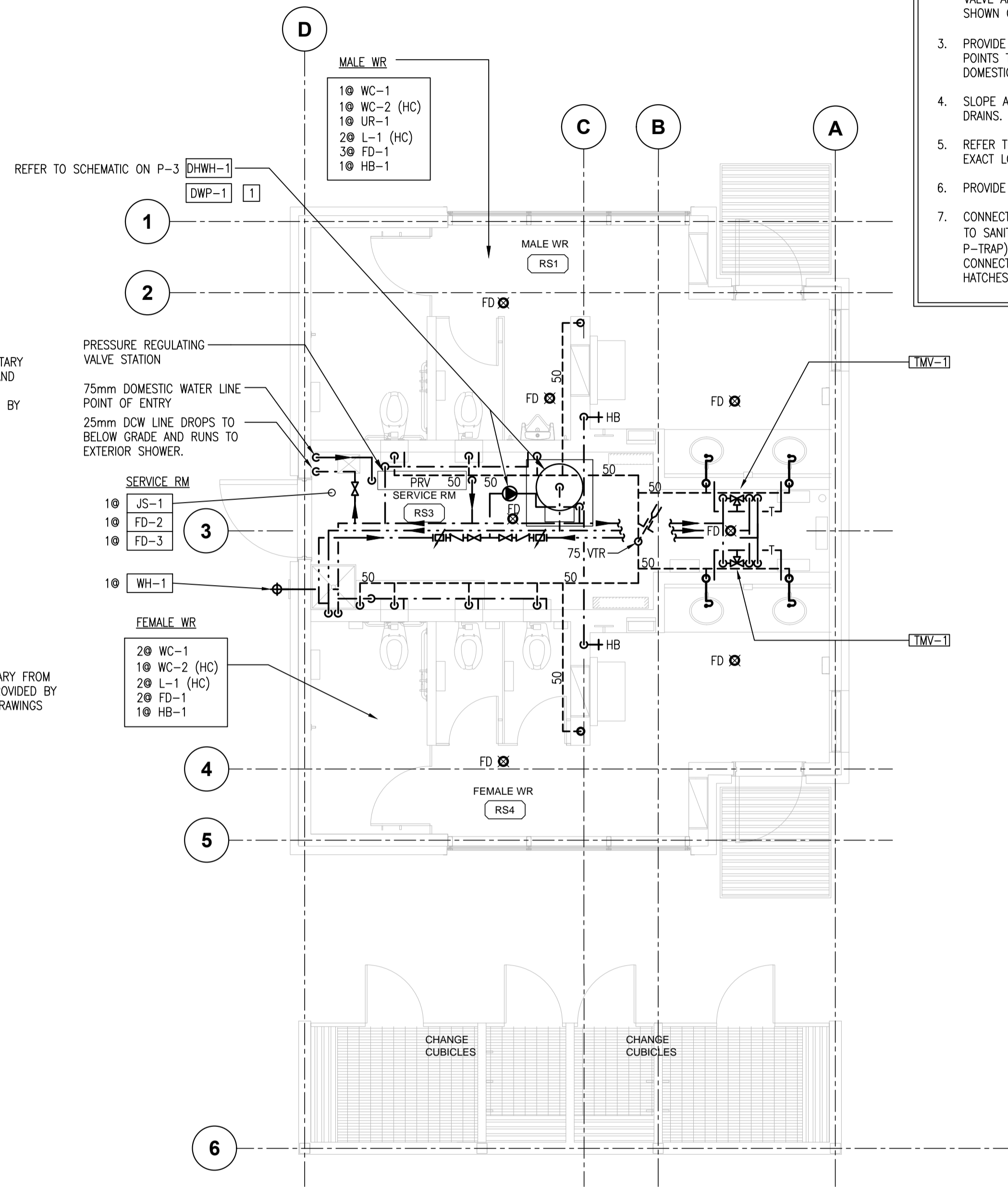
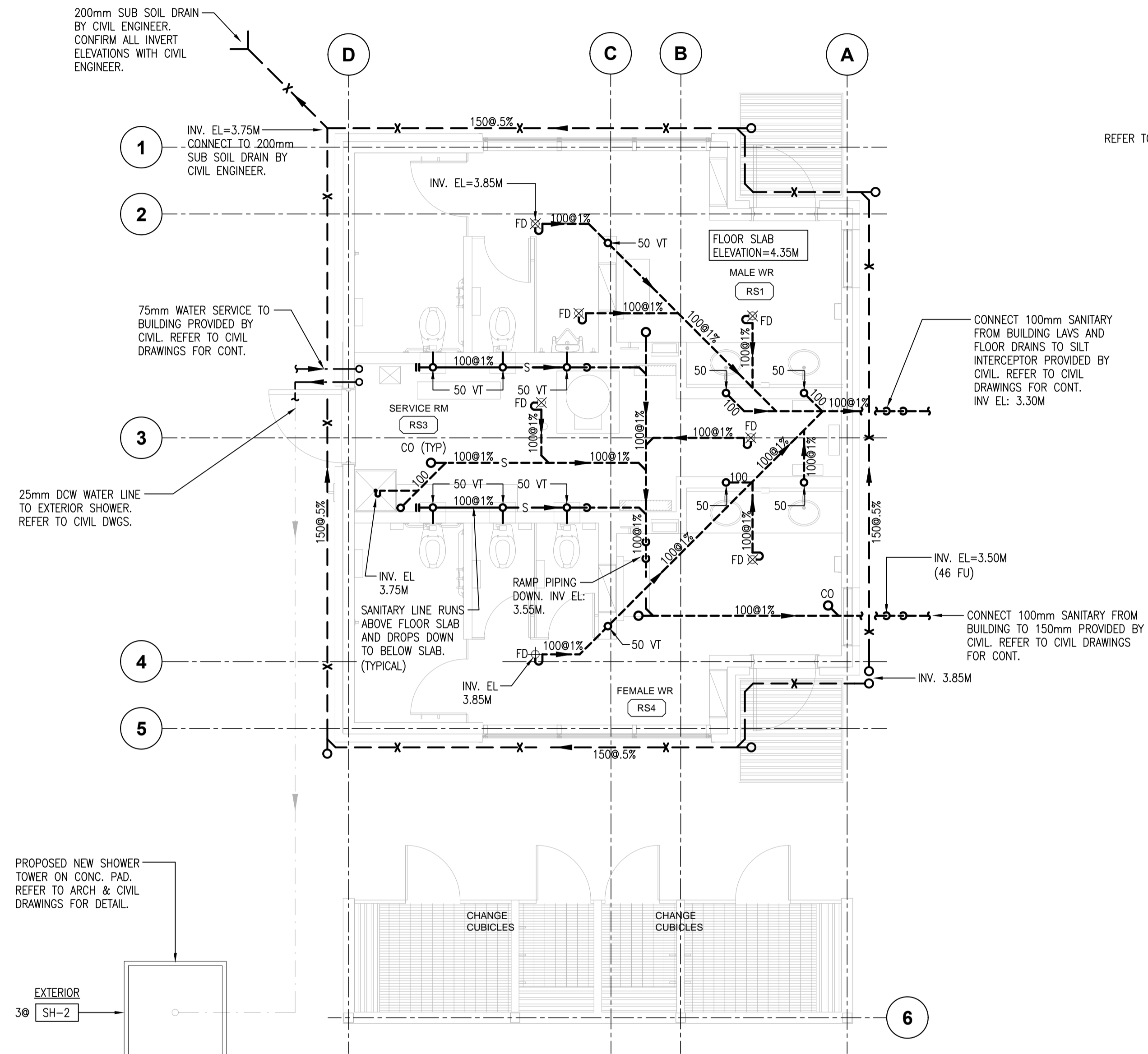
Regional Manager, Architectural and Engineering Services
Gestionnaire régionale, Services d'architecture et de génie, TPSGC
PREETIPAL PAUL

Drawing title/Titre du dessin
**INCINERATOR ROCK -
UNDERGROUND & PLUMBING**

Project No./No. du projet R.078666.001	Sheet/Feuille P-1 OF 9	Revision no./La Révision no. 4
--	-------------------------------------	--

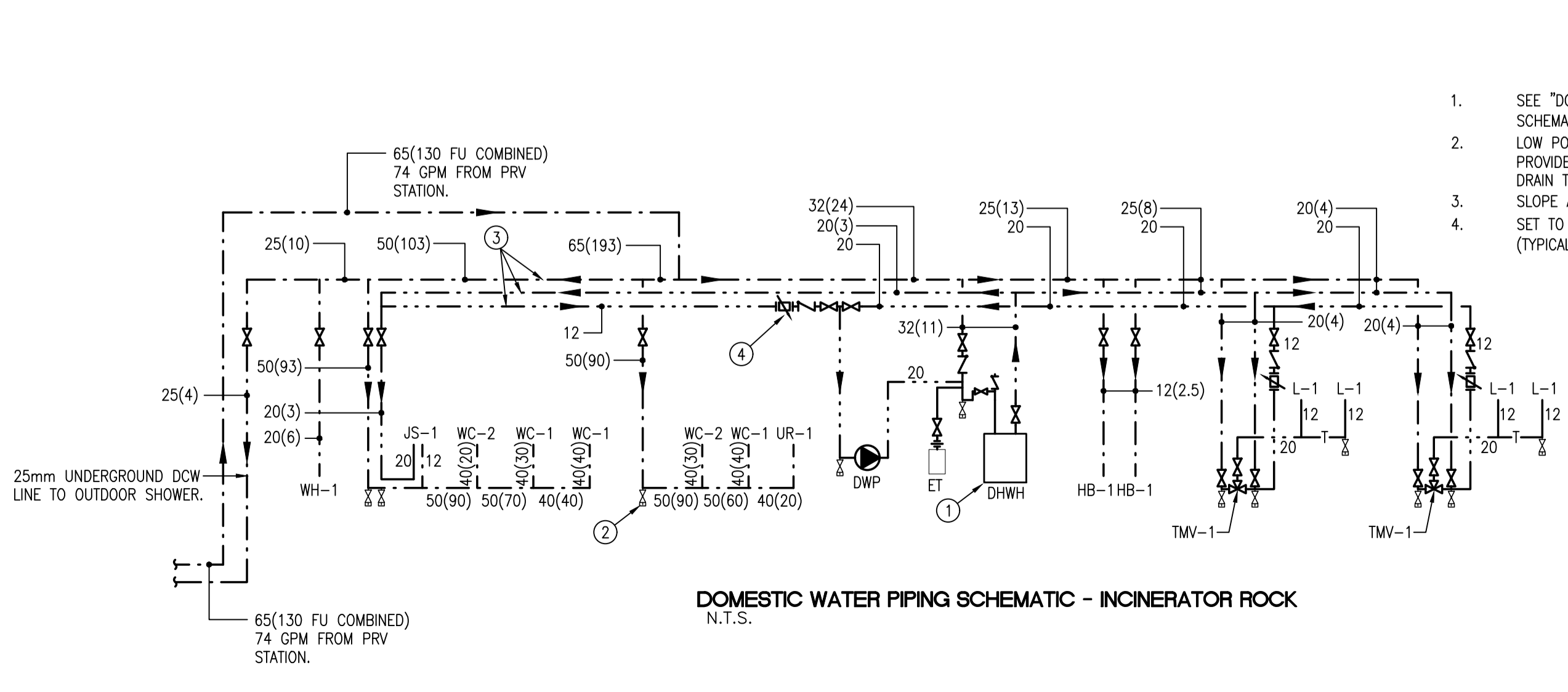
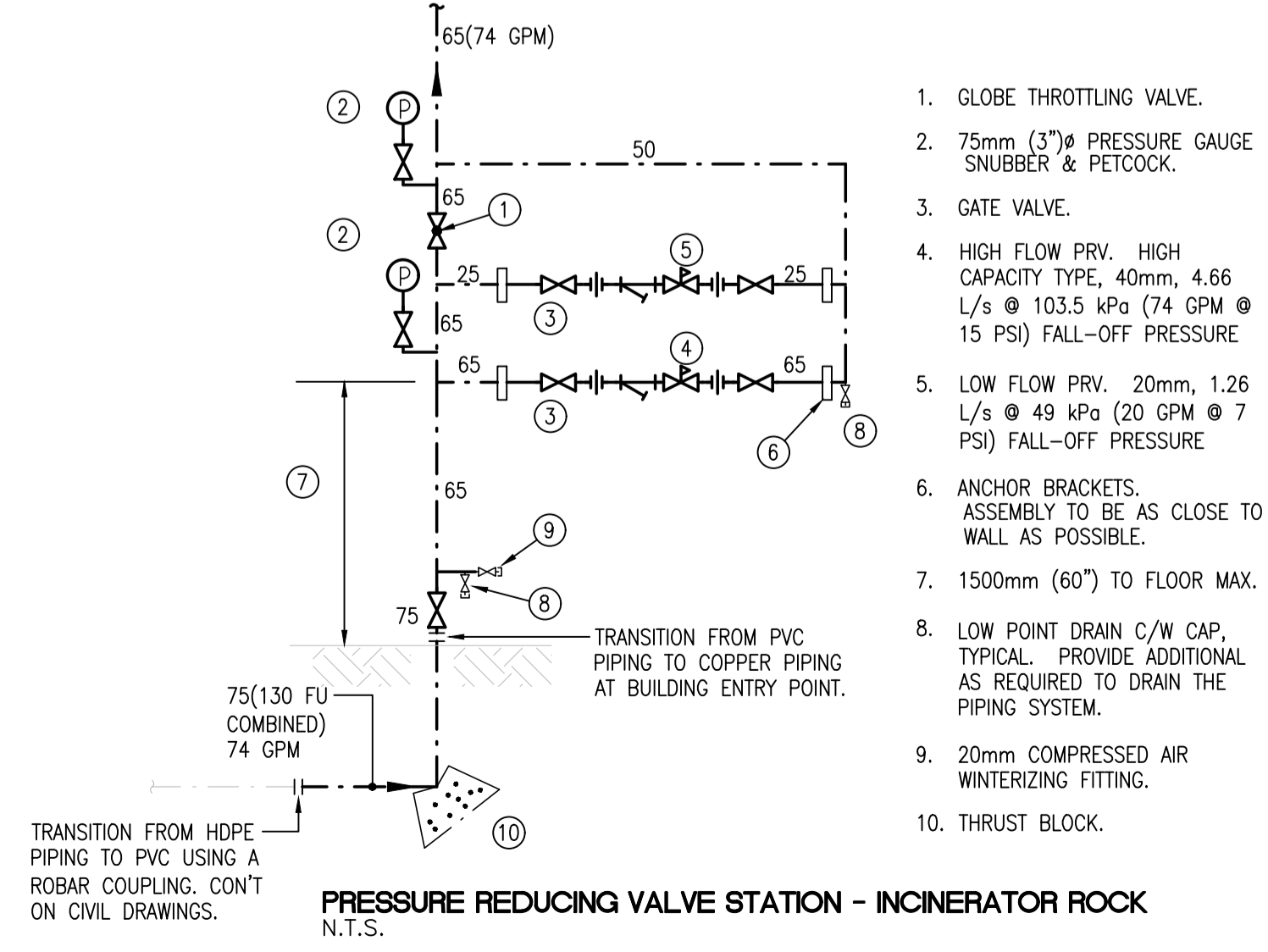
DRAWING NOTES:
1 INSTALL PUMP @ 750mm AFF.

GENERAL NOTES:
1. REFER TO PIPING SCHEMATICS FOR DOMESTIC WATER PIPE SIZES NOT SHOWN ON FLOOR PLAN.
2. REFER TO PIPING SCHEMATICS FOR VALVE AND PIPING APPURTENANCES NOT SHOWN ON FLOOR PLAN.
3. PROVIDE DRAIN C/W CAP AT ALL LOW POINTS TO ALLOW DRAINING OF DOMESTIC WATER SYSTEM.
4. SLOPE ALL PIPING TO LOW POINT DRAINS.
5. REFER TO ARCHITECTURAL DRAWINGS FOR EXACT LOCATIONS OF FLOOR DRAINS.
6. PROVIDE TRAP PRIMERS.
7. CONNECT DRAIN PORT OF ACCESS HATCH TO SANITARY DRAIN (UPSTREAM OF P-TRAP). USE 25mm DRAIN CONNECTION. TYP. FOR ALL ACCESS HATCHES.



INCINERATOR ROCK - TYPE 'A-1' FLOOR PLAN - UNDERGROUND PLUMBING
1:50

INCINERATOR ROCK - TYPE 'A-1' FLOOR PLAN - PLUMBING
1:50

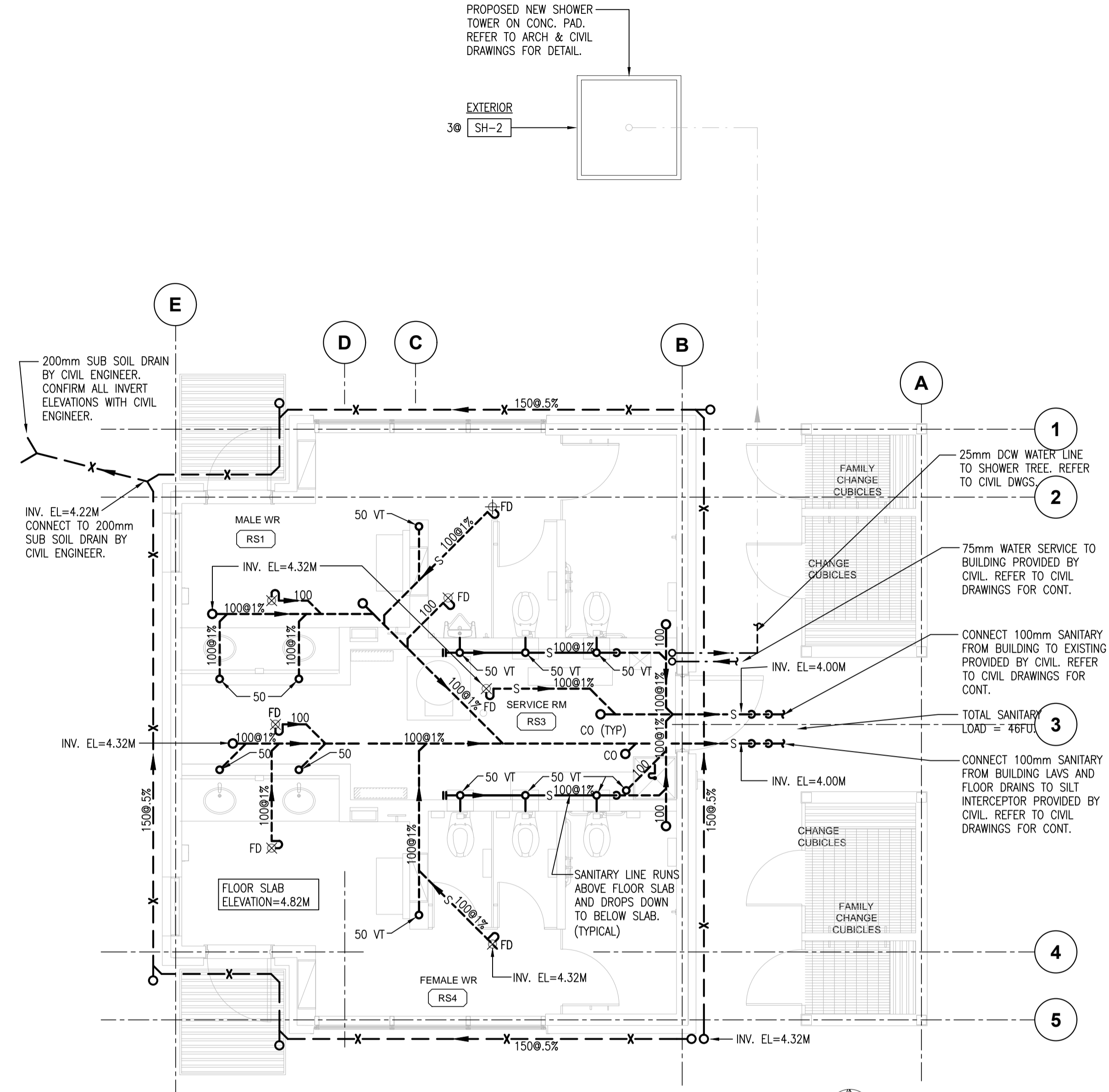


- SEE "DOMESTIC HOT WATER HEATER PIPING SCHEMATIC ON M-3" FOR DETAILS.
- LOW POINT DRAIN C/W CAP. TYPICAL. PROVIDE ADDITIONAL AS REQUIRED TO DRAIN THE PIPING SYSTEM.
- SLOPE ALL PIPING TO LOW POINT DRAIN. SET TO 0.06 L/S (1.0 GPM) EACH. (TYPICAL)

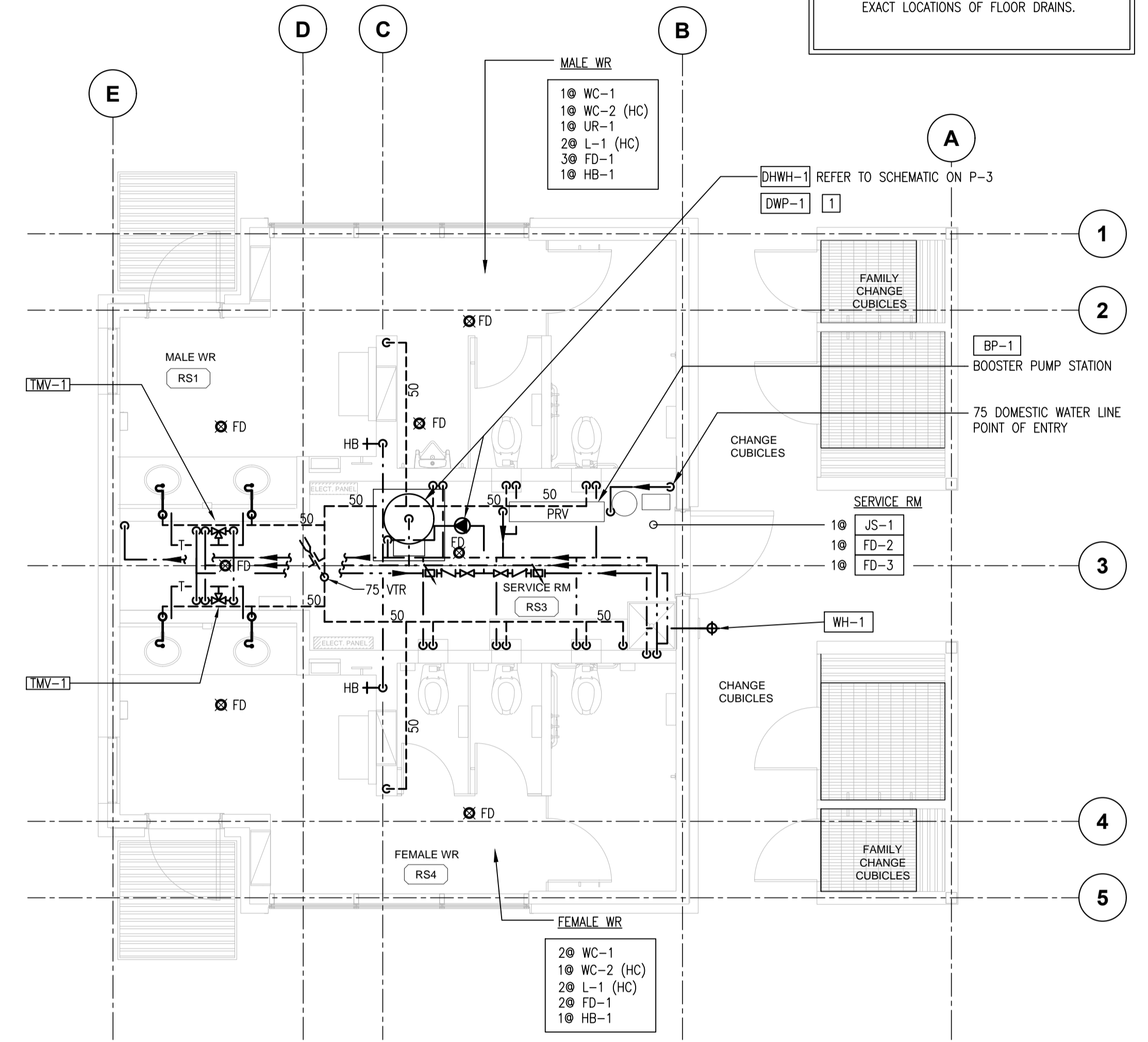


DRAWING NOTES:
1 INSTALL PUMP @ 750mm AFF.

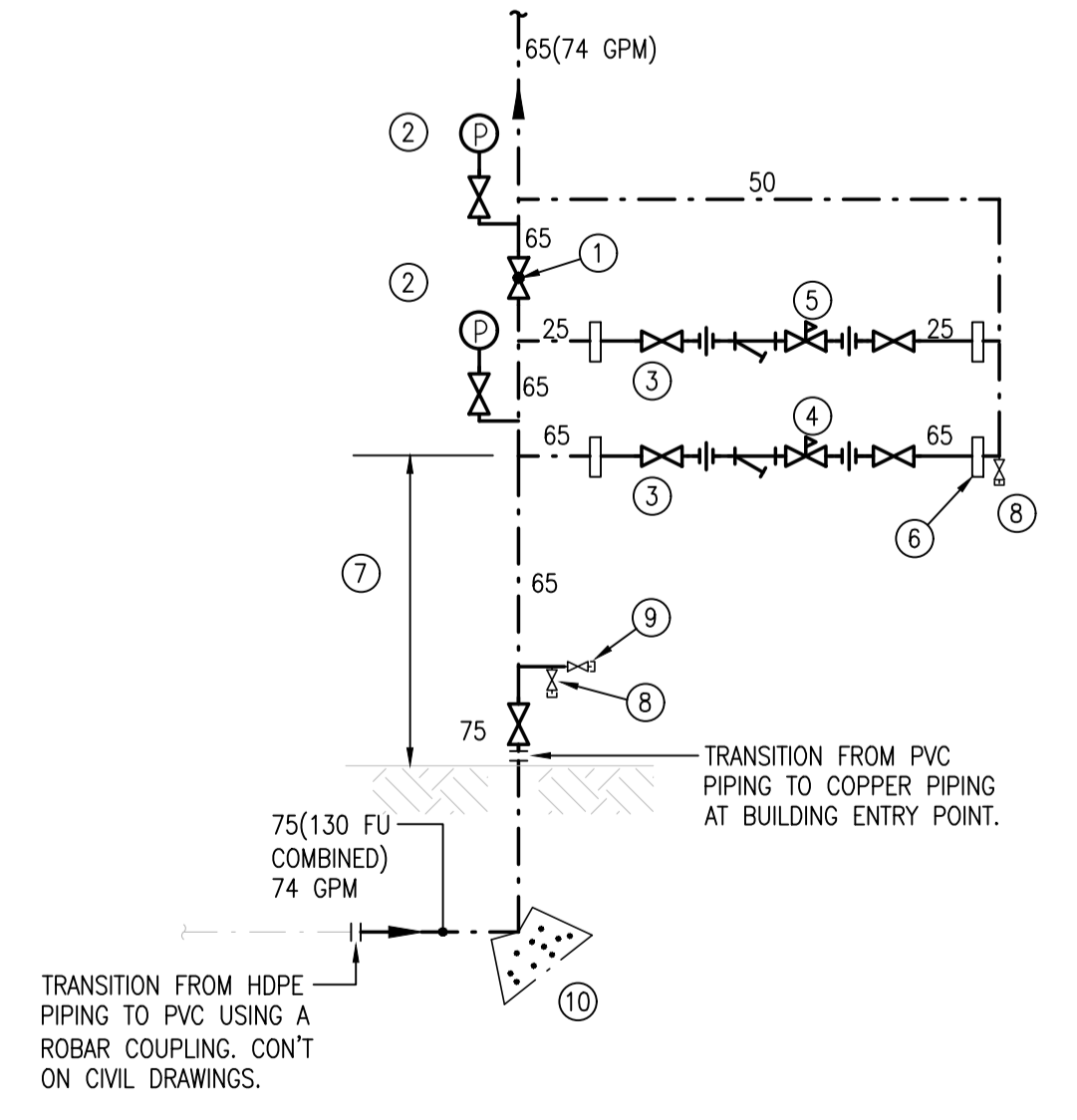
GENERAL NOTES:
1. REFER TO PIPING SCHEMATICS FOR DOMESTIC WATER PIPE SIZES NOT SHOWN ON FLOOR PLAN.
2. REFER TO PIPING SCHEMATICS FOR VALVE AND PIPING APPURTENANCES NOT SHOWN ON FLOOR PLAN.
3. PROVIDE DRAIN C/W CAP AT ALL LOW POINTS TO ALLOW DRAINING OF DOMESTIC WATER SYSTEM.
4. SLOPE ALL PIPING TO LOW POINT DRAINS.
5. REFER TO ARCHITECTURAL DRAWINGS FOR EXACT LOCATIONS OF FLOOR DRAINS.



LONG BEACH NORTH - TYPE 'A' FLOOR PLAN - UNDERGROUND PLUMBING
1:50



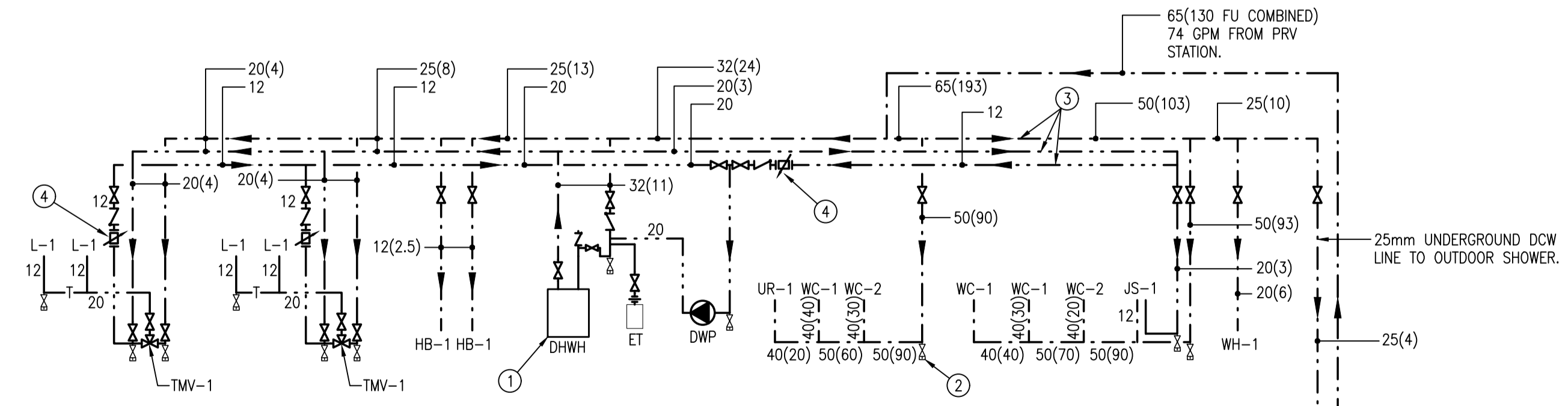
LONG BEACH NORTH - TYPE 'A' FLOOR PLAN - UNDERGROUND PLUMBING
1:50



PRESSURE REDUCING VALVE STATION - TYPICAL FOR TYPE 'A' BUILDINGS
N.T.S.

LONG BEACH NORTH
NTS
LONG BEACH SOUTH
NTS

1. GLOBE THROTTLING VALVE.
2. 75mm (3") PRESSURE GAUGE SNUBBER & PETCOCK.
3. GATE VALVE.
4. HIGH FLOW PRV. HIGH CAPACITY TYPE, 40mm, 4.66 L/s @ 103.5 kPa (74 GPM @ 15 PSI) FALL-OFF PRESSURE
5. LOW FLOW PRV. 20mm, 1.26 L/s @ 49 kPa (20 GPM @ 7 PSI) FALL-OFF PRESSURE
6. ANCHOR BRACKETS. ASSEMBLY TO BE AS CLOSE TO WALL AS POSSIBLE.
7. 1500mm (60") TO FLOOR MAX.
8. LOW POINT DRAIN C/W CAP. TYPICAL. PROVIDE ADDITIONAL AS REQUIRED TO DRAIN THE PIPING SYSTEM.
9. 20mm COMPRESSED AIR WINTERIZING FITTING.
10. THRUST BLOCK.



DOMESTIC WATER PIPING SCHEMATIC- LONG BEACH NORTH
N.T.S.

1. SEE "DOMESTIC HOT WATER HEATER PIPING SCHEMATIC ON P-3" FOR DETAILS.
2. LOW POINT DRAIN C/W CAP. TYPICAL. PROVIDE ADDITIONAL AS REQUIRED TO DRAIN THE PIPING SYSTEM.
3. SLOPE ALL PIPING TO LOW POINT DRAIN.
4. SET TO 0.06 L/S (1.0 GPM) EACH. (TYPICAL)

PROFESSIONAL ENGINEER
2017-05-12

Revision/Revision	Description/Description	Date/Date
5		
4	ISSUED FOR TENDER-R2	2017/03/03
3	ISSUED FOR TENDER	2016/05/16
2	ISSUED FOR 99% CD	2016/03/10
1	ISSUED FOR 50% CD	2016/02/16
0	ISSUED FOR DD	2016/01/20

PARKS CANADA

Project title/Titre du projet
PACIFIC RIM HIGHWAY
PACIFIC RIM NATIONAL PARK WASHROOM BUILDINGS REPLACEMENT

Consultant Signature Only
Designed by/Concept par
IN
Drawn by/Dessiné par
SE
PWGSC Project Manager/Administrateur de Projets TPSGC
TOM DUNPHY
Regional Manager, Architectural and Engineering Services
Gestionnaire régionale, Services d'architectural et de génie, TPSGC
PREETIPAL PAUL

Drawing title/Titre du dessin
LONG BEACH NORTH - UNDERGROUND & PLUMBING

Project No./No. du projet	Sheet/Feuille	Revision no./La Révision no.
R.078666.001	P-2 OF 9	4





2017-05-12

5		
4	ISSUED FOR TENDER-R2	2017/03/03
3	ISSUED FOR TENDER	2016/05/16
2	ISSUED FOR 99% CD	2016/03/10
1	ISSUED FOR 50% CD	2016/02/16
0	ISSUED FOR DD	2016/01/20

Revision/Revision Description/Description Date/Date

Client/client

PARKS CANADA

Project title/Titre du projet

PACIFIC RIM HIGHWAY

PACIFIC RIM NATIONAL PARK WASHROOM BUILDINGS REPLACEMENT

Consultant Signature Only

Designed by/Concept par

Drawn by/Dessiné par

PWGSC Project Manager/Administrateur de Projets TPSGC
TOM DUNPHY

Regional Manager, Architectural and Engineering Services
Gestionnaire régionale, Services d'architectural et de génie, TPSGC
PREETIPAL PAUL

Drawing title/Titre du dessin

LONG BEACH SOUTH - UNDERGROUND & PLUMBING

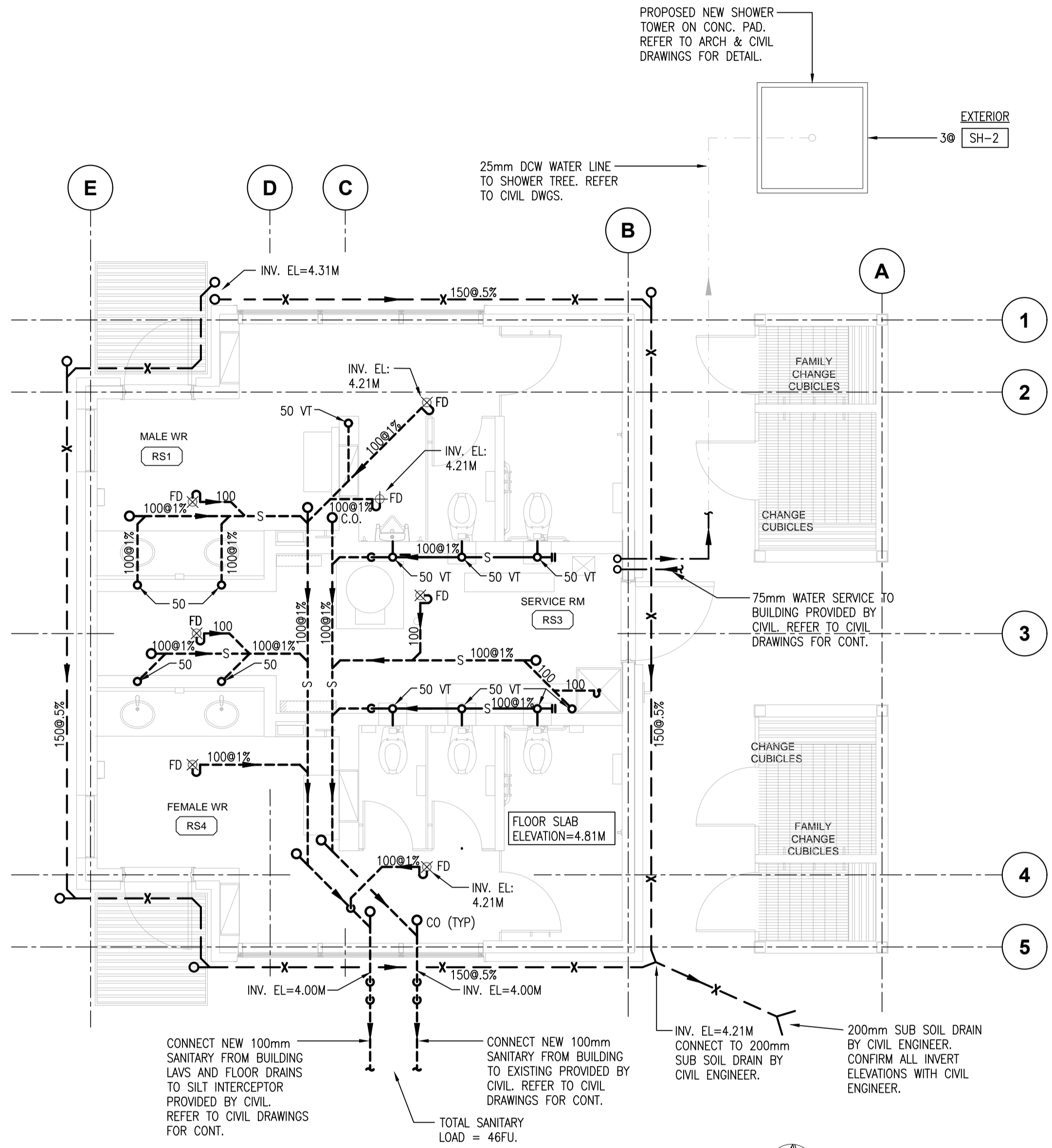
Project No./No. du projet
R.078666.001

Sheet/Feuille
P-3
OF 9

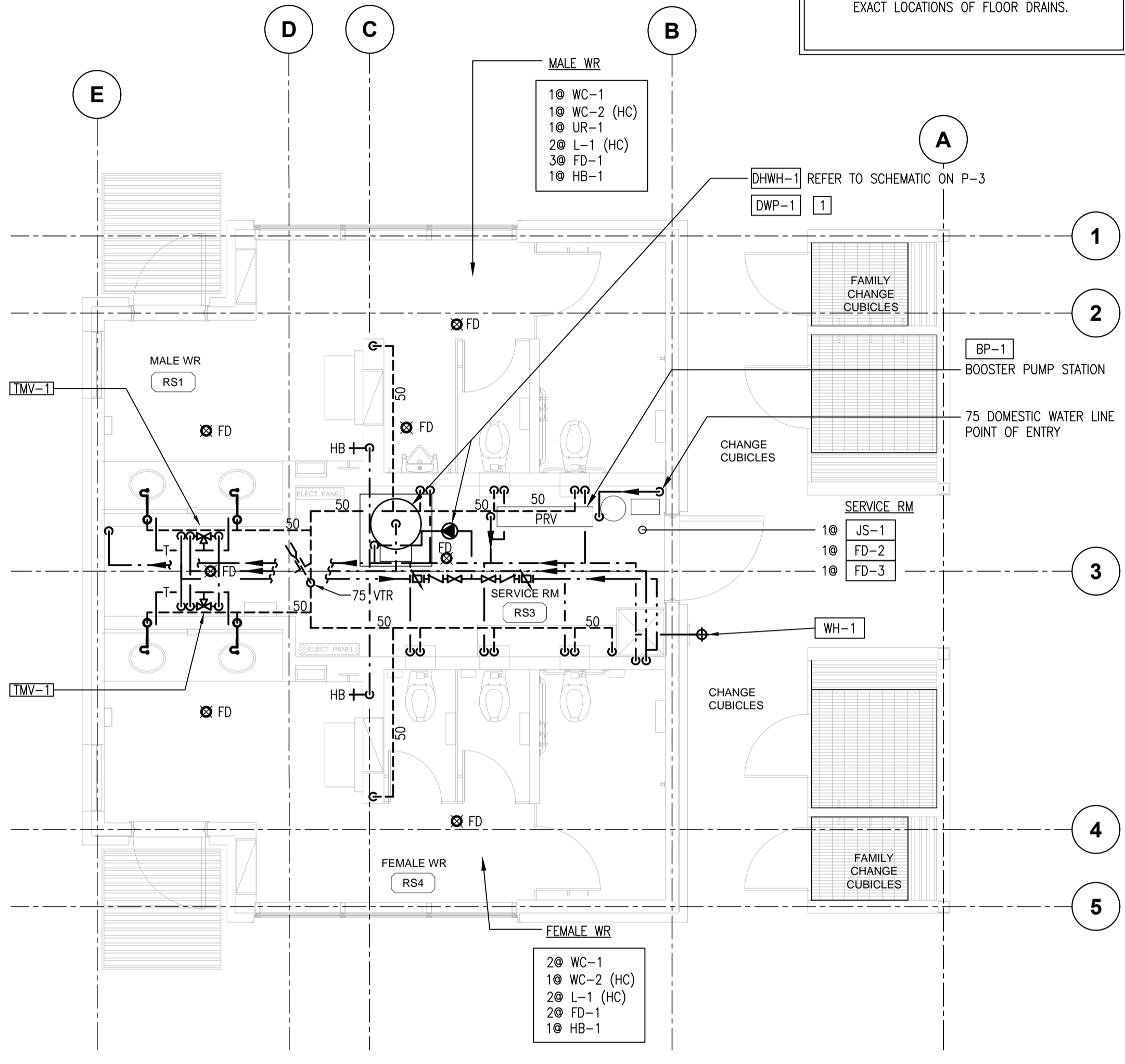
Revision no./La Révision no.
4

DRAWING NOTES:
1. INSTALL PUMP @ 750mm AFF.

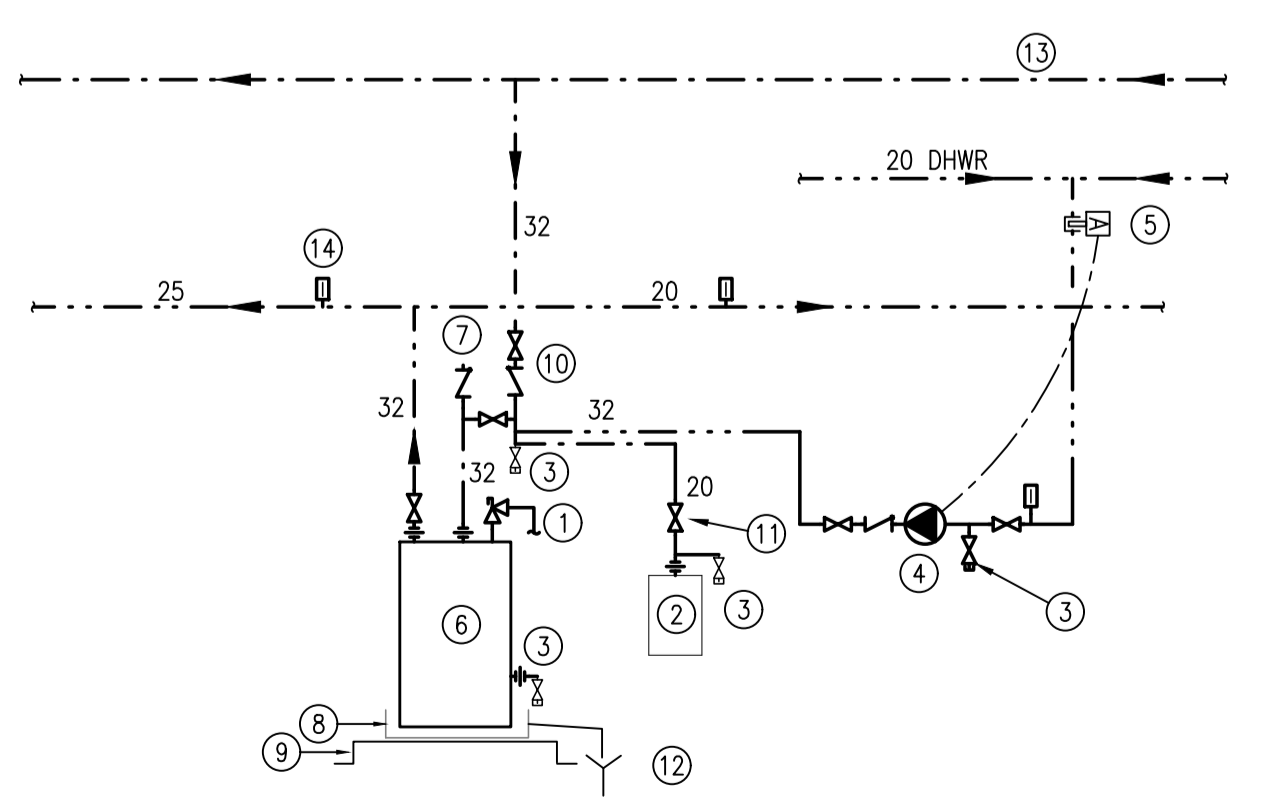
GENERAL NOTES:
1. REFER TO PIPING SCHEMATICS FOR DOMESTIC WATER PIPE SIZES NOT SHOWN ON FLOOR PLAN.
2. REFER TO PIPING SCHEMATICS FOR VALVE AND PIPING APPURTENANCES NOT SHOWN ON FLOOR PLAN.
3. PROVIDE DRAIN C/W CAP AT ALL LOW POINTS TO ALLOW DRAINING OF DOMESTIC WATER SYSTEM.
4. SLOPE ALL PIPING TO LOW POINT DRAINS.
5. REFER TO ARCHITECTURAL DRAWINGS FOR EXACT LOCATIONS OF FLOOR DRAINS.



LONG BEACH SOUTH - TYPE 'A' FLOOR PLAN - UNDERGROUND PLUMBING
1:50

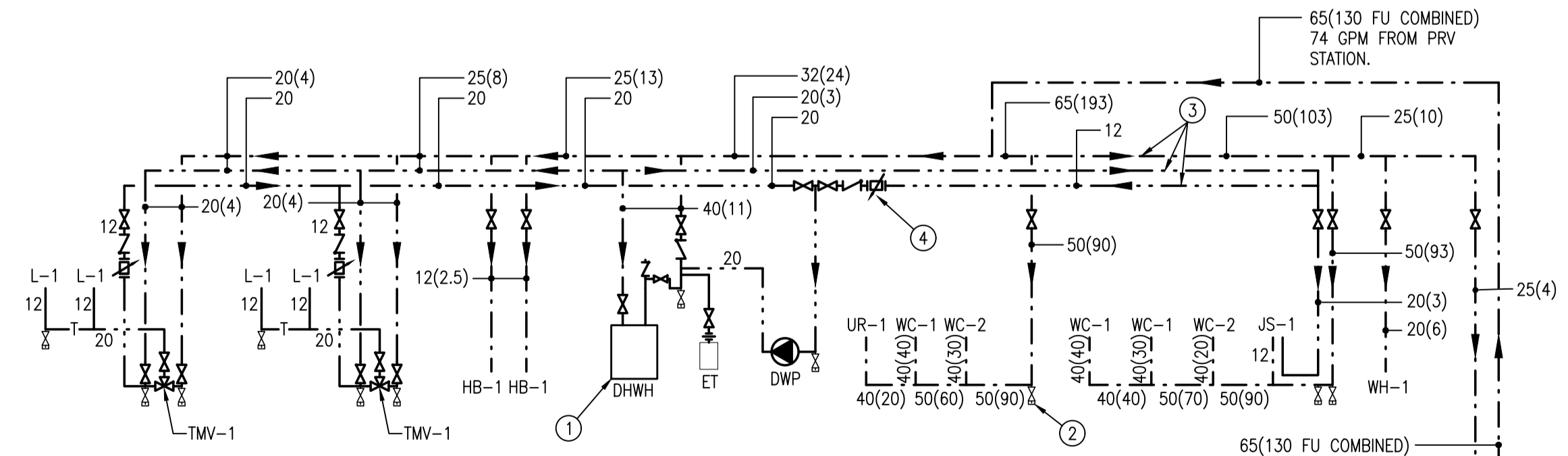


LONG BEACH SOUTH - TYPE 'A' FLOOR PLAN - PLUMBING
1:50



DOMESTIC HOT WATER HEATER PIPING SCHEMATIC - TYPICAL
N.T.S.

- PRESSURE RELIEF VALVE (PIPE TO FLOOR DRAIN)
- EXPANSION TANK: 53 L [14 GALLON] TANK VOLUME, 34 L [9 GALLON] ACCEPTANCE VOLUME, 406mm DIA., 483mm HEIGHT, ASME, 20mm SYSTEM CONNECTION, NSF/ANSI 61 APPROVED. PROVIDE WALL BRACKET.
- DRAIN VALVE C/W CAP.
- DOMESTIC HOT WATER RECIRCULATING PUMP. INSTALL PUMP AT LOW LEVEL.
- AQUASTAT IN WELL.
- ELECTRIC DOMESTIC HOT WATER HEATER.
- 20mm ANTI SIPHON INLET VACUUM RELIEF VALVE.
- PROVIDE GALVANIZED SHEET METAL DRAIN PAN PIPED TO FLOOR DRAIN.
- HOUSEKEEPING PAD
- CHECK VALVE
- LOCKSHIELD VALVE
- FLOOR DRAIN
- DCW SUPPLY
- THERMOMETER (TYPICAL)



DOMESTIC WATER PIPING SCHEMATIC- LONG BEACH NORTH
N.T.S.

- SEE "DOMESTIC HOT WATER HEATER PIPING SCHEMATIC ON P-3" FOR DETAILS.
- LOW POINT DRAIN C/W CAP. TYPICAL. PROVIDE ADDITIONAL AS REQUIRED TO DRAIN THE PIPING SYSTEM.
- SLOPE ALL PIPING TO LOW POINT DRAIN. SET TO 0.03 L/S (0.5 GPM) EACH. (TYPICAL)





2017-05-12

5		
4	ISSUED FOR TENDER-R2	2017/03/03
3	ISSUED FOR TENDER	2016/05/16
2	ISSUED FOR 99% CD	2016/03/10
1	ISSUED FOR 50% CD	2016/02/16
0	ISSUED FOR DD	2016/01/20

Revision/Revision	Description/Description	Date/Date
-------------------	-------------------------	-----------

Client/client
PARKS CANADA

Project title/Titre du projet
**PACIFIC RIM HIGHWAY
PACIFIC RIM NATIONAL PARK
WASHROOM BUILDINGS
REPLACEMENT**

Consultant Signature Only

Designed by/Concept par
IN
Drawn by/Dessiné par
SE

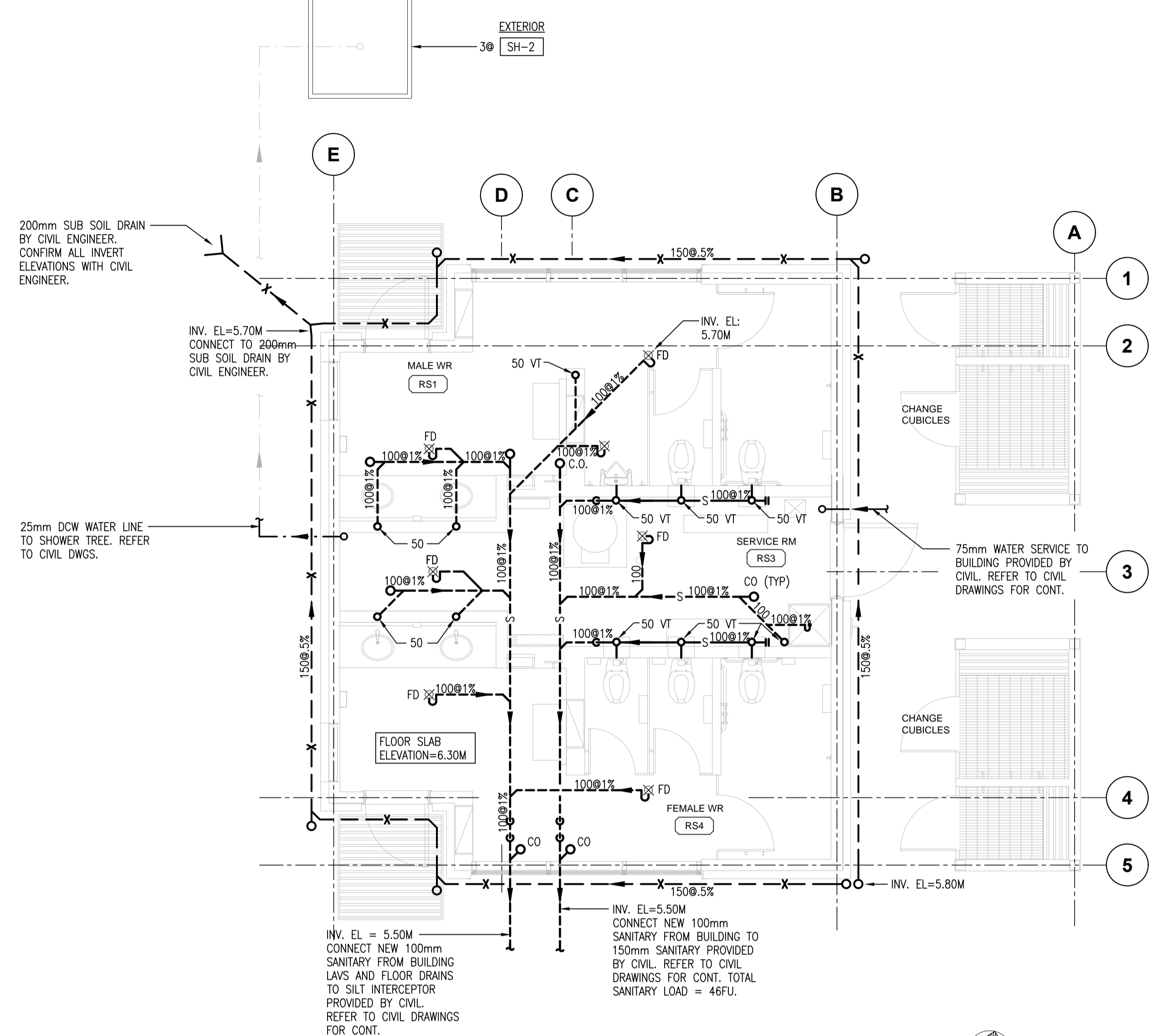
PWGSC Project Manager/Administrateur de Projets TPSGC
TOM DUNPHY

Regional Manager, Architectural and Engineering Services
Gestionnaire régionale, Services d'architecture et de génie, TPSGC
PREETIPAL PAUL

Drawing title/Titre du dessin
**WICKANINNIISH BEACH -
UNDERGROUND & PLUMBING**

Project No./No. du projet R.078666.001	Sheet/Feuille P-4 OF 9	Revision no./La Révision no. 4
--	-------------------------------------	--

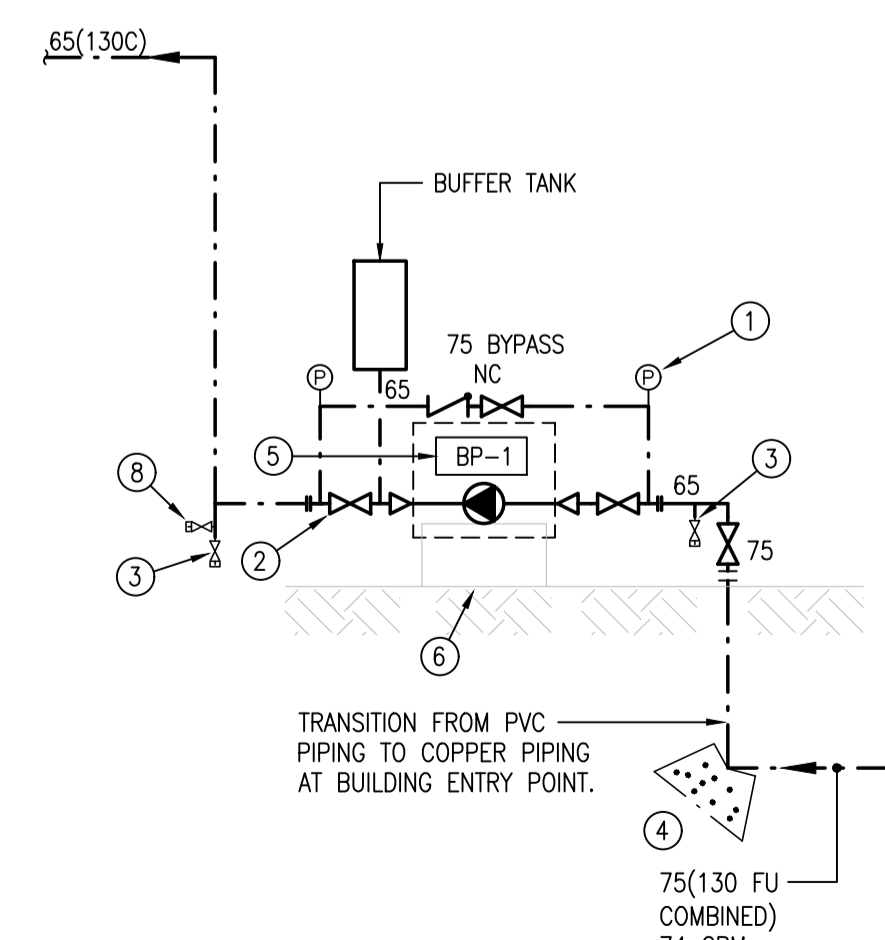
PROPOSED NEW SHOWER TOWER ON CONC. PAD. REFER TO ARCH & CIVIL DRAWINGS FOR DETAIL.



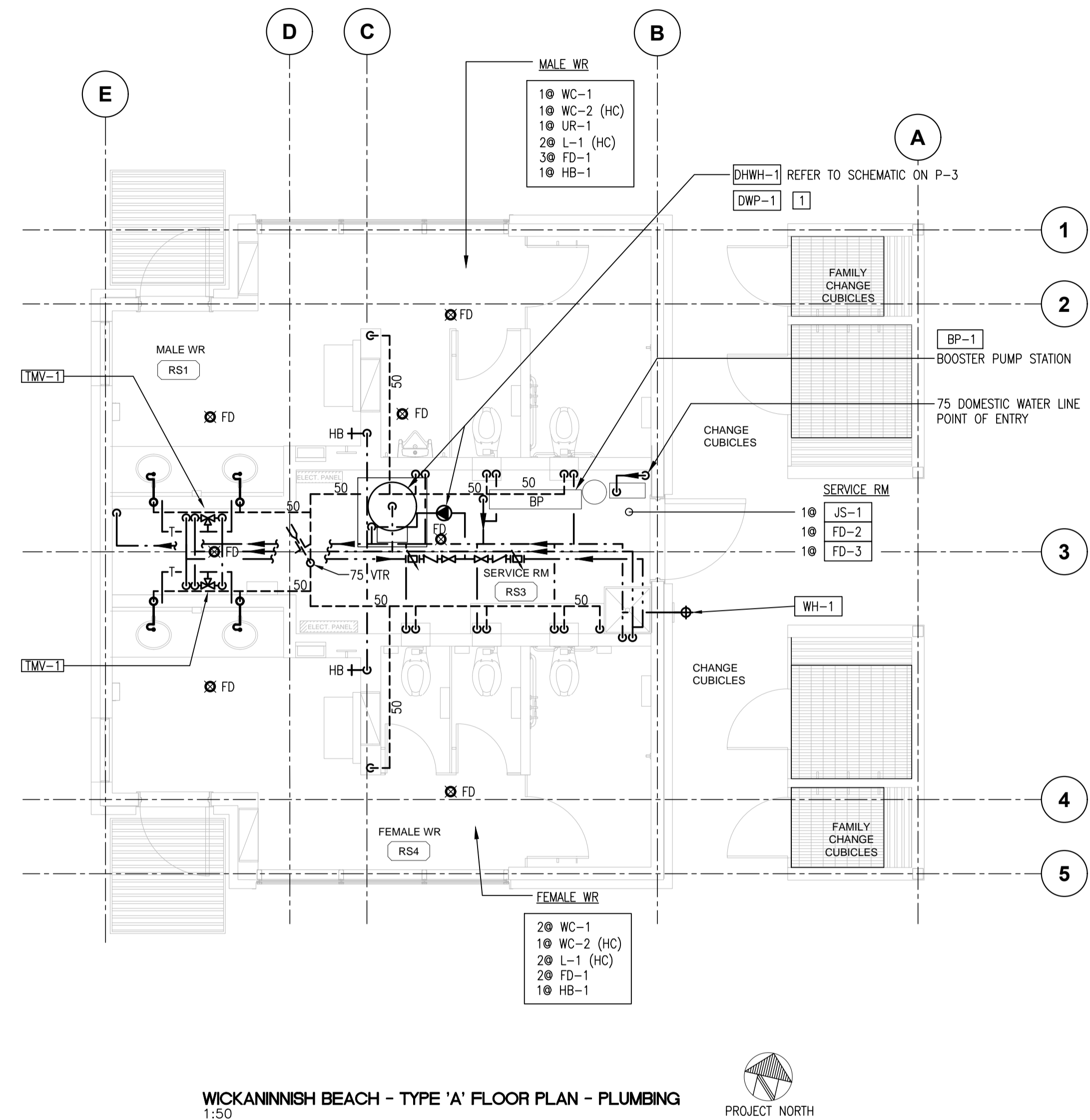
WICKANINNIISH BEACH - TYPE 'A' FLOOR PLAN - UNDERGROUND PLUMBING
1:50



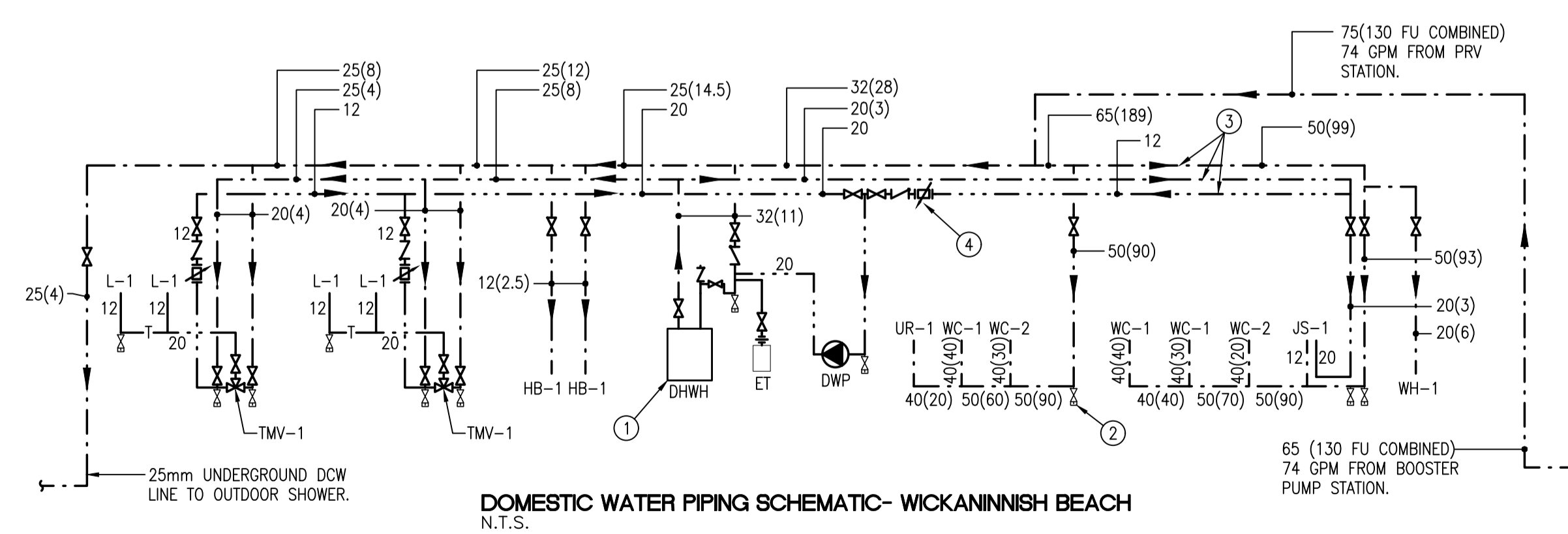
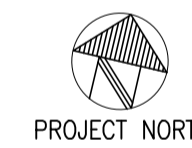
- 75mm (3") PRESSURE GAUGE SNUBBER & PETCOCK. (TYPICAL)
- GATE VALVE. (TYPICAL)
- LOW POINT DRAIN C/W CAP. (TYPICAL) PROVIDE ADDITIONAL AS REQUIRED TO DRAIN THE PIPING SYSTEM.
- THRUST BLOCK.
- PACKAGED SIMPLEX BOOSTER PUMP ON SKID. 5.42 L/s [86 GPM] @ 462 kpa [67 PSI] BOOST, 7.5 HP, 240/1/60, 50 NPT PIPE CONNECTIONS AND BRAIDED STAINLESS STEEL FLEX CONNECTIONS. PROVIDE MANUFACTURER'S RECOMMENDED BUFFER TANK SUITABLE FOR THIS BOOSTER PUMP SYSTEM, PRESSURE TRANSDUCER, REMOTE CONTROLLER AND MANUFACTURER'S WALL MOUNTED VFD. START-UP AND COMMISSIONING BY MANUFACTURER'S REPRESENTATIVE. STANDARD OF ACCEPTANCE IS GRUNDFOS BOOSTER PUMP PACKAGE & GRUNDFOS CUE VFD.
- 100mm HOUSEKEEPING PAD.
- LOW POINT DRAIN C/W CAP. TYPICAL. PROVIDE ADDITIONAL AS REQUIRED TO DRAIN THE PIPING SYSTEM.
- 20mm COMPRESSED AIR WINTERIZING FITTING.



WATER SERVICE BOOSTER PUMP STATION PIPING SCHEMATIC - WICKANINNIISH BEACH ONLY
N.T.S.



WICKANINNIISH BEACH - TYPE 'A' FLOOR PLAN - PLUMBING
1:50



DOMESTIC WATER PIPING SCHEMATIC- WICKANINNIISH BEACH
N.T.S.

- SEE "DOMESTIC HOT WATER HEATER PIPING SCHEMATIC ON P-3" FOR DETAILS.
- LOW POINT DRAIN C/W CAP. TYPICAL. PROVIDE ADDITIONAL AS REQUIRED TO DRAIN THE PIPING SYSTEM.
- SLOPE ALL PIPING TO LOW POINT DRAIN. SET TO 0.06 L/S (1.0 GPM) EACH. (TYPICAL)





2017-05-12

Revision/	Description/Description	Date/Date
5		
4	ISSUED FOR TENDER-R2	2017/03/03
3	ISSUED FOR TENDER	2016/05/16
2	ISSUED FOR 99% CD	2016/03/10
1	ISSUED FOR 50% CD	2016/02/16
0	ISSUED FOR DD	2016/01/20

PARKS CANADA

Project title/Titre du projet
**PACIFIC RIM HIGHWAY
PACIFIC RIM NATIONAL PARK
WASHROOM BUILDINGS
REPLACEMENT**

Consultant Signature Only

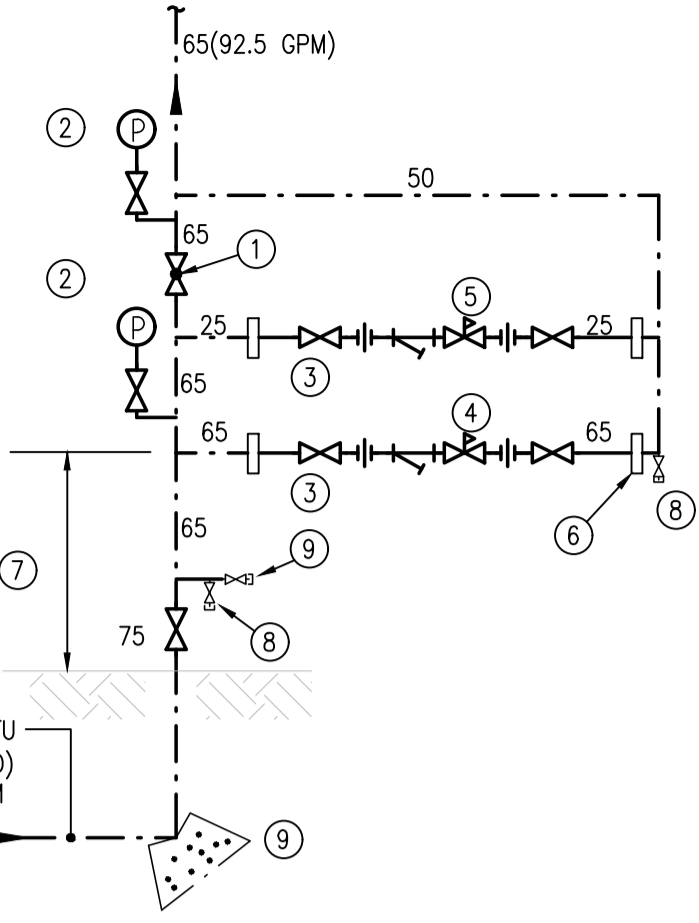
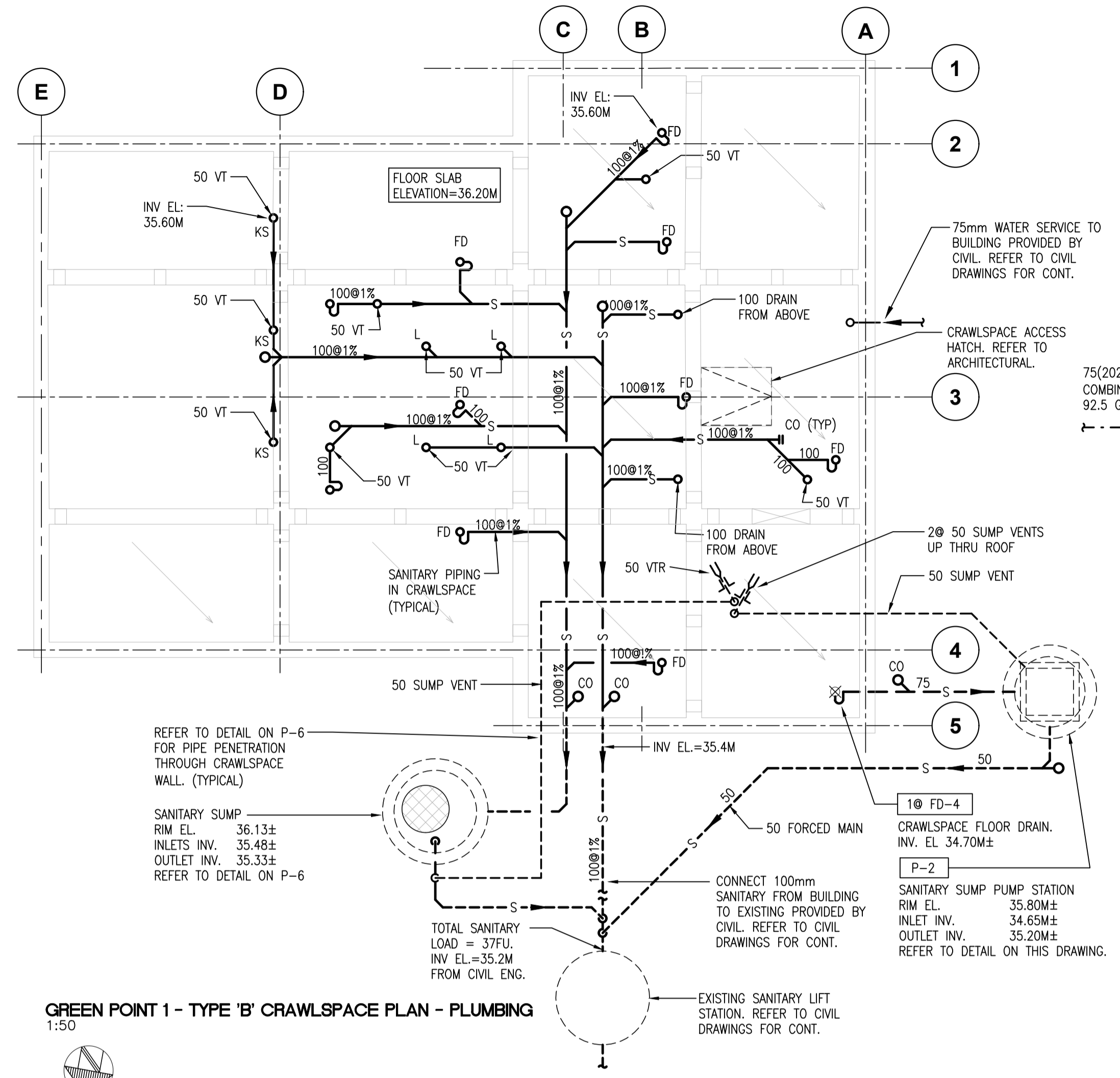
Designed by/Concept par
IN

Drawn by/Dessiné par
SE

PWGSC Project Manager/Administrateur de Projets TPSGC
TOM DUNPHY

Regional Manager, Architectural and Engineering Services
Gestionnaire régionale, Services d'architecture et de génie, TPSGC
PREETIPAL PAUL

Drawing title/Titre du dessin
**GREEN POINT #1 -
UNDERGROUND & PLUMBING**



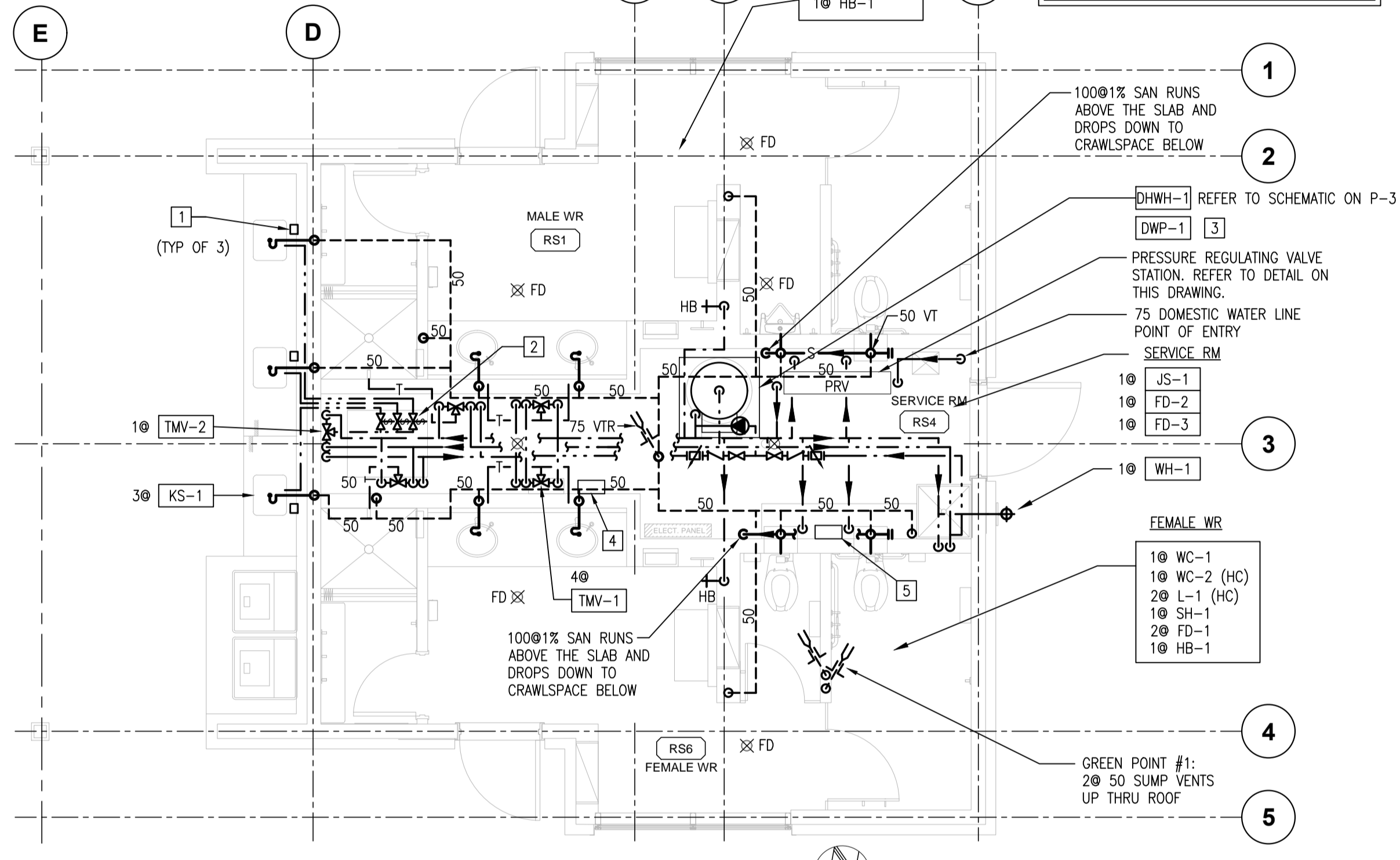
- GLOBE THROTTLING VALVE.
- 75mm (3") PRESSURE GAUGE SNUBBER & PETCOCK.
- GATE VALVE.
- HIGH FLOW PRV. HIGH CAPACITY TYPE, 40mm, 4.66 L/s @ 103.5 kPa (74 GPM @ 15 PSI) FALL-OFF PRESSURE.
- LOW FLOW PRV. 25mm, 1 L/s @ 69 kPa (30 GPM @ 10 PSI) FALL-OFF PRESSURE.
- ANCHOR BRACKETS. ASSEMBLY TO BE AS CLOSE TO WALL AS POSSIBLE.
- 1500mm (60") TO FLOOR MAX.
- LOW POINT DRAIN C/W CAP, TYPICAL. PROVIDE ADDITIONAL AS REQUIRED TO DRAIN THE PIPING SYSTEM.
- 20mm COMPRESSED AIR WINTERIZING FITTING.
- THRUST BLOCK.

DRAWING NOTES:

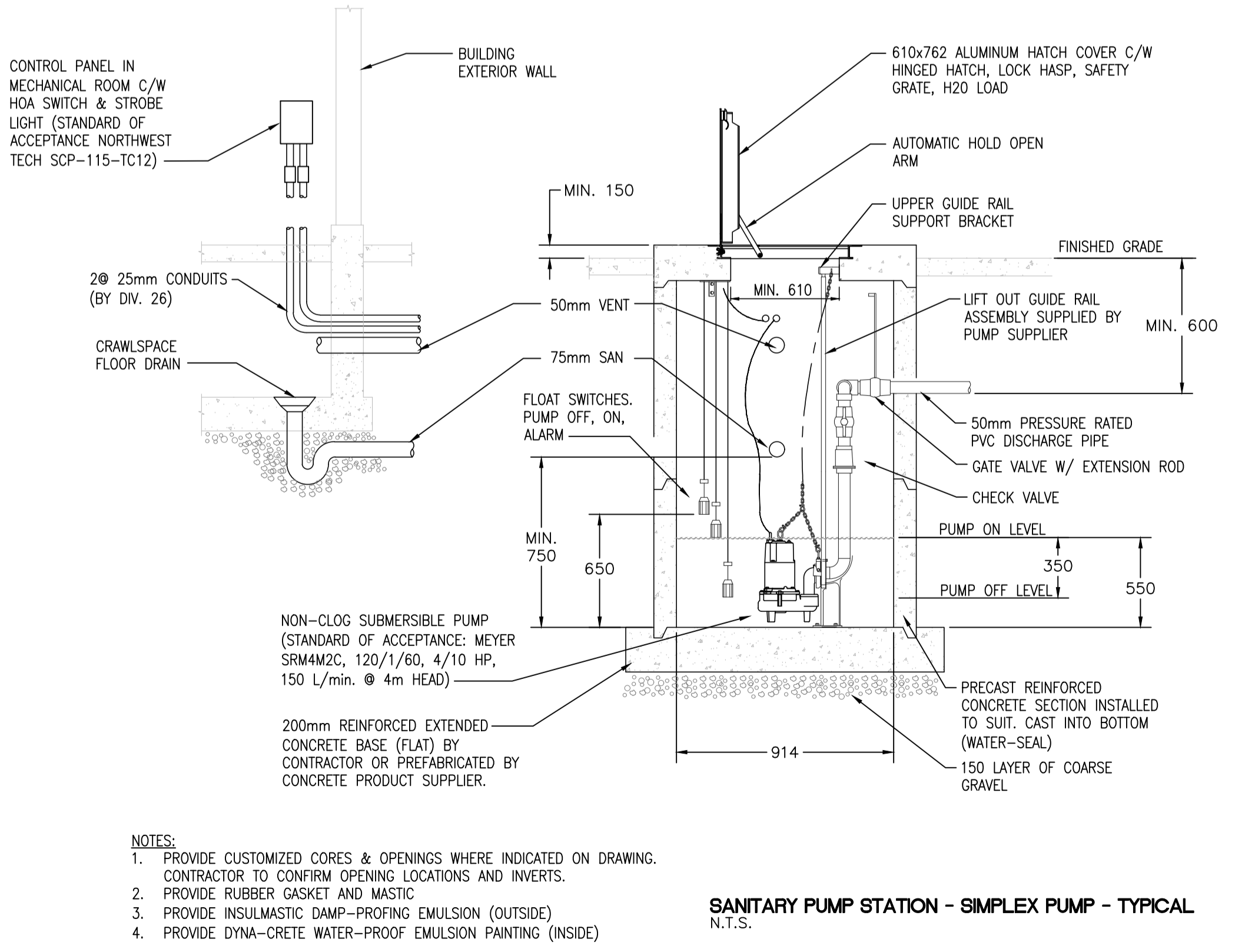
- PUSH BUTTON FOR KITCHEN SINK WATER SUPPLY CONTROL. TIMER SWITCHES FOR THE SOLENOID VALVES ARE TO BE LOCATED IN THE CONTROL PANEL WHICH IS LOCATED IN THE SERVICE ROOM. (TYPICAL OF 3)
- SOLENOID VALVES TO BE INSTALLED IN THE SERVICE ROOM. RUN SEPARATE TEMPERED WATER SUPPLY TO EACH KITCHEN SINK. SEE PIPING SCHEMATIC. (TYPICAL OF 3)
- INSTALL PUMP @ 750mm AFF.
- TEMPERATURE CONTROL PANEL.
- SUMP-PUMP CONTROL PANEL.

GENERAL NOTES:

- MECHANICAL SERVICES IN INACCESSIBLE CRAWLSPACE COMPARTMENTS TO BE INSTALLED AND TESTED PRIOR TO INSTALLATION OF MAIN FLOOR SLAB, AND TO BE SUPPORTED FROM CRAWLSPACE FLOOR AND PONY WALLS. PROVIDE MISCELLANEOUS STEEL FOR SUPPORTING MECHANICAL SERVICES INCLUDING SEISMIC RESTRAINTS.
- PROVIDE LINKSEAL C/W WS STEEL SLEEVE FOR ALL PIPE PENETRATIONS THROUGH CRAWLSPACE EXTERIOR WALLS. PROVIDE SLEEVES TO GENERAL CONTRACTOR FOR INSTALLATION. INSTALL IN ACCORDANCE WITH MANUFACTURER'S INSTRUCTIONS.
- COORDINATE LOCATIONS, SIZES AND ELEVATIONS OF ALL OPENINGS FOR MECHANICAL SERVICES THROUGH CRAWLSPACE PONY WALLS AND EXTERIOR WALLS WITH GENERATION CONTRACTOR.
- MECHANICAL SERVICES IN ACCESSIBLE CRAWLSPACE COMPARTMENTS TO BE INSTALLED AS HIGH AS POSSIBLE.

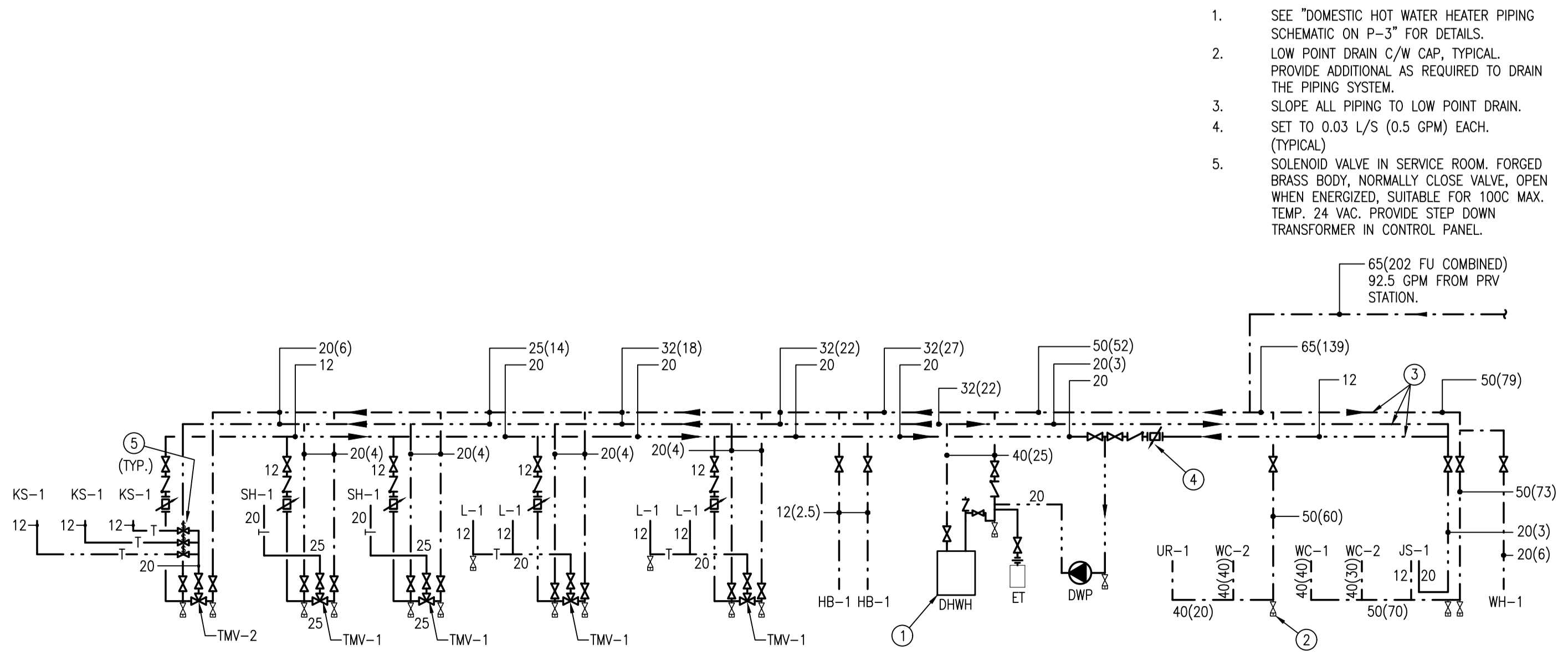


GREEN POINT 1 - TYPE 'B' FLOOR PLAN - PLUMBING
1:50

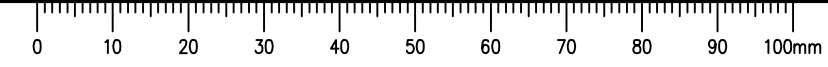


SANITARY PUMP STATION - SIMPLEX PUMP - TYPICAL
N.T.S.

- NOTES:**
- PROVIDE CUSTOMIZED CORES & OPENINGS WHERE INDICATED ON DRAWING. CONTRACTOR TO CONFIRM OPENING LOCATIONS AND INVERTS.
 - PROVIDE RUBBER GASKET AND MASTIC
 - PROVIDE INSULMATIC DAMP-PROOFING EMULSION (OUTSIDE)
 - PROVIDE DYNA-CRETE WATER-PROOF EMULSION PAINTING (INSIDE)



DOMESTIC WATER PIPING SCHEMATIC - GREENPOINT 1
N.T.S.





2017-05-12

5		
4	ISSUED FOR TENDER-R2	2017/03/03
3	ISSUED FOR TENDER	2016/05/16
2	ISSUED FOR 99% CD	2016/03/10
1	ISSUED FOR 50% CD	2016/02/16
0	ISSUED FOR DD	2016/01/20

Revision/	Description/Description	Date/Date
-----------	-------------------------	-----------

Client/client

PARKS CANADA

Project title/Titre du projet

**PACIFIC RIM HIGHWAY
PACIFIC RIM NATIONAL PARK
WASHROOM BUILDINGS
REPLACEMENT**

Consultant Signature Only

Designed by/Concept par
IN

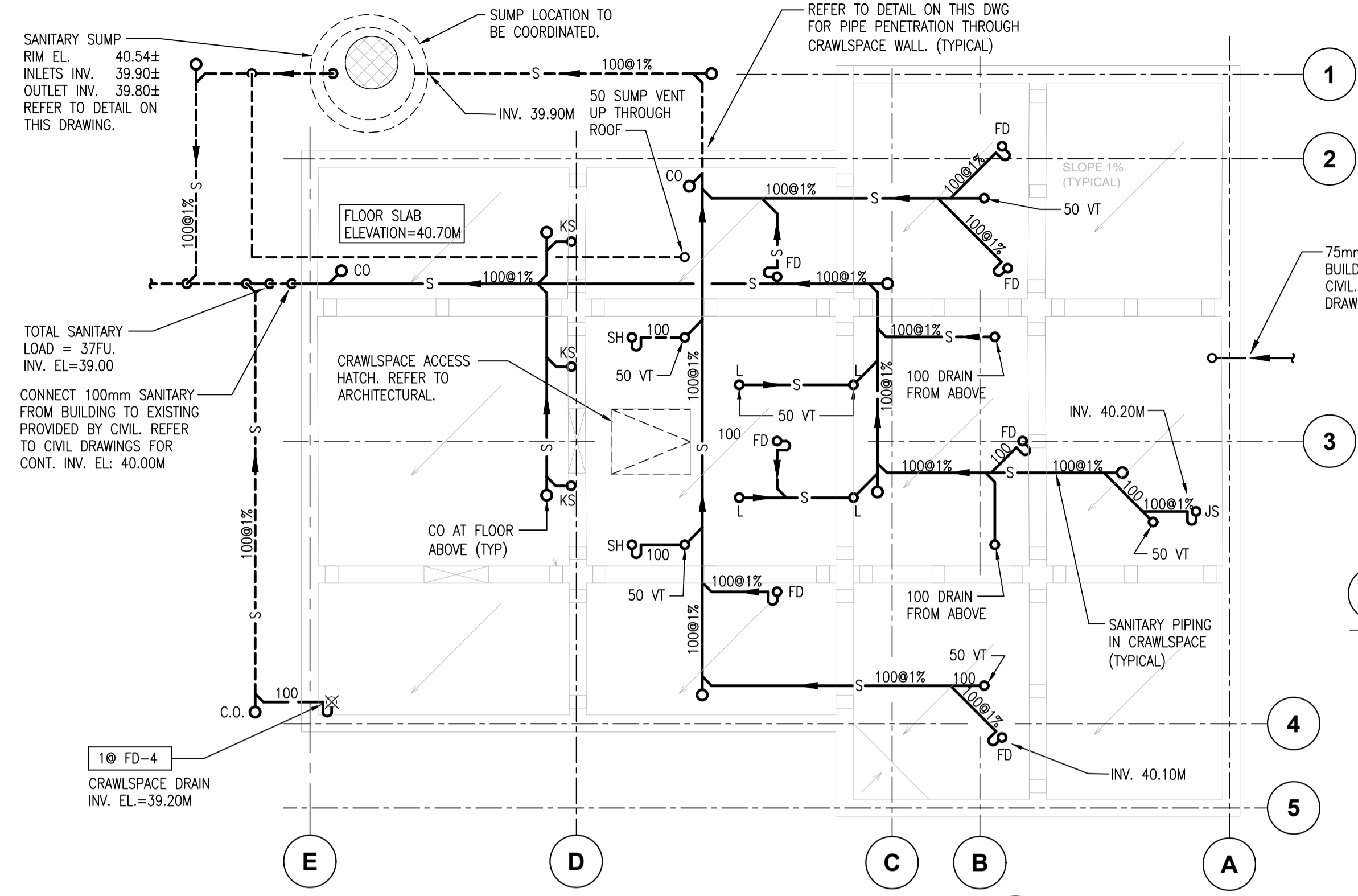
Drawn by/Dessiné par
SE
PWGSC Project Manager/Administrateur de Projets TPSGC
TOM DUNPHY

Regional Manager, Architectural and Engineering Services
Gestionnaire régionale, Services d'architecture et de génie, TPSGC
PREETIPAL PAUL

Drawing title/Titre du dessin

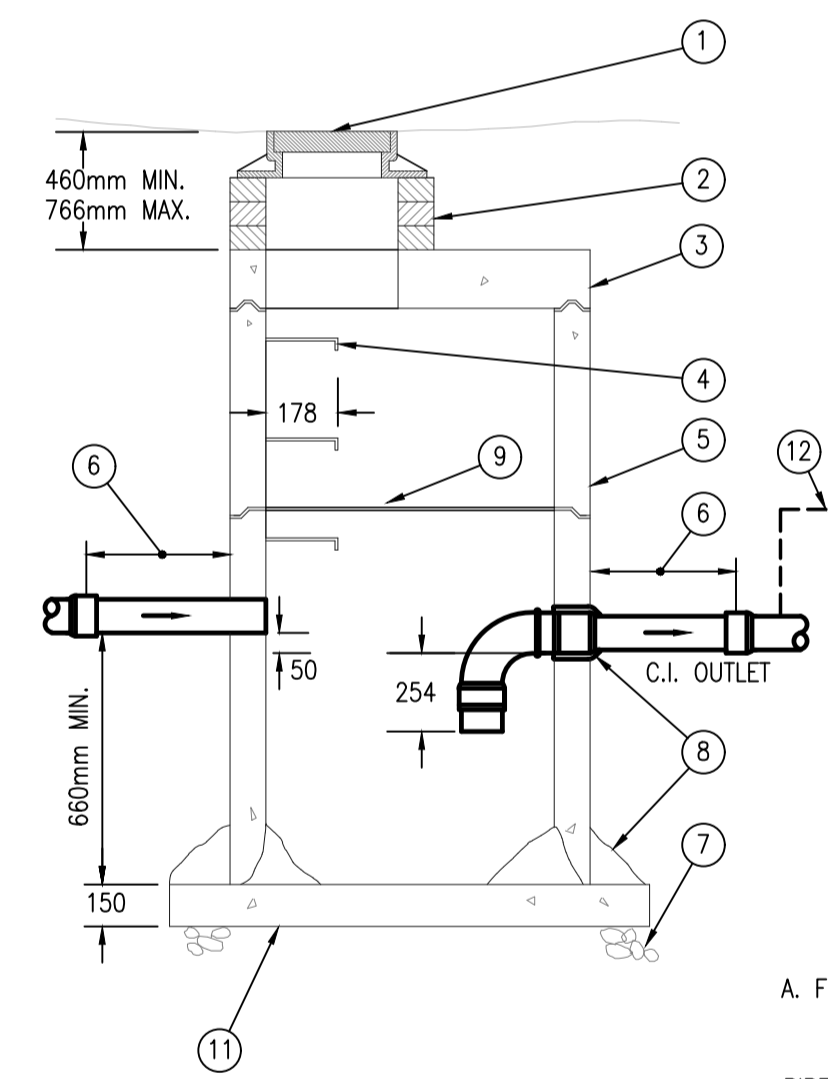
**GREEN POINT #4 -
UNDERGROUND & PLUMBING**

Project No./No. du projet R.078666.001	Sheet/Feuille P-6 OF 9	Revision no./La Révision no. 4
--	-------------------------------------	--



GREEN POINT 4 - TYPE 'B' CRAWLSPACE PLAN - PLUMBING
1:50

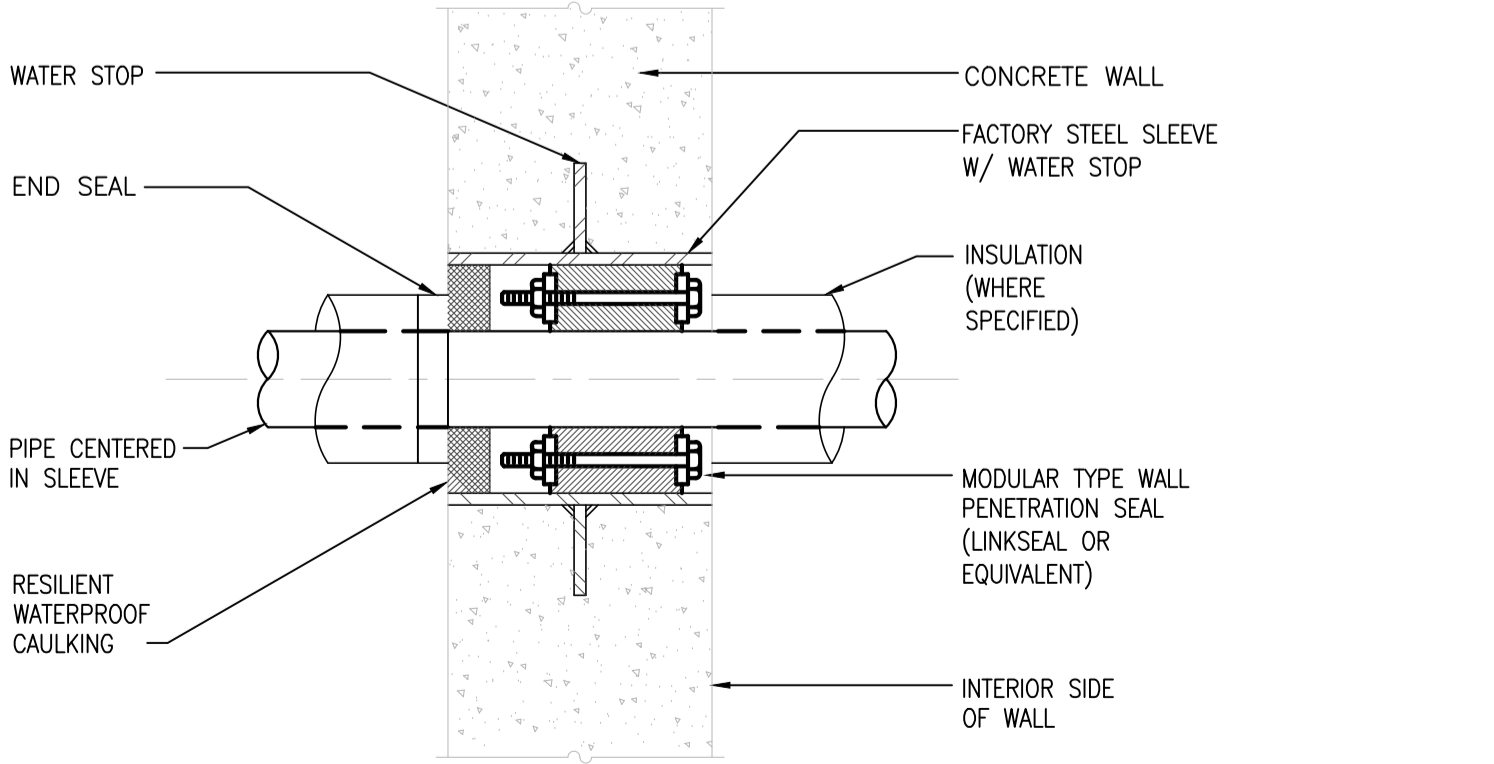
1. FOUNDRY PATTERN COVER & FRAME, C/W GASKET FOR SANITARY SERVICE
2. BRICK BUILD-UP TO SUIT (3-COURSES OF COMMON BRICK)
3. H-20 LID WITH 635mm OPENING
4. 20# GALV. LADDER RUNGS @ 460mm O.C.
5. REINFORCED CONCRETE SECTIONS TO A.S.T.M. C76-6ST.
6. INLET & OUTLET WITH FIRST JOINT AT 1500mm MAXIMUM.
7. 150mm LAYER OF COARSE GRAVEL.
8. GROUTING.
9. INSIDE MORTAR GROOVE
10. INSTALL CAST IRON CONNECTIONS FROM SUB-SOIL DRAINAGE TO STORM DRAINAGE SYSTEM INCLUDING BACK-WATER VALVE AND CLEAN-OUT.
11. 3000psi POURED REINFORCED CONCRETE BASE ON UNDISTURBED SOIL OR COMPACTED FILL. REINFORCED WITH #4 AT 300mm EACH WAY.
12. 50mm VENT



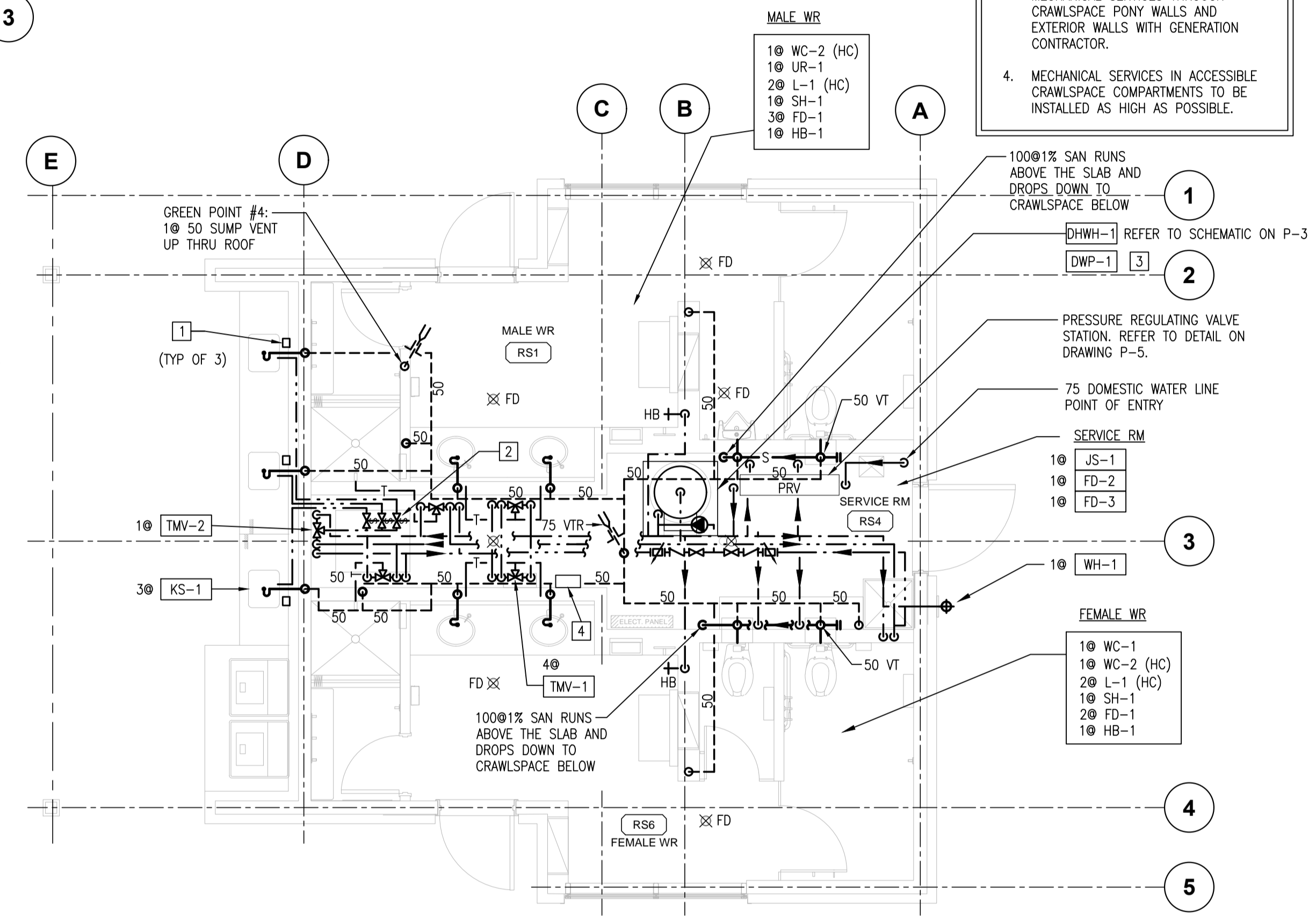
SANITARY SUMP DETAIL
N.T.S.

A. FOR SUMP SIZE AND PIPE INVERTS SEE PLAN.

PIPE SIZE	SUMP DIMENSIONS	
	POURED	PRE-CAST
100mm	1070 x 910mm	1070mm

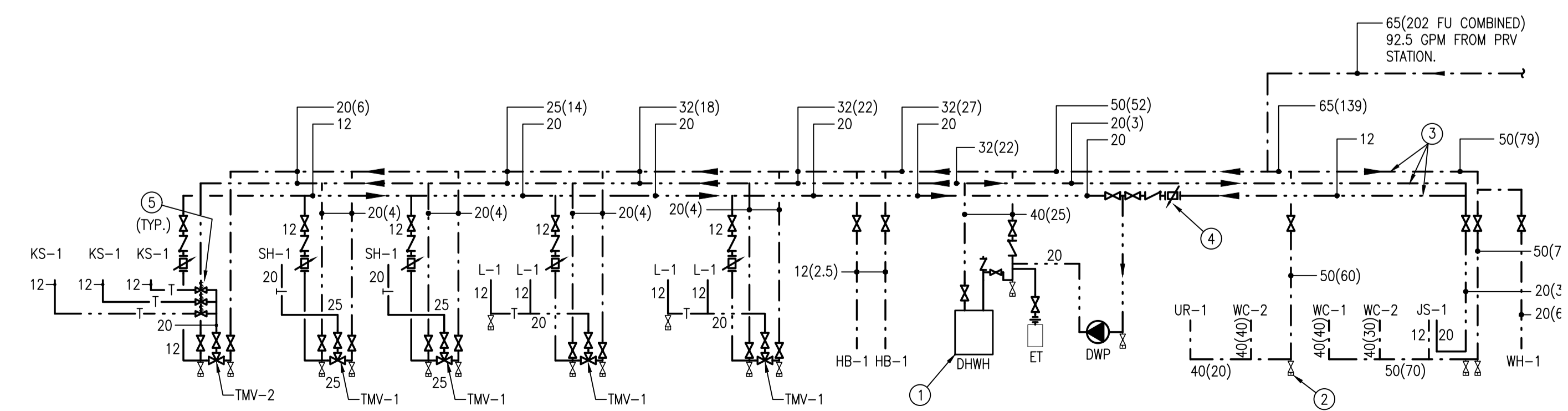


PIPE PENETRATION THROUGH CRAWLSPACE EXTERIOR WALL - TYPICAL FOR GP #1 & GP #4
N.T.S.



GREEN POINT 4 - TYPE 'B' FLOOR PLAN - PLUMBING
1:50

1. SEE "DOMESTIC HOT WATER HEATER PIPING SCHEMATIC ON P-3" FOR DETAILS.
2. LOW POINT DRAIN C/W CAP, TYPICAL. PROVIDE ADDITIONAL AS REQUIRED TO DRAIN THE PIPING SYSTEM.
3. SLOPE ALL PIPING TO LOW POINT DRAIN. SET TO 0.03 L/S (0.5 GPM) EACH. (TYPICAL)
4. SOLENOID VALVE IN SERVICE ROOM. FORGED BRASS BODY, NORMALLY CLOSE VALVE, OPEN WHEN ENERGIZED, SUITABLE FOR 100C MAX. TEMP. 24 VAC. PROVIDE STEP DOWN TRANSFORMER IN CONTROL PANEL.



DOMESTIC WATER PIPING SCHEMATIC - GREENPOINT 4
N.T.S.

