

Consultant

Seal

Project Title

1	ISSUED FOR BID	2015/02/04	BWC
0	90% CONST DOCUMENT	2015/01/06	BWC
No	Description	Date(y/m/d)	Drawn Checked

Revisions/Issuance (Read Up)

Designed By	DMT/BWC	Initialed
Drawn By	DMT	Initialed
Checked By	BWC	Initialed
Approved By	MF	Initialed
Sheet Title		

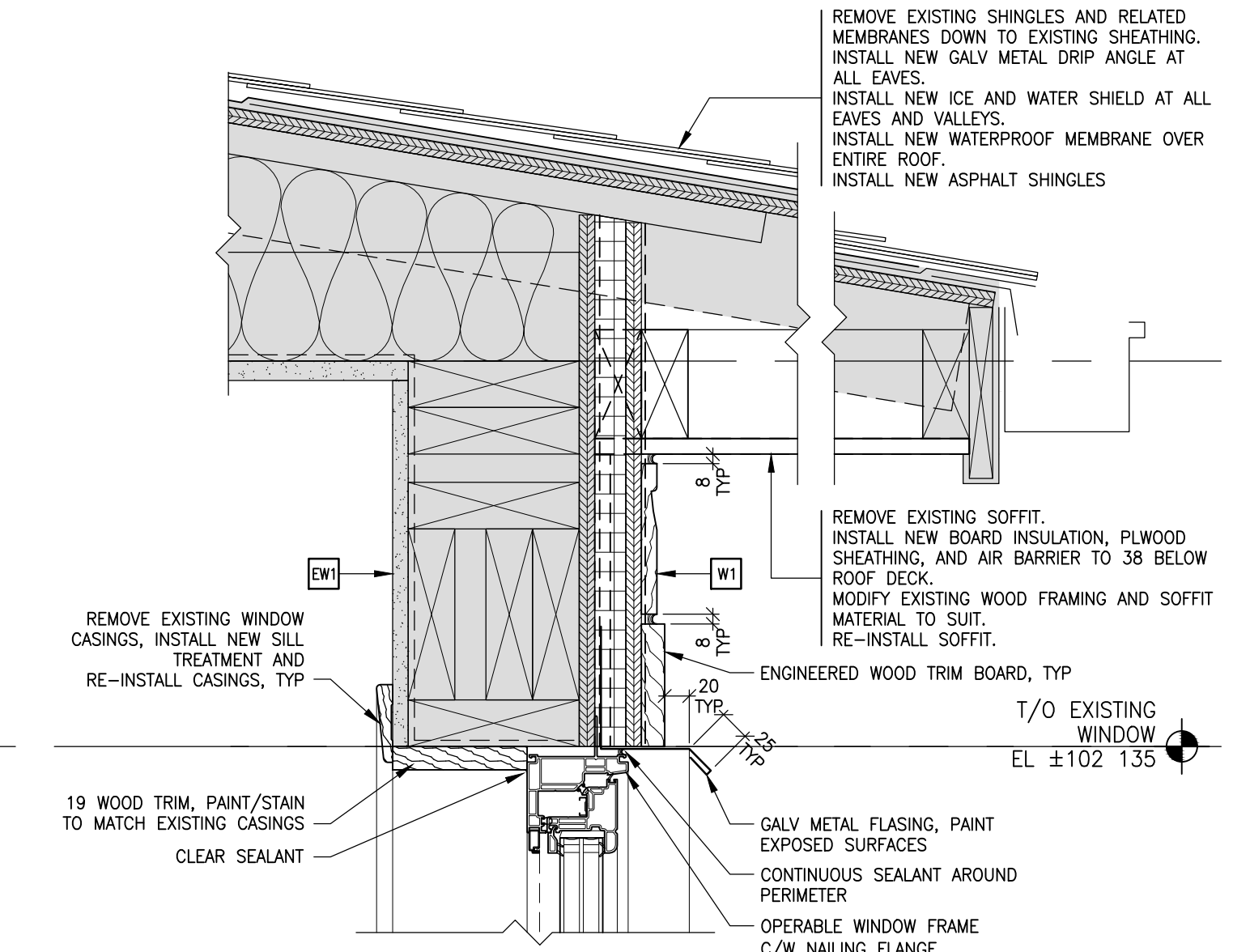
SECTION AND PLAN DETAILS

Date Created	2014/12/16	Scale	1:5
Sheet Number			

A301

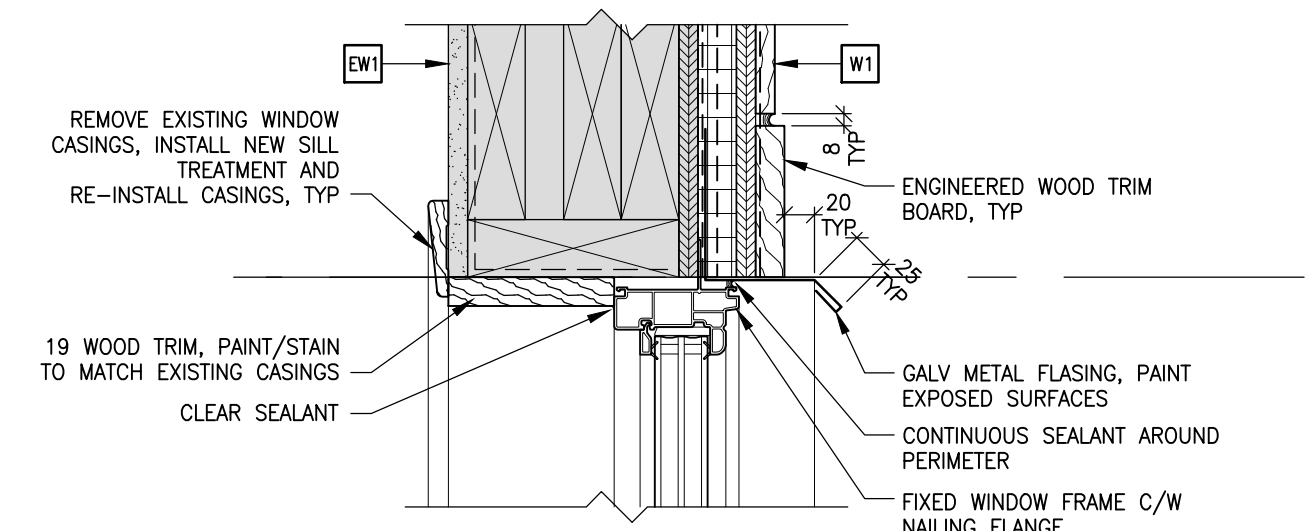
Sheet Order	Project Number
	149-12549-01

REMOVE EXISTING SHINGLES AND RELATED MEMBRANES DOWN TO EXISTING SHEATHING. INSTALL NEW GALV METAL DRIP ANGLE AT ALL EAVES.
INSTALL NEW ICE AND WATER SHIELD AT ALL EAVES AND VALLEYS.
INSTALL NEW WATERPROOF MEMBRANE OVER ENTIRE ROOF.
INSTALL NEW ASPHALT SHINGLES

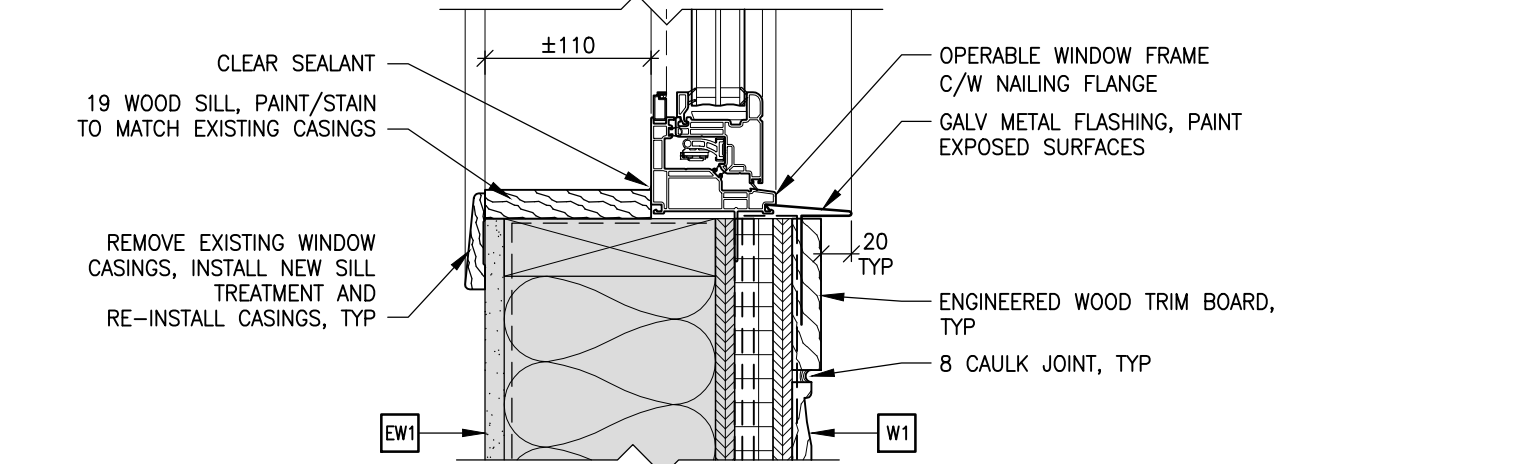


4 TYPICAL OPERABLE WINDOW HEAD
A101/A301 1:5

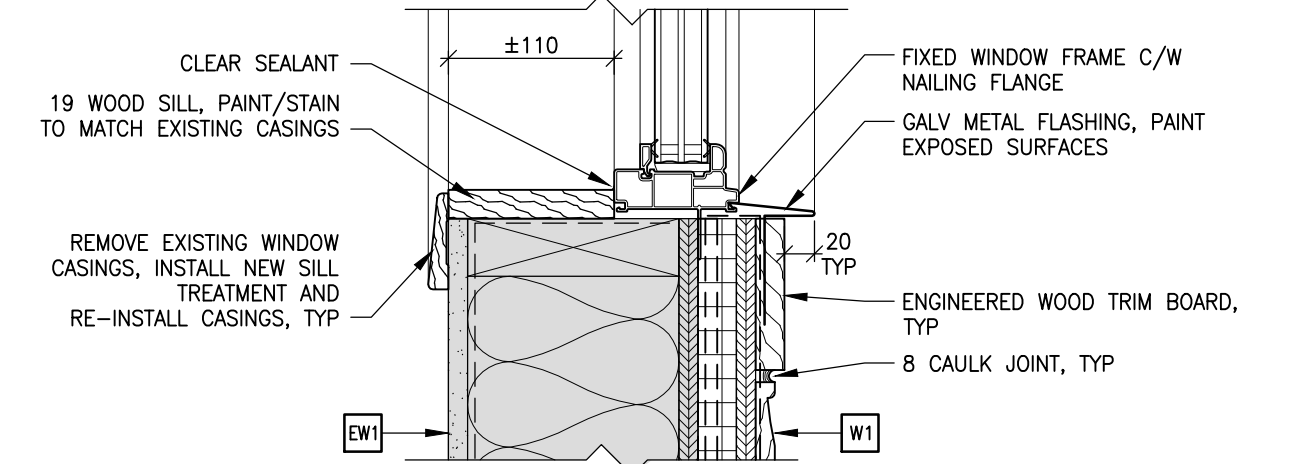
REMOVE EXISTING SOFFIT. INSTALL NEW BOARD INSULATION, PLWOOD SHEATHING, AND AIR BARRIER TO 38 BELOW ROOF DECK. MODIFY EXISTING WOOD FRAMING AND SOFFIT MATERIAL TO SUIT.
RE-INSTALL SOFFIT.



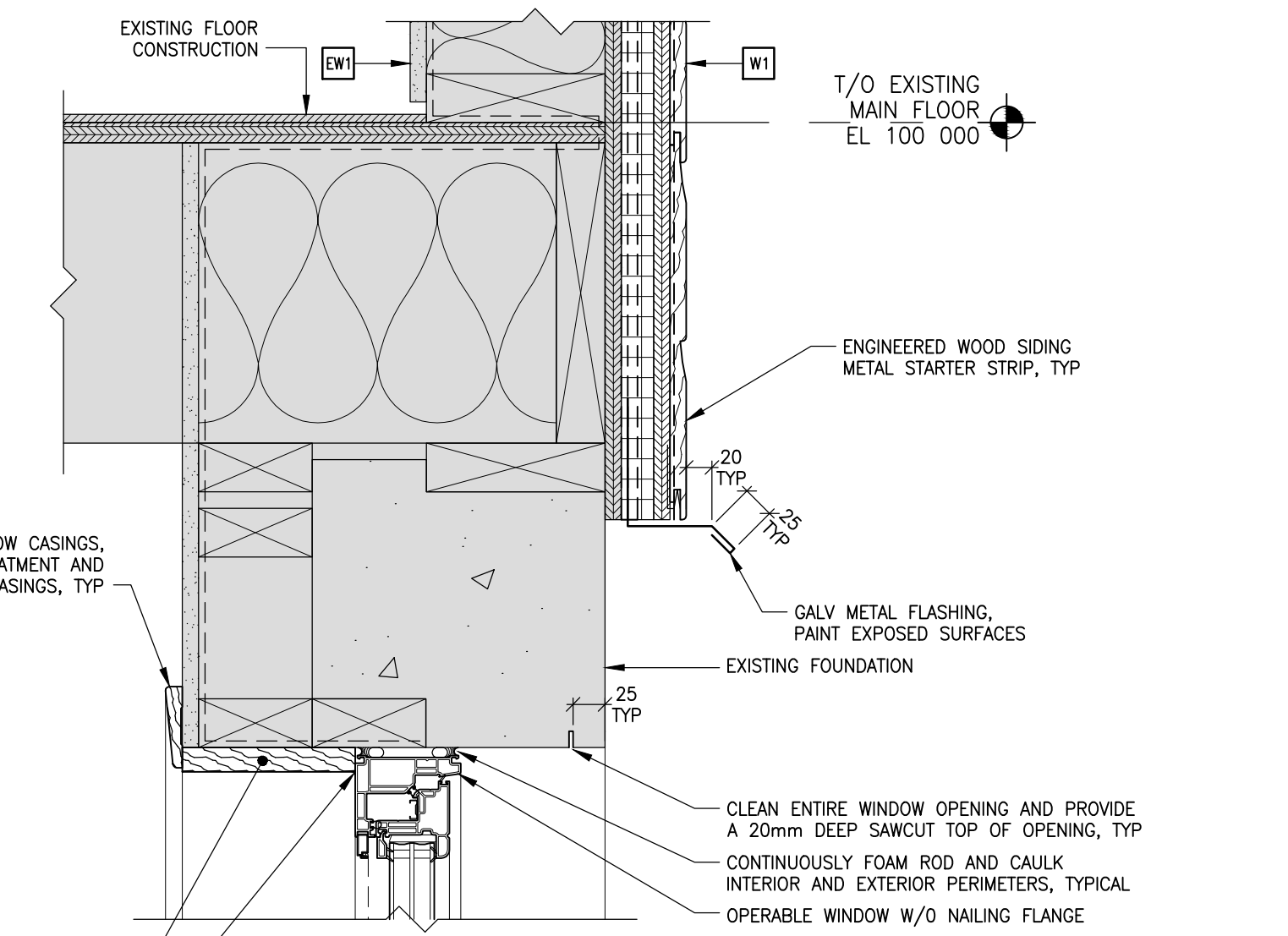
8 TYPICAL FIXED WINDOW HEAD
A101/A301 1:5



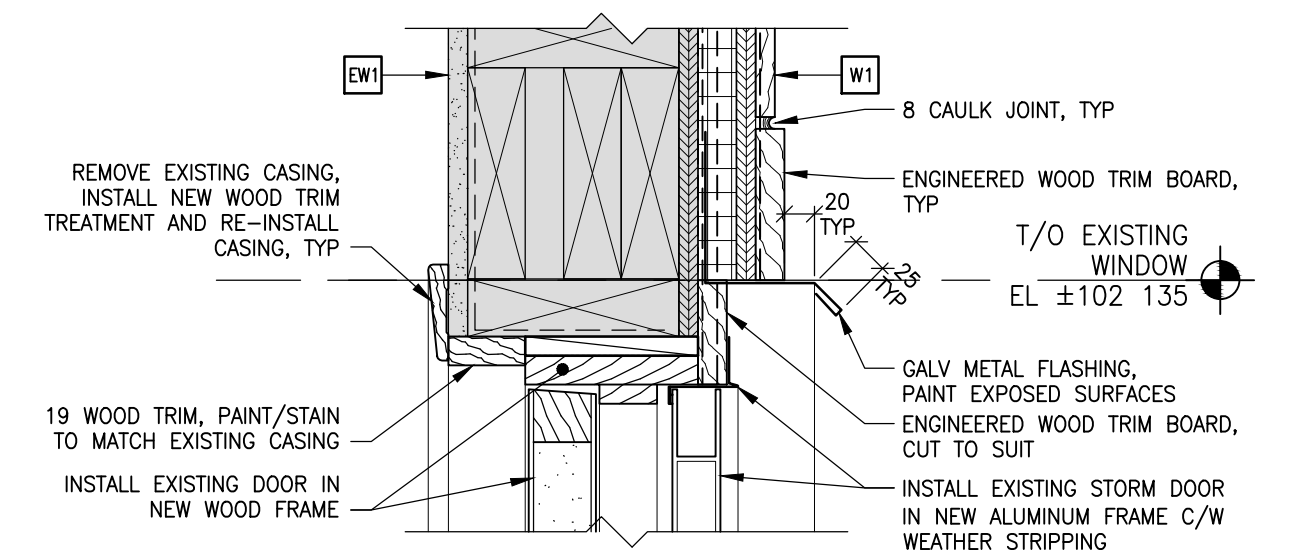
3 TYPICAL OPERABLE WINDOW SILL
A101/A301 1:5



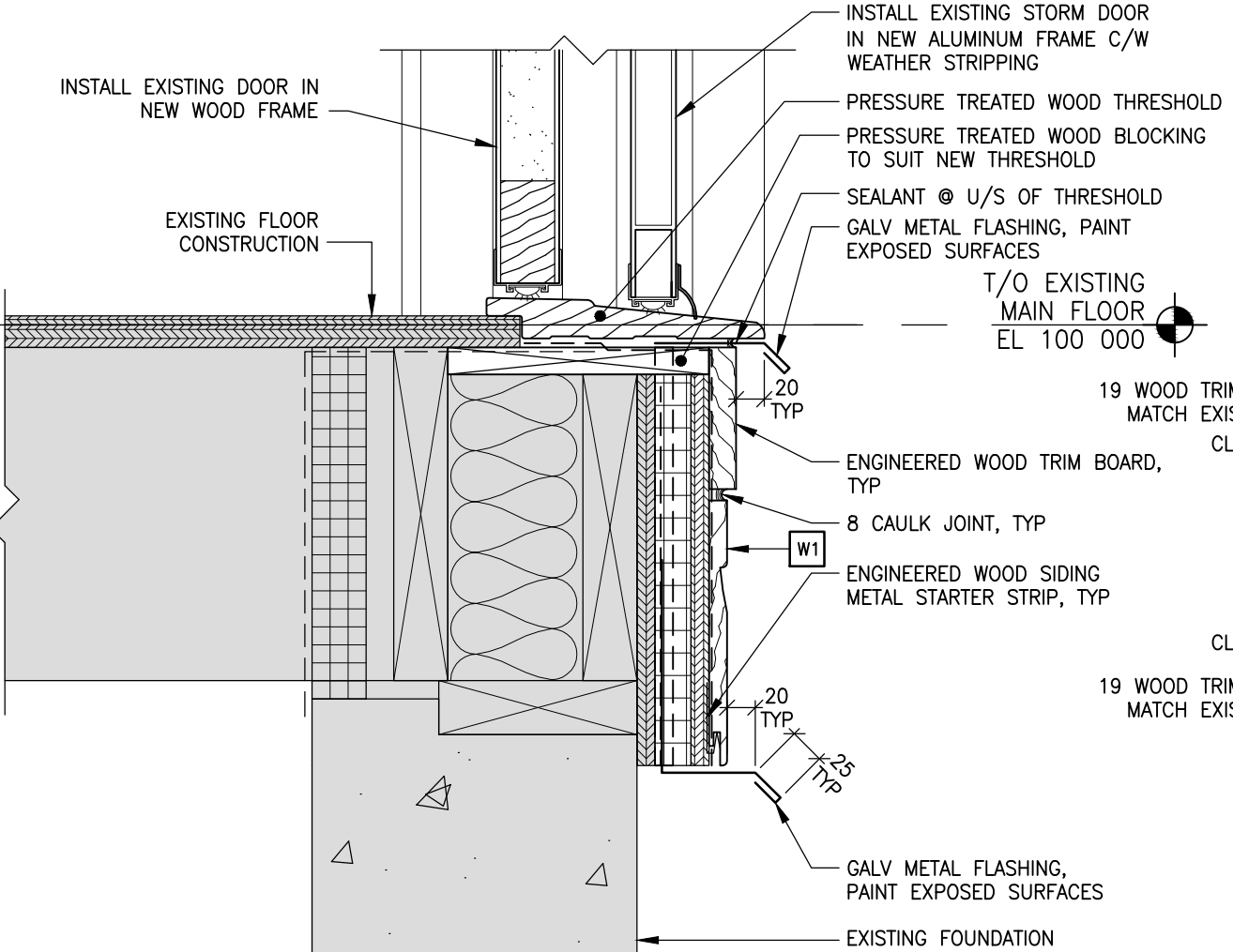
7 TYPICAL FIXED WINDOW SILL
A101/A301 1:5



2 TYPICAL BASEMENT WINDOW HEAD
A101/A301 1:5



6 TYPICAL DOOR HEAD
A101/A301 1:5

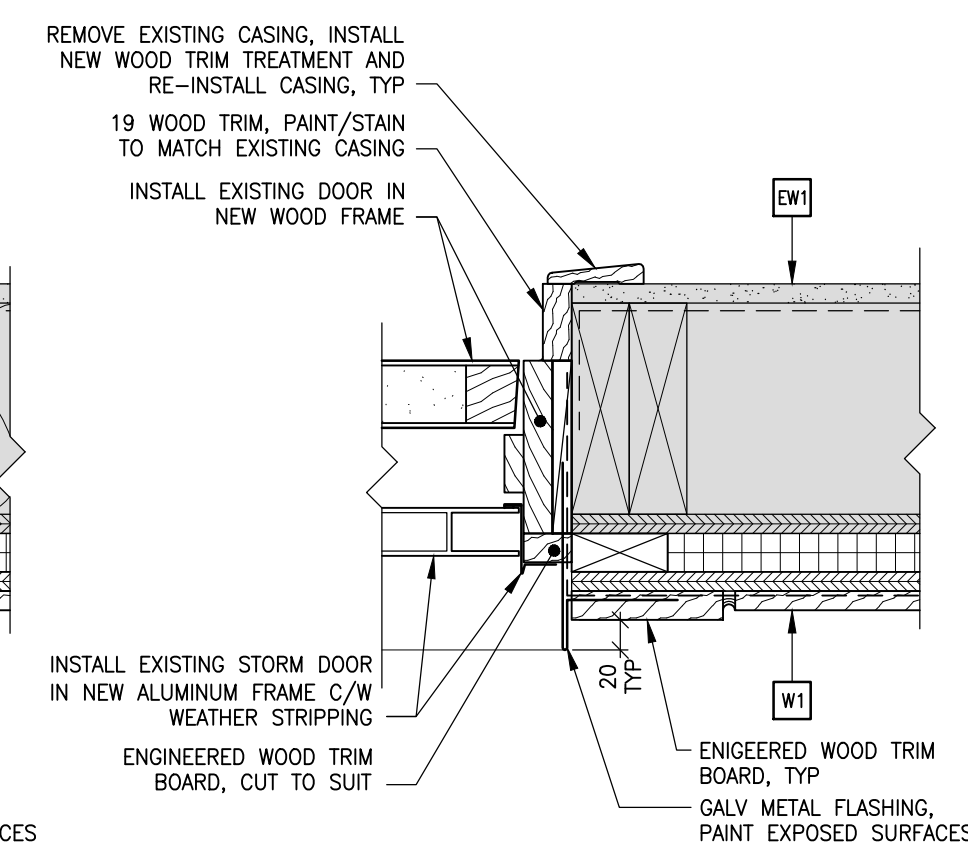


5 TYPICAL DOOR THRESHOLD
A101/A301 1:5

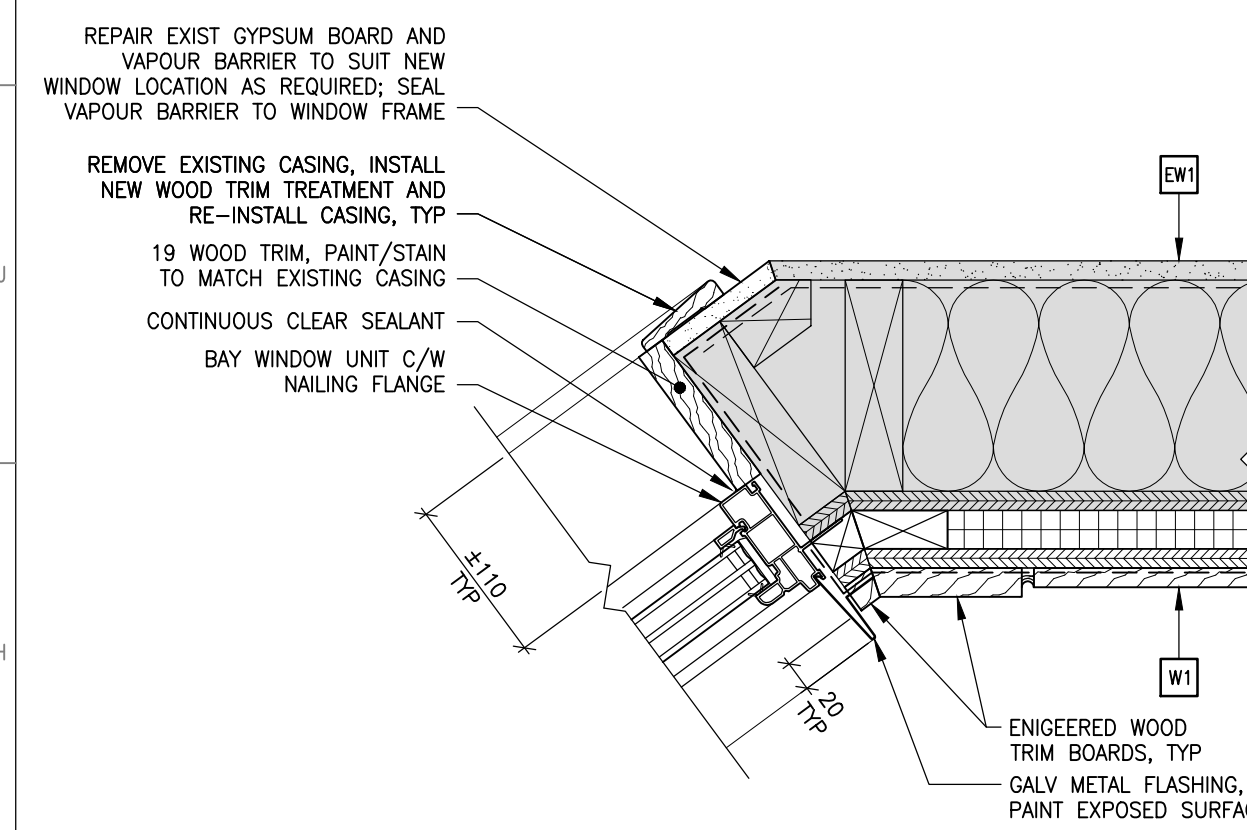
GENERAL NOTES:
1. EXISTING CONSTRUCTION SHOWN SHADED

EXTERIOR ASSEMBLIES

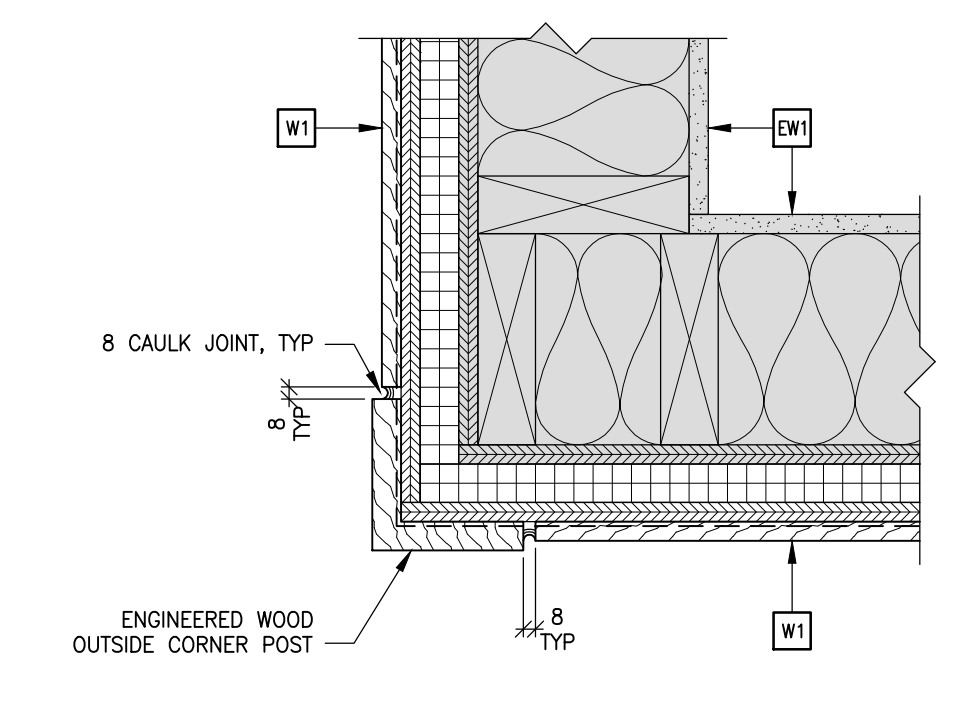
- EW1 EXISTING CONSTRUCTION:
13 GYPSUM BOARD
POLY VAPOUR BARRIER
38x140 WOOD STUDS @ 400 OC
BATT INSULATION, RSI #3.5
13 PLYWOOD SHEATHING
AIR BARRIER MEMBRANE - TO BE REMOVED
WOOD SIDING - TO BE REMOVED
- W1 NEW CONSTRUCTION:
19x64 VERT WOOD STRAPPING @ 400 OC
25 BOARD INSULATION, RSI 1.76
13 PLYWOOD SHEATHING
AIR BARRIER MEMBRANE
ENGINEERED HORIZONTAL WOOD SIDING



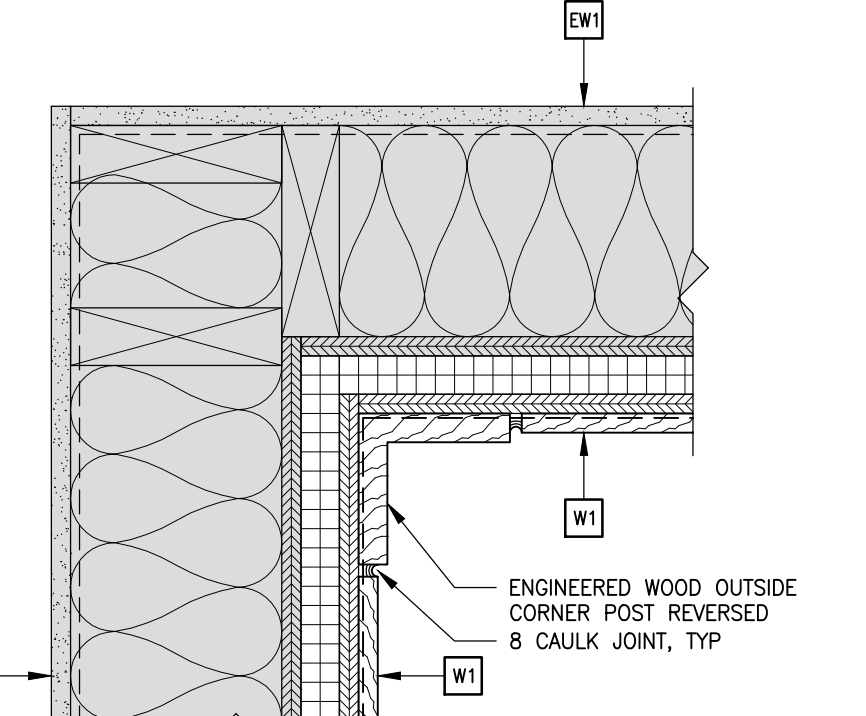
14 TYPICAL DOOR JAMB
A101/A301 1:5



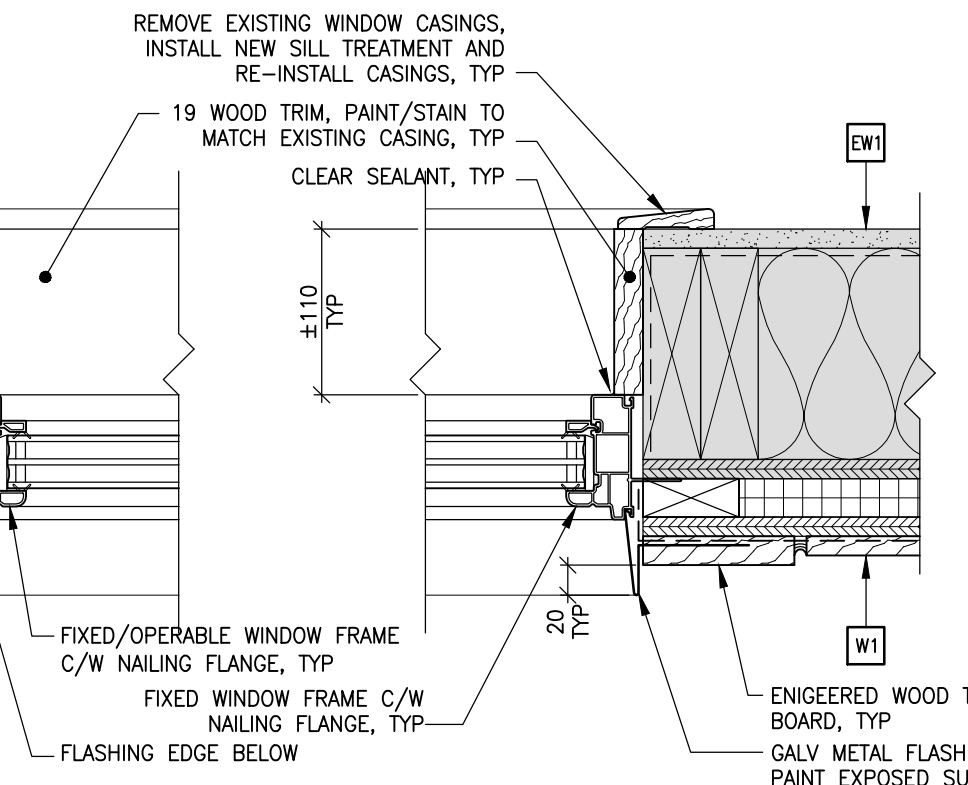
15 TYPICAL BAY WINDOW JAMB
A103/A301 1:5



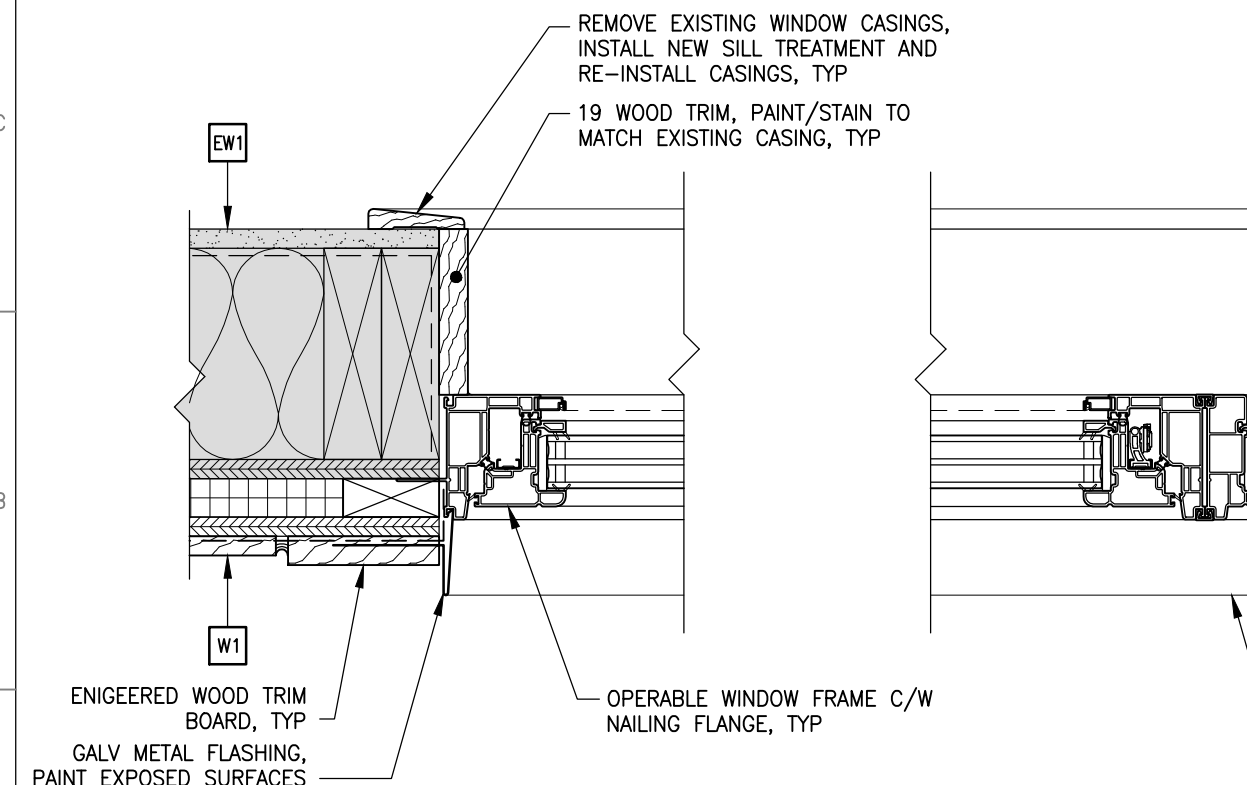
12 TYPICAL OUTSIDE CORNER
A101/A301 1:5



13 TYPICAL INSIDE CORNER
A103/A301 1:5



10 TYPICAL OPERABLE/FIXED VERT MULLION
A101/A301 1:5



11 TYPICAL OPERABLE WINDOW JAMB
A101/A301 1:5

9 TYPICAL FIXED WINDOW JAMB
A101/A301 1:5

D:\2014 PROJECTS\149-12549-01\5 Project Documents\5.4 CAD Drawings\06_Architectural\03_Sheet\3_Sections\A301_2x6.dwg 02/03/2015 21:55:36