

IQALUIT HANGAR BOILER REPLACEMENT IQALUIT, NUNAVUT CONSTRUCTION

DRAWING LIST	CONSULTANT LIST	DRAWING SYMBOLS	ABBREVIATION LIST																																																																																																																																																																																																																																																																																																																																																																
<p>DRAWING LIST</p> <p>M0.0 TITLE PAGE M1.0 KEY PLAN M2.0 PARTIAL MAIN FLOOR PLAN M2.1 ENLARGED PLAN MECHANICAL ROOM M2.2 MECHANICAL ROOM 1 - SECTION M2.3 MECHANICAL ROOM 2 - PLAN AND SECTION M3.0 SCHEMATIC TWO BOILER OPERATION M3.1 SCHEMATIC ONE BOILER OPERATION - STORAGE ROOM M3.2 SCHEMATIC ONE BOILER OPERATION - OFFICE BOILER E1.0 ELECTRICAL PLAN E2.0 SINGLE LINE DIAGRAM, SCHEDULES AND SPECIFICATIONS</p>	<p>PRIME CONSULTANT:</p> <p style="text-align: center;">can tec ENGINEERING AND DRAFTING <small>WE ARE FIRST, SMARTER, BETTER.™ (2014) 100% 100%</small></p> <p>ELECTRICAL ENGINEERING:</p> <p style="text-align: center;">JOREY ELECTRIC Engineering Consultants 6-1375 Niakwa Road E Telephone: (204) 255-4842 Winnipeg, Manitoba Facsimile: (204) 255-7679 Canada, R2J 3T3 E-mail: info@joreyelectric.com</p>	<p>① — NUMBERED NOTE</p> <p>◊ — WINDOW NUMBER</p> <p>— WALL / ROOF IDENTIFIER</p> <p>— DOOR NUMBER</p> <p>— X — DETAIL SECTION — A## — DETAIL NUMBER — SHEET SECTION LOCATED</p> <p>— X — ELEVATION IDENTIFIER — A## — DETAIL NUMBER — SHEET ELEVATION LOCATED</p> <p>— (A##) — DETAIL MARKER (SEE SPECIFICATION BOOK)</p> <hr/> <p>— X — GRID LINES</p> <hr/> <p>— (##) — DETAIL MARKER</p> <p>— (A##) — ELEVATION MARKER</p> <p>— (##) — ROOM NUMBER MARKER</p> <p>— X — DETAIL IDENTIFICATION — A## — DETAIL NUMBER — CURRENT SHEET — PAGE ORIENTATION</p>	<table border="1" style="width: 100%; border-collapse: collapse; font-size: small;"> <tr><td>ACOUSTIC</td><td>ACST</td><td>DRYWALL</td><td>DW</td><td>LAVATORY</td><td>LAV</td><td>ROOM</td><td>RM</td></tr> <tr><td>ADHESIVE</td><td>ADH</td><td>EACH</td><td>EA</td><td>LAY-IN ACOUSTIC TILE</td><td>LAT</td><td>ROUGH OPENING</td><td>RO</td></tr> <tr><td>ADJUSTABLE</td><td>ADJ</td><td>EACH WAY</td><td>EW</td><td>LEFT HAND</td><td>LH</td><td>RUBBER</td><td>RB</td></tr> <tr><td>AGGREGATE</td><td>AGGR</td><td>EAST</td><td>E</td><td>LEFT HAND REVERSE</td><td>LHR</td><td>RVT</td><td>RESILIENT SHEET FLOORING</td></tr> <tr><td>AIR VAPOUR BARRIER</td><td>AVB</td><td>ELECTRICAL</td><td>ELEC</td><td>LENGTH</td><td>LG</td><td>SCHEDULE</td><td>SCHED</td></tr> <tr><td>ALTERNATE</td><td>ALT</td><td>ELEVATION</td><td>EL</td><td>LIGHT</td><td>LT</td><td>SCREW</td><td>SCR</td></tr> <tr><td>ALUMINUM</td><td>ALUM</td><td>ELEVATOR</td><td>ELEV</td><td>LOUVRE</td><td>LVR</td><td>SECTION</td><td>SECT</td></tr> <tr><td>APARTMENT</td><td>APT</td><td>EPOXY</td><td>EP</td><td>MANUFACTURE</td><td>MFG</td><td>SELF ADHESIVE</td><td>SA</td></tr> <tr><td>APPROXIMATE</td><td>APPROX</td><td>EQUAL</td><td>EQ</td><td>MARK</td><td>MK</td><td>SHEATHING</td><td>SHTG</td></tr> <tr><td>ARCHITECTURE</td><td>ARCH</td><td>EQUALLY SPACED</td><td>EQ SP</td><td>MASONRY OPENING</td><td>MO</td><td>SHEET</td><td>SHT</td></tr> <tr><td>BEAM</td><td>BM</td><td>EQUIPMENT</td><td>EQUIP</td><td>MATERIAL</td><td>MAT</td><td>SHEET VINYL</td><td>SV</td></tr> <tr><td>BENCH MARK</td><td>BM</td><td>EXISTING</td><td>EXIST</td><td>MECHANICAL</td><td>MECH</td><td>SIMILAR</td><td>SIM</td></tr> <tr><td>BETWEEN</td><td>BTWN</td><td>EXPANSION</td><td>EXP</td><td>MINIMUM</td><td>MIN</td><td>SOLID CORE</td><td>SC</td></tr> <tr><td>BLOCK</td><td>BLK</td><td>EXTERIOR</td><td>EXT</td><td>MISCELLANEOUS</td><td>MISC</td><td>SOUTH</td><td>S</td></tr> <tr><td>BOARD</td><td>BD</td><td>EXTRUDE</td><td>EXTR</td><td>NEAR FACE</td><td>NF</td><td>SPECIFICATION</td><td>SPEC</td></tr> <tr><td>BOTH SIDES</td><td>BS</td><td>FACE TO FACE</td><td>F/F</td><td>NEAR SIDE</td><td>NS</td><td>SPRUCE</td><td>SPR</td></tr> <tr><td>BOTH WAYS</td><td>BW</td><td>FAR SIDE</td><td>FS</td><td>NORTH</td><td>N</td><td>SPRUCE, PINE OR FIR</td><td>S/P/F</td></tr> <tr><td>BOTTOM</td><td>BOT</td><td>FIBREBOARD</td><td>FBRBD</td><td>NOT APPLICABLE</td><td>N/A</td><td>STAIN</td><td>ST</td></tr> <tr><td>BUILDING</td><td>BLDG</td><td>FINISH</td><td>FIN</td><td>NOT IN CONTRACT</td><td>NIC</td><td>STAINLESS STEEL</td><td>SS</td></tr> <tr><td>CARPET</td><td>CPT</td><td>FLOOR</td><td>FL</td><td>NOT TO SCALE</td><td>NTS</td><td>STANDARD</td><td>STD</td></tr> <tr><td>CAST IRON</td><td>CI</td><td>FLOOR DRAIN</td><td>FD</td><td>NUMBER</td><td>NO</td><td>STEEL</td><td>STL</td></tr> <tr><td>CEILING</td><td>CLG</td><td>FLOORING</td><td>FLG</td><td>ON CENTRE</td><td>O/C</td><td>STRUCTURAL</td><td>STRUCT</td></tr> <tr><td>CEMENT BOARD</td><td>CBD</td><td>FLUORESCENT</td><td>FLR</td><td>OUT TO OUT</td><td>O/O</td><td>SQUARE FEET</td><td>SF</td></tr> <tr><td>CENTRE</td><td>CTR</td><td>FOOTING</td><td>FTG</td><td>OUTSIDE DIAMETER</td><td>OD</td><td>TEMPORARY</td><td>TEMP</td></tr> <tr><td>CENTRE TO CENTRE</td><td>C/C</td><td>FOUNDATION</td><td>FDN</td><td>OUTSIDE FACE</td><td>OF</td><td>THROUGH</td><td>THRU</td></tr> <tr><td>CERAMIC TILE</td><td>CT</td><td>FULL SIZE</td><td>FS</td><td>OVERHEAD</td><td>OH</td><td>TO MATCH EXISTING</td><td>TME</td></tr> <tr><td>CIRCLE</td><td>CIRC</td><td>GALVANIZED</td><td>GALV</td><td>PAINT</td><td>PT</td><td>TONGUE AND GROOVE</td><td>T&G</td></tr> <tr><td>CLEAR</td><td>CLR</td><td>GALVANIZED IRON</td><td>GI</td><td>PAINTED</td><td>PTD</td><td>TOP AND BOTTOM</td><td>T&B</td></tr> <tr><td>COLUMN</td><td>COL</td><td>GAUGE</td><td>GA</td><td>PARTITION</td><td>PTN</td><td>TOP OF</td><td>T/O</td></tr> <tr><td>COMPLETE WITH</td><td>C/W</td><td>GLASS</td><td>GL</td><td>PLYWOOD</td><td>PLYWD</td><td>TYPICAL</td><td>TYP</td></tr> <tr><td>CONCRETE</td><td>CONC</td><td>HARDWARE</td><td>HDW</td><td>PRECAST</td><td>PC</td><td>UNDER SIDE</td><td>U/S</td></tr> <tr><td>CONCRETE BLOCK</td><td>CBLK</td><td>HEIGHT</td><td>HGT</td><td>PRECAST CONCRETE</td><td>PC CONC</td><td>UNDERCUT</td><td>UCUT</td></tr> <tr><td>CONSTRUCTION</td><td>CONST</td><td>HEXAGON</td><td>HEX</td><td>PREFABRICATION</td><td>PREFAB</td><td>URINAL</td><td>UR</td></tr> <tr><td>CONTINUOUS</td><td>CONT</td><td>HOLLOW CORE</td><td>HC</td><td>PREFINISHED</td><td>PREFIN</td><td>VAPOUR BARRIER</td><td>VB</td></tr> <tr><td>CONTROL JOINT</td><td>CJ</td><td>HOLLOW METAL</td><td>HM</td><td>PRESSED STEEL</td><td>PS</td><td>VERTICAL</td><td>VERT</td></tr> <tr><td>COUNTERSINK</td><td>CSK</td><td>HORIZONTAL</td><td>HORIZ</td><td>QUANTITY</td><td>QTY</td><td>VINYL ASBESTOS TILE</td><td>VAT</td></tr> <tr><td>COVERED SHEET VINYL</td><td>CSV</td><td>INCLUSIVE</td><td>INCL</td><td>QUARRY TILE</td><td>QT</td><td>VINYL COVE BASE</td><td>VCB</td></tr> <tr><td>DETAIL</td><td>DTL</td><td>INSIDE DIAMETER</td><td>ID</td><td>RADIUS</td><td>R</td><td>VINYL TILE</td><td>VT</td></tr> <tr><td>DEMOLISH</td><td>DEMO</td><td>INSIDE FACE</td><td>IF</td><td>RAINWATER LEADER</td><td>RWL</td><td>VINYL WALL COVERING</td><td>VWC</td></tr> <tr><td>DIAGONAL</td><td>DIAG</td><td>INSULATE</td><td>INSUL</td><td>REFERENCE</td><td>REF</td><td>WATER CLOSET</td><td>WC</td></tr> <tr><td>DIAMETER</td><td>DIA</td><td>INTERIOR</td><td>INT</td><td>REINFORCE</td><td>REINF</td><td>WEATHERSTRIPPING</td><td>WS</td></tr> <tr><td>DIMENSION</td><td>DIM</td><td>JOINT</td><td>JT</td><td>RESILIENT</td><td>RESIL</td><td>WEIGHT</td><td>WT</td></tr> <tr><td>DOOR</td><td>DR</td><td>JOIST</td><td>JST</td><td>REVERSE</td><td>RVS</td><td>WITH</td><td>W</td></tr> <tr><td>DOUBLE</td><td>DBL</td><td>KNOCK DOWN</td><td>KD</td><td>REVISION</td><td>REV</td><td>WITHOUT</td><td>W/O</td></tr> </table>	ACOUSTIC	ACST	DRYWALL	DW	LAVATORY	LAV	ROOM	RM	ADHESIVE	ADH	EACH	EA	LAY-IN ACOUSTIC TILE	LAT	ROUGH OPENING	RO	ADJUSTABLE	ADJ	EACH WAY	EW	LEFT HAND	LH	RUBBER	RB	AGGREGATE	AGGR	EAST	E	LEFT HAND REVERSE	LHR	RVT	RESILIENT SHEET FLOORING	AIR VAPOUR BARRIER	AVB	ELECTRICAL	ELEC	LENGTH	LG	SCHEDULE	SCHED	ALTERNATE	ALT	ELEVATION	EL	LIGHT	LT	SCREW	SCR	ALUMINUM	ALUM	ELEVATOR	ELEV	LOUVRE	LVR	SECTION	SECT	APARTMENT	APT	EPOXY	EP	MANUFACTURE	MFG	SELF ADHESIVE	SA	APPROXIMATE	APPROX	EQUAL	EQ	MARK	MK	SHEATHING	SHTG	ARCHITECTURE	ARCH	EQUALLY SPACED	EQ SP	MASONRY OPENING	MO	SHEET	SHT	BEAM	BM	EQUIPMENT	EQUIP	MATERIAL	MAT	SHEET VINYL	SV	BENCH MARK	BM	EXISTING	EXIST	MECHANICAL	MECH	SIMILAR	SIM	BETWEEN	BTWN	EXPANSION	EXP	MINIMUM	MIN	SOLID CORE	SC	BLOCK	BLK	EXTERIOR	EXT	MISCELLANEOUS	MISC	SOUTH	S	BOARD	BD	EXTRUDE	EXTR	NEAR FACE	NF	SPECIFICATION	SPEC	BOTH SIDES	BS	FACE TO FACE	F/F	NEAR SIDE	NS	SPRUCE	SPR	BOTH WAYS	BW	FAR SIDE	FS	NORTH	N	SPRUCE, PINE OR FIR	S/P/F	BOTTOM	BOT	FIBREBOARD	FBRBD	NOT APPLICABLE	N/A	STAIN	ST	BUILDING	BLDG	FINISH	FIN	NOT IN CONTRACT	NIC	STAINLESS STEEL	SS	CARPET	CPT	FLOOR	FL	NOT TO SCALE	NTS	STANDARD	STD	CAST IRON	CI	FLOOR DRAIN	FD	NUMBER	NO	STEEL	STL	CEILING	CLG	FLOORING	FLG	ON CENTRE	O/C	STRUCTURAL	STRUCT	CEMENT BOARD	CBD	FLUORESCENT	FLR	OUT TO OUT	O/O	SQUARE FEET	SF	CENTRE	CTR	FOOTING	FTG	OUTSIDE DIAMETER	OD	TEMPORARY	TEMP	CENTRE TO CENTRE	C/C	FOUNDATION	FDN	OUTSIDE FACE	OF	THROUGH	THRU	CERAMIC TILE	CT	FULL SIZE	FS	OVERHEAD	OH	TO MATCH EXISTING	TME	CIRCLE	CIRC	GALVANIZED	GALV	PAINT	PT	TONGUE AND GROOVE	T&G	CLEAR	CLR	GALVANIZED IRON	GI	PAINTED	PTD	TOP AND BOTTOM	T&B	COLUMN	COL	GAUGE	GA	PARTITION	PTN	TOP OF	T/O	COMPLETE WITH	C/W	GLASS	GL	PLYWOOD	PLYWD	TYPICAL	TYP	CONCRETE	CONC	HARDWARE	HDW	PRECAST	PC	UNDER SIDE	U/S	CONCRETE BLOCK	CBLK	HEIGHT	HGT	PRECAST CONCRETE	PC CONC	UNDERCUT	UCUT	CONSTRUCTION	CONST	HEXAGON	HEX	PREFABRICATION	PREFAB	URINAL	UR	CONTINUOUS	CONT	HOLLOW CORE	HC	PREFINISHED	PREFIN	VAPOUR BARRIER	VB	CONTROL JOINT	CJ	HOLLOW METAL	HM	PRESSED STEEL	PS	VERTICAL	VERT	COUNTERSINK	CSK	HORIZONTAL	HORIZ	QUANTITY	QTY	VINYL ASBESTOS TILE	VAT	COVERED SHEET VINYL	CSV	INCLUSIVE	INCL	QUARRY TILE	QT	VINYL COVE BASE	VCB	DETAIL	DTL	INSIDE DIAMETER	ID	RADIUS	R	VINYL TILE	VT	DEMOLISH	DEMO	INSIDE FACE	IF	RAINWATER LEADER	RWL	VINYL WALL COVERING	VWC	DIAGONAL	DIAG	INSULATE	INSUL	REFERENCE	REF	WATER CLOSET	WC	DIAMETER	DIA	INTERIOR	INT	REINFORCE	REINF	WEATHERSTRIPPING	WS	DIMENSION	DIM	JOINT	JT	RESILIENT	RESIL	WEIGHT	WT	DOOR	DR	JOIST	JST	REVERSE	RVS	WITH	W	DOUBLE	DBL	KNOCK DOWN	KD	REVISION	REV	WITHOUT	W/O
ACOUSTIC	ACST	DRYWALL	DW	LAVATORY	LAV	ROOM	RM																																																																																																																																																																																																																																																																																																																																																												
ADHESIVE	ADH	EACH	EA	LAY-IN ACOUSTIC TILE	LAT	ROUGH OPENING	RO																																																																																																																																																																																																																																																																																																																																																												
ADJUSTABLE	ADJ	EACH WAY	EW	LEFT HAND	LH	RUBBER	RB																																																																																																																																																																																																																																																																																																																																																												
AGGREGATE	AGGR	EAST	E	LEFT HAND REVERSE	LHR	RVT	RESILIENT SHEET FLOORING																																																																																																																																																																																																																																																																																																																																																												
AIR VAPOUR BARRIER	AVB	ELECTRICAL	ELEC	LENGTH	LG	SCHEDULE	SCHED																																																																																																																																																																																																																																																																																																																																																												
ALTERNATE	ALT	ELEVATION	EL	LIGHT	LT	SCREW	SCR																																																																																																																																																																																																																																																																																																																																																												
ALUMINUM	ALUM	ELEVATOR	ELEV	LOUVRE	LVR	SECTION	SECT																																																																																																																																																																																																																																																																																																																																																												
APARTMENT	APT	EPOXY	EP	MANUFACTURE	MFG	SELF ADHESIVE	SA																																																																																																																																																																																																																																																																																																																																																												
APPROXIMATE	APPROX	EQUAL	EQ	MARK	MK	SHEATHING	SHTG																																																																																																																																																																																																																																																																																																																																																												
ARCHITECTURE	ARCH	EQUALLY SPACED	EQ SP	MASONRY OPENING	MO	SHEET	SHT																																																																																																																																																																																																																																																																																																																																																												
BEAM	BM	EQUIPMENT	EQUIP	MATERIAL	MAT	SHEET VINYL	SV																																																																																																																																																																																																																																																																																																																																																												
BENCH MARK	BM	EXISTING	EXIST	MECHANICAL	MECH	SIMILAR	SIM																																																																																																																																																																																																																																																																																																																																																												
BETWEEN	BTWN	EXPANSION	EXP	MINIMUM	MIN	SOLID CORE	SC																																																																																																																																																																																																																																																																																																																																																												
BLOCK	BLK	EXTERIOR	EXT	MISCELLANEOUS	MISC	SOUTH	S																																																																																																																																																																																																																																																																																																																																																												
BOARD	BD	EXTRUDE	EXTR	NEAR FACE	NF	SPECIFICATION	SPEC																																																																																																																																																																																																																																																																																																																																																												
BOTH SIDES	BS	FACE TO FACE	F/F	NEAR SIDE	NS	SPRUCE	SPR																																																																																																																																																																																																																																																																																																																																																												
BOTH WAYS	BW	FAR SIDE	FS	NORTH	N	SPRUCE, PINE OR FIR	S/P/F																																																																																																																																																																																																																																																																																																																																																												
BOTTOM	BOT	FIBREBOARD	FBRBD	NOT APPLICABLE	N/A	STAIN	ST																																																																																																																																																																																																																																																																																																																																																												
BUILDING	BLDG	FINISH	FIN	NOT IN CONTRACT	NIC	STAINLESS STEEL	SS																																																																																																																																																																																																																																																																																																																																																												
CARPET	CPT	FLOOR	FL	NOT TO SCALE	NTS	STANDARD	STD																																																																																																																																																																																																																																																																																																																																																												
CAST IRON	CI	FLOOR DRAIN	FD	NUMBER	NO	STEEL	STL																																																																																																																																																																																																																																																																																																																																																												
CEILING	CLG	FLOORING	FLG	ON CENTRE	O/C	STRUCTURAL	STRUCT																																																																																																																																																																																																																																																																																																																																																												
CEMENT BOARD	CBD	FLUORESCENT	FLR	OUT TO OUT	O/O	SQUARE FEET	SF																																																																																																																																																																																																																																																																																																																																																												
CENTRE	CTR	FOOTING	FTG	OUTSIDE DIAMETER	OD	TEMPORARY	TEMP																																																																																																																																																																																																																																																																																																																																																												
CENTRE TO CENTRE	C/C	FOUNDATION	FDN	OUTSIDE FACE	OF	THROUGH	THRU																																																																																																																																																																																																																																																																																																																																																												
CERAMIC TILE	CT	FULL SIZE	FS	OVERHEAD	OH	TO MATCH EXISTING	TME																																																																																																																																																																																																																																																																																																																																																												
CIRCLE	CIRC	GALVANIZED	GALV	PAINT	PT	TONGUE AND GROOVE	T&G																																																																																																																																																																																																																																																																																																																																																												
CLEAR	CLR	GALVANIZED IRON	GI	PAINTED	PTD	TOP AND BOTTOM	T&B																																																																																																																																																																																																																																																																																																																																																												
COLUMN	COL	GAUGE	GA	PARTITION	PTN	TOP OF	T/O																																																																																																																																																																																																																																																																																																																																																												
COMPLETE WITH	C/W	GLASS	GL	PLYWOOD	PLYWD	TYPICAL	TYP																																																																																																																																																																																																																																																																																																																																																												
CONCRETE	CONC	HARDWARE	HDW	PRECAST	PC	UNDER SIDE	U/S																																																																																																																																																																																																																																																																																																																																																												
CONCRETE BLOCK	CBLK	HEIGHT	HGT	PRECAST CONCRETE	PC CONC	UNDERCUT	UCUT																																																																																																																																																																																																																																																																																																																																																												
CONSTRUCTION	CONST	HEXAGON	HEX	PREFABRICATION	PREFAB	URINAL	UR																																																																																																																																																																																																																																																																																																																																																												
CONTINUOUS	CONT	HOLLOW CORE	HC	PREFINISHED	PREFIN	VAPOUR BARRIER	VB																																																																																																																																																																																																																																																																																																																																																												
CONTROL JOINT	CJ	HOLLOW METAL	HM	PRESSED STEEL	PS	VERTICAL	VERT																																																																																																																																																																																																																																																																																																																																																												
COUNTERSINK	CSK	HORIZONTAL	HORIZ	QUANTITY	QTY	VINYL ASBESTOS TILE	VAT																																																																																																																																																																																																																																																																																																																																																												
COVERED SHEET VINYL	CSV	INCLUSIVE	INCL	QUARRY TILE	QT	VINYL COVE BASE	VCB																																																																																																																																																																																																																																																																																																																																																												
DETAIL	DTL	INSIDE DIAMETER	ID	RADIUS	R	VINYL TILE	VT																																																																																																																																																																																																																																																																																																																																																												
DEMOLISH	DEMO	INSIDE FACE	IF	RAINWATER LEADER	RWL	VINYL WALL COVERING	VWC																																																																																																																																																																																																																																																																																																																																																												
DIAGONAL	DIAG	INSULATE	INSUL	REFERENCE	REF	WATER CLOSET	WC																																																																																																																																																																																																																																																																																																																																																												
DIAMETER	DIA	INTERIOR	INT	REINFORCE	REINF	WEATHERSTRIPPING	WS																																																																																																																																																																																																																																																																																																																																																												
DIMENSION	DIM	JOINT	JT	RESILIENT	RESIL	WEIGHT	WT																																																																																																																																																																																																																																																																																																																																																												
DOOR	DR	JOIST	JST	REVERSE	RVS	WITH	W																																																																																																																																																																																																																																																																																																																																																												
DOUBLE	DBL	KNOCK DOWN	KD	REVISION	REV	WITHOUT	W/O																																																																																																																																																																																																																																																																																																																																																												



PROJECT TITLE:
IQALUIT HANGAR - BOILER REPLACEMENT

SHEET TITLE:
KEY PLAN

PROJECT NUMBER:
16-068-01-30

00	ISSUED FOR CONSTRUCTION	17 05 17	RS
REV. #	REVISION	DATE (YY MM DD)	REV. BY

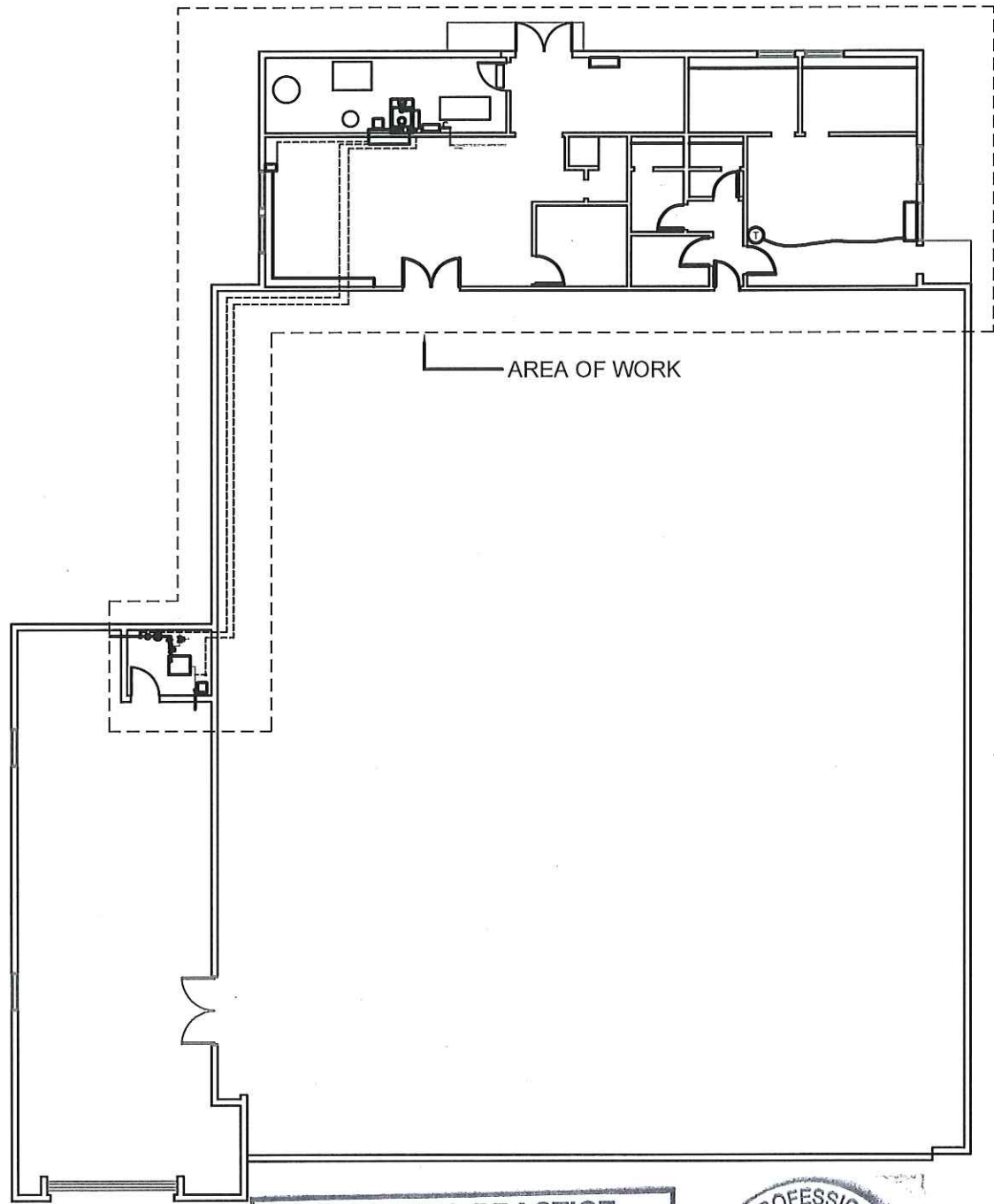
REV. #	REVISION	DATE (YY MM DD)	REV. BY
--------	----------	-----------------	---------

SCALE:
AS NOTED

DATE (YY MM DD):
17 05 17

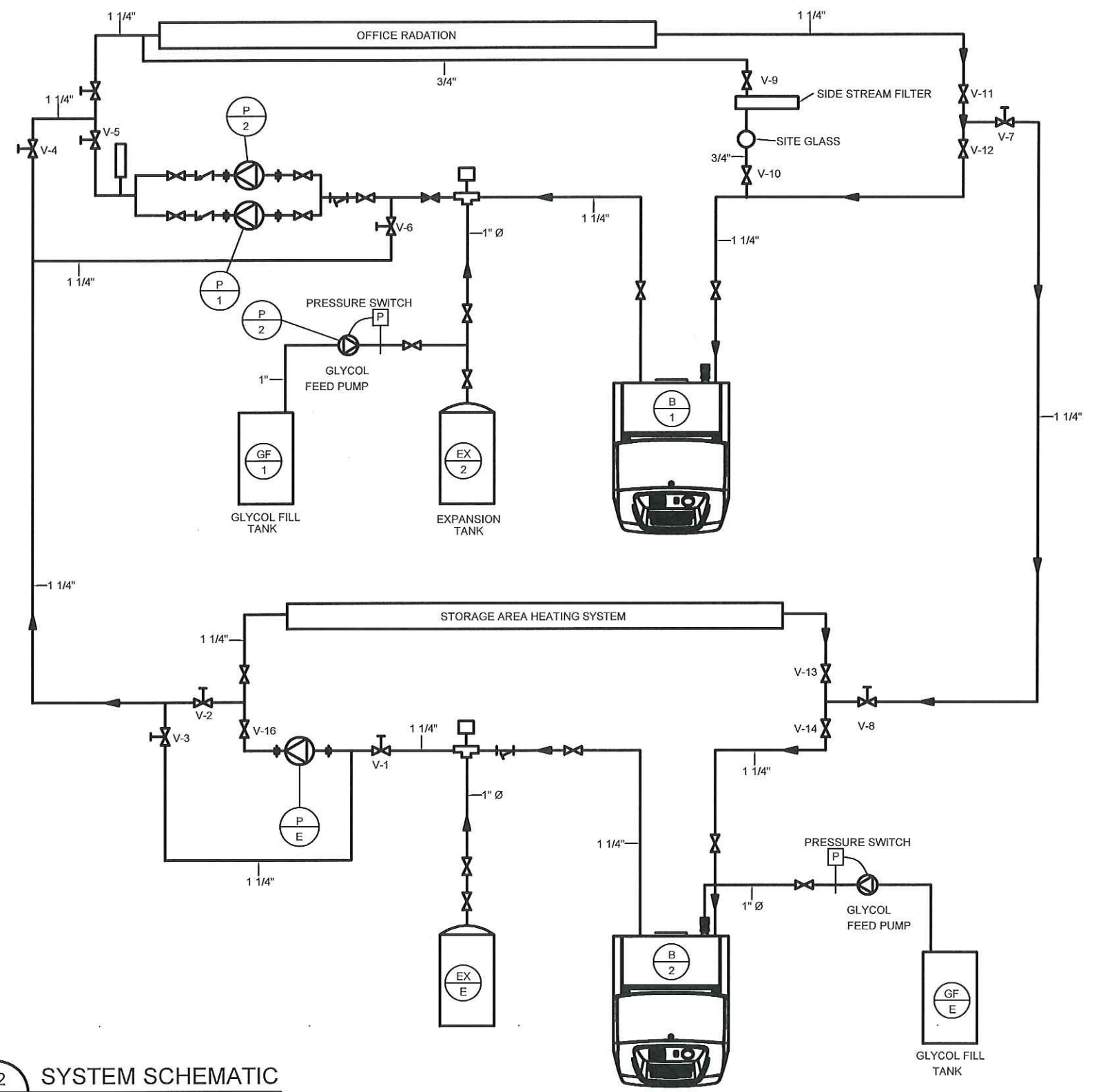
DRAWING NUMBER:
M0.0

REVISION NUMBER:
00



01 KEY PLAN
M1.0 SCALE: NTS

PERMIT TO PRACTICE
CAN-TEC SERVICES LTD.
Signature *J. Loesel Sitar*
Date *05/18/17*
PERMIT NUMBER: P 647
NWT/NU Association of Professional
Engineers and Geoscientists



02 SYSTEM SCHEMATIC
M1.0 SCALE: NTS



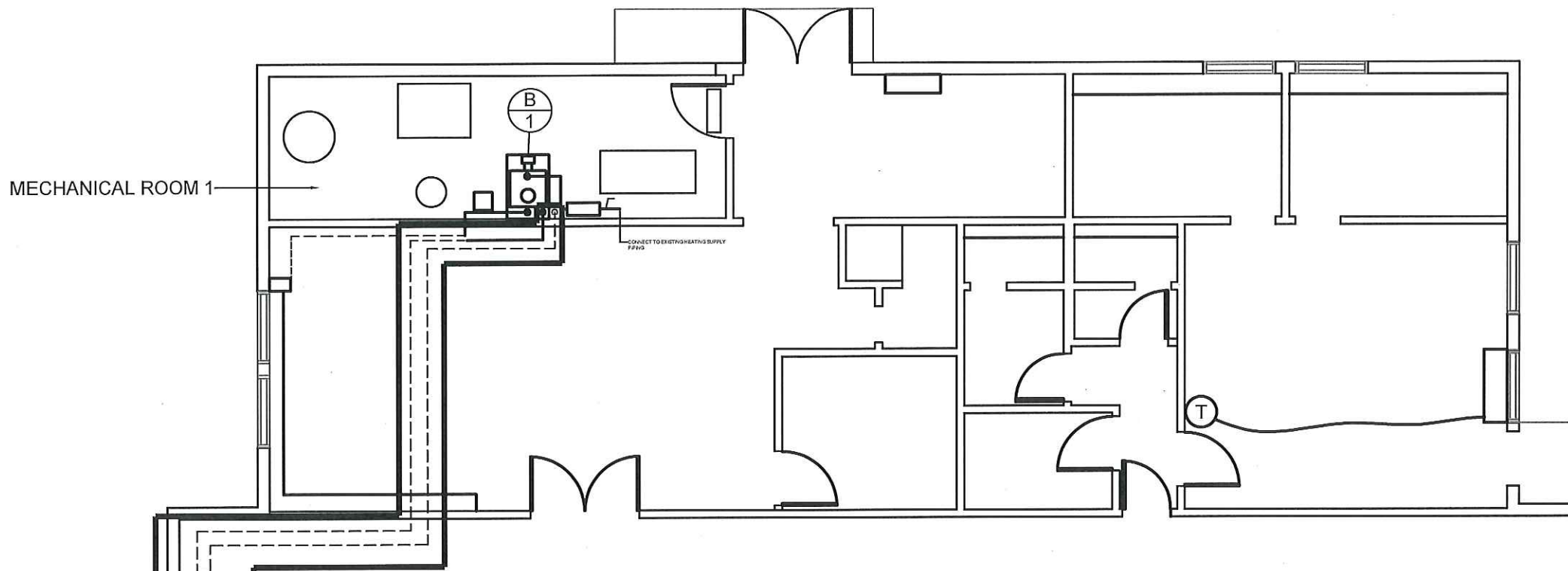
PROJECT TITLE:
IQALUIT HANGAR - BOILER REPLACEMENT
SHEET TITLE:
KEY PLAN AND SYSTEM SCHEMATIC
PROJECT NUMBER:
16-068-01-30

00	ISSUED FOR CONSTRUCTION	17 05 17	RS
REV. #	REVISION	DATE (YY MM DD)	REV. BY

REV. #	REVISION	DATE (YY MM DD)	REV. BY
--------	----------	-----------------	---------

SCALE:
AS NOTED
DATE (YY MM DD):
17 05 17

DRAWING NUMBER:
M1.0
REVISION NUMBER:
00



01 PARTIAL FLOOR PLAN
M2.0 SCALE: 1/8"=1'-0"

DRAWING NOTES: #

- INSULATE ENTIRE RUN OF EXISTING COPPER HOT WATER BYPASS SUPPLY AND RETURN LINES BETWEEN BOILER B-1 AND BOILER B-2 AS PER SPECIFICATION.

MECHANICAL ROOM 2

PERMIT TO PRACTICE
CAN-TEC SERVICES LTD.
Signature *J. Loesel Sitar*
Date *05/18/17*
PERMIT NUMBER: P 647
NWT/NU Association of Professional
Engineers and Geoscientists



PROJECT TITLE:
IQALUIT HANGAR - BOILER REPLACEMENT
SHEET TITLE:
SYSTEM SCHEMATIC
PROJECT NUMBER:
16-068-01-30

00	ISSUED FOR CONSTRUCTION	17 05 17	RS
REV. #	REVISION	DATE (YY MM DD)	REV. BY

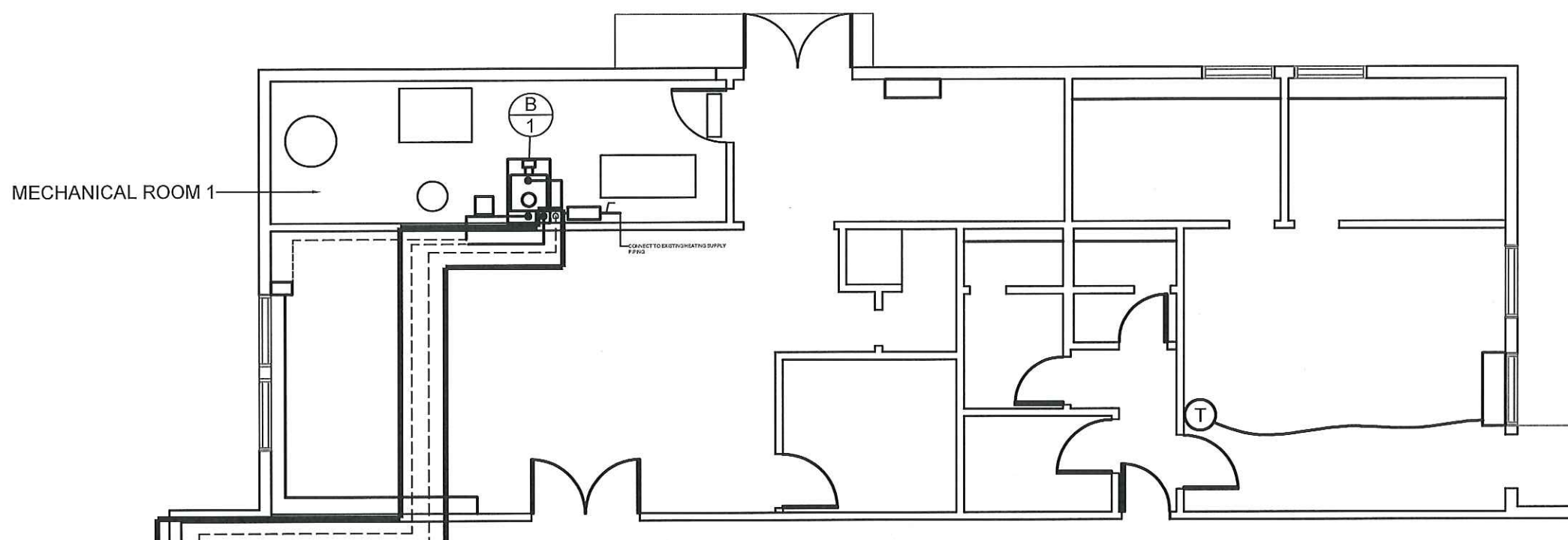
REV. #	REVISION	DATE (YY MM DD)	REV. BY
--------	----------	-----------------	---------

SCALE:
AS NOTED
DATE (YY MM DD):
17 05 17

DRAWING NUMBER:

M1.1

REVISION NUMBER:
00

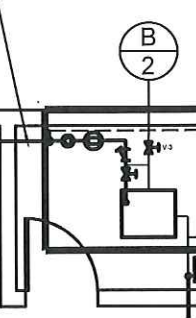


01 PARTIAL FLOOR PLAN
M2.0 SCALE: 1/8"=1'-0"

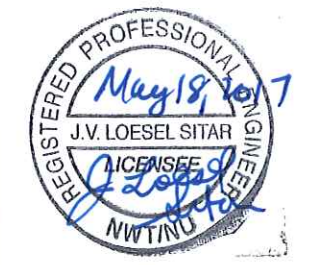
DRAWING NOTES: #

1. INSULATE ENTIRE RUN OF EXISTING COPPER HOT WATER BYPASS SUPPLY AND RETURN LINES BETWEEN BOILER B-1 AND BOILER B-2 AS PER SPECIFICATION.

MECHANICAL ROOM 2



PERMIT TO PRACTICE
CAN-TEC SERVICES LTD.
Signature *J. Loesel Sitar*
Date *05/18/17*
PERMIT NUMBER: P 647
NWT/NU Association of Professional
Engineers and Geoscientists



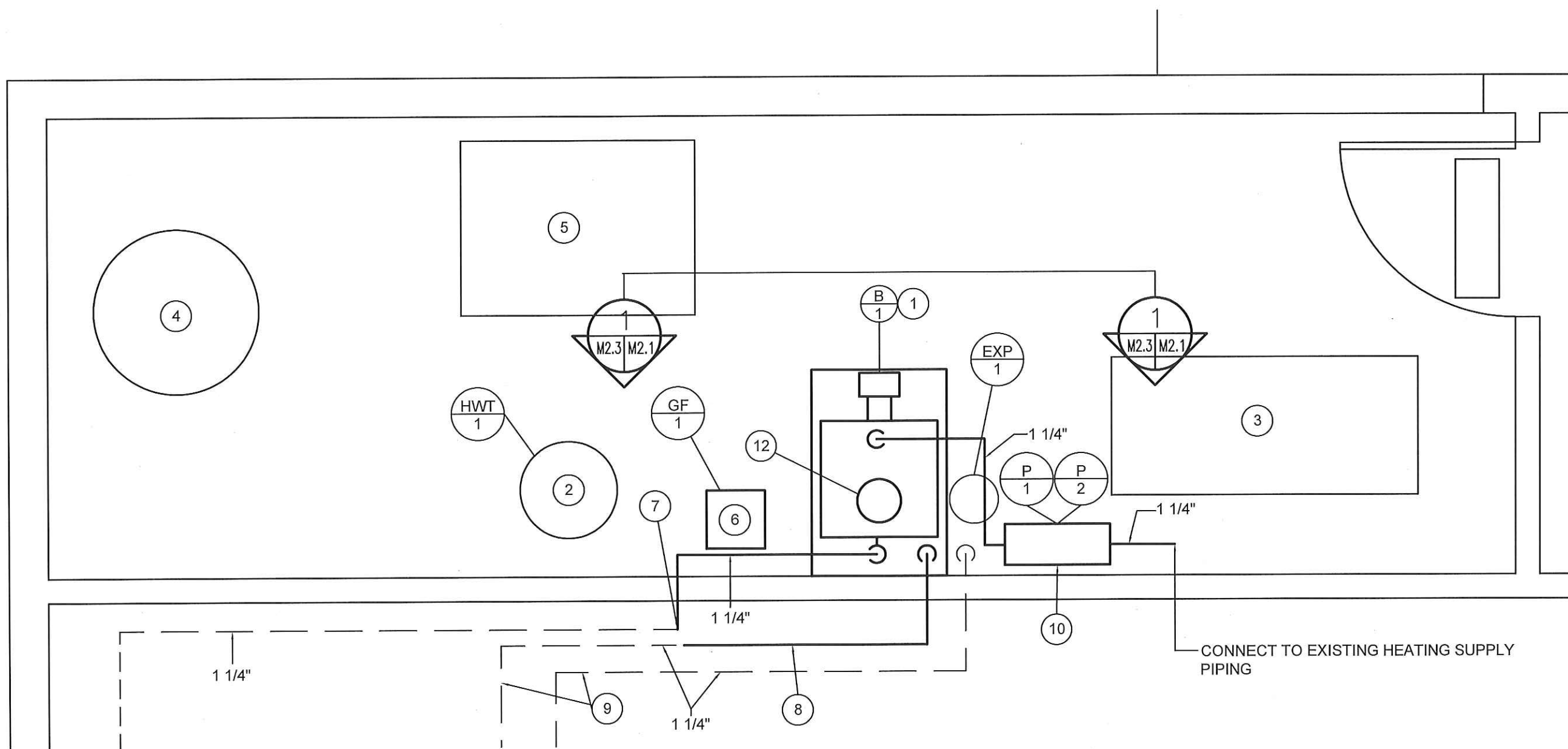
PROJECT TITLE:
IQALUIT HANGAR - BOILER REPLACEMENT
SHEET TITLE:
SYSTEM SCHEMATIC
PROJECT NUMBER:
16-068-01-30

REV. #	REVISION	DATE (YY MM DD)	REV. BY
00	ISSUED FOR CONSTRUCTION	17 05 17	RS

REV. #	REVISION	DATE (YY MM DD)	REV. BY

SCALE:
AS NOTED
DATE (YY MM DD):
17 05 17

DRAWING NUMBER:
M2.0
REVISION NUMBER:
00



01 ENLARGED PLAN MECHANICAL ROOM -1
 M2.1 SCALE: 1/2"=1'-0"

DRAWING NOTES: (#)

1. INSTALL NEW BOILER B-1 IN THIS LOCATION COMPLETE WITH 4" CAST IN PLACE HOUSE KEEPING PAD.
2. EXISTING ELECTRIC HOT WATER TANK
3. EXISTING BACKUP GENERATOR
4. EXISTING FUEL DAY TANK
5. EXISTING FUEL PUMP SYSTEM
6. NEW GLYCOL MAKEUP
7. DISCONNECT EXISTING 1 1/4" SUPPLY FROM B-2 BY-PASS LINE AND CONNECT TO NEW BOILER

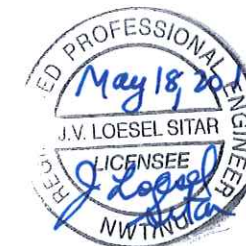
8. EXTEND 1 1/4" BYPASS LINE INTO BOILER ROOM AND RE-CONNECT AS PER SCHEMATIC.
9. EXISTING 1 1/4" BY-PASS LINES TO BE INSULATED.
10. NEW SUPPLY PUMPS
11. CONFIRM THAT COMBUSTION AIR INTAKE PROVIDES A MINIMUM OF 42 SQ. IN OPENING TO THE OUTDOORS (NOTE: DO NOT INCLUDE

12. AREA OF OPENING USED FOR GENERATOR) INSTALL COMPLETE NEW CHIMNEY TO SAME ELEVATION AS EXISTING. SUPPLY ALL GUY WIRES, STORM COLLARS ETC. FOR A COMPLETE INSTALLATION

NOTES:

1. ADD ANY TEST POINTS AND GAUGES NEEDED FOR A COMPLETE BALANCED SYSTEM

PERMIT TO PRACTICE
 CAN-TEC SERVICES LTD.
 Signature J. Loesel Sitar
 Date 05/18/17
 PERMIT NUMBER: P 647
 NWT/NU Association of Professional
 Engineers and Geoscientists



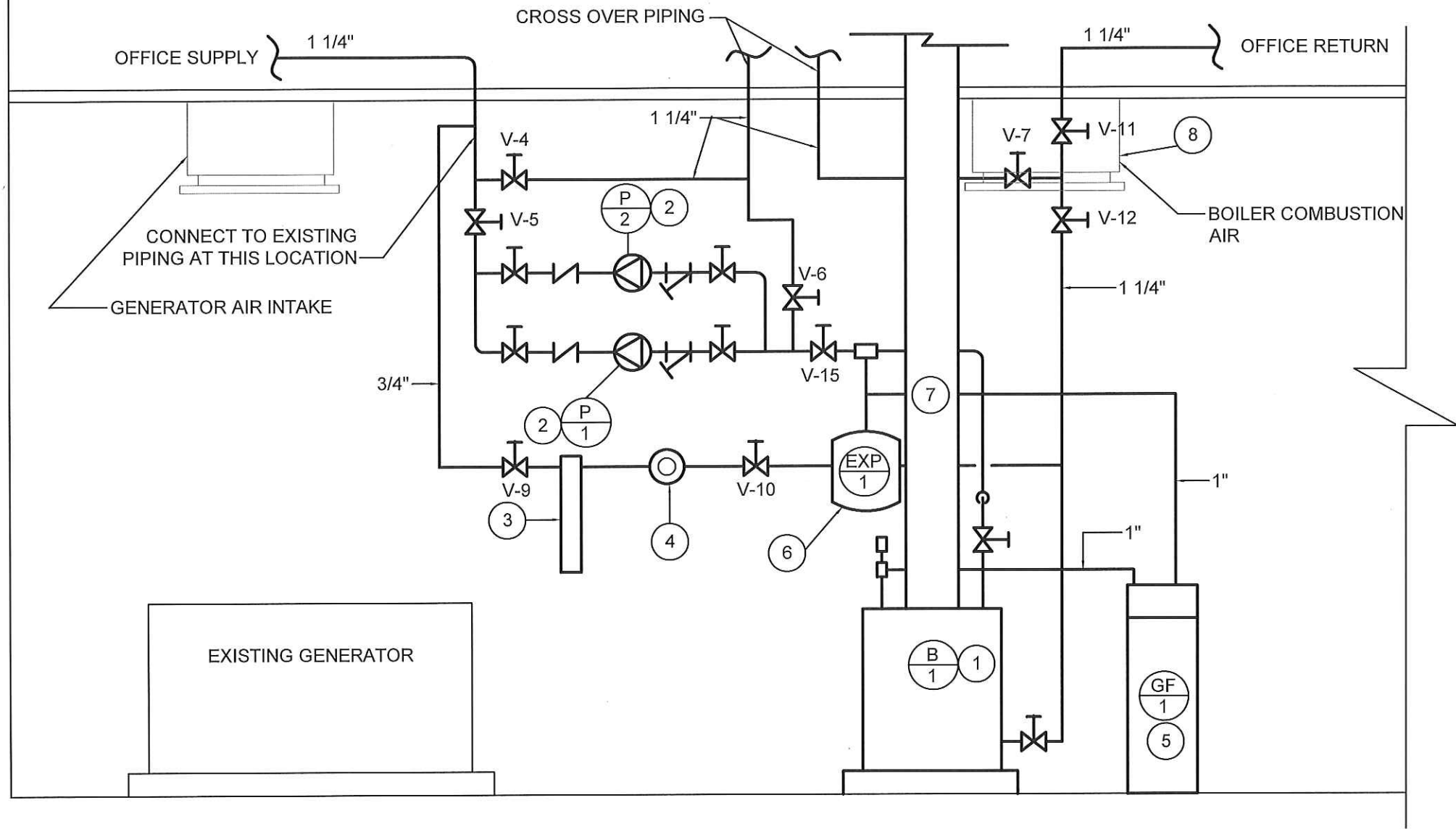
PROJECT TITLE:
 IQALUIT HANGAR - BOILER REPLACEMENT
 SHEET TITLE:
 ENLARGED PLAN - MECHANICAL ROOM 1
 PROJECT NUMBER:
 16-068-01-30

REV. #	REVISION	DATE (YY MM DD)	REV. BY
00	ISSUED FOR CONSTRUCTION	17 05 17	RS

REV. #	REVISION	DATE (YY MM DD)	REV. BY

SCALE:
 AS NOTED
 DATE (YY MM DD):
 17 05 17

DRAWING NUMBER:
M2.1
 REVISION NUMBER:
 00



01 SECTION 1 - MECHANICAL ROOM 1
 M2.2 SCALE: 1/2"=1'-0"

DRAWING NOTES: #

1. INSTALL NEW BOILER B-1 IN THIS LOCATION COMPLETE WITH 4" CAST IN PLACE HOUSE KEEPING PAD.
2. NEW SUPPLY PUMPS
3. SIDE STREAM FILTER
4. SIGHT GLASS
5. NEW GLYCOL FEED TANK
6. NEW EXPANSION TANK
7. NEW CHIMNEY AND BREECHING HEIGHT TO MATCH EXISTING.

8. CONFIRM COMBUSTION AIR FOR BOILER IS MINIMUM 42 SQ.IN.

PERMIT TO PRACTICE
 CAN-TEC SERVICES LTD.
 Signature *J. Loesel Sitar*
 Date *May 18, 2017*
 PERMIT NUMBER: P 647
 NWT/NU Association of Professional
 Engineers and Geoscientists



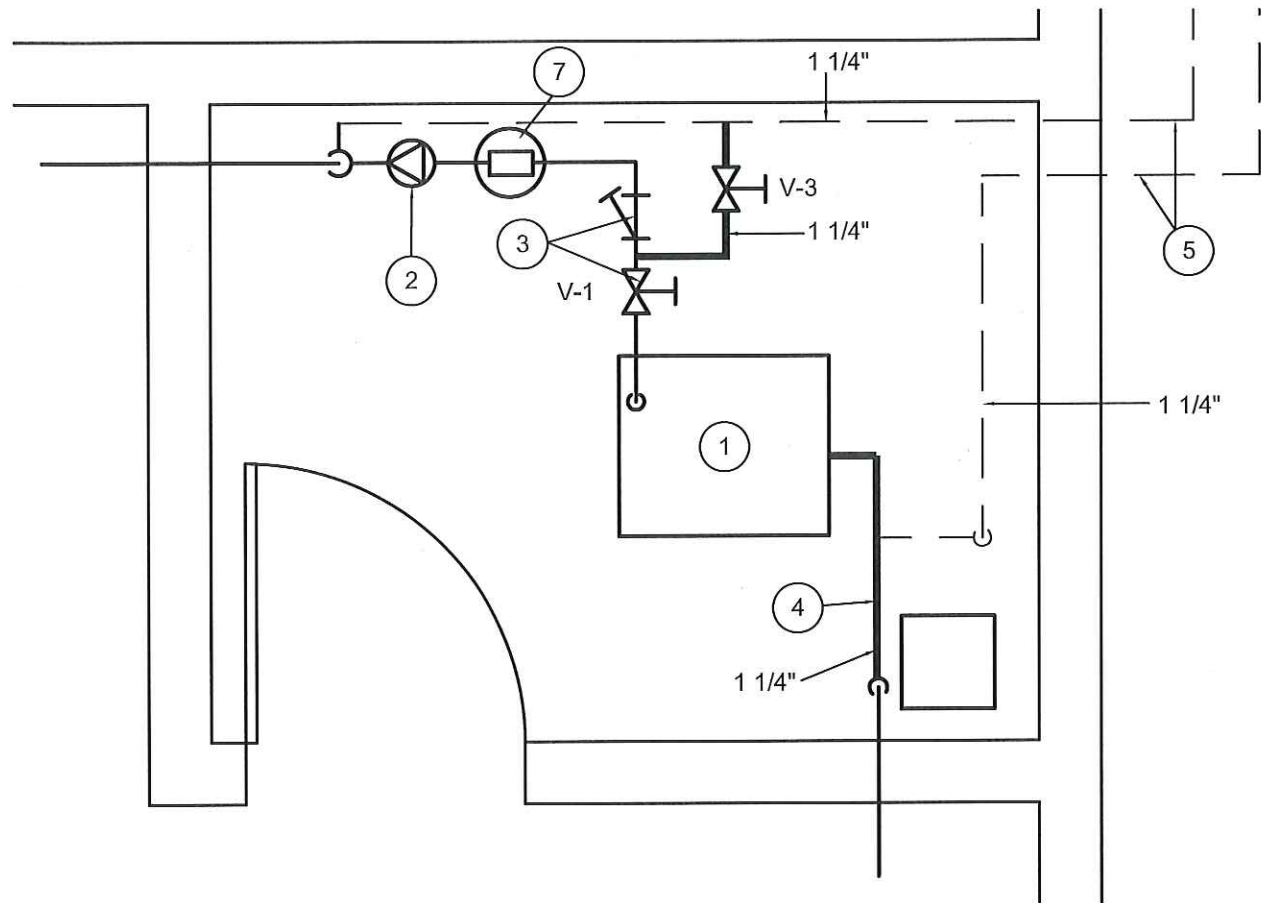
PROJECT TITLE:
 IQALUIT HANGAR - BOILER REPLACEMENT
 SHEET TITLE:
 MECHANICAL ROOM 1 - SECTION 1
 PROJECT NUMBER:
 16-068-01-30

REV. #	REVISION	DATE (YY MM DD)	REV. BY
00	ISSUED FOR CONSTRUCTION	17 05 17	RS

REV. #	REVISION	DATE (YY MM DD)	REV. BY

SCALE:
 AS NOTED
 DATE (YY MM DD):
 17 05 17

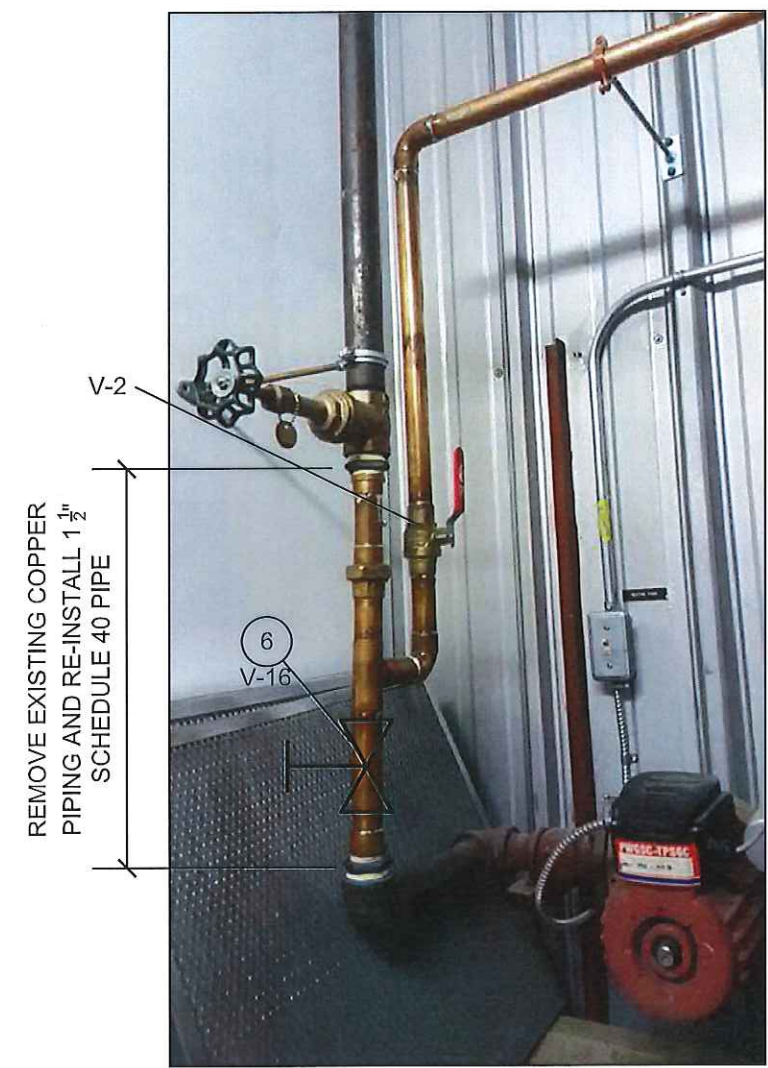
DRAWING NUMBER:
M2.2
 REVISION NUMBER:
 00



01 MECHANICAL ROOM 2 PLAN VIEW
M2.3 SCALE: 1/2"=1'-0"

DRAWING NOTES: #

1. EXISTING BOILER
2. EXISTING PUMP
3. EXISTING VALVE AND STRAINER
4. REMOVE SECTION OF 1 1/4" COPPER PIPING AND INSTALL NEW 1 1/2" SCHEDULE 40 PIPE TO BOILER. ADD EXTRA VALVES AS PER SCHEMATIC M3.0
5. INSULATE 1 1/4" COPPER CROSS OVER LINES AS PER SPECIFICATION. FIRE CAULK AT MECHANICAL ROOM WALLS.
6. INSTALL NEW VALVE V-14 BELOW TEE. SEE DETAIL 02 SHEET M2.3
7. EXISTING AIR SEPARATOR AND EXPANSION TANK
8. INSTALL NEW VALVE V-13 AND V-14 INTO NEW SCHEDULE 40 STEEL RETURN LINE. SEE DETAIL 3 SHEET M2.3



02 DETAIL 1 SUPPLY LINES
M2.3 SCALE: NTS



REPLACE LINE WITH SCHEDULE 40 PIPE



03 DETAIL 2 RETURN LINES
M2.3 SCALE: NTS

PERMIT TO PRACTICE
CAN-TEC SERVICES LTD.
Signature: *J. V. Loesel Sitar*
Date: *05/18/17*
PERMIT NUMBER: P 647
NWT/NU Association of Professional Engineers and Geoscientists



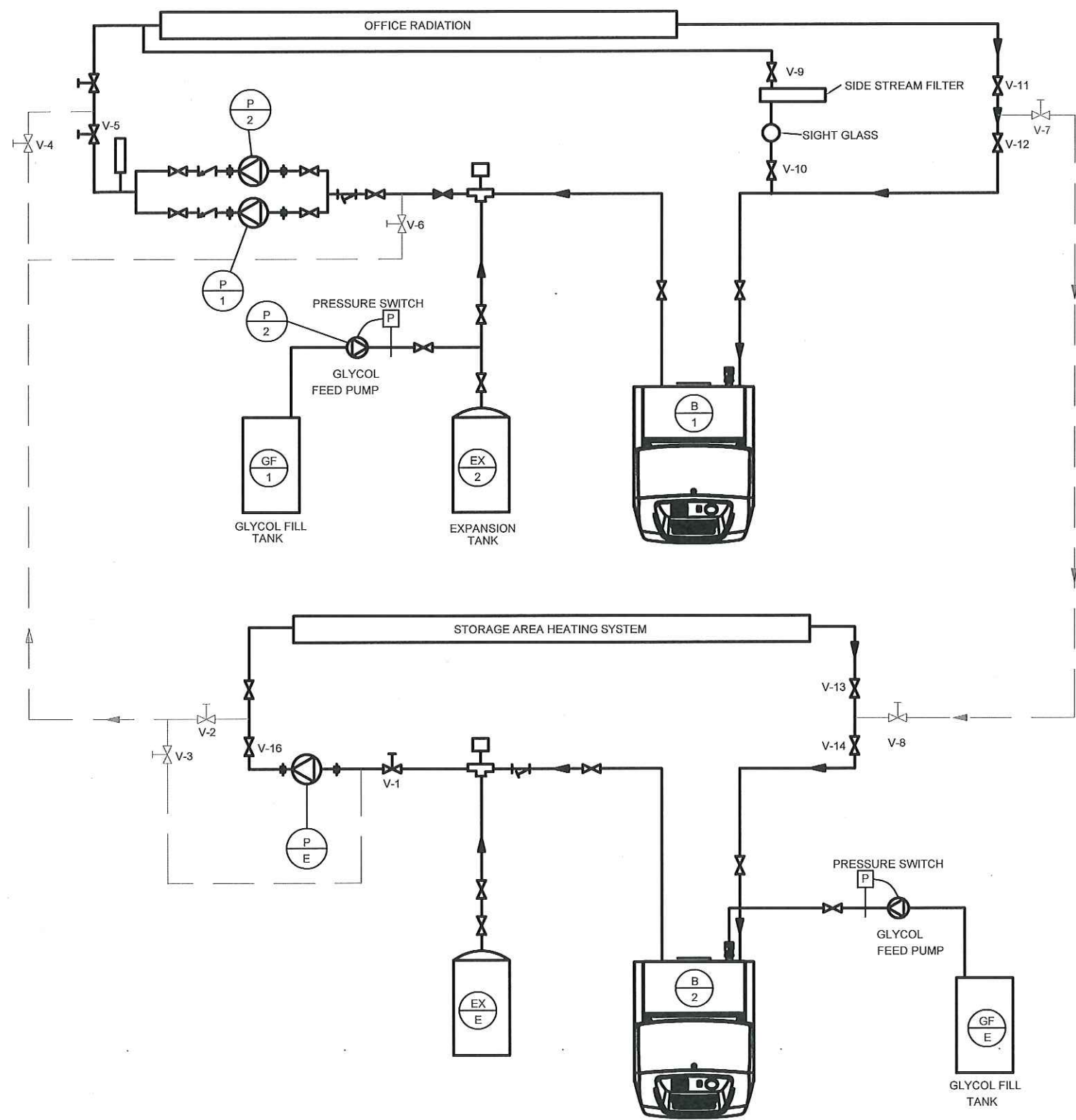
PROJECT TITLE: IQALUIT HANGAR - BOILER REPLACEMENT
SHEET TITLE: MECHANICAL ROOM 2 - PLAN AND DETAILS
PROJECT NUMBER: 16-068-01-30

REV. #	REVISION	DATE (YY MM DD)	REV. BY
00	ISSUED FOR CONSTRUCTION	17 05 17	RS

REV. #	REVISION	DATE (YY MM DD)	REV. BY

SCALE: AS NOTED
DATE (YY MM DD): 17 05 17

DRAWING NUMBER: M2.3
REVISION NUMBER: 00



LEGEND

OPERATING LINES ———

NON-OPERATING LINES - - - -

ONE BOILER OPERATION HANGAR BOILER ONLY

1. CLOSED VALVES:
 - 1.1. V-2
 - 1.2. V-3
 - 1.3. V-4
 - 1.4. V-6
 - 1.5. V-7
 - 1.6. V-8

2. NORMALLY OPEN VALVES
 - 2.1. V-11
 - 2.2. V-12
 - 2.3. V-13
 - 2.4. V-1
 - 2.5. V-16
 - 2.6. V-9
 - 2.7. V-10
 - 2.8. V-5

PERMIT TO PRACTICE
CAN-TEC SERVICES LTD.
 Signature *J. Loesel Sitar*
 Date *05/18/17*
PERMIT NUMBER: P 647
 NWT/NU Association of Professional
 Engineers and Geoscientists



PROJECT TITLE:
IQALUIT HANGAR - BOILER REPLACEMENT

SHEET TITLE:
SCHEMATIC 1 - NORMAL TWO BOILER OPERATION

PROJECT NUMBER:
16-068-01-30

REV. #	REVISION	DATE (YY MM DD)	REV. BY
00	ISSUED FOR CONSTRUCTION	17 05 17	RS

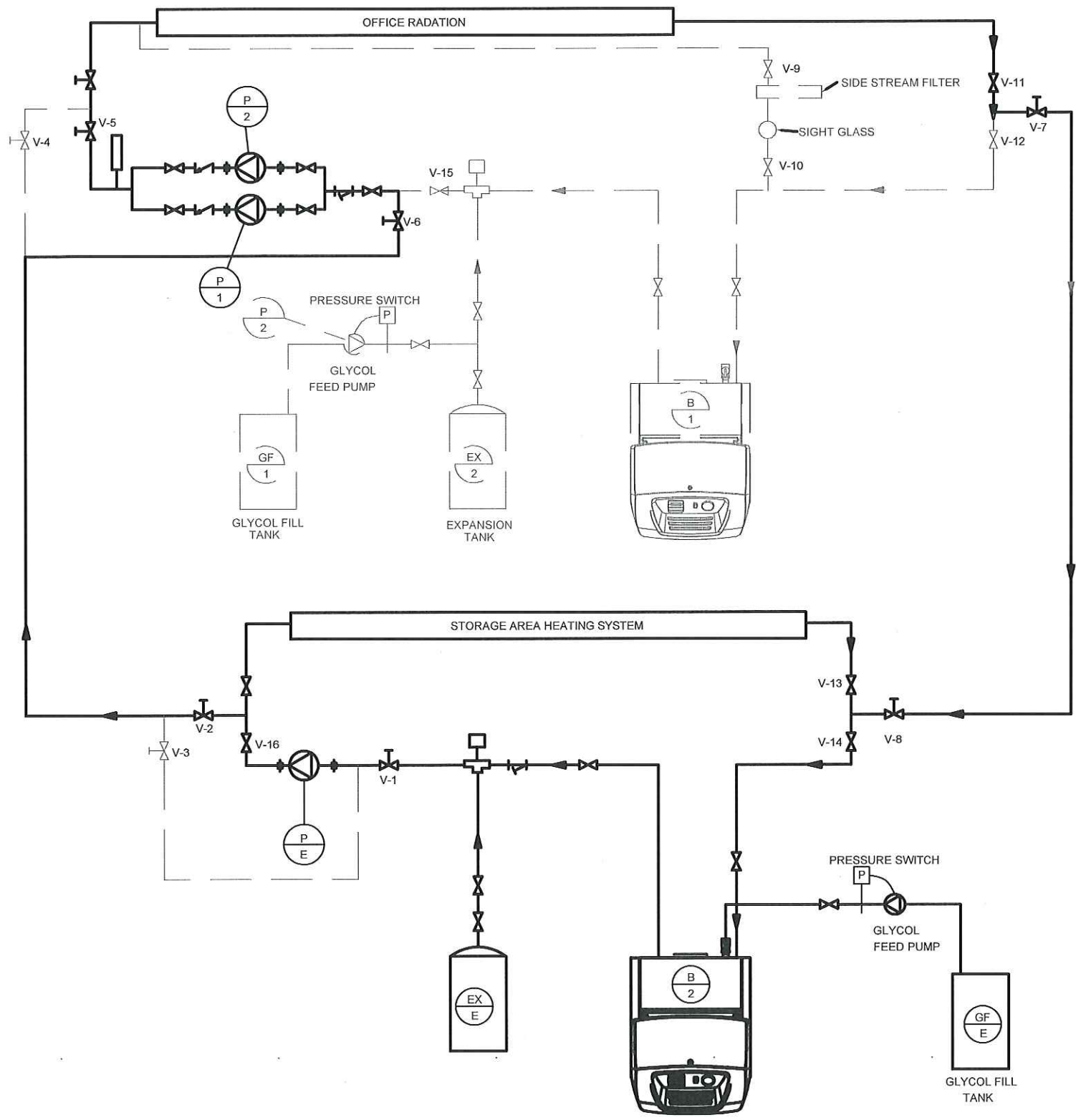
REV. #	REVISION	DATE (YY MM DD)	REV. BY

SCALE:
AS NOTED

DATE (YY MM DD):
17 05 17

DRAWING NUMBER:
M3.0

REVISION NUMBER:
00



LEGEND

OPERATING LINES ———

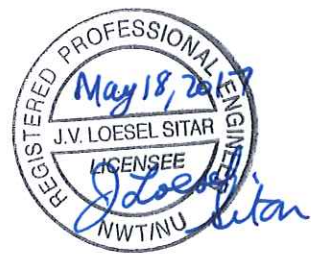
NON-OPERATING LINES - - - -

ONE BOILER OPERATION HANGAR BOILER ONLY

1. CLOSED VALVES:
 - 1.1. V-3
 - 1.2. V-4
 - 1.3. V-9
 - 1.4. V-10
 - 1.5. V-12
 - 1.6. V-15

2. NORMALLY OPEN VALVES
 - 2.1. V-2
 - 2.2. V-6
 - 2.3. V-7
 - 2.4. V-8
 - 2.5. V-5

PERMIT TO PRACTICE
CAN-TEC SERVICES LTD.
 Signature J. Loesel Sitar
 Date 05/18/17
PERMIT NUMBER: P 647
 NWT/NU Association of Professional
 Engineers and Geoscientists



PROJECT TITLE:
IQALUIT HANGAR - BOILER REPLACEMENT

SHEET TITLE:
SCHEMATIC - ONE BOILER OPERATION - HANGAR BOILER ONLY

PROJECT NUMBER:
16-068-01-30

00	ISSUED FOR CONSTRUCTION	17 05 17	RS
REV. #	REVISION	DATE (YY MM DD)	REV. BY

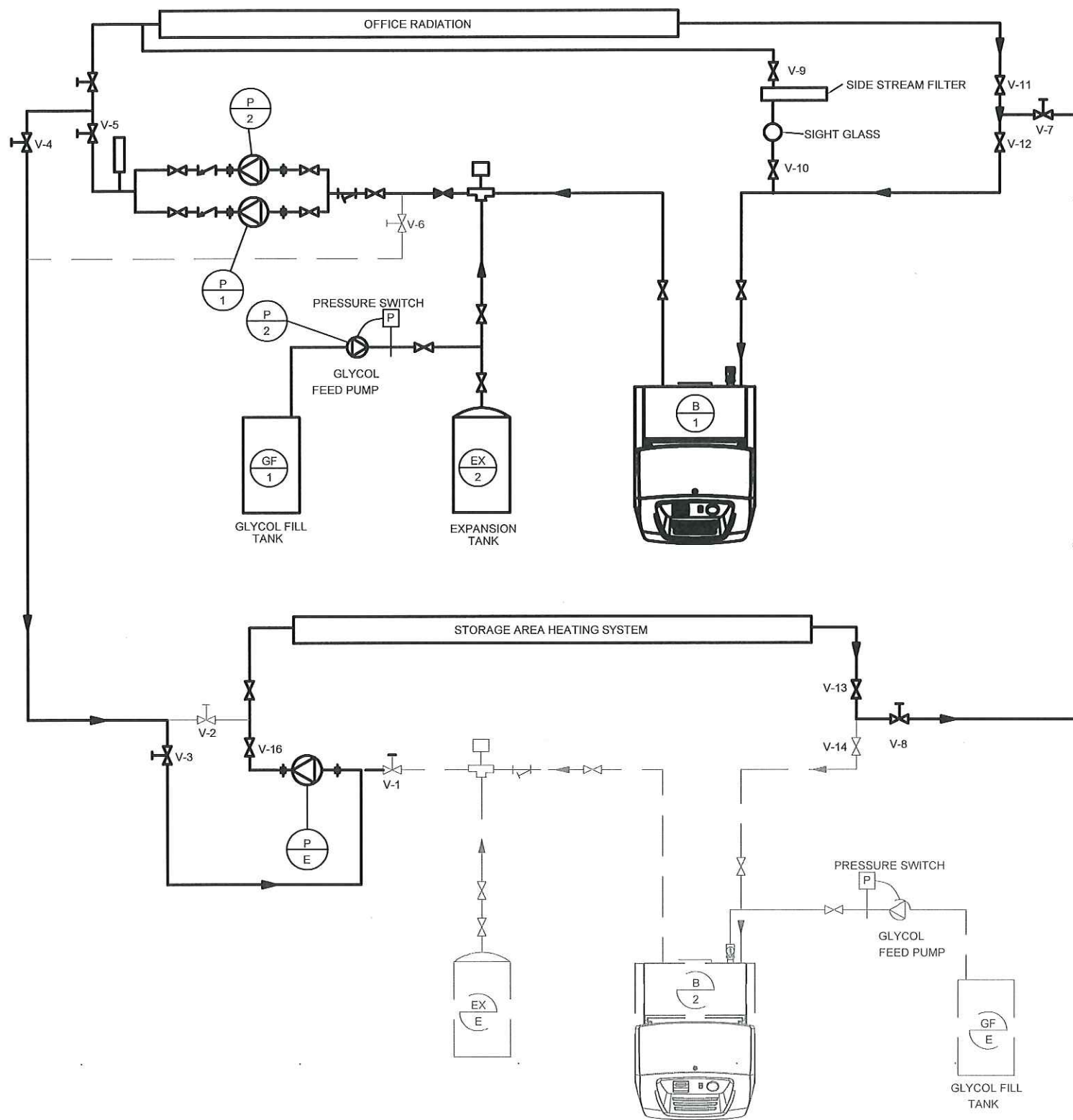
REV. #	REVISION	DATE (YY MM DD)	REV. BY
--------	----------	-----------------	---------

SCALE:
AS NOTED

DATE (YY MM DD):
17 05 17

DRAWING NUMBER:
M3.1

REVISION NUMBER:
00



LEGEND

OPERATING LINES ———

NON-OPERATING LINES - - - -

ONE BOILER OPERATION OFFICE BOILER ONLY

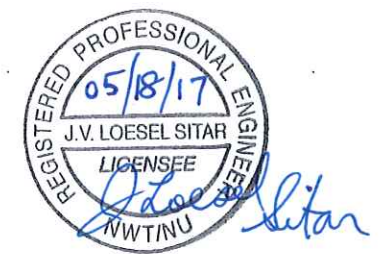
1. CLOSE VALVES:
 - 1.1. V-1
 - 1.2. V-2
 - 1.3. V-6
 - 1.4. V-14

2. NORMALLY OPEN VALVES
 - 2.1. V-2
 - 2.2. V-3
 - 2.3. V-7
 - 2.4. V-8
 - 2.5. V-5

PERMIT TO PRACTICE
CAN-TEC SERVICES LTD.

Signature *J. Loesel Sitar*
 Date *05/18/17*

PERMIT NUMBER: P 647
 NWT/NU Association of Professional
 Engineers and Geoscientists



PROJECT TITLE:
IQALUIT HANGAR - BOILER REPLACEMENT

SHEET TITLE:
SCHEMATIC - ONE BOILER OPERATION - OFFICE BOILER ONLY

PROJECT NUMBER:
16-068-01-30

00	ISSUED FOR CONSTRUCTION	17 05 17	RS
REV. #	REVISION	DATE (YY MM DD)	REV. BY

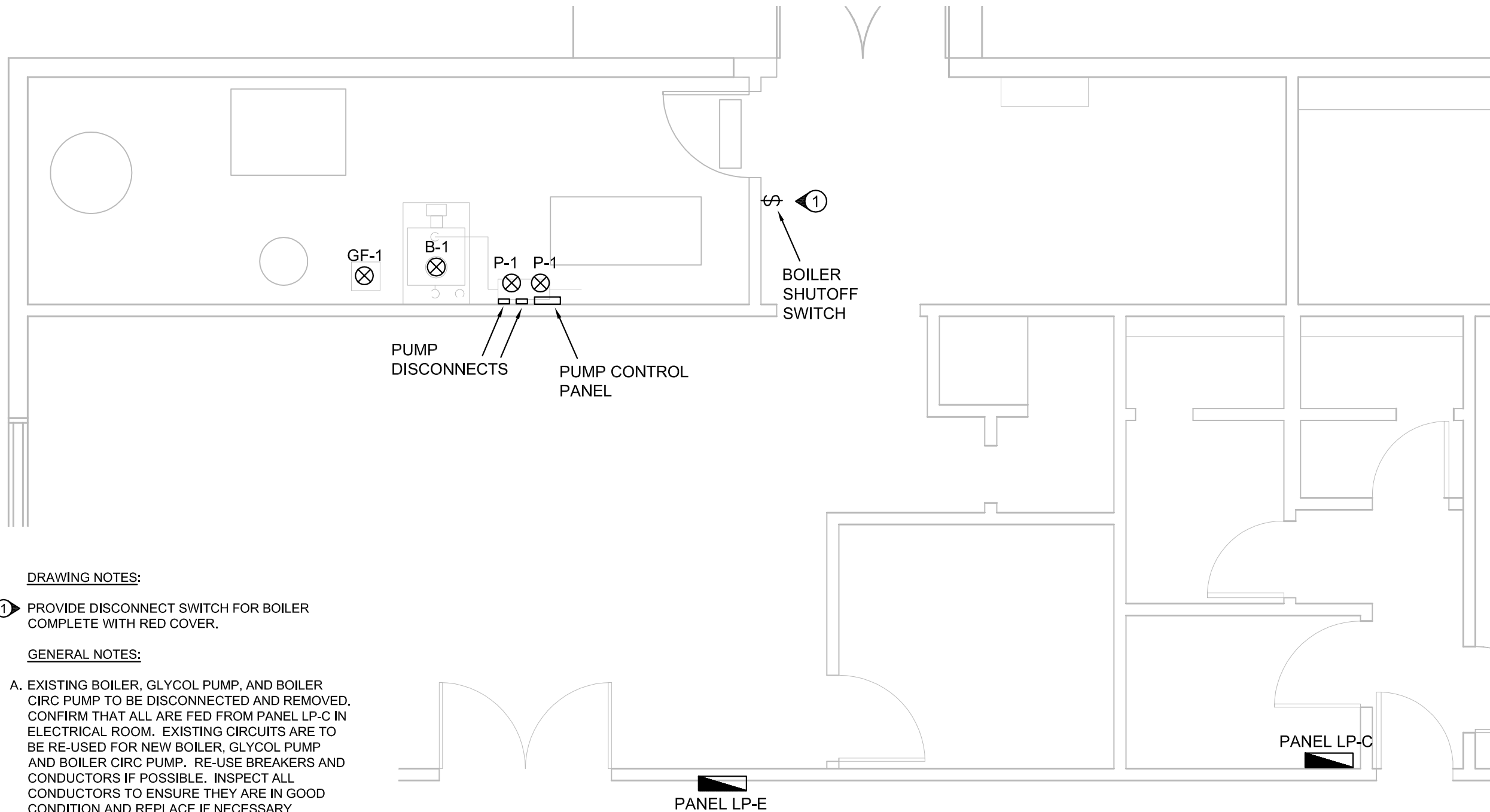
REV. #	REVISION	DATE (YY MM DD)	REV. BY
--------	----------	-----------------	---------

SCALE:
AS NOTED

DATE (YY MM DD):
17 05 17

DRAWING NUMBER:
M3.2

REVISION NUMBER:
00



DRAWING NOTES:

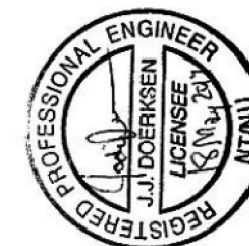
- ① PROVIDE DISCONNECT SWITCH FOR BOILER COMPLETE WITH RED COVER.

GENERAL NOTES:

- A. EXISTING BOILER, GLYCOL PUMP, AND BOILER CIRC PUMP TO BE DISCONNECTED AND REMOVED. CONFIRM THAT ALL ARE FED FROM PANEL LP-C IN ELECTRICAL ROOM. EXISTING CIRCUITS ARE TO BE RE-USED FOR NEW BOILER, GLYCOL PUMP AND BOILER CIRC PUMP. RE-USE BREAKERS AND CONDUCTORS IF POSSIBLE. INSPECT ALL CONDUCTORS TO ENSURE THEY ARE IN GOOD CONDITION AND REPLACE IF NECESSARY.
- B. PROVIDE A NEW TYPEWRITTEN PANEL DIRECTORY FOR PANEL LP-C.
- C. PROVIDE POWER TO BOILER PUMP CONTROL PANEL AND WIRE CONTROLS AS NECESSARY. REFER TO MECHANICAL DRAWING FOR CONTROL SCHEMATIC.

① **ELECTRICAL PLAN**
E-1.0 SCALE: 1/4" = 1' - 0"

PERMIT TO PRACTICE
JOREY ELECTRIC LTD.
Signature: *[Signature]*
Date: 18 May 2017
PERMIT NUMBER: P 974
NTNU Association of Professional Engineers and Geoscientists



Engineering Consultants

6-1375 Niakwa Road E
Whitnpeg MB R2J 3T3
p. 204-255-4842
e. info@joreyelectric.com

PROJECT TITLE:
IQALUIT HANGAR - BOILER REPLACEMENT

SHEET TITLE:
ELECTRICAL PLAN

PROJECT NUMBER:
16-142

00	ISSUED FOR CONSTRUCTION	17 05 18	JJD
REV. #	REVISION	DATE (YY MM DD)	REV. BY

REV. #	REVISION	DATE (YY MM DD)	REV. BY
--------	----------	-----------------	---------

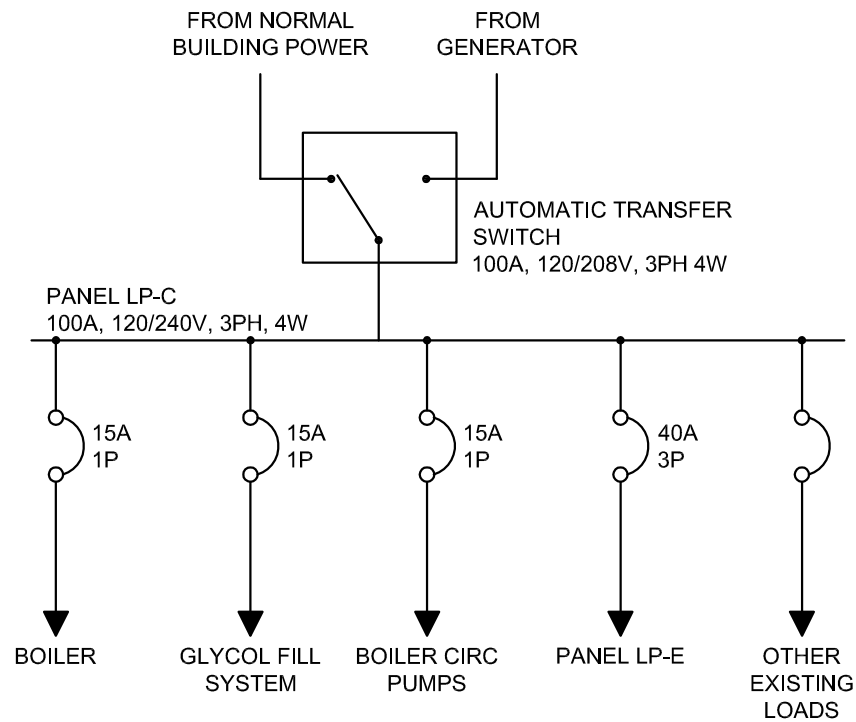
SCALE:
AS NOTED
DATE (YY MM DD):
17 05 18

DRAWING NUMBER:

E1.0

REVISION NUMBER:
00

EXISTING PARTIAL SINGLE LINE DIAGRAM



SYMBOL SCHEDULE	
\$	SWITCH
⊗	ELECTRICAL CONNECTION

ELECTRICAL SPECIFICATIONS:

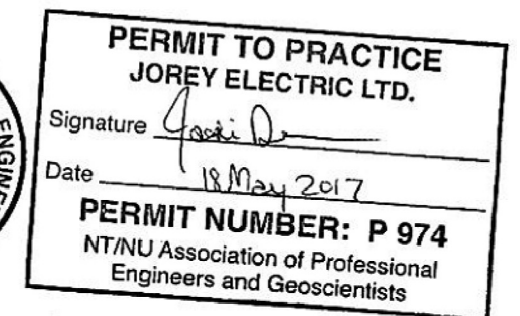
1. GENERAL
SUPPLY ALL LABOUR, EQUIPMENT & MATERIALS NECESSARY AND REASONABLY IMPLIED FOR THE COMPLETE INSTALLATION OF THE ELECTRICAL WORK AS SHOWN ON THE PLANS AND/OR SPECIFIED.
DETERMINE WHETHER THE ELECTRICAL CONTRACTOR'S SCOPE OF WORK SHALL INCLUDE HVAC CONTROLS.
2. CODES, PERMITS, AND FEES
ELECTRICAL INSTALLATION SHALL BE IN ACCORDANCE WITH THE CURRENT EDITION OF THE CANADIAN ELECTRICAL CODE, PROVINCIAL, MUNICIPAL, AND OTHER CODES, RULES AND REGULATIONS. OBTAIN AND PAY FOR ALL PERMITS AND LICENSES REQUIRED TO EXECUTE THE WORK.
3. VERIFICATION
THE ELECTRICAL CONTRACTOR SHALL CAREFULLY EXAMINE ALL DRAWINGS AND SPECIFICATIONS RELATING TO THE WORK TO BE CERTAIN THAT THE WORK UNDER THIS CONTRACT CAN BE SATISFACTORILY CARRIED OUT. PRIOR TO THE SUBMISSION OF TENDER, THE CONTRACTOR SHALL REPORT AT ONCE TO THE ENGINEER, ANY DEFECT, DISCREPANCY, OMISSION, OR INTERFERENCE AFFECTING THE WORK OF THIS SECTION OR THE GUARANTEE OF THE SAME. REFER TO MECHANICAL DRAWINGS FOR CONTROL WIRING AND EQUIPMENT LOCATIONS.
4. MATERIALS
ALL MATERIALS SUPPLIED SHALL BE NEW (OR AS NOTED) AND OF THE QUALITY INDICATED IN THE SPECIFICATIONS AND SHALL CONFORM TO THE STANDARDS OF THE C.S.A. IN THE EVENT THAT A MATERIAL SPECIFIED DOES NOT BEAR C.S.A. OR EQUIVALENT APPROVAL, THE CONTRACTOR IS TO OBTAIN THE APPROVAL OF THE LOCAL INSPECTION AUTHORITY AND MAKE ANY MODIFICATIONS REQUIRED AT NO ADDITIONAL EXPENSE TO THE OWNER.
5. SUBSTITUTIONS
EQUIPMENT AND MATERIAL SHALL BE INSTALLED AS SPECIFIED. REQUESTS FOR EQUAL STATUS SHALL BE SUBMITTED TO THE ENGINEER 7 DAYS PRIOR TO CLOSE OF TENDER.
6. WORKMANSHIP
FOLLOW EXISTING WIRING METHODS AND STANDARDS. ALL WORK TO BE DONE IN A NEAT AND PROFESSIONAL MANNER. CABLE AND CONDUIT RUNS TO BE RUN PARALLEL TO BUILDING LINES. WALL DEVICES AND EQUIPMENT TO BE INSTALLED SQUARE AND PLUMB. CEILING DEVICES AND LIGHTS TO BE CENTERED OF SPACE AND IN LINE UNLESS SHOWN OTHERWISE ON DRAWINGS. EXPOSED WIRING SHALL BE RUN IN CONDUIT, WITH AC90 DROPS FOR FLEXIBLE CONNECTIONS.
7. DEVICES AND WIRING
ALL CONDUCTORS TO BE COPPER UNLESS SPECIFIED OTHERWISE AND OF A MINIMUM SIZE OF #12 AWG. ALL CONDUCTORS TO BE SIZED TO KEEP VOLTAGE DROP WITHIN ALLOWABLE LIMITS. ALL WIRE RUN IN RETURN AIR SPACES SHALL BE FT6 RATED.

CIRCUIT INFORMATION AND DIRECTORIES ON THESE DRAWINGS SHOW A SUGGESTED LAYOUT OF CIRCUITS, THOUGH THEIR PRIMARY PURPOSE IS FOR DEPICTING CIRCUITS REQUIRED ON EACH PANEL, AND CIRCUIT LOADING. ADAPT CIRCUITRY IN THE FIELD TO ENSURE AN EFFICIENT INSTALLATION, GIVING ATTENTION TO PROPER BALANCING OF PHASES. CIRCUITS SHARING A NEUTRAL SHALL BE FED FROM ADJACENT BREAKERS. PROVIDE TYPE-WRITTEN DIRECTORIES FOR PANELS. DISTRIBUTION EQUIPMENT TO BE PROVIDED WITH RAIN HOODS IN A SPRINKLED AREA.
8. WARRANTY
THE ELECTRICAL CONTRACTOR SHALL WARRANTY THE SATISFACTORY OPERATION OF ALL WORK AND MATERIALS INCLUDED AND INSTALLED UNDER THIS SECTION OF THE SPECIFICATION FOR A PERIOD OF ONE YEAR AFTER THE FINAL ACCEPTANCE OF THE COMPLETE BUILDING.
9. AS-BUILT DRAWINGS
SUBMIT ONE SET OF CORRECTED 'AS-BUILT' DRAWINGS OR CORRECTED DRAWINGS IN DWG FORMAT TO THE OWNER. CONFIRM REQUIREMENTS PRIOR TO COMPLETION.
10. CERTIFICATE OF APPROVAL
UPON COMPLETION AND BEFORE FINAL PAYMENT IS MADE, PRESENT TO THE ENGINEER A CERTIFICATE OF APPROVAL OR VERIFICATION FOR ALL ELECTRICAL WORK FROM THE INSPECTION DEPARTMENT HAVING JURISDICTION.

EQUIPMENT SCHEDULE

NUMBER	DESCRIPTION	KW/HP/A	VOLTS/PH	BREAKER	CONDUCTOR	LOCATION	NOTES
B-1	GAS FIRED BOILER	FRACTIONAL	120V/1PH	15A/1P	2 #12	BOILER ROOM	PROVIDE NEW SHUT-OFF SWITCH IF NONE EXISTING
GF-1	GLYCOL FILL SYSTEM	FRACTIONAL	120V/1PH	15A/1P	2 #12	BOILER ROOM	
P-1	BOILER CIRC PUMPS	1.3A	120V/1PH	15A/1P	2 #12	BOILER ROOM	PROVIDE ONE CIRCUIT TO CONTROL PANEL FOR BOTH PUMPS

NOTES:
MATCH BREAKER AND WIRE SIZES TO ACTUAL NAMEPLATE RATINGS OF EQUIPMENT
PROVIDE LOCAL DISCONNECTS TO CODE
REFER TO MECHANICAL DRAWINGS FOR CONTROLS



Engineering Consultants

6-1375 Niakwa Road E
Whittpg MB R2J 3T3
p. 204-255-4842
e. info@joreyelectric.com

PROJECT TITLE:
IQALUIT HANGAR - BOILER REPLACEMENT

SHEET TITLE:
SINGLE LINE DIAGRAM, SCHEDULES & SPECIFICATIONS

PROJECT NUMBER:
16-142

00	ISSUED FOR CONSTRUCTION	17 05 18	JJD
REV. #	REVISION	DATE (YY MM DD)	REV. BY

REV. #	REVISION	DATE (YY MM DD)	REV. BY
--------	----------	-----------------	---------

SCALE:
AS NOTED
DATE (YY MM DD):
17 05 18

DRAWING NUMBER:

E2.0

REVISION NUMBER:
00