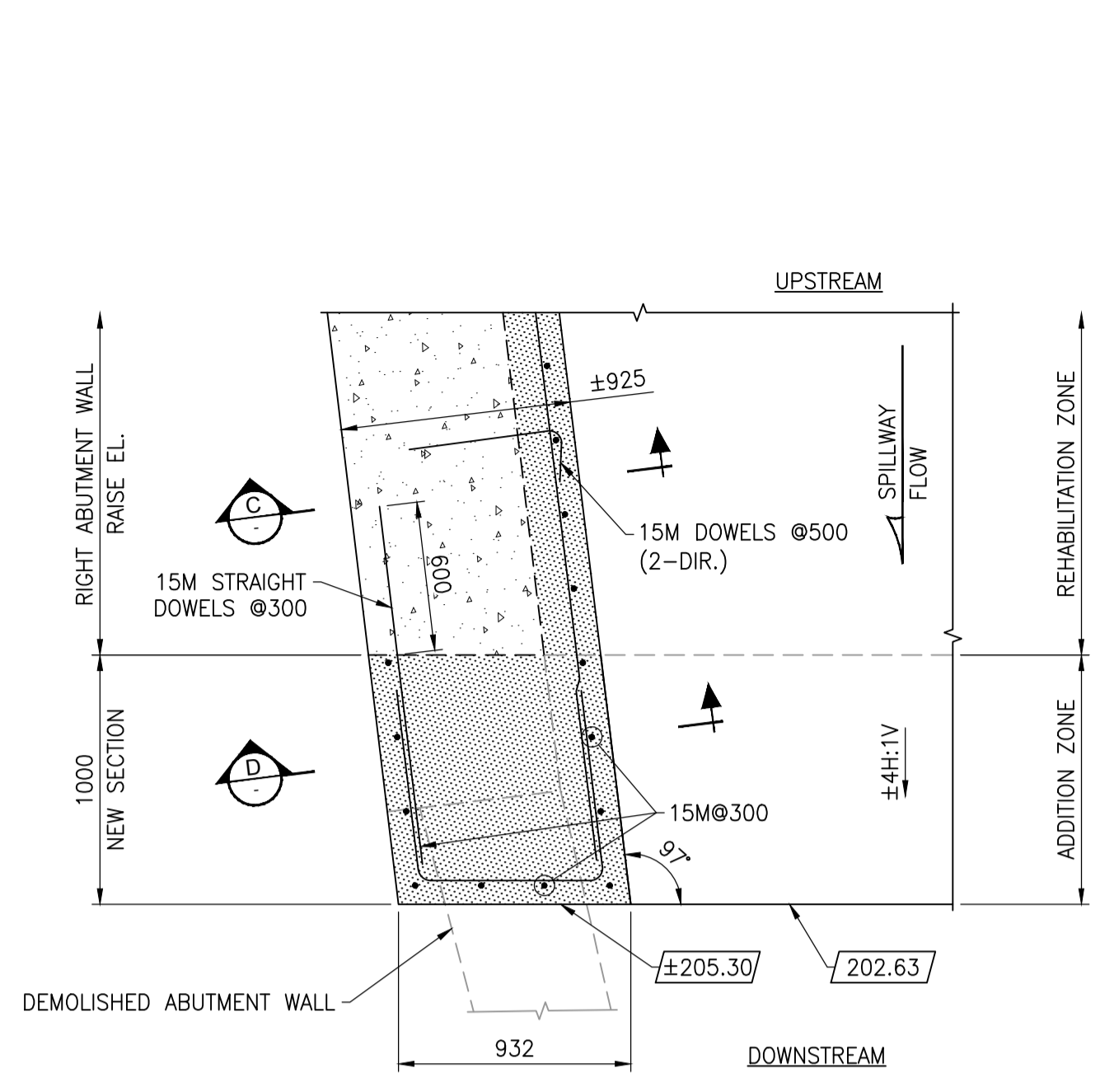
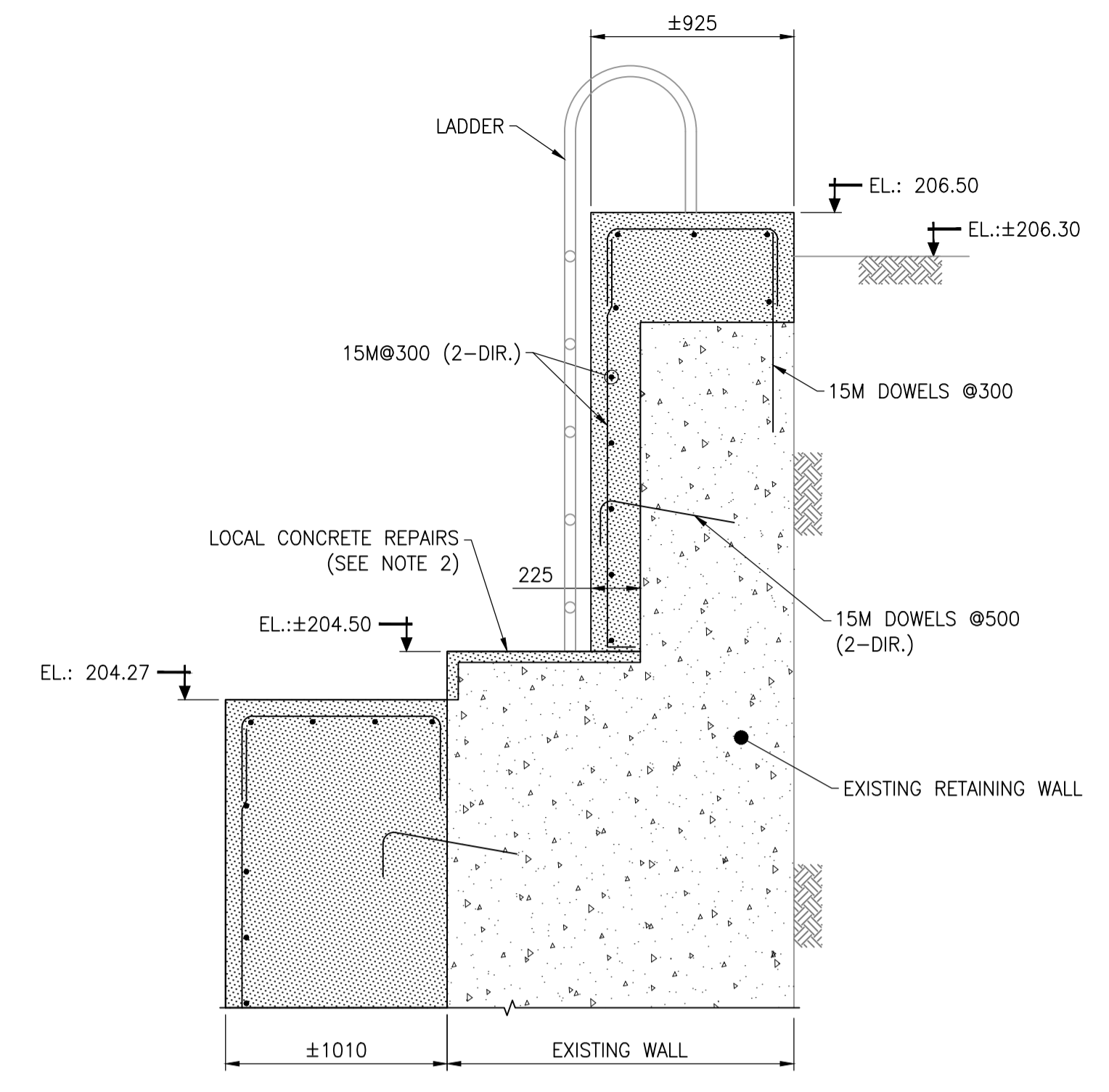


THIS SCALE TO BE USED TO OBTAIN A SCALE FACTOR FOR MEASURES IF THIS DRAWING IS NOT PRINTED ON A SIZE PAPER. MEASURES OBTAINED FROM SCALING ARE APPROXIMATE AND TO BE USED FOR INFORMATION ONLY.

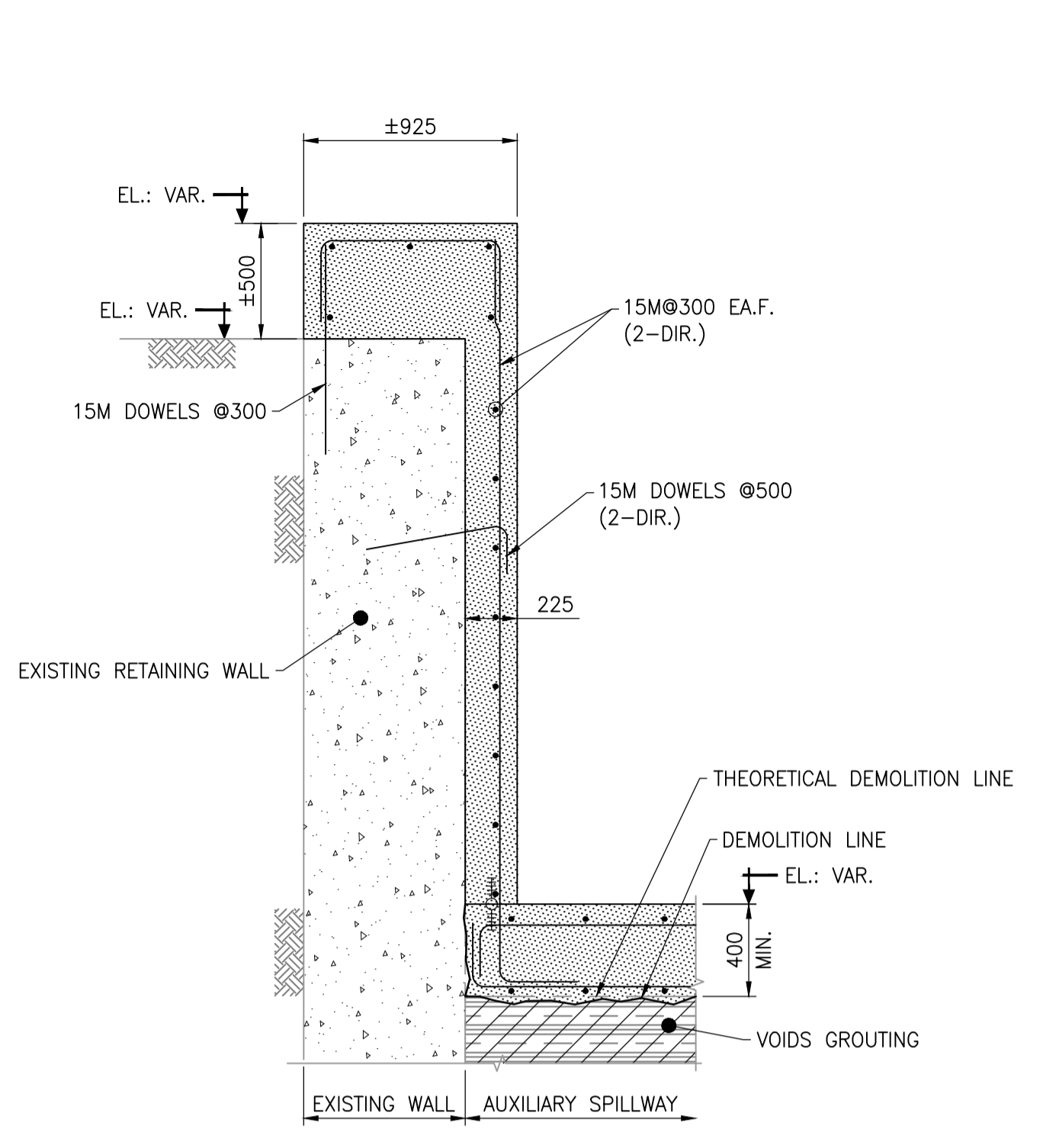
Fichier: Z:\Cima-200\Structures\ENR\ENR\000492F - Nicolson Dam Rehabilitation\Compensation\00_Plan.dwg / Layout: S14 / Last save: 2017/06/02, 13:51
 Fichier: Z:\Cima-200\Structures\ENR\ENR\000492F - Nicolson Dam Rehabilitation\Compensation\00_Plan.dwg / Layout: S14 / Last save: 2017/06/02, 13:51



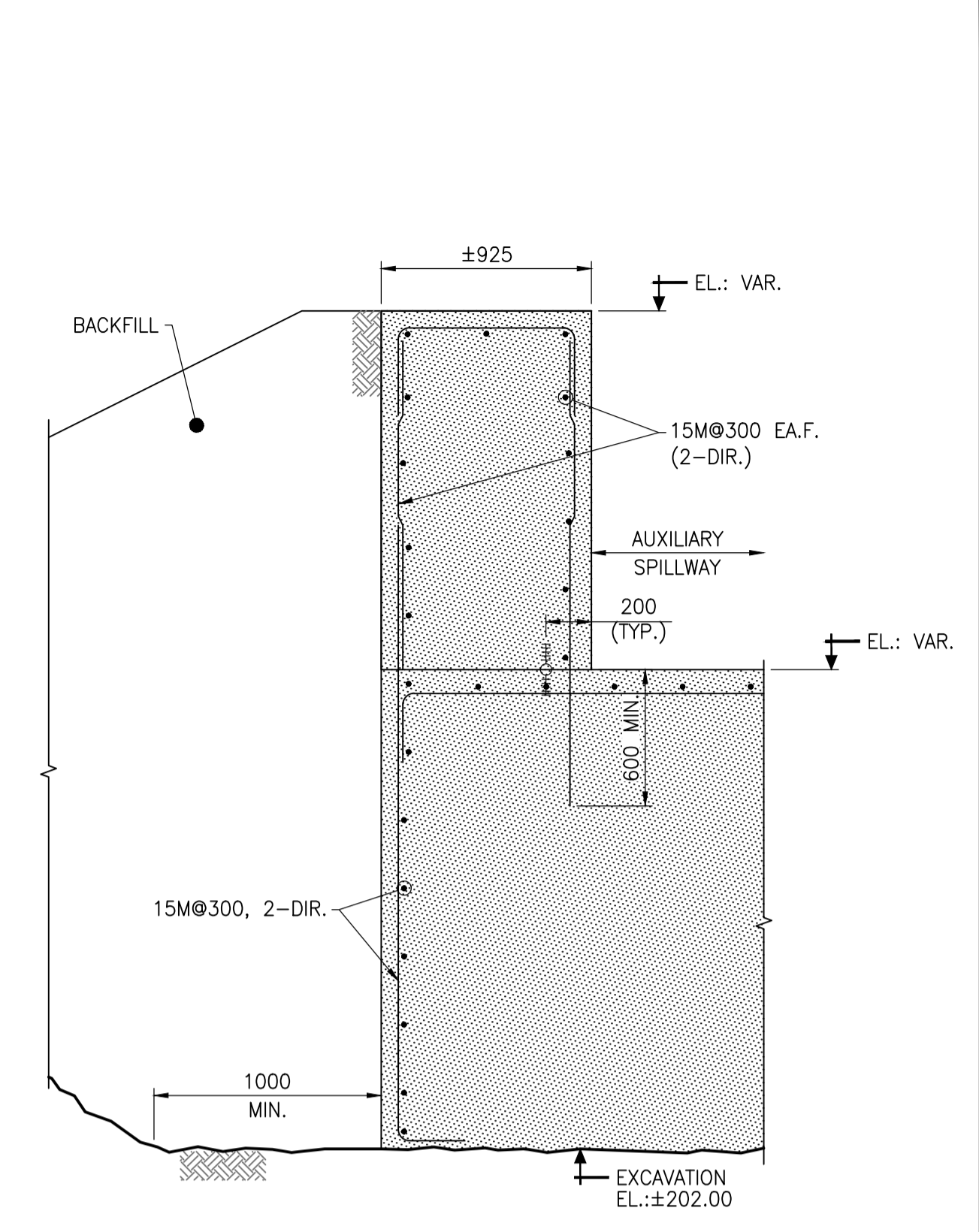
Plan
Right Downstream Abutment Wall
 1:25 **1**
 S13



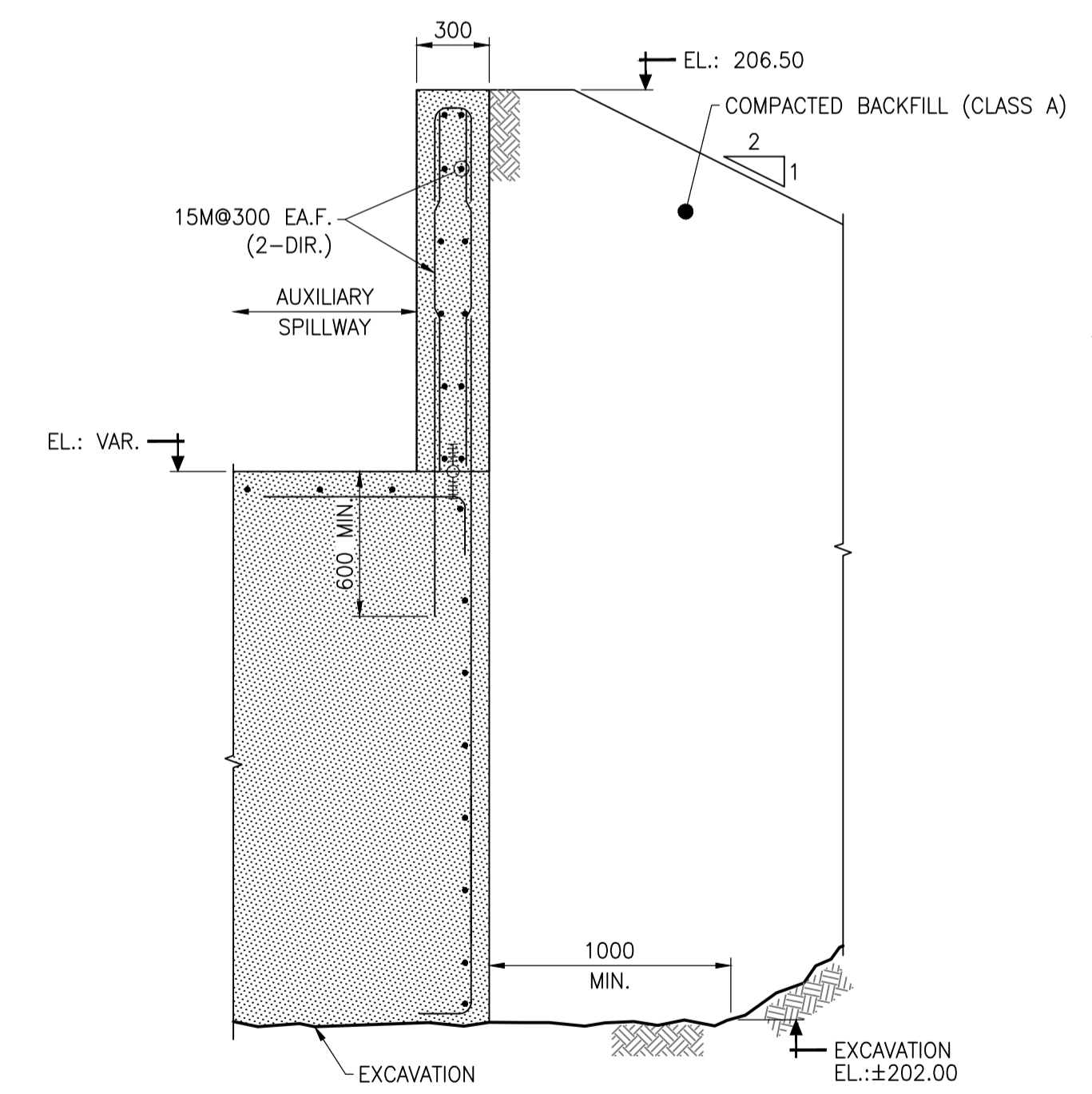
Section
 1:25 **B**
 S11



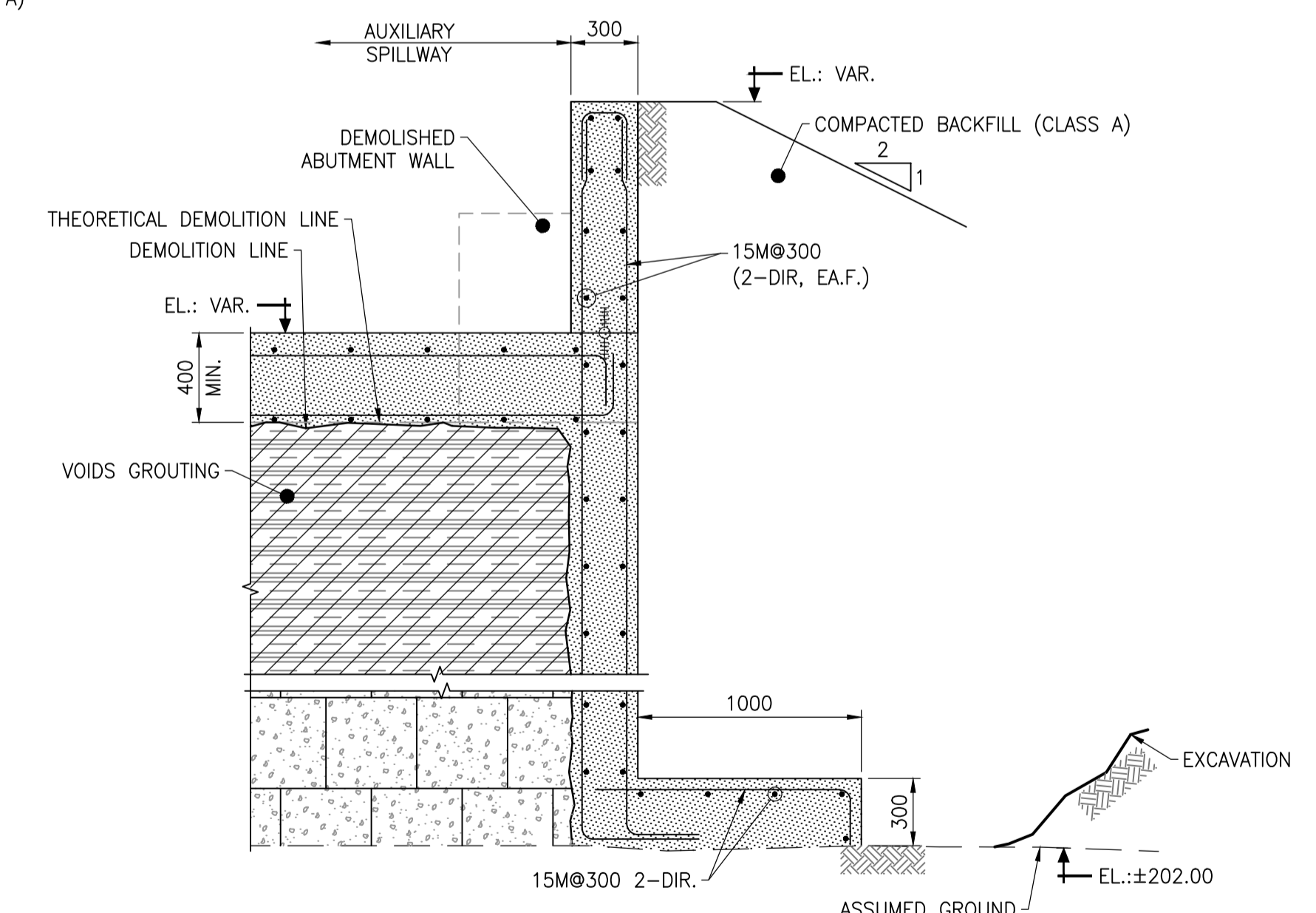
Section
 1:25 **C**
 S13



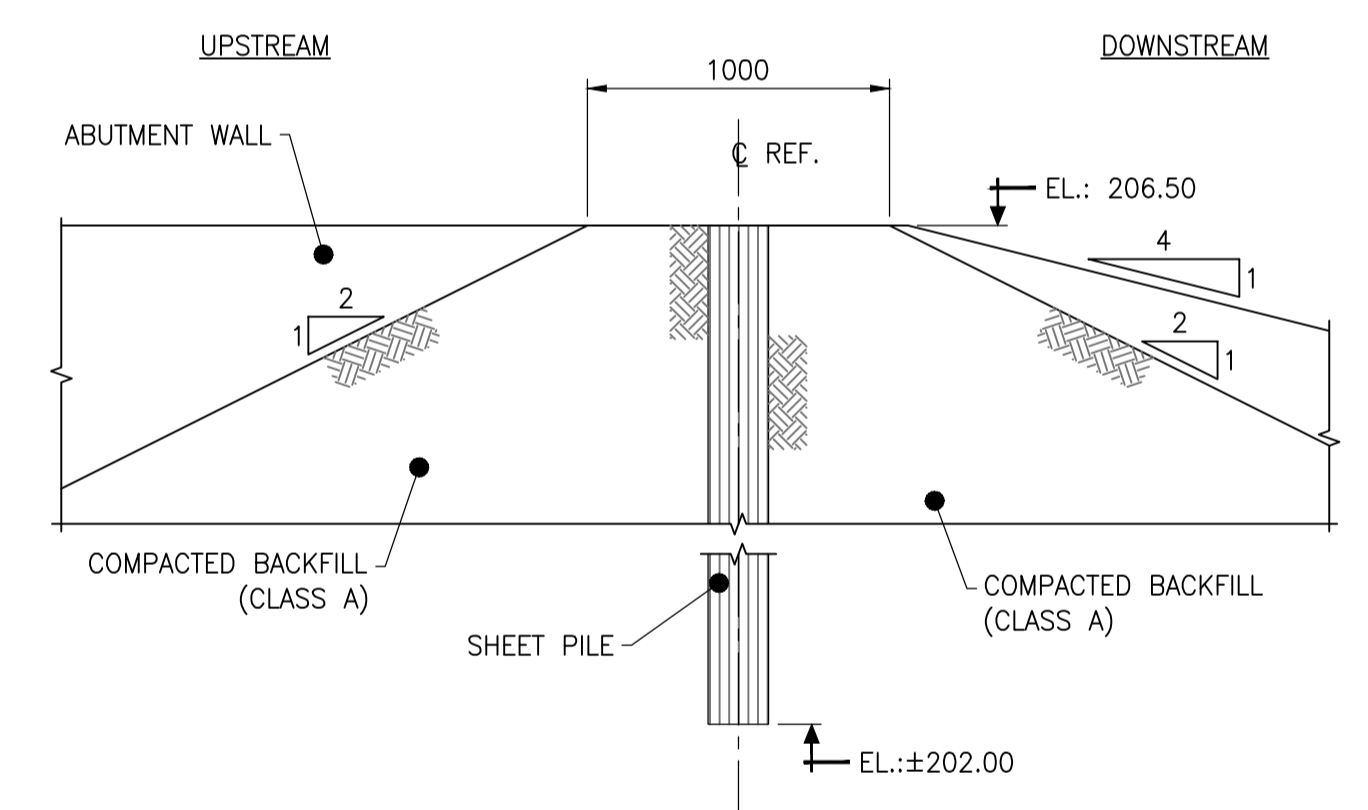
Section
 1:25 **D**
 Right Downstream Abutment Wall



Section - Left Abutment Wall
 1:25 **E**
 S13

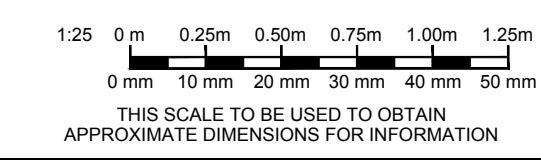


Section
 1:25 **F**
 Left Downstream Abutment Wall



Section - Cut-Off Sheet Pile
 1:25 **G**
 S13

- Notes**
- SEE DWG G02 FOR DRAWING LIST, GENERAL NOTES, ABBREVIATIONS AND LEGEND.
 - LOCAL CONCRETE REPAIRS TO BE COORDINATED ON SITE WITH THE ENGINEER.



No	Revision	Date	ing / cad
A	Issued for bid and authorization	2017/06/05	M.G./K.N.

CIMA+
 740 Notre-Dame Street West, Suite 900
 Montreal, Quebec, H3C 3X6
 T.: 514 337-2462
 F.: 514 281-1632
 www.cima.ca

Client: Fisheries and Oceans / Pêches et Océans Canada
 Project title: Nicolson Dam Rehabilitation
 Drawing title: Auxiliary Spillway Abutment Walls Plan and Sections
 Project Manager: M.Grignon, P.Eng.

Project number: A000492F
 Designed by: C.G.-Pagé, P.Eng.
 Drawn by: K.Nonen, Tech.
 Verified by: M.Grignon, P.Eng.
 Revision: A
 Drawing No: S14

This plan may not be used for construction or manufacturing purpose, unless specifically submitted, signed and stamped for that purpose.