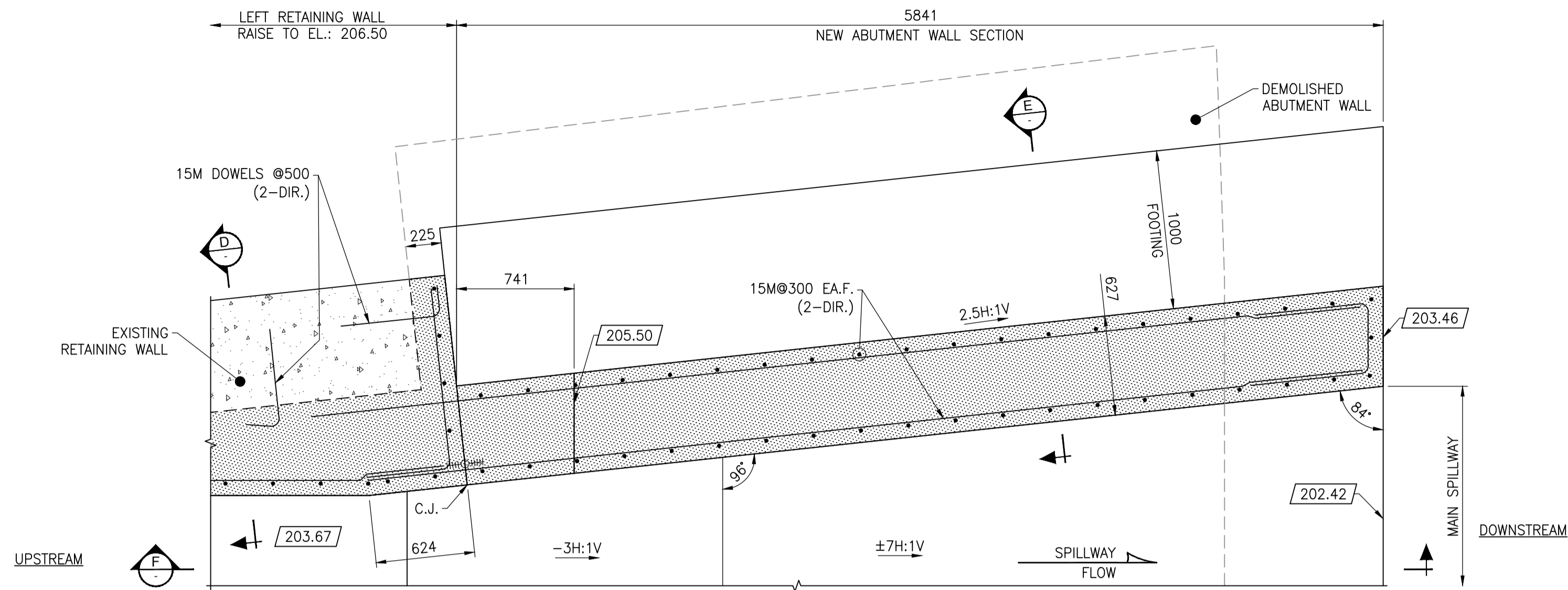
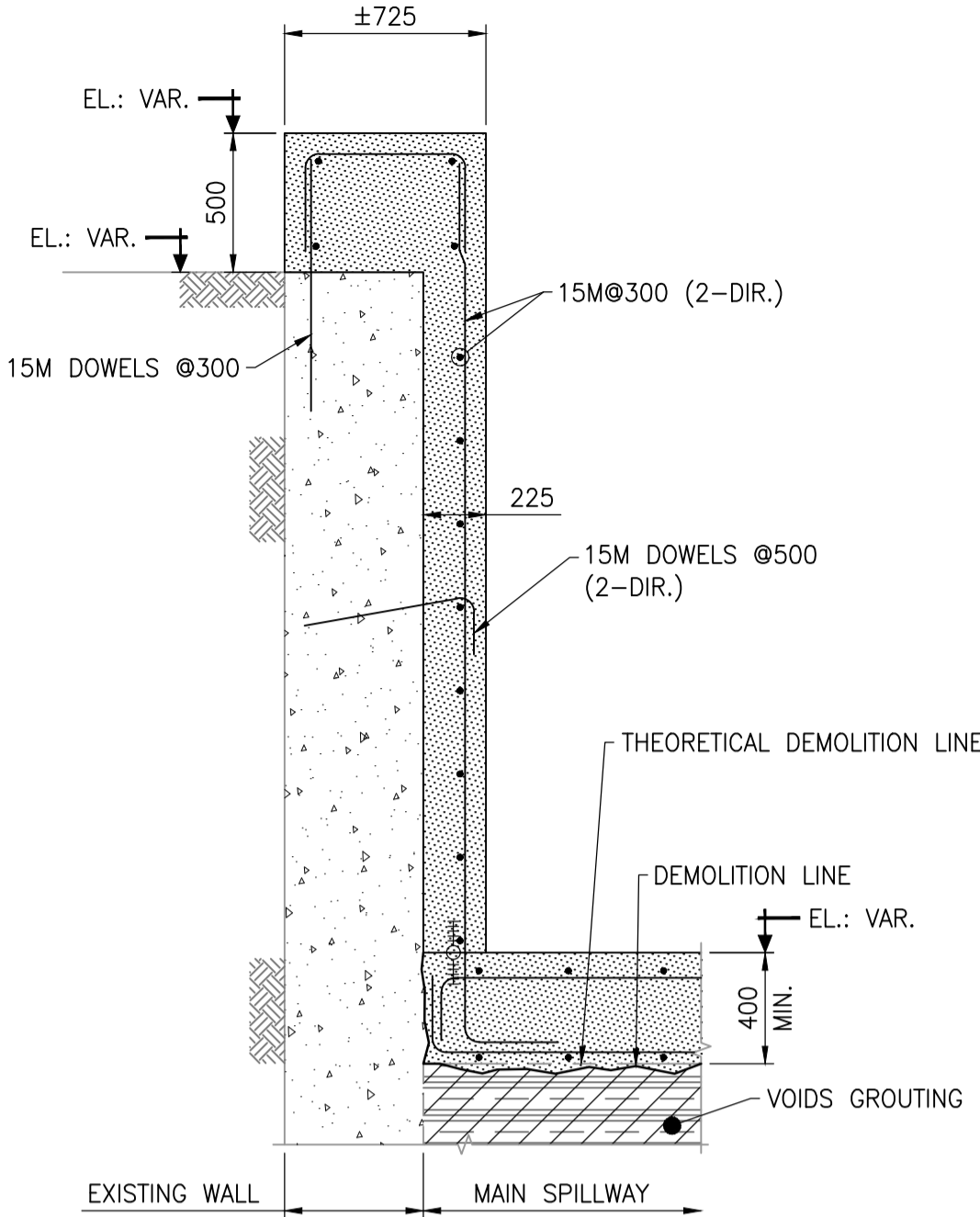


THIS SCALE TO BE USED TO OBTAIN A SCALE FACTOR FOR MEASURES IF THIS DRAWING IS NOT PRINTED ON A SIZE PAPER. 0 mm, 10 mm, 20 mm, 30 mm, 40 mm, 50 mm, 100 mm

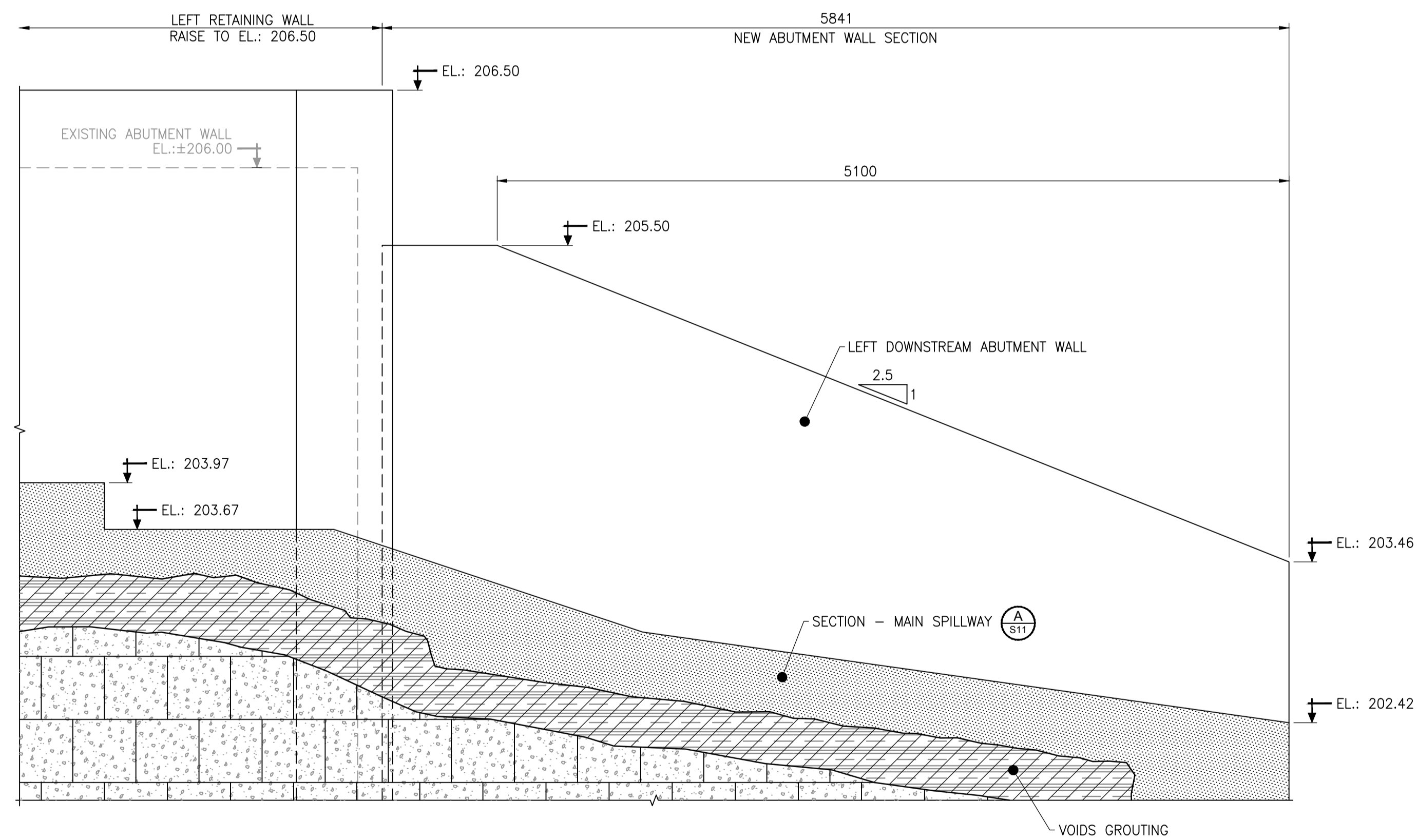
F:\cma-2018\Structures\ENR\ENR\00492F - Nicolson Dam Rehabilitation\Comp\enr\00492F.dwg / Layout: S12 / Last save: 2017/06/02, 13:50  
 File name: A00492F\_S11.dwg / User: M.G.K.N. / Printed: 2017/06/02, 13:50



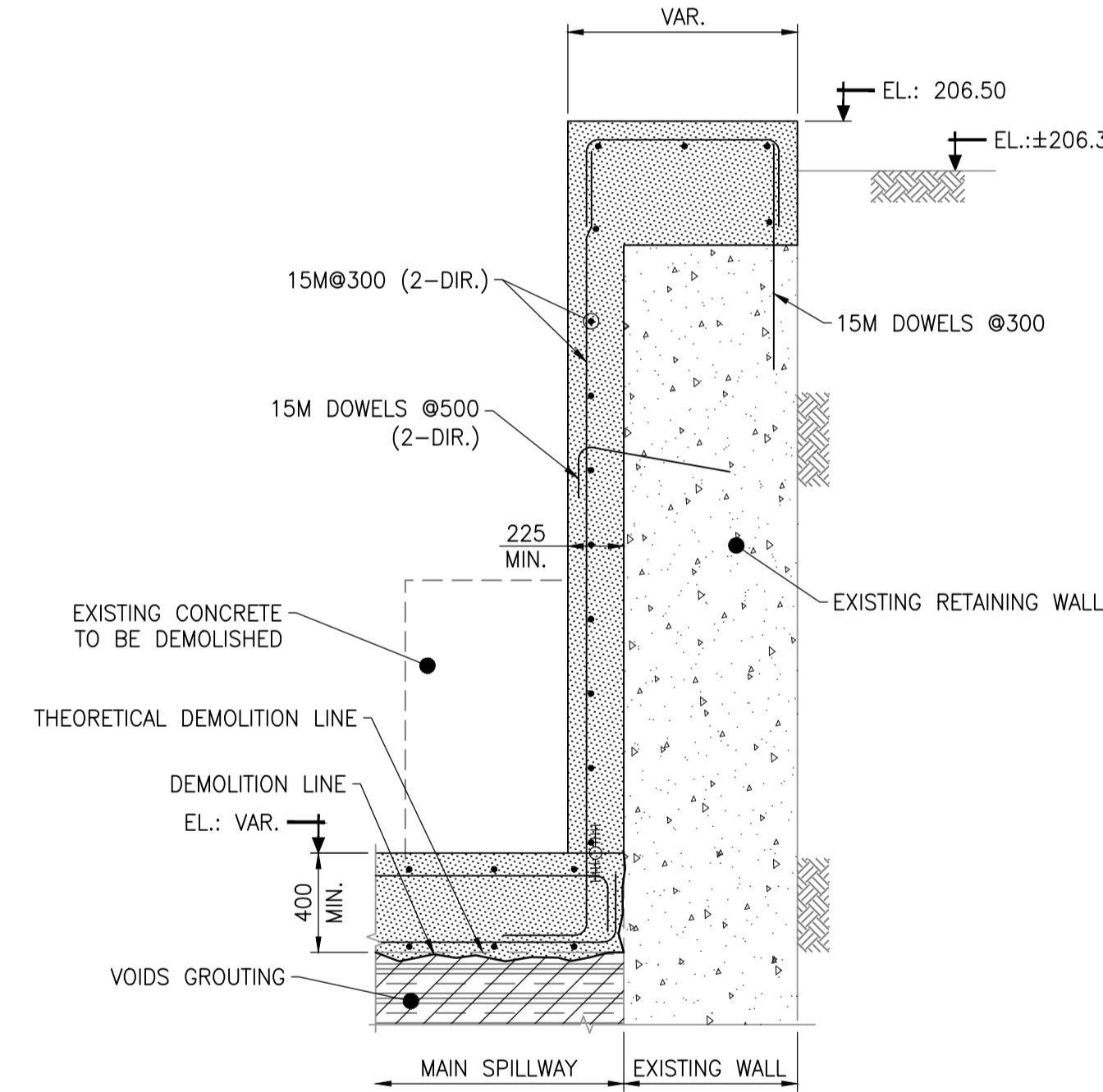
**Plan**  
**Left Downstream Abutment Wall** **2**  
 1:25 **S11**



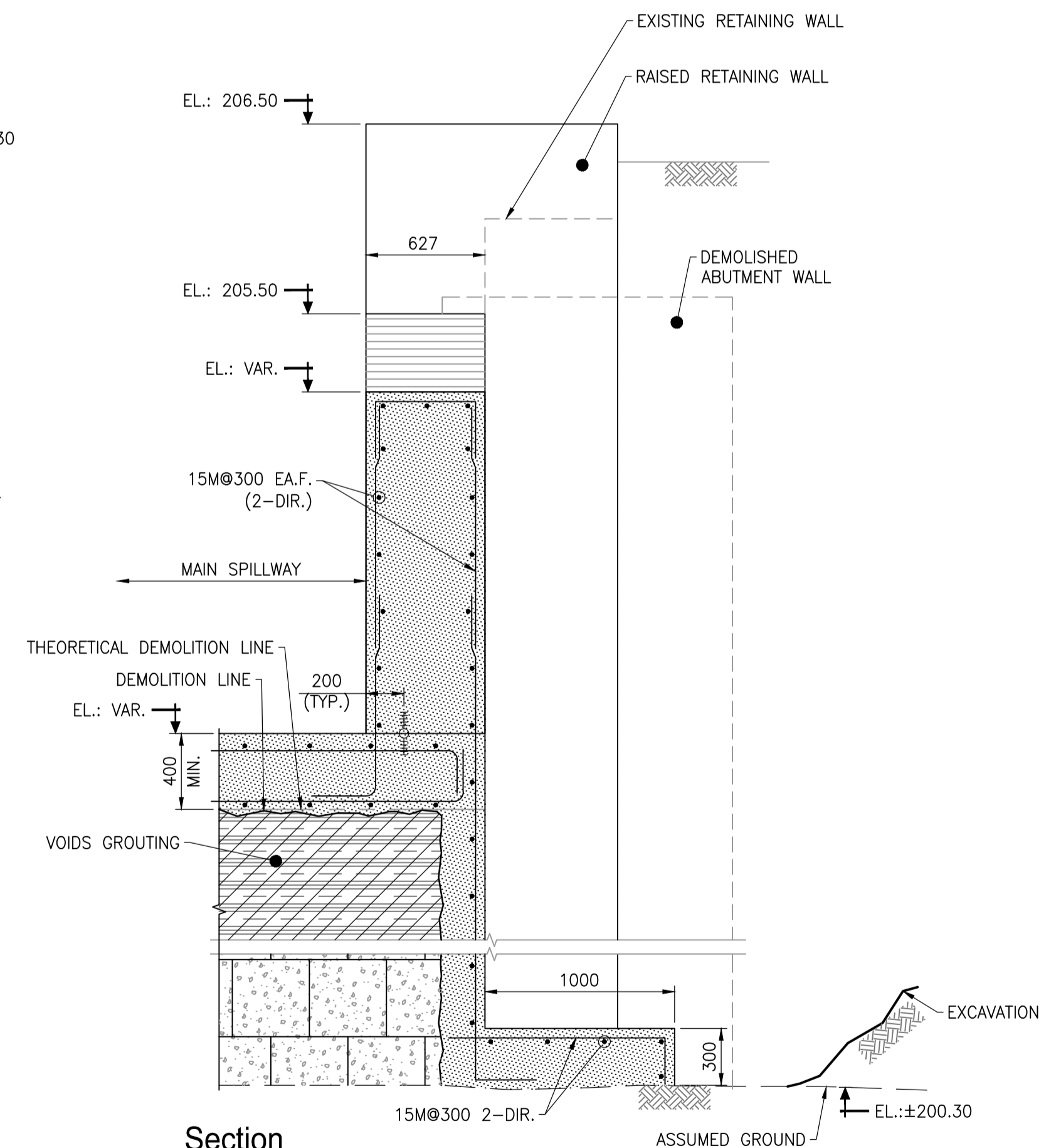
**Section - Right Abutment Wall** **C**  
 1:25 **S11**



**Section**  
**Left Downstream Abutment Wall** **F**  
 1:25



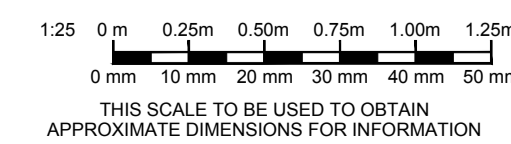
**Section**  
 1:25 **D**  
**S11**



**Section**  
**Left Downstream Abutment Wall** **E**  
 1:25 **S11**

**Notes**

- SEE DWG G02 FOR DRAWING LIST, GENERAL NOTES, ABBREVIATIONS AND LEGEND.



THIS SCALE TO BE USED TO OBTAIN APPROXIMATE DIMENSIONS FOR INFORMATION

No	Revision	Date	Eng / cad
A	Issued for bid and authorization	2017/06/05	M.G./K.N.

**CIMA**  
 Cima+  
 740 Notre-Dame Street West, Suite 900  
 Montreal, Quebec, H3C 3X6  
 T.: 514 337-2462  
 F.: 514 281-1632  
 www.cima.ca  
 Project Manager:  
 M.Grignon, P.Eng.

Client:  
**Canada** Fisheries and Oceans / Pêches et Océans Canada  
 Project title:  
**Nicolson Dam Rehabilitation**  
 Drawing title:  
**Main Spillway Abutment Walls Plan and Sections**

Project number:  
 A00492F  
 Designed by:  
 C.G.-Pagé, P.Eng.  
 Drawn by:  
 K.Nonen, Tech.  
 Verified by:  
 M.Grignon, P.Eng.  
 Revision:  
 A  
 Drawing N°:  
**S12**