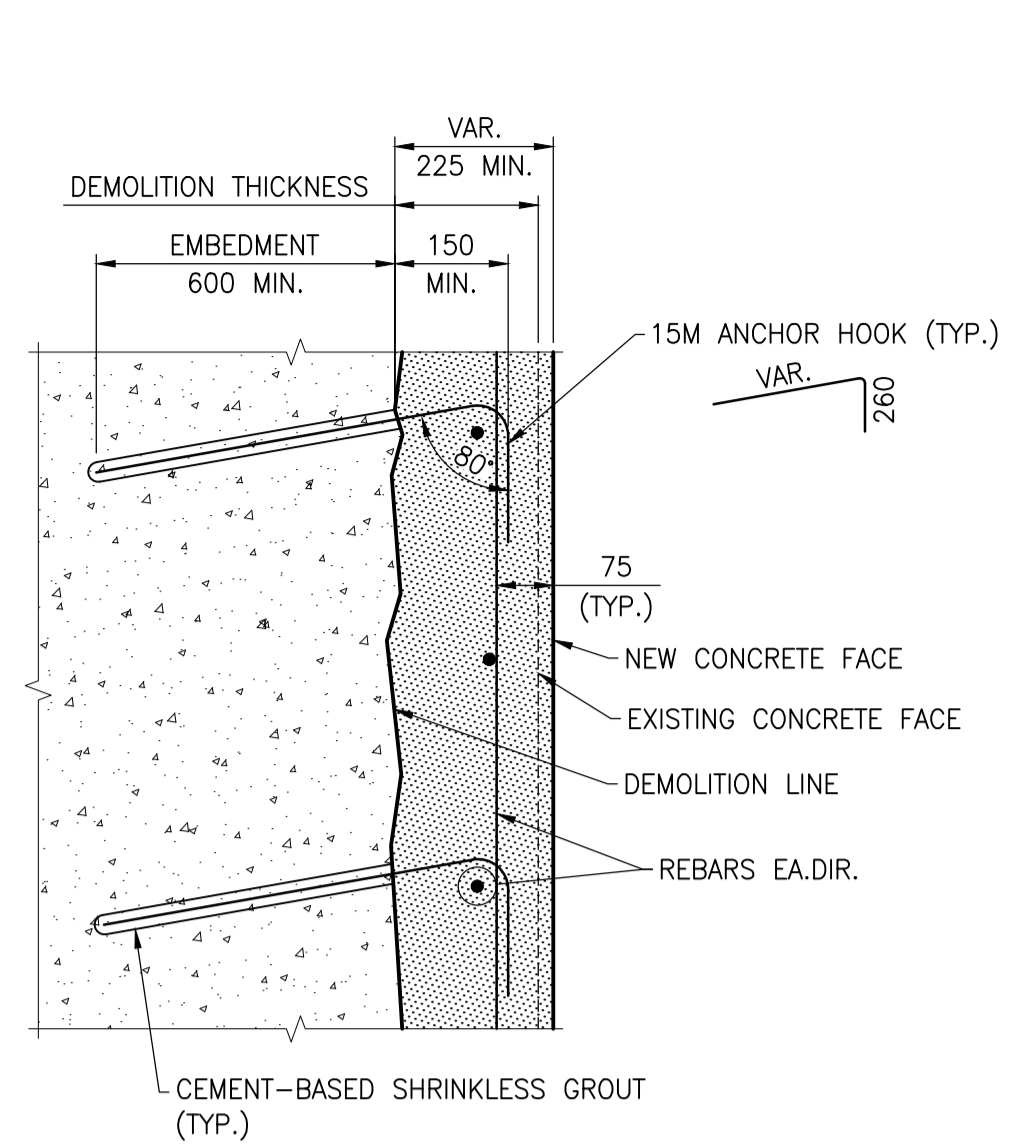
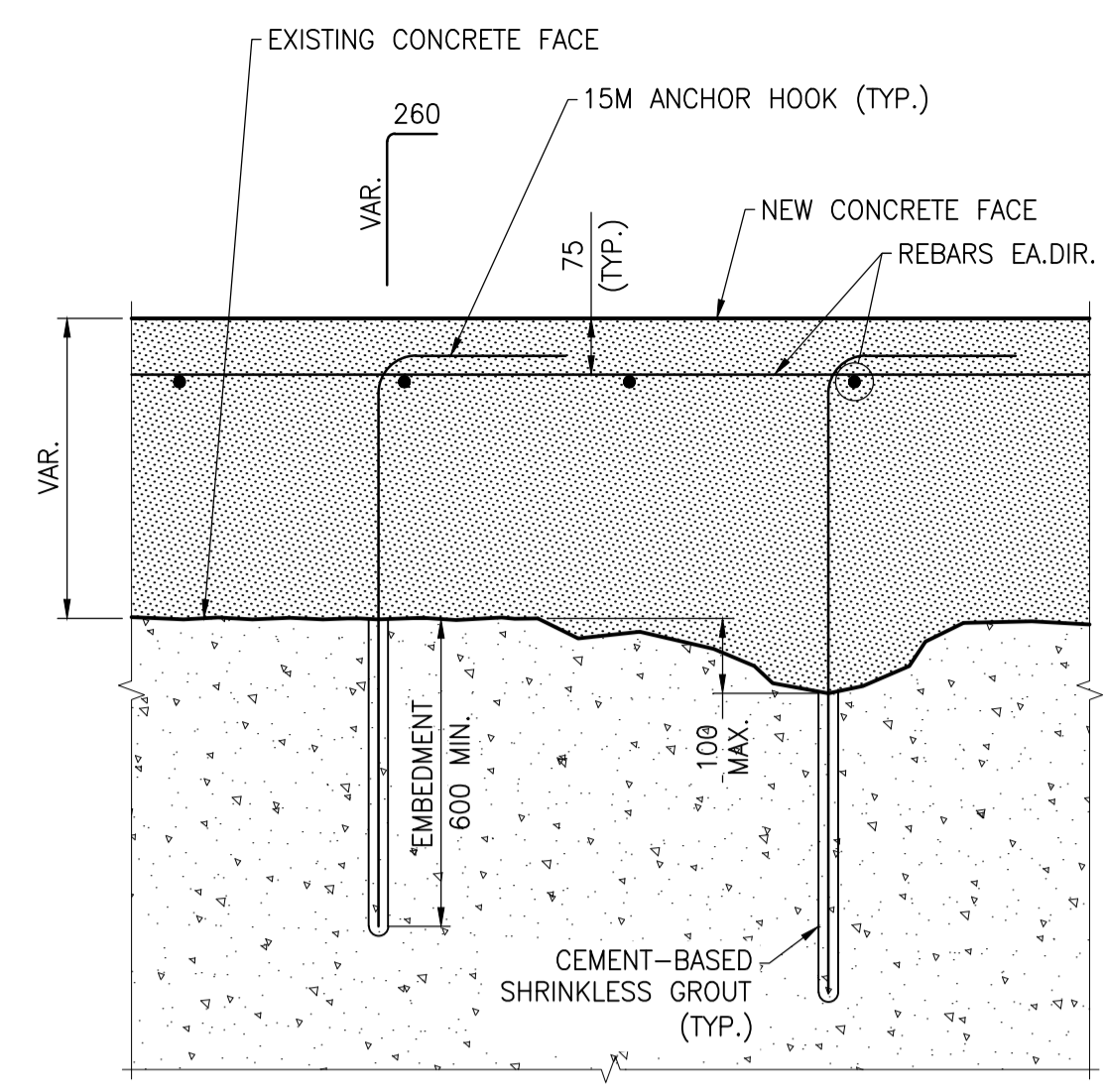


THIS SCALE TO BE USED TO OBTAIN A SCALE FACTOR FOR MEASURES IF THIS DRAWING IS NOT PRINTED ON A SIZE PAPER. MEASURES OBTAINED FROM SCALING ARE APPROXIMATE AND TO BE USED FOR INFORMATION ONLY.

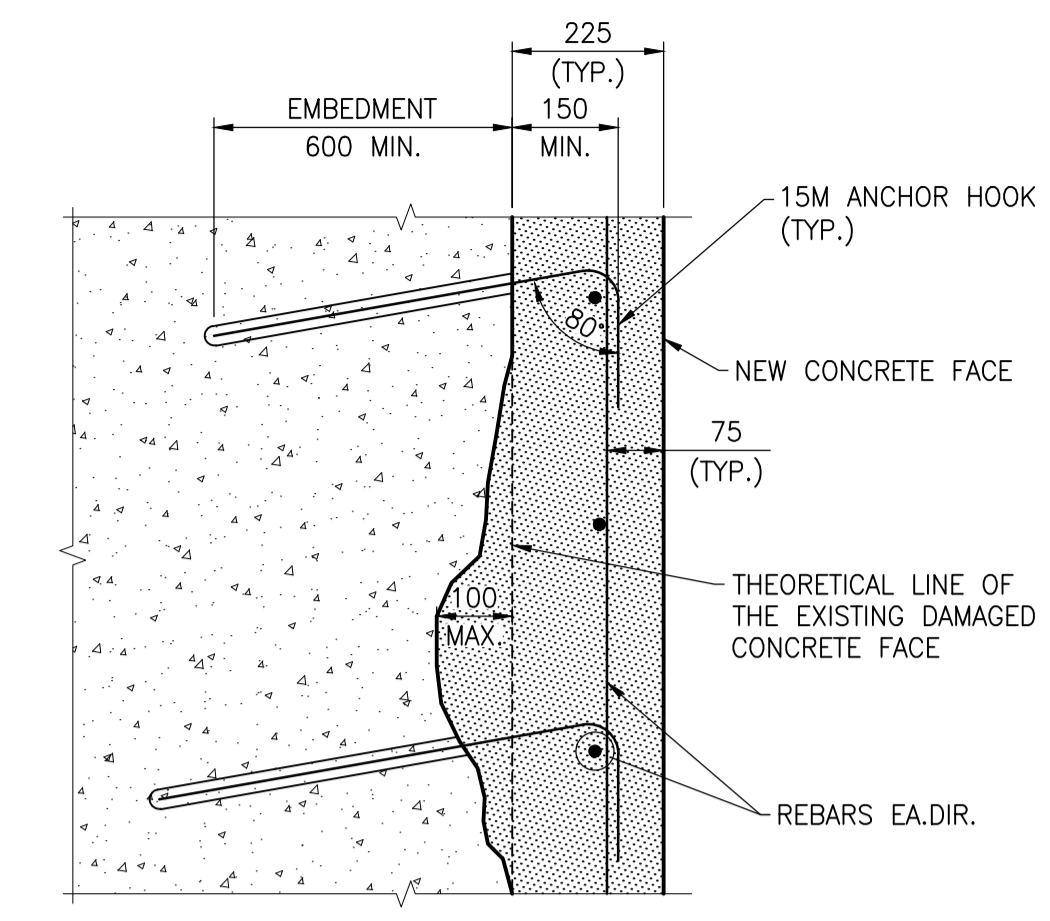
Fichier: Z:\Cima-2005\Structure\Projets\ENERGIE\000492F - Nouvelle Dam Rehabilitation\Competition\00_Plan_1a.dwg
 Date: 2017/06/05 13:35
 Imprimé: 2017/06/05 13:35
 Fichier: A000492F_S01.dwg / Layout: S01 / Dernière sauvegarde: 2017/06/05 13:35



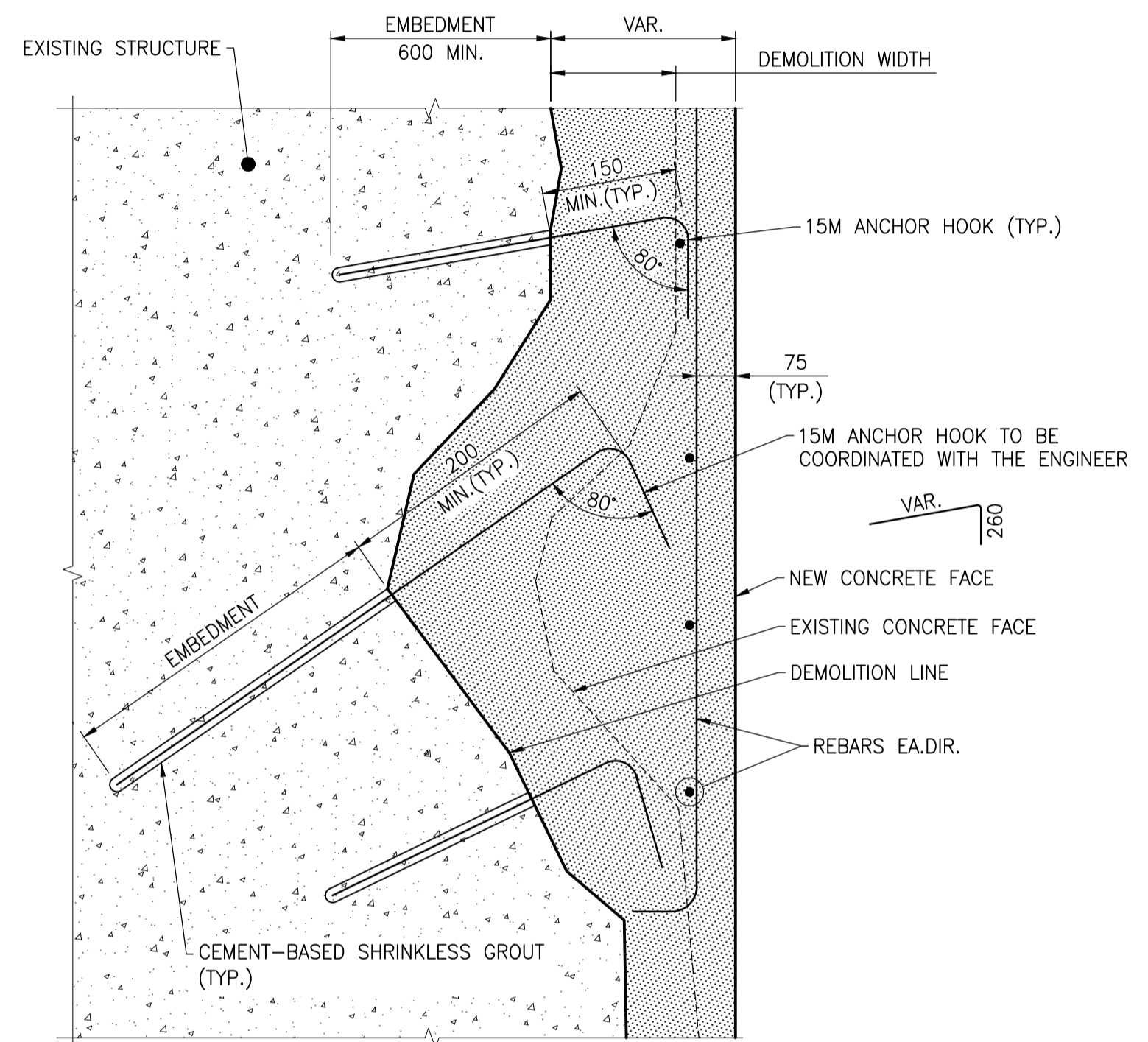
**Concrete Overlay (Vert.)
Demolition Required**
N.T.S. (typical) **1**



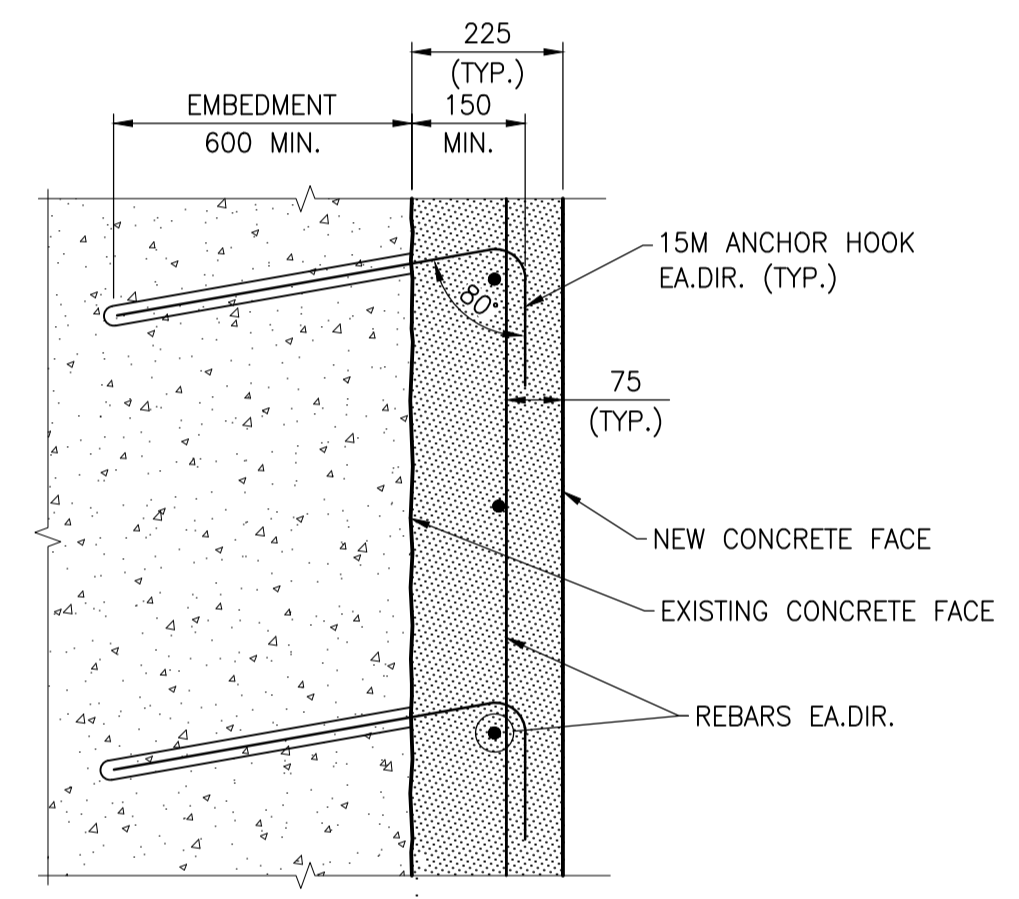
**Concrete Overlay (Hor.)
Without Demolition and Small Voids**
N.T.S. (typical) **2a**



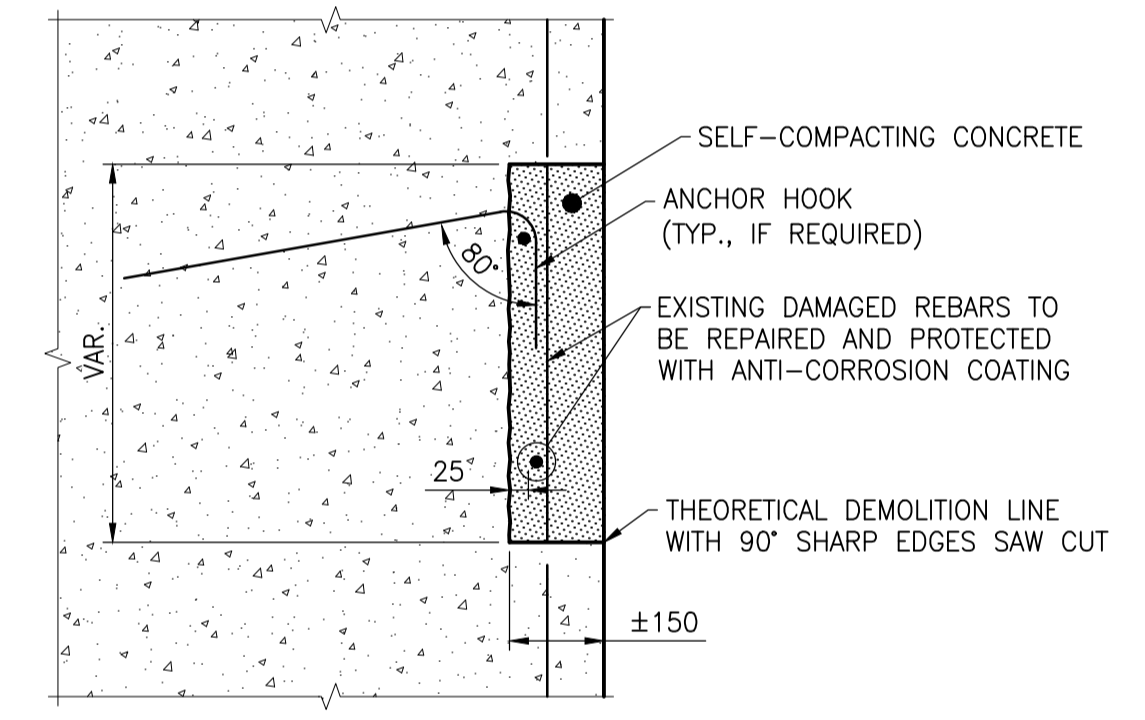
**Concrete Overlay (Vert.)
Without Demolition and Small Voids**
N.T.S. (typical) **2b**



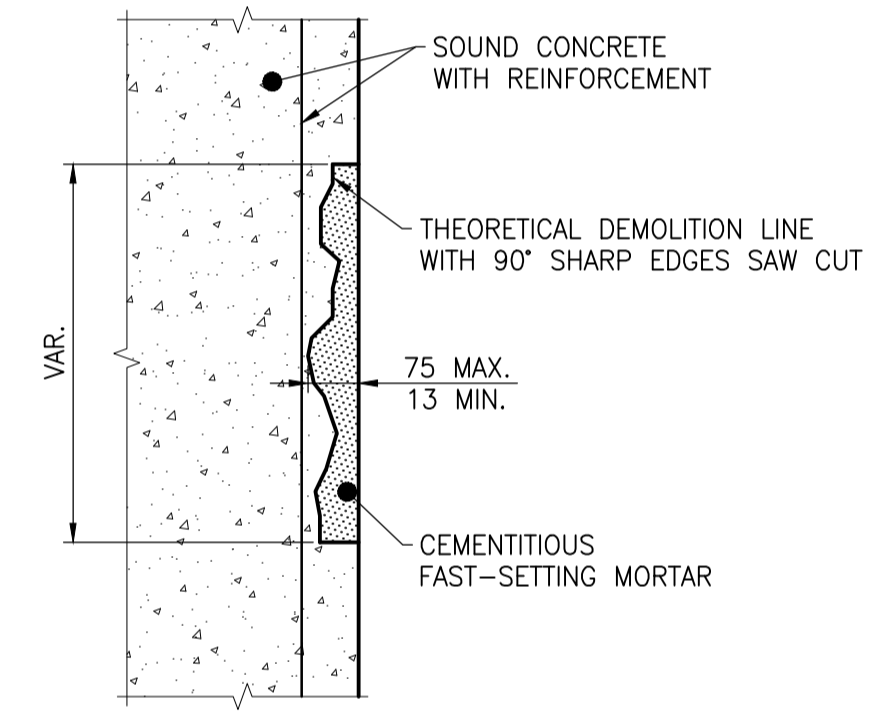
**Concrete Overlay
Demolition or Voids**
N.T.S. (typical) **4**



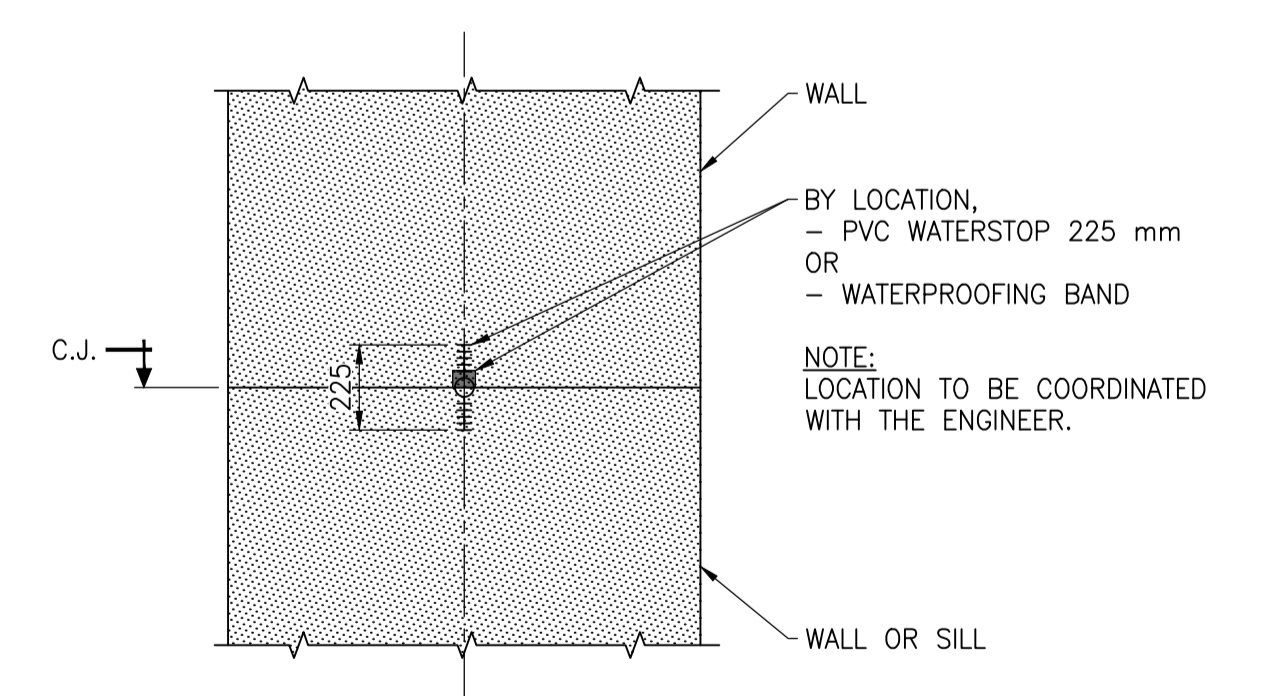
**Concrete Overlay (Vert.)
Without Demolition**
N.T.S. (typical) **2c**



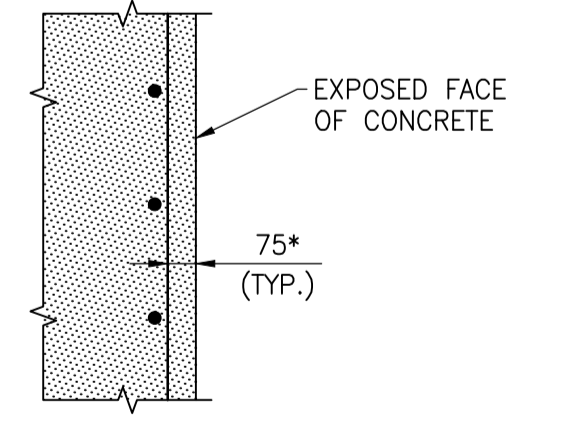
**Local Repair - Deep
(Min. Area 500 mm x 500 mm)**
N.T.S. (typical) **3a**



**Local Repair - Shallow
(Min. Area 250 mm x 250 mm)**
N.T.S. (typical) **3b**



**Waterstop or Waterproofing Bands
(Wall / Wall)**
1:20 (typical)



Rebar Cover
1:20 (typical)

(* UNLESS OTHERWISE SPECIFIED)

Notes
1. SEE DWG G02 FOR DRAWING LIST, GENERAL NOTES, ABBREVIATIONS AND LEGEND.

1:20 0mm 200mm 400mm 600mm 800mm 1000mm
 0mm 10mm 20mm 30mm 40mm 50mm
 THIS SCALE TO BE USED TO OBTAIN APPROXIMATE DIMENSIONS FOR INFORMATION

No	Revision	Date	ing / cad
A	Issued for bid and authorization	2017/06/05	M.G./K.N.

CIMA
 Cima+
 740 Notre-Dame Street West, Suite 900
 Montréal, Québec, H3C 3X6
 T.: 514-337-2462
 F.: 514-281-1632
 www.cima.ca
 Project Manager:
 M.Grignon, P.Eng.

Client: Fisheries and Oceans / Pêches et Océans Canada
 Project title: Nicolston Dam Rehabilitation
 Drawing title: Concrete Repairs Typical Details
 Project number: A000492F
 Designed by: C.G.-Pagé, P.Eng.
 Drawn by: K.Nonen, Tech.
 Verified by: M.Grignon, P.Eng.
 Revision: A
 Drawing N°: S01