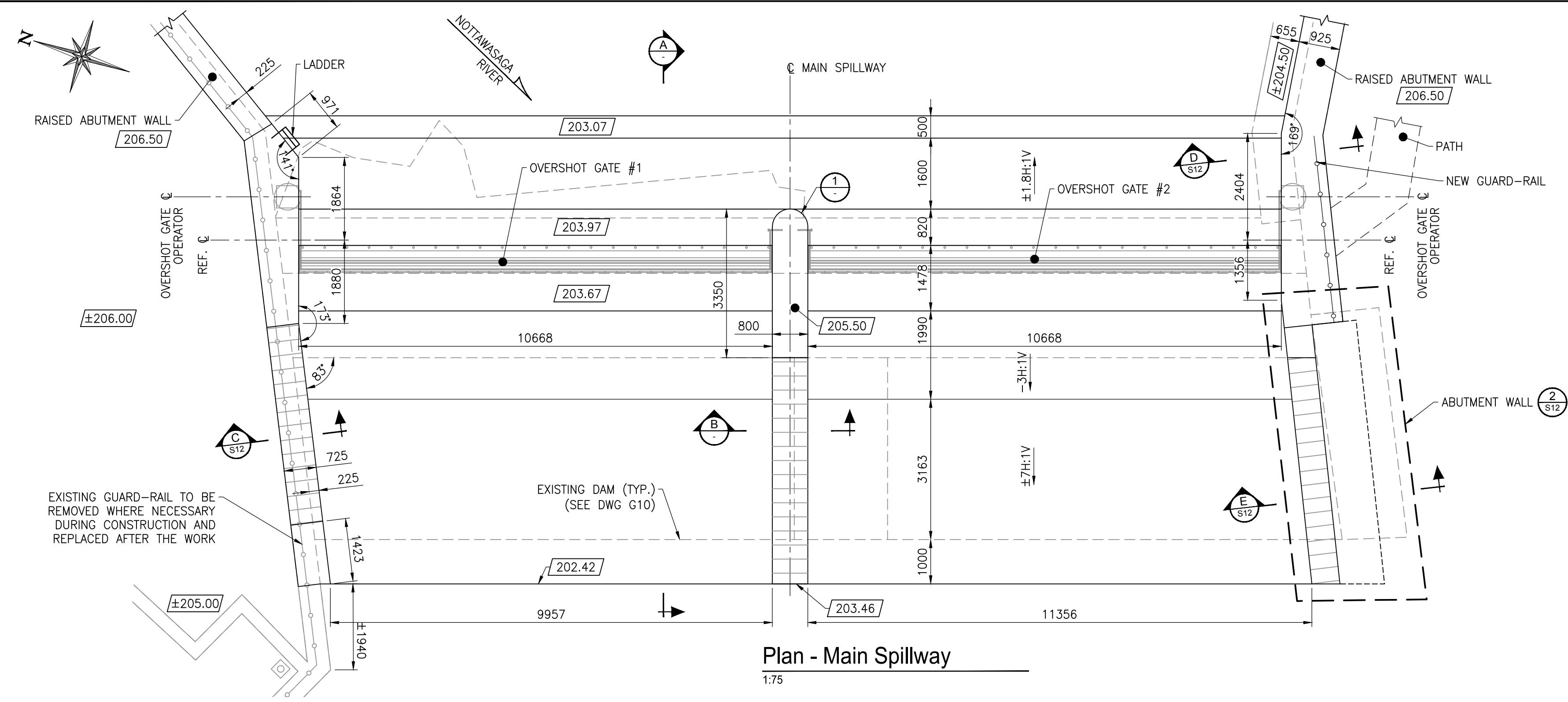
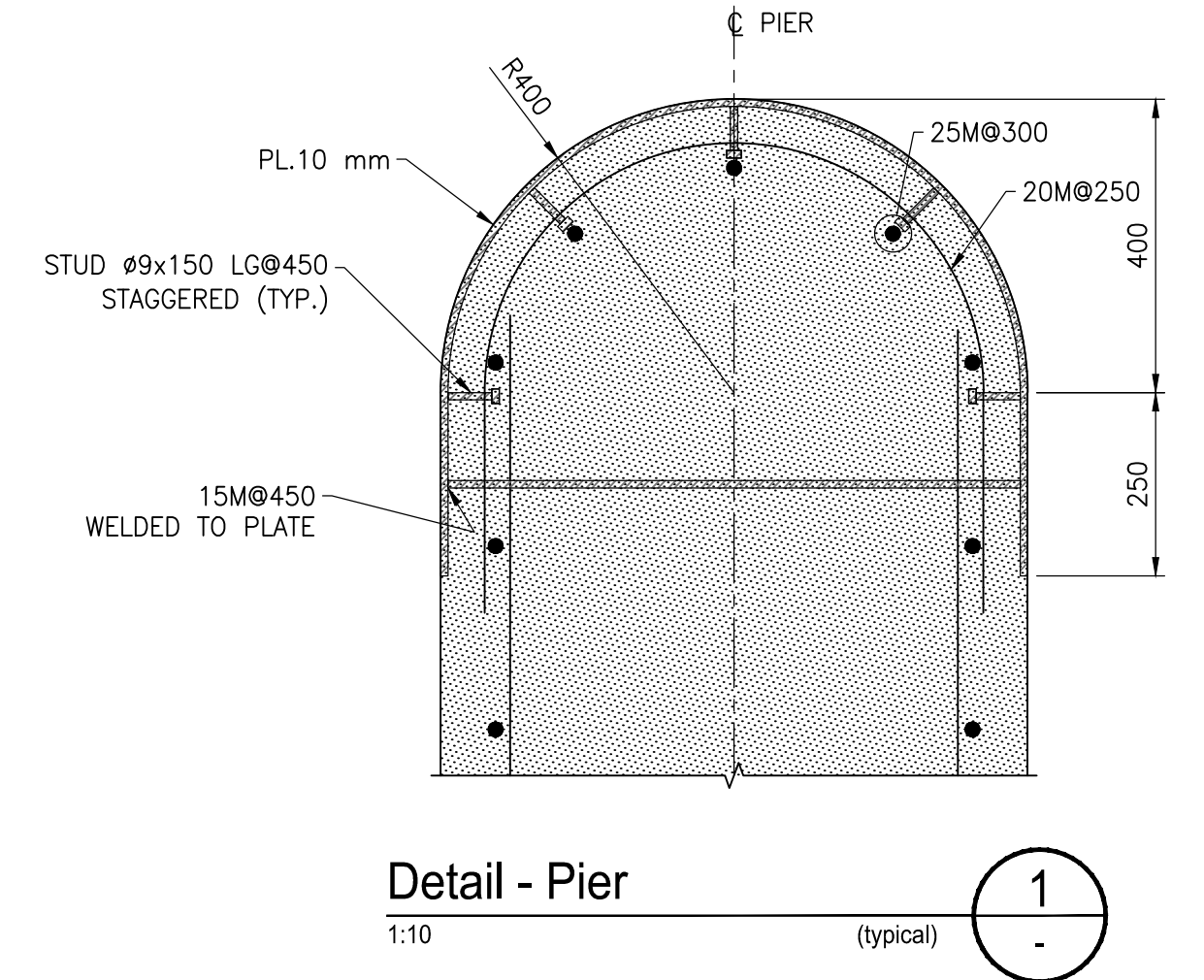


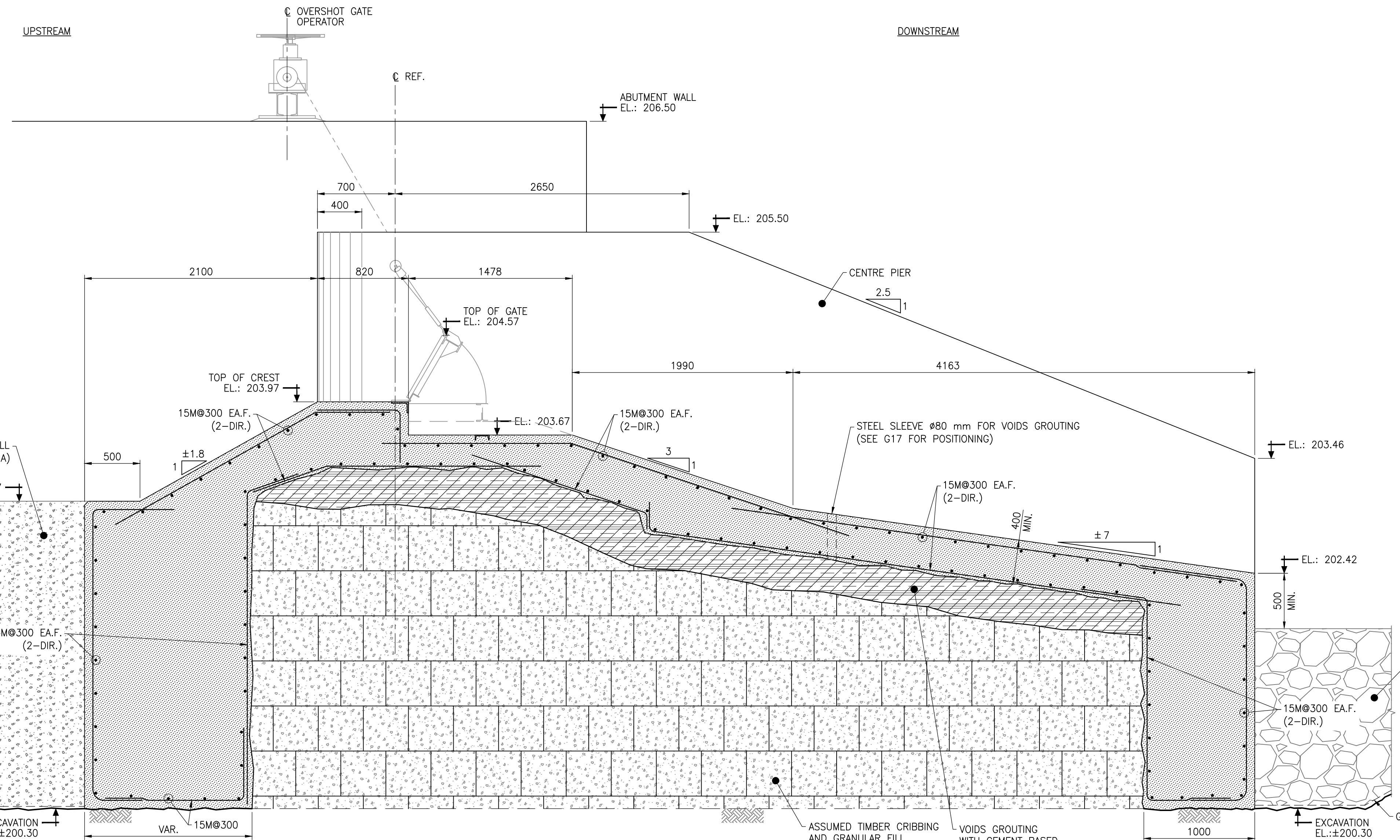
THIS SCALE TO BE USED TO OBTAIN A SCALE FACTOR FOR MEASURES IF THIS DRAWING IS NOT PRINTED ON A SIZE PAPER. MEASURES OBTAINED FROM SCALING ARE APPROXIMATE AND TO BE USED FOR INFORMATION ONLY.



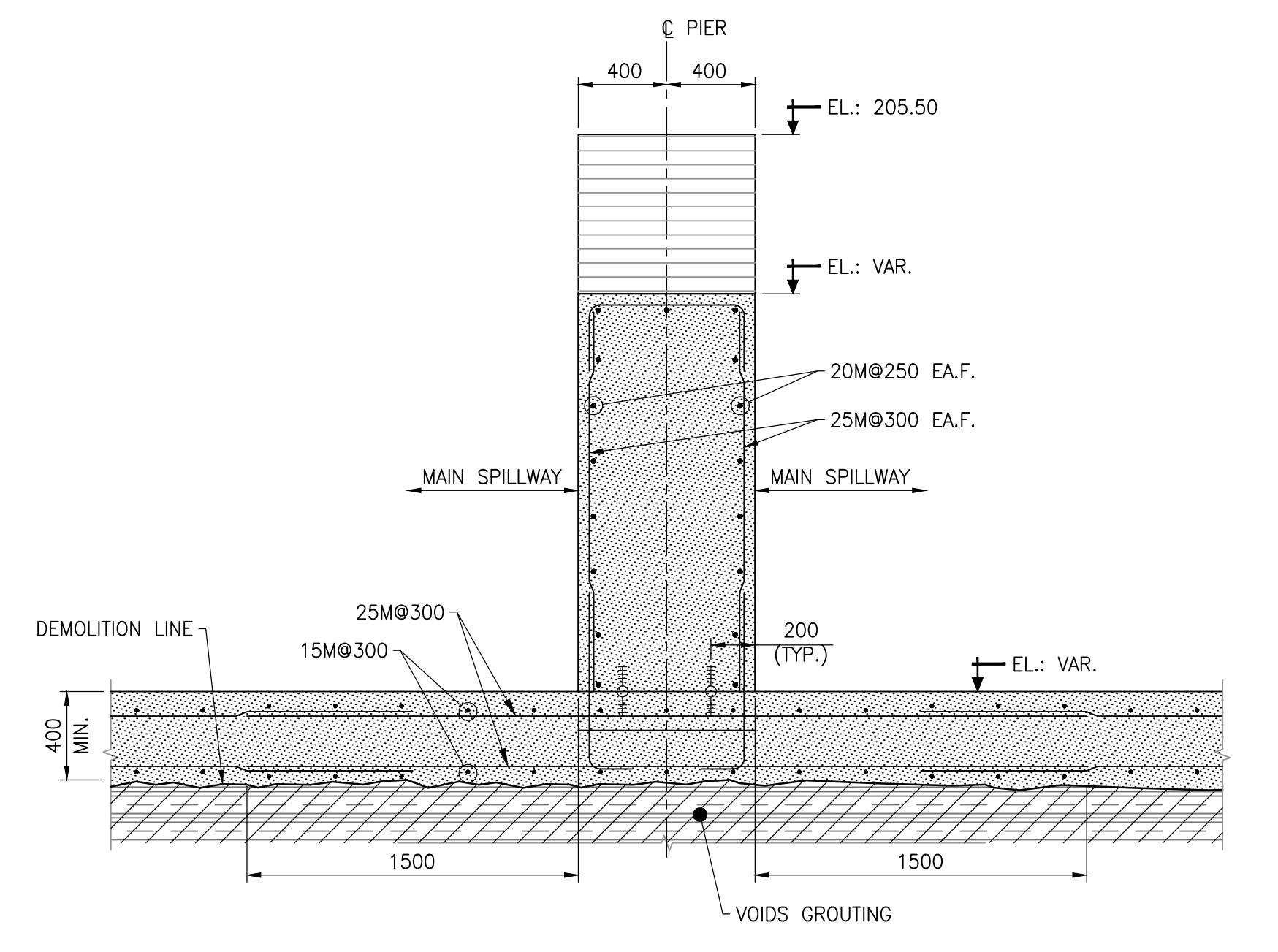
Plan - Main Spillway
1:75



Detail - Pier
1:10 (typical)



Section - Main Spillway
1:25



Section - Pier
1:25

Notes
 1. SEE DWG G02 FOR DRAWING LIST, GENERAL NOTES, ABBREVIATIONS AND LEGEND.

No	Revision	Date	By
1	Issued for bid and authorization	2017/06/05	M.G./K.N.

CIMA+
 740 Notre-Dame Street West, Suite 900
 Montreal, Quebec, H3C 3X6
 T.: 514 337-2462
 F.: 514 281-1632
 www.cima.ca

Client: Fisheries and Oceans / Pêches et Océans Canada
 Project title: Nicolston Dam Rehabilitation
 Drawing title: Main Spillway Plan, Sections and Detail
 Project Manager: M.Grignon, P.Eng.

Project number: A000492F
 Designed by: C.G.-Pagé, P.Eng.
 Drawn by: K.Nonen, Tech.
 Verified by: M.Grignon, P.Eng.
 Revision: A
 Drawing N°: S11

1:75 0 m 0.75m 1.50m 2.25m 3.00m 3.75m
 1:25 0 m 0.25m 0.50m 0.75m 1.00m 1.25m
 0 mm 10 mm 20 mm 30 mm 40 mm 50 mm
 THIS SCALE TO BE USED TO OBTAIN APPROXIMATE DIMENSIONS FOR INFORMATION