



WSP Project # 151-05897-04

July 2017
 PROFESSIONAL
 M. M. DEAN
 ENGINEER
Michael Dean

GENERAL ABBREVIATIONS:

AD	ACCESS DOOR	NTS	NOT TO SCALE
AP	ACCESS PANEL	Re	REMOVE EXISTING
AFF	ABOVE FINISHED FLOOR	R	RELOCATED ITEM
CTE	CONNECT TO EXISTING	Re & Re	REMOVE AND RELOCATE
CW	COMPLETE WITH	T.S.	TAMPER SWITCH
DCW	DOMESTIC COLD WATER	T.R.	TO REMAIN
EW	EYE WASH STATION	TS	TAMPER SWITCH
FS	FLOW SWITCH	U.O.N.	UNLESS OTHERWISE NOTED
N	NEW ITEM		
NIC	NOT IN CONTRACT		

GENERAL SYMBOLS:

	PIPE CONNECTION		REDUCER (PIPE OR DUCT)		GLOBE VALVE		PRESSURE REGULATING VALVE
	PIPE TEE DOWN		FLANGE		FLOW SWITCH		65 ANGLE HOSE GATE VALVE
	PIPE OFFSET UP		UNION		PRESSURE SWITCH		2 WAY CONTROL VALVE (ELECTRIC)
	PIPE OFFSET DOWN		ISOLATION VALVE		PRESSURE GAUGE		3 WAY CONTROL VALVE (ELECTRIC)
	PIPE CAP		GATE VALVE		THERMOMETER		2 WAY CONTROL VALVE (PNEUMATIC)
	PIPE CONTINUES		BUTTERFLY VALVE		PRESSURE RELIEF VALVE		3 WAY CONTROL VALVE (PNEUMATIC)
			CHECK VALVE		AUTOMATIC AIR VENT		PUMP
			STRAINER		CONTROL VALVE CW TAMPER SWITCH		DRAWING NOTE
			BALANCING VALVE		DIRECT ELECTRICAL POWER CONNECTION POINT		
	SECTION CALLOUT		EQUIPMENT TAG TYPE OF EQUIPMENT EQUIPMENT NUMBER		REFERENCE CALLOUT		
	VIEW TITLE SCALE						

LEGEND:

	PIPING OR EQUIPMENT TO BE REMOVED OR RELOCATED
	NEW PIPING OR EQUIPMENT
	EXISTING PIPING OR EQUIPMENT

GENERAL NOTES:

- CONTRACTOR IS TO REFER TO ALL DRAWINGS AND REUSE ALL EXISTING COMPONENTS WHERE INDICATED. COMPONENTS NOT REUSED ARE TO BE DISPOSED OF.
- CONTRACTOR SHALL RETAIN THE SERVICES OF A CERTIFIED ELECTRICIAN TO DISCONNECT AND RECONNECT POWER CABLES SAFELY AND TO CURRENT CODES. ALL MOTOR CONNECTIONS ARE THE SAME SIZE AND NO CHANGES OTHER THAN THE EXTENSION OF POWER CABLES ARE ANTICIPATED. CONTRACTOR IS TO OBTAIN AND PAY FOR AN ELECTRICAL PERMIT AND COORDINATE WITH DEPARTMENTAL REPRESENTATIVE.
- ANTICIPATED PROJECT CONSTRUCTION SEQUENCE OF WORK
 - STAGE 1.
 - PROTECT EXISTING ELECTRICAL COMPONENTS, INSTALL WET FIRE PROTECTION SYSTEM, NEW TEST HEADER AND NEW JOCKEY PUMP.
 - TEST AND VERIFY ALL STAGE 1 COMPONENTS.
 - STAGE 2.
 - ISOLATE, REMOVE AND INSTALL NEW DIESEL FIRE PUMP, DRIVER AND RECONFIGURE PIPING AS INDICATED.
 - ENSURE DIESEL FIRE PUMP SYSTEM IS ACTIVE AND WORKING DURING DIESEL FIRE PUMP REPLACEMENT.
 - TEST AND VERIFY ALL STAGE 2 COMPONENTS.
 - STAGE 3.
 - ISOLATE, REMOVE AND INSTALL NEW ELECTRIC FIRE PUMP, DRIVER AND RECONFIGURE PIPING AS INDICATED.
 - ENSURE DIESEL FIRE PUMP SYSTEM IS ACTIVE AND WORKING DURING ELECTRIC FIRE PUMP REPLACEMENT.
 - TEST AND VERIFY ALL STAGE 1, 2 & 3 COMPONENTS AND CERTIFY ENTIRE FIRE PUMP SYSTEM.
- THE CONTRACTOR IS TO ENSURE THAT THE FIRE PUMP SYSTEM IS NOT OFF LINE AT ANYTIME FOR MORE THAN 8 HOURS. ISOLATION OF ALL THE COMPONENTS IN THIS PROJECT IS POSSIBLE TO ALLOW AT LEAST ONE FIRE PUMP TO BE ACTIVE AT ALL TIMES. IT IS EXPECTED THAT THE GENERAL CONTRACTOR MAY REQUIRE SITE VERIFICATION OF FIRE ALARMS UP TO THREE CONSECUTIVE TIMES AND HAVE SEVERAL SHUTDOWNS OF THE FIRE WATER RESERVOIR OF NO MORE THAN AN 8 HOUR WORK PERIOD. BOTH FIRE PUMPS ARE TO BE KEPT ON LINE FOR AS LONG AS POSSIBLE TO PROVIDE THE MAXIMUM POSSIBLE LEVEL OF FIRE PROTECTION TO THE FACILITY.

MECHANICAL DRAWING LIST

DRAWING NO.	DRAWING NAME	SCALE
FP-001	LEGEND & DRAWING LIST	N/A
FP-100	FIRE PUMP SYSTEM - EXISTING	1:25
FP-101	FIRE PUMP SYSTEM - DEMO	1:25
FP-102	FIRE PUMP SYSTEM - NEW	1:25
FP-300	DETAILS & SCHEMATICS AND ELECTRICAL EQUIPMENT PROTECTION	AS NOTED

Revision/	Description/Description	Date/Date
5		
4		
3	ISSUED FOR TENDER	2017/07/04
2	ISSUED FOR 100% REVIEW	2017/06/13
1	ISSUED FOR 95% REVIEW	2017/05/04
0	ISSUED FOR 85% REVIEW & COSTING	2017/04/11

Client/client
WILLIAM HEAD INSTITUTION
 6000 William Head Rd,
 Victoria, BC V9C 0B5

Project title/Titre du projet
FIRE PUMP REPLACEMENT

Consultant Signature Only
CONSULTANT_SIGNATURE_ONLY
 Designed by/Concept par
 MMD
 Drawn by/Dessiné par
 HCP & DMM
 PWGSC Project Manager/Administrateur de Projets TPSGC
 PATRICK TRUONG
 Regional Manager, Architectural and Engineering Services
 Gestionnaire régional, Services d'architecture et de génie, TPSGC
 PREETIPAL PAUL

Drawing title/Titre du dessin
LEGEND AND DRAWING LIST

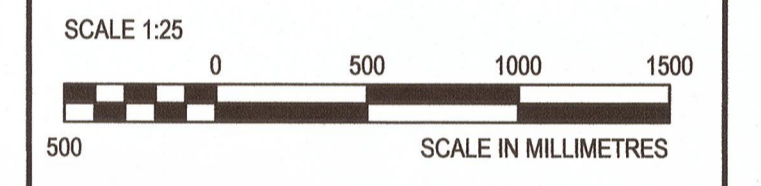
Project No./No. du projet R071314.001	Sheet/Feuille FP-001	Revision no./La Révision no. 0
---	--------------------------------	--





WSP Project # 151-05897-04

2/26/2017
 PROFESSIONAL
 ENGINEER
 M. M. DEAN
 CIVIL
M. M. Dean



5		
4		
3	ISSUED FOR TENDER	2017/07/04
2	ISSUED FOR 100% REVIEW	2017/06/12
1	ISSUED FOR 95% REVIEW	2017/06/09
0	ISSUED FOR 65% REVIEW & COSTING	2017/04/11
Revision/Évaluation	Description/Description	Date/Date

WILLIAM HEAD INSTITUTION
 6000 William Head Rd,
 Victoria, BC V9C 0B5

Project title/Titre du projet

FIRE PUMP REPLACEMENT

Consultant Signature Only
 CONSULTANT_SIGNATURE_ONLY
 Designed by/Concept par
 MMD
 Drawn by/Dessiné par
 HCP & DMM
 PWGSC Project Manager/Administrateur de Projets TPSGC
 PATRICK TRUONG
 Regional Manager, Architectural and Engineering Services
 Gestionnaire régionale, Services d'architecture et de génie, TPSGC
 PREETIPAL PAUL
 Drawing title/Titre du dessin
FIRE PUMP SYSTEM - EXISTING

Project No./No. du projet R071314.001	Sheet/Feuille FP-100 2 OF 5	Revision no./La Révision no. 0
---	--	--

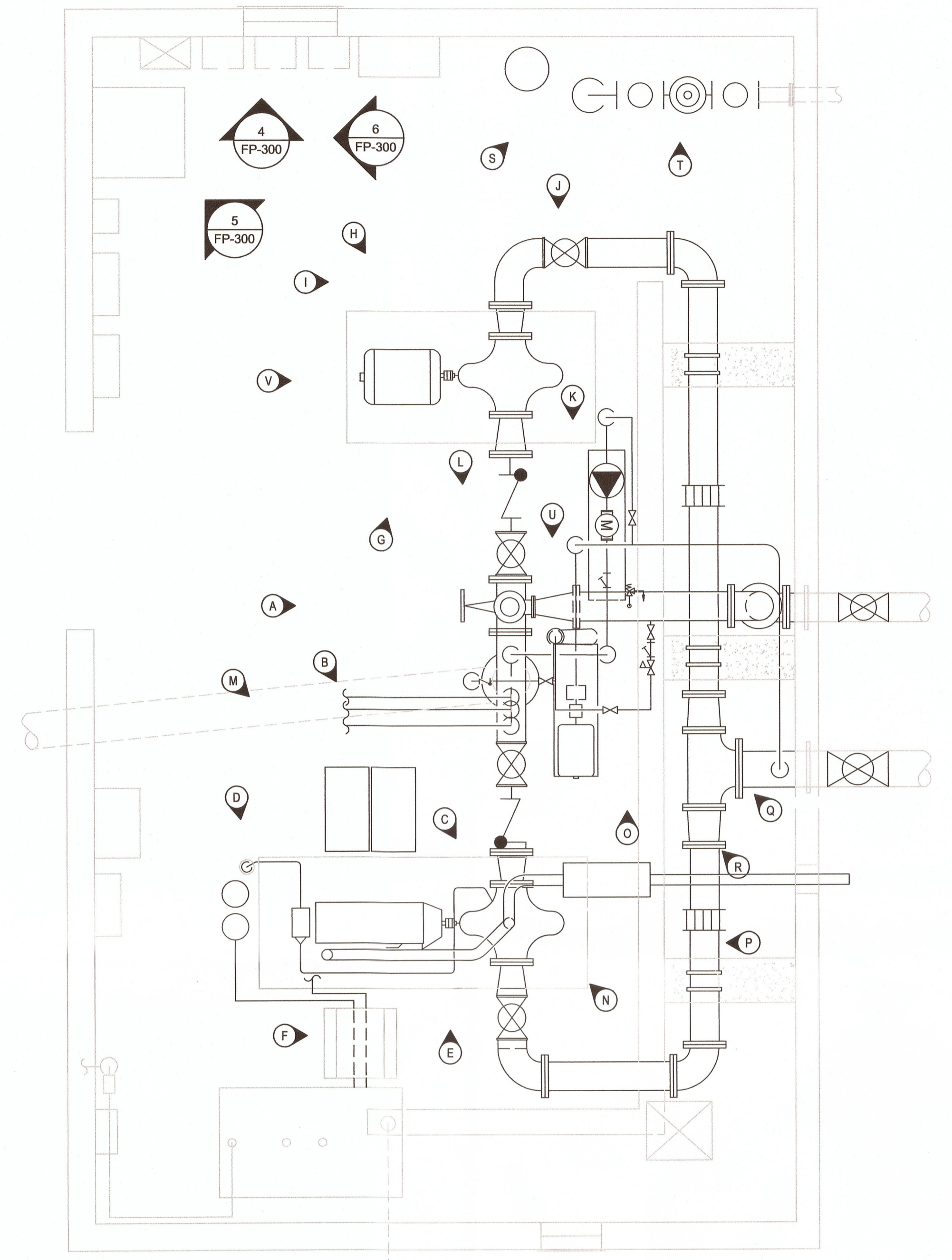
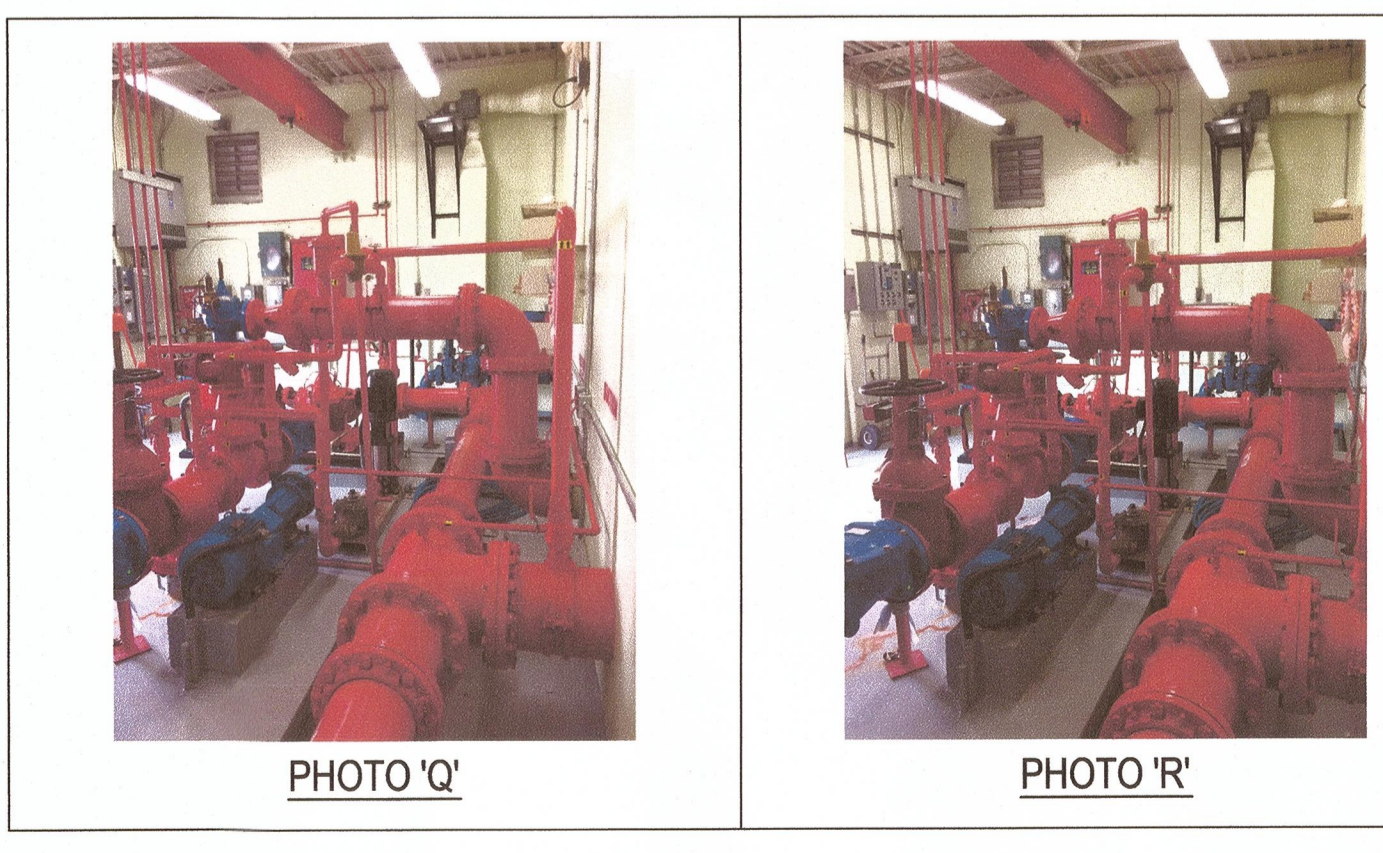


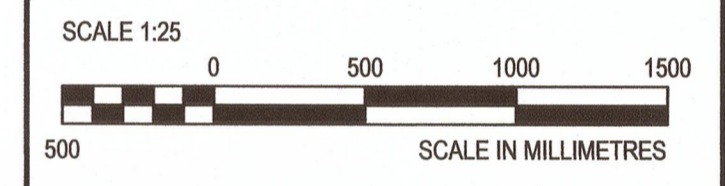
PHOTO LEGEND
1
PUMP HOUSE PIPING - EXISTING
 FP-100 SCALE 1:25





WSP Project # 151-05897-04

July 06/2017
 M. M. DEAN
 M. M. DEAN
 M. M. DEAN



Revision/Édition	Description/Description	Date/Date
5		
4		
3	ISSUED FOR TENDER	2017/07/04
2	ISSUED FOR 100% REVIEW	2017/06/12
1	ISSUED FOR 90% REVIEW	2017/05/09
0	ISSUED FOR 60% REVIEW & COSTING	2017/04/11

WILLIAM HEAD INSTITUTION
 6000 William Head Rd,
 Victoria, BC V9C 0B5

Project title/Titre du projet

FIRE PUMP REPLACEMENT

Consultant Signature Only
 CONSULTANT SIGNATURE ONLY

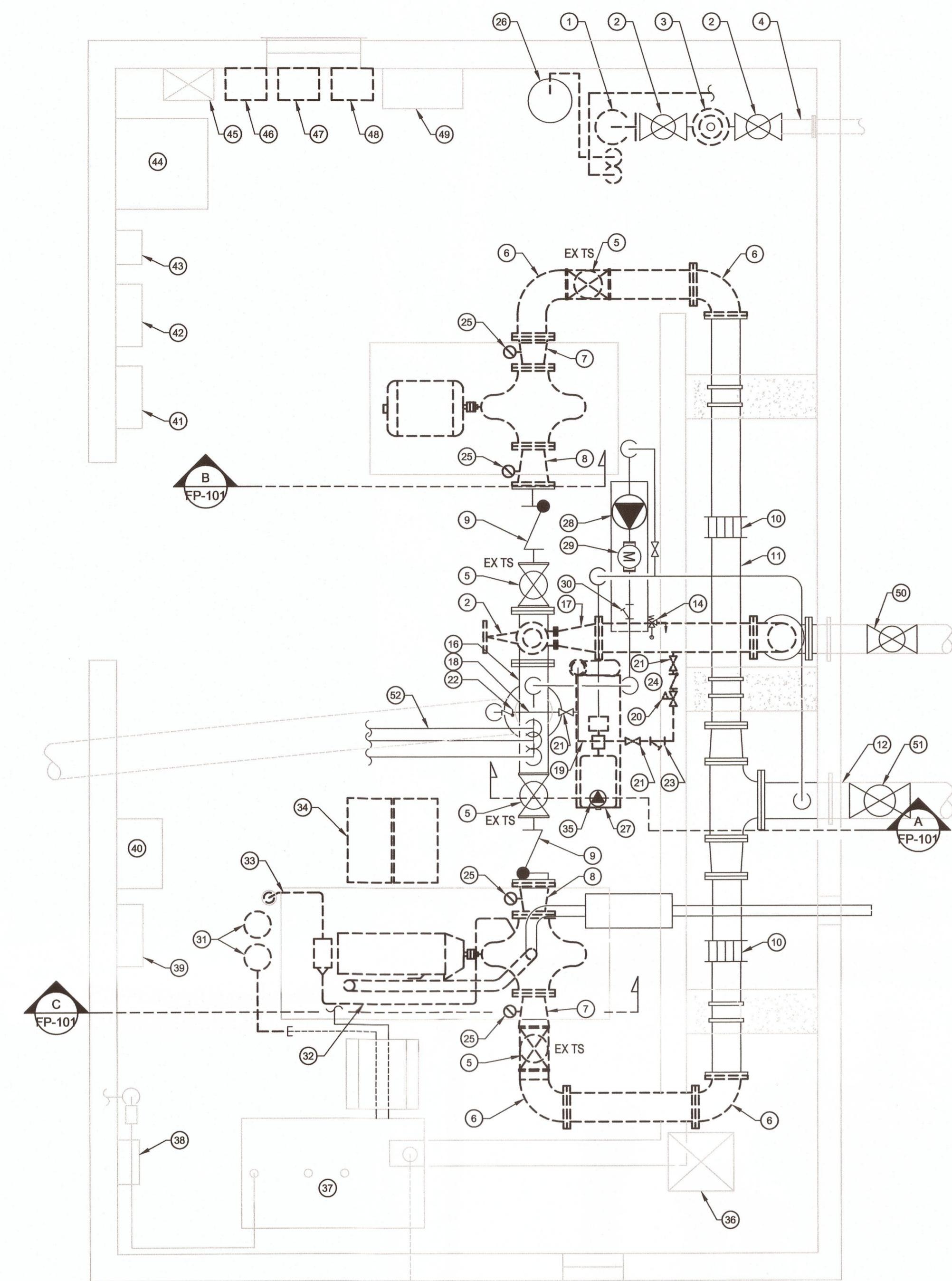
Designed by/Concept par
 MMD

Drawn by/Dessiné par
 HCP & DMM
 PWGSC Project Manager/Administrateur de Projets TPSGC
 PATRICK TRUONG

Regional Manager, Architectural and Engineering Services
 Gestionnaire régionale, Services d'architecture et de génie, TPSGC
 PREETIPAL PAUL

Drawing title/Titre du dessin
FIRE PUMP SYSTEM DEMO

Project No./No. du projet R071314.001	Sheet/Feuille FP-101	Revision no./ La Révision no. 0
---	--------------------------------	--



1 PUMP HOUSE PIPING - DEMO
 FP-101 SCALE 1:25

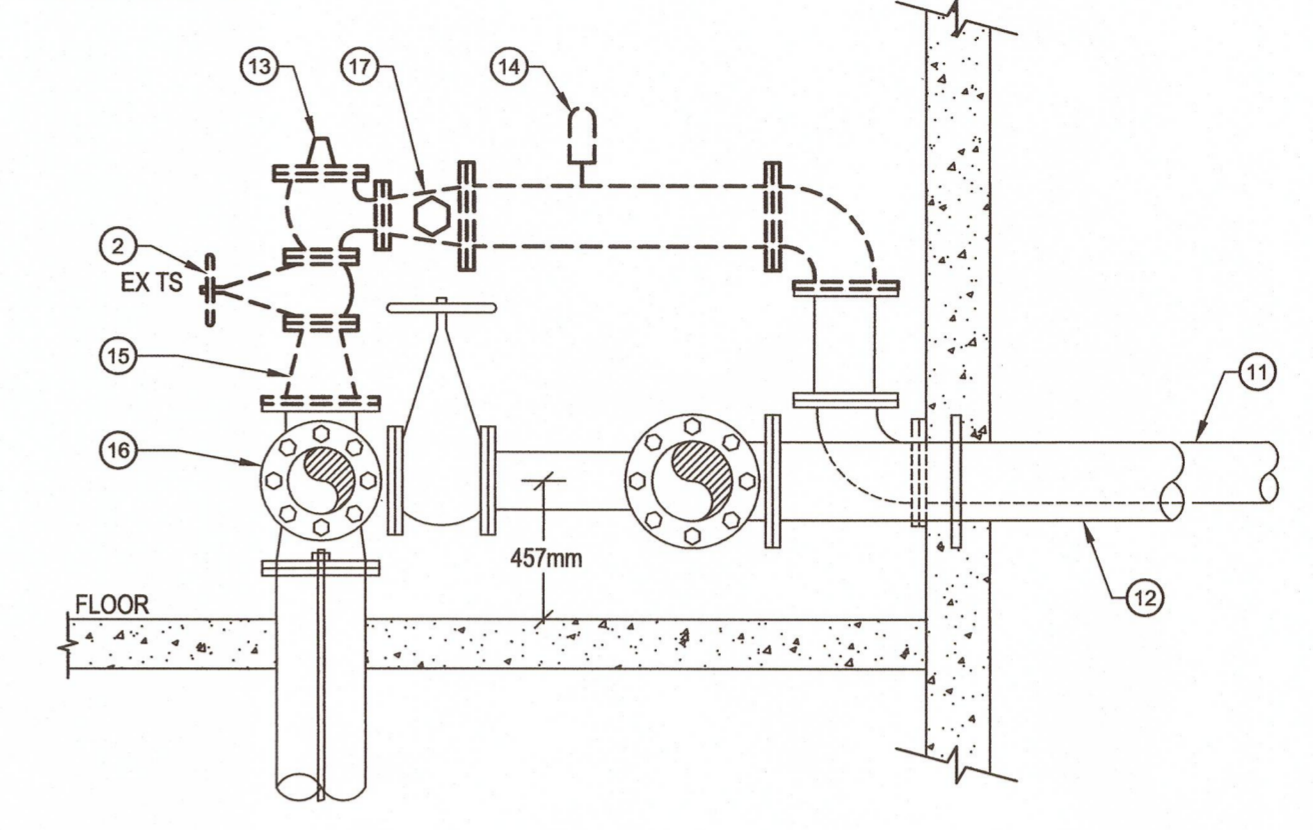
GENERAL NOTES:

- CONTRACTOR IS TO REFER TO ALL DRAWINGS AND REUSE ALL EXISTING COMPONENTS WHERE INDICATED. COMPONENTS NOT REUSED ARE TO BE DISPOSED OF.
- CONTRACTOR SHALL RETAIN THE SERVICES OF AN ELECTRICIAN TO DISCONNECT AND RECONNECT POWER CABLES SAFELY AND TO CURRENT CODES. ALL MOTOR CONNECTIONS ARE THE SAME SIZE AND NO CHANGES OTHER THAN THE EXTENSION OF POWER CABLES ARE ANTICIPATED. CONTRACTOR IS TO OBTAIN AND PAY FOR AN ELECTRICAL PERMIT AND COORDINATE WITH DEPARTMENTAL REPRESENTATIVE.
- CONTRACTOR SHALL RETAIN THE SERVICES OF A CERTIFIED FIRE ALARM COMPANY TO REMOVE ONE EXISTING HEAT DETECTOR AND WIRING BACK TO PANEL AFTER THE WET FIRE SPRINKLER SYSTEM IS INSTALLED AND VERIFIED OPERATIONAL.

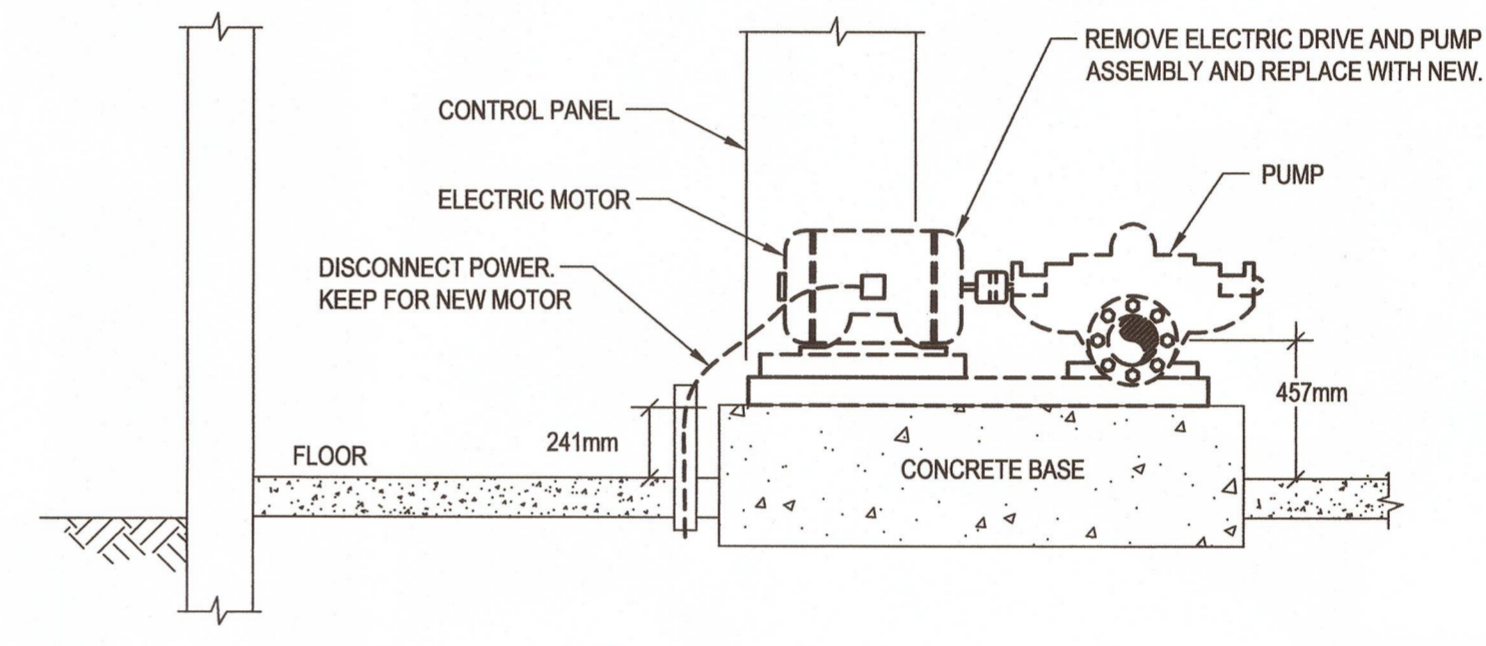
DRAWING NOTES:

- 100 DIA. 90° ELBOW F X F. TO BE REMOVED. REMOVE DCW PIPING AWAY FROM AREA OF NEW WORK TO ALLOW FOR TAPPING INTO NEW FIRE WATER ENTRY TEE. REFER TO 2/FP102.
- 100 GATE VALVE F X F. REMOVE WHERE INDICATED. SALVAGE FOR REUSE.
- 100 ALTITUDE VALVE. REMOVE FOR REPLACEMENT.
- 100 DIA. CAST IRON PIPE.
- 200 GATE VALVE F X F. REMOVE WHERE INDICATED. SALVAGE FOR REUSE.
- 200 DIA. 90° ELBOW F X F. REMOVE AS INDICATED. SALVAGE FOR REUSE.
- 200 X 150 DIA. CAST IRON ECCENTRIC REDUCER F X F. REMOVE AS INDICATED. SALVAGE FOR REUSE.
- 200 X 125 DIA. CAST IRON CONCENTRIC REDUCER F X F. REMOVE AS INDICATED. SALVAGE FOR REUSE.
- 200 CHECK VALVE F X F.
- STRAIGHT COUPLING FOR 200 DIA. CAST IRON PIPE
- 200 DIA. CAST IRON PIPE. RELIEF BACK TO RESERVOIR.
- 250 DIA. CAST IRON PIPE. SUPPLY FROM RESERVOIR.
- PRESSURE RELIEF VALVE 100 DIA. PIPE. REMOVE AS INDICATED. SALVAGE FOR REUSE.
- 25 DIA. PIPE TAP AIR RELEASE VALVE. REMOVE AS INDICATED. SALVAGE FOR REUSE.
- 200 X 100 DIA. CAST IRON CONCENTRIC REDUCER. REMOVE AS INDICATED. SALVAGE FOR REUSE.
- 200 X 200 X 250 DIA. F X F X F CAST IRON TEE.
- ENCLOSED CONE F X F. REMOVE AS INDICATED.
- 50 DIA. HOT DIPPED GALVANIZED PIPE.
- 30 DIA. BYPASS LINE
- P.R.V. TO RELIEVE AT 75 PSIG. ±. REMOVE AS INDICATED. SALVAGE FOR REUSE.
- 50 DIA. SHUT-OFF VALVE. REMOVE AS INDICATED. SALVAGE FOR REUSE.
- 50 DIA. CHECK VALVE.
- 30 DIA. STRAINER. REMOVE AS INDICATED. SALVAGE FOR REUSE.
- 30 DIA. CHECK VALVE. REMOVE AS INDICATED. SALVAGE FOR REUSE.
- 90 DIA. PRESSURE GAUGE 0-160 PSIG TO BE REMOVED
- EYE WASH STATION
- JOCKEY PUMP TO BE REMOVED
- DOMESTIC WATER CIRC PUMP
- WATER METER
- 50 DIA. STRAINER
- REMOVE OIL FILTER SYSTEM AS REQUIRED TO INSTALL NEW DIESEL ENGINE. SALVAGE FOR REUSE.
- REMOVE ENGINE COOLING WATER PIPE ASSEMBLY AND SALVAGE FOR RECONNECT TO NEW ENGINE ASSEMBLY.
- REMOVE ENGINE DISCHARGE PIPE.
- REMOVE AND DISPOSE/ RECYCLE BATTERIES
- 208V DIRECT ELEC. POWER CONNECTION
- EXISTING DUCT TO LOW LEVEL
- EXISTING FUEL OIL SYSTEM AND TANK
- DIESEL FUEL SYSTEM CONTROL BOX
- ADDRESSABLE MIRCOP FIRE ALARM PANEL
- EXISTING DIESEL FIRE PUMP CONTROLLER
- TELECOMMUNICATIONS CABINET
- EXISTING RESERVOIR LEVEL AND RE-CIRC PUMP CONTROL PANEL
- EXISTING ELECTRICAL BREAKER SWITCH
- EXISTING TRANSFORMER
- EXISTING JOCKEY PUMP CONTROLLER.
- EXISTING BOOSTER PUMP 600V 30A BREAKER TO BE REMOVED.
- EXISTING TRANSFORMER 600V 60A BREAKER TO BE REMOVED.
- EXISTING CAPACITOR DISCONNECT TO BE REMOVED.
- EXISTING ELECTRIC FIRE PUMP CONTROLLER
- EXISTING EXTERIOR RESERVOIR RELIEF MAIN SHUT-OFF VALVE
- EXISTING EXTERIOR RESERVOIR SUPPLY MAIN SHUT-OFF VALVE
- PNEUMATIC PRESSURE PIPING TO FIRE PUMP AND JOCKEY PUMP CONTROLLERS.

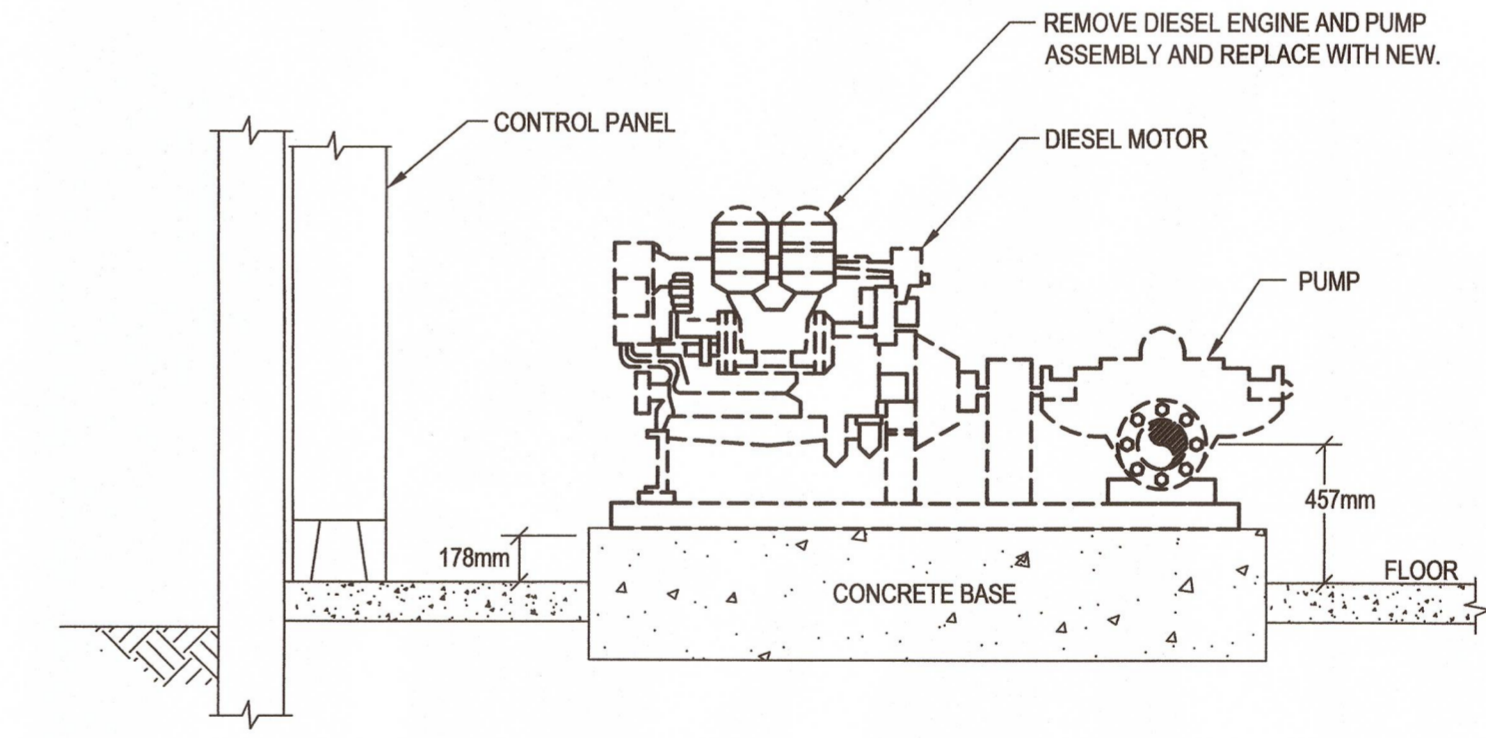
REMOVE ASSEMBLY FOR RELOCATION.
 REFER TO AFP-102.



A SECTION
 FP-101 SCALE 1:25



B SECTION
 FP-101 SCALE 1:25



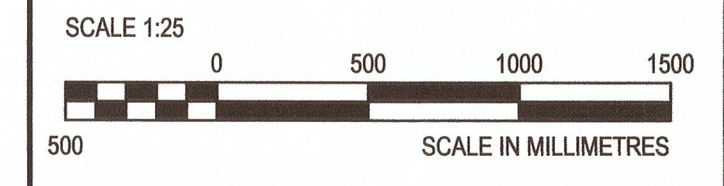
C SECTION
 FP-101 SCALE 1:25





WSP Project # 151-05897-04

July 2017
 PROJECT OF
 M. M. DEAN
 ENGINEER
 (Professional Seal)



Revision/Édition	Description/Description	Date/Date
5		
4		
3	ISSUED FOR TENDER	2017/07/06
2	ISSUED FOR 100% REVIEW	2017/06/12
1	ISSUED FOR 95% REVIEW	2017/05/09
0	ISSUED FOR 65% REVIEW & COSTING	2017/04/11

WILLIAM HEAD INSTITUTION
 6000 William Head Rd,
 Victoria, BC V9C 0B5

Project title/Titre du projet

FIRE PUMP REPLACEMENT

Consultant Signature Only
CONSULTANT SIGNATURE ONLY

Designed by/Concept par
 MMD

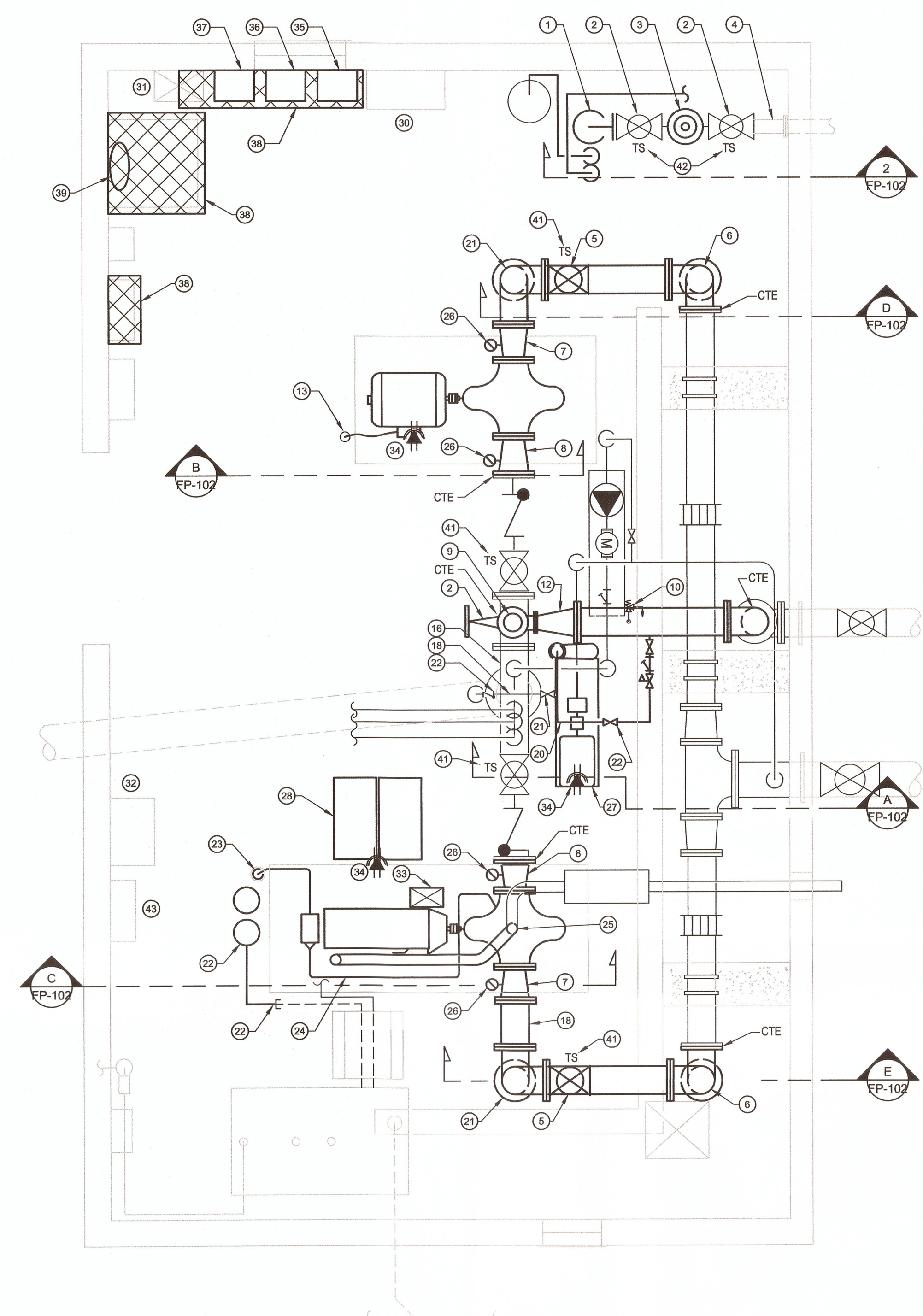
Drawn by/Dessiné par
 HCP & DMM

PWOSC Project Manager/Administrateur de Projets TPSGC
PATRICK TRUONG

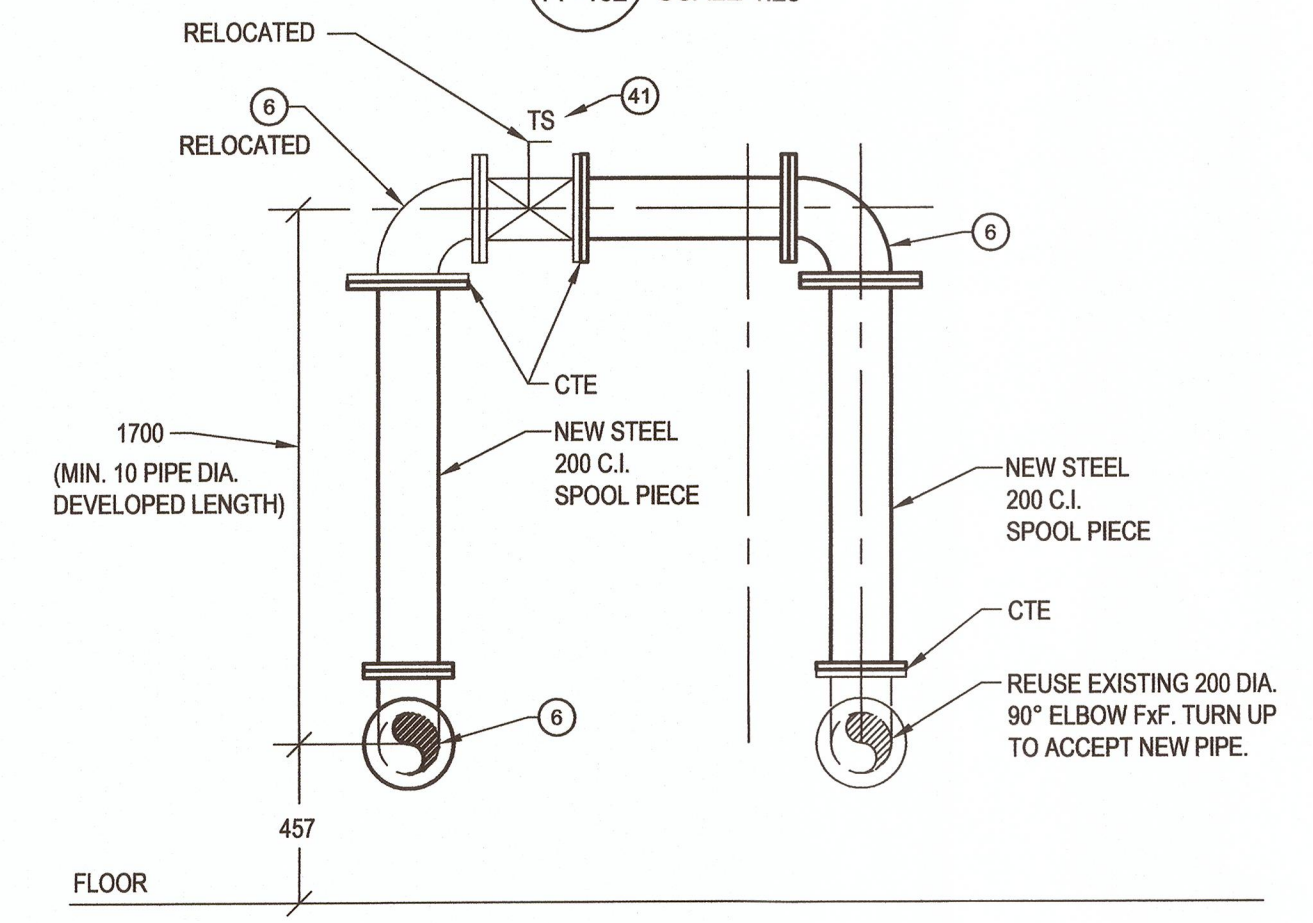
Regional Manager, Architectural and Engineering Services,
 Gestionnaire régionale, Services d'architectural et de génie, TPSGC
PREETIPAL PAUL

Drawing title/Titre du dessin
FIRE PUMP SYSTEM NEW

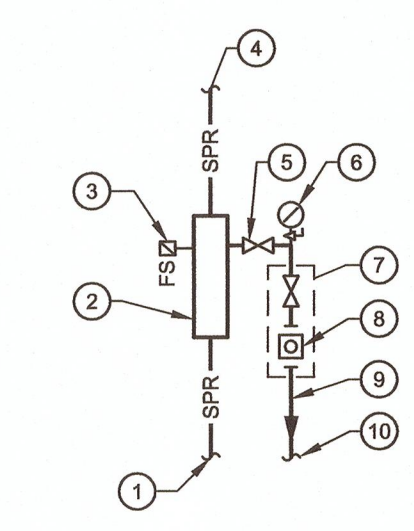
Project No./No. du projet	Sheet/Failla	Revision no./La Révision no.
R071314.001	FP-102	0



1 PUMP HOUSE PIPING - NEW
 FP-102 SCALE 1:25



D/E SECTION
 FP-102 SCALE: NTS



3 TYPICAL WET ZONE VALVE ALARM STATION
 FP-102 SCALE: NTS

GENERAL NOTES:

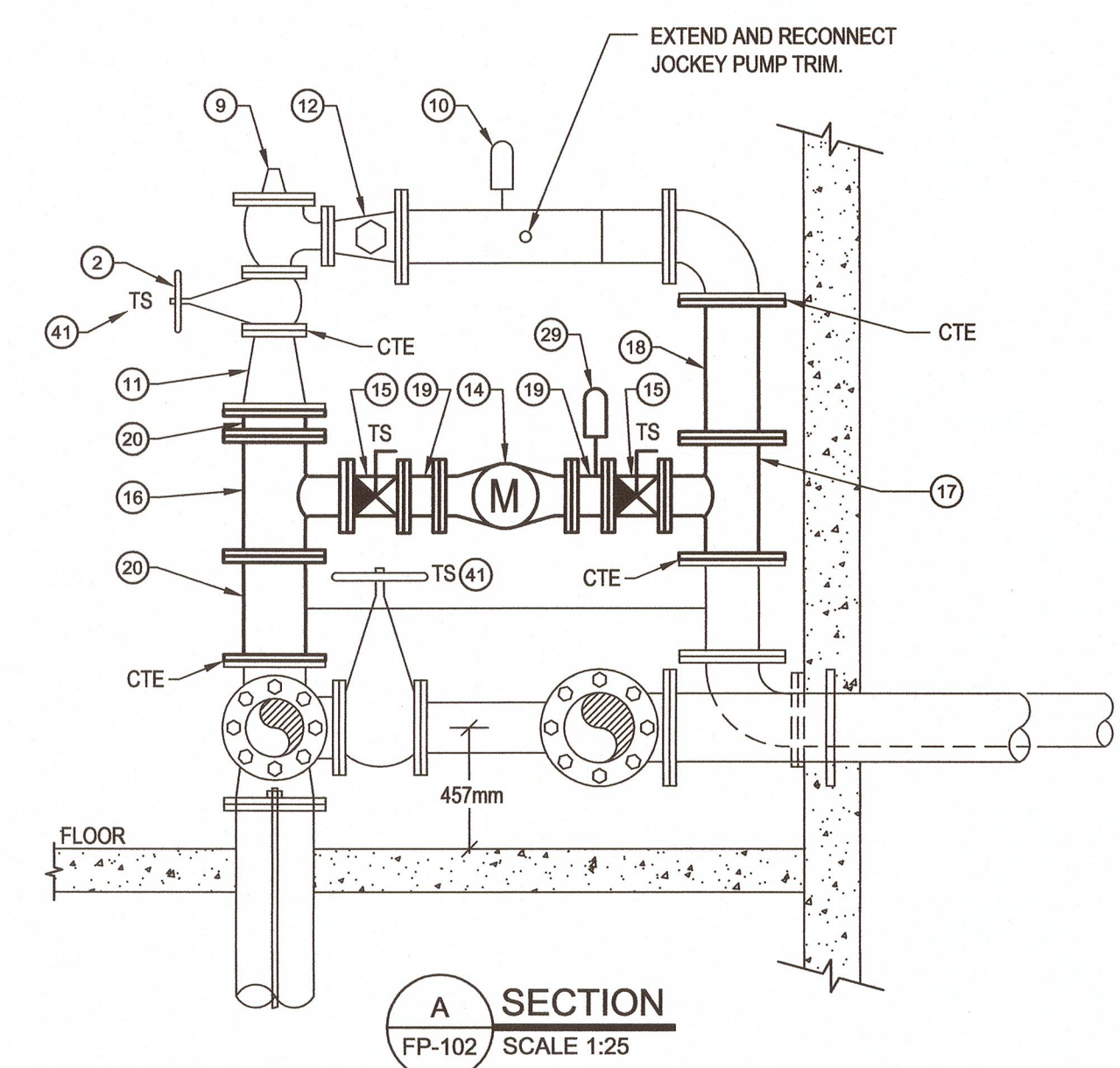
- CONTRACTOR IS RESPONSIBLE FOR SITE MEASURING ALL PIPE LENGTHS REQUIRED FOR FABRICATION OF PIPING SPOOL LENGTHS ETC. TO MAKE A COMPLETE AND FUNCTIONING SYSTEM.
- CONTRACTOR SHALL RETAIN THE SERVICES OF AN ELECTRICIAN TO DISCONNECT AND RECONNECT POWER CABLES SAFELY AND TO CURRENT CODES. ALL MOTOR CONNECTIONS ARE THE SAME SIZE AND NO CHANGES OTHER THAN THE EXTENSION OF POWER CABLES ARE ANTICIPATED. CONTRACTOR IS TO OBTAIN AND PAY FOR AN ELECTRICAL PERMIT AND COORDINATE WITH DEPARTMENTAL REPRESENTATIVE.
- CONTRACTOR SHALL RETAIN THE SERVICES OF A CERTIFIED FIRE ALARM COMPANY TO VERIFY ALL EXISTING AND NEW FIRE PUMP SYSTEMS, EXISTING FLOWS AND TAMPERS IN STAGES AFTER EACH FIRE PUMP AND PUMP HOUSE TAMPERS AND FLOW SWITCHES ARE COMMISSIONED AND OPERABLE. COORDINATE ALL VERIFICATIONS AND SHUTDOWNS WITH WHI STAFF AND DEPARTMENTAL REPRESENTATIVE. CONTRACTOR IS TO UNDERSTAND THAT THEIR ARE TWO FIRE ALARM PANELS TO VERIFY, ONE MIRCOM PANEL IN THE PUMP HOUSE AND ANOTHER FIRE ALARM PANEL IN THE SITE CONTROL CENTRE WITHIN WHI.

DRAWING NOTES:

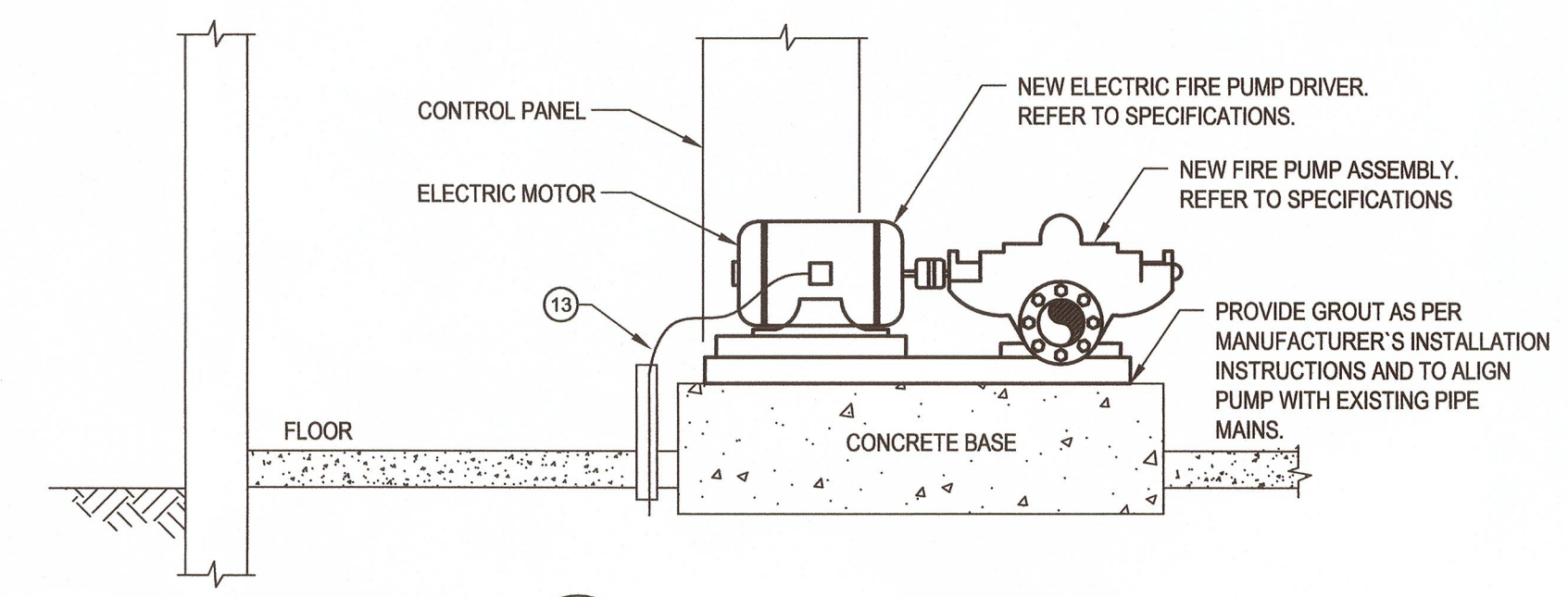
- NEW STEEL 100x100x100 DIA F x F x F TEE. TO REPLACE EXISTING ELBOW CW 25 DIA. DCW TAPPED CONNECTION.
- 100 GATE VALVE F x F. ADD TS TO VALVE STEM.
- 100 ALTITUDE VALVE. TO BE REPLACED WITH NEW. REFER TO SPECIFICATION AND SCHEMATIC 3/FP-300.
- 100 DIA. CAST IRON PIPE.
- 200 GATE VALVE F x F. RELOCATE EXISTING AS INDICATED.
- 200 DIA. 90° ELBOW F x F. NEW STEEL & RELOCATED CAST IRON AS INDICATED.
- 200 x 150 DIA. CAST IRON ECCENTRIC REDUCER F x F. REUSE EXISTING.
- 200 x 125 DIA. CAST IRON CONCENTRIC REDUCER F x F. REUSE EXISTING
- PRESSURE RELIEF VALVE 100 DIA. PIPE. RELOCATE EXISTING AS INDICATED.
- 25 DIA. PIPE TAP AIR RELEASE VALVE. RELOCATE EXISTING AS INDICATED. EXTEND DRAIN INTO TRENCH DRAIN.
- 200 x 100 DIA. CAST IRON CONCENTRIC REDUCER. RELOCATE EXISTING AS INDICATED.
- ENCLOSED CONE F x F. RELOCATE EXISTING AS INDICATED.
- CONNECT NEW FIRE PUMP POWER TO EXISTING.
- NEW STEEL 150 DIA. VENTURI FLOW METER Fx F.
- NEW STEEL 150 DIA. BUTTERFLY VALVE CW TS. Fx F.
- NEW STEEL 200x200x150 DIA. Fx Fx F TEE.
- NEW STEEL 200x200x150 DIA. Fx Fx F TEE.
- NEW STEEL 200 DIA. PIPE. Fx F.
- NEW STEEL 150 DIA. PIPE. Fx F.
- NEW STEEL 200 DIA. PIPE. Fx F.
- NEW STEEL 200 DIA. LONG RADIUS 90° ELBOW UP. Fx F.
- RECONNECT EXISTING OIL FILTER SYSTEM TO NEW DIESEL ENGINE.
- DISCHARGE NEW DIESEL ENGINE 50 DIA. WATER TO FUNNEL DRAIN.
- RECONNECT EXISTING COOLING SYSTEM PIPING TO NEW DIESEL ENGINE SET.
- EXTEND EXISTING 100 DIA. MUFFLER PIPE OVER TO ENGINE EXHAUST AND CONNECT.
- 90 DIA. PRESSURE GAUGE 0-160 PSIG. RELOCATE EXISTING AS INDICATED.
- NEW JOCKEY PUMP. CONNECT TO EXISTING PIPES, POWER & CONTROLLER.
- NEW DIESEL GENSET BATTERIES. CONNECT TO NEW ENGINE PER MANUFACTURERS INSTRUCTION.
- NEW 25 DIA. PIPE TAP AIR RELEASE VALVE. PIPE INTO TRENCH DRAIN BELOW.
- EXISTING ELECTRIC FIRE PUMP CONTROLLER
- EXISTING JOCKEY PUMP CONTROLLER
- EXISTING DIESEL FIRE PUMP CONTROLLER
- BATTERY CHARGER TO BE SUPPLIED WITH ENGINE ON SIDE. NEXT TO POWER CONNECTION.
- 208V DIRECT CONNECTION
- NEW WATERTIGHT NEMA 3R CAPACITOR DISCONNECT. REFER TO 4/FP-300.
- NEW WATERTIGHT NEMA 3R TRANSFORMER 600V 60A BREAKER. REFER TO 4/FP-300.
- NEW WATERTIGHT NEMA 3R BOOSTER PUMP 600V 30A BREAKER. REFER TO 4/FP-300.
- PROVIDE WATER PROOF SHROUD TO PROTECT ELECTRICAL EQUIPMENT BELOW. REFER TO FP-300.
- PROVIDE NEW WATER PROOF FITTINGS AT TOP OF ELECTRICAL PANEL BELOW. REFER TO 5/FP-300.
- SPRINKLER WALL ABOVE. NO HEAD TO SPRAY AT LESS THAN 45° TO FACE OF UNIT. REFER TO 6/FP-300.
- EXISTING TAMPER SWITCH ON VALVES TO BE WIRED TO PANEL AND TESTED. TYPICAL x5.
- PROVIDE TS ON VALVE STEM, WIRE TO PANEL AND TEST. TYPICAL X.2.
- ADDRESSABLE MIRCOM FIRE ALARM PANEL. TO BE USED FOR ALL TAMPER AND FLOW SWITCH MONITORING.

DETAIL 3/FP-102 NOTES:

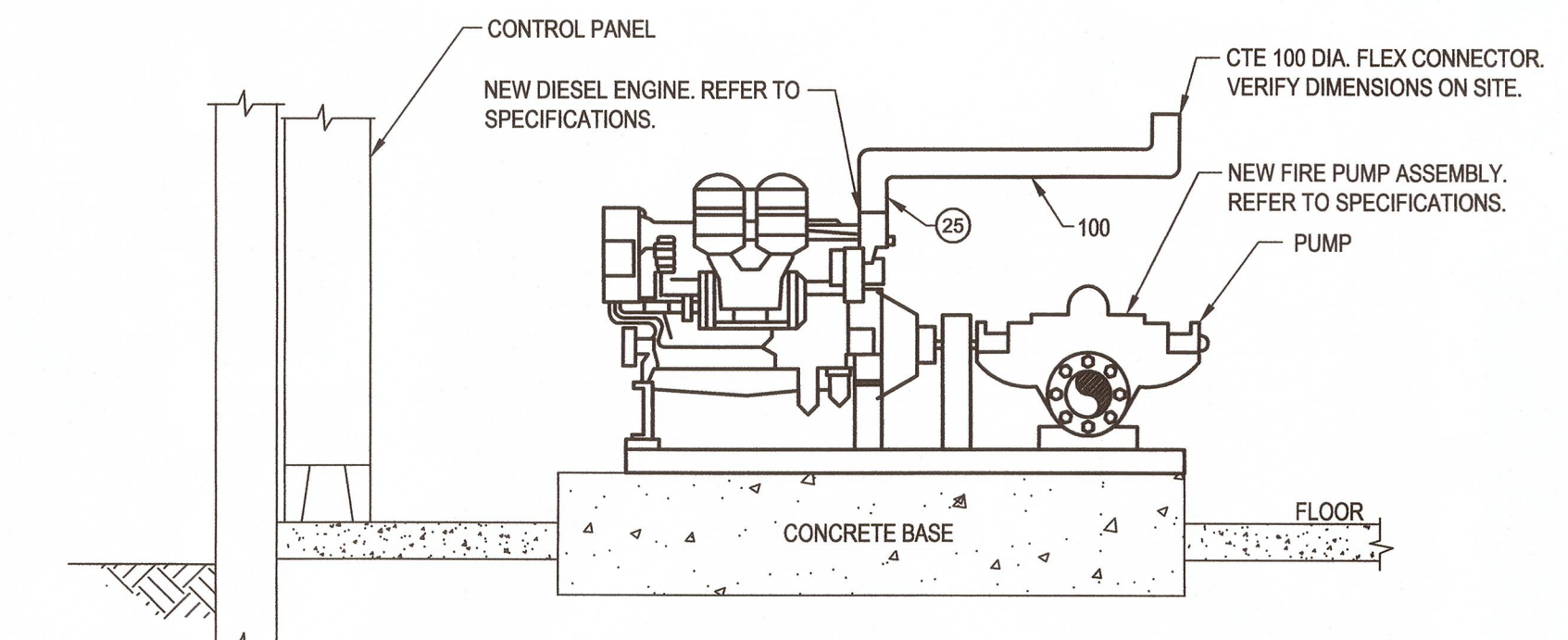
- WET FIRE WATER SUPPLY PIPE
- ZONE VALVE MANIFOLD
- FLOW SWITCH
- TO WET SPRINKLER SYSTEM
- DRAIN VALVE (N.O.)
- PRESSURE GAUGE W/ STOP
- INSPECTOR'S TEST & DRAIN ASSEMBLY SIZED TO NFPA 13 (N.O.)
- SITE PORT
- DRAIN SIZED TO MANIFOLD
- PIPE TO DRAIN.



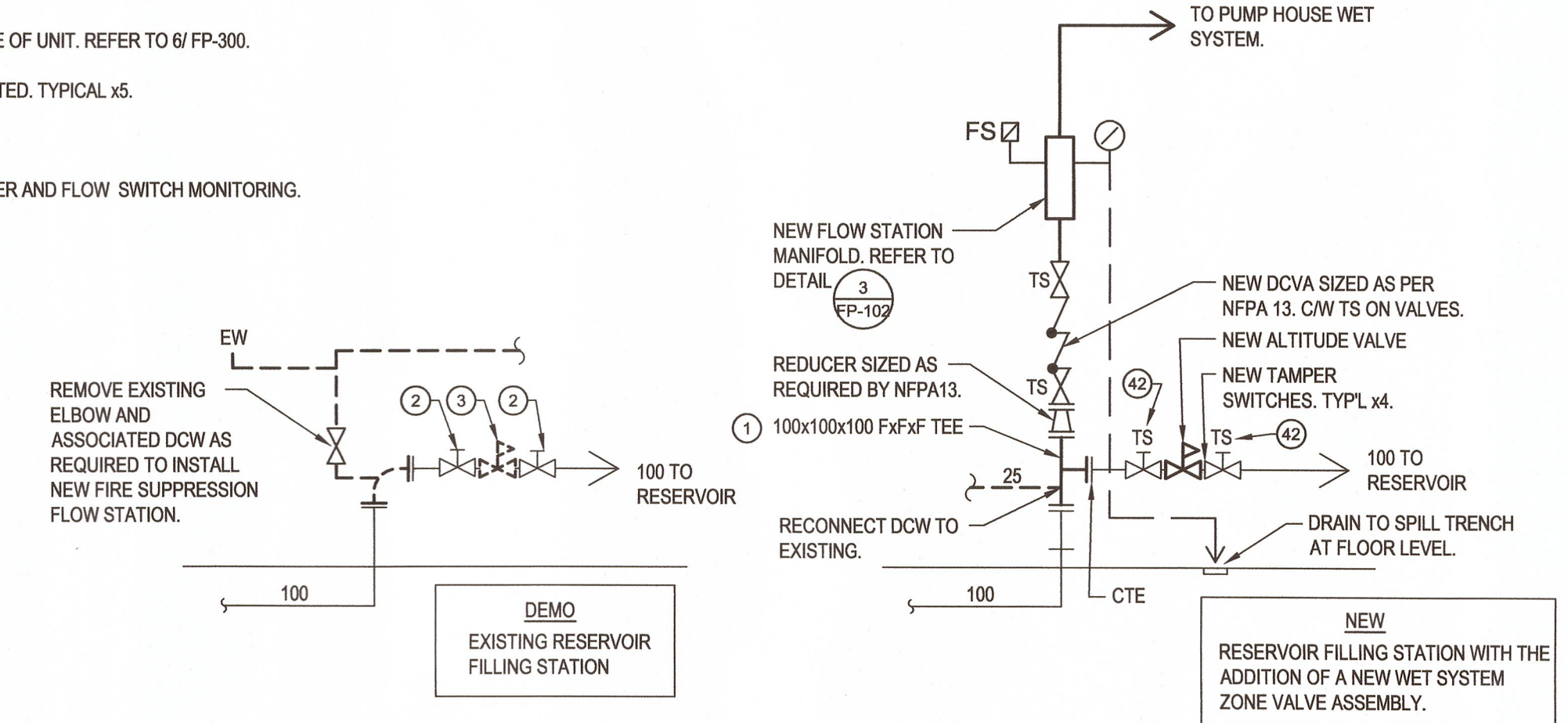
A SECTION
 FP-102 SCALE 1:25



B SECTION
 FP-102 SCALE 1:25



C SECTION
 FP-102 SCALE 1:25

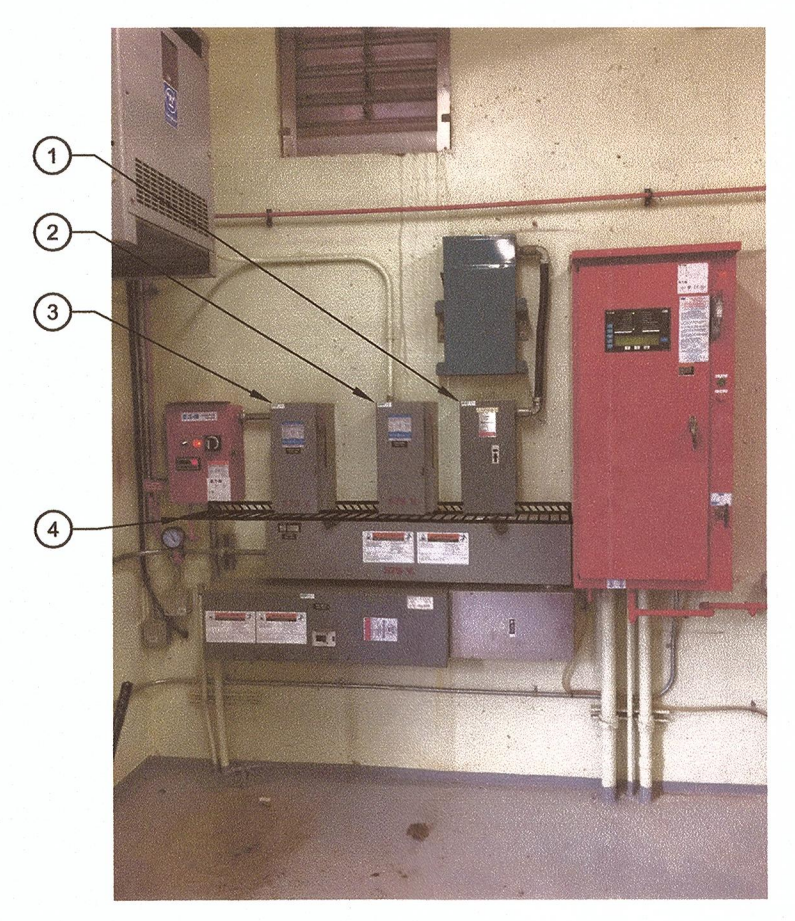
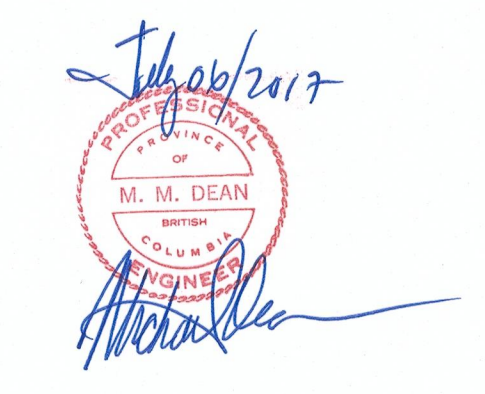


2 FIRE WATER ENTRY SCHEMATIC
 FP-102 SCALE: NTS

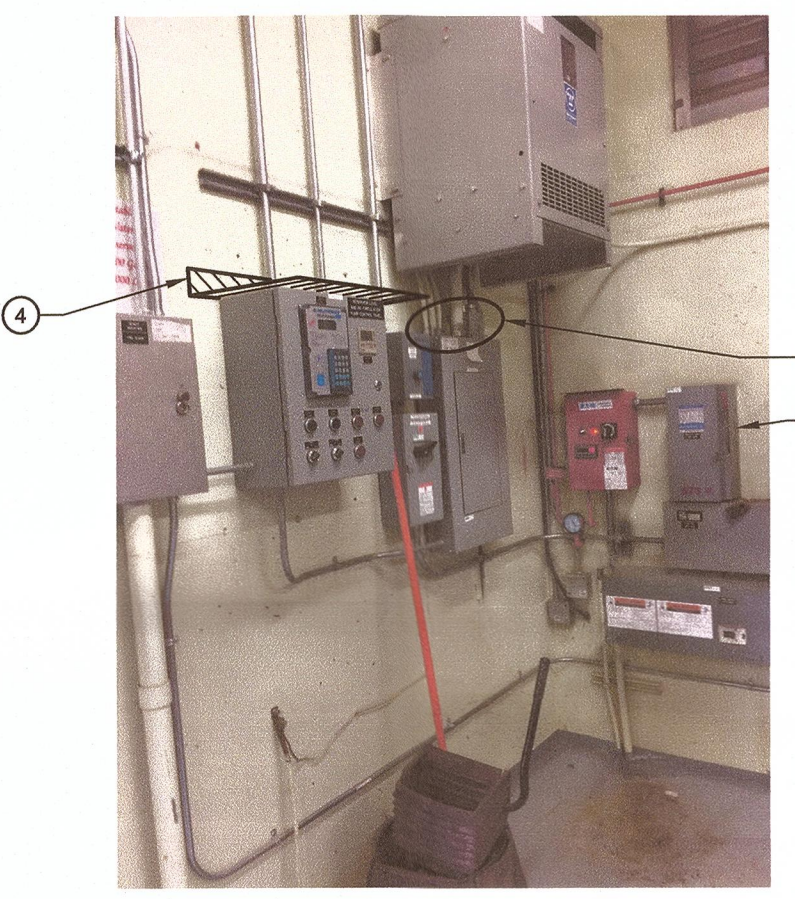




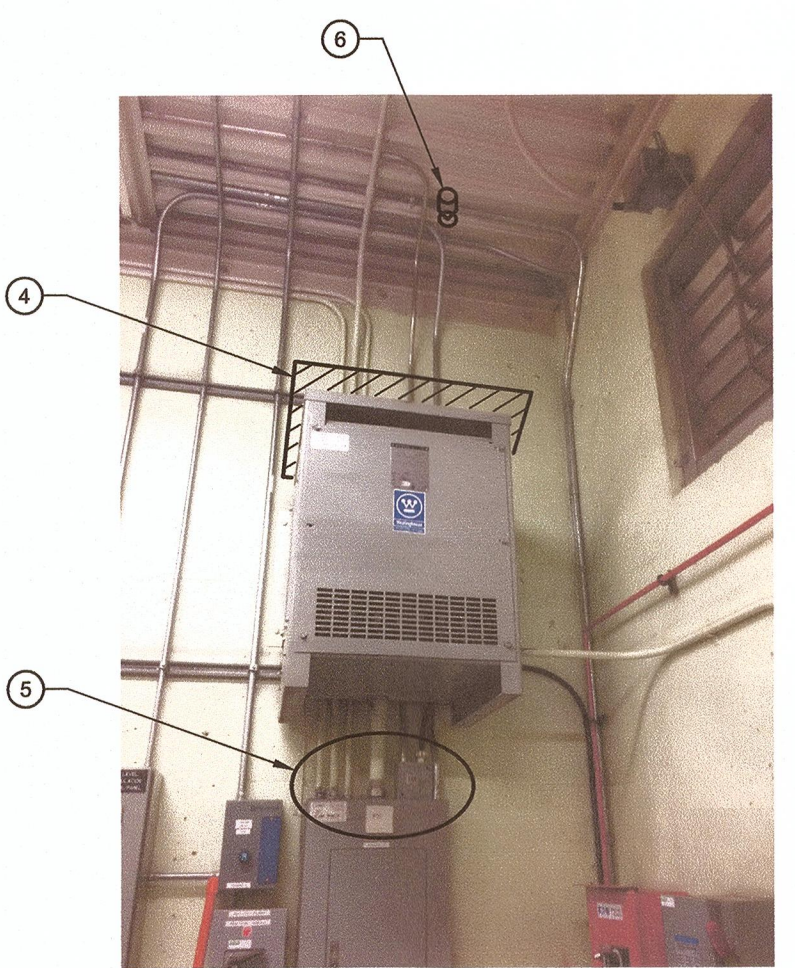
WSP Project # 151-05897-04



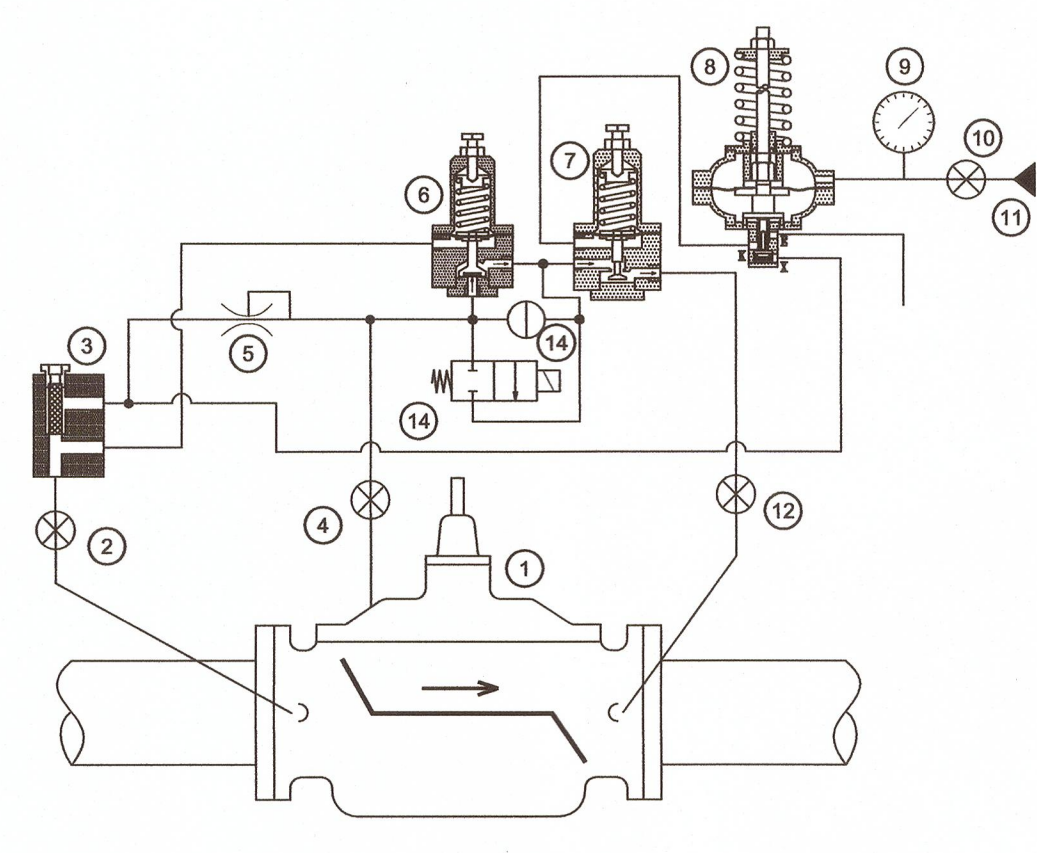
4 ELECTRICAL EQUIPMENT PROTECTION
FP-300 SCALE N.T.S



5 ELECTRICAL EQUIPMENT PROTECTION
FP-300 SCALE N.T.S



6 ELECTRICAL EQUIPMENT PROTECTION
FP-300 SCALE N.T.S



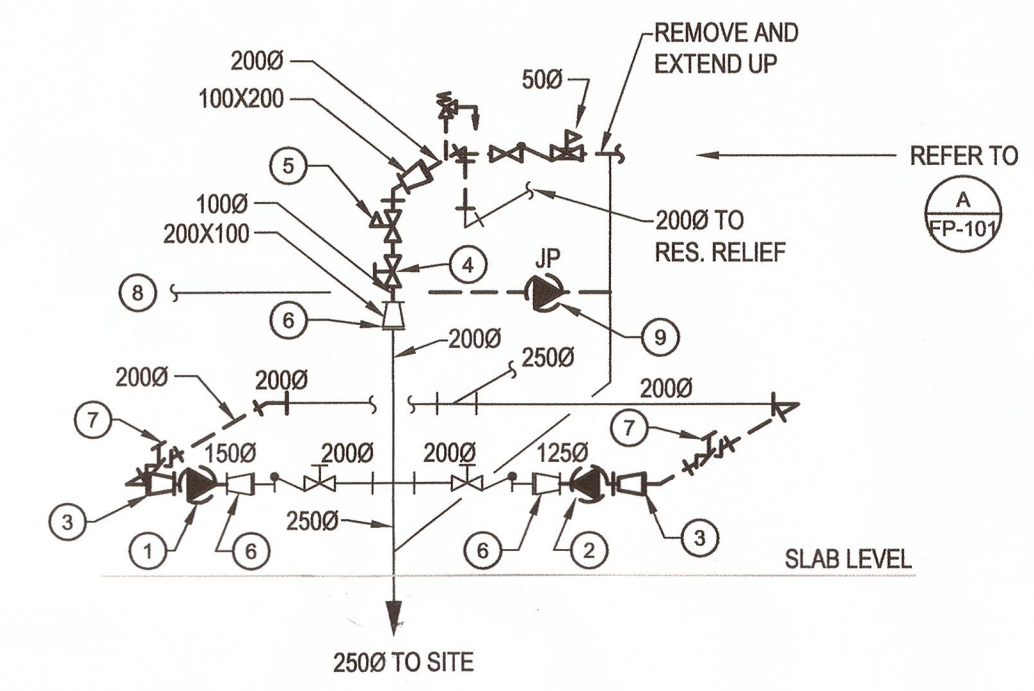
3 ALTITUDE VALVE SCHEMATIC
FP-300 SCALE N.T.S

3/FP-300 NOTES:

- 1 NEW MAIN VALVE CW POSITION INDICATOR
- 2 NEW ISOLATING VALVE
- 3 NEW STRAINER - 40 MESH
- 4 NEW ISOLATING VALVE
- 5 NEW SPEED CONTROL
- 6 NEW PRESSURE SUSTAINING PILOT
- 7 NEW NORMALLY OPEN PILOT
- 8 NEW ALTITUDE PILOT
- 9 NEW ALTITUDE GAUGE
- 10 NEW ISOLATING VALVE
- 11 NEW SENSING CONNECTION TO RESERVOIR
- 12 NEW ISOLATING VALVE
- 13 TWO-WAY SOLENOID Vv. - REUSE EXISTING
- 14 NEW MANUAL OVERRIDE

3/FP-300 GENERAL NOTES:

- 1. PROVIDE ALTITUDE VALVE WITH PRESSURE SUSTAINING FUNCTION WITH SOLENOID AND MANUAL OVERRIDE. REFER TO SPECIFICATION.



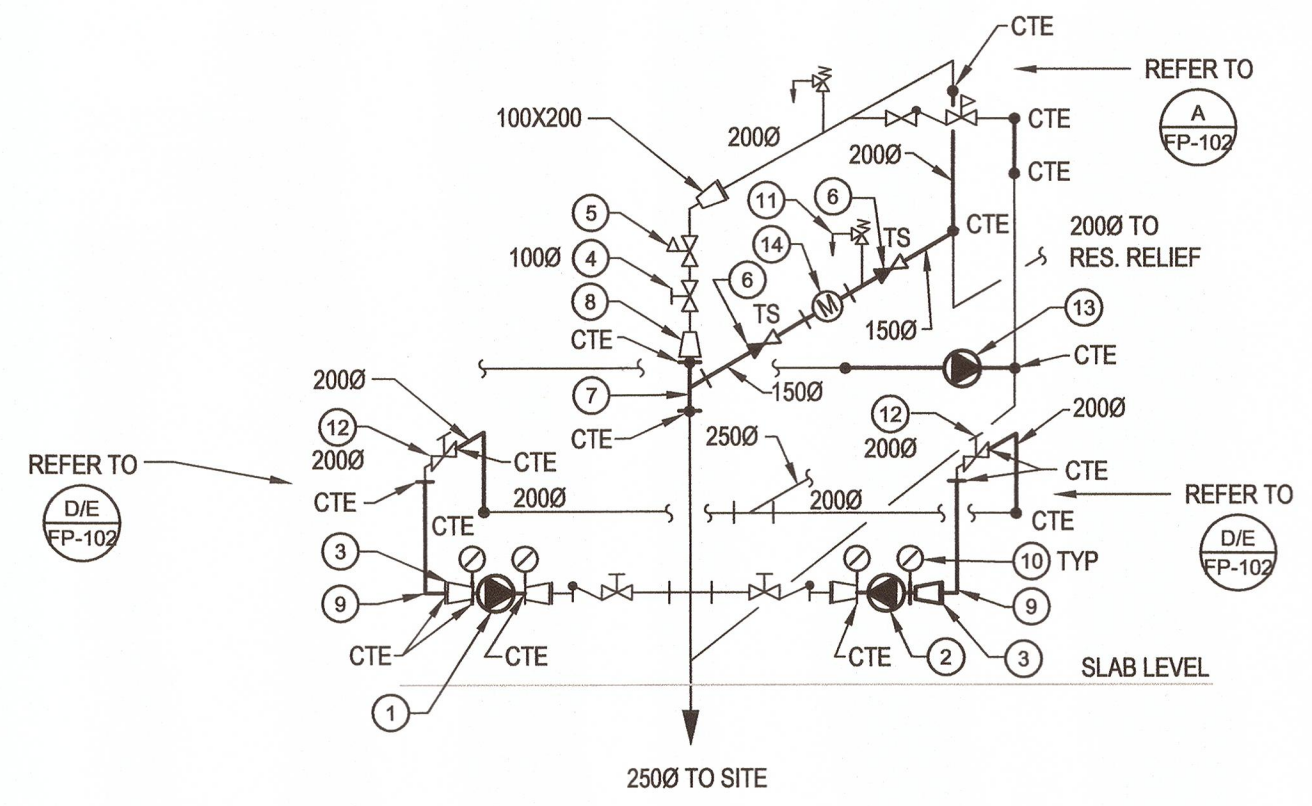
2 FIRE PUMP SYSTEM PIPING SCHEMATIC DEMO
FP-300 SCALE N.T.S

2/FP-300 NOTES:

- REMOVE
- EXISTING
- 1 ELECTRIC FIRE PUMP ASSEMBLY TO BE REMOVED.
- 2 DIESEL FIRE PUMP ASSEMBLY TO BE REMOVED
- 3 ECCENTRIC REDUCER
- 4 100 GATE VALVE. Re & Re.
- 5 100 PRESSURE RELIEF VALVE. Re & Re.
- 6 CONCENTRIC REDUCER
- 7 200 GATE VALVE. Re & Re.
- 8 FROM RESERVOIR SUPPLY
- 9 JOCKEY PUMP TO BE REMOVED.

2/FP-300 GENERAL NOTES:

- 1. REMOVE EXISTING PIPING AND VALVES AS INDICATED AND SALVAGE FOR REUSE.



1 FIRE PUMP SYSTEM PIPING SCHEMATIC NEW
FP-300 SCALE N.T.S

1/FP-300 NOTES:

- NEW
- EXISTING AND/OR RELOCATED.
- 1 NEW ELECTRIC FIRE PUMP ASSEMBLY
- 2 NEW DIESEL FIRE PUMP ASSEMBLY
- 3 REUSE ECCENTRIC REDUCER
- 4 REUSE 100 GATE VALVE
- 5 REUSE 100 PRESSURE RELIEF VALVE
- 6 NEW 150 BUTTERFLY VALVE CW TS.
- 7 NEW 200x200x150 TEE - FxXF
- 8 REUSE 200 x 100 DIA. CAST IRON CONCENTRIC REDUCER.
- 9 NEW 200 DIA. LONG RADIUS 90° ELBOW
- 10 REUSE 90 DIA PRESSURE GAUGE
- 11 NEW 25 DIA. PIPE TAP AIR RELEASE VALVE. PIPE TO TRENCH DRAIN.
- 12 REUSE 200 GATE VALVE
- 13 NEW JOCKEY PUMP. RECONNECT TO EXISTING.
- 14 NEW STEEL 150 DIA. VENTURI FLOW METER FxX.

1/FP-300 GENERAL NOTES:

- 1. REPLACE EXISTING FIRE PUMPS WITH NEW ELECTRIC AND DIESEL ASSEMBLIES. CONNECT TO EXISTING SERVICES. RE-USE EXISTING HOUSEKEEPING PADS. PROVIDE NEW GROUT BETWEEN FIRE PUMP DRIVER SKIDS AND PAD TO ALIGN WITH EXISTING PIPE MAINS.

Revision/Édition	Description/Description	Date/Date
5		
4		
3	ISSUED FOR TENDER	2017/07/04
2	ISSUED FOR 100% REVIEW	2017/06/12
1	ISSUED FOR 95% REVIEW	2017/05/09
0	ISSUED FOR 65% REVIEW & COSTING	2017/04/11

WILLIAM HEAD INSTITUTION
6000 William Head Rd,
Victoria, BC V9C 0B5

Project title/Titre du projet
FIRE PUMP REPLACEMENT

Consultant Signature Only
CONSULTANT SIGNATURE ONLY
Designed by/Concept par
MMD
Drawn by/Dessiné par
HCP & DMM
PWSC Project Manager/Administrateur de Projets TPSGC
PATRICK TRUONG
Regional Manager, Architectural and Engineering Services
Gestionnaire régionale, Services d'architecture et de génie, TPSGC
PREETIPAL PAUL

Drawing title/Titre du dessin
DETAILS - SCHEMATICS AND ELECTRICAL EQUIPMENT PROTECTION

Project No./No. du projet R071314.001	Sheet/Feuille FP-300 5 OF 5	Revision no./La Révision no. 0
---	--	--

