

ADDENDUM #7

Date: Aug.4, 2017

PACIFIC REGION
IMMIGRATION HOLDING CENTRE (IHC)
SURREY, B.C.
Project No: R.078656.001

The following revisions supersede the information contained in the original drawings and specification issued for the above named project, and shall become part thereof. No consideration will be allowed for extras due to the contractor or any subcontractor not being familiar with this Addendum.

1.0 **ARCHITECTURAL SPECIFICATIONS**

1.1 Specification Section 07 52 00 MODIFIED BITUMINOUS ROOFING MEMBRANE

Delete:

- 2.4.1 Base sheet vapour retarder: to CGSB 37-GP-56M, Styrene-Butadiene-Styrene (SBS) elastomeric polymer, prefabricated sheet, polyester reinforcement, weighing 180 g/m².
- .1 Top and bottom surfaces: sanded/thermofusible.

Add:

- 2.4.1 Base sheet vapour retarder: to CGSB 37-GP-56M, Styrene-Butadiene-Styrene (SBS) membrane, and CAN/ULC-S126, Standard Method of Test for Fire Spread Under Roof Deck Assemblies, with a tri-laminate woven polyethylene facer, weighing minimum 0.75 kg/sq m. minimum thickness of 0.8mm (30mil).
- .1 Top face : Tri-laminate woven polyethylene
- .2 Bottom face : Silicone release film
- .3 Primer & Sealant : according to manufacturer's recommendation compatible with the self- adhesive membrane.
- .4 Air Permeance : Pass ASTM E96 / E96M - 16 Standard Test Methods for Water Vapor Transmission of Materials.

1.2 Specification 00 00 10 Table of Contents, Appendix 9 Existing Site Photos

Delete:

APPENDIX 9 Existing Site Photos 31

Add:

APPENDIX 9 Existing Site Photos 32

1.3 APPENDIX 9 EXISTING SITE PHOTOS

Add:

Page 32

2.0 **STRUCTURAL ADDENDUM**

- 2.1 Refer to Structural Addendum #5 (2 pages)

3.0 **ARCHITECTURAL DRAWINGS**

- 3.1 Replace the following note in General Wall Type Notes #3 on drawing A001 with:

CHERNOFF THOMPSON ARCHITECTS

04/08/2017
Addendum #7

PROJECT NO.: R 078656.001
CTA Project #35044

ADDENDUM #7

Date: Aug. 4, 2017

PACIFIC REGION
IMMIGRATION HOLDING CENTRE (IHC)
SURREY, B.C.
Project No: R.078656.001

The following revisions supersede the information contained in the original drawings and specification issued for the above named project, and shall become part thereof. No consideration will be allowed for extras due to the contractor or any subcontractor not being familiar with this Addendum.

3. ALL REGULAR WALLS AS SHOWN IN FLOOR PLANS ARE TO BE ERECTED TO 150MM PASS SUSPENDED CEILING.

3.2 Add Drawings:

- AD104-2 Existing Level 2 Floor Plan (Demolition) - West
AD203-4 Level 1 Floor Plan (New) - West
AD204-4 Level 1 Floor Plan (New) - East

4.0 QUESTIONS

Q.1

We would appreciate if the following products would be considered as equal to the specified product, provided of course we meet all performance and construction requirements:

Specified Product Type	Specified Manufacturer	Request for Equal Manufacturer	Manufacturer Website
CRAC Unit	Data Aire	Stulz	Stulz CellAir
HRV	ALDES	Venmar CES	Venmar CES

- A.1 Alternative Product approval will only be review after award of contract.
- Q.2 As per addendum 4, the answer to question 15 only have the drawing A102, A103 and A106 which is for Level 1 and Level 3 respectively.
But furring removal requirement plans for level 2 i.e. sheet A104 and A105 are not provided.
Please clarify.
- A.2 Furring removal required for level 2 is noted in General Demolition note #2 in A104 and A105 in the "issued for tender set" or on the same drawings issued under addendum #2.
- Q.3 Item 14.3 – Can you provide a size and location for this storage cabinet?
- A.3 Overall height is 500mm / width +/- 600 mm (site confirmation of wall size)The cabinet will mount above the mop sink and will hold the chemicals needed for immediate use (not long term storage). Note also the fabrication method noted of track mounted (rolling / sliding) doors will provide a space for dissipation of any vapours / off-gassing from the chemicals.
- Q4. Item 25.1 – Can details be provided on the design of this work table? Are the drawers integral ?
Three drawers at what size?
- A.4 3 drawers to hold coffee service equipment , supplies & ingredients. *Coffee / tea / sugar & sweetener etc.*

ADDENDUM #7

Date: Aug. 4, 2017

PACIFIC REGION
IMMIGRATION HOLDING CENTRE (IHC)
SURREY, B.C.
Project No: R.078656.001

The following revisions supersede the information contained in the original drawings and specification issued for the above named project, and shall become part thereof. No consideration will be allowed for extras due to the contractor or any subcontractor not being familiar with this Addendum.

- Q.5 3.5.1 They ask to install peel and stick vapor barrier. In Addendum 5; 2.4.1.1 they deleted the peel and stick product. Can you have the intent clarified?
- A.5 Vapour Barrier specification is revised in this addendum. The Vapour barrier is to be self-adhesive type.
- Q.6 2.12.2 It specifies what screws to use for insulation fasteners. In 3.6.3.1 it describes mechanically fastening the overlay board which will also be the fasteners for the rigid insulation. Although in Section 07 21 00; 3.3.3 It specifies to Apply adhesive? In section 07 52 00 the only possible adhesive specified is 2.7.1 Bitumen. We need to know what the design intent is. Our assumption is a mechanically fastened assembly up to the overlay board and then a torch base and torch cap sheet with no need for adhesive.
- A.6 Mechanical fastening is to be applied to overlay board. Base sheet and cap sheet to be torch applied.

END OF ADDENDUM #7



- Remove existing steel stud and GWB, relocate existing fire alarm bell and pull station at Stair 1 (West) ground floor.

The following changes / clarifications in the tender documents are effective immediately.
This Addendum will form part of the Contract Documents.

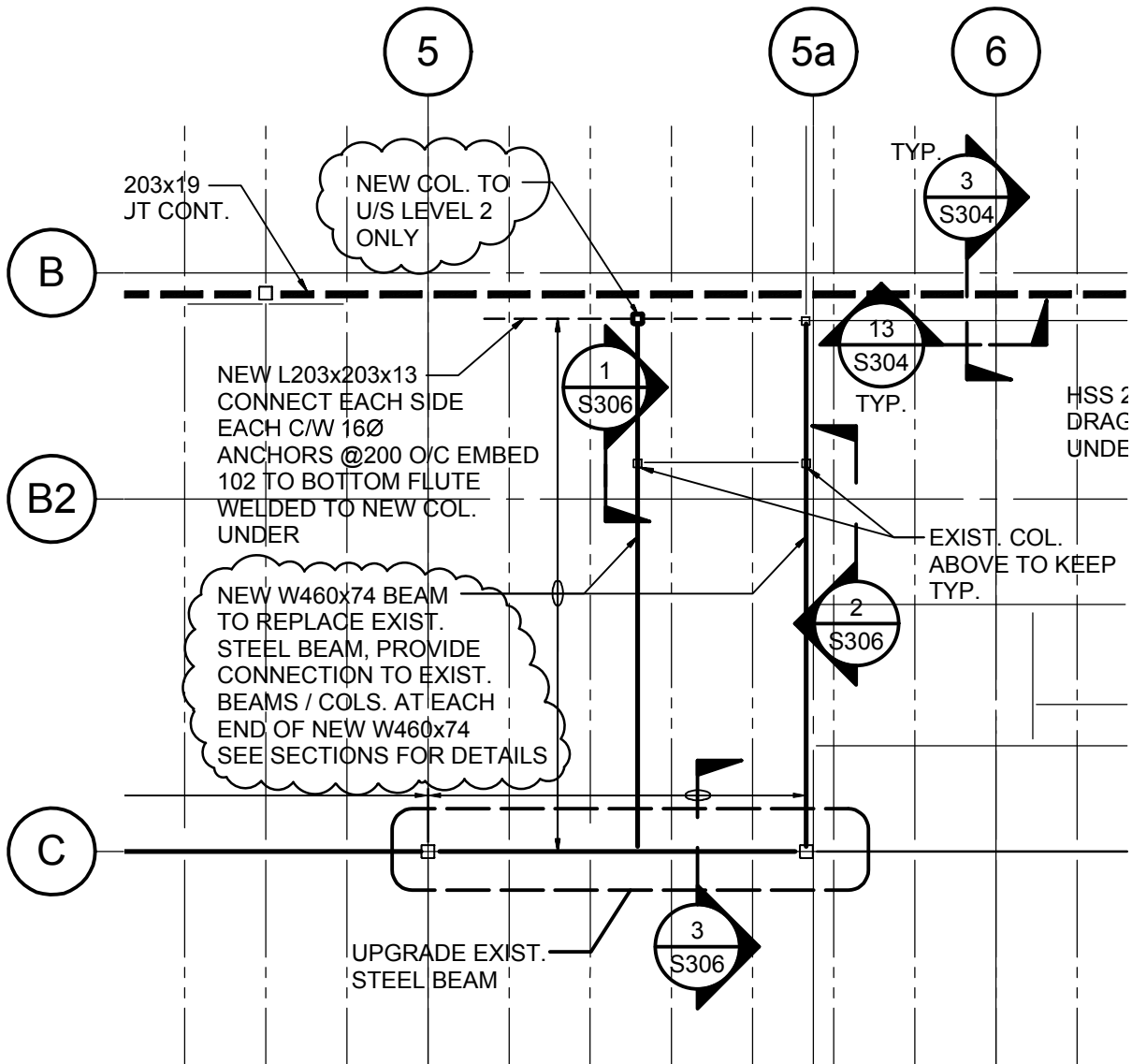
STRUCTURAL ADDENDUM No. 5

This Addendum contains 1 page and 1 – 8 ½”x 11” addendum sketch.

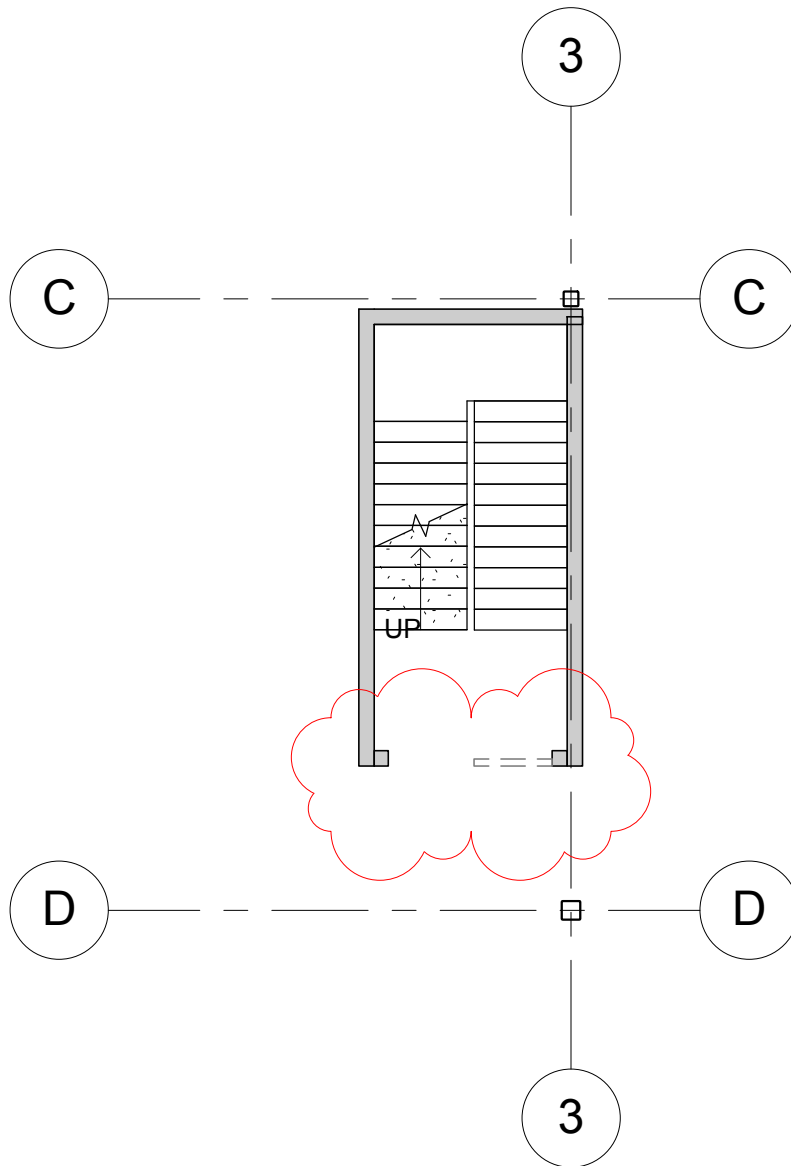
1.0 DWG S203

- 1.1 **Clarify** beam upgrade requirements for existing beams between G.L. B and C due to column removal below as per attached addendum sketch AD – S44.

END OF ADDENDUM S-05



Project title/Titre du projet PACIFIC REGION IMMIGRATION HOLDING CENTER 13130 76th Ave. Surrey, BC, V3W 2V6		Drawing title/Titre du dessin PARTIAL LEVEL 2 FLOOR PLAN REVISED (REFER TO DWG. S203)	
Consultant Signature Only		PWGSC Project Manager/Administrateur de Projets TPSGC JULIAN HO	Scale/Echelle N.T.S.
Designed by/Concept par P.L.		PWGSC, Regional Manager, Architectural and Engineering Services/ Gestionnaire régionale, Services d'architectural et de génie, TPSGC PREETIPAL PAUL	Date/Date AUG. 03, 2017
Drawn by/Dessine par CAD		Project No./No. du projet R.078656.001	Sheet/Feuille AD-S44
			Revision/ Revision



1
A104

EXISTING LEVEL 2 FLOOR PLAN (DEMOLITION)- WEST

1 : 100

REF. DWG. A004

Project title/Titre du projet

**PACIFIC REGION IMMIGRATION
HOLDING CENTRE (IHC)**

**13130 76th Ave.
Surrey, BC, V3W 2V6**

Drawing title/Titre du dessin

**EXISTING LEVEL 2 FLOOR PLAN (DEMOLITION)-
WEST**

Consultant Signature Only

PWGSC Project Manager/Administrateur
de Projets TPSGC
JULIAN HO

Scale/Echelle

1 : 100

Designed by/Concept par
T.Y.

PWGSC, Regional Manager, Architectural and Engineering Services/
Gestionnaire régionale, Services d'architectural et de génie, TPSGC
PREETIPAL PAUL

Date/Date

08/03/17

Drawn by/Dessine par
S.K.

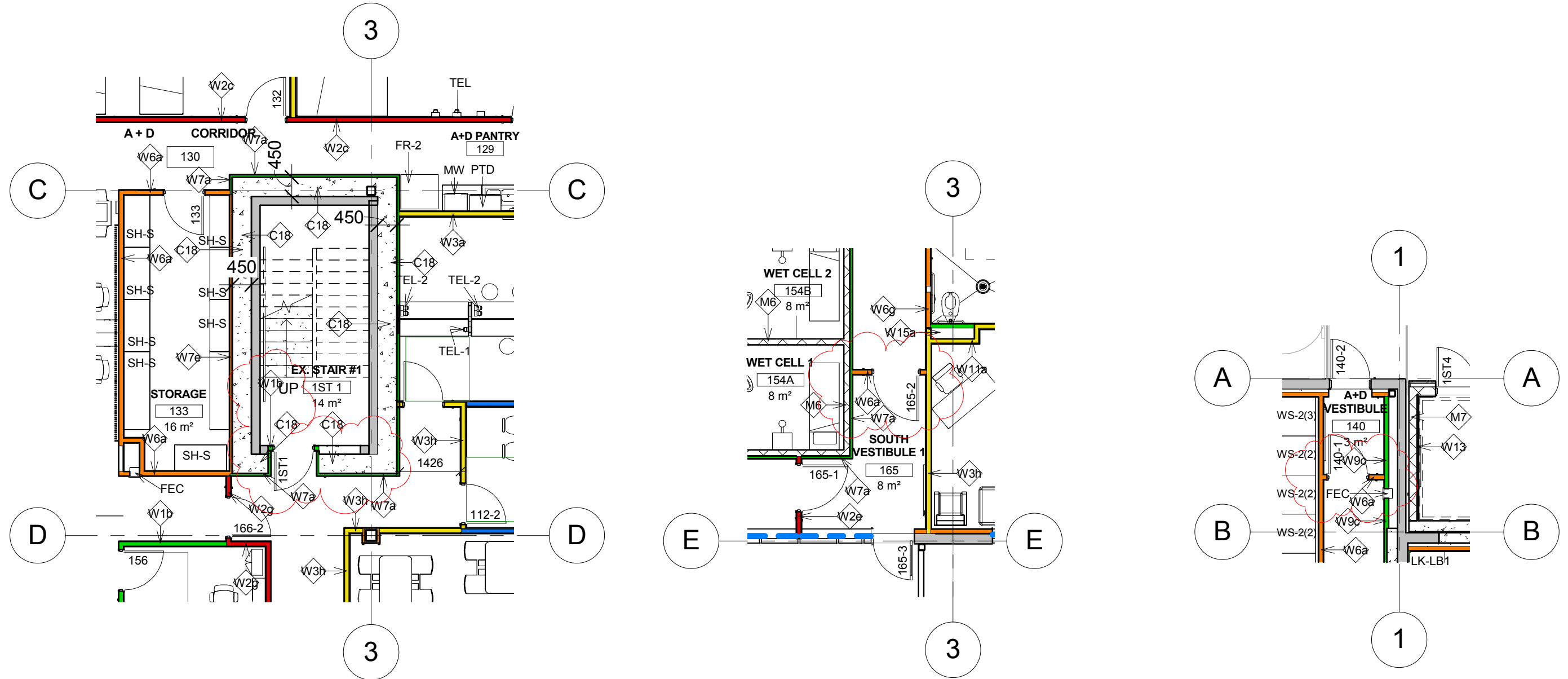
Project No./No. du
projet

R.078656.001

Sheet/Feuille

AD104-2

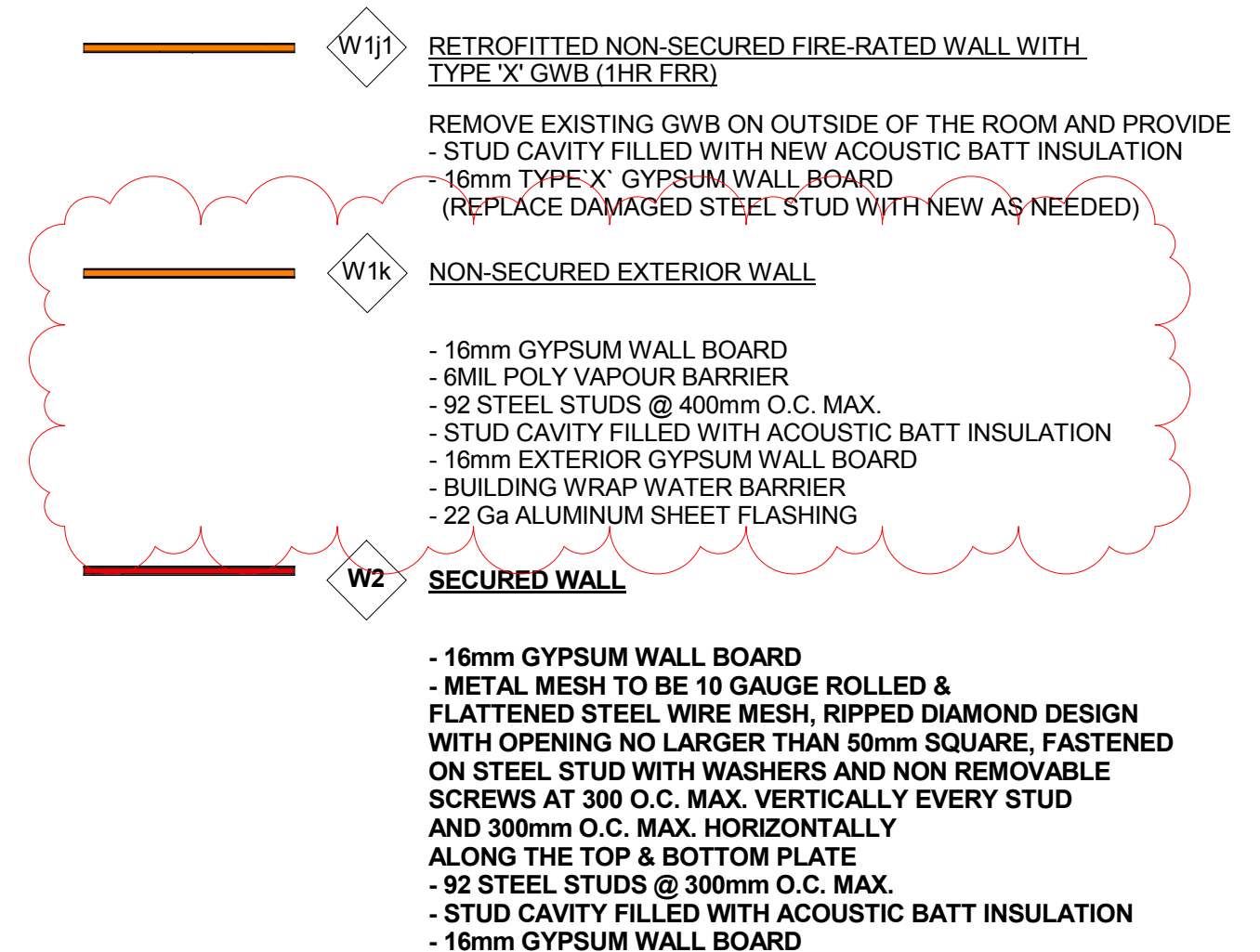
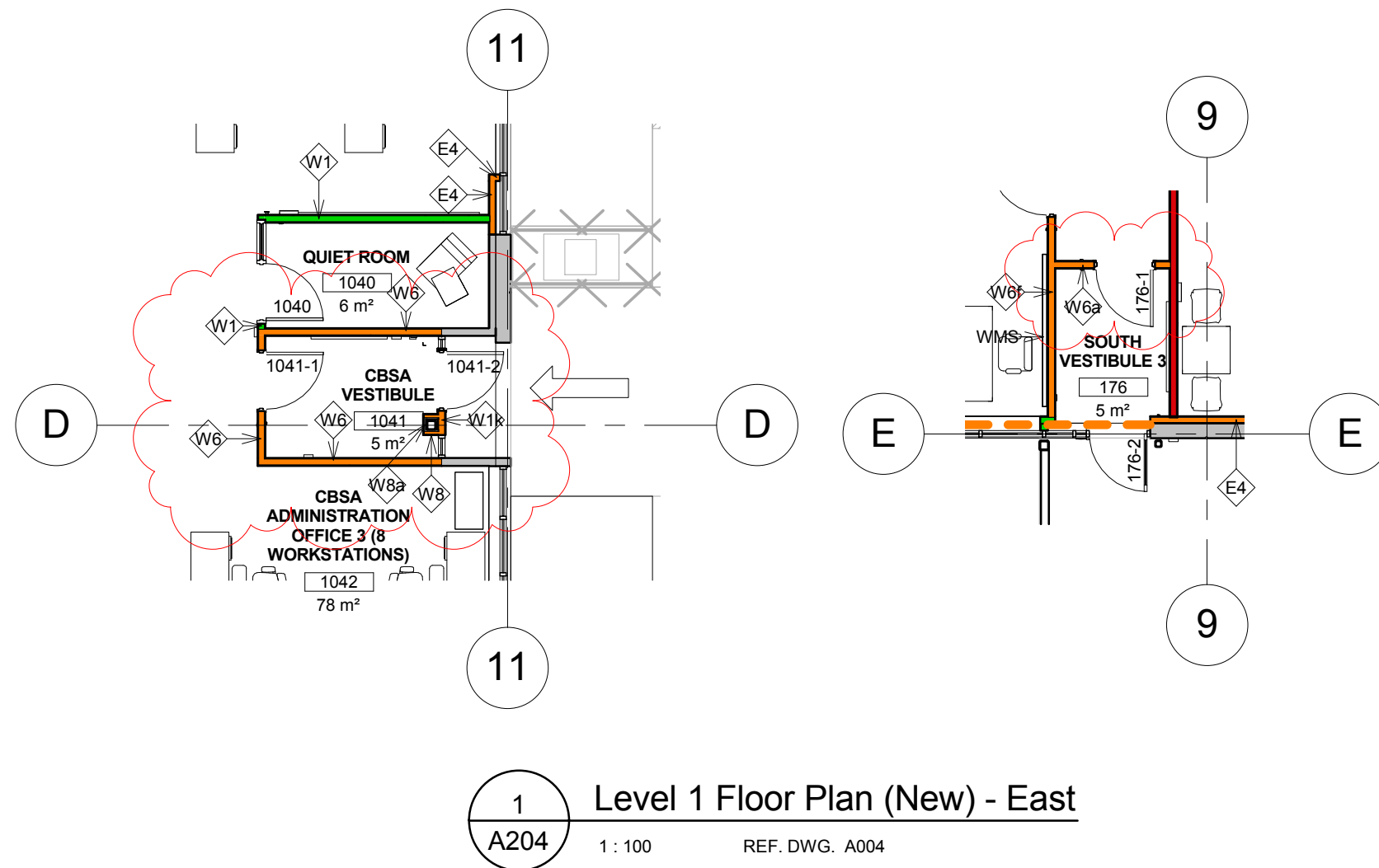
Revision/
Révision
6



1 LEVEL 1 FLOOR PLAN (NEW) - WEST
A203 1 : 100 REF. DWG. A004

Client/client CANADA BORDER SERVICES AGENCY	Project title/Titre du projet 13130 76th Ave. Surrey, BC, V3W 2V6 PACIFIC REGION IMMIGRATION HOLDING CENTRE (IHC)	Drawing title/Titre du dessin LEVEL 1 FLOOR PLAN (NEW) - WEST	Consultant Signature & Date Only	PWGSC Project Manager/Administrateur de Projets TPSGC JULIAN HO	Project No./No. du projet R.078656.001
			Designed by/Concept par T.Y.	PWGSC, Regional Manager, Architectural and Engineering Services Gestionnaire régionale, Services d'architecture et de génie, TPSGC PREETIPAL PAUL	Sheet/Feuille AD203-4
			Drawn by/Dessine par S.K.	Date/Date 08/04/17	Revision/Révision 6





Client/client CANADA BORDER SERVICES AGENCY	Project title/Titre du projet 13130 76th Ave. Surrey, BC, V3W 2V6 PACIFIC REGION IMMIGRATION HOLDING CENTRE (IHC)	Drawing title/Titre du dessin LEVEL 1 FLOOR PLAN (NEW) - EAST	Consultant Signature & Date Only -	PWGSC Project Manager/Administrateur de Projets TPSGC JULIAN HO	Project No./No. du projet R.078656.001
			Designed by/Concept par T.Y.	PWGSC, Regional Manager, Architectural and Engineering Services Gestionnaire régionale, Services d'architecture et de génie, TPSGC PREETIPAL PAUL	Sheet/Feuille AD204-4
			Drawn by/Dessine par L.E.	Date/Date 08/04/17	Revision/Révision 6

