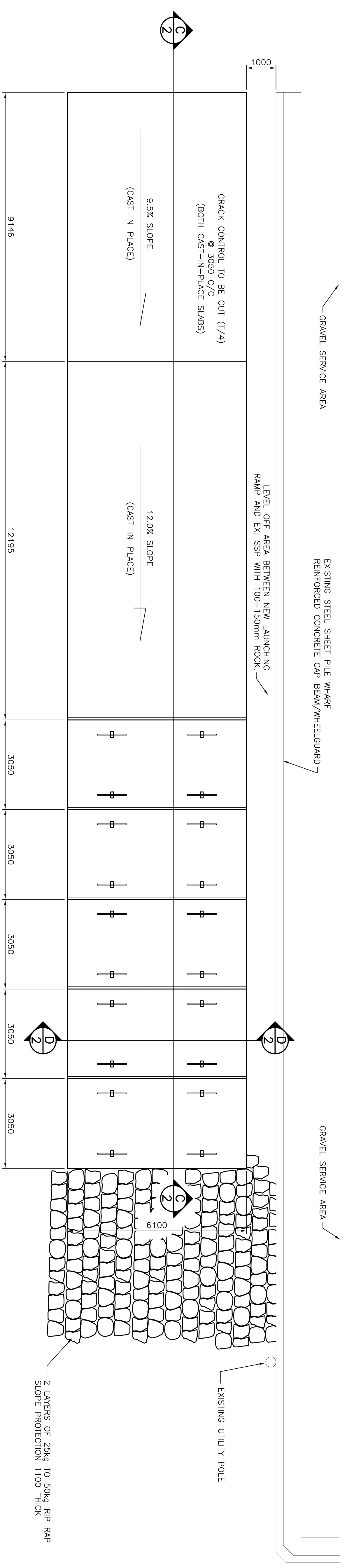
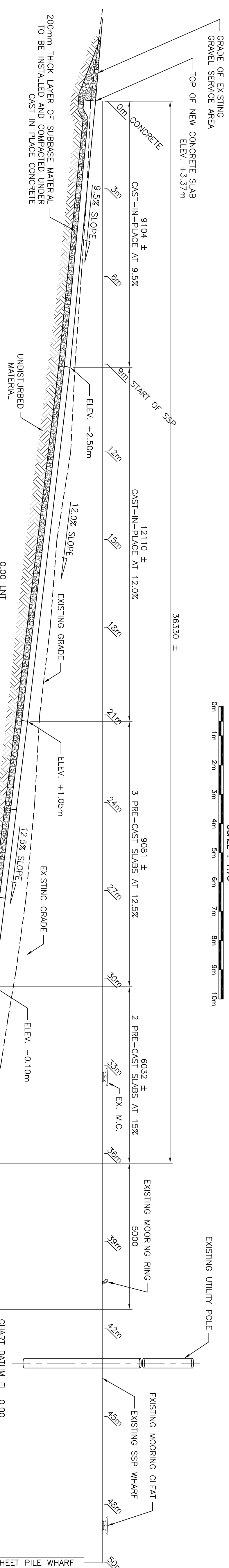


Notes:

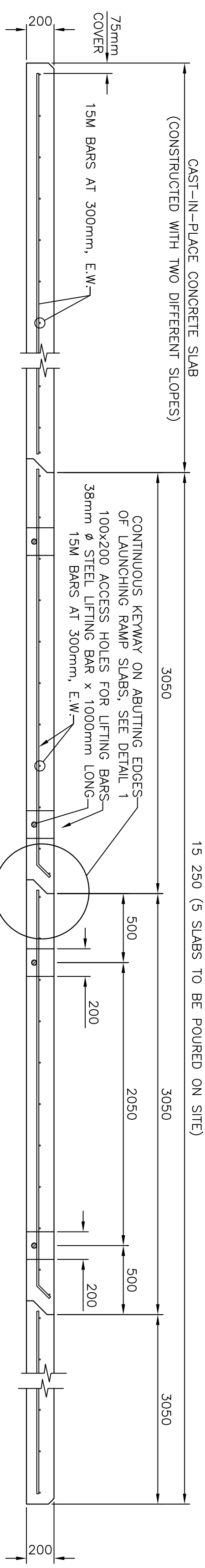
NOTE:
PROPOSED RIP RAP FOR THE NORTHSIDE
OF THE NEW LAUNCHING RAMP IS NOT
SHOWN FOR CLARITY ONLY.



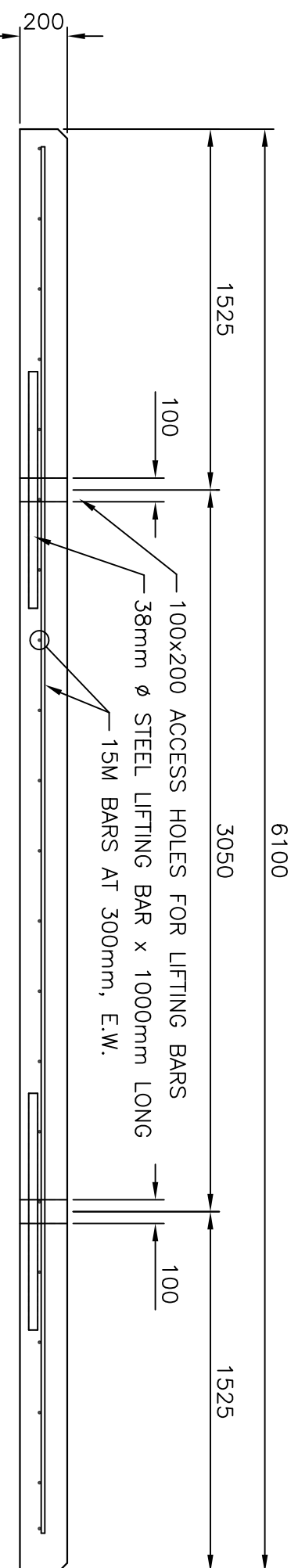
PLAN VIEW OF PROPOSED CONCRETE LAUNCHING RAMP



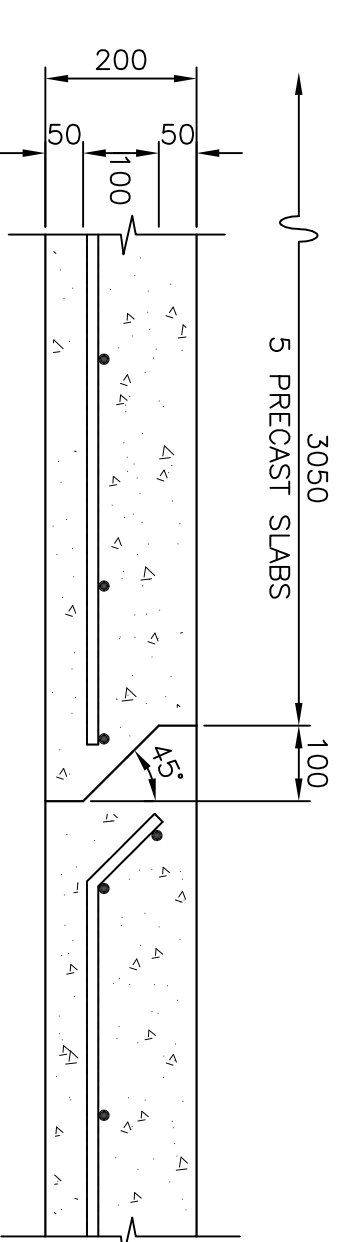
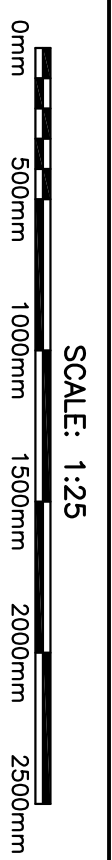
PROFILE OF PROPOSED CONCRETE LAUNCHING RAMP



LONGITUDINAL SECTION THROUGH NEW LAUNCHING RAMP SLABS



TRANSVERSE SECTION THROUGH NEW CONCRETE RAMP



No.	Date	Revision Description
1	FEB 11/17	DRAFT LAYOUT
2	MAY10/17	DETAILS AND QUANTITY CALCULATIONS
3	MAY12/17	SCH REVIEWING LAYOUT
4	JUN. 8/17	FINAL REVIEW
5	JUN21/17	SENT TO RHD FOR TENDERING
6	JUN23/17	SENT TO RHD FOR TENDERING

Project
NEW LAUNCHING RAMP
CONSTRUCTION
SONORA
GUYSBOROUGH
COUNTY, N.S.

Title
LAUNCHING RAMP LAYOUT
PROFILE
SECTIONS & DETAILS

Scale
AS NOTED
Date
JANUARY 16, 2017
Design By
SCH STAFF
Drawn By
S. MACKENZIE
Checked By
D. MACDONALD
Project No.
721573
Electronic File
721573

Sheet No.
SHEET 2 of 3
Revision
6