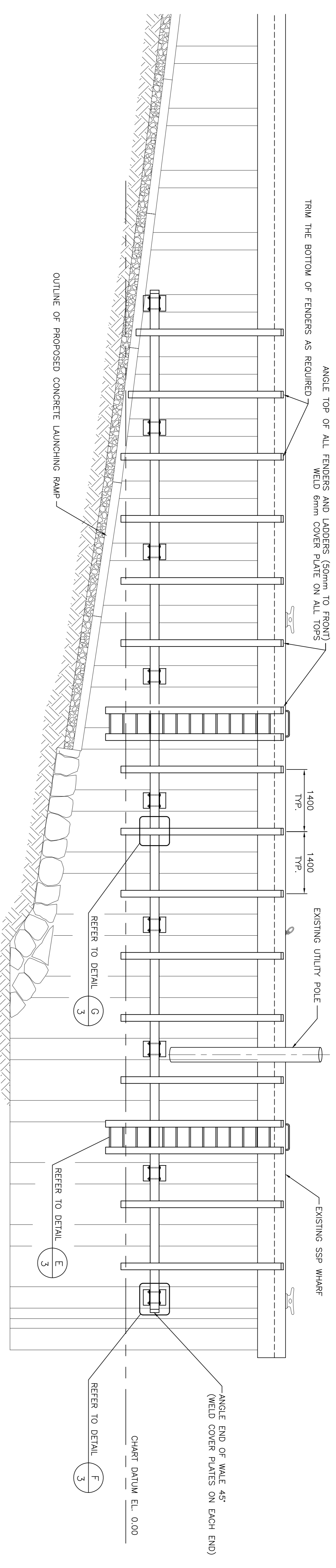
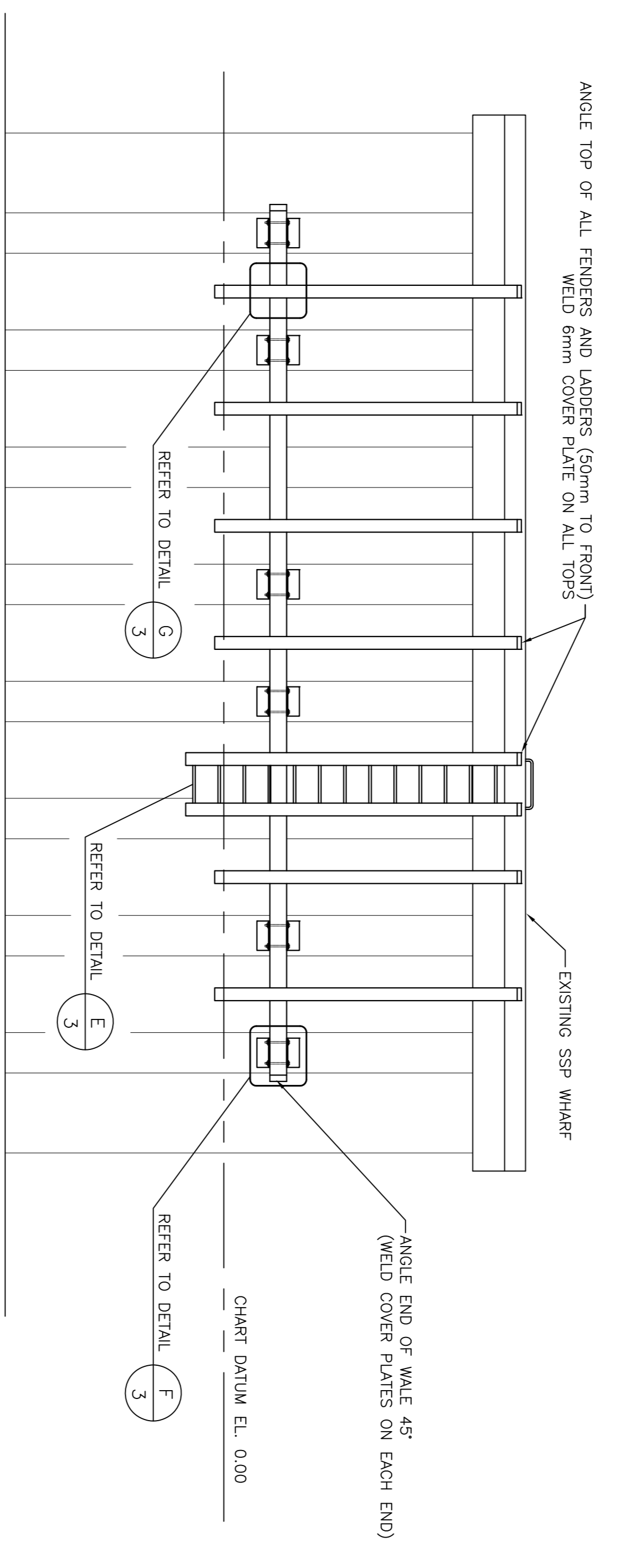


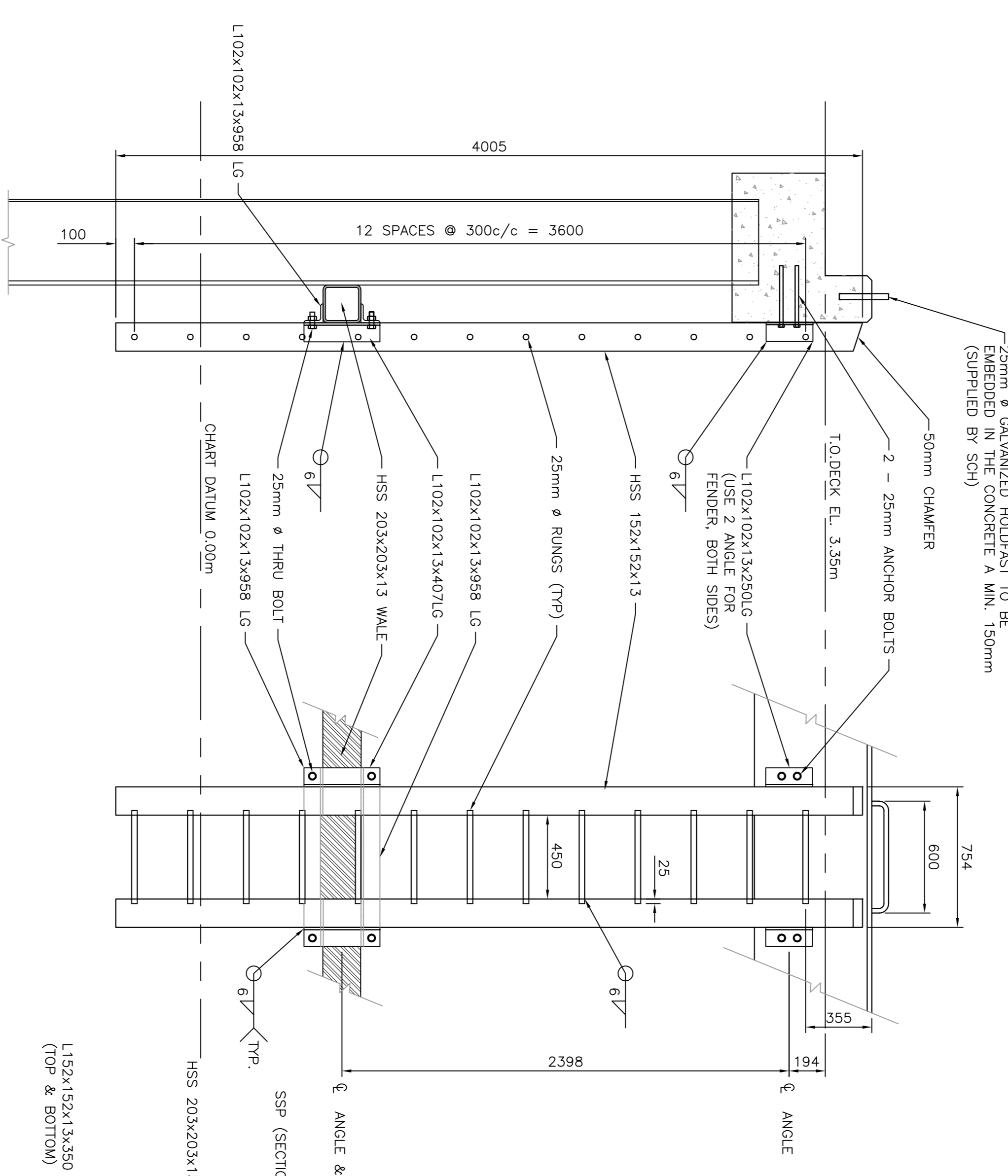
Notes:



ELEVATION VIEW (NORTHSIDE) OF HSS FENDERING LAYOUT

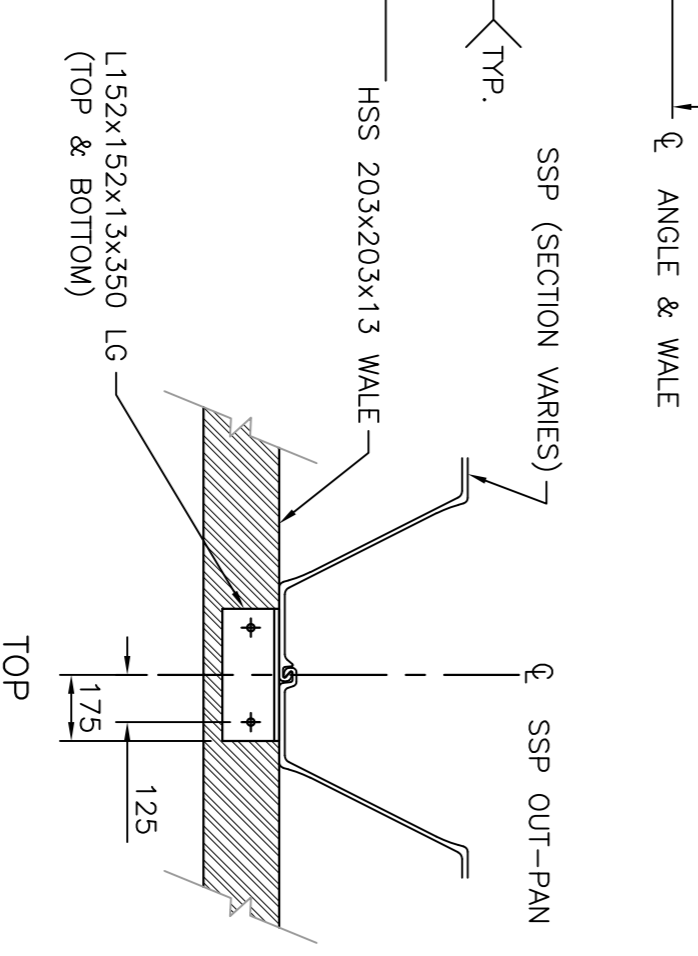


ELEVATION VIEW (WESTSIDE) OF HSS FENDERING LAYOUT



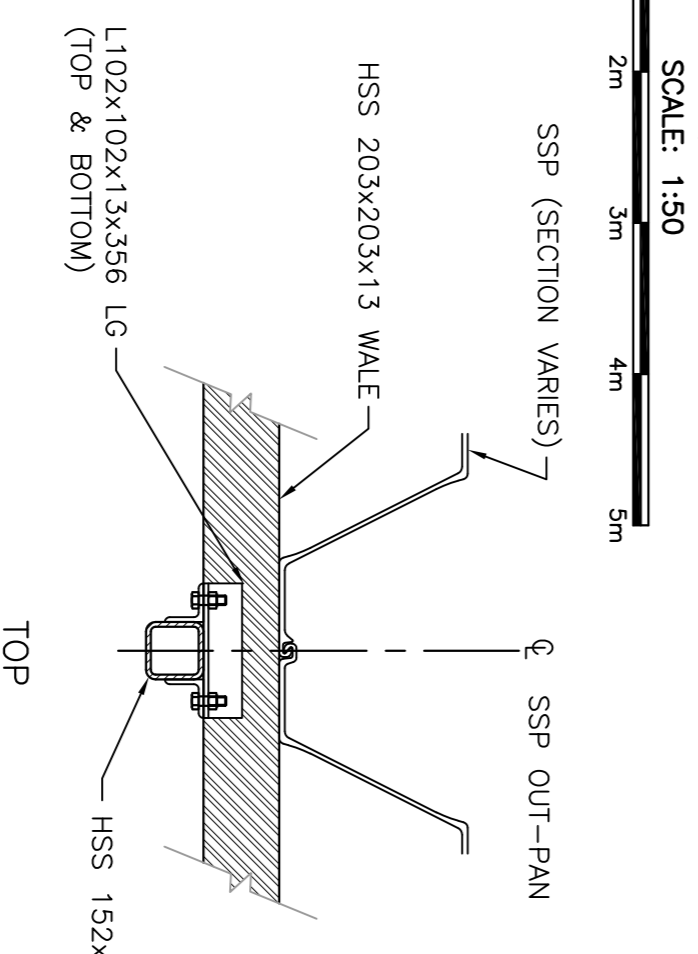
DETAIL - STEEL LADDER INSTALLATION

E 3



DETAIL - HSS WALE CONNECTION

F 3



DETAIL - HSS FENDER TO HSS WALE

G 3

NOTE:  
 ANCHOR TOP OF FENDER THE SAME AS LADDER INTO CONCRETE. USE L102x102x13x250LG, BOTH SIDES

No.	Date	Revision Description
1	FEB 11/17	DRAFT LAYOUT
2	MAY10/17	DETAILS AND QUANTITY CALCULATIONS
3	MAY12/17	SCH REVIEW
4	JUN. 8/17	FINAL REVIEW
5	JUN.21/17	SENT TO RHD FOR TENDERING
6	JUN.23/17	SENT TO RHD FOR TENDERING

Project  
 NEW LAUNCHING RAMP  
 CONSTRUCTION  
 SONORA  
 GUYSBOROUGH  
 COUNTY, N.S.

Title  
 HSS  
 FENDER - LADDER LAYOUT  
 SECTIONS & DETAILS

Scale  
 AS NOTED

Date  
 JANUARY 16, 2017

Designed By  
 SCH STAFF

Drawn By  
 S. MacKENZIE

Checked By  
 D. MacDONALD

Project No.  
 721573

Electronic File  
 721573

Sheet No.  
 SHEET 3 of 3

Revision  
 6