

FUEL TANK REPAIR AND REPLACEMENT PROJECT NUNAVUT, PHASE - 1

DRAWING LIST:

IQALUIT:

V023 - AIR SERVICES HANGER

ARCTIC BAY:

V009 - RESIDENCE
V100 - RESIDENCE
V102 - FACILITY BUILDING

POND INLET:

V135 - DUPLEX RESIDENCE
V136 - GARAGE / GYM & STORAGE
V139 - RESIDENCE
V140 - RESIDENCE
V138 - FACILITY BUILDING

CLYDE RIVER:

V095 - RESIDENCE
V116 - GARAGE
V118 - GYM STORAGE / GENERATOR
V119 - FACILITY BUILDING

IGLOOLIK:

V141 - RESIDENCE
V146 - FITNESS BUILDING
V158 - GARAGE
V159 - RESIDENCE
V147 - FACILITY BUILDING

HALL BEACH:

V054 - GARAGE
V053 - RESIDENCE
V055 - RESIDENCE
V058 - FACILITY BUILDING

CAPE DORSET:

V157 - RESIDENCE
V161 - RESIDENCE
V151 - GYM STORAGE
V153 - GARAGE / WORKSHOP
V156 - GARAGE
V160 - RESIDENCE
V148 - FACILITY BUILDING

QIKIQTARJUAQ:

V089 - GARAGE
V104 - RESIDENCE
V103 - RESIDENCE
V088 - FACILITY BUILDING



PROJECT TITLE:
RCMP "V" DIVISION OIL TANK REPLACEMENT
SHEET TITLE:
TITLE PAGE
PROJECT NUMBER:
16-028-14-30

00	ISSUED FOR TENDER	17 06 09	JLS
REV. #	REVISION	DATE (YY MM DD)	REV. BY

REV. #	REVISION	DATE (YY MM DD)	REV. BY
--------	----------	-----------------	---------

SCALE:
AS NOTED
DATE (YY MM DD):
17 06 09

DRAWING NUMBER:
M0.0
REVISION NUMBER:
00

FUEL TANK REPAIR AND REPLACEMENT PROJECT IQALUIT, NUNAVUT

DRAWING LIST:

V023 - AIR SERVICES HANGER

M1.0 CONSTRUCTION PLAN
M1.1 DETAILS



PROJECT TITLE:
RCMP "V" DIVISION OIL TANK REPLACEMENT
SHEET TITLE:
TITLE PAGE
PROJECT NUMBER:
16-028-14-30

REV. #	REVISION	DATE (YY MM DD)	REV. BY
00	ISSUED FOR REVIEW	17 01 30	JLS

REV. #	REVISION	DATE (YY MM DD)	REV. BY

SCALE:
AS NOTED
DATE (YY MM DD):
17 01 30

DRAWING NUMBER:
M0.0
REVISION NUMBER:
00

FUEL TANK REPAIR AND REPLACEMENT PROJECT IQALUIT, NUNAVUT

DRAWING LIST:

AIR SERVICES HANGER

M1.0 CONSTRUCTION PLAN
M1.1 DETAILS



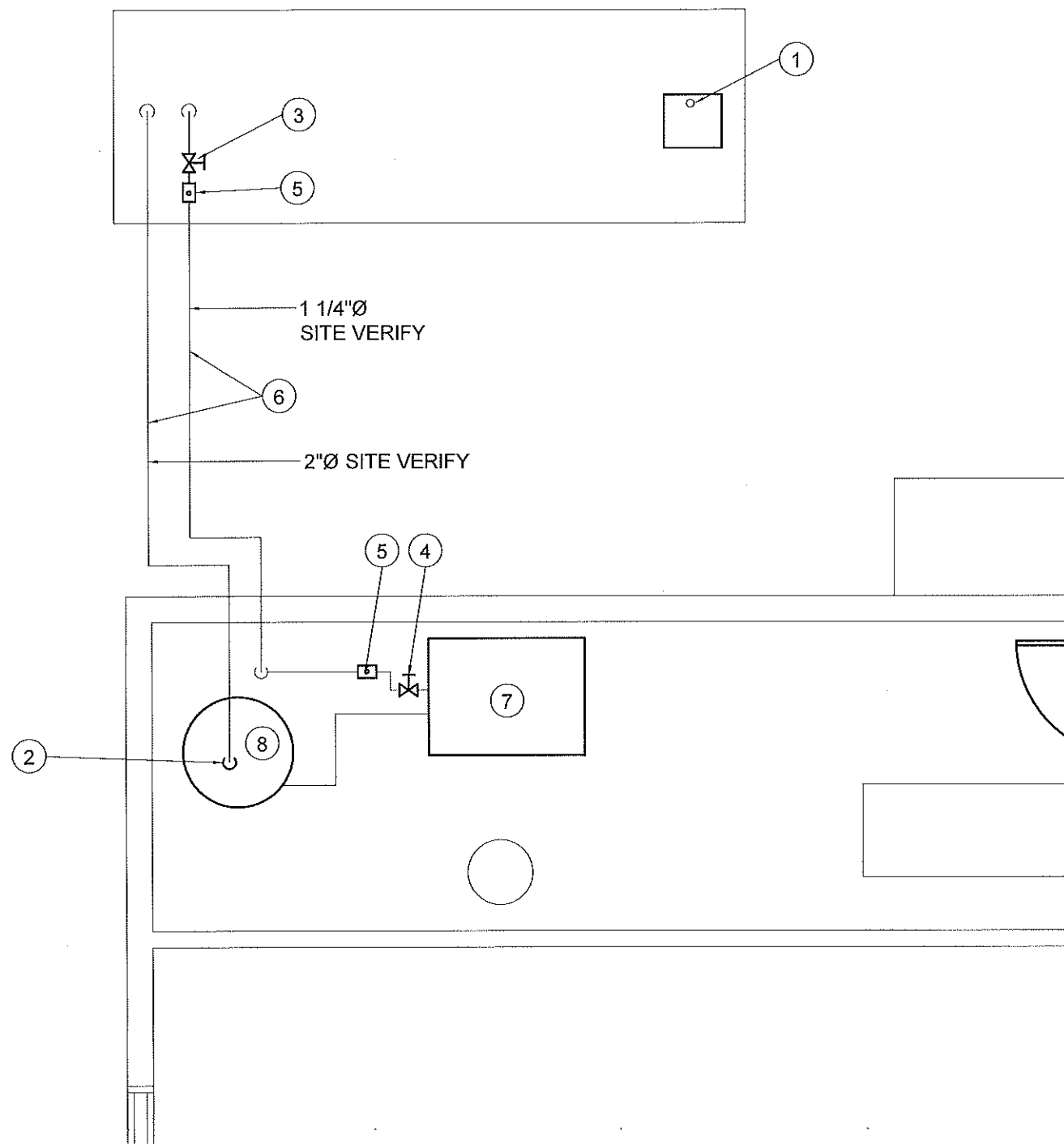
PROJECT TITLE:
RCMP "V" DIVISION OIL TANK REPLACEMENT
SHEET TITLE:
TITLE PAGE
PROJECT NUMBER:
16-028-14-30

REV. #	REVISION	DATE (YY MM DD)	REV. BY
00	ISSUED FOR REVIEW	17 01 30	JLS

REV. #	REVISION	DATE (YY MM DD)	REV. BY
--------	----------	-----------------	---------

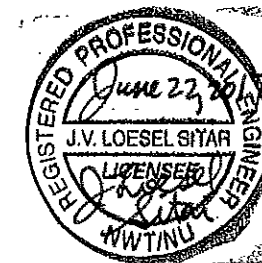
SCALE:
AS NOTED
DATE (YY MM DD):
17 01 30

DRAWING NUMBER:
M0.0
REVISION NUMBER:
00



DRAWING NOTES: (#)

1. REMOVE EXISTING COPPER PIPE IN SPILL CONTAINMENT. REPLACE WITH THREADED END CAP. SEE DETAIL 1 SHEET M1.1
2. REMOVE EXISTING TEE AT TOP OF INTERIOR DAY TANK AND INSTALL ELBOW. REMOVE VENT PIPE EXTENDING INTO CEILING. REPAIR HOLE IN CEILING WITH APPROPRIATE MATERIALS TO MAINTAIN FIRE SEPARATION..
3. INSTALL NEW SHUT OFF VALVE AS CLOSE AS POSSIBLE TO SUPPLY LINE
4. INSTALL NEW SHUT OFF VALVE PRIOR TO PUMP
5. INSTALL TEST PORT
6. EXISTING PIPING
7. FUEL PUMP SYSTEM
8. DAY TANK



PERMIT TO PRACTICE
CAN-TEC SERVICES LTD.
 Signature J. Loesel Sitar
 Date June 22, 2017
PERMIT NUMBER: P 647
 NWT/NU Association of Professional
 Engineers and Geoscientists

01 CONSTRUCTION PLAN
 M1.0 SCALE: 1/4"=1'-0"



PROJECT TITLE:
 RCMP "V" DIVISION OIL TANK REPLACEMENT - IQALUIT
 AIR SERVICES HANGAR
 SHEET TITLE:
 CONSTRUCTION PLAN
 PROJECT NUMBER:
 16-028-14-30

00	ISSUED FOR TENDER	17 06 21	JLS
REV. #	REVISION	DATE (YY MM DD)	REV. BY

REV. #	REVISION	DATE (YY MM DD)	REV. BY
--------	----------	-----------------	---------

SCALE:
 AS NOTED
 DATE (YY MM DD):
 17 02 24

DRAWING NUMBER:
M1.0
 REVISION NUMBER:
 00



REMOVE AND REPLACE WITH NEW PLUG

1 FILL PORT DETAIL 1
M1.1 SCALE: NTS



REPAIR CEILING ONCE PIPE HAS BEEN REMOVED

REMOVE VENT PIPE

REMOVE EXISTING TEE AND INSTALL NEW ELBOW.



2 VENT ON TOP OF AUXILARY TANK
M1.1 SCALE: NTS

PERMIT TO PRACTICE
CAN-TEC SERVICES LTD.
Signature *J. Loesel Sitar*
Date *June 22, 2017*
PERMIT NUMBER: P 647
NWT/NU Association of Professional Engineers and Geoscientists



PROJECT TITLE:
RCMP "V" DIVISION OIL TANK REPLACEMENT - IQALUIT
AIR SERVICES HANGAR
SHEET TITLE:
DETAILS
PROJECT NUMBER:
16-028-14-30

00	ISSUED FOR TENDER	17 06 21	JLS
REV. #	REVISION	DATE (YY MM DD)	REV. BY

REV. #	REVISION	DATE (YY MM DD)	REV. BY
--------	----------	-----------------	---------

SCALE:
AS NOTED
DATE (YY MM DD):
17 02 24

DRAWING NUMBER:
M1.1
REVISION NUMBER:
00

FUEL TANK REPAIR AND REPLACEMENT PROJECT

ARCTIC BAY, NUNAVUT

DRAWING LIST:

V009 - RESIDENCE

M1.0 DEMOLITION PLAN
M1.1 CONSTRUCTION PLAN
M2.0 TANK ELEVATIONS
M2.1 2" FUEL LINE SUPPORT DETAILS
M3.0 SCHEMATIC

V100 - RESIDENCE

M1.0 DEMOLITION PLAN
M1.1 CONSTRUCTION PLAN
M2.0 TANK ELEVATIONS
M2.1 2" FUEL LINE SUPPORT DETAILS
M3.0 SCHEMATIC

V102 - FACILITY BUILDING

M1.0 DEMOLITION PLAN
M1.1 CONSTRUCTION PLAN
M2.0 TANK ELEVATIONS
M2.1 2" FUEL LINE SUPPORT DETAILS
M3.0 SCHEMATIC

STRUCTURAL DRAWING LIST

S1 STRUCTURAL PROJECT NOTES
S2 TYP TANK SLAB, BOLLARD AND BASE PLATE DETAILS AND ISOMETRIC VIEW OF METAL STAND
S3 CONNECTION #1 DETAILS
S4 CONNECTION #2 DETAILS
S5 TANK #1 - PLAN VIEW OF TANK ON SLAB
S6 TANK #1 - PLAN VIEW OF TANK ON SLAB
S7 TANK #2 - PLAN VIEW OF TANK ON LOW METAL STAND
S8 TANK #2 - ELEVATIONS OF LOW METAL STAND
S9 TANK #2 - ELEVATIONS OF LOW METAL STAND
S10 TANK #3 - PLAN VIEW OF TANK ON HIGH METAL STAND
S11 TANK #3 - ELEVATIONS OF HIGH METAL STAND
S12 TANK #3 - ELEVATIONS OF HIGH METAL STAND
S13 TANK #4 - PLAN VIEW OF TANK ON LOW DOUBLE METAL STAND
S14 TANK #4 - ELEVATIONS OF LOW DOUBLE METAL STAND
S15 TANK #4 - ELEVATIONS OF LOW DOUBLE METAL STAND
S16 TANK #5 - PLAN VIEW OF TANK ON HIGH DOUBLE METAL STAND
S17 TANK #5 - ELEVATIONS OF HIGH DOUBLE METAL STAND
S18 TANK #5 - ELEVATIONS OF HIGH DOUBLE METAL STAND



PROJECT TITLE:
RCMP "V" DIVISION OIL TANK REPLACEMENT - ARCTIC BAY
SHEET TITLE:
TITLE PAGE
PROJECT NUMBER:
16-028-14-30

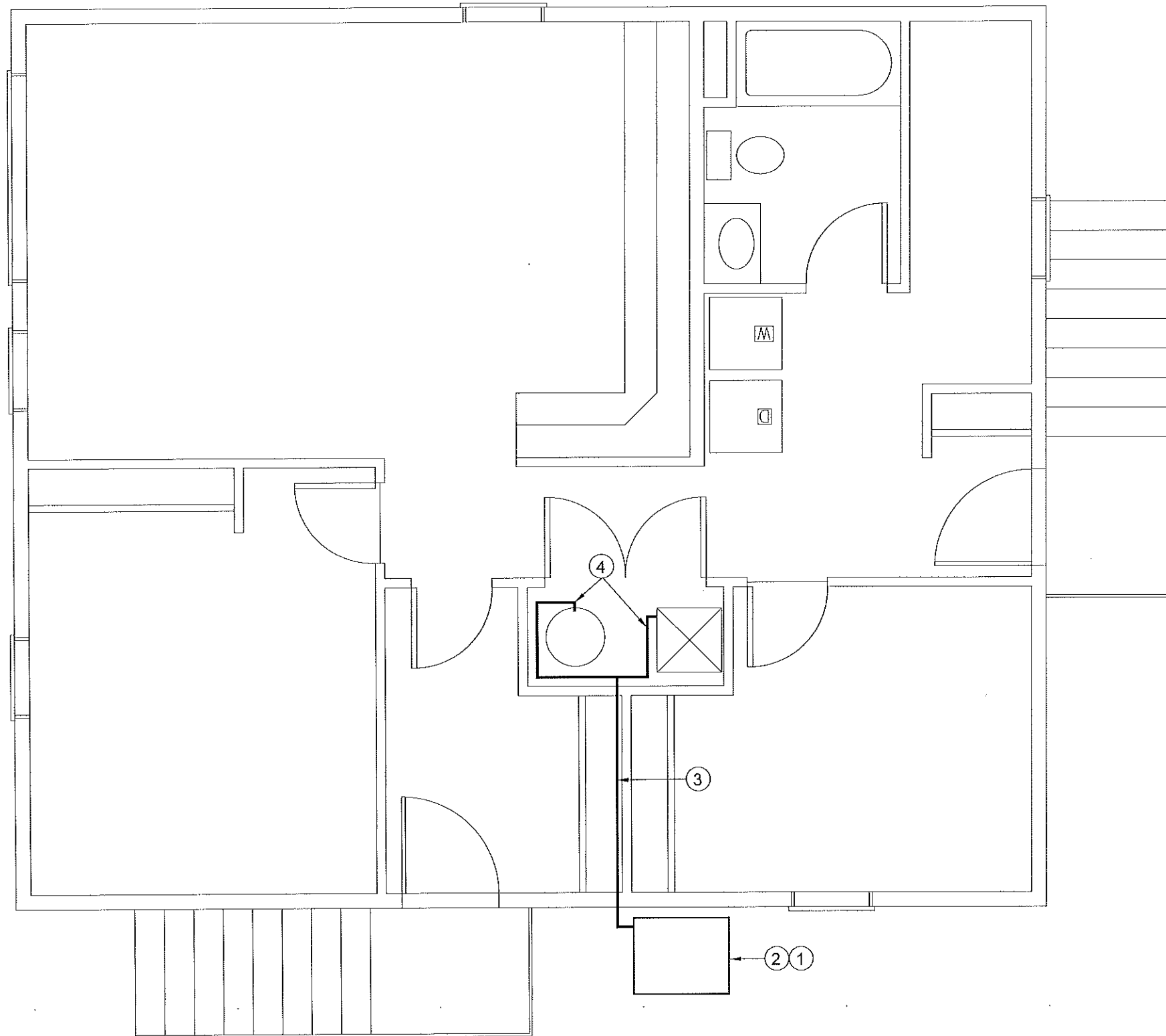
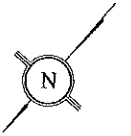
00 ISSUED FOR TENDER 17 06 09 JLS
REV. # | REVISION | DATE (YY MM DD) | REV. BY

REV. # | REVISION | DATE (YY MM DD) | REV. BY

SCALE:
AS NOTED
DATE (YY MM DD):
17 06 09

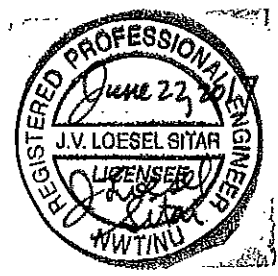
DRAWING NUMBER:
M0.0

REVISION NUMBER:
00



DEMOLITION NOTES: #

1. REMOVE ALL FUEL FROM THE TANK AND DISPOSE OF AS PER LOCAL REGULATIONS.
2. REMOVE EXISTING ROTH 1000L OIL TANK AND PAD DISPOSE OF AS PER LOCAL REGULATIONS.
3. REMOVE ALL PIPING TO FURNACE AND HOT WATER TANK. DISPOSE OF AS PER LOCAL REGULATIONS.
4. REMOVE EXISTING TIGER LOOP AND FUEL FILTERS ON EXISTING FURNACE AND HWT. DISPOSE OF AS PER LOCAL REGULATIONS.



01 DEMOLITION PLAN
 M1.0 SCALE: NTS



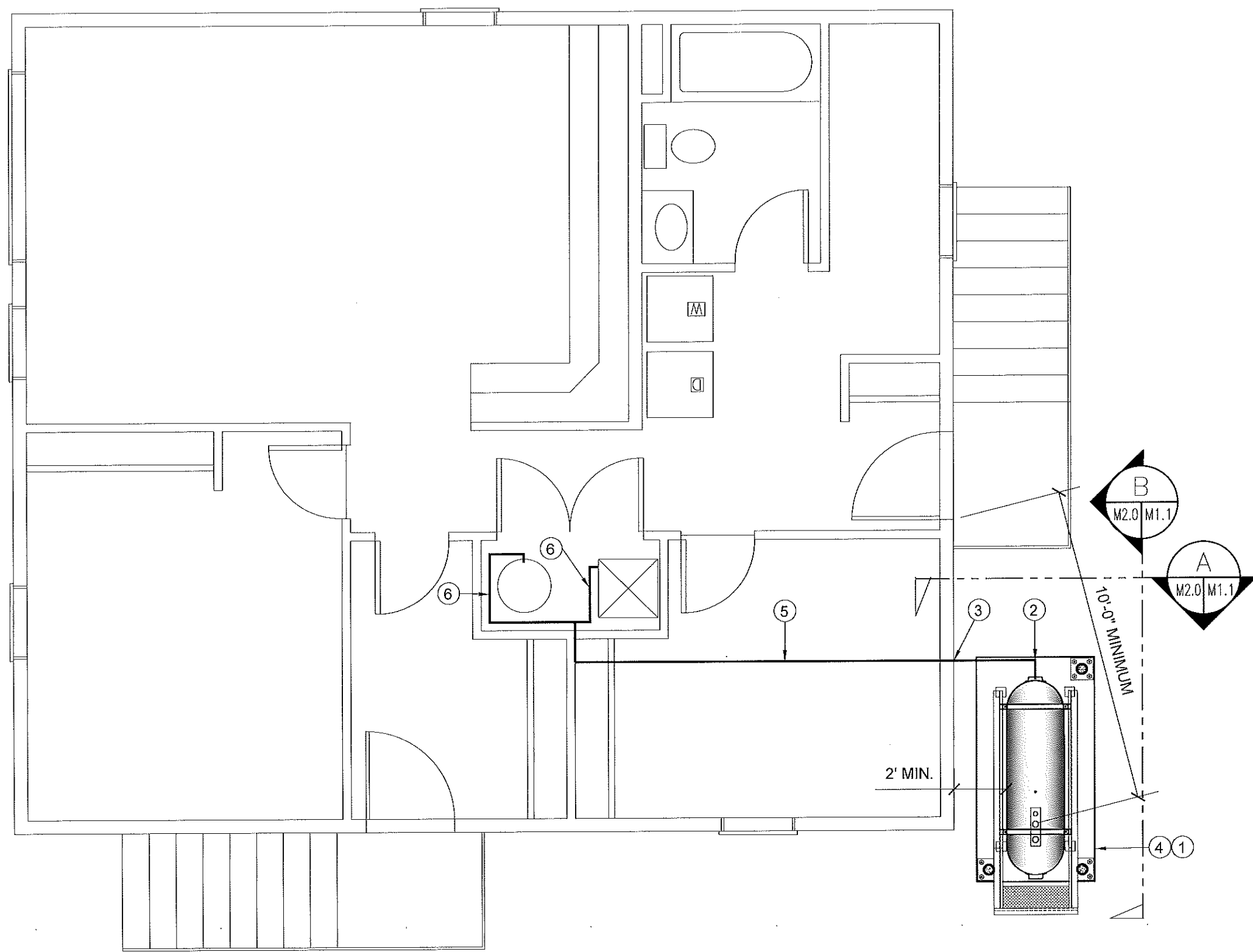
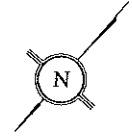
PROJECT TITLE:
 RCMP "V" DIVISION OIL TANK REPLACEMENT - ARCTIC BAY
 V009 - RESIDENCE, ARCTIC BAY
 SHEET TITLE:
 DEMOLITION PLAN
 PROJECT NUMBER:
 16-028-14-30

00	ISSUED FOR TENDER	17 06 09	JLS
REV. #	REVISION	DATE (YY MM DD)	REV. BY

REV. #	REVISION	DATE (YY MM DD)	REV. BY
--------	----------	-----------------	---------

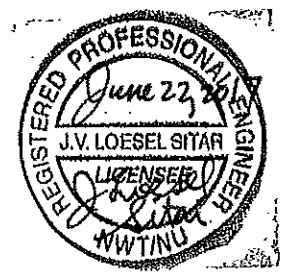
SCALE:
 AS NOTED
 DATE (YY MM DD):
 17 06 09

DRAWING NUMBER:
 M1.0
 REVISION NUMBER:
 00



CONSTRUCTION NOTES: #

1. INSTALL NEW OIL TANK AND CONCRETE PAD IN NEW LOCATION.
2. PROVIDE SUPPORTS UNDER ALL PIPING FROM BOTTOM OF TANK
3. CAULK ENTRY INTO BUILDING.
4. INSTALL NEW OIL TANK STAND #3 - SEE STRUCTURAL FOR DETAILS.
5. INSTALL NEW 2" FUEL PIPE IN CRAWL SPACE. INSTALL NEW HANGERS AS PER SPECIFICATION (SUPPLY NEW ACCESS TO CRAWL SPACE NONE IS PRESENT AT THIS TIME.)
6. INSTALL NEW FUEL FILTER , FUSIBLE LINK, TIGER LOOP AND FUEL PIPING TO FURNACE AND HOT WATER TANK. SEE M3.0



01 CONSTRUCTION PLAN
M1.1 SCALE: NTS



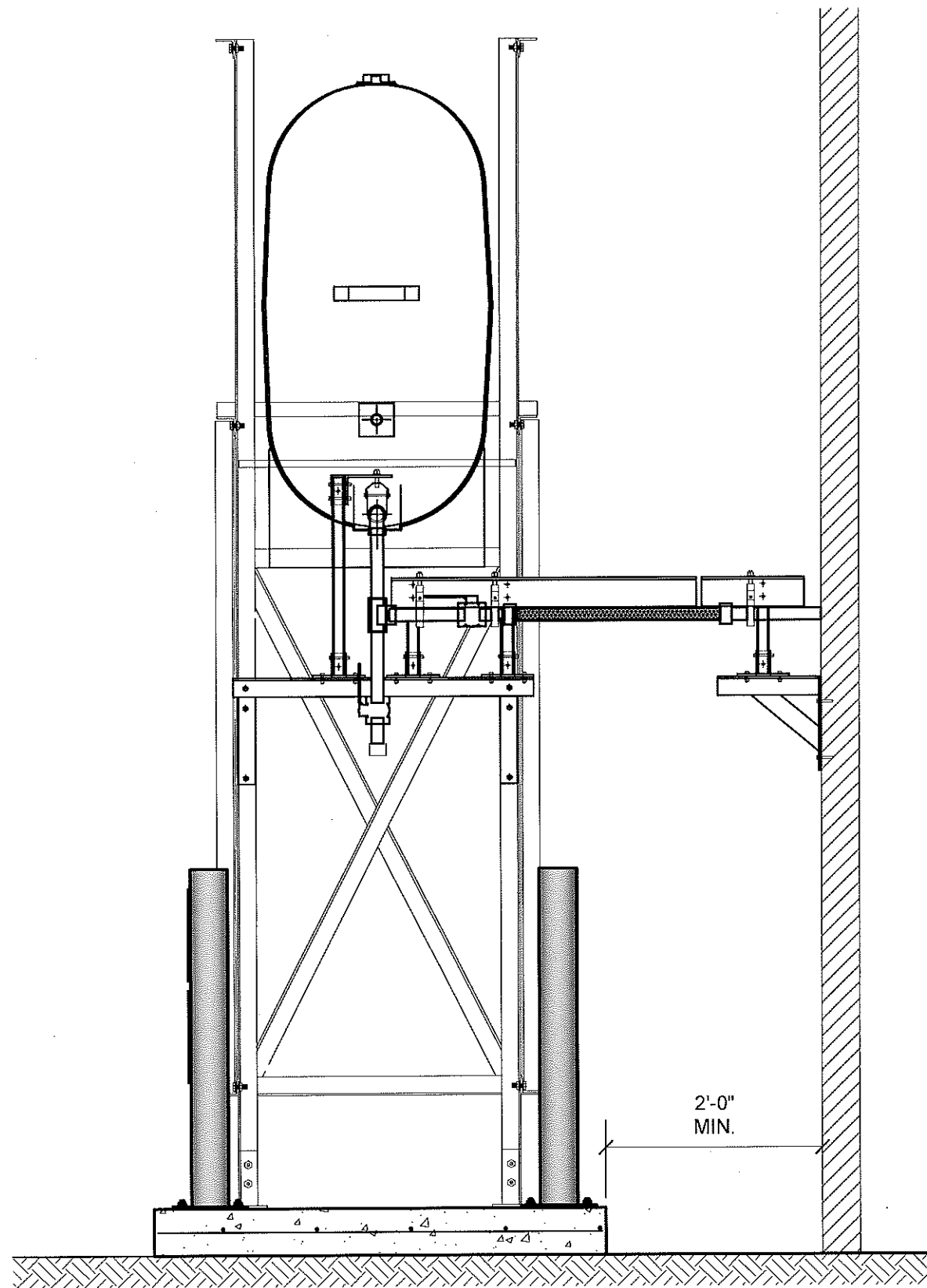
PROJECT TITLE:
RCMP "V" DIVISION OIL TANK REPLACEMENT - ARCTIC BAY
V009 - RESIDENCE, ARCTIC BAY
SHEET TITLE:
CONSTRUCTION PLAN
PROJECT NUMBER:
16-028-14-30

REV. #	REVISION	DATE (YY MM DD)	REV. BY
00	ISSUED FOR TENDER	17 06 09	JLS

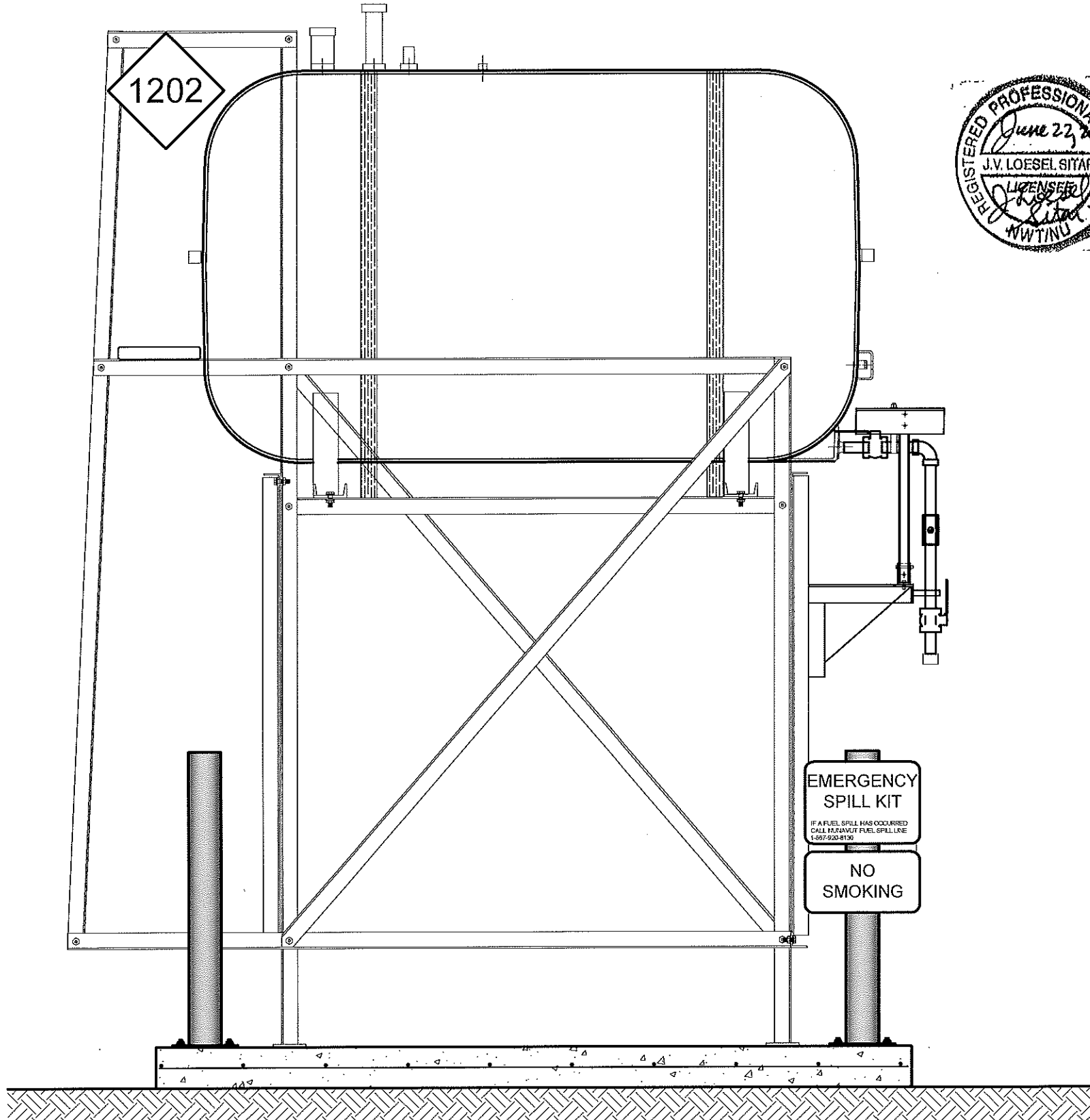
REV. #	REVISION	DATE (YY MM DD)	REV. BY

SCALE:
AS NOTED
DATE (YY MM DD):
17 06 09

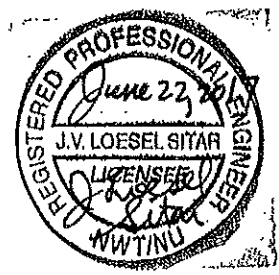
DRAWING NUMBER:
M1.1
REVISION NUMBER:
00



01 OIL TANK ELEVATION - A
M2.0 SCALE: 3/4"-1'-0"



02 OIL TANK ELEVATION - B
M2.0 SCALE: 3/4"-1'-0"



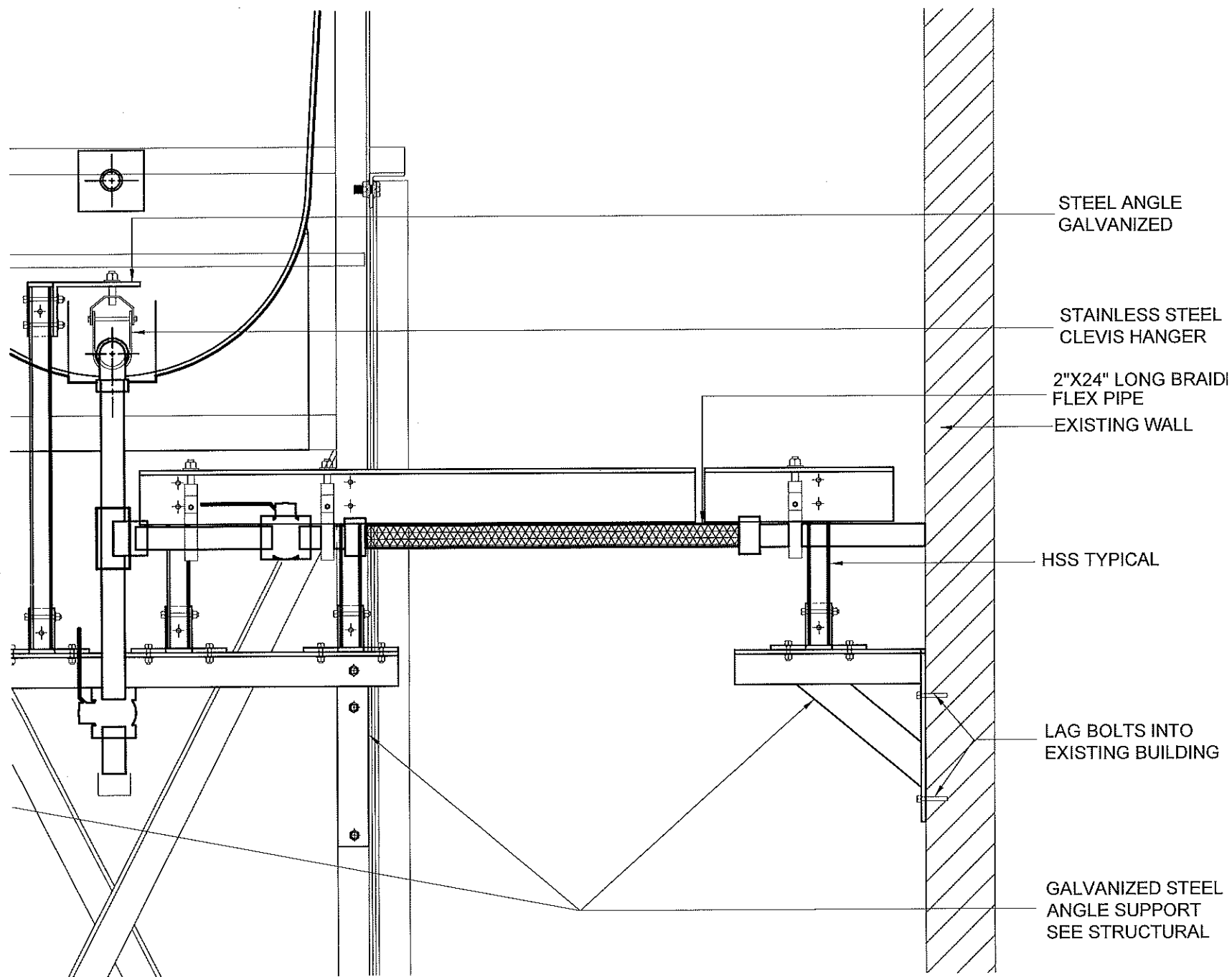
PROJECT TITLE:
RCMP "V" DIVISION OIL TANK REPLACEMENT - ARCTIC BAY
V009 - RESIDENCE, ARCTIC BAY
SHEET TITLE:
TANKS ELEVATIONS
PROJECT NUMBER:
16-028-14-30

00	ISSUED FOR TENDER	17 06 09	JLS
REV. #	REVISION	DATE (YY MM DD)	REV. BY

REV. #	REVISION	DATE (YY MM DD)	REV. BY
--------	----------	-----------------	---------

SCALE:
AS NOTED
DATE (YY MM DD):
17 06 09

DRAWING NUMBER:
M2.0
REVISION NUMBER:
00



STEEL ANGLE
GALVANIZED

STAINLESS STEEL
CLEVIS HANGER

2"X24" LONG BRAID
FLEX PIPE

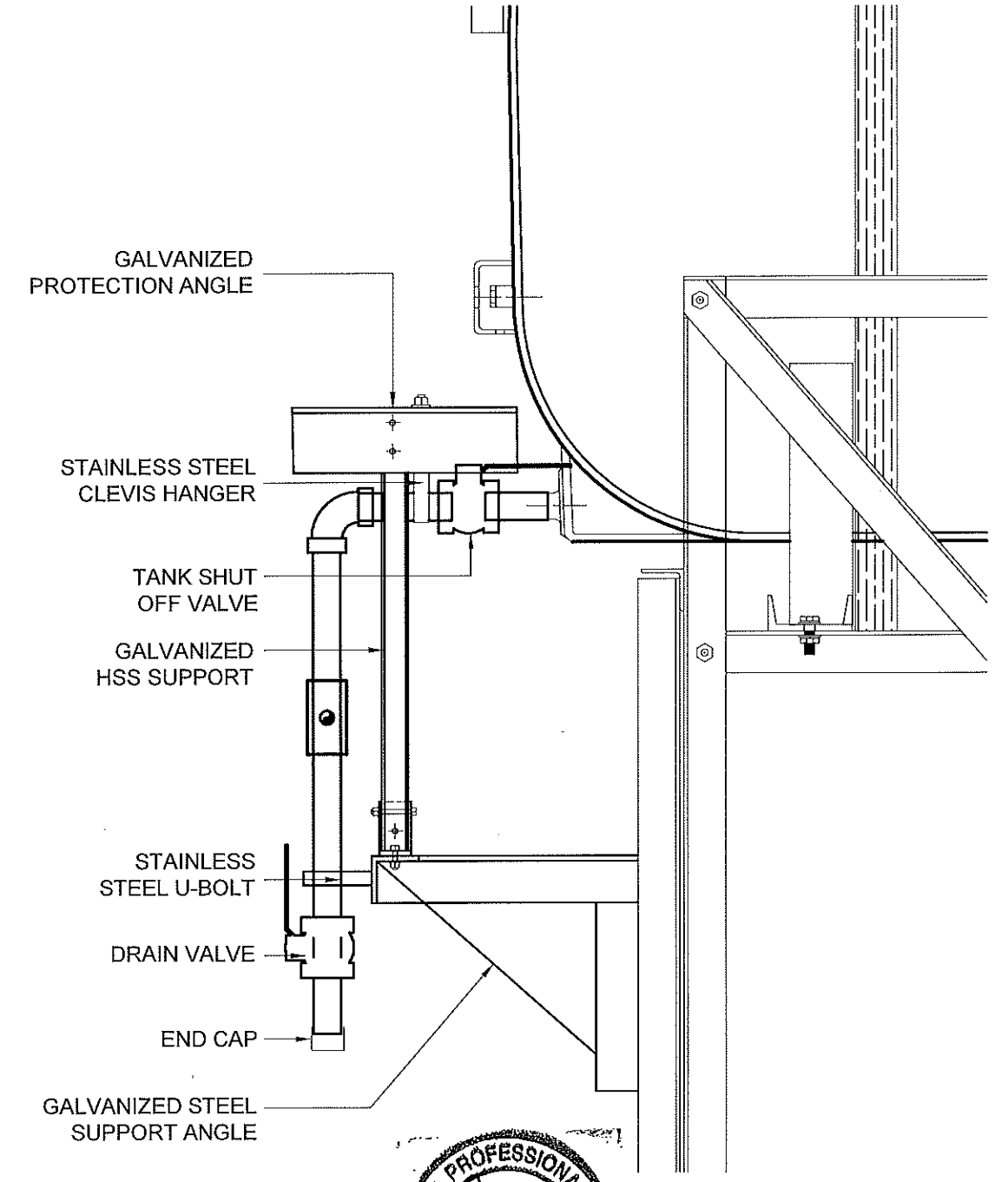
EXISTING WALL

HSS TYPICAL

LAG BOLTS INTO
EXISTING BUILDING

GALVANIZED STEEL
ANGLE SUPPORT
SEE STRUCTURAL

01 FRONT VIEW
M2.1 SCALE: 1 1/2"-1'-0"



GALVANIZED
PROTECTION ANGLE

STAINLESS STEEL
CLEVIS HANGER

TANK SHUT
OFF VALVE

GALVANIZED
HSS SUPPORT

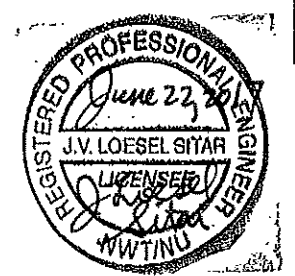
STAINLESS
STEEL U-BOLT

DRAIN VALVE

END CAP

GALVANIZED STEEL
SUPPORT ANGLE

02 SIDE VIEW
M2.1 SCALE: 1 1/2"-1'-0"



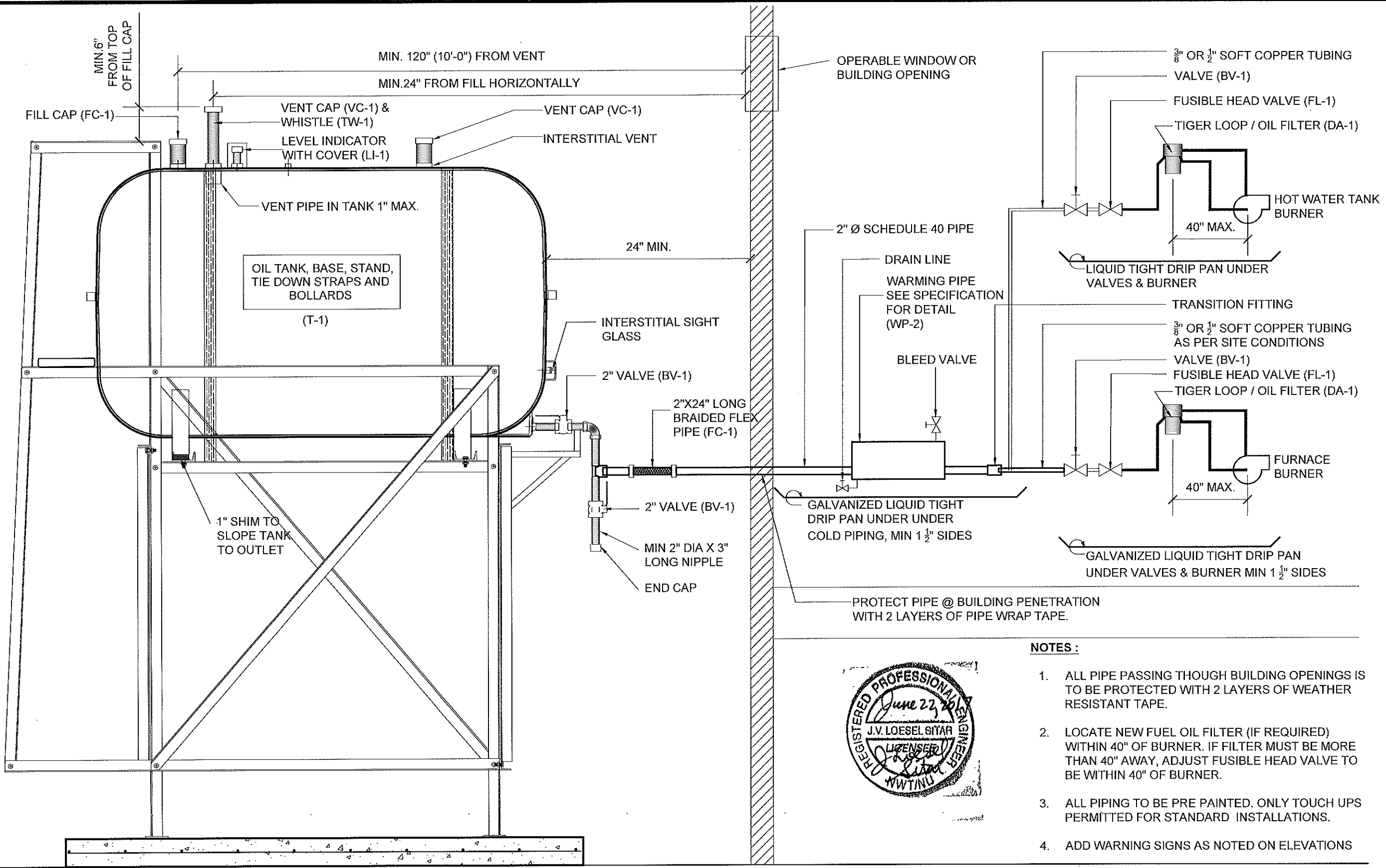
PROJECT TITLE:
RCMP "V" DIVISION OIL TANK REPLACEMENT - ARCTIC BAY
V009 - RESIDENCE, ARCTIC BAY
SHEET TITLE:
2" FUEL LINE SUPPORT DETAILS
PROJECT NUMBER:
16-028-14-30

00	ISSUED FOR TENDER	17 06 09	JLS
REV. #	REVISION	DATE (YY MM DD)	REV. BY

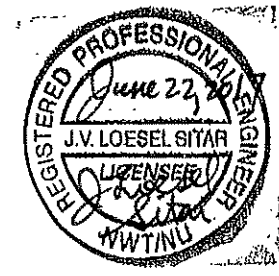
REV. #	REVISION	DATE (YY MM DD)	REV. BY
--------	----------	-----------------	---------

SCALE:
AS NOTED
DATE (YY MM DD):
17 06 09

DRAWING NUMBER:
M2.1
REVISION NUMBER:
00



- NOTES :**
1. ALL PIPE PASSING THOUGH BUILDING OPENINGS IS TO BE PROTECTED WITH 2 LAYERS OF WEATHER RESISTANT TAPE.
 2. LOCATE NEW FUEL OIL FILTER (IF REQUIRED) WITHIN 40" OF BURNER. IF FILTER MUST BE MORE THAN 40" AWAY, ADJUST FUSIBLE HEAD VALVE TO BE WITHIN 40" OF BURNER.
 3. ALL PIPING TO BE PRE PAINTED. ONLY TOUCH UPS PERMITTED FOR STANDARD INSTALLATIONS.
 4. ADD WARNING SIGNS AS NOTED ON ELEVATIONS



01 SCHEMATIC - TANK, PIPING & ACCESSORIES : ON STAND
M3.0 SCALE: NTS



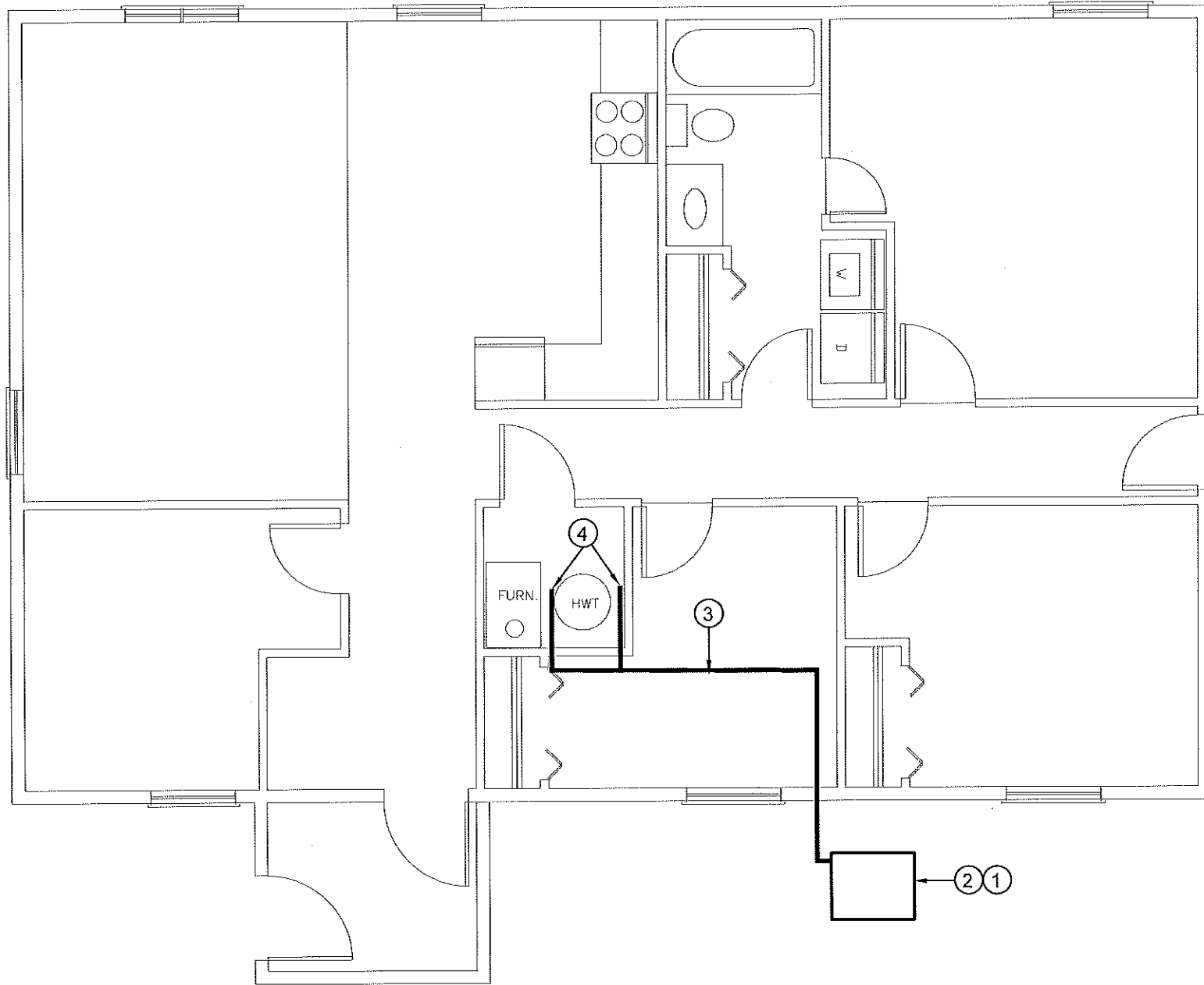
PROJECT TITLE:
RCMP "V" DIVISION OIL TANK REPLACEMENT - ARCTIC BAY
V009 - RESIDENCE, ARCTIC BAY
SHEET TITLE:
SCHEMATIC
PROJECT NUMBER:
16-028-14-30

00	ISSUED FOR TENDER	17 06 09	JLS
REV. #	REVISION	DATE (YY MM DD)	REV. BY

REV. #	REVISION	DATE (YY MM DD)	REV. BY
--------	----------	-----------------	---------

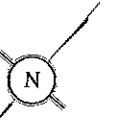
SCALE:
AS NOTED
DATE (YYMMDD):
17 06 09

DRAWING NUMBER:
M3.0
REVISION NUMBER:
00



DEMOLITION NOTES: #

1. REMOVE ALL FUEL FROM THE TANK AND DISPOSE OF AS PER LOCAL REGULATIONS.
2. REMOVE EXISTING ROTH 1000L OIL TANK AND PAD DISPOSE OF AS PER LOCAL REGULATIONS.
3. REMOVE ALL PIPING TO FURNACE AND HOT WATER TANK. DISPOSE AS PER REGULATIONS.
4. REMOVE EXISTING TIGER LOOP AND FUEL FILTERS ON EXISTING FURNACE AND HWT. DISPOSE AS PER REGULATIONS.



01 DEMOLITION PLAN
M1.0 SCALE: NTS



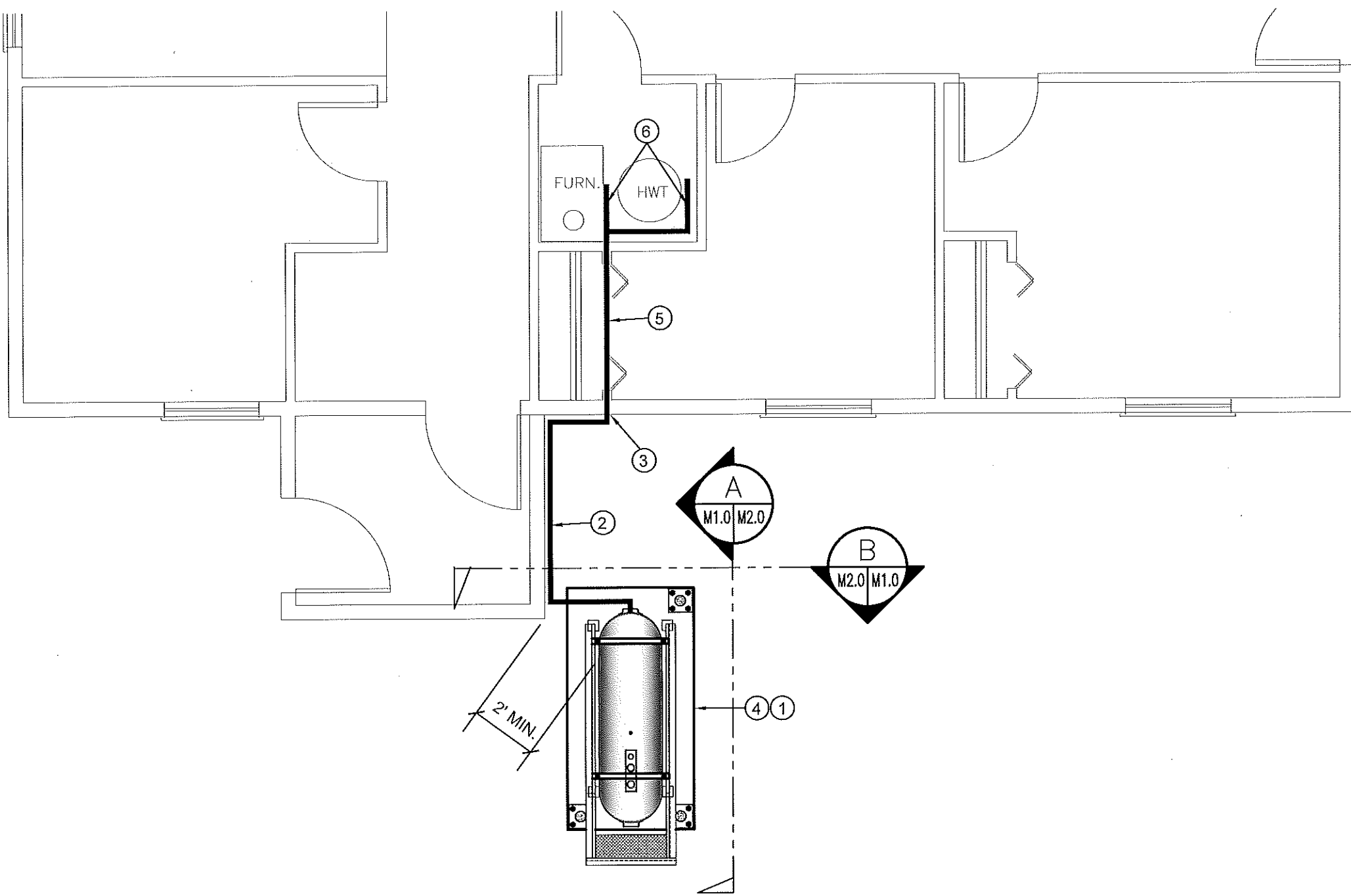
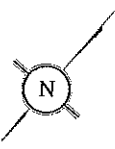
PROJECT TITLE:
RCMP "V" DIVISION OIL TANK REPLACEMENT - ARCTIC BAY
V100 - RESIDENCE, ARCTIC BAY NU
SHEET TITLE:
DEMOLITION PLAN
PROJECT NUMBER:
16-028-14-30

REV. #	REVISION	DATE (YY MM DD)	REV. BY
00	ISSUED FOR TENDER	17 06 09	JLS

REV. #	REVISION	DATE (YY MM DD)	REV. BY

SCALE:
AS NOTED
DATE (YY MM DD):
17 06 09

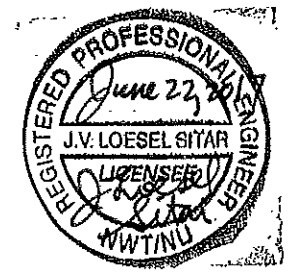
DRAWING NUMBER:
M1.0
REVISION NUMBER:
00



CONSTRUCTION NOTES: #

1. INSTALL NEW OIL TANK AND CONCRETE PAD IN NEW LOCATION.
2. PROVIDE SUPPORTS UNDER ALL PIPING FROM BOTTOM OF TANK
3. CAULK ENTRY INTO BUILDING.
4. INSTALL NEW OIL TANK STAND #3 - SEE STRUCTURAL FOR DETAILS.
5. INSTALL NEW 2" FUEL PIPE IN CRAWL SPACE. INSTALL NEW HANGERS AS PER SPECIFICATION (SUPPLY NEW ACCESS TO CRAWL SPACE NONE IS PRESENT AT THIS TIME.)
6. INSTALL NEW FUEL FILTER , FUSIBLE LINK, TIGER LOOP AND FUEL PIPING TO FURNACE AND HOT WATER TANK. SEE M3.0

01 CONSTRUCTION PLAN
 M1.1 SCALE: NTS



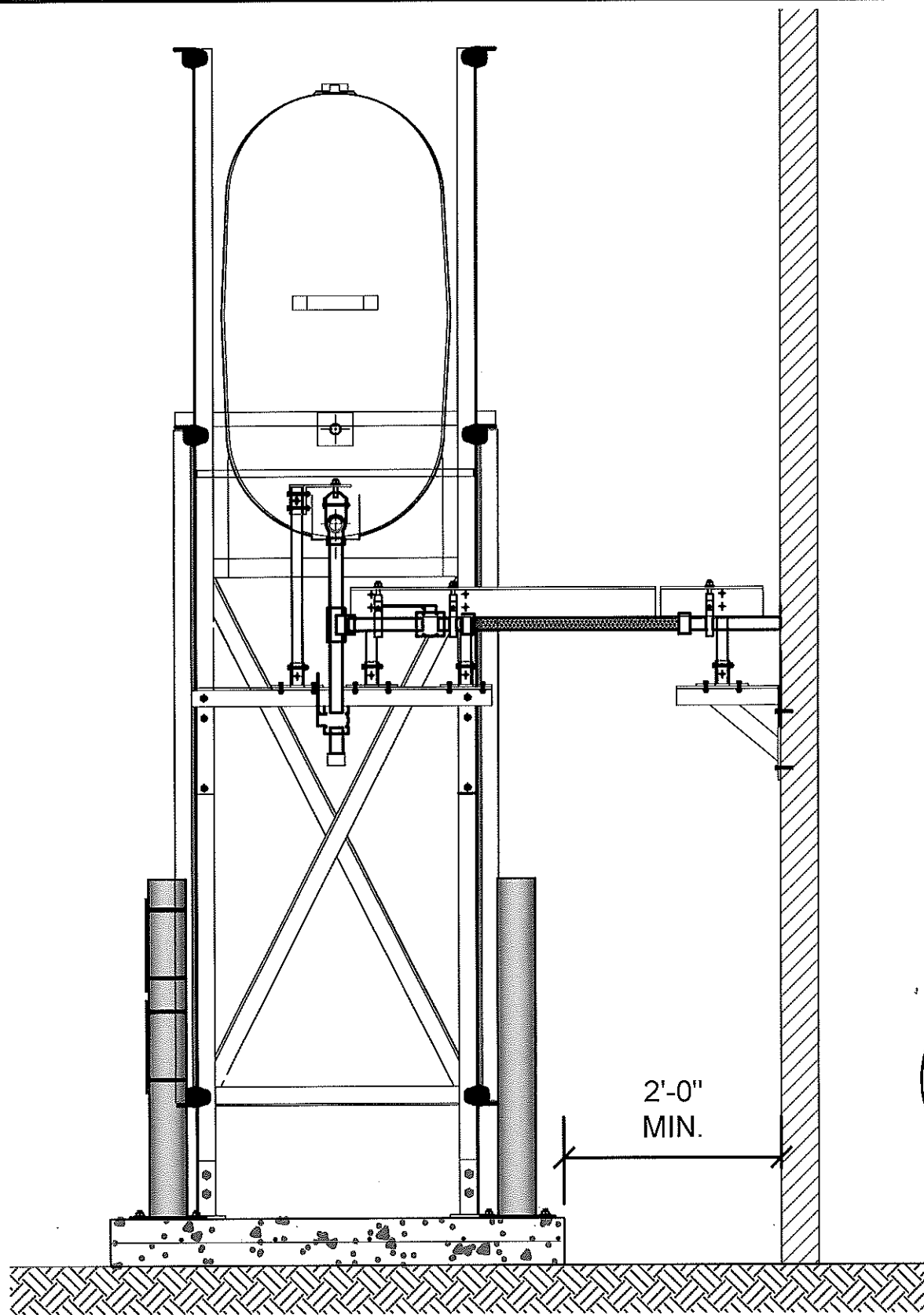
PROJECT TITLE:
 RCMP "V" DIVISION OIL TANK REPLACEMENT - ARCTIC BAY
 V100 - RESIDENCE, ARCTIC BAY NU
 SHEET TITLE:
 DEMOLITION AND CONSTRUCTION PLAN
 PROJECT NUMBER:
 16-028-14-30

00	ISSUED FOR TENDER	17 06 09	JLS
REV. #	REVISION	DATE (YY MM DD)	REV. BY

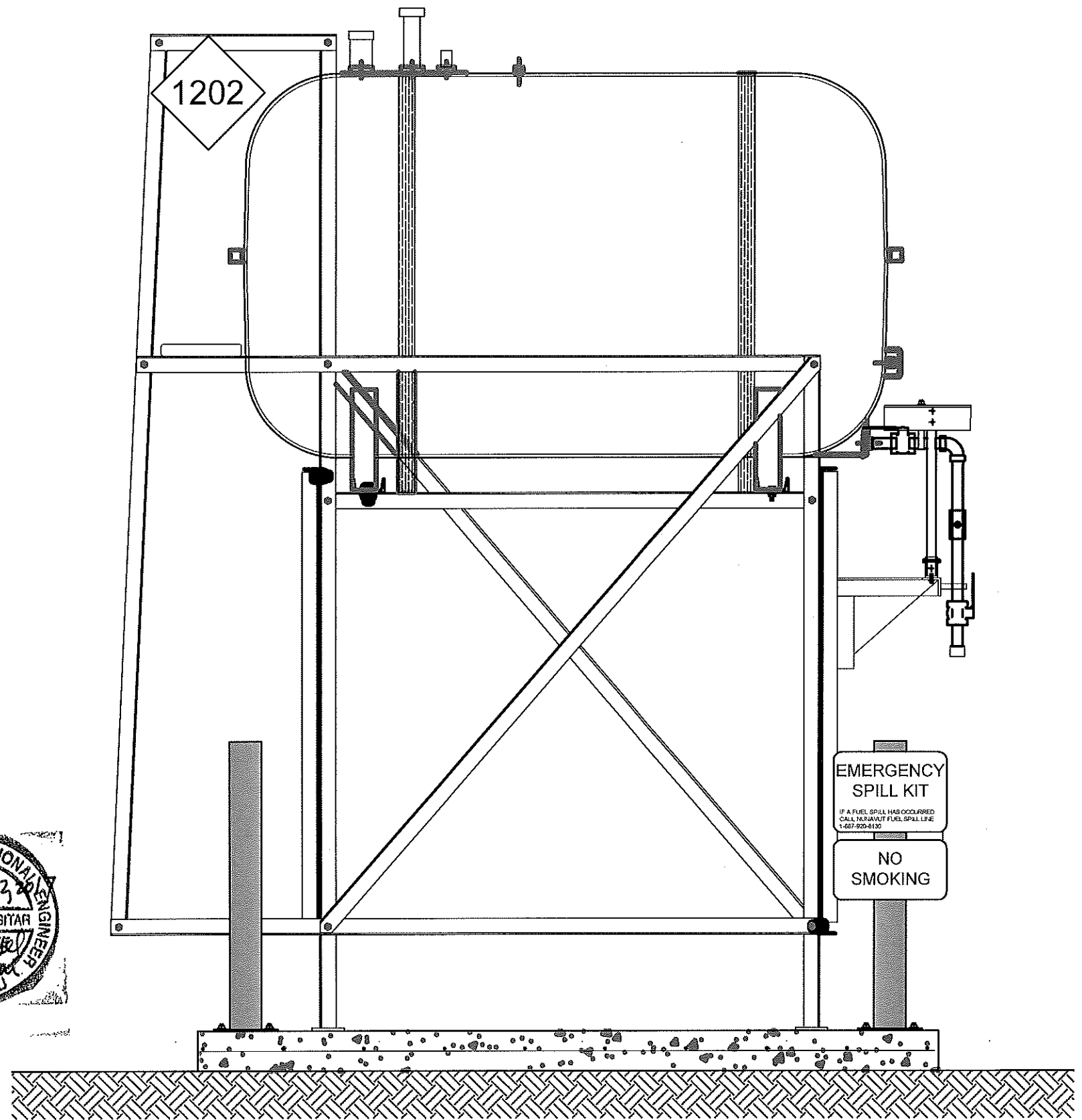
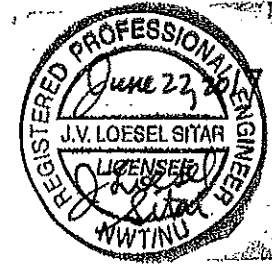
REV. #	REVISION	DATE (YY MM DD)	REV. BY
--------	----------	-----------------	---------

SCALE:
 AS NOTED
 DATE (YY MM DD):
 17 06 09

DRAWING NUMBER:
M1.1
 REVISION NUMBER:
 00



01 OIL TANK ELEVATION - A
M2.0 SCALE: 3/4"-1'-0"



02 OIL TANK ELEVATION - B
M2.0 SCALE: 3/4"-1'-0"



PROJECT TITLE:
RCMP "V" DIVISION OIL TANK REPLACEMENT - ARCTIC BAY
V100 - RESIDENCE, ARCTIC BAY NU
SHEET TITLE:
TANK ELEVATIONS
PROJECT NUMBER:
16-028-14-30

REV. #	REVISION	DATE (YY MM DD)	REV. BY
00	ISSUED FOR TENDER	17 06 09	JLS

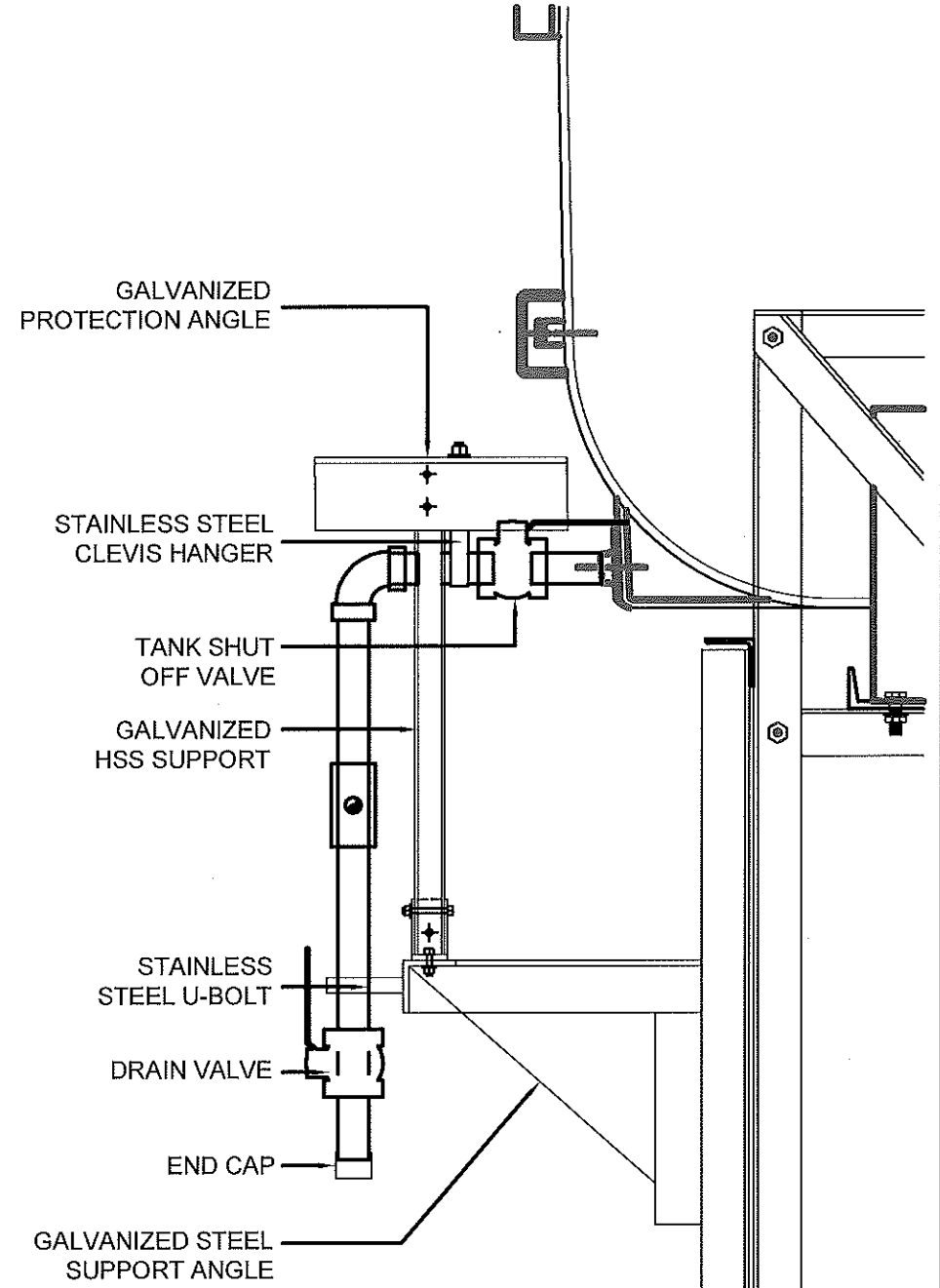
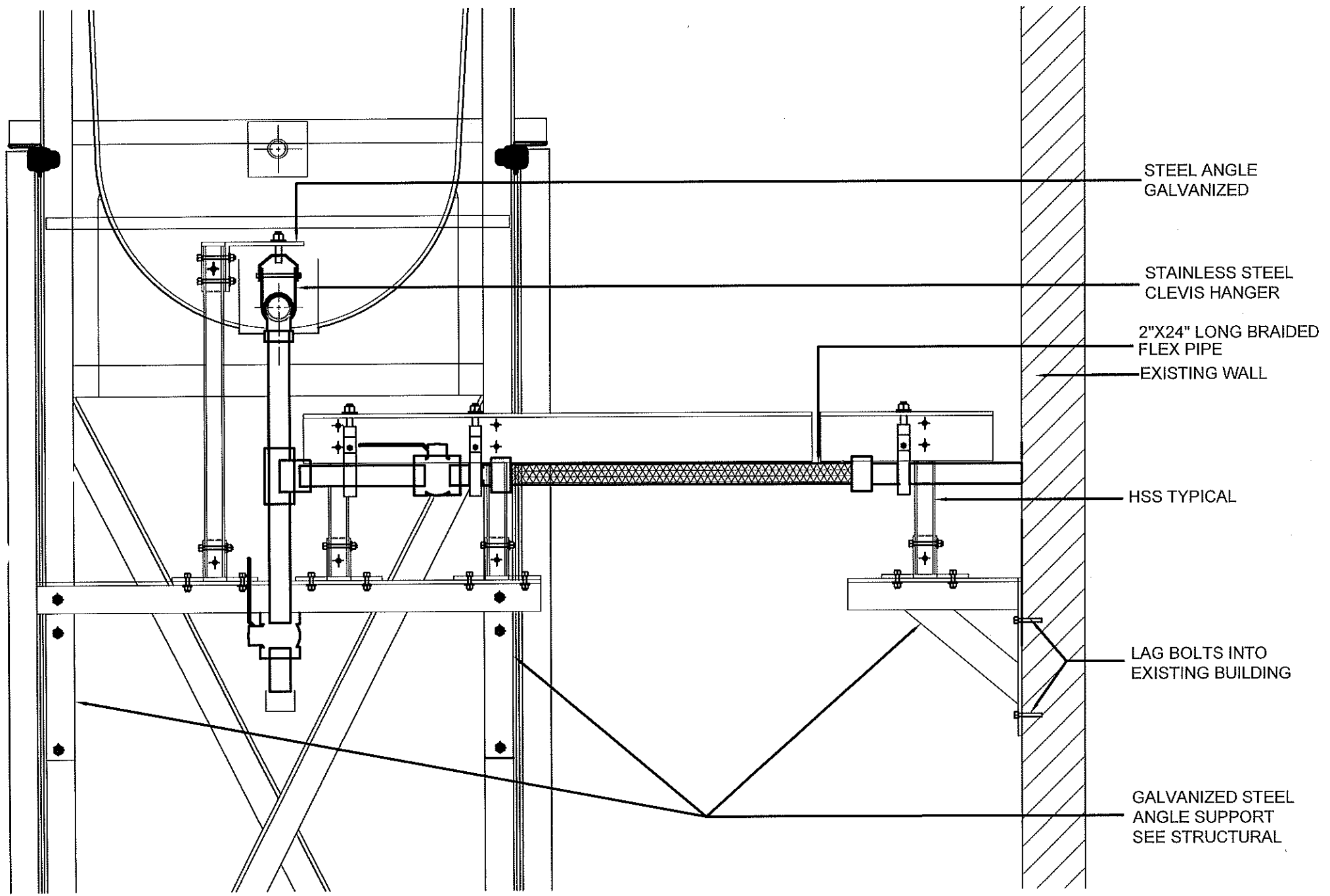
REV. #	REVISION	DATE (YY MM DD)	REV. BY

SCALE:
AS NOTED
DATE (YY MM DD):
17 06 09

DRAWING NUMBER:

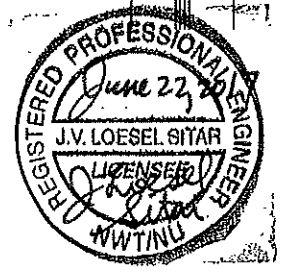
M2.0

REVISION NUMBER:
00



01 FRONT VIEW
M2.1 SCALE: 1 1/2"-1'-0"

02 SIDE VIEW
M2.1 SCALE: 1 1/2"-1'-0"



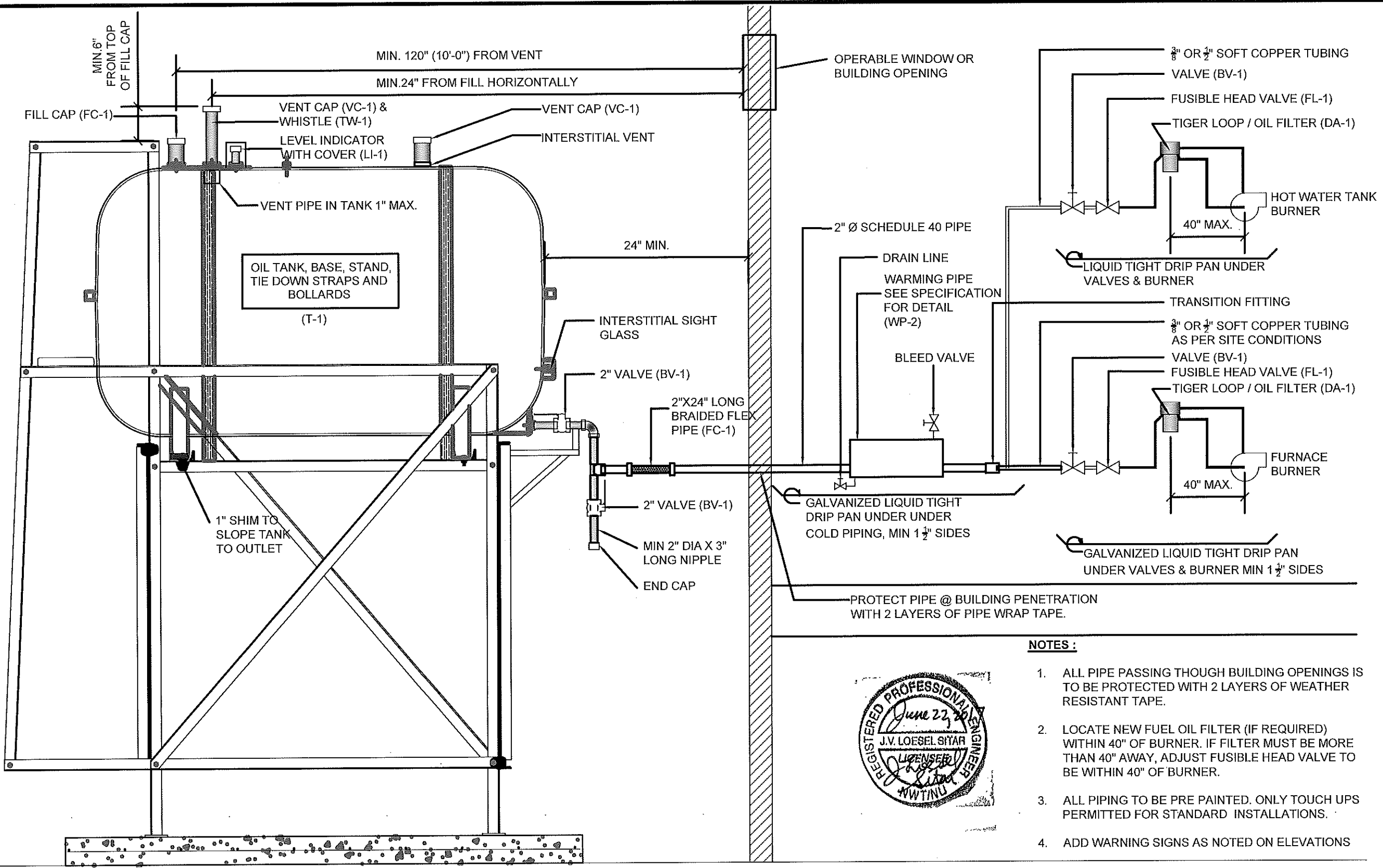
PROJECT TITLE:
RCMP "V" DIVISION OIL TANK REPLACEMENT - ARCTIC BAY NU
V100 - RESIDENCE, ARCTIC BAY NU
SHEET TITLE:
PIPE SUPPORT DETAILS
PROJECT NUMBER:
16-028-14-30

REV. #	REVISION	DATE (YY MM DD)	REV. BY
00	ISSUED FOR TENDER	17 06 09	JLS

REV. #	REVISION	DATE (YY MM DD)	REV. BY

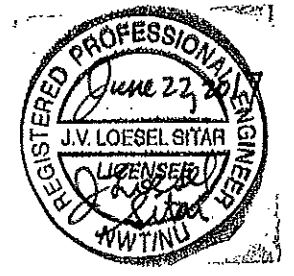
SCALE:
AS NOTED
DATE (YY MM DD):
17 06 09

DRAWING NUMBER:
M2.1
REVISION NUMBER:
00



NOTES :

1. ALL PIPE PASSING THOUGH BUILDING OPENINGS IS TO BE PROTECTED WITH 2 LAYERS OF WEATHER RESISTANT TAPE.
2. LOCATE NEW FUEL OIL FILTER (IF REQUIRED) WITHIN 40" OF BURNER. IF FILTER MUST BE MORE THAN 40" AWAY, ADJUST FUSIBLE HEAD VALVE TO BE WITHIN 40" OF BURNER.
3. ALL PIPING TO BE PRE PAINTED. ONLY TOUCH UPS PERMITTED FOR STANDARD INSTALLATIONS.
4. ADD WARNING SIGNS AS NOTED ON ELEVATIONS



01 SCHEMATIC - TANK, PIPING & ACCESSORIES : ON STAND
M3.0 SCALE: NTS



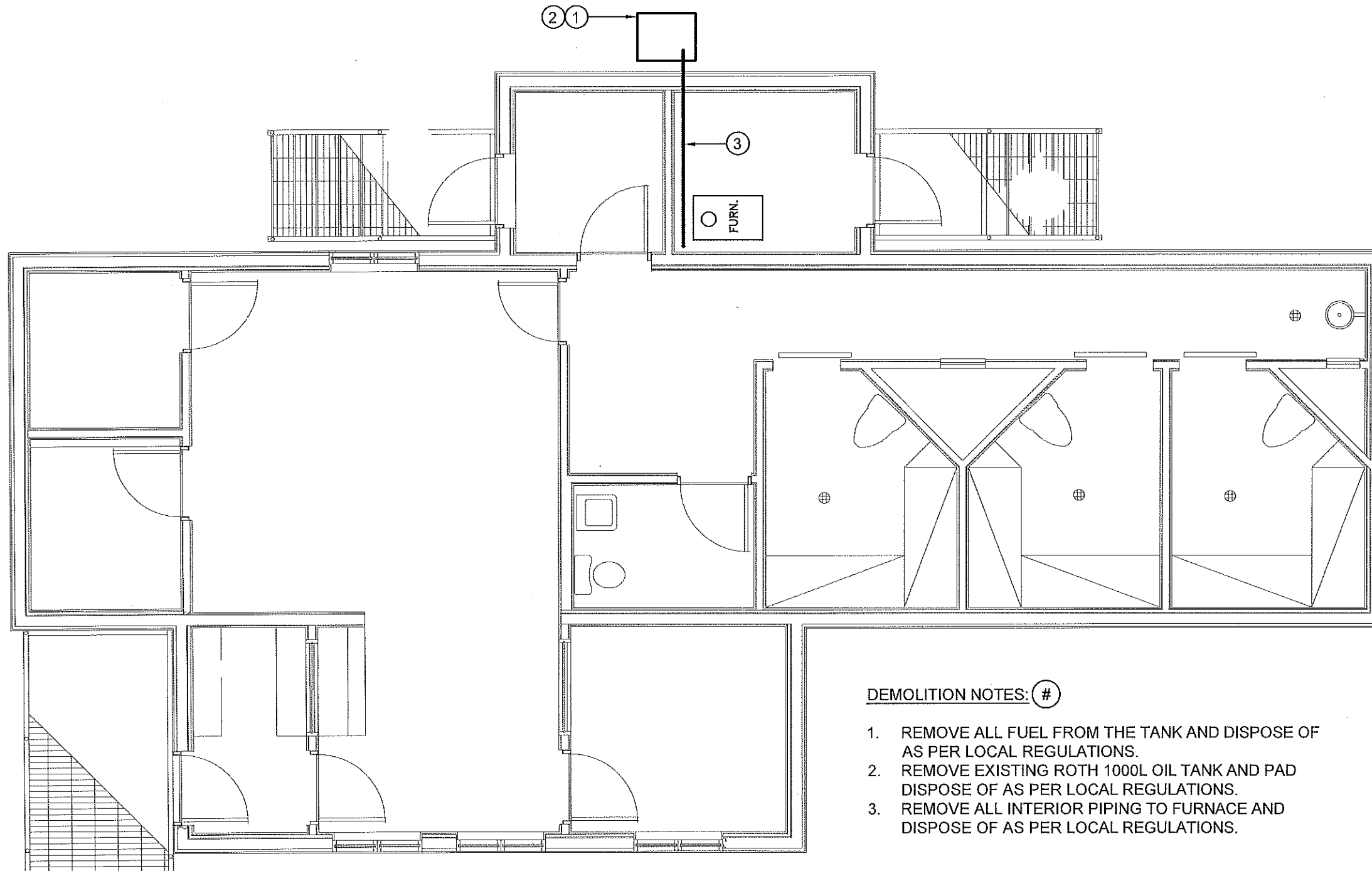
PROJECT TITLE:
RCMP "V" DIVISION OIL TANK REPLACEMENT - ARCTIC BAY
V100 - RESIDENCE, ARCTIC BAY NU
SHEET TITLE:
SCHEMATIC - TANK, PIPING & ACCESSORIES
PROJECT NUMBER:
16-028-14-30

00	ISSUED FOR TENDER	17 06 09	JLS
REV. #	REVISION	DATE (YY MM DD)	REV. BY

REV. #	REVISION	DATE (YY MM DD)	REV. BY
--------	----------	-----------------	---------

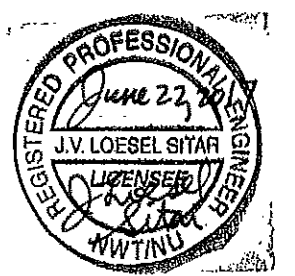
SCALE:
AS NOTED
DATE (YY MM DD):
17 06 09

DRAWING NUMBER:
M3.0
REVISION NUMBER:
00



DEMOLITION NOTES: #

- 1. REMOVE ALL FUEL FROM THE TANK AND DISPOSE OF AS PER LOCAL REGULATIONS.
- 2. REMOVE EXISTING ROTH 1000L OIL TANK AND PAD DISPOSE OF AS PER LOCAL REGULATIONS.
- 3. REMOVE ALL INTERIOR PIPING TO FURNACE AND DISPOSE OF AS PER LOCAL REGULATIONS.



01 DEMOLITION PLAN
 M1.0 SCALE: NTS



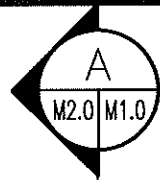
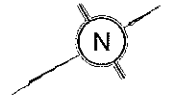
PROJECT TITLE:
 RCMP "V" DIVISION OIL TANK REPLACEMENT - ARCTIC BAY
 V102 - FACILITY BUILDING, ARCTIC BAY NU
 SHEET TITLE:
 DEMOLITION PLAN
 PROJECT NUMBER:
 16-028-14-30

00	ISSUED FOR TENDER	17 06 09	JLS
REV. #	REVISION	DATE (YY MM DD)	REV. BY

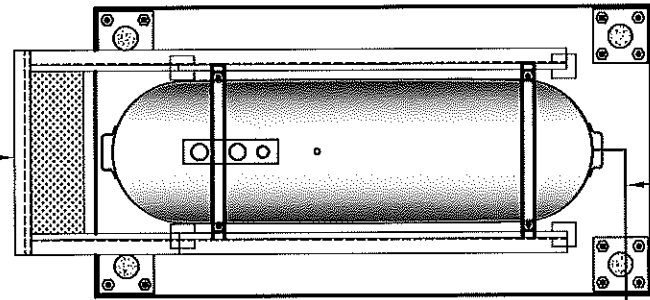
REV. #	REVISION	DATE (YY MM DD)	REV. BY
--------	----------	-----------------	---------

SCALE:
 AS NOTED
 DATE (YY MM DD):
 17 06 09

DRAWING NUMBER:
M1.0
 REVISION NUMBER:
 00



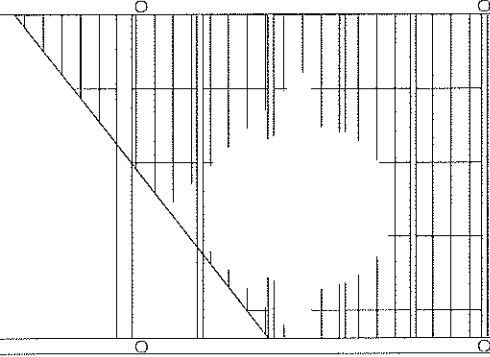
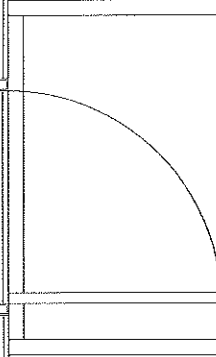
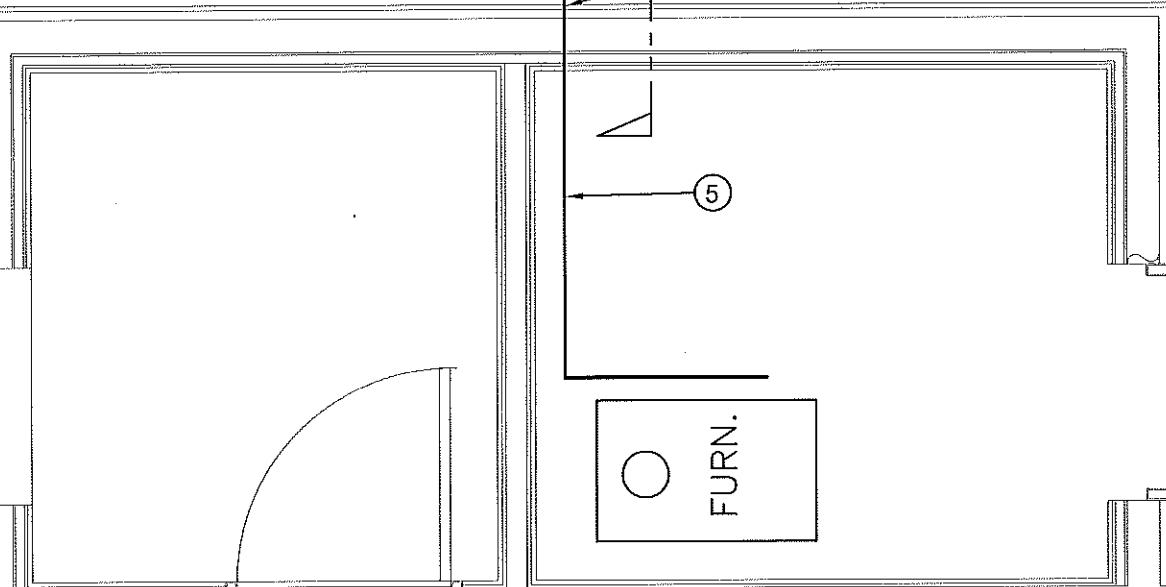
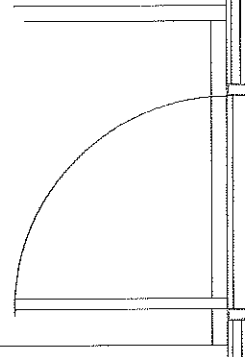
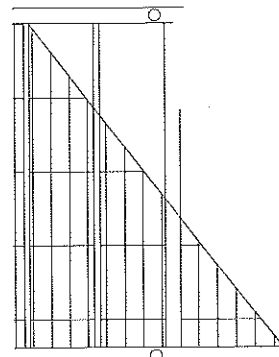
4 1



2

3

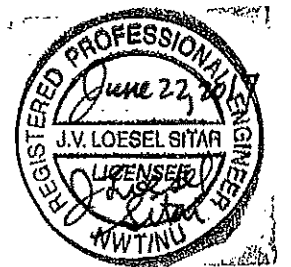
5



CONSTRUCTION NOTES: #

1. INSTALL NEW OIL TANK, STAND AND CONCRETE PAD.
2. PROVIDE SUPPORTS UNDER ALL PIPING FROM BOTTOM OF TANK.
3. CAULK ENTRY INTO BUILDING.
4. INSTALL NEW OIL TANK #3 SEE STRUCTURAL FOR DETAILS.
5. INSTALL NEW PIPING AND SECURE TO FLOOR SEE M3.0.

01 CONSTRUCTION PLAN
M1.1 SCALE: NTS



PROJECT TITLE:
RCMP "V" DIVISION OIL TANK REPLACEMENT - ARCTIC BAY
V102 - FACILITY BUILDING, ARCTIC BAY NU

SHEET TITLE:
CONSTRUCTION PLAN

PROJECT NUMBER:
16-028-14-30

00	ISSUED FOR TENDER	17 06 09	JLS
REV. #	REVISION	DATE (YY MM DD)	REV. BY

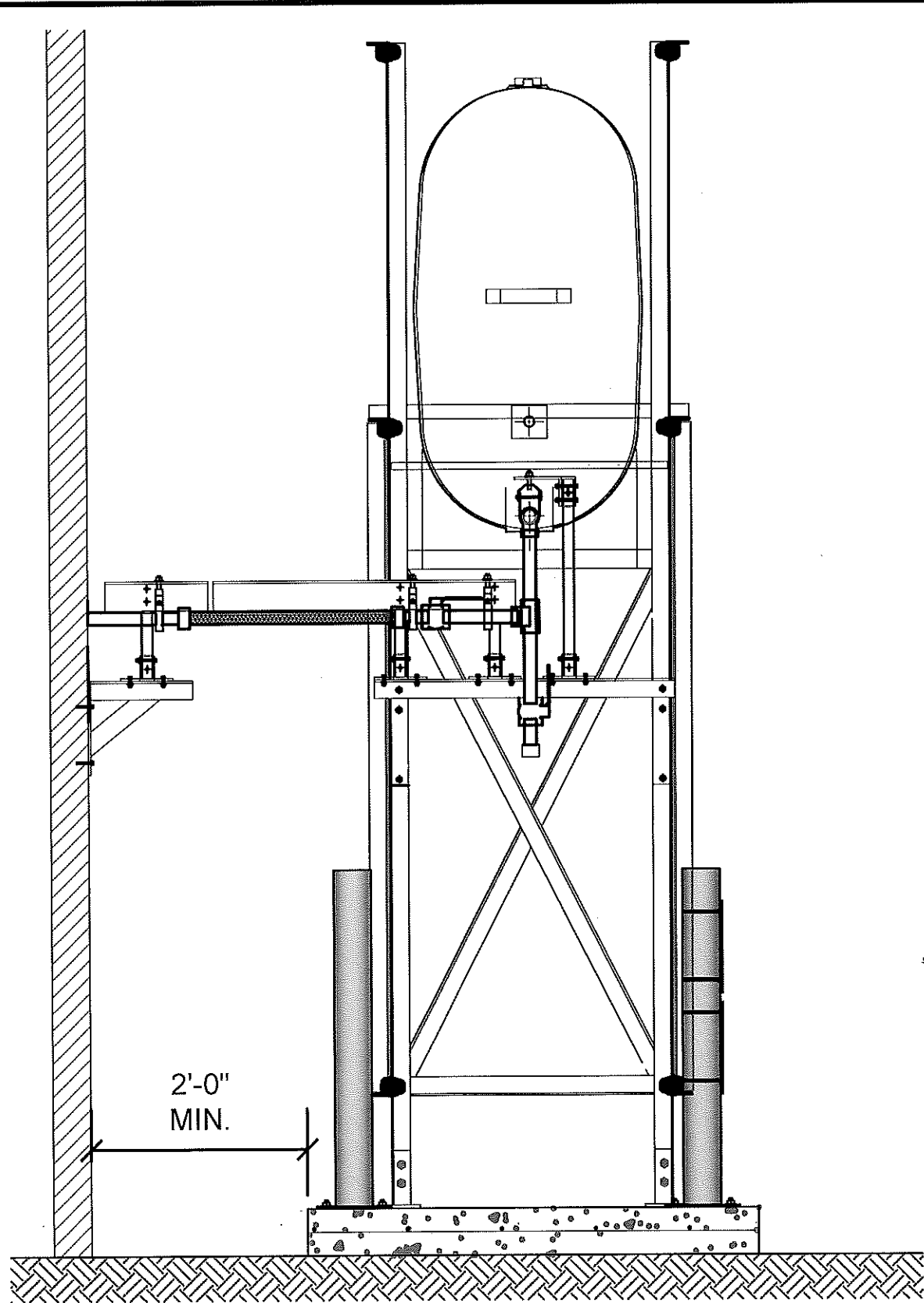
REV. #	REVISION	DATE (YY MM DD)	REV. BY
--------	----------	-----------------	---------

SCALE:
AS NOTED

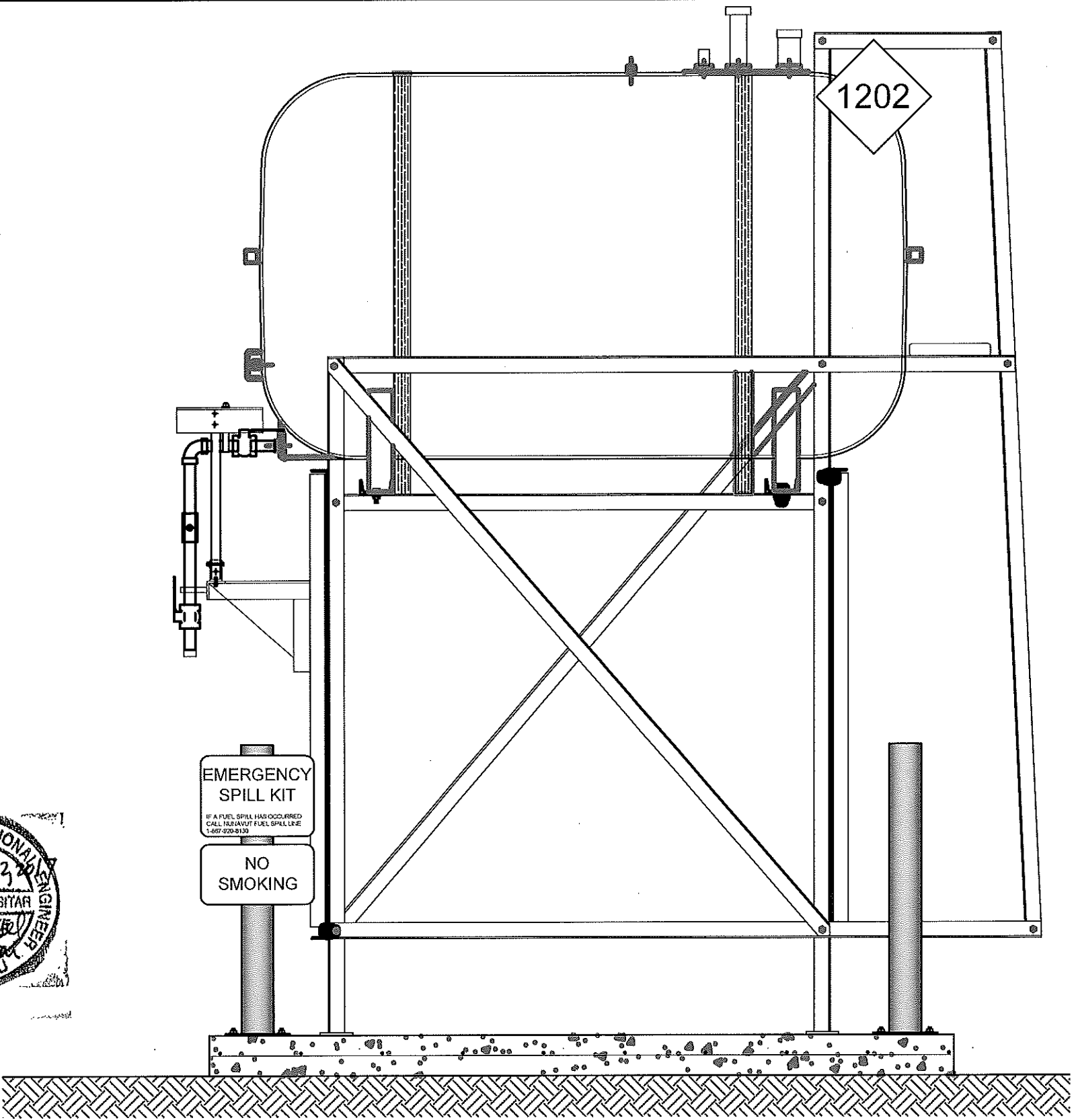
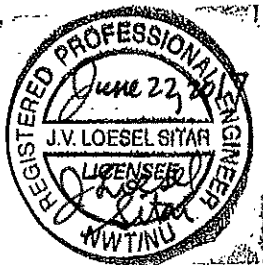
DATE (YY MM DD):
17 06 09

DRAWING NUMBER:
M1.1

REVISION NUMBER:
00



01 OIL TANK ELEVATION - A
M2.0 SCALE: 3/4"=1'-0"



02 OIL TANK ELEVATION - B
M2.0 SCALE: 3/4"=1'-0"



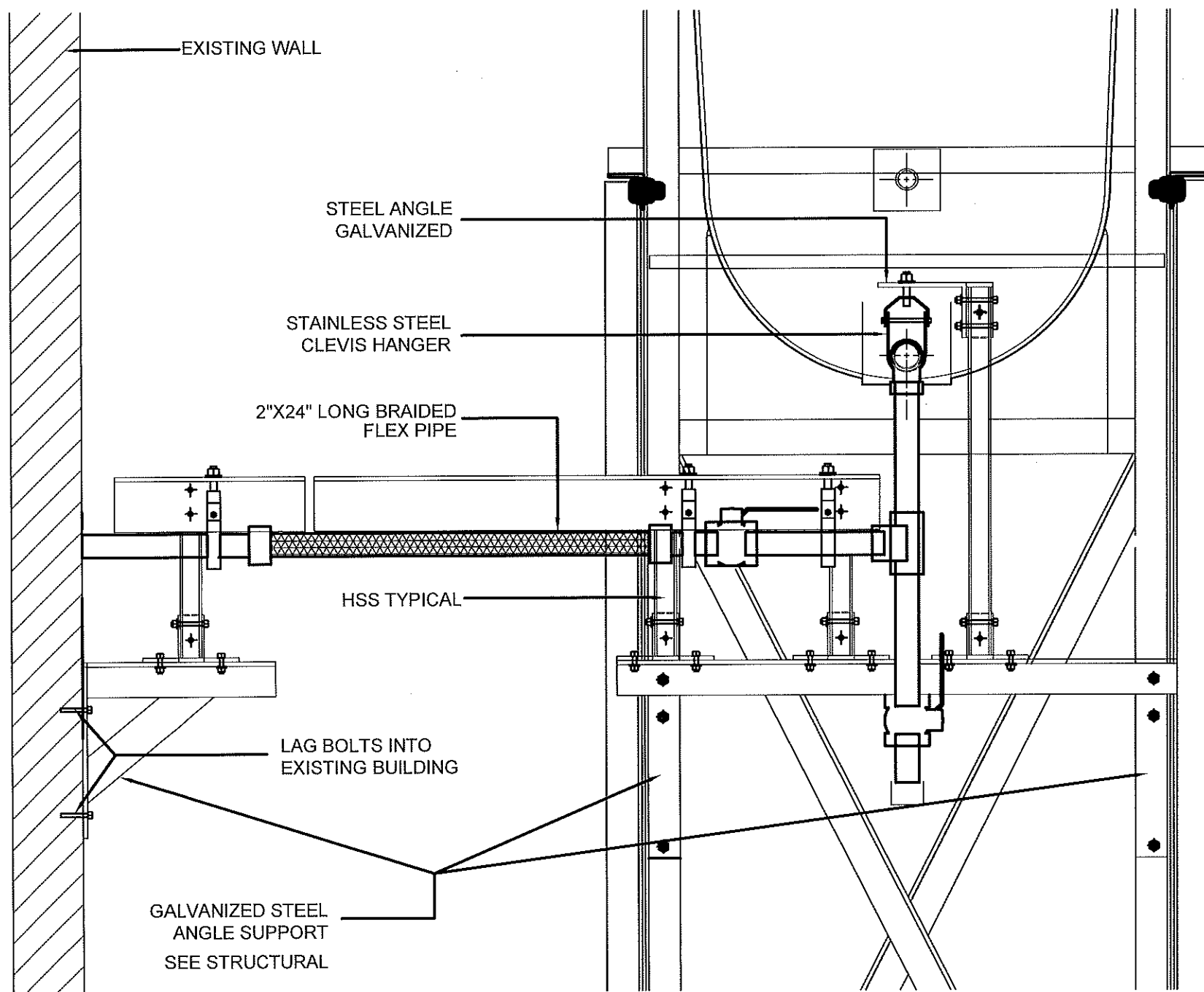
PROJECT TITLE:
RCMP "V" DIVISION OIL TANK REPLACEMENT - ARCTIC BAY
V102 - FACILITY BUILDING, ARCTIC BAY NU
SHEET TITLE:
TANK ELEVATIONS
PROJECT NUMBER:
16-028-14-30

00	ISSUED FOR TENDER	17 06 09	JLS
REV. #	REVISION	DATE (YY MM DD)	REV. BY

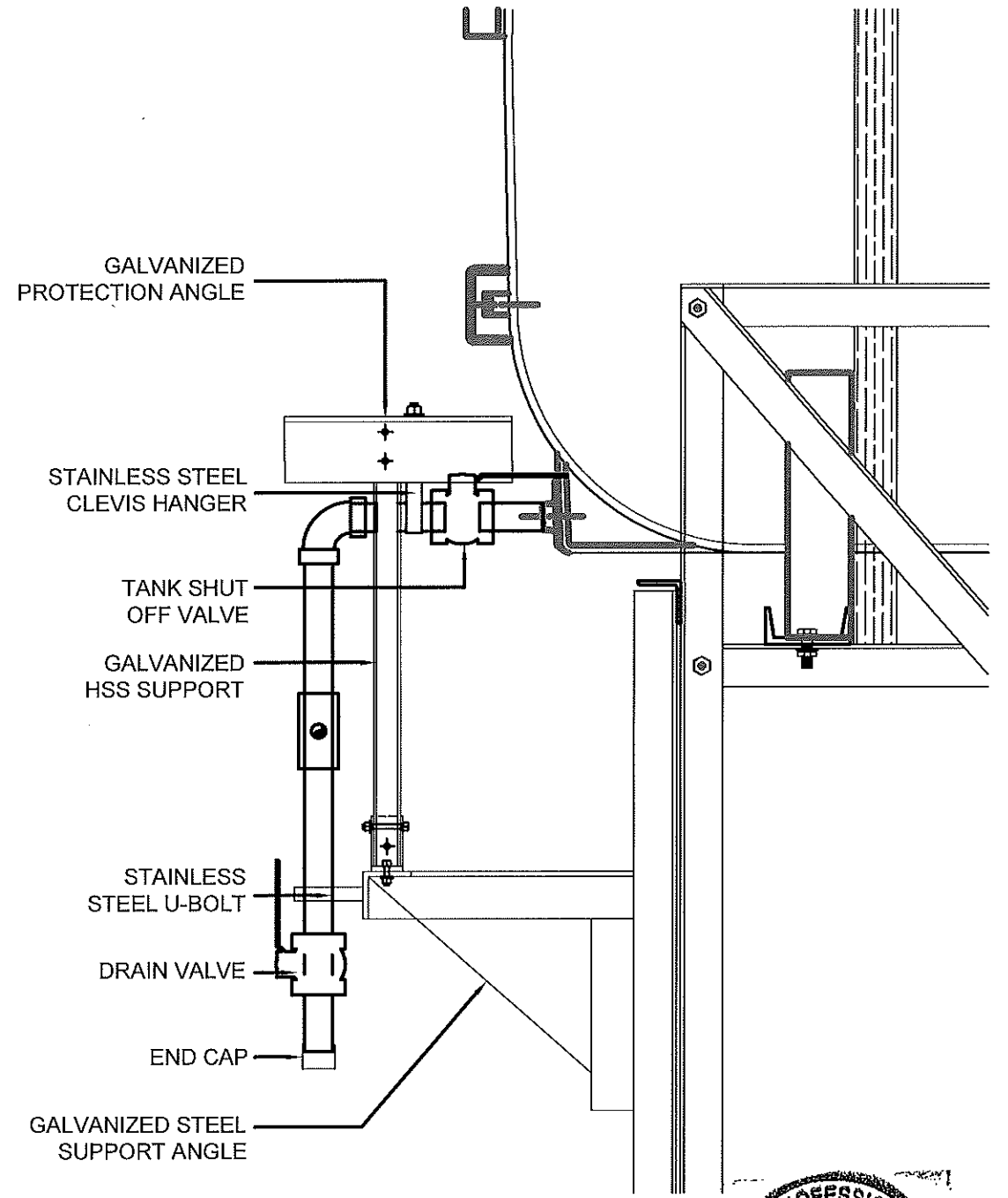
REV. #	REVISION	DATE (YY MM DD)	REV. BY
--------	----------	-----------------	---------

SCALE:
AS NOTED
DATE (YY MM DD):
17 06 09

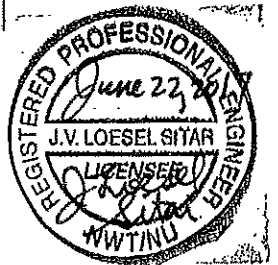
DRAWING NUMBER:
M2.0
REVISION NUMBER:
00



01 FRONT VIEW
M2.1 SCALE: 1 1/2"-1'-0"



02 SIDE VIEW
M2.1 SCALE: 1 1/2"-1'-0"



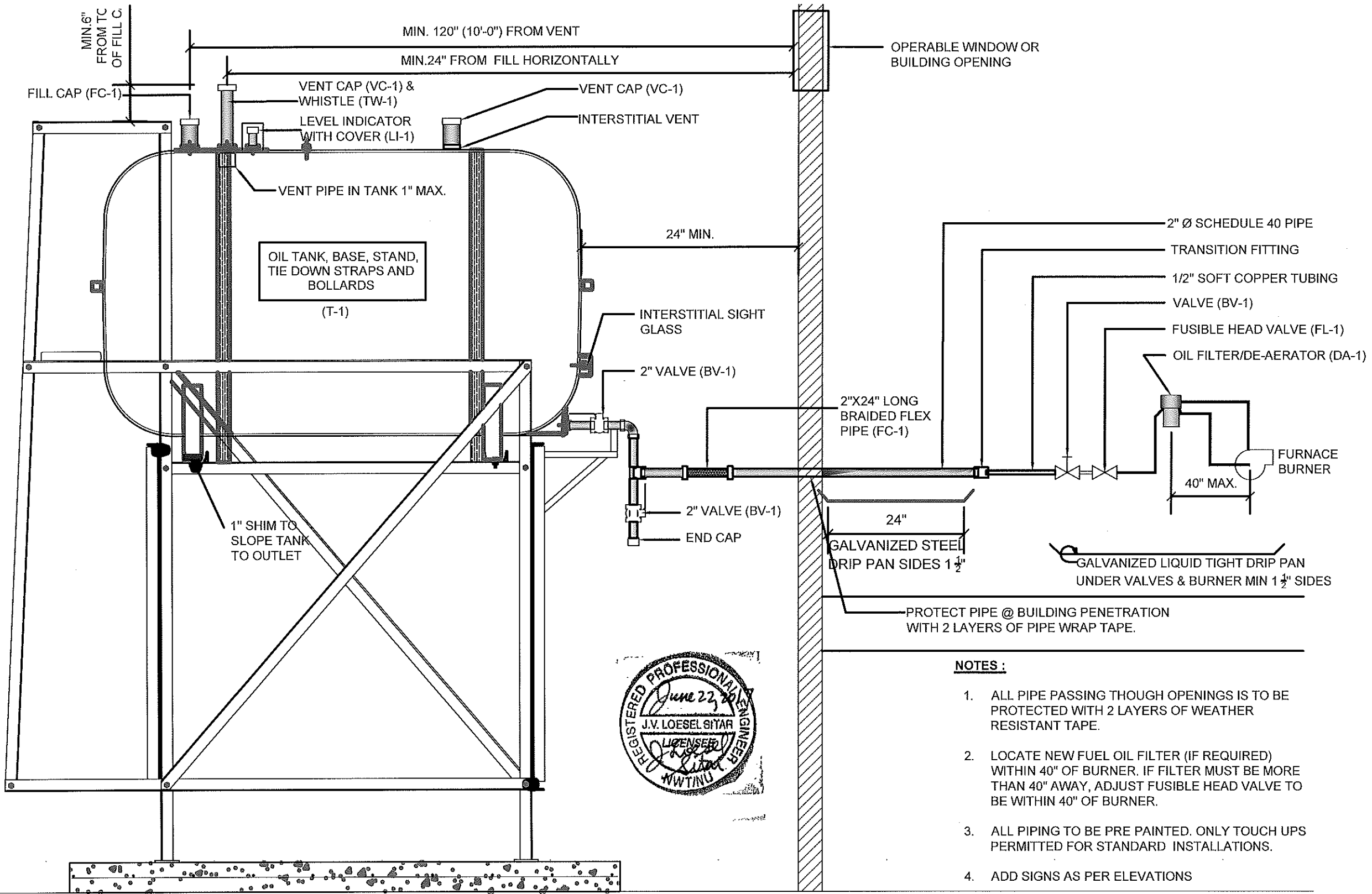
PROJECT TITLE:
RCMP "V" DIVISION OIL TANK REPLACEMENT - ARCTIC BAY
V102 - FACILITY BUILDING, ARCTIC BAY NU
SHEET TITLE:
2" FUEL LINE SUPPORT DETAIL
PROJECT NUMBER:
16-028-14-30

REV. #	REVISION	DATE (YY MM DD)	REV. BY
00	ISSUED FOR TENDER	17 06 09	JLS

REV. #	REVISION	DATE (YY MM DD)	REV. BY

SCALE:
AS NOTED
DATE (YY MM DD):
17 06 09

DRAWING NUMBER:
M2.1
REVISION NUMBER:
00



- NOTES :**
1. ALL PIPE PASSING THOUGH OPENINGS IS TO BE PROTECTED WITH 2 LAYERS OF WEATHER RESISTANT TAPE.
 2. LOCATE NEW FUEL OIL FILTER (IF REQUIRED) WITHIN 40" OF BURNER. IF FILTER MUST BE MORE THAN 40" AWAY, ADJUST FUSIBLE HEAD VALVE TO BE WITHIN 40" OF BURNER.
 3. ALL PIPING TO BE PRE PAINTED. ONLY TOUCH UPS PERMITTED FOR STANDARD INSTALLATIONS.
 4. ADD SIGNS AS PER ELEVATIONS

01 SCHEMATIC - TANK, PIPING & ACCESSORIES : ON STAND
M3.0 SCALE: NTS



PROJECT TITLE:
RCMP "V" DIVISION OIL TANK REPLACEMENT - ARCTIC BAY
V102 - FACILITY BUILDING, ARCTIC BAY NU
SHEET TITLE:
SCHEMATIC - TANK, PIPING & ACCESSORIES
PROJECT NUMBER:
16-028-14-30

00	ISSUED FOR TENDER	17 06 09	JLS
REV. #	REVISION	DATE (YY MM DD)	REV. BY

REV. #	REVISION	DATE (YY MM DD)	REV. BY
--------	----------	-----------------	---------

SCALE:
AS NOTED
DATE (YY MM DD):
17 06 09

DRAWING NUMBER:
M3.0
REVISION NUMBER:
00

GENERAL NOTES:

- DO NOT SCALE DRAWINGS.
- COORDINATE AND VERIFY ALL DIMENSIONS WITH ARCHITECTURAL DRAWINGS PRIOR TO COMMENCING CONSTRUCTION.
- SEE ARCHITECTURAL DRAWINGS FOR ELEVATIONS, SLOPES, ROUGH OPENING DIMENSIONS FOR WINDOWS, DOORS, ETC.
- SEE MECHANICAL AND ELECTRICAL DRAWINGS FOR OPENINGS IN FLOORS, ROOF, WALLS, ETC.
- DO NOT CUT OR DRILL OPENINGS IN ANY STRUCTURAL MEMBERS WITHOUT WRITTEN APPROVAL FROM BEACH ROCKE ENGINEERING LTD.
- BEACH ROCKE ENGINEERING LTD. SHALL BE NOTIFIED AT LEAST 48 HOURS IN ADVANCE OF REQUIRED SITE INSPECTIONS. (TEL: 1-204-255-7251, FAX: 1-204-257-7239).
- STRUCTURAL DRAWINGS SHOW THE COMPLETED STRUCTURE. THEY DO NOT SHOW COMPONENTS WHICH MAY BE NECESSARY FOR SAFETY DURING CONSTRUCTION. THE CONTRACTOR IS RESPONSIBLE FOR CONSTRUCTION SITE SAFETY AND TO ENSURE THAT ALL SUBTRADES CONFORM TO THE LATEST REGULATIONS OF THE PROVINCIAL "BUILDING PROTECTION ACT", TO PROVIDE ALL NECESSARY SAFETY EQUIPMENT AS REQUIRED THEREIN AND TO NOTIFY LOCAL AUTHORITIES AS REQUIRED BY LAW.
- THE CONTRACTOR SHALL CONFORM TO THE COLD WEATHER REQUIREMENTS OF THE CSA STANDARD A23.1/A23.2 AND THE NATIONAL BUILDING CODE.
- IT IS THE GENERAL CONTRACTORS RESPONSIBILITY TO LOCATE ALL SITE SERVICES PRIOR TO CONSTRUCTION.
- THE GENERAL CONTRACTOR SHALL DESIGN ALL SHORING, FORM WORK, AND BRACING TO ENSURE PROPER CONSTRUCTION AND ERECTION.
- THE CONTRACTOR SHALL VISIT THE SITE, AND NOTE ALL CHARACTERISTICS AND IRREGULARITIES AFFECTING THE WORK OF THIS SECTION.
- SHOP DRAWINGS NOT STAMPED, SIGNED, AND DATED BY THE CONTRACTOR WILL BE RETURNED AND SHALL BE CONSIDERED REJECTED. SHOP DRAWINGS FOR WORK DESIGNED BY THE CONTRACTOR SHALL BEAR THE SEAL AND SIGNATURE OF A QUALIFIED PROFESSIONAL ENGINEER IN THE PROJECTS PROVINCE.
- THE CONTRACTOR SHALL SUBMIT AT LEAST 3 COPIES OF STAMPED SHOP DRAWINGS FOR ALL PRE-FABRICATED STRUCTURAL ASSEMBLIES, INCLUDING REINFORCING STEEL TO BEACH ROCKE ENGINEERING LTD. FOR REVIEW AND APPROVAL PRIOR TO FABRICATION. ALL SHOP DRAWINGS, EXCEPT REINFORCING STEEL, SHALL BEAR THE SEAL OF AN ENGINEER REGISTERED IN THE PROJECTS PROVINCE.

SLAB-ON-GRADE NOTES:

- ALL SLAB-ON-GRADE WILL EXPERIENCE MOVEMENT AND CRACKING DUE TO HEAVING AND SOIL EXPANSION RESULTING FROM THE NATURE OF THE CLAY SOIL, PREVIOUS AND PRESENT LEVEL OF VEGETATION AT THE SITE, SOIL MOISTURE LEVEL AND CONSTRUCTION PRACTICES. BEACH ROCKE ENGINEERING LTD. ACCEPTS NO LIABILITY FOR THIS CRACKING AND /OR MOVEMENT.

CONCRETE NOTES:

- CONCRETE SHALL BE MANUFACTURED AND PLACED IN ACCORDANCE WITH THE CSA STANDARDS A23.1-09/A23.2-09.
- THE CONTRACTOR SHALL PROVIDE ONE SET OF STANDARD CONCRETE CYLINDER TEST RESULTS CONDUCTED BY AN INDEPENDENT TESTING FIRM FOR EACH DAYS POUR AND AN ADDITIONAL SET OF CYLINDERS FOR EVERY 50 CUBIC METERS POURED AT NO EXTRA COST TO THE OWNER. TEST RESULTS ARE TO BE FORWARDED TO BEACH ROCKE ENGINEERING LTD. IMMEDIATELY UPON RECEIPT FROM THE TESTING FIRM.
- PROVIDE A MINIMUM 150mm (6") VOID UNDER ALL BEAMS, WALLS AND STRUCTURAL SLABS. VOID TO BE SHEARMAT OR APPROVED CARDBOARD VOIDFORM.
- VIBRATE ALL CONCRETE TO ENSURE COMPLETE CONSOLIDATION.
- THE LOCATIONS OF CONSTRUCTION JOINTS IS THE RESPONSIBILITY OF THE CONTRACTOR AND SHALL BE APPROVED BY BEACH ROCKE ENGINEERING LTD.
- WHEN THE OUTSIDE TEMPERATURE FALLS BELOW 5 DEGREES CENTIGRADE, THE CONTRACTOR SHALL CONFORM TO CSA STANDARD A23.1-09/A23.2-09 AND THE NATIONAL BUILDING CODE FOR COLD WEATHER CONCRETING PROCEDURES, AND SHALL RECEIVE WRITTEN APPROVAL FROM BEACH ROCKE ENGINEERING LTD. PRIOR TO COMMENCING CONCRETE CONSTRUCTION.
- PROVIDE 1/2" x 1" SAW CUTS AT 20' O.C. BOTH WAYS IN FLOOR SLABS UNLESS OTHERWISE NOTED ON DRAWINGS.
- CONCRETE SHALL CONFORM TO THE FOLLOWING:

NAME	CONC. TYPE	STRENGTH	MAX. AGG.	SLUMP(MAX) AIR	EXPOSURE CLASS
SLABS	TYPE 10	32MPA @ 28 DAYS	20mm	120mm 5-8%	C-2

REINFORCING STEEL NOTES:

- REINFORCING STEEL SHALL BE NEW BILLET DEFORMED BARS MANUFACTURED AND DETAILED IN ACCORDANCE WITH CAN/CSA-G30.18-M92, WITH MINIMUM YIELD STRENGTH AS FOLLOWS: 10M BARS-300MPA, 15M BARS & LARGER - 400MPA.
- REINFORCING STEEL SHALL BE FREE FROM LOOSE RUST, MUD, OIL OR OTHER COATINGS WHICH MAY REDUCE THE BOND OR HARM THE CONCRETE.
- REINFORCING STEEL SHALL BE HELD IN PLACE AND TIED WITH PROPER ACCESSORIES SUCH AS HI-CHAIRS, SPACERS, TIES, ETC. SUPPLIED BY THE REINFORCING STEEL PROVIDER. APPROPRIATE SUPPORT SHALL BE PROVIDED UNDER ALL SUPPORT ACCESSORIES TO ENSURE THAT THE REINFORCING STEEL IS ACCURATELY POSITIONED.
- LAP TOP BARS AT MID-SPAN AND BOTTOM BARS OVER SUPPORTS.
- BEND ALL HORIZONTAL STEEL 18" AROUND CORNERS, OR USE EXTRA 36"x36" CORNER BARS TO MATCH HORIZONTALS.
- PROVIDE 2-15M AROUND ALL SLAB, WALL, & BEAM OPENINGS, UNLESS OTHERWISE NOTED ON STRUCTURAL DRAWINGS.
- CONCRETE COVER TO REINFORCING STEEL SHALL BE AS FOLLOWS:
 - CONCRETE CAST IN DIRECT CONTACT WITH SOIL - 75mm (3")
 - FORMED CONCRETE IN CONTACT WITH SOIL 15M OR SMALLER - 50mm (2")
 - FORMED CONCRETE IN CONTACT WITH SOIL 20M OR LARGER - 40mm (1 1/2")
 - FORMED CONCRETE NOT IN CONTACT WITH SOIL (BEAMS AND COLUMNS) - 40mm (1 1/2")
 - FORMED CONCRETE NOT IN CONTACT WITH SOIL (SLABS AND WALLS) - 20mm (3/4")
- MISCELLANEOUS CONCRETE HOUSEKEEPING PADS AND CURBS SHALL BE REINFORCED WITH A MINIMUM 10M AT 18" O.C. EACH WAY UNLESS NOTED. SEE ARCHITECTURAL, MECHANICAL, AND ELECTRICAL DRAWINGS.

STRUCTURAL STEEL NOTES:

- STRUCTURAL STEEL SHALL BE DESIGNED, FABRICATED AND ERECTED IN ACCORDANCE WITH THE CAN/CSA-S16-09 BY FULLY CERTIFIED MEMBERS OF THE CANADIAN INSTITUTE OF STEEL CONSTRUCTION.
- ALL STRUCTURAL STEEL SHALL CONFORM TO THE CAN/CSA G40.21-350W CLASS C TO SIZES AND SHAPES INDICATED ON THE DRAWINGS. NO SUBSTITUTIONS IN GRADES OR SIZES ARE PERMITTED WITHOUT WRITTEN APPROVAL OF BEACH ROCKE ENGINEERING LTD. ALL ANGLES AND PLATES TO BE G40.21-300W.
- ALL FABRICATION SHALL BE CARRIED OUT IN PLANT FACILITIES CERTIFIED BY THE CANADIAN WELDING BUREAU TO CSA S16-09 AND S136. SITE FABRICATION IS NOT PERMITTED WITHOUT WRITTEN APPROVAL FROM BEACH ROCKE ENGINEERING LTD.
- ALL WELDING SHALL BE PERFORMED IN ACCORDANCE WITH THE CSA W59 BY WELDERS FULLY CERTIFIED FOR STRUCTURAL WELDING BY THE CANADIAN BUREAU TO CSA W47.1. ALL BASE AND CAP PLATES SHALL BE FULLY WELDED TO COLUMNS.
- STRUCTURAL FASTENERS SHALL BE A325 BOLTS. ANCHOR BOLTS SHALL BE 18" LG. C/W 3"HOOK (A307) UNLESS NOTED OTHERWISE ON STRUCTURAL DRAWINGS. BASE AND CAP PLATES TO BE 3/4" THICK. CAP PLATES TO HAVE MIN. 4 BOLT (A325) CONNECTION UNLESS NOTED OTHERWISE ON STRUCTURAL DRAWINGS.
- PROVIDE TEMPORARY GUYING AND BRACING AS NECESSARY TO PROVIDE STABILITY FOR THE WHOLE STRUCTURE UNTIL DECKING AND PERMANENT BRACING ARE SECURED IN PLACE.
- PROVIDE 3/8" STIFFENER PLATES IN ALL BEAMS CONTINUOUS OVER SUPPORTS. HOLES ARE NOT PERMITTED IN THE TOP FLANGES UNLESS NOTED OTHERWISE ON THE DRAWINGS.
- CLEAN ALL FIELD WELDS AND TOUCH UP WITH PRIMER TO MATCH SHOP COAT - ZINC PAINT
- DESIGN AND FABRICATE CONNECTIONS FOR THE FULL STRENGTH OF THE MEMBER. SPICING OF MEMBERS IS NOT PERMITTED UNLESS WRITTEN APPROVAL FROM THE DESIGN ENGINEER HAS BEEN PROVIDED.
- ALL STEEL SHALL BE GALVANIZED.**
- STRUCTURAL STEEL SUPPLIER SHALL PROVIDE STAMPED SHOP DRAWINGS TO THE DESIGN ENGINEER FOR REVIEW AND APPROVAL PRIOR TO FABRICATION.

STRUCTURAL DRAWING LIST:

- S1 - STRUCTURAL PROJECT NOTES
- S2 - TYP TANK SLAB, BOLLARD AND BASE PLATE DETAILS & ISOMETRIC VIEW OF METAL STAND
- S3 - CONNECTION #1 DETAILS
- S4 - CONNECTION #2 DETAILS
- S5 - TANK #1 - PLAN VIEW OF TANK ON SLAB
- S6 - TANK #1 - ELEVATIONS OF TANK ON SLAB
- S7 - TANK #2 - PLAN VIEW OF TANK ON LOW METAL STAND
- S8 - TANK #2 - ELEVATIONS OF LOW METAL STAND
- S9 - TANK #2 - ELEVATIONS OF LOW METAL STAND
- S10 - TANK #3 - PLAN VIEW OF TANK ON HIGH METAL STAND
- S11 - TANK #3 - ELEVATIONS OF HIGH METAL STAND
- S12 - TANK #3 - ELEVATIONS OF HIGH METAL STAND
- S13 - TANK #4 - PLAN VIEW OF TANK ON LOW DOUBLE METAL STAND
- S14 - TANK #4 - ELEVATIONS OF LOW DOUBLE METAL STAND
- S15 - TANK #4 - ELEVATIONS OF LOW DOUBLE METAL STAND
- S16 - TANK #5 - PLAN VIEW OF TANK ON HIGH DOUBLE METAL STAND
- S17 - TANK #5 - ELEVATIONS OF HIGH DOUBLE METAL STAND
- S18 - TANK #5 - ELEVATIONS OF HIGH DOUBLE METAL STAND



PROJECT TITLE:
RCMP "V" DIVISION OIL TANK REPLACEMENT

SHEET TITLE:
PROJECT NOTES

PROJECT NUMBER:
17-122-CG-39



REV. #	REVISION	DATE (YY MM DD)	REV. BY
03	ISSUED FOR TENDER	17 06 12	RH
02	ISSUED FOR 99% REVIEW	17 05 30	RH
01	ISSUED FOR REVIEW	17 03 31	RH

REV. #	REVISION	DATE (YY MM DD)	REV. BY

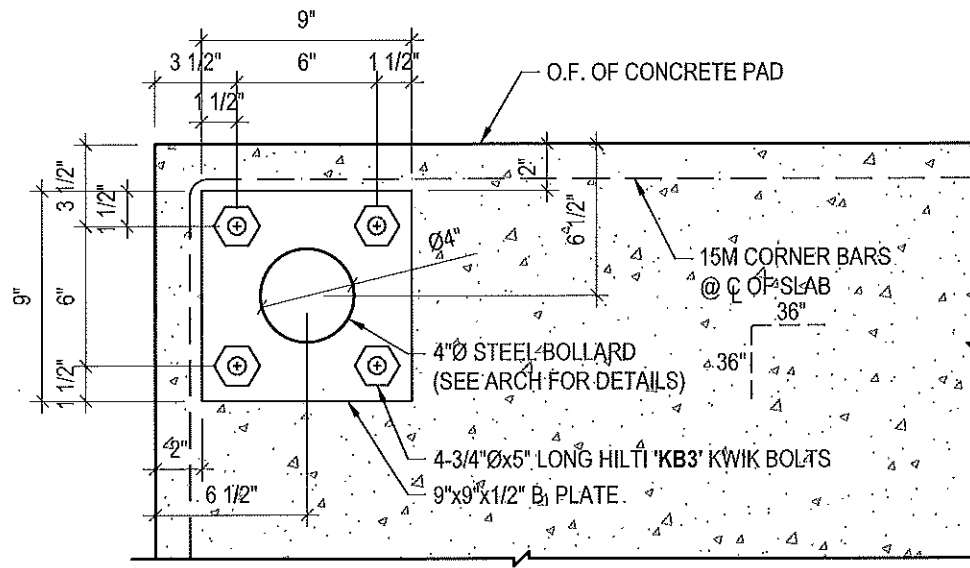
SCALE:
AS NOTED

DATE (YY MM DD):
17 06 12

DRAWING NUMBER:

S1

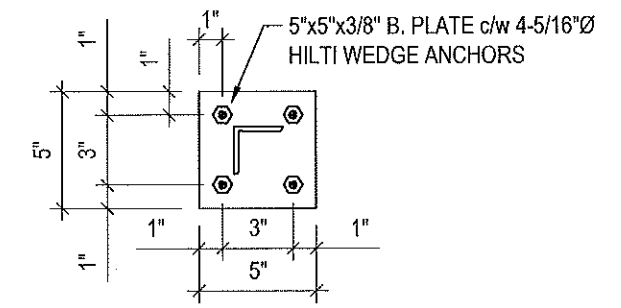
REVISION NUMBER:
00



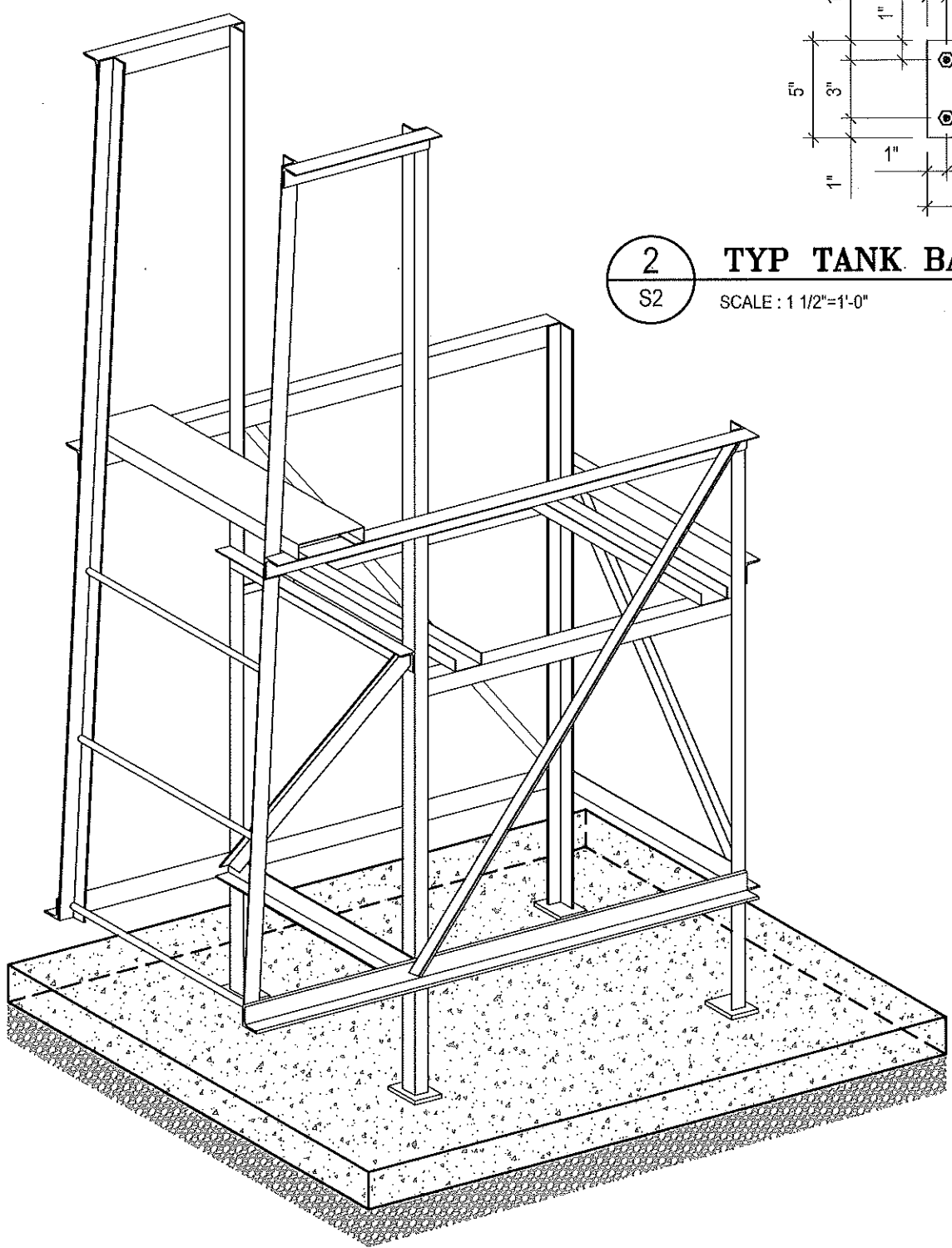
1 TYP BOLLARD BASE PLATE DETAILS
S2 SCALE : 1 1/2"=1'-0"

NOTES:

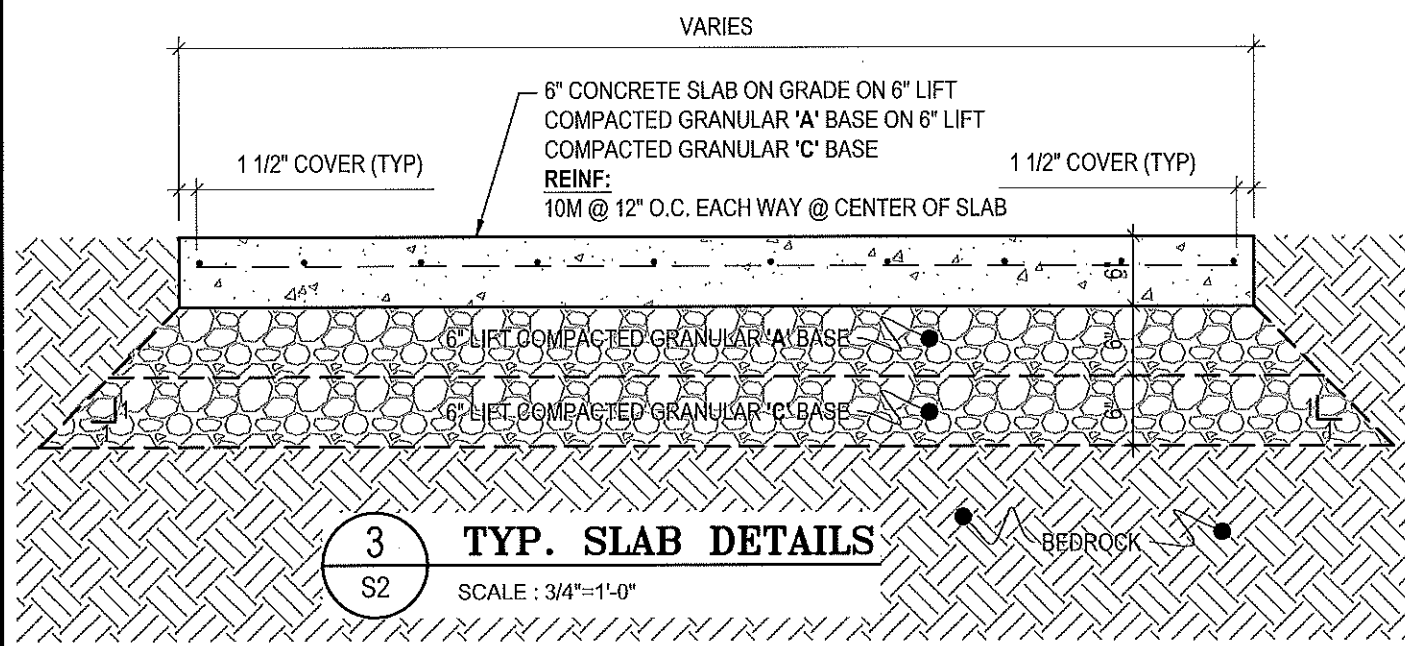
- ALL STEEL TO BE GALVANIZED (GALV) OR STAINLESS STEEL (SS)
- CONFIRM ALL DIMENSIONS SHOWN WITH MECH. DRAWINGS



2 TYP TANK BASE PLATE DETAIL
S2 SCALE : 1 1/2"=1'-0"



4 TYP. ISOMETRIC VIEW OF METAL STANDS
S2 NOT TO SCALE



3 TYP. SLAB DETAILS
S2 SCALE : 3/4"=1'-0"



PROJECT TITLE:
RCMP "V" DIVISION OIL TANK REPLACEMENT

SHEET TITLE:
TYPICAL PROJECT DETAILS

PROJECT NUMBER:
17-122-CG-39



03	ISSUED FOR TENDER	17 06 12	RH
02	ISSUED FOR 99% REVIEW	17 05 30	RH
01	ISSUED FOR REVIEW	17 03 31	RH
REV. #	REVISION	DATE (YY MM DD)	REV. BY

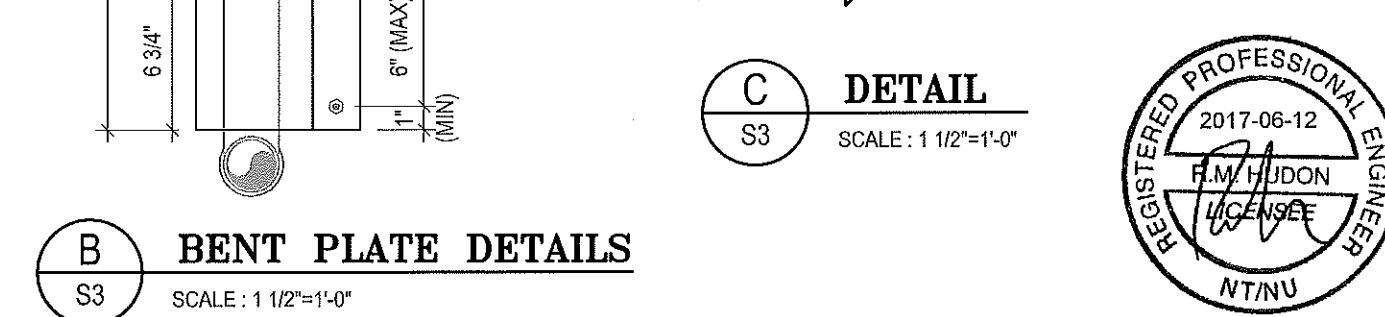
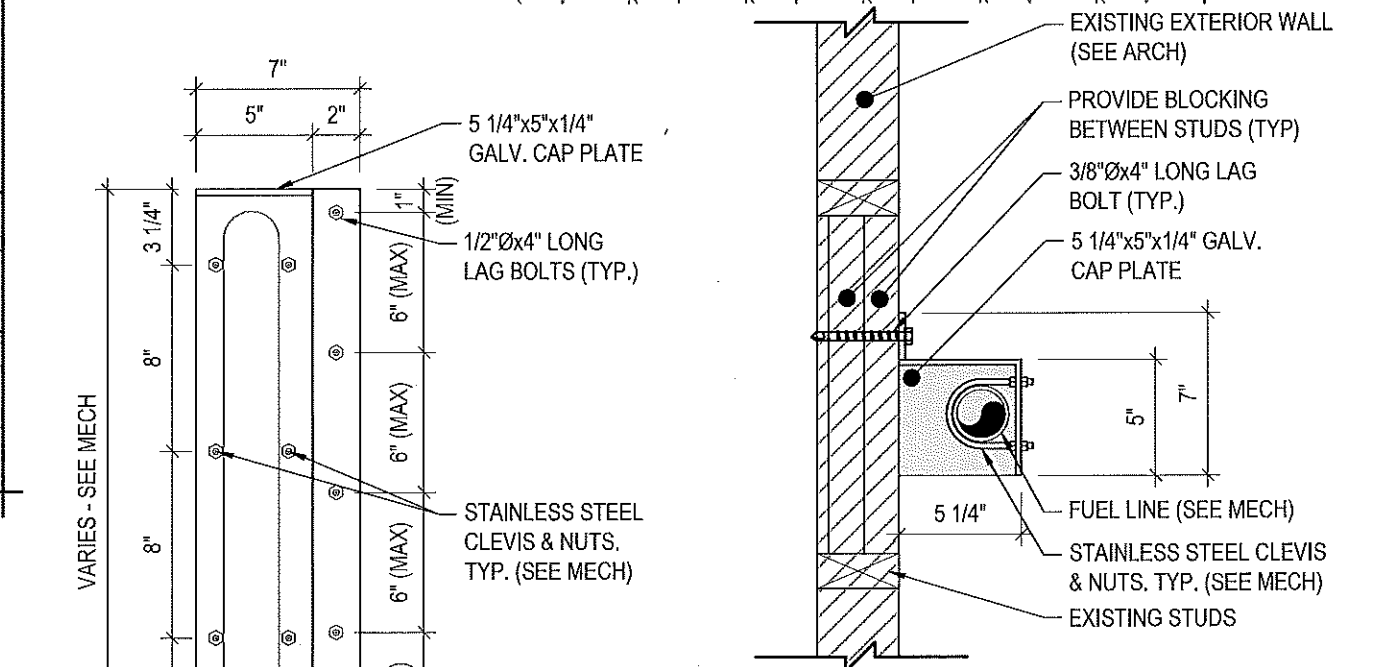
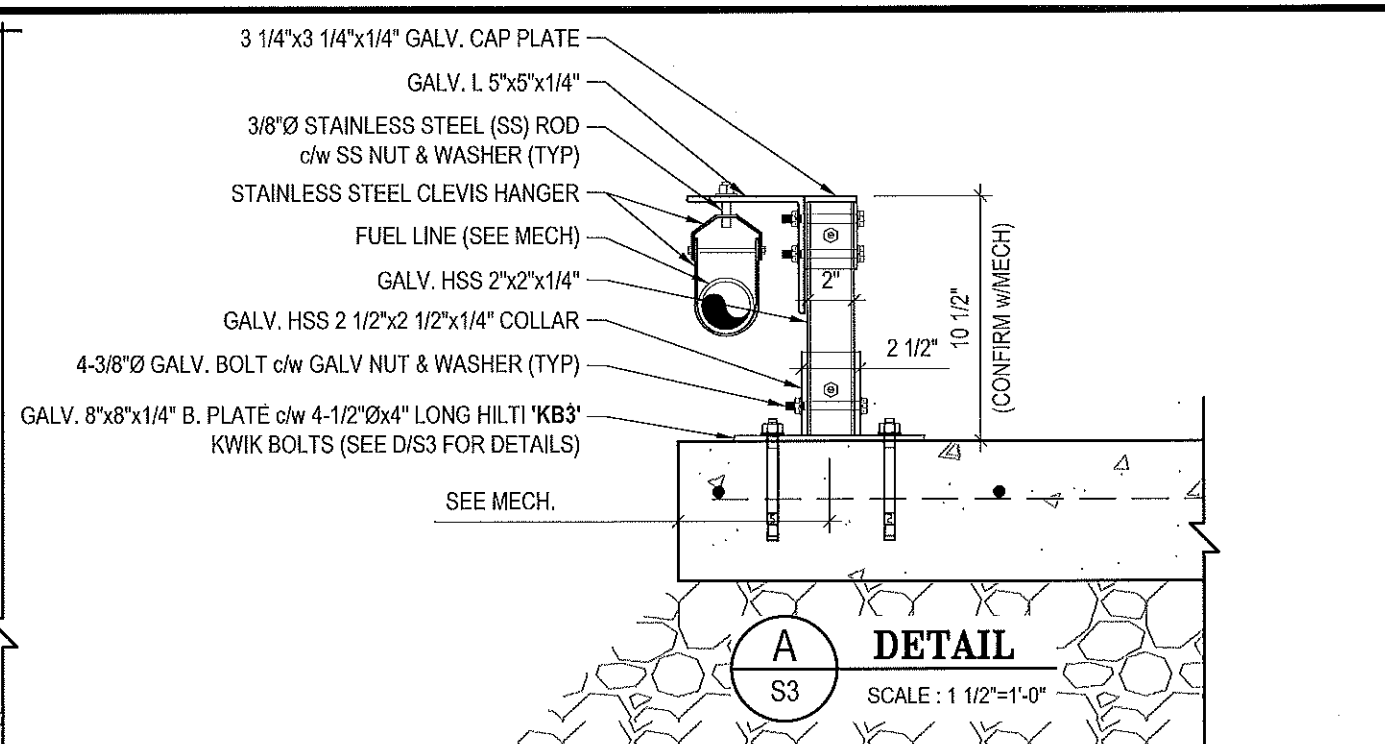
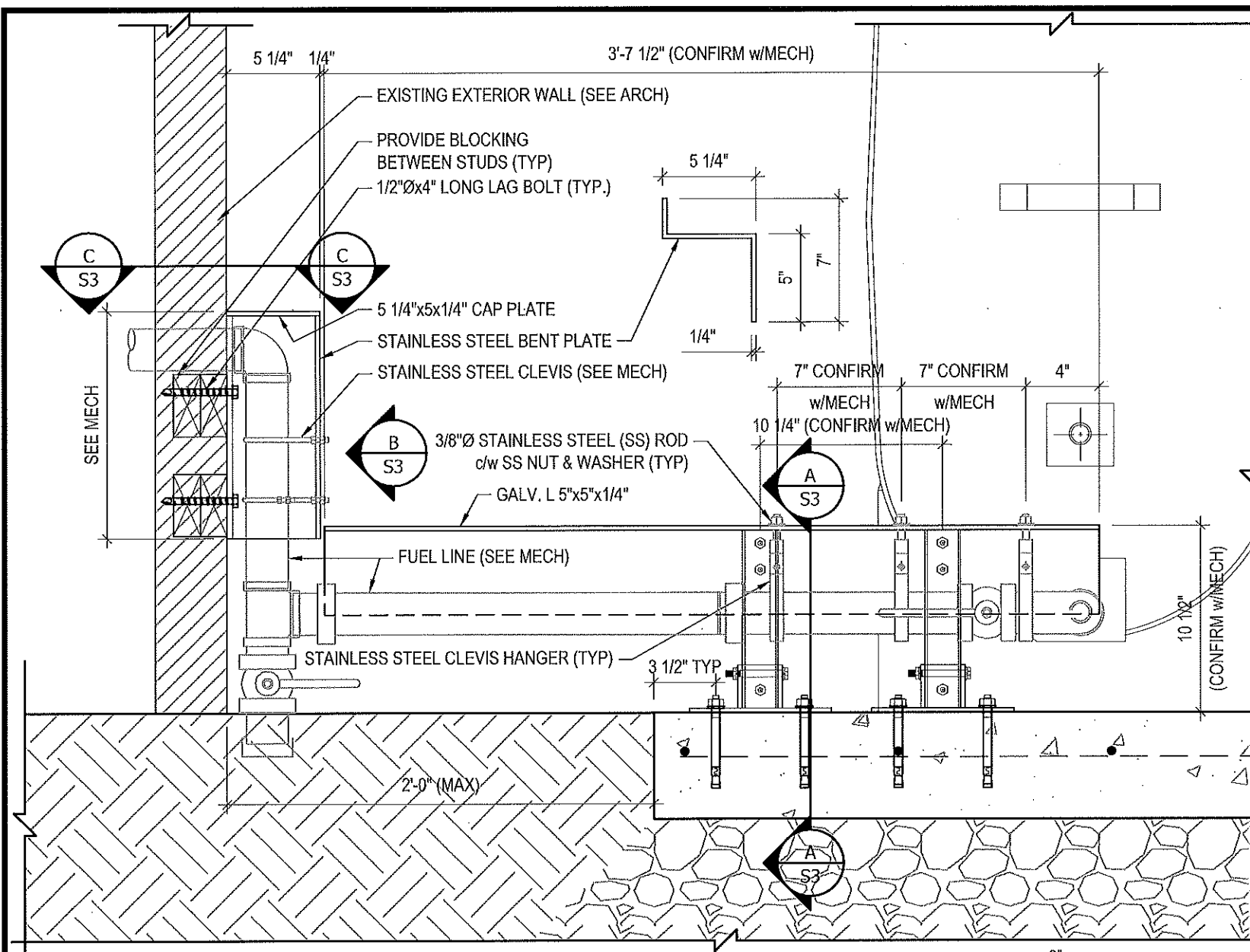
REV. #	REVISION	DATE (YY MM DD)	REV. BY
--------	----------	-----------------	---------

SCALE:
AS NOTED

DATE (YY MM DD):
17 06 12

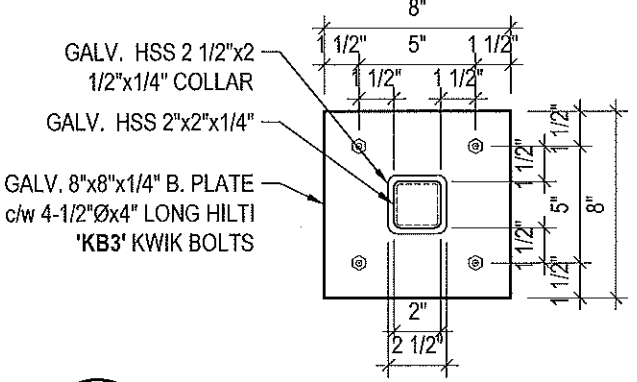
DRAWING NUMBER:
S2

REVISION NUMBER:
00



1 CONNECTION #1 DETAILS
S3 SCALE: 1 1/2"=1'-0"

NOTES:
 • ALL STEEL TO BE GALVANIZED (GALV) OR STAINLESS STEEL (SS)
 • CONFIRM ALL DIMENSIONS SHOWN WITH MECH. DRAWINGS



D BASE PLATE DETAILS
S3 SCALE: 1 1/2"=1'-0"

B BENT PLATE DETAILS
S3 SCALE: 1 1/2"=1'-0"

C DETAIL
S3 SCALE: 1 1/2"=1'-0"



PROJECT TITLE:
RCMP "V" DIVISION OIL TANK REPLACEMENT
 SHEET TITLE:
CONNECTION #1 DETAILS
 PROJECT NUMBER:
17-122-CG-39

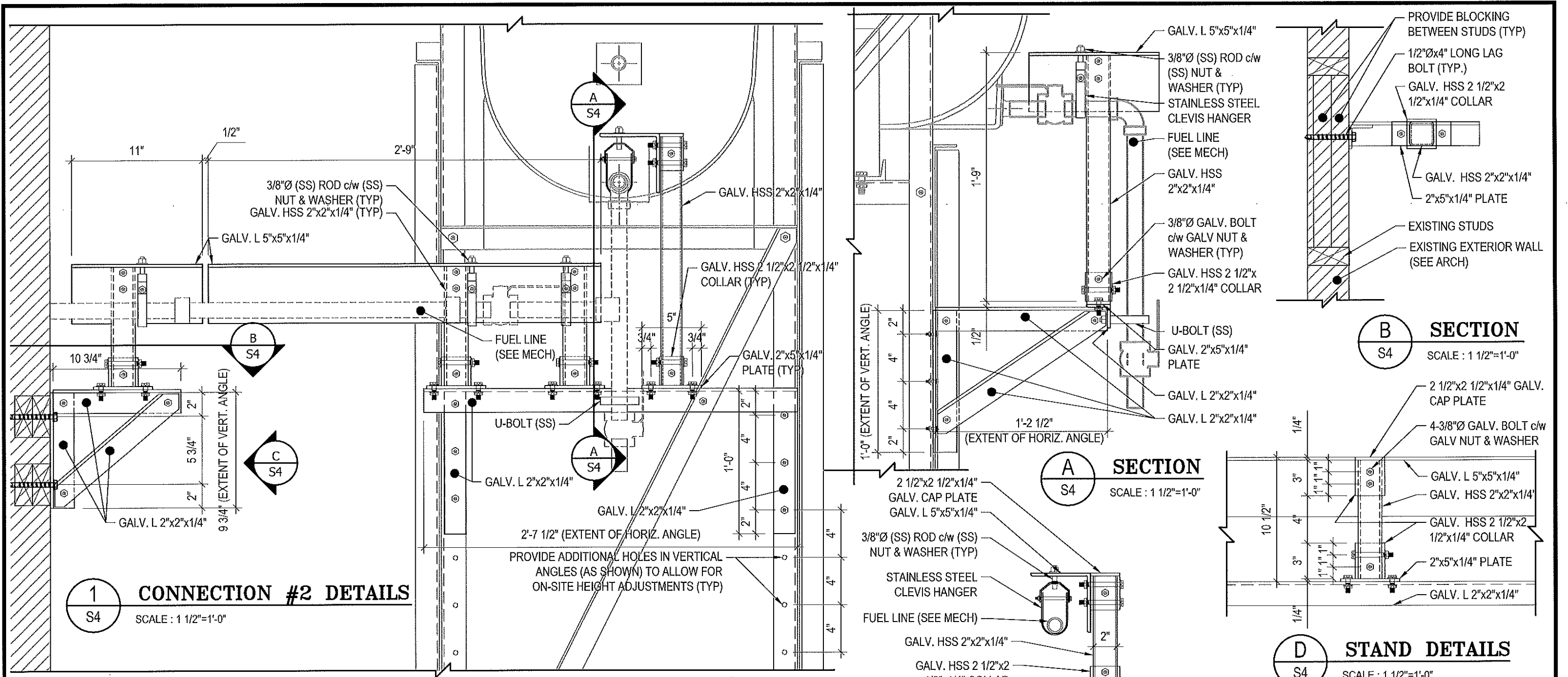
Beach Rocke
ENGINEERING LTD.
Professional Engineering Services
1050 St. Mary's Road, Winnipeg, Manitoba R2M 3S9
Telephone: (204) 595 7251 Fax: (204) 251 7239
Website: www.beachrocke.ca

REV. #	REVISION	DATE (YY MM DD)	REV. BY
03	ISSUED FOR TENDER	17 06 12	RH
02	ISSUED FOR 99% REVIEW	17 05 30	RH
01	ISSUED FOR REVIEW	17 03 31	RH

REV. #	REVISION	DATE (YY MM DD)	REV. BY

SCALE:
AS NOTED
 DATE (YY MM DD):
17 06 12

DRAWING NUMBER:
S3
 REVISION NUMBER:
00



1 CONNECTION #2 DETAILS
S4 SCALE: 1 1/2"=1'-0"

A SECTION
S4 SCALE: 1 1/2"=1'-0"

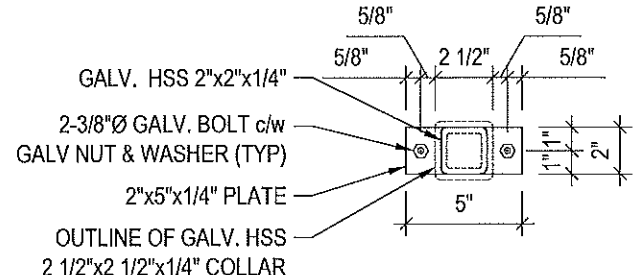
B SECTION
S4 SCALE: 1 1/2"=1'-0"

D STAND DETAILS
S4 SCALE: 1 1/2"=1'-0"

C ELEVATION
S4 SCALE: 1 1/2"=1'-0"

E STAND PLATE DETAILS
S4 SCALE: 1 1/2"=1'-0"

NOTES:
 • ALL STEEL TO BE GALVANIZED (GALV) OR STAINLESS STEEL (SS)
 • CONFIRM ALL DIMENSIONS SHOWN WITH MECH. DRAWINGS



PROJECT TITLE:
RCMP "V" DIVISION OIL TANK REPLACEMENT
SHEET TITLE:
CONNECTION #2 DETAILS
PROJECT NUMBER:
17-122-CG-39

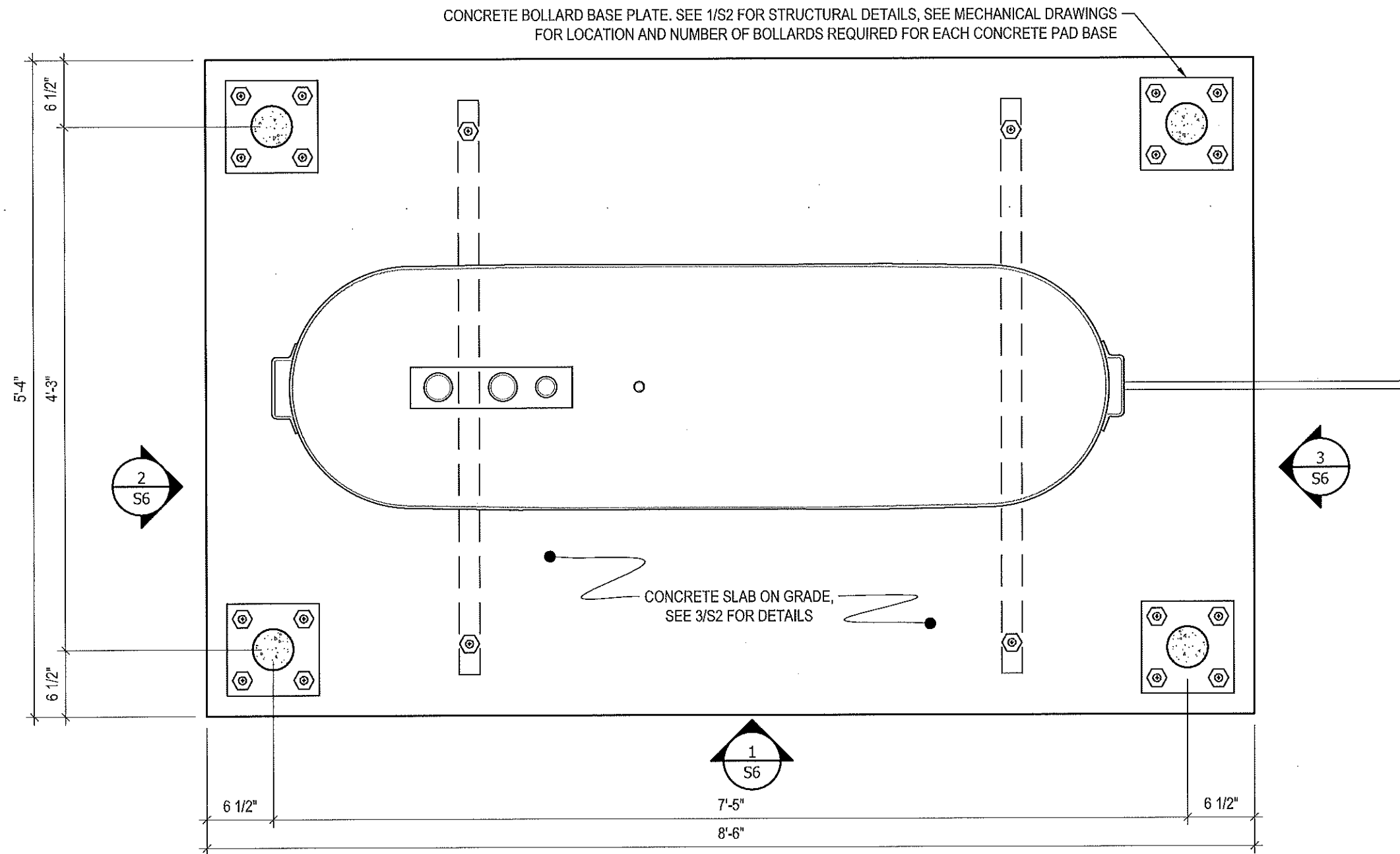


REV. #	REVISION	DATE (YY MM DD)	REV. BY
03	ISSUED FOR TENDER	17 06 12	RH
02	ISSUED FOR 99% REVIEW	17 05 30	RH
01	ISSUED FOR REVIEW	17 03 31	RH

REV. #	REVISION	DATE (YY MM DD)	REV. BY

SCALE:
AS NOTED
DATE (YY MM DD):
17 06 12

DRAWING NUMBER:
S4
REVISION NUMBER:
00



1 PLAN VIEW - TANK #1
S5 SCALE: 1"=1'-0"



PROJECT TITLE:
RCMP "V" DIVISION OIL TANK REPLACEMENT
SHEET TITLE:
TANK #1 - PLAN VIEW
PROJECT NUMBER:
17-122-CG-39



REV. #	REVISION	DATE (YY MM DD)	REV. BY
03	ISSUED FOR TENDER	17 06 12	RH
02	ISSUED FOR 99% REVIEW	17 05 30	RH
01	ISSUED FOR REVIEW	17 03 31	RH

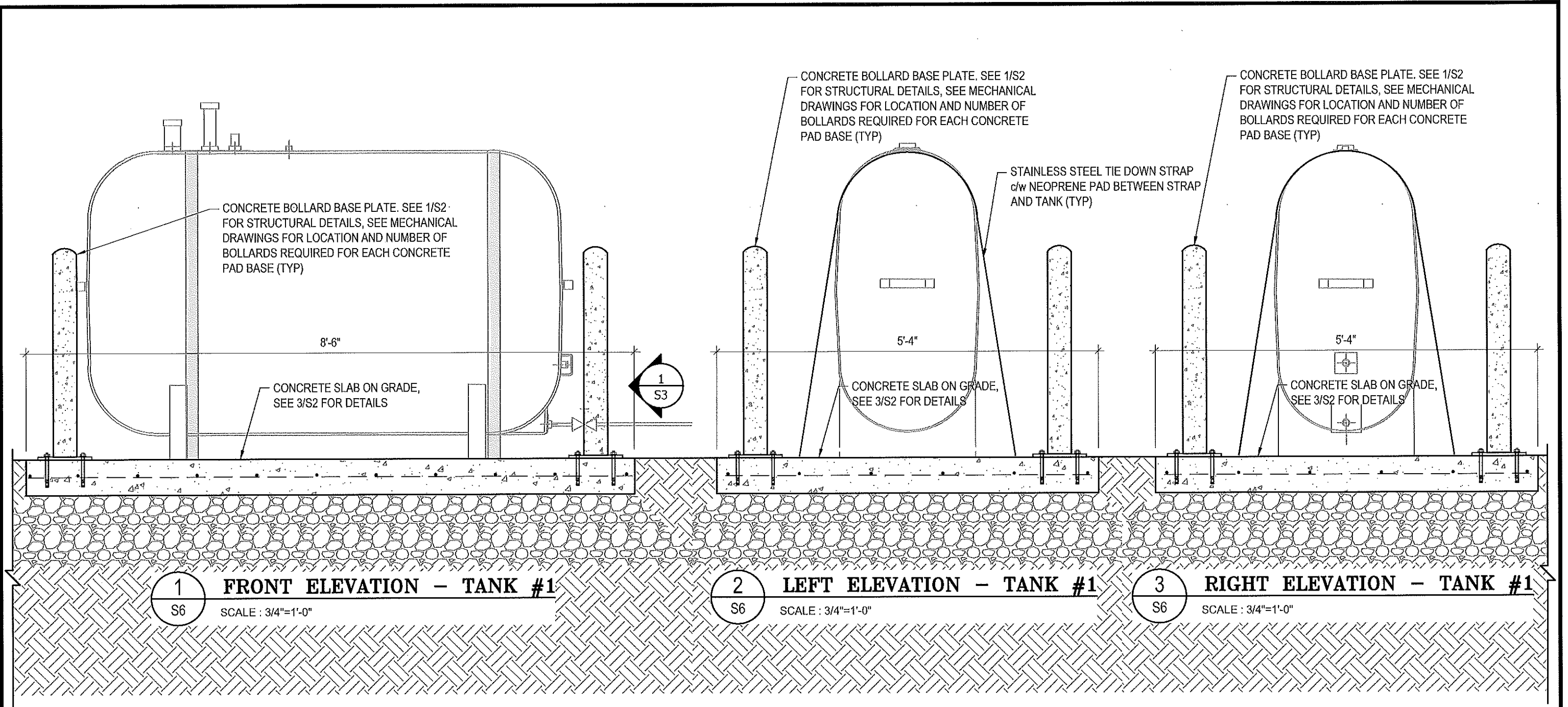
REV. #	REVISION	DATE (YY MM DD)	REV. BY

SCALE:
AS NOTED
DATE (YY MM DD):
17 06 12

DRAWING NUMBER:

S5

REVISION NUMBER:
00



1
S6

FRONT ELEVATION - TANK #1

SCALE : 3/4"=1'-0"

2
S6

LEFT ELEVATION - TANK #1

SCALE : 3/4"=1'-0"

3
S6

RIGHT ELEVATION - TANK #1

SCALE : 3/4"=1'-0"



PROJECT TITLE:
RCMP "V" DIVISION OIL TANK REPLACEMENT
SHEET TITLE:
TANK #1 - ELEVATIONS
PROJECT NUMBER:
17-122-CG-39

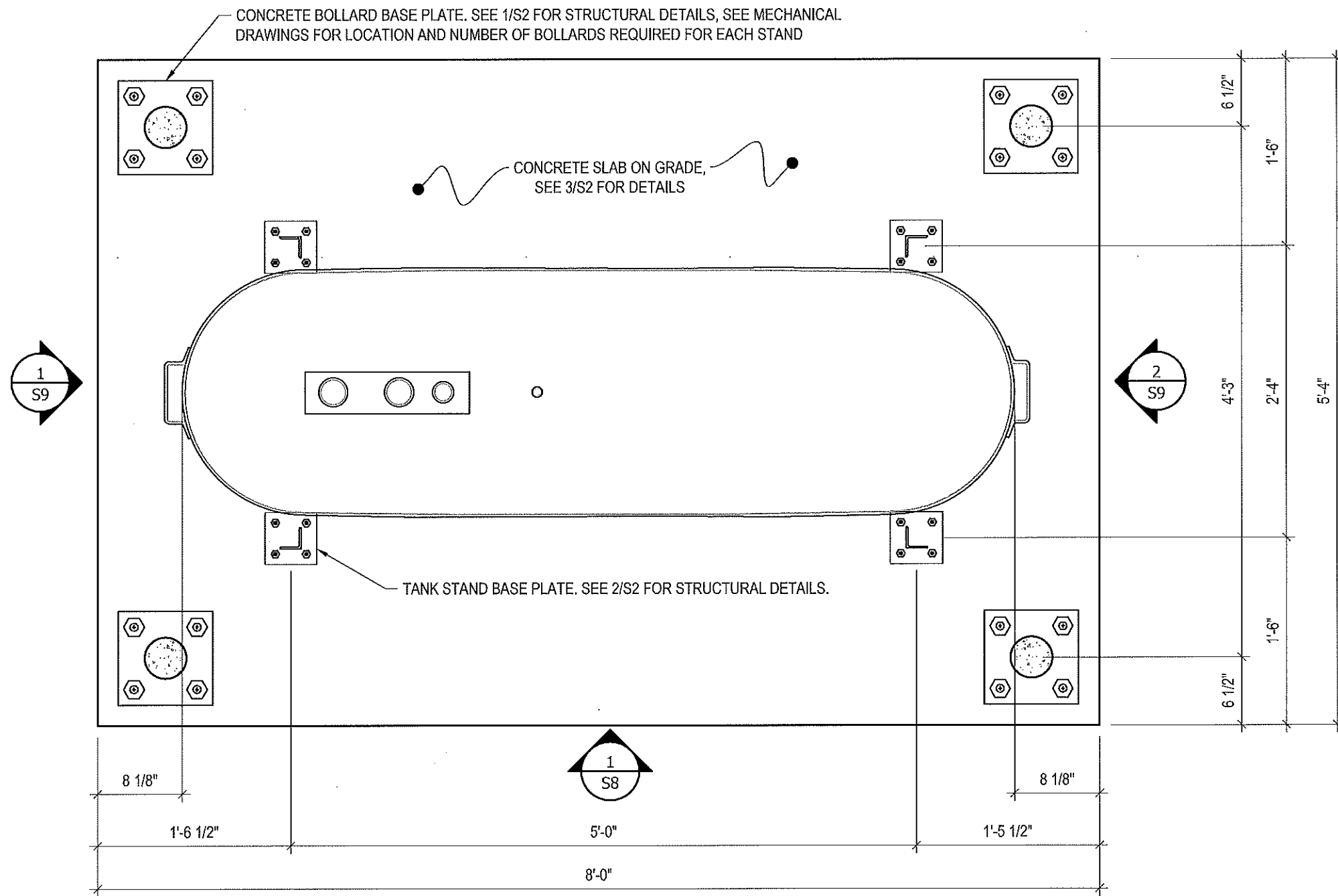


REV. #	REVISION	DATE (YY MM DD)	REV. BY
03	ISSUED FOR TENDER	17 06 12	RH
02	ISSUED FOR 99% REVIEW	17 05 30	RH
01	ISSUED FOR REVIEW	17 03 31	RH

REV. #	REVISION	DATE (YY MM DD)	REV. BY

SCALE:
AS NOTED
DATE (YY MM DD):
17 06 12

DRAWING NUMBER:
S6
REVISION NUMBER:
00



1/S7 **PLAN VIEW - TANK #2**
SCALE: 1"=1'-0"



PROJECT TITLE:
RCMP "V" DIVISION OIL TANK REPLACEMENT

SHEET TITLE:
TANK #2 - PLAN VIEW

PROJECT NUMBER:
17-122-CG-39



REV. #	REVISION	DATE (YY MM DD)	REV. BY
03	ISSUED FOR TENDER	17 06 12	RH
02	ISSUED FOR 99% REVIEW	17 05 30	RH
01	ISSUED FOR REVIEW	17 03 31	RH

REV. #	REVISION	DATE (YY MM DD)	REV. BY

SCALE:
AS NOTED

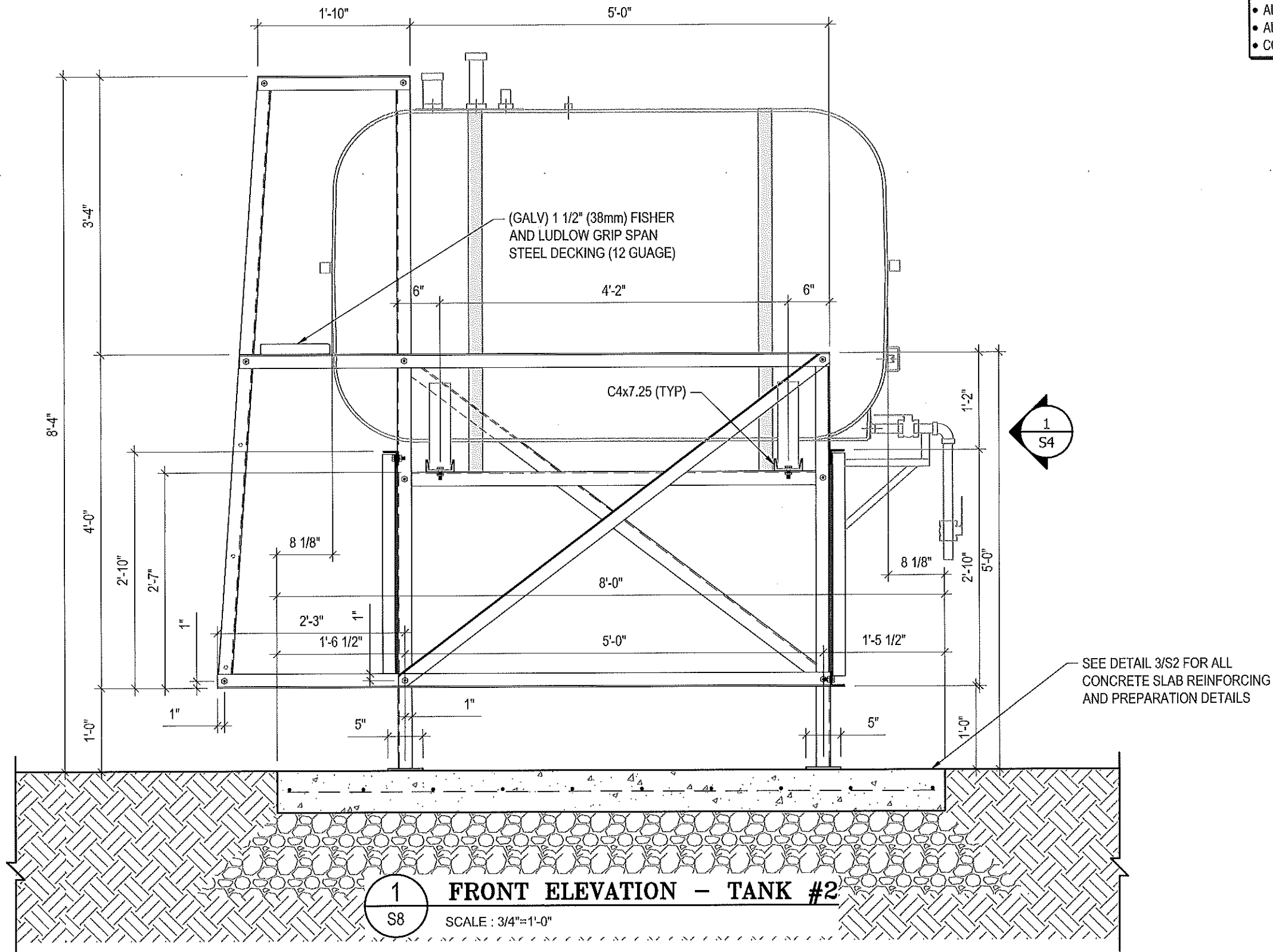
DATE (YY MM DD):
17 06 12

DRAWING NUMBER:

S7

REVISION NUMBER:
00

- NOTES:**
- ALL STEEL TO BE GALVANIZED (GALV) OR STAINLESS STEEL (SS)
 - ALL ANGLES SHOWN ARE L2"x2"x3/16" (U/N/O)
 - ALL BOLTS SHOWN ARE 1/2"x2" LONG (U/N/O)
 - CONFIRM ALL DIMENSIONS SHOWN WITH MECH. DRAWINGS



PROJECT TITLE:
RCMP "V" DIVISION OIL TANK REPLACEMENT

SHEET TITLE:
TANK #2 - ELEVATIONS

PROJECT NUMBER:
17-122-CG-39



REV. #	REVISION	DATE (YY MM DD)	REV. BY
03	ISSUED FOR TENDER	17 06 12	RH
02	ISSUED FOR 99% REVIEW	17 05 30	RH
01	ISSUED FOR REVIEW	17 03 31	RH

REV. #	REVISION	DATE (YY MM DD)	REV. BY

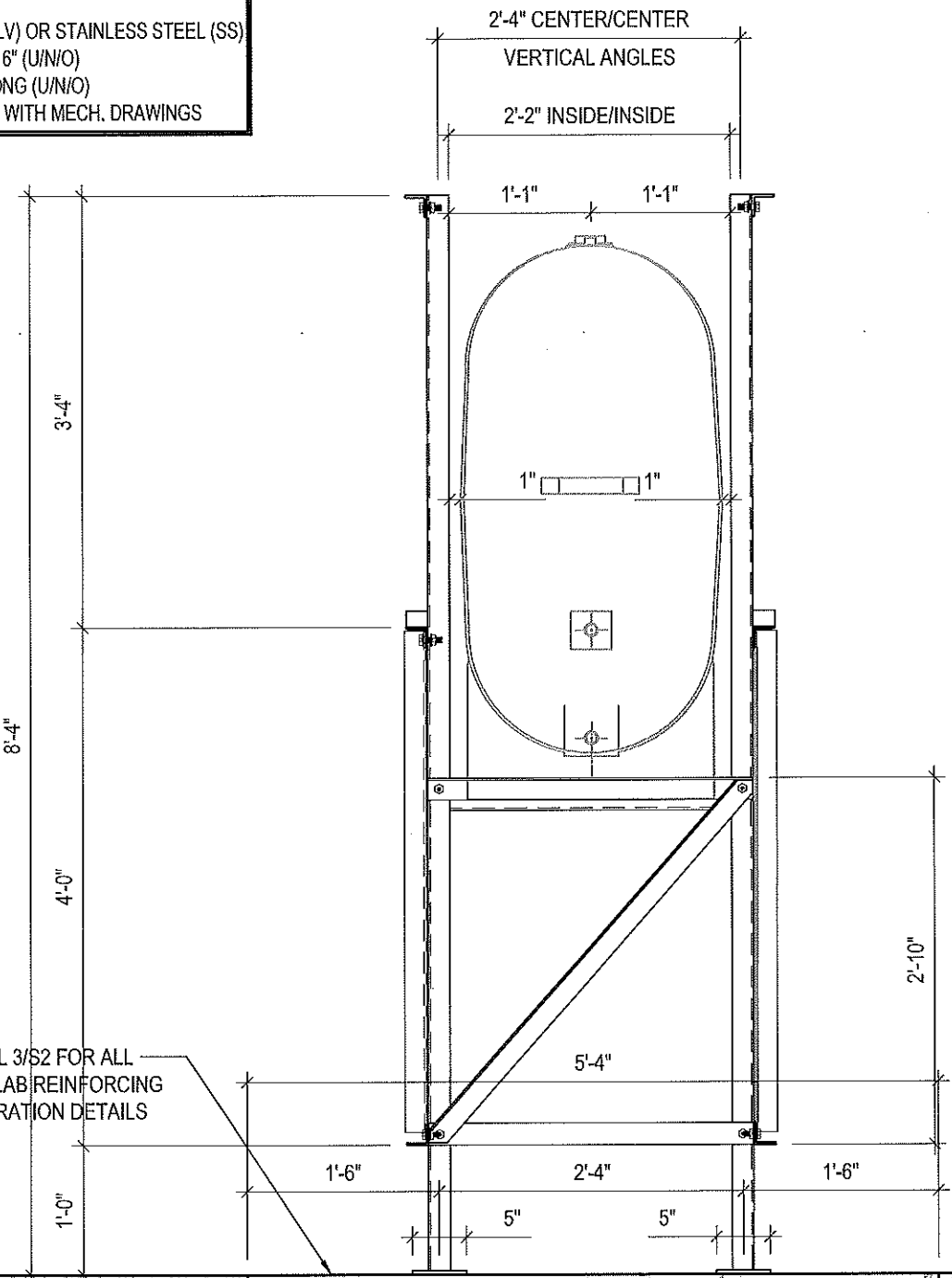
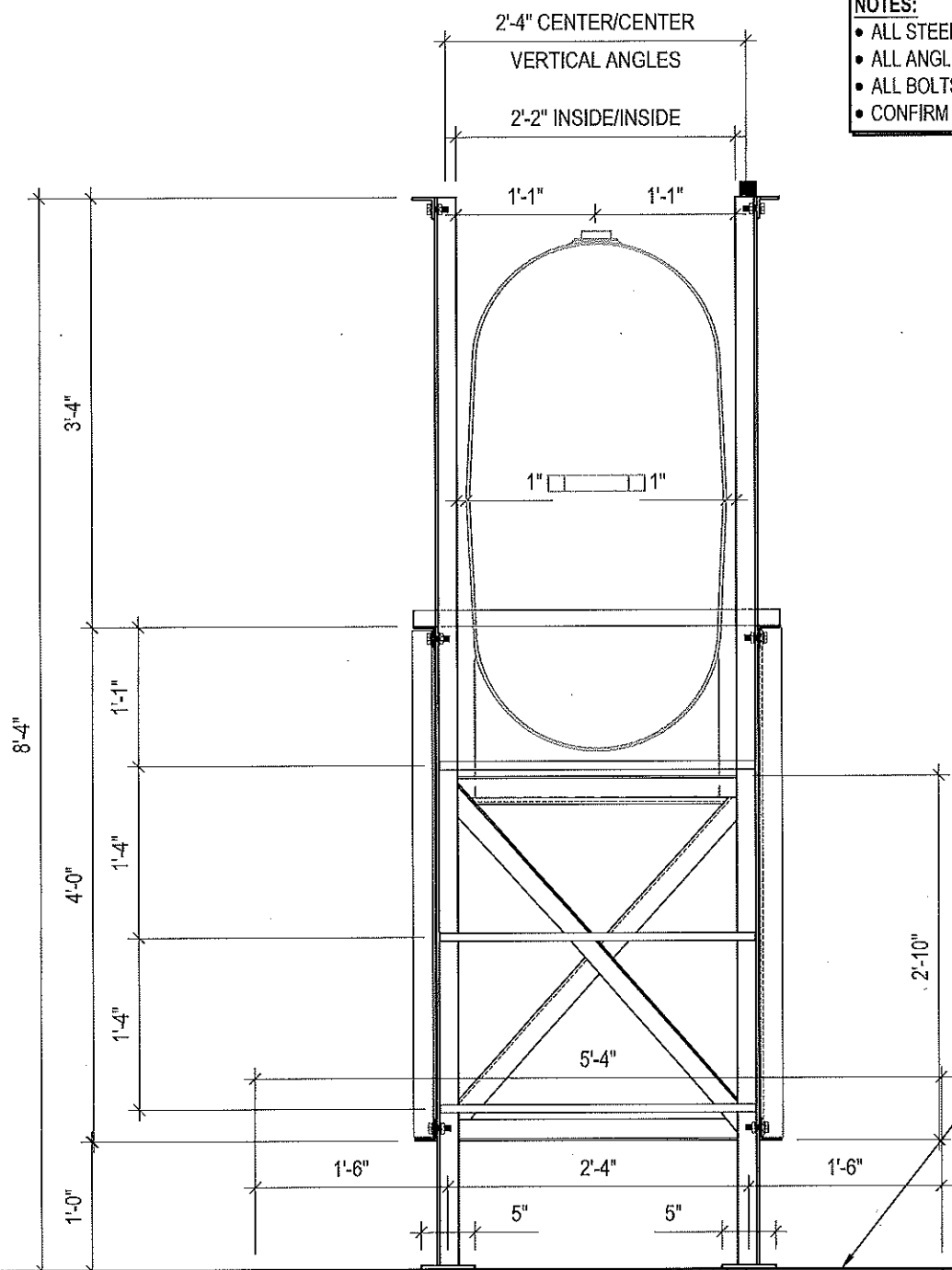
SCALE:
AS NOTED

DATE (YY MM DD):
17 06 12

DRAWING NUMBER:
S8

REVISION NUMBER:
00

- NOTES:**
- ALL STEEL TO BE GALVANIZED (GALV) OR STAINLESS STEEL (SS)
 - ALL ANGLES SHOWN ARE L2"x2"x3/16" (U/N/O)
 - ALL BOLTS SHOWN ARE 1/2"Øx2" LONG (U/N/O)
 - CONFIRM ALL DIMENSIONS SHOWN WITH MECH. DRAWINGS



SEE DETAIL 3/S2 FOR ALL CONCRETE SLAB REINFORCING AND PREPARATION DETAILS

1 LEFT ELEVATION - TANK #2
S9 SCALE : 3/4"=1'-0"

2 RIGHT ELEVATION - TANK #2
S9 SCALE : 3/4"=1'-0"



PROJECT TITLE:
RCMP "V" DIVISION OIL TANK REPLACEMENT
SHEET TITLE:
TANK #2 - ELEVATIONS
PROJECT NUMBER:
17-122-CG-39

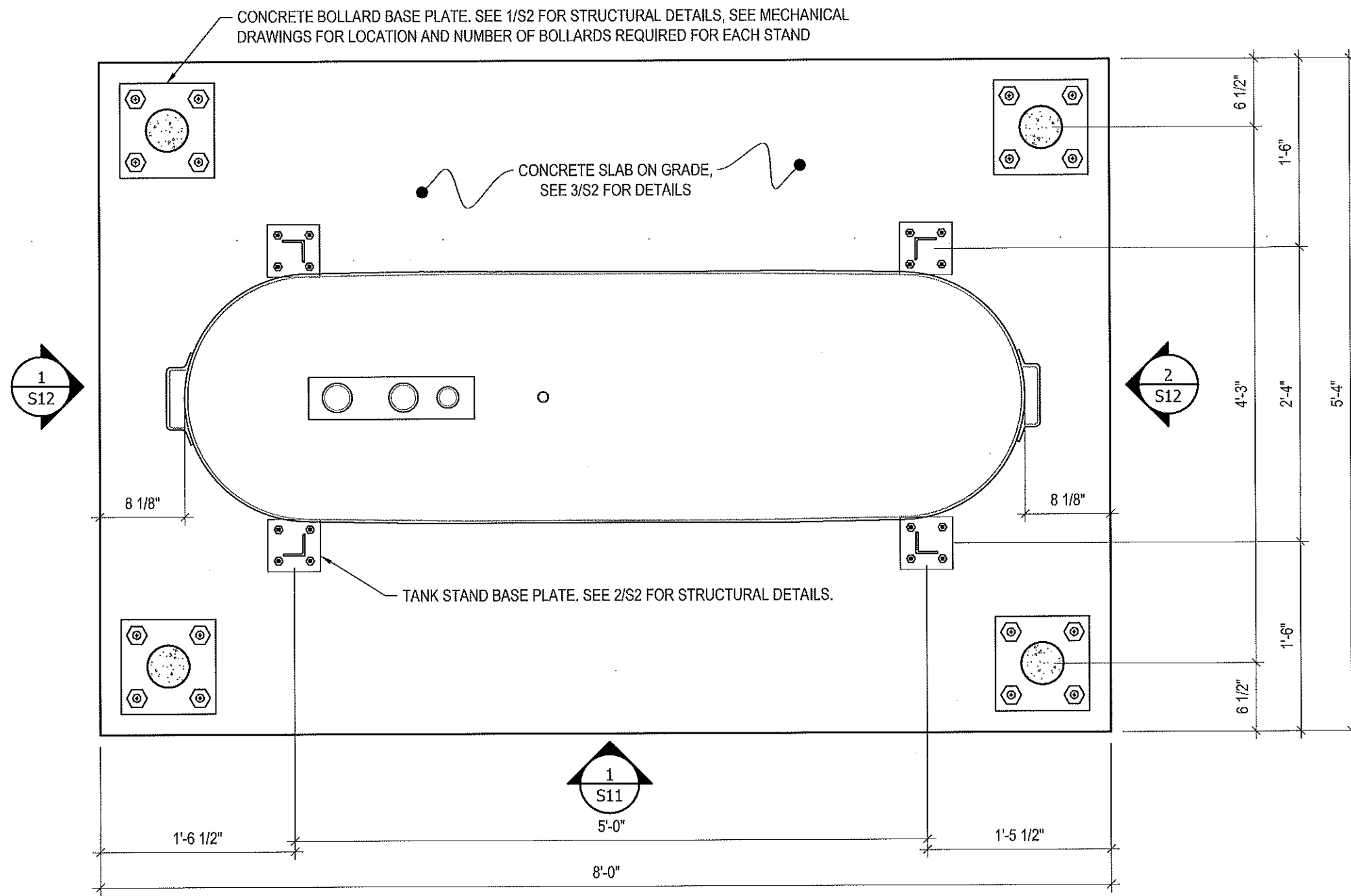


REV. #	REVISION	DATE (YY MM DD)	REV. BY
03	ISSUED FOR TENDER	17 06 12	RH
02	ISSUED FOR 99% REVIEW	17 05 30	RH
01	ISSUED FOR REVIEW	17 03 31	RH

REV. #	REVISION	DATE (YY MM DD)	REV. BY

SCALE:
AS NOTED
DATE (YY MM DD):
17 06 12

DRAWING NUMBER:
S9
REVISION NUMBER:
00



1 PLAN VIEW - TANK #3
S10 SCALE : 1"=1'-0"



PROJECT TITLE:
RCMP "V" DIVISION OIL TANK REPLACEMENT

SHEET TITLE:
TANK #3 - PLAN VIEW

PROJECT NUMBER:
17-122-CG-39

Beach Rocke
ENGINEERING LTD.
Professional Engineering Services
1050 St. Marys Road, Winnipeg, Manitoba R2M 3S9
Telephone: (204) 253 7251 Fax: (204) 257 7232
Website: www.beachrocke.ca

REV. #	REVISION	DATE (YY MM DD)	REV. BY
03	ISSUED FOR TENDER	17 06 12	RH
02	ISSUED FOR 99% REVIEW	17 05 30	RH
01	ISSUED FOR REVIEW	17 03 31	RH

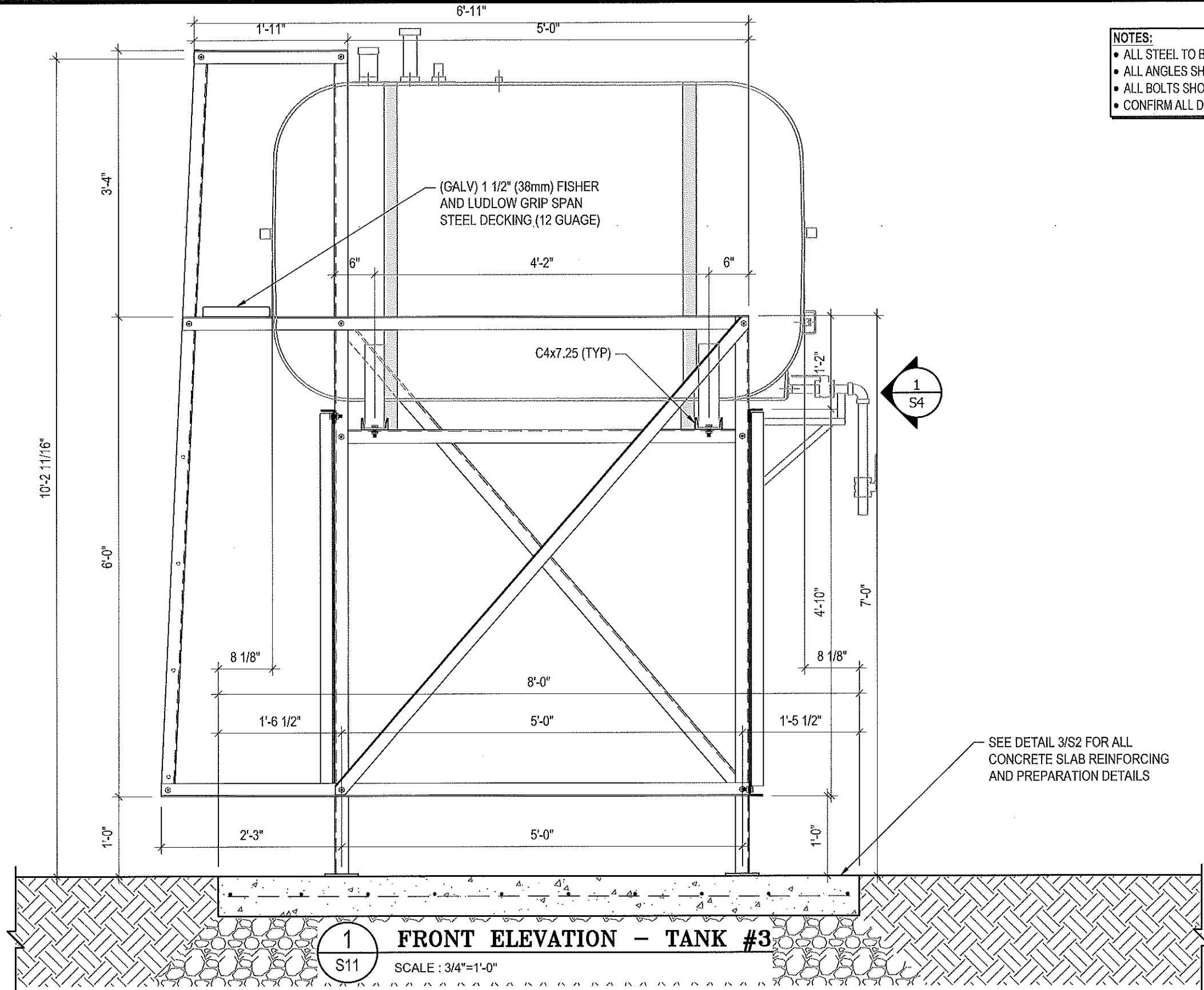
REV. #	REVISION	DATE (YY MM DD)	REV. BY

SCALE:
AS NOTED

DATE (YY MM DD):
17 06 12

DRAWING NUMBER:
S10

REVISION NUMBER:
00



- NOTES:**
- ALL STEEL TO BE GALVANIZED (GALV) OR STAINLESS STEEL (SS)
 - ALL ANGLES SHOWN ARE L2"x2"x3/16" (U/N/O)
 - ALL BOLTS SHOWN ARE 1/2"x2" LONG (U/N/O)
 - CONFIRM ALL DIMENSIONS SHOWN WITH MECH. DRAWINGS

1 FRONT ELEVATION - TANK #3
 S11 SCALE : 3/4"=1'-0"



PROJECT TITLE:
 RCMP "V" DIVISION OIL TANK REPLACEMENT

SHEET TITLE:
 TANK #3 - ELEVATIONS

PROJECT NUMBER:
 17-122-CG-39

Beach Rocke
 ENGINEERING LTD.
 Professional Engineering Services
 1653 St. Mary's Road, Winnipeg, Manitoba R2M 3S9
 Telephone: (204) 253-7231 Fax: (204) 253-7239
 Website: www.beachrocke.ca

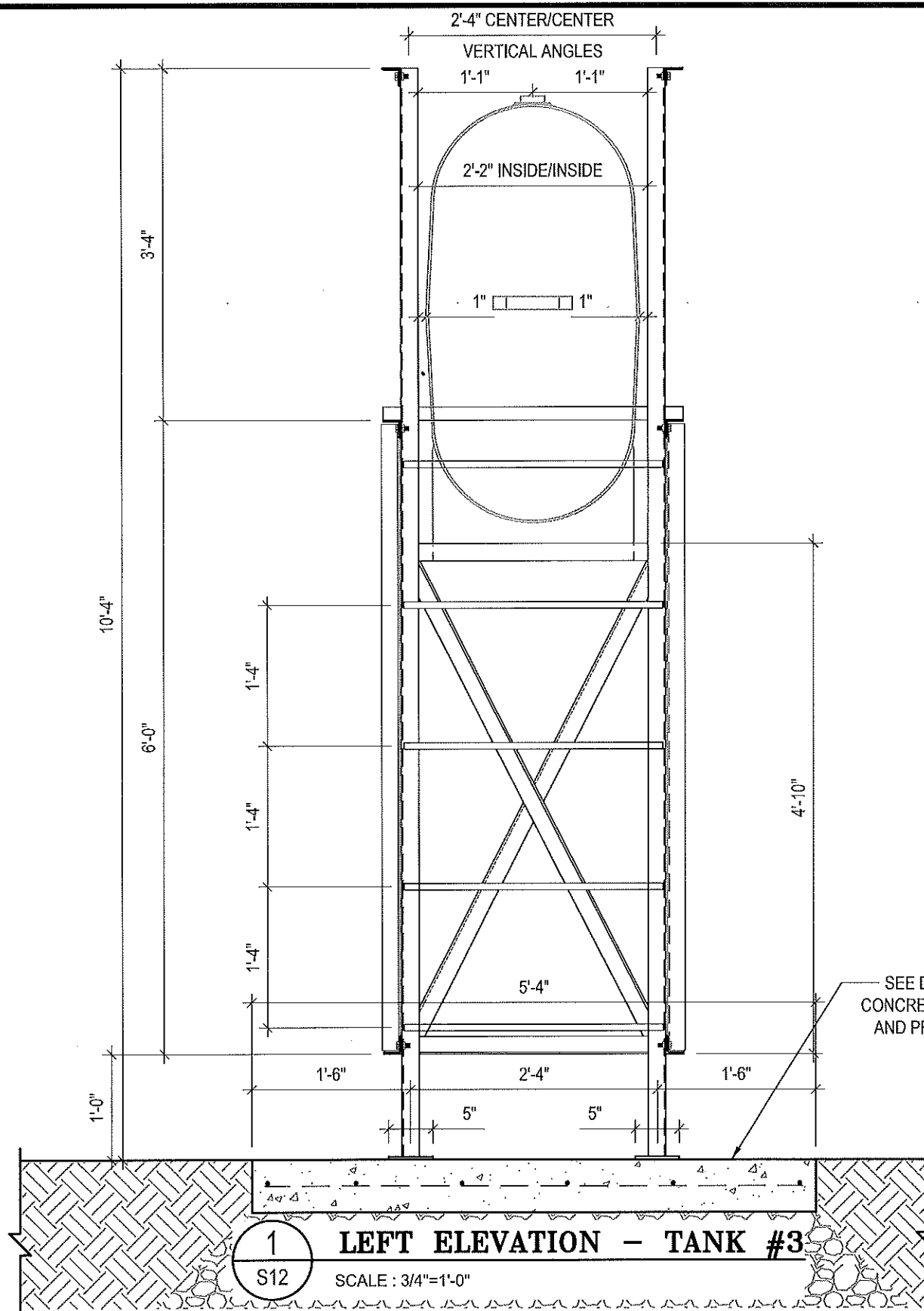
REV. #	REVISION	DATE (YY MM DD)	REV. BY
03	ISSUED FOR TENDER	17 06 12	RH
02	ISSUED FOR 99% REVIEW	17 05 30	RH
01	ISSUED FOR REVIEW	17 03 31	RH

REV. #	REVISION	DATE (YY MM DD)	REV. BY

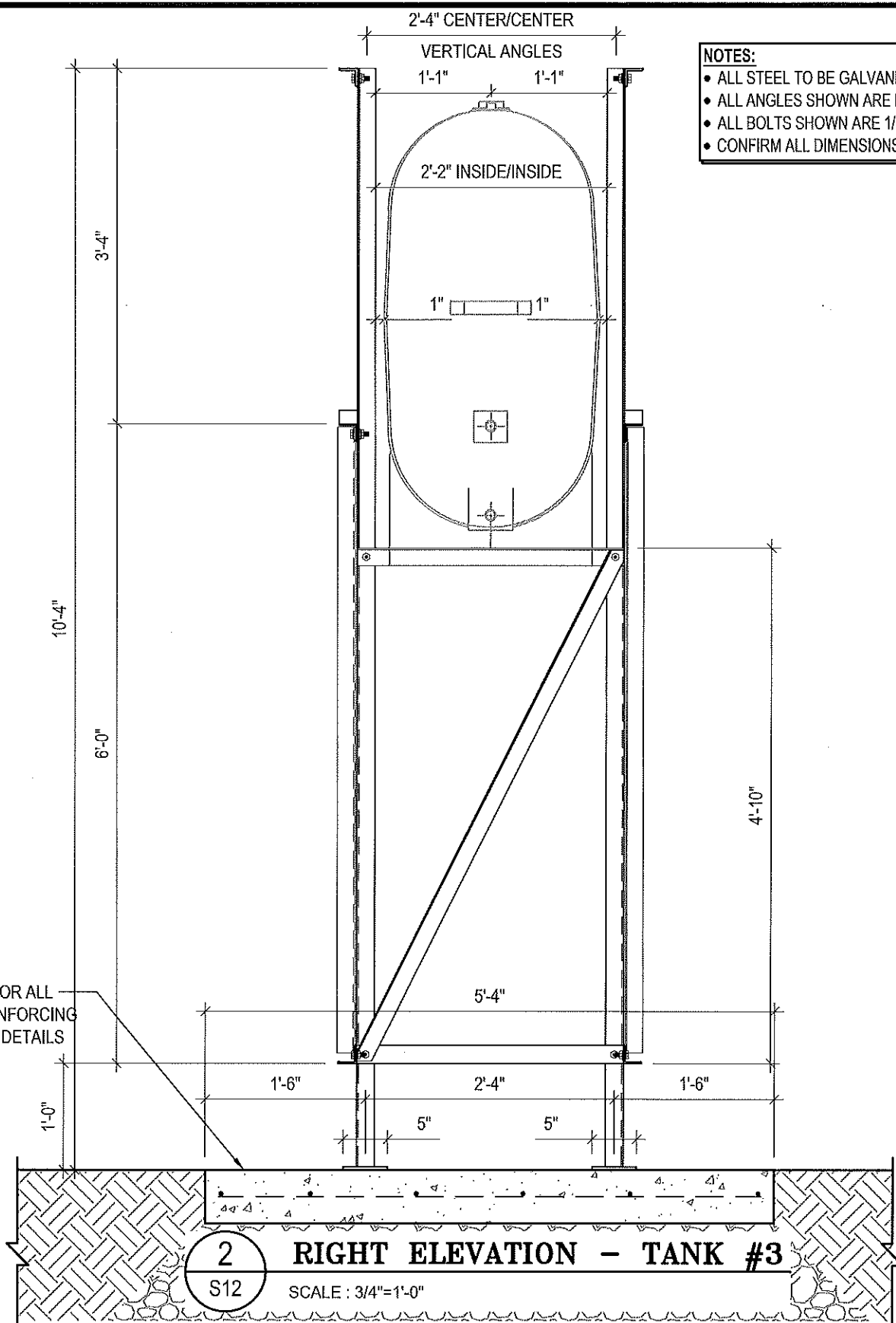
SCALE:
 AS NOTED
 DATE (YY MM DD):
 17 06 12

DRAWING NUMBER:
S11

REVISION NUMBER:
 00



1 LEFT ELEVATION - TANK #3
S12 SCALE: 3/4"=1'-0"



2 RIGHT ELEVATION - TANK #3
S12 SCALE: 3/4"=1'-0"

- NOTES:**
- ALL STEEL TO BE GALVANIZED (GALV) OR STAINLESS STEEL (SS)
 - ALL ANGLES SHOWN ARE L2"x2"x3/16" (U/N/O)
 - ALL BOLTS SHOWN ARE 1/2"Øx2" LONG (U/N/O)
 - CONFIRM ALL DIMENSIONS SHOWN WITH MECH. DRAWINGS



PROJECT TITLE:
RCMP "V" DIVISION OIL TANK REPLACEMENT
SHEET TITLE:
TANK #3 - ELEVATIONS
PROJECT NUMBER:
17-122-CG-39

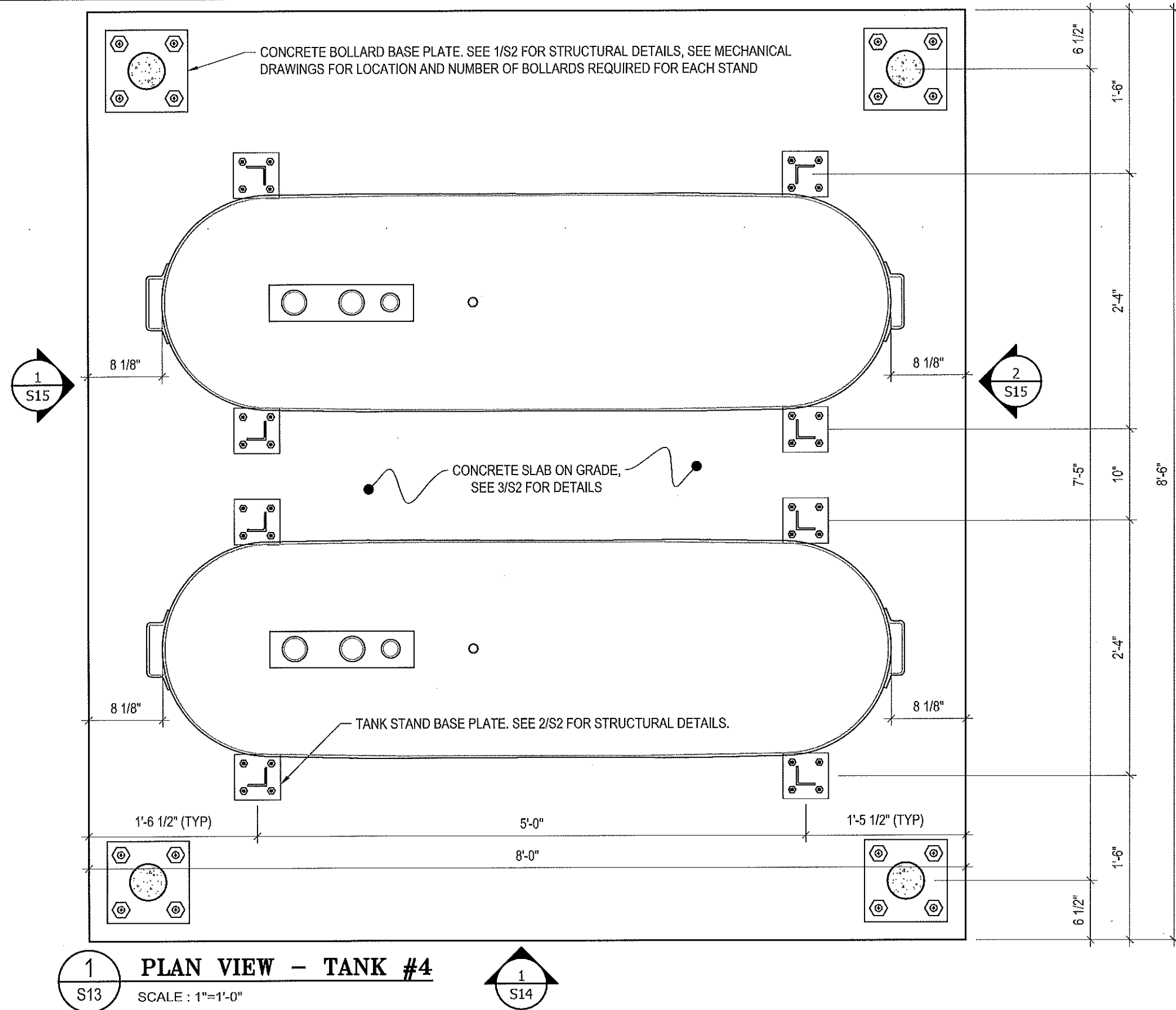


REV. #	REVISION	DATE (YY MM DD)	REV. BY
03	ISSUED FOR TENDER	17 06 12	RH
02	ISSUED FOR 99% REVIEW	17 05 30	RH
01	ISSUED FOR REVIEW	17 03 31	RH

REV. #	REVISION	DATE (YY MM DD)	REV. BY

SCALE:
AS NOTED
DATE (YY MM DD):
17 06 12

DRAWING NUMBER:
S12
REVISION NUMBER:
00



PROJECT TITLE:
RCMP "V" DIVISION OIL TANK REPLACEMENT

SHEET TITLE:
TANK #4 - PLAN VIEW

PROJECT NUMBER:
17-122-CG-39



REV. #	REVISION	DATE (YY MM DD)	REV. BY
03	ISSUED FOR TENDER	17 06 12	RH
02	ISSUED FOR 99% REVIEW	17 05 30	RH
01	ISSUED FOR REVIEW	17 03 31	RH

REV. #	REVISION	DATE (YY MM DD)	REV. BY

SCALE:
AS NOTED

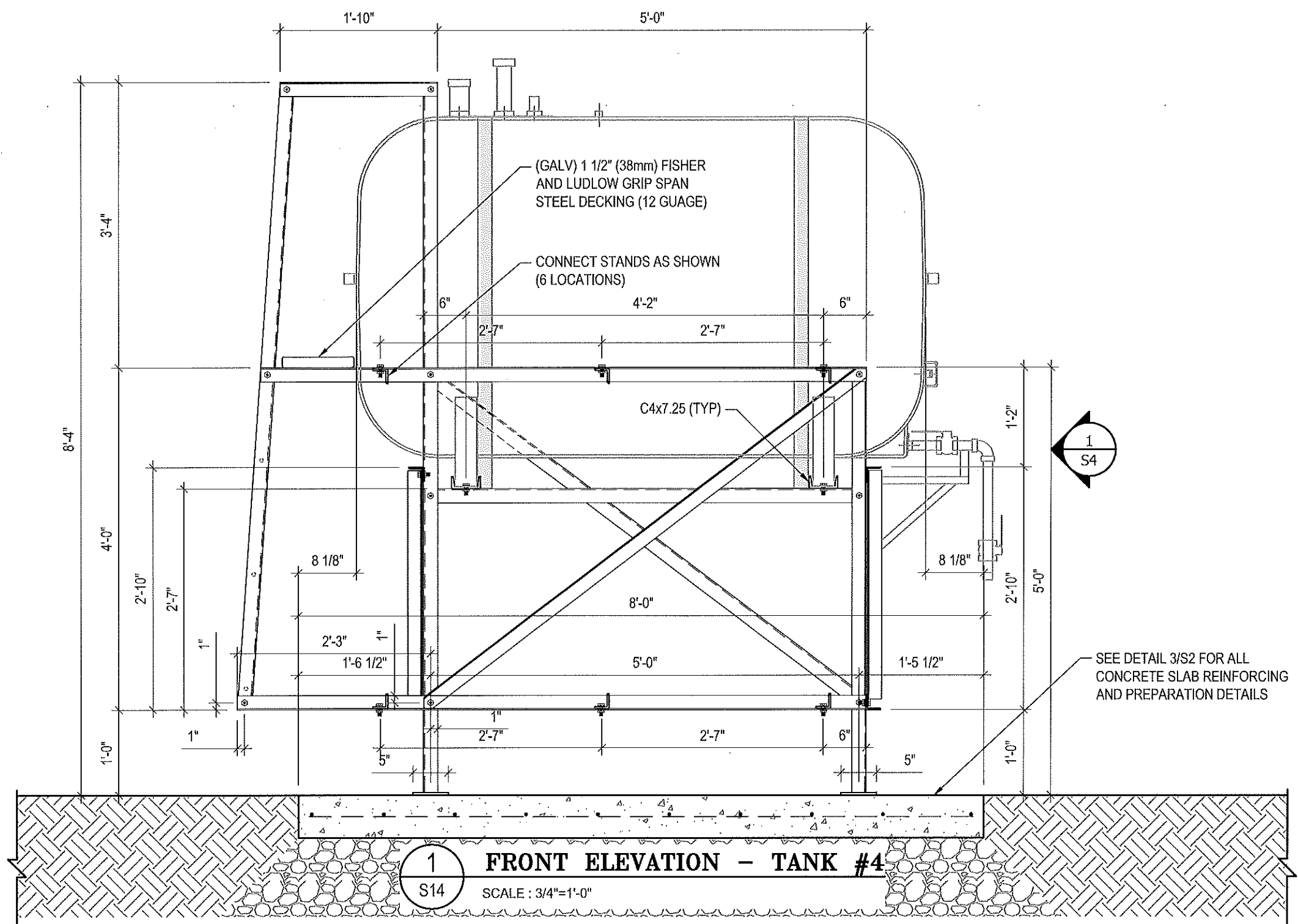
DATE (YY MM DD):
17 06 12

DRAWING NUMBER:

S13

REVISION NUMBER:
00

- NOTES:**
- ALL STEEL TO BE GALVANIZED (GALV) OR STAINLESS STEEL (SS)
 - ALL ANGLES SHOWN ARE L2"x2"x3/16" (U/N/O)
 - ALL BOLTS SHOWN ARE 1/2"x2" LONG (U/N/O)
 - CONFIRM ALL DIMENSIONS SHOWN WITH MECH. DRAWINGS



1
S14
FRONT ELEVATION - TANK #4
SCALE: 3/4"=1'-0"

SEE DETAIL 3/S2 FOR ALL CONCRETE SLAB REINFORCING AND PREPARATION DETAILS



PROJECT TITLE:
RCMP "V" DIVISION OIL TANK REPLACEMENT

SHEET TITLE:
TANK #4 - ELEVATIONS

PROJECT NUMBER:
17-122-CG-39



03	ISSUED FOR TENDER	17 06 12	RH
02	ISSUED FOR 99% REVIEW	17 05 30	RH
01	ISSUED FOR REVIEW	17 03 31	RH
REV. #	REVISION	DATE (YY MM DD)	REV. BY

REV. #	REVISION	DATE (YY MM DD)	REV. BY
--------	----------	-----------------	---------

SCALE:
AS NOTED

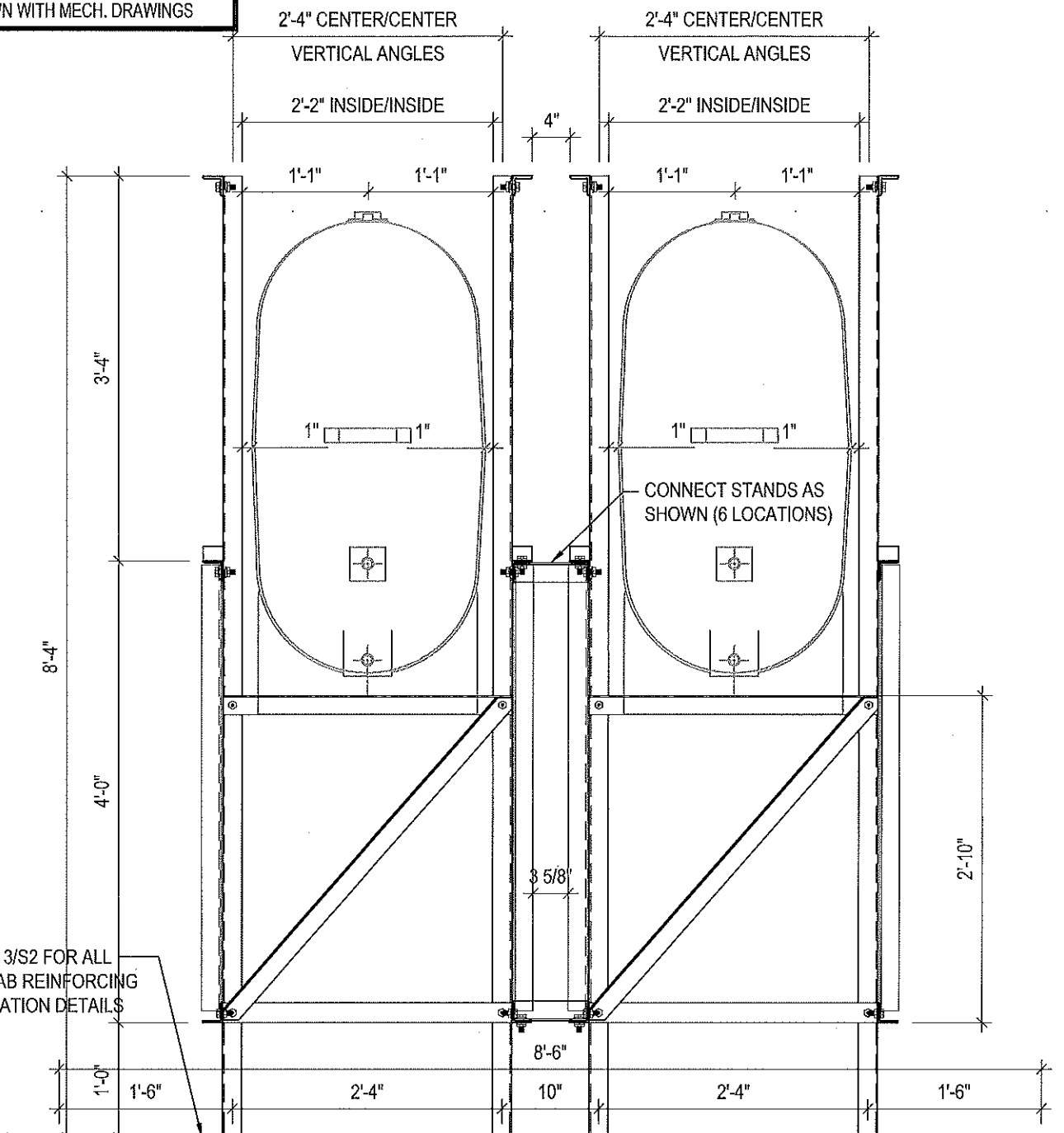
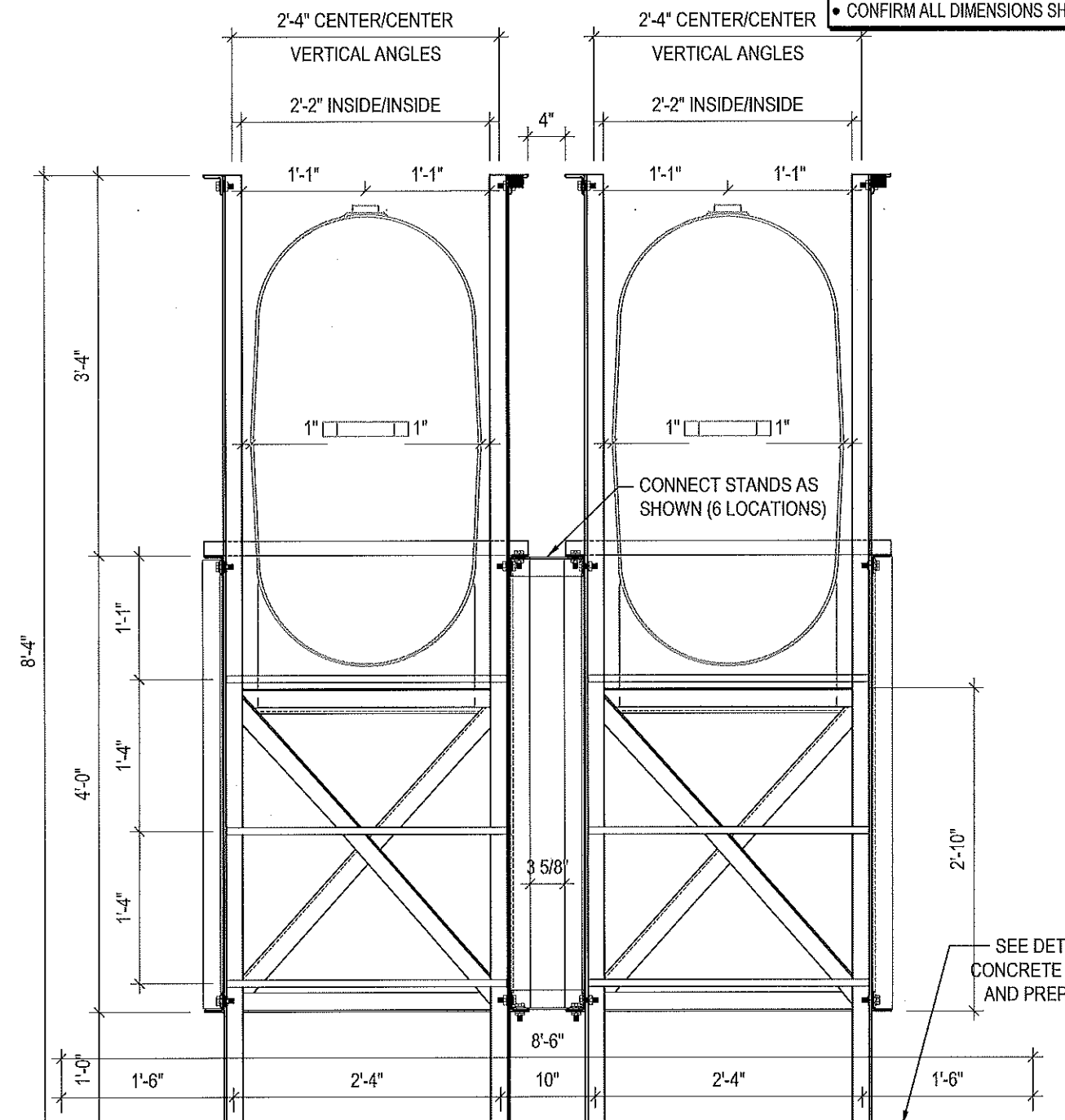
DATE (YY MM DD):
17 06 12

DRAWING NUMBER:
S14

REVISION NUMBER:
00

NOTES:

- ALL STEEL TO BE GALVANIZED (GALV) OR STAINLESS STEEL (SS)
- ALL ANGLES SHOWN ARE L2"x2"x3/16" (U/N/O)
- ALL BOLTS SHOWN ARE 1/2"Øx2" LONG (U/N/O)
- CONFIRM ALL DIMENSIONS SHOWN WITH MECH. DRAWINGS



1 LEFT ELEVATION - TANK #4
S15 SCALE: 3/4"=1'-0"

2 RIGHT ELEVATION - TANK #4
S15 SCALE: 3/4"=1'-0"



PROJECT TITLE:
RCMP "V" DIVISION OIL TANK REPLACEMENT
SHEET TITLE:
TANK #4 - ELEVATIONS
PROJECT NUMBER:
17-122-CG-39

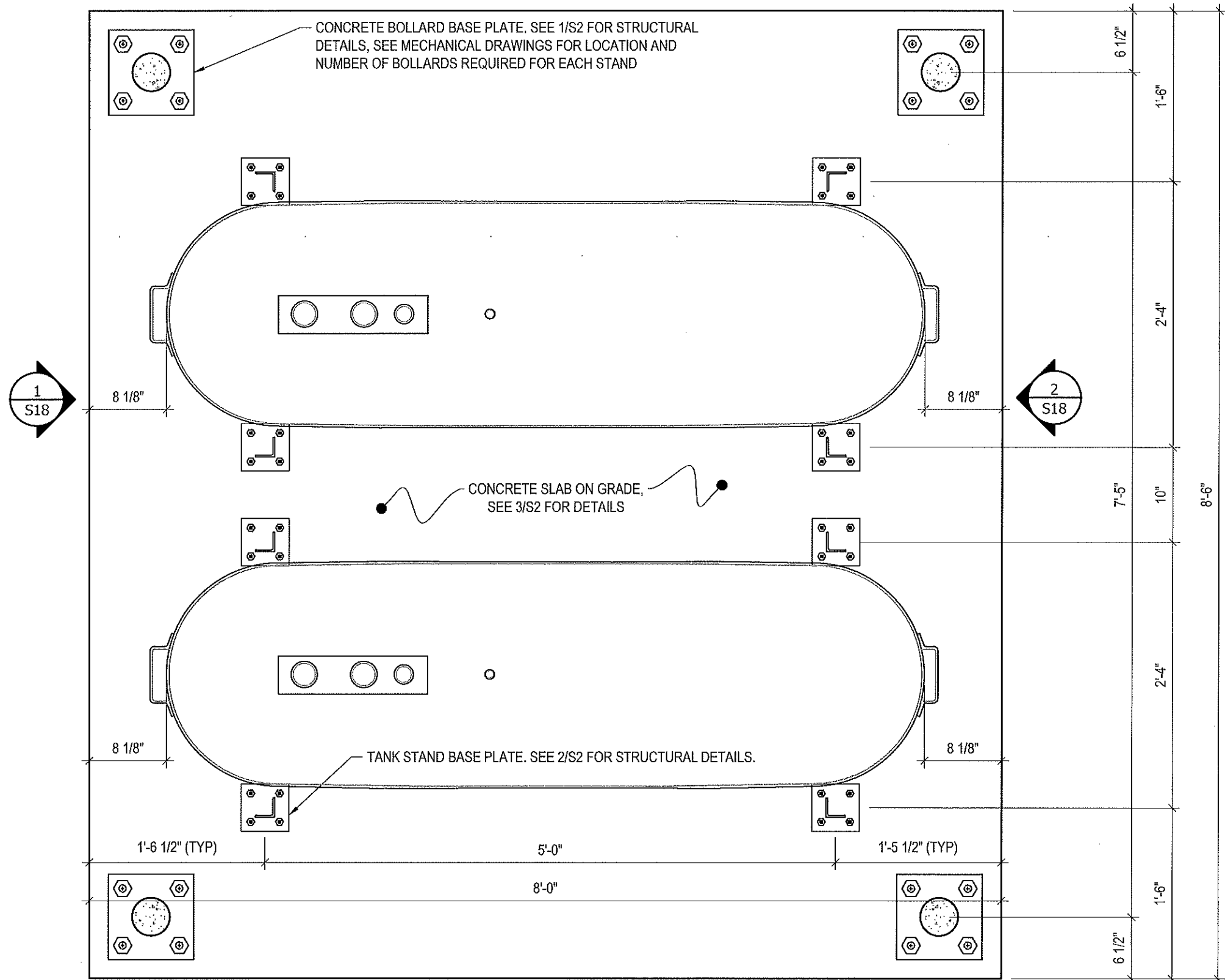


03	ISSUED FOR TENDER	17 06 12	RH
02	ISSUED FOR 99% REVIEW	17 05 30	RH
01	ISSUED FOR REVIEW	17 03 31	RH
REV. #	REVISION	DATE (YY MM DD)	REV. BY

REV. #	REVISION	DATE (YY MM DD)	REV. BY
--------	----------	-----------------	---------

SCALE:
AS NOTED
DATE (YY MM DD):
17 06 12

DRAWING NUMBER:
S15
REVISION NUMBER:
00



1 PLAN VIEW - TANK #5
 S16 SCALE : 1"=1'-0"



PROJECT TITLE:
 RCMP "V" DIVISION OIL TANK REPLACEMENT
 SHEET TITLE:
 TANK #5 - PLAN VIEW
 PROJECT NUMBER:
 17-122-CG-39

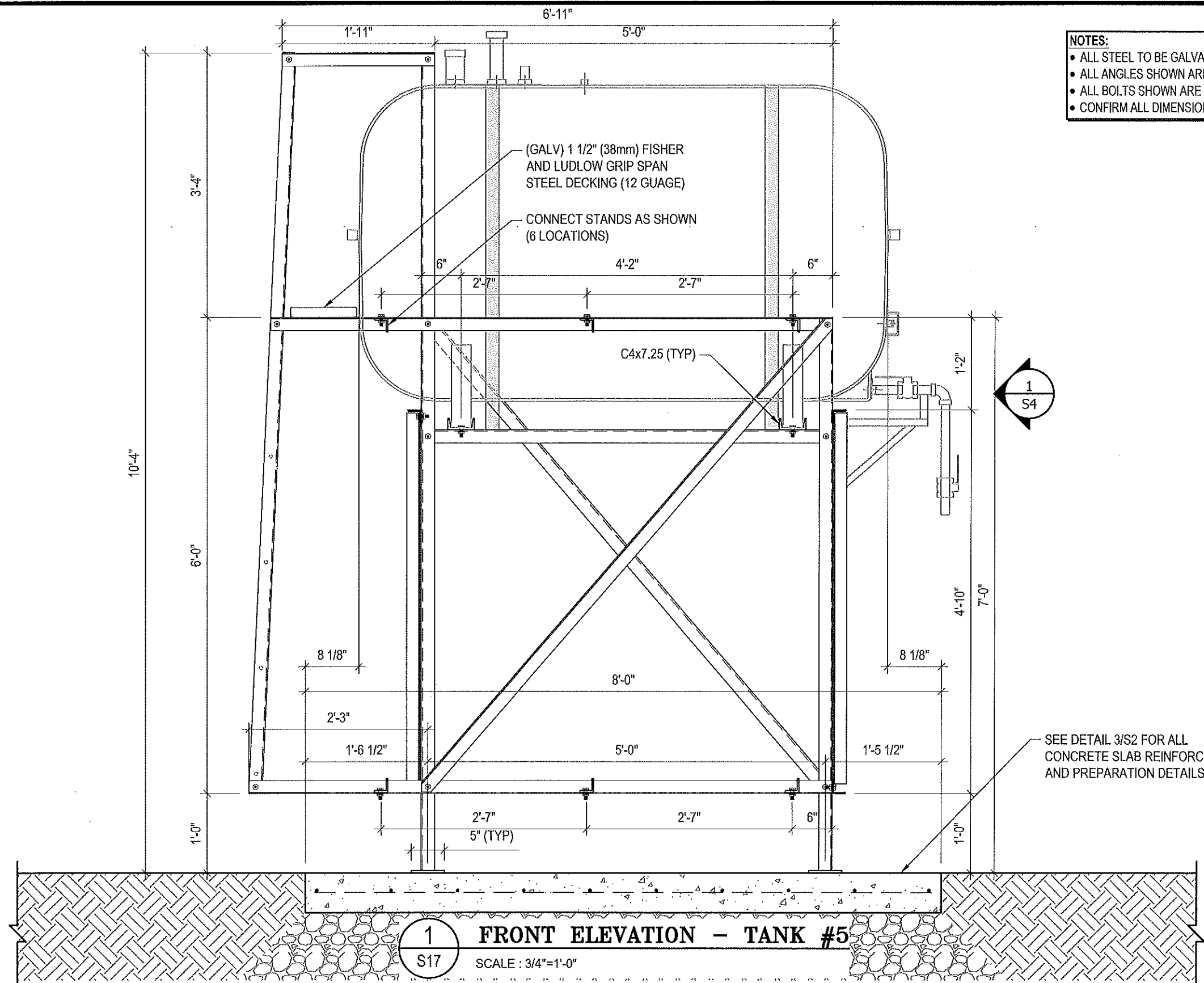


REV. #	REVISION	DATE (YY MM DD)	REV. BY
03	ISSUED FOR TENDER	17 06 12	RH
02	ISSUED FOR 99% REVIEW	17 05 30	RH
01	ISSUED FOR REVIEW	17 03 31	RH

REV. #	REVISION	DATE (YY MM DD)	REV. BY

SCALE:
 AS NOTED
 DATE (YY MM DD):
 17 06 12

DRAWING NUMBER:
S16
 REVISION NUMBER:
 00



- NOTES:**
- ALL STEEL TO BE GALVANIZED (GALV) OR STAINLESS STEEL (SS)
 - ALL ANGLES SHOWN ARE L2"x2"x3/16" (U/N/O)
 - ALL BOLTS SHOWN ARE 1/2"Øx2" LONG (U/N/O)
 - CONFIRM ALL DIMENSIONS SHOWN WITH MECH. DRAWINGS

1
S17

FRONT ELEVATION - TANK #5

SCALE : 3/4"=1'-0"



PROJECT TITLE:
RCMP "V" DIVISION OIL TANK REPLACEMENT

SHEET TITLE:
TANK #5 - ELEVATIONS

PROJECT NUMBER:
17-122-CG-39

Beach Rocke
ENGINEERING LTD.

Professional Engineering Services
1050 St. Mary's Road, Winnipeg, Manitoba R2M 3S9
Telephone: (204) 255 7221 Fax: (204) 257 7230
Website: www.beachrocke.ca

03	ISSUED FOR TENDER	17 06 12	RH
02	ISSUED FOR 99% REVIEW	17 05 30	RH
01	ISSUED FOR REVIEW	17 03 31	RH
REV. #	REVISION	DATE (YY MM DD)	REV. BY

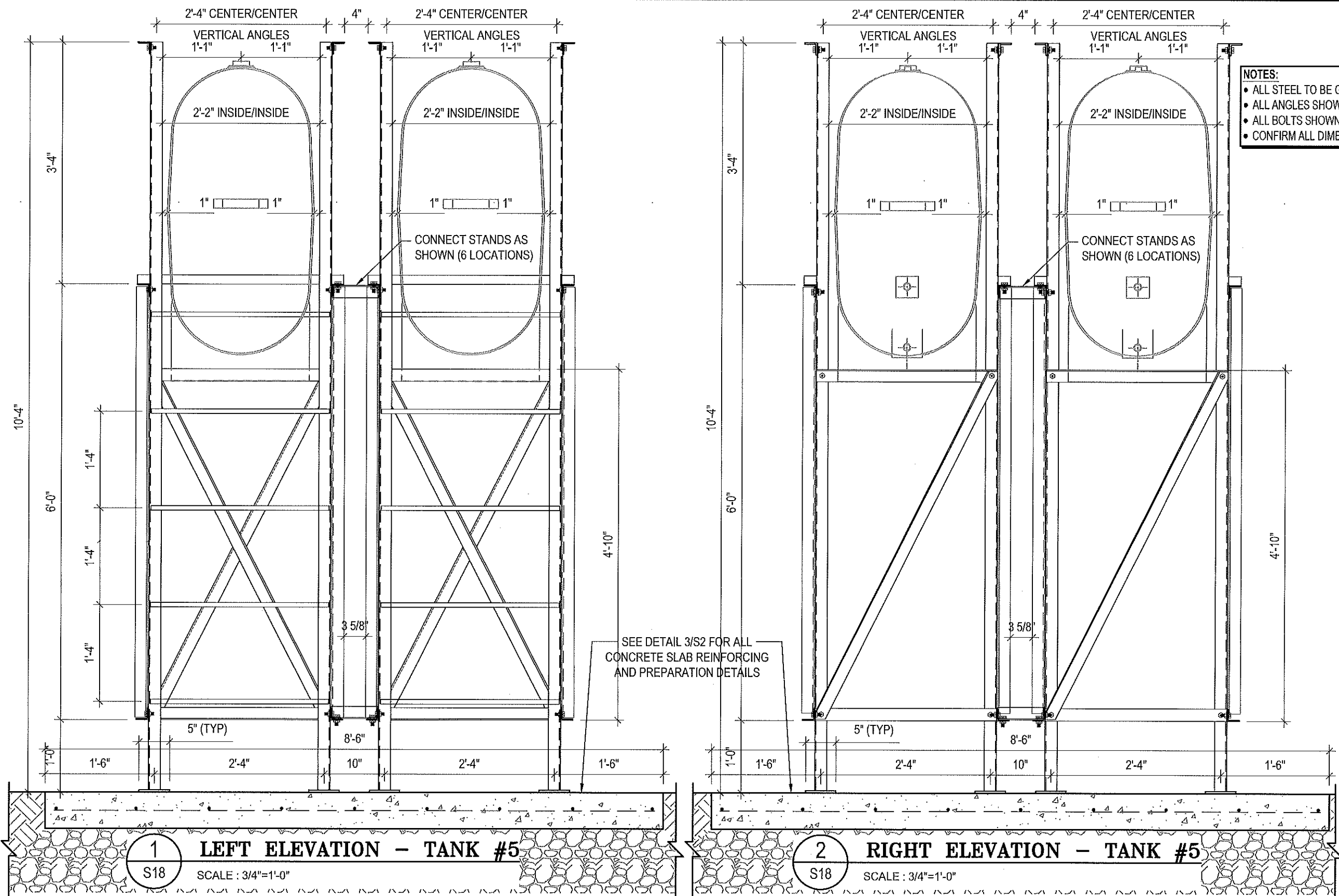
REV. #	REVISION	DATE (YY MM DD)	REV. BY
--------	----------	-----------------	---------

SCALE:
AS NOTED

DATE (YY MM DD):
17 06 12

DRAWING NUMBER:
S17

REVISION NUMBER:
00



- NOTES:**
- ALL STEEL TO BE GALVANIZED (GALV) OR STAINLESS STEEL (SS)
 - ALL ANGLES SHOWN ARE L2"x2"x3/16" (U/N/O)
 - ALL BOLTS SHOWN ARE 1/2"Øx2" LONG (U/N/O)
 - CONFIRM ALL DIMENSIONS SHOWN WITH MECH. DRAWINGS

1 LEFT ELEVATION - TANK #5
S18 SCALE: 3/4"=1'-0"

2 RIGHT ELEVATION - TANK #5
S18 SCALE: 3/4"=1'-0"



PROJECT TITLE:
RCMP "V" DIVISION OIL TANK REPLACEMENT
SHEET TITLE:
TANK #5 - ELEVATIONS
PROJECT NUMBER:
17-122-CG-39



REV. #	REVISION	DATE (YY MM DD)	REV. BY
03	ISSUED FOR TENDER	17 06 12	RH
02	ISSUED FOR 99% REVIEW	17 05 30	RH
01	ISSUED FOR REVIEW	17 03 31	RH

REV. #	REVISION	DATE (YY MM DD)	REV. BY

SCALE:
AS NOTED
DATE (YY MM DD):
17 06 12

DRAWING NUMBER:
S18
REVISION NUMBER:
00

FUEL TANK REPAIR AND REPLACEMENT PROJECT POND INLET, NUNAVUT

DRAWING LIST:

V135 - RESIDENCE

M1.0 DEMOLITION PLAN
M1.1 CONSTRUCTION PLAN
M2.0 TANK ELEVATIONS
M2.1 2" FUEL LINE SUPPORT DETAIL
M3.0 SCHEMATIC

V136 - GARAGE/GYM AND STORAGE

M1.0 DEMOLITION AND CONSTRUCTION PLAN
M2.0 TANK ELEVATIONS
M2.1 SUPPORT DETAILS 2" FUEL LINE SUPPORT DETAIL
M3.0 SCHEMATIC

V139 - RESIDENCE

M1.0 CONSTRUCTION PLAN

V140 - RESIDENCE

M1.0 DEMOLITION PLAN
M1.1 CONSTRUCTION PLAN
M2.0 TANK ELEVATIONS
M2.1 2" FUEL LINE SUPPORT DETAIL
M3.0 SCHEMATIC

V138 - FACILITY BUILDING

M1.0 MAIN FLOOR DEMOLITION PLAN
M1.1 CRAWL SPACE DEMOLITION PLAN
M2.0 CONSTR MAIN FLOOR
M2.1 CONSTR CRAWL SPACE
M2.2 2" FUEL LINE SUPPORT DETAIL DOUBLE TANK EL - A
M2.3 2" FUEL LINE SUPPORT DETAIL DOUBLE TANK EL - B
M3.0 SCHEMATIC
M3.1 SCHEMATIC - TANK DETAIL

STRUCTURAL DRAWING LIST

S1 STRUCTURAL PROJECT NOTES
S2 TYP TANK SLAB, BOLLARD AND BASE PLATE DETAILS AND ISOMETRIC VIEW OF METAL STAND
S3 CONNECTION #1 DETAILS
S4 CONNECTION #2 DETAILS
S5 TANK #1 - PLAN VIEW OF TANK ON SLAB
S6 TANK #1 - PLAN VIEW OF TANK ON SLAB
S7 TANK #2 - PLAN VIEW OF TANK ON LOW METAL STAND
S8 TANK #2 - ELEVATIONS OF LOW METAL STAND
S9 TANK #2 - ELEVATIONS OF LOW METAL STAND
S10 TANK #3 - PLAN VIEW OF TANK ON HIGH METAL STAND
S11 TANK #3 - ELEVATIONS OF HIGH METAL STAND
S12 TANK #3 - ELEVATIONS OF HIGH METAL STAND
S13 TANK #4 - PLAN VIEW OF TANK ON LOW DOUBLE METAL STAND
S14 TANK #4 - ELEVATIONS OF LOW DOUBLE METAL STAND
S15 TANK #4 - ELEVATIONS OF LOW DOUBLE METAL STAND
S16 TANK #5 - PLAN VIEW OF TANK ON HIGH DOUBLE METAL STAND
S17 TANK #5 - ELEVATIONS OF HIGH DOUBLE METAL STAND
S18 TANK #5 - ELEVATIONS OF HIGH DOUBLE METAL STAND



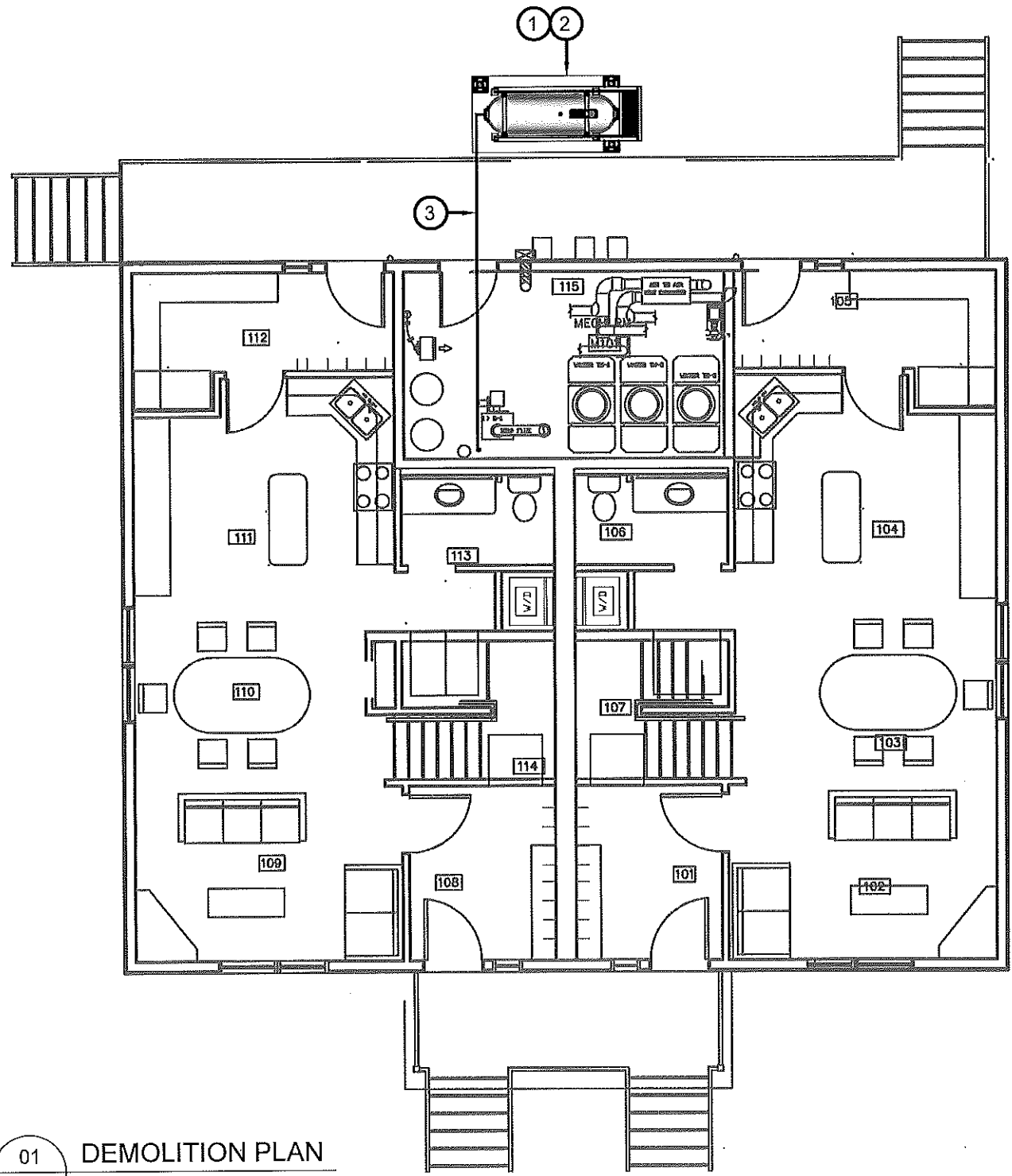
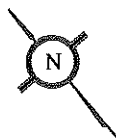
PROJECT TITLE:
RCMP "V" DIVISION OIL TANK REPLACEMENT - POND INLET
SHEET TITLE:
TITLE PAGE
PROJECT NUMBER:
16-028-14-30

00 ISSUED FOR TENDER 17 06 09 JLS
REV. # | REVISION | DATE (YY MM DD) | REV. BY

REV. # | REVISION | DATE (YY MM DD) | REV. BY

SCALE:
AS NOTED
DATE (YY MM DD):
17 06 09

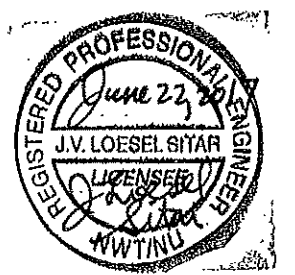
DRAWING NUMBER:
M0.0
REVISION NUMBER:
00



DEMOLITION NOTES: #

1. REMOVE ALL FUEL FROM THE TANK AND DISPOSE OF AS PER LOCAL REGULATIONS.
2. REMOVE EXISTING OIL TANK, STAND AND PAD DISPOSE OF AS PER LOCAL REGULATIONS.
3. REMOVE ALL PIPING UNDER DUPLEX TO EXISTING BOILER.

01 DEMOLITION PLAN
 M1.0 SCALE: 1/8"=1'-0"



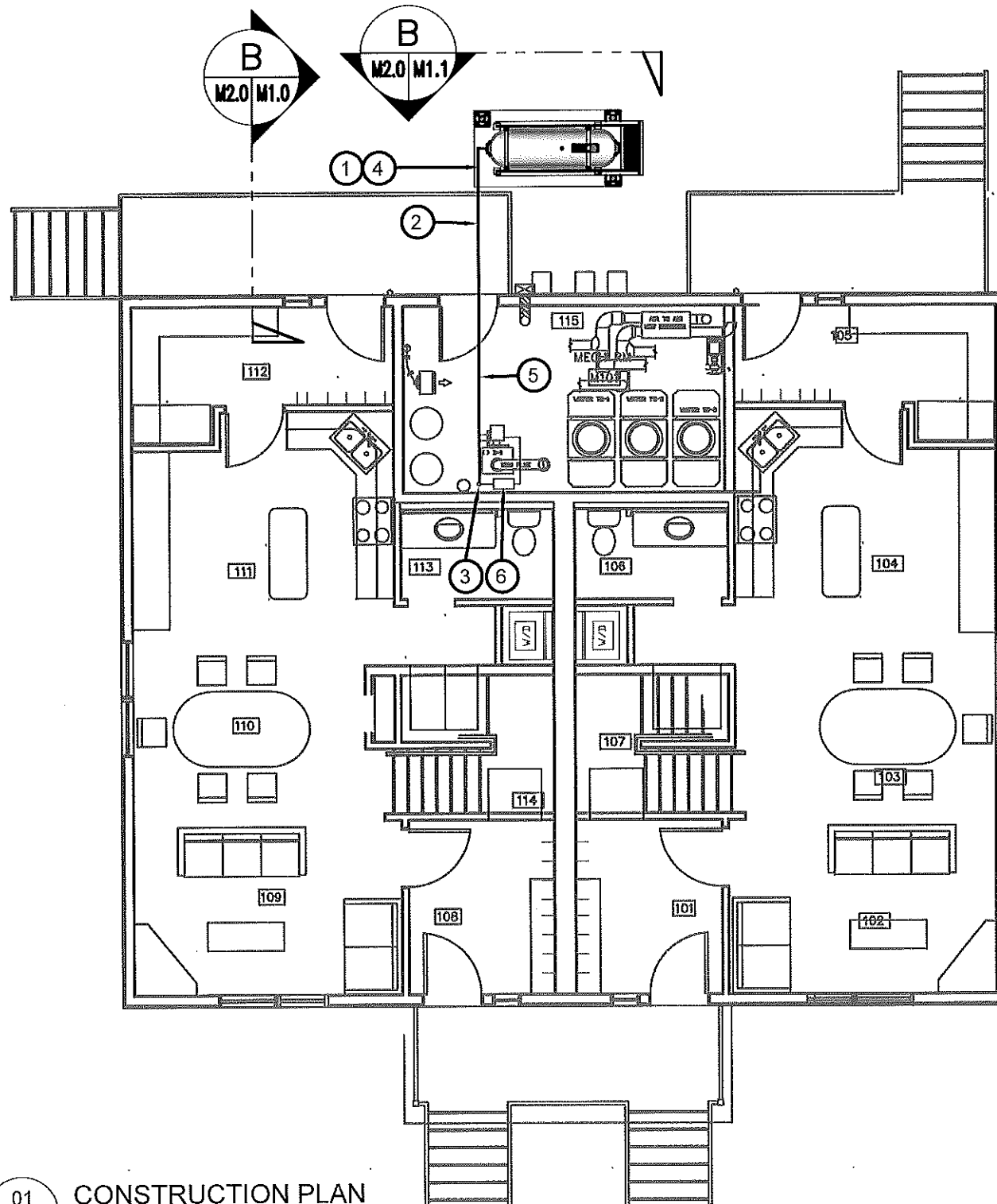
PROJECT TITLE:
 RCMP "V" DIVISION OIL TANK REPLACEMENT - POND INLET
 V135 - DUPLEX RESIDENCE , POND INLET
 SHEET TITLE:
 DEMOLITION PLAN
 PROJECT NUMBER:
 16-028-14-30

00	ISSUED FOR TENDER	17 06 09	JLS
REV. #	REVISION	DATE (YY MM DD)	REV. BY

REV. #	REVISION	DATE (YY MM DD)	REV. BY
--------	----------	-----------------	---------

SCALE:
 AS NOTED
 DATE (YY MM DD):
 17 06 09

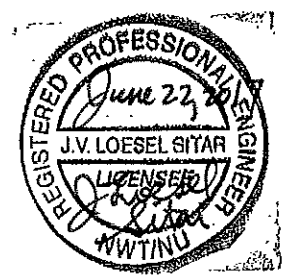
DRAWING NUMBER:
M1.0
 REVISION NUMBER:
 00



CONSTRUCTION NOTES: #

1. INSTALL NEW OIL TANK, STAND AND CONCRETE PAD. SEE SHEET M2.0
2. INSTALL NEW PIPING SUPPORT AS PER SHEET M2.1. INSTALL PIPE HANGERS AS REQUIRED TO SUPPORT PIPING UNDER DUPLEX
3. CAULK ENTRY INTO BUILDING.
4. INSTALL NEW OIL TANK #3 - SEE STRUCTURAL FOR DETAILS.
5. INSTALL NEW 2" DIA SCH 40 PIPE AND HANGERS AS PER SPECIFICATION
6. INSTALL NEW WARMING PIPE, FUEL FILTER, FUSIBLE LINK, TIGER LOOP AND DRIP TRAYS.

01 CONSTRUCTION PLAN
M1.1 SCALE: 1/8"=1'-0"



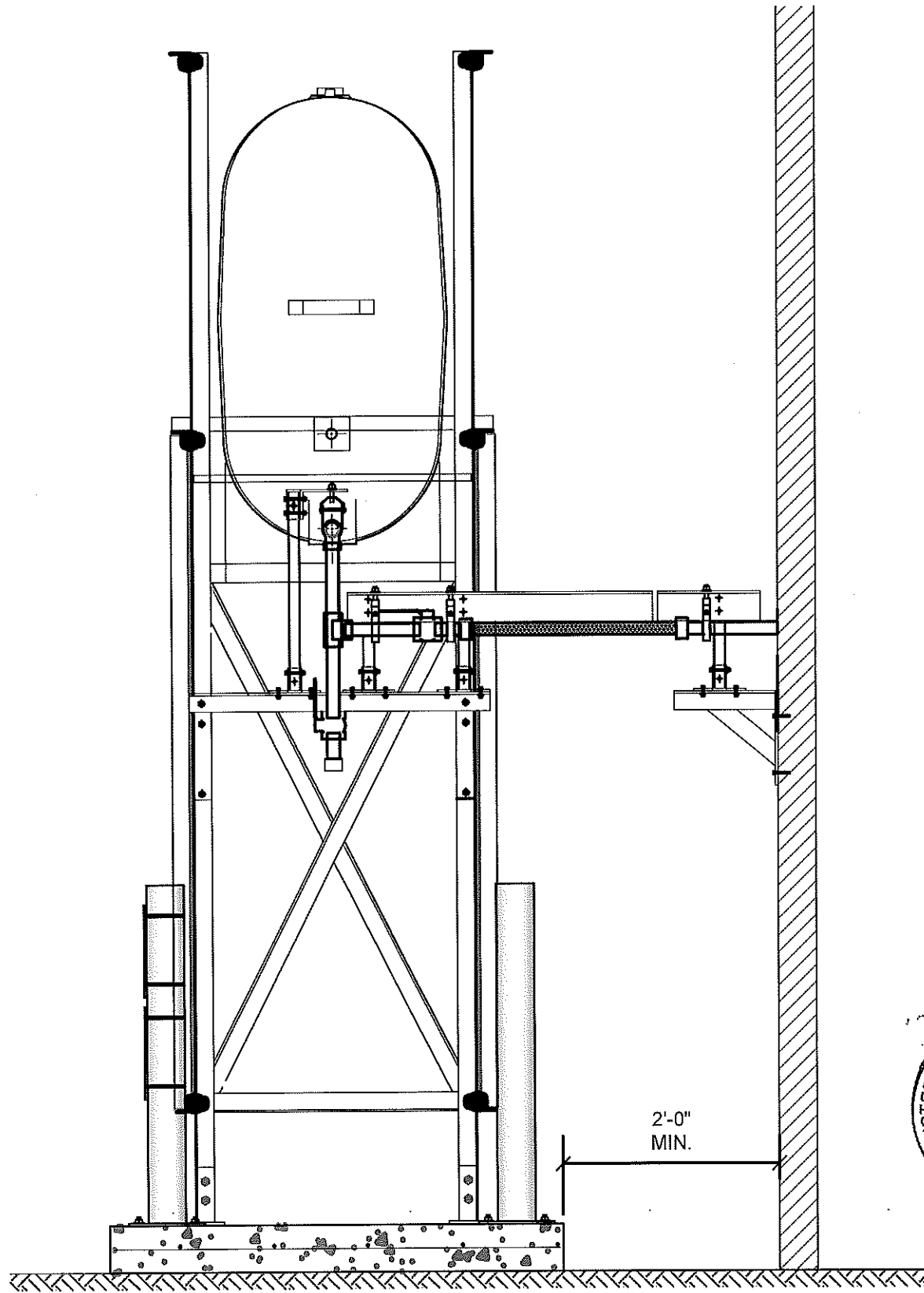
PROJECT TITLE:
RCMP "V" DIVISION OIL TANK REPLACEMENT - POND INLET
V135 - DUPLEX RESIDENCE, POND INLET
SHEET TITLE:
DEMOLITION AND CONSTRUCTION PLAN
PROJECT NUMBER:
16-028-14-30

00 ISSUED FOR TENDER 17 08 09 JLS
REV. # REVISION DATE (YY MM DD) REV. BY

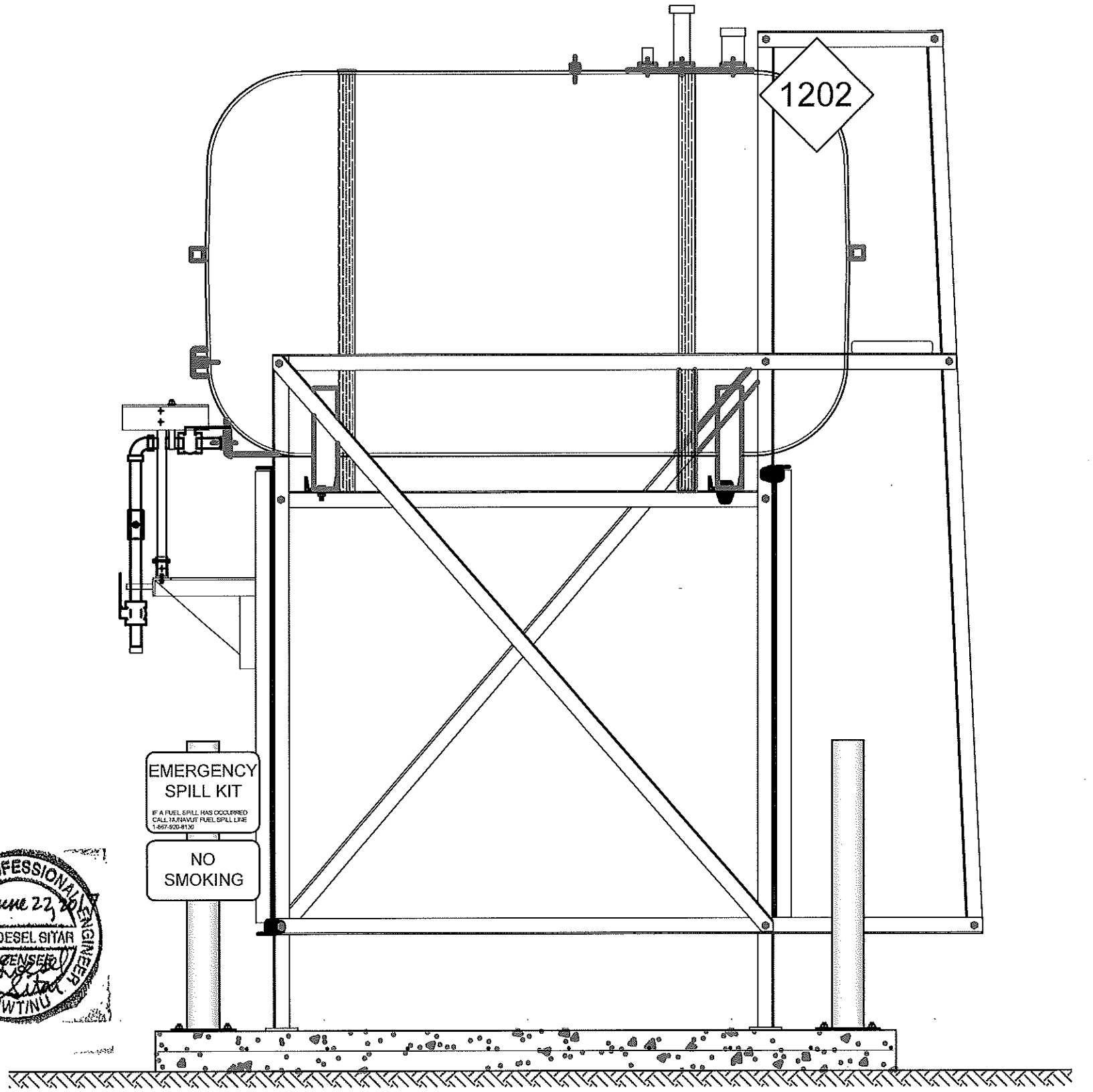
REV. # REVISION DATE (YY MM DD) REV. BY

SCALE:
AS NOTED
DATE (YY MM DD):
17 06 90

DRAWING NUMBER:
M1.1
REVISION NUMBER:
00



01 OIL TANK ELEVATION - A
M2.0 SCALE: 3/4"-1'-0"



02 OIL TANK ELEVATION - B
M2.0 SCALE: 3/4"-1'-0"



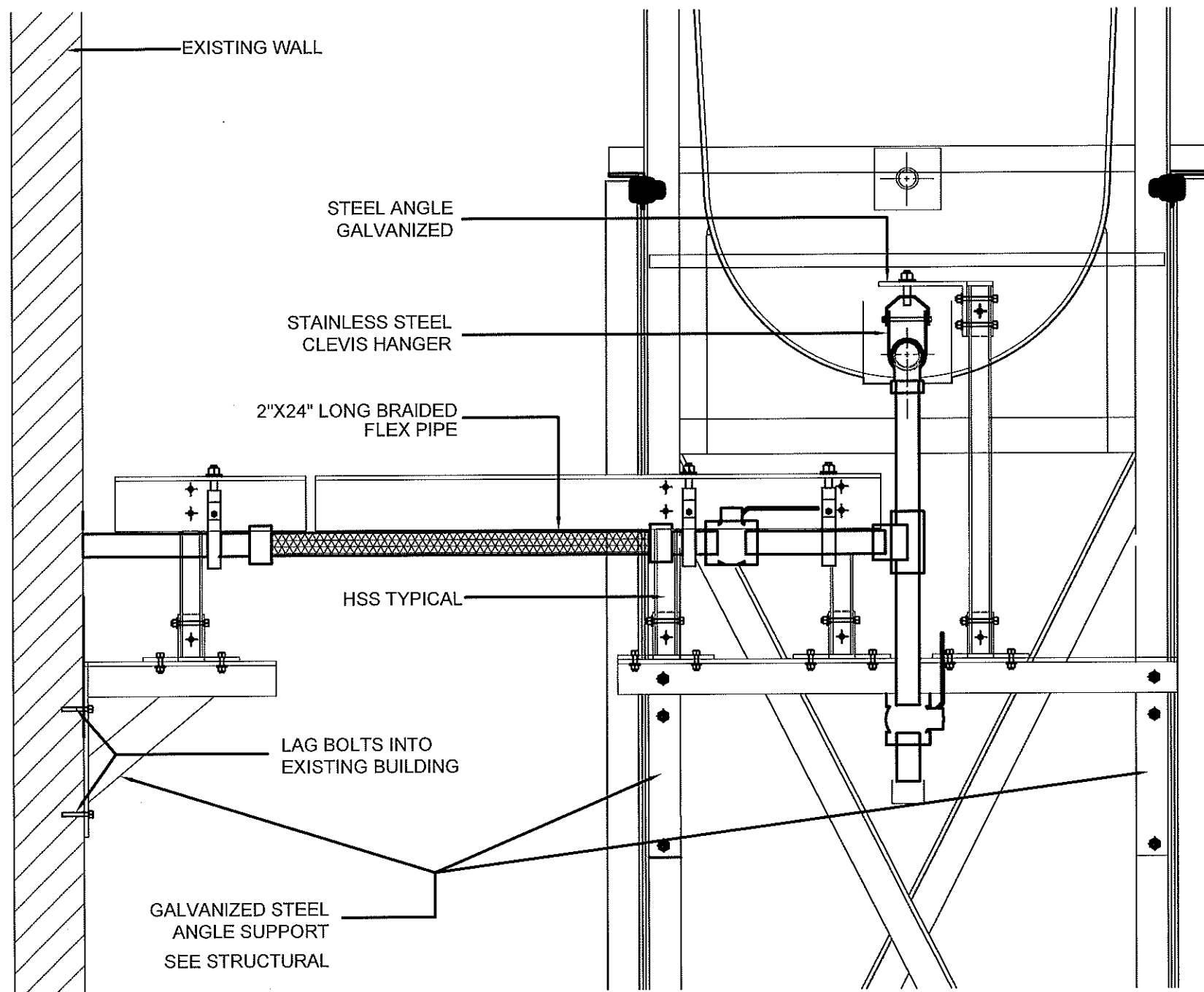
PROJECT TITLE:
RCMP "V" DIVISION OIL TANK REPLACEMENT - POND INLET
V135 - DUPLEX RESIDENCE, POND INLET
SHEET TITLE:
TANK ELEVATIONS
PROJECT NUMBER:
16-028-14-30

00	ISSUED FOR TENDER	17 06 09	JLS
REV. #	REVISION	DATE (YY MM DD)	REV. BY

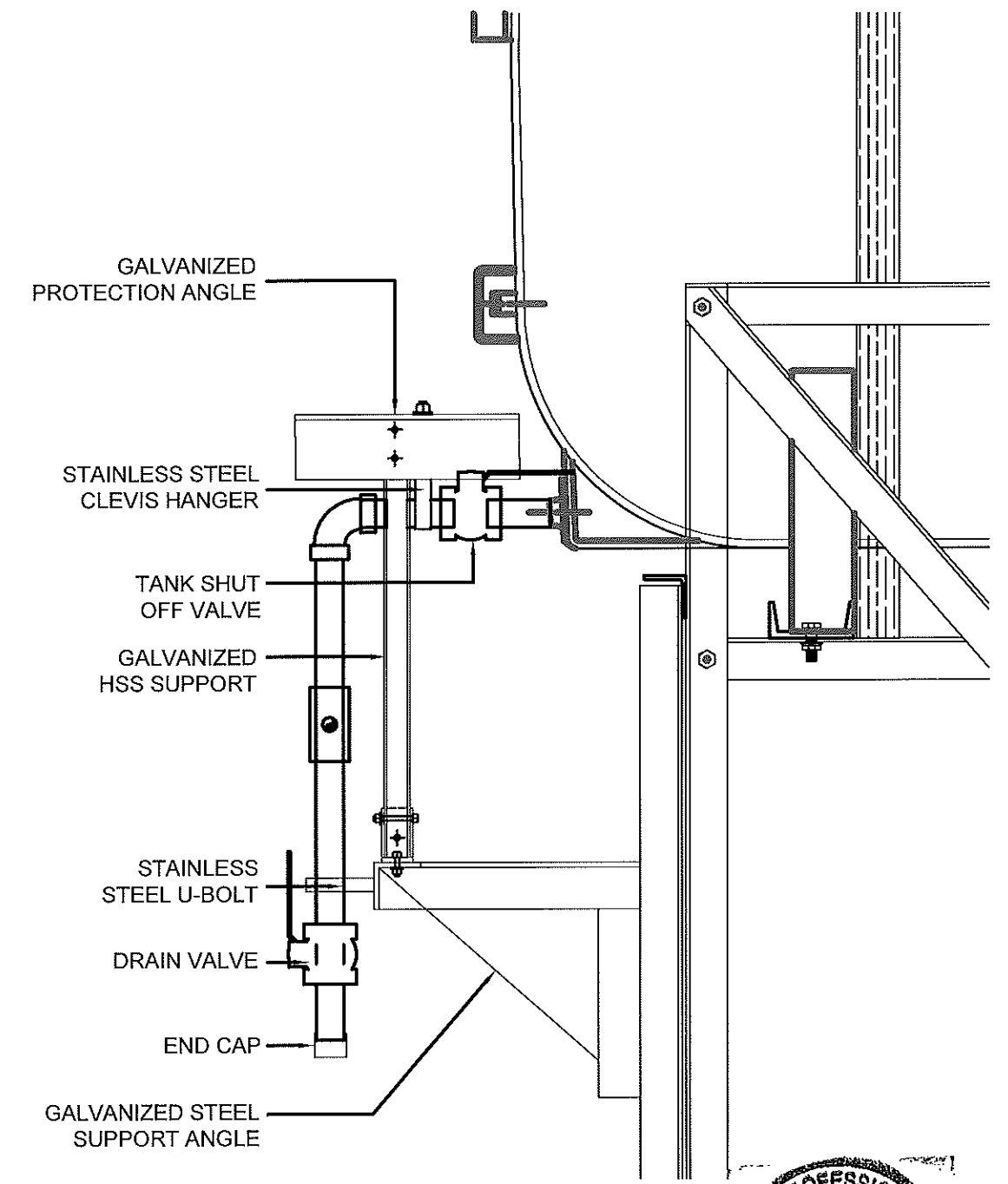
REV. #	REVISION	DATE (YY MM DD)	REV. BY
--------	----------	-----------------	---------

SCALE:
AS NOTED
DATE (YY MM DD):
17 06 09

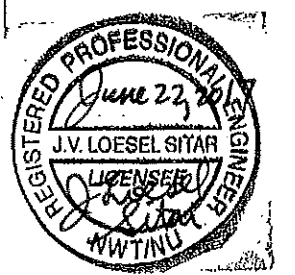
DRAWING NUMBER:
M2.0
REVISION NUMBER:
00



01 FRONT VIEW
M2.1 SCALE: 1 1/2"-1'-0"



02 SIDE VIEW
M2.1 SCALE: 1 1/2"-1'-0"



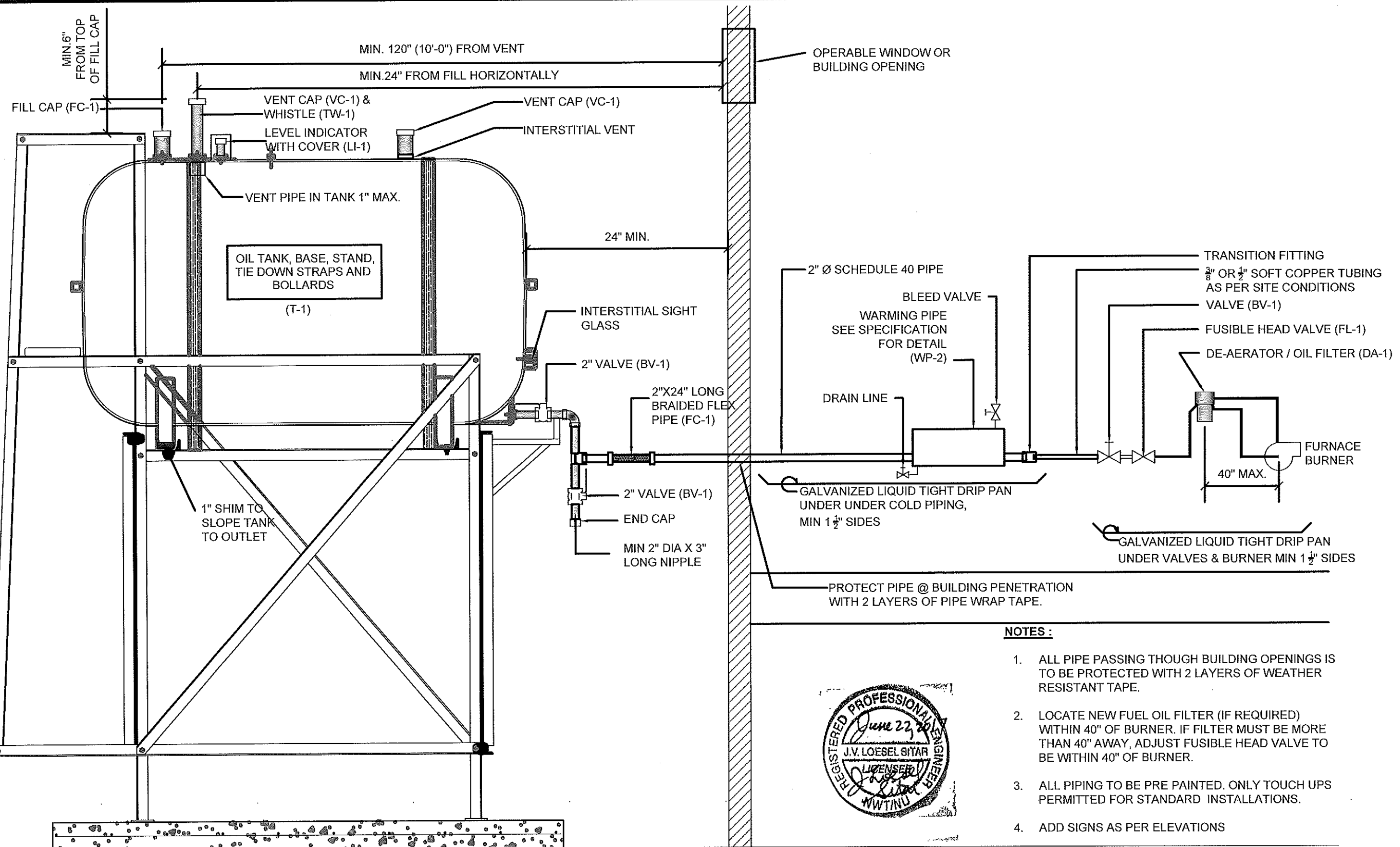
PROJECT TITLE:
RCMP "V" DIVISION OIL TANK REPLACEMENT - POND INLET
V135 - DUPLEX RESIDENCE , POND INLET
SHEET TITLE:
2" FUEL LINE SUPPORT DETAIL
PROJECT NUMBER:
16-028-14-30

REV. #	REVISION	DATE (YY MM DD)	REV. BY
00	ISSUED FOR TENDER	17 06 09	JLS

REV. #	REVISION	DATE (YY MM DD)	REV. BY

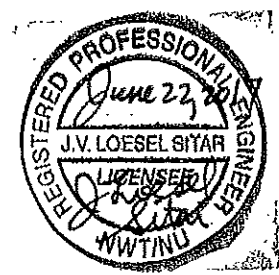
SCALE:
AS NOTED
DATE (YY MM DD):
17 06 09

DRAWING NUMBER:
M2.1
REVISION NUMBER:
00



NOTES :

1. ALL PIPE PASSING THOUGH BUILDING OPENINGS IS TO BE PROTECTED WITH 2 LAYERS OF WEATHER RESISTANT TAPE.
2. LOCATE NEW FUEL OIL FILTER (IF REQUIRED) WITHIN 40" OF BURNER. IF FILTER MUST BE MORE THAN 40" AWAY, ADJUST FUSIBLE HEAD VALVE TO BE WITHIN 40" OF BURNER.
3. ALL PIPING TO BE PRE PAINTED. ONLY TOUCH UPS PERMITTED FOR STANDARD INSTALLATIONS.
4. ADD SIGNS AS PER ELEVATIONS



01 SCHEMATIC - TANK, PIPING & ACCESSORIES : ON STAND
M3.0 SCALE: NTS



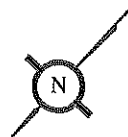
PROJECT TITLE:
RCMP "V" DIVISION OIL TANK REPLACEMENT - POND INLET
V135 - DUPLEX RESIDENCE , POND INLET
SHEET TITLE:
SCHEMATIC - TANK, PIPING & ACCESSORIES
PROJECT NUMBER:
16-028-14-30

00 ISSUED FOR TENDER 17 06 09 JLS
REV. # REVISION DATE (YY MM DD) REV. BY

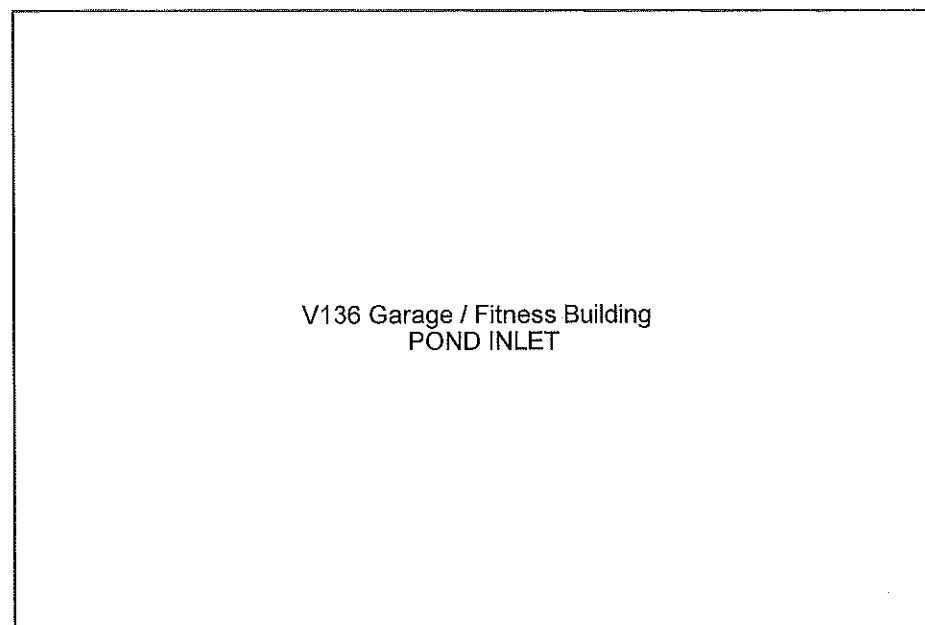
REV. # REVISION DATE (YY MM DD) REV. BY

SCALE:
AS NOTED
DATE (YY MM DD):
17 06 09

DRAWING NUMBER:
M3.0
REVISION NUMBER:
00



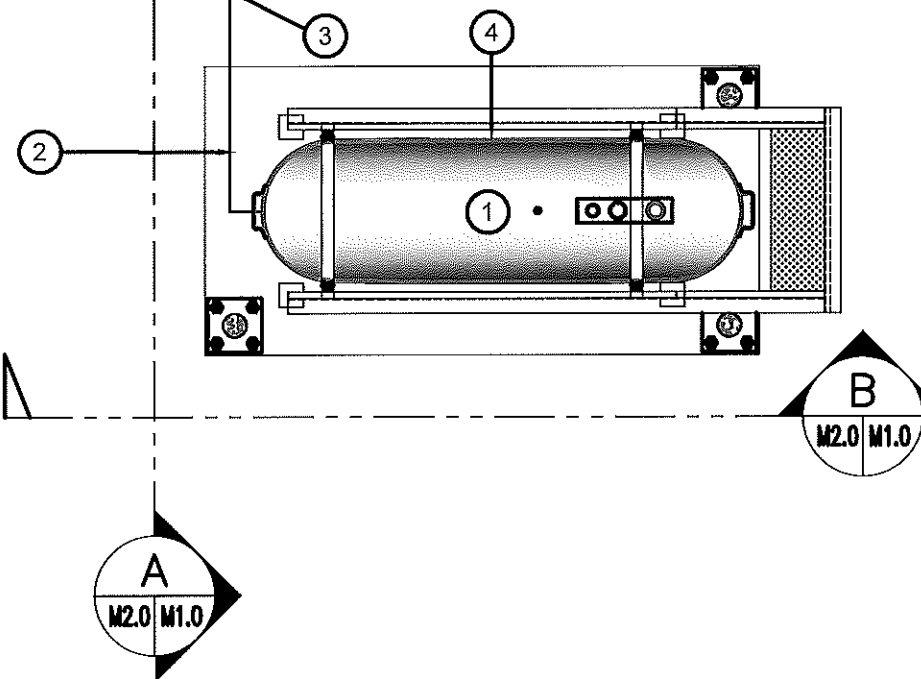
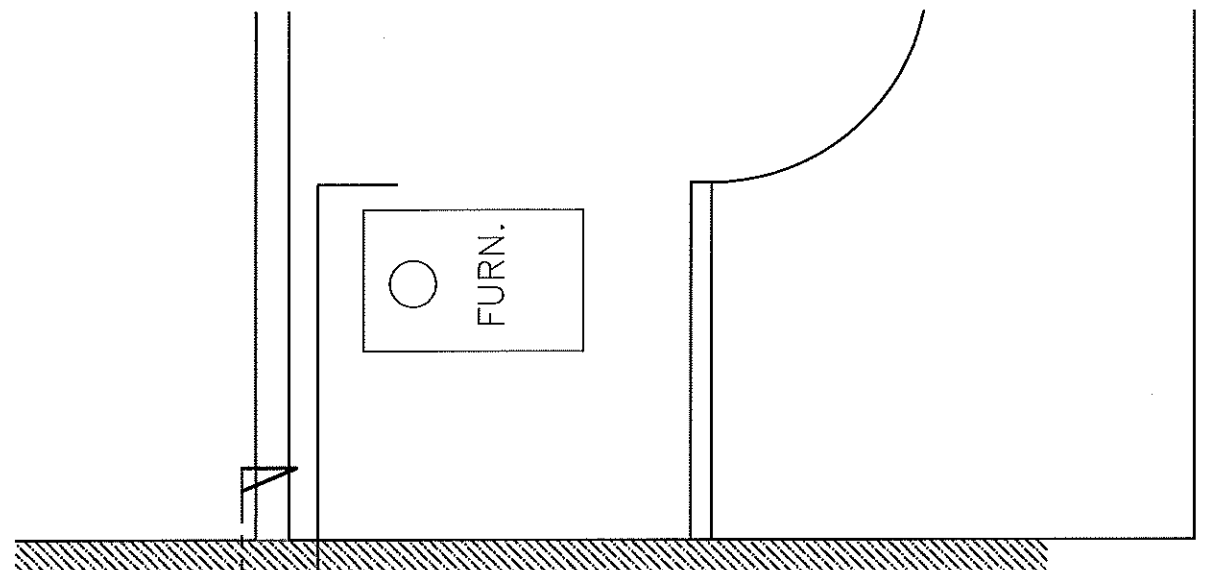
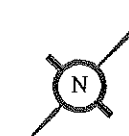
FRONT



01 DEMOLITION PLAN
M1.0 SCALE: NTS

DEMOLITION NOTES:

1. REMOVE ALL FUEL FROM THE TANK AND DISPOSE OF AS PER LOCAL REGULATIONS.
2. REMOVE EXISTING ROTH 1000L OIL TANK AND PAD DISPOSE OF AS PER LOCAL REGULATIONS.



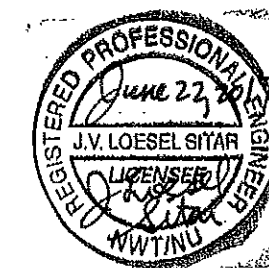
02 CONSTRUCTION PLAN
M1.0 SCALE: NTS

CONSTRUCTION NOTES: #

1. INSTALL NEW OIL TANK, AND STAND CONCRETE PAD. SEE SHEET M2.0
2. INSTALL NEW PIPING SUPPORT AS PER SHEET M2.0.
3. CAULK ENTRY INTO BUILDING.
4. INSTALL NEW OIL TANK STAND #2 SEE STRUCTURAL FOR DETAILS.

INTERIOR REPAIR NOTES:

1. INSTALL NEW FUEL SYSTEM TO EXISTING FURNACE BURNER. INCLUDING FUEL LINES, VALVES, FUSIBLE LINK AND DE-AERATOR/FILTER.



PROJECT TITLE:
RCMP "V" DIVISION OIL TANK REPLACEMENT - POND INLET
V136 - GARAGE / FITNESS BUILDING , POND INLET
SHEET TITLE:
DEMOLITION AND CONSTRUCTION PLAN
PROJECT NUMBER:
16-028-14-30

00 ISSUED FOR TENDER 17 06 09 JLS
REV. # | REVISION | DATE (YY MM DD) | REV. BY

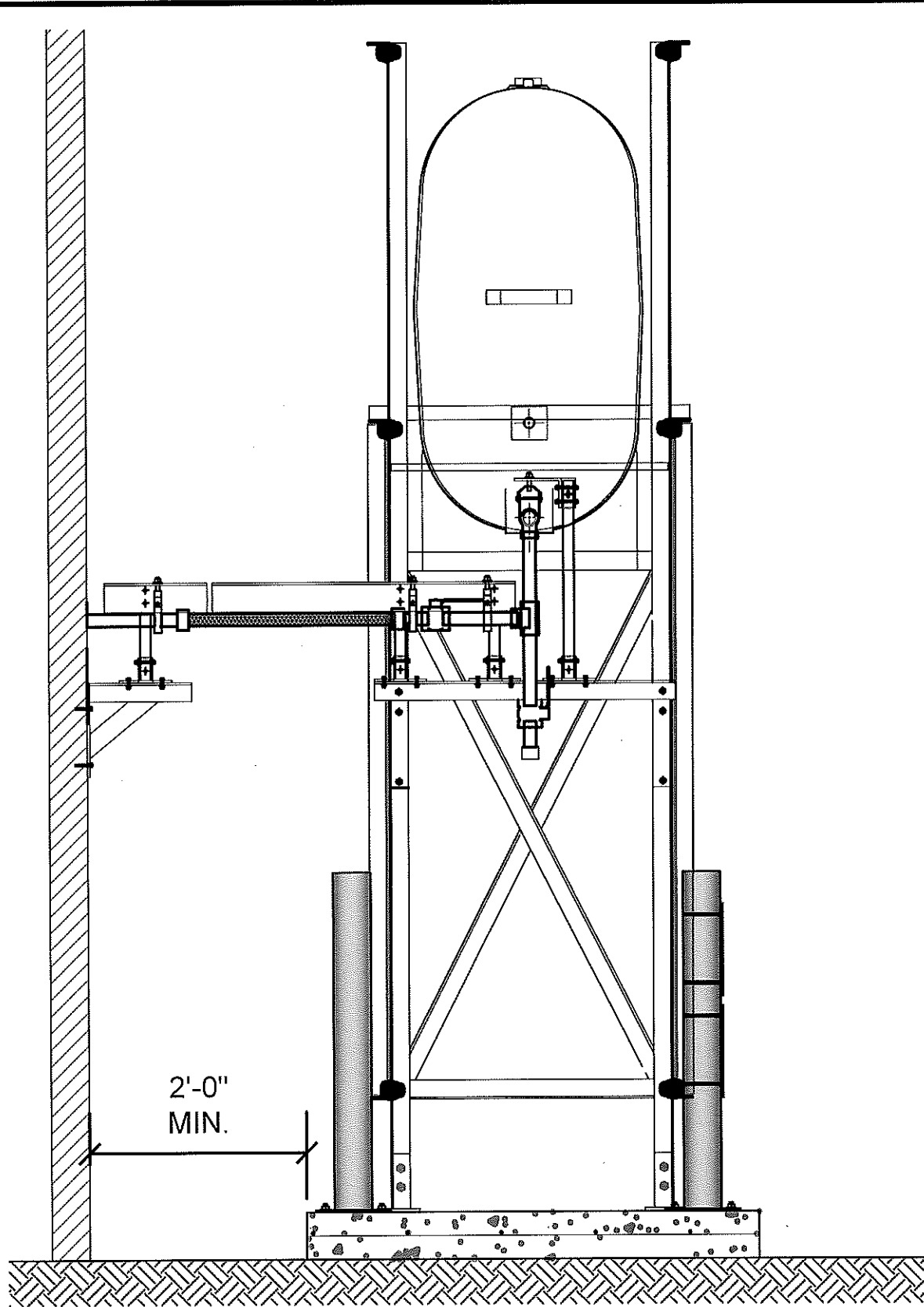
REV. # | REVISION | DATE (YY MM DD) | REV. BY

SCALE:
AS NOTED
DATE (YY MM DD):
17 06 09

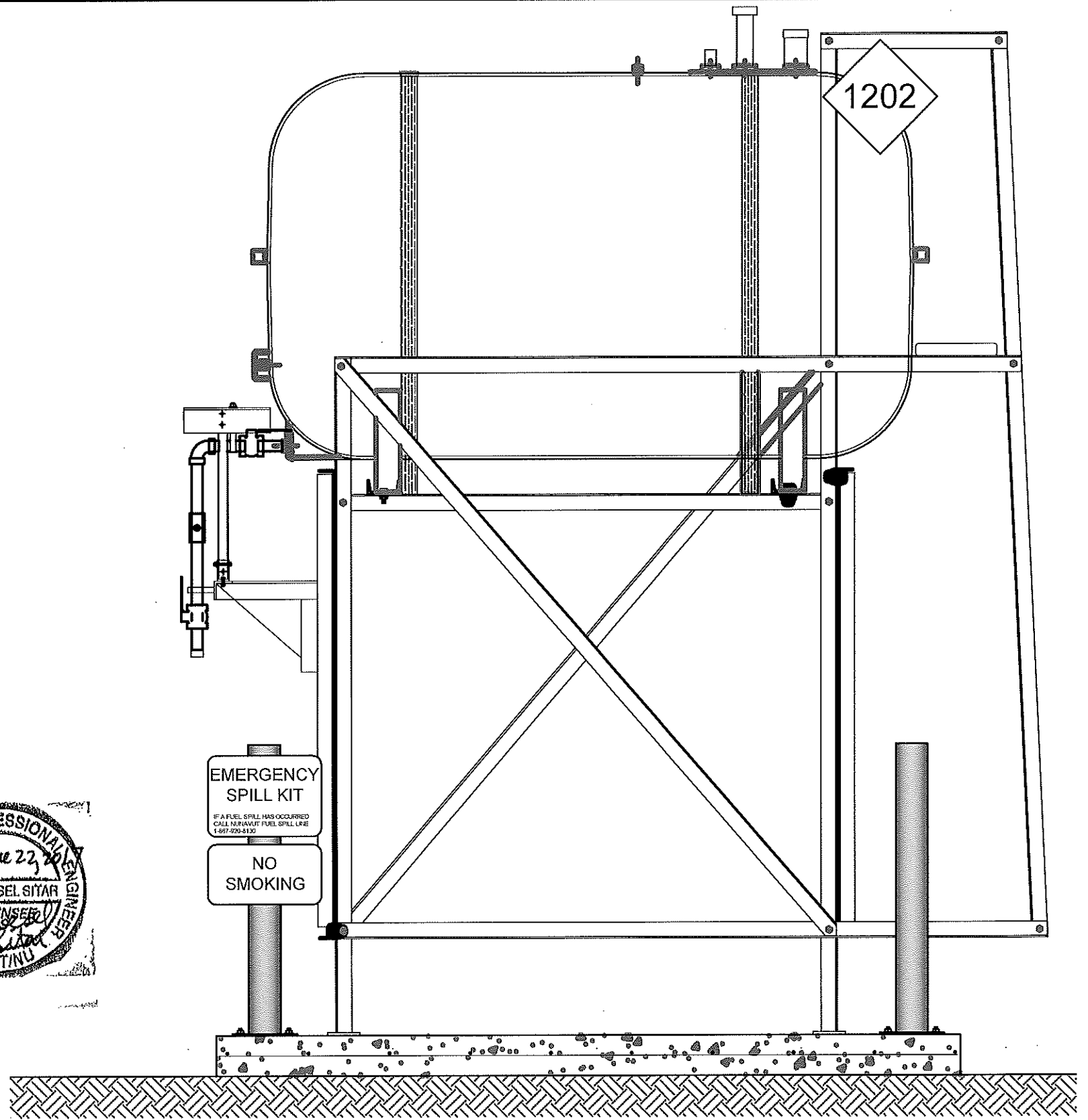
DRAWING NUMBER:

M1.0

REVISION NUMBER:
00

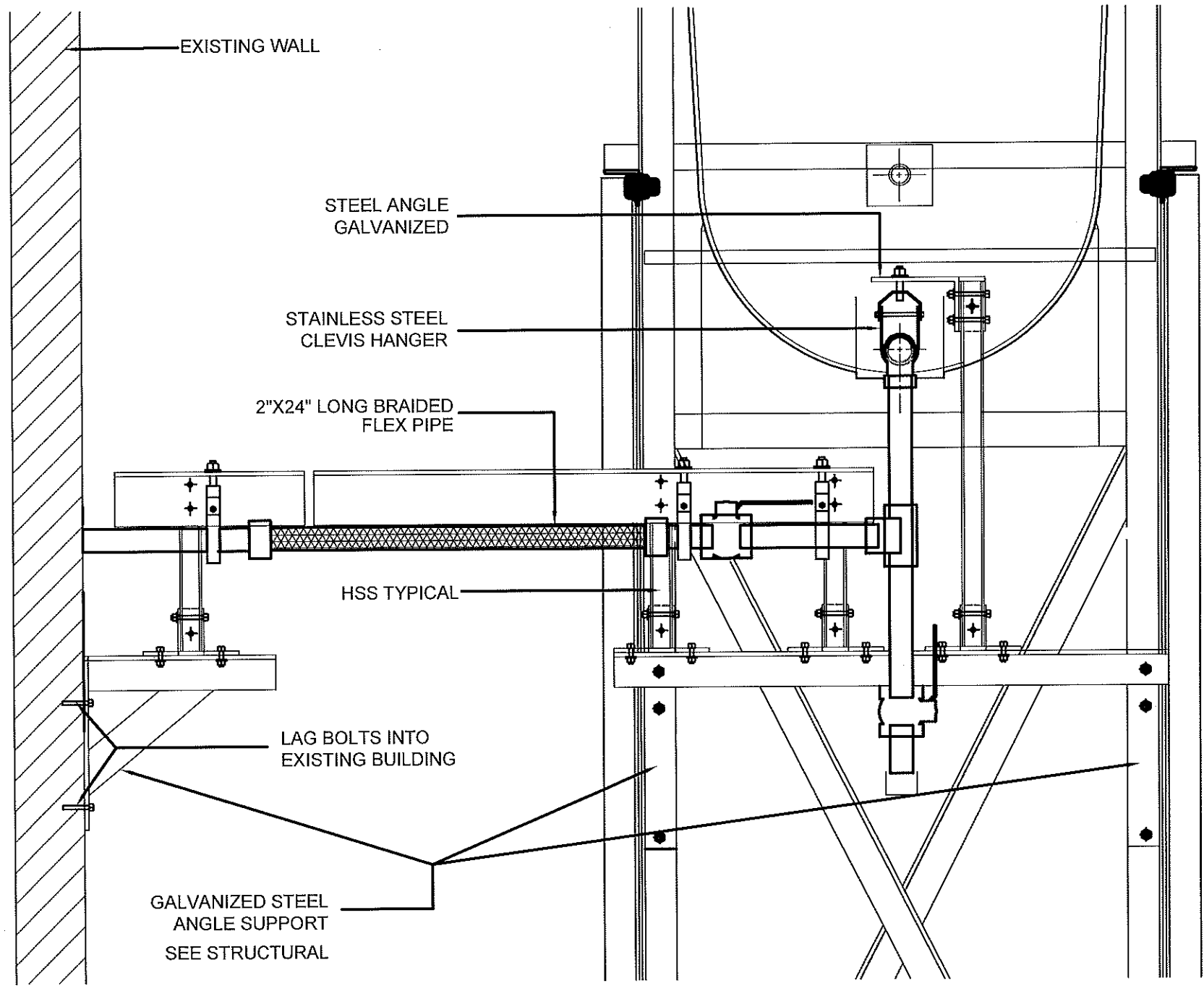


01 OIL TANK ELEVATION - A
M2.0 SCALE: 3/4"=1'-0"

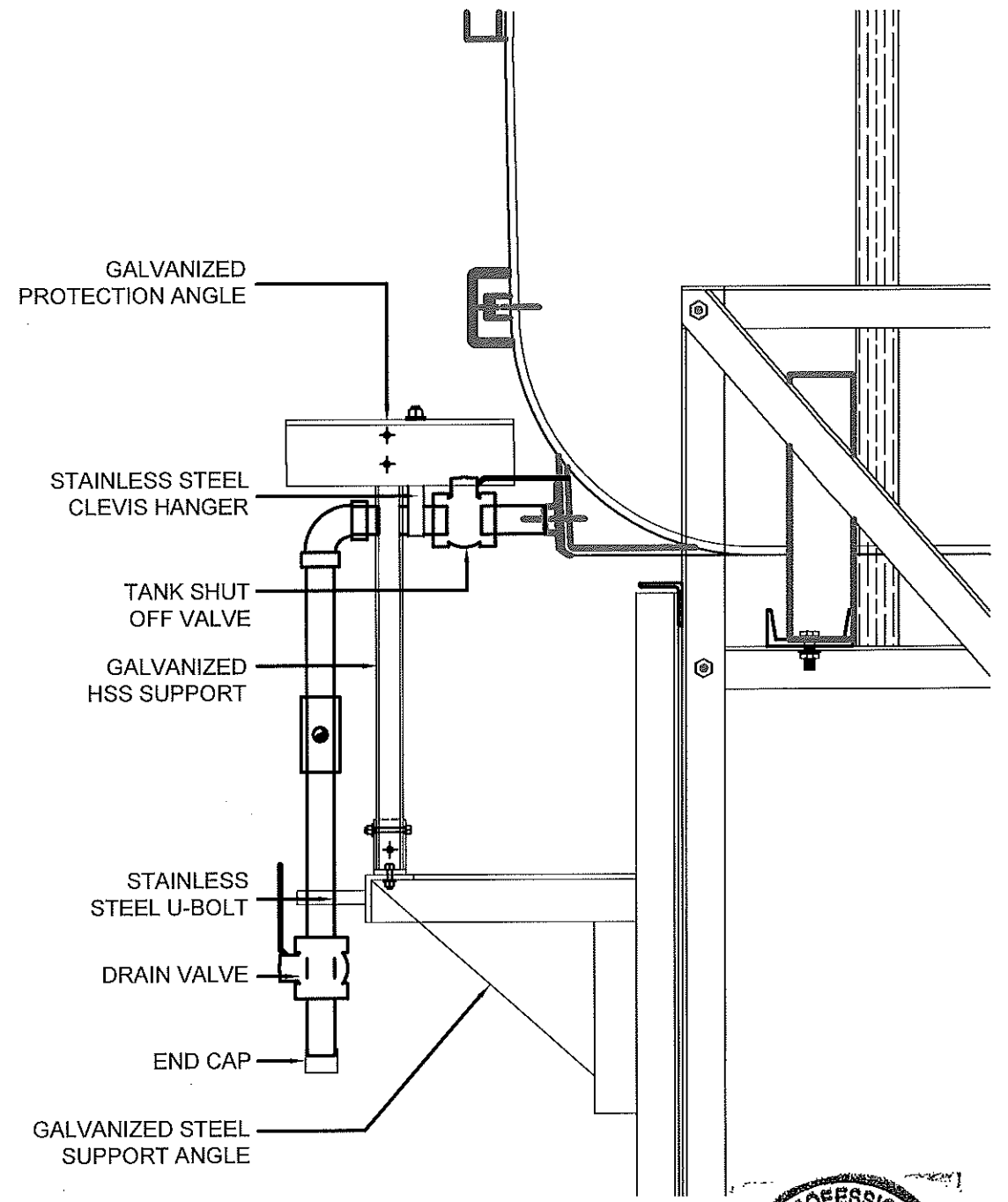


02 OIL TANK ELEVATION - B
M2.0 SCALE: 3/4"=1'-0"

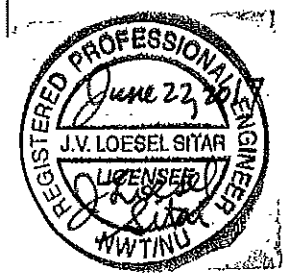




01 FRONT VIEW
M2.1 SCALE: 1 1/2"=1'-0"



02 SIDE VIEW
M2.1 SCALE: 1 1/2"=1'-0"



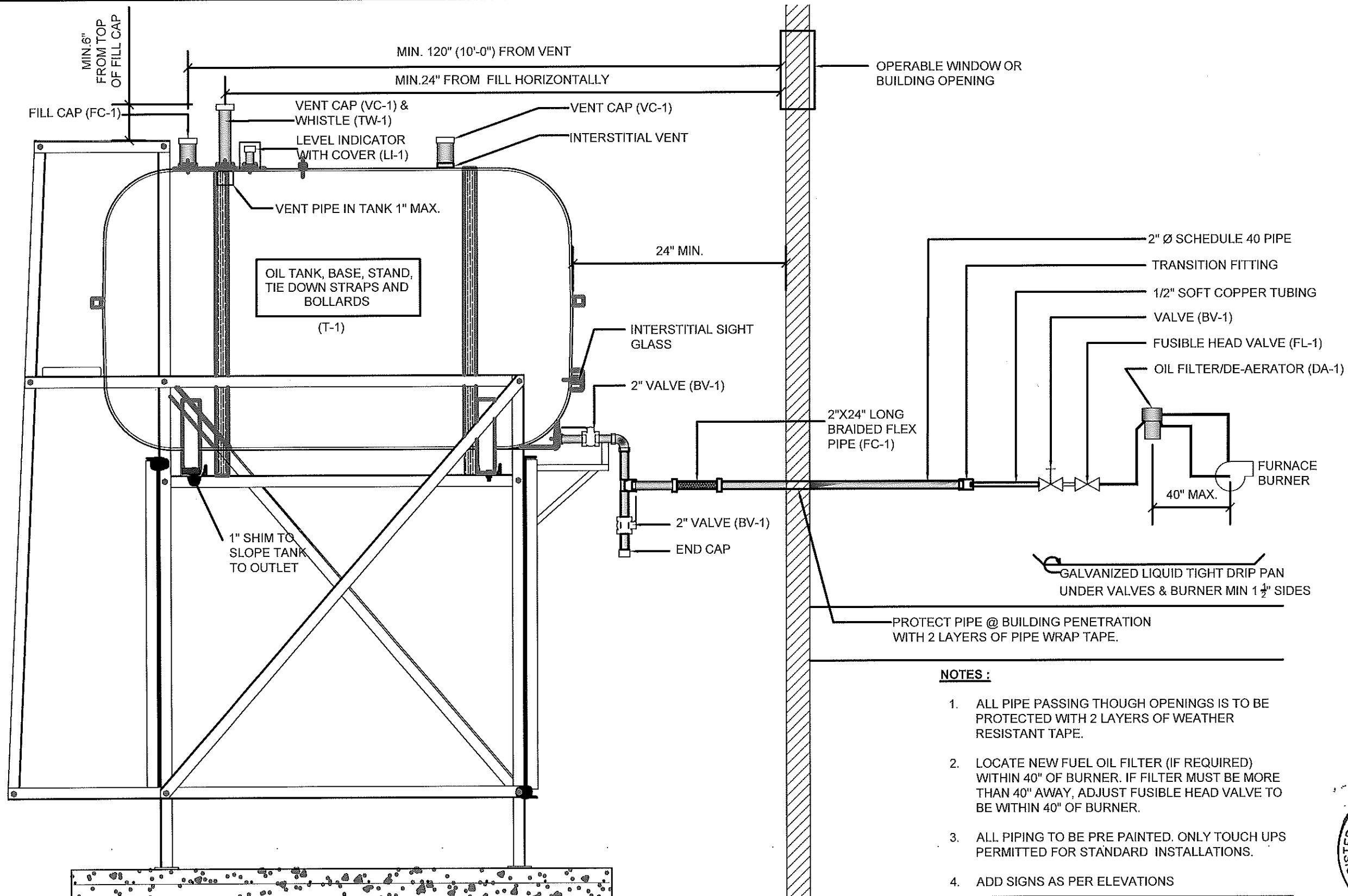
PROJECT TITLE:
RCMP "V" DIVISION OIL TANK REPLACEMENT - POND INLET
V136 - GARAGE / FITNESS BUILDING, POND INLET
SHEET TITLE:
2" FUEL LINE SUPPORT DETAIL
PROJECT NUMBER:
16-028-14-30

REV. #	REVISION	DATE (YY MM DD)	REV. BY
00	ISSUED FOR TENDER	17 08 09	JLS

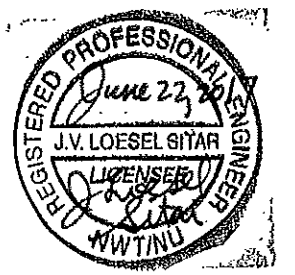
REV. #	REVISION	DATE (YY MM DD)	REV. BY

SCALE:
AS NOTED
DATE (YY MM DD):
17 06 09

DRAWING NUMBER:
M2.1
REVISION NUMBER:
00



- NOTES :**
1. ALL PIPE PASSING THOUGH OPENINGS IS TO BE PROTECTED WITH 2 LAYERS OF WEATHER RESISTANT TAPE.
 2. LOCATE NEW FUEL OIL FILTER (IF REQUIRED) WITHIN 40" OF BURNER. IF FILTER MUST BE MORE THAN 40" AWAY, ADJUST FUSIBLE HEAD VALVE TO BE WITHIN 40" OF BURNER.
 3. ALL PIPING TO BE PRE PAINTED. ONLY TOUCH UPS PERMITTED FOR STANDARD INSTALLATIONS.
 4. ADD SIGNS AS PER ELEVATIONS



01 SCHEMATIC - TANK, PIPING & ACCESSORIES : ON STAND
M3.0 SCALE: NTS



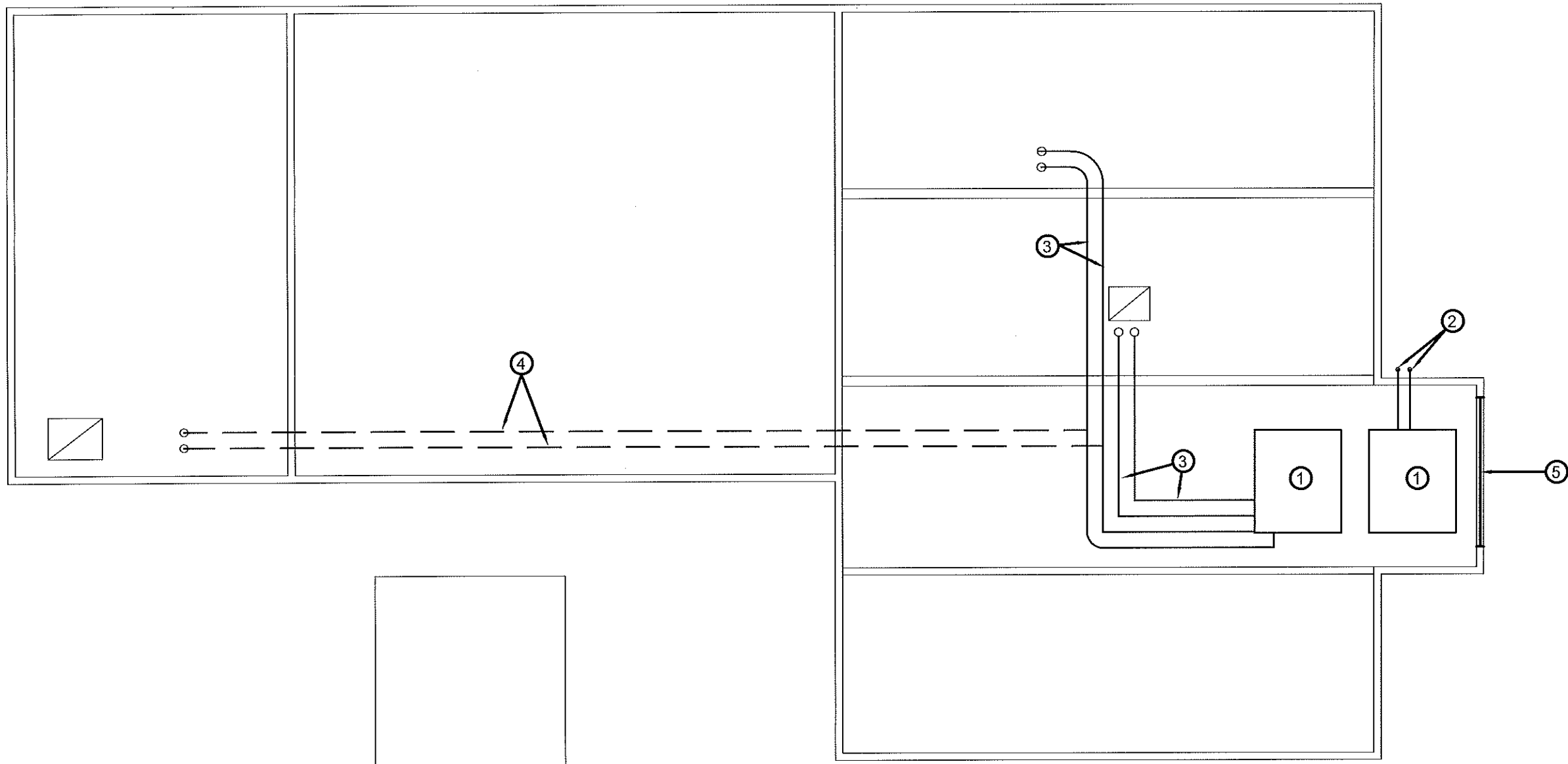
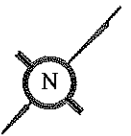
PROJECT TITLE:
RCMP "V" DIVISION OIL TANK REPLACEMENT - POND INLET
V136 - GARAGE / FITNESS BUILDING , POND INLET
SHEET TITLE:
SCHEMATIC - TANK, PIPING & ACCESSORIES
PROJECT NUMBER:
16-028-14-30

00 ISSUED FOR TENDER 17 06 09 JLS
REV. # REVISION DATE (YY MM DD) REV. BY

REV. # REVISION DATE (YY MM DD) REV. BY

SCALE:
AS NOTED
DATE (YY MM DD):
17 06 09

DRAWING NUMBER:
M3.0
REVISION NUMBER:
00



DRAWING NOTES: #

- 1. REMOVE EXISTING OIL TANK, AND CONTAINMENT IN CRAWL SPACE.
- 2. REMOVE ALL SUPPLY AND VENT PIPING AT EXTERIOR WALL
- 3. REMOVE EXISTING PIPING AND SUPPORTS
- 4. EXISTING PIPING TO REMAIN.
- 5. REMOVER FRONT WALL & RE-INSTALL AFTER REMOVAL.

DEMOLITION NOTES:

- 1. REMOVE ALL FUEL FROM THE EXISTING TANK AND DISPOSE OF AS PER LOCAL REGULATIONS
- 2. WORK TO BE DONE ON THE WEEKEND SO AS TO NOT IMPACT DETACHMENT OPERATIONS

01 DEMOLITION PLAN CRAWL SPACE

M1.0 SCALE: 1/8"=1'-0"



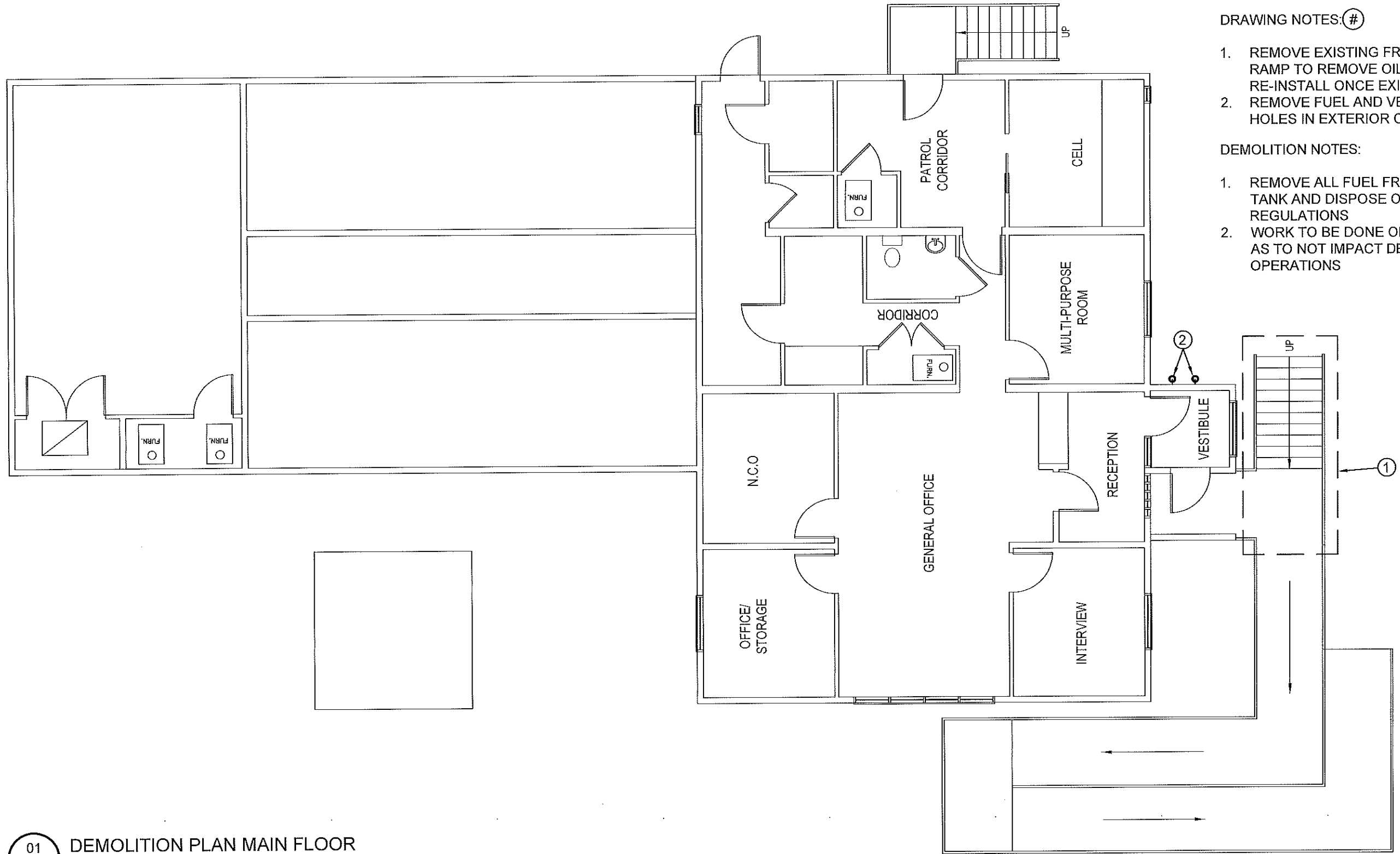
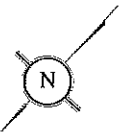
PROJECT TITLE:
RCMP "V" DIVISION OIL TANK REPLACEMENT - POND INLET
V138 - DETACHMENT
SHEET TITLE:
DEMOLITION PLAN - CRAWL SPACE
PROJECT NUMBER:
16-028-14-30

00	ISSUED FOR TENDER	17 06 09	JLS
REV. #	REVISION	DATE (YY MM DD)	REV. BY

REV. #	REVISION	DATE (YY MM DD)	REV. BY
--------	----------	-----------------	---------

SCALE:
AS NOTED
DATE (YY MM DD):
17 06 09

DRAWING NUMBER:
M1.0
REVISION NUMBER:
00



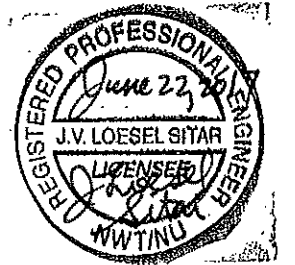
DRAWING NOTES: #

- 1. REMOVE EXISTING FRONT STAIRS AND RAMP TO REMOVE OIL TANK AND RE-INSTALL ONCE EXISTING TANKS
- 2. REMOVE FUEL AND VENT LINES AND PATCH HOLES IN EXTERIOR OF BUILDING

DEMOLITION NOTES:

- 1. REMOVE ALL FUEL FROM THE EXISTING TANK AND DISPOSE OF AS PER LOCAL REGULATIONS
- 2. WORK TO BE DONE ON THE WEEKEND SO AS TO NOT IMPACT DETACHMENT OPERATIONS

01 DEMOLITION PLAN MAIN FLOOR
 M1.1 SCALE: 1/8"=1'-0"



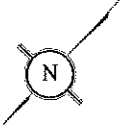
PROJECT TITLE:
RCMP "V" DIVISION OIL TANK REPLACEMENT - POND INLET
V138 - DETACHMENT
SHEET TITLE:
DEMOLITION PLAN - MAIN FLOOR
PROJECT NUMBER:
16-028-14-30

00	ISSUED FOR TENDER	17 06 09	JLS
REV. #	REVISION	DATE (YY MM DD)	REV. BY

REV. #	REVISION	DATE (YY MM DD)	REV. BY
--------	----------	-----------------	---------

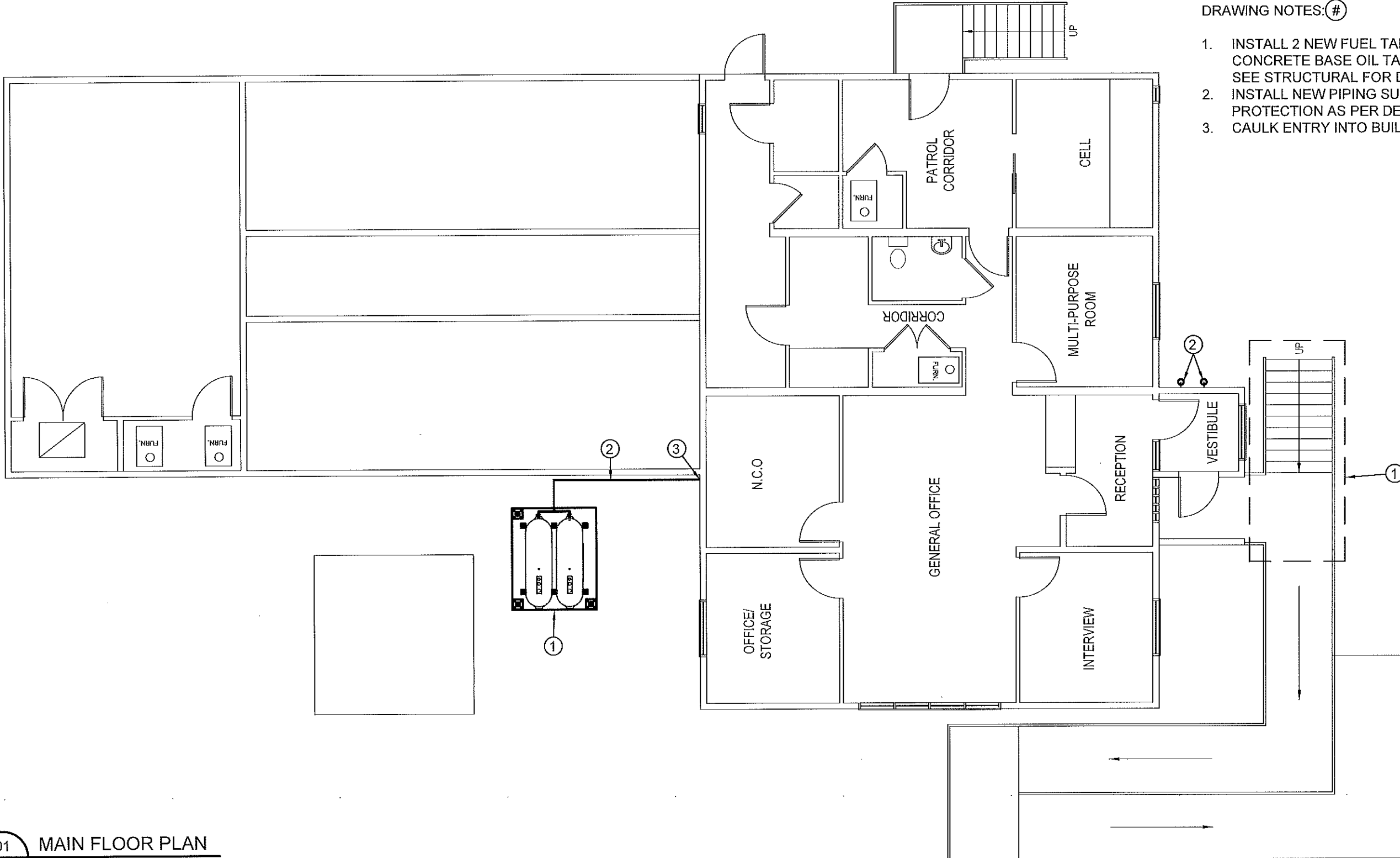
SCALE:
AS NOTED
DATE (YY MM DD):
17 06 09

DRAWING NUMBER:
M1.1
REVISION NUMBER:
00



DRAWING NOTES: #

- 1. INSTALL 2 NEW FUEL TANKS, STAND AND CONCRETE BASE OIL TANK STAND TYPE #5 SEE STRUCTURAL FOR DETAILS.
- 2. INSTALL NEW PIPING SUPPORTS AND PROTECTION AS PER DETAILS
- 3. CAULK ENTRY INTO BUILDING



01 MAIN FLOOR PLAN
 M2.0 SCALE: 1/8"=1'-0"



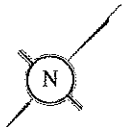
PROJECT TITLE:
 RCMP "V" DIVISION OIL TANK REPLACEMENT - POND INLET
 V138 - DETACHMENT
 SHEET TITLE:
 CONSTRUCTION PLAN - MAIN FLOOR
 PROJECT NUMBER:
 16-028-14-30

REV. #	REVISION	DATE (YY MM DD)	REV. BY
00	ISSUED FOR TENDER	17 06 09	JLS

REV. #	REVISION	DATE (YY MM DD)	REV. BY

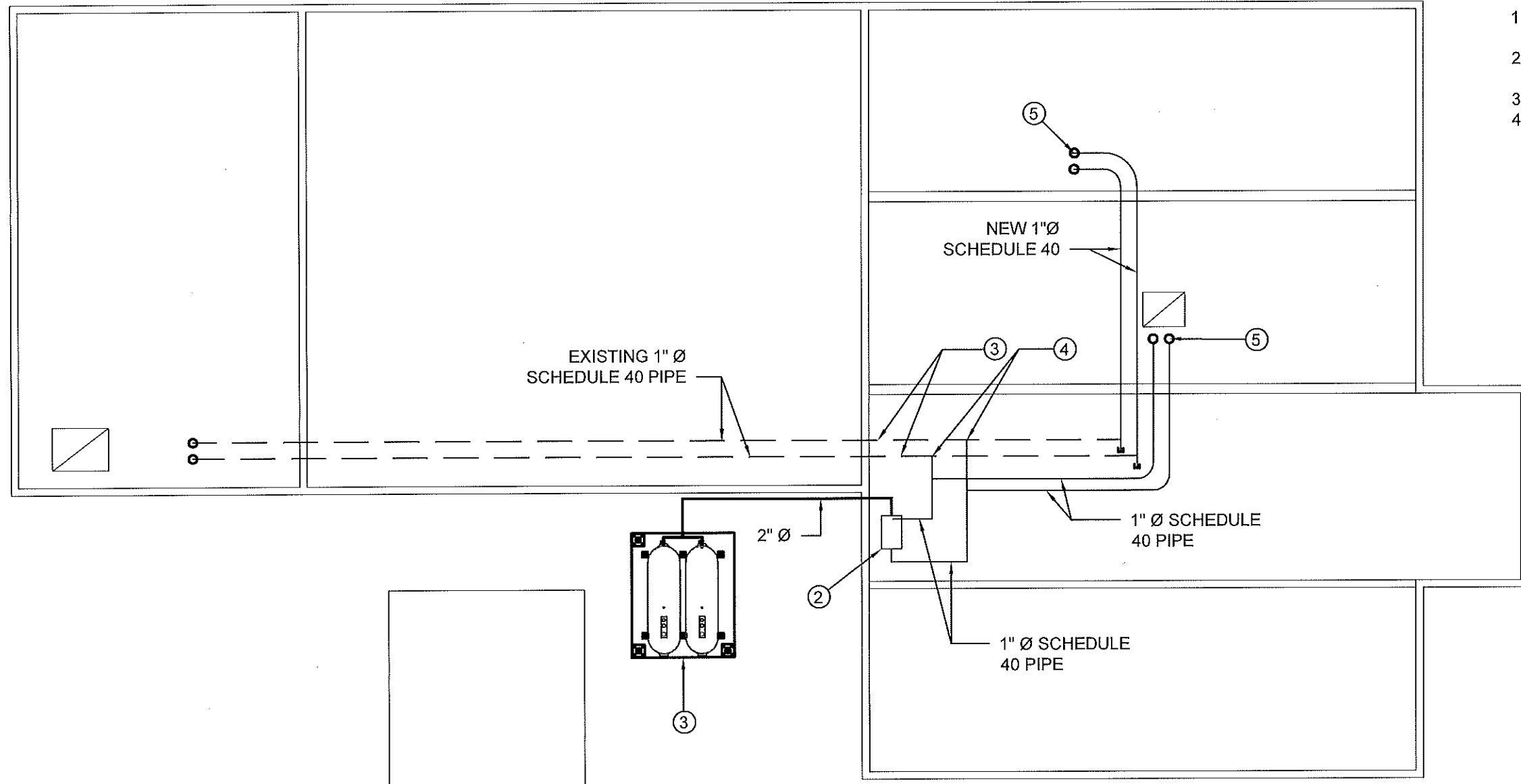
SCALE:
 AS NOTED
 DATE (YY MM DD):
 17 06 09

DRAWING NUMBER:
M2.0
 REVISION NUMBER:
 00

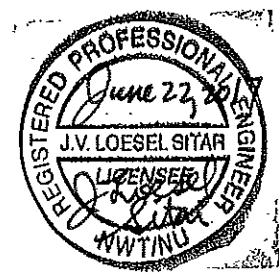


DRAWING NOTES: #

- 1. NEW OIL TANKS, STAND AND CONCRETE PAD
- 2. NEW WARMING PIPE SEE SCHEMATIC FOR DETAILS
- 3. EXISTING 1" SCHEDULE 40 FUEL LINE.
- 4. CONNECT NEW SUPPLY AND RETURN LINES FROM EXISTING FURNACES TO NEW 1" SUPPLY LINE



01 CRAWL SPACE PLAN
 M2.0 SCALE: 1/8"=1'-0"



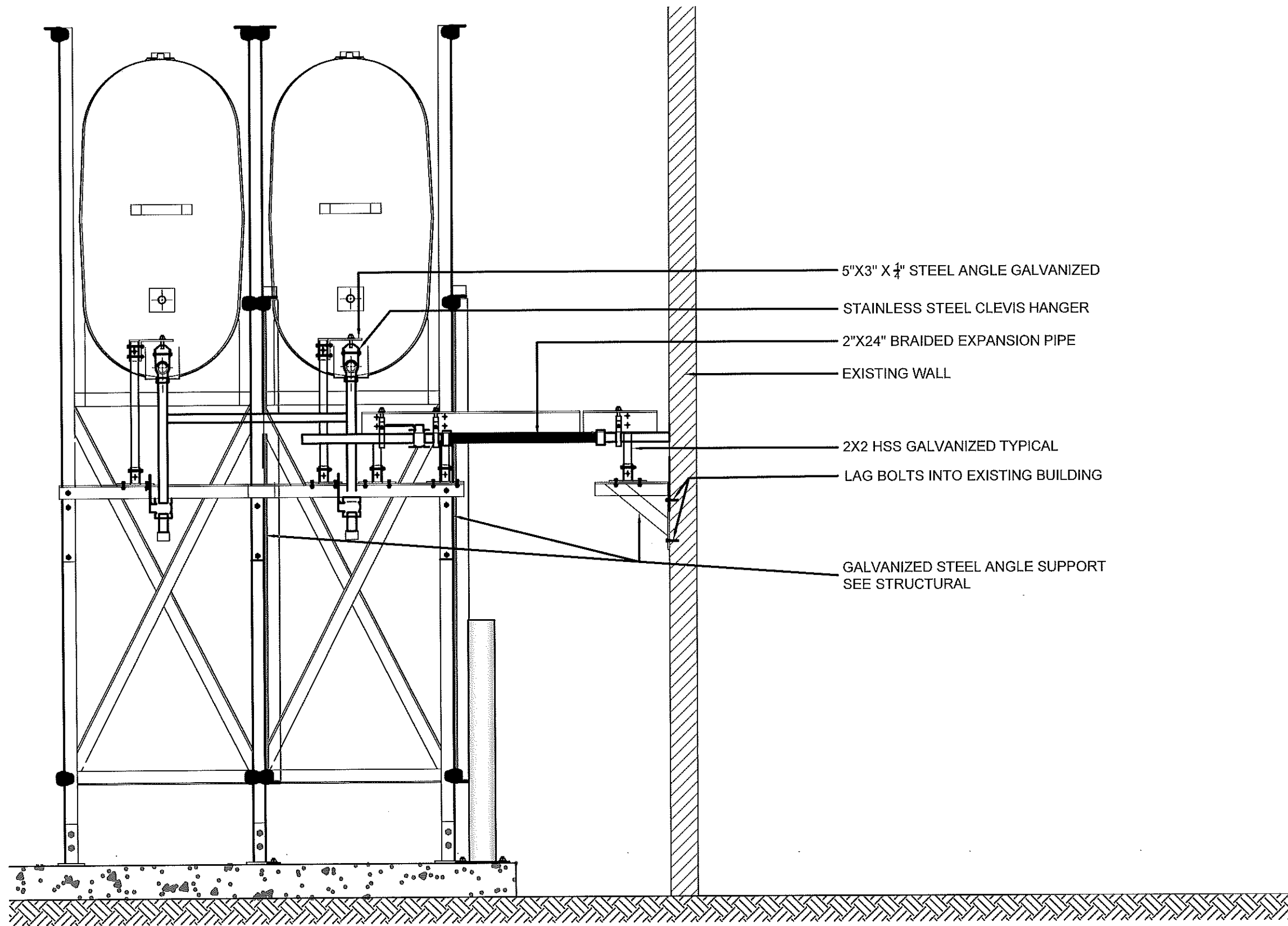
PROJECT TITLE:
 RCMP "V" DIVISION OIL TANK REPLACEMENT - POND INLET
 V138 - DETACHMENT
 SHEET TITLE:
 CONSTRUCTION PLAN - CRAWL SPACE
 PROJECT NUMBER:
 16-028-14-30

REV. #	REVISION	DATE (YY MM DD)	REV. BY
00	ISSUED FOR TENDER	17 06 09	JLS

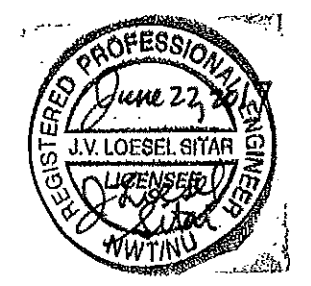
REV. #	REVISION	DATE (YY MM DD)	REV. BY

SCALE:
 AS NOTED
 DATE (YY MM DD):
 17 06 09

DRAWING NUMBER:
M2.1
 REVISION NUMBER:
 00



- 5"X3" X 1/4" STEEL ANGLE GALVANIZED
- STAINLESS STEEL CLEVIS HANGER
- 2"X24" BRAIDED EXPANSION PIPE
- EXISTING WALL
- 2X2 HSS GALVANIZED TYPICAL
- LAG BOLTS INTO EXISTING BUILDING
- GALVANIZED STEEL ANGLE SUPPORT SEE STRUCTURAL



01 OIL TANK ELEVATION - A
M2.0 SCALE: 3/4"-1'-0"



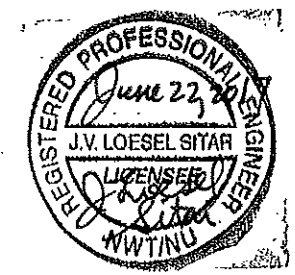
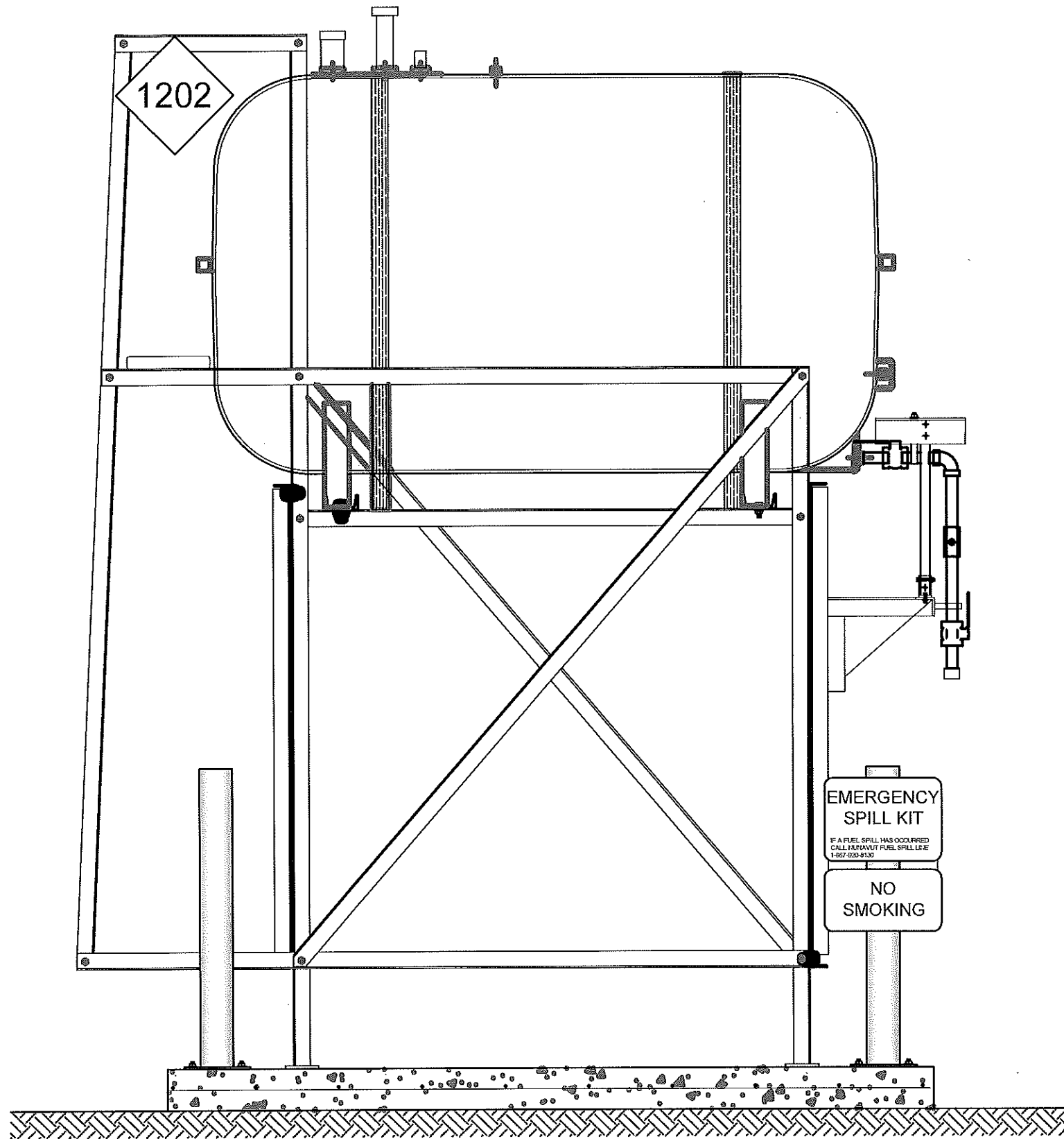
PROJECT TITLE:
RCMP "V" DIVISION OIL TANK REPLACEMENT - POND INLET
V138 - DETACHMENT
SHEET TITLE:
2" FUEL LINE SUPPORT DETAIL - DOUBLE TANK. EL. A
PROJECT NUMBER:
16-028-14-30

02	ISSUED FOR TENDER	17 06 09	JLS
00			
REV. #	REVISION	DATE (YY MM DD)	REV. BY

REV. #	REVISION	DATE (YY MM DD)	REV. BY
--------	----------	-----------------	---------

SCALE:
AS NOTED
DATE (YY MM DD):
17 06 09

DRAWING NUMBER:
M2.2
REVISION NUMBER:
00



02 OIL TANK ELEVATION - B
M2.3 SCALE: 3/4"-1'-0"



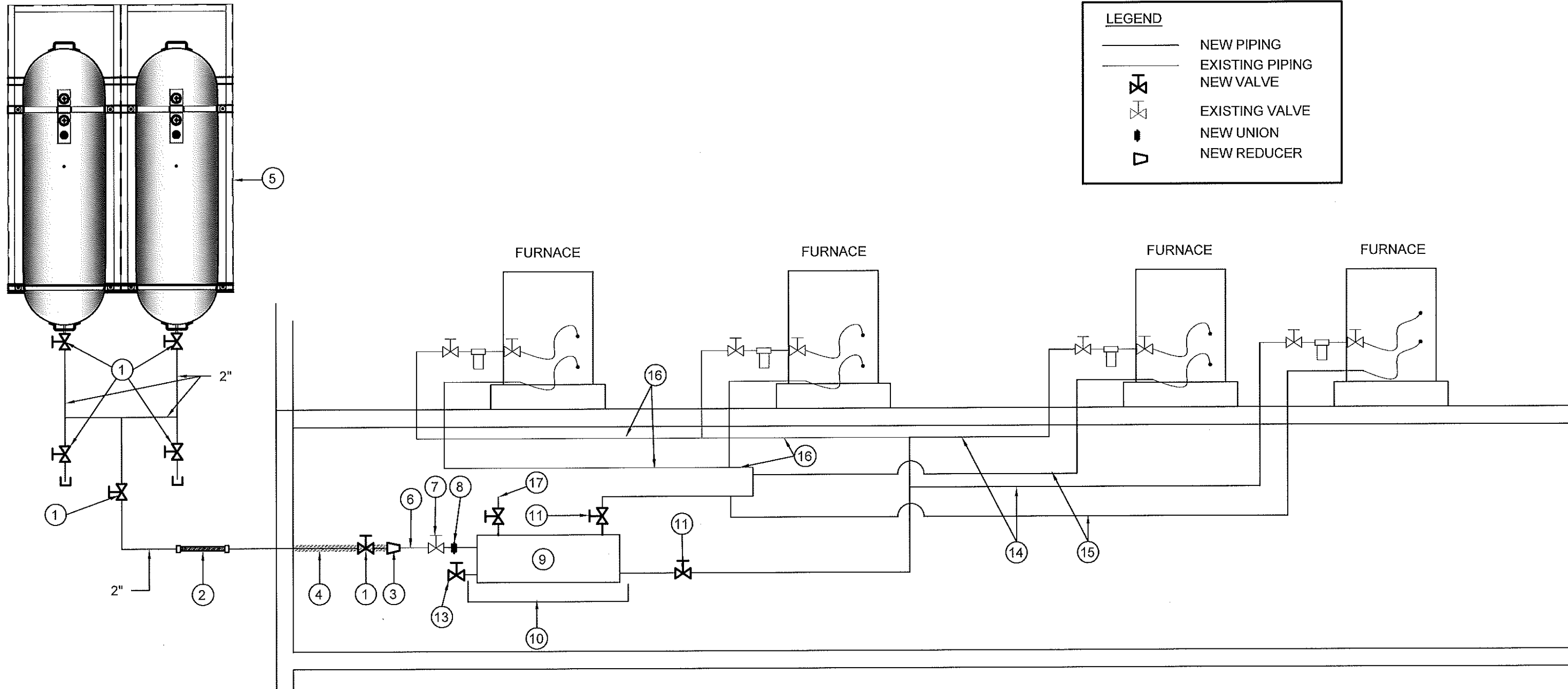
PROJECT TITLE:
RCMP "V" DIVISION OIL TANK REPLACEMENT - POND INLET
V138 - DETACHMENT
SHEET TITLE:
2" FUEL LINE SUPPORT DETAIL. EL. B
PROJECT NUMBER:
16-028-14-30

00	ISSUED FOR TENDER	17 06 09	JLS
REV. #	REVISION	DATE (YY MM DD)	REV. BY

REV. #	REVISION	DATE (YY MM DD)	REV. BY
--------	----------	-----------------	---------

SCALE:
AS NOTED
DATE (YY MM DD):
17 06 09

DRAWING NUMBER:
M2.3
REVISION NUMBER:
00



LEGEND

- NEW PIPING
- - - EXISTING PIPING
- ⊞ NEW VALVE
- ⊞ EXISTING VALVE
- NEW UNION
- ▽ NEW REDUCER

DRAWING NOTES: (#)

- 1. NEW VALVE 2" (BV-1)
- 2. 2"X24" LONG BRAIDED FLEX PIPE (FC-1)
- 3. NEW REDUCER 2" TO 1"
- 4. INSULATE 2" PIPE FROM EXTERIOR WALL TO 1" PIPE.
- 5. 2 - FIBERGLASS OIL TANKS, STANDS AND CONCRETE BASE. SEE DETAILS SHEET M2.1 AND M2.2
- 6. SCHEDULE 40 FUEL LINE 1" Ø
- 7. NEW VALVE

- 8. NOT USED
- 9. NEW WARMING PIPE WP-1 CW SUPPORTS
- 10. NEW SPILL TRAY
- 11. NEW VALVE (BV-1)
- 12. EXISTING FUEL LINE
- 13. DRAIN VALVE AND END CAP
- 14. 1"Ø SUPPLY LINE
- 15. 1"Ø RETURN LINE
- 16. EXISTING 1" FUEL LINE TO CELL FURNACES
- 17. BLEED VALVE



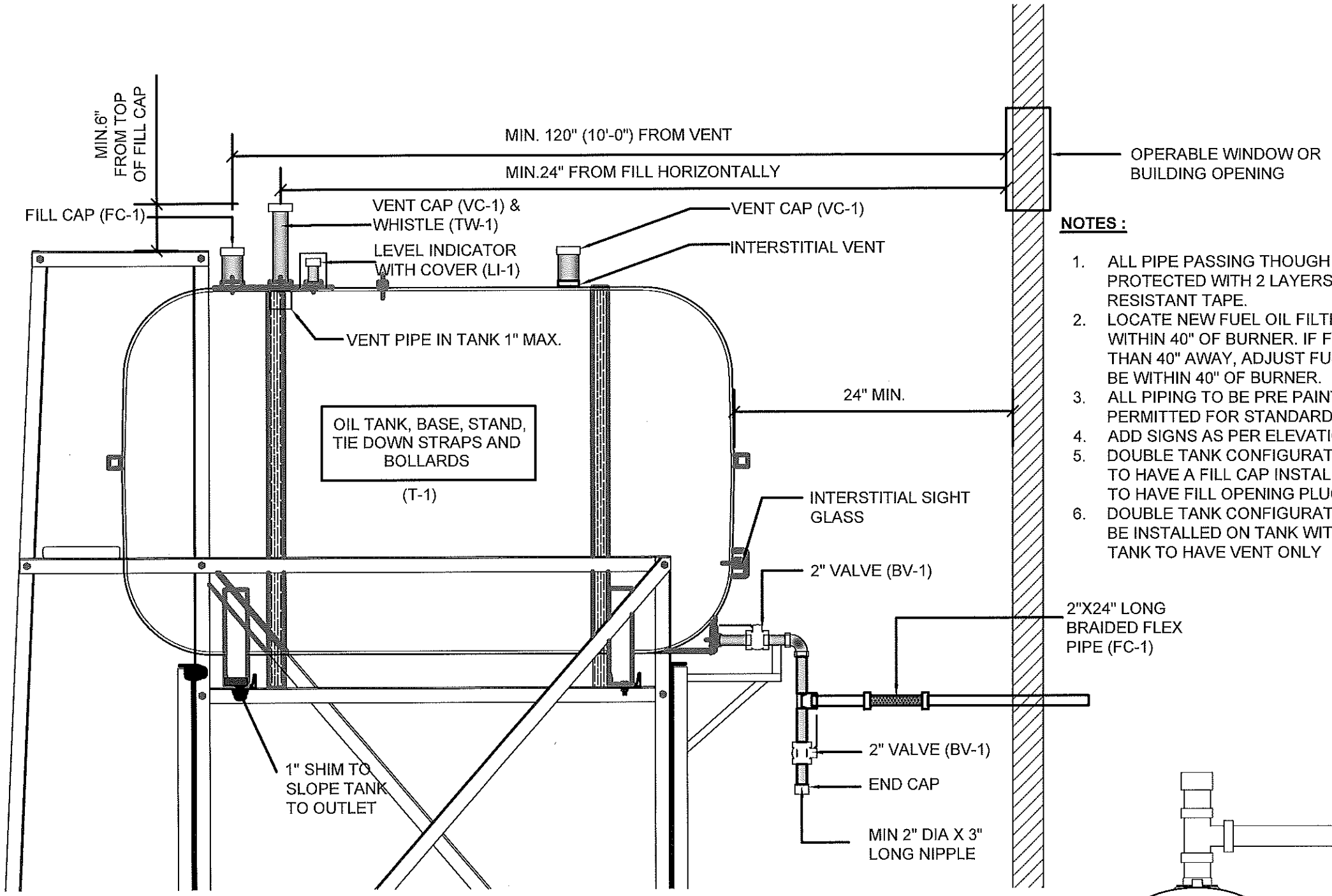
PROJECT TITLE:
RCMP "V" DIVISION OIL TANK REPLACEMENT - POND INLET
V138 - DETACHMENT
SHEET TITLE:
SCHEMATIC
PROJECT NUMBER:
16-028-14-30

00	ISSUED FOR TENDER	17 06 09	JLS
REV. #	REVISION	DATE (YY MM DD)	REV. BY

REV. #	REVISION	DATE (YY MM DD)	REV. BY
--------	----------	-----------------	---------

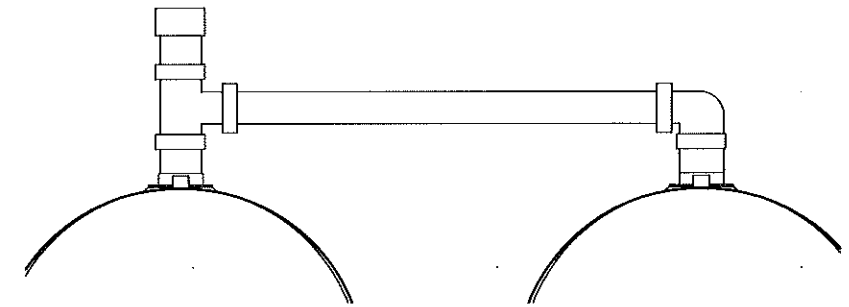
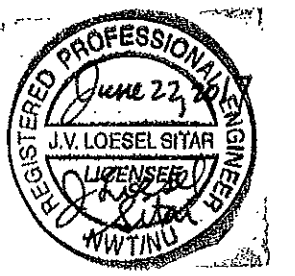
SCALE:
AS NOTED
DATE (YY MM DD):
17 06 09

DRAWING NUMBER:
M3.0
REVISION NUMBER:
00



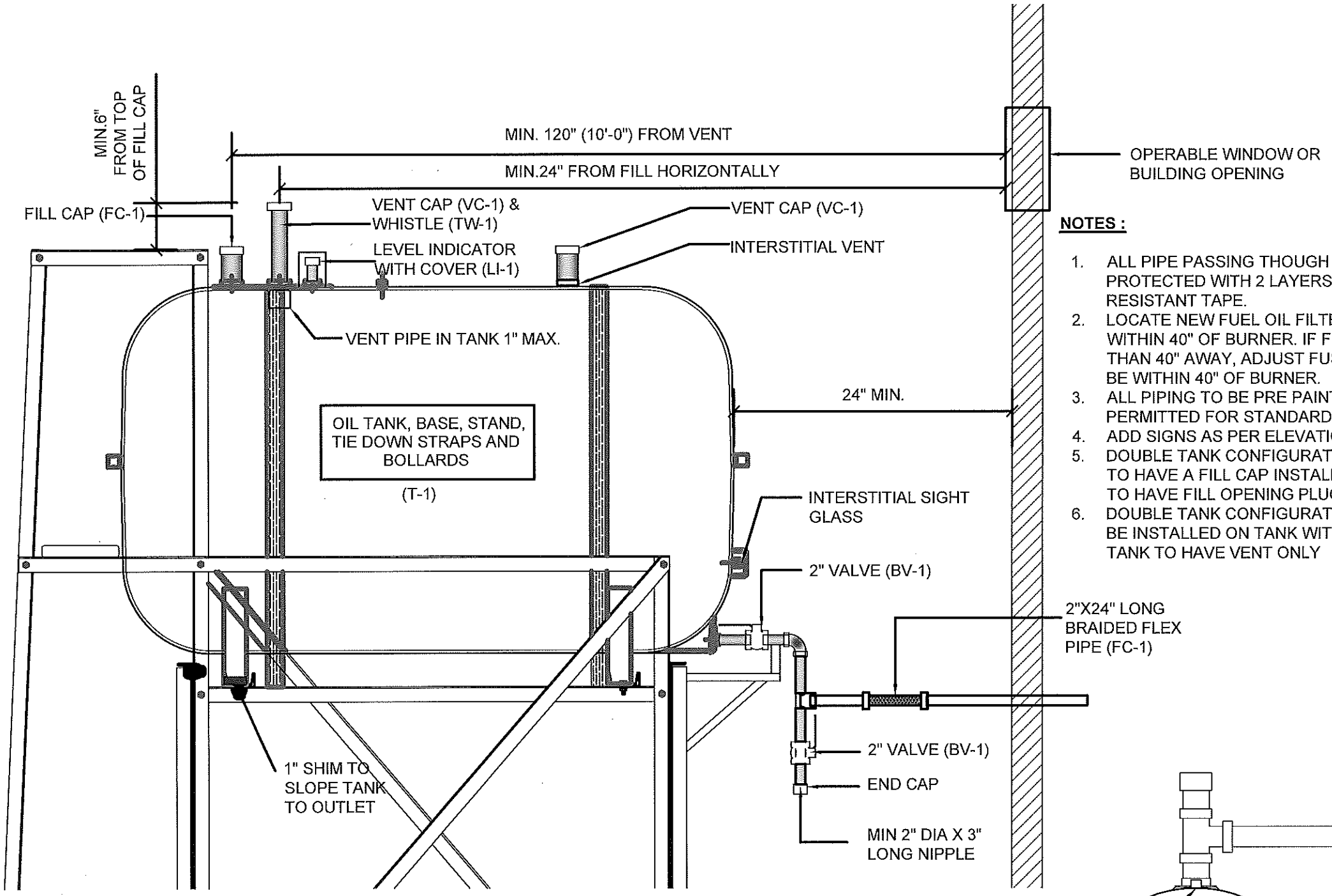
NOTES :

1. ALL PIPE PASSING THOUGH OPENINGS IS TO BE PROTECTED WITH 2 LAYERS OF WEATHER RESISTANT TAPE.
2. LOCATE NEW FUEL OIL FILTER (IF REQUIRED) WITHIN 40" OF BURNER. IF FILTER MUST BE MORE THAN 40" AWAY, ADJUST FUSIBLE HEAD VALVE TO BE WITHIN 40" OF BURNER.
3. ALL PIPING TO BE PRE PAINTED. ONLY TOUCH UPS PERMITTED FOR STANDARD INSTALLATIONS.
4. ADD SIGNS AS PER ELEVATIONS
5. DOUBLE TANK CONFIGURATION: ONLY ONE TANK IS TO HAVE A FILL CAP INSTALLED. ADJACENT TANK IS TO HAVE FILL OPENING PLUGGED.
6. DOUBLE TANK CONFIGURATION: VENT WHISTLE TO BE INSTALLED ON TANK WITH FILL CAP. ADJACENT TANK TO HAVE VENT ONLY



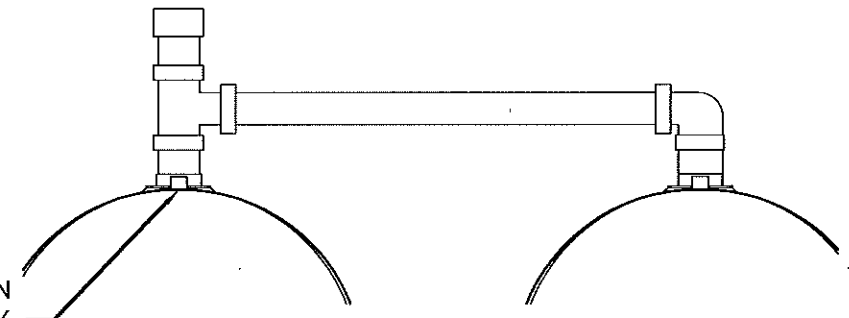
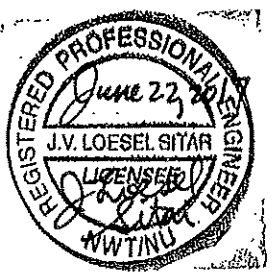
01 TYPICAL TANK SCHEMATIC
M3.1 SCALE: NTS

02 DOUBLE TANK VENT DETAIL
M3.1 SCALE: 1"=1'-0"



NOTES :

1. ALL PIPE PASSING THOUGH OPENINGS IS TO BE PROTECTED WITH 2 LAYERS OF WEATHER RESISTANT TAPE.
2. LOCATE NEW FUEL OIL FILTER (IF REQUIRED) WITHIN 40" OF BURNER. IF FILTER MUST BE MORE THAN 40" AWAY, ADJUST FUSIBLE HEAD VALVE TO BE WITHIN 40" OF BURNER.
3. ALL PIPING TO BE PRE PAINTED. ONLY TOUCH UPS PERMITTED FOR STANDARD INSTALLATIONS.
4. ADD SIGNS AS PER ELEVATIONS
5. DOUBLE TANK CONFIGURATION: ONLY ONE TANK IS TO HAVE A FILL CAP INSTALLED. ADJACENT TANK IS TO HAVE FILL OPENING PLUGGED.
6. DOUBLE TANK CONFIGURATION: VENT WHISTLE TO BE INSTALLED ON TANK WITH FILL CAP. ADJACENT TANK TO HAVE VENT ONLY



01 TYPICAL TANK SCHEMATIC
M3.1 SCALE: NTS

02 DOUBLE TANK VENT DETAIL
M3.1 SCALE: 1"=1'-0"



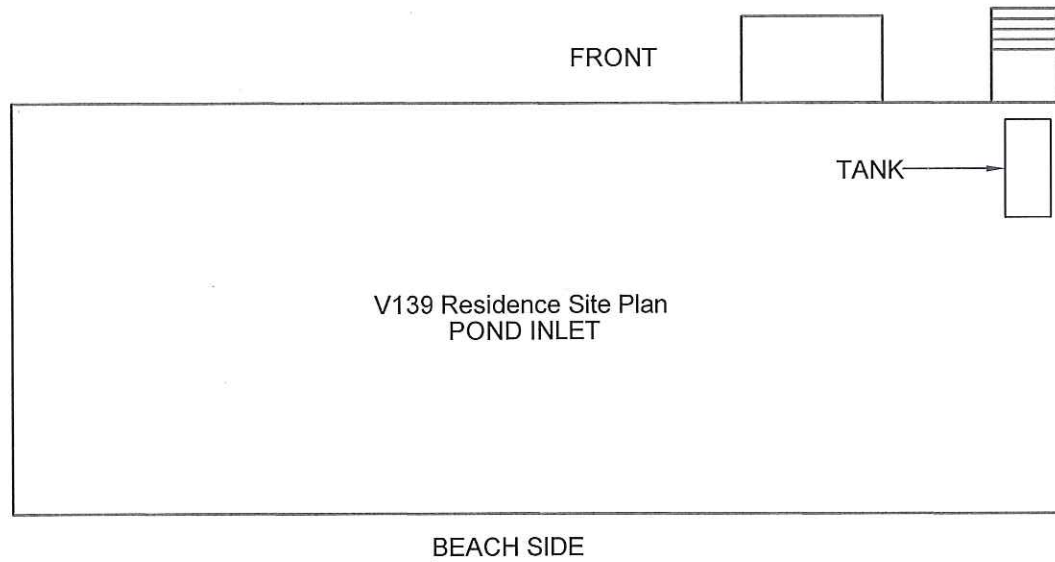
PROJECT TITLE:
RCMP "V" DIVISION OIL TANK REPLACEMENT - POND INLET
V138 - DETACHMENT
SHEET TITLE:
SCHEMATIC - TANK DETAILS
PROJECT NUMBER:
16-028-14-30

00	ISSUED FOR TENDER	17 06 09	JLS
REV. #	REVISION	DATE (YY MM DD)	REV. BY

REV. #	REVISION	DATE (YY MM DD)	REV. BY
--------	----------	-----------------	---------

SCALE:
AS NOTED
DATE (YY MM DD):
17 06 09

DRAWING NUMBER:
M3.1
REVISION NUMBER:
00



01 CONSTRUCTION PLAN
M1.0 SCALE: NTS

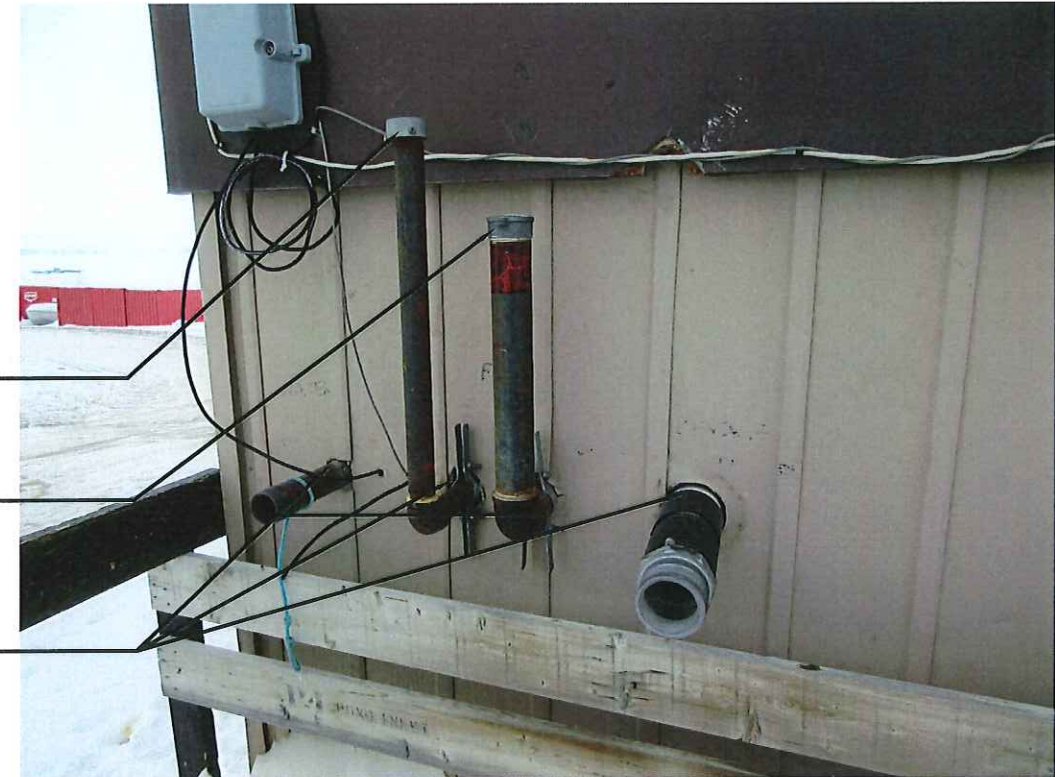
INTERIOR REPAIR NOTES:

1. MODIFY INTERIOR PIPING AND INSTALL NEW VENT WHISTLE ON EXISTING VENT LINE.
2. INSTALL NEW VENT CAP
3. MODIFY INTERIOR EMERGENCY VENT AND INSTALL NEW CAP
4. MODIFY EXISTING FILL CAP AND INSTALL NEW SPILL CONTAINMENT FILL CAP
5. PAINT ALL EXTERIOR AND INTERIOR PIPING

REMOVE EXISTING VENT CAP AND EXTEND PIPE SO THAT TOP OF PIPE IS MIN 6" FROM TOP OF NEW VENT CAP.

INSTALL NEW FILL CAP AND SPILL CONTAINMENT CAP. ADJUST PIPING AS REQUIRED

CAULK AND SEAL ALL OPENINGS



02 EXTERIOR ELEVATION
M1.0 SCALE: NTS

ADD NEW VENT CAP

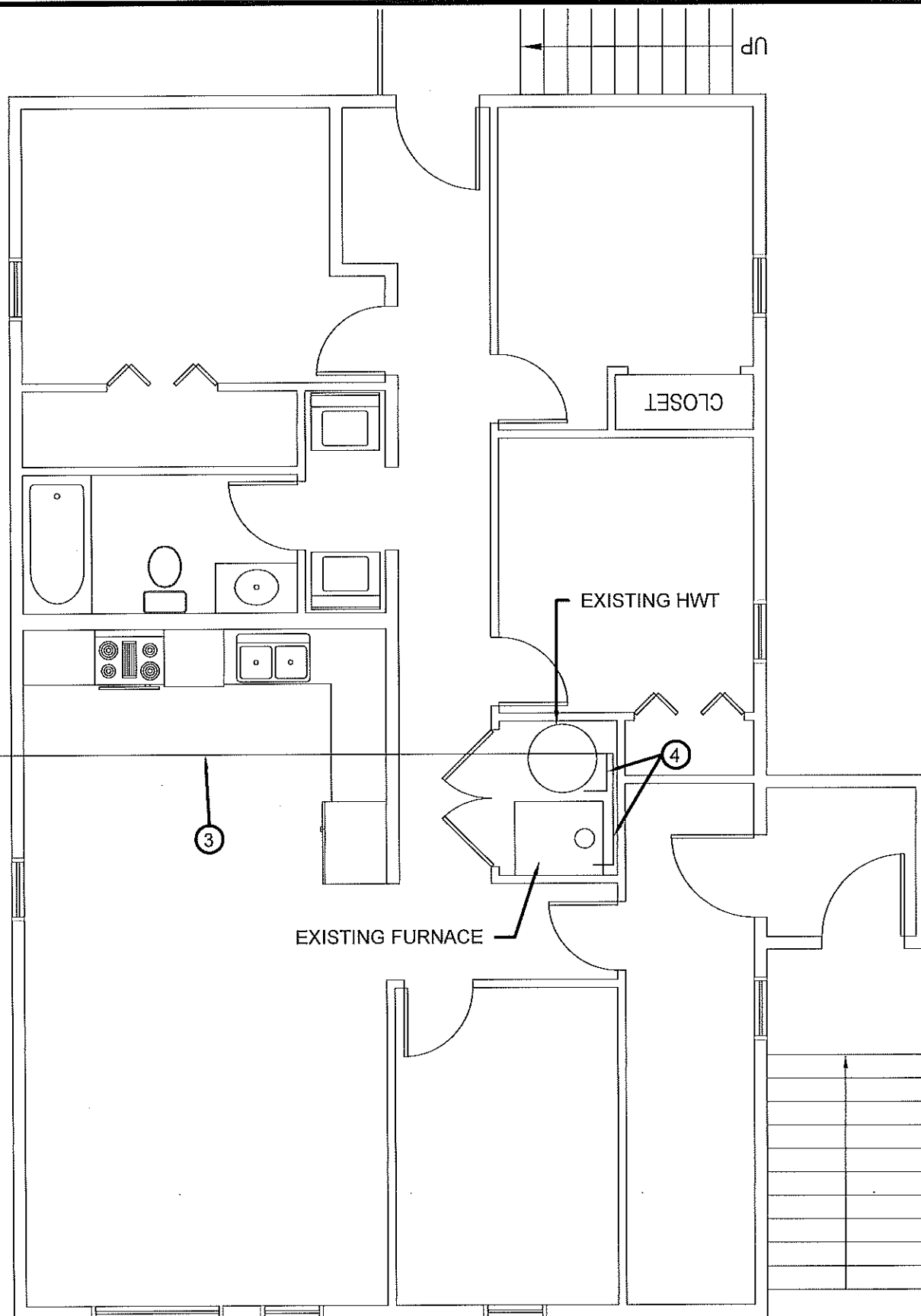
CAULK SEAL ALL OPENINGS

INSTALL NEW VENT WHISTLE



03 INTERIOR ELEVATION
M1.0 SCALE: NTS





DEMOLITION NOTES: #

1. REMOVE ALL FUEL FROM THE TANK AND DISPOSE OF AS PER LOCAL REGULATIONS.
2. REMOVE EXISTING TANK AND PAD DISPOSE OF AS PER LOCAL REGULATIONS.
3. REMOVE ALL PIPING TO FURNACE AND HOT WATER TANK. DISPOSE OF AS PER LOCAL REGULATIONS.
4. REMOVE EXISTING TIGER LOOP AND FUEL FILTERS ON EXISTING FURNACE AND HWT. DISPOSE OF AS PER REGULATIONS.

01 DEMOLITION PLAN
M1.0 SCALE: 3/16"=1'-0"



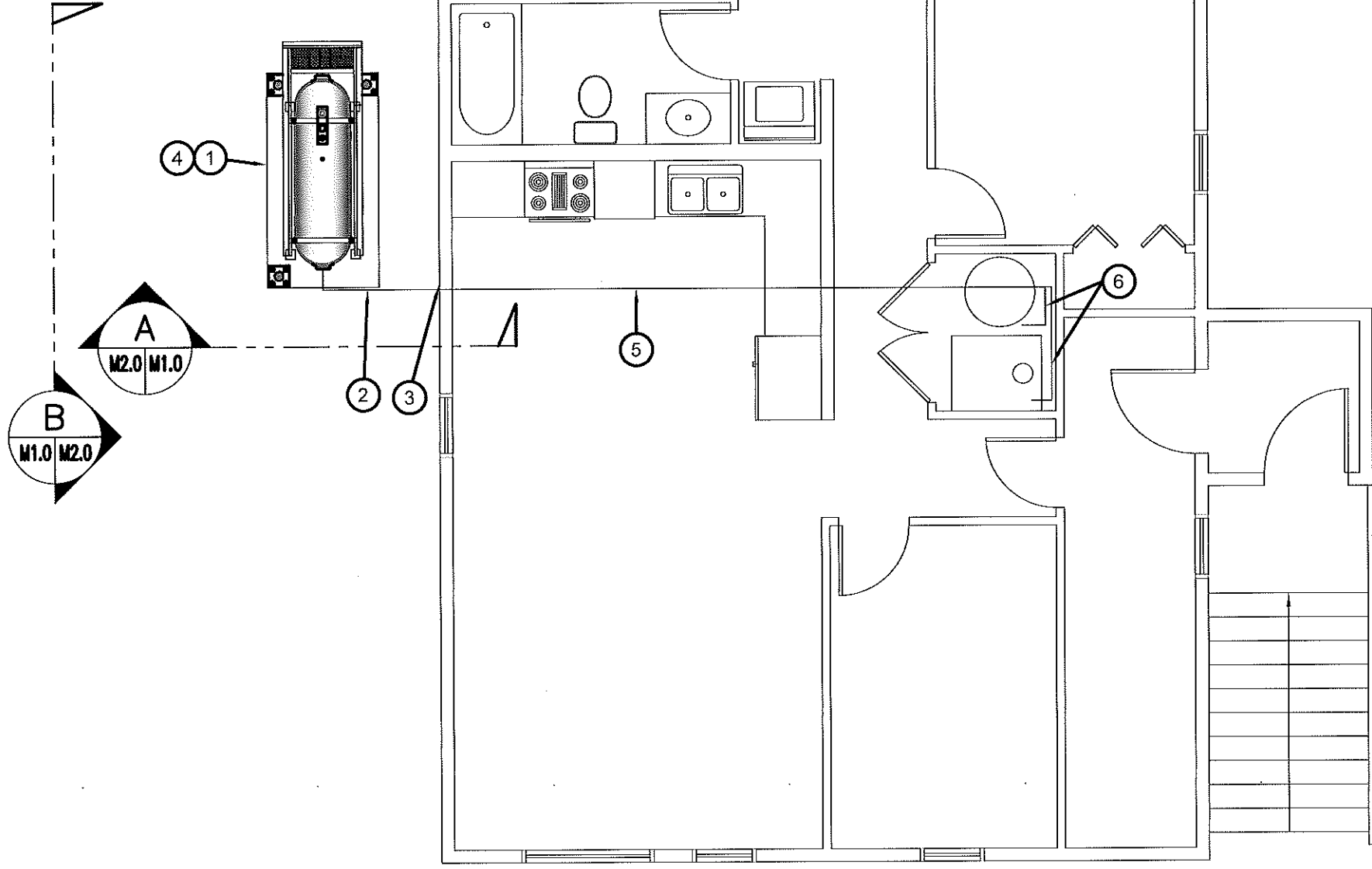
PROJECT TITLE:
RCMP "V" DIVISION OIL TANK REPLACEMENT - POND INLET
V140 - RESIDENCE, POND INLET
SHEET TITLE:
DEMOLITION PLAN
PROJECT NUMBER:
16-028-14-30

00	ISSUED FOR TENDER	17 06 09	JLS
REV. #	REVISION	DATE (YY MM DD)	REV. BY

REV. #	REVISION	DATE (YY MM DD)	REV. BY
--------	----------	-----------------	---------

SCALE:
AS NOTED
DATE (YY MM DD):
17 06 09

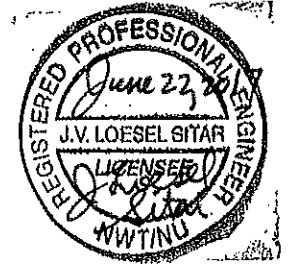
DRAWING NUMBER:
M1.0
REVISION NUMBER:
00



CONSTRUCTION NOTES: #

1. INSTALL NEW OIL TANK, STAND AND CONCRETE PAD. SEE SHEET M2.0
2. INSTALL NEW PIPING SUPPORT AS PER SHEET M2.1
3. CAULK ENTRY INTO BUILDING.
4. INSTALL NEW OIL TANK STAND TYPE #3.
5. INSTALL NEW 2" FUEL PIPE IN CRAWL SPACE. INSTALL NEW HANGERS AS PER SPECIFICATION (SUPPLY NEW ACCESS TO CRAWL SPACE NONE IS PRESENT AT THIS TIME.)
6. INSTALL NEW FUEL FILTER , FUSIBLE LINK, TIGER LOOP AND FUEL PIPING TO FURNACE AND HOT WATER TANK. SEE M3.0

01 CONSTRUCTION PLAN
M1.1 SCALE: 3/16"=1'-0"



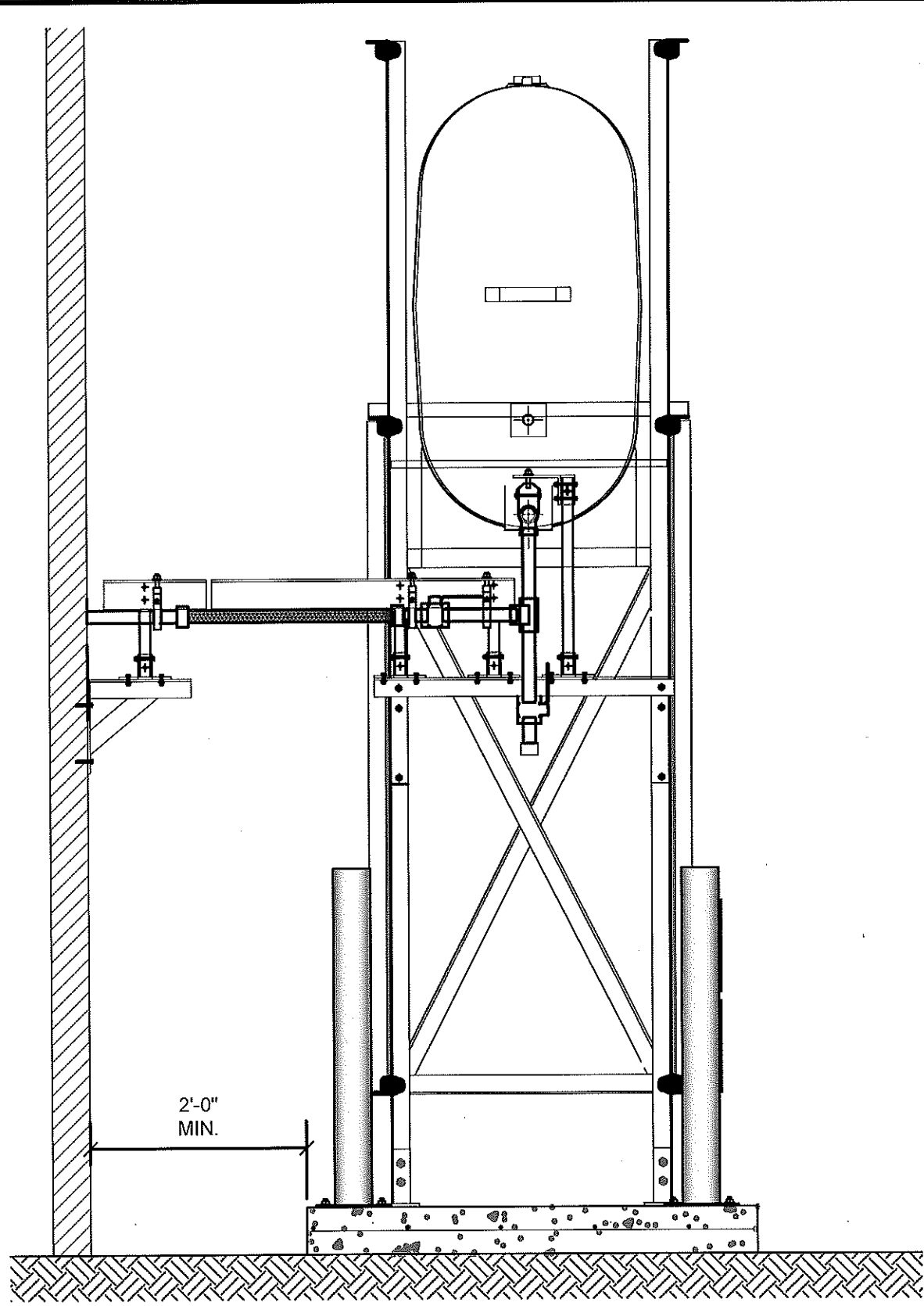
PROJECT TITLE:
RCMP "V" DIVISION OIL TANK REPLACEMENT - POND INLET
V140 - RESIDENCE , POND INLET
SHEET TITLE:
DEMOLITION AND CONSTRUCTION PLAN
PROJECT NUMBER:
16-028-14-30

00	ISSUED FOR TENDER	17 06 09	JLS
REV. #	REVISION	DATE (YY MM DD)	REV. BY

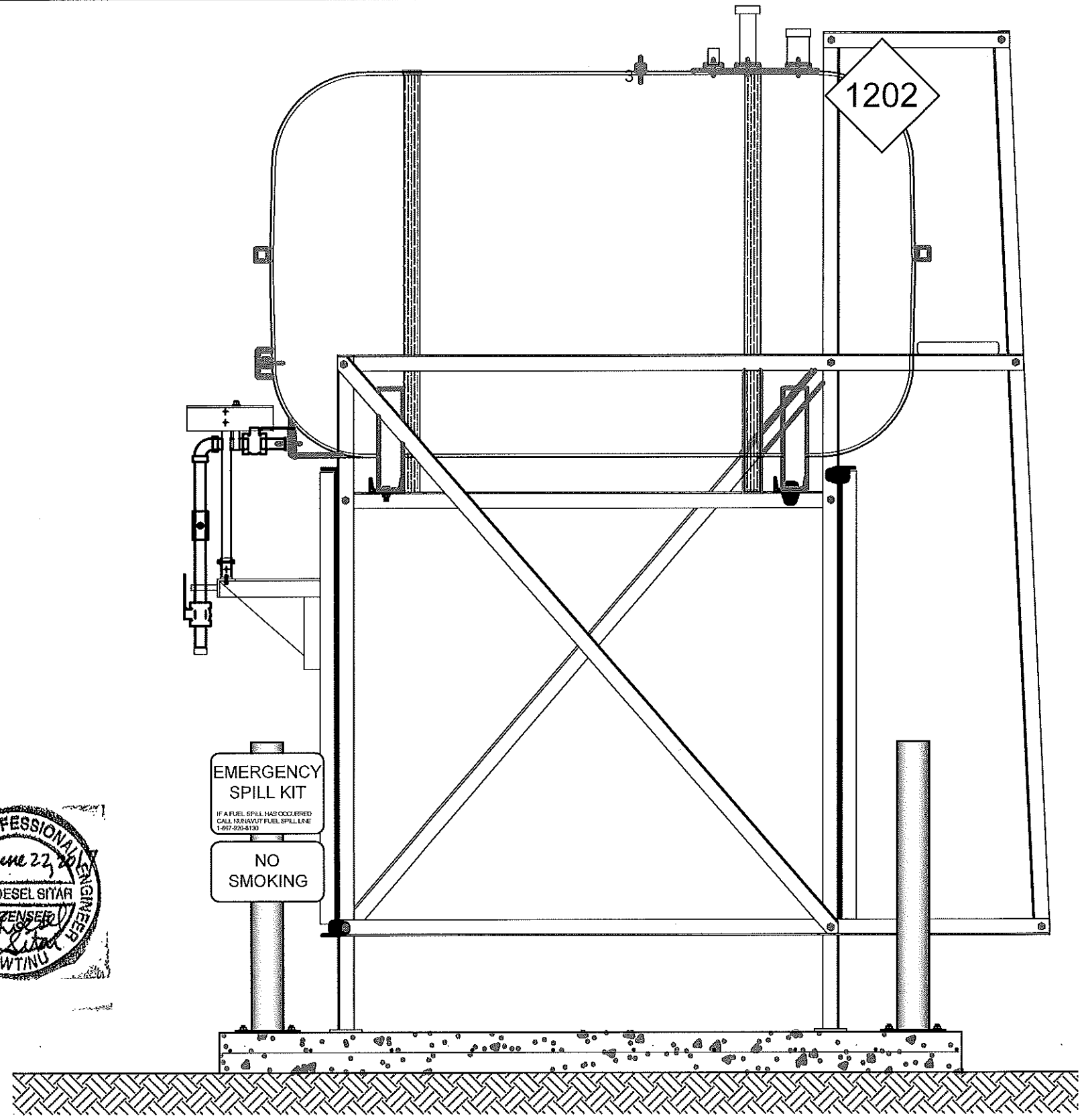
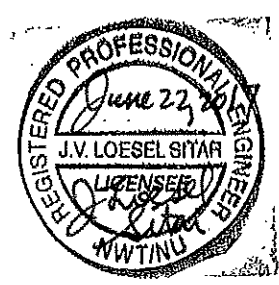
REV. #	REVISION	DATE (YY MM DD)	REV. BY
--------	----------	-----------------	---------

SCALE:
AS NOTED
DATE (YY MM DD):
17 06 09

DRAWING NUMBER:
M1.1
REVISION NUMBER:
00



01 OIL TANK ELEVATION - A
M2.0 SCALE: 3/4"-1'-0"



02 OIL TANK ELEVATION - B
M2.0 SCALE: 3/4"-1'-0"



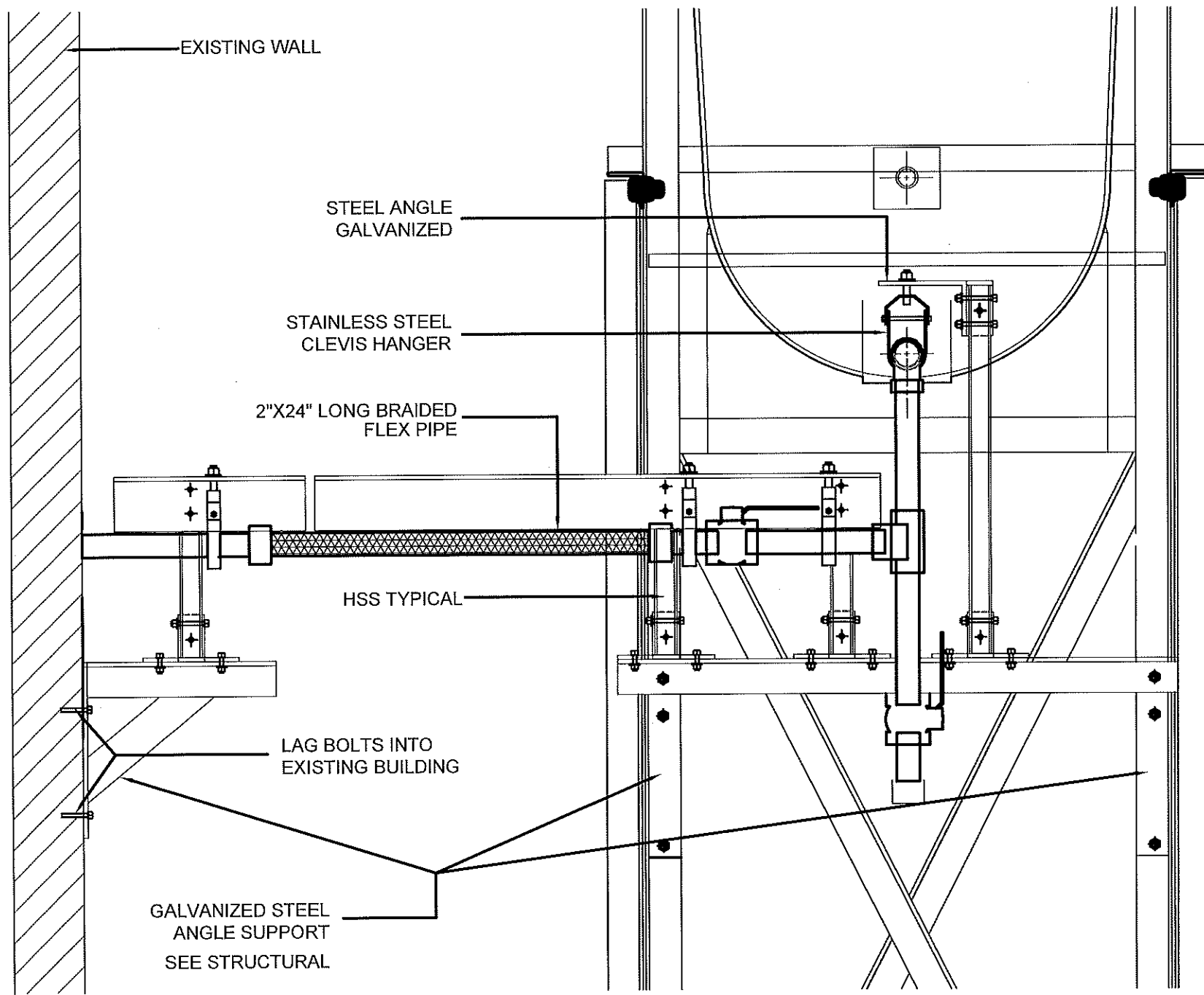
PROJECT TITLE:
RCMP "V" DIVISION OIL TANK REPLACEMENT - POND INLET
V140 - RESIDENCE, POND INLET
SHEET TITLE:
TANK ELEVATIONS
PROJECT NUMBER:
16-028-14-30

00	ISSUED FOR TENDER	17 06 09	JLS
REV. #	REVISION	DATE (YY MM DD)	REV. BY

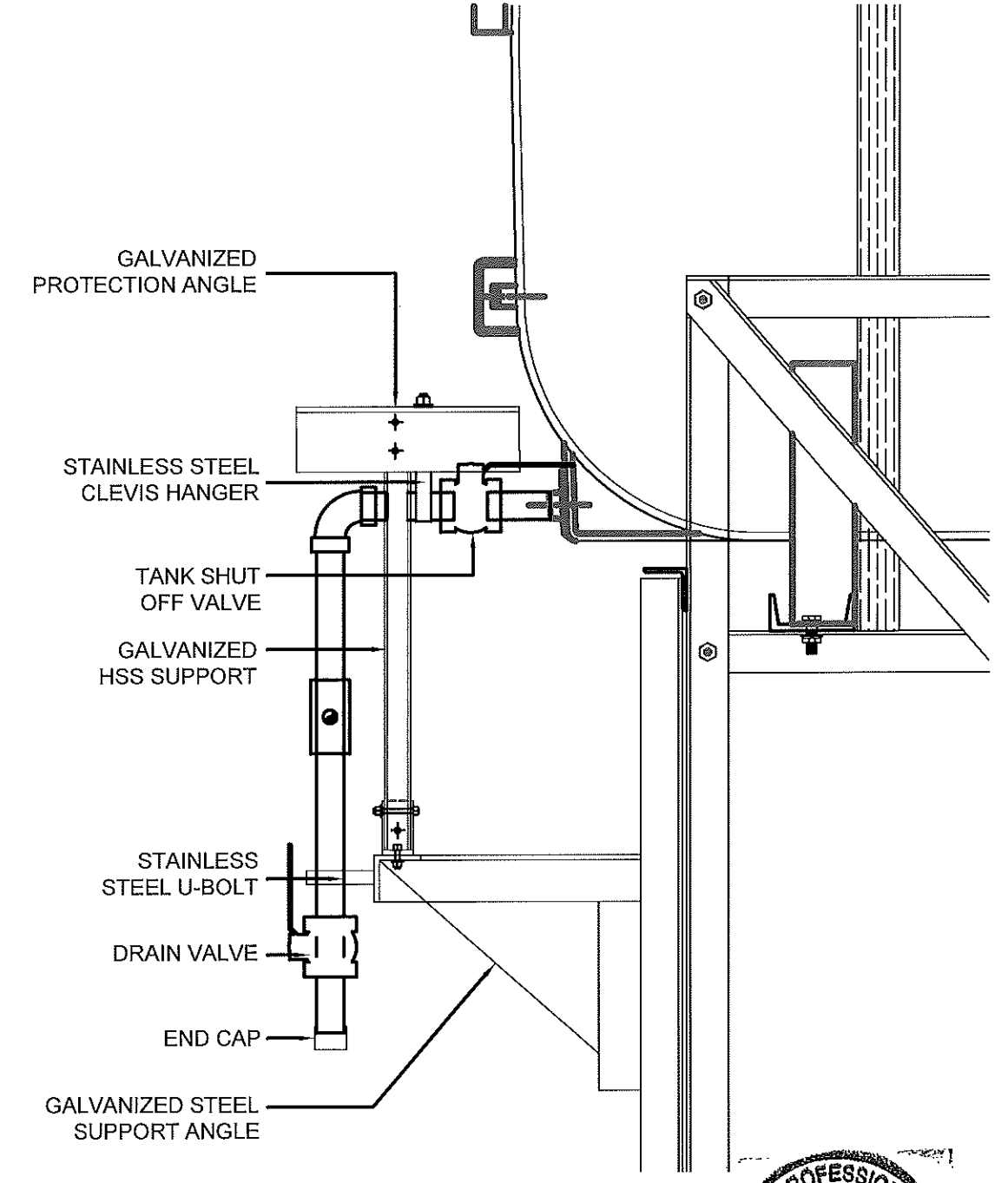
REV. #	REVISION	DATE (YY MM DD)	REV. BY
--------	----------	-----------------	---------

SCALE:
AS NOTED
DATE (YY MM DD):
17 06 09

DRAWING NUMBER:
M2.0
REVISION NUMBER:
00



01 FRONT VIEW
M2.1 SCALE: 1 1/2"-1'-0"



02 SIDE VIEW
M2.1 SCALE: 1 1/2"-1'-0"



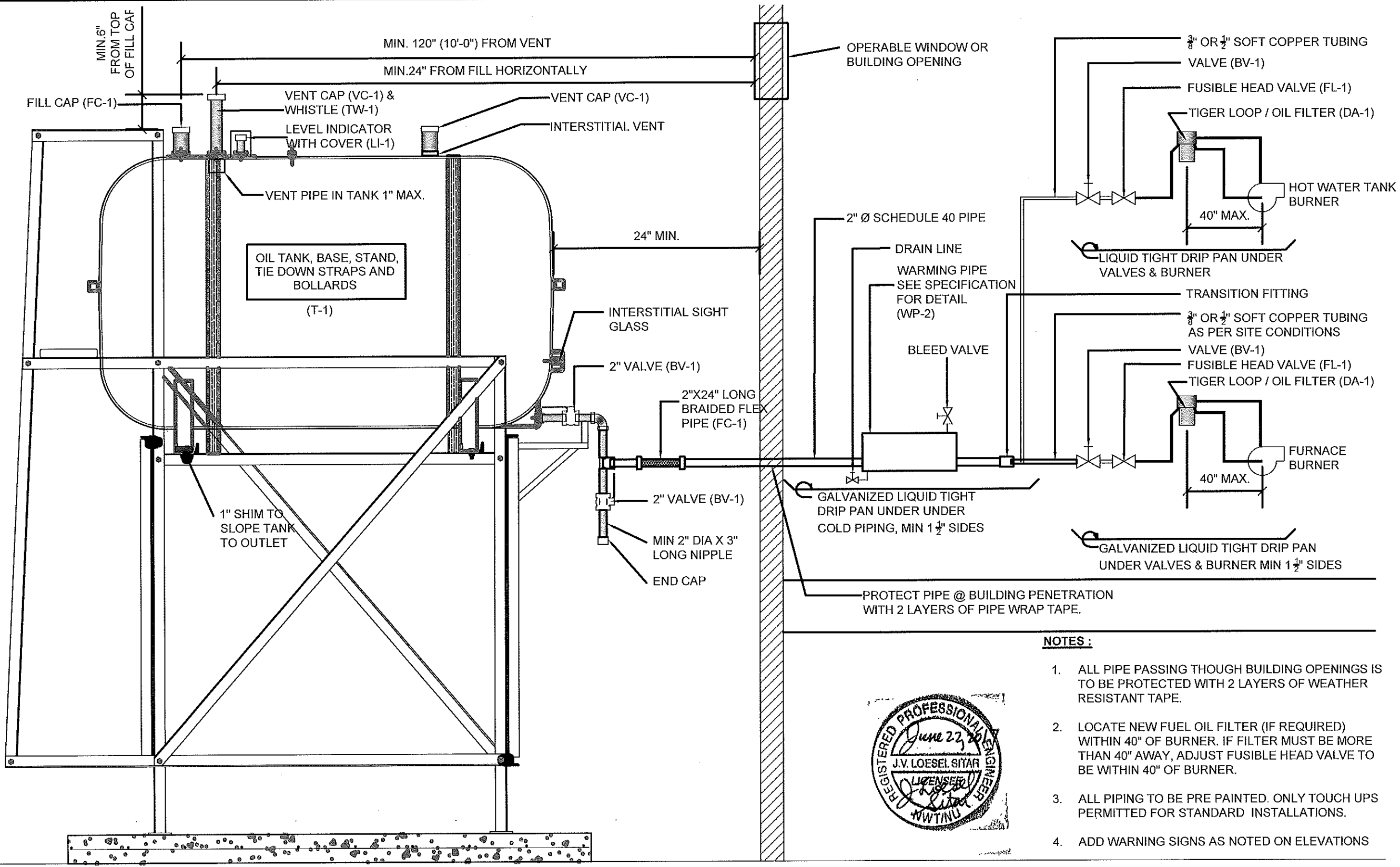
PROJECT TITLE:
RCMP "V" DIVISION OIL TANK REPLACEMENT - POND INLET
V140 - RESIDENCE , POND INLET
SHEET TITLE:
2" FUEL LINE SUPPORT DETAIL
PROJECT NUMBER:
16-028-14-30

03	ISSUED FOR REVIEW 99%	17 05 30	JLS
02	ISSUED FOR REVIEW 66%	17/04/07	JLS
00	ISSUED FOR REVIEW	17 03 06	JLS
REV. #	REVISION	DATE (YY MM DD)	REV. BY

REV. #	REVISION	DATE (YY MM DD)	REV. BY
--------	----------	-----------------	---------

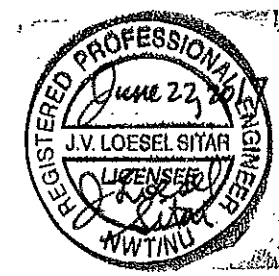
SCALE:
AS NOTED
DATE (YY MM DD):
17 03 06

DRAWING NUMBER:
M2.1
REVISION NUMBER:
00



NOTES:

1. ALL PIPE PASSING THROUGH BUILDING OPENINGS IS TO BE PROTECTED WITH 2 LAYERS OF WEATHER RESISTANT TAPE.
2. LOCATE NEW FUEL OIL FILTER (IF REQUIRED) WITHIN 40" OF BURNER. IF FILTER MUST BE MORE THAN 40" AWAY, ADJUST FUSIBLE HEAD VALVE TO BE WITHIN 40" OF BURNER.
3. ALL PIPING TO BE PRE PAINTED. ONLY TOUCH UPS PERMITTED FOR STANDARD INSTALLATIONS.
4. ADD WARNING SIGNS AS NOTED ON ELEVATIONS



01 SCHEMATIC - TANK, PIPING & ACCESSORIES : ON STAND
M3.0 SCALE: NTS



PROJECT TITLE:
RCMP "V" DIVISION OIL TANK REPLACEMENT - POND INLET
V140 - RESIDENCE , POND INLET
SHEET TITLE:
SCHEMATIC - TANK, PIPING & ACCESSORIES
PROJECT NUMBER:
16-028-14-30

00	ISSUED FOR TENDER	17 06 09	JLS
REV. #	REVISION	DATE (YY MM DD)	REV. BY

REV. #	REVISION	DATE (YY MM DD)	REV. BY
--------	----------	-----------------	---------

SCALE:
AS NOTED
DATE (YY MM DD):
17 06 09

DRAWING NUMBER:
M3.0
REVISION NUMBER:
00

GENERAL NOTES:

- DO NOT SCALE DRAWINGS.
- COORDINATE AND VERIFY ALL DIMENSIONS WITH ARCHITECTURAL DRAWINGS PRIOR TO COMMENCING CONSTRUCTION.
- SEE ARCHITECTURAL DRAWINGS FOR ELEVATIONS, SLOPES, ROUGH OPENING DIMENSIONS FOR WINDOWS, DOORS, ETC.
- SEE MECHANICAL AND ELECTRICAL DRAWINGS FOR OPENINGS IN FLOORS, ROOF, WALLS, ETC.
- DO NOT CUT OR DRILL OPENINGS IN ANY STRUCTURAL MEMBERS WITHOUT WRITTEN APPROVAL FROM BEACH ROCKE ENGINEERING LTD.
- BEACH ROCKE ENGINEERING LTD. SHALL BE NOTIFIED AT LEAST 48 HOURS IN ADVANCE OF REQUIRED SITE INSPECTIONS. (TEL: 1-204-255-7251, FAX: 1-204-257-7239).
- STRUCTURAL DRAWINGS SHOW THE COMPLETED STRUCTURE. THEY DO NOT SHOW COMPONENTS WHICH MAY BE NECESSARY FOR SAFETY DURING CONSTRUCTION. THE CONTRACTOR IS RESPONSIBLE FOR CONSTRUCTION SITE SAFETY AND TO ENSURE THAT ALL SUBTRADES CONFORM TO THE LATEST REGULATIONS OF THE PROVINCIAL "BUILDING PROTECTION ACT", TO PROVIDE ALL NECESSARY SAFETY EQUIPMENT AS REQUIRED THEREIN AND TO NOTIFY LOCAL AUTHORITIES AS REQUIRED BY LAW.
- THE CONTRACTOR SHALL CONFORM TO THE COLD WEATHER REQUIREMENTS OF THE CSA STANDARD A23.1/A23.2 AND THE NATIONAL BUILDING CODE.
- IT IS THE GENERAL CONTRACTORS RESPONSIBILITY TO LOCATE ALL SITE SERVICES PRIOR TO CONSTRUCTION.
- THE GENERAL CONTRACTOR SHALL DESIGN ALL SHORING, FORM WORK, AND BRACING TO ENSURE PROPER CONSTRUCTION AND ERECTION.
- THE CONTRACTOR SHALL VISIT THE SITE, AND NOTE ALL CHARACTERISTICS AND IRREGULARITIES AFFECTING THE WORK OF THIS SECTION.
- SHOP DRAWINGS NOT STAMPED, SIGNED, AND DATED BY THE CONTRACTOR WILL BE RETURNED AND SHALL BE CONSIDERED REJECTED. SHOP DRAWINGS FOR WORK DESIGNED BY THE CONTRACTOR SHALL BEAR THE SEAL AND SIGNATURE OF A QUALIFIED PROFESSIONAL ENGINEER IN THE PROJECTS PROVINCE.
- THE CONTRACTOR SHALL SUBMIT AT LEAST 3 COPIES OF STAMPED SHOP DRAWINGS FOR ALL PRE-FABRICATED STRUCTURAL ASSEMBLIES, INCLUDING REINFORCING STEEL TO BEACH ROCKE ENGINEERING LTD. FOR REVIEW AND APPROVAL PRIOR TO FABRICATION. ALL SHOP DRAWINGS, EXCEPT REINFORCING STEEL, SHALL BEAR THE SEAL OF AN ENGINEER REGISTERED IN THE PROJECTS PROVINCE.

SLAB-ON-GRADE NOTES:

- ALL SLAB-ON-GRADE WILL EXPERIENCE MOVEMENT AND CRACKING DUE TO HEAVING AND SOIL EXPANSION RESULTING FROM THE NATURE OF THE CLAY SOIL, PREVIOUS AND PRESENT LEVEL OF VEGETATION AT THE SITE, SOIL MOISTURE LEVEL AND CONSTRUCTION PRACTICES. BEACH ROCKE ENGINEERING LTD. ACCEPTS NO LIABILITY FOR THIS CRACKING AND /OR MOVEMENT.

CONCRETE NOTES:

- CONCRETE SHALL BE MANUFACTURED AND PLACED IN ACCORDANCE WITH THE CSA STANDARDS A23.1-09/A23.2-09.
- THE CONTRACTOR SHALL PROVIDE ONE SET OF STANDARD CONCRETE CYLINDER TEST RESULTS CONDUCTED BY AN INDEPENDENT TESTING FIRM FOR EACH DAYS POUR AND AN ADDITIONAL SET OF CYLINDERS FOR EVERY 50 CUBIC METERS POURED AT NO EXTRA COST TO THE OWNER. TEST RESULTS ARE TO BE FORWARDED TO BEACH ROCKE ENGINEERING LTD. IMMEDIATELY UPON RECEIPT FROM THE TESTING FIRM.
- PROVIDE A MINIMUM 150mm (6") VOID UNDER ALL BEAMS, WALLS AND STRUCTURAL SLABS. VOID TO BE SHEARMAT OR APPROVED CARDBOARD VOIDFORM.
- VIBRATE ALL CONCRETE TO ENSURE COMPLETE CONSOLIDATION.
- THE LOCATIONS OF CONSTRUCTION JOINTS IS THE RESPONSIBILITY OF THE CONTRACTOR AND SHALL BE APPROVED BY BEACH ROCKE ENGINEERING LTD.
- WHEN THE OUTSIDE TEMPERATURE FALLS BELOW 5 DEGREES CENTIGRADE, THE CONTRACTOR SHALL CONFORM TO CSA STANDARD A23.1-09/A23.2-09 AND THE NATIONAL BUILDING CODE FOR COLD WEATHER CONCRETING PROCEDURES, AND SHALL RECIEVE WRITTEN APPROVAL FROM BEACH ROCKE ENGINEERING LTD. PRIOR TO COMMENCING CONCRETE CONSTRUCTION.
- PROVIDE $\frac{3}{8}$ " x 1" SAW CUTS AT 20' O.C. BOTH WAYS IN FLOOR SLABS UNLESS OTHERWISE NOTED ON DRAWINGS.
- CONCRETE SHALL CONFORM TO THE FOLLOWING:

NAME	CONC. TYPE	STRENGTH	MAX. AGG.	SLUMP(MAX) AIR	EXPOSURE CLASS
SLABS	TYPE 10	32MPA @ 28 DAYS	20mm	120mm 5-8%	C-2

REINFORCING STEEL NOTES:

- REINFORCING STEEL SHALL BE NEW BILLET DEFORMED BARS MANUFACTURED AND DETAILED IN ACCORDANCE WITH CAN/CSA-G30.18-M92, WITH MINIMUM YEILD STRENGTH AS FOLLOWS: 10M BARS-300MPA, 15M BARS & LARGER - 400MPA.
- REINFORCING STEEL SHALL BE FREE FROM LOOSE RUST, MUD, OIL OR OTHER COATINGS WHICH MAY REDUCE THE BOND OR HARM THE CONCRETE.
- REINFORCING STEEL SHALL BE HELD IN PLACE AND TIED WITH PROPER ACCESSORIES SUCH AS HI-CHAIRS, SPACERS, TIES, ETC. SUPPLIED BY THE REINFORCING STEEL PROVIDER. APPROPRIATE SUPPORT SHALL BE PROVIDED UNDER ALL SUPPORT ACCESSORIES TO ENSURE THAT THE REINFORCING STEEL IS ACCURATELY POSITIONED.
- LAP TOP BARS AT MID-SPAN AND BOTTOM BARS OVER SUPPORTS.
- BEND ALL HORIZONTAL STEEL 18" AROUND CORNERS, OR USE EXTRA 36"x36" CORNER BARS TO MATCH HORIZONTALS.
- PROVIDE 2-15M AROUND ALL SLAB, WALL, & BEAM OPENINGS, UNLESS OTHERWISE NOTED ON STRUCTURAL DRAWINGS.
- CONCRETE COVER TO REINFORCING STEEL SHALL BE AS FOLLOWS:
 - CONCRETE CAST IN DIRECT CONTACT WITH SOIL - 75mm (3")
 - FORMED CONCRETE IN CONTACT WITH SOIL 15M OR SMALLER - 50mm (2")
 - FORMED CONCRETE IN CONTACT WITH SOIL 20M OR LARGER - 40mm (1 1/2")
 - FORMED CONCRETE NOT IN CONTACT WITH SOIL (BEAMS AND COLUMNS) - 40mm (1 1/2")
 - FORMED CONCRETE NOT IN CONTACT WITH SOIL (SLABS AND WALLS) - 20mm (3/4")
- MISCELLANEOUS CONCRETE HOUSEKEEPING PADS AND CURBS SHALL BE REINFORCED WITH A MINIMUM 10M AT 18" O.C. EACH WAY UNLESS NOTED. SEE ARCHITECTURAL, MECHANICAL, AND ELECTRICAL DRAWINGS.

STRUCTURAL STEEL NOTES:

- STRUCTURAL STEEL SHALL BE DESIGNED, FABRICATED AND ERECTED IN ACCORDANCE WITH THE CAN/CSA-S16-09 BY FULLY CERTIFIED MEMBERS OF THE CANADIAN INSTITUTE OF STEEL CONSTRUCTION.
- ALL STRUCTURAL STEEL SHALL CONFORM TO THE CAN/CSA G40.21-350W CLASS C TO SIZES AND SHAPES INDICATED ON THE DRAWINGS. NO SUBSTITUTIONS IN GRADES OR SIZES ARE PERMITTED WITHOUT WRITTEN APPROVAL OF BEACH ROCKE ENGINEERING LTD. ALL ANGLES AND PLATES TO BE G40.21-300W.
- ALL FABRICATION SHALL BE CARRIED OUT IN PLANT FACILITIES CERTIFIED BY THE CANADIAN WELDING BUREAU TO CSA S16-09 AND S136. SITE FABRICATION IS NOT PERMITTED WITHOUT WRITTEN APPROVAL FROM BEACH ROCKE ENGINEERING LTD.
- ALL WELDING SHALL BE PERFORMED IN ACCORDANCE WITH THE CSA W59 BY WELDERS FULLY CERTIFIED FOR STRUCTURAL WELDING BY THE CANADIAN BUREAU TO CSA W47.1. ALL BASE AND CAP PLATES SHALL BE FULLY WELDED TO COLUMNS.
- STRUCTURAL FASTENERS SHALL BE A325 BOLTS. ANCHOR BOLTS SHALL BE 18" LG. C/W 3"HOOK (A307) UNLESS NOTED OTHERWISE ON STRUCTURAL DRAWINGS. BASE AND CAP PLATES TO BE 3/4" THICK. CAP PLATES TO HAVE MIN. 4 BOLT (A325) CONNECTION UNLESS NOTED OTHERWISE ON STRUCTURAL DRAWINGS.
- PROVIDE TEMPORARY GUYING AND BRACING AS NECESSARY TO PROVIDE STABILITY FOR THE WHOLE STRUCTURE UNTIL DECKING AND PERMANENT BRACING ARE SECURED IN PLACE.
- PROVIDE 3/8" STIFFENER PLATES IN ALL BEAMS CONTINUOUS OVER SUPPORTS. HOLES ARE NOT PERMITTED IN THE TOP FLANGES UNLESS NOTED OTHERWISE ON THE DRAWINGS.
- CLEAN ALL FIELD WELDS AND TOUCH UP WITH PRIMER TO MATCH SHOP COAT - ZINC PAINT
- DESIGN AND FABRICATE CONNECTIONS FOR THE FULL STRENGTH OF THE MEMBER. SPLICING OF MEMBERS IS NOT PERMITTED UNLESS WRITTEN APPROVAL FROM THE DESIGN ENGINEER HAS BEEN PROVIDED.
- ALL STEEL SHALL BE GALVANIZED.**
- STRUCTURAL STEEL SUPPLIER SHALL PROVIDE STAMPED SHOP DRAWINGS TO THE DESIGN ENGINEER FOR REVIEW AND APPROVAL PRIOR TO FABRICATION.

STRUCTURAL DRAWING LIST:

- S1 - STRUCTURAL PROJECT NOTES
- S2 - TYP TANK SLAB, BOLLARD AND BASE PLATE DETAILS & ISOMETRIC VIEW OF METAL STAND
- S3 - CONNECTION #1 DETAILS
- S4 - CONNECTION #2 DETAILS
- S5 - TANK #1 - PLAN VIEW OF TANK ON SLAB
- S6 - TANK #1 - ELEVATIONS OF TANK ON SLAB
- S7 - TANK #2 - PLAN VIEW OF TANK ON LOW METAL STAND
- S8 - TANK #2 - ELEVATIONS OF LOW METAL STAND
- S9 - TANK #2 - ELEVATIONS OF LOW METAL STAND
- S10 - TANK #3 - PLAN VIEW OF TANK ON HIGH METAL STAND
- S11 - TANK #3 - ELEVATIONS OF HIGH METAL STAND
- S12 - TANK #3 - ELEVATIONS OF HIGH METAL STAND
- S13 - TANK #4 - PLAN VIEW OF TANK ON LOW DOUBLE METAL STAND
- S14 - TANK #4 - ELEVATIONS OF LOW DOUBLE METAL STAND
- S15 - TANK #4 - ELEVATIONS OF LOW DOUBLE METAL STAND
- S16 - TANK #5 - PLAN VIEW OF TANK ON HIGH DOUBLE METAL STAND
- S17 - TANK #5 - ELEVATIONS OF HIGH DOUBLE METAL STAND
- S18 - TANK #5 - ELEVATIONS OF HIGH DOUBLE METAL STAND



PROJECT TITLE:
RCMP "V" DIVISION OIL TANK REPLACEMENT

SHEET TITLE:
PROJECT NOTES

PROJECT NUMBER:
17-122-CG-39



REV. #	REVISION	DATE (YY MM DD)	REV. BY
03	ISSUED FOR TENDER	17 06 12	RH
02	ISSUED FOR 99% REVIEW	17 05 30	RH
01	ISSUED FOR REVIEW	17 03 31	RH

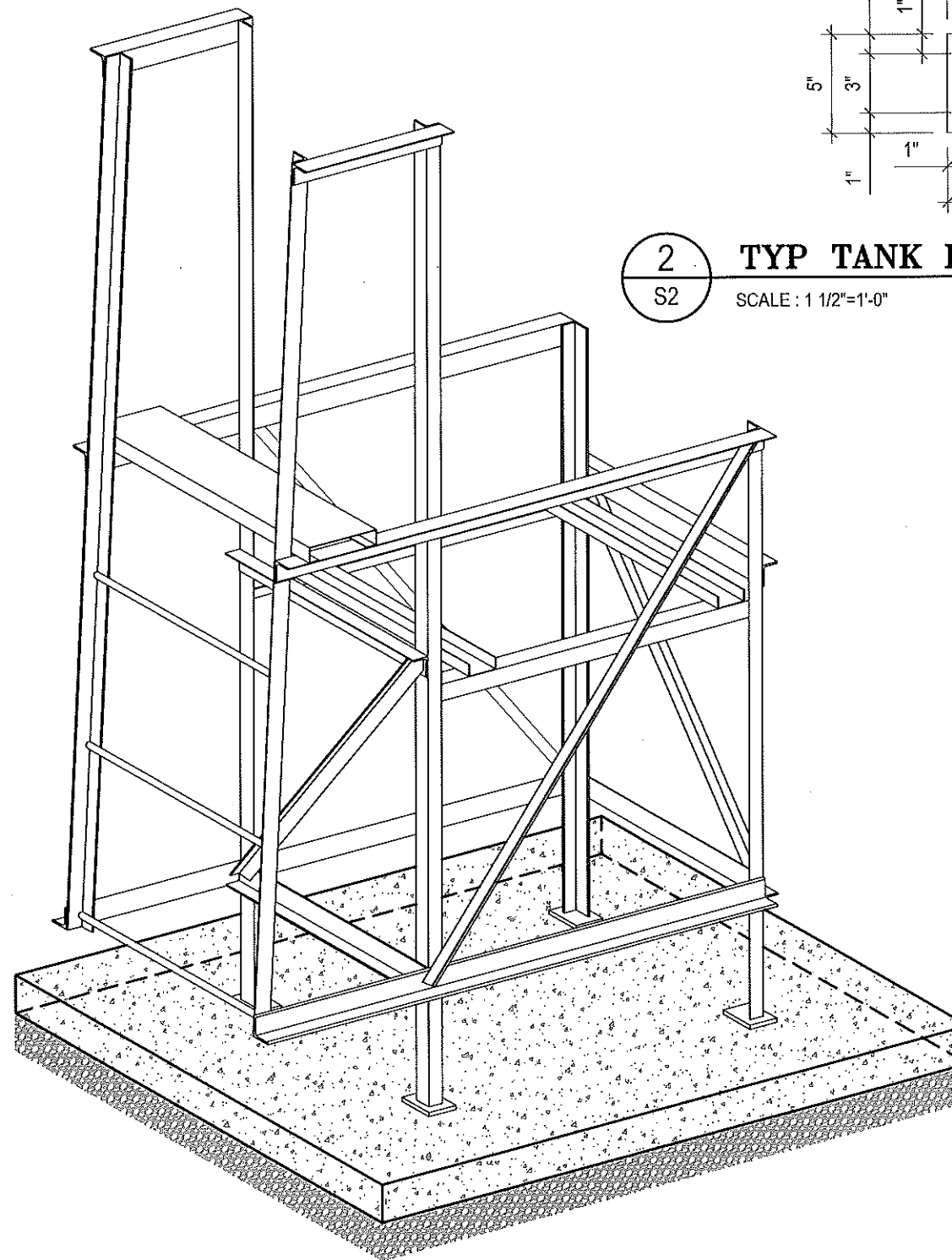
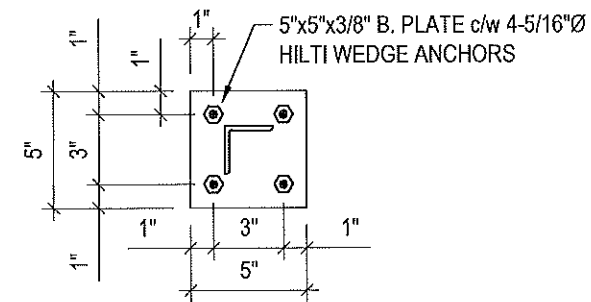
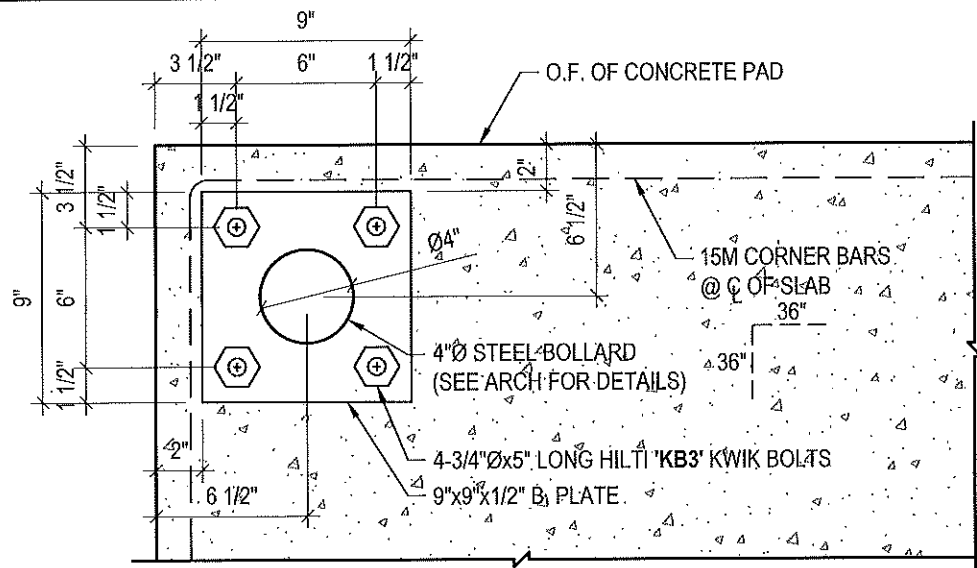
REV. #	REVISION	DATE (YY MM DD)	REV. BY

SCALE:
AS NOTED

DATE (YY MM DD):
17 06 12

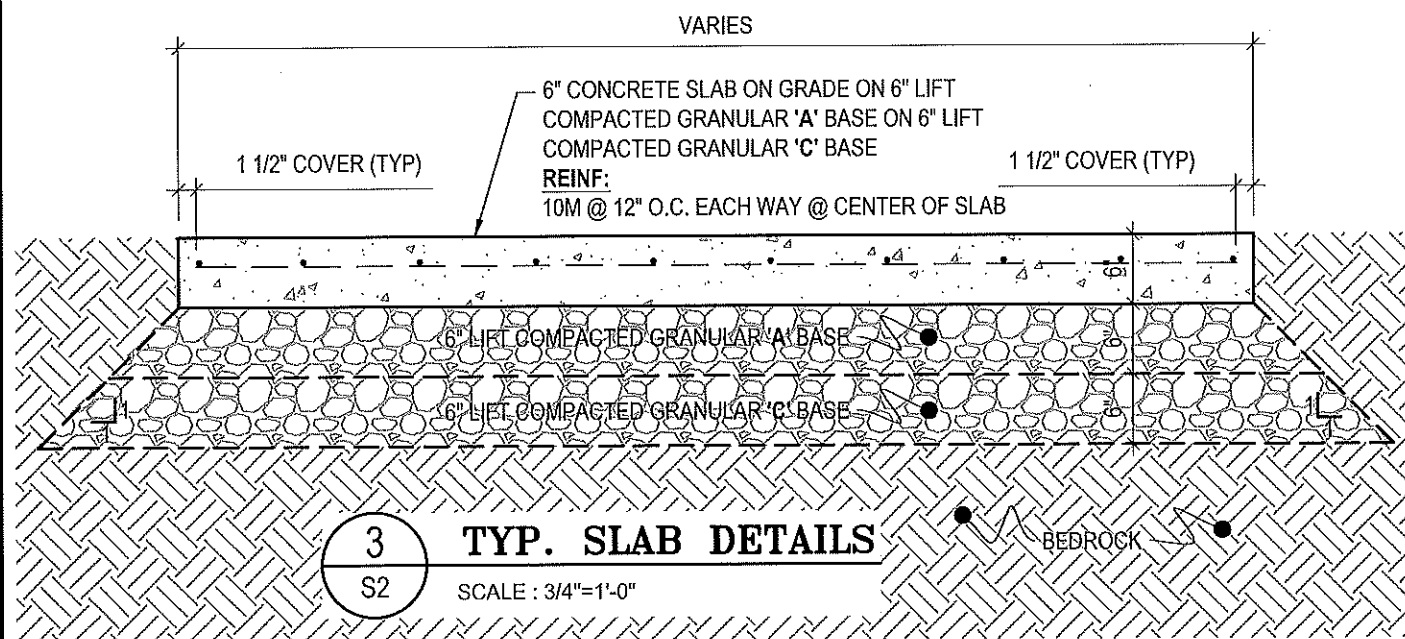
DRAWING NUMBER:
S1

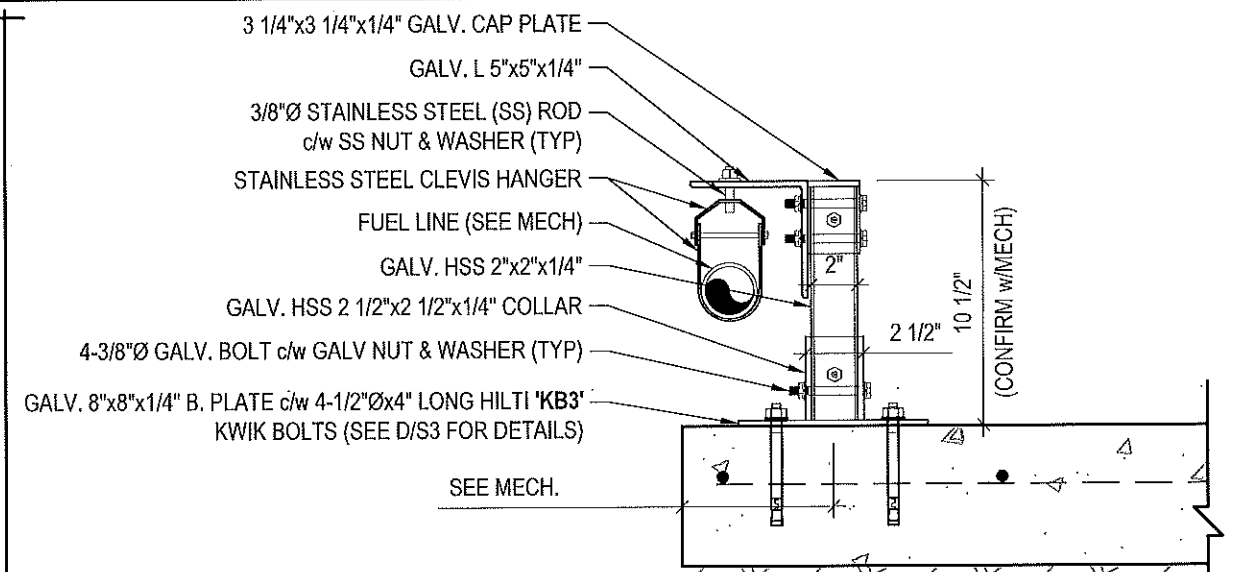
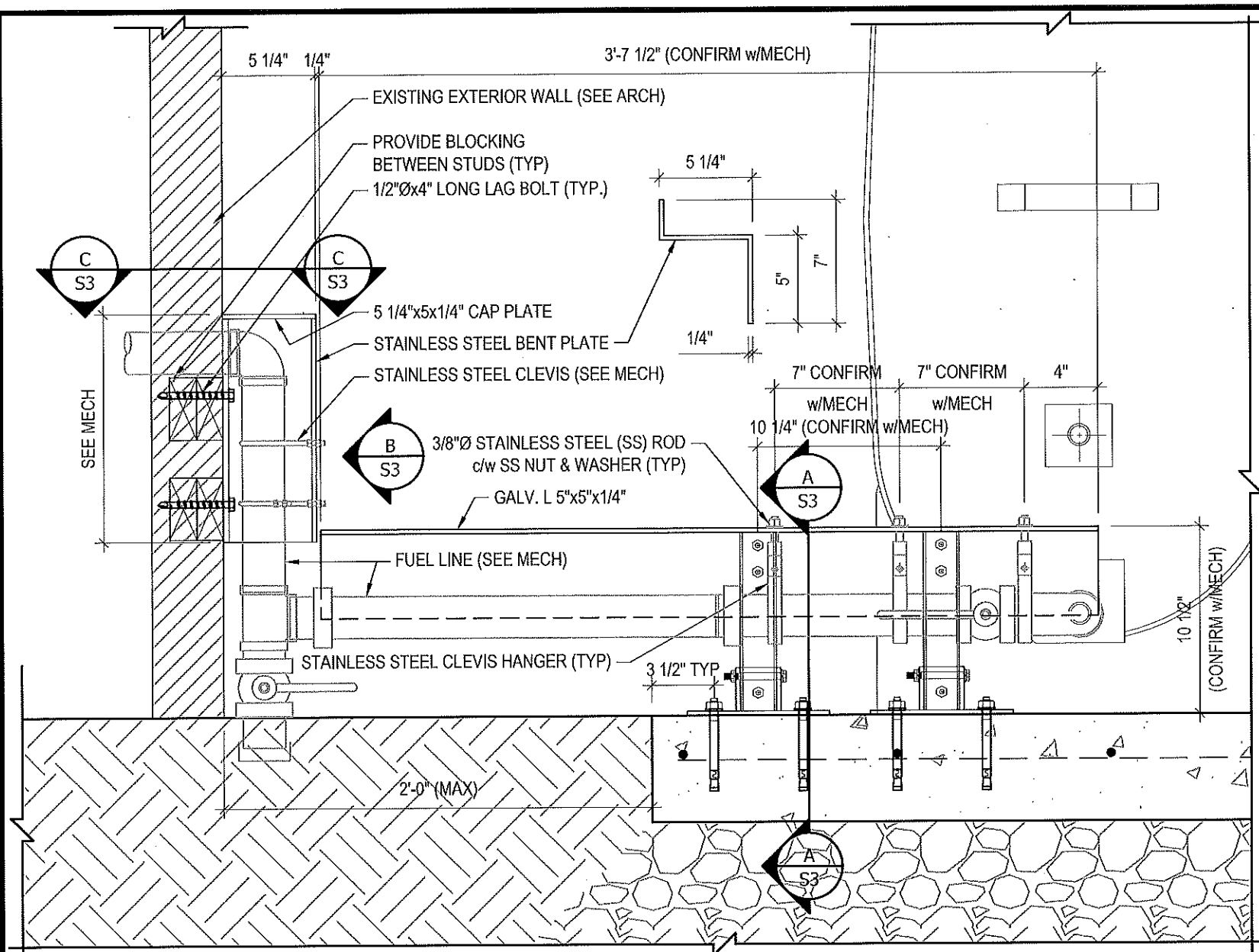
REVISION NUMBER:
00



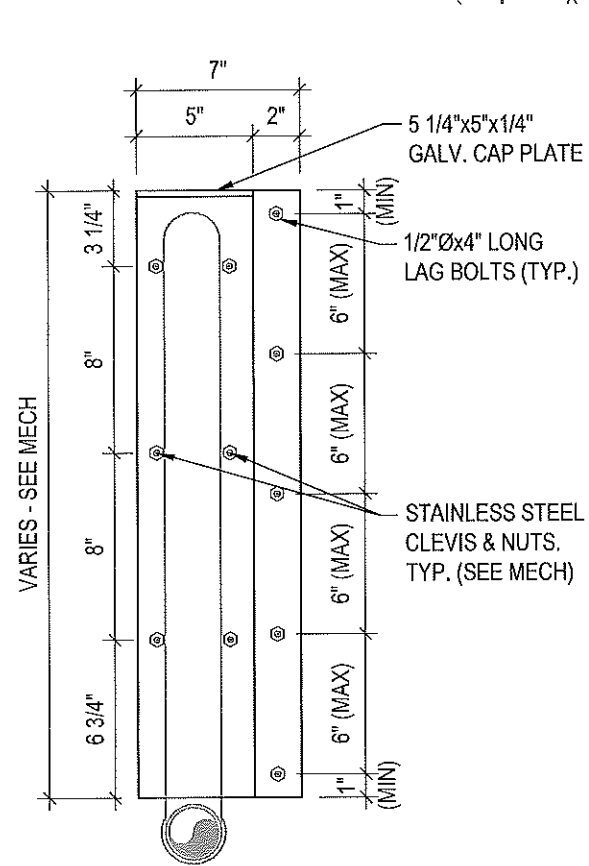
NOTES:

- ALL STEEL TO BE GALVANIZED (GALV) OR STAINLESS STEEL (SS)
- CONFIRM ALL DIMENSIONS SHOWN WITH MECH. DRAWINGS

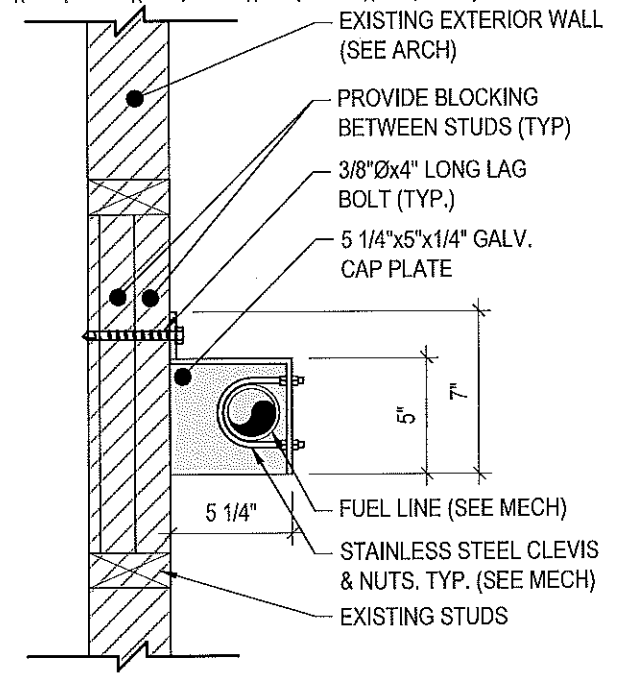




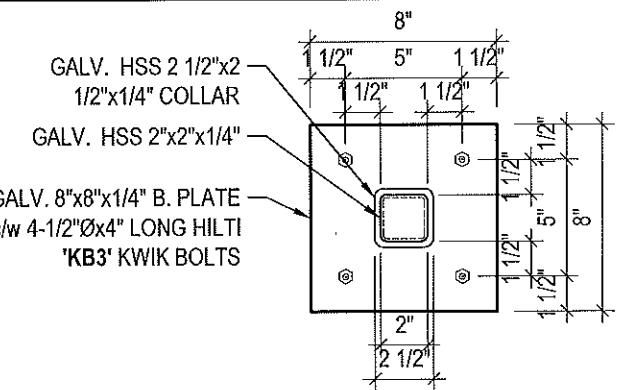
A
S3
SCALE: 1 1/2"=1'-0"



B
S3
SCALE: 1 1/2"=1'-0"



C
S3
SCALE: 1 1/2"=1'-0"



D
S3
SCALE: 1 1/2"=1'-0"

1 CONNECTION #1 DETAILS
S3
SCALE: 1 1/2"=1'-0"

NOTES:
 • ALL STEEL TO BE GALVANIZED (GALV) OR STAINLESS STEEL (SS)
 • CONFIRM ALL DIMENSIONS SHOWN WITH MECH. DRAWINGS



PROJECT TITLE:
RCMP "V" DIVISION OIL TANK REPLACEMENT
 SHEET TITLE:
CONNECTION #1 DETAILS
 PROJECT NUMBER:
17-122-CG-39

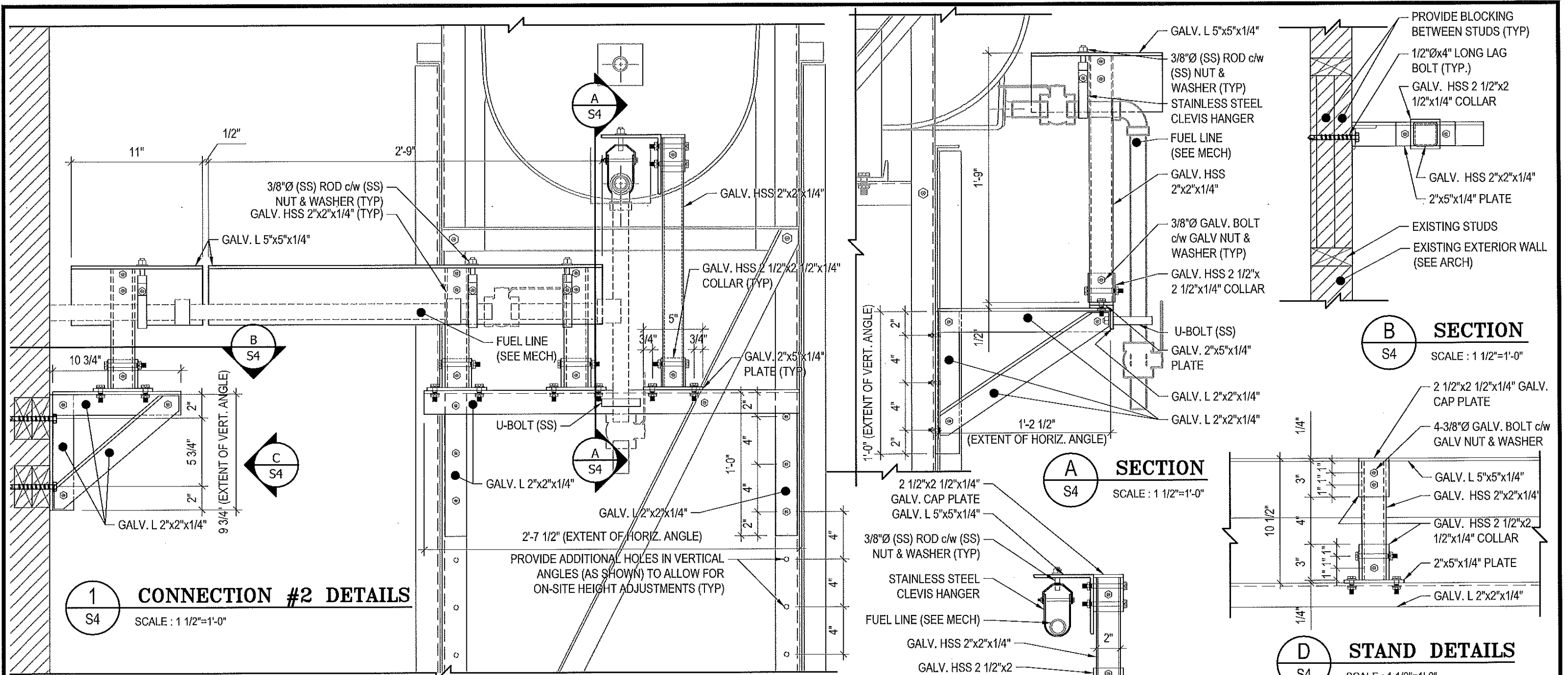


REV. #	REVISION	DATE (YY MM DD)	REV. BY
03	ISSUED FOR TENDER	17 06 12	RH
02	ISSUED FOR 99% REVIEW	17 05 30	RH
01	ISSUED FOR REVIEW	17 03 31	RH

REV. #	REVISION	DATE (YY MM DD)	REV. BY

SCALE:
AS NOTED
 DATE (YY MM DD):
17 06 12

DRAWING NUMBER:
S3
 REVISION NUMBER:
00



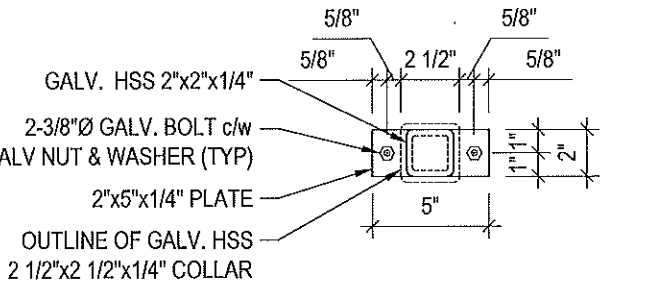
1 CONNECTION #2 DETAILS
S4 SCALE : 1 1/2"=1'-0"

A SECTION
S4 SCALE : 1 1/2"=1'-0"

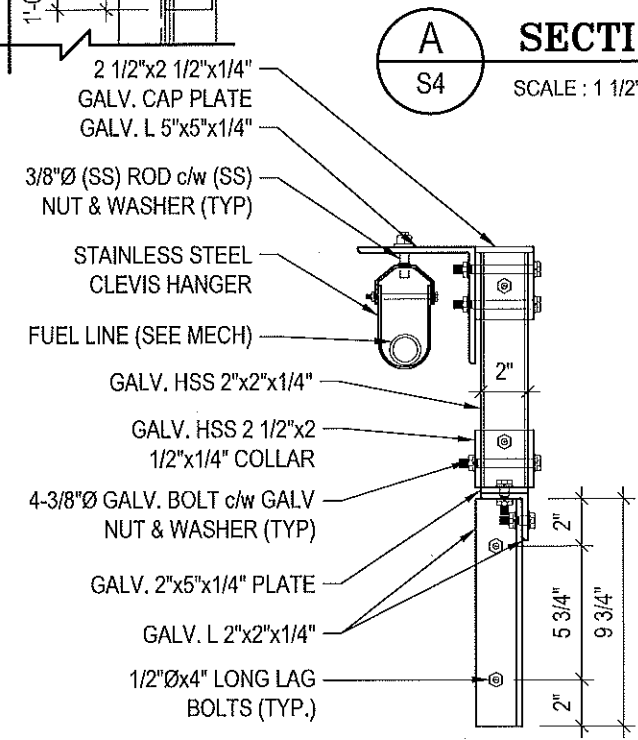
B SECTION
S4 SCALE : 1 1/2"=1'-0"

D STAND DETAILS
S4 SCALE : 1 1/2"=1'-0"

NOTES:
 • ALL STEEL TO BE GALVANIZED (GALV) OR STAINLESS STEEL (SS)
 • CONFIRM ALL DIMENSIONS SHOWN WITH MECH. DRAWINGS



E STAND PLATE DETAILS
S4 SCALE : 1 1/2"=1'-0"



C ELEVATION
S4 SCALE : 1 1/2"=1'-0"



PROJECT TITLE:
RCMP "V" DIVISION OIL TANK REPLACEMENT
SHEET TITLE:
CONNECTION #2 DETAILS
PROJECT NUMBER:
17-122-CG-39



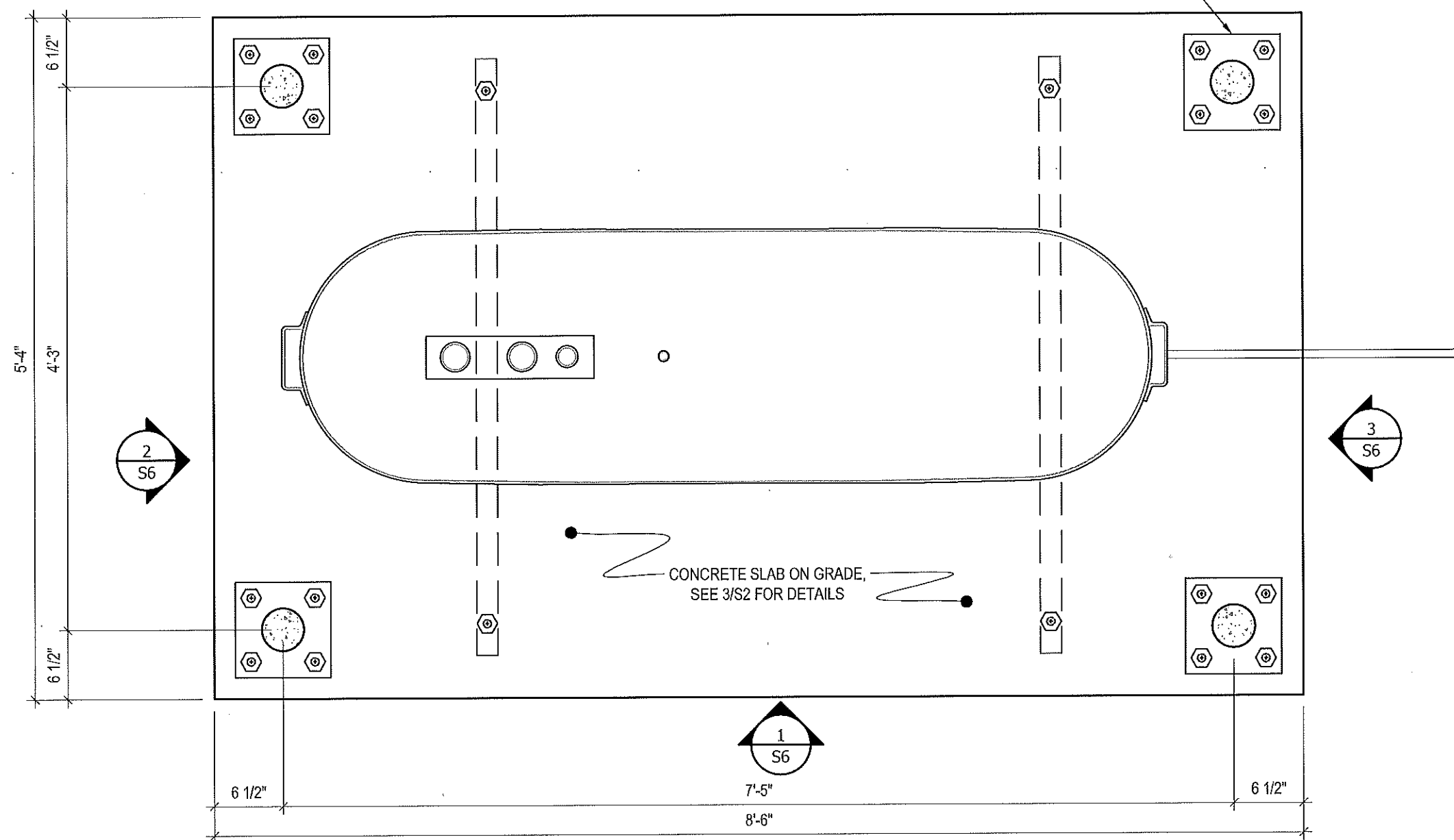
REV. #	REVISION	DATE (YY MM DD)	REV. BY
03	ISSUED FOR TENDER	17 06 12	RH
02	ISSUED FOR 99% REVIEW	17 05 30	RH
01	ISSUED FOR REVIEW	17 03 31	RH

REV. #	REVISION	DATE (YY MM DD)	REV. BY

SCALE:
AS NOTED
DATE (YY MM DD):
17 06 12

DRAWINGS NUMBER:
S4
REVISION NUMBER:
00

CONCRETE BOLLARD BASE PLATE. SEE 1/S2 FOR STRUCTURAL DETAILS, SEE MECHANICAL DRAWINGS FOR LOCATION AND NUMBER OF BOLLARDS REQUIRED FOR EACH CONCRETE PAD BASE



1 PLAN VIEW - TANK #1
S5 SCALE : 1"=1'-0"



PROJECT TITLE:
RCMP "V" DIVISION OIL TANK REPLACEMENT
SHEET TITLE:
TANK #1 - PLAN VIEW
PROJECT NUMBER:
17-122-CG-39

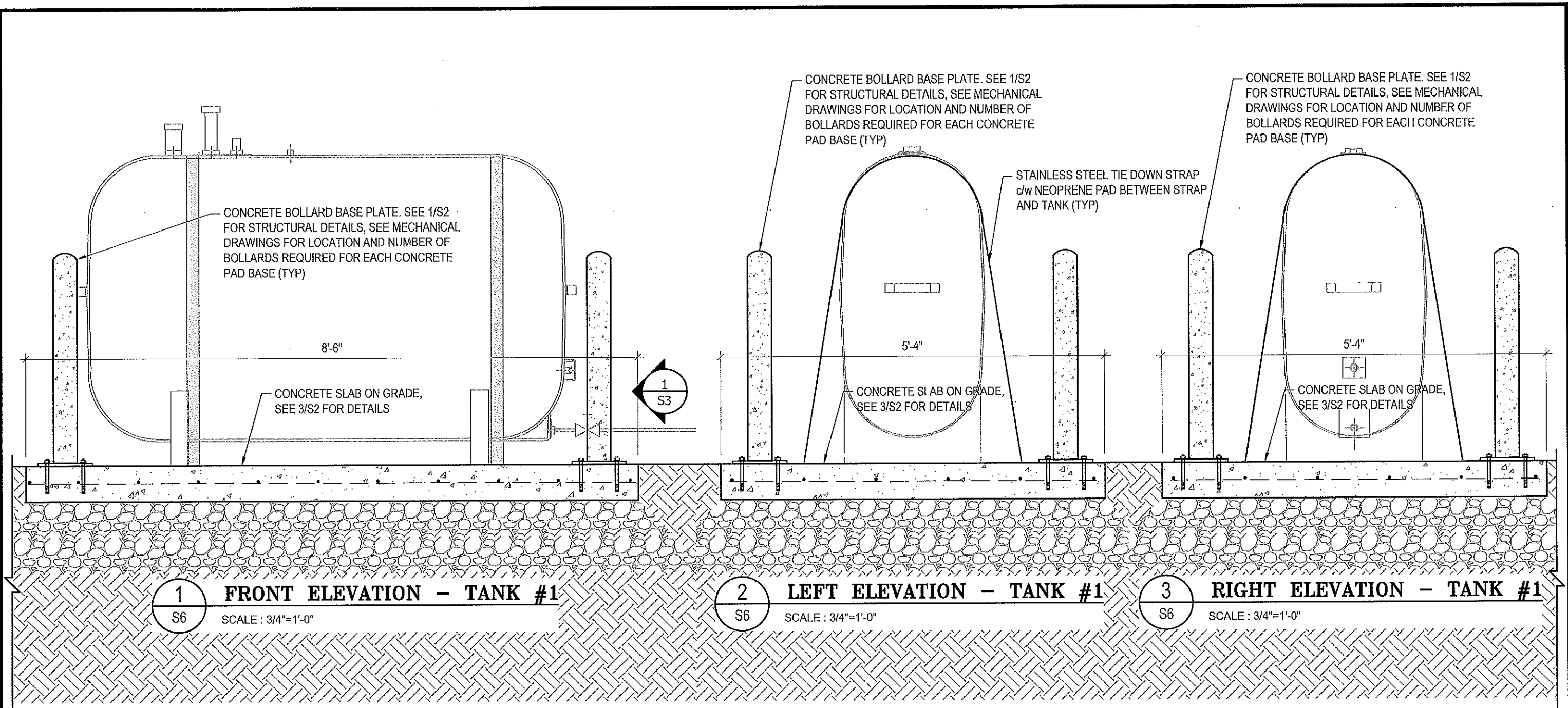
Beach Rocke
ENGINEERING LTD.
Professional Engineering Services
1050 St. Mary's Road, Winnipeg, Manitoba R2M 3S9
Telephone: (204) 255-7251 Fax: (204) 257-7228
Website: www.beachrocke.ca

REV. #	REVISION	DATE (YY MM DD)	REV. BY
03	ISSUED FOR TENDER	17 06 12	RH
02	ISSUED FOR 99% REVIEW	17 05 30	RH
01	ISSUED FOR REVIEW	17 03 31	RH

REV. #	REVISION	DATE (YY MM DD)	REV. BY

SCALE:
AS NOTED
DATE (YY MM DD):
17 06 12

DRAWING NUMBER:
S5
REVISION NUMBER:
00



1
S6

FRONT ELEVATION - TANK #1

SCALE : 3/4"=1'-0"

2
S6

LEFT ELEVATION - TANK #1

SCALE : 3/4"=1'-0"

3
S6

RIGHT ELEVATION - TANK #1

SCALE : 3/4"=1'-0"



PROJECT TITLE:
RCMP "V" DIVISION OIL TANK REPLACEMENT
SHEET TITLE:
TANK #1 - ELEVATIONS
PROJECT NUMBER:
17-122-CG-39

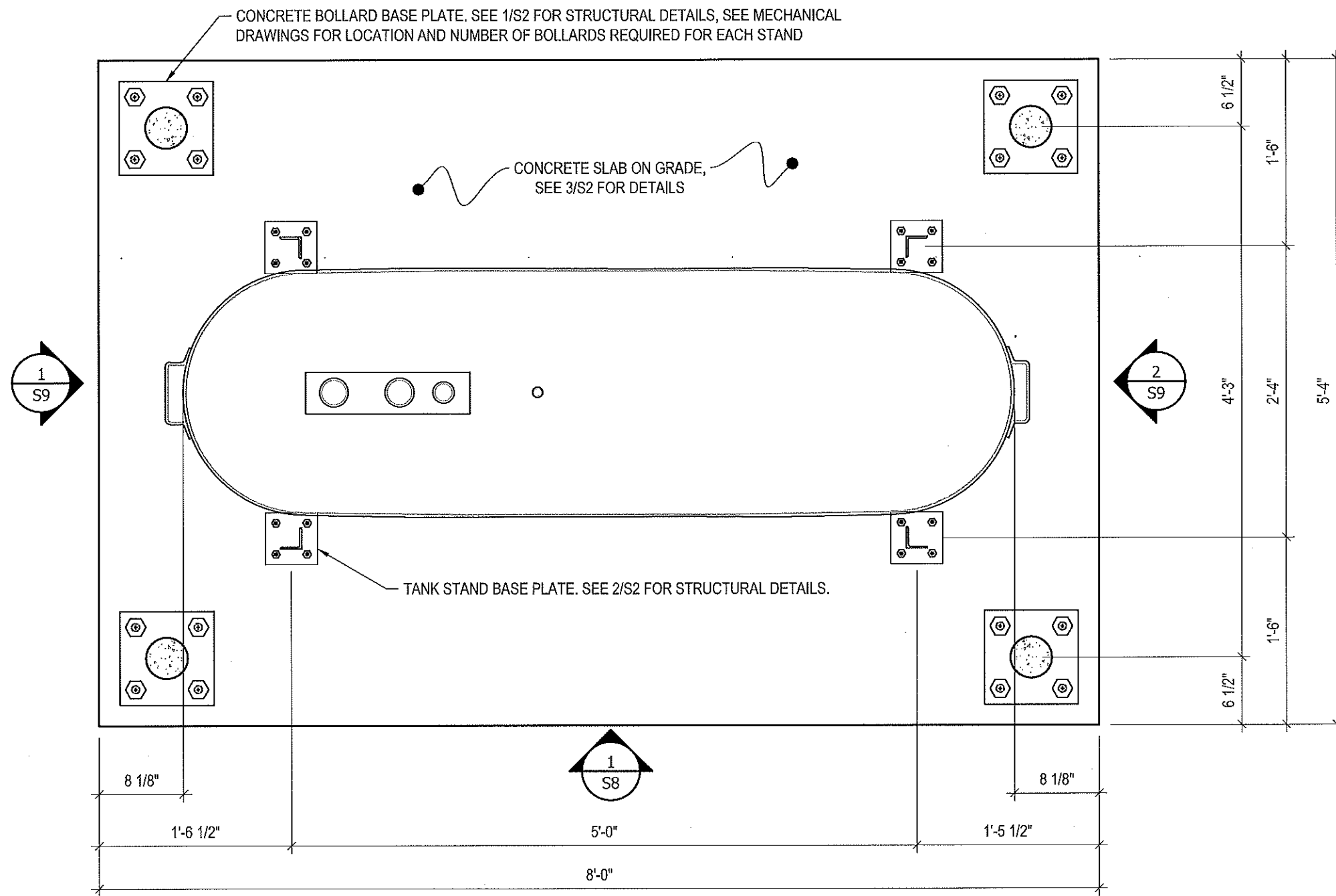


REV. #	REVISION	DATE (YY MM DD)	REV. BY
03	ISSUED FOR TENDER	17 06 12	RH
02	ISSUED FOR 99% REVIEW	17 05 30	RH
01	ISSUED FOR REVIEW	17 03 31	RH

REV. #	REVISION	DATE (YY MM DD)	REV. BY

SCALE:
AS NOTED
DATE (YY MM DD):
17 06 12

DRAWING NUMBER:
S6
REVISION NUMBER:
00



1
S7

PLAN VIEW - TANK #2
SCALE : 1"=1'-0"



PROJECT TITLE:
RCMP "V" DIVISION OIL TANK REPLACEMENT

SHEET TITLE:
TANK #2 - PLAN VIEW

PROJECT NUMBER:
17-122-CG-39



REV. #	REVISION	DATE (YY MM DD)	REV. BY
03	ISSUED FOR TENDER	17 06 12	RH
02	ISSUED FOR 99% REVIEW	17 05 30	RH
01	ISSUED FOR REVIEW	17 03 31	RH

REV. #	REVISION	DATE (YY MM DD)	REV. BY

SCALE:
AS NOTED

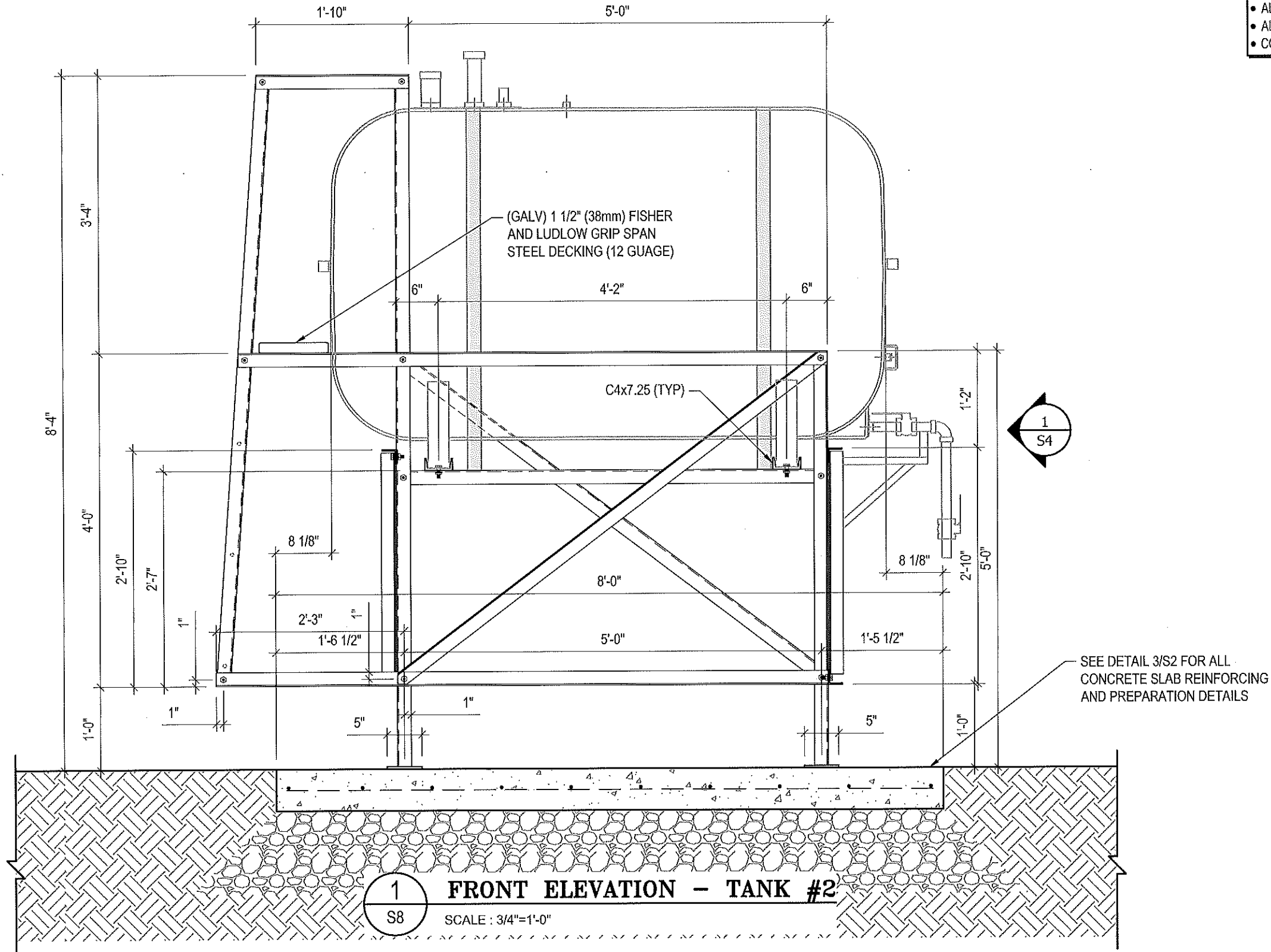
DATE (YY MM DD):
17 06 12

DRAWING NUMBER:

S7

REVISION NUMBER:
00

- NOTES:**
- ALL STEEL TO BE GALVANIZED (GALV) OR STAINLESS STEEL (SS)
 - ALL ANGLES SHOWN ARE L2"x2"x3/16" (U/N/O)
 - ALL BOLTS SHOWN ARE 1/2"x2" LONG (U/N/O)
 - CONFIRM ALL DIMENSIONS SHOWN WITH MECH. DRAWINGS



1 FRONT ELEVATION - TANK #2
 S8 SCALE : 3/4"=1'-0"



PROJECT TITLE:
 RCMP "V" DIVISION OIL TANK REPLACEMENT
 SHEET TITLE:
 TANK #2 - ELEVATIONS
 PROJECT NUMBER:
 17-122-CG-39



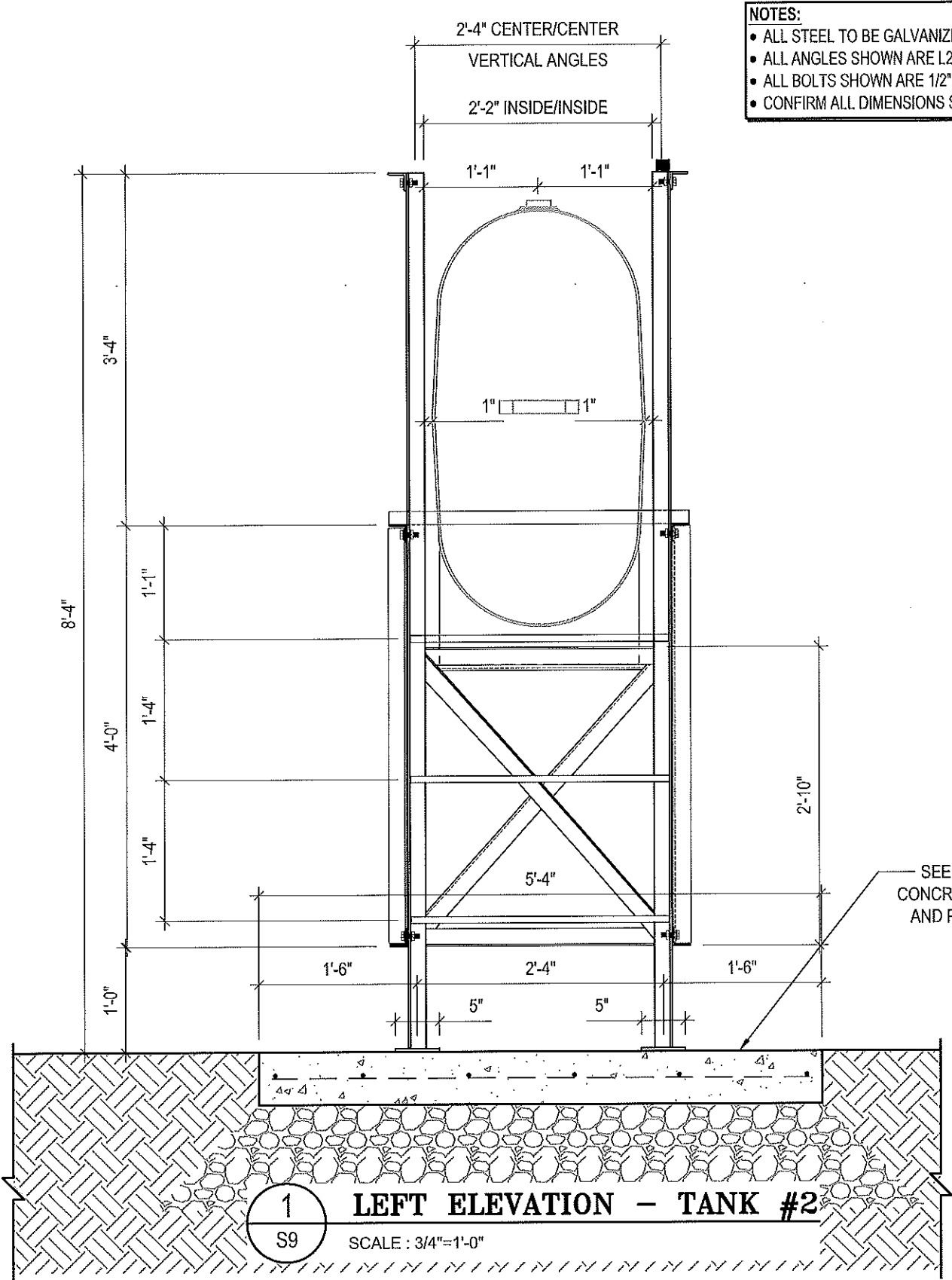
REV. #	REVISION	DATE (YY MM DD)	REV. BY
03	ISSUED FOR TENDER	17 06 12	RH
02	ISSUED FOR 99% REVIEW	17 05 30	RH
01	ISSUED FOR REVIEW	17 03 31	RH

REV. #	REVISION	DATE (YY MM DD)	REV. BY

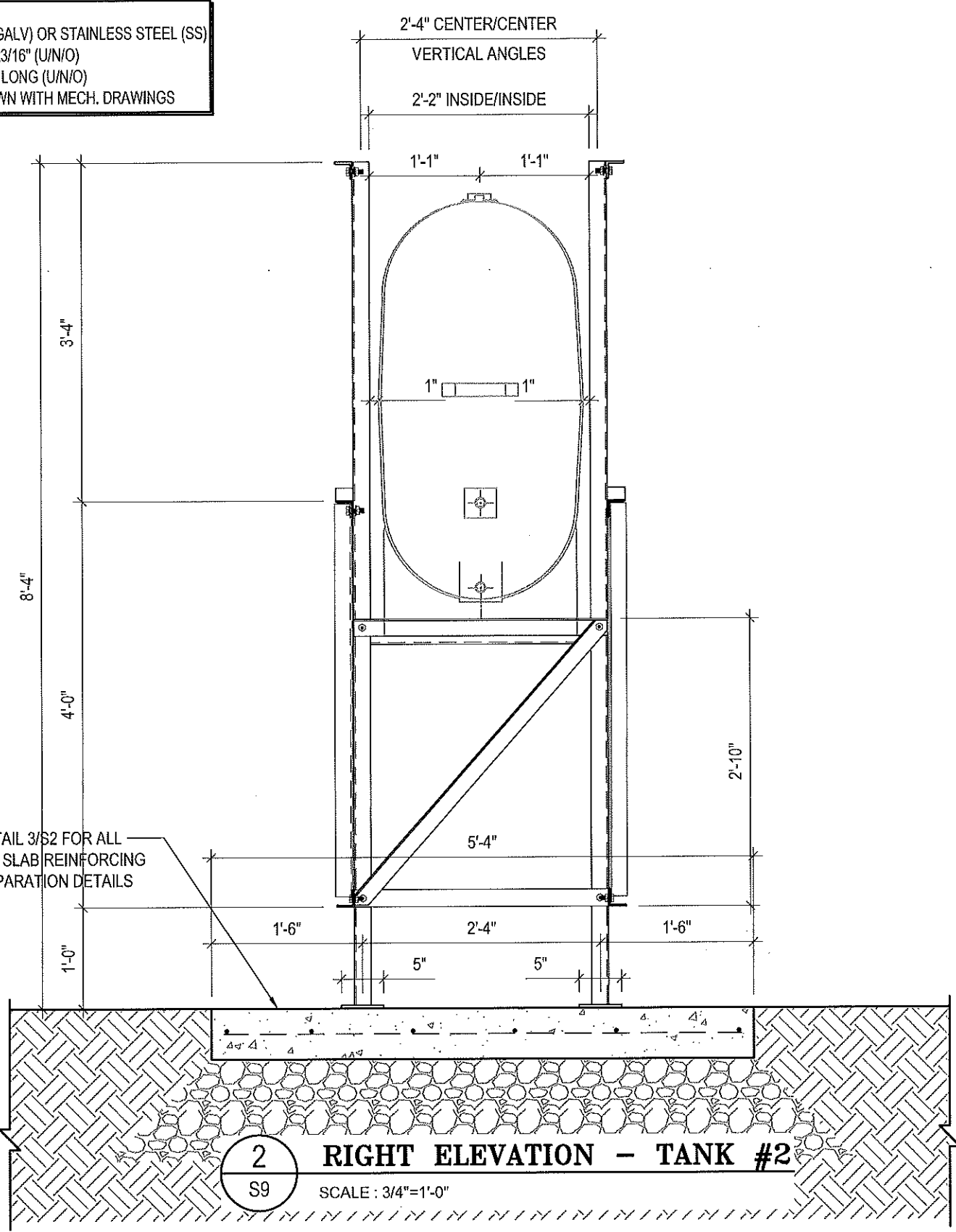
SCALE:
 AS NOTED
 DATE (YY MM DD):
 17 06 12

DRAWING NUMBER:
S8
 REVISION NUMBER:
 00

- NOTES:**
- ALL STEEL TO BE GALVANIZED (GALV) OR STAINLESS STEEL (SS)
 - ALL ANGLES SHOWN ARE L2"x2"x3/16" (U/N/O)
 - ALL BOLTS SHOWN ARE 1/2"Øx2" LONG (U/N/O)
 - CONFIRM ALL DIMENSIONS SHOWN WITH MECH. DRAWINGS



1 LEFT ELEVATION - TANK #2
S9 SCALE : 3/4"=1'-0"



2 RIGHT ELEVATION - TANK #2
S9 SCALE : 3/4"=1'-0"



PROJECT TITLE:
RCMP "V" DIVISION OIL TANK REPLACEMENT
SHEET TITLE:
TANK #2 - ELEVATIONS
PROJECT NUMBER:
17-122-CG-39

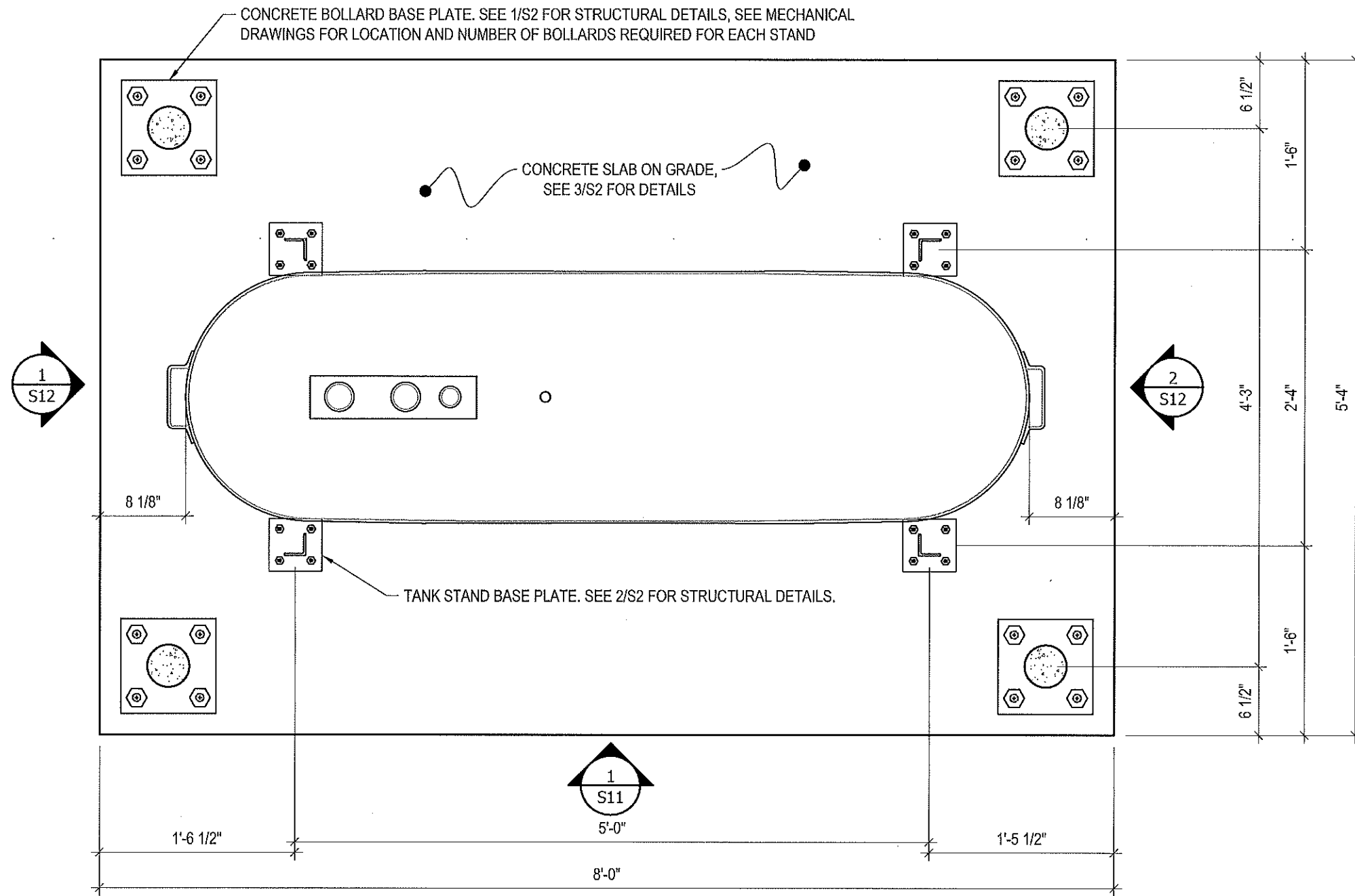


REV. #	REVISION	DATE (YY MM DD)	REV. BY
03	ISSUED FOR TENDER	17 06 12	RH
02	ISSUED FOR 99% REVIEW	17 05 30	RH
01	ISSUED FOR REVIEW	17 03 31	RH

REV. #	REVISION	DATE (YY MM DD)	REV. BY

SCALE:
AS NOTED
DATE (YY MM DD):
17 06 12

DRAWING NUMBER:
S9
REVISION NUMBER:
00



1 PLAN VIEW - TANK #3
 S10 SCALE: 1"=1'-0"



PROJECT TITLE:
RCMP "V" DIVISION OIL TANK REPLACEMENT

SHEET TITLE:
TANK #3 - PLAN VIEW

PROJECT NUMBER:
17-122-CG-39



REV. #	REVISION	DATE (YY MM DD)	REV. BY
03	ISSUED FOR TENDER	17 06 12	RH
02	ISSUED FOR 99% REVIEW	17 05 30	RH
01	ISSUED FOR REVIEW	17 03 31	RH

REV. #	REVISION	DATE (YY MM DD)	REV. BY

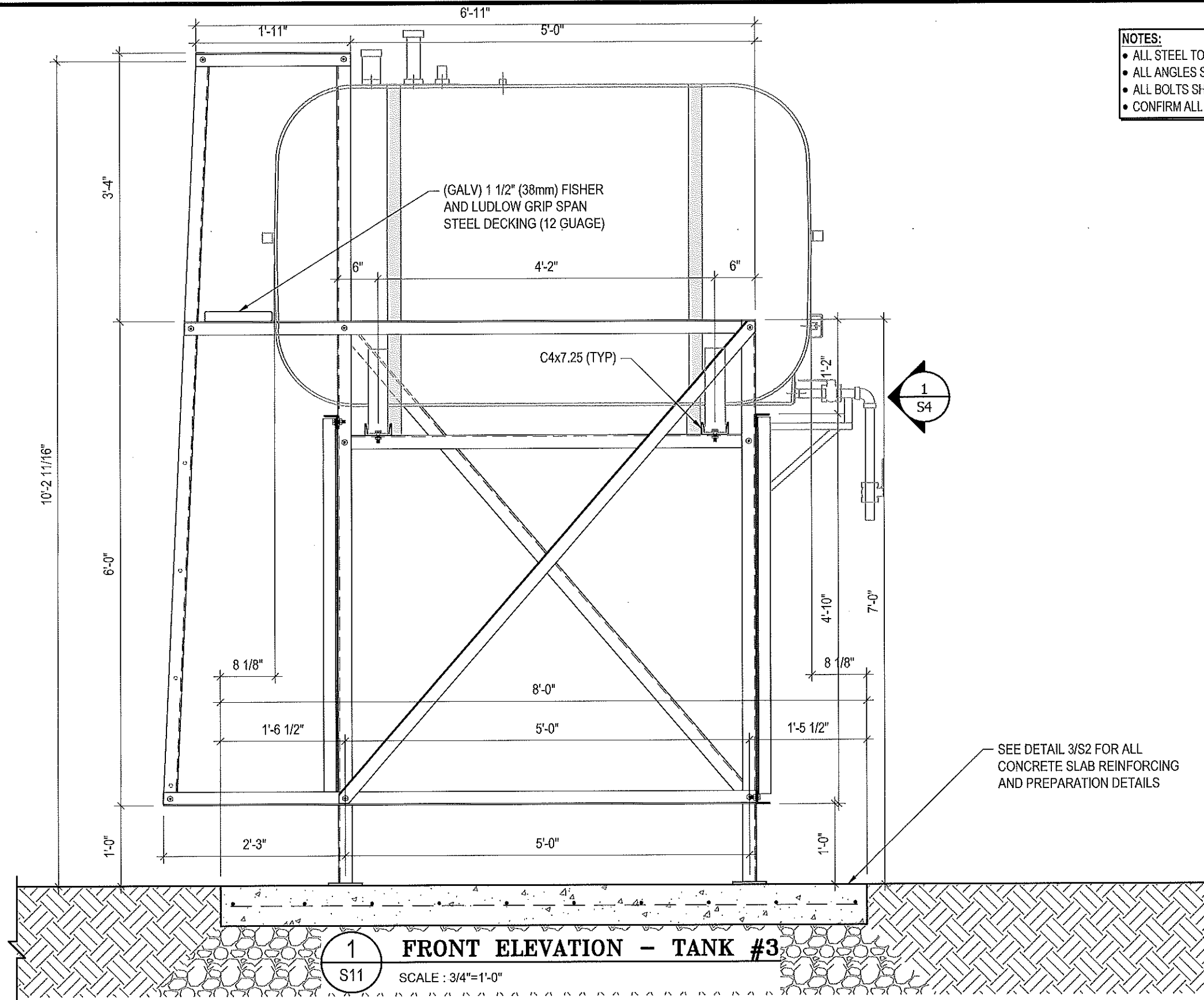
SCALE:
AS NOTED

DATE (YY MM DD):
17 06 12

DRAWING NUMBER:

S10

REVISION NUMBER:
00



- NOTES:**
- ALL STEEL TO BE GALVANIZED (GALV) OR STAINLESS STEEL (SS)
 - ALL ANGLES SHOWN ARE L2"x2"x3/16" (U/N/O)
 - ALL BOLTS SHOWN ARE 1/2"x2" LONG (U/N/O)
 - CONFIRM ALL DIMENSIONS SHOWN WITH MECH. DRAWINGS



PROJECT TITLE:
RCMP "V" DIVISION OIL TANK REPLACEMENT

SHEET TITLE:
TANK #3 - ELEVATIONS

PROJECT NUMBER:
17-122-CG-39

Beach Rocke
ENGINEERING LTD.
Professional Engineering Services
1050 St. Mary's Road, Winnipeg, Manitoba R2M 3S9
Telephone: (204) 255 7251 Fax: (204) 259 7239
Website: www.beachrocke.ca

REV. #	REVISION	DATE (YY MM DD)	REV. BY
03	ISSUED FOR TENDER	17 06 12	RH
02	ISSUED FOR 99% REVIEW	17 05 30	RH
01	ISSUED FOR REVIEW	17 03 31	RH

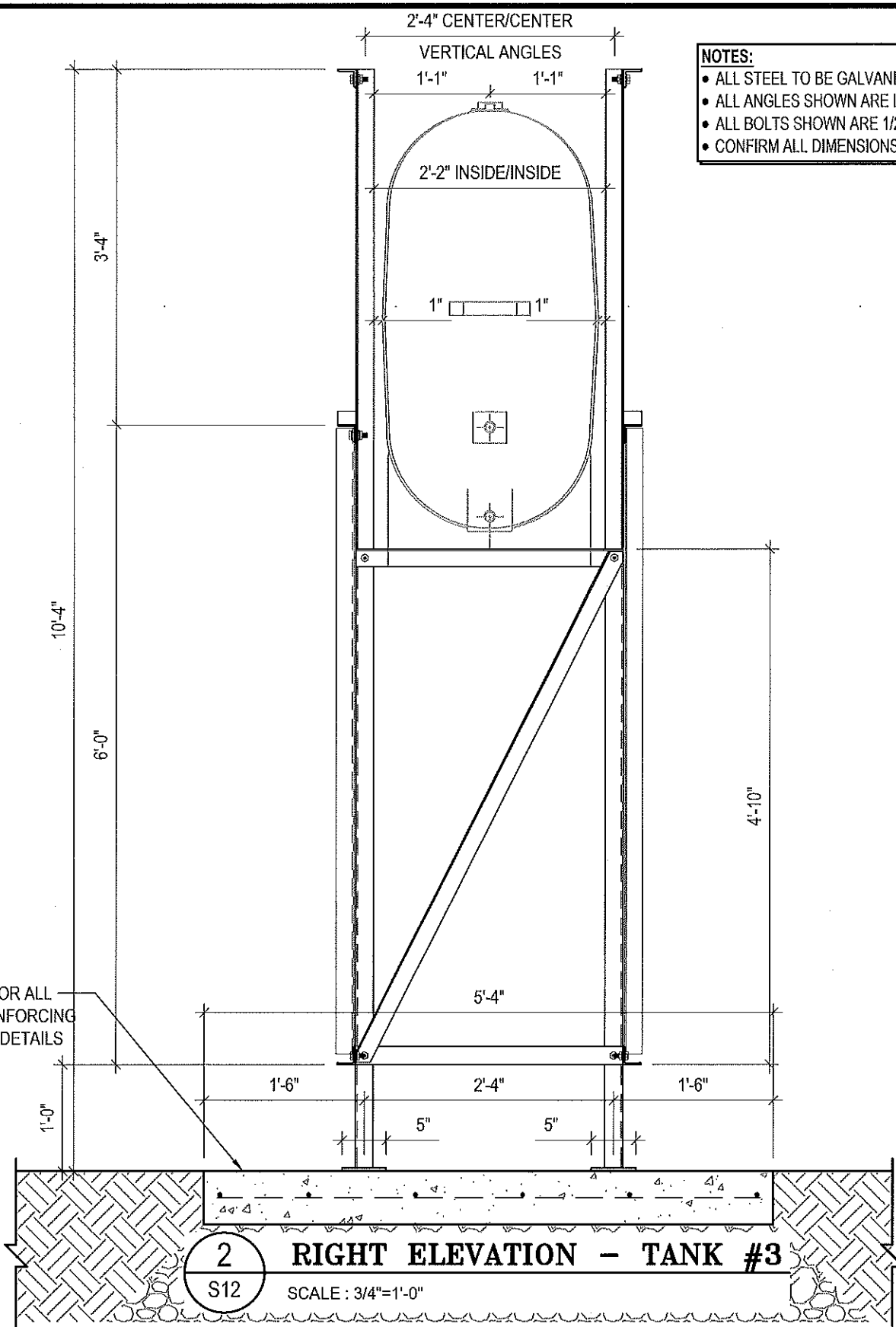
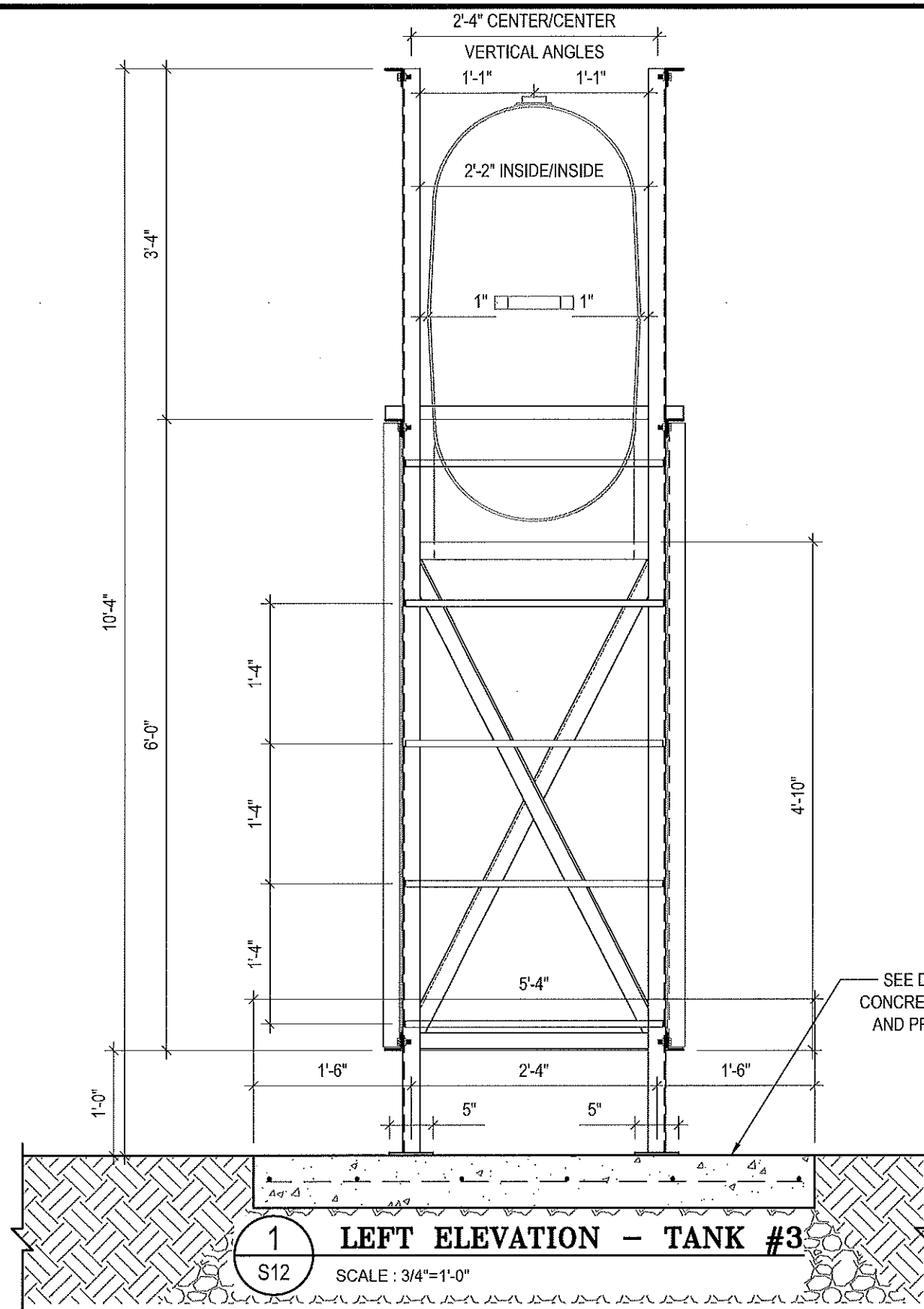
REV. #	REVISION	DATE (YY MM DD)	REV. BY

SCALE:
AS NOTED

DATE (YY MM DD):
17 06 12

DRAWING NUMBER:
S11

REVISION NUMBER:
00



NOTES:

- ALL STEEL TO BE GALVANIZED (GALV) OR STAINLESS STEEL (SS)
- ALL ANGLES SHOWN ARE L2"x2"x3/16" (U/N/O)
- ALL BOLTS SHOWN ARE 1/2"Øx2" LONG (U/N/O)
- CONFIRM ALL DIMENSIONS SHOWN WITH MECH. DRAWINGS



PROJECT TITLE:
RCMP "V" DIVISION OIL TANK REPLACEMENT

SHEET TITLE:
TANK #3 - ELEVATIONS

PROJECT NUMBER:
17-122-CG-39



REV. #	REVISION	DATE (YY MM DD)	REV. BY
03	ISSUED FOR TENDER	17 06 12	RH
02	ISSUED FOR 99% REVIEW	17 05 30	RH
01	ISSUED FOR REVIEW	17 03 31	RH

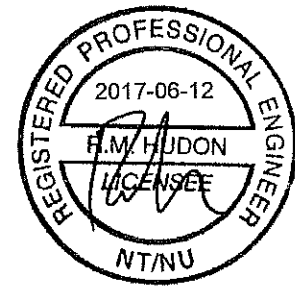
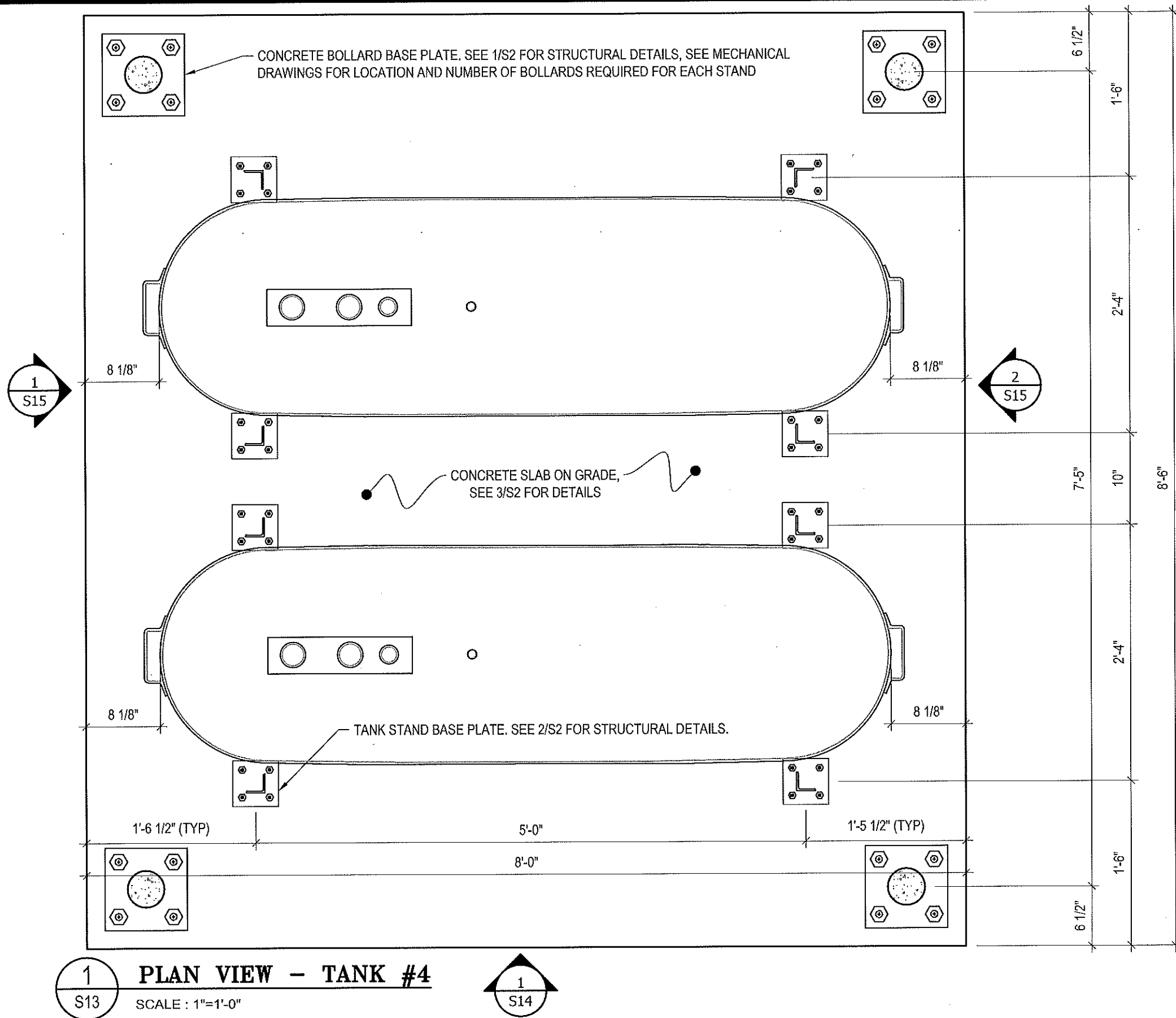
REV. #	REVISION	DATE (YY MM DD)	REV. BY

SCALE:
AS NOTED

DATE (YY MM DD):
17 06 12

DRAWING NUMBER:
S12

REVISION NUMBER:
00



PROJECT TITLE:
RCMP "V" DIVISION OIL TANK REPLACEMENT

SHEET TITLE:
TANK #4 - PLAN VIEW

PROJECT NUMBER:
17-122-CG-39



REV. #	REVISION	DATE (YY MM DD)	REV. BY
03	ISSUED FOR TENDER	17 06 12	RH
02	ISSUED FOR 99% REVIEW	17 05 30	RH
01	ISSUED FOR REVIEW	17 03 31	RH

REV. #	REVISION	DATE (YY MM DD)	REV. BY

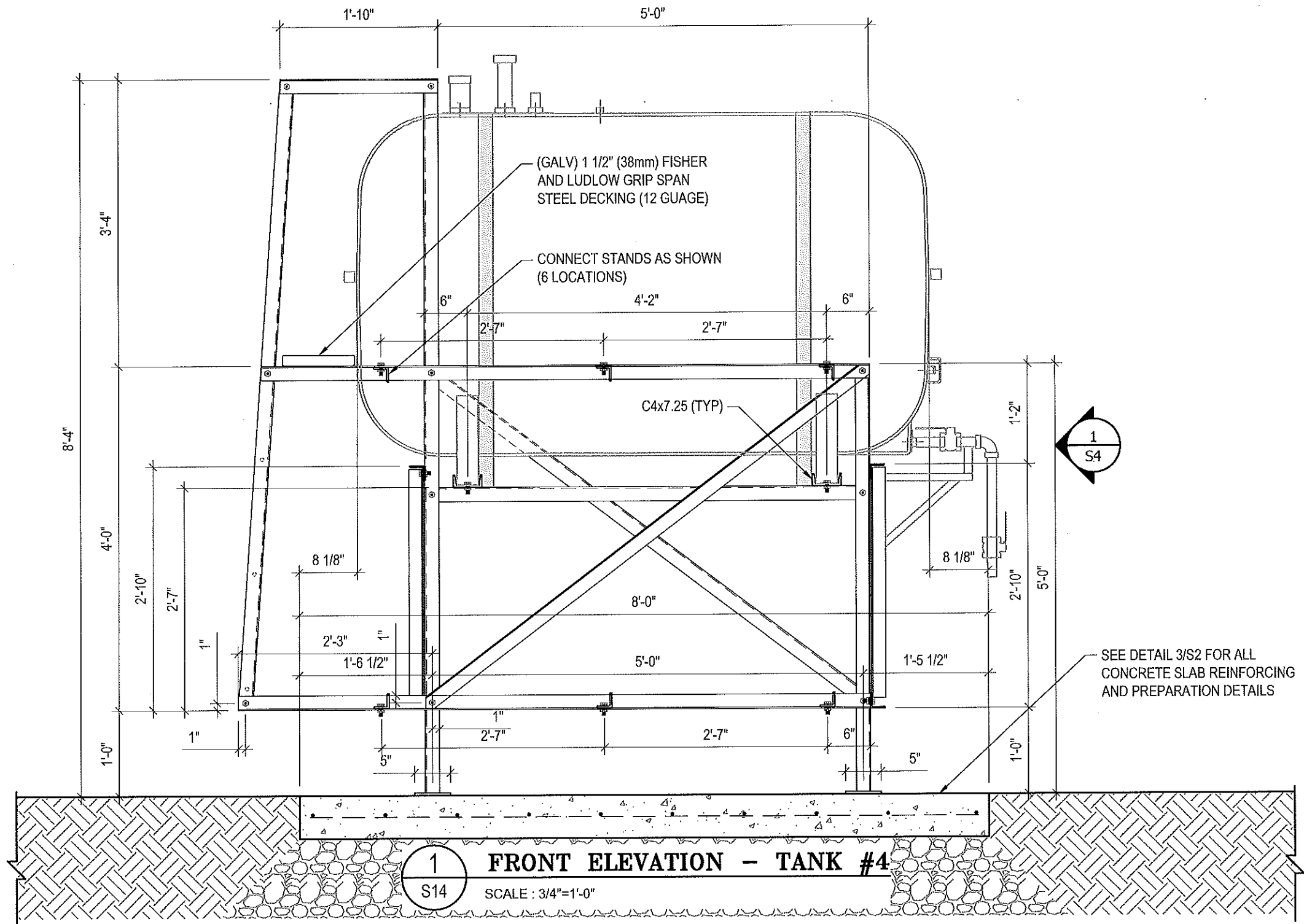
SCALE:
AS NOTED

DATE (YY MM DD):
17 06 12

DRAWING NUMBER:
S13

REVISION NUMBER:
00

- NOTES:**
- ALL STEEL TO BE GALVANIZED (GALV) OR STAINLESS STEEL (SS)
 - ALL ANGLES SHOWN ARE L2"x2"x3/16" (U/N/O)
 - ALL BOLTS SHOWN ARE 1/2"x2" LONG (U/N/O)
 - CONFIRM ALL DIMENSIONS SHOWN WITH MECH. DRAWINGS



PROJECT TITLE:
RCMP "V" DIVISION OIL TANK REPLACEMENT

SHEET TITLE:
TANK #4 - ELEVATIONS

PROJECT NUMBER:
17-122-CG-39

Beach Rocke
ENGINEERING LTD.
Professional Engineering Services
1050 St. Mary's Road, Windsor, Ontario N2M 3S5
Telephone: (519) 253-2281 Fax: (519) 253-2239
Website: www.beachrocke.ca

REV. #	REVISION	DATE (YY MM DD)	REV. BY
03	ISSUED FOR TENDER	17 06 12	RH
02	ISSUED FOR 99% REVIEW	17 05 30	RH
01	ISSUED FOR REVIEW	17 03 31	RH

REV. #	REVISION	DATE (YY MM DD)	REV. BY

SCALE:
AS NOTED

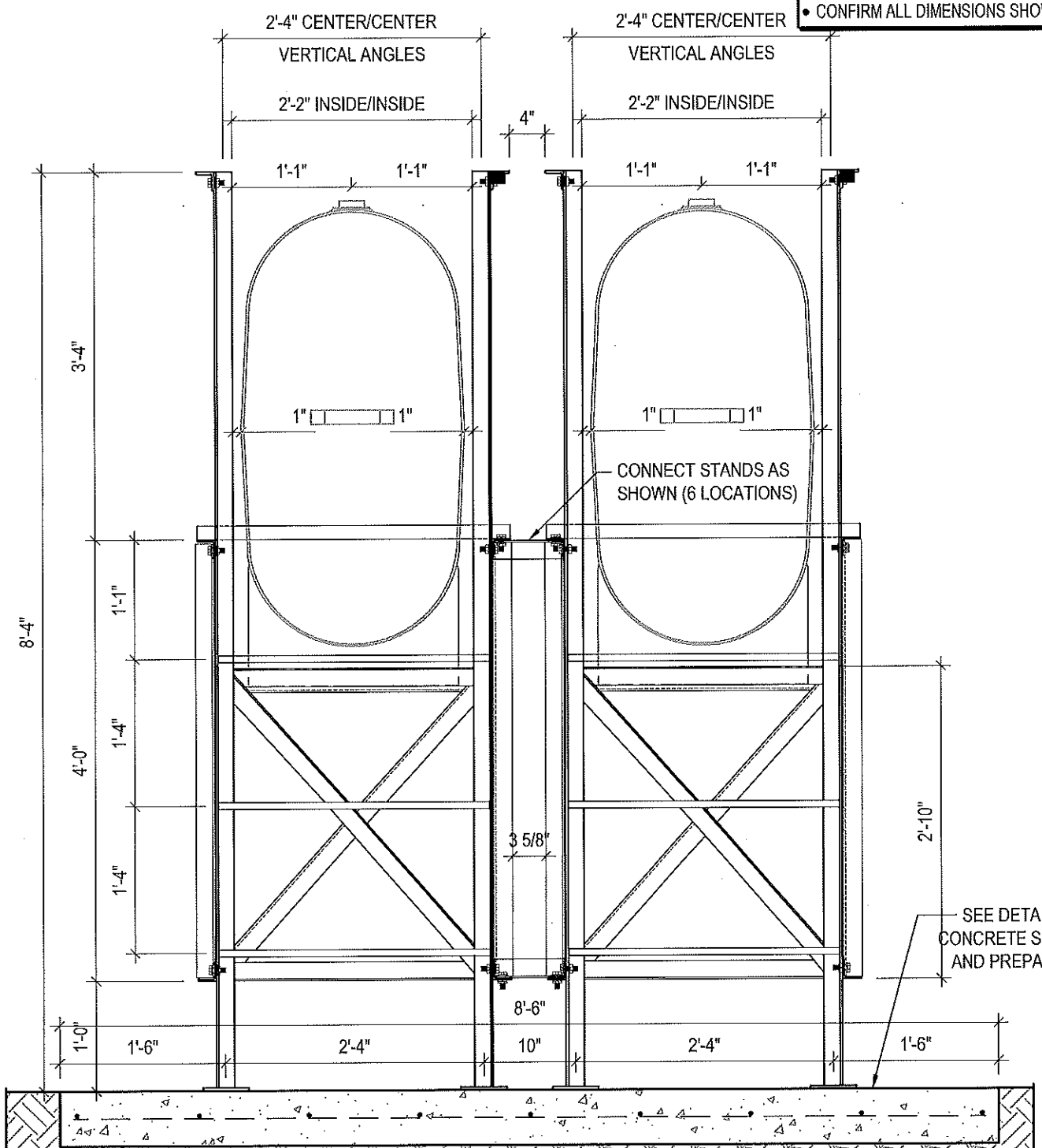
DATE (YY MM DD):
17 06 12

DRAWING NUMBER:
S14

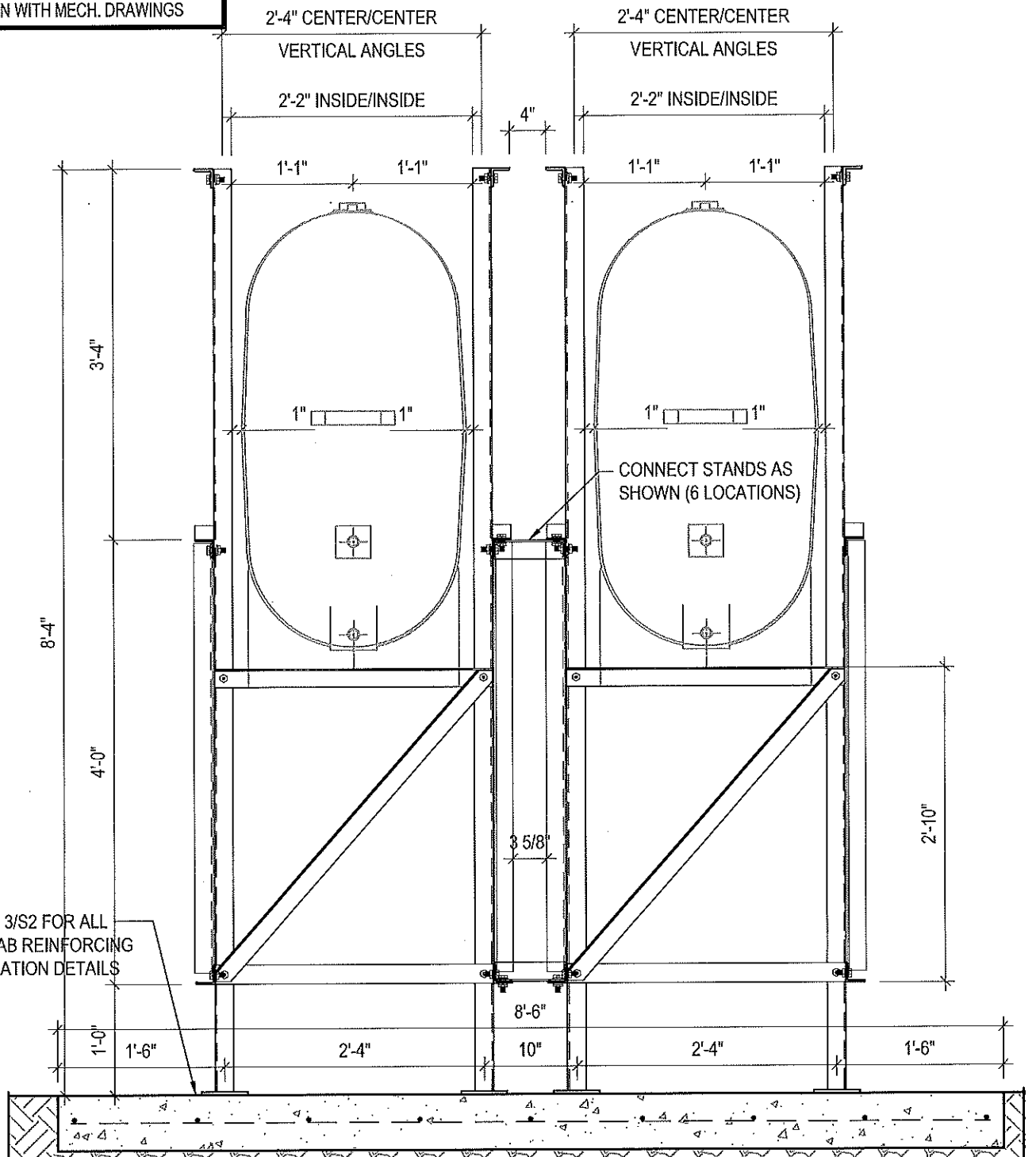
REVISION NUMBER:
00

NOTES:

- ALL STEEL TO BE GALVANIZED (GALV) OR STAINLESS STEEL (SS)
- ALL ANGLES SHOWN ARE L2"x2"x3/16" (U/N/O)
- ALL BOLTS SHOWN ARE 1/2"Øx2" LONG (U/N/O)
- CONFIRM ALL DIMENSIONS SHOWN WITH MECH. DRAWINGS



1 LEFT ELEVATION - TANK #4
S15 SCALE: 3/4"=1'-0"



2 RIGHT ELEVATION - TANK #4
S15 SCALE: 3/4"=1'-0"



PROJECT TITLE:
RCMP "V" DIVISION OIL TANK REPLACEMENT

SHEET TITLE:
TANK #4 - ELEVATIONS

PROJECT NUMBER:
17-122-CG-39



REV. #	REVISION	DATE (YY MM DD)	REV. BY
03	ISSUED FOR TENDER	17 06 12	RH
02	ISSUED FOR 99% REVIEW	17 05 30	RH
01	ISSUED FOR REVIEW	17 03 31	RH

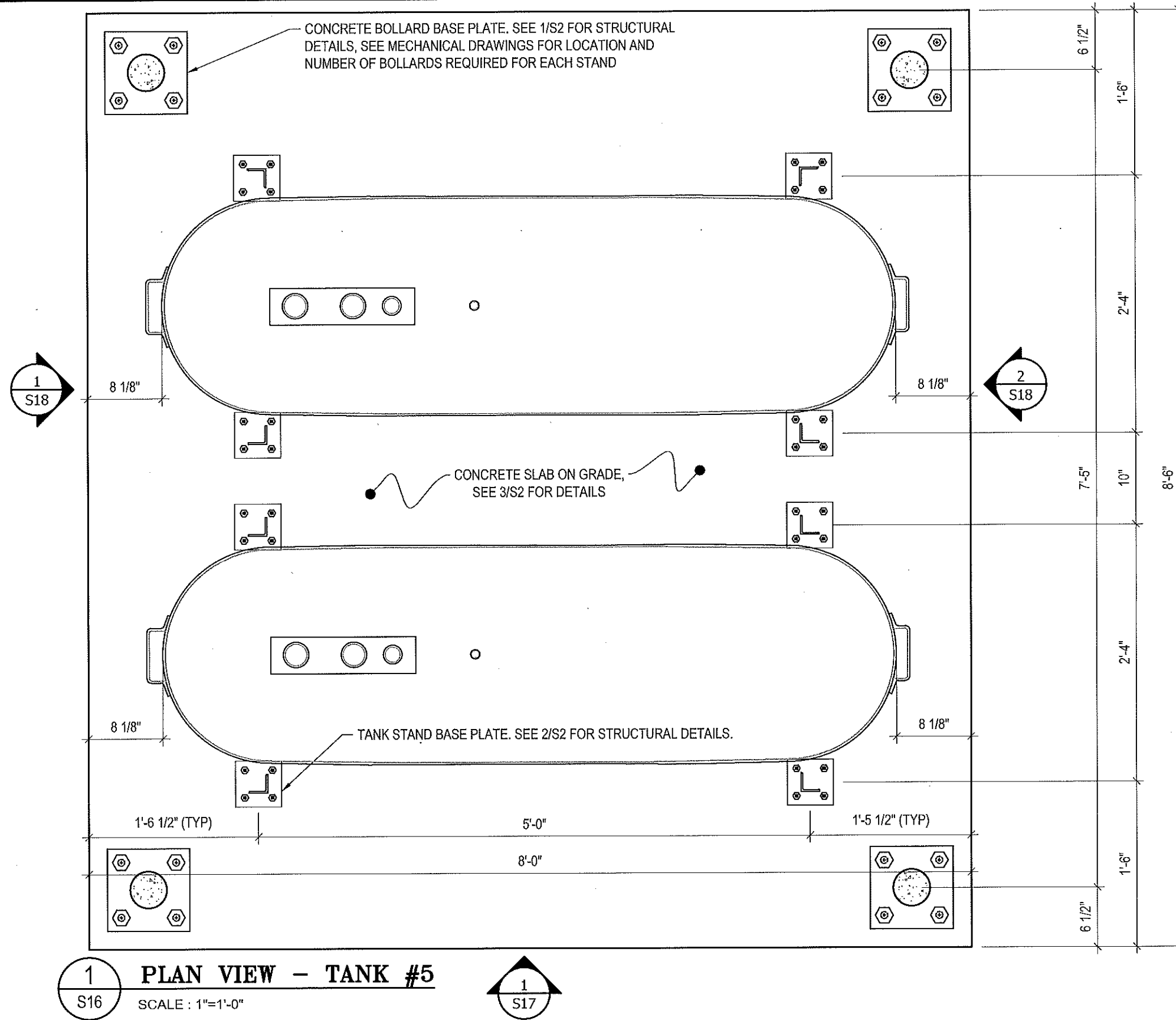
REV. #	REVISION	DATE (YY MM DD)	REV. BY

SCALE:
AS NOTED

DATE (YY MM DD):
17 06 12

DRAWING NUMBER:
S15

REVISION NUMBER:
00



1 PLAN VIEW - TANK #5
 S16 SCALE : 1"=1'-0"



PROJECT TITLE:
 RCMP "V" DIVISION OIL TANK REPLACEMENT
 SHEET TITLE:
 TANK #5 - PLAN VIEW
 PROJECT NUMBER:
 17-122-CG-39

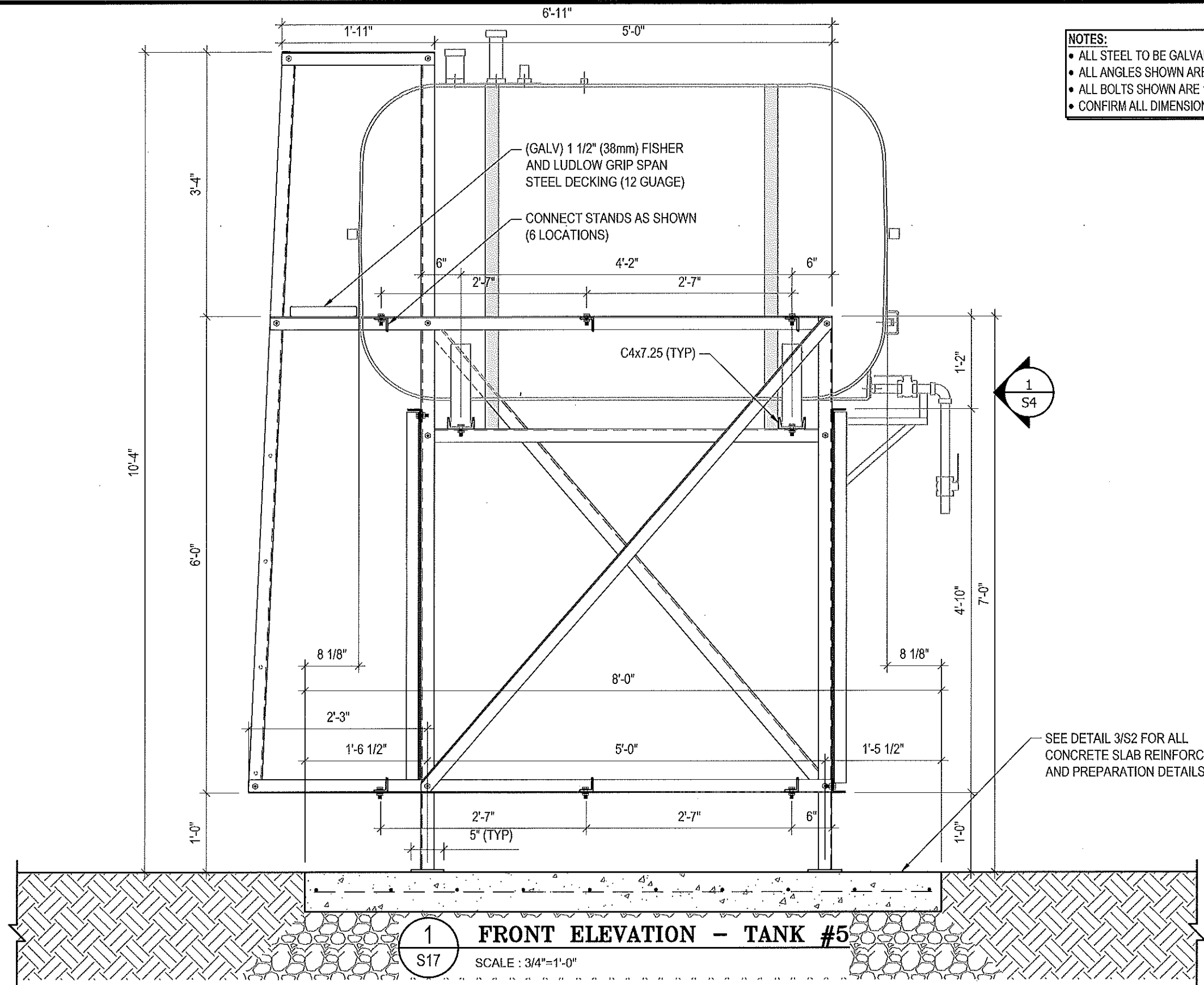
Beach Rocke
 ENGINEERING LTD.
 Professional Engineering Services
 1000 St. Mary's Road, Winnipeg, Manitoba R2M 3S9
 Telephone: (204) 255 7251 Fax: (204) 257 7238
 Website: www.beachrocke.ca

REV. #	REVISION	DATE (YY MM DD)	REV. BY
03	ISSUED FOR TENDER	17 06 12	RH
02	ISSUED FOR 99% REVIEW	17 05 30	RH
01	ISSUED FOR REVIEW	17 03 31	RH

REV. #	REVISION	DATE (YY MM DD)	REV. BY

SCALE:
 AS NOTED
 DATE (YY MM DD):
 17 06 12

DRAWING NUMBER:
S16
 REVISION NUMBER:
 00



- NOTES:**
- ALL STEEL TO BE GALVANIZED (GALV) OR STAINLESS STEEL (SS)
 - ALL ANGLES SHOWN ARE L2"x2"x3/16" (U/N/O)
 - ALL BOLTS SHOWN ARE 1/2"Øx2" LONG (U/N/O)
 - CONFIRM ALL DIMENSIONS SHOWN WITH MECH. DRAWINGS



PROJECT TITLE:
RCMP "V" DIVISION OIL TANK REPLACEMENT

SHEET TITLE:
TANK #5 - ELEVATIONS

PROJECT NUMBER:
17-122-CG-39



REV. #	REVISION	DATE (YY MM DD)	REV. BY
03	ISSUED FOR TENDER	17 06 12	RH
02	ISSUED FOR 99% REVIEW	17 05 30	RH
01	ISSUED FOR REVIEW	17 03 31	RH

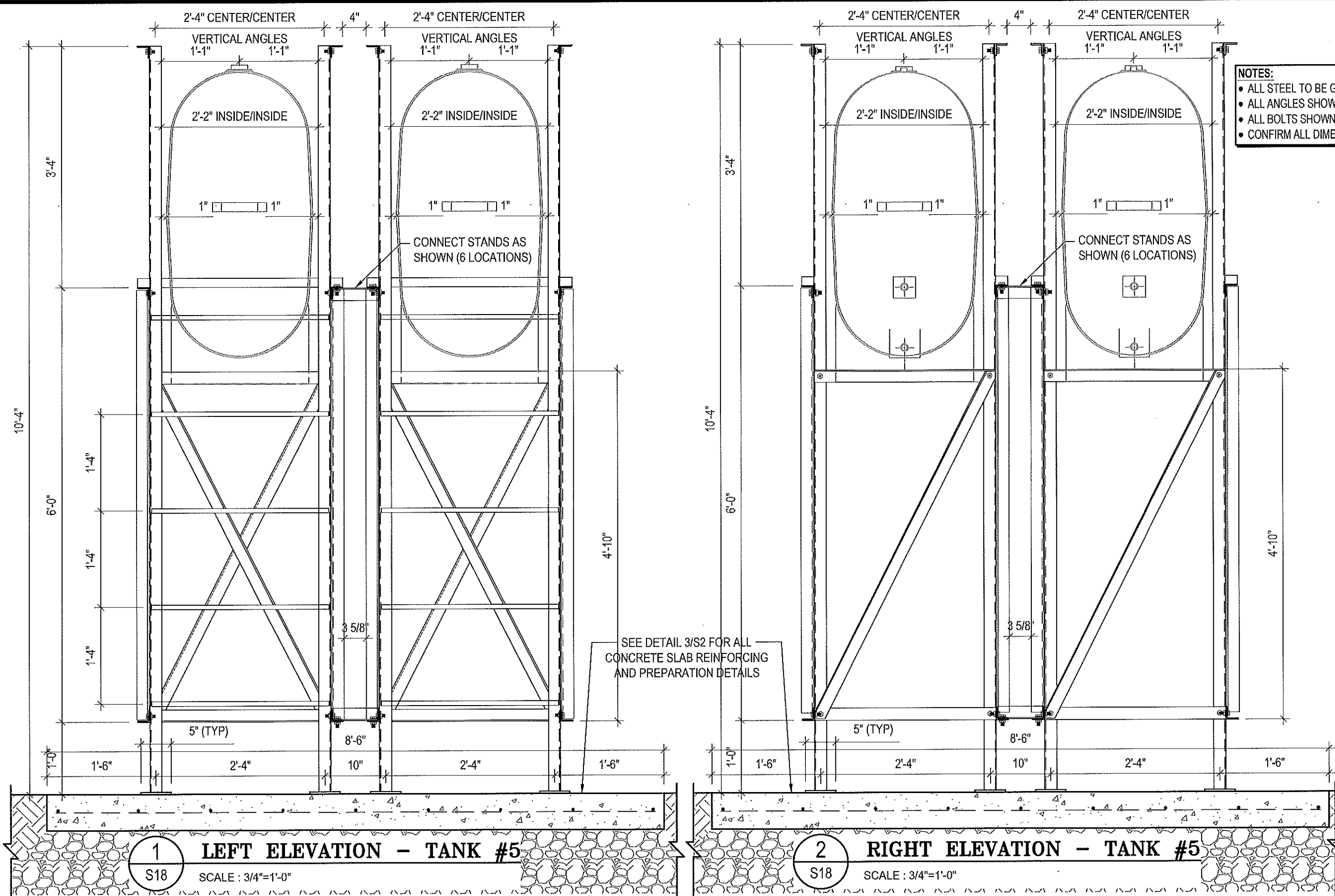
REV. #	REVISION	DATE (YY MM DD)	REV. BY

SCALE:
AS NOTED

DATE (YY MM DD):
17 06 12

DRAWING NUMBER:
S17

REVISION NUMBER:
00



- NOTES:**
- ALL STEEL TO BE GALVANIZED (GALV) OR STAINLESS STEEL (SS)
 - ALL ANGLES SHOWN ARE L2"x2"x3/16" (U/N/O)
 - ALL BOLTS SHOWN ARE 1/2"Øx2" LONG (U/N/O)
 - CONFIRM ALL DIMENSIONS SHOWN WITH MECH. DRAWINGS

1 LEFT ELEVATION - TANK #5
S18 SCALE: 3/4"=1'-0"

2 RIGHT ELEVATION - TANK #5
S18 SCALE: 3/4"=1'-0"



PROJECT TITLE:
RCMP "V" DIVISION OIL TANK REPLACEMENT
SHEET TITLE:
TANK #5 - ELEVATIONS
PROJECT NUMBER:
17-122-CG-39



REV. #	REVISION	DATE (YY MM DD)	REV. BY
03	ISSUED FOR TENDER	17 06 12	RH
02	ISSUED FOR 99% REVIEW	17 05 30	RH
01	ISSUED FOR REVIEW	17 03 31	RH

REV. #	REVISION	DATE (YY MM DD)	REV. BY

SCALE:
AS NOTED
DATE (YY MM DD):
17 06 12

DRAWING NUMBER:
S18
REVISION NUMBER:
00

FUEL TANK REPAIR AND REPLACEMENT PROJECT

CLYDE RIVER, NUNAVUT

DRAWING LIST:

V095 - RESIDENCE

M1.0 DEMOLITION PLAN
M1.1 CONSTRUCTION PLAN
M2.0 TANK ELEVATIONS
M2.1 2" FUEL LINE SUPPORT DETAIL
M3.0 SCHEMATIC

V116 - GARAGE

M1.0 DEMOLITION AND CONSTRUCTION PLAN
M2.0 TANK ELEVATIONS
M2.1 PIPE SUPPORT DETAILS
M3.0 SCHEMATIC

V118 - FITNESS BUILDING/GENERATOR

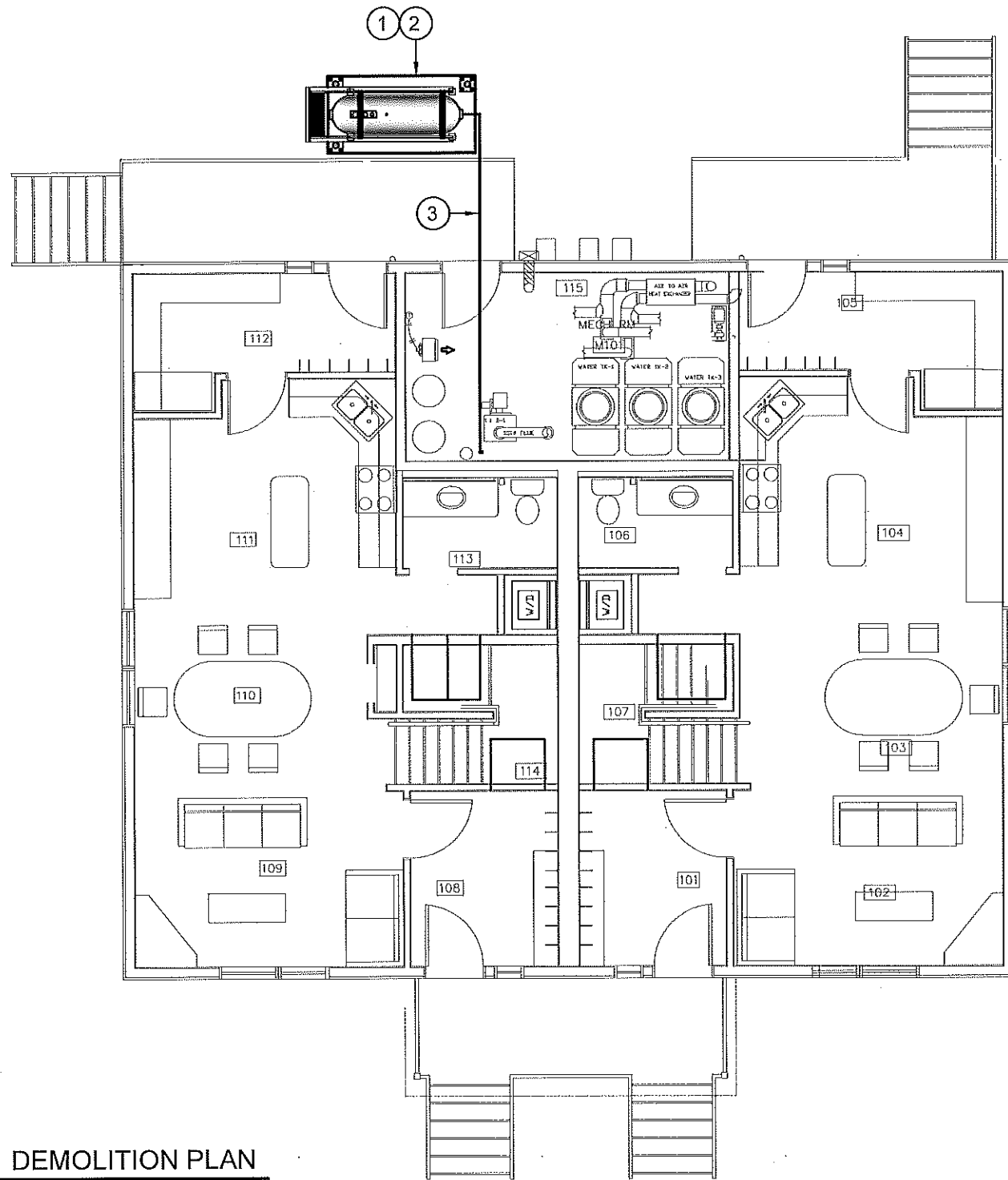
M1.0 DEMOLITION PLAN
M1.1 CONSTRUCTION PLAN
M2.0 TANK ELEVATIONS
M2.1 2" FUEL LINE SUPPORT DETAIL DOUBLE TANK
M2.2 2" FUEL LINE SUPPORT DETAILS
M3.0 SCHEMATIC
M3.1 SCHEMATIC - TANK DETAILS

V119 - FACILITY BUILDING

M1.0 DEMOLITION PLAN
M1.1 CONSTRUCTION PLAN
M2.0 TANK ELEVATIONS
M2.1 2" FUEL LINE SUPPORT DETAIL
M3.0 SCHEMATIC
M3.1 SCHEMATIC

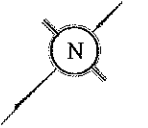
STRUCTURAL DRAWING LIST

S1 STRUCTURAL PROJECT NOTES
S2 TYP TANK SLAB, BOLLARD AND BASE PLATE DETAILS AND ISOMETRIC VIEW OF METAL STAND
S3 CONNECTION #1 DETAILS
S4 CONNECTION #2 DETAILS
S5 TANK #1 - PLAN VIEW OF TANK ON SLAB
S6 TANK #1 - PLAN VIEW OF TANK ON SLAB
S7 TANK #2 - PLAN VIEW OF TANK ON LOW METAL STAND
S8 TANK #2 - ELEVATIONS OF LOW METAL STAND
S9 TANK #2 - ELEVATIONS OF LOW METAL STAND
S10 TANK #3 - PLAN VIEW OF TANK ON HIGH METAL STAND
S11 TANK #3 - ELEVATIONS OF HIGH METAL STAND
S12 TANK #3 - ELEVATIONS OF HIGH METAL STAND
S13 TANK #4 - PLAN VIEW OF TANK ON LOW DOUBLE METAL STAND
S14 TANK #4 - ELEVATIONS OF LOW DOUBLE METAL STAND
S15 TANK #4 - ELEVATIONS OF LOW DOUBLE METAL STAND
S16 TANK #5 - PLAN VIEW OF TANK ON HIGH DOUBLE METAL STAND
S17 TANK #5 - ELEVATIONS OF HIGH DOUBLE METAL STAND
S18 TANK #5 - ELEVATIONS OF HIGH DOUBLE METAL STAND



DEMOLITION NOTES: #

1. REMOVE ALL FUEL FROM THE TANK AND DISPOSE OF AS PER LOCAL REGULATIONS.
2. REMOVE EXISTING OIL TANK, STAND AND PAD DISPOSE OF AS PER LOCAL REGULATIONS.
3. REMOVE ALL PIPING UNDER DUPLEX TO EXISTING BOILER.



01 DEMOLITION PLAN
M1.0 SCALE: 1/8"=1'-0"



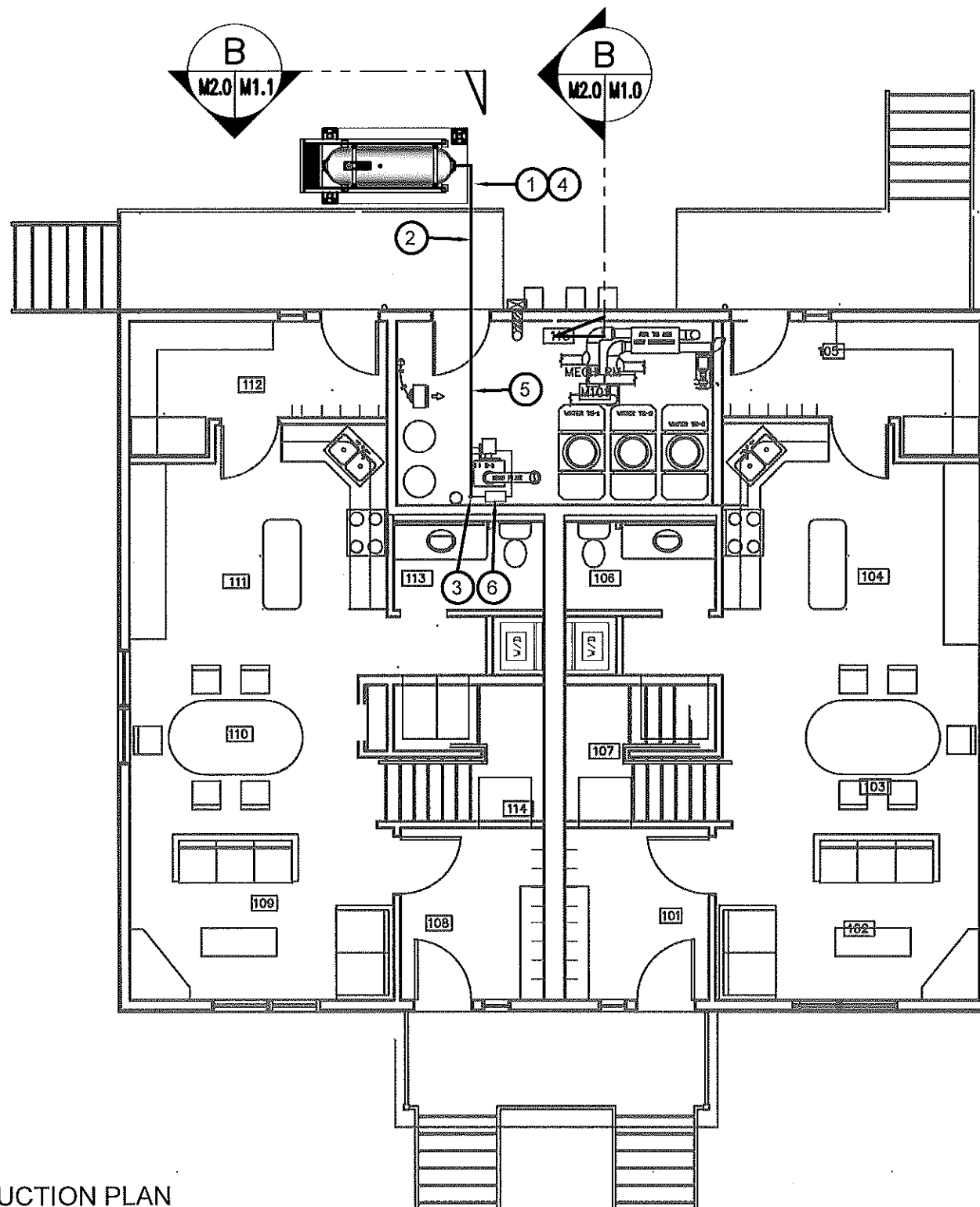
PROJECT TITLE:
RCMP "V" DIVISION OIL TANK REPLACEMENT - CLYDE RIVER
V095 - DUPLEX RESIDENCE, CLYDE RIVER
SHEET TITLE:
DEMOLITION PLAN
PROJECT NUMBER:
16-028-14-30

00	ISSUED FOR TENDER	17 06 09	JLS
REV. #	REVISION	DATE (YY MM DD)	REV. BY

REV. #	REVISION	DATE (YY MM DD)	REV. BY
--------	----------	-----------------	---------

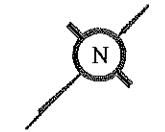
SCALE:
AS NOTED
DATE (YY MM DD):
17 03 03

DRAWING NUMBER:
M1.0
REVISION NUMBER:
00

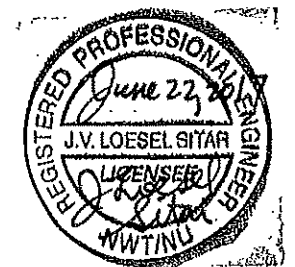


CONSTRUCTION NOTES: #

1. INSTALL NEW OIL TANK, STAND AND CONCRETE PAD. SEE SHEET M2.0
2. INSTALL NEW PIPING SUPPORT AS PER SHEET M2.1. INSTALL PIPE HANGERS AS REQUIRED TO SUPPORT PIPING UNDER DUPLEX
3. CAULK ENTRY INTO BUILDING.
4. INSTALL NEW OIL TANK #3 - SEE STRUCTURAL FOR DETAILS.
5. INSTALL NEW 2" DIA SCH 40 PIPE AND HANGERS AS PER SPECIFICATION
6. INSTALL NEW WARMING PIPE, FUEL FILTER, FUSIBLE LINK, TIGER LOOP AND DRIP TRAYS.



01 CONSTRUCTION PLAN
M1.1 SCALE: 1/8"=1'-0"



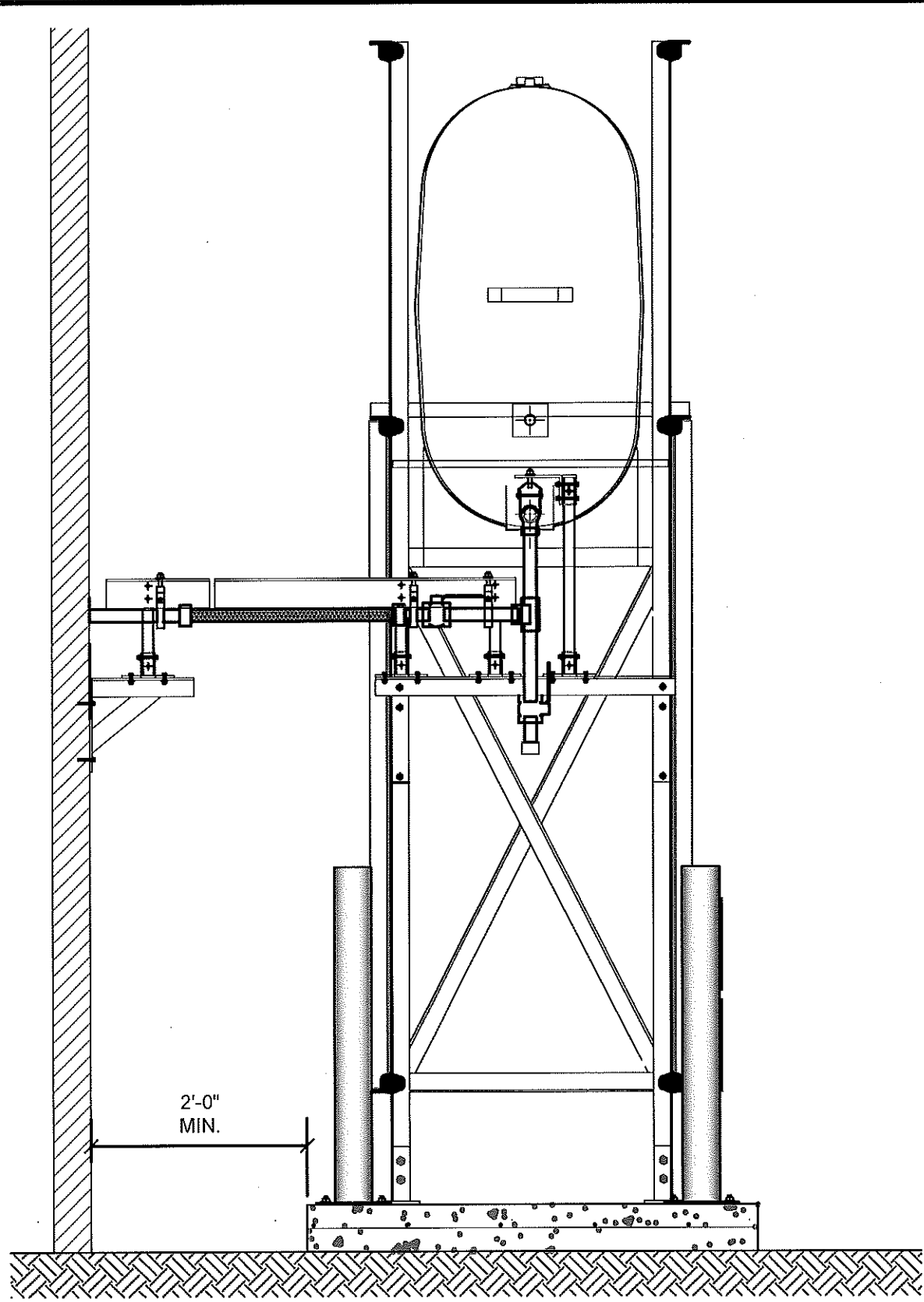
PROJECT TITLE:
RCMP "V" DIVISION OIL TANK REPLACEMENT - CLYDE RIVER
V095 - DUPLEX RESIDENCE, CLYDE RIVER
SHEET TITLE:
CONSTRUCTION PLAN
PROJECT NUMBER:
16-028-14-30

00	ISSUED FOR TENDER	17 06 09	JLS
REV. #	REVISION	DATE (YY MM DD)	REV. BY

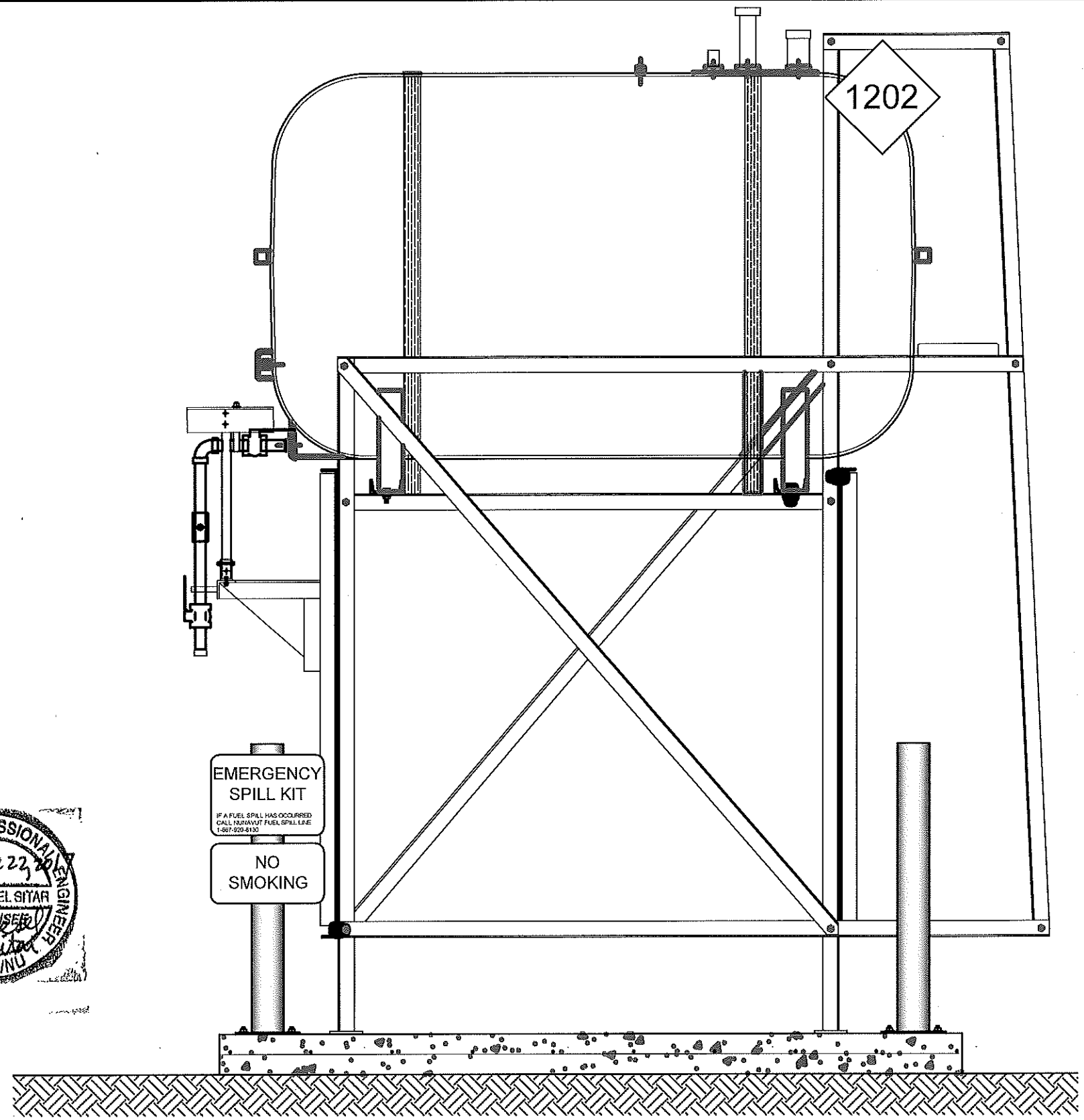
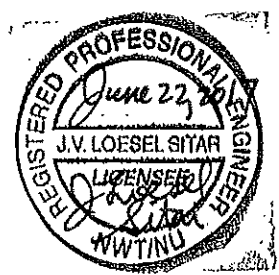
REV. #	REVISION	DATE (YY MM DD)	REV. BY
--------	----------	-----------------	---------

SCALE:
AS NOTED
DATE (YY MM DD):
17 03 03

DRAWING NUMBER:
M1.1
REVISION NUMBER:
00



01 OIL TANK ELEVATION - A
M2.0 SCALE: 3/4"-1'-0"



02 OIL TANK ELEVATION - B
M2.0 SCALE: 3/4"-1'-0"



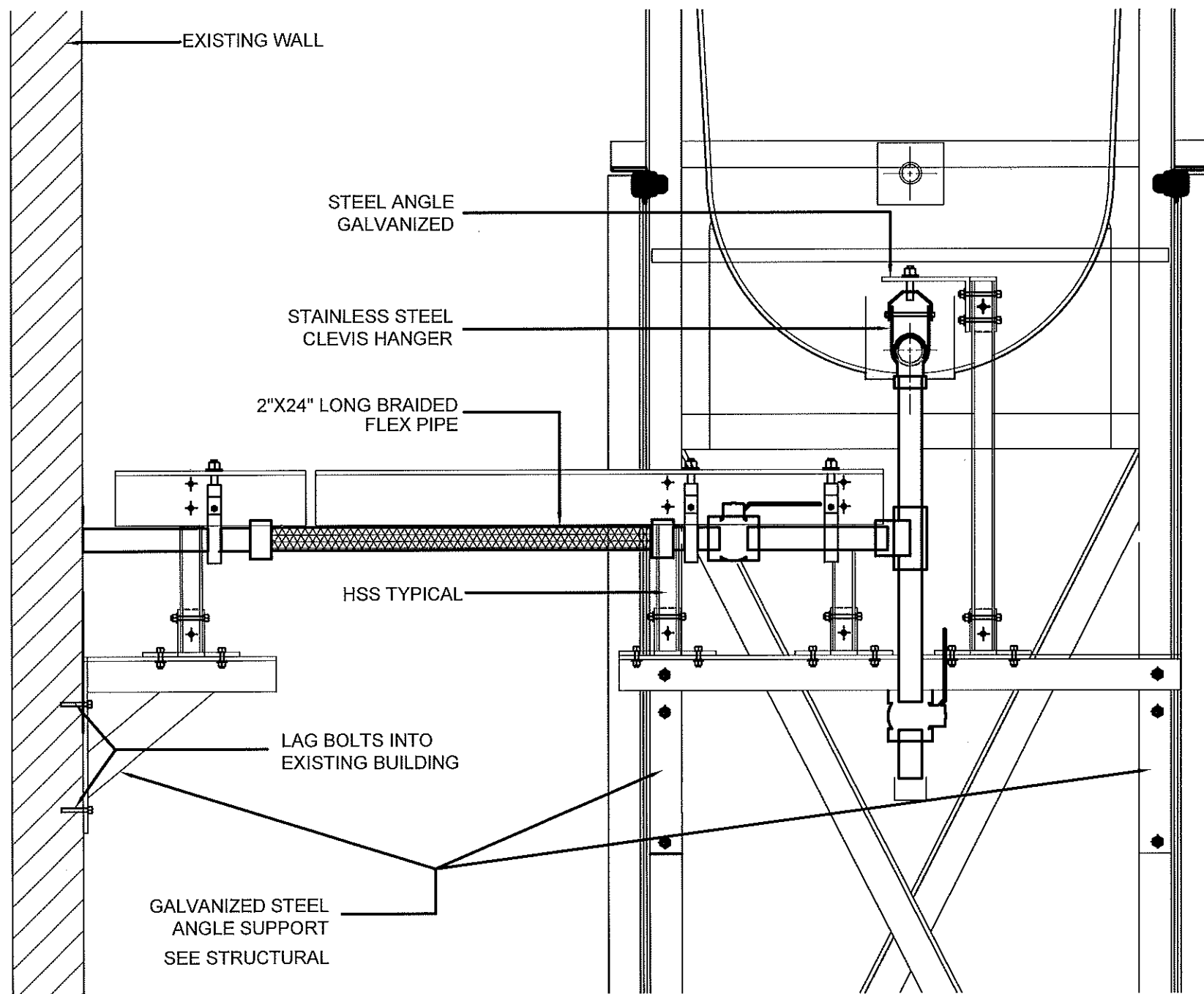
PROJECT TITLE:
RCMP "V" DIVISION OIL TANK REPLACEMENT - CLYDE RIVER
V095 - DUPLEX RESIDENCE, CLYDE RIVER
SHEET TITLE:
TANK ELEVATIONS
PROJECT NUMBER:
16-028-14-30

00	ISSUED FOR TENDER	17 06 09	JLS
REV. #	REVISION	DATE (YY MM DD)	REV. BY

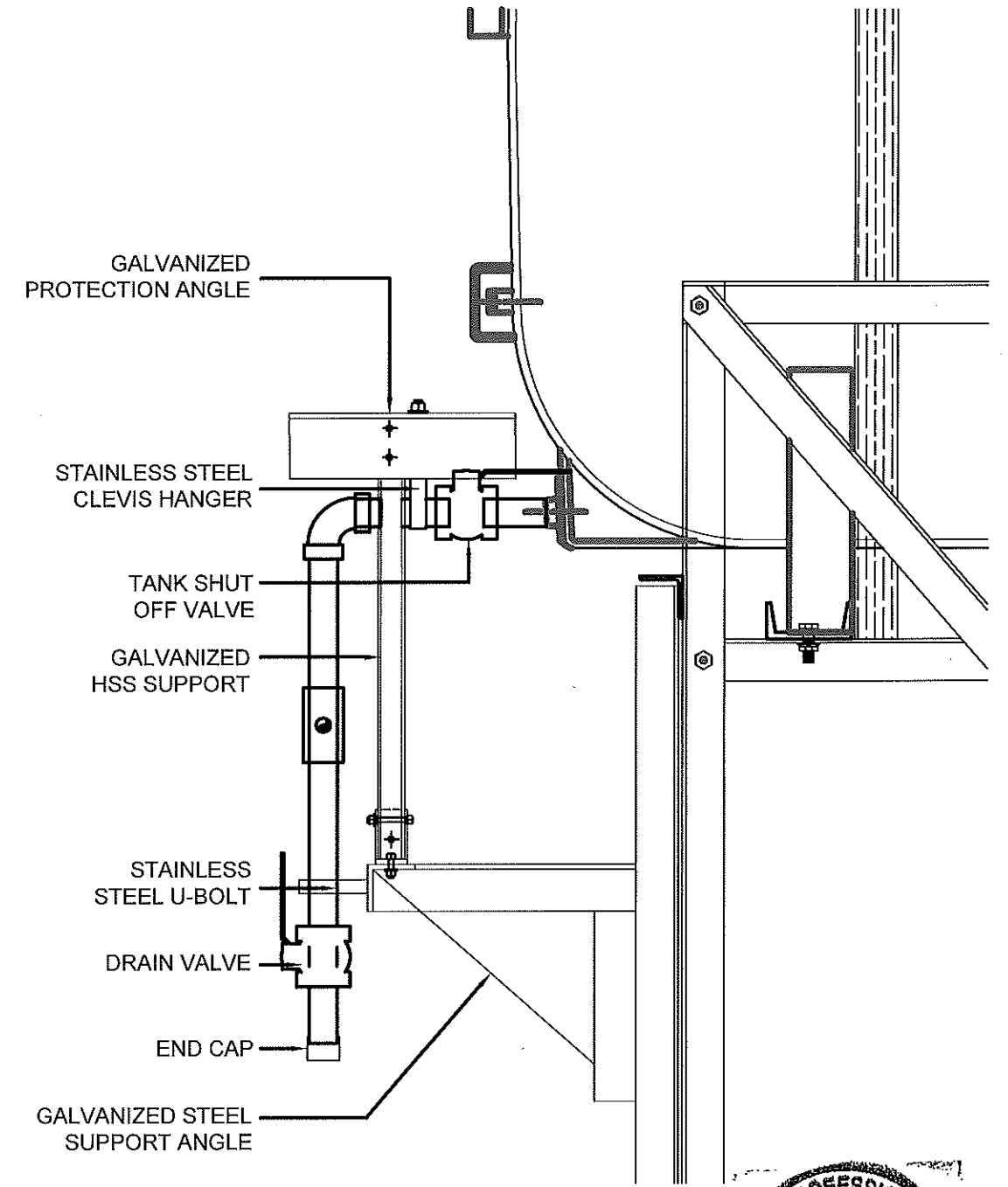
REV. #	REVISION	DATE (YY MM DD)	REV. BY
--------	----------	-----------------	---------

SCALE:
AS NOTED
DATE (YY MM DD):
17 03 03

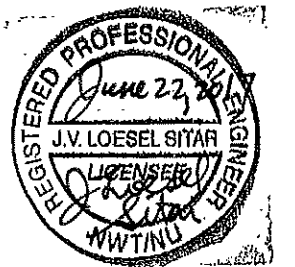
DRAWING NUMBER:
M2.0
REVISION NUMBER:
00



01 FRONT VIEW
M2.1 SCALE: 1 1/2"-1'-0"



02 SIDE VIEW
M2.1 SCALE: 1 1/2"-1'-0"



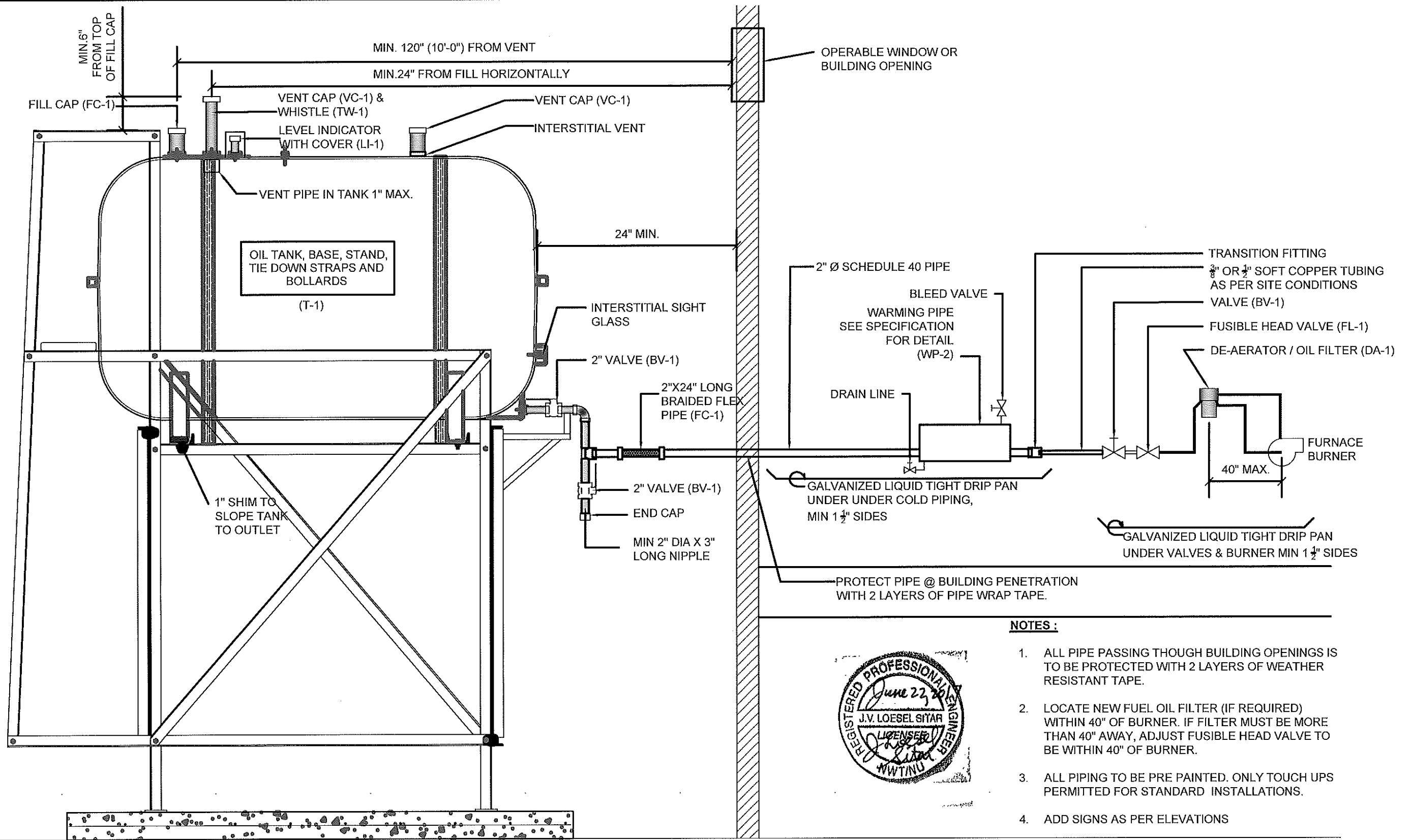
PROJECT TITLE:
RCMP "V" DIVISION OIL TANK REPLACEMENT - CLYDE RIVER
V095 - DUPLEX RESIDENCE, CLYDE RIVER
SHEET TITLE:
2" FUEL LINE SUPPORT DETAIL
PROJECT NUMBER:
16-028-14-30

00	ISSUED FOR TENDER	17 06 09	JLS
REV. #	REVISION	DATE (YY MM DD)	REV. BY

REV. #	REVISION	DATE (YY MM DD)	REV. BY
--------	----------	-----------------	---------

SCALE:
AS NOTED
DATE (YY MM DD):
17 03 03

DRAWING NUMBER:
M2.1
REVISION NUMBER:
00



NOTES :

1. ALL PIPE PASSING THOUGH BUILDING OPENINGS IS TO BE PROTECTED WITH 2 LAYERS OF WEATHER RESISTANT TAPE.
2. LOCATE NEW FUEL OIL FILTER (IF REQUIRED) WITHIN 40" OF BURNER. IF FILTER MUST BE MORE THAN 40" AWAY, ADJUST FUSIBLE HEAD VALVE TO BE WITHIN 40" OF BURNER.
3. ALL PIPING TO BE PRE PAINTED. ONLY TOUCH UPS PERMITTED FOR STANDARD INSTALLATIONS.
4. ADD SIGNS AS PER ELEVATIONS



01 SCHEMATIC - TANK, PIPING & ACCESSORIES : ON STAND
M3.0 SCALE: NTS



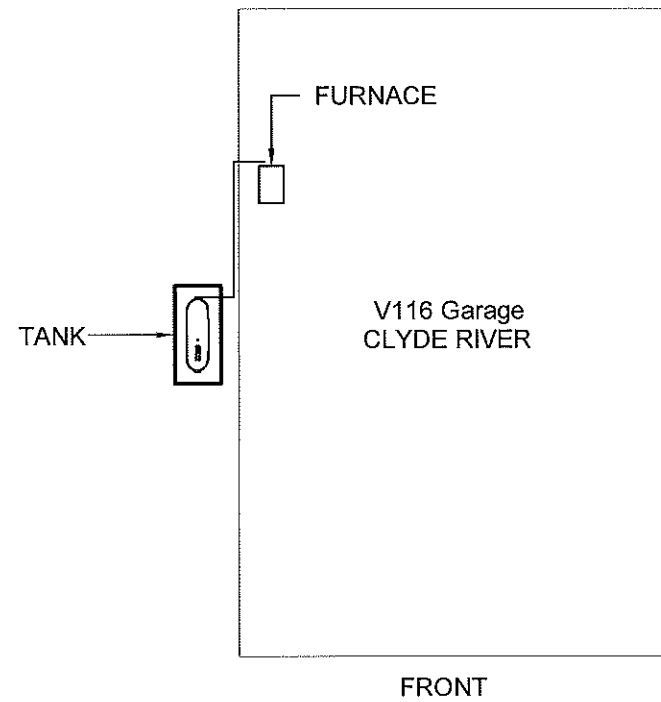
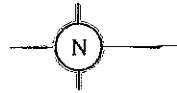
PROJECT TITLE:
RCMP "V" DIVISION OIL TANK REPLACEMENT - CLYDE RIVER
V095 - DUPLEX RESIDENCE, CLYDE RIVER
SHEET TITLE:
SCHEMATIC
PROJECT NUMBER:
16-028-14-30

00 ISSUED FOR TENDER 17 06 09 JLS
REV. # | REVISION | DATE (YY MM DD) | REV. BY

REV. # | REVISION | DATE (YY MM DD) | REV. BY

SCALE:
AS NOTED
DATE (YY MM DD):
17 06 09

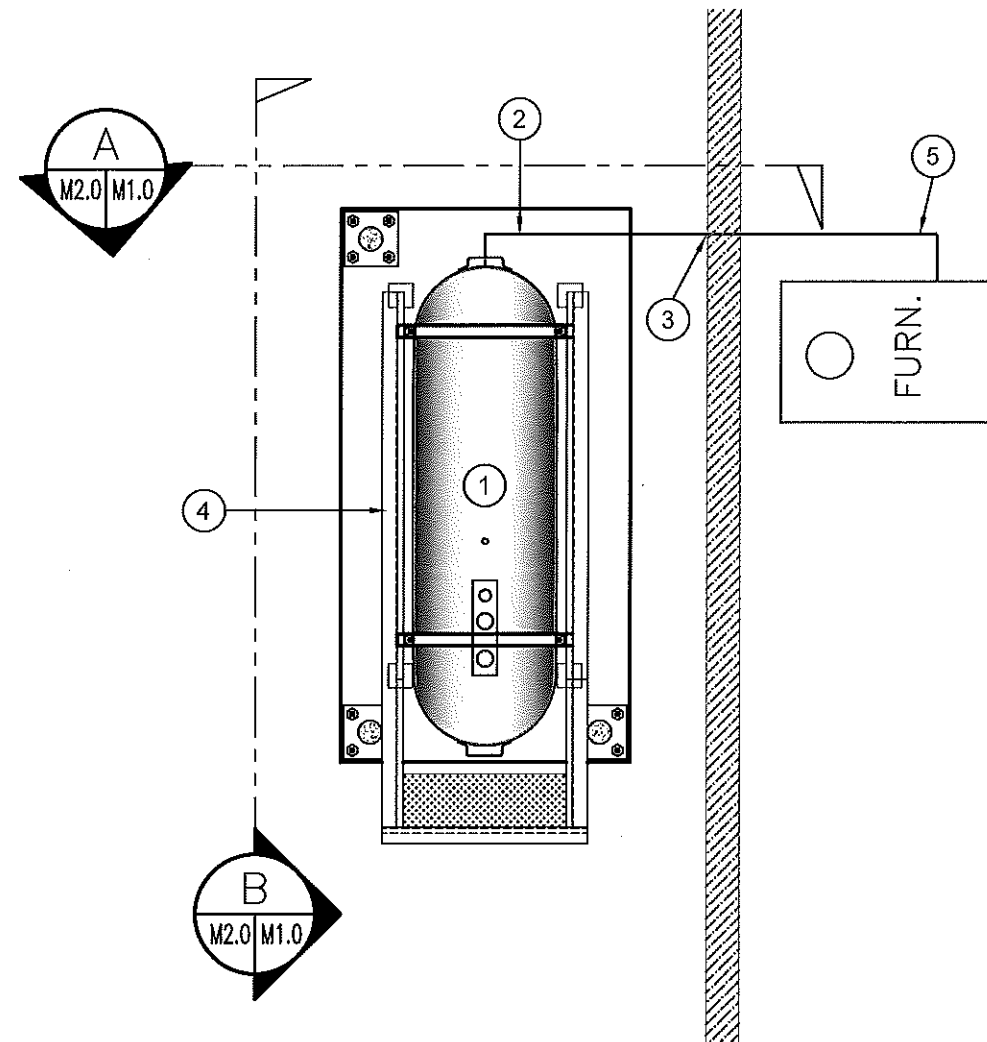
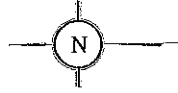
DRAWING NUMBER:
M3.0
REVISION NUMBER:
00



01 **DEMOLITION PLAN**
M1.0 SCALE: NTS

DEMOLITION NOTES:

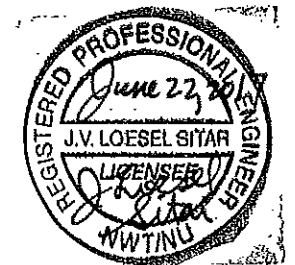
1. REMOVE ALL FUEL FROM THE TANK AND DISPOSE OF AS PER LOCAL REGULATIONS.
2. REMOVE EXISTING ROTH 1000L OIL TANK AND PAD DISPOSE OF AS PER LOCAL REGULATIONS.



02 **CONSTRUCTION PLAN**
M1.0 SCALE: NTS

CONSTRUCTION NOTES: #

1. INSTALL NEW OIL TANK AND CONCRETE PAD. SEE SHEET M2.0
2. INSTALL NEW PIPING SUPPORT AS PER SHEET M2.0.
3. CAULK ENTRY INTO BUILDING.
4. INSTALL NEW OIL TANK STAND #2 SEE STRUCTURAL FOR DETAILS
5. INSTALL NEW PIPING, FUSIBLE LINK, TIGER/LOOP DE-AERATOR AND VALVES TO EXISTING BURNER.



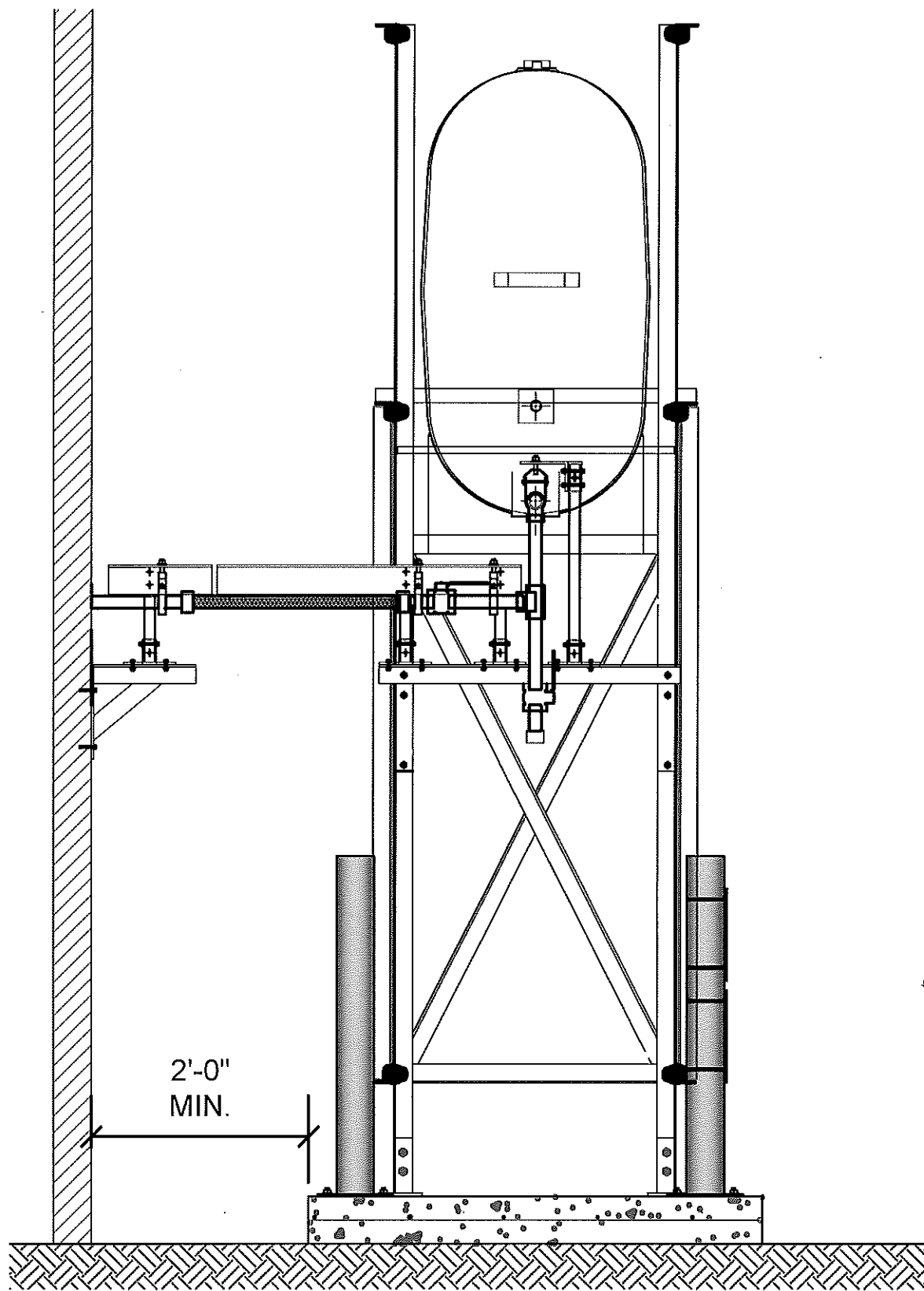
PROJECT TITLE:
RCMP "V" DIVISION OIL TANK REPLACEMENT - CLYDE RIVER
V116 - GARAGE, CLYDE RIVER
SHEET TITLE:
DEMOLITION AND CONSTRUCTION PLAN
PROJECT NUMBER:
16-028-14-30

00	ISSUED FOR TENDER	17 06 09	JLS
REV. #	REVISION	DATE (YY MM DD)	REV. BY

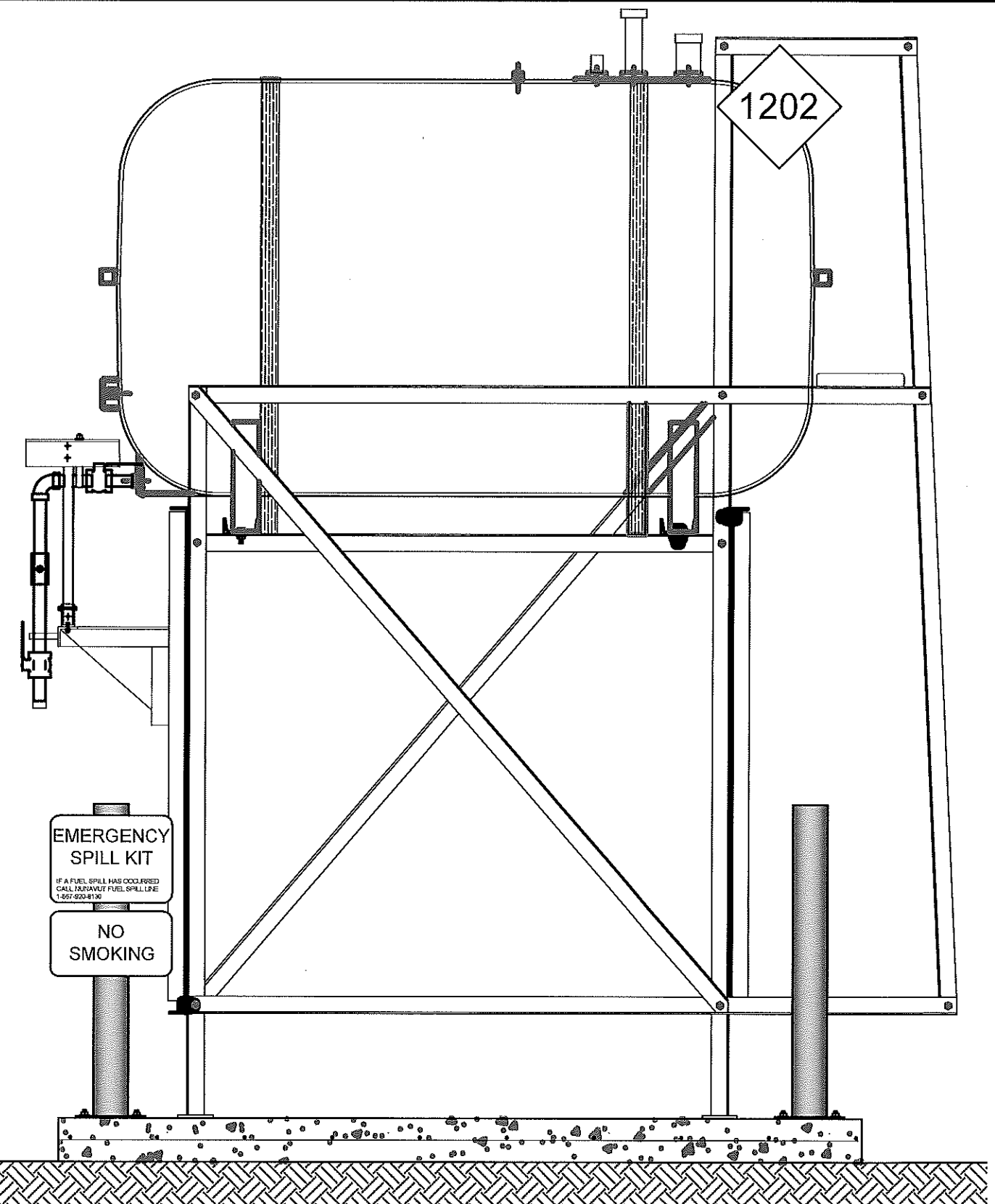
REV. #	REVISION	DATE (YY MM DD)	REV. BY
--------	----------	-----------------	---------

SCALE:
AS NOTED
DATE (YY MM DD):
17 03 01

DRAWING NUMBER:
M1.0
REVISION NUMBER:
00



01 OIL TANK ELEVATION - A
M2.0 SCALE: 3/4"-1'-0"



02 OIL TANK ELEVATION - B
M2.0 SCALE: 3/4"-1'-0"



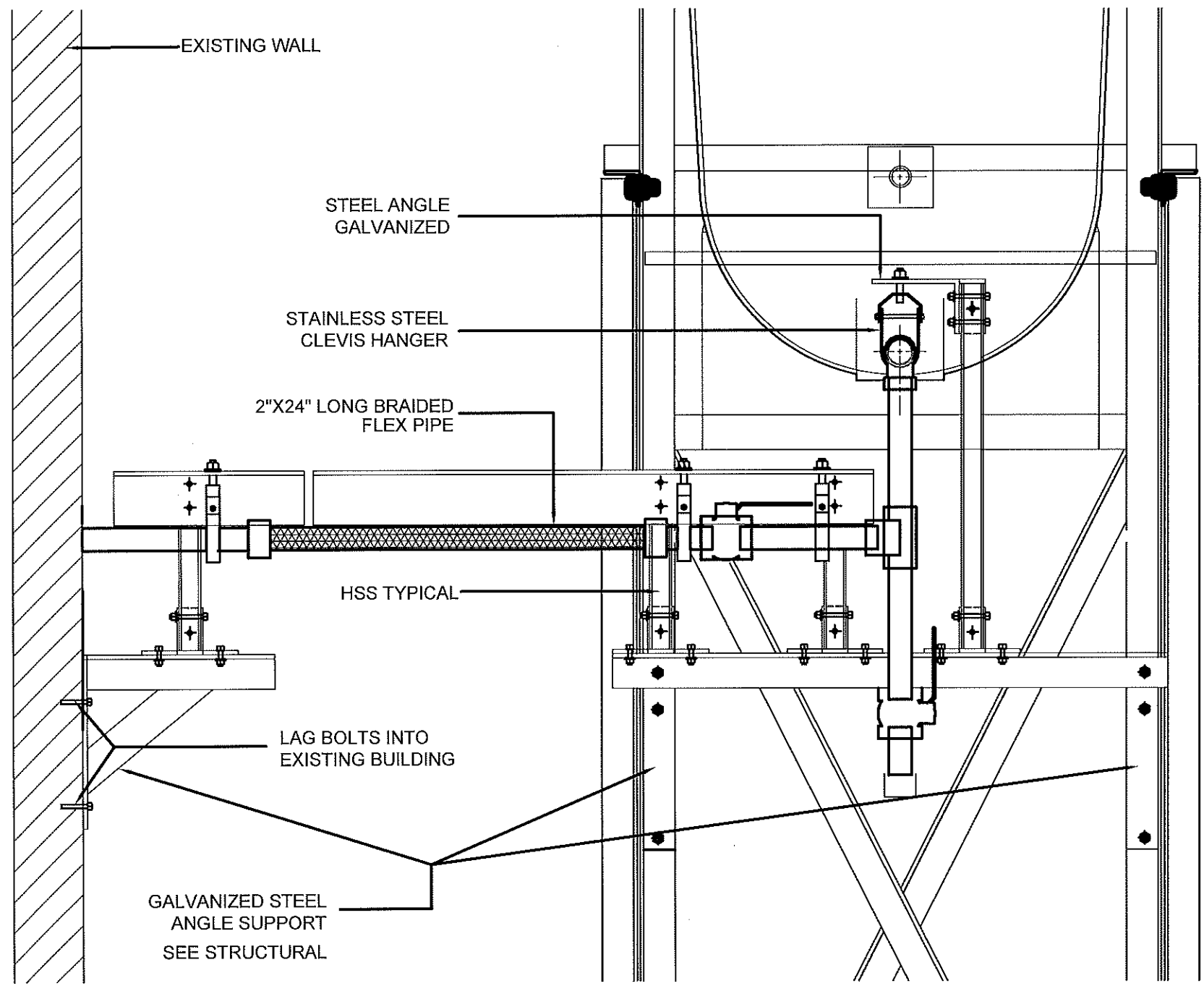
PROJECT TITLE:
RCMP "V" DIVISION OIL TANK REPLACEMENT - CLYDE RIVER
V116 - GARAGE, CLYDE RIVER
SHEET TITLE:
TANK ELEVATIONS
PROJECT NUMBER:
16-028-14-30

00	ISSUED FOR TENDER	17 06 09	JLS
REV. #	REVISION	DATE (YY MM DD)	REV. BY

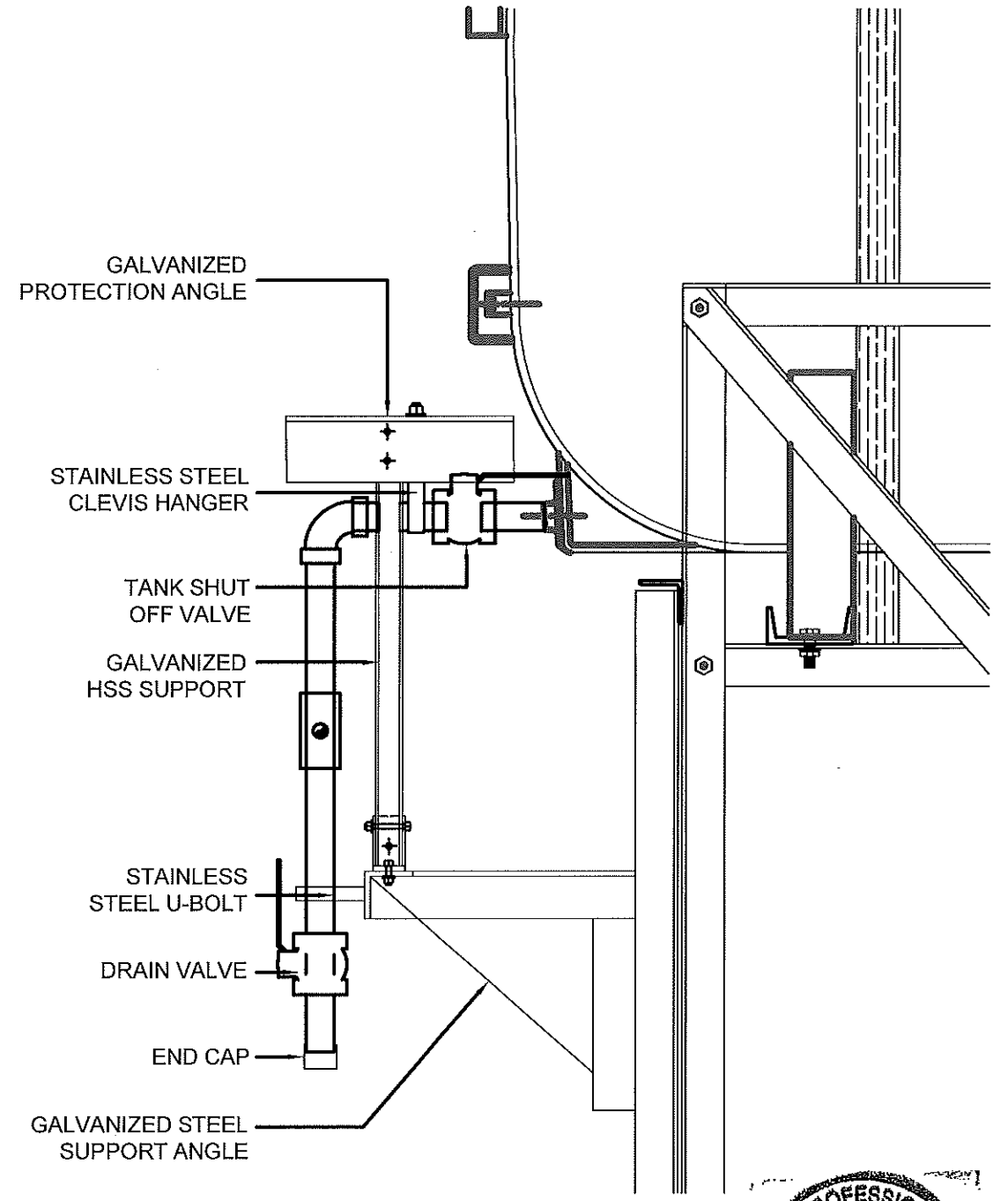
REV. #	REVISION	DATE (YY MM DD)	REV. BY
--------	----------	-----------------	---------

SCALE:
AS NOTED
DATE (YY MM DD):
17 03 01

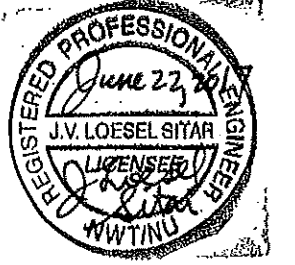
DRAWING NUMBER:
M2.0
REVISION NUMBER:
00



01 FRONT VIEW
M2.1 SCALE: 1 1/2"-1'-0"



02 SIDE VIEW
M2.1 SCALE: 1 1/2"-1'-0"



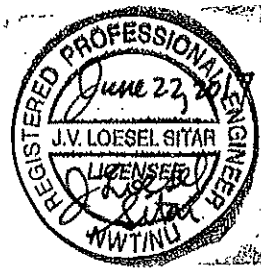
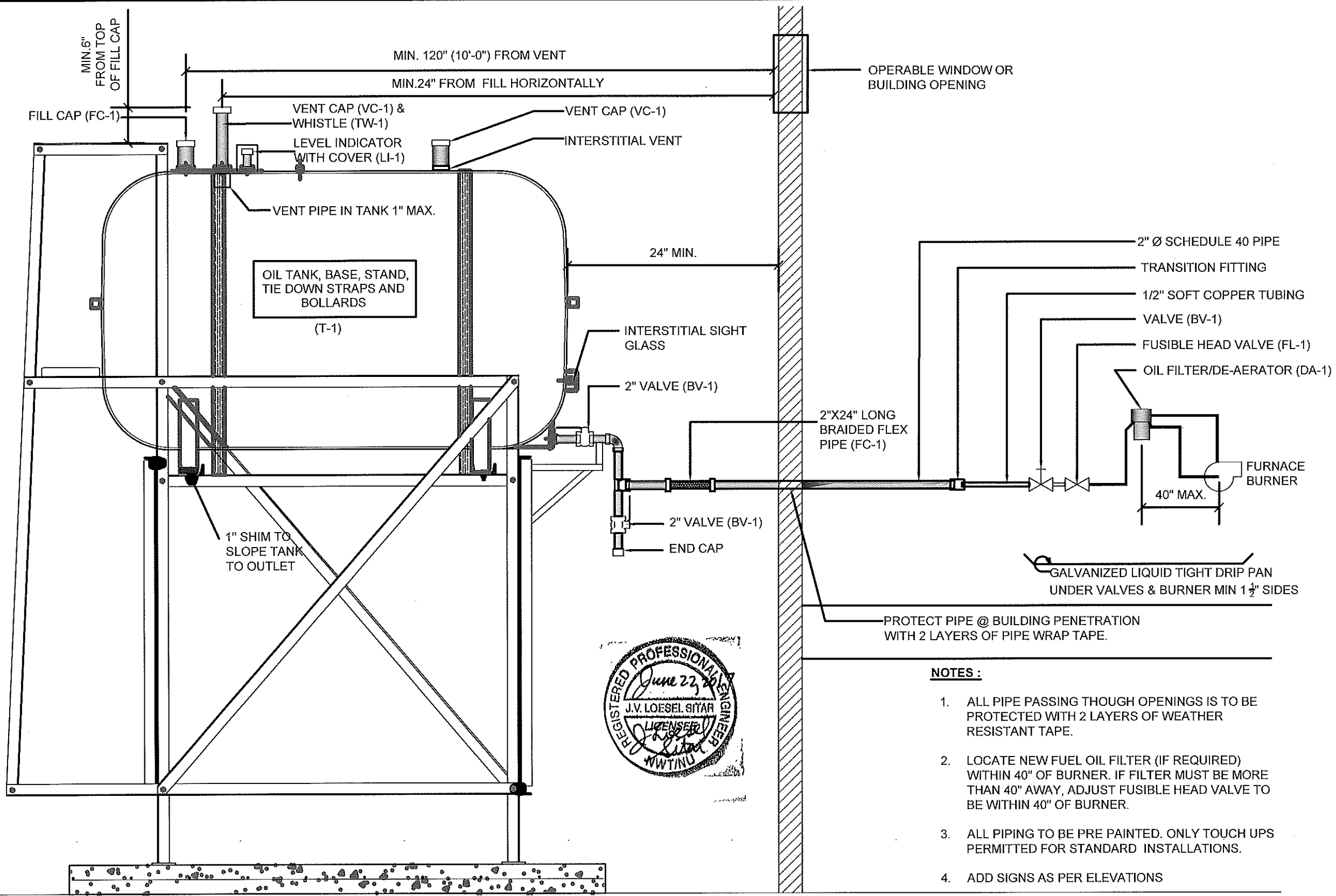
PROJECT TITLE:
RCMP "V" DIVISION OIL TANK REPLACEMENT - CLYDE RIVER
V116 - GARAGE, CLYDE RIVER
SHEET TITLE:
2" FUEL LINE SUPPORT DETAIL
PROJECT NUMBER:
16-028-14-30

00	ISSUED FOR TENDER	17 06 09	JLS
REV. #	REVISION	DATE (YY MM DD)	REV. BY

REV. #	REVISION	DATE (YY MM DD)	REV. BY
--------	----------	-----------------	---------

SCALE:
AS NOTED
DATE (YY MM DD):
17 03 01

DRAWING NUMBER:
M2.1
REVISION NUMBER:
00



- NOTES :**
1. ALL PIPE PASSING THOUGH OPENINGS IS TO BE PROTECTED WITH 2 LAYERS OF WEATHER RESISTANT TAPE.
 2. LOCATE NEW FUEL OIL FILTER (IF REQUIRED) WITHIN 40" OF BURNER. IF FILTER MUST BE MORE THAN 40" AWAY, ADJUST FUSIBLE HEAD VALVE TO BE WITHIN 40" OF BURNER.
 3. ALL PIPING TO BE PRE PAINTED. ONLY TOUCH UPS PERMITTED FOR STANDARD INSTALLATIONS.
 4. ADD SIGNS AS PER ELEVATIONS

01 SCHEMATIC - TANK, PIPING & ACCESSORIES : ON STAND
 M3.0 SCALE: NTS



PROJECT TITLE:
 RCMP "V" DIVISION OIL TANK REPLACEMENT - CLYDE RIVER
 V116 - GARAGE , CLYDE RIVER
 SHEET TITLE:
 SCHEMATIC - TANK, PIPING & ACCESSORIES
 PROJECT NUMBER:
 16-028-14-30

00 ISSUED FOR TENDER 17 06 09 JLS
 REV. # | REVISION | DATE (YY MM DD) | REV. BY

REV. # | REVISION | DATE (YY MM DD) | REV. BY

SCALE:
 AS NOTED
 DATE (YY MM DD):
 17 06 09

DRAWING NUMBER:
M3.0
 REVISION NUMBER:
 00