

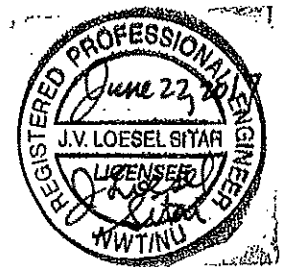
01 DEMOLITION PLAN
M1.0 SCALE: NTS

DRAWING NOTES: #

1. REMOVE EXISTING OIL TANK, STAND AND BASE
2. REMOVE EXISTING PIPING AND SUPPORTS INTO BUILDING
3. REMOVE ALL INTERIOR PIPING
4. REMOVE EXISTING DAY TANK

DEMOLITION NOTES:

1. REMOVE ALL FUEL FROM THE EXISTING TANK AND DISPOSE OF AS PER LOCAL REGULATIONS
2. REMOVE EXISTING OIL TANK, STAND AND PAD AND DISPOSE OF AS PER LOCAL REGULATIONS.



PROJECT TITLE:
RCMP "V" DIVISION OIL TANK REPLACEMENT - CLYDE RIVER
V118 - FITNESS BUILDING , CLYDE RIVER
SHEET TITLE:
DEMOLITION PLAN
PROJECT NUMBER:
16-028-14-30

00	ISSUED FOR TENDER	17 06 09	JLS
REV. #	REVISION	DATE (YY MM DD)	REV. BY

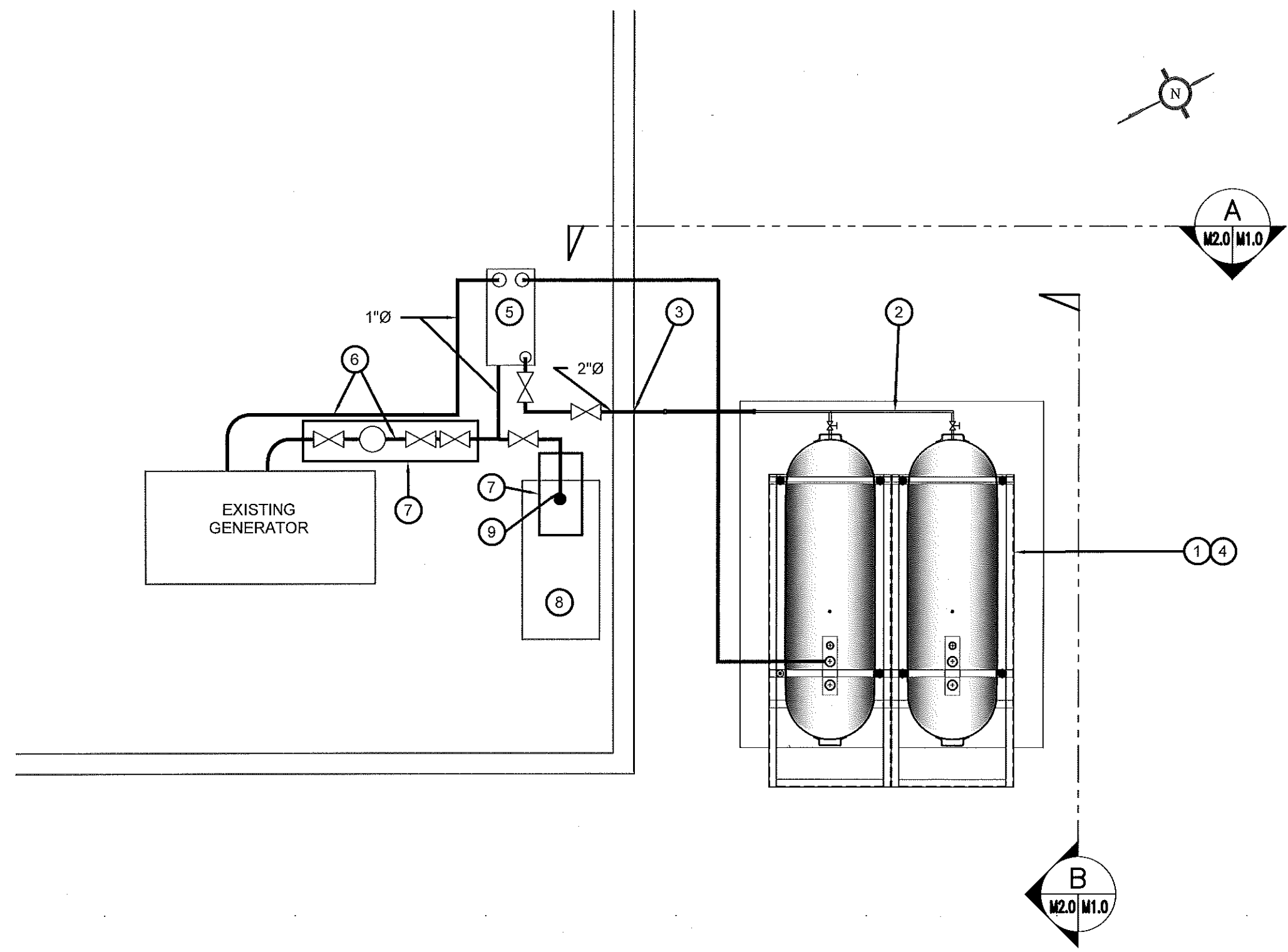
REV. #	REVISION	DATE (YY MM DD)	REV. BY
--------	----------	-----------------	---------

SCALE:
AS NOTED
DATE (YY MM DD):
17 02 22

DRAWING NUMBER:
M1.0
REVISION NUMBER:
00

CONSTRUCTION NOTES: #

1. INSTALL NEW OIL TANKS, STAND AND CONCRETE PAD. SEE SHEET M2.0.
2. INSTALL NEW PIPING SUPPORT AS PER SHEET M2.1
3. CAULK ENTRY INTO BUILDING.
4. INSTALL TANKS STAND #5 - SEE STRUCTURAL FOR DETAILS.
5. NEW DOUBLE WALL DAY TANK (T-2) SEE SPECIFICATION
6. SUPPORT PIPING FROM FLOOR.
7. NEW DRIP TRAY
8. EXISTING FURNACE LOCATED AT CEILING
9. NEW PIPING TO FURNACE



02 CONSTRUCTION PLAN
M1.1 SCALE: NTS



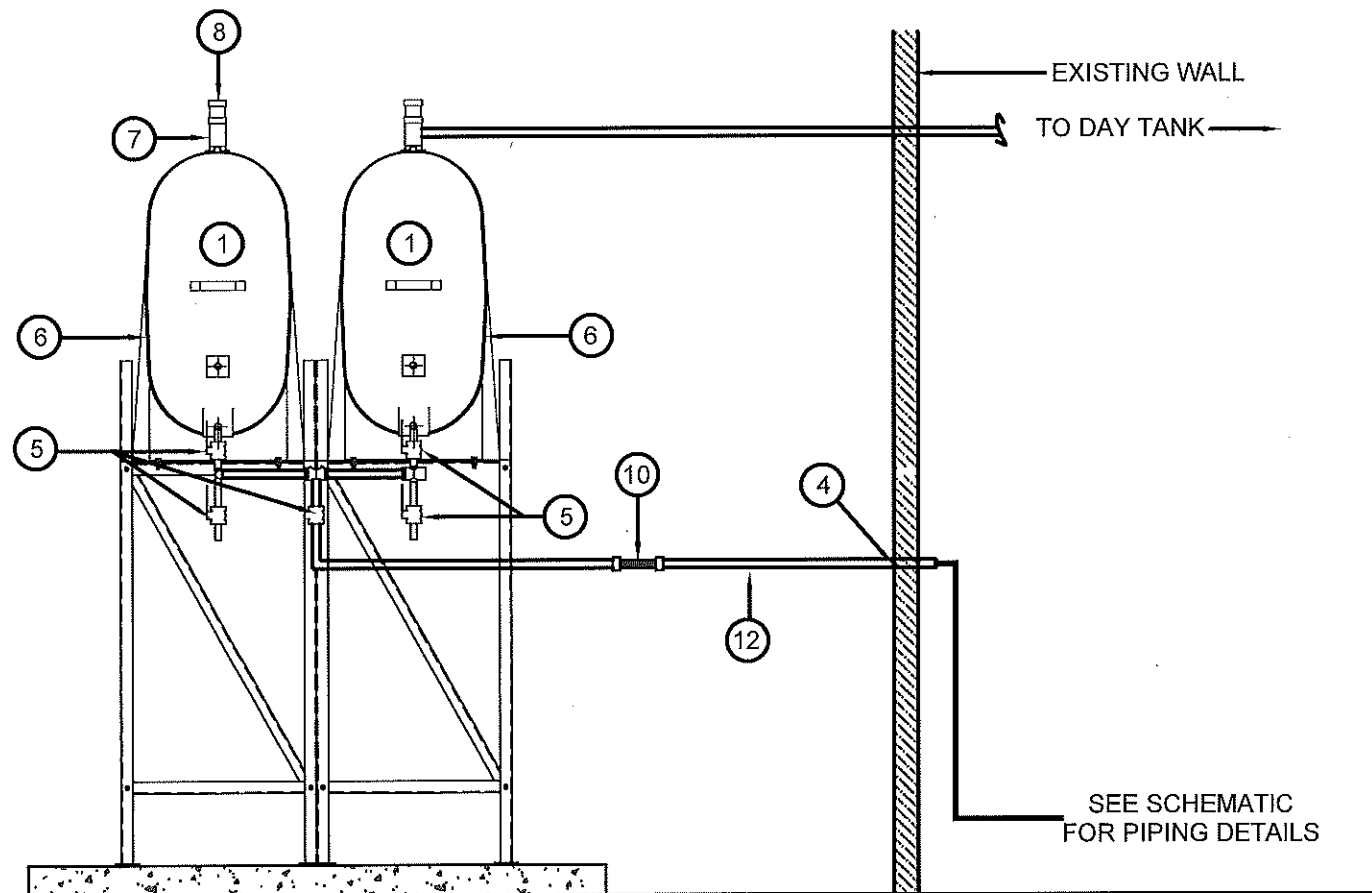
PROJECT TITLE:
RCMP "V" DIVISION OIL TANK REPLACEMENT - CLYDE RIVER
V118 - FITNESS BUILDING, CLYDE RIVER
SHEET TITLE:
CONSTRUCTION PLAN
PROJECT NUMBER:
16-028-14-30

REV. #	REVISION	DATE (YY MM DD)	REV. BY
00	ISSUED FOR TENDER	17 06 09	JLS

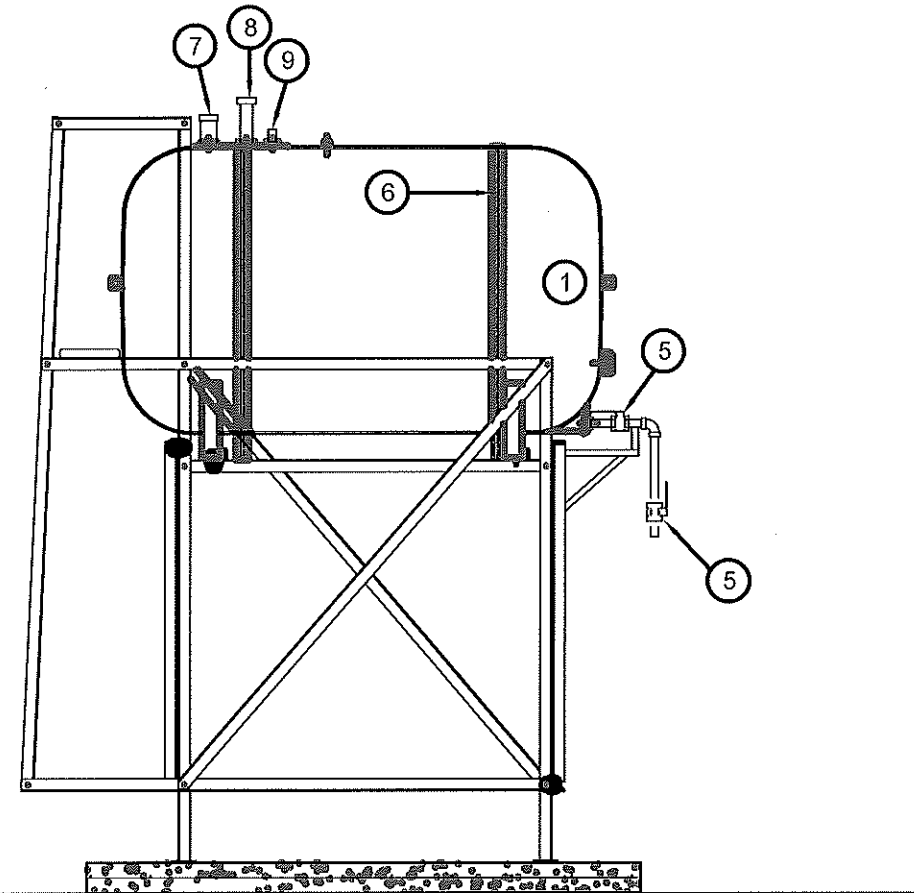
REV. #	REVISION	DATE (YY MM DD)	REV. BY

SCALE:
AS NOTED
DATE (YY MM DD):
17 02 22

DRAWING NUMBER:
M1.1
REVISION NUMBER:
00



01 OIL TANK ELEVATION - A
M2.0 SCALE: NTS

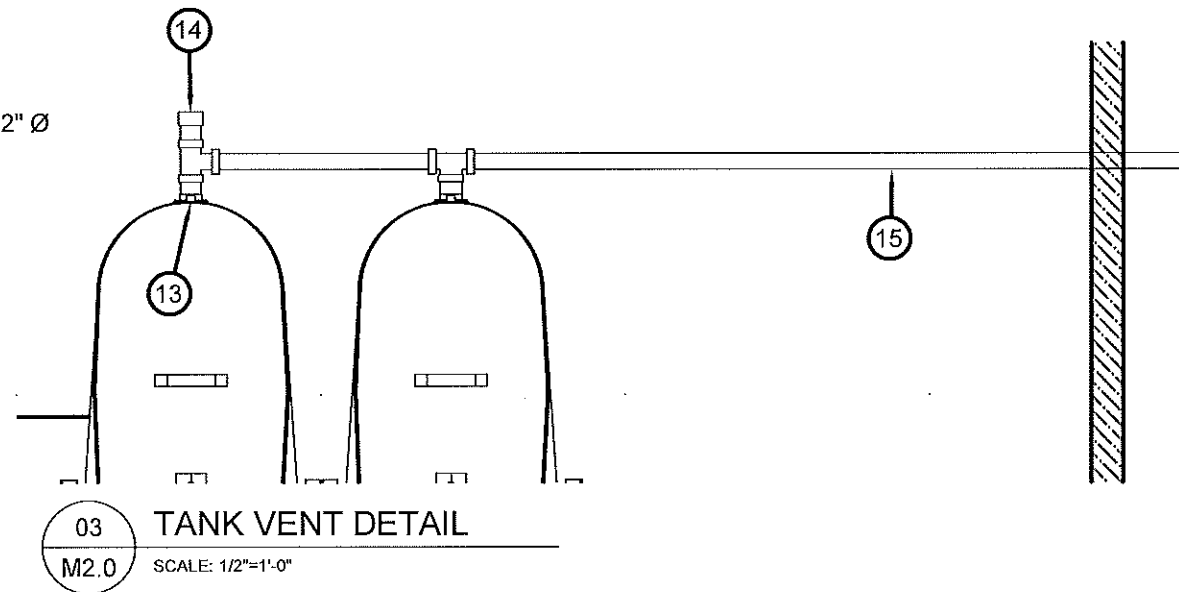


02 OIL TANK ELEVATION - B
M2.0 SCALE: NTS

CONSTRUCTION NOTES: #

1. INSTALL NEW OIL TANK AND CONCRETE PAD IN NEW LOCATION. SEE STRUCTURAL FOR CONCRETE PAD AND BOLLARD DETAILS
2. NOT USED
3. NOT USED
4. PROTECT PIPE THROUGH OPENINGS WITH 2 LAYERS OF WEATHER RESISTANCE TAPE CAULK TO SEAL.
5. NEW SHUT OFF VALVE (BV-1)
6. TIE DOWN STRAP - SEE STRUCTURAL
7. FILL CAP (FC-1)
8. VENT CAP (VC-1) AND WHISTLE (TW-1)
9. LEVEL INDICATOR (LI-1)
10. 2" BRAIDED STEEL PIPE (FC-1)
11. NOT USED
12. 2" Ø SCHEDULE 40 PIPE

13. VENT WHISTLE
14. VENT
15. VENT LINE FROM DAY TANK 2" Ø



03 TANK VENT DETAIL
M2.0 SCALE: 1/2"=1'-0"



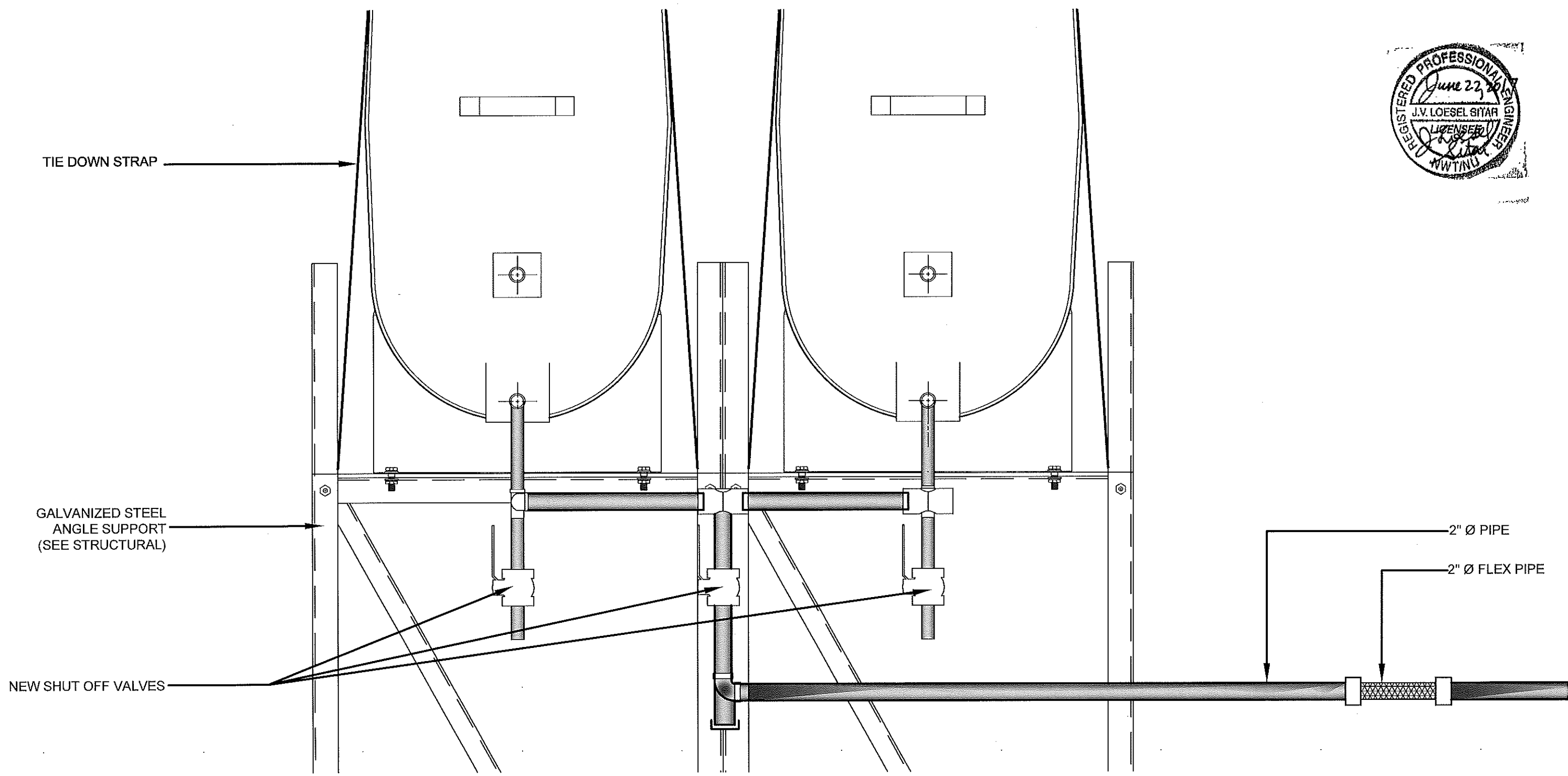
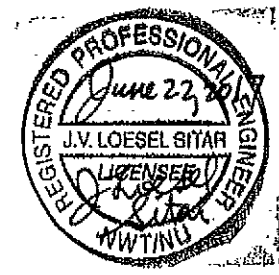
PROJECT TITLE:
RCMP "V" DIVISION OIL TANK REPLACEMENT - CLYDE RIVER
V118 - FITNESS BUILDING, CLYDE RIVER
SHEET TITLE:
TANK ELEVATIONS
PROJECT NUMBER:
16-028-14-30

00	ISSUED FOR TENDER	17 06 09	JLS
REV. #	REVISION	DATE (YY MM DD)	REV. BY

REV. #	REVISION	DATE (YY MM DD)	REV. BY
--------	----------	-----------------	---------

SCALE:
AS NOTED
DATE (YY MM DD):
17 06 09

DRAWING NUMBER:
M2.0
REVISION NUMBER:
00



01 FRONT VIEW
M2.1 SCALE: 1 1/2"=1'-0"



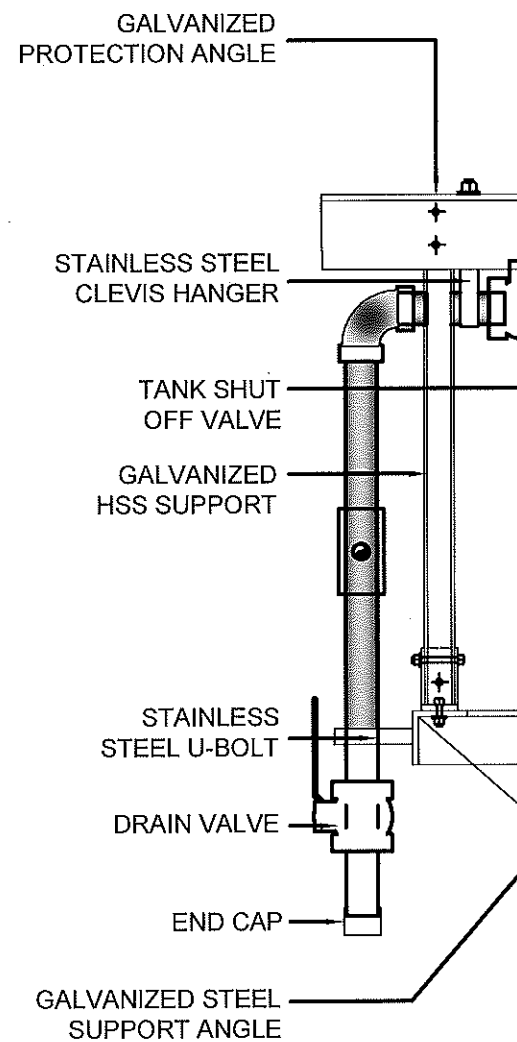
PROJECT TITLE:
RCMP "V" DIVISION OIL TANK REPLACEMENT - CLYDE RIVER
V118 - FITNESS BUILDING, CLYDE RIVER
SHEET TITLE:
2" FUEL LINE SUPPORT DETAIL - DOUBLE TANK
PROJECT NUMBER:
16-028-14-30

REV. #	REVISION	DATE (YY MM DD)	REV. BY
00	ISSUED FOR TENDER	17 06 09	JLS

REV. #	REVISION	DATE (YY MM DD)	REV. BY

SCALE:
AS NOTED
DATE (YY MM DD):
17 06 09

DRAWING NUMBER:
M2.1
REVISION NUMBER:
00



02 SIDE VIEW
 M2.2 SCALE: 1 1/2"=1'-0"

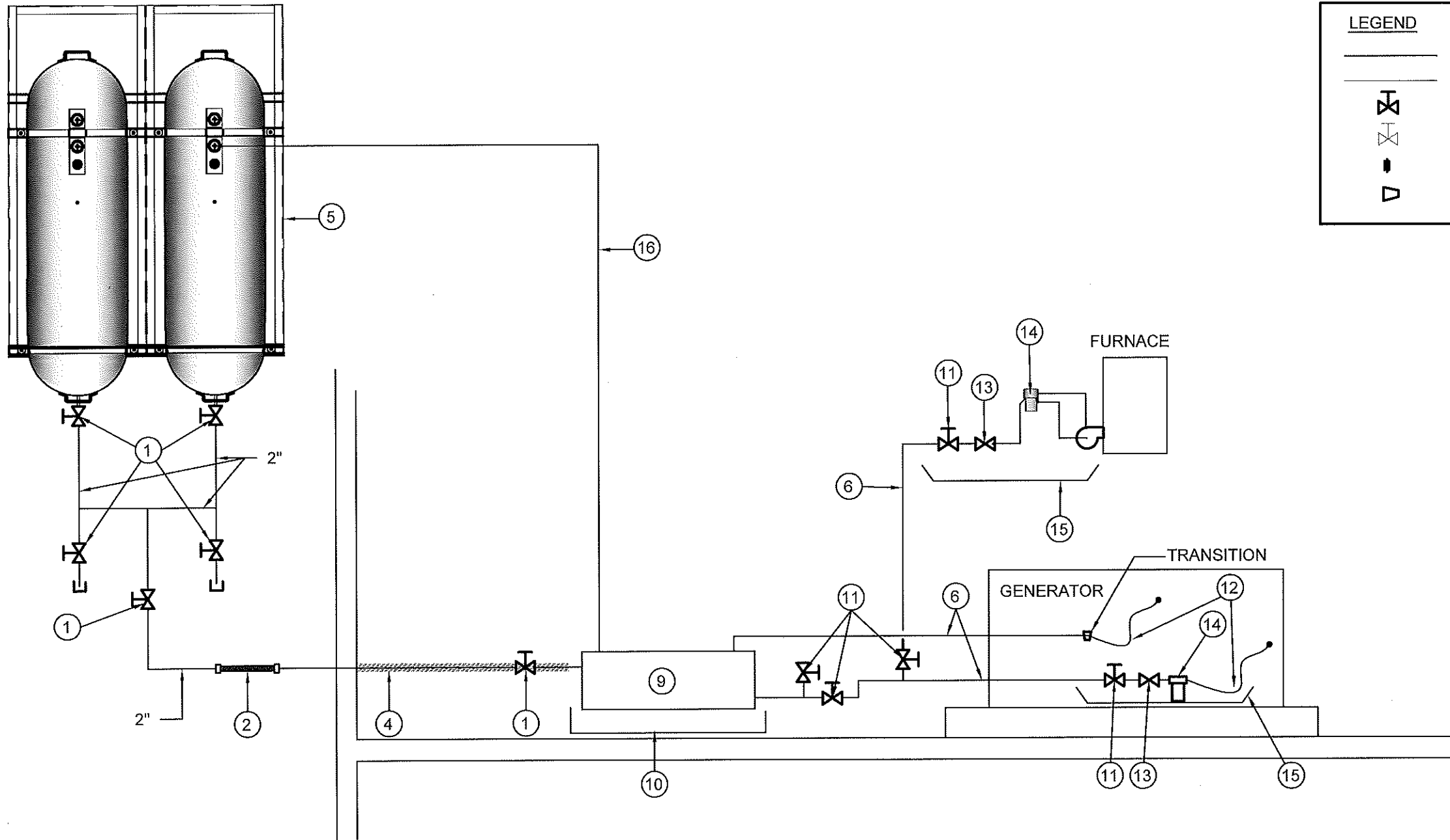


PROJECT TITLE:
 RCMP "V" DIVISION OIL TANK REPLACE
 V118 - FITNESS BUILDING, CLYDE RIVE
 SHEET TITLE:
 2" FUEL LINE SUPPORT DETAIL
 PROJECT NUMBER:
 16-028-14-30

REV. #	REVISION	DATE (YY MM DD)	REV. BY

SCALE:
 AS NOTED
 DATE (YY MM DD):
 17 02 22

DRAWING NUMBER:
M2.2
 REVISION NUMBER:
 00



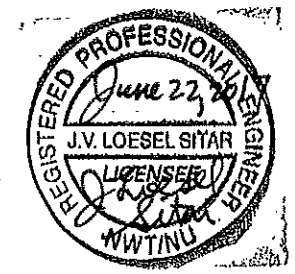
LEGEND

- NEW PIPING
- - - - - EXISTING PIPING
- NEW VALVE
- EXISTING VALVE
- NEW UNION
- NEW REDUCER

DRAWING NOTES: (#)

- 1. NEW VALVE 2" (BV-1)
- 2. 2"X24" LONG BRAIDED FLEX PIPE (FC-1)
- 3. NOT USED
- 4. INSULATE 2" PIPE FROM EXTERIOR WALL TO DAY TANK
- 5. 2 - FIBERGLASS OIL TANKS, STANDS AND CONCRETE BASE. SEE DETAILS SHEET M2.1 AND M2.2
- 6. 1" PIPE
- 7. NEW VALVE
- 8. NOT USED

- 9. NEW DAY TANK (T-2)
- 10. NEW GALVANIZED DRIP PAN, MIN 1 1/2" SIDES
- 11. NEW VALVE (BV-1)
- 12. NEW BRAIDED LINE
- 13. NEW FUSIBLE LINK
- 14. NEW TIGER LOOP / FILTER, LOCATE WITHIN 40" AWAY, ADJUST FUSIBLE LINK TO BE WITHIN 40" OF BURNER
- 15. NEW LIQUID TIGHT DRIP PAN UNDER VALVES AND BURNER MIN 1 1/2" SIDES
- 16. 2" VENT LINE CONNECT TO TANK 1 SEE DETAIL M2.0



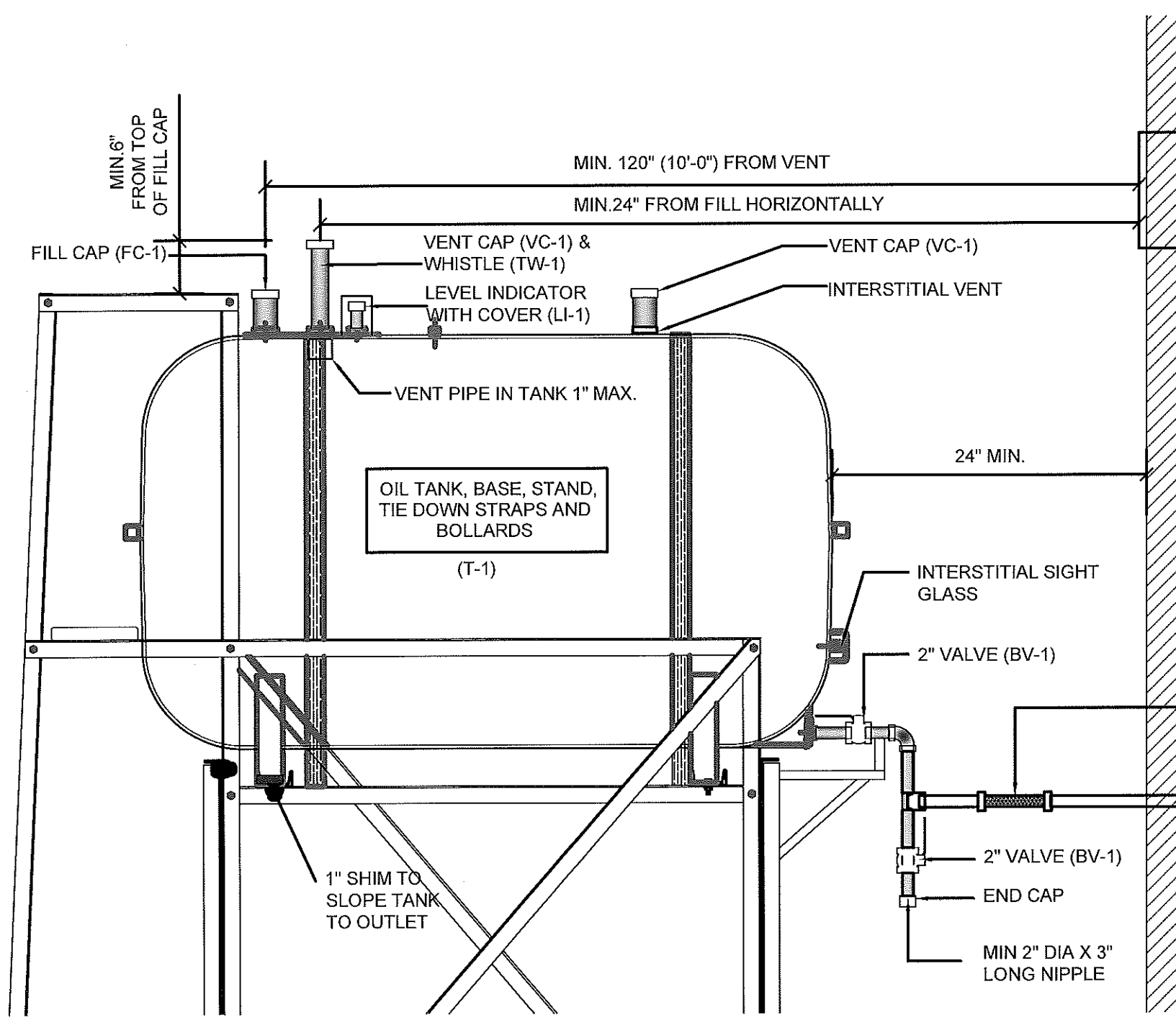
PROJECT TITLE:
RCMP "V" DIVISION OIL TANK REPLACEMENT - CLYDE RIVER
V118 - FITNESS BUILDING, CLYDE RIVER
SHEET TITLE:
SCHEMATIC - TANK, PIPING & ACCESSORIES
PROJECT NUMBER:
16-028-14-30

00	ISSUED FOR TENDER	17 06 09	JLS
REV. #	REVISION	DATE (YY MM DD)	REV. BY

REV. #	REVISION	DATE (YY MM DD)	REV. BY
--------	----------	-----------------	---------

SCALE:
AS NOTED
DATE (YY MM DD):
17 02 22

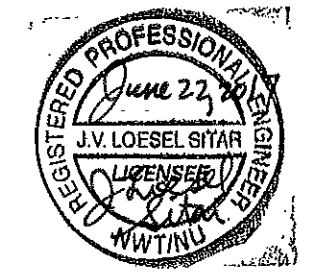
DRAWING NUMBER:
M3.0
REVISION NUMBER:
00



NOTES :

1. ALL PIPE PASSING THOUGH OPENINGS IS TO BE PROTECTED WITH 2 LAYERS OF WEATHER RESISTANT TAPE.
2. LOCATE NEW FUEL OIL FILTER (IF REQUIRED) WITHIN 40" OF BURNER. IF FILTER MUST BE MORE THAN 40" AWAY, ADJUST FUSIBLE HEAD VALVE TO BE WITHIN 40" OF BURNER.
3. ALL PIPING TO BE PRE PAINTED. ONLY TOUCH UPS PERMITTED FOR STANDARD INSTALLATIONS.
4. ADD SIGNS AS PER ELEVATIONS
5. DOUBLE TANK CONFIGURATION: ONLY ONE TANK IS TO HAVE A FILL CAP INSTALLED. ADJACENT TANK IS TO HAVE FILL OPENING PLUGGED.
6. DOUBLE TANK CONFIGURATION: VENT WHISTLE TO BE INSTALLED ON TANK WITH FILL CAP. ADJACENT TANK TO HAVE VENT ONLY

01 TYPICAL TANK SCHEMATIC
M3.1 SCALE: NTS



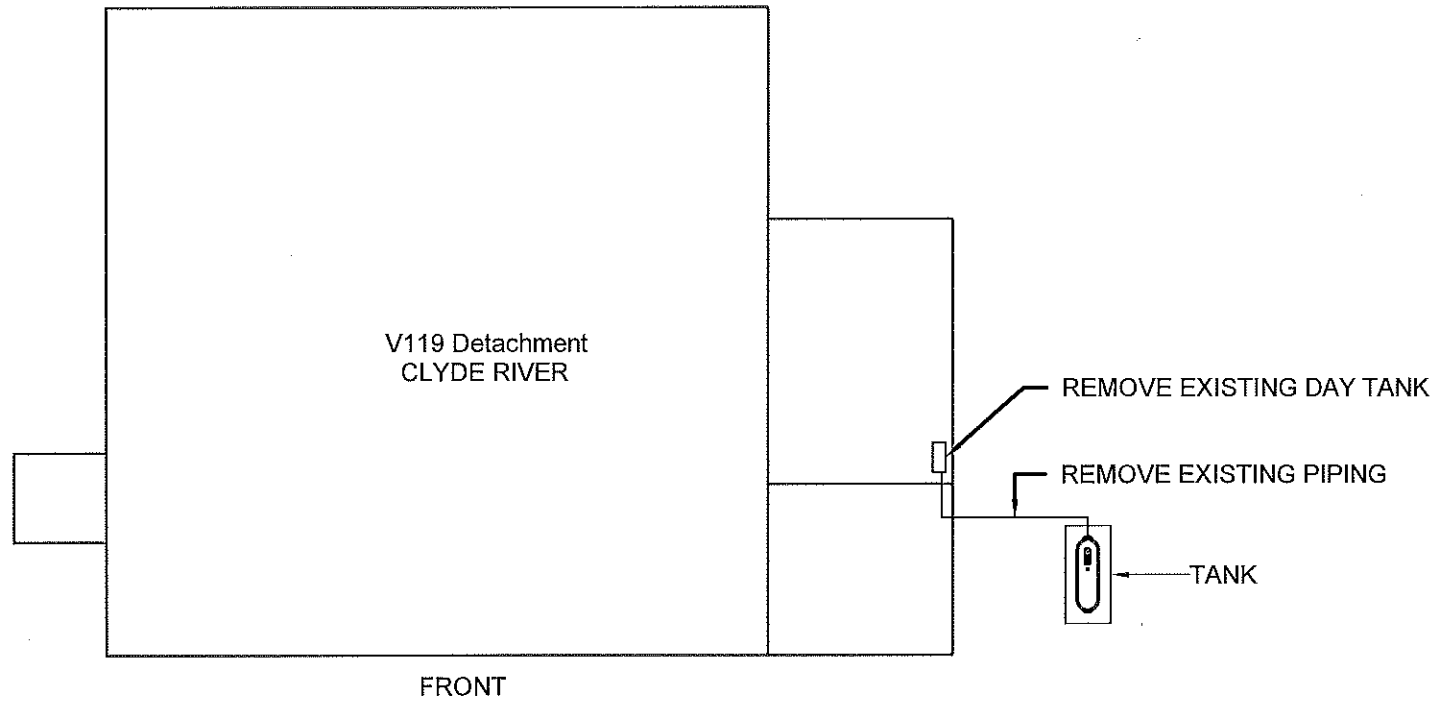
PROJECT TITLE:
RCMP "V" DIVISION OIL TANK REPLACEMENT - CLYDE RIVER
V118 - FITNESS BUILDING , CLYDE RIVER
SHEET TITLE:
SCHEMATIC - TANK, PIPING & ACCESSORIES
PROJECT NUMBER:
16-028-14-30

00	ISSUED FOR REVIEW FOR TENDER	17 02 22	JLS
REV. #	REVISION	DATE (YY MM DD)	REV. BY

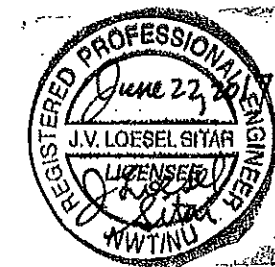
REV. #	REVISION	DATE (YY MM DD)	REV. BY
--------	----------	-----------------	---------

SCALE:
AS NOTED
DATE (YY MM DD):
17 05 09

DRAWING NUMBER:
M3.1
REVISION NUMBER:
00



01 DEMOLITION PLAN
M1.0 SCALE: NTS



DEMOLITION NOTES:

1. REMOVE ALL FUEL FROM THE TANK AND DISPOSE OF AS PER LOCAL REGULATIONS
2. REMOVE EXISTING ROTH 1000L OIL TANK AND PAD DISPOSE OF AS PER LOCAL REGULATIONS



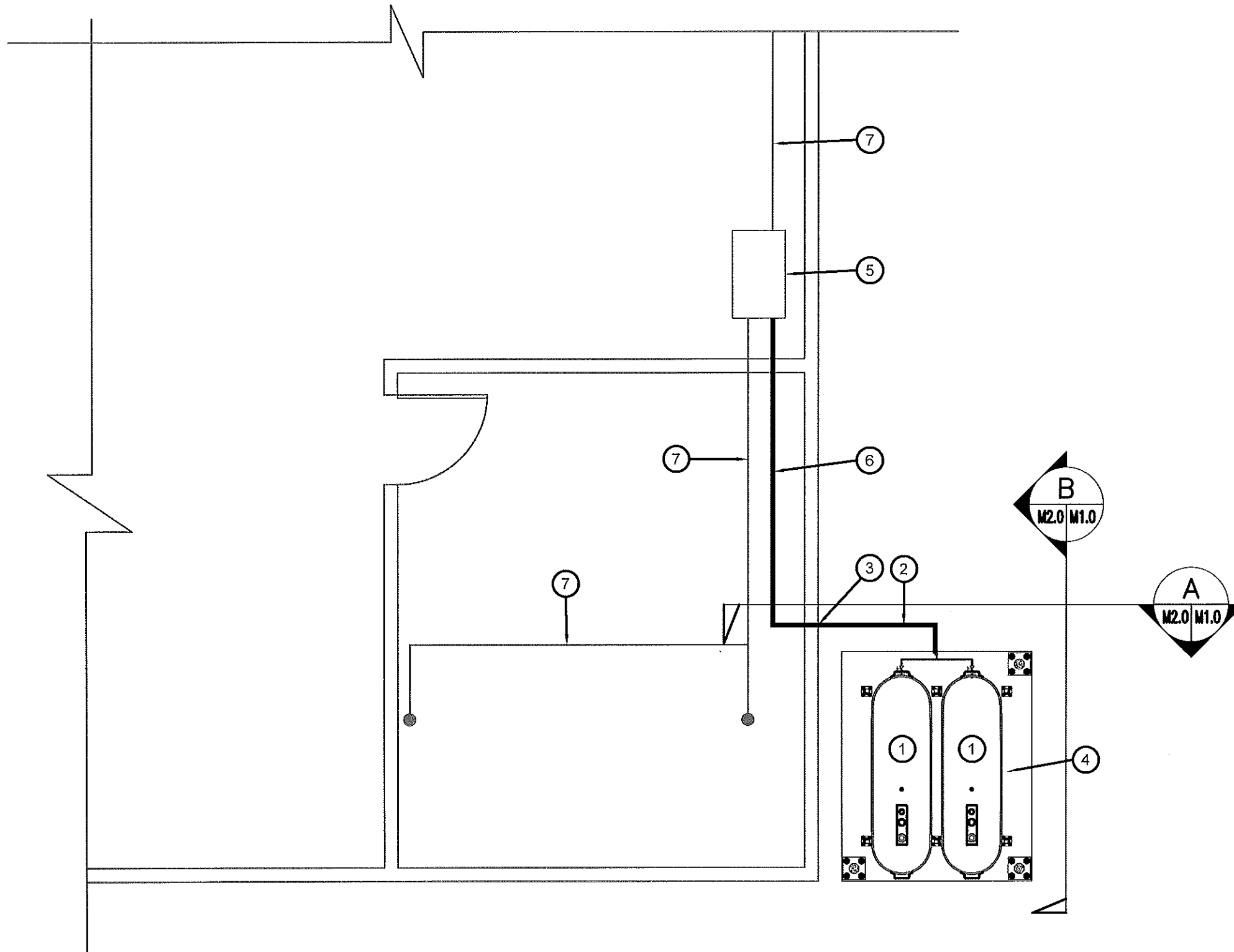
PROJECT TITLE:
RCMP "V" DIVISION OIL TANK REPLACEMENT - CLYDE RIVER
V119 - DETACHMENT, CLYDE RIVER
SHEET TITLE:
DEMOLITION PLAN
PROJECT NUMBER:
16-028-14-30

REV. #	REVISION	DATE (YY MM DD)	REV. BY
00	ISSUED FOR TENDER	17 06 09	JLS

REV. #	REVISION	DATE (YY MM DD)	REV. BY

SCALE:
AS NOTED
DATE (YY MM DD):
17 06 09

DRAWING NUMBER:
M1.0
REVISION NUMBER:
00



CONSTRUCTION NOTES: #

1. INSTALL NEW OIL TANK, STAND AND CONCRETE PAD. SEE SHEET M2.0
2. INSTALL NEW PIPING SUPPORT AS PER SHEET M2.1
3. CAULK ENTRY INTO BUILDING.
4. INSTALL NEW OIL TANK STAND #5 SEE STRUCTURAL FOR DETAILS
5. INSTALL NEW WARMING PIPE
6. NEW 2" DIA PIPE TO NEW WARMING PIPE
7. EXISTING 1"Ø PIPE



01 CONSTRUCTION PLAN CRAWL SPACE
M1.1 SCALE: 1/4"=1'-0"



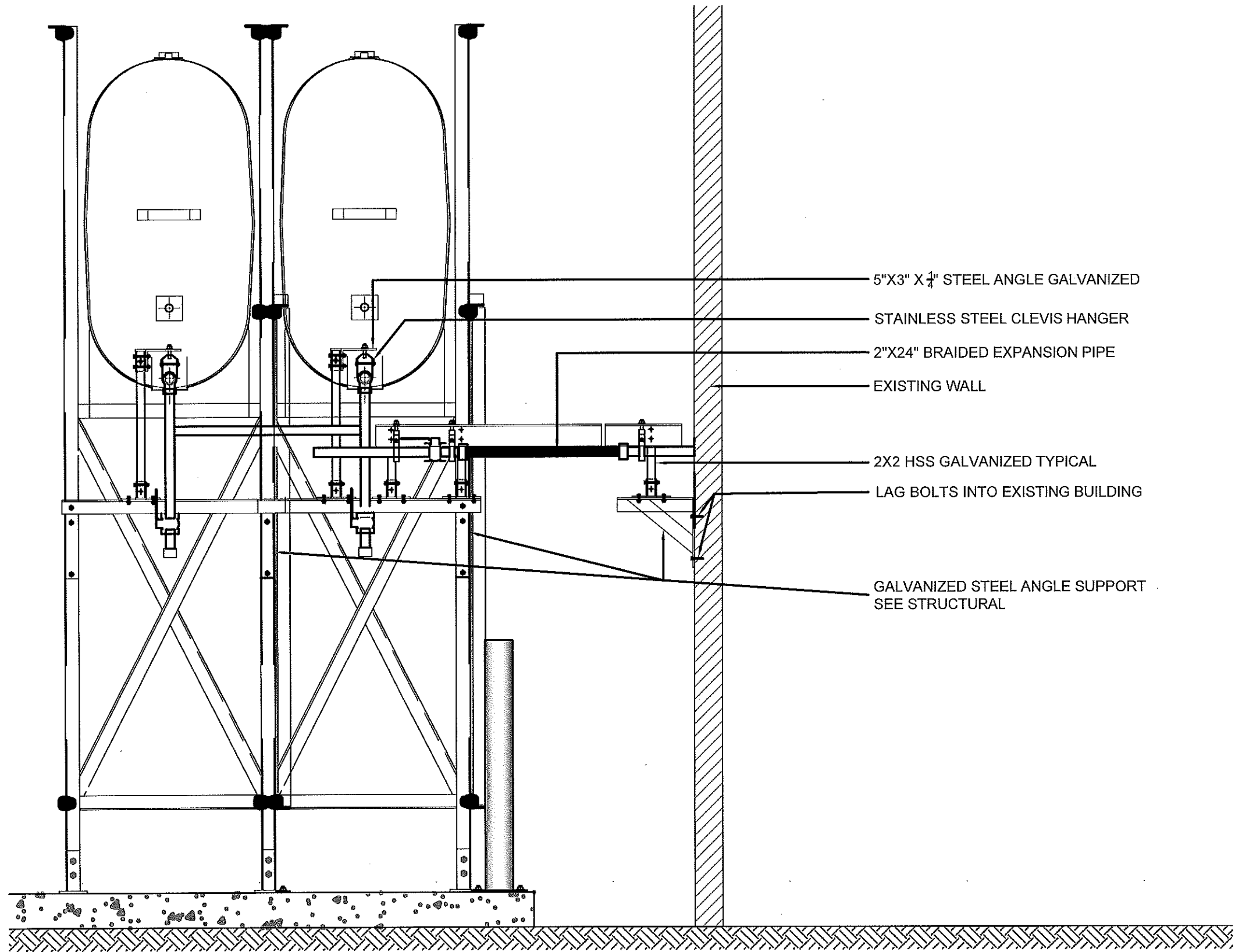
PROJECT TITLE:
RCMP "V" DIVISION OIL TANK REPLACEMENT - CLYDE RIVER
V119 - DETACHMENT, CLYDE RIVER
SHEET TITLE:
DEMOLITION AND CONSTRUCTION PLAN
PROJECT NUMBER:
16-028-14-30

00	ISSUED FOR TENDER	17 06 09	JLS
REV. #	REVISION	DATE (YY MM DD)	REV. BY

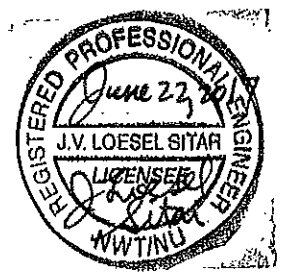
REV. #	REVISION	DATE (YY MM DD)	REV. BY
--------	----------	-----------------	---------

SCALE:
AS NOTED
DATE (YY MM DD):
17 06 09

DRAWING NUMBER:
M1.1
REVISION NUMBER:
00



- 5"X3" X 1/4" STEEL ANGLE GALVANIZED
- STAINLESS STEEL CLEVIS HANGER
- 2"X24" BRAIDED EXPANSION PIPE
- EXISTING WALL
- 2X2 HSS GALVANIZED TYPICAL
- LAG BOLTS INTO EXISTING BUILDING
- GALVANIZED STEEL ANGLE SUPPORT
SEE STRUCTURAL



01 OIL TANK ELEVATION - A
M2.0 SCALE: 3/4"-1'-0"



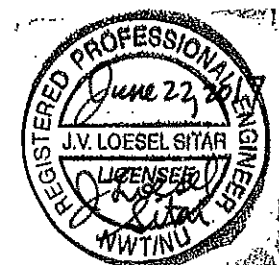
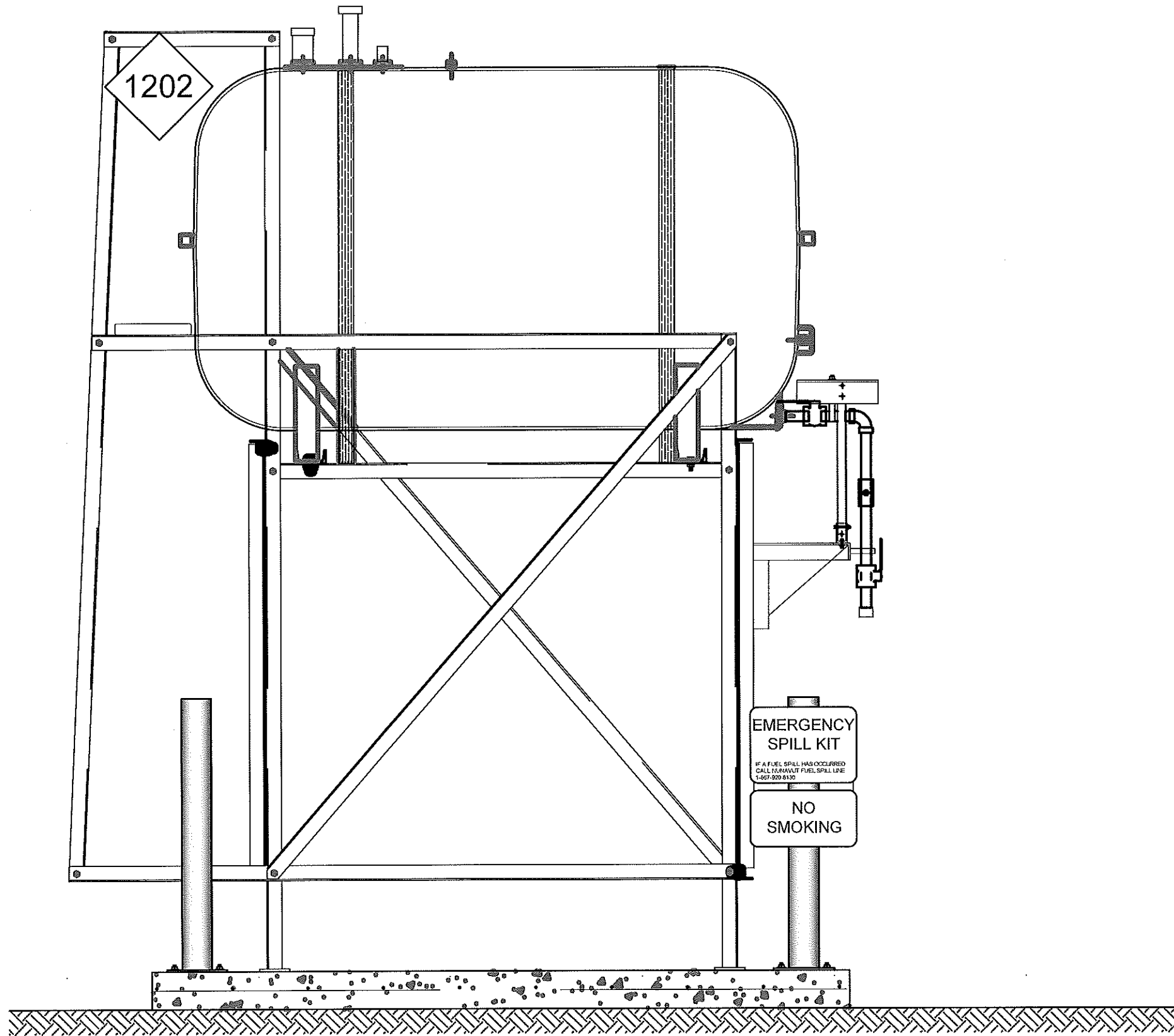
PROJECT TITLE:
RCMP "V" DIVISION OIL TANK REPLACEMENT - CLYDE RIVER
V119 - DETACHMENT, CLYDE RIVER
SHEET TITLE:
TANK ELEVATIONS
PROJECT NUMBER:
16-028-14-30

00	ISSUED FOR TENDER	17 06 09	JLS
REV. #	REVISION	DATE (YY MM DD)	REV. BY

REV. #	REVISION	DATE (YY MM DD)	REV. BY
--------	----------	-----------------	---------

SCALE:
AS NOTED
DATE (YY MM DD):
17 03 03

DRAWING NUMBER:
M2.0
REVISION NUMBER:
00



02 OIL TANK ELEVATION - B
M2.3 SCALE: 3/4"-1'-0"



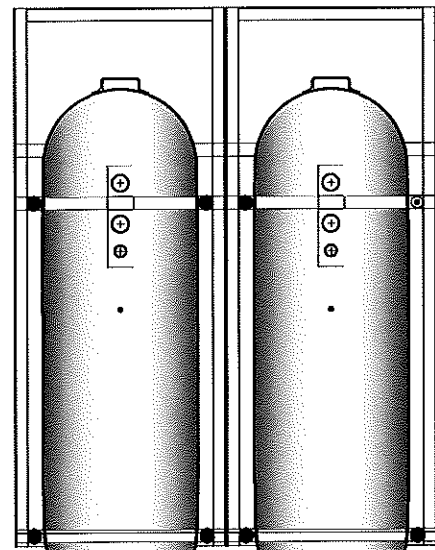
PROJECT TITLE:
RCMP "V" DIVISION OIL TANK REPLACEMENT - CLYDE RIVER
V119 - DETACHMENT, CLYDE RIVER
SHEET TITLE:
2" FUEL LINE SUPPORT DETAIL
PROJECT NUMBER:
16-028-14-30

00	ISSUED FOR REVIEW TENDER	17 06 09	JLS
REV. #	REVISION	DATE (YY MM DD)	REV. BY

REV. #	REVISION	DATE (YY MM DD)	REV. BY
--------	----------	-----------------	---------

SCALE:
AS NOTED
DATE (YY MM DD):
17 03 03

DRAWING NUMBER:
M2.1
REVISION NUMBER:
00

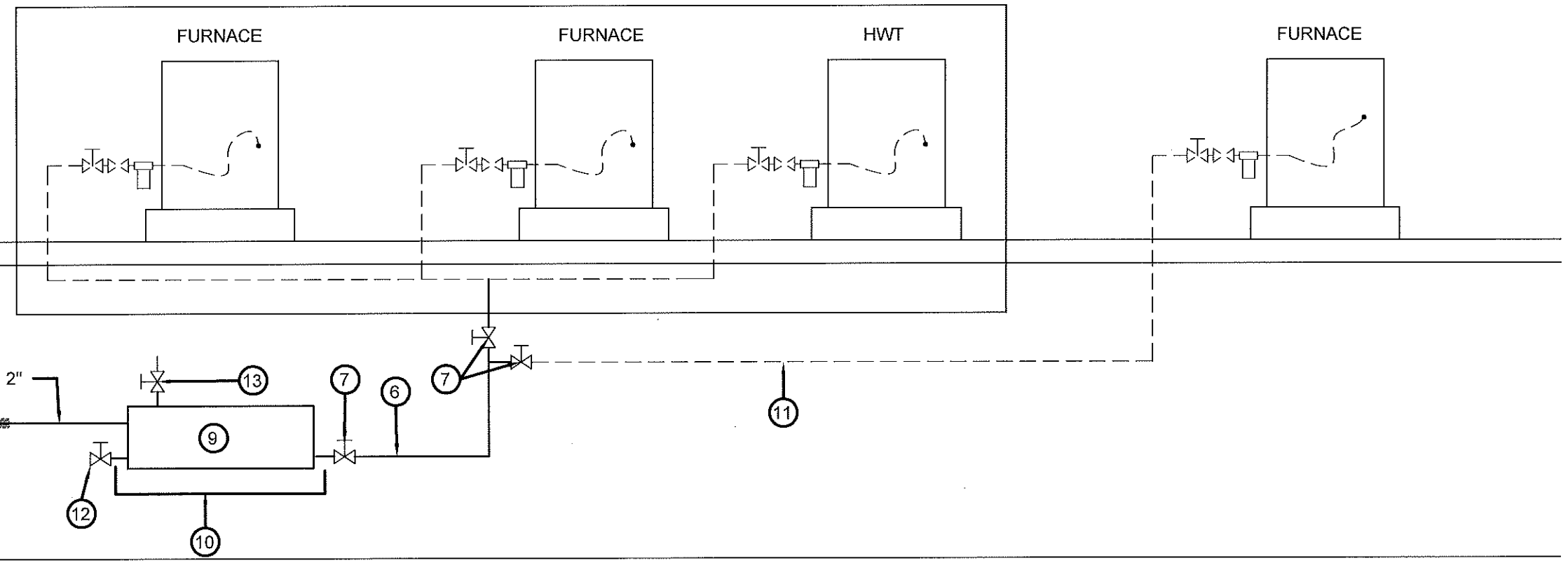


5

LEGEND

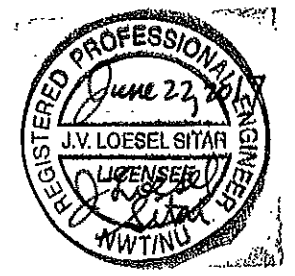
- NEW PIPING
- - - EXISTING PIPING
- ⊗ NEW VALVE
- ⊗ EXISTING VALVE
- ≡ NEW UNION
- ▽ NEW REDUCER

MECHANICAL ROOM



DRAWING NOTES: #

- | | |
|---|--|
| <ul style="list-style-type: none"> 1. NEW VALVE 2" (BV-1) 2. 2"X24" LONG BRAIDED FLEX PIPE (FC-1) 3. NOT USED 4. INSULATE 2" PIPE FROM EXTERIOR WALL TO NEW DAY TANK 5. 2 - FIBERGLASS OIL TANKS, STANDS AND CONCRETE BASE. SEE DETAILS SHEET M2.1 AND M2.2 6. SCHEDULE 40 FUEL LINE 1" DIA 7. NEW VALVE | <ul style="list-style-type: none"> 8. NOT USED 9. NEW WARMING PIPE DT-1 C/W SUPPORTS 10. NEW GALVANIZED DRIP PAN, MIN 1 1/2" SIDES 11. EXISTING FUEL LINE 12. TANK DRAIN VALVE AND END CAP 13. BLEED VALVE |
|---|--|



PROJECT TITLE:
RCMP "V" DIVISION OIL TANK REPLACEMENT - CLYDE RIVER
V119 - DETACHMENT, CLYDE RIVER

SHEET TITLE:
SCHEMATIC - TANK, PIPING AND ACCESSORIES

PROJECT NUMBER:
16-028-14-30

00	ISSUED FOR TENDER	17 06 09	JLS
REV. #	REVISION	DATE (YY MM DD)	REV. BY

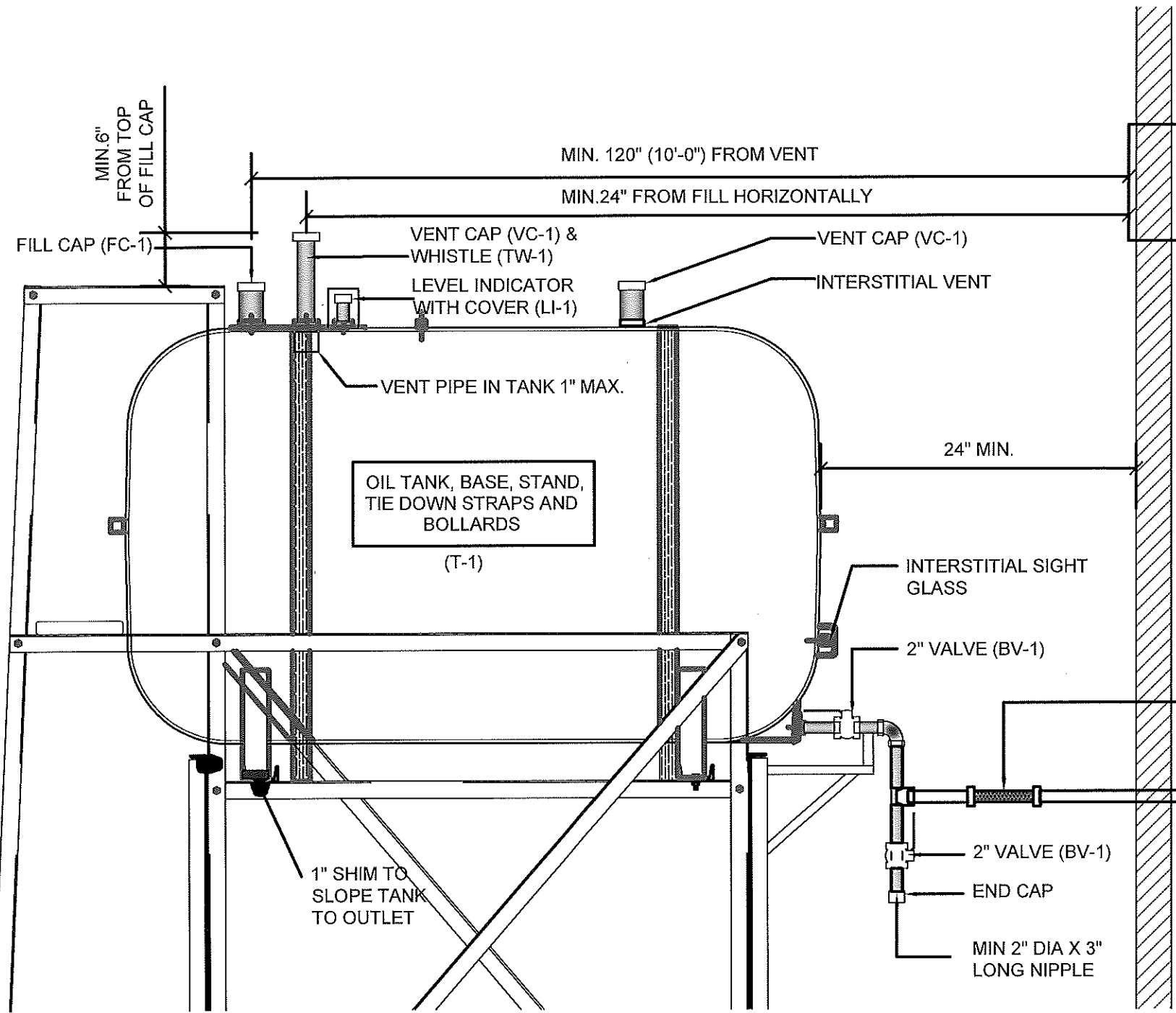
REV. #	REVISION	DATE (YY MM DD)	REV. BY
--------	----------	-----------------	---------

SCALE:
AS NOTED

DATE (YY MM DD):
17 03 03

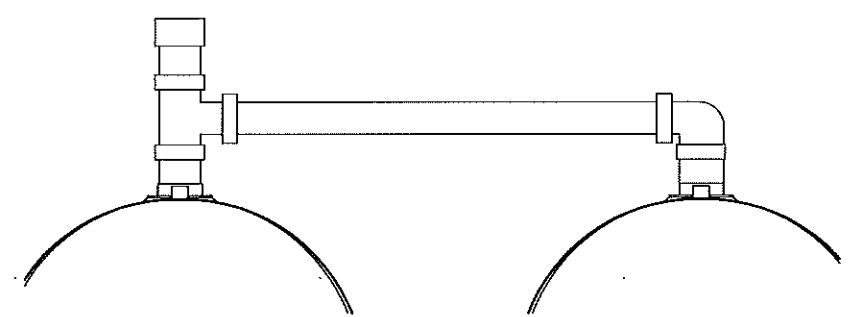
DRAWING NUMBER:
M3.0

REVISION NUMBER:
00

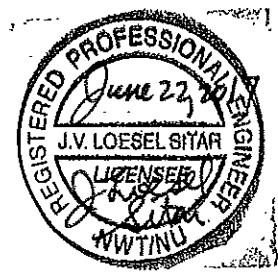


NOTES:

1. ALL PIPE PASSING THOUGH OPENINGS IS TO BE PROTECTED WITH 2 LAYERS OF WEATHER RESISTANT TAPE.
2. LOCATE NEW FUEL OIL FILTER (IF REQUIRED) WITHIN 40" OF BURNER. IF FILTER MUST BE MORE THAN 40" AWAY, ADJUST FUSIBLE HEAD VALVE TO BE WITHIN 40" OF BURNER.
3. ALL PIPING TO BE PRE PAINTED. ONLY TOUCH UPS PERMITTED FOR STANDARD INSTALLATIONS.
4. ADD SIGNS AS PER ELEVATIONS
5. DOUBLE TANK CONFIGURATION: ONLY ONE TANK IS TO HAVE A FILL CAP INSTALLED. ADJACENT TANK IS TO HAVE FILL OPENING PLUGGED.
6. DOUBLE TANK CONFIGURATION: VENT WHISTLE TO BE INSTALLED ON TANK WITH FILL CAP. ADJACENT TANK TO HAVE VENT ONLY



01 TYPICAL TANK SCHEMATIC
M3.1 SCALE: NTS



02 DOUBLE TANK VENT DETAIL
M3.1 SCALE: 1"=1'-0"



PROJECT TITLE:
RCMP "V" DIVISION OIL TANK REPLACEMENT - CLYDE RIVER
V119 - DETACHMENT, CLYDE RIVER
SHEET TITLE:
SCHEMATIC - TANK PIPING AND ACCESSORIES
PROJECT NUMBER:
16-028-14-30

00	ISSUED FOR TENDER	17 06 19	JLS
REV. #	REVISION	DATE (YY MM DD)	REV. BY

REV. #	REVISION	DATE (YY MM DD)	REV. BY
--------	----------	-----------------	---------

SCALE:
AS NOTED
DATE (YY MM DD):
17 03 03

DRAWING NUMBER:
M3.1
REVISION NUMBER:
00

GENERAL NOTES:

- DO NOT SCALE DRAWINGS.
- COORDINATE AND VERIFY ALL DIMENSIONS WITH ARCHITECTURAL DRAWINGS PRIOR TO COMMENCING CONSTRUCTION.
- SEE ARCHITECTURAL DRAWINGS FOR ELEVATIONS, SLOPES, ROUGH OPENING DIMENSIONS FOR WINDOWS, DOORS, ETC.
- SEE MECHANICAL AND ELECTRICAL DRAWINGS FOR OPENINGS IN FLOORS, ROOF, WALLS, ETC.
- DO NOT CUT OR DRILL OPENINGS IN ANY STRUCTURAL MEMBERS WITHOUT WRITTEN APPROVAL FROM BEACH ROCKE ENGINEERING LTD.
- BEACH ROCKE ENGINEERING LTD. SHALL BE NOTIFIED AT LEAST 48 HOURS IN ADVANCE OF REQUIRED SITE INSPECTIONS. (TEL: 1-204-255-7251, FAX: 1-204-257-7239).
- STRUCTURAL DRAWINGS SHOW THE COMPLETED STRUCTURE. THEY DO NOT SHOW COMPONENTS WHICH MAY BE NECESSARY FOR SAFETY DURING CONSTRUCTION. THE CONTRACTOR IS RESPONSIBLE FOR CONSTRUCTION SITE SAFETY AND TO ENSURE THAT ALL SUBTRADES CONFORM TO THE LATEST REGULATIONS OF THE PROVINCIAL "BUILDING PROTECTION ACT", TO PROVIDE ALL NECESSARY SAFETY EQUIPMENT AS REQUIRED THEREIN AND TO NOTIFY LOCAL AUTHORITIES AS REQUIRED BY LAW.
- THE CONTRACTOR SHALL CONFORM TO THE COLD WEATHER REQUIREMENTS OF THE CSA STANDARD A23.1/A23.2 AND THE NATIONAL BUILDING CODE.
- IT IS THE GENERAL CONTRACTORS RESPONSIBILITY TO LOCATE ALL SITE SERVICES PRIOR TO CONSTRUCTION.
- THE GENERAL CONTRACTOR SHALL DESIGN ALL SHORING, FORM WORK, AND BRACING TO ENSURE PROPER CONSTRUCTION AND ERECTION.
- THE CONTRACTOR SHALL VISIT THE SITE, AND NOTE ALL CHARACTERISTICS AND IRREGULARITIES AFFECTING THE WORK OF THIS SECTION.
- SHOP DRAWINGS NOT STAMPED, SIGNED, AND DATED BY THE CONTRACTOR WILL BE RETURNED AND SHALL BE CONSIDERED REJECTED. SHOP DRAWINGS FOR WORK DESIGNED BY THE CONTRACTOR SHALL BEAR THE SEAL AND SIGNATURE OF A QUALIFIED PROFESSIONAL ENGINEER IN THE PROJECTS PROVINCE.
- THE CONTRACTOR SHALL SUBMIT AT LEAST 3 COPIES OF STAMPED SHOP DRAWINGS FOR ALL PRE-FABRICATED STRUCTURAL ASSEMBLIES, INCLUDING REINFORCING STEEL TO BEACH ROCKE ENGINEERING LTD. FOR REVIEW AND APPROVAL PRIOR TO FABRICATION. ALL SHOP DRAWINGS, EXCEPT REINFORCING STEEL, SHALL BEAR THE SEAL OF AN ENGINEER REGISTERED IN THE PROJECTS PROVINCE.

SLAB-ON-GRADE NOTES:

- ALL SLAB-ON-GRADE WILL EXPERIENCE MOVEMENT AND CRACKING DUE TO HEAVING AND SOIL EXPANSION RESULTING FROM THE NATURE OF THE CLAY SOIL, PREVIOUS AND PRESENT LEVEL OF VEGETATION AT THE SITE, SOIL MOISTURE LEVEL AND CONSTRUCTION PRACTICES. BEACH ROCKE ENGINEERING LTD. ACCEPTS NO LIABILITY FOR THIS CRACKING AND /OR MOVEMENT.

CONCRETE NOTES:

- CONCRETE SHALL BE MANUFACTURED AND PLACED IN ACCORDANCE WITH THE CSA STANDARDS A23.1-09/A23.2-09.
- THE CONTRACTOR SHALL PROVIDE ONE SET OF STANDARD CONCRETE CYLINDER TEST RESULTS CONDUCTED BY AN INDEPENDENT TESTING FIRM FOR EACH DAYS POUR AND AN ADDITIONAL SET OF CYLINDERS FOR EVERY 50 CUBIC METERS POURED AT NO EXTRA COST TO THE OWNER. TEST RESULTS ARE TO BE FORWARDED TO BEACH ROCKE ENGINEERING LTD. IMMEDIATELY UPON RECEIPT FROM THE TESTING FIRM.
- PROVIDE A MINIMUM 150mm (6") VOID UNDER ALL BEAMS, WALLS AND STRUCTURAL SLABS. VOID TO BE SHEARMAT OR APPROVED CARDBOARD VOIDFORM.
- VIBRATE ALL CONCRETE TO ENSURE COMPLETE CONSOLIDATION.
- THE LOCATIONS OF CONSTRUCTION JOINTS IS THE RESPONSIBILITY OF THE CONTRACTOR AND SHALL BE APPROVED BY BEACH ROCKE ENGINEERING LTD.
- WHEN THE OUTSIDE TEMPERATURE FALLS BELOW 5 DEGREES CENTIGRADE, THE CONTRACTOR SHALL CONFORM TO CSA STANDARD A23.1-09/A23.2-09 AND THE NATIONAL BUILDING CODE FOR COLD WEATHER CONCRETING PROCEDURES, AND SHALL RECEIVE WRITTEN APPROVAL FROM BEACH ROCKE ENGINEERING LTD. PRIOR TO COMMENCING CONCRETE CONSTRUCTION.
- PROVIDE $\frac{1}{8}$ " x 1" SAW CUTS AT 20' O.C. BOTH WAYS IN FLOOR SLABS UNLESS OTHERWISE NOTED ON DRAWINGS.
- CONCRETE SHALL CONFORM TO THE FOLLOWING:

NAME	CONC. TYPE	STRENGTH	MAX. AGG.	SLUMP(MAX) AIR	EXPOSURE CLASS
SLABS	TYPE 10	32MPA @ 28 DAYS	20mm	120mm 5-8%	C-2

REINFORCING STEEL NOTES:

- REINFORCING STEEL SHALL BE NEW BILLET DEFORMED BARS MANUFACTURED AND DETAILED IN ACCORDANCE WITH CAN/CSA-G30.18-M92, WITH MINIMUM YIELD STRENGTH AS FOLLOWS: 10M BARS-300MPA, 15M BARS & LARGER - 400MPA.
- REINFORCING STEEL SHALL BE FREE FROM LOOSE RUST, MUD, OIL OR OTHER COATINGS WHICH MAY REDUCE THE BOND OR HARM THE CONCRETE.
- REINFORCING STEEL SHALL BE HELD IN PLACE AND TIED WITH PROPER ACCESSORIES SUCH AS HI-CHAIRS, SPACERS, TIES, ETC. SUPPLIED BY THE REINFORCING STEEL PROVIDER. APPROPRIATE SUPPORT SHALL BE PROVIDED UNDER ALL SUPPORT ACCESSORIES TO ENSURE THAT THE REINFORCING STEEL IS ACCURATELY POSITIONED.
- LAP TOP BARS AT MID-SPAN AND BOTTOM BARS OVER SUPPORTS.
- BEND ALL HORIZONTAL STEEL 18" AROUND CORNERS, OR USE EXTRA 36"x36" CORNER BARS TO MATCH HORIZONTALS.
- PROVIDE 2-15M AROUND ALL SLAB, WALL, & BEAM OPENINGS, UNLESS OTHERWISE NOTED ON STRUCTURAL DRAWINGS.
- CONCRETE COVER TO REINFORCING STEEL SHALL BE AS FOLLOWS:
 - CONCRETE CAST IN DIRECT CONTACT WITH SOIL - 75mm (3")
 - FORMED CONCRETE IN CONTACT WITH SOIL 15M OR SMALLER - 50mm (2")
 - FORMED CONCRETE IN CONTACT WITH SOIL 20M OR LARGER - 40mm (1 1/2")
 - FORMED CONCRETE NOT IN CONTACT WITH SOIL (BEAMS AND COLUMNS) - 40mm (1 1/2")
 - FORMED CONCRETE NOT IN CONTACT WITH SOIL (SLABS AND WALLS) - 20mm (3/4")
- MISCELLANEOUS CONCRETE HOUSEKEEPING PADS AND CURBS SHALL BE REINFORCED WITH A MINIMUM 10M AT 18" O.C. EACH WAY UNLESS NOTED. SEE ARCHITECTURAL, MECHANICAL, AND ELECTRICAL DRAWINGS.

STRUCTURAL STEEL NOTES:

- STRUCTURAL STEEL SHALL BE DESIGNED, FABRICATED AND ERECTED IN ACCORDANCE WITH THE CAN/CSA-S16-09 BY FULLY CERTIFIED MEMBERS OF THE CANADIAN INSTITUTE OF STEEL CONSTRUCTION.
- ALL STRUCTURAL STEEL SHALL CONFORM TO THE CAN/CSA G40.21-350W CLASS C TO SIZES AND SHAPES INDICATED ON THE DRAWINGS. NO SUBSTITUTIONS IN GRADES OR SIZES ARE PERMITTED WITHOUT WRITTEN APPROVAL OF BEACH ROCKE ENGINEERING LTD. ALL ANGLES AND PLATES TO BE G40.21-300W.
- ALL FABRICATION SHALL BE CARRIED OUT IN PLANT FACILITIES CERTIFIED BY THE CANADIAN WELDING BUREAU TO CSA S16-09 AND S136. SITE FABRICATION IS NOT PERMITTED WITHOUT WRITTEN APPROVAL FROM BEACH ROCKE ENGINEERING LTD.
- ALL WELDING SHALL BE PERFORMED IN ACCORDANCE WITH THE CSA W59 BY WELDERS FULLY CERTIFIED FOR STRUCTURAL WELDING BY THE CANADIAN BUREAU TO CSA W47.1. ALL BASE AND CAP PLATES SHALL BE FULLY WELDED TO COLUMNS.
- STRUCTURAL FASTENERS SHALL BE A325 BOLTS. ANCHOR BOLTS SHALL BE 18" L.G. C/W 3"HOOK (A307) UNLESS NOTED OTHERWISE ON STRUCTURAL DRAWINGS. BASE AND CAP PLATES TO BE 3/4" THICK. CAP PLATES TO HAVE MIN. 4 BOLT (A325) CONNECTION UNLESS NOTED OTHERWISE ON STRUCTURAL DRAWINGS.
- PROVIDE TEMPORARY GUYING AND BRACING AS NECESSARY TO PROVIDE STABILITY FOR THE WHOLE STRUCTURE UNTIL DECKING AND PERMANENT BRACING ARE SECURED IN PLACE.
- PROVIDE 3/8" STIFFENER PLATES IN ALL BEAMS CONTINUOUS OVER SUPPORTS. HOLES ARE NOT PERMITTED IN THE TOP FLANGES UNLESS NOTED OTHERWISE ON THE DRAWINGS.
- CLEAN ALL FIELD WELDS AND TOUCH UP WITH PRIMER TO MATCH SHOP COAT - ZINC PAINT
- DESIGN AND FABRICATE CONNECTIONS FOR THE FULL STRENGTH OF THE MEMBER. SPlicing OF MEMBERS IS NOT PERMITTED UNLESS WRITTEN APPROVAL FROM THE DESIGN ENGINEER HAS BEEN PROVIDED.
- ALL STEEL SHALL BE GALVANIZED.
- STRUCTURAL STEEL SUPPLIER SHALL PROVIDE STAMPED SHOP DRAWINGS TO THE DESIGN ENGINEER FOR REVIEW AND APPROVAL PRIOR TO FABRICATION.

STRUCTURAL DRAWING LIST:

- S1 - STRUCTURAL PROJECT NOTES
- S2 - TYP TANK SLAB, BOLLARD AND BASE PLATE DETAILS & ISOMETRIC VIEW OF METAL STAND
- S3 - CONNECTION #1 DETAILS
- S4 - CONNECTION #2 DETAILS
- S5 - TANK #1 - PLAN VIEW OF TANK ON SLAB
- S6 - TANK #1 - ELEVATIONS OF TANK ON SLAB
- S7 - TANK #2 - PLAN VIEW OF TANK ON LOW METAL STAND
- S8 - TANK #2 - ELEVATIONS OF LOW METAL STAND
- S9 - TANK #2 - ELEVATIONS OF LOW METAL STAND
- S10 - TANK #3 - PLAN VIEW OF TANK ON HIGH METAL STAND
- S11 - TANK #3 - ELEVATIONS OF HIGH METAL STAND
- S12 - TANK #3 - ELEVATIONS OF HIGH METAL STAND
- S13 - TANK #4 - PLAN VIEW OF TANK ON LOW DOUBLE METAL STAND
- S14 - TANK #4 - ELEVATIONS OF LOW DOUBLE METAL STAND
- S15 - TANK #4 - ELEVATIONS OF LOW DOUBLE METAL STAND
- S16 - TANK #5 - PLAN VIEW OF TANK ON HIGH DOUBLE METAL STAND
- S17 - TANK #5 - ELEVATIONS OF HIGH DOUBLE METAL STAND
- S18 - TANK #5 - ELEVATIONS OF HIGH DOUBLE METAL STAND



PROJECT TITLE:
RCMP "V" DIVISION OIL TANK REPLACEMENT

SHEET TITLE:
PROJECT NOTES

PROJECT NUMBER:
17-122-CG-39



REV. #	REVISION	DATE (YY MM DD)	REV. BY
03	ISSUED FOR TENDER	17 06 12	RH
02	ISSUED FOR 99% REVIEW	17 05 30	RH
01	ISSUED FOR REVIEW	17 03 31	RH

REV. # | REVISION | DATE (YY MM DD) | REV. BY

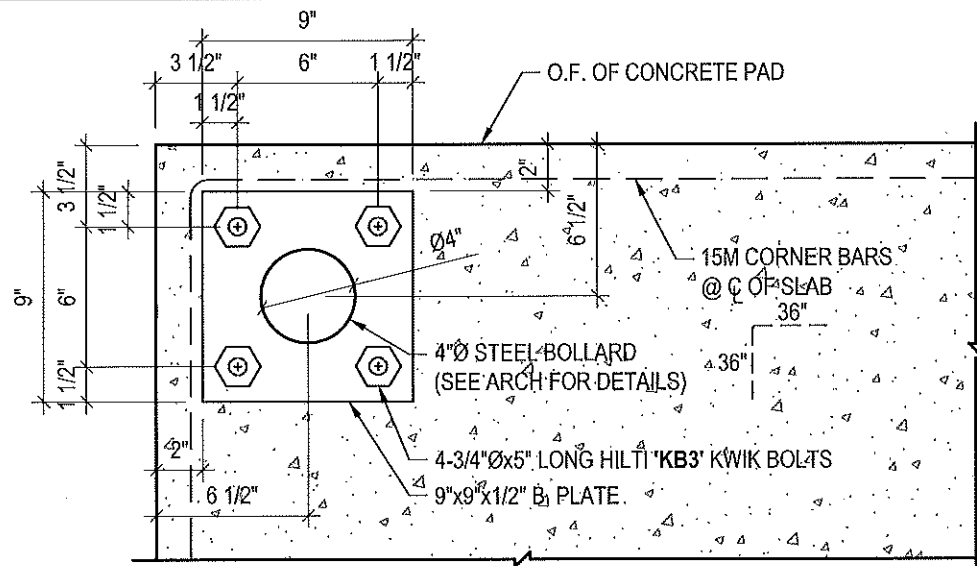
SCALE:
AS NOTED

DATE (YY MM DD):
17 06 12

DRAWING NUMBER:

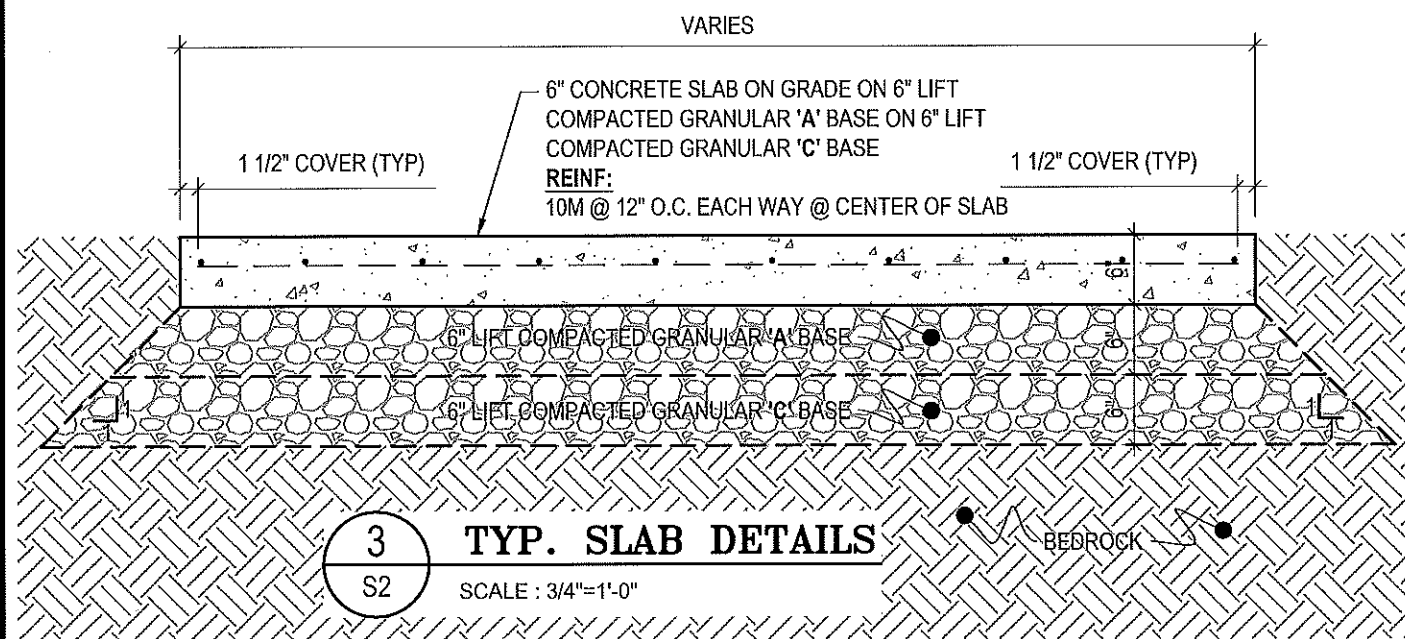
S1

REVISION NUMBER:
00

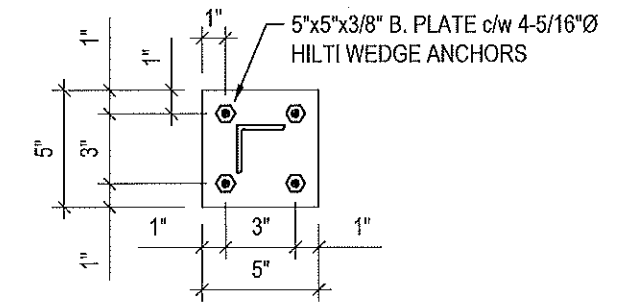


1 TYP BOLLARD BASE PLATE DETAILS
S2 SCALE : 1 1/2"=1'-0"

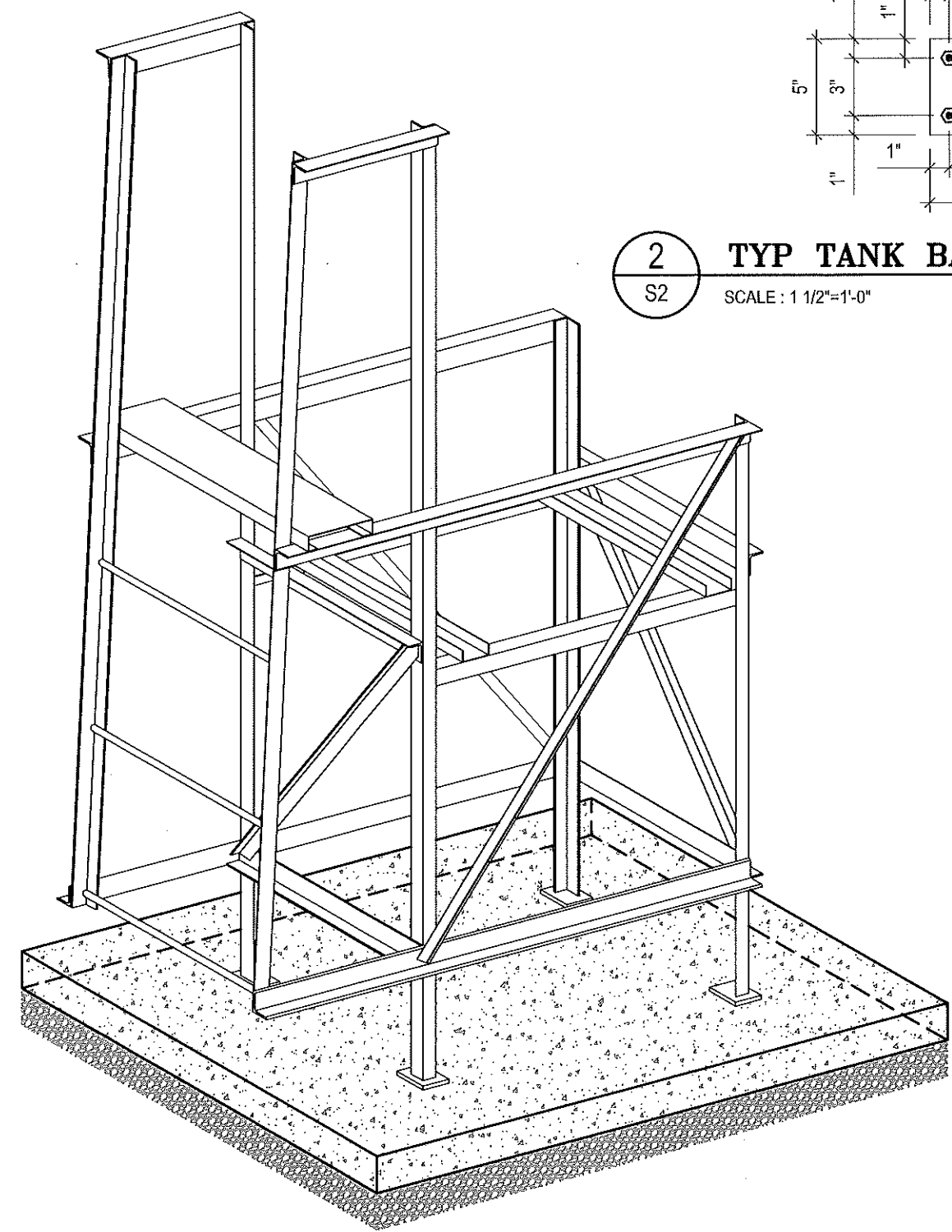
NOTES:
 • ALL STEEL TO BE GALVANIZED (GALV) OR STAINLESS STEEL (SS)
 • CONFIRM ALL DIMENSIONS SHOWN WITH MECH. DRAWINGS



3 TYP. SLAB DETAILS
S2 SCALE : 3/4"=1'-0"



2 TYP TANK BASE PLATE DETAIL
S2 SCALE : 1 1/2"=1'-0"



4 TYP. ISOMETRIC VIEW OF METAL STANDS
S2 NOT TO SCALE



PROJECT TITLE:
RCMP "V" DIVISION OIL TANK REPLACEMENT
 SHEET TITLE:
TYPICAL PROJECT DETAILS
 PROJECT NUMBER:
17-122-CG-39

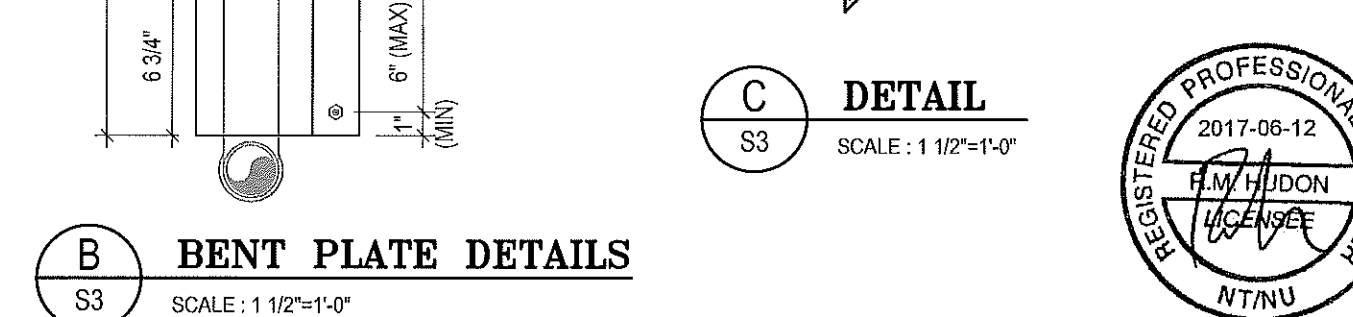
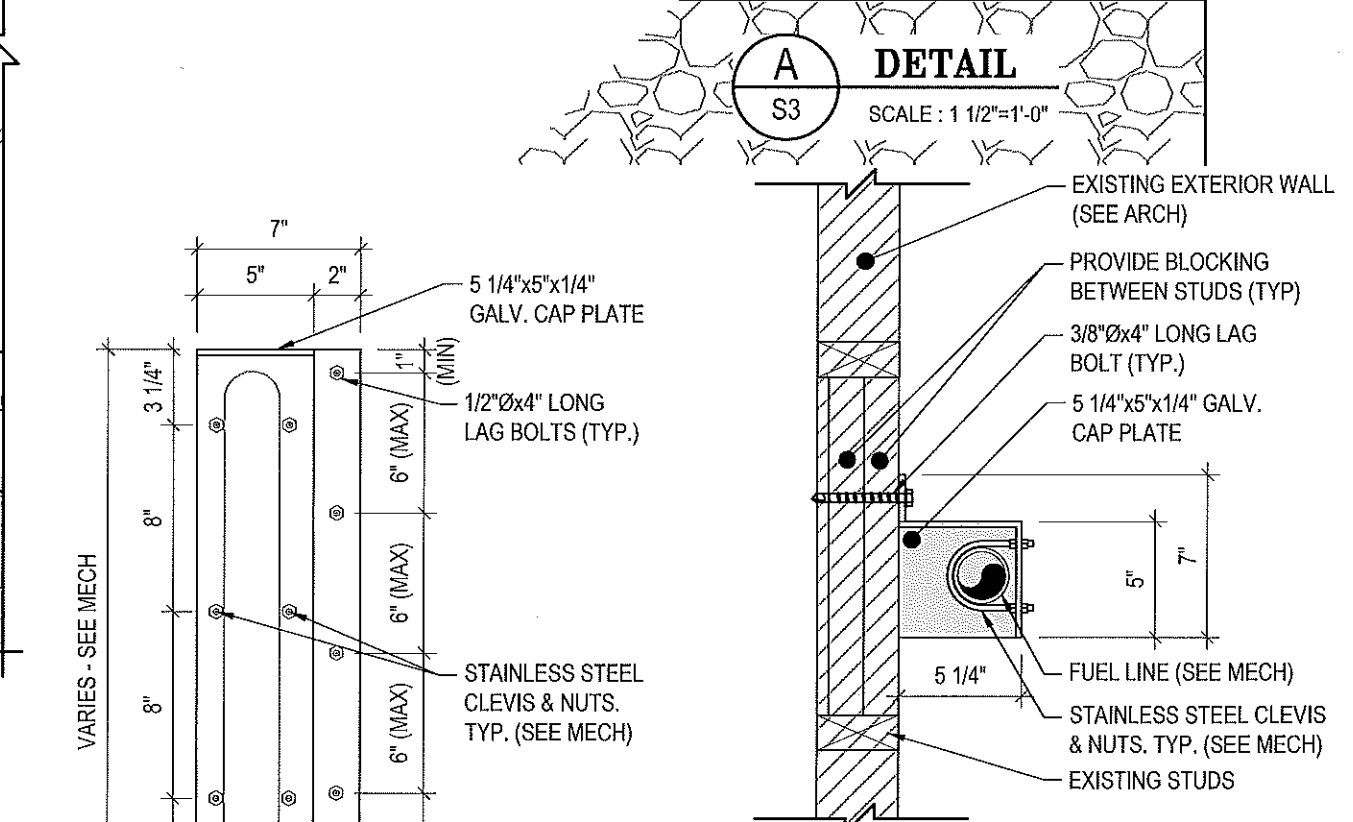
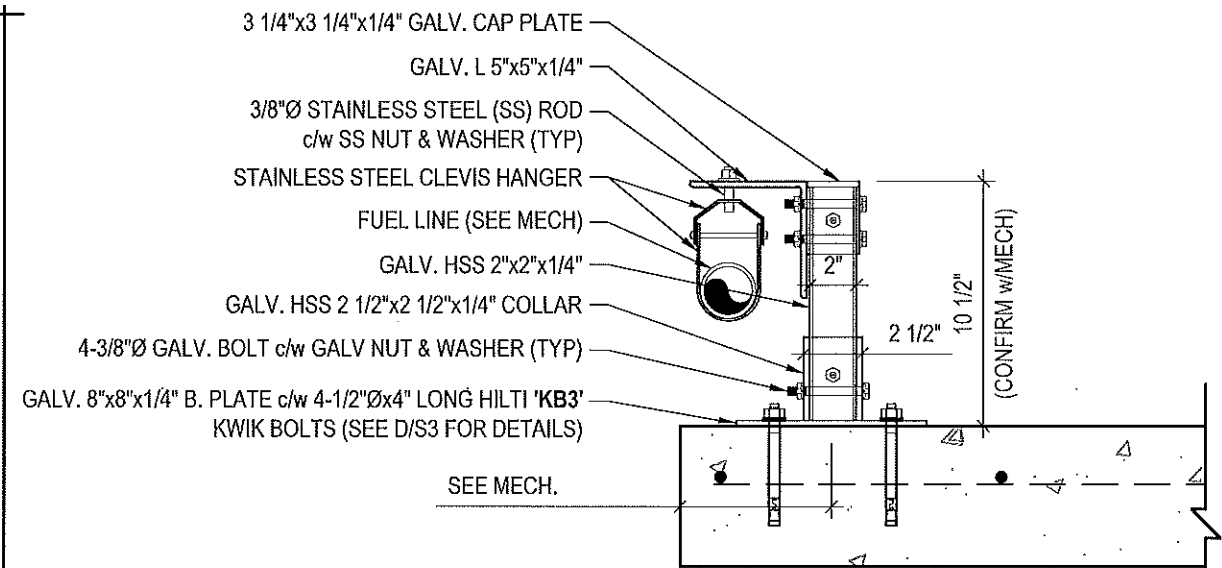
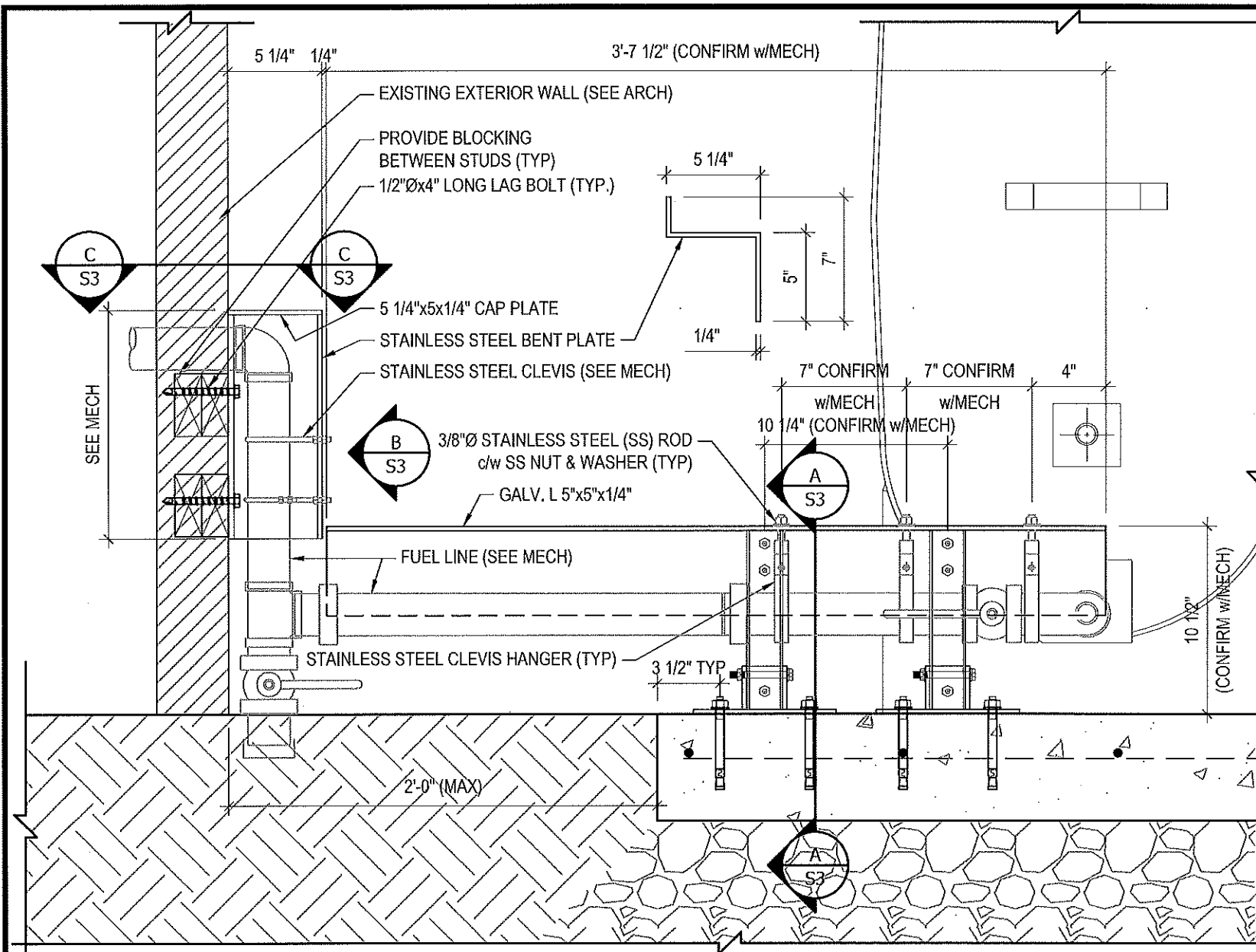


REV. #	REVISION	DATE (YY MM DD)	REV. BY
03	ISSUED FOR TENDER	17 06 12	RH
02	ISSUED FOR 99% REVIEW	17 05 30	RH
01	ISSUED FOR REVIEW	17 03 31	RH

REV. #	REVISION	DATE (YY MM DD)	REV. BY

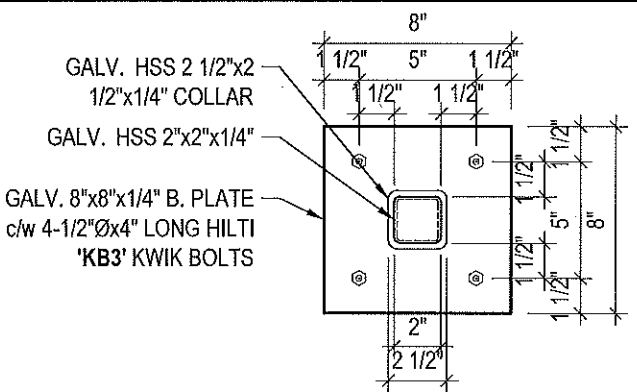
SCALE:
AS NOTED
 DATE (YY MM DD):
17 06 12

DRAWING NUMBER:
S2
 REVISION NUMBER:
00



1 CONNECTION #1 DETAILS
S3 SCALE: 1 1/2"=1'-0"

NOTES:
 • ALL STEEL TO BE GALVANIZED (GALV) OR STAINLESS STEEL (SS)
 • CONFIRM ALL DIMENSIONS SHOWN WITH MECH. DRAWINGS



D BASE PLATE DETAILS
S3 SCALE: 1 1/2"=1'-0"

B BENT PLATE DETAILS
S3 SCALE: 1 1/2"=1'-0"

C DETAIL
S3 SCALE: 1 1/2"=1'-0"



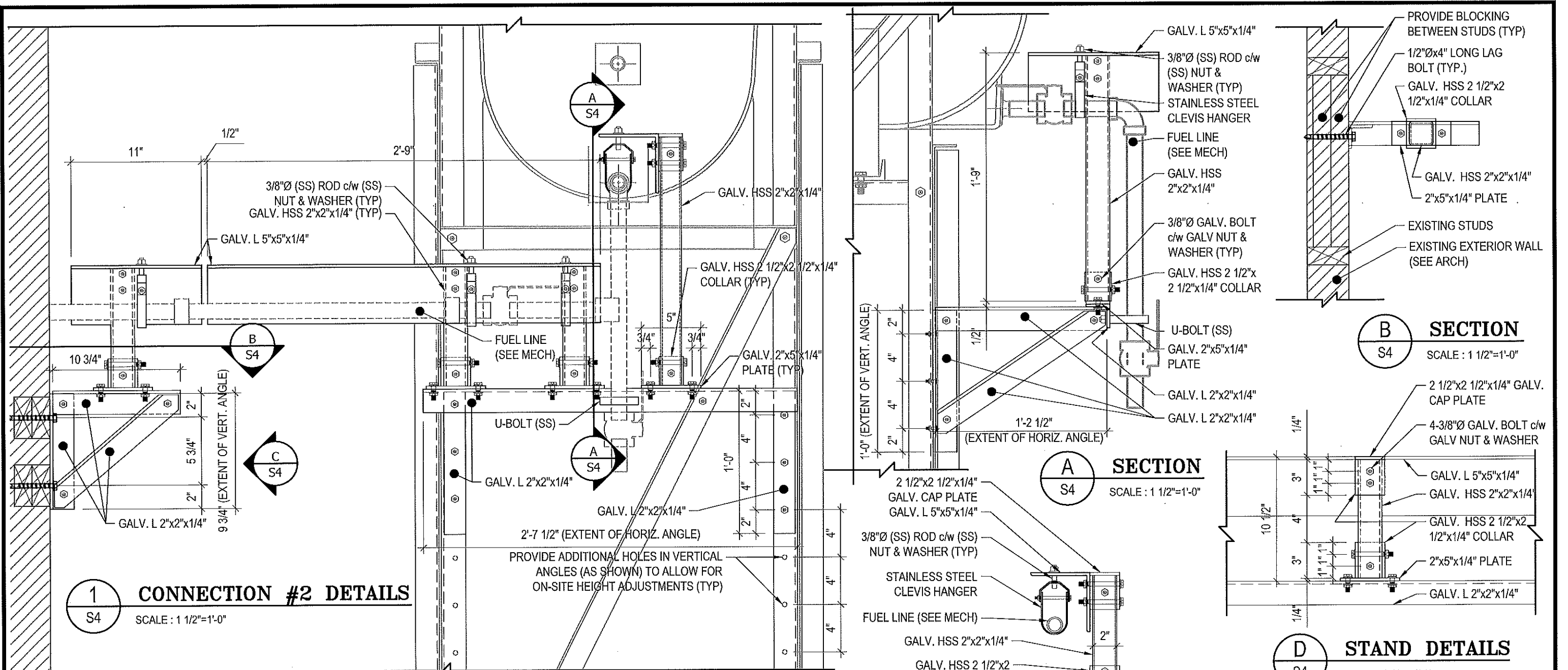
PROJECT TITLE:
RCMP "V" DIVISION OIL TANK REPLACEMENT
 SHEET TITLE:
CONNECTION #1 DETAILS
 PROJECT NUMBER:
17-122-CG-39



03	ISSUED FOR TENDER	17 06 12	RH
02	ISSUED FOR 99% REVIEW	17 05 30	RH
01	ISSUED FOR REVIEW	17 03 31	RH
REV. #	REVISION	DATE (YY MM DD)	REV. BY

REV. #	REVISION	DATE (YY MM DD)	REV. BY
--------	----------	-----------------	---------

SCALE:
AS NOTED
 DATE (YY MM DD):
17 06 12
 DRAWING NUMBER:
S3
 REVISION NUMBER:
00



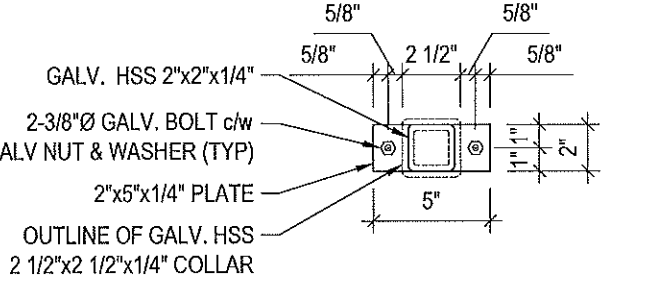
1 CONNECTION #2 DETAILS
S4 SCALE: 1 1/2"=1'-0"

A SECTION
S4 SCALE: 1 1/2"=1'-0"

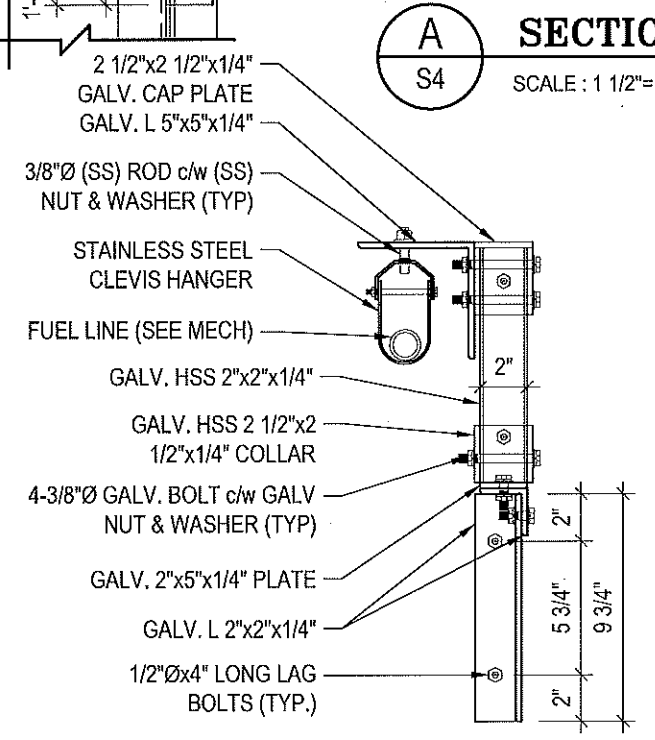
B SECTION
S4 SCALE: 1 1/2"=1'-0"

D STAND DETAILS
S4 SCALE: 1 1/2"=1'-0"

NOTES:
 • ALL STEEL TO BE GALVANIZED (GALV) OR STAINLESS STEEL (SS)
 • CONFIRM ALL DIMENSIONS SHOWN WITH MECH. DRAWINGS



E STAND PLATE DETAILS
S4 SCALE: 1 1/2"=1'-0"



C ELEVATION
S4 SCALE: 1 1/2"=1'-0"



PROJECT TITLE:
RCMP "V" DIVISION OIL TANK REPLACEMENT
SHEET TITLE:
CONNECTION #2 DETAILS
PROJECT NUMBER:
17-122-CG-39



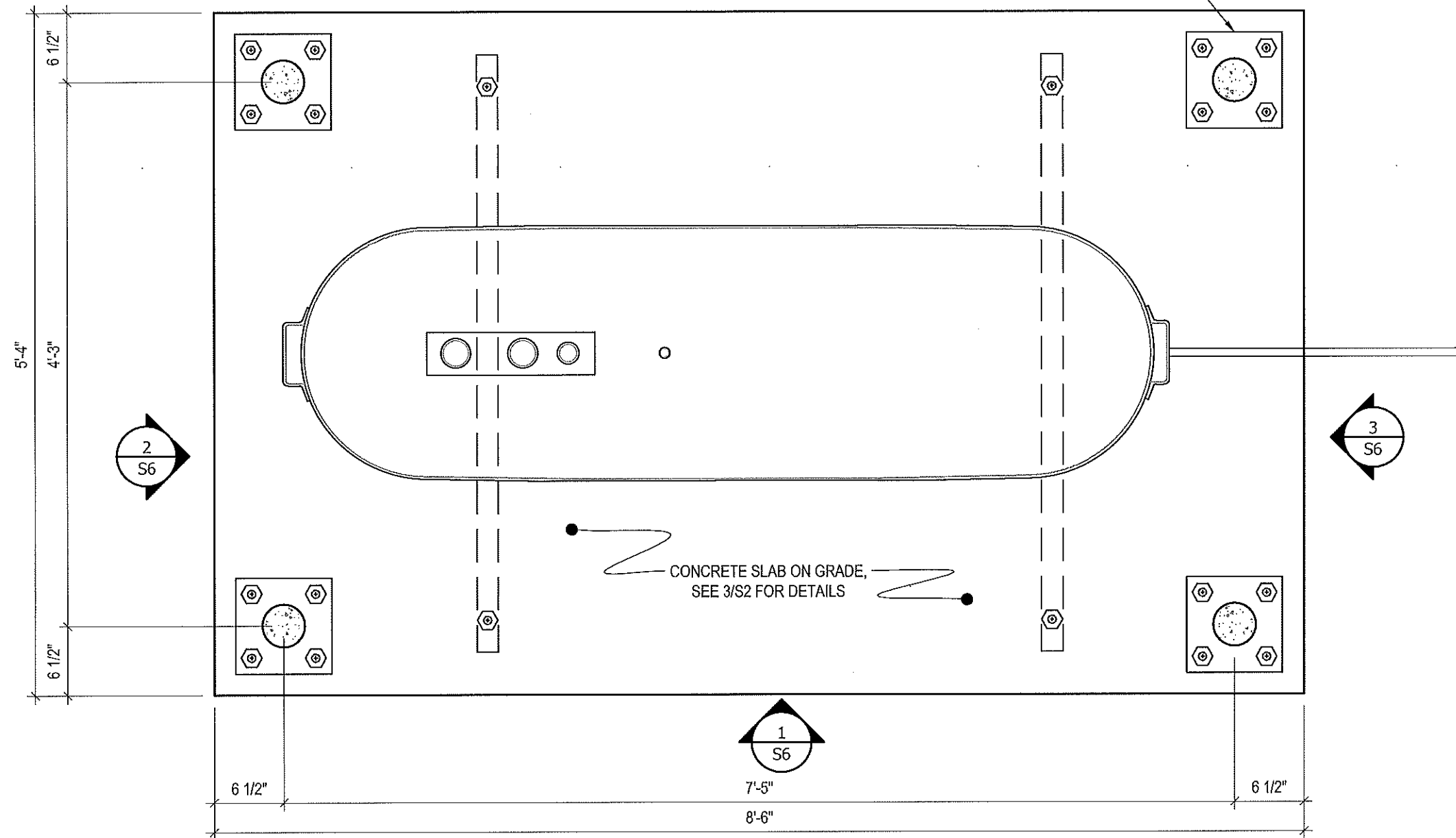
03	ISSUED FOR TENDER	17 06 12	RH
02	ISSUED FOR 99% REVIEW	17 05 30	RH
01	ISSUED FOR REVIEW	17 03 31	RH
REV. #	REVISION	DATE (YY MM DD)	REV. BY

REV. #	REVISION	DATE (YY MM DD)	REV. BY
--------	----------	-----------------	---------

SCALE:
AS NOTED
DATE (YY MM DD):
17 06 12

DRAWING NUMBER:
S4
REVISION NUMBER:
00

CONCRETE BOLLARD BASE PLATE. SEE 1/S2 FOR STRUCTURAL DETAILS, SEE MECHANICAL DRAWINGS FOR LOCATION AND NUMBER OF BOLLARDS REQUIRED FOR EACH CONCRETE PAD BASE



1 PLAN VIEW - TANK #1
S5 SCALE: 1"=1'-0"



PROJECT TITLE:
RCMP "V" DIVISION OIL TANK REPLACEMENT
SHEET TITLE:
TANK #1 - PLAN VIEW
PROJECT NUMBER:
17-122-CG-39

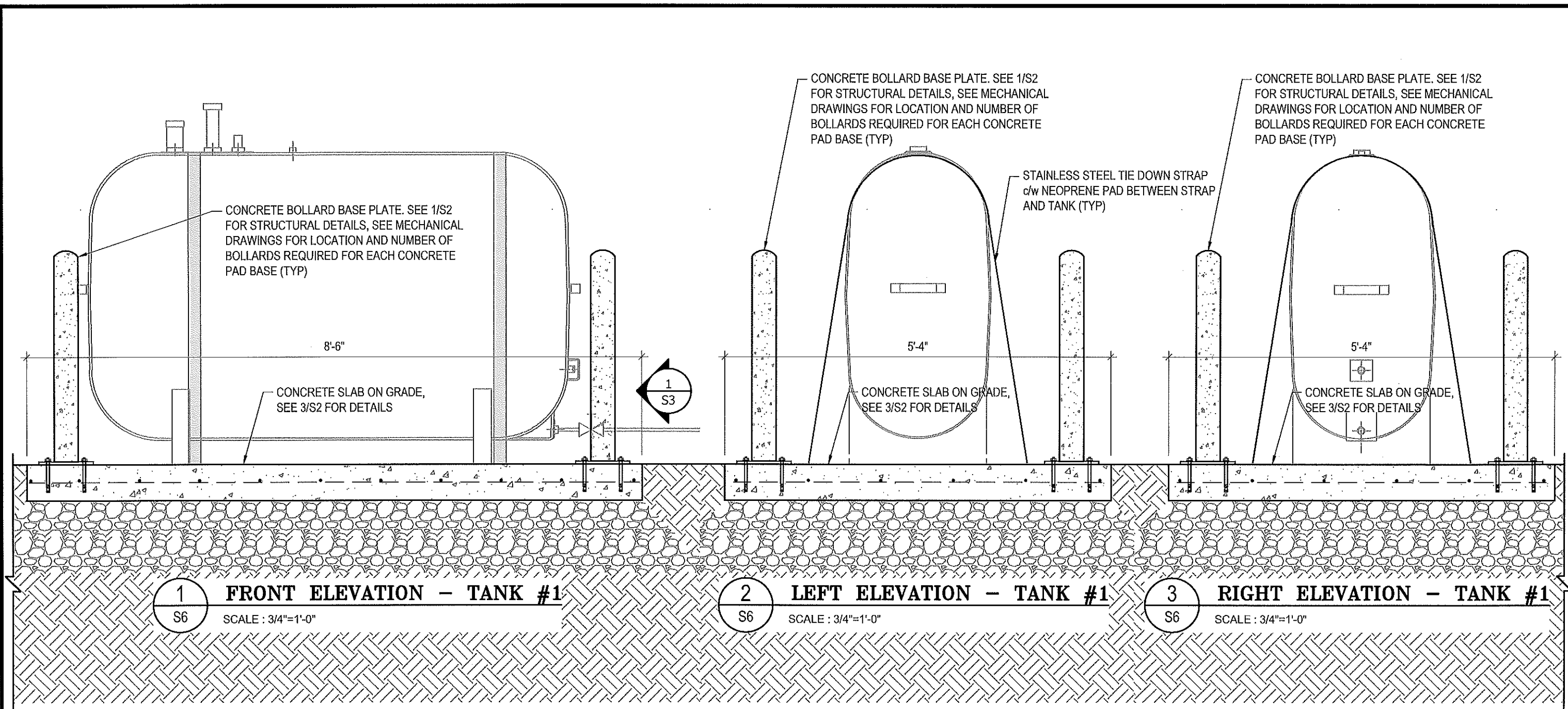


REV. #	REVISION	DATE (YY MM DD)	REV. BY
03	ISSUED FOR TENDER	17 06 12	RH
02	ISSUED FOR 99% REVIEW	17 05 30	RH
01	ISSUED FOR REVIEW	17 03 31	RH

REV. #	REVISION	DATE (YY MM DD)	REV. BY

SCALE:
AS NOTED
DATE (YY MM DD):
17 06 12

DRAWING NUMBER:
S5
REVISION NUMBER:
00



1 FRONT ELEVATION - TANK #1
S6 SCALE : 3/4"=1'-0"

2 LEFT ELEVATION - TANK #1
S6 SCALE : 3/4"=1'-0"

3 RIGHT ELEVATION - TANK #1
S6 SCALE : 3/4"=1'-0"



PROJECT TITLE:
RCMP "V" DIVISION OIL TANK REPLACEMENT

SHEET TITLE:
TANK #1 - ELEVATIONS

PROJECT NUMBER:
17-122-CG-39



03	ISSUED FOR TENDER	17 06 12	RH
02	ISSUED FOR 99% REVIEW	17 05 30	RH
01	ISSUED FOR REVIEW	17 03 31	RH
REV. #	REVISION	DATE (YY MM DD)	REV. BY

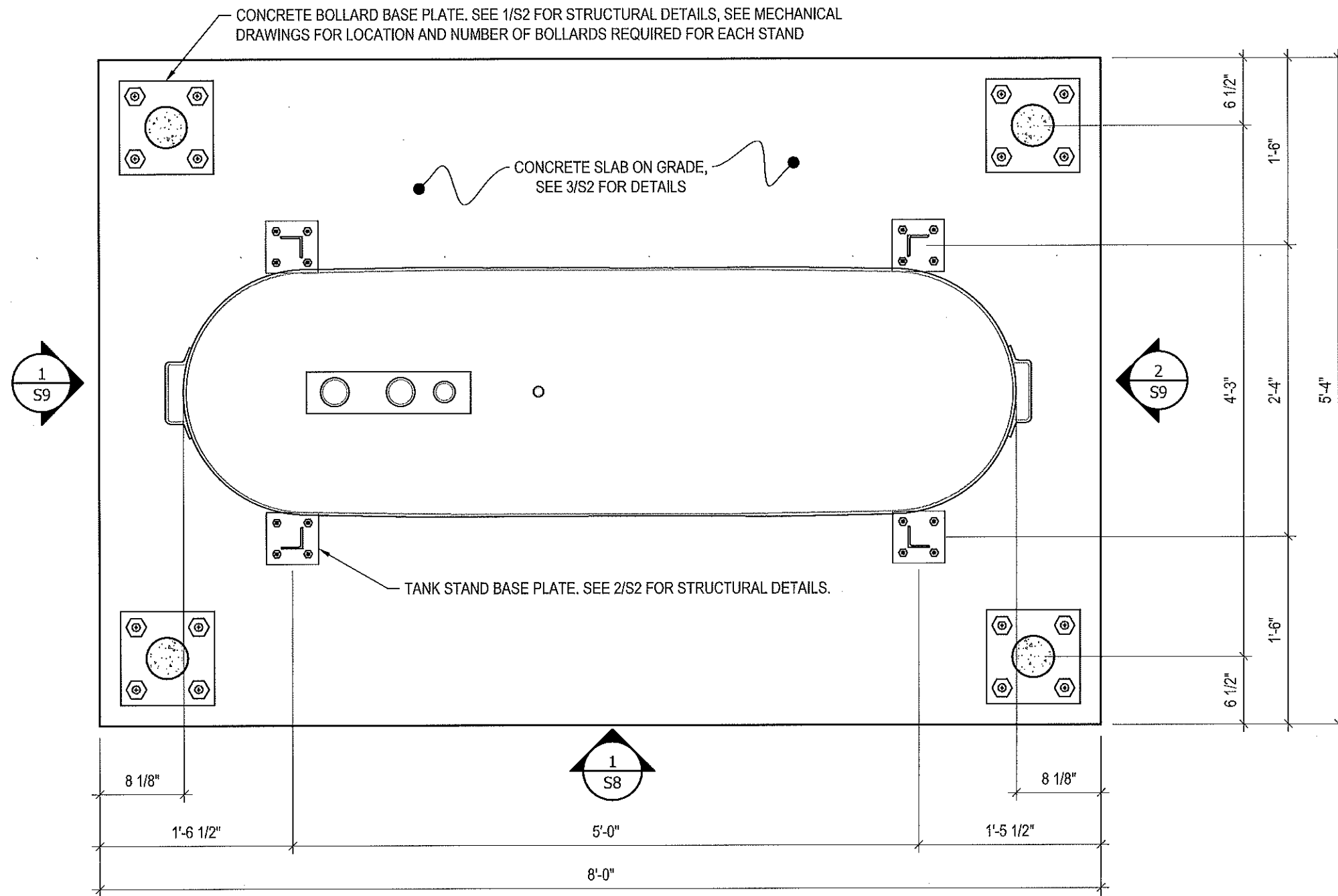
REV. #	REVISION	DATE (YY MM DD)	REV. BY
--------	----------	-----------------	---------

SCALE:
AS NOTED

DATE (YY MM DD):
17 06 12

DRAWING NUMBER:
S6

REVISION NUMBER:
00



1 PLAN VIEW - TANK #2
 S7 SCALE : 1"=1'-0"



PROJECT TITLE:
RCMP "V" DIVISION OIL TANK REPLACEMENT
 SHEET TITLE:
TANK #2 - PLAN VIEW
 PROJECT NUMBER:
17-122-CG-39



REV. #	REVISION	DATE (YY MM DD)	REV. BY
03	ISSUED FOR TENDER	17 06 12	RH
02	ISSUED FOR 99% REVIEW	17 05 30	RH
01	ISSUED FOR REVIEW	17 03 31	RH

REV. #	REVISION	DATE (YY MM DD)	REV. BY
--------	----------	-----------------	---------

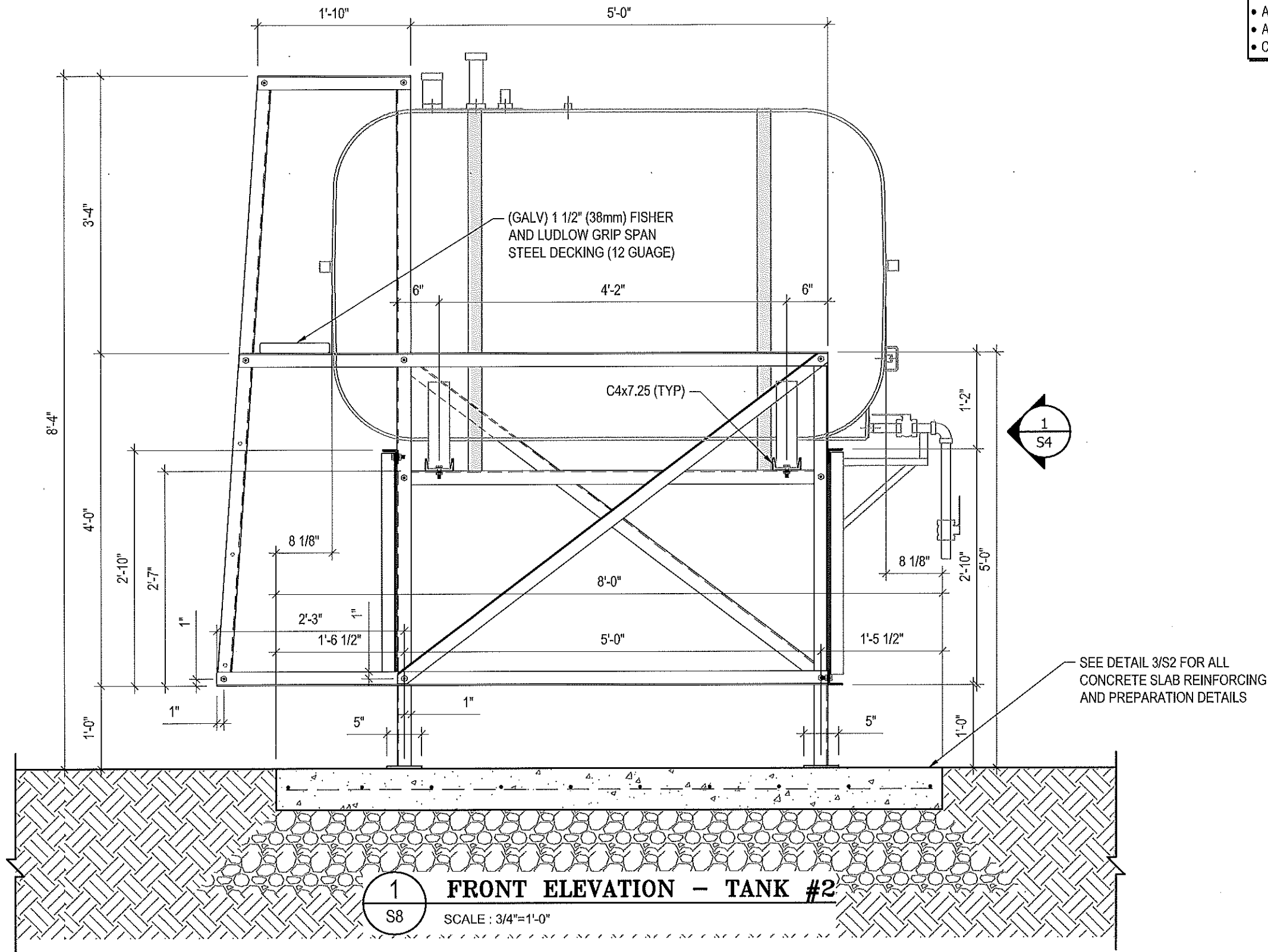
SCALE:
AS NOTED
 DATE (YY MM DD):
17 06 12

DRAWING NUMBER:

S7

REVISION NUMBER:
00

- NOTES:**
- ALL STEEL TO BE GALVANIZED (GALV) OR STAINLESS STEEL (SS)
 - ALL ANGLES SHOWN ARE L2"x2"x3/16" (U/N/O)
 - ALL BOLTS SHOWN ARE 1/2"x2" LONG (U/N/O)
 - CONFIRM ALL DIMENSIONS SHOWN WITH MECH. DRAWINGS



1
S8
FRONT ELEVATION - TANK #2
SCALE: 3/4"=1'-0"



PROJECT TITLE:
RCMP "V" DIVISION OIL TANK REPLACEMENT
SHEET TITLE:
TANK #2 - ELEVATIONS
PROJECT NUMBER:
17-122-CG-39



REV. #	REVISION	DATE (YY MM DD)	REV. BY
03	ISSUED FOR TENDER	17 06 12	RH
02	ISSUED FOR 99% REVIEW	17 05 30	RH
01	ISSUED FOR REVIEW	17 03 31	RH

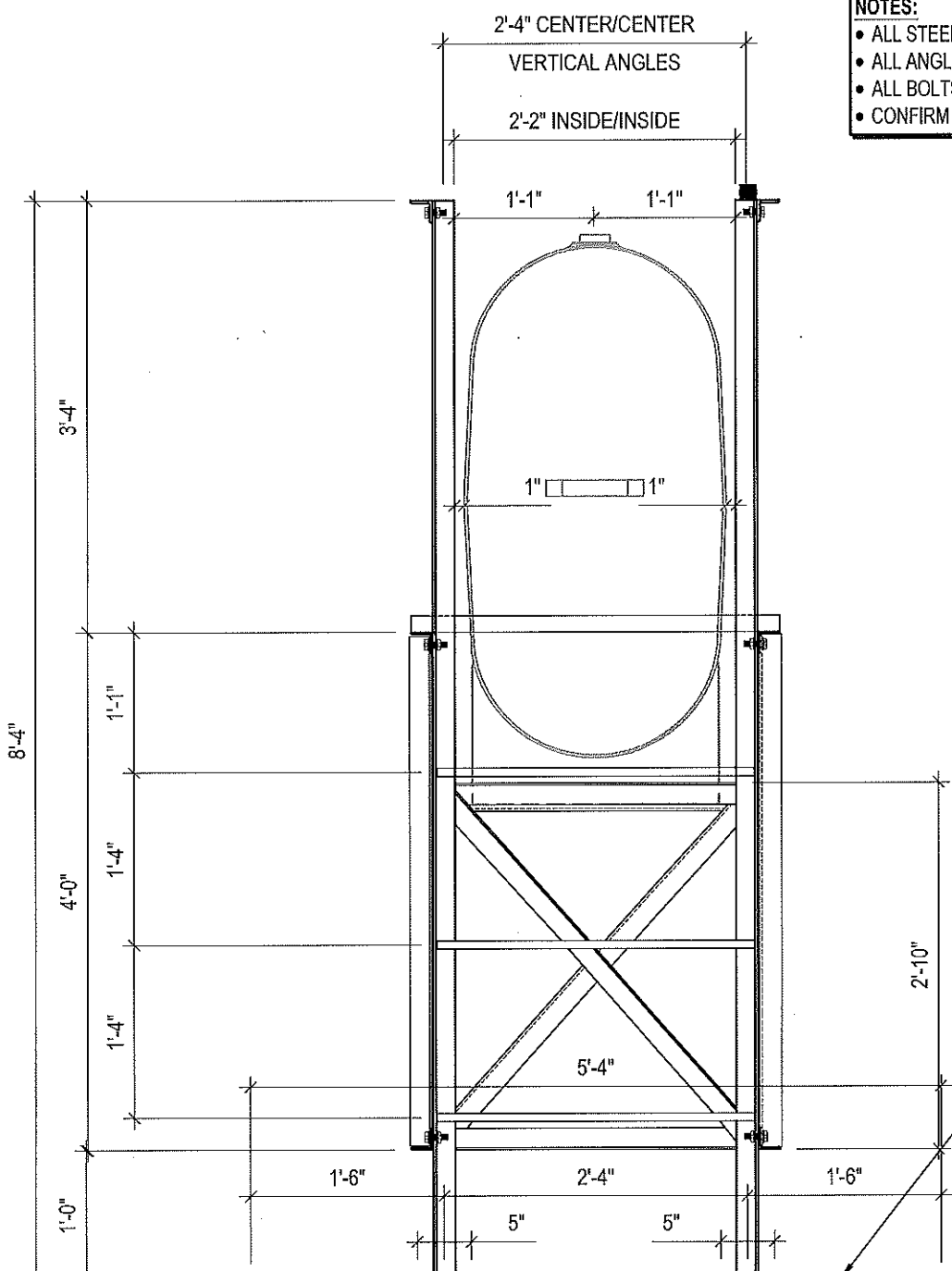
REV. #	REVISION	DATE (YY MM DD)	REV. BY

SCALE:
AS NOTED
DATE (YY MM DD):
17 06 12

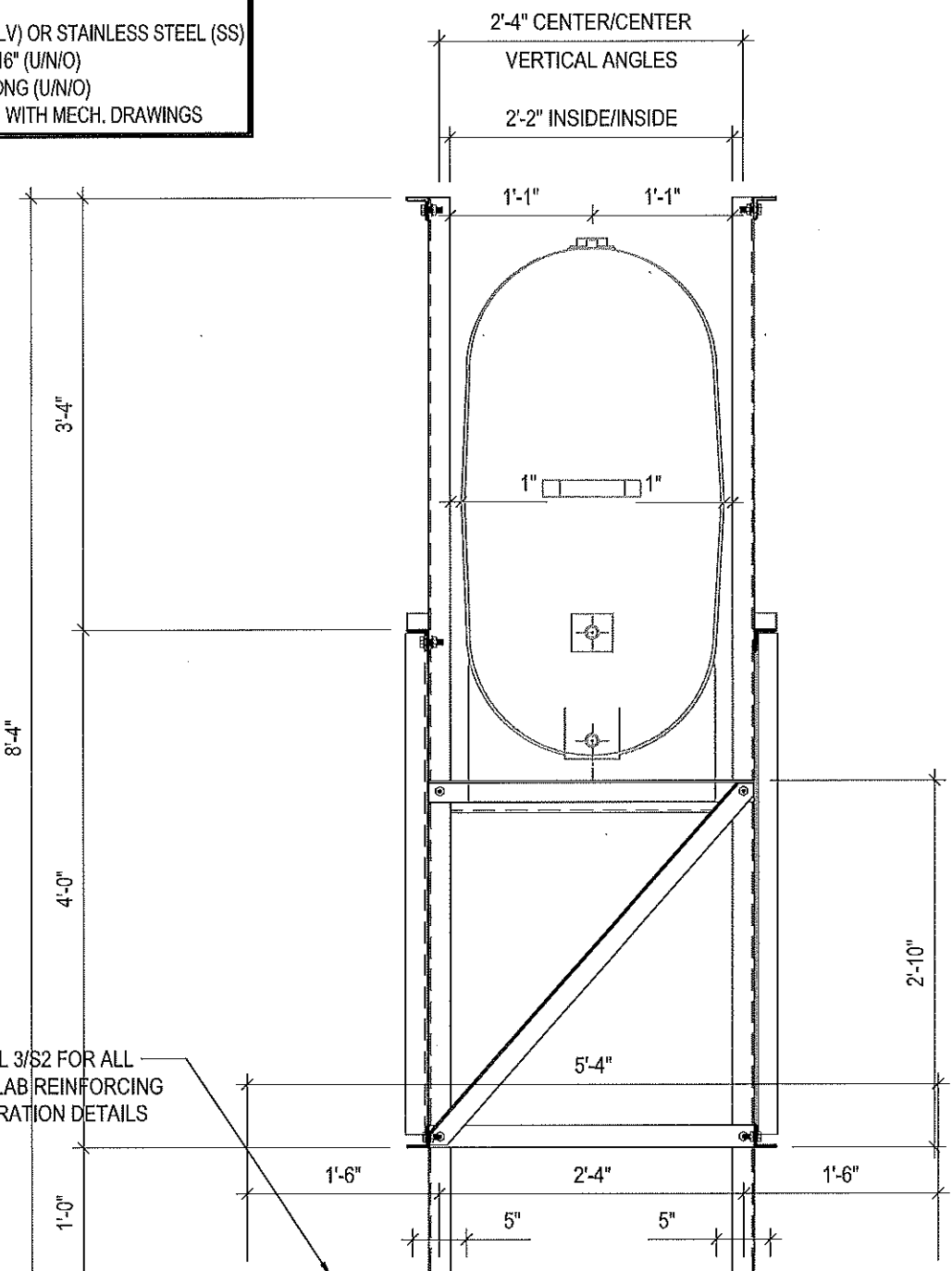
DRAWING NUMBER:
S8
REVISION NUMBER:
00

NOTES:

- ALL STEEL TO BE GALVANIZED (GALV) OR STAINLESS STEEL (SS)
- ALL ANGLES SHOWN ARE L2"x2"x3/16" (U/N/O)
- ALL BOLTS SHOWN ARE 1/2"Øx2" LONG (U/N/O)
- CONFIRM ALL DIMENSIONS SHOWN WITH MECH. DRAWINGS



1 LEFT ELEVATION - TANK #2
 S9 SCALE : 3/4"=1'-0"



2 RIGHT ELEVATION - TANK #2
 S9 SCALE : 3/4"=1'-0"



PROJECT TITLE:
RCMP "V" DIVISION OIL TANK REPLACEMENT

SHEET TITLE:
TANK #2 - ELEVATIONS

PROJECT NUMBER:
17-122-CG-39



03	ISSUED FOR TENDER	17 06 12	RH
02	ISSUED FOR 99% REVIEW	17 05 30	RH
01	ISSUED FOR REVIEW	17 03 31	RH
REV. #	REVISION	DATE (YY MM DD)	REV. BY

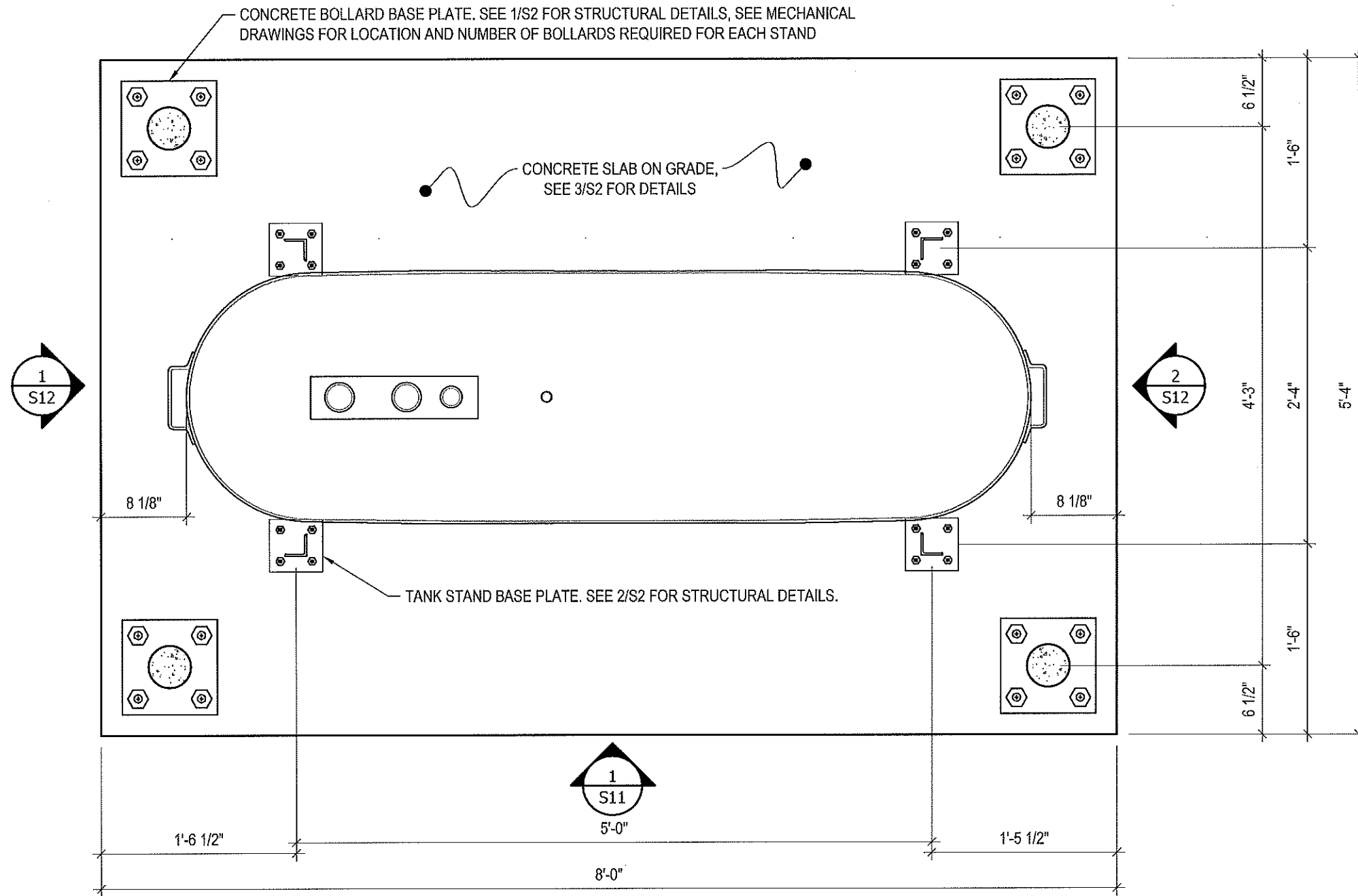
REV. #	REVISION	DATE (YY MM DD)	REV. BY
--------	----------	-----------------	---------

SCALE:
AS NOTED

DATE (YY MM DD):
17 06 12

DRAWING NUMBER:
S9

REVISION NUMBER:
00



1 PLAN VIEW - TANK #3
 S10 SCALE : 1"=1'-0"



PROJECT TITLE:
RCMP "V" DIVISION OIL TANK REPLACEMENT

SHEET TITLE:
TANK #3 - PLAN VIEW

PROJECT NUMBER:
17-122-CG-39



REV. #	REVISION	DATE (YY MM DD)	REV. BY
03	ISSUED FOR TENDER	17 06 12	RH
02	ISSUED FOR 99% REVIEW	17 05 30	RH
01	ISSUED FOR REVIEW	17 03 31	RH

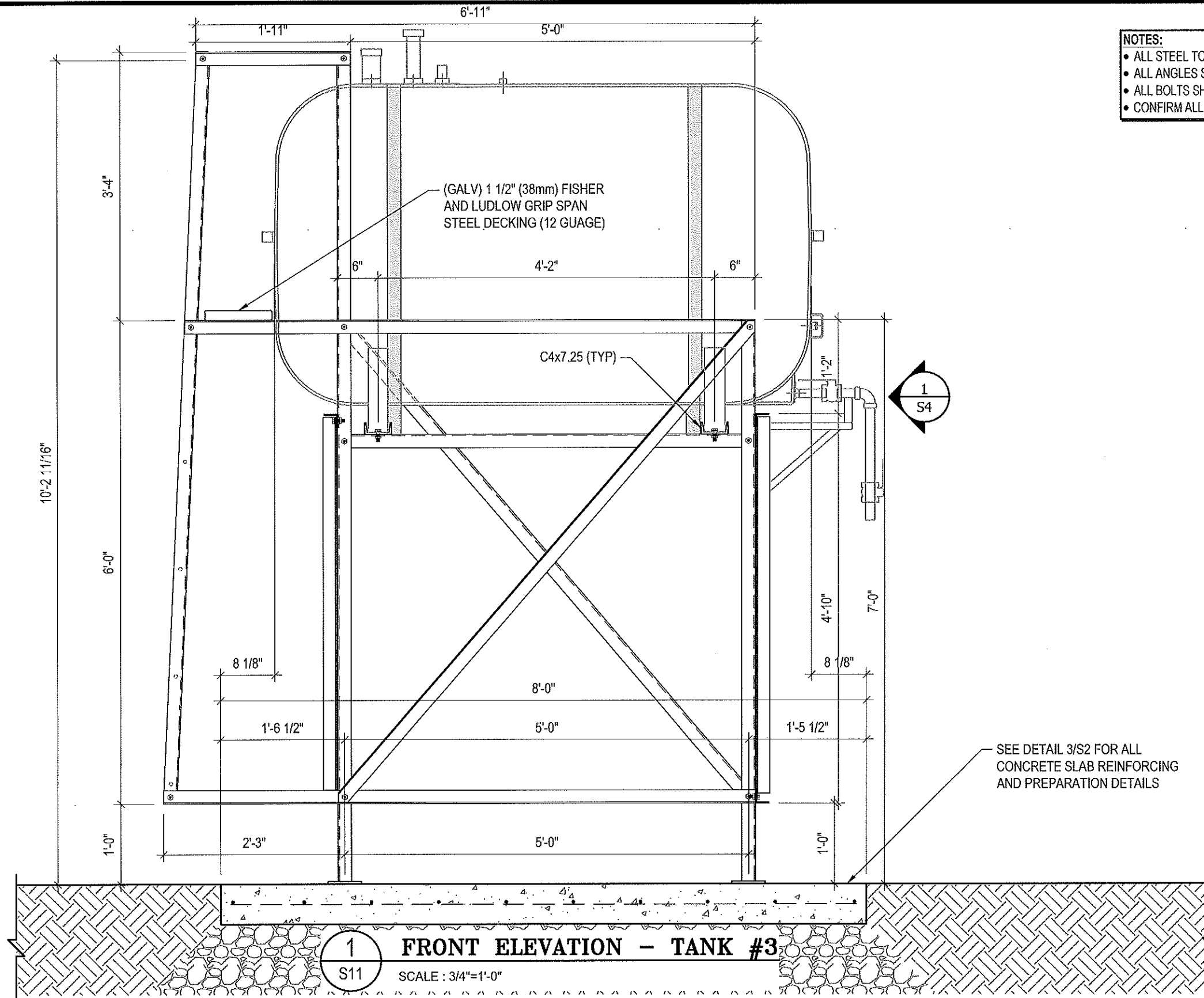
REV. #	REVISION	DATE (YY MM DD)	REV. BY
--------	----------	-----------------	---------

SCALE:
AS NOTED

DATE (YY MM DD):
17 06 12

DRAWING NUMBER:
S10

REVISION NUMBER:
00



- NOTES:**
- ALL STEEL TO BE GALVANIZED (GALV) OR STAINLESS STEEL (SS)
 - ALL ANGLES SHOWN ARE L2"x2"x3/16" (U/N/O)
 - ALL BOLTS SHOWN ARE 1/2"Øx2" LONG (U/N/O)
 - CONFIRM ALL DIMENSIONS SHOWN WITH MECH. DRAWINGS

SEE DETAIL 3/S2 FOR ALL CONCRETE SLAB REINFORCING AND PREPARATION DETAILS

1 FRONT ELEVATION - TANK #3
 S11 SCALE: 3/4"=1'-0"



PROJECT TITLE:
RCMP "V" DIVISION OIL TANK REPLACEMENT

SHEET TITLE:
TANK #3 - ELEVATIONS

PROJECT NUMBER:
17-122-CG-39



03	ISSUED FOR TENDER	17 06 12	RH
02	ISSUED FOR 99% REVIEW	17 05 30	RH
01	ISSUED FOR REVIEW	17 03 31	RH
REV. #	REVISION	DATE (YY MM DD)	REV. BY

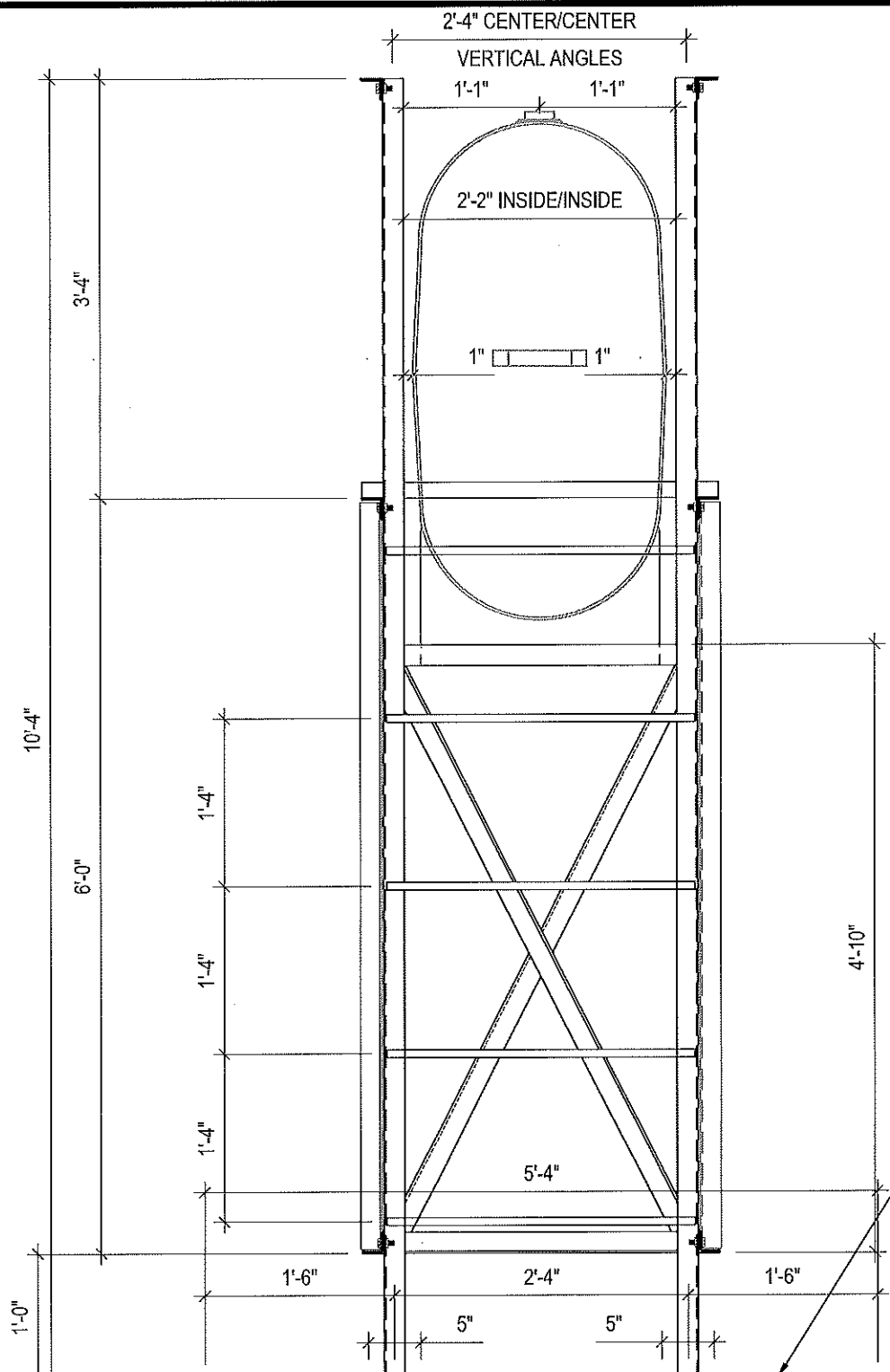
REV. #	REVISION	DATE (YY MM DD)	REV. BY
--------	----------	-----------------	---------

SCALE:
AS NOTED

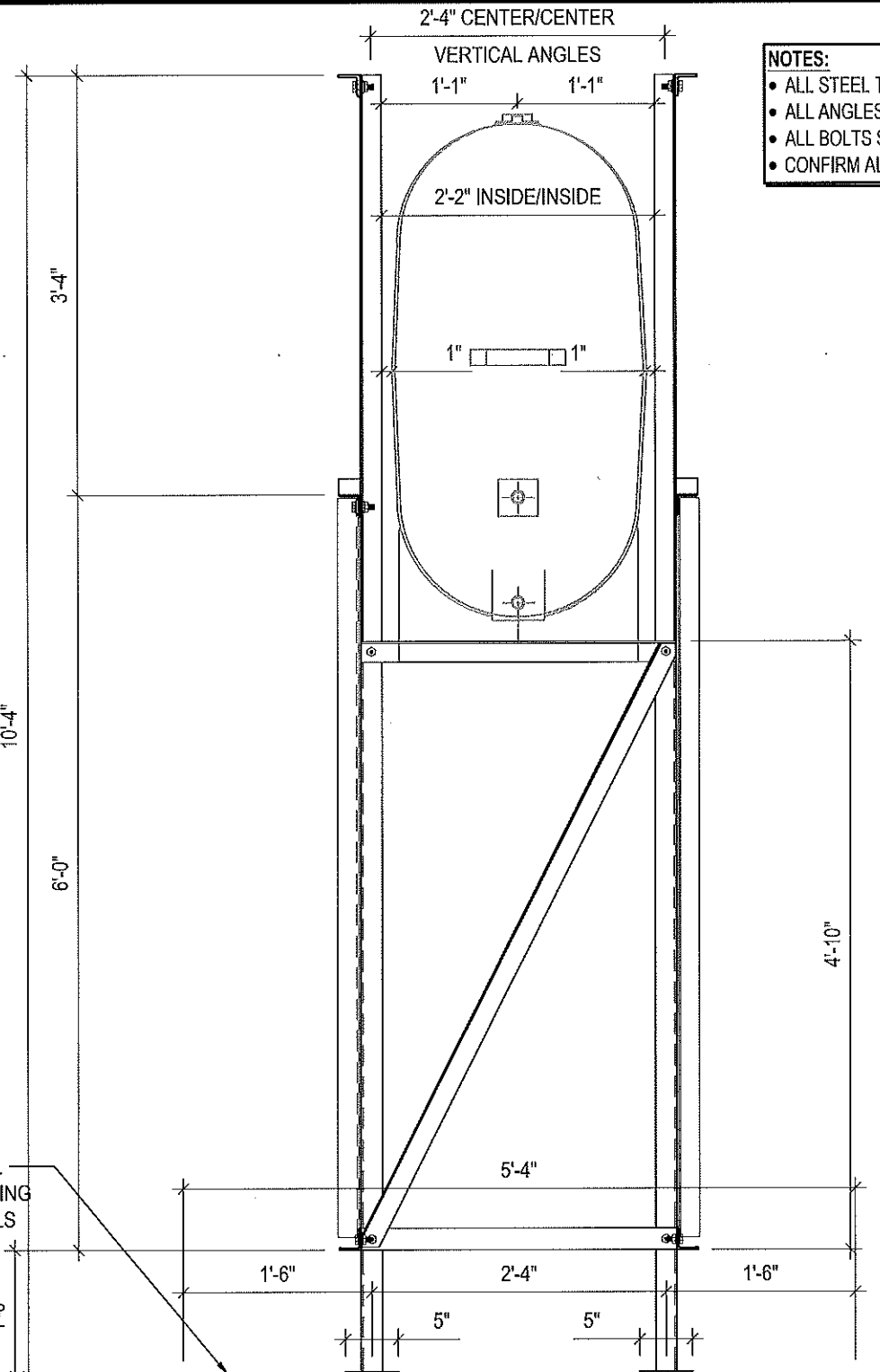
DATE (YY MM DD):
17 06 12

DRAWING NUMBER:
S11

REVISION NUMBER:
00



SEE DETAIL 3/S2 FOR ALL
CONCRETE SLAB REINFORCING
AND PREPARATION DETAILS



- NOTES:**
- ALL STEEL TO BE GALVANIZED (GALV) OR STAINLESS STEEL (SS)
 - ALL ANGLES SHOWN ARE L2"x2"x3/16" (U/N/O)
 - ALL BOLTS SHOWN ARE 1/2"Øx2" LONG (U/N/O)
 - CONFIRM ALL DIMENSIONS SHOWN WITH MECH. DRAWINGS

1 LEFT ELEVATION - TANK #3
S12 SCALE: 3/4"=1'-0"

2 RIGHT ELEVATION - TANK #3
S12 SCALE: 3/4"=1'-0"



PROJECT TITLE:
RCMP "V" DIVISION OIL TANK REPLACEMENT

SHEET TITLE:
TANK #3 - ELEVATIONS

PROJECT NUMBER:
17-122-CG-39



03	ISSUED FOR TENDER	17 06 12	RH
02	ISSUED FOR 99% REVIEW	17 05 30	RH
01	ISSUED FOR REVIEW	17 03 31	RH
REV. #	REVISION	DATE (YY MM DD)	REV. BY

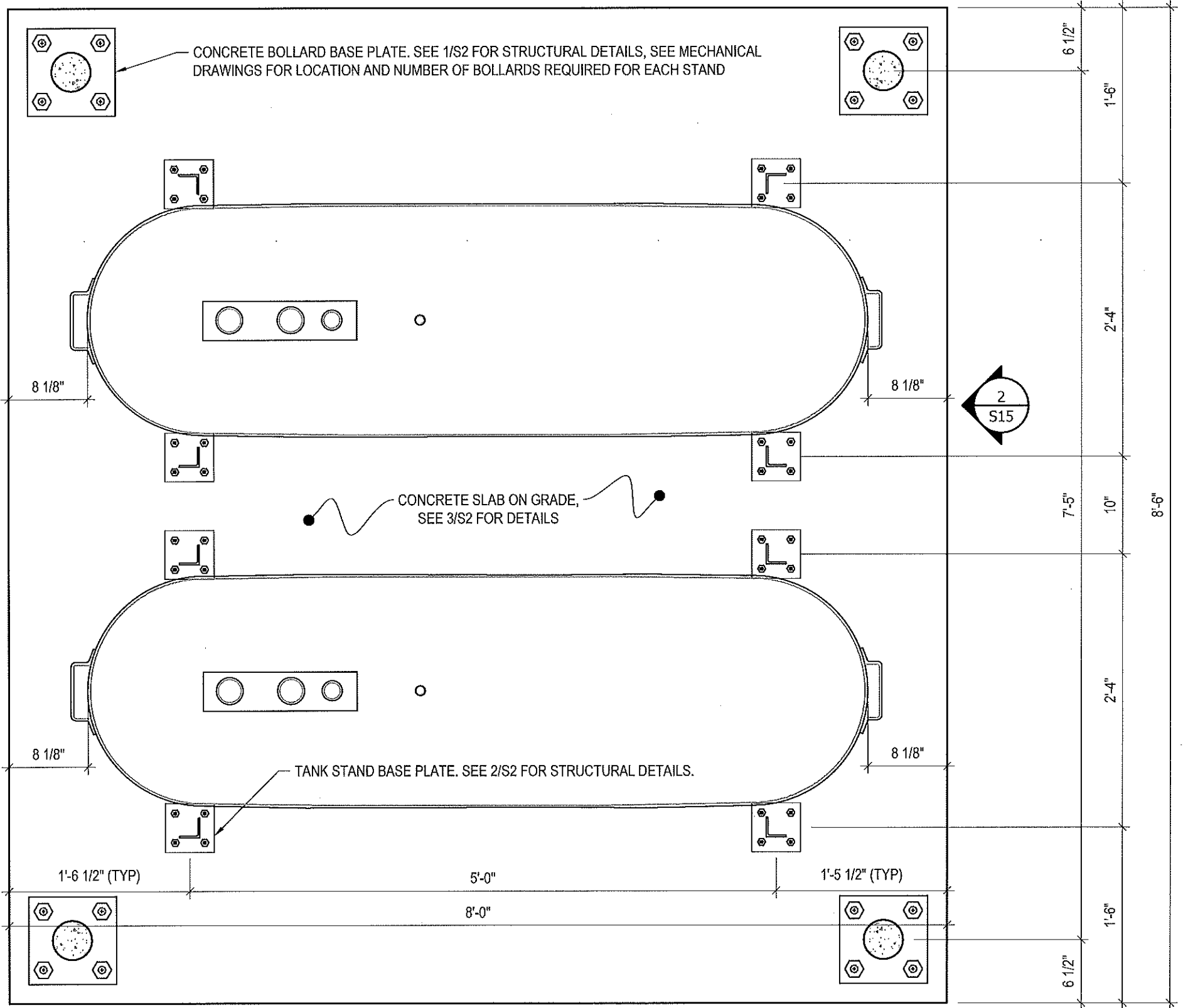
REV. #	REVISION	DATE (YY MM DD)	REV. BY
--------	----------	-----------------	---------

SCALE:
AS NOTED

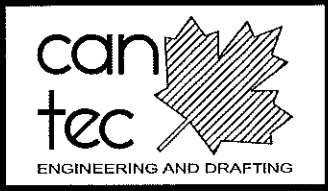
DATE (YY MM DD):
17 06 12

DRAWING NUMBER:
S12

REVISION NUMBER:
00



1 PLAN VIEW - TANK #4
 S13 SCALE: 1"=1'-0"
 1 S14



PROJECT TITLE:
RCMP "V" DIVISION OIL TANK REPLACEMENT

SHEET TITLE:
TANK #4 - PLAN VIEW

PROJECT NUMBER:
17-122-CG-39



REV. #	REVISION	DATE (YY MM DD)	REV. BY
03	ISSUED FOR TENDER	17 06 12	RH
02	ISSUED FOR 99% REVIEW	17 05 30	RH
01	ISSUED FOR REVIEW	17 03 31	RH

REV. #	REVISION	DATE (YY MM DD)	REV. BY

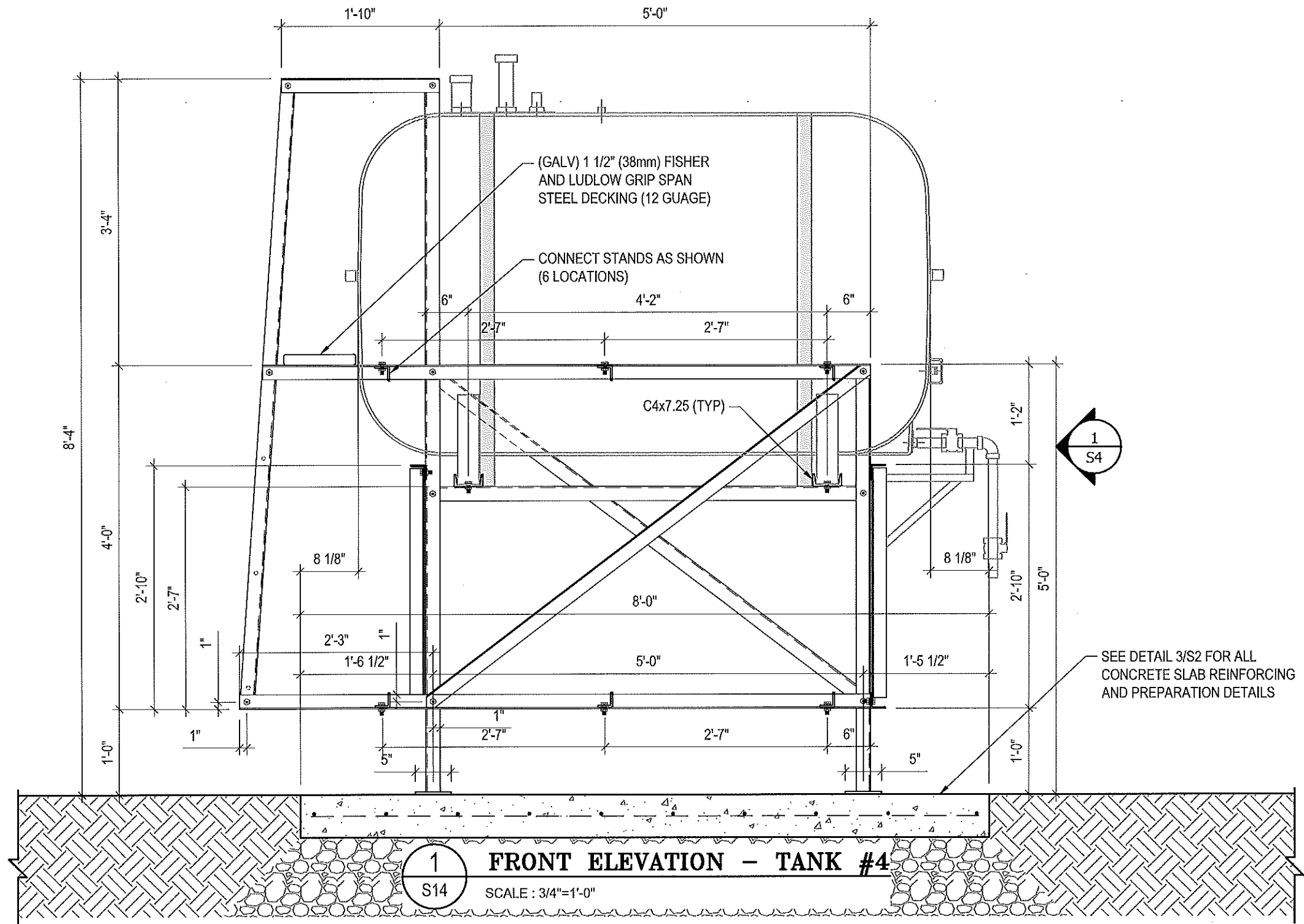
SCALE:
AS NOTED

DATE (YY MM DD):
17 06 12

DRAWING NUMBER:
S13

REVISION NUMBER:
00

- NOTES:**
- ALL STEEL TO BE GALVANIZED (GALV) OR STAINLESS STEEL (SS)
 - ALL ANGLES SHOWN ARE L2"x2"x3/16" (U/N/O)
 - ALL BOLTS SHOWN ARE 1/2"x2" LONG (U/N/O)
 - CONFIRM ALL DIMENSIONS SHOWN WITH MECH. DRAWINGS



PROJECT TITLE:
RCMP "V" DIVISION OIL TANK REPLACEMENT

SHEET TITLE:
TANK #4 - ELEVATIONS

PROJECT NUMBER:
17-122-CG-39



03	ISSUED FOR TENDER	17 06 12	RH
02	ISSUED FOR 99% REVIEW	17 05 30	RH
01	ISSUED FOR REVIEW	17 03 31	RH
REV. #	REVISION	DATE (YY MM DD)	REV. BY

REV. #	REVISION	DATE (YY MM DD)	REV. BY
--------	----------	-----------------	---------

SCALE:
AS NOTED

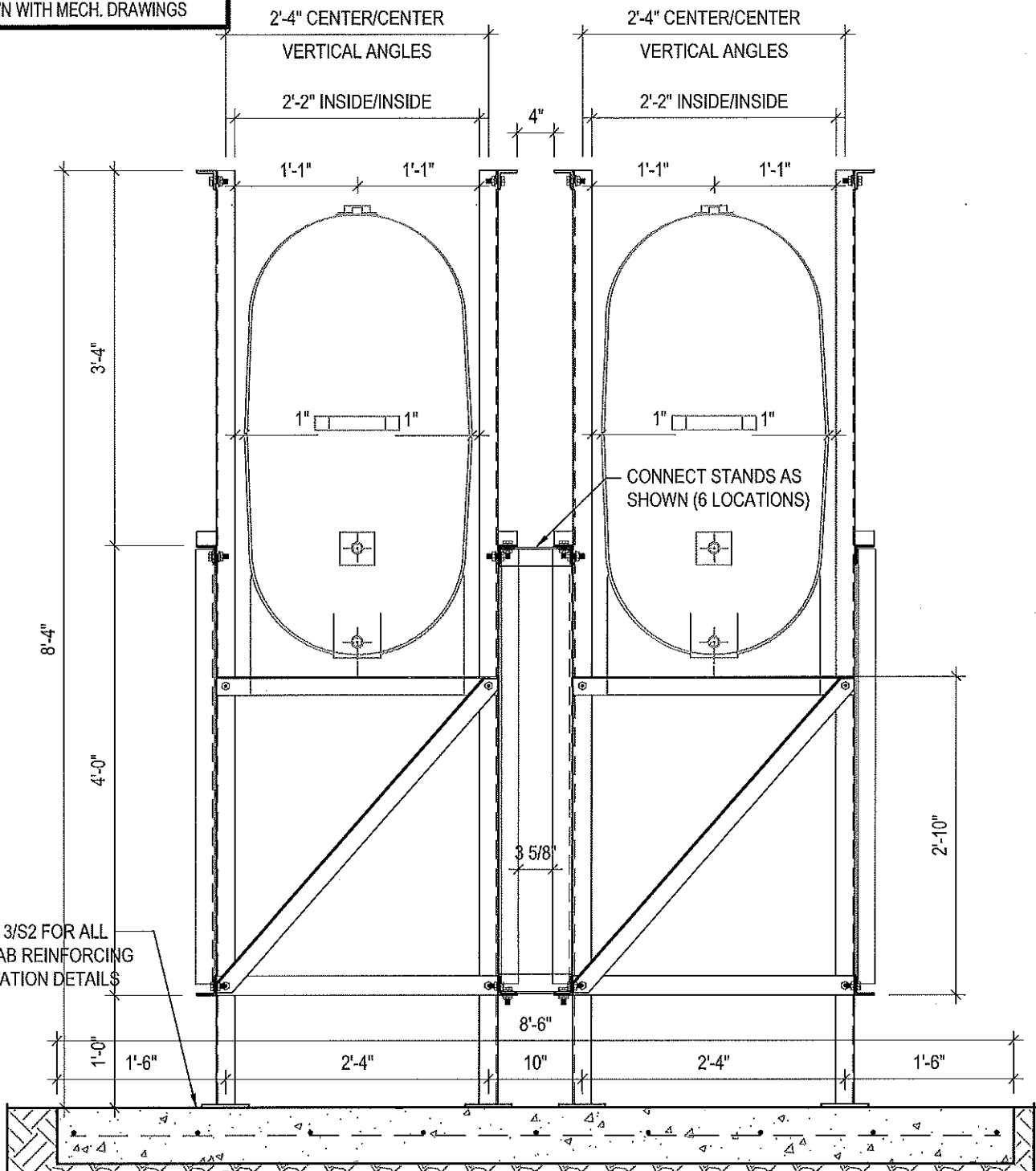
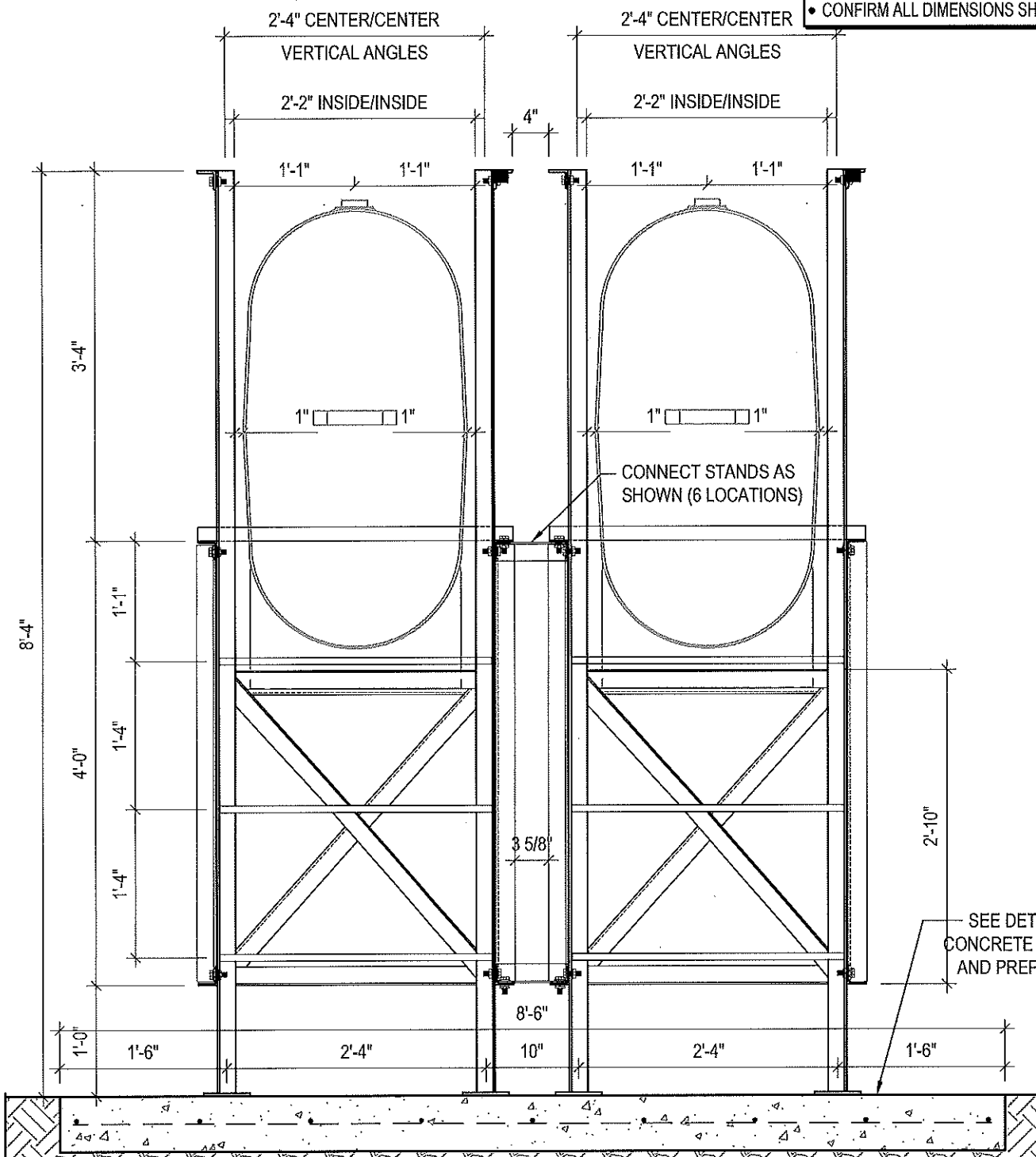
DATE (YY MM DD):
17 06 12

DRAWING NUMBER:
S14

REVISION NUMBER:
00

NOTES:

- ALL STEEL TO BE GALVANIZED (GALV) OR STAINLESS STEEL (SS)
- ALL ANGLES SHOWN ARE L2"x2"x3/16" (U/N/O)
- ALL BOLTS SHOWN ARE 1/2"Øx2" LONG (U/N/O)
- CONFIRM ALL DIMENSIONS SHOWN WITH MECH. DRAWINGS



SEE DETAIL 3/S2 FOR ALL CONCRETE SLAB REINFORCING AND PREPARATION DETAILS



PROJECT TITLE:
RCMP "V" DIVISION OIL TANK REPLACEMENT

SHEET TITLE:
TANK #4 - ELEVATIONS

PROJECT NUMBER:
17-122-CG-39



REV. #	REVISION	DATE (YY MM DD)	REV. BY
03	ISSUED FOR TENDER	17 06 12	RH
02	ISSUED FOR 99% REVIEW	17 05 30	RH
01	ISSUED FOR REVIEW	17 03 31	RH

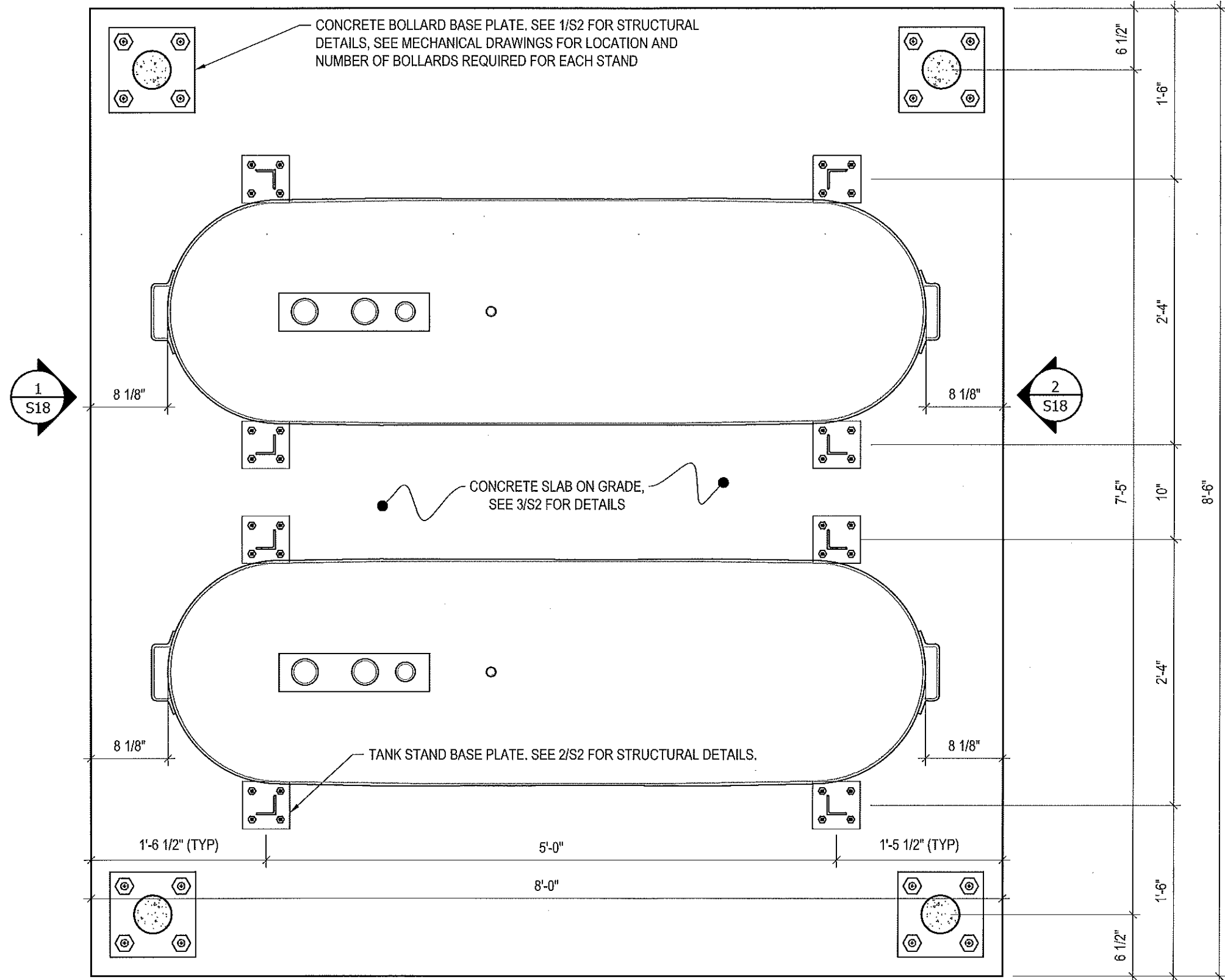
REV. #	REVISION	DATE (YY MM DD)	REV. BY

SCALE:
AS NOTED

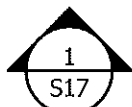
DATE (YY MM DD):
17 06 12

DRAWING NUMBER:
S15

REVISION NUMBER:
00



1 PLAN VIEW - TANK #5
 S16 SCALE : 1"=1'-0"



PROJECT TITLE:
 RCMP "V" DIVISION OIL TANK REPLACEMENT
 SHEET TITLE:
 TANK #5 - PLAN VIEW
 PROJECT NUMBER:
 17-122-CG-39

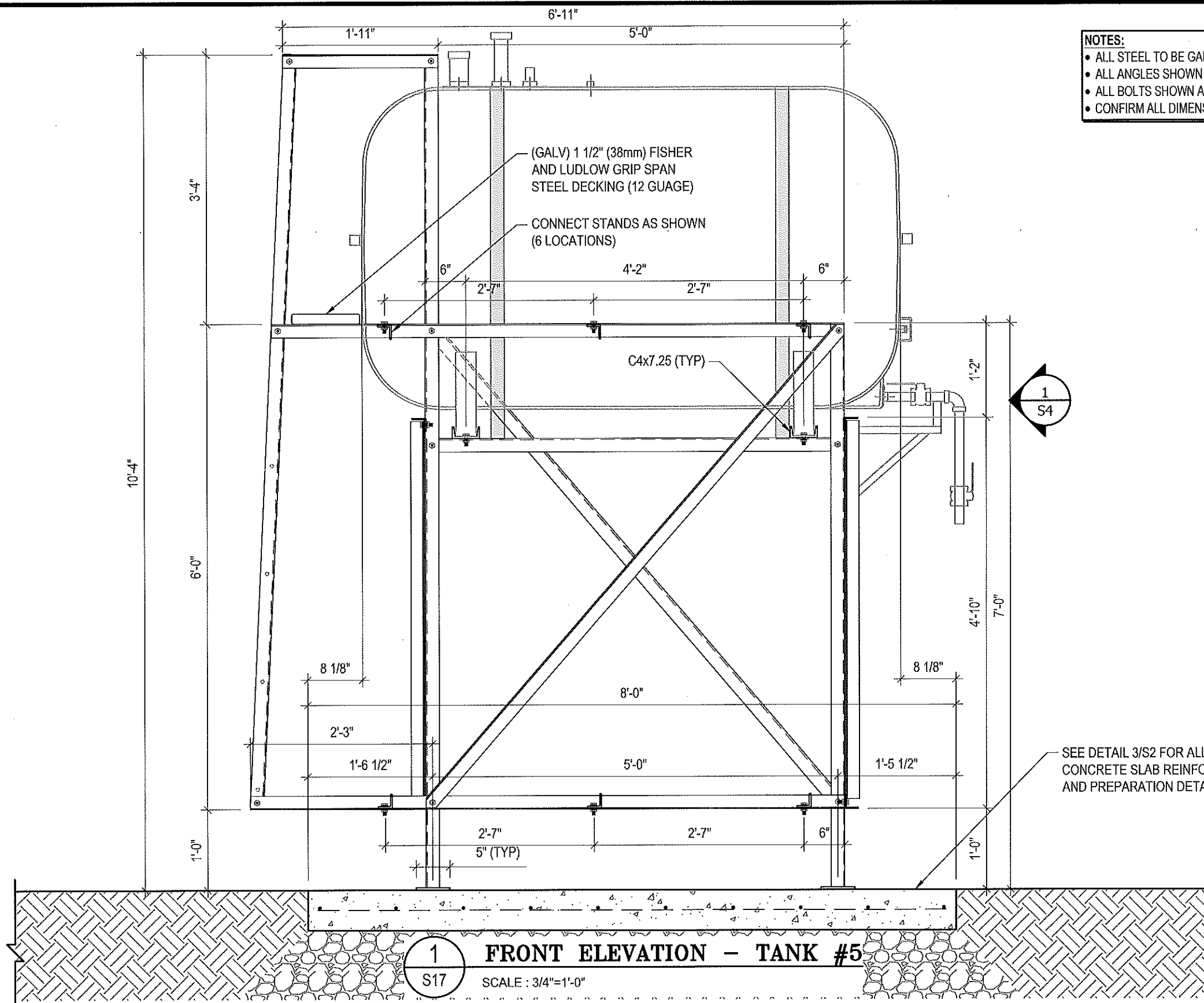


REV. #	REVISION	DATE (YY MM DD)	REV. BY
03	ISSUED FOR TENDER	17 06 12	RH
02	ISSUED FOR 99% REVIEW	17 05 30	RH
01	ISSUED FOR REVIEW	17 03 31	RH

REV. #	REVISION	DATE (YY MM DD)	REV. BY

SCALE:
 AS NOTED
 DATE (YY MM DD):
 17 06 12

DRAWING NUMBER:
S16
 REVISION NUMBER:
 00



- NOTES:**
- ALL STEEL TO BE GALVANIZED (GALV) OR STAINLESS STEEL (SS)
 - ALL ANGLES SHOWN ARE L2"x2"x3/16" (U/N/O)
 - ALL BOLTS SHOWN ARE 1/2"Øx2" LONG (U/N/O)
 - CONFIRM ALL DIMENSIONS SHOWN WITH MECH. DRAWINGS

1 FRONT ELEVATION - TANK #5
 SCALE : 3/4"=1'-0"



PROJECT TITLE:
 RCMP "V" DIVISION OIL TANK REPLACEMENT
 SHEET TITLE:
 TANK #5 - ELEVATIONS
 PROJECT NUMBER:
 17-122-CG-39

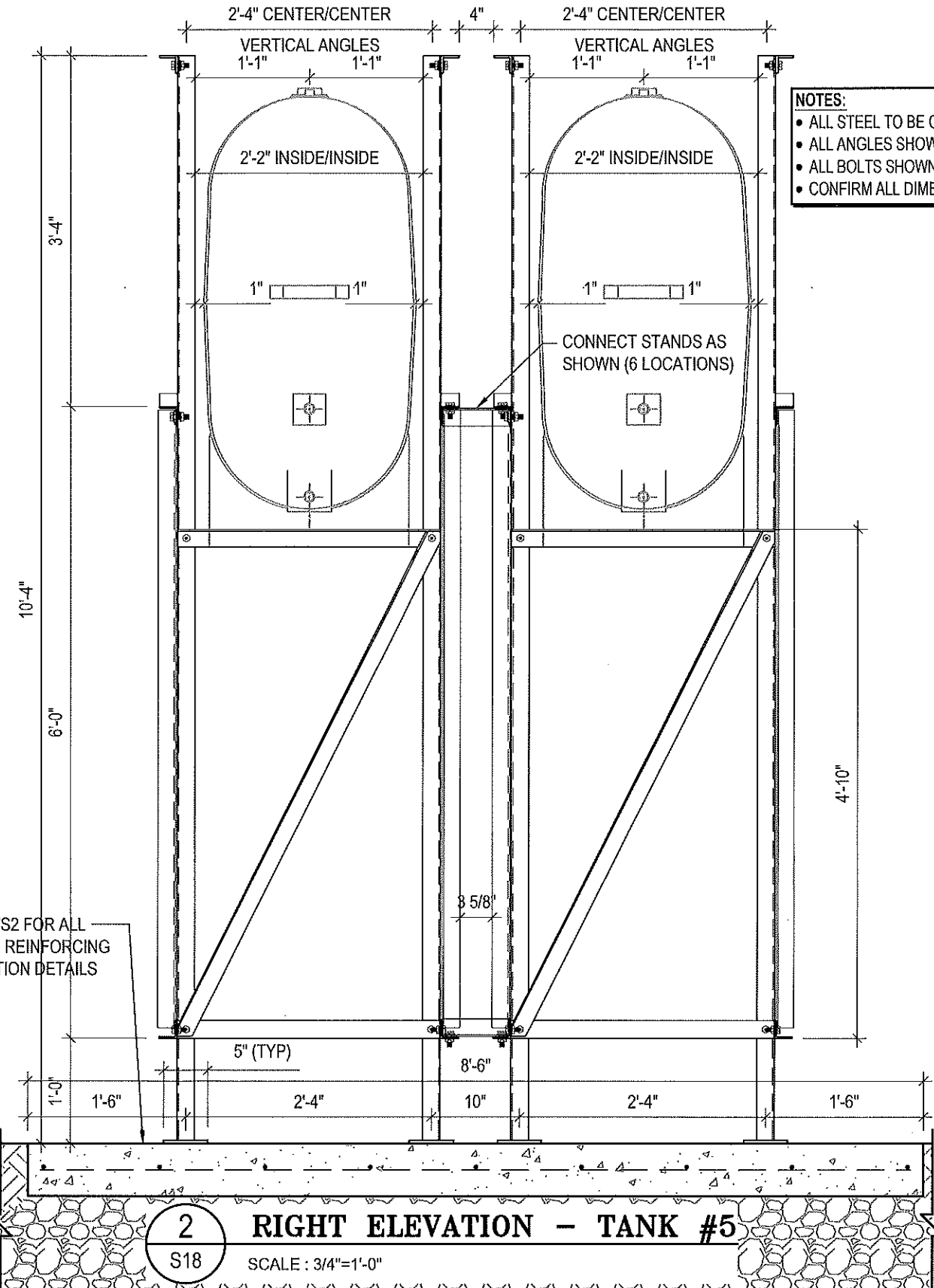
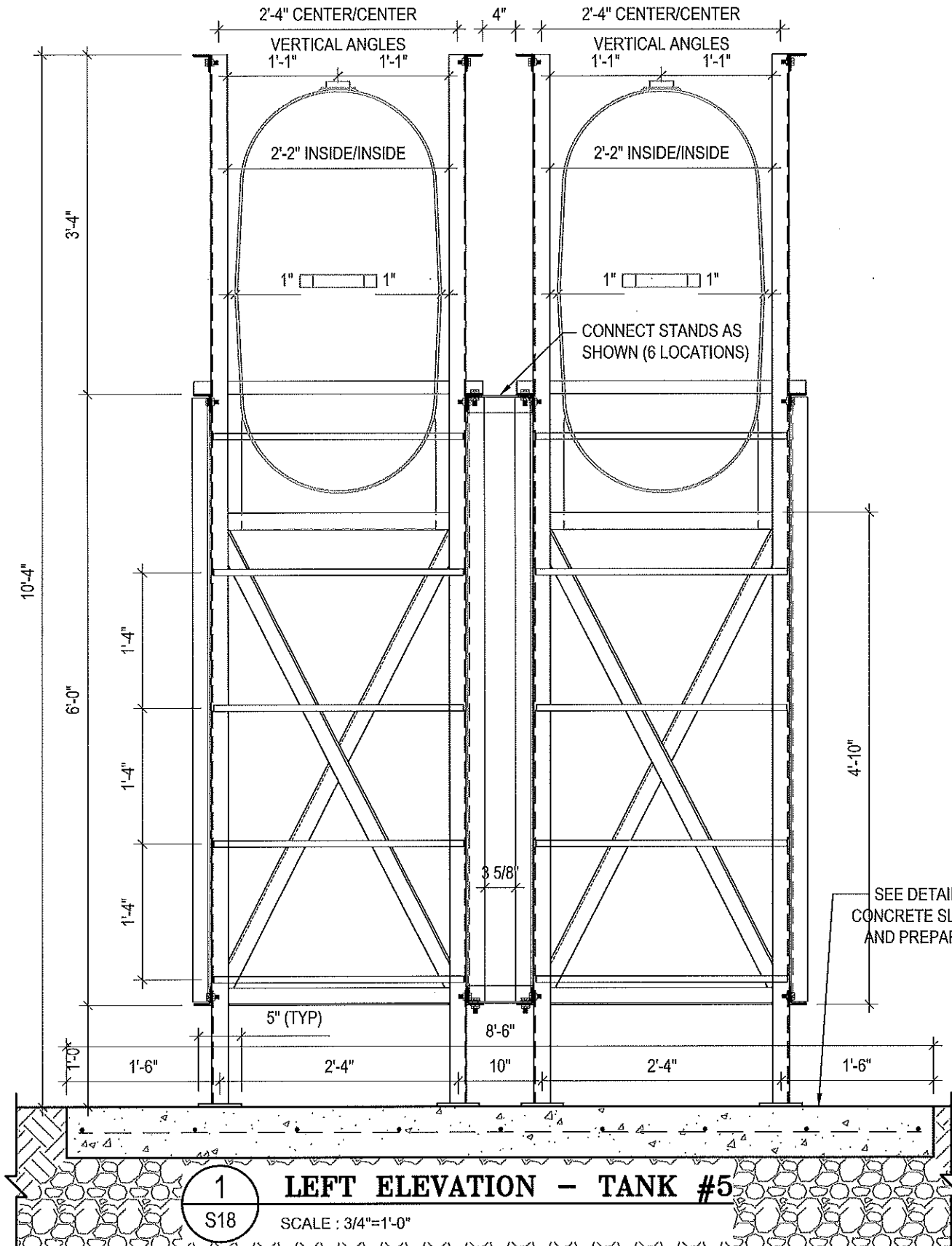


03	ISSUED FOR TENDER	17 06 12	RH
02	ISSUED FOR 99% REVIEW	17 05 30	RH
01	ISSUED FOR REVIEW	17 03 31	RH
REV. #	REVISION	DATE (YY MM DD)	REV. BY

REV. #	REVISION	DATE (YY MM DD)	REV. BY
--------	----------	-----------------	---------

SCALE:
 AS NOTED
 DATE (YY MM DD):
 17 06 12

DRAWING NUMBER:
S17
 REVISION NUMBER:
 00



NOTES:

- ALL STEEL TO BE GALVANIZED (GALV) OR STAINLESS STEEL (SS)
- ALL ANGLES SHOWN ARE L2"x2"x3/16" (U/I/N/O)
- ALL BOLTS SHOWN ARE 1/2"Øx2" LONG (U/I/N/O)
- CONFIRM ALL DIMENSIONS SHOWN WITH MECH. DRAWINGS

SEE DETAIL 3/S2 FOR ALL CONCRETE SLAB REINFORCING AND PREPARATION DETAILS



PROJECT TITLE:
RCMP "V" DIVISION OIL TANK REPLACEMENT

SHEET TITLE:
TANK #5 - ELEVATIONS

PROJECT NUMBER:
17-122-CG-39



03	ISSUED FOR TENDER	17 06 12	RH
02	ISSUED FOR 99% REVIEW	17 05 30	RH
01	ISSUED FOR REVIEW	17 03 31	RH
REV. #	REVISION	DATE (YY MM DD)	REV. BY

REV. #	REVISION	DATE (YY MM DD)	REV. BY
--------	----------	-----------------	---------

SCALE:
AS NOTED

DATE (YY MM DD):
17 06 12

DRAWING NUMBER:
S18

REVISION NUMBER:
00

FUEL TANK REPAIR AND REPLACEMENT PROJECT

IGLOOLIK, NUNAVUT

DRAWING LIST:

V141 - RESIDENCE

M1.0 DEMOLITION PLAN
M1.1 CONSTRUCTION PLAN
M2.0 TANK ELEVATIONS
M2.1 2" FUEL LINE SUPPORT DETAIL
M3.0 SCHEMATIC

V146 - FITNESS BUILDING

M1.0 DEMOLITION AND CONSTRUCTION PLAN
M2.0 TANK ELEVATIONS
M2.1 2" FUEL LINE SUPPORT DETAIL
M4.0 SCHEMATIC

V158 - GARAGE

M1.0 DEMOLITION AND CONSTRUCTION PLAN
M2.0 TANK ELEVATIONS
M2.1 2" FUEL LINE SUPPORT DETAIL
M3.0 SCHEMATIC

V159 - RESIDENCE

M1.0 DEMOLITION AND CONSTRUCTION PLAN
M2.0 TANK ELEVATIONS
M2.1 2" FUEL LINE SUPPORT DETAIL
M3.0 SCHEMATIC

V147 - FACILITY BUILDING

M1.0 CRAWL SPACE DEMOLITION PLAN
M1.1 MAIN FLOOR DEMOLITION PLAN
M2.0 MAIN FLOOR PLAN
M2.1 CRAWL SPACE PLAN
M2.2 ELEVATIONS
M3.0 SCHEMATIC
M3.1 SCHEMATIC

STRUCTURAL DRAWING LIST

S1 STRUCTURAL PROJECT NOTES
S2 TYP TANK SLAB, BOLLARD AND BASE PLATE DETAILS AND ISOMETRIC VIEW OF METAL STAND
S3 CONNECTION #1 DETAILS
S4 CONNECTION #2 DETAILS
S5 TANK #1 - PLAN VIEW OF TANK ON SLAB
S6 TANK #1 - PLAN VIEW OF TANK ON SLAB
S7 TANK #2 - PLAN VIEW OF TANK ON LOW METAL STAND
S8 TANK #2 - ELEVATIONS OF LOW METAL STAND
S9 TANK #2 - ELEVATIONS OF LOW METAL STAND
S10 TANK #3 - PLAN VIEW OF TANK ON HIGH METAL STAND
S11 TANK #3 - ELEVATIONS OF HIGH METAL STAND
S12 TANK #3 - ELEVATIONS OF HIGH METAL STAND
S13 TANK #4 - PLAN VIEW OF TANK ON LOW DOUBLE METAL STAND
S14 TANK #4 - ELEVATIONS OF LOW DOUBLE METAL STAND
S15 TANK #4 - ELEVATIONS OF LOW DOUBLE METAL STAND
S16 TANK #5 - PLAN VIEW OF TANK ON HIGH DOUBLE METAL STAND
S17 TANK #5 - ELEVATIONS OF HIGH DOUBLE METAL STAND
S18 TANK #5 - ELEVATIONS OF HIGH DOUBLE METAL STAND



PROJECT TITLE:
RCMP "V" DIVISION OIL TANK REPLACEMENT - IGLOOLIK
SHEET TITLE:
TITLE PAGE
PROJECT NUMBER:
16-028-14-30

00 ISSUED FOR TENDER 17 06 09 JLS
REV. # REVISION DATE (YY MM DD) REV. BY

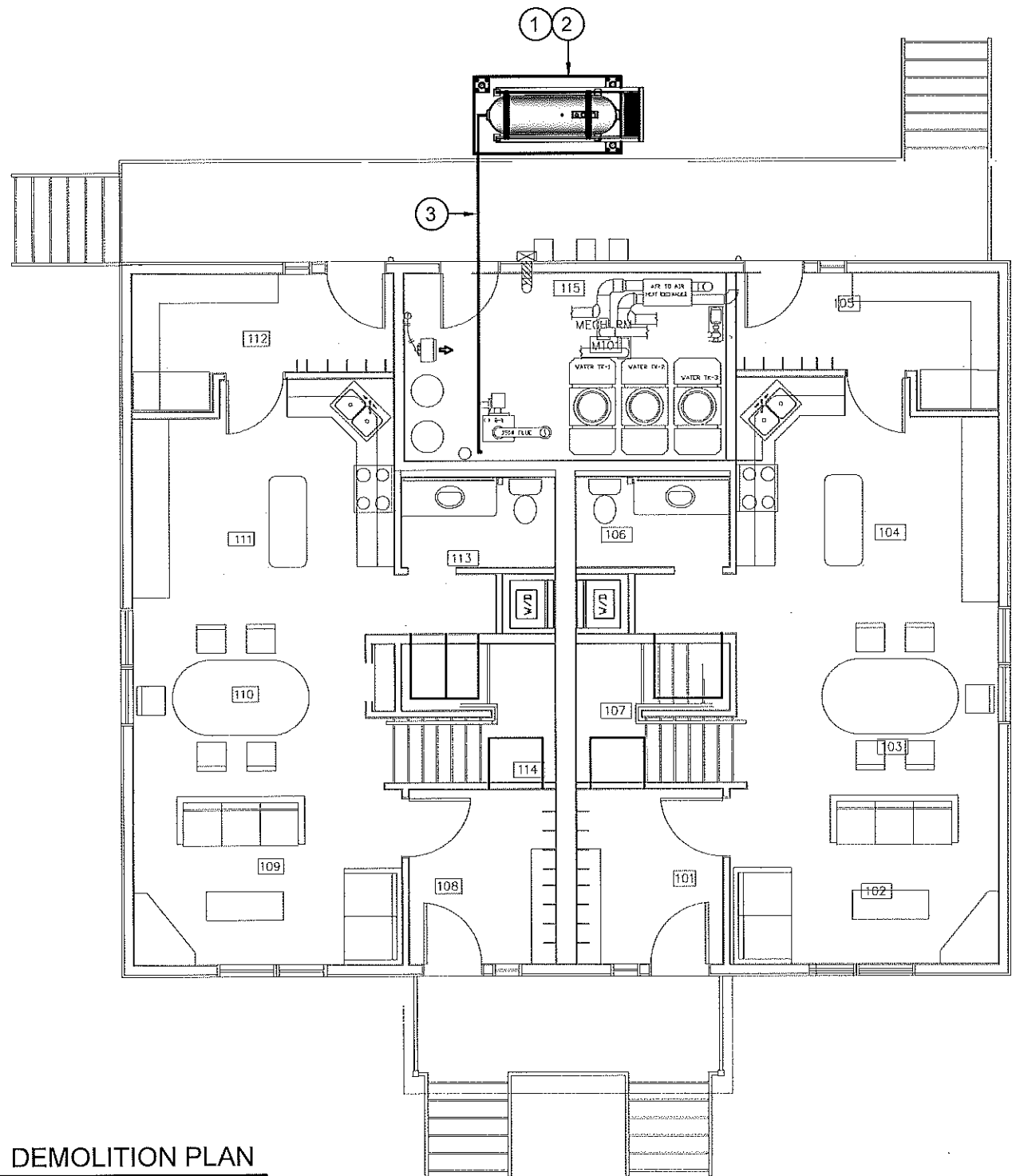
REV. # REVISION DATE (YY MM DD) REV. BY

SCALE:
AS NOTED
DATE (YY MM DD):
17 01 30

DRAWING NUMBER:

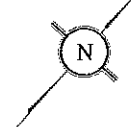
M0.0

REVISION NUMBER:
00

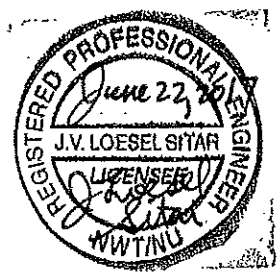


DEMOLITION NOTES: #

1. REMOVE ALL FUEL FROM THE TANK AND DISPOSE OF AS PER LOCAL REGULATIONS.
2. REMOVE EXISTING OIL TANK, STAND AND PAD DISPOSE OF AS PER LOCAL REGULATIONS.
3. REMOVE ALL PIPING UNDER DUPLEX TO EXISTING BOILER AND DISPOSE AS PER LOCAL REGULATIONS.



01 DEMOLITION PLAN
M1.0 SCALE: 1/8"=1'-0"



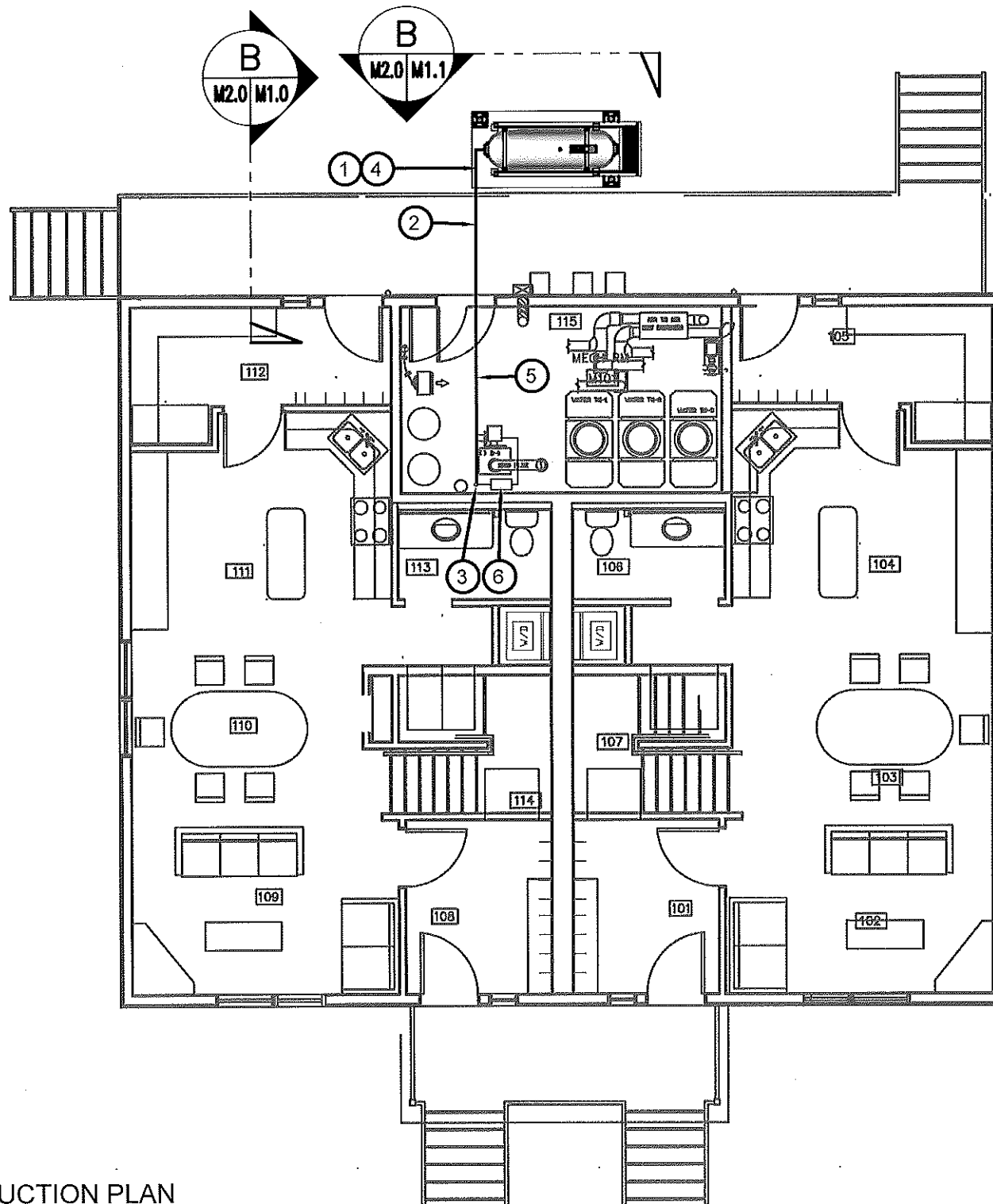
PROJECT TITLE:
RCMP "V" DIVISION OIL TANK REPLACEMENT - IGLOOLIK
V141 - DUPLEX RESIDENCE, IGLOOLIK
SHEET TITLE:
DEMOLITION PLAN
PROJECT NUMBER:
16-028-14-30

00	ISSUED FOR TENDER	17 06 09	JLS
REV. #	REVISION	DATE (YY MM DD)	REV. BY

REV. #	REVISION	DATE (YY MM DD)	REV. BY
--------	----------	-----------------	---------

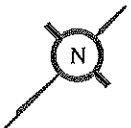
SCALE:
AS NOTED
DATE (YY MM DD):
17 03 03

DRAWING NUMBER:
M1.0
REVISION NUMBER:
00

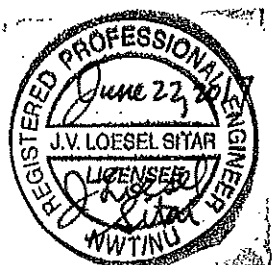


CONSTRUCTION NOTES: #

1. INSTALL NEW OIL TANK, STAND AND CONCRETE PAD. SEE SHEET M2.0
2. INSTALL NEW PIPING SUPPORT AS PER SHEET M2.1. INSTALL PIPE HANGERS AS REQUIRED TO SUPPORT PIPING UNDER DUPLEX
3. CAULK ENTRY INTO BUILDING.
4. INSTALL NEW OIL TANK #3 - SEE STRUCTURAL FOR DETAILS.
5. INSTALL NEW 2" DIA SCH 40 PIPE AND HANGERS AS PER SPECIFICATION
6. INSTALL NEW WARMING PIPE, FUEL FILTER, FUSIBLE LINK, TIGER LOOP AND DRIP TRAYS.



01 CONSTRUCTION PLAN
M1.1 SCALE: 1/8"=1'-0"



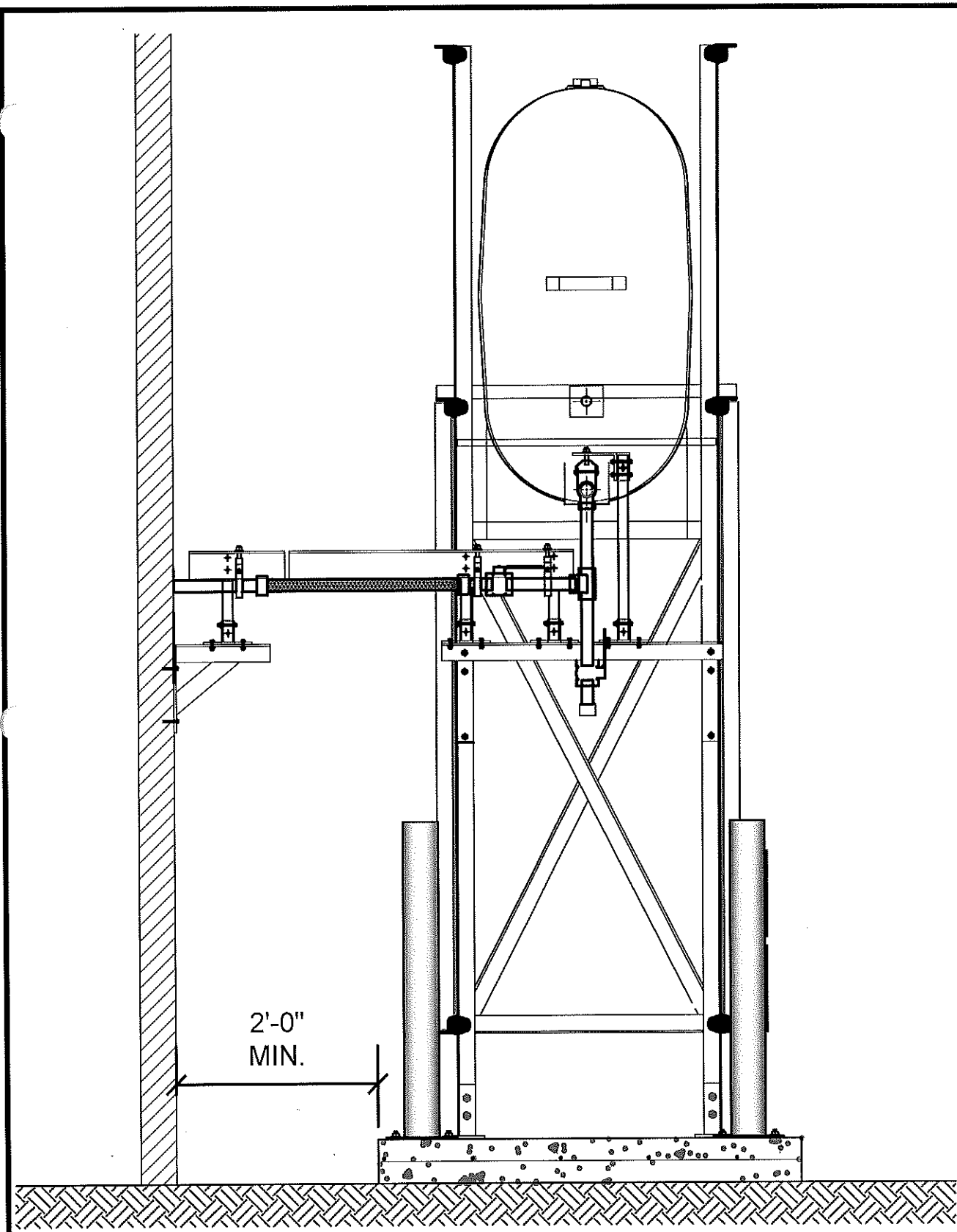
PROJECT TITLE:
RCMP "V" DIVISION OIL TANK REPLACEMENT - IGLOOLIK
V141 - DUPLEX RESIDENCE, IGLOOLIK
SHEET TITLE:
CONSTRUCTION PLAN
PROJECT NUMBER:
16-028-14-30

00	ISSUED FOR TENDER	17 06 09	JLS
REV. #	REVISION	DATE (YY MM DD)	REV. BY

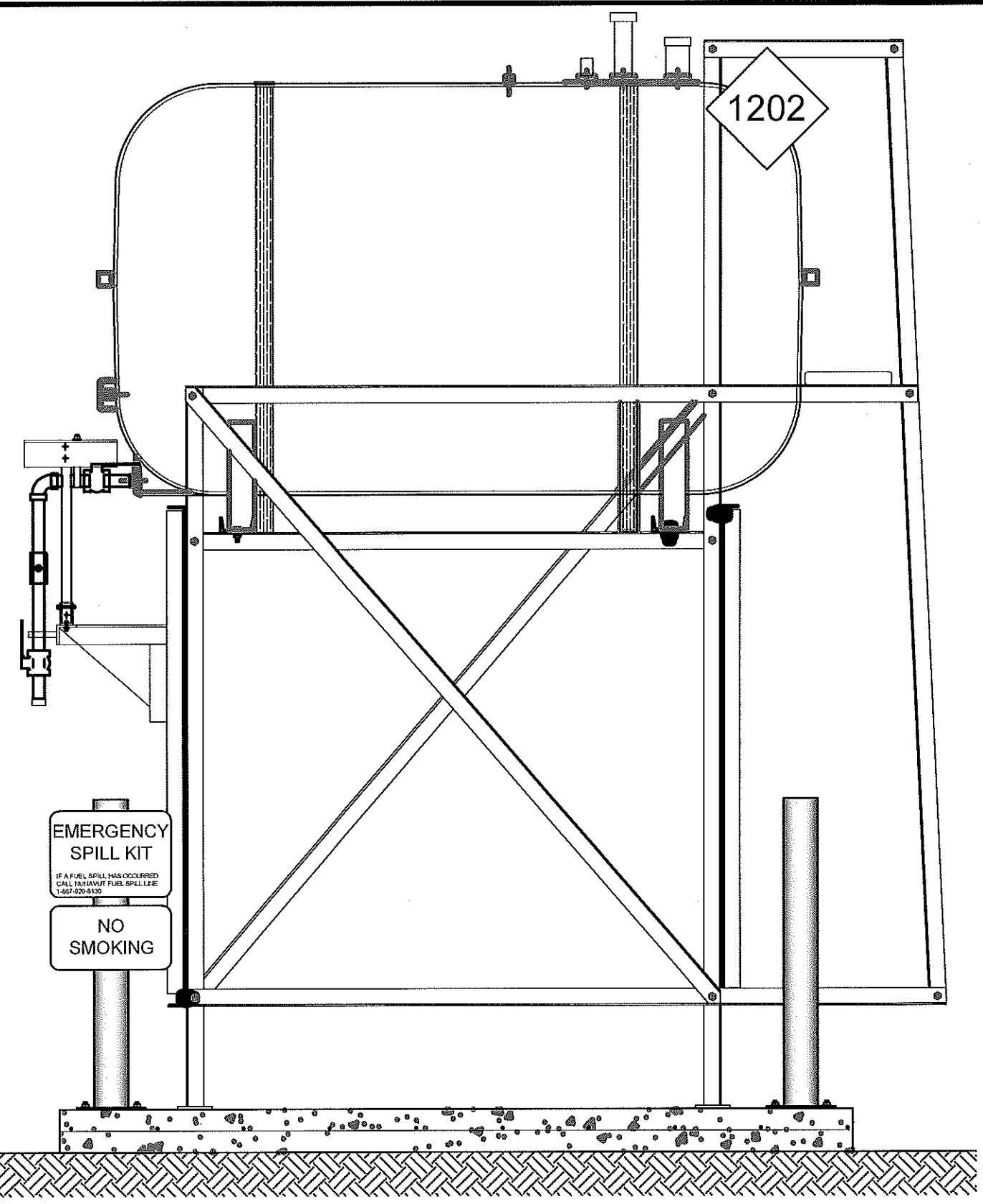
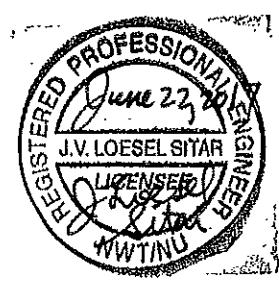
REV. #	REVISION	DATE (YY MM DD)	REV. BY
--------	----------	-----------------	---------

SCALE:
AS NOTED
DATE (YY MM DD):
17 03 03

DRAWING NUMBER:
M1.1
REVISION NUMBER:
00



01 OIL TANK ELEVATION - A
M2.0 SCALE: 3/4"-1'-0"



02 OIL TANK ELEVATION - B
M2.0 SCALE: 3/4"-1'-0"



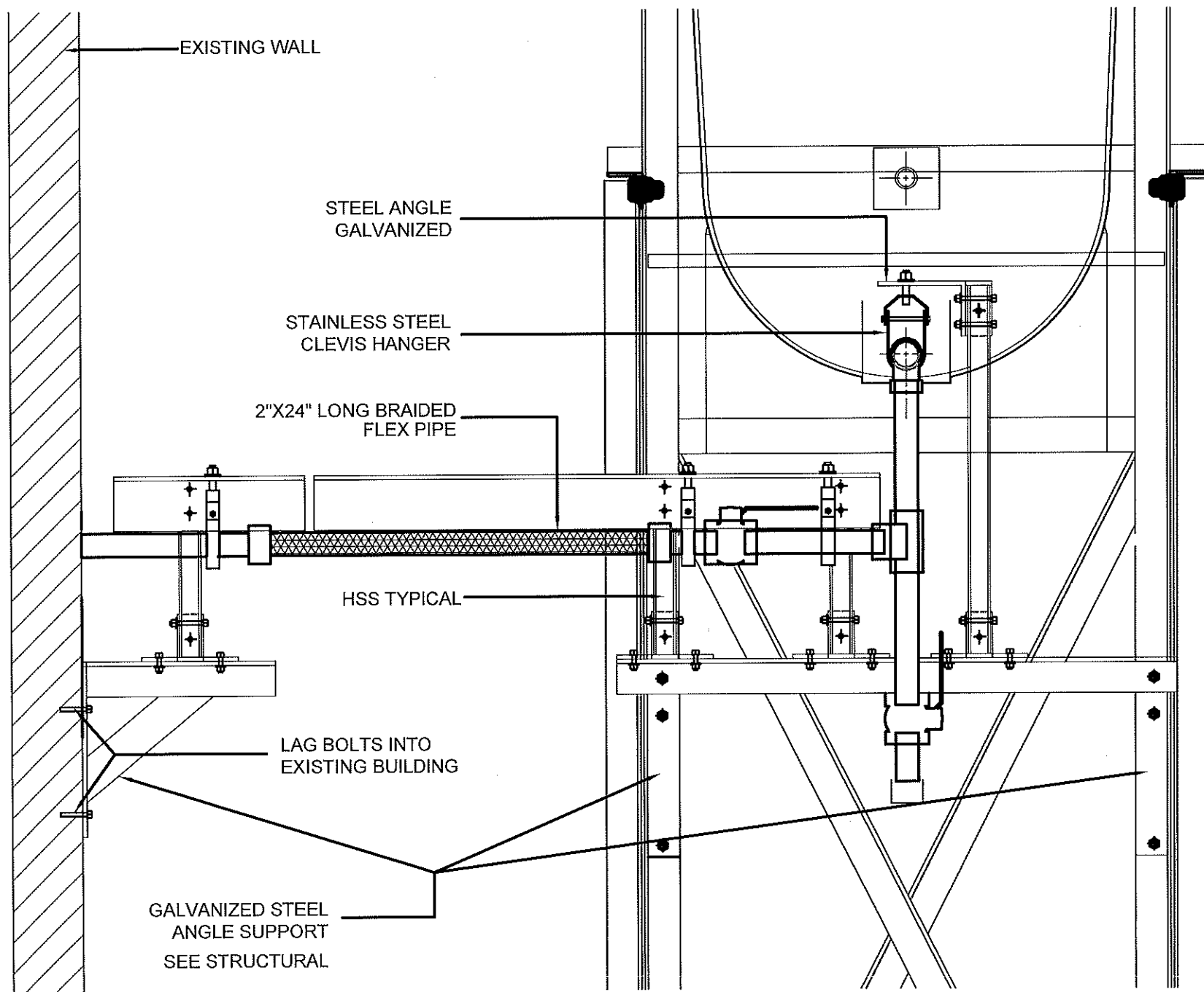
PROJECT TITLE:
RCMP "V" DIVISION OIL TANK REPLACEMENT - IGLOOLIK
V141 - DUPLEX RESIDENCE, IGLOOLIK
SHEET TITLE:
TANK ELEVATIONS
PROJECT NUMBER:
16-028-14-30

00	ISSUED FOR TENDER	17 06 09	JLS
REV. #	REVISION	DATE (YY MM DD)	REV. BY

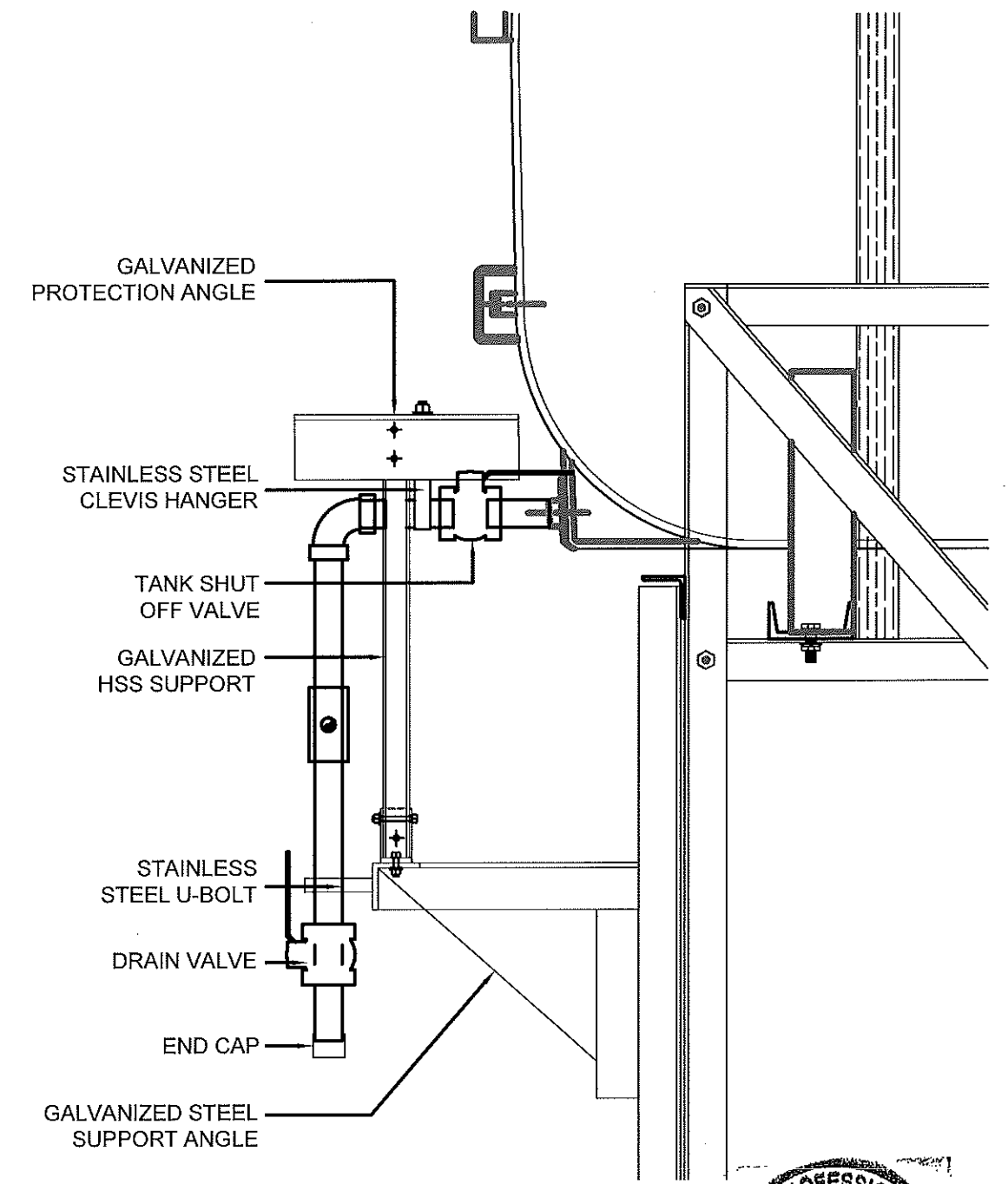
REV. #	REVISION	DATE (YY MM DD)	REV. BY
--------	----------	-----------------	---------

SCALE:
AS NOTED
DATE (YY MM DD):
17 03 03

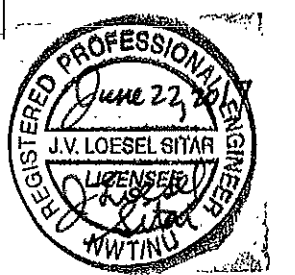
DRAWING NUMBER:
M2.0
REVISION NUMBER:
00



01 FRONT VIEW
M2.1 SCALE: 1 1/2"-1'-0"



02 SIDE VIEW
M2.1 SCALE: 1 1/2"-1'-0"



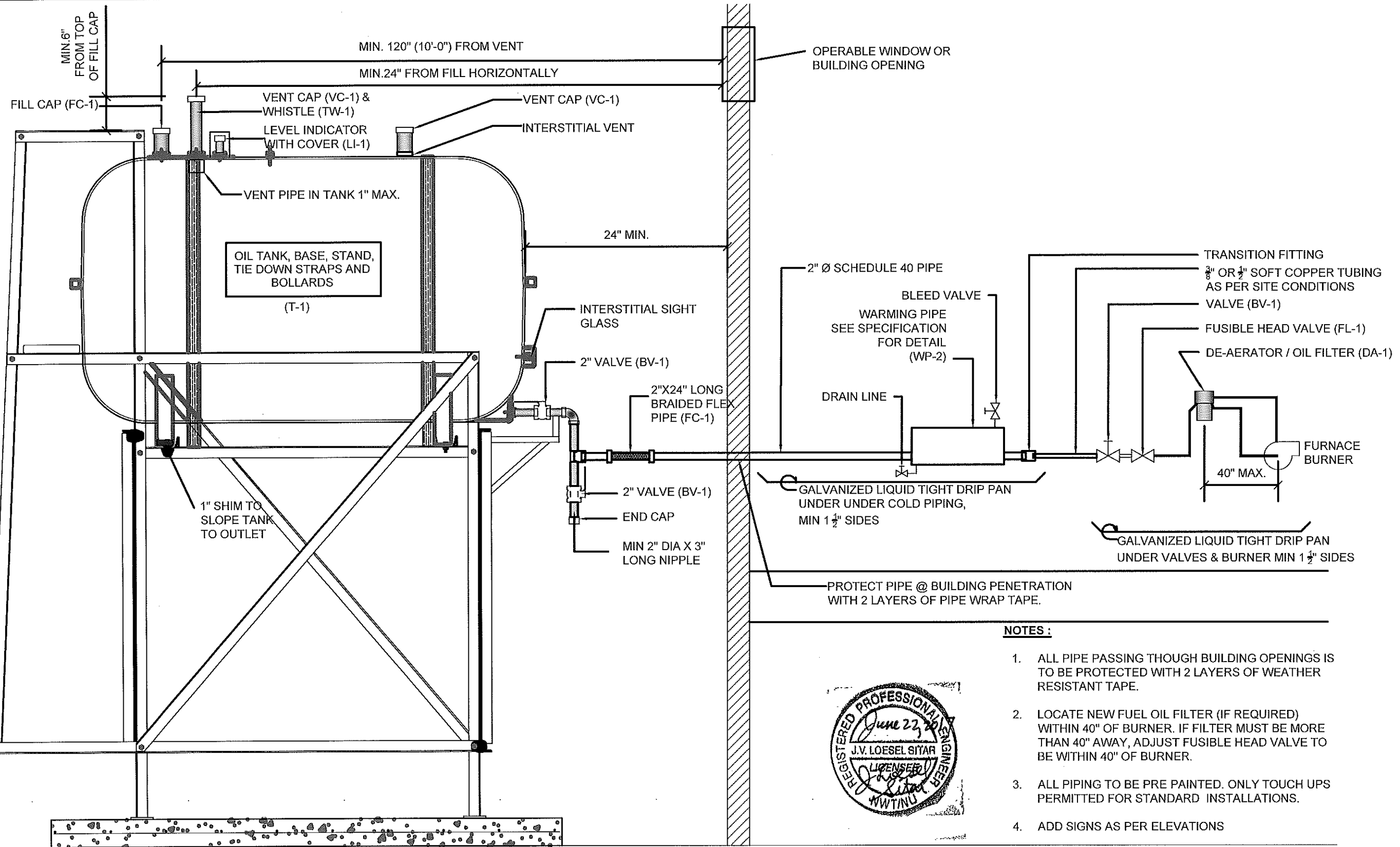
PROJECT TITLE:
RCMP "V" DIVISION OIL TANK REPLACEMENT - IGLOOLIK
V141 - DUPLEX RESIDENCE, IGLOOLIK
SHEET TITLE:
2" FUEL LINE SUPPORT DETAIL
PROJECT NUMBER:
16-028-14-30

00	ISSUED FOR TENDER	17 06 09	JLS
REV. #	REVISION	DATE (YY MM DD)	REV. BY

REV. #	REVISION	DATE (YY MM DD)	REV. BY
--------	----------	-----------------	---------

SCALE:
AS NOTED
DATE (YY MM DD):
17 03 03

DRAWING NUMBER:
M2.1
REVISION NUMBER:
00



NOTES :

1. ALL PIPE PASSING THOUGH BUILDING OPENINGS IS TO BE PROTECTED WITH 2 LAYERS OF WEATHER RESISTANT TAPE.
2. LOCATE NEW FUEL OIL FILTER (IF REQUIRED) WITHIN 40" OF BURNER. IF FILTER MUST BE MORE THAN 40" AWAY, ADJUST FUSIBLE HEAD VALVE TO BE WITHIN 40" OF BURNER.
3. ALL PIPING TO BE PRE PAINTED. ONLY TOUCH UPS PERMITTED FOR STANDARD INSTALLATIONS.
4. ADD SIGNS AS PER ELEVATIONS



01 SCHEMATIC - TANK, PIPING & ACCESSORIES : ON STAND
M3.0 SCALE: NTS



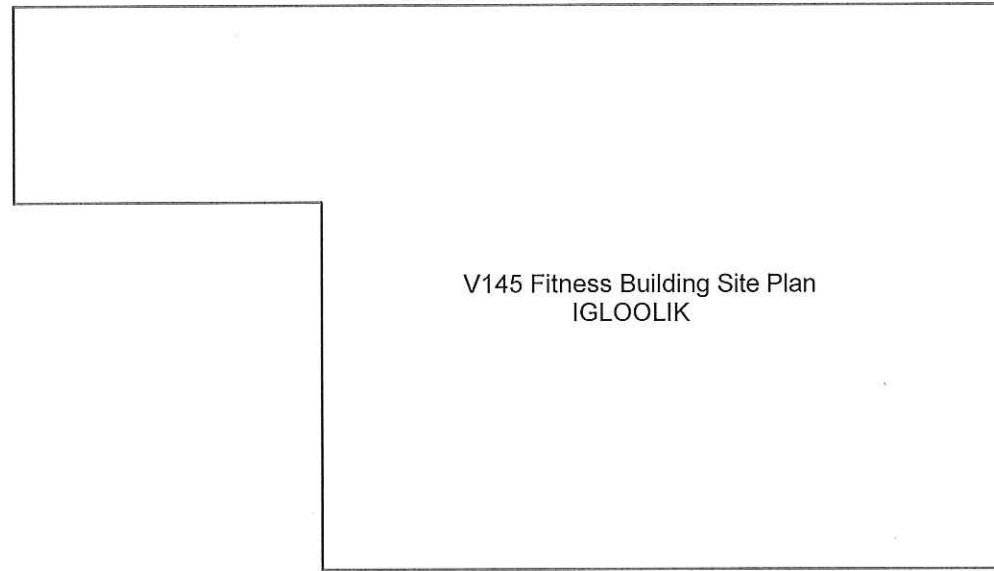
PROJECT TITLE:
RCMP "V" DIVISION OIL TANK REPLACEMENT - IGLOOLIK
V141 - DUPLEX RESIDENCE, IGLOOLIK
SHEET TITLE:
SCHEMATIC - TANK, PIPING & ACCESSORIES
PROJECT NUMBER:
16-028-14-30

00	ISSUED FOR TENDER	17 06 09	JLS
REV. #	REVISION	DATE (YY MM DD)	REV. BY

REV. #	REVISION	DATE (YY MM DD)	REV. BY
--------	----------	-----------------	---------

SCALE:
AS NOTED
DATE (YY MM DD):
17 03 03

DRAWING NUMBER:
M3.0
REVISION NUMBER:
00



V145 Fitness Building Site Plan
IGLOOLIK

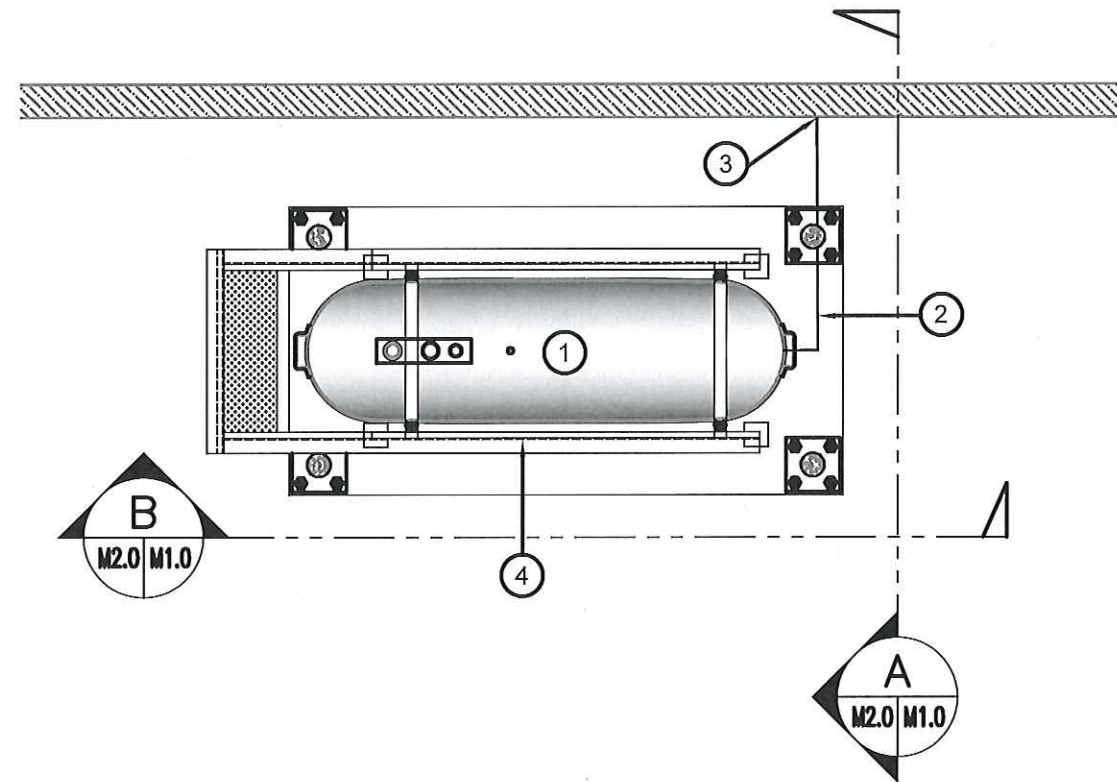
TANK

FRONT

01 DEMOLITION PLAN
M1.0 SCALE: NTS

DEMOLITION NOTES:

1. REMOVE ALL FUEL FROM THE TANK AND DISPOSE OF AS PER LOCAL REGULATIONS
2. REMOVE EXISTING OIL TANK STAND AND PAD. DISPOSE OF AS PER LOCAL REGULATIONS

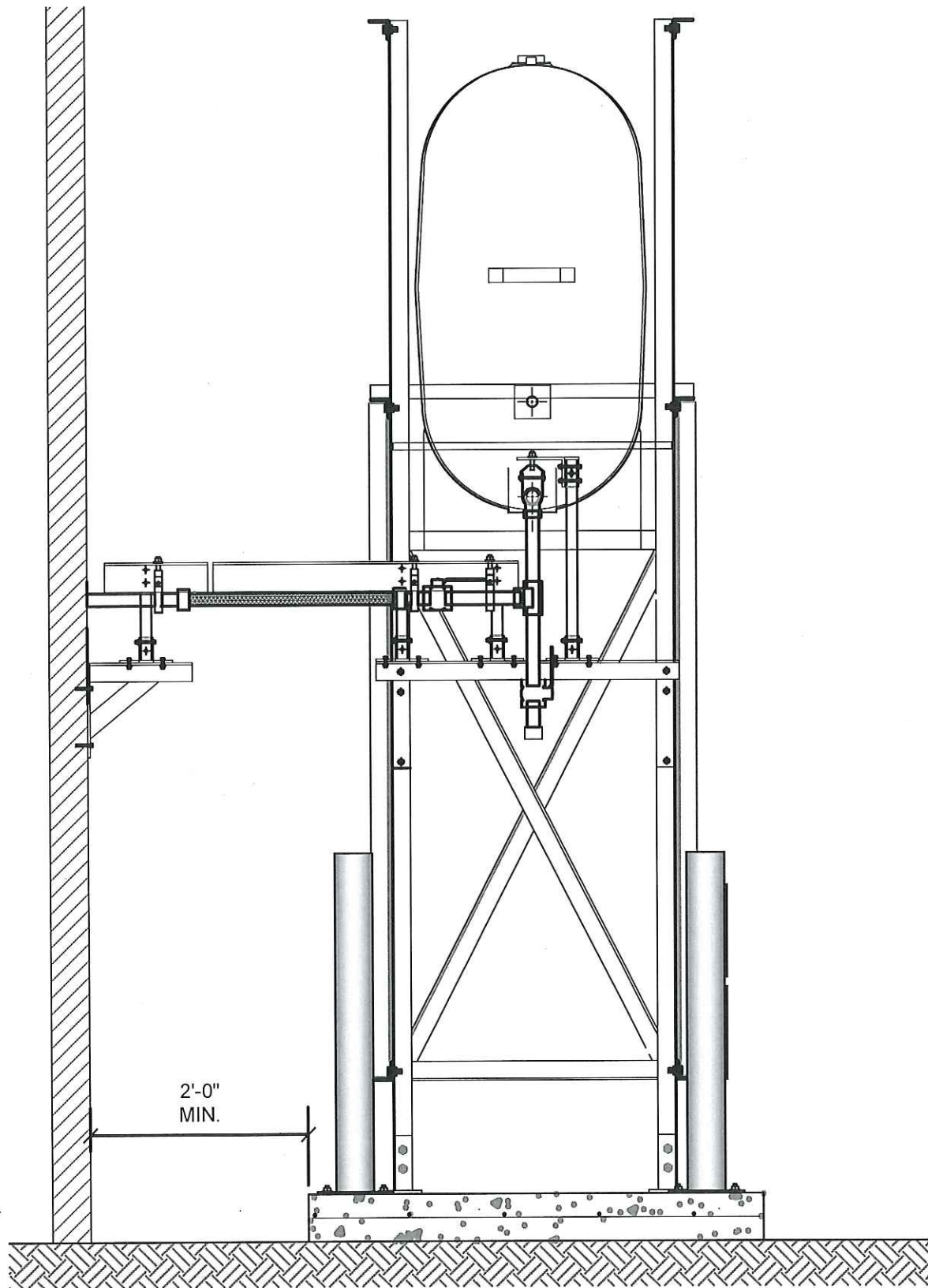


02 CONSTRUCTION PLAN
M1.0 SCALE: NTS

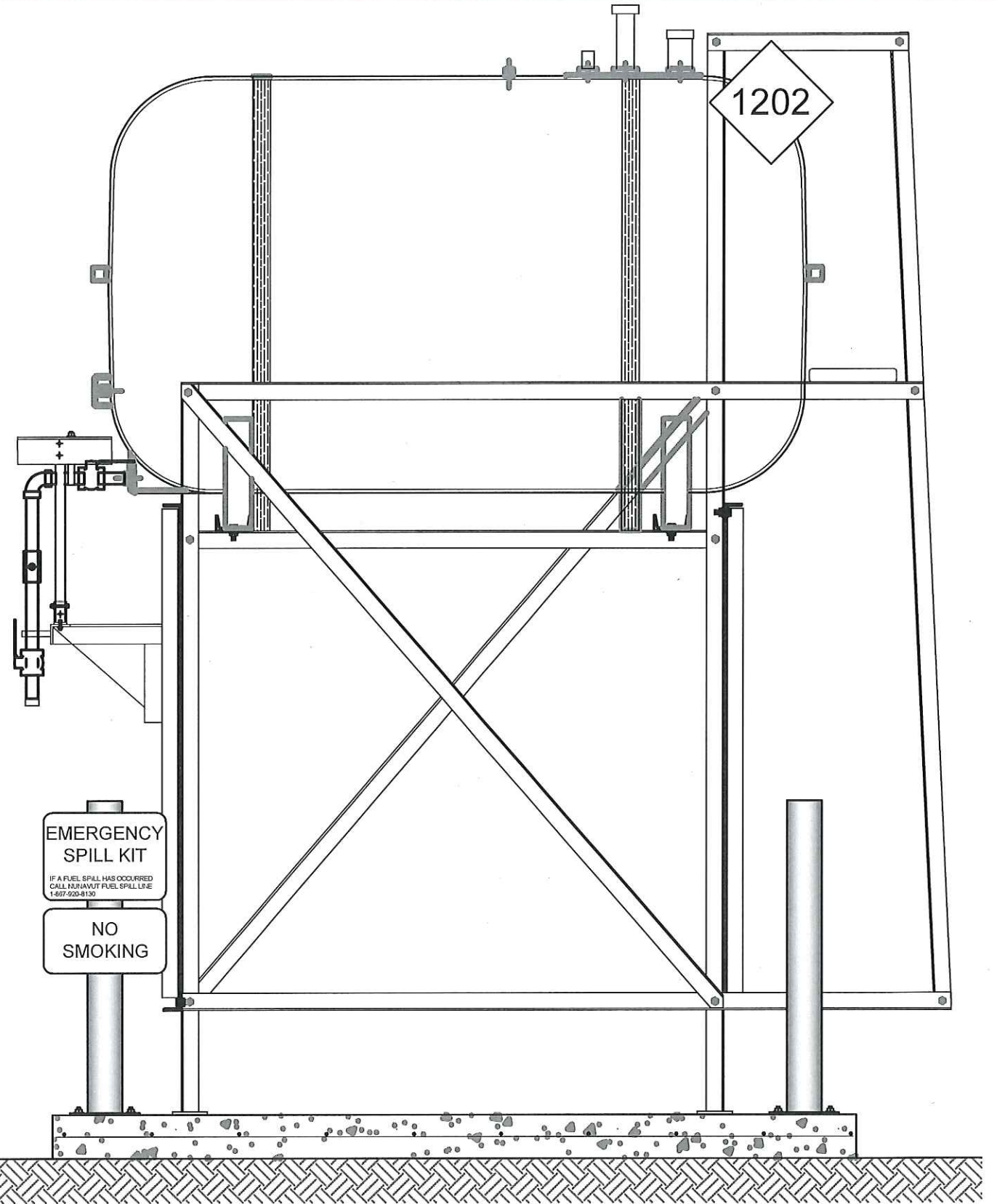
CONSTRUCTION NOTES: #

1. INSTALL NEW OIL TANK, STAND AND CONCRETE PAD. SEE SHEET M2.0.
2. INSTALL NEW BOLLARDS.
3. CAULK ENTRY INTO BUILDING.
4. INSTALL NEW TANK STAND #2- SEE STRUCTURAL FOR DETAILS.

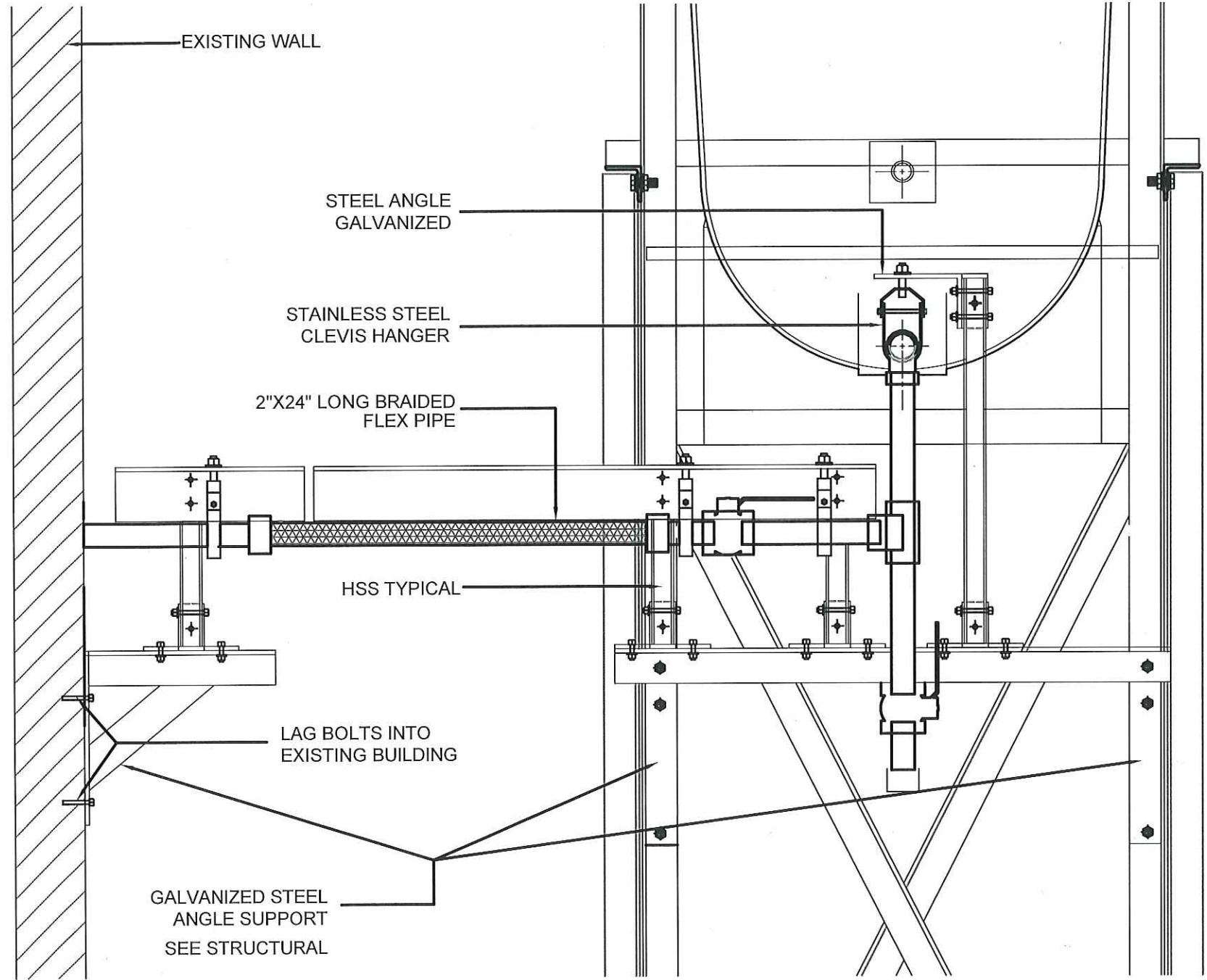




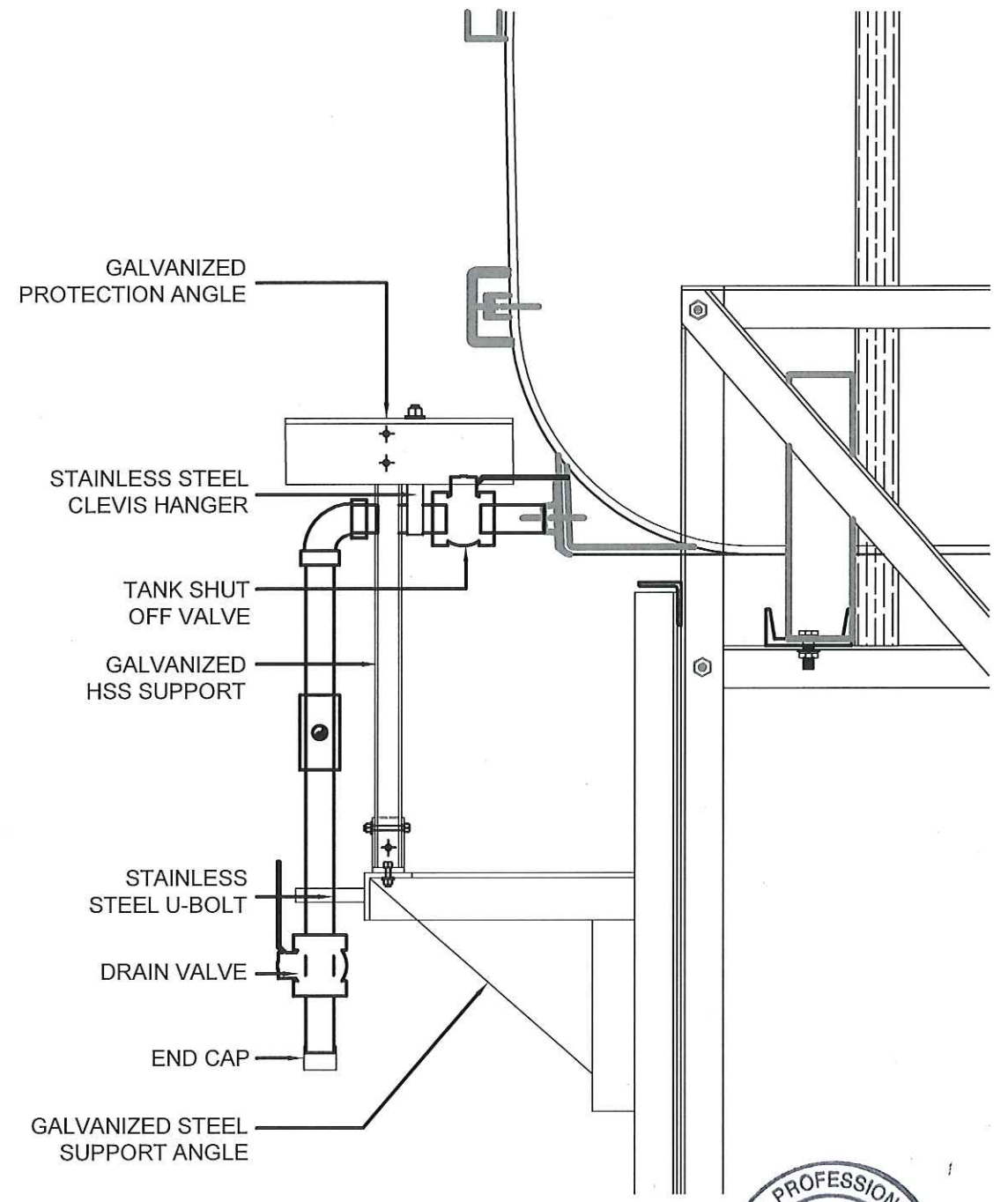
01 OIL TANK ELEVATION - A
M2.0 SCALE: 3/4"-1'-0"



02 OIL TANK ELEVATION - B
M2.0 SCALE: 3/4"-1'-0"



01 FRONT VIEW
M2.1 SCALE: 1 1/2\"-1'-0\"



02 SIDE VIEW
M2.1 SCALE: 1 1/2\"-1'-0\"



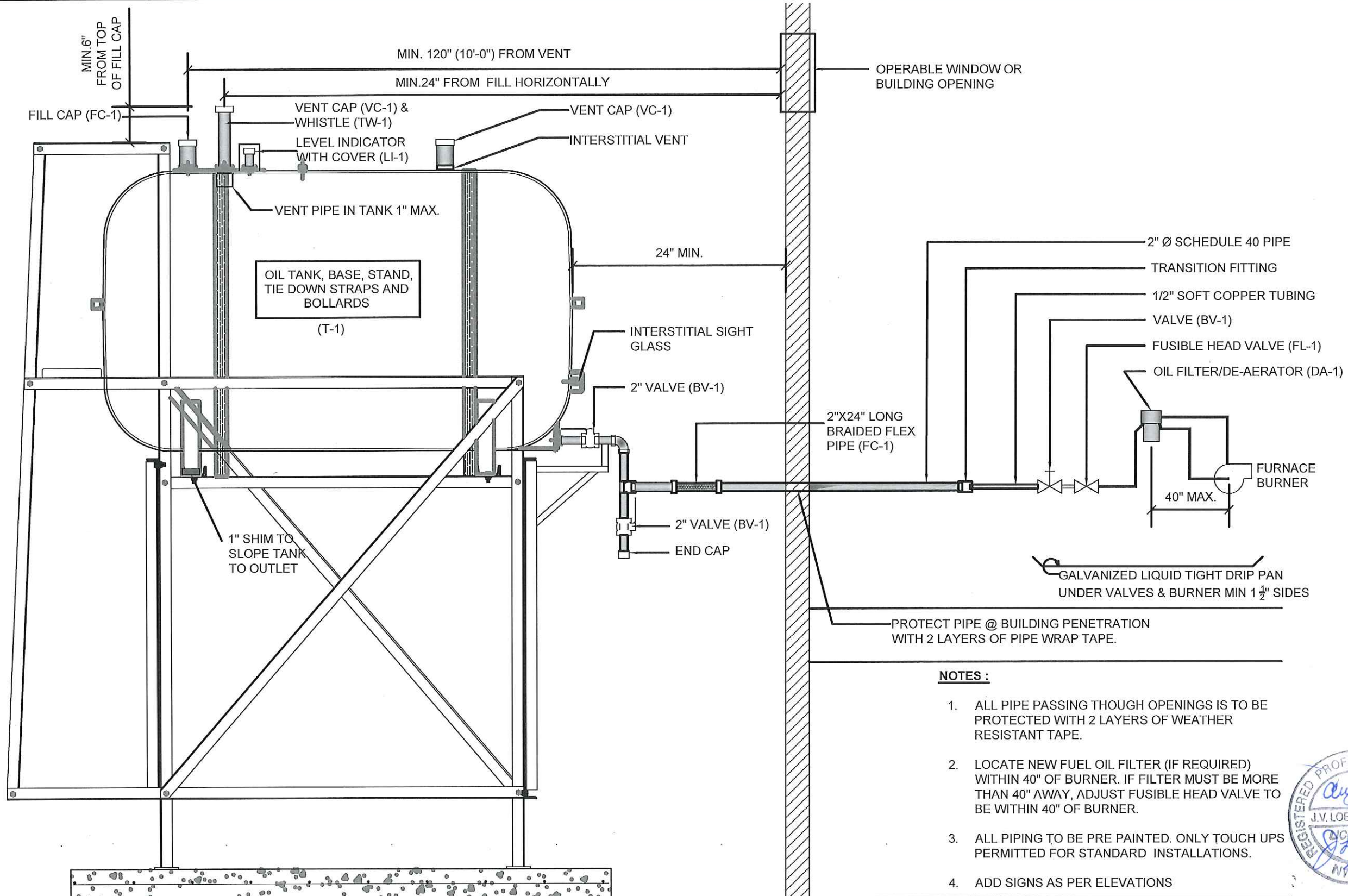
PROJECT TITLE:
RCMP "V" DIVISION OIL TANK REPLACEMENT - IGLOOKIK
V146 - FITNESS BUILDING, IGLOOKIK
SHEET TITLE:
2" FUEL LINE SUPPORT DETAIL
PROJECT NUMBER:
16-028-14-30

00	ISSUED FOR TENDER	17 06 09	JLS
REV. #	REVISION	DATE (YY MM DD)	REV. BY

REV. #	REVISION	DATE (YY MM DD)	REV. BY
--------	----------	-----------------	---------

SCALE:
AS NOTED
DATE (YY MM DD):
17 03 03

DRAWING NUMBER:
M2.1
REVISION NUMBER:
00



- NOTES :**
1. ALL PIPE PASSING THOUGH OPENINGS IS TO BE PROTECTED WITH 2 LAYERS OF WEATHER RESISTANT TAPE.
 2. LOCATE NEW FUEL OIL FILTER (IF REQUIRED) WITHIN 40" OF BURNER. IF FILTER MUST BE MORE THAN 40" AWAY, ADJUST FUSIBLE HEAD VALVE TO BE WITHIN 40" OF BURNER.
 3. ALL PIPING TO BE PRE PAINTED. ONLY TOUCH UPS PERMITTED FOR STANDARD INSTALLATIONS.
 4. ADD SIGNS AS PER ELEVATIONS



01 SCHEMATIC - TANK, PIPING & ACCESSORIES : ON STAND
M3.0 SCALE: NTS



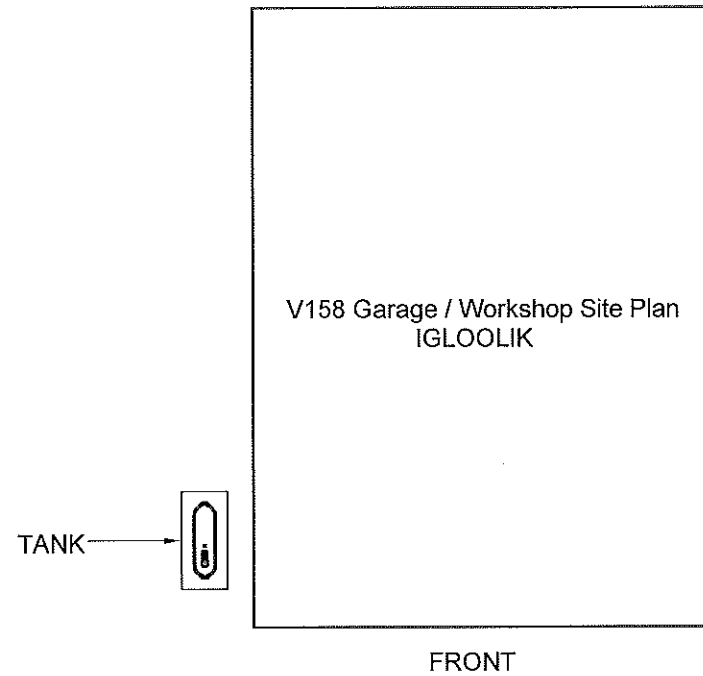
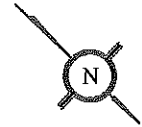
PROJECT TITLE:
RCMP "V" DIVISION OIL TANK REPLACEMENT - IGLOOKIK
V146 - FITNESS BUILDING, IGLOOKIK
SHEET TITLE:
SCHEMATIC - TANK, PIPING & ACCESSORIES
PROJECT NUMBER:
16-028-14-30

00 ISSUED FOR TENDER 17 06 09 JLS
REV. # | REVISION | DATE (YY MM DD) | REV. BY

REV. # | REVISION | DATE (YY MM DD) | REV. BY

SCALE:
AS NOTED
DATE (YY MM DD):
17 06 09

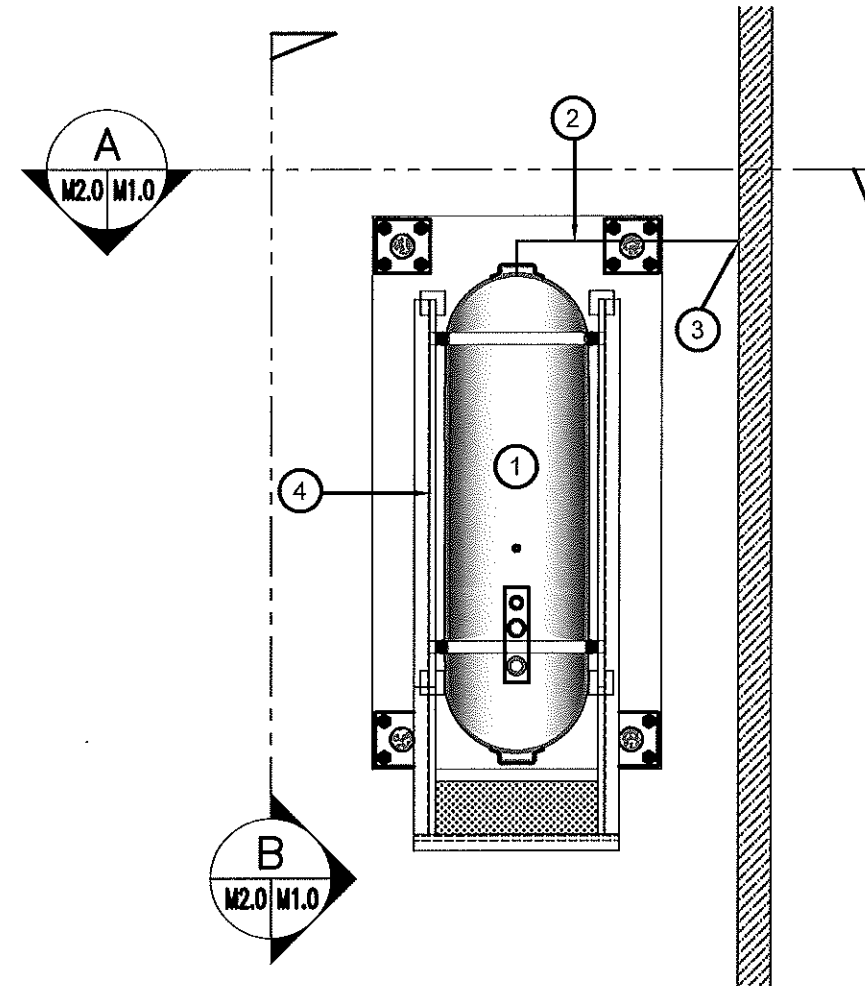
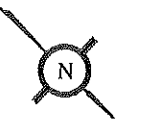
DRAWING NUMBER:
M3.0
REVISION NUMBER:
00



01 DEMOLITION PLAN
M1.0 SCALE: NTS

DEMOLITION NOTES:

1. REMOVE ALL FUEL FROM THE TANK AND DISPOSE OF AS PER LOCAL REGULATIONS
2. REMOVE EXISTING OIL TANK STAND AND PAD DISPOSE OF AS PER LOCAL REGULATIONS



02 CONSTRUCTION PLAN
M1.0 SCALE: NTS

CONSTRUCTION NOTES: #

1. INSTALL NEW OIL TANK, STAND AND CONCRETE PAD. SEE SHEET M2.0.
2. INSTALL NEW BOLLARDS.
3. CAULK ENTRY INTO BUILDING.
4. INSTALL NEW OIL TANK STAND #2 - SEE STRUCTURAL FOR DETAILS.

INTERIOR REPAIR NOTES:

1. INSTALL NEW TIGER LOOP.



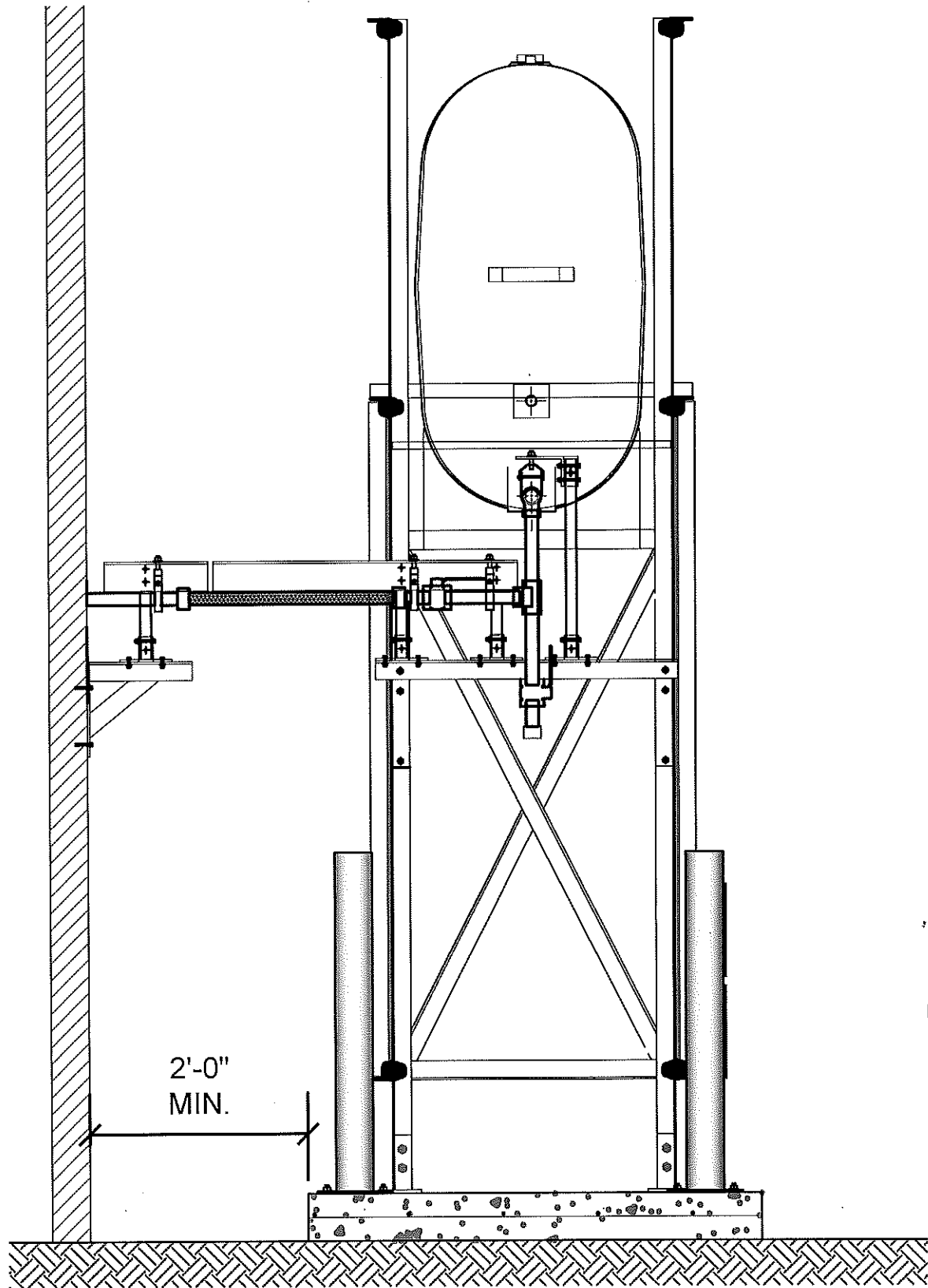
PROJECT TITLE:
RCMP "V" DIVISION OIL TANK REPLACEMENT - IGLOOLIK
V158 - GARAGE / WORKSHOP, IGLOOLIK
SHEET TITLE:
DEMOLITION AND CONSTRUCTION PLAN
PROJECT NUMBER:
16-028-14-30

REV. #	REVISION	DATE (YY MM DD)	REV. BY
00	ISSUED FOR TENDER	17 06 09	JLS

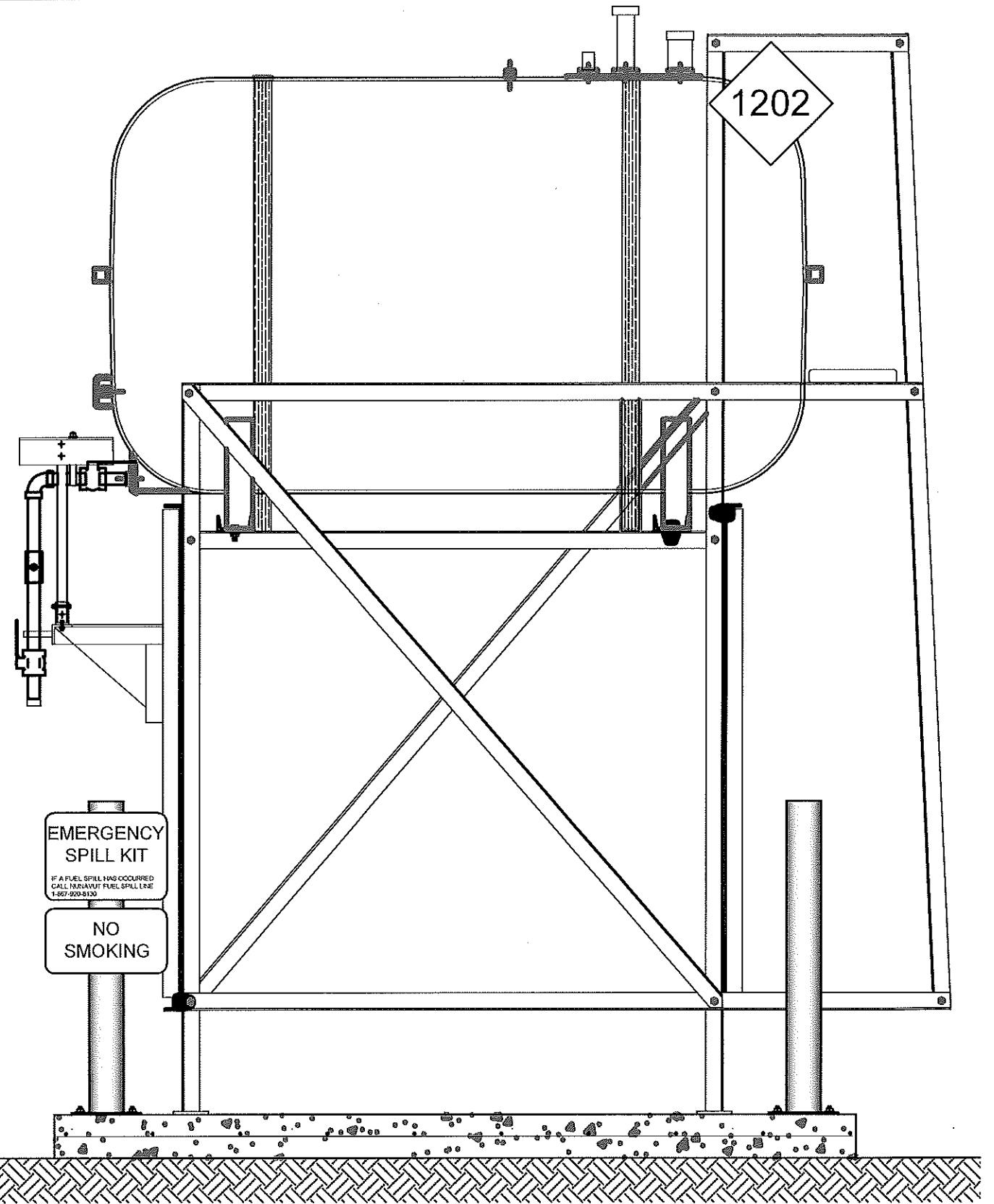
REV. #	REVISION	DATE (YY MM DD)	REV. BY

SCALE:
AS NOTED
DATE (YY MM DD):
17 03 03

DRAWING NUMBER:
M1.0
REVISION NUMBER:
03



01 OIL TANK ELEVATION - A
M2.0 SCALE: 3/4"-1'-0"



02 OIL TANK ELEVATION - B
M2.0 SCALE: 3/4"-1'-0"



PROJECT TITLE:
RCMP "V" DIVISION OIL TANK REPLACEMENT - IGLOOLIK
V158 - GARAGE / WORKSHOP, IGLOOLIK
SHEET TITLE:
TANK ELEVATIONS
PROJECT NUMBER:
16-028-14-30

00	ISSUED FOR TENDER	17 06 09	JLS
REV. #	REVISION	DATE (YY MM DD)	REV. BY

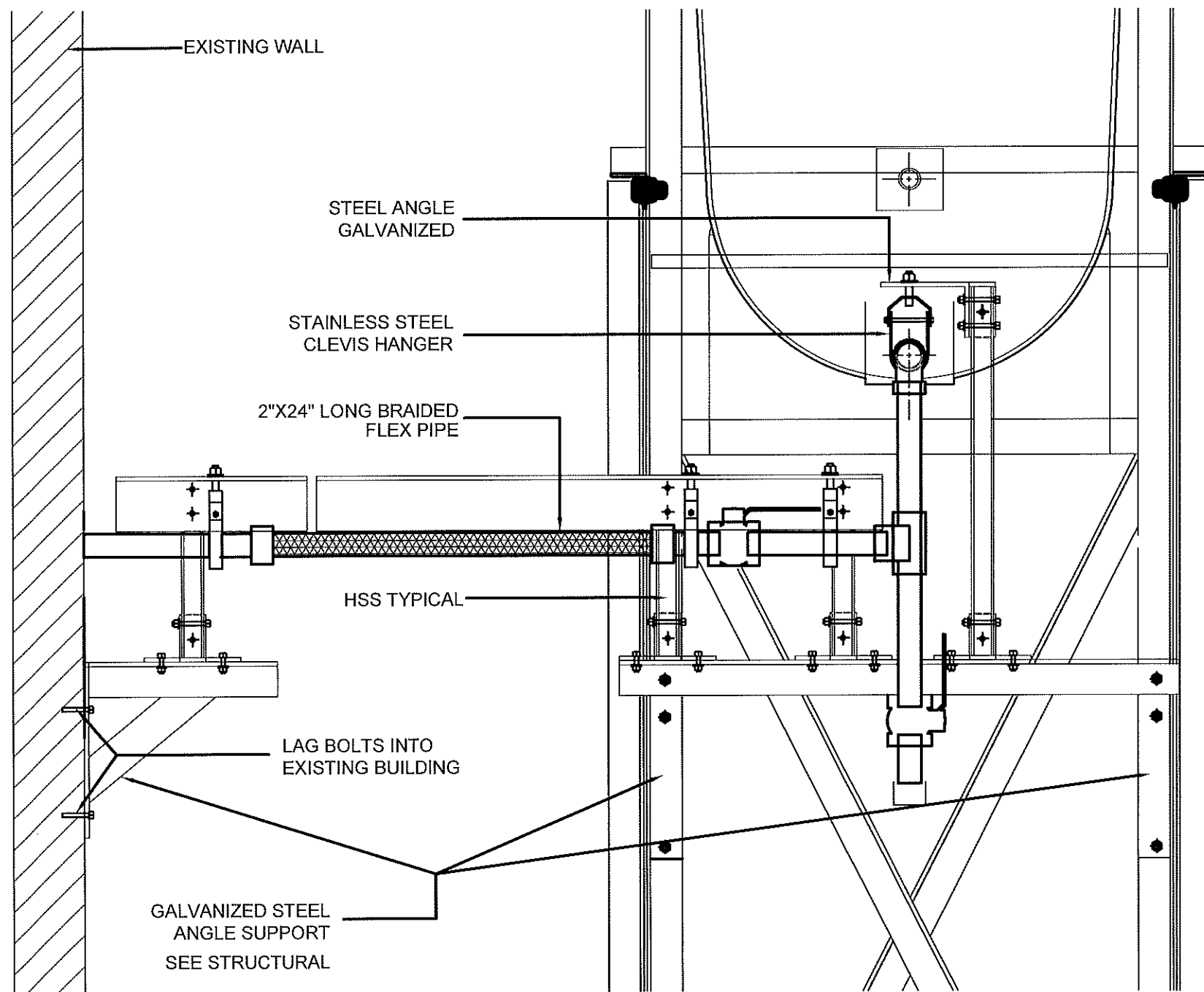
REV. #	REVISION	DATE (YY MM DD)	REV. BY
--------	----------	-----------------	---------

SCALE:
AS NOTED
DATE (YY MM DD):
17 03 03

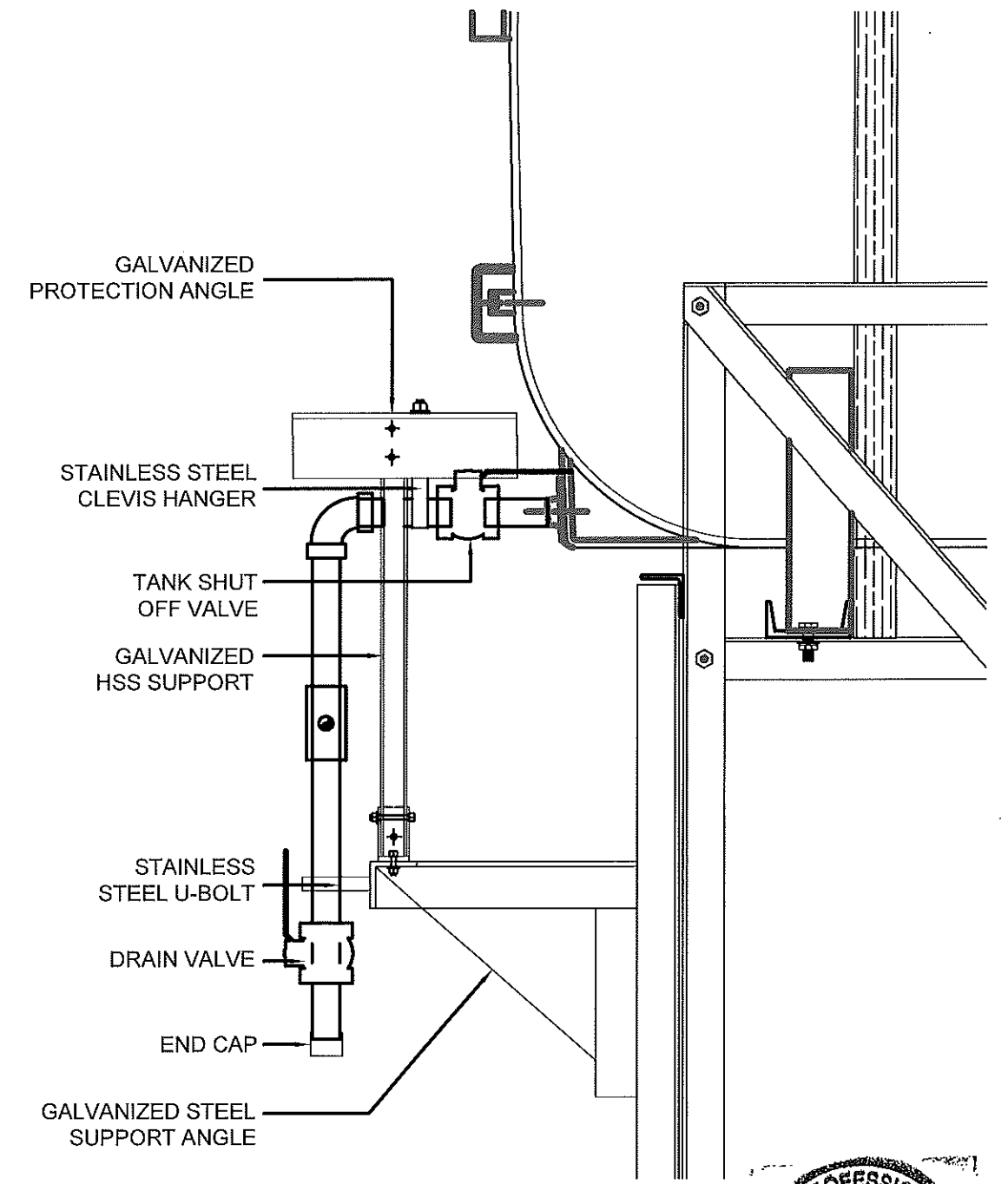
DRAWING NUMBER:

M2.0

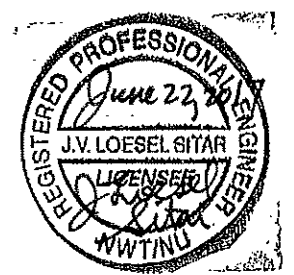
REVISION NUMBER:
00



01 FRONT VIEW
M2.1 SCALE: 1 1/2"-1'-0"



02 SIDE VIEW
M2.1 SCALE: 1 1/2"-1'-0"



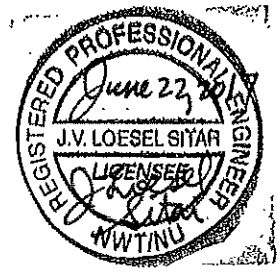
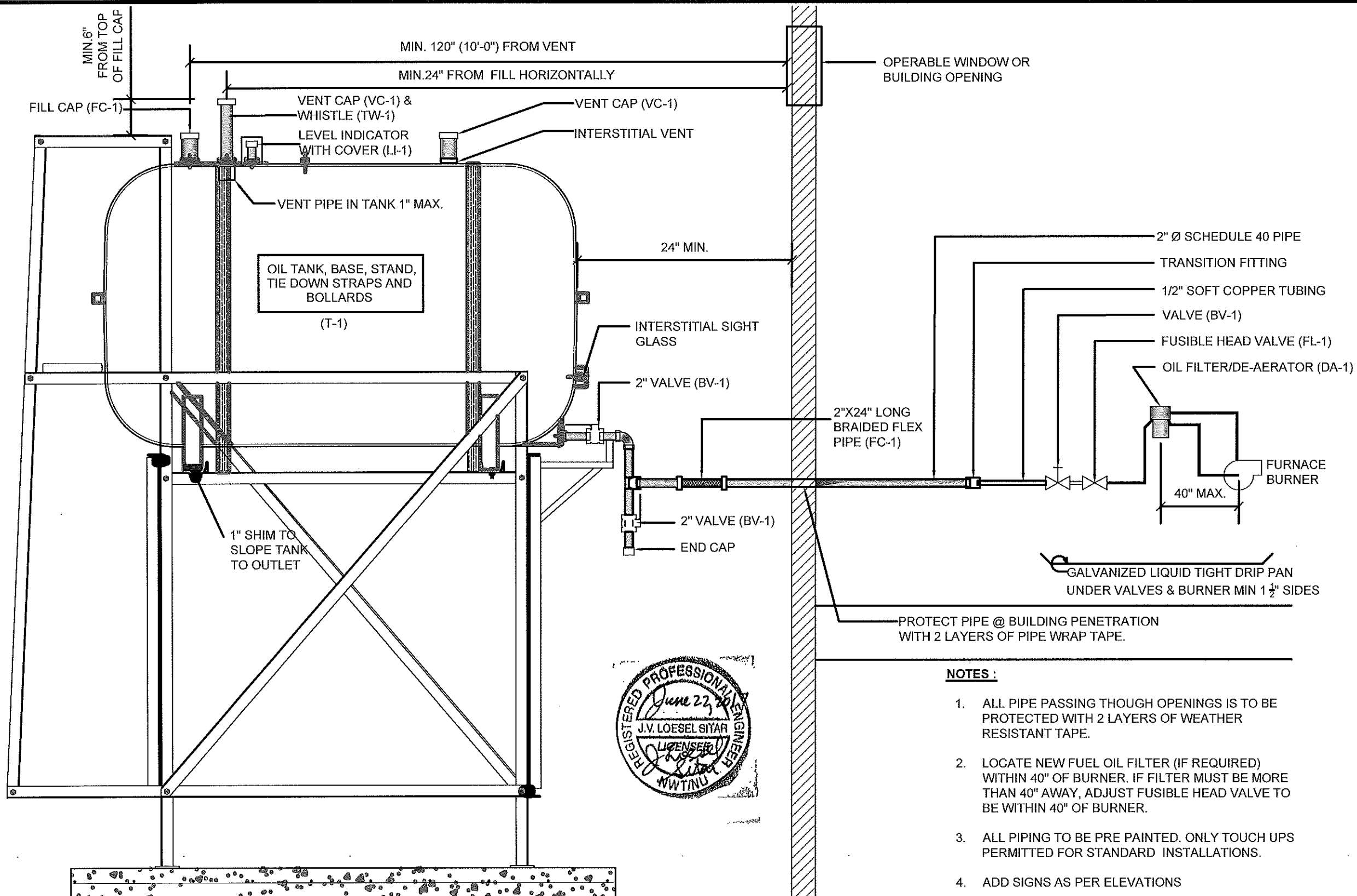
PROJECT TITLE:
RCMP "V" DIVISION OIL TANK REPLACEMENT - IGLOOLIK
V158 - GARAGE / WORKSHOP, IGLOOLIK
SHEET TITLE:
2" FUEL LINE SUPPORT DETAIL
PROJECT NUMBER:
16-028-14-30

REV. #	REVISION	DATE (YY MM DD)	REV. BY
00	ISSUED FOR TENDER	17 06 09	JLS

REV. #	REVISION	DATE (YY MM DD)	REV. BY

SCALE:
AS NOTED
DATE (YY MM DD):
17 03 03

DRAWING NUMBER:
M2.1
REVISION NUMBER:
00



- NOTES :**
1. ALL PIPE PASSING THOUGH OPENINGS IS TO BE PROTECTED WITH 2 LAYERS OF WEATHER RESISTANT TAPE.
 2. LOCATE NEW FUEL OIL FILTER (IF REQUIRED) WITHIN 40" OF BURNER. IF FILTER MUST BE MORE THAN 40" AWAY, ADJUST FUSIBLE HEAD VALVE TO BE WITHIN 40" OF BURNER.
 3. ALL PIPING TO BE PRE PAINTED. ONLY TOUCH UPS PERMITTED FOR STANDARD INSTALLATIONS.
 4. ADD SIGNS AS PER ELEVATIONS

01 SCHEMATIC - TANK, PIPING & ACCESSORIES : ON STAND
M3.0 SCALE: NTS



PROJECT TITLE:
RCMP "V" DIVISION OIL TANK REPLACEMENT - IGLOOLIK
V158 - GARAGE / WORKSHOP, IGLOOLIK
SHEET TITLE:
SCHEMATIC - TANK, PIPING & ACCESSORIES
PROJECT NUMBER:
16-028-14-30

00	ISSUED FOR TENDER	17 06 09	JLS
REV. #	REVISION	DATE (YY MM DD)	REV. BY

REV. #	REVISION	DATE (YY MM DD)	REV. BY
--------	----------	-----------------	---------

SCALE:
AS NOTED
DATE (YY MM DD):
17 06 09

DRAWING NUMBER:
M3.0
REVISION NUMBER:
00



FRONT

V159 Residence Site Plan
IGLOOLIK

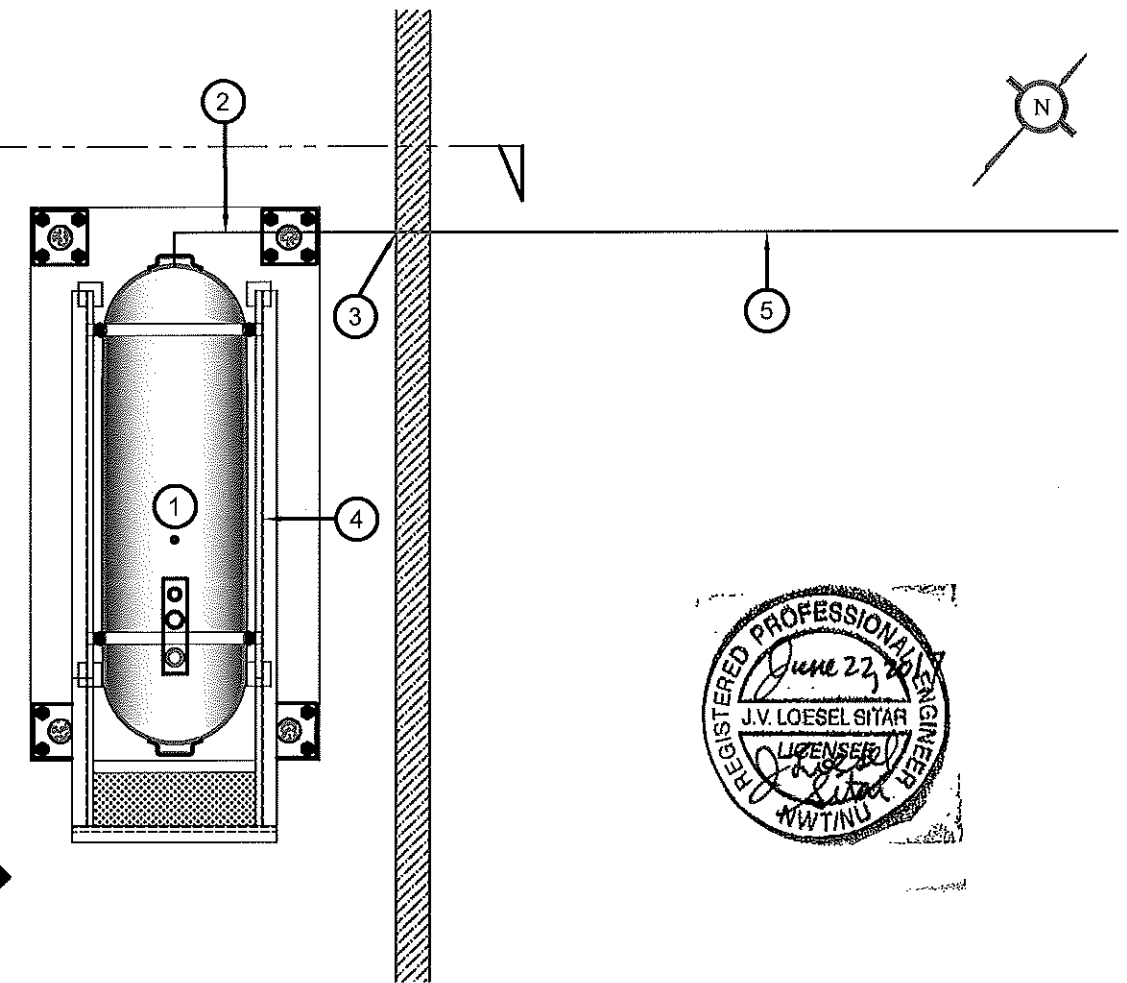


MECHANICAL ROOM

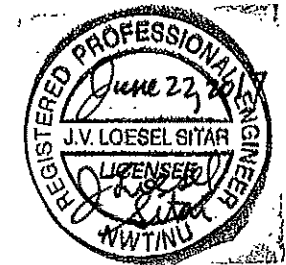
01 DEMOLITION PLAN
M1.0 SCALE: NTS

DEMOLITION NOTES:

1. REMOVE ALL FUEL FROM THE TANK AND DISPOSE OF AS PER LOCAL REGULATIONS
2. REMOVE EXISTING OIL TANK STAND AND PAD DISPOSE OF AS PER LOCAL REGULATIONS



02 CONSTRUCTION PLAN
M1.0 SCALE: NTS



CONSTRUCTION NOTES: #

1. INSTALL NEW OIL TANK, STAND AND CONCRETE PAD. SEE SHEET M2.0
2. INSTALL NEW PIPING SUPPORT AS PER SHEET M2.1
3. CAULK ENTRY INTO BUILDING.
4. INSTALL NEW OIL TANK STAND TYPE #3.
5. INSTALL NEW PIPING IN CRAWL SPACE TO MECHANICAL ROOM. APPROXIMATELY 30'-0" FROM EXTERIOR WALL TO MECHANICAL ROOM. INSTALL AS PER SPECIFICATIONS.

INTERIOR REPAIR NOTES:

1. INSTALL NEW PIPING, VALVES, FUEL FILTER AND FUSIBLE LINK FROM ENTRY TO MECHANICAL ROOM.



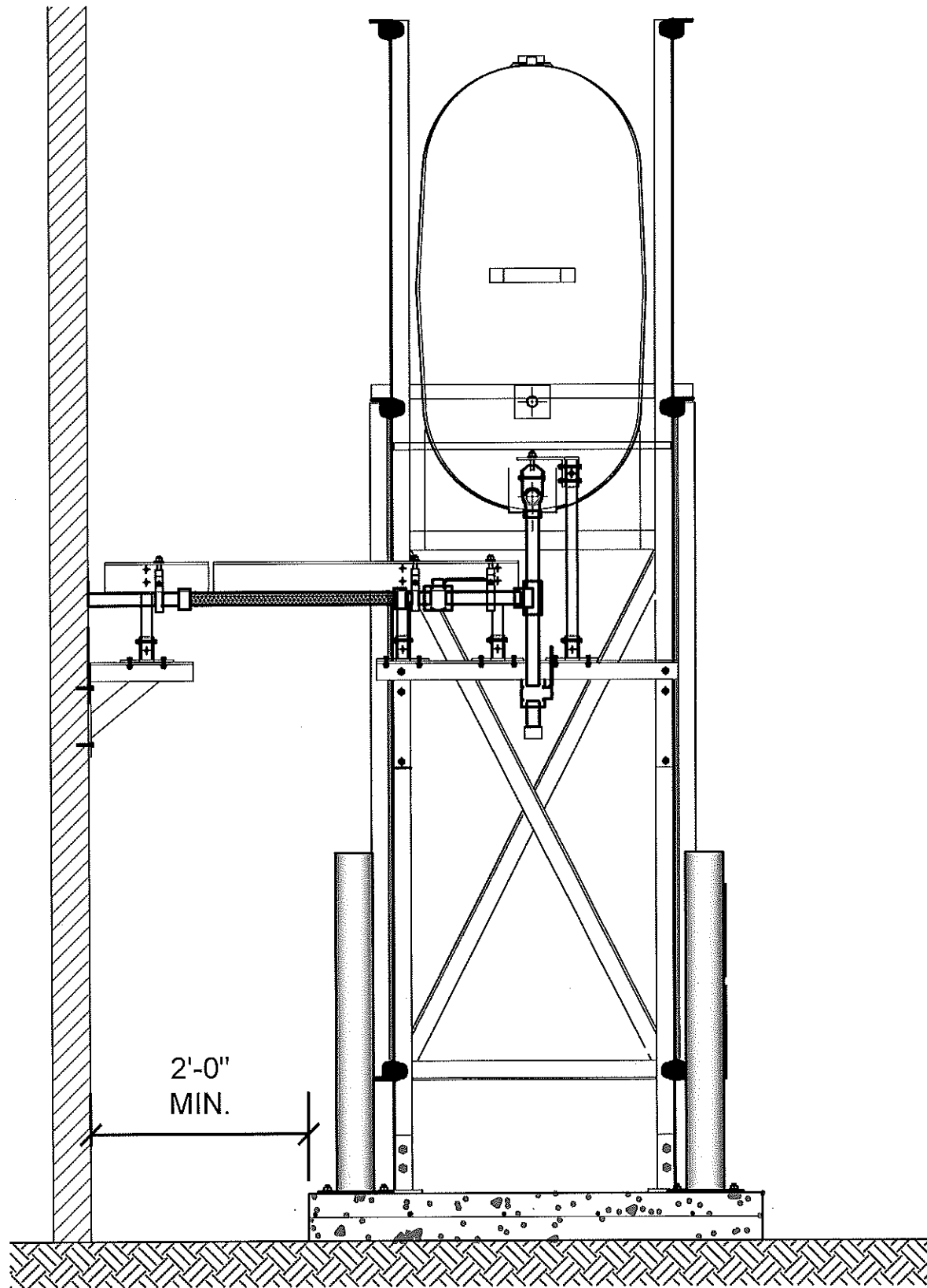
PROJECT TITLE:
RCMP "V" DIVISION OIL TANK REPLACEMENT - IGLOOLIK
V159 - RESIDENCE, IGLOOLIK
SHEET TITLE:
DEMOLITION AND CONSTRUCTION PLAN
PROJECT NUMBER:
16-028-14-30

00 ISSUED FOR TENDER 17 06 09 JLS
REV. # REVISION DATE (YY MM DD) REV. BY

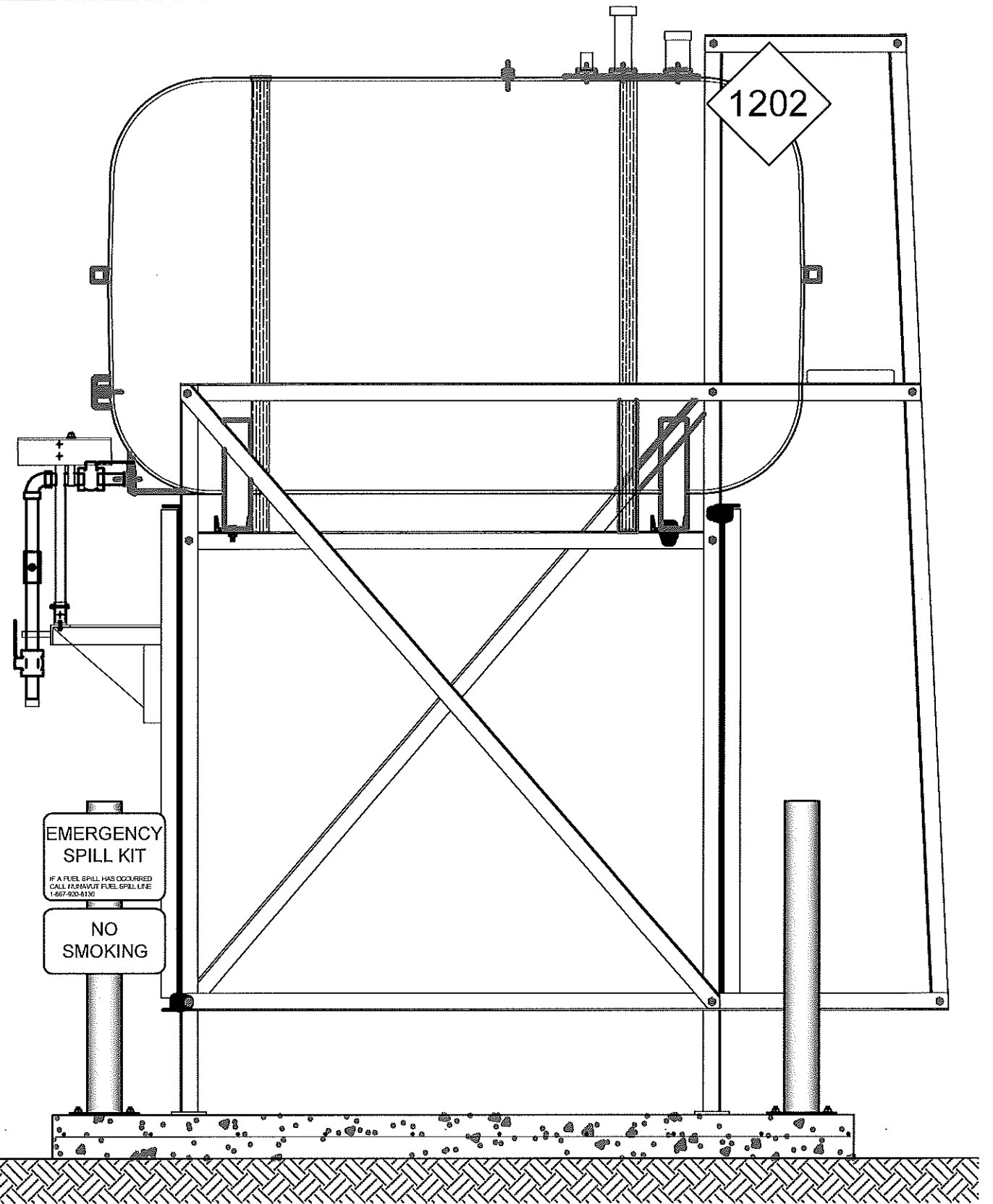
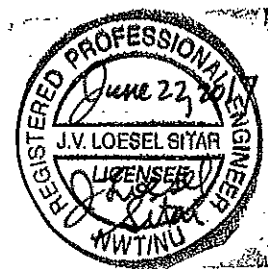
REV. # REVISION DATE (YY MM DD) REV. BY

SCALE:
AS NOTED
DATE (YY MM DD):
17 06 09

DRAWING NUMBER:
M1.0
REVISION NUMBER:
00



01 OIL TANK ELEVATION - A
M2.0 SCALE: 3/4"-1'-0"



02 OIL TANK ELEVATION - B
M2.0 SCALE: 3/4"-1'-0"



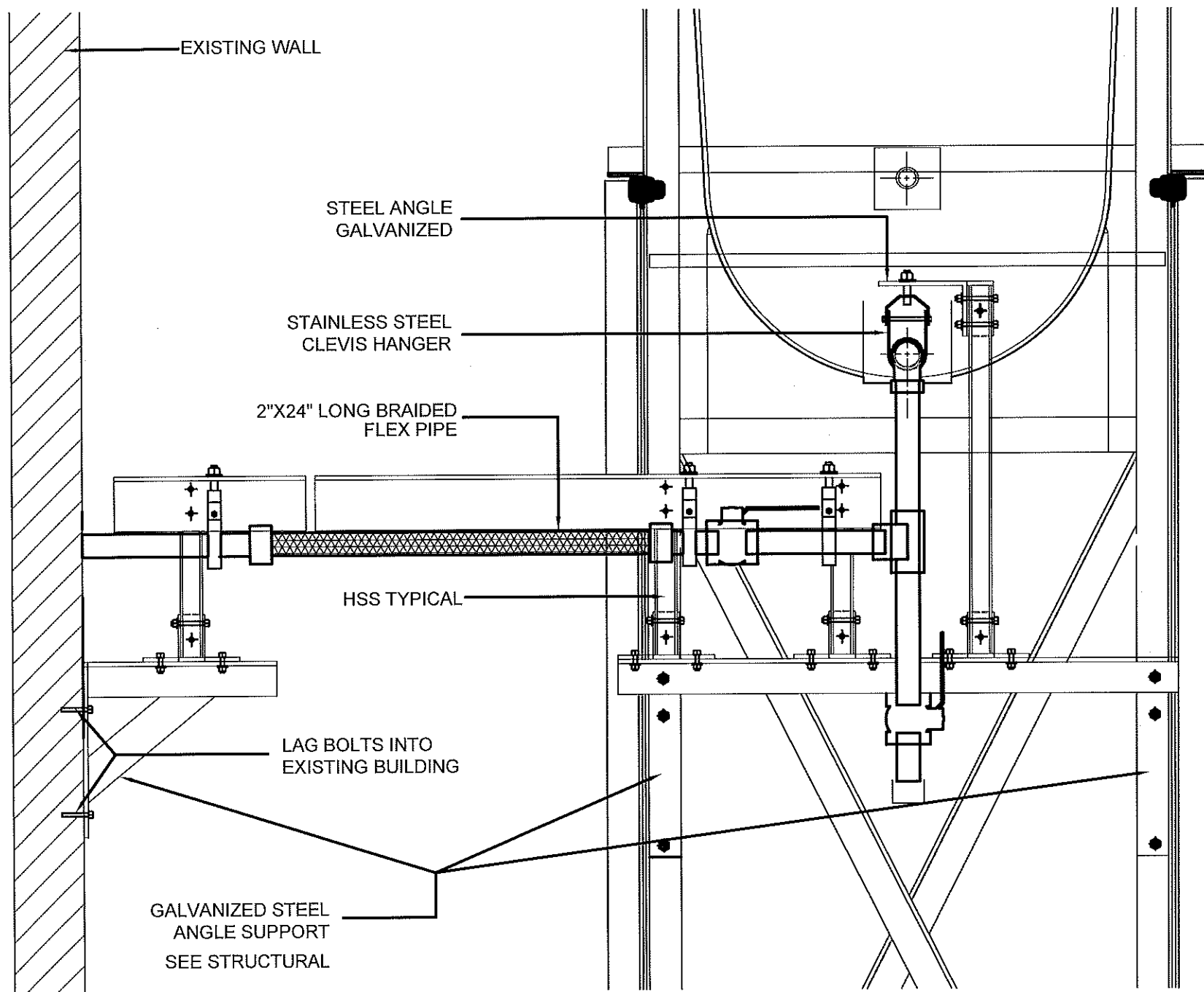
PROJECT TITLE:
RCMP "V" DIVISION OIL TANK REPLACEMENT - IGLOOLIK
V159 - RESIDENCE, IGLOOLIK
SHEET TITLE:
TANK ELEVATIONS
PROJECT NUMBER:
16-028-14-30

00	ISSUED FOR TENDER	17 06 09	JLS
REV. #	REVISION	DATE (YY MM DD)	REV. BY

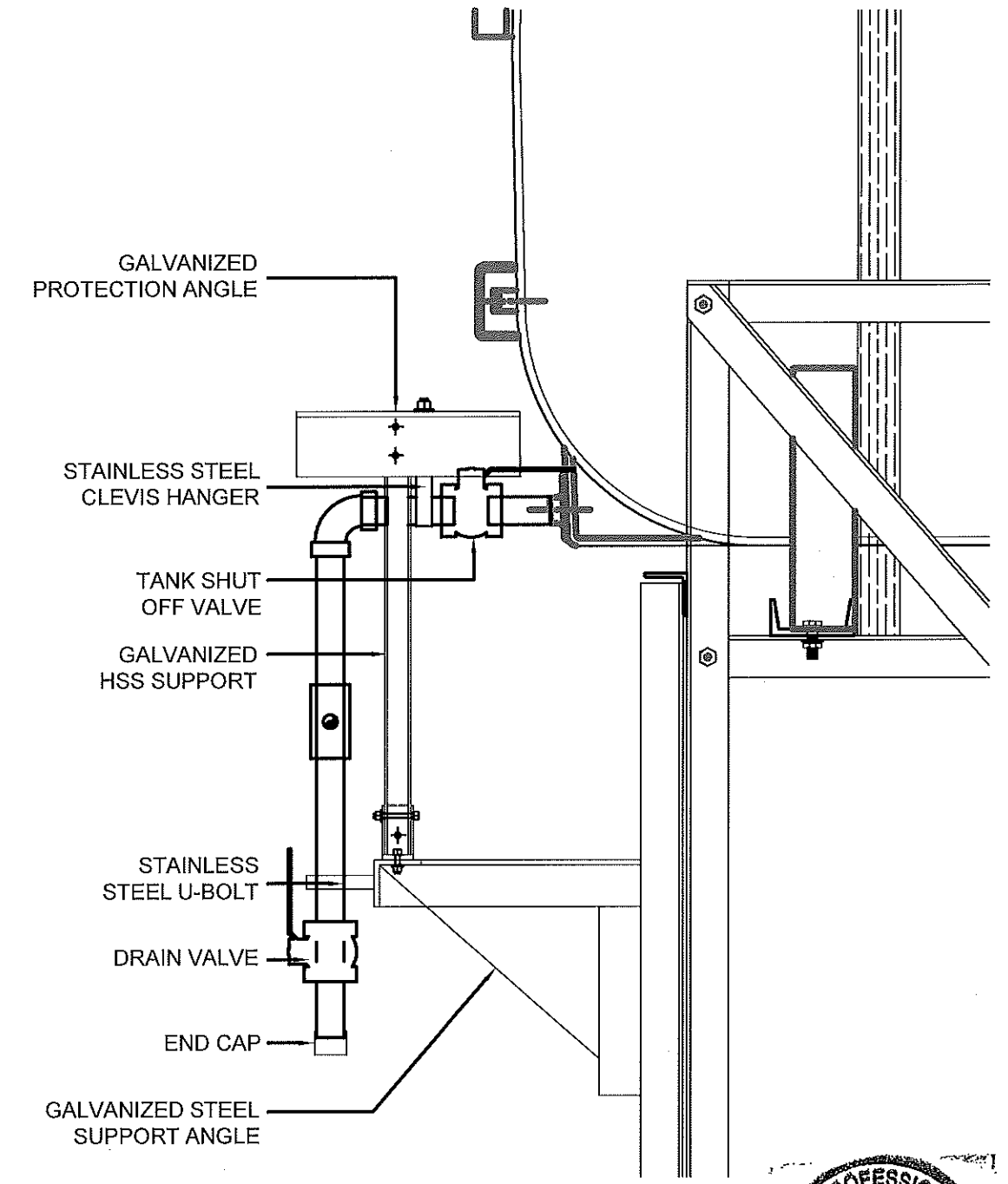
REV. #	REVISION	DATE (YY MM DD)	REV. BY
--------	----------	-----------------	---------

SCALE:
AS NOTED
DATE (YY MM DD):
17 06 09

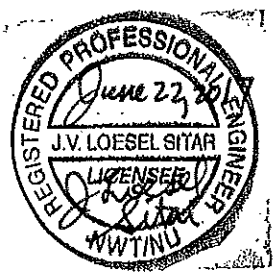
DRAWING NUMBER:
M2.0
REVISION NUMBER:
00



01 FRONT VIEW
M2.1 SCALE: 1 1/2\"/>



02 SIDE VIEW
M2.1 SCALE: 1 1/2\"/>



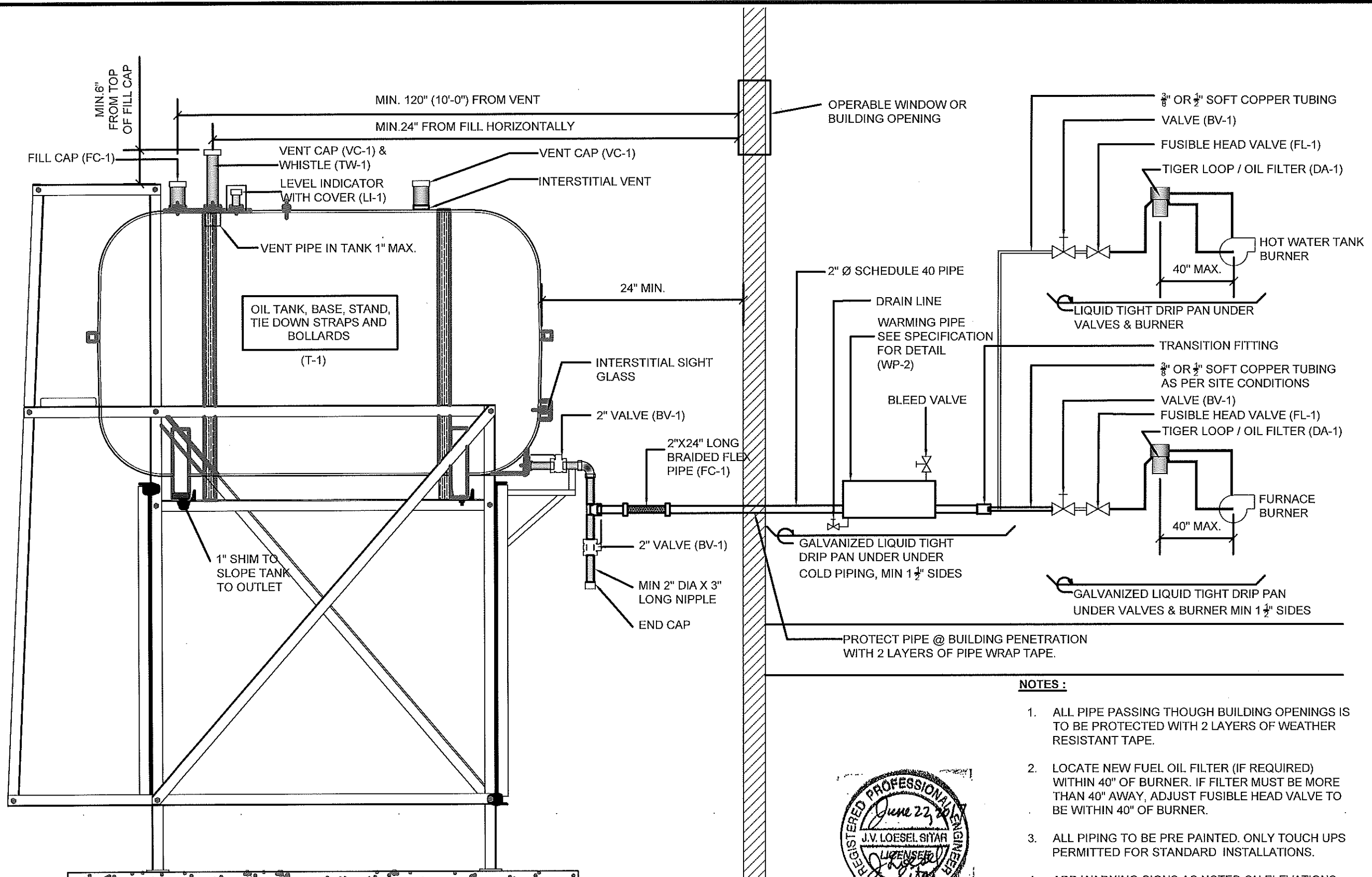
PROJECT TITLE:
RCMP "V" DIVISION OIL TANK REPLACEMENT - IGLOOLIK
V159 - RESIDENCE, IGLOOLIK
SHEET TITLE:
2" FUEL LINE SUPPORT DETAIL
PROJECT NUMBER:
16-028-14-30

REV. #	REVISION	DATE (YY MM DD)	REV. BY
00	ISSUED FOR TENDER	17 06 09	JLS

REV. #	REVISION	DATE (YY MM DD)	REV. BY

SCALE:
AS NOTED
DATE (YY MM DD):
17 06 09

DRAWING NUMBER:
M2.1
REVISION NUMBER:
00

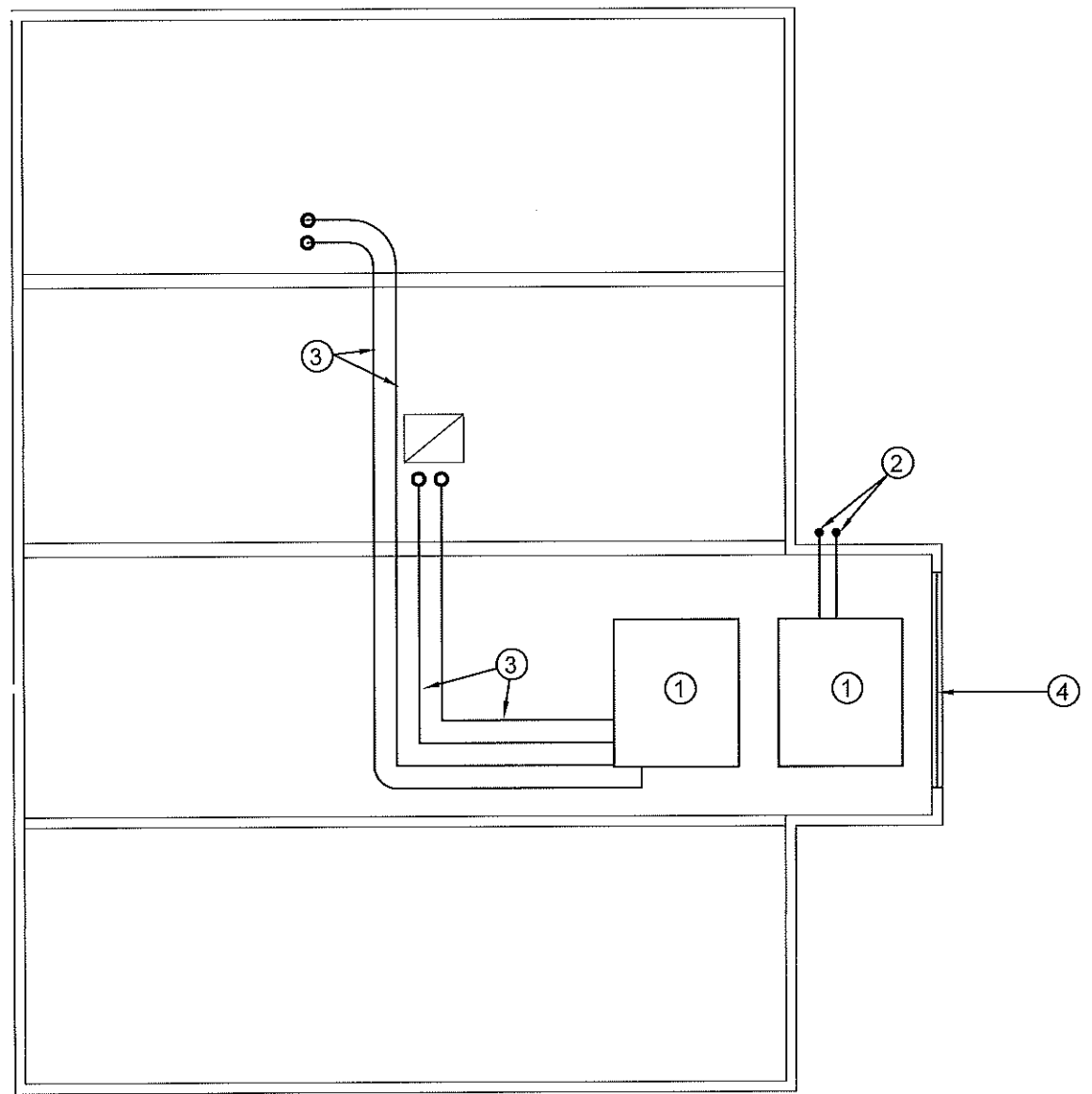
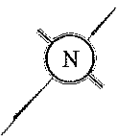


01 SCHEMATIC - TANK, PIPING & ACCESSORIES : ON STAND
 M3.0 SCALE: NTS

NOTES :

1. ALL PIPE PASSING THOUGH BUILDING OPENINGS IS TO BE PROTECTED WITH 2 LAYERS OF WEATHER RESISTANT TAPE.
2. LOCATE NEW FUEL OIL FILTER (IF REQUIRED) WITHIN 40" OF BURNER. IF FILTER MUST BE MORE THAN 40" AWAY, ADJUST FUSIBLE HEAD VALVE TO BE WITHIN 40" OF BURNER.
3. ALL PIPING TO BE PRE PAINTED. ONLY TOUCH UPS PERMITTED FOR STANDARD INSTALLATIONS.
4. ADD WARNING SIGNS AS NOTED ON ELEVATIONS





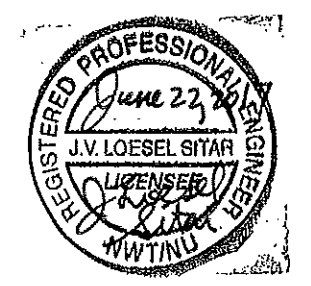
DRAWING NOTES: (#)

- 1. REMOVE EXISTING OIL TANK, AND CONTAINMENT IN CRAWL SPACE.
- 2. REMOVE ALL SUPPLY AND VENT PIPING AT EXTERIOR WALL
- 3. REMOVE EXISTING PIPING AND SUPPORTS.
- 4. EXISTING KNOCK OUT FOR TANK REMOVAL.

DEMOLITION NOTES:

- 1. REMOVE ALL FUEL FROM THE EXISTING TANK AND DISPOSE OF AS PER LOCAL REGULATIONS.
- 2. WORK TO BE DONE ON THE WEEKEND SO AS TO NOT IMPACT DETACHMENT OPERATIONS.
- 3. DISPOSE OF ALL PIPING AND TANK ACCESSORIES AS PER LOCAL REGULATIONS.

01 DEMOLITION PLAN CRAWL SPACE
 M1.0 SCALE: 1/8"=1'-0"



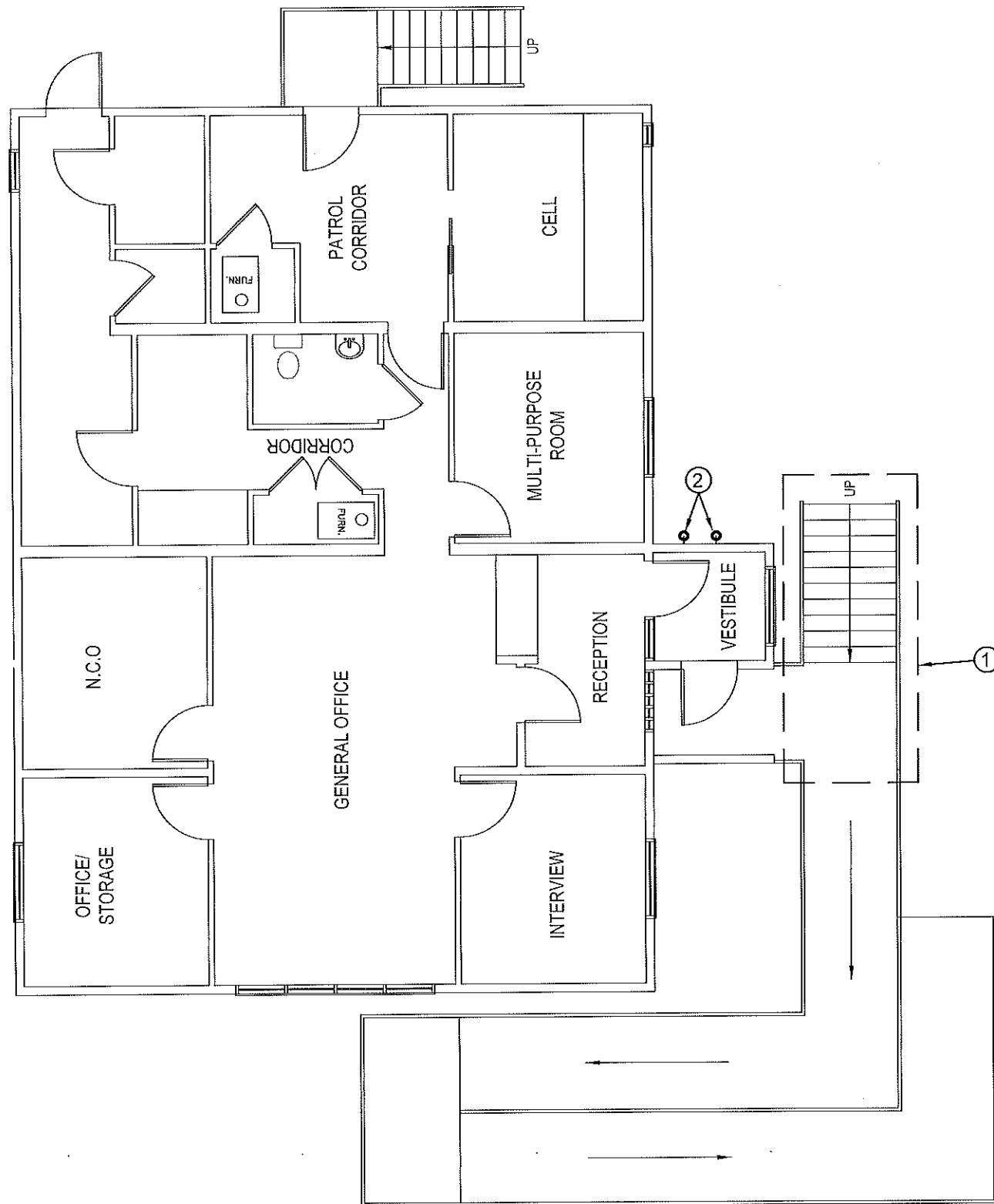
PROJECT TITLE:
 RCMP "V" DIVISION OIL TANK REPLACEMENT - IGLOOLIK
 V147 - DETACHMENT , IGLOOLIK
 SHEET TITLE:
 DEMOLITION PLAN CRAWL SPACE
 PROJECT NUMBER:
 16-028-14-30

REV. #	REVISION	DATE (YY MM DD)	REV. BY
00	ISSUED FOR TENDER	17 06 09	JLS

REV. #	REVISION	DATE (YY MM DD)	REV. BY

SCALE:
 AS NOTED
 DATE (YY MM DD):
 17 06 09

DRAWING NUMBER:
M1.0
 REVISION NUMBER:
 00

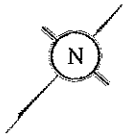


DRAWING NOTES: (#)

1. REMOVE EXISTING FRONT STAIRS AND RAMP TO REMOVE OIL TANK AND RE-INSTALL
2. REMOVE FUEL AND VENT LINES AND PATCH HOLES IN EXTERIOR OF BUILDING

DEMOLITION NOTES:

1. REMOVE ALL FUEL FROM THE EXISTING TANK AND DISPOSE OF AS PER LOCAL REGULATIONS
2. WORK TO BE DONE ON THE WEEKEND SO AS TO NOT IMPACT DETACHMENT OPERATIONS



01 DEMOLITION PLAN MAIN FLOOR
M1.1 SCALE: 1/8"=1'-0"



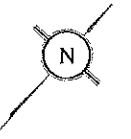
PROJECT TITLE:
RCMP "V" DIVISION OIL TANK REPLACEMENT - IGLOOLIK
V147 - DETACHMENT, IGLOOLIK
SHEET TITLE:
DEMOLITION PLAN MAIN FLOOR
PROJECT NUMBER:
16-028-14-30

00	ISSUED FOR TENDER	17 06 09	JLS
REV. #	REVISION	DATE (YY MM DD)	REV. BY

REV. #	REVISION	DATE (YY MM DD)	REV. BY
--------	----------	-----------------	---------

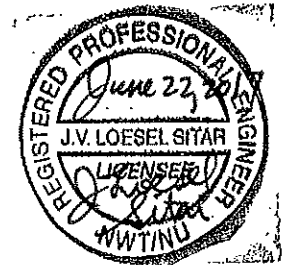
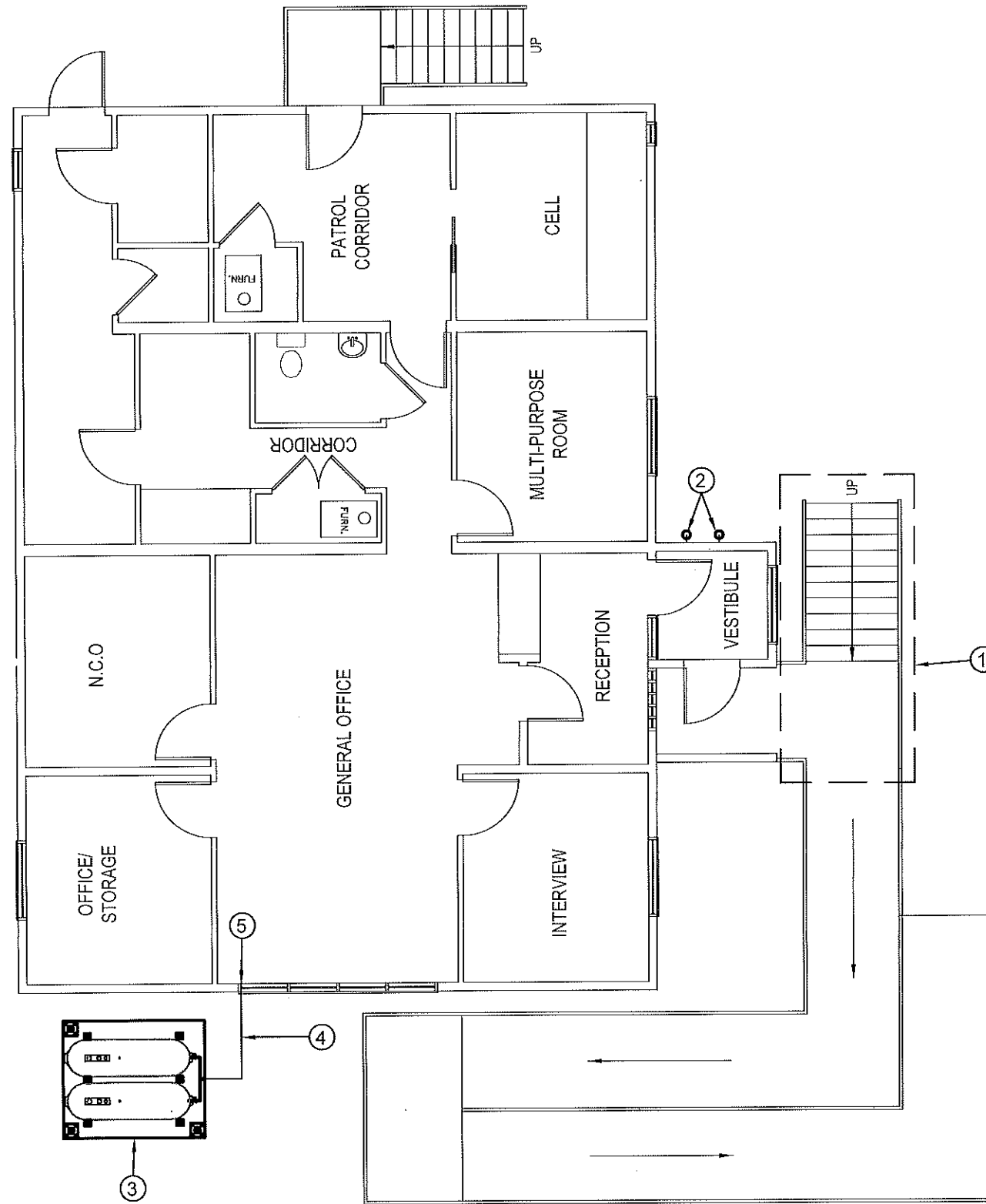
SCALE:
AS NOTED
DATE (YY MM DD):
17 06 09

DRAWING NUMBER:
M1.1
REVISION NUMBER:
00



DRAWING NOTES: #

1. REMOVE EXISTING FRONT STAIRS AND RAMP TO REMOVE OIL TANK AND RE-INSTALL
2. REMOVE FUEL AND VENT LINES AND PATCH HOLES IN EXTERIOR OF BUILDING
3. INSTALL 2 NEW FUEL TANKS, STAND AND CONCRETE BASE
4. INSTALL NEW PIPING SUPPORTS AND PROTECTION AS PER DETAILS
5. CAULK ENTRY INTO BUILDING



01 MAIN FLOOR PLAN
M2.0 SCALE: 1/8"=1'-0"



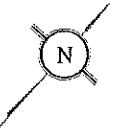
PROJECT TITLE:
RCMP "V" DIVISION OIL TANK REPLACEMENT - IGLOOKIK
V147 - DETACHMENT, IGLOOKIK
SHEET TITLE:
CONSTRUCTION PLAN MAIN FLOOR
PROJECT NUMBER:
16-028-14-30

00 ISSUED FOR TENDER 17 06 09 JLS
REV. # REVISION DATE (YY MM DD) REV. BY

REV. # REVISION DATE (YY MM DD) REV. BY

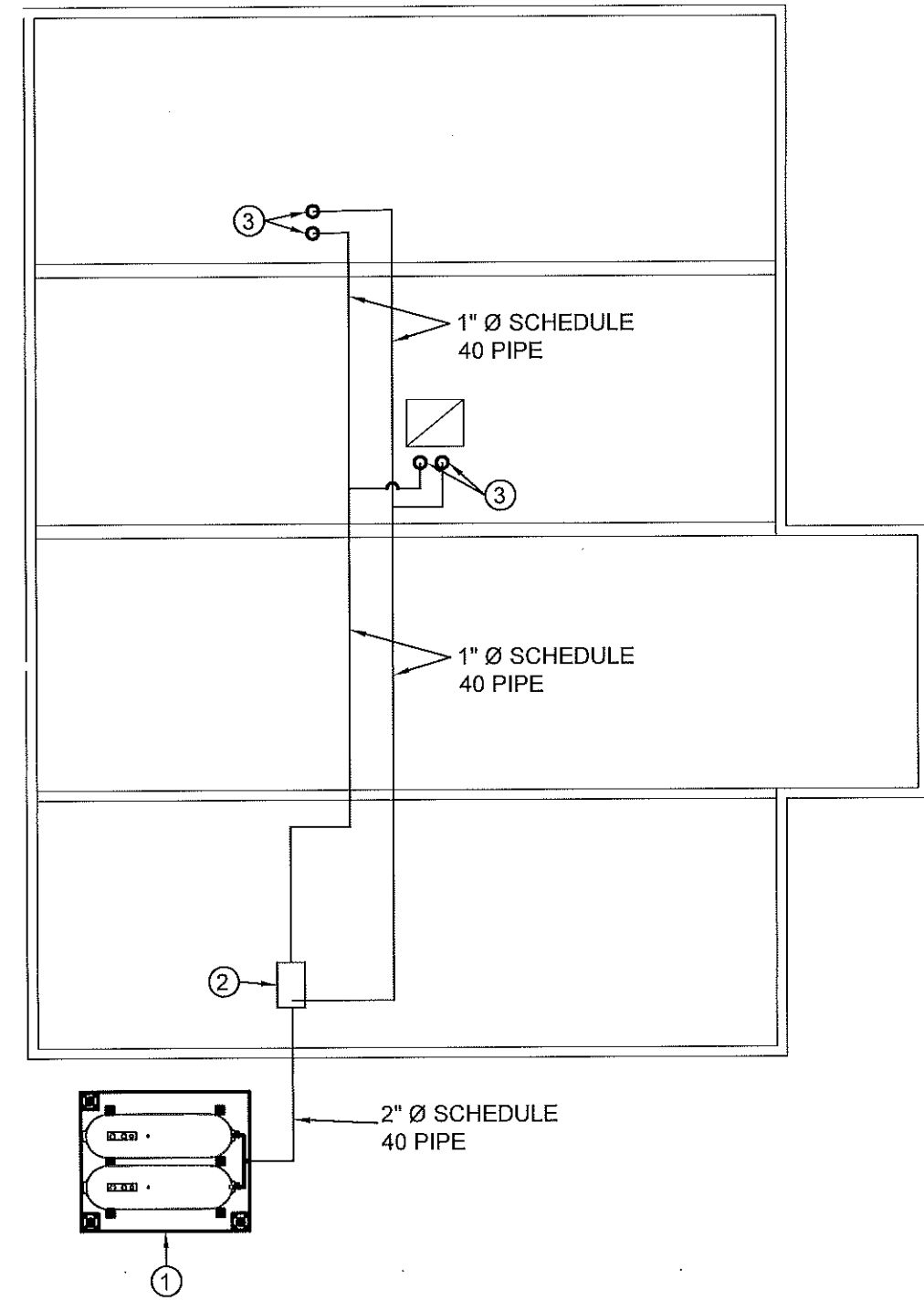
SCALE:
AS NOTED
DATE (YY MM DD):
17 06 09

DRAWING NUMBER:
M2.0
REVISION NUMBER:
00



DRAWING NOTES: #

1. NEW OIL TANKS, STAND AND CONCRETE PAD
2. NEW WARMING PIPE SEE SCHEMATIC FOR DETAILS M3.0.
3. CONNECT NEW SUPPLY AND RETURN LINES FROM EXISTING FURNACES TO NEW 1" SUPPLY LINE



01 CRAWL SPACE PLAN
 M2.1 SCALE: 1/8"=1'-0"



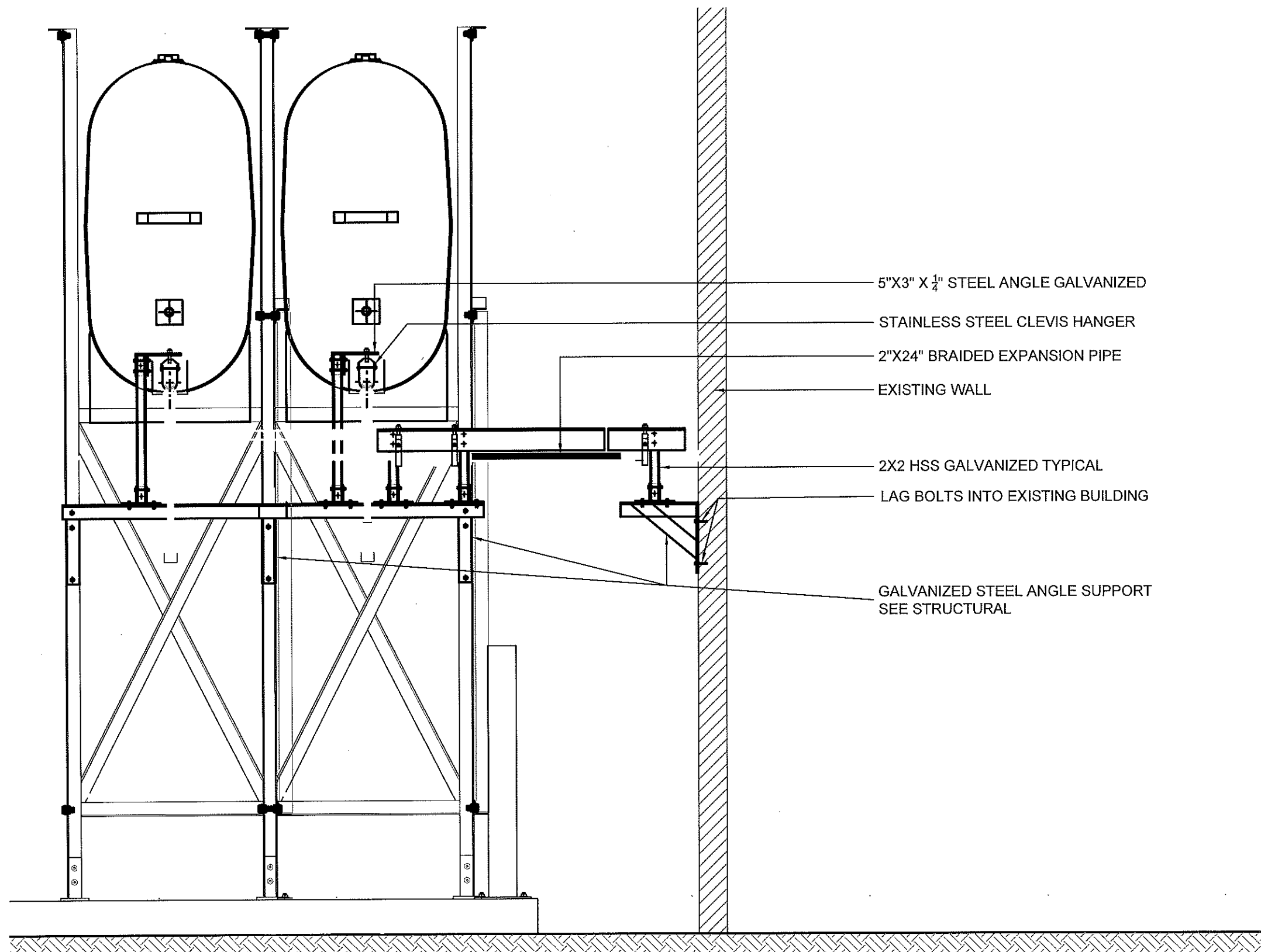
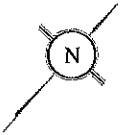
PROJECT TITLE:
 RCMP "V" DIVISION OIL TANK REPLACEMENT - IGLOOLIK
 V147 - DETACHMENT, IGLOOLIK
 SHEET TITLE:
 CONSTRUCTION PLAN CRAWL SPACE
 PROJECT NUMBER:
 16-028-14-30

REV. #	REVISION	DATE (YY MM DD)	REV. BY
00	ISSUED FOR TENDER	17 06 09	JLS

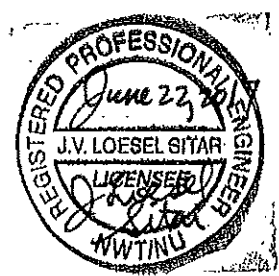
REV. #	REVISION	DATE (YY MM DD)	REV. BY

SCALE:
 AS NOTED
 DATE (YY MM DD):
 17 06 09

DRAWING NUMBER: M2.1
REVISION NUMBER: 00



01 OIL TANK ELEVATION - A
M2.2 SCALE: 3/4"=1'-0"



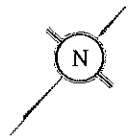
PROJECT TITLE:
RCMP "V" DIVISION OIL TANK REPLACEMENT - IGLOOLIK
V147 - DETACHMENT, IGLOOLIK
SHEET TITLE:
ELEVATIONS
PROJECT NUMBER:
16-028-14-30

00 ISSUED FOR TENDER 17 06 09 JLS
REV. # | REVISION | DATE (YY MM DD) | REV. BY

REV. # | REVISION | DATE (YY MM DD) | REV. BY

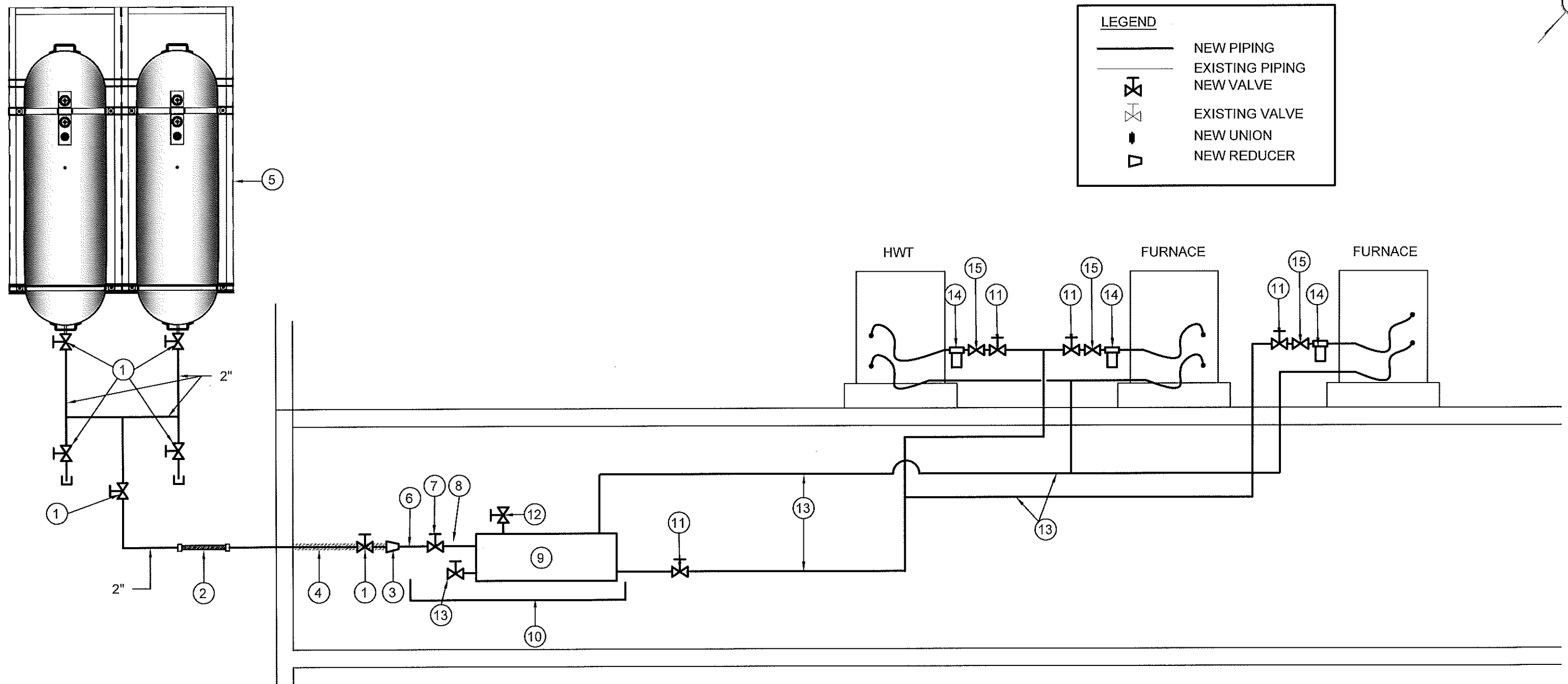
SCALE:
AS NOTED
DATE (YY MM DD):
17 06 09

DRAWING NUMBER:
M2.2
REVISION NUMBER:
00



LEGEND

- NEW PIPING
- EXISTING PIPING
- NEW VALVE
- EXISTING VALVE
- NEW UNION
- NEW REDUCER



DRAWING NOTES: (#)

- | | |
|---|--|
| <ul style="list-style-type: none"> 1. NEW VALVE 2" (BV-1) 2. 2"X24" LONG BRAIDED FLEX PIPE (FC-1) 3. NEW REDUCER 2" TO 1" 4. INSULATE 2" PIPE FROM EXTERIOR WALL TO 1" PIPE. 5. 2 - FIBERGLASS OIL TANKS, STANDS AND CONCRETE BASE. SEE DETAILS SHEET M2.1 AND M2.2 6. SCHEDULE 40 FUEL LINE 1" DIA 7. NEW VALVE | <ul style="list-style-type: none"> 8. NOT USED 9. NEW WARMING PIPE WP-1 C/W SUPPORTS 10. NEW GALVANIZED DRIPTRAY UNDER COLD PIPING MIN SIDE MIN 1 1/2" 11. NEW DRAIN VALVE (BV-1) 12. BLEED VALVE 13. 1" FUEL LINES SCHEDULE 40 14. NEW TIGER LOOP/FILTER 15. NEW FUSIBLE LINK |
|---|--|



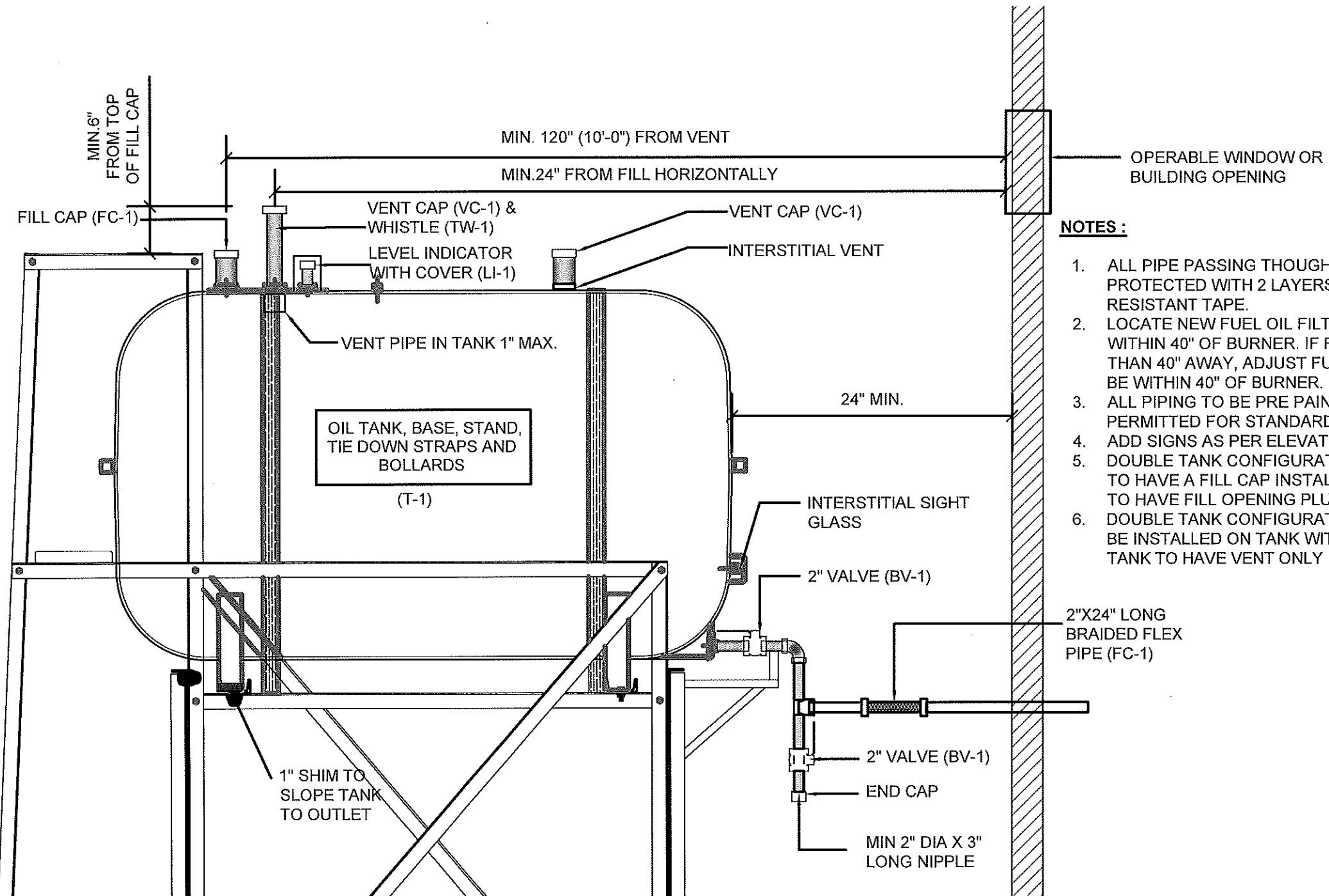
PROJECT TITLE:
RCMP "V" DIVISION OIL TANK REPLACEMENT - IGLOOLIK
V147 - DETACHMENT, IGLOOLIK
SHEET TITLE:
CONSTRUCTION PLAN
PROJECT NUMBER:
16-028-14-30

00 ISSUED FOR TENDER 17 06 09 JLS
REV. # | REVISION | DATE (YY MM DD) | REV. BY

REV. # | REVISION | DATE (YY MM DD) | REV. BY

SCALE:
AS NOTED
DATE (YY MM DD):
17 02 23

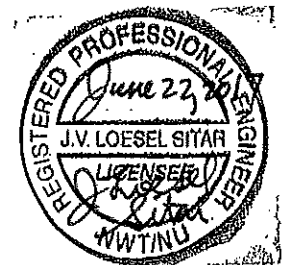
DRAWING NUMBER:
M3.0
REVISION NUMBER:
00



NOTES :

1. ALL PIPE PASSING THROUGH OPENINGS IS TO BE PROTECTED WITH 2 LAYERS OF WEATHER RESISTANT TAPE.
2. LOCATE NEW FUEL OIL FILTER (IF REQUIRED) WITHIN 40" OF BURNER. IF FILTER MUST BE MORE THAN 40" AWAY, ADJUST FUSIBLE HEAD VALVE TO BE WITHIN 40" OF BURNER.
3. ALL PIPING TO BE PRE PAINTED. ONLY TOUCH UPS PERMITTED FOR STANDARD INSTALLATIONS.
4. ADD SIGNS AS PER ELEVATIONS
5. DOUBLE TANK CONFIGURATION: ONLY ONE TANK IS TO HAVE A FILL CAP INSTALLED. ADJACENT TANK IS TO HAVE FILL OPENING PLUGGED.
6. DOUBLE TANK CONFIGURATION: VENT WHISTLE TO BE INSTALLED ON TANK WITH FILL CAP. ADJACENT TANK TO HAVE VENT ONLY

01 TYPICAL TANK SCHEMATIC
M3.1 SCALE: NTS



PROJECT TITLE:
RCMP "V" DIVISION OIL TANK REPLACEMENT - IGLOOKIK
V147 - DETACHMENT, IGLOOKIK
SHEET TITLE:
SCHEMATIC
PROJECT NUMBER:
16-028-14-30

00	ISSUED FOR TENDER	17 06 09	JLS
REV. #	REVISION	DATE (YY MM DD)	REV. BY

REV. #	REVISION	DATE (YY MM DD)	REV. BY
--------	----------	-----------------	---------

SCALE:
AS NOTED
DATE (YY MM DD):
17 06 09

DRAWING NUMBER:

M3.1

REVISION NUMBER:
00

GENERAL NOTES:

- DO NOT SCALE DRAWINGS.
- COORDINATE AND VERIFY ALL DIMENSIONS WITH ARCHITECTURAL DRAWINGS PRIOR TO COMMENCING CONSTRUCTION.
- SEE ARCHITECTURAL DRAWINGS FOR ELEVATIONS, SLOPES, ROUGH OPENING DIMENSIONS FOR WINDOWS, DOORS, ETC.
- SEE MECHANICAL AND ELECTRICAL DRAWINGS FOR OPENINGS IN FLOORS, ROOF, WALLS, ETC.
- DO NOT CUT OR DRILL OPENINGS IN ANY STRUCTURAL MEMBERS WITHOUT WRITTEN APPROVAL FROM BEACH ROCKE ENGINEERING LTD.
- BEACH ROCKE ENGINEERING LTD. SHALL BE NOTIFIED AT LEAST 48 HOURS IN ADVANCE OF REQUIRED SITE INSPECTIONS. (TEL: 1-204-255-7251, FAX: 1-204-257-7239).
- STRUCTURAL DRAWINGS SHOW THE COMPLETED STRUCTURE. THEY DO NOT SHOW COMPONENTS WHICH MAY BE NECESSARY FOR SAFETY DURING CONSTRUCTION. THE CONTRACTOR IS RESPONSIBLE FOR CONSTRUCTION SITE SAFETY AND TO ENSURE THAT ALL SUBTRADES CONFORM TO THE LATEST REGULATIONS OF THE PROVINCIAL "BUILDING PROTECTION ACT", TO PROVIDE ALL NECESSARY SAFETY EQUIPMENT AS REQUIRED THEREIN AND TO NOTIFY LOCAL AUTHORITIES AS REQUIRED BY LAW.
- THE CONTRACTOR SHALL CONFORM TO THE COLD WEATHER REQUIREMENTS OF THE CSA STANDARD A23.1/A23.2 AND THE NATIONAL BUILDING CODE.
- IT IS THE GENERAL CONTRACTORS RESPONSIBILITY TO LOCATE ALL SITE SERVICES PRIOR TO CONSTRUCTION.
- THE GENERAL CONTRACTOR SHALL DESIGN ALL SHORING, FORM WORK, AND BRACING TO ENSURE PROPER CONSTRUCTION AND ERECTION.
- THE CONTRACTOR SHALL VISIT THE SITE, AND NOTE ALL CHARACTERISTICS AND IRREGULARITIES AFFECTING THE WORK OF THIS SECTION.
- SHOP DRAWINGS NOT STAMPED, SIGNED, AND DATED BY THE CONTRACTOR WILL BE RETURNED AND SHALL BE CONSIDERED REJECTED. SHOP DRAWINGS FOR WORK DESIGNED BY THE CONTRACTOR SHALL BEAR THE SEAL AND SIGNATURE OF A QUALIFIED PROFESSIONAL ENGINEER IN THE PROJECTS PROVINCE.
- THE CONTRACTOR SHALL SUBMIT AT LEAST 3 COPIES OF STAMPED SHOP DRAWINGS FOR ALL PRE-FABRICATED STRUCTURAL ASSEMBLIES, INCLUDING REINFORCING STEEL TO BEACH ROCKE ENGINEERING LTD. FOR REVIEW AND APPROVAL PRIOR TO FABRICATION. ALL SHOP DRAWINGS, EXCEPT REINFORCING STEEL, SHALL BEAR THE SEAL OF AN ENGINEER REGISTERED IN THE PROJECTS PROVINCE.

SLAB-ON-GRADE NOTES:

- ALL SLAB-ON-GRADE WILL EXPERIENCE MOVEMENT AND CRACKING DUE TO HEAVING AND SOIL EXPANSION RESULTING FROM THE NATURE OF THE CLAY SOIL, PREVIOUS AND PRESENT LEVEL OF VEGETATION AT THE SITE, SOIL MOISTURE LEVEL AND CONSTRUCTION PRACTICES. BEACH ROCKE ENGINEERING LTD. ACCEPTS NO LIABILITY FOR THIS CRACKING AND /OR MOVEMENT.

CONCRETE NOTES:

- CONCRETE SHALL BE MANUFACTURED AND PLACED IN ACCORDANCE WITH THE CSA STANDARDS A23.1-09/A23.2-09.
- THE CONTRACTOR SHALL PROVIDE ONE SET OF STANDARD CONCRETE CYLINDER TEST RESULTS CONDUCTED BY AN INDEPENDENT TESTING FIRM FOR EACH DAYS POUR AND AN ADDITIONAL SET OF CYLINDERS FOR EVERY 50 CUBIC METERS POURED AT NO EXTRA COST TO THE OWNER. TEST RESULTS ARE TO BE FORWARDED TO BEACH ROCKE ENGINEERING LTD. IMMEDIATELY UPON RECEIPT FROM THE TESTING FIRM.
- PROVIDE A MINIMUM 150mm (6") VOID UNDER ALL BEAMS, WALLS AND STRUCTURAL SLABS. VOID TO BE SHEARMAT OR APPROVED CARDBOARD VOIDFORM.
- VIBRATE ALL CONCRETE TO ENSURE COMPLETE CONSOLIDATION.
- THE LOCATIONS OF CONSTRUCTION JOINTS IS THE RESPONSIBILITY OF THE CONTRACTOR AND SHALL BE APPROVED BY BEACH ROCKE ENGINEERING LTD.
- WHEN THE OUTSIDE TEMPERATURE FALLS BELOW 5 DEGREES CENTIGRADE, THE CONTRACTOR SHALL CONFORM TO CSA STANDARD A23.1-09/A23.2-09 AND THE NATIONAL BUILDING CODE FOR COLD WEATHER CONCRETING PROCEDURES, AND SHALL RECIEVE WRITTEN APPROVAL FROM BEACH ROCKE ENGINEERING LTD. PRIOR TO COMMENCING CONCRETE CONSTRUCTION.
- PROVIDE $\frac{1}{8}$ " x 1" SAW CUTS AT 20" O.C. BOTH WAYS IN FLOOR SLABS UNLESS OTHERWISE NOTED ON DRAWINGS.
- CONCRETE SHALL CONFORM TO THE FOLLOWING:

NAME	CONC. TYPE	STRENGTH	MAX. AGG.	SLUMP(MAX) AIR	EXPOSURE CLASS
SLABS	TYPE 10	32MPA @ 28 DAYS	20mm	120mm 5-8%	C-2

REINFORCING STEEL NOTES:

- REINFORCING STEEL SHALL BE NEW BILLET DEFORMED BARS MANUFACTURED AND DETAILED IN ACCORDANCE WITH CAN/CSA-G30.18-M92, WITH MINIMUM YEILD STRENGTH AS FOLLOWS: 10M BARS-300MPA, 15M BARS & LARGER - 400MPA.
- REINFORCING STEEL SHALL BE FREE FROM LOOSE RUST, MUD, OIL OR OTHER COATINGS WHICH MAY REDUCE THE BOND OR HARM THE CONCRETE.
- REINFORCING STEEL SHALL BE HELD IN PLACE AND TIED WITH PROPER ACCESSORIES SUCH AS HI-CHAIRS, SPACERS, TIES, ETC. SUPPLIED BY THE REINFORCING STEEL PROVIDER. APPROPRIATE SUPPORT SHALL BE PROVIDED UNDER ALL SUPPORT ACCESSORIES TO ENSURE THAT THE REINFORCING STEEL IS ACCURATELY POSITIONED.
- LAP TOP BARS AT MID-SPAN AND BOTTOM BARS OVER SUPPORTS.
- BEND ALL HORIZONTAL STEEL 18" AROUND CORNERS, OR USE EXTRA 36"x36" CORNER BARS TO MATCH HORIZONTALS.
- PROVIDE 2-15M AROUND ALL SLAB, WALL, & BEAM OPENINGS, UNLESS OTHERWISE NOTED ON STRUCTURAL DRAWINGS.
- CONCRETE COVER TO REINFORCING STEEL SHALL BE AS FOLLOWS:
 - CONCRETE CAST IN DIRECT CONTACT WITH SOIL - 75mm (3")
 - FORMED CONCRETE IN CONTACT WITH SOIL 15M OR SMALLER - 50mm (2")
 - FORMED CONCRETE IN CONTACT WITH SOIL 20M OR LARGER - 40mm (1 $\frac{1}{2}$ ")
 - FORMED CONCRETE NOT IN CONTACT WITH SOIL (BEAMS AND COLUMNS) - 40mm (1 $\frac{1}{2}$ ")
 - FORMED CONCRETE NOT IN CONTACT WITH SOIL (SLABS AND WALLS) - 20mm ($\frac{3}{4}$ ")
- MISCELLANEOUS CONCRETE HOUSEKEEPING PADS AND CURBS SHALL BE REINFORCED WITH A MINIMUM 10M AT 18" O.C. EACH WAY UNLESS NOTED. SEE ARCHITECTURAL, MECHANICAL, AND ELECTRICAL DRAWINGS.

STRUCTURAL STEEL NOTES:

- STRUCTURAL STEEL SHALL BE DESIGNED, FABRICATED AND ERECTED IN ACCORDANCE WITH THE CAN/CSA-S16-09 BY FULLY CERTIFIED MEMBERS OF THE CANADIAN INSTITUTE OF STEEL CONSTRUCTION.
- ALL STRUCTURAL STEEL SHALL CONFORM TO THE CAN/CSA G40.21-350W CLASS C TO SIZES AND SHAPES INDICATED ON THE DRAWINGS. NO SUBSTITUTIONS IN GRADES OR SIZES ARE PERMITTED WITHOUT WRITTEN APPROVAL OF BEACH ROCKE ENGINEERING LTD. ALL ANGLES AND PLATES TO BE G40.21-300W.
- ALL FABRICATION SHALL BE CARRIED OUT IN PLANT FACILITIES CERTIFIED BY THE CANADIAN WELDING BUREAU TO CSA S16-09 AND S136. SITE FABRICATION IS NOT PERMITTED WITHOUT WRITTEN APPROVAL FROM BEACH ROCKE ENGINEERING LTD.
- ALL WELDING SHALL BE PERFORMED IN ACCORDANCE WITH THE CSA W59 BY WELDERS FULLY CERTIFIED FOR STRUCTURAL WELDING BY THE CANADIAN BUREAU TO CSA W47.1. ALL BASE AND CAP PLATES SHALL BE FULLY WELDED TO COLUMNS.
- STRUCTURAL FASTENERS SHALL BE A325 BOLTS. ANCHOR BOLTS SHALL BE 18" LG. C/W 3"HOOK (A307) UNLESS NOTED OTHERWISE ON STRUCTURAL DRAWINGS. BASE AND CAP PLATES TO BE 3/4" THICK. CAP PLATES TO HAVE MIN. 4 BOLT (A325) CONNECTION UNLESS NOTED OTHERWISE ON STRUCTURAL DRAWINGS.
- PROVIDE TEMPORARY GUYING AND BRACING AS NECESSARY TO PROVIDE STABILITY FOR THE WHOLE STRUCTURE UNTIL DECKING AND PERMANENT BRACING ARE SECURED IN PLACE.
- PROVIDE 3/8" STIFFENER PLATES IN ALL BEAMS CONTINUOUS OVER SUPPORTS. HOLES ARE NOT PERMITTED IN THE TOP FLANGES UNLESS NOTED OTHERWISE ON THE DRAWINGS.
- CLEAN ALL FIELD WELDS AND TOUCH UP WITH PRIMER TO MATCH SHOP COAT - ZINC PAINT
- DESIGN AND FABRICATE CONNECTIONS FOR THE FULL STRENGTH OF THE MEMBER. SPLICING OF MEMBERS IS NOT PERMITTED UNLESS WRITTEN APPROVAL FROM THE DESIGN ENGINEER HAS BEEN PROVIDED.
- ALL STEEL SHALL BE GALVANIZED.**
- STRUCTURAL STEEL SUPPLIER SHALL PROVIDE STAMPED SHOP DRAWINGS TO THE DESIGN ENGINEER FOR REVIEW AND APPROVAL PRIOR TO FABRICATION.

STRUCTURAL DRAWING LIST:

- S1 - STRUCTURAL PROJECT NOTES
- S2 - TYP TANK SLAB, BOLLARD AND BASE PLATE DETAILS & ISOMETRIC VIEW OF METAL STAND
- S3 - CONNECTION #1 DETAILS
- S4 - CONNECTION #2 DETAILS
- S5 - TANK #1 - PLAN VIEW OF TANK ON SLAB
- S6 - TANK #1 - ELEVATIONS OF TANK ON SLAB
- S7 - TANK #2 - PLAN VIEW OF TANK ON LOW METAL STAND
- S8 - TANK #2 - ELEVATIONS OF LOW METAL STAND
- S9 - TANK #2 - ELEVATIONS OF LOW METAL STAND
- S10 - TANK #3 - PLAN VIEW OF TANK ON HIGH METAL STAND
- S11 - TANK #3 - ELEVATIONS OF HIGH METAL STAND
- S12 - TANK #3 - ELEVATIONS OF HIGH METAL STAND
- S13 - TANK #4 - PLAN VIEW OF TANK ON LOW DOUBLE METAL STAND
- S14 - TANK #4 - ELEVATIONS OF LOW DOUBLE METAL STAND
- S15 - TANK #4 - ELEVATIONS OF LOW DOUBLE METAL STAND
- S16 - TANK #5 - PLAN VIEW OF TANK ON HIGH DOUBLE METAL STAND
- S17 - TANK #5 - ELEVATIONS OF HIGH DOUBLE METAL STAND
- S18 - TANK #5 - ELEVATIONS OF HIGH DOUBLE METAL STAND



PROJECT TITLE:
RCMP "V" DIVISION OIL TANK REPLACEMENT

SHEET TITLE:
PROJECT NOTES

PROJECT NUMBER:
17-122-CG-39



REV. #	REVISION	DATE (YY MM DD)	REV. BY
03	ISSUED FOR TENDER	17 06 12	RH
02	ISSUED FOR 99% REVIEW	17 05 30	RH
01	ISSUED FOR REVIEW	17 03 31	RH

REV. #	REVISION	DATE (YY MM DD)	REV. BY

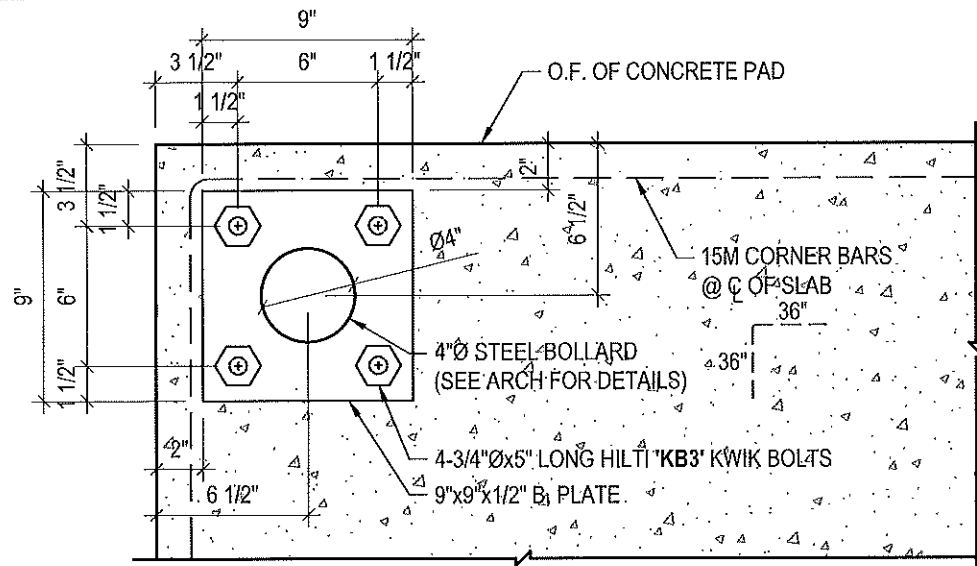
SCALE:
AS NOTED

DATE (YY MM DD):
17 06 12

DRAWING NUMBER:

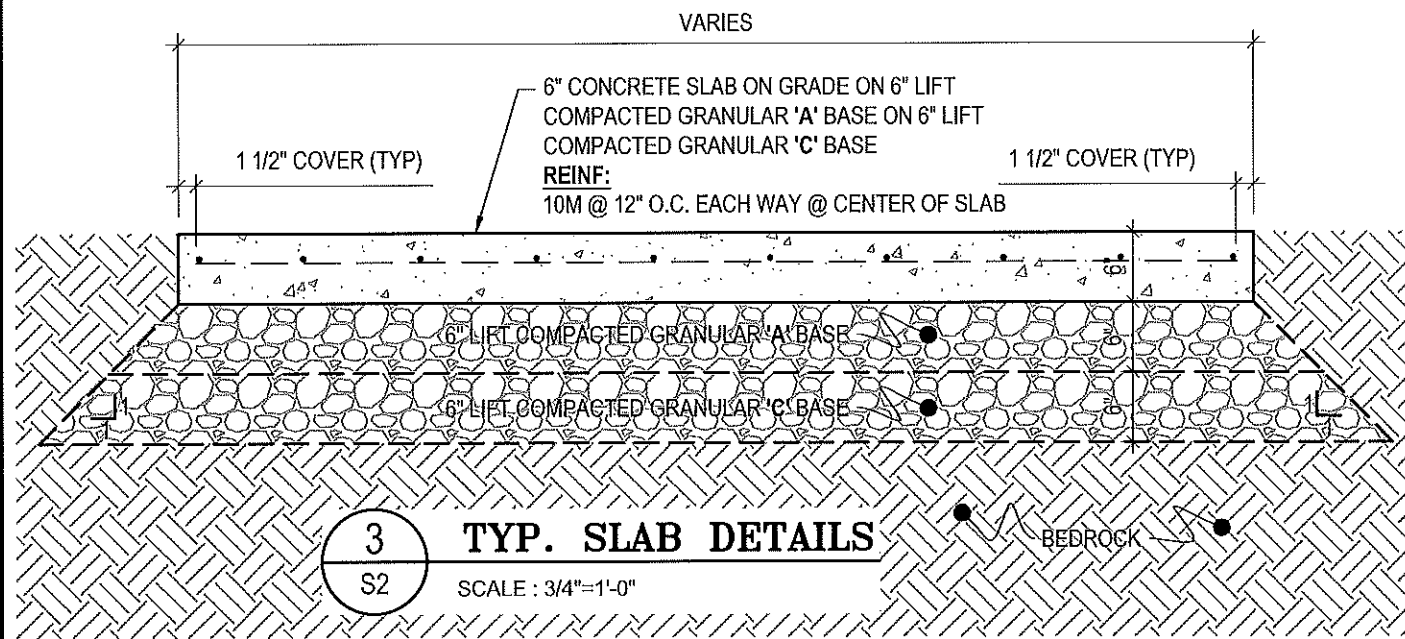
S1

REVISION NUMBER:
00

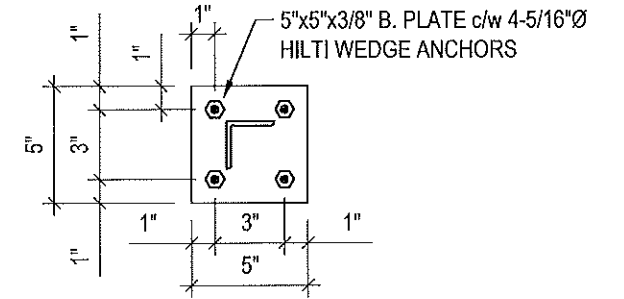


1 TYP BOLLARD BASE PLATE DETAILS
S2 SCALE : 1 1/2"=1'-0"

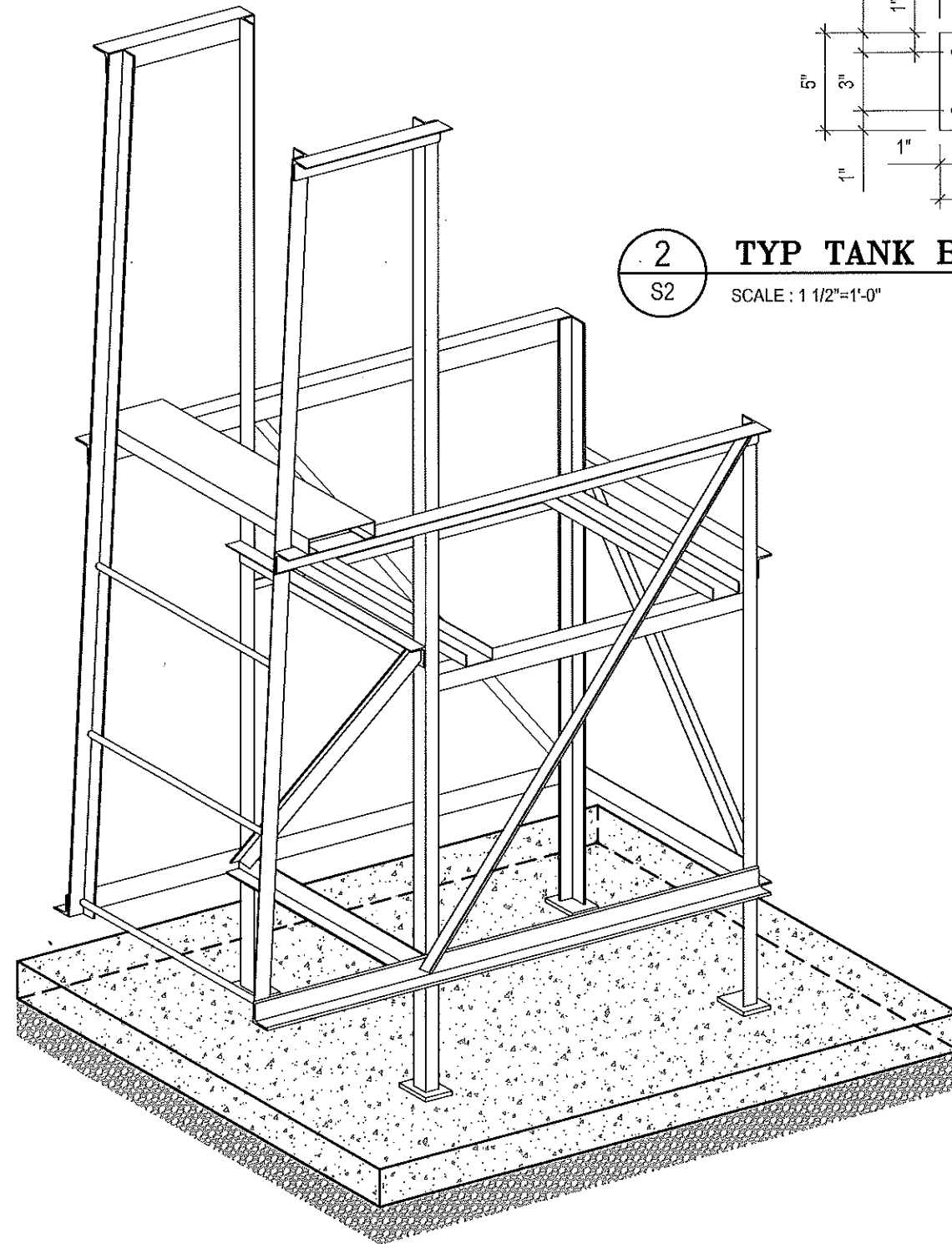
NOTES:
 • ALL STEEL TO BE GALVANIZED (GALV) OR STAINLESS STEEL (SS)
 • CONFIRM ALL DIMENSIONS SHOWN WITH MECH. DRAWINGS



3 TYP. SLAB DETAILS
S2 SCALE : 3/4"=1'-0"



2 TYP TANK BASE PLATE DETAIL
S2 SCALE : 1 1/2"=1'-0"



4 TYP. ISOMETRIC VIEW OF METAL STANDS
S2 NOT TO SCALE



PROJECT TITLE:
RCMP "V" DIVISION OIL TANK REPLACEMENT
SHEET TITLE:
TYPICAL PROJECT DETAILS
PROJECT NUMBER:
17-122-CG-39

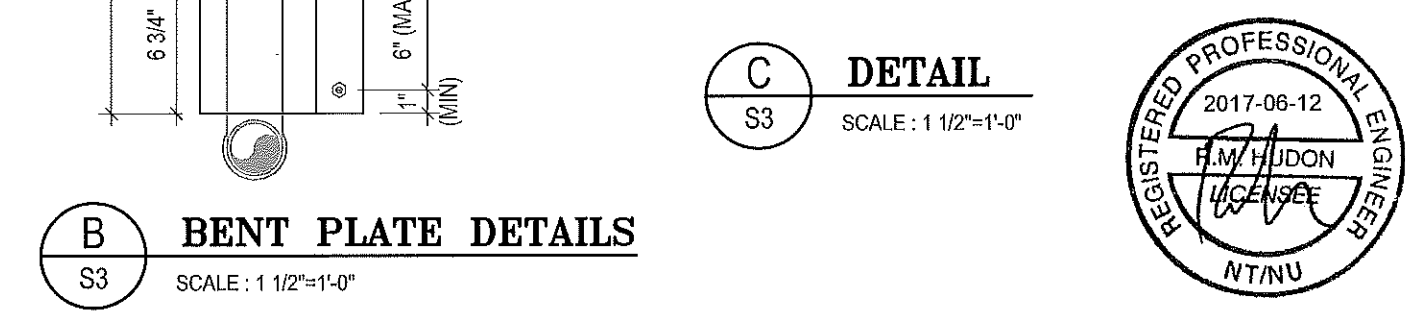
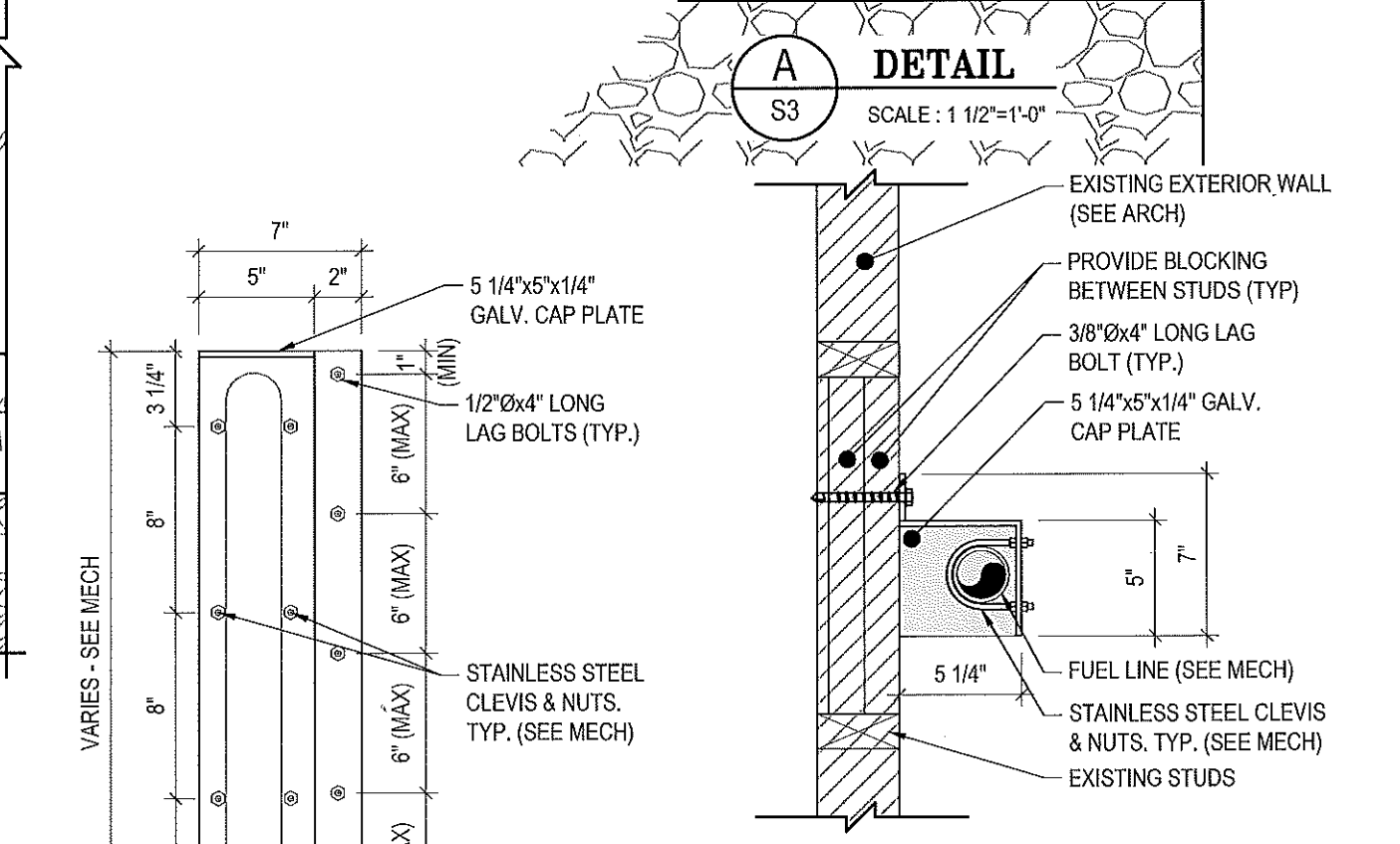
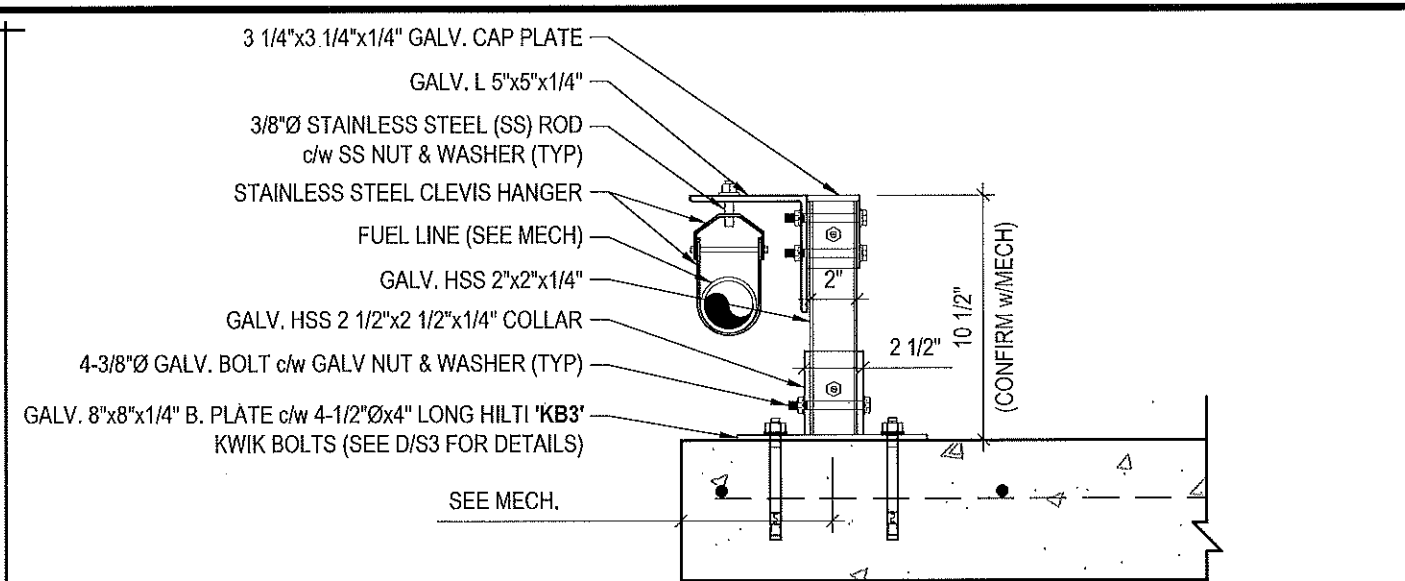
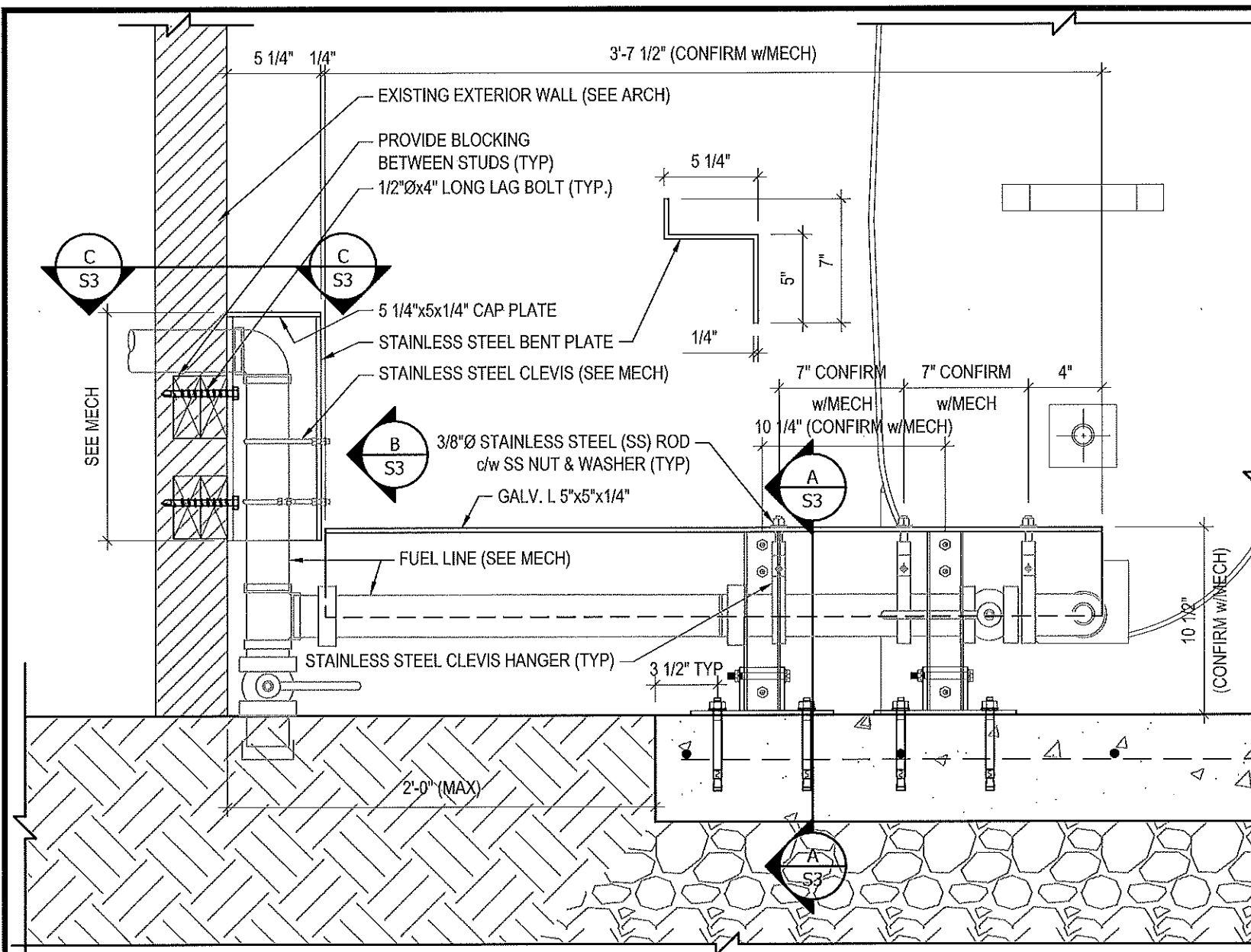


03	ISSUED FOR TENDER	17 06 12	RH
02	ISSUED FOR 99% REVIEW	17 05 30	RH
01	ISSUED FOR REVIEW	17 03 31	RH
REV. #	REVISION	DATE (YY MM DD)	REV. BY

REV. #	REVISION	DATE (YY MM DD)	REV. BY
--------	----------	-----------------	---------

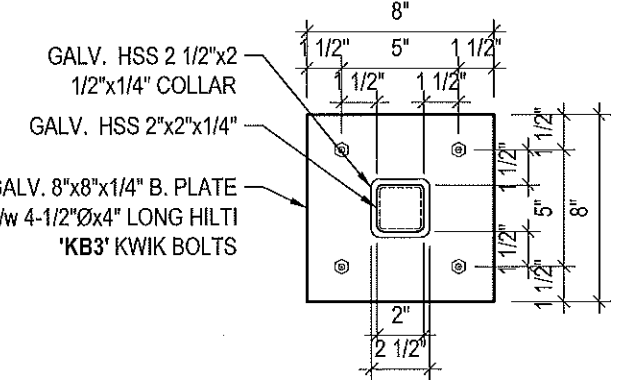
SCALE:
AS NOTED
DATE (YY MM DD):
17 06 12

DRAWING NUMBER:
S2
REVISION NUMBER:
00



1 CONNECTION #1 DETAILS
 S3 SCALE: 1 1/2"=1'-0"

NOTES:
 • ALL STEEL TO BE GALVANIZED (GALV) OR STAINLESS STEEL (SS)
 • CONFIRM ALL DIMENSIONS SHOWN WITH MECH. DRAWINGS



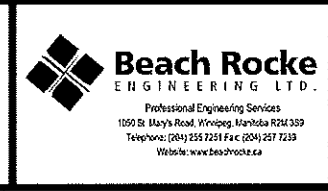
D BASE PLATE DETAILS
 S3 SCALE: 1 1/2"=1'-0"

B BENT PLATE DETAILS
 S3 SCALE: 1 1/2"=1'-0"

C DETAIL
 S3 SCALE: 1 1/2"=1'-0"



PROJECT TITLE:
 RCMP "V" DIVISION OIL TANK REPLACEMENT
 SHEET TITLE:
 CONNECTION #1 DETAILS
 PROJECT NUMBER:
 17-122-CG-39

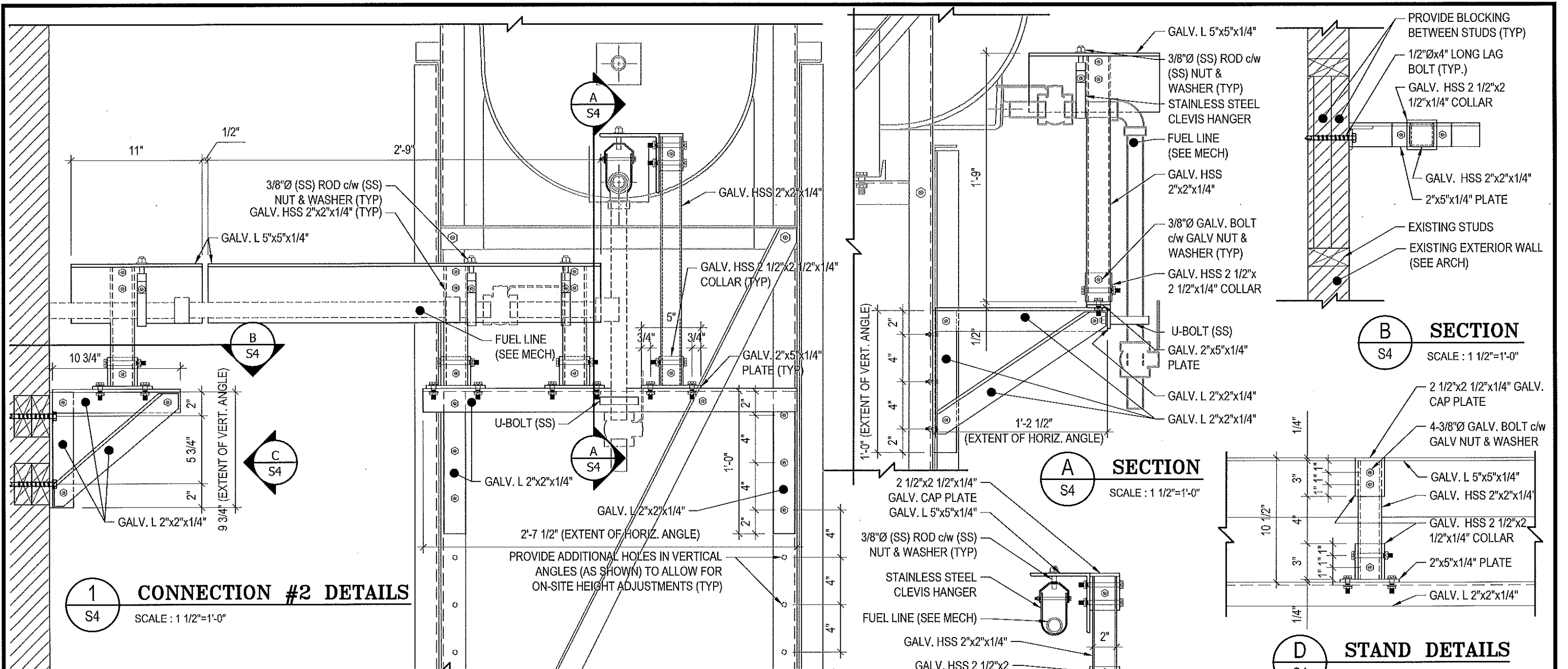


03	ISSUED FOR TENDER	17 06 12	RH
02	ISSUED FOR 99% REVIEW	17 05 30	RH
01	ISSUED FOR REVIEW	17 03 31	RH
REV. #	REVISION	DATE (YY MM DD)	REV. BY

REV. #	REVISION	DATE (YY MM DD)	REV. BY
--------	----------	-----------------	---------

SCALE:
 AS NOTED
 DATE (YY MM DD):
 17 06 12

DRAWING NUMBER:
S3
 REVISION NUMBER:
 00



1 CONNECTION #2 DETAILS
 S4 SCALE : 1 1/2"=1'-0"

A SECTION
 S4 SCALE : 1 1/2"=1'-0"

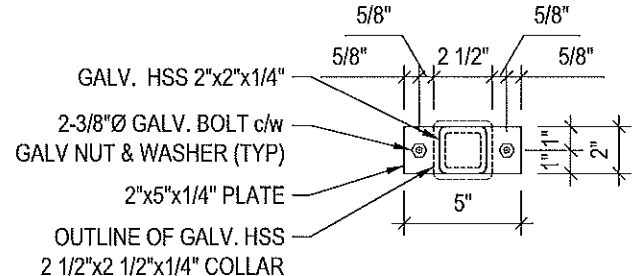
B SECTION
 S4 SCALE : 1 1/2"=1'-0"

D STAND DETAILS
 S4 SCALE : 1 1/2"=1'-0"

C ELEVATION
 S4 SCALE : 1 1/2"=1'-0"

E STAND PLATE DETAILS
 S4 SCALE : 1 1/2"=1'-0"

NOTES:
 • ALL STEEL TO BE GALVANIZED (GALV) OR STAINLESS STEEL (SS)
 • CONFIRM ALL DIMENSIONS SHOWN WITH MECH. DRAWINGS



PROJECT TITLE:
 RCMP "V" DIVISION OIL TANK REPLACEMENT
 SHEET TITLE:
 CONNECTION #2 DETAILS
 PROJECT NUMBER:
 17-122-CG-39



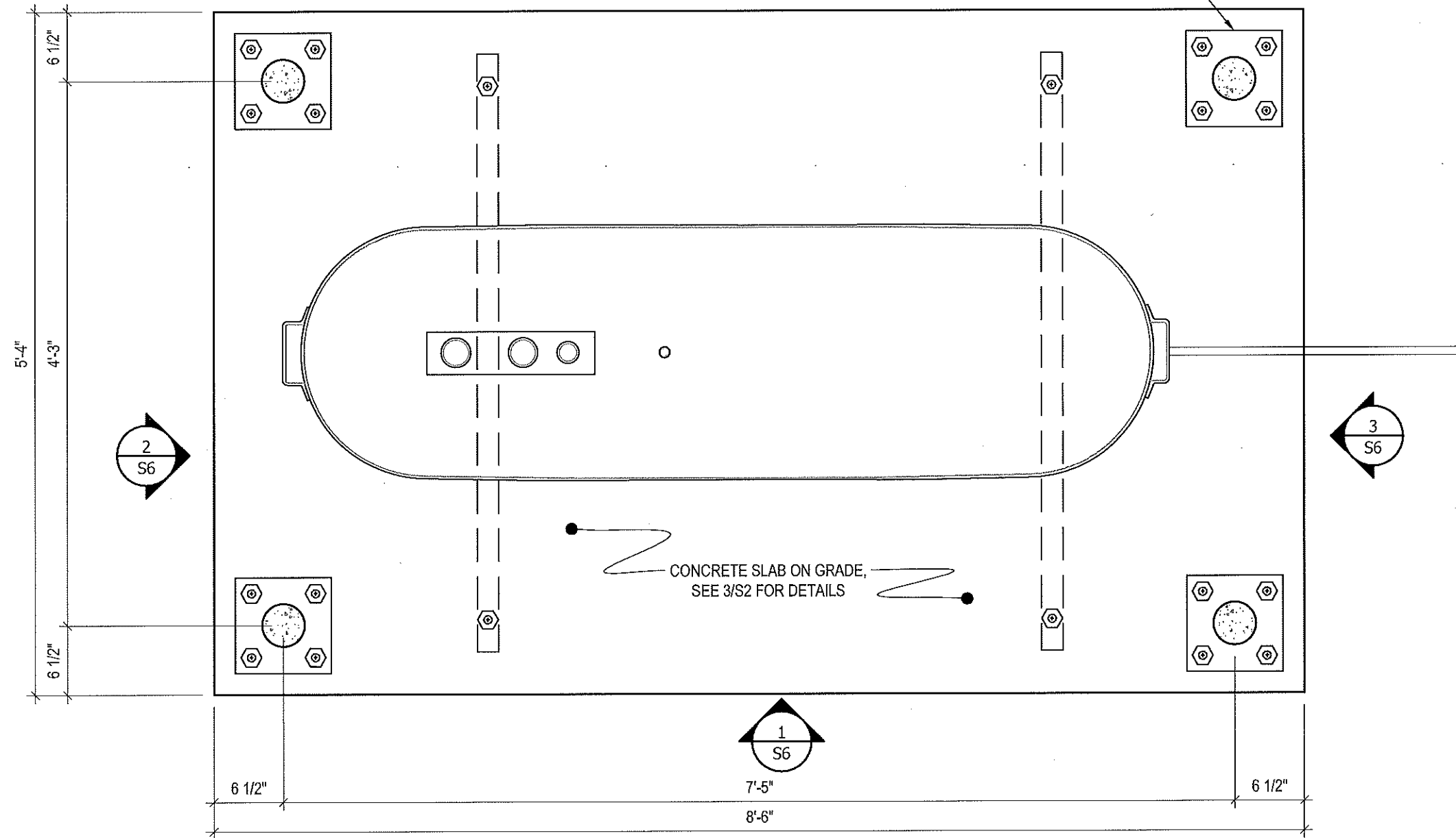
REV. #	REVISION	DATE (YY MM DD)	REV. BY
03	ISSUED FOR TENDER	17 06 12	RH
02	ISSUED FOR 99% REVIEW	17 05 30	RH
01	ISSUED FOR REVIEW	17 03 31	RH

REV. #	REVISION	DATE (YY MM DD)	REV. BY

SCALE:
 AS NOTED
 DATE (YY MM DD):
 17 06 12

DRAWING NUMBER:
S4
 REVISION NUMBER:
 00

CONCRETE BOLLARD BASE PLATE. SEE 1/S2 FOR STRUCTURAL DETAILS, SEE MECHANICAL DRAWINGS FOR LOCATION AND NUMBER OF BOLLARDS REQUIRED FOR EACH CONCRETE PAD BASE



1 PLAN VIEW - TANK #1
S5 SCALE : 1"=1'-0"



PROJECT TITLE:
RCMP "V" DIVISION OIL TANK REPLACEMENT
SHEET TITLE:
TANK #1 - PLAN VIEW
PROJECT NUMBER:
17-122-CG-39

Beach Rocke
ENGINEERING LTD.
Professional Engineering Services
1050 St Mary's Road, Winnipeg, Manitoba R2M 3S9
Telephone: (204) 255 7261 Fax: (204) 259 7238
Website: www.beachrocke.ca

REV. #	REVISION	DATE (YY MM DD)	REV. BY
03	ISSUED FOR TENDER	17 06 12	RH
02	ISSUED FOR 99% REVIEW	17 05 30	RH
01	ISSUED FOR REVIEW	17 03 31	RH

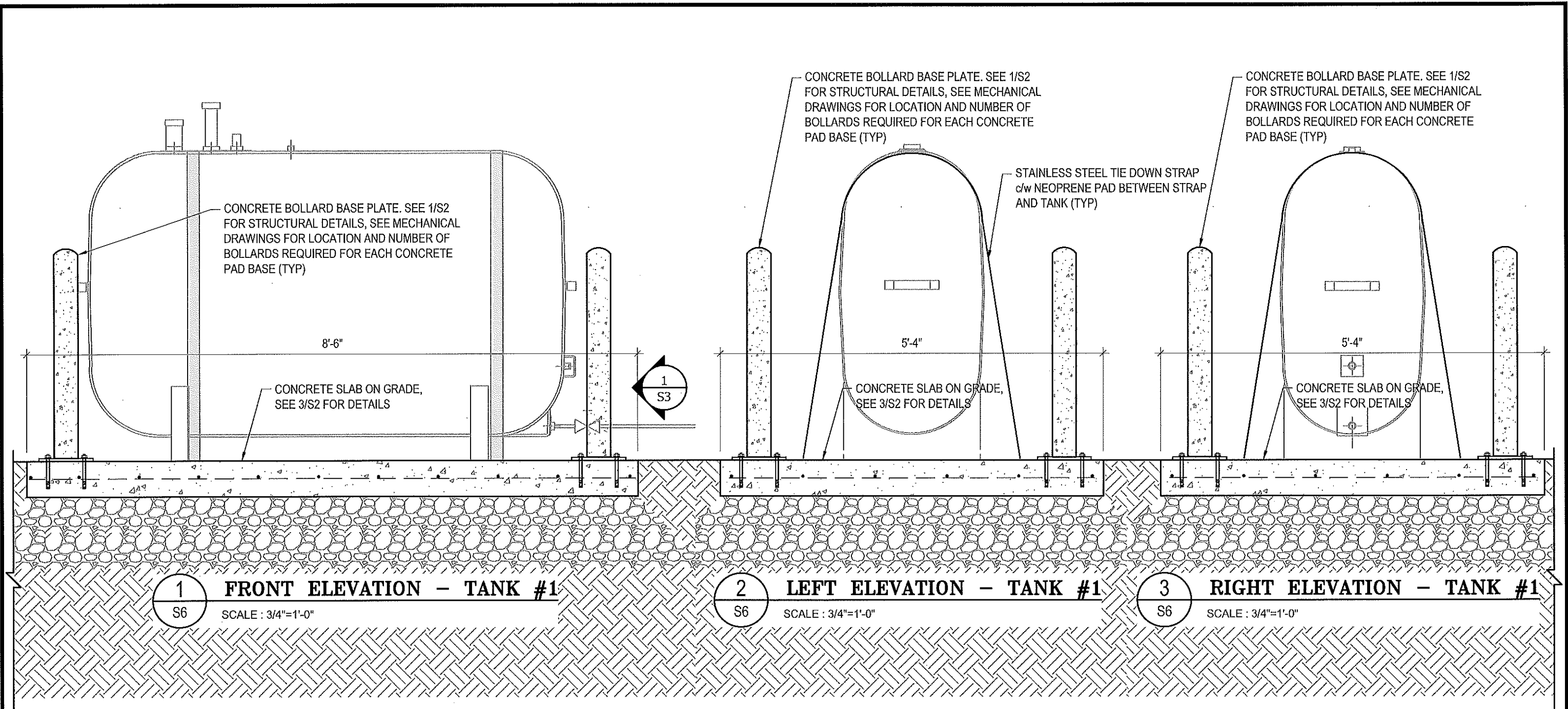
REV. # | REVISION | DATE (YY MM DD) | REV. BY

SCALE:
AS NOTED
DATE (YY MM DD):
17 06 12

DRAWING NUMBER:

S5

REVISION NUMBER:
00



PROJECT TITLE:
RCMP "V" DIVISION OIL TANK REPLACEMENT

SHEET TITLE:
TANK #1 - ELEVATIONS

PROJECT NUMBER:
17-122-CG-39



REV. #	REVISION	DATE (YY MM DD)	REV. BY
03	ISSUED FOR TENDER	17 06 12	RH
02	ISSUED FOR 99% REVIEW	17 05 30	RH
01	ISSUED FOR REVIEW	17 03 31	RH

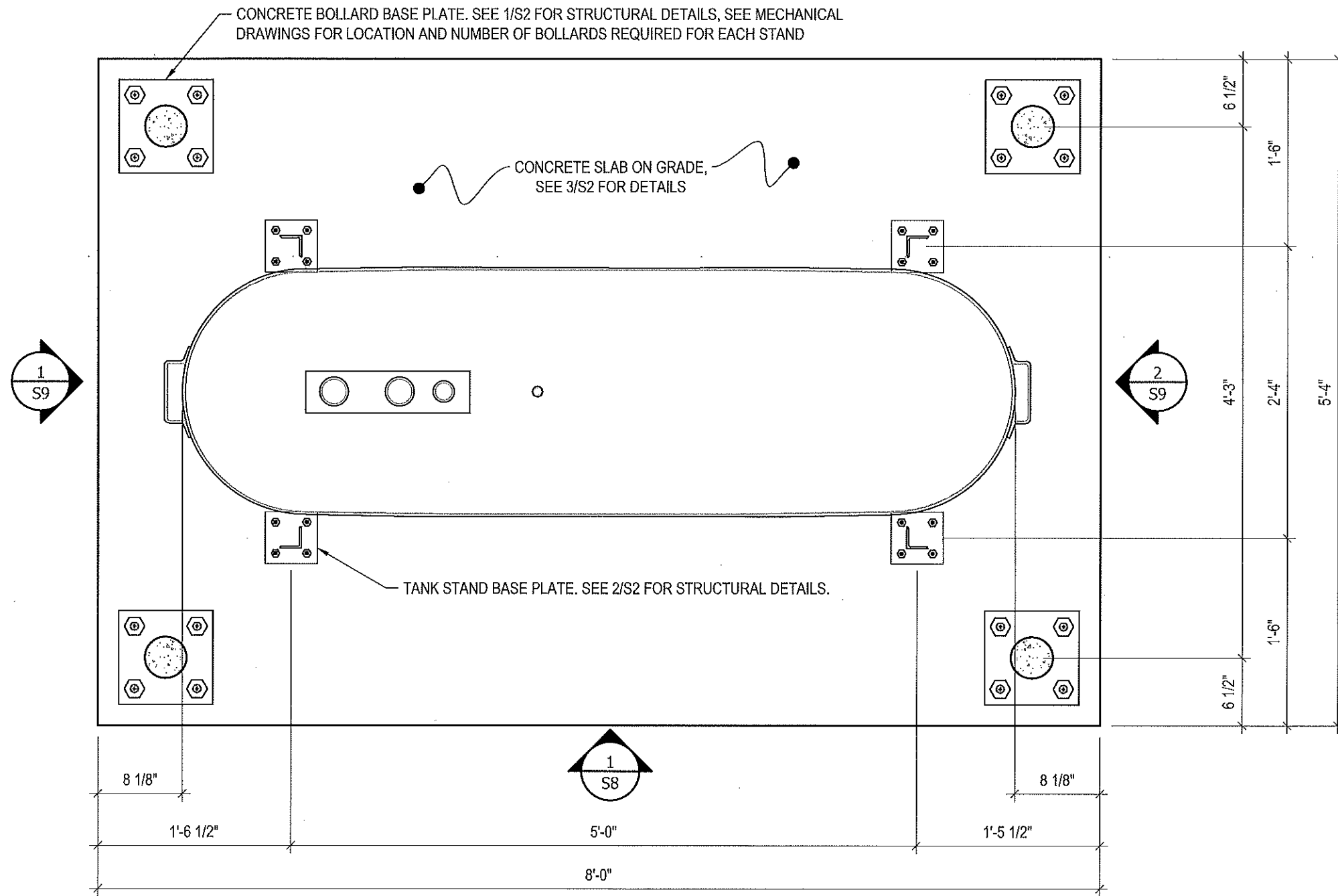
REV. #	REVISION	DATE (YY MM DD)	REV. BY

SCALE:
AS NOTED

DATE (YY MM DD):
17 06 12

DRAWING NUMBER:
S6

REVISION NUMBER:
00



1
S7 **PLAN VIEW - TANK #2**
SCALE : 1"=1'-0"



PROJECT TITLE:
RCMP "V" DIVISION OIL TANK REPLACEMENT
SHEET TITLE:
TANK #2 - PLAN VIEW
PROJECT NUMBER:
17-122-CG-39



03	ISSUED FOR TENDER	17 06 12	RH
02	ISSUED FOR 99% REVIEW	17 05 30	RH
01	ISSUED FOR REVIEW	17 03 31	RH
REV. #	REVISION	DATE (YY MM DD)	REV. BY

REV. #	REVISION	DATE (YY MM DD)	REV. BY
--------	----------	-----------------	---------

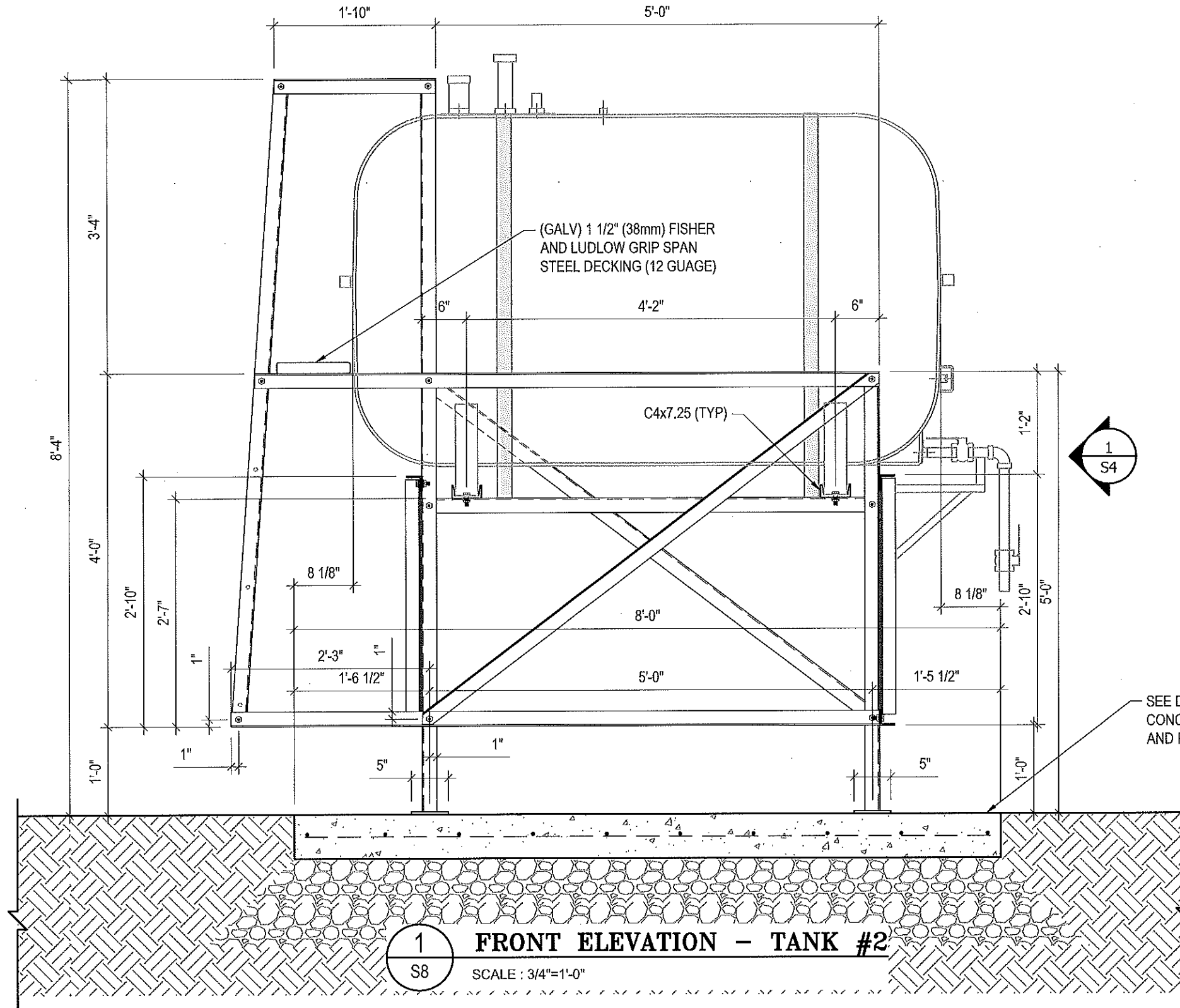
SCALE:
AS NOTED
DATE (YY MM DD):
17 06 12

DRAWING NUMBER:

S7

REVISION NUMBER:
00

- NOTES:**
- ALL STEEL TO BE GALVANIZED (GALV) OR STAINLESS STEEL (SS)
 - ALL ANGLES SHOWN ARE L2"x2"x3/16" (U/N/O)
 - ALL BOLTS SHOWN ARE 1/2"x2" LONG (U/N/O)
 - CONFIRM ALL DIMENSIONS SHOWN WITH MECH. DRAWINGS



PROJECT TITLE:
RCMP "V" DIVISION OIL TANK REPLACEMENT

SHEET TITLE:
TANK #2 - ELEVATIONS

PROJECT NUMBER:
17-122-CG-39



REV. #	REVISION	DATE (YY MM DD)	REV. BY
03	ISSUED FOR TENDER	17 06 12	RH
02	ISSUED FOR 99% REVIEW	17 05 30	RH
01	ISSUED FOR REVIEW	17 03 31	RH

REV. #	REVISION	DATE (YY MM DD)	REV. BY

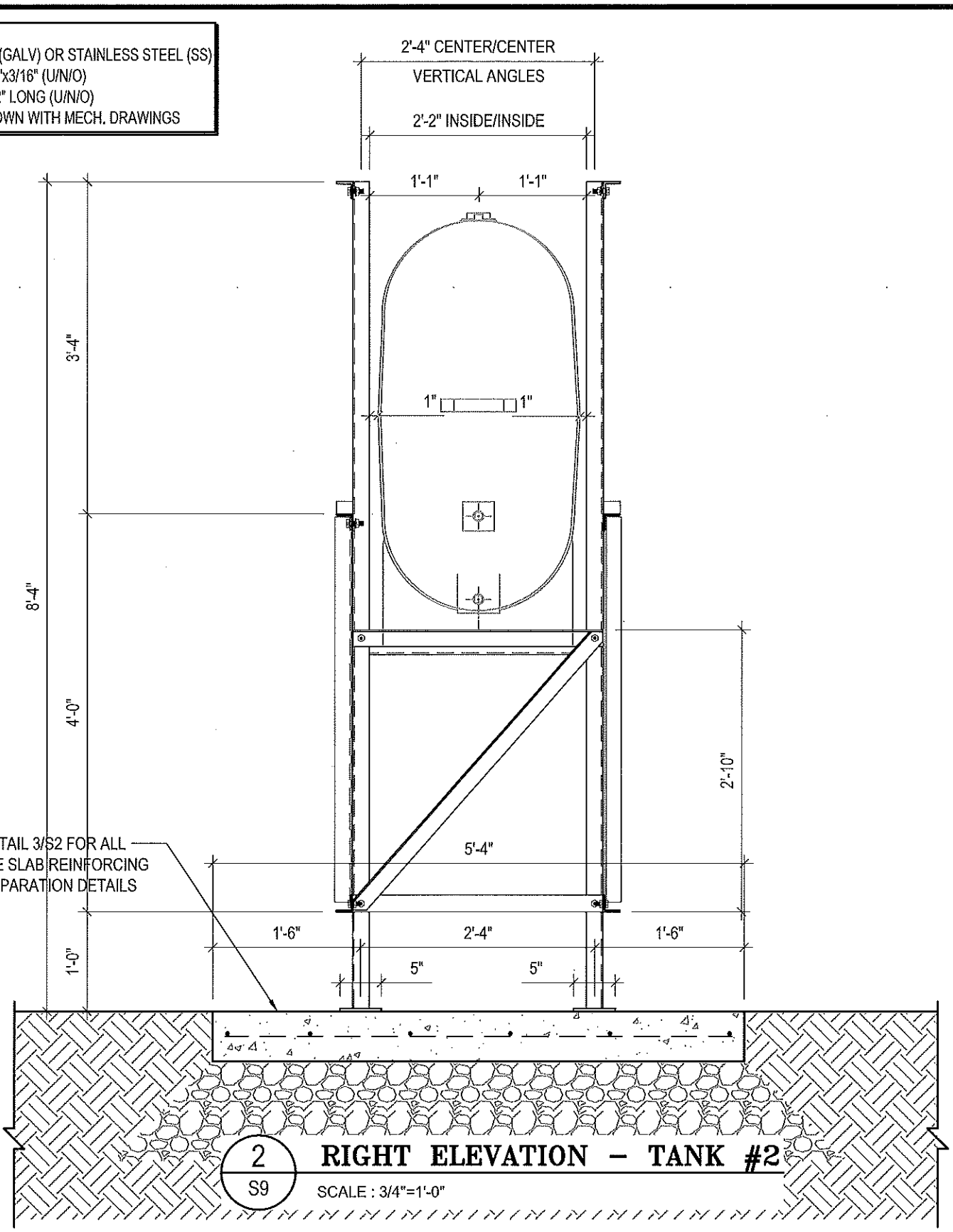
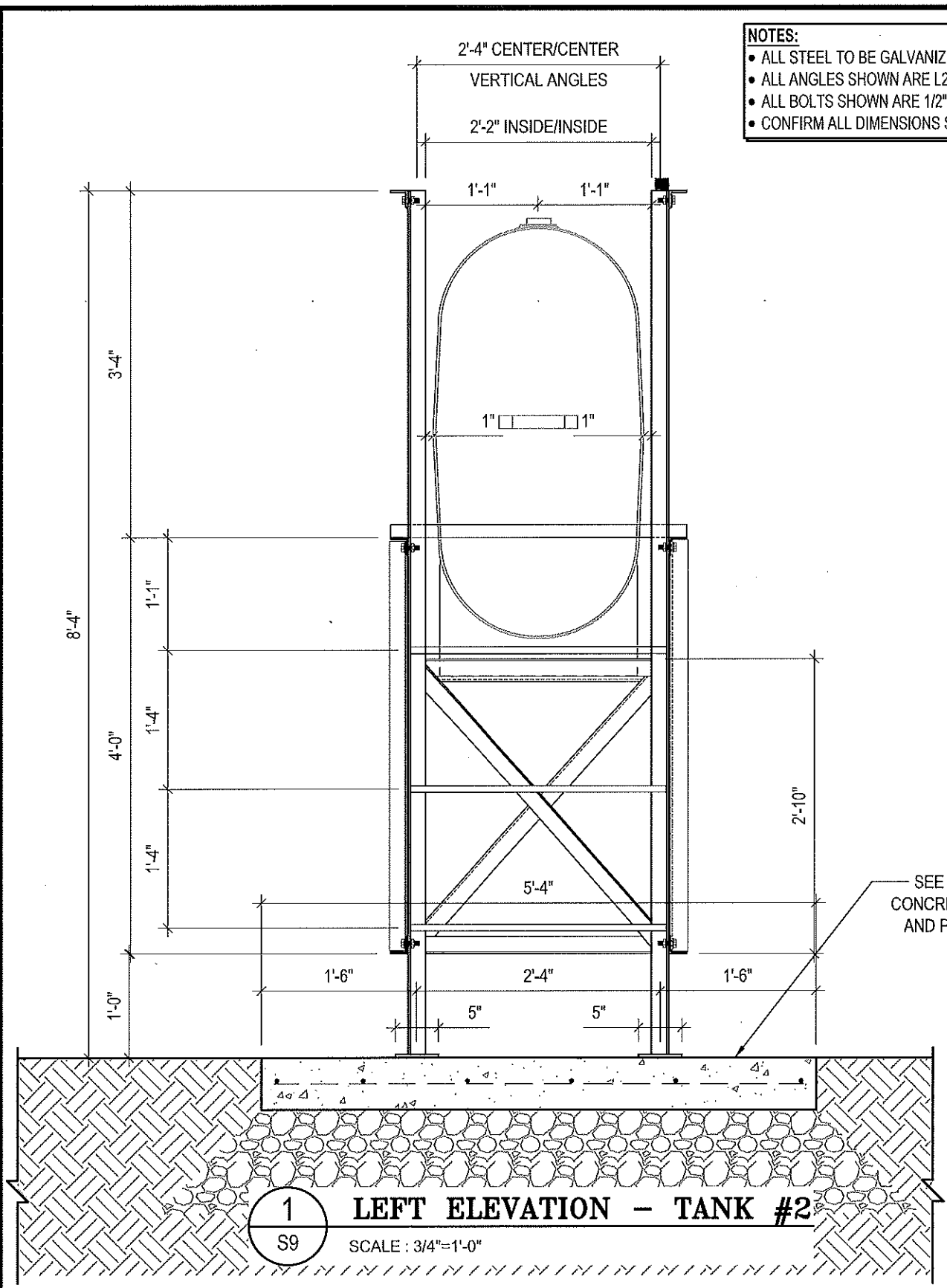
SCALE:
AS NOTED

DATE (YY MM DD):
17 06 12

DRAWING NUMBER:
S8

REVISION NUMBER:
00

- NOTES:**
- ALL STEEL TO BE GALVANIZED (GALV) OR STAINLESS STEEL (SS)
 - ALL ANGLES SHOWN ARE L2"x2"x3/16" (U/N/O)
 - ALL BOLTS SHOWN ARE 1/2"x2" LONG (U/N/O)
 - CONFIRM ALL DIMENSIONS SHOWN WITH MECH. DRAWINGS



PROJECT TITLE:
RCMP "V" DIVISION OIL TANK REPLACEMENT

SHEET TITLE:
TANK #2 - ELEVATIONS

PROJECT NUMBER:
17-122-CG-39

Beach Rocke
ENGINEERING LTD.
Professional Engineering Services
1057 St. Mary's Road, Winnipeg, Manitoba R2M 3S9
Telephone: (204) 255 7251 Fax: (204) 251 7239
Website: www.beachrocke.ca

REV. #	REVISION	DATE (YY MM DD)	REV. BY
03	ISSUED FOR TENDER	17 06 12	RH
02	ISSUED FOR 99% REVIEW	17 05 30	RH
01	ISSUED FOR REVIEW	17 03 31	RH

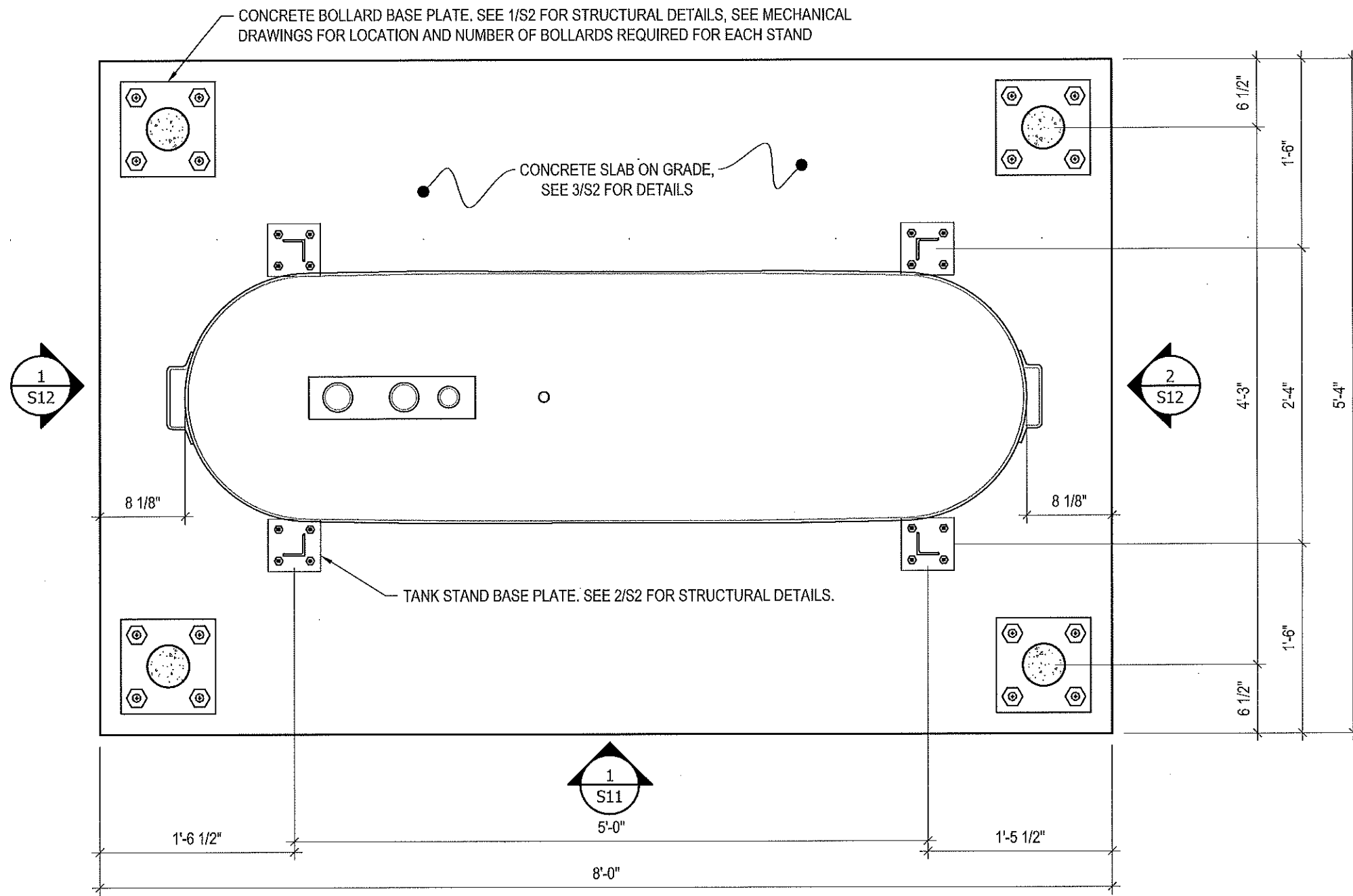
REV. #	REVISION	DATE (YY MM DD)	REV. BY

SCALE:
AS NOTED

DATE (YY MM DD):
17 06 12

DRAWING NUMBER:
S9

REVISION NUMBER:
00



1 PLAN VIEW - TANK #3
 S10 SCALE: 1"=1'-0"



PROJECT TITLE:
RCMP "V" DIVISION OIL TANK REPLACEMENT

SHEET TITLE:
TANK #3 - PLAN VIEW

PROJECT NUMBER:
17-122-CG-39



REV. #	REVISION	DATE (YY MM DD)	REV. BY
03	ISSUED FOR TENDER	17 06 12	RH
02	ISSUED FOR 99% REVIEW	17 05 30	RH
01	ISSUED FOR REVIEW	17 03 31	RH

REV. # | REVISION | DATE (YY MM DD) | REV. BY

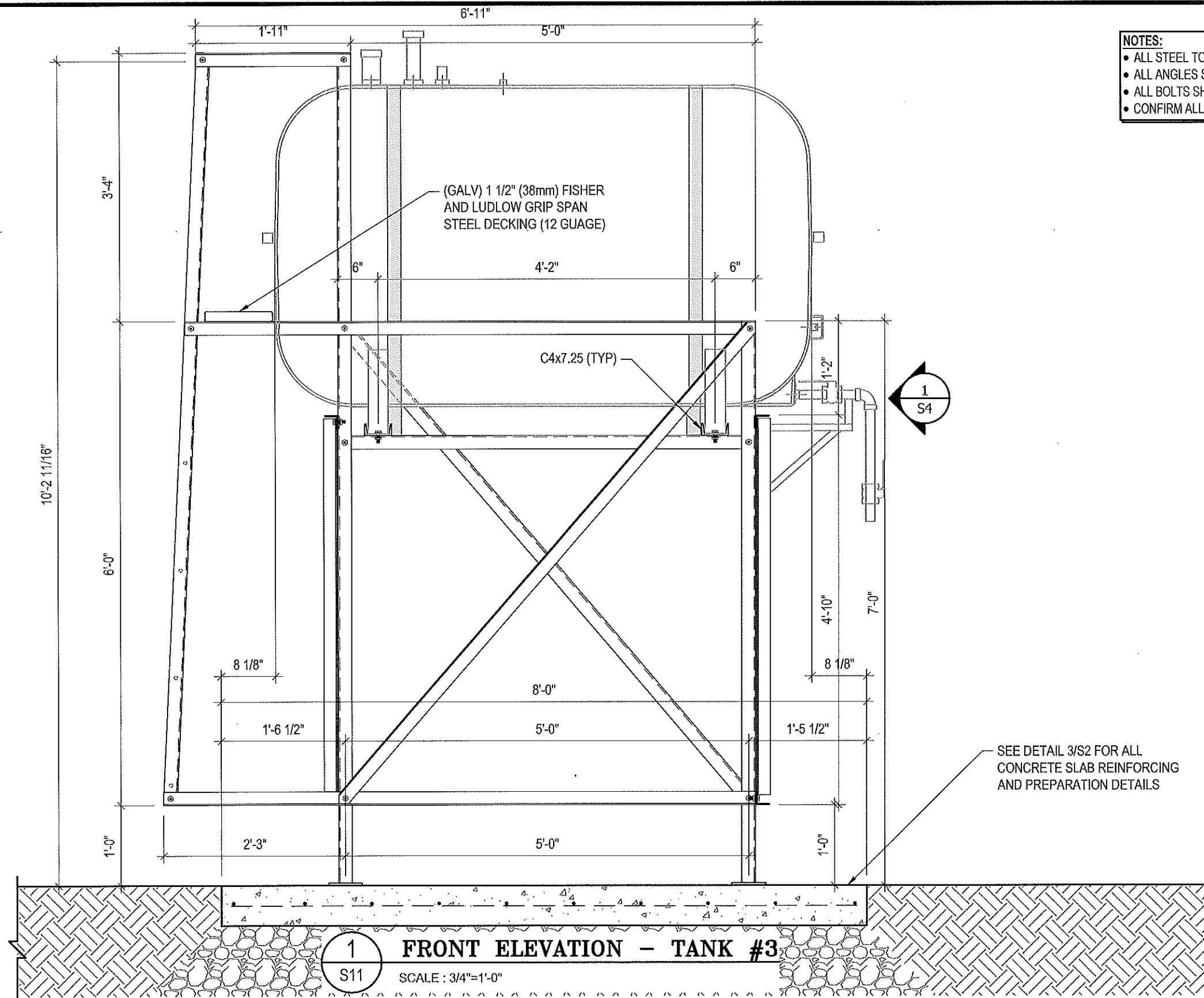
SCALE:
AS NOTED

DATE (YY MM DD):
17 06 12

DRAWING NUMBER:

S10

REVISION NUMBER:
00



- NOTES:**
- ALL STEEL TO BE GALVANIZED (GALV) OR STAINLESS STEEL (SS)
 - ALL ANGLES SHOWN ARE L2"x2"x3/16" (U/N/O)
 - ALL BOLTS SHOWN ARE 1/2"Øx2" LONG (U/N/O)
 - CONFIRM ALL DIMENSIONS SHOWN WITH MECH. DRAWINGS

SEE DETAIL 3/S2 FOR ALL CONCRETE SLAB REINFORCING AND PREPARATION DETAILS

1 FRONT ELEVATION - TANK #3
 S11 SCALE : 3/4"=1'-0"



PROJECT TITLE:
 RCMP "V" DIVISION OIL TANK REPLACEMENT
 SHEET TITLE:
 TANK #3 - ELEVATIONS
 PROJECT NUMBER:
 17-122-CG-39



REV. #	REVISION	DATE (YY MM DD)	REV. BY
03	ISSUED FOR TENDER	17 06 12	RH
02	ISSUED FOR 99% REVIEW	17 05 30	RH
01	ISSUED FOR REVIEW	17 03 31	RH

REV. #	REVISION	DATE (YY MM DD)	REV. BY

SCALE:
 AS NOTED
 DATE (YY MM DD):
 17 06 12

DRAWING NUMBER:
S11
 REVISION NUMBER:
 00