

Part 1 ADDENDUM NO.1

1.1 General

- .1 This Addendum is issued prior to tender closing and shall become an integral part of the Tender, Specifications, Drawings and Contract Documents for this project.
- .2 In the event of conflicts between the various Contract Documents, the order of precedence shall be as stipulated in the General Conditions of the Contract, except that this Addendum shall take overall precedence.

Part 2 Questions

2.1 What type of floor covering is to be installed on the existing stairs?

- .1 Johnsonite stair treads – color from manufacturers standard range.

2.2 What needs to be done on the exterior siding at the back above the kitchen window W4 which is partially covered by a wood plank on the attached photo and just above it and below the soffit that would be replaced that is blackish because of smoke

- .1 The exterior of the entire house is to be pressure washed. The area above the window is to be scrubbed clean.

2.3 For this project, is there any UV disinfection being added or replaced in the residence building?

- .1 No this will not be added

Part 3 Equals

3.1 See attached equals

END OF SECTION

Mar-Win Agencies LTD Equals Request

1333 Clifton Street
Winnipeg Mb.
R3E 2V1

phone: 204-775-8194
fax: 204-786-8016
email: Jess@Marwin.ca

Date: Sept 12,2017

Requested by: Jessica Boisjoli
Closing Date: Sept 20,2017
Project: Falcon Beach RCMP

To:
Re: **Request for Approval as Equal**

Please consider the following products for Approval as Equal to those products specified:

SPECIFIED	PROPOSED EQUAL	APPROVED
WC-1 LAV-1 SH HWT	K-3998-0, K-4650-0 K-2196-4-0 AC90KD-0 RHEEM	

Features

- Vitreous china.
- Regular height Elongated bowl.
- Class Five® flushing system.
- Includes left-hand polished chrome trip lever.
- 1.28 gpf (4.8 lpf).
- 2-1/8" (54 mm) fully glazed trapway.
- 12" (305 mm) rough-in.
- Less seat and supply.
- 11-1/4" (286 mm) x 8-1/4" (210 mm) water area.
- 30" (762 mm) x 18" (457 mm) x 29-1/4" (743 mm).
- Floor mount / Floor outlet.

Optional Accessories

- K-1954 Touchless Toilet Flush Kit
- K-4008 Toilet Seat
- K-4108 Toilet Seat with Cleansing Functionality
- K-4636 Toilet Seat
- K-4652 Toilet Seat
- K-4659 Toilet Seat
- K-4684 Toilet Seat
- K-4688 Toilet Seat
- K-4694 Toilet Seat
- K-4709 Toilet Seat with Cleansing Functionality
- K-4737 Toilet Seat with Cleansing Functionality
- K-4748 Toilet Seat
- K-4774 Toilet Seat
- K-4814 Toilet Seat
- K-5588 Elongated Toilet Seat
- K-5638 Elongated Toilet Seat
- K-7637 Angle Supply with Stop (single)
- K-9379 Trip Lever
- K-4712-T Toilet Seat
- K-4761-BN Toilet Seat
- K-4761-CP Toilet Seat

Components

Product includes:

- K-4198 Elongated Bowl
- K-4467 Toilet Tank

Additional included component/s: Tank cover, Trip lever, Bolt cap accessory pack, and Tank accessory pack.



Codes/Standards





ASME A112.19.2/CSA B45.1
DOE - Energy Policy Act 1992
EPA WaterSense®

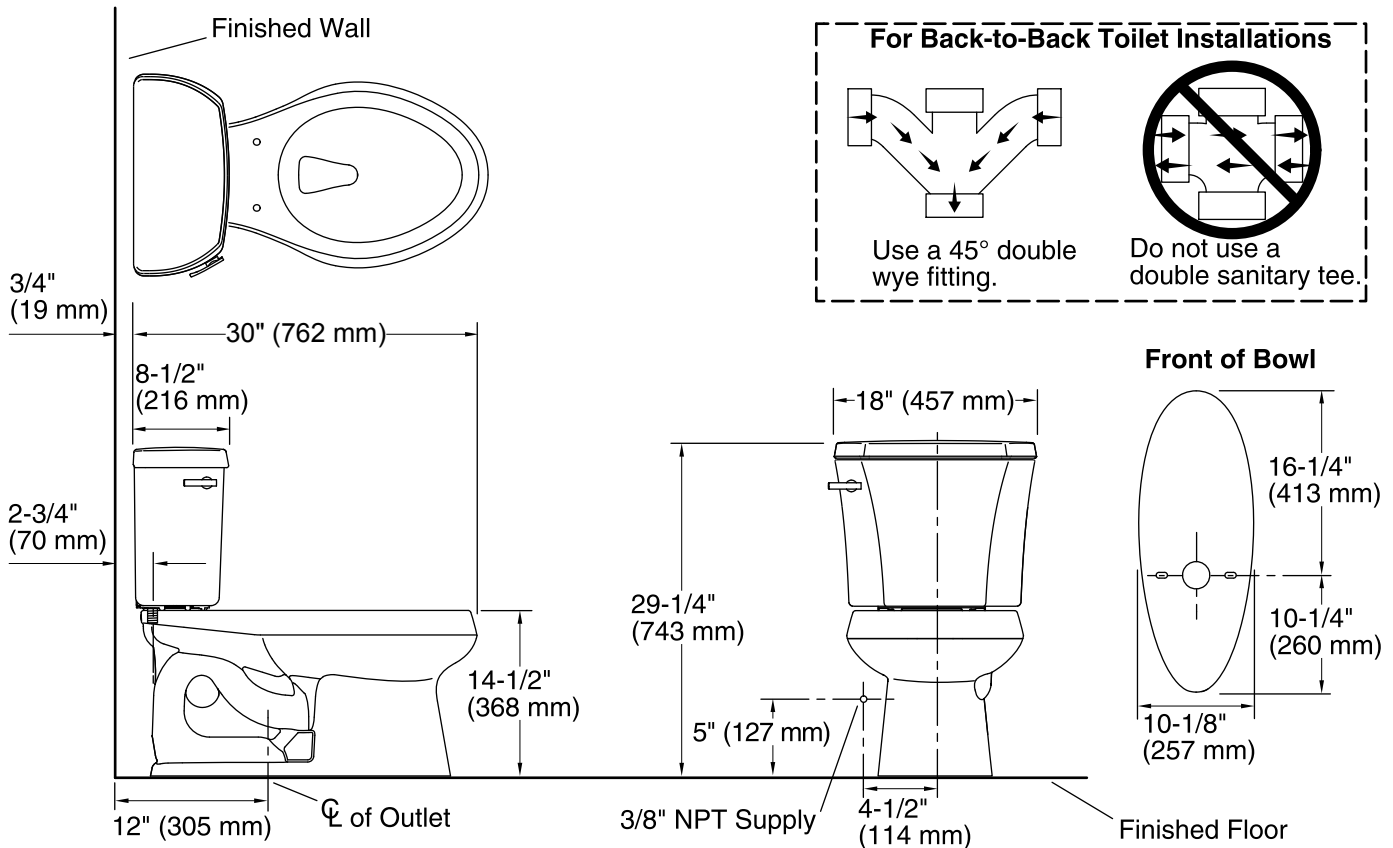
KOHLER® One-Year Limited Warranty

See website for detailed warranty information.

Available Color/Finishes

Color tiles intended for reference only.

Color	Code	Description
	0	White
	96	Biscuit
	47	Almond
	7	Black Black™



Technical Information

All product dimensions are nominal.

Toilet type:	Two-piece, Floor-mount
Waste Outlet:	Floor
Bowl shape:	Elongated front
Flush type:	Class Five
Trap passageway:	2-1/8" (54 mm)
Water Consumption	
Full:	1.28 gpf (4.8 lpf)
Water surface size:	11-1/4" x 8-1/4" (286 mm x 210 mm)
Rim to water surface:	5-1/4" (133 mm)
Rough-in:	12" (305 mm)
Seat-mounting holes:	5-1/2" (140 mm)

Notes

Install this product according to the installation instructions.

For back-to-back toilet installations: Use only a 45° double wye fitting.

Features

- Elongated open-front seat with cover.
- Color-matched plastic hinges.
- Ergonomic contour for additional comfort.

Material

- Solid polypropylene plastic.

Installation

- Stainless-steel mounting bolts.



Codes/Standards










IAPMO/ANSI Z124.5

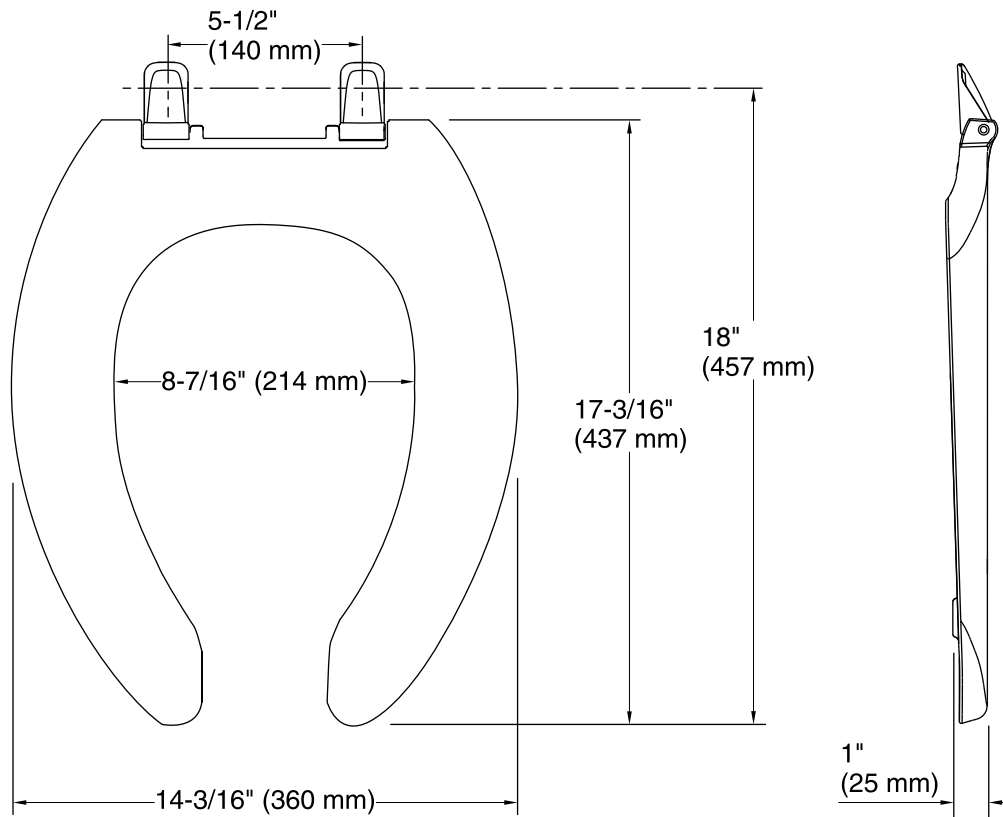
KOHLER® One-Year Limited Warranty

See website for detailed warranty information.

Available Color/Finishes

Color tiles intended for reference only.

Color	Code	Description
	0	White
	96	Biscuit
	47	Almond
	NY	Dune
	95	Ice™ Grey
	G9	Sandbar
	33	Mexican Sand™
	58	Thunder™ Grey
	7	Black Black™



Technical Information

All product dimensions are nominal.

Seat shape type: Elongated

Seat front type: Open front

Seat-mounting holes: 5-1/2" (140 mm)

Notes

Install this product according to the installation guide.

Features

- Vitreous china.
- Drop-in.
- Oval basin.
- Raised basin rim.
- With overflow.
- 4-inch centers.
- 20-1/4" (514 mm) x 17-1/2" (445 mm)

Recommended Accessories

K-8998 P-Trap



ADA CSA B651 OBC

Codes/Standards








ASME A112.19.2/CSA B45.1
ADA
ICC/ANSI A117.1
CSA B651
OBC

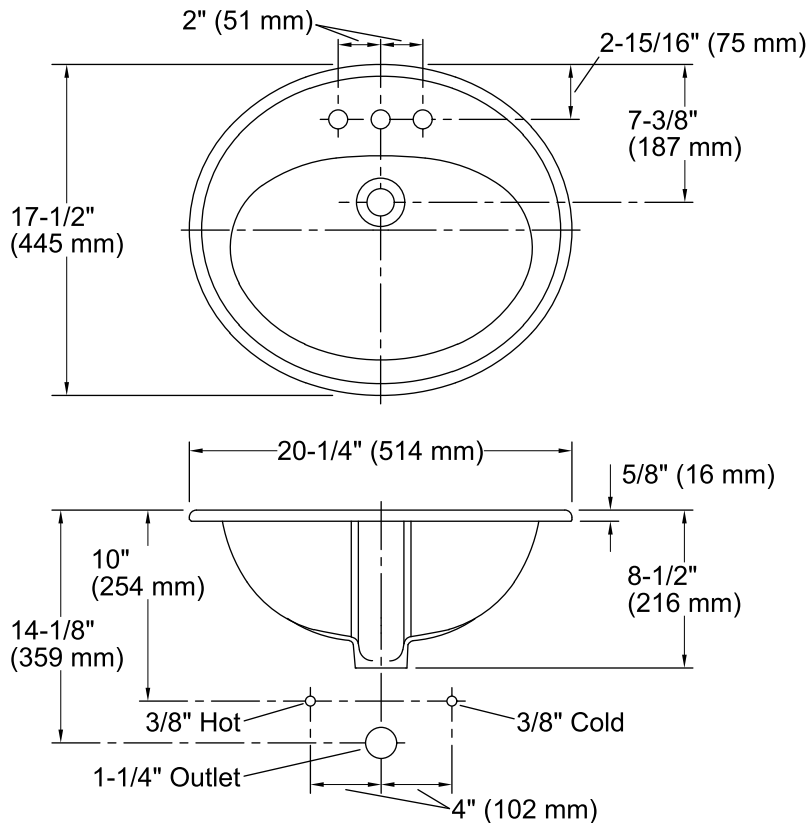
KOHLER® One-Year Limited Warranty

See website for detailed warranty information.

Available Color/Finishes

Color tiles intended for reference only.

Color	Code	Description
	0	White
	96	Biscuit
	47	Almond
	NY	Dune
	95	Ice™ Grey
	G9	Sandbar
	7	Black Black™

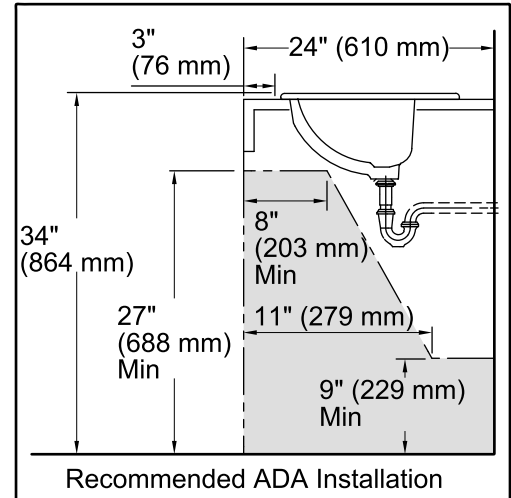


Standard Installation

Technical Information

All product dimensions are nominal.

Bowl configuration:	Single
Installation:	Drop-In
Bowl area (Only)	Length: 16" (406 mm) Width: 11" (279 mm) Water depth: 4" (102 mm)
Number of deck holes:	3
Faucet hole(s):	1-1/4" (32 mm)
Drain hole:	1-3/4" (44 mm)
Template:	1002970-7, required, included



Recommended ADA Installation

Notes

Install this product according to the installation instructions.

NOTICE: Countertop manufacturer or cutter must use the cut-out template provided with the product, or a current one provided by Kohler Co. (call 1-800-4-KOHLER). Kohler Co. is not responsible for cutout errors when the incorrect cut-out template is used.

ADA, OBC, CSA B651 compliant when installed to the specific requirements of these regulations.

ACRYLIC



Model AC91

Model AC90
(Right-hand Plumbing)

Model AC91
(Left-hand Plumbing)

Length: 61" (1549 mm)

Width: 32 1/2" (826 mm)

Height: 83 1/2" (2121 mm)

Shipping Weight: 209 lbs (95 kg)

Water to Overflow: 40 gallons (185 Litres)

Minimum Water Capacity: 31 gallons (140 Litres)

Materials: Manufactured from a one-piece acrylic sheet, reinforced with fibreglass.

The Ballintine bath/shower is economical, easy to maintain and leak proof with an integral dometop. It fits into a 5' opening and is popular for new construction or as a multi-piece unit for renovations.

Standard Features:

- Easy to clean high gloss surface
- Chip and mar resistant
- Moulded-in floor pattern
- Lumbar support backrest
- Upper and lower toiletry shelves
- Clear acrylic grip rail

Options:

- Light Kit

Colours:

- Standard: White, Almond (Bone) or Biscuit.
- Optional: Kohler Colours

Other Configurations:

- 3-piece knockdown (KD)
- Whirlpool (CMJ6)

All products manufactured by Hytec are covered by a comprehensive five-year limited warranty from the date of sale to the original owner. See the Hytec Bathing Fixtures List Price Book for further details.

Hytec Plumbing Products

(Division of Kohler Canada Co.)

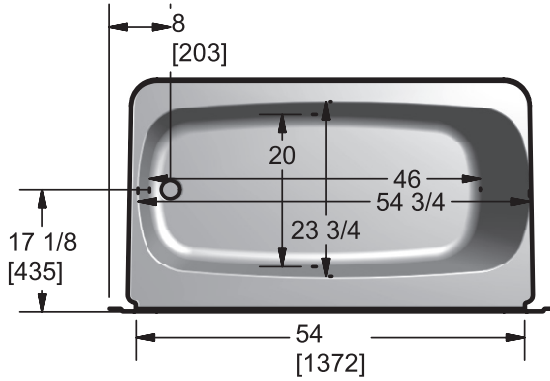
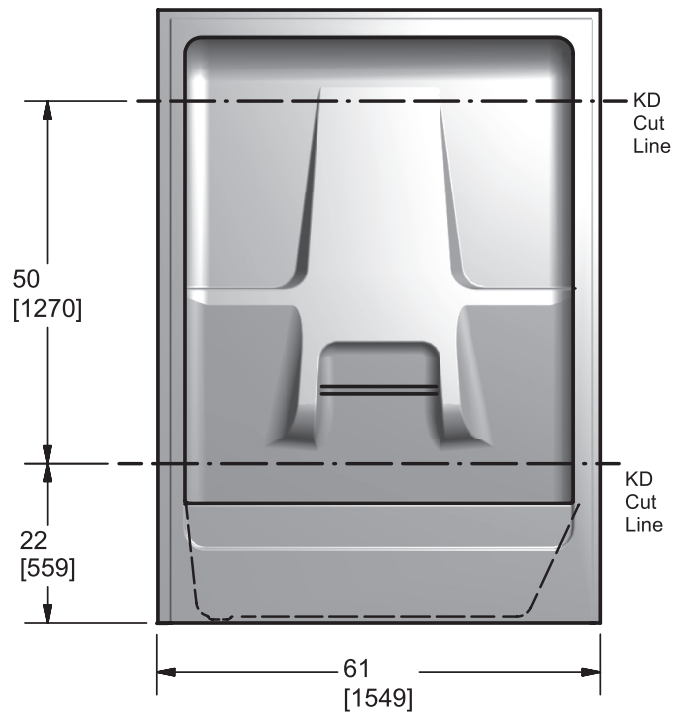
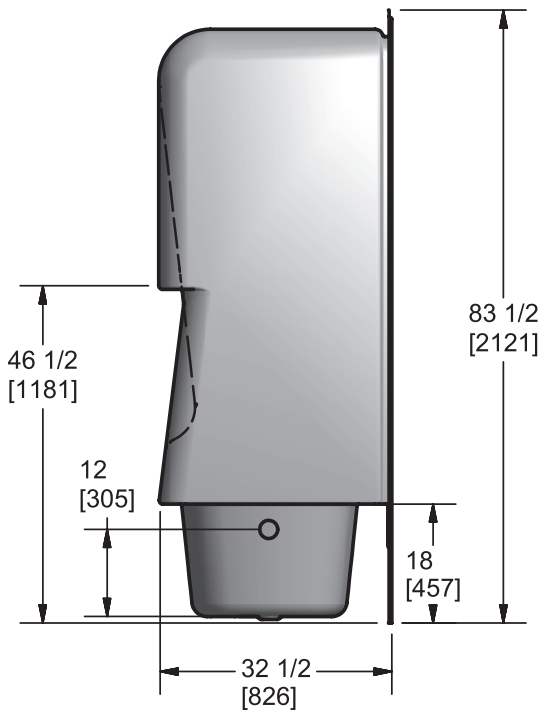
4150 Spallumcheen Dr, Armstrong BC V0E 1B6

Ph. (800) 871-8311 (250) 546-3196 Fax (250) 546-3170



Model AC90/91

ACRYLIC



Measurement tolerances ± 1/4" (6.3 mm)

All bathing fixtures comply with the applicable Canadian Standards.

For installation procedures, please refer to instructions included with each unit.

This sheet approximately describes products and equipment manufactured or supplied by Hytec Plumbing Products. Because of ongoing efforts to improve both design and quality, products and equipment actually furnished may differ without prior notice.



Hytec Plumbing Products

(Division of Kohler Canada Co.)

4150 Spallumcheen Dr, Armstrong BC V0E 1B6

Ph. (800) 871-8311 (250) 546-3196 Fax (250) 546-3170