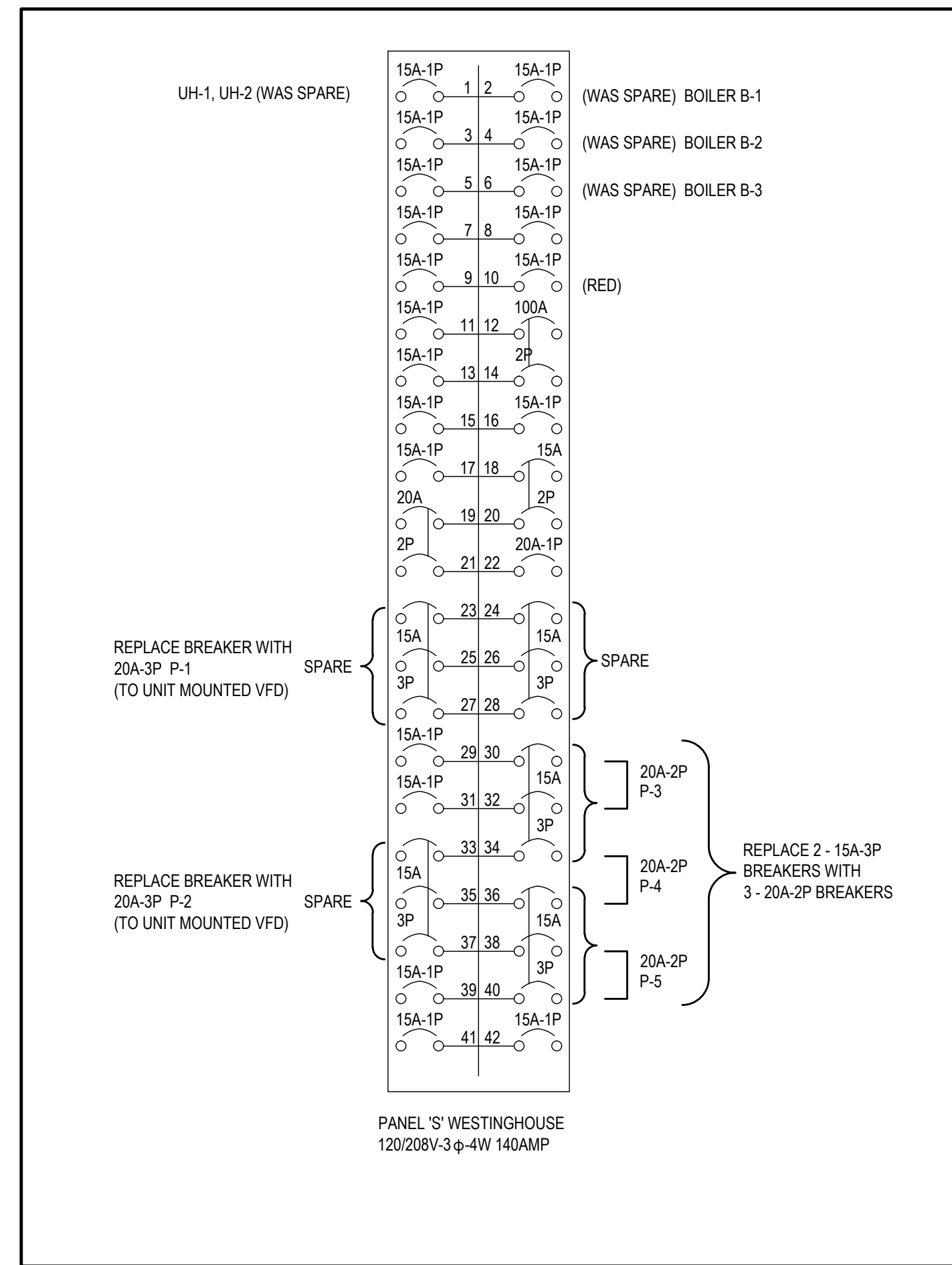


BOILER ROOM PLAN
SCALE: 1:50



PANEL 'S' SCHEMATIC
NOT TO SCALE

ELECTRICAL SPECIFICATION

GENERAL
CONFORM TO REQUIREMENTS OF GENERAL CONDITIONS. PROVIDE LABOUR, EQUIPMENT AND SERVICES NECESSARY TO PROPERLY COMPLETE THE ELECTRICAL WORK INDICATED ON THE DRAWINGS.

PERMITS AND FEES
OBTAIN AND PAY FOR THE PERMITS AND FEES NECESSARY FOR THE EXECUTION OF THE ELECTRICAL WORK. OBTAIN A CERTIFICATE OF ACCEPTANCE FROM THE INSPECTION AUTHORITY.

SITE VISIT
ACQUIRE FULL WORKING KNOWLEDGE OF BUILDING SITE AND ANY EXISTING CONDITIONS WHICH MAY AFFECT THE WORK. VISIT SITE PRIOR TO TENDER SUBMISSION.

PROTECTION
TAKE PRECAUTIONS TO PROTECT THE OCCUPANTS AND PERSONNEL FROM INJURY DUE TO LIVE CIRCUITS.

CONTRACT DRAWINGS
CONTRACT DRAWINGS FOR ELECTRICAL WORK ARE IN PART DIAGRAMMATIC, INTENDED TO CONVEY THE SCOPE OF WORK AND GENERAL ARRANGEMENT FOR EQUIPMENT, CONDUIT AND OUTLETS. BEFORE INSTALLATION, VERIFY THE PHYSICAL LOCATION OF ALL ELECTRICAL EQUIPMENT WITH OTHER TRADES AND REPORT ANY OBSTRUCTIONS OR INTERFERENCES. NO EXTRA PAYMENTS ARISING FROM FAILURE TO MAKE THIS VERIFICATION WILL BE CONSIDERED.

CUTTING AND PATCHING
PROVIDE ALL CUTTING AND PATCHING FOR HOLES AND CHASES REQUIRED FOR THE WORK.

SHOP DRAWINGS
SUBMIT TO THE ENGINEER FOR APPROVAL. ELECTRONIC PDF COPIES OF SHOP DRAWINGS TO INCLUDE LIGHTING, DISTRIBUTION & FIRE ALARM PRODUCTS.

AS-BUILTS DRAWINGS & OPERATION AND MAINTENANCE
PROVIDE AS-BUILTS DRAWINGS TO CONSULTANT. DRAWINGS TO BE KEPT UP TO DATE ON A DAILY BASIS AND HANDED TO CONSULTANT UPON COMPLETION OF PROJECT.

OPERATION AND MAINTENANCE MANUALS MUST BE REVIEWED AND ACCEPTED BY THE CONSULTANT AND THE COMMISSIONING AGENT BEFORE THE CERTIFICATE OF SUBSTANTIAL PERFORMANCE CAN BE ISSUED.

AN AMOUNT EQUAL TO 2% (MINIMUM) OF THE ELECTRICAL CONSTRUCTION PRICE MUST BE ALLOCATED FOR OPERATION AND MAINTENANCE MANUALS AND AS-BUILT DRAWINGS. THIS MUST BE A LINE ITEM IN THE ELECTRICAL PROGRESS BILLING.

PAYMENT WILL ONLY BE RELEASED ONCE MANUALS AND AS-BUILTS DRAWINGS HAVE BEEN ACCEPTED BY THE CONSULTANT. (NOTE: ACCEPTANCE OF THE OPERATION & MAINTENANCE MANUALS BY THE COMMISSIONING AGENT IS INCLUDED IN THE LINE ITEM FOR COMMISSIONING.)

WARRANTY
WARRANTY ALL WORK FOR TWELVE (12) MONTHS FROM DATE OF ACCEPTANCE.

COMMISSIONING
BREAKERS WITH
VERIFY AND CLEAN ALL ELECTRICAL EQUIPMENT AND REPAINT WHERE NECESSARY.

MATERIALS
ALL MATERIALS SHALL BE NEW AND HAVE CSA APPROVAL. WIRING SHALL BE AC90(BX) ABOVE T-BAR CEILING, RW90 XLPE IN EMT IN INTERIOR HEATED SPACES, AND PVC UNDER SLAB. MAXIMUM LENGTH OF AC90(BX) IS 3 METERS.

GROUNDING
GROUND ALL EQUIPMENT WITH APPROVED FITTINGS AND GROUND CONDUCTORS OF AMPLIFIED CAPACITY AS REQUIRED BY THE CSA ELECTRICAL CODE. ALL CONDUIT RUNS TO BE COMPLETE WITH GROUND/BONDING CONDUCTOR.

LABELS
PROVIDE ALL PANELS & EQUIPMENT WITH LAMICOD LABELS BLACK WITH WHITE CORE.

PANELS
PROVIDE UPDATED TYPE WRITTEN PANEL SCHEDULE FOR ANY PANEL MODIFIED DURING CONSTRUCTION.

WIRING DEVICES
ALL SPECIFICATION GRADE SWITCHES, RECEPTACLES TO BE WHITE C/W STAINLESS STEEL COVERPLATES.

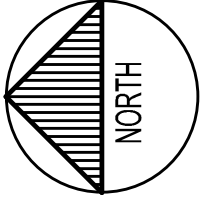
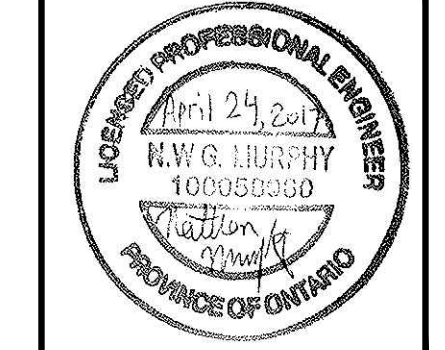
DEVICES MOUNTING HEIGHT
1. LOCAL SWITCHES: 1200mm (48") ABOVE FINISHED FLOOR
2. RECEPTACLES: 600mm (24") ABOVE FINISHED FLOOR



1224 GARDINERS ROAD, SUITE 201
KINGSTON, ONTARIO
CANADA K7P 0G2
PHONE: 613-634-7373 FAX: 613-634-3823
WWW.WSPGROUP.COM

CONSULTANT:

SEAL:



CLIENT:

CORRECTIONAL SERVICES CANADA

CLIENT REF. #

PROJECT:

**CSC STAFF COLLEGE
BOILER REPLACEMENT**

KEY PLAN:

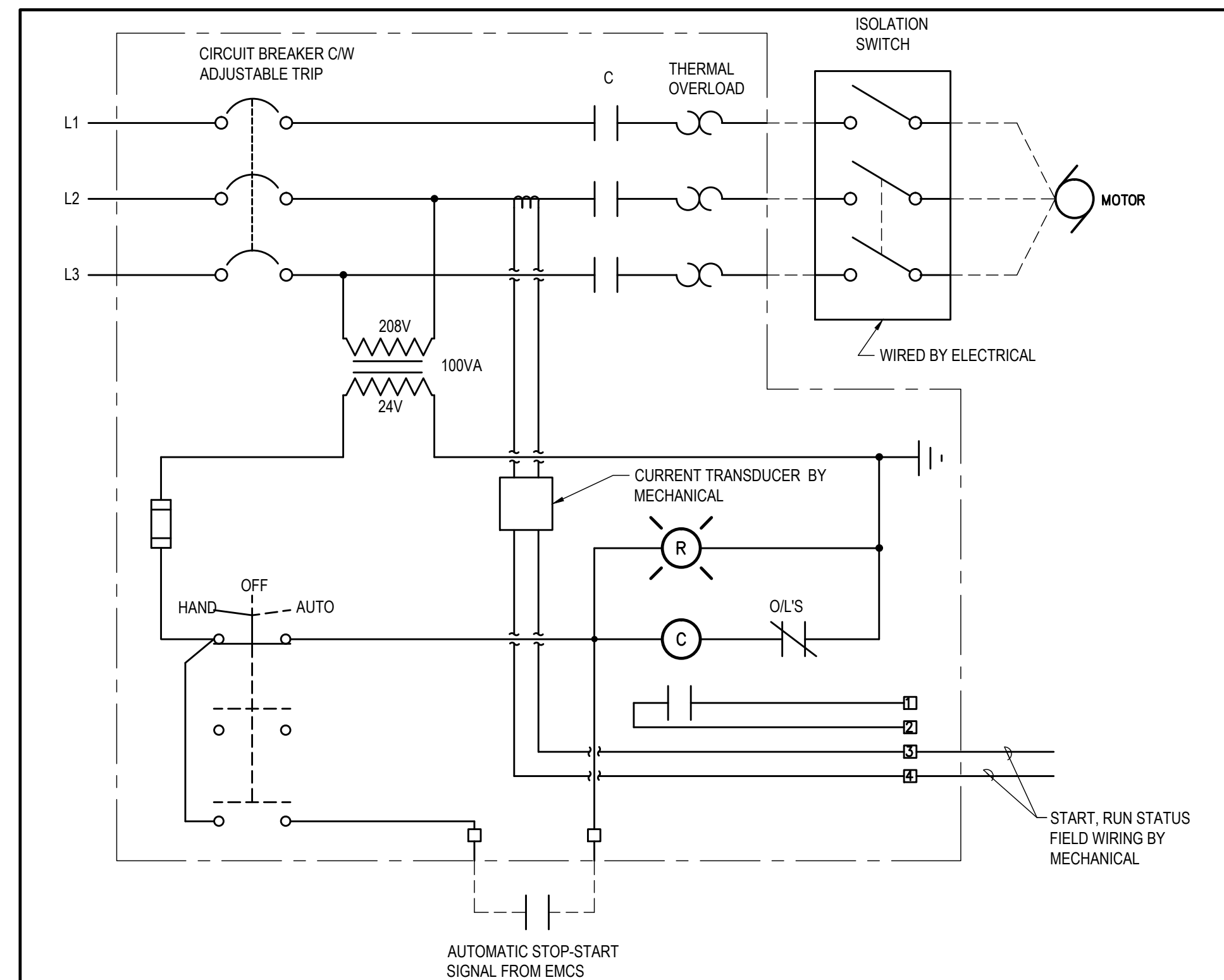
DISCLAIMER:
THIS DRAWING AND DESIGN IS COPYRIGHT PROTECTED WHICH SHALL NOT BE USED, REPRODUCED OR REVISED WITHOUT WRITTEN PERMISSION BY WSP. THE CONTRACTOR SHALL CHECK AND VERIFY ALL DIMENSIONS AND UTILITY LOCATIONS AND REPORT ALL ERRORS AND OMISSIONS PRIOR TO COMMENCING WORK.
THIS DRAWING IS NOT TO BE SCALED.

ISSUED FOR - REVISION

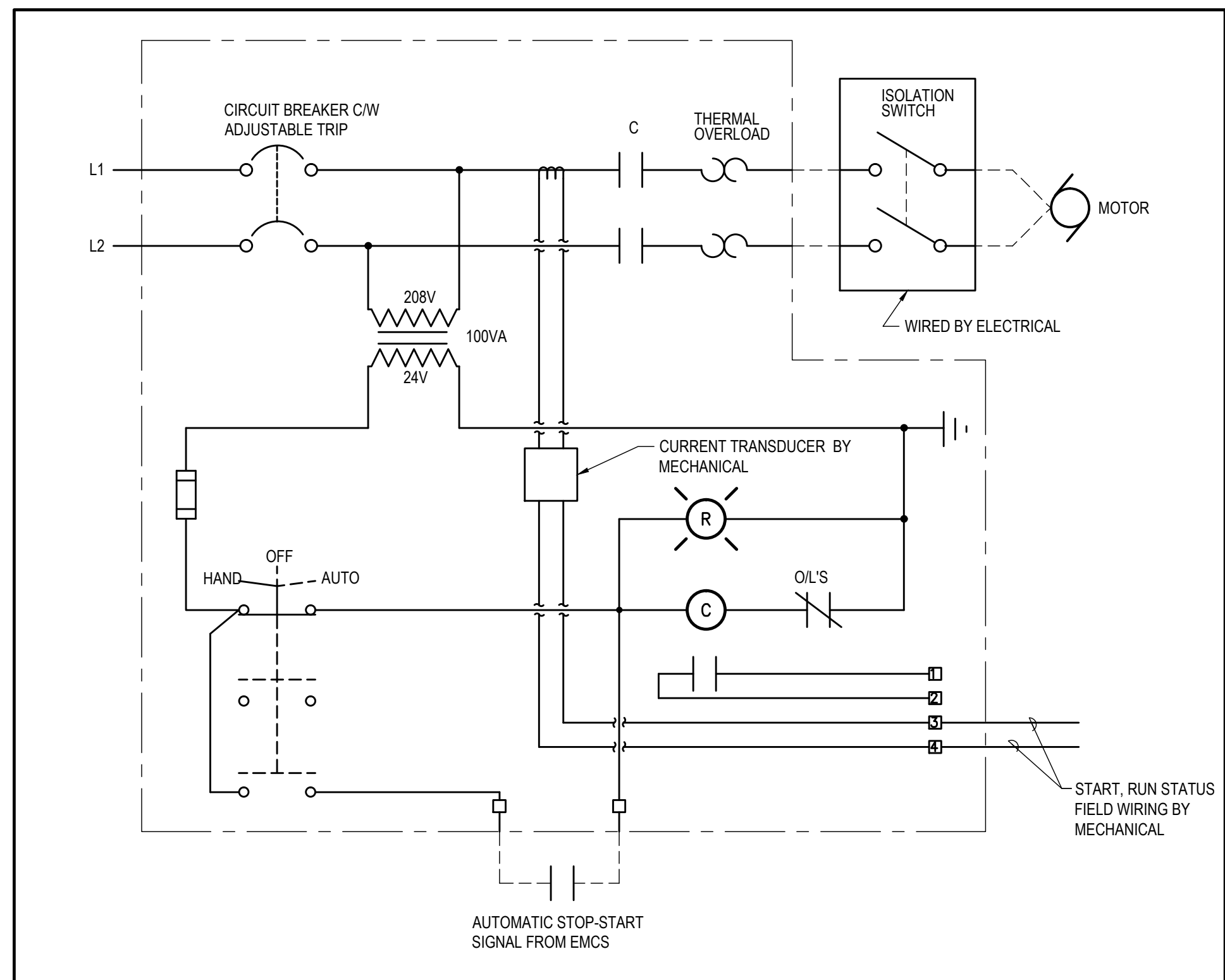
NO.	DATE	DESCRIPTION
1	APR 24, 2017	ISSUED FOR TENDER

IS	RE	DATE	DESCRIPTION
PROJECT NO:	171-00079-00	DATE:	APRIL 24 2017
ORIGINAL SCALE:	1:50	IF THIS BAR IS NOT 25mm LONG, ADJUST YOUR PLOTTING SCALE.	
DESIGNED BY:	NM		
DRAWN BY:	ET		
CHECKED BY:	NM		
DISCIPLINE:	ELECTRICAL		

TITLE:	BOILER ROOM ELECTRICAL PLAN AND SCHEMATICS		
SHEET NUMBER:	E1.2		
SHEET #:	2	OF	2
ISSUE:	TENDER		
DATE OF:	APRIL 24 2017		
REV #:	1		



MOTOR CONTROL WIRING DIAGRAM FOR P1, P2
NOT TO SCALE



MOTOR CONTROL WIRING DIAGRAM FOR P3, P4, P5
NOT TO SCALE