



revision	description	date
01	ISSUED FOR TENDER	15/03/26

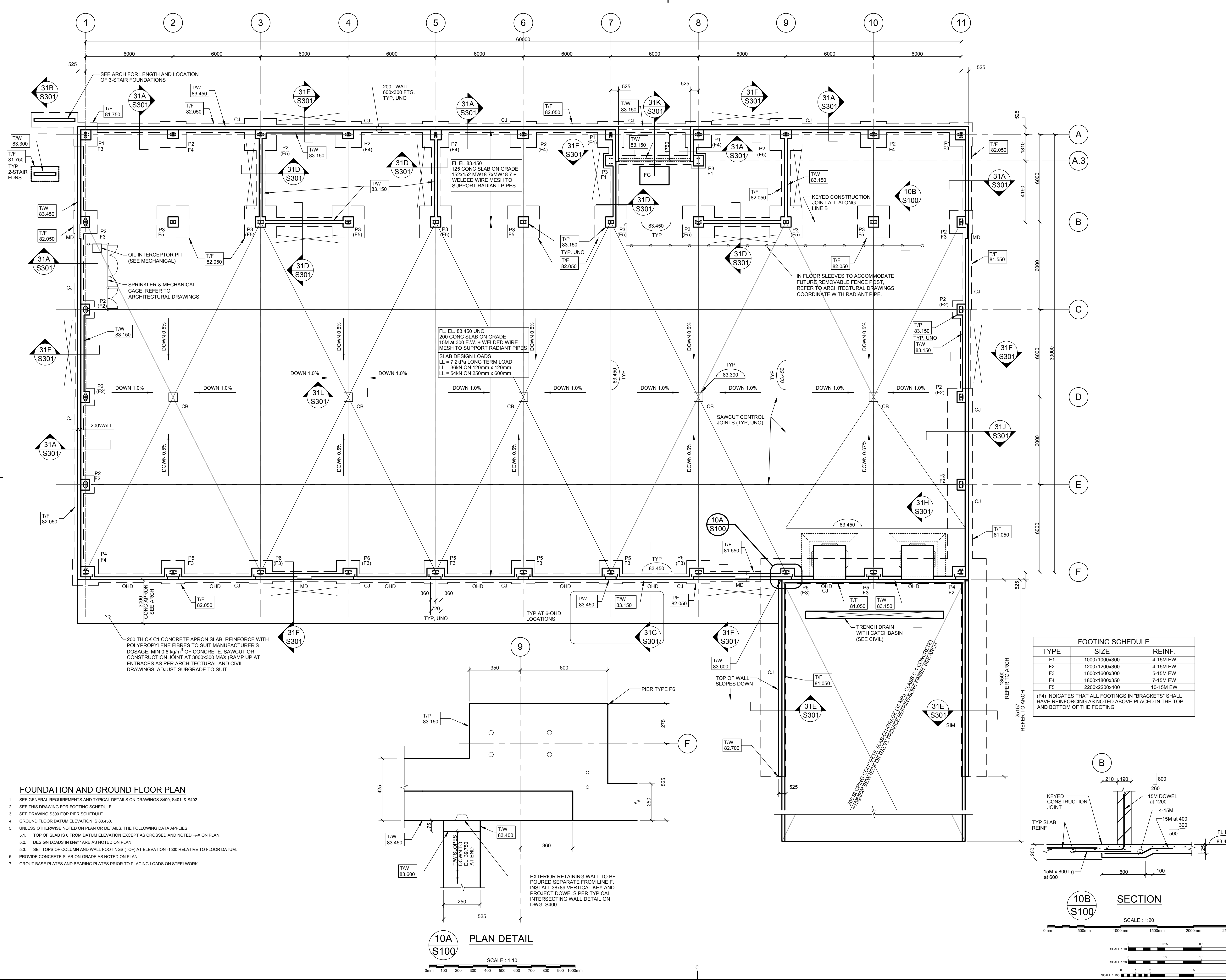
A	A detail no. du détail	A
C	B location drawing no. sur dessin no.	B C
	C drawing no. dessin no.	

project CSC MULTI-PURPOSE BUILDING
CBI MINIMUM INSTITUTION (FRONTENAC)
KINGSTON, ONTARIO

drawing dessin

FOUNDATION PLAN

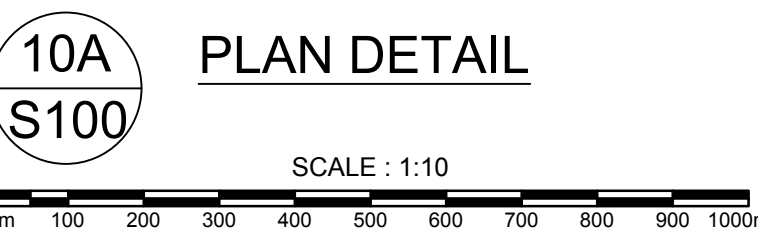
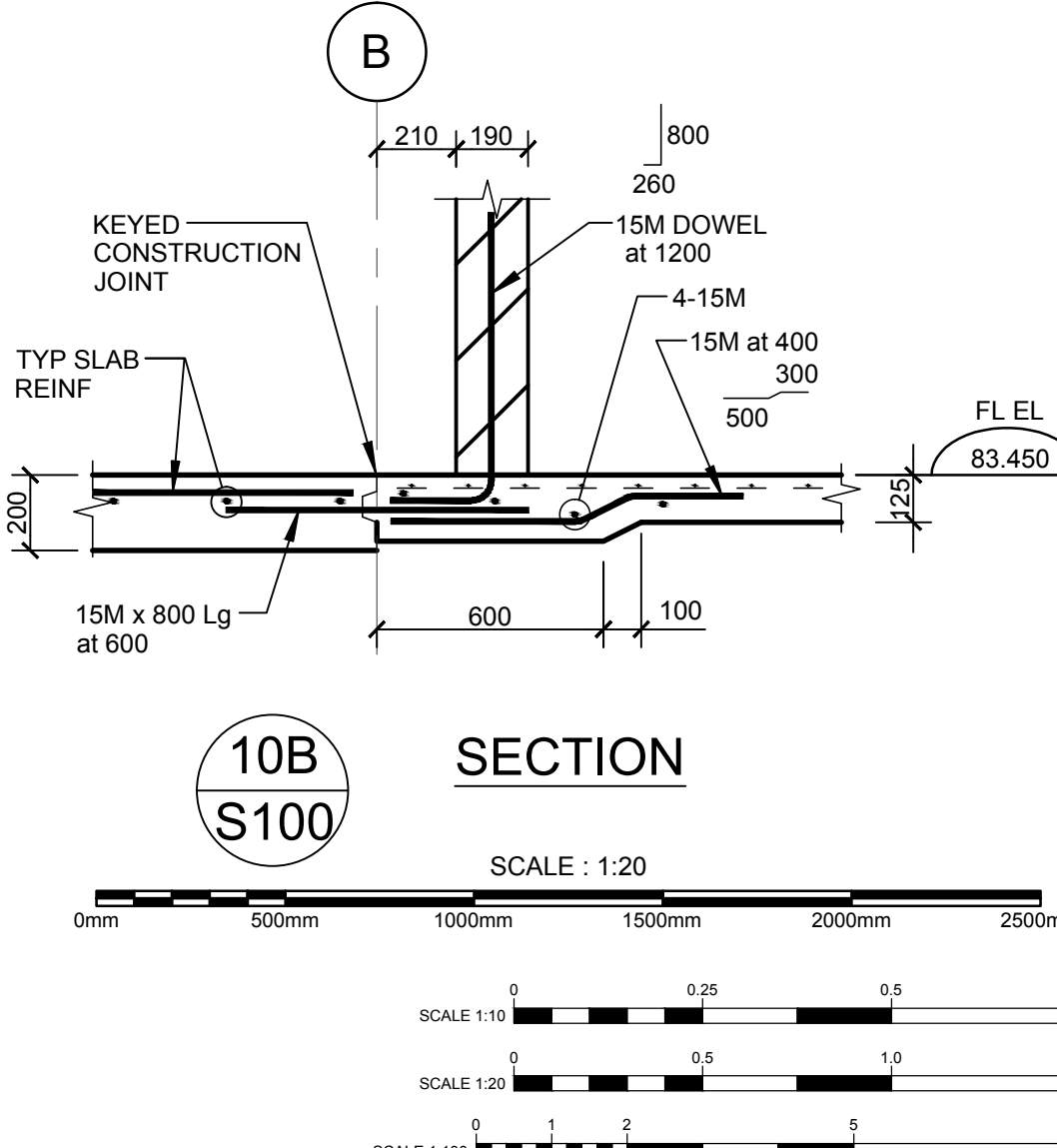
designed	IJF	conçu
date	2014/04/22	(yyyy/mm/dd)
drawn	PDM	dessiné
date	2014/04/22	(yyyy/mm/dd)
reviewed	IJF	examiné
date	2015/03/11	(yyyy/mm/dd)
approved	IJF	approuvé
date	2015/03/11	(yyyy/mm/dd)
Tender	DUNCAN PARKER	Submission
Project Manager	Administrateur de projets	
project no.	R.055776.001	no. du projet
drawing no.	S100	no. du dessin



FOOTING SCHEDULE

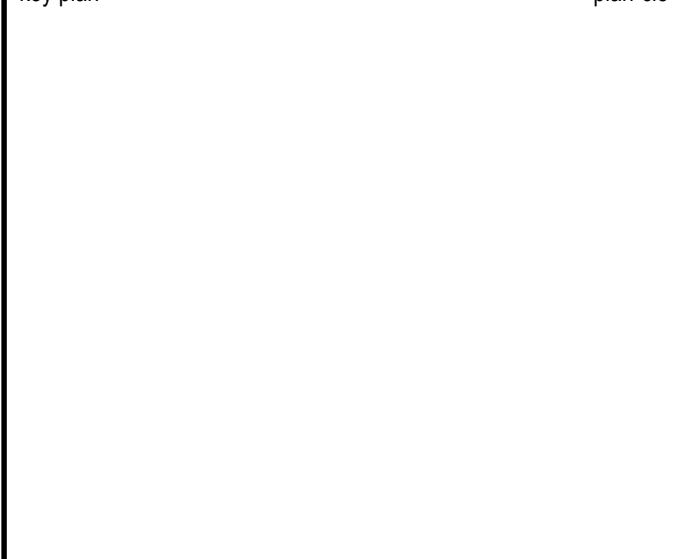
TYPE	SIZE	REINF.
F1	1000x1000x300	4-15M EW
F2	1200x1200x300	4-15M EW
F3	1600x1600x300	5-15M EW
F4	1800x1800x350	7-15M EW
F5	2200x2200x400	10-15M EW

(F4) INDICATES THAT ALL FOOTINGS IN "BRACKETS" SHALL HAVE REINFORCING AS NOTED ABOVE PLACED IN THE TOP AND BOTTOM OF THE FOOTING



- FOUNDATION AND GROUND FLOOR PLAN**
- SEE GENERAL REQUIREMENTS AND TYPICAL DETAILS ON DRAWINGS S400, S401, & S402.
 - SEE THIS DRAWING FOR FOOTING SCHEDULE.
 - SEE DRAWING S500 FOR PIER SCHEDULE.
 - GROUND FLOOR DATUM ELEVATION IS 83.450.
 - UNLESS OTHERWISE NOTED ON PLAN OR DETAILS, THE FOLLOWING DATA APPLIES:
 - TOP OF SLAB IS 0 FROM DATUM ELEVATION EXCEPT AS CROSSED AND NOTED ++X ON PLAN.
 - DESIGN LOADS IN kN/m² ARE AS NOTED ON PLAN.
 - SET TOPS OF COLUMN AND WALL FOOTINGS (TOP) AT ELEVATION -1500 RELATIVE TO FLOOR DATUM.
 - PROVIDE CONCRETE SLAB-ON-GRADE AS NOTED ON PLAN.
 - GROUT BASE PLATES AND BEARING PLATES PRIOR TO PLACING LOADS ON STEELWORK.

ALL LETTERS, NUMBERS, AND SYMBOLS IN THIS DRAWING SHALL BE IN ACCORDANCE WITH THE CANADIAN STANDARDS ASSOCIATION (CSA) STANDARD S400-10. THE DRAWING SHALL BE IN ACCORDANCE WITH THE CANADIAN STANDARDS ASSOCIATION (CSA) STANDARD S400-10. THE DRAWING SHALL BE IN ACCORDANCE WITH THE CANADIAN STANDARDS ASSOCIATION (CSA) STANDARD S400-10.



01	ISSUED FOR TENDER	15/03/26
revision	description	date

A	A detail no. no. du détail	A
C	B location drawing no. sur dessin no.	B
	C drawing no. dessin no.	C

project projet
CSC MULTI-PURPOSE BUILDING
CBI MINIMUM INSTITUTION (FRONTENAC)
KINGSTON, ONTARIO

drawing dessin

MEZZANINE FRAMING PLAN

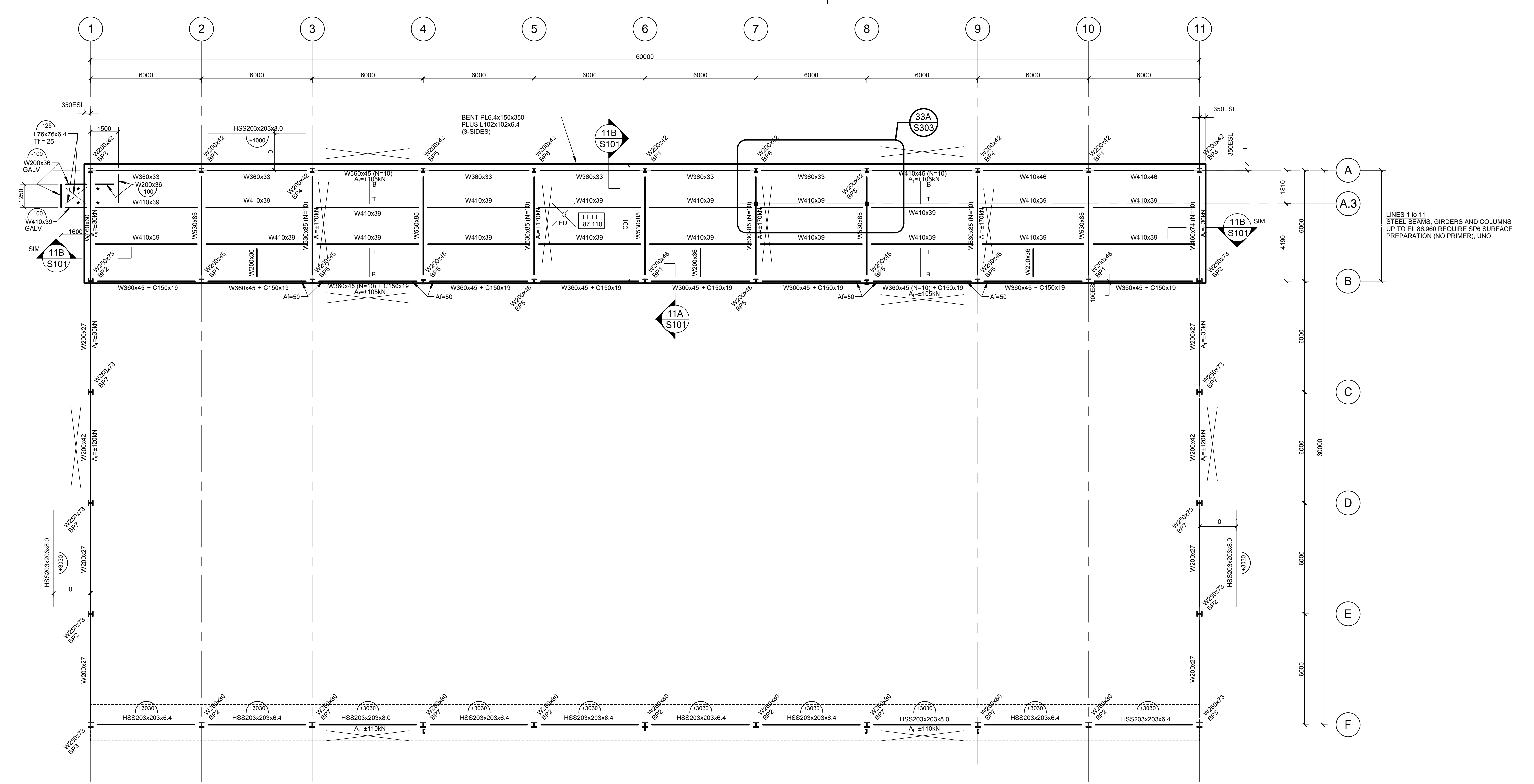
designed	IJF	conçu
date	2014/04/22	(yyyy/mm/dd)
drawn	PJM	dessiné
date	2014/04/22	(yyyy/mm/dd)
reviewed	IJF	examiné
date	2015/03/11	(yyyy/mm/dd)
approved	IJF	approuvé
date	2015/03/11	(yyyy/mm/dd)
Tender	DUNCAN PARKER	Soumission

Project Manager Administrateur de projets
project no. no. du projet

R.055776.001

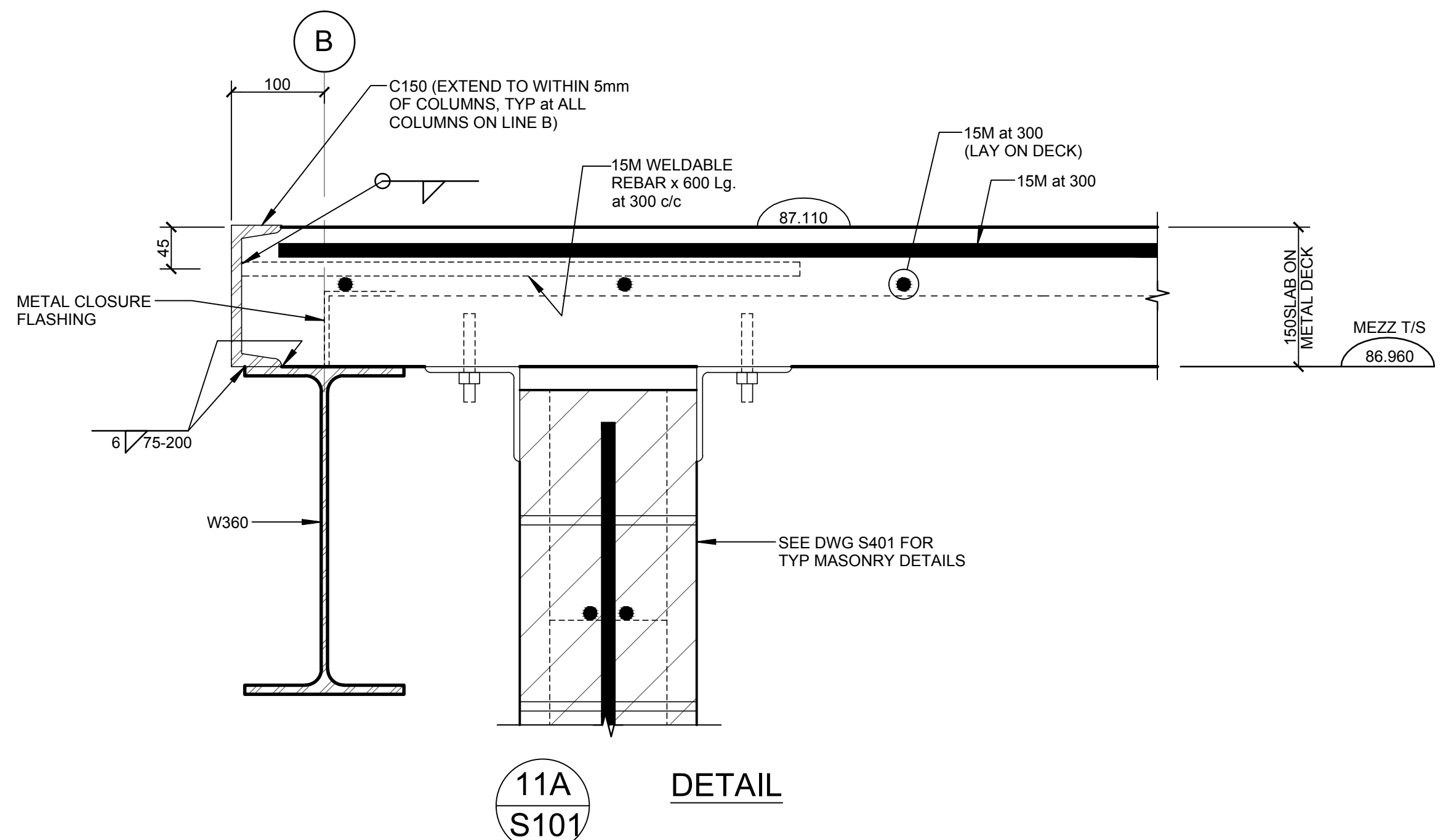
drawing no. no. du dessin

S101



*CD1= FLOOR CONSTRUCTION UNO
150mm CONC. SLAB
15M at 300 EW
76mm, 20 Ga. MIN., COMP. METAL
FLOOR DECK, Z275
3 SPAN CONT. MIN.

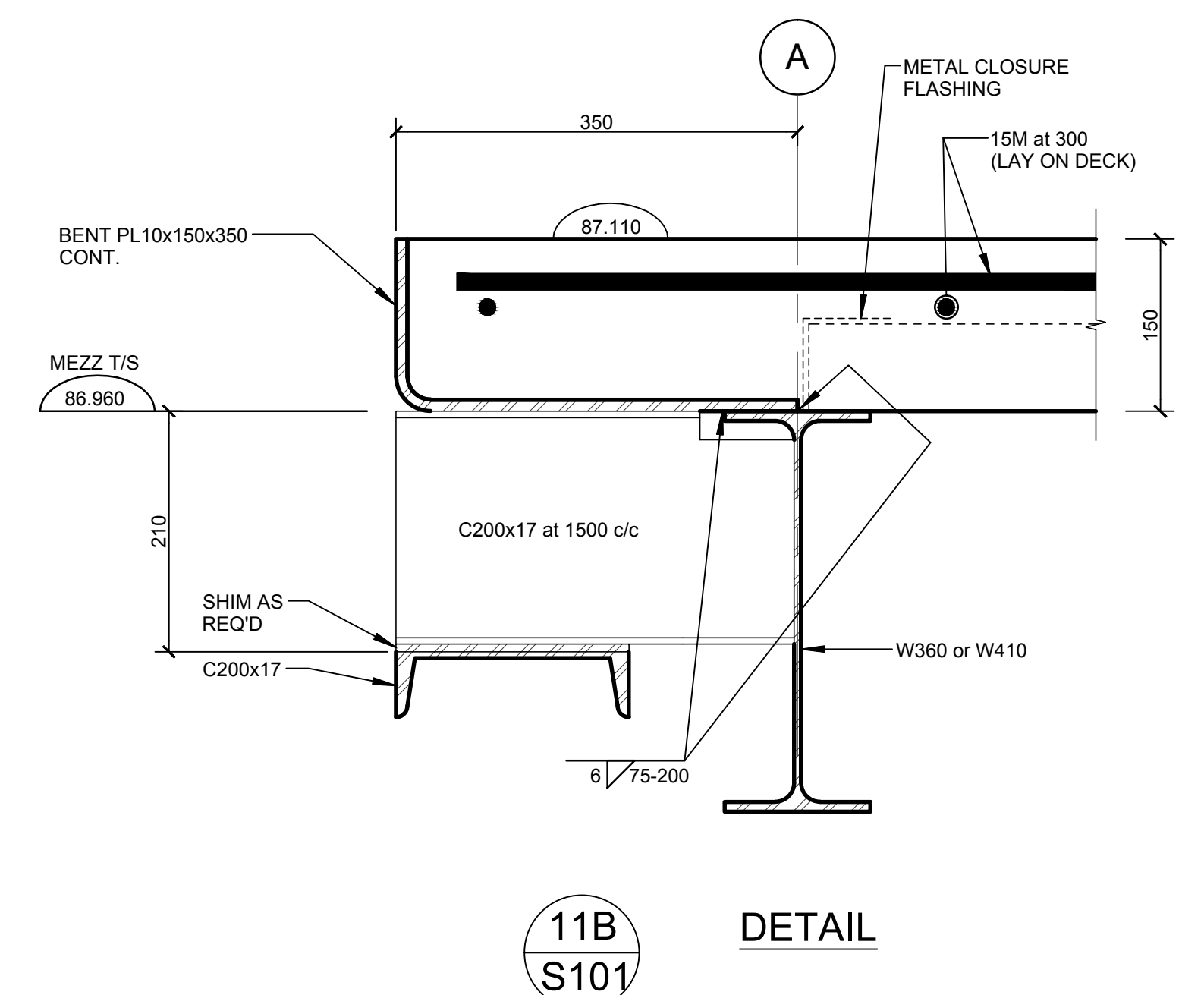
FLOOR DESIGN LOADS (SPECIFIED)
DL = 5.5 kPa
LL = 9.6 kPa
TL = 15.1 kPa
** INCLUDES 1.5 kPa CONCRETE
PAD ALLOWANCE



11A S101

DETAIL

SCALE: 1:5



11B S101

DETAIL

SCALE: 1:5



MEZZANINE FLOOR FRAMING PLAN

- SEE GENERAL REQUIREMENTS AND TYPICAL DETAILS ON DRAWINGS DRAWINGS S400, S401, & S402.
- MEZZANINE FLOOR DATUM ELEVATION IS 87.110.
- UNLESS OTHERWISE NOTED ON PLANS OR DETAILS, THE FOLLOWING DATA APPLIES:
 - TOP OF SLAB IS 0 FROM DATUM ELEVATION EXCEPT AS CROSSED AND NOTED ON PLAN.
 - TOP OF STEEL BEAMS IS AT UNDERSIDE OF STEEL DECK, WHERE BEAMS SUPPORT JOISTS, SET TOP OF BEAMS AT UNDERSIDE OF JOIST SHOE.
 - WHERE BEAMS NOTED THUS \times , X IS DISTANCE TO TOP OF BEAM FROM FLOOR DATUM.
 - DESIGN LOADS ARE NOTED ON PLAN.
 - TRIM ALL SIDES OF FRAMED OPENINGS IN FLOOR WITH C150x12 UN.
- "CD1" ON PLAN DENOTES CONCRETE ON STEEL DECK AS DEFINED ON S101.
- MECHANICAL LOADS SHOWN ON PLAN ARE APPROXIMATE. EXACT MAGNITUDE AND POSITION OF MECHANICAL LOADS ARE TO BE VERIFIED WITH MECHANICAL DRAWINGS PRIOR TO JOIST DESIGN.
- "N" ON PLAN DENOTES 190 x 125 LG STUD ANCHORS.

ALL LETTERS, DIMENSIONS, AND NOTATIONS TO BE PLACED IN THE DRAWING IN ACCORDANCE WITH THE CANADIAN STANDARDS ASSOCIATION (CSA) STANDARD S400, S401, & S402. THE DRAWING IS THE PROPERTY OF THE CLIENT AND IS NOT TO BE REPRODUCED OR TRANSMITTED IN ANY FORM OR BY ANY MEANS, ELECTRONIC OR MECHANICAL, INCLUDING PHOTOCOPYING, RECORDING, OR BY ANY INFORMATION STORAGE AND RETRIEVAL SYSTEM, WITHOUT THE WRITTEN PERMISSION OF THE CLIENT.



01	ISSUED FOR TENDER	15/03/26
revision	description	date

A	A detail no. du détail	A
C	B location drawing no. sur dessin no.	B C
	C drawing no. dessin no.	

project projet
CSC MULTI-PURPOSE BUILDING
CBI MINIMUM INSTITUTION (FRONTENAC)
KINGSTON, ONTARIO

drawing dessin

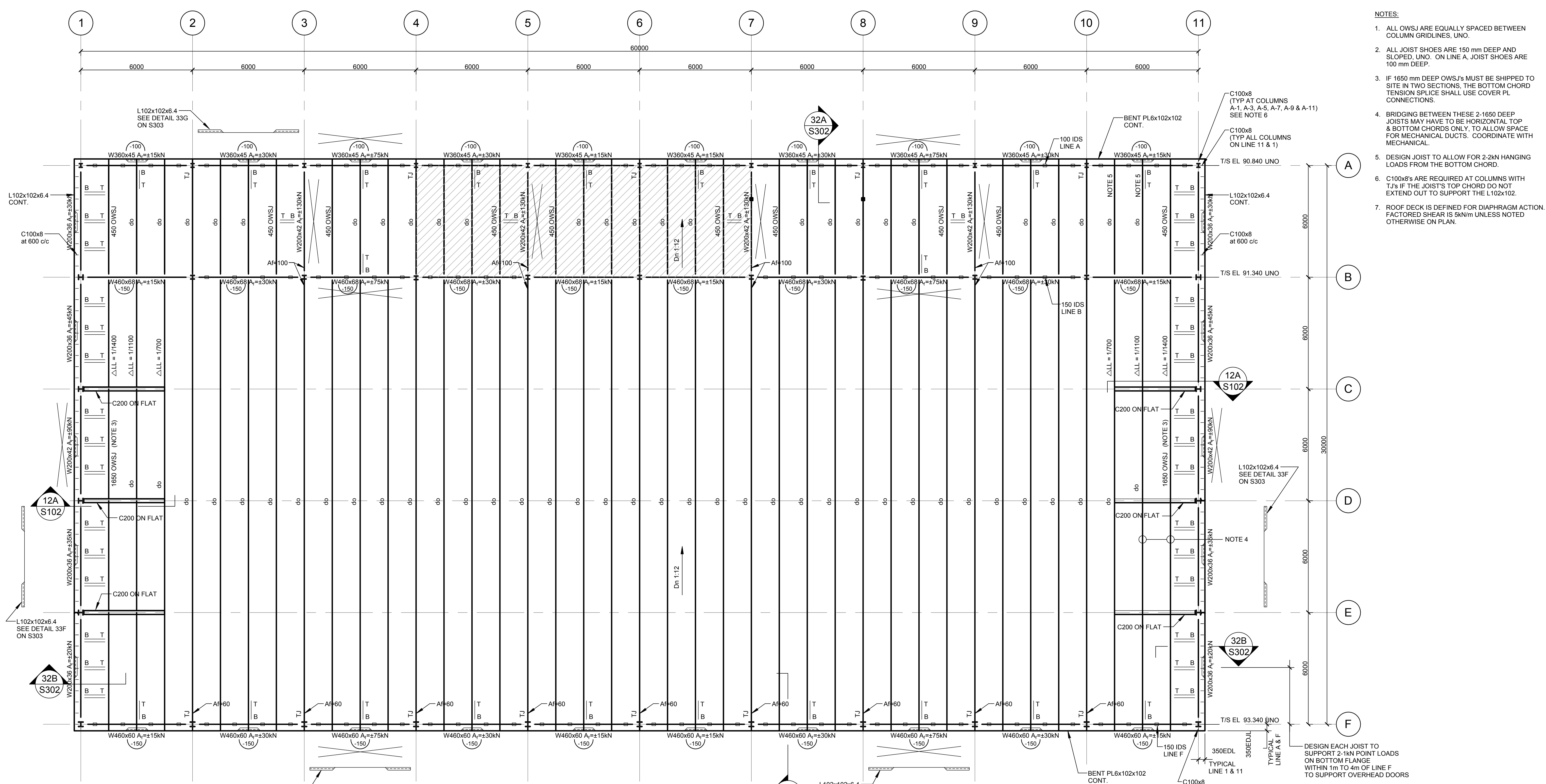
ROOF FRAMING PLAN

designed	IJF	conçu
date	2014/04/22	(yyyy/mm/dd)
drawn	PDM	dessiné
date	2014/04/22	(yyyy/mm/dd)
reviewed	IJF	examiné
date	2015/03/11	(yyyy/mm/dd)
approved	IJF	approuvé
date	2015/03/11	(yyyy/mm/dd)
Tender	DUNCAN PARKER	Submission
Project Manager	Administrateur de projets	
project no.	no. du projet	

R.055776.001

drawing no. no. du dessin
S102

- NOTES:**
- ALL OWSJ ARE EQUALLY SPACED BETWEEN COLUMN GRIDLINES, UNO.
 - ALL JOIST SHOES ARE 150 mm DEEP AND SLOPED, UNO. ON LINE A, JOIST SHOES ARE 100 mm DEEP.
 - IF 1650 mm DEEP OWSJ'S MUST BE SHIPPED TO SITE IN TWO SECTIONS, THE BOTTOM CHORD TENSION SPLICE SHALL USE COVER PL CONNECTIONS.
 - BRIDGING BETWEEN THESE 2-1650 DEEP JOISTS MAY HAVE TO BE HORIZONTAL TOP & BOTTOM CHORDS ONLY. TO ALLOW SPACE FOR MECHANICAL DUCTS. COORDINATE WITH MECHANICAL.
 - DESIGN JOIST TO ALLOW FOR 2-2KN HANGING LOADS FROM THE BOTTOM CHORD.
 - C100x8'S ARE REQUIRED AT COLUMNS WITH TJS IF THE JOISTS TOP CHORD DO NOT EXTEND OUT TO SUPPORT THE L102x102.
 - ROOF DECK IS DEFINED FOR DIAPHRAGM ACTION. FACTORED SHEAR IS 5kN/m UNLESS NOTED OTHERWISE ON PLAN.



ROOF DESIGN LOADS UNO (SPECIFIED)

DL = 1.50 kPa + WOS
SL = 2.08 kPa
TL = 3.58 kPa + WOS

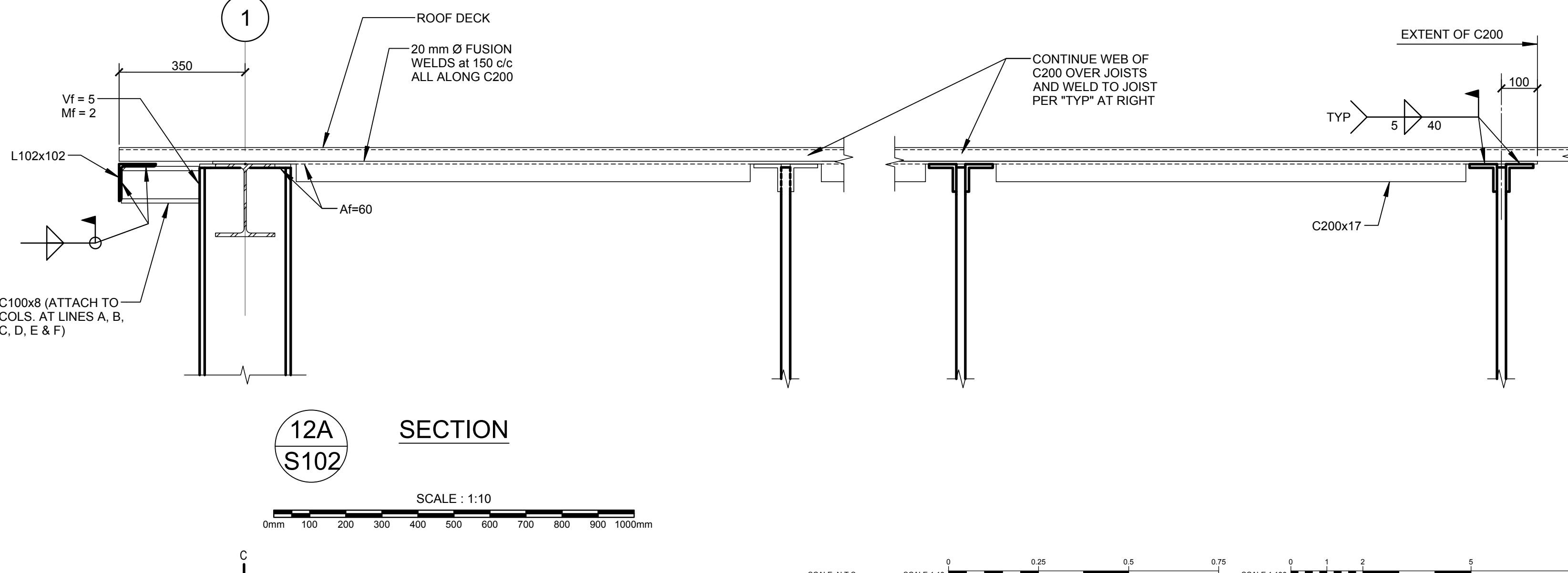
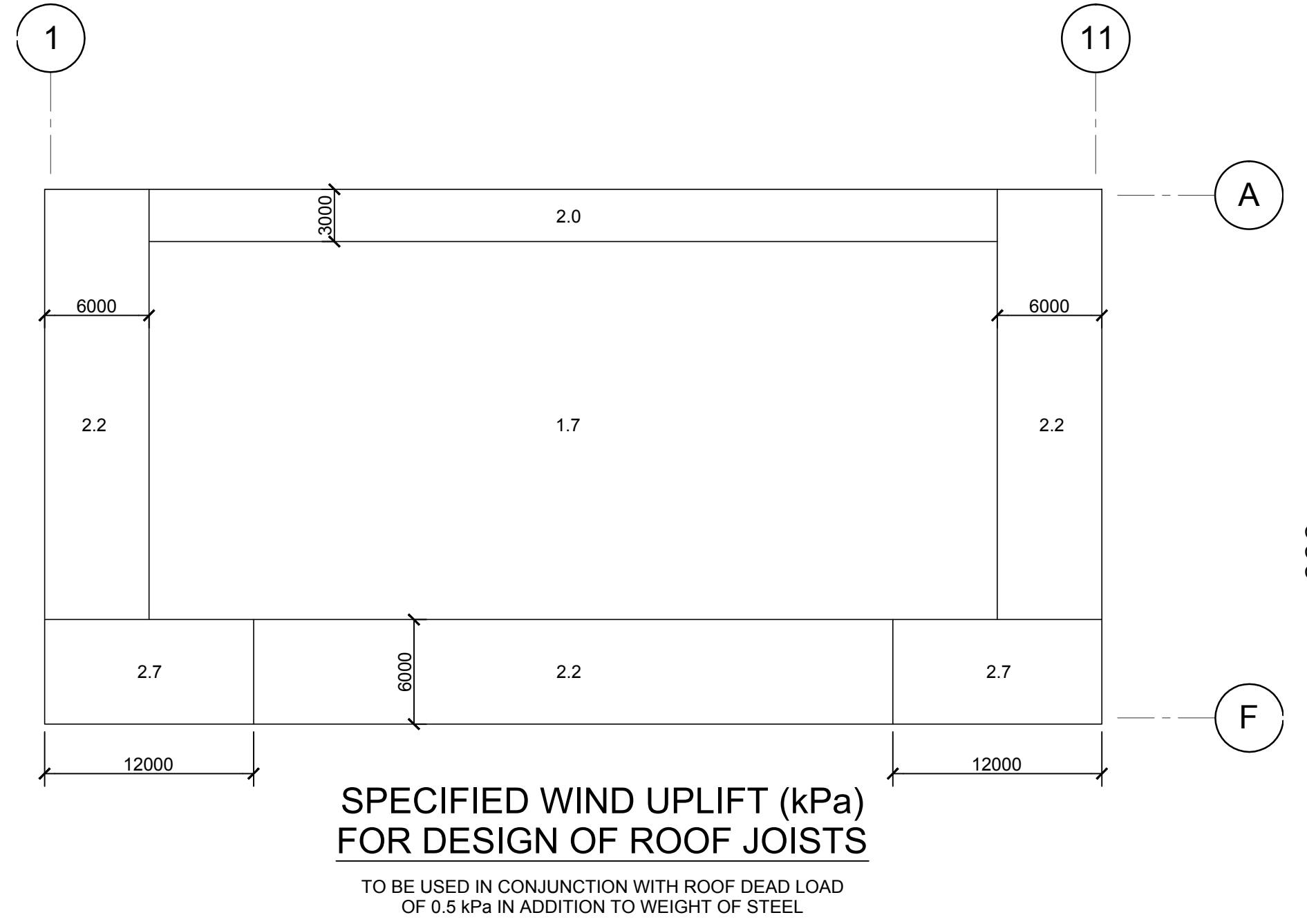
**** INCLUDES 1.0 kPa ALLOWANCE FOR HANGING EQUIPMENT**

ALL DESIGN SNOW LOADS INDICATED ON THIS DRAWING INCLUDE A ULS IMPORTANCE FACTOR (IS) OF 1.0. THIS IMPORTANCE FACTOR MAY BE REDUCED TO 0.9 FOR SLS.

ROOF PLAN (T/S, SEE PLAN)
SCALE: 1:100

ROOF FRAMING PLAN

- SEE GENERAL REQUIREMENTS AND TYPICAL DETAILS ON DRAWINGS S400, S401, & S402.
- ROOF DATUM ELEVATION SLOPES, REFER TO PLAN.
- UNLESS OTHERWISE NOTED ON PLAN OR DETAILS, THE FOLLOWING DATA APPLIES:
3.1. UNDERSIDE OF STEEL DECK IS FROM DATUM ELEVATION EXCEPT AS CROSSED AND NOTED [EX] ON PLAN.
3.2. TOP OF STEEL BEAMS IS AT UNDERSIDE OF STEEL DECK WHERE BEAMS SUPPORT JOISTS. SET TOP OF BEAMS AT UNDERSIDE OF JOIST SHOE.
3.3. WHERE BEAMS NOTED THUS [EX], X IS DISTANCE TO TOP OF BEAM FROM ROOF DATUM.
3.4. TRIM ALL SIDES OF FRAMED OPENINGS IN ROOF WITH C150x12 UN.
3.5. PROVIDE CONTINUOUS BENT PLATES WHERE REQUIRED TO SUPPORT THE SLOPING DECK. SEE TYPICAL DETAILS.
- MINIMUM DESIGN SNOW LOAD ON ROOF IS NOTED ON S102.
- DESIGN RAIN LOAD ON ROOF IS INDICATED ON PLAN IF IT EXCEEDS SNOW LOAD.
- MINIMUM DESIGN WIND UPLIFT ON ROOF IS NOTED ON S102.
- DESIGN DEAD LOAD IS NOTED ON S102.
- "D1" ON PLAN DENOTES STEEL DECK NOTED ON S101.
- ROOF DECK IS DESIGNED FOR DIAPHRAGM ACTION. FACTORED SHEAR IS 5 kN/m UNLESS OTHERWISE NOTED ON PLAN.
- UNLESS OTHERWISE NOTED, DESIGN STEEL JOISTS FOR DL+1.5, LL+ SNOW OR RAIN. ALSO DESIGN JOIST CHORDS FOR 1.0 KN POINT LOAD APPLIED ANYWHERE ALONG THEIR LENGTH. SEE PLANS FOR ADDITIONAL POINT LOADS AND MECHANICAL LOADS. SEE TYPICAL DETAIL FOR ADDITIONAL LOAD FOR THE JOISTS.
- MECHANICAL LOADS SHOWN ON PLAN ARE APPROXIMATE. EXACT MAGNITUDE AND POSITION OF MECHANICAL LOADS ARE TO BE VERIFIED WITH MECHANICAL DRAWINGS PRIOR TO JOIST DESIGN.
- DESIGN STEEL DECK, JOISTS AND BRIDGING FOR NET FACTORED UPLIFT OF 1.2kPa (MIN).





01	ISSUED FOR TENDER	15/03/26
revision	description	date

A	A detail no. du détail	A
C	B location drawing no. sur dessin no.	B
	C drawing no. dessin no.	C

project projet
**CSC MULTI-PURPOSE BUILDING
CBI MINIMUM INSTITUTION (FRONTENAC)**
KINGSTON, ONTARIO

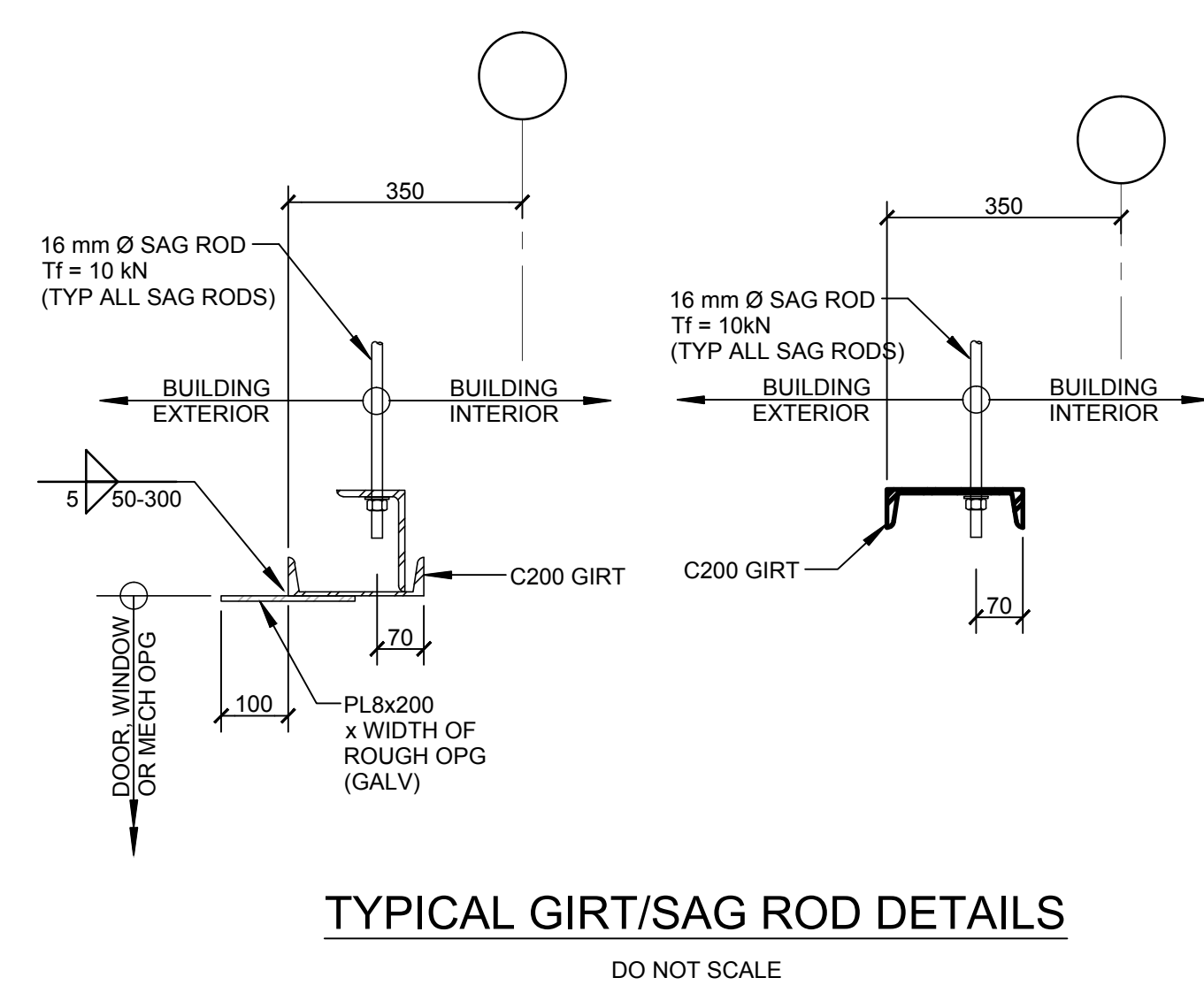
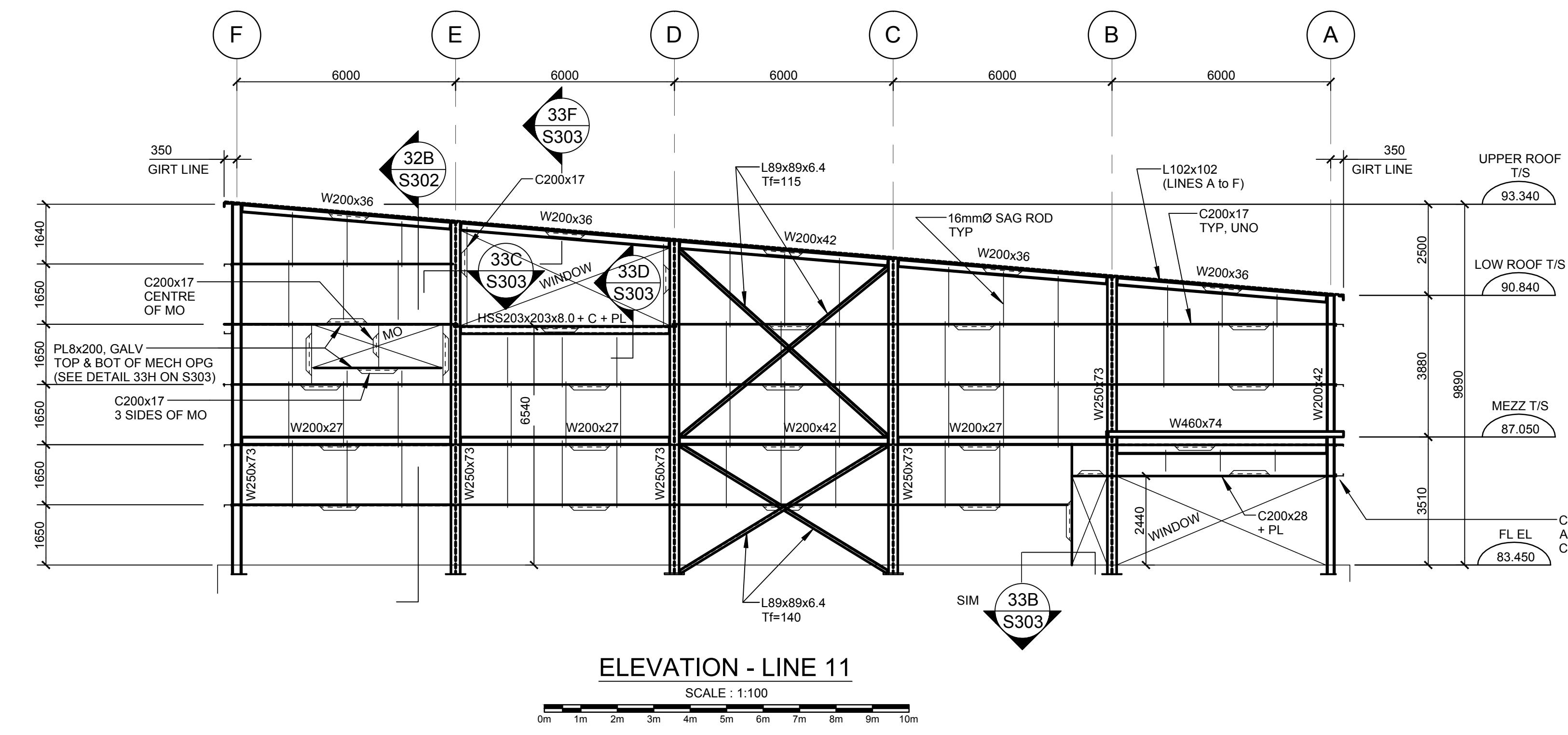
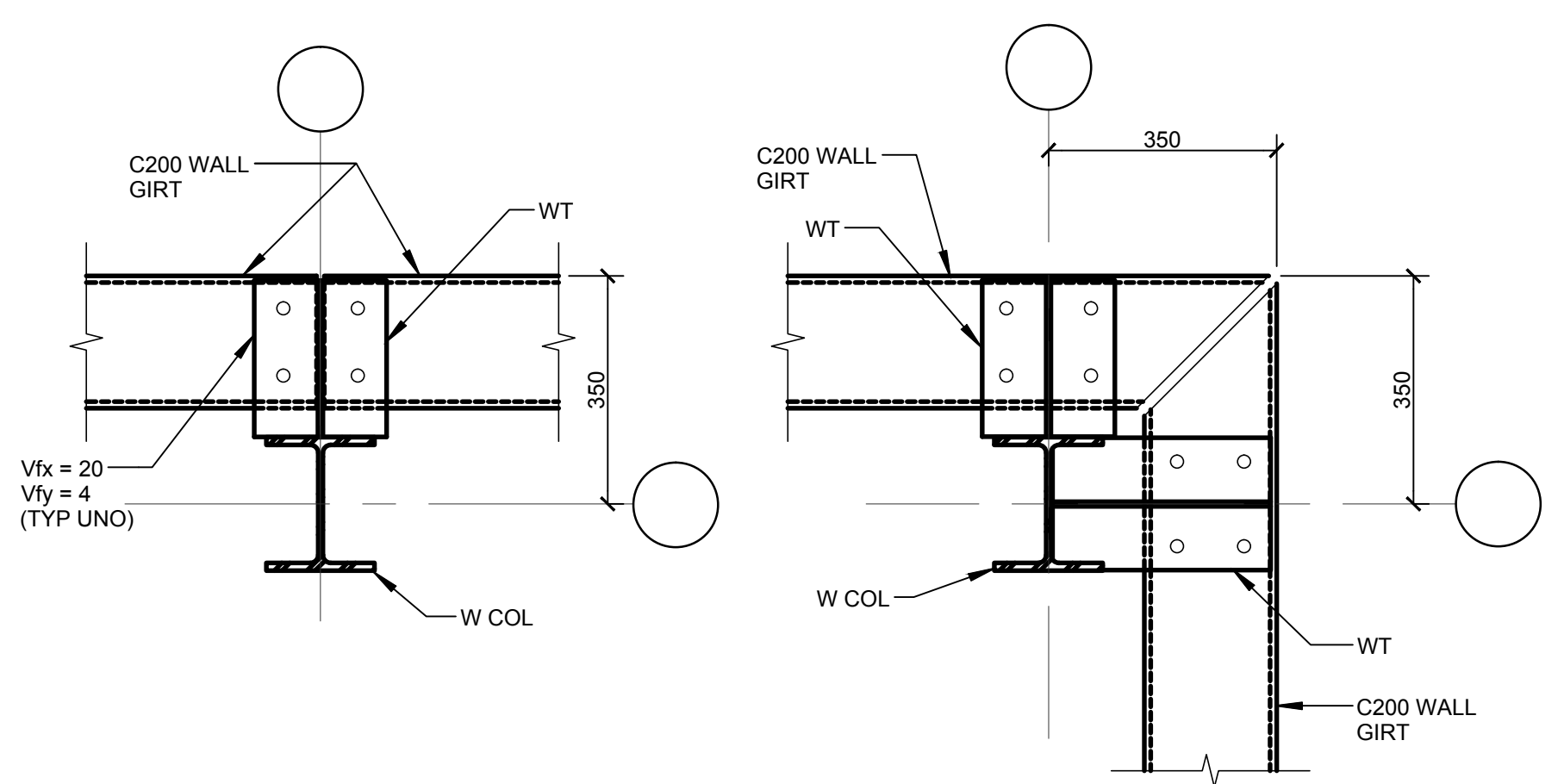
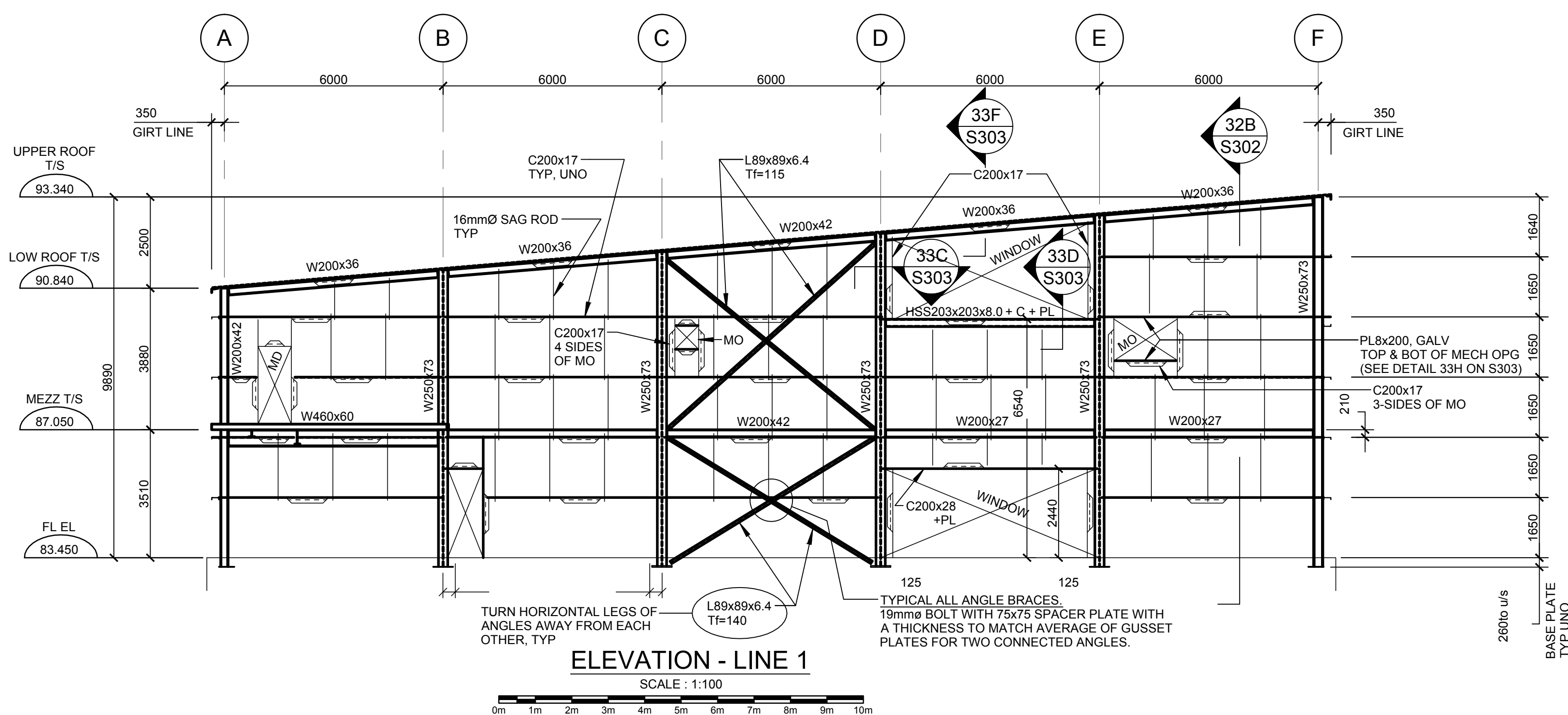
drawing dessin
ELEVATIONS

designed	IJF	conçu
date	2014/04/22	(yyyy/mm/dd)
drawn	PDM	dessiné
date	2014/04/22	(yyyy/mm/dd)
reviewed	IJF	examiné
date	2015/03/11	(yyyy/mm/dd)
approved	IJF	approuvé
date	2015/03/11	(yyyy/mm/dd)
Tender	DUNCAN PARKER	Soumission

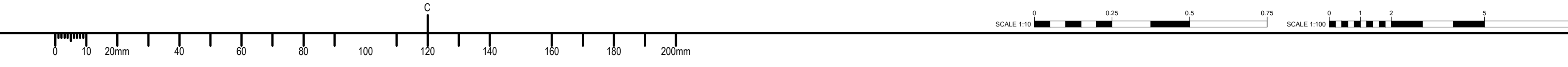
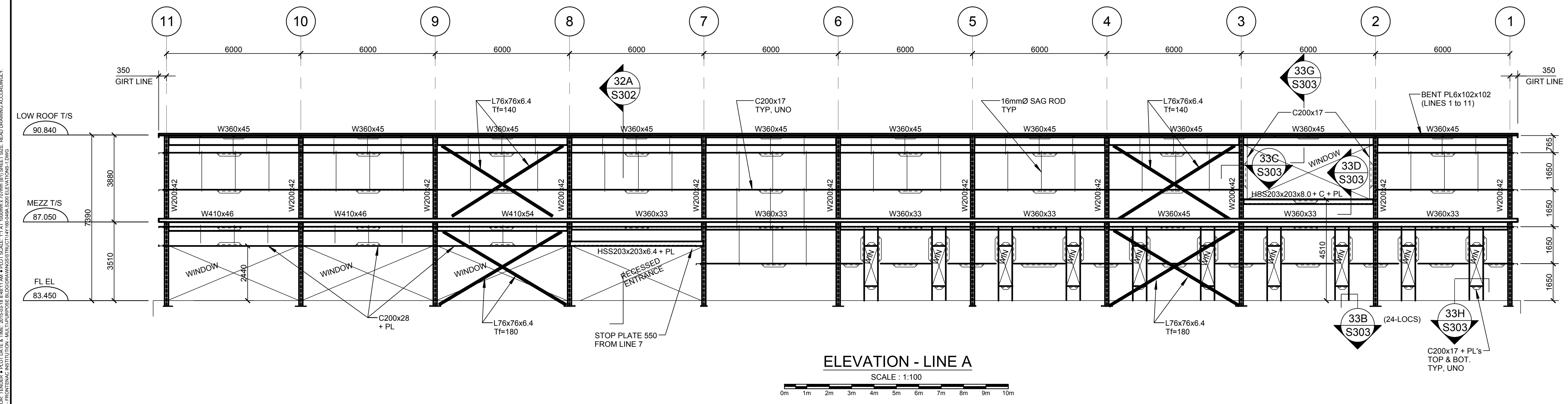
Project Manager Administrateur de projets
project no. no. du projet

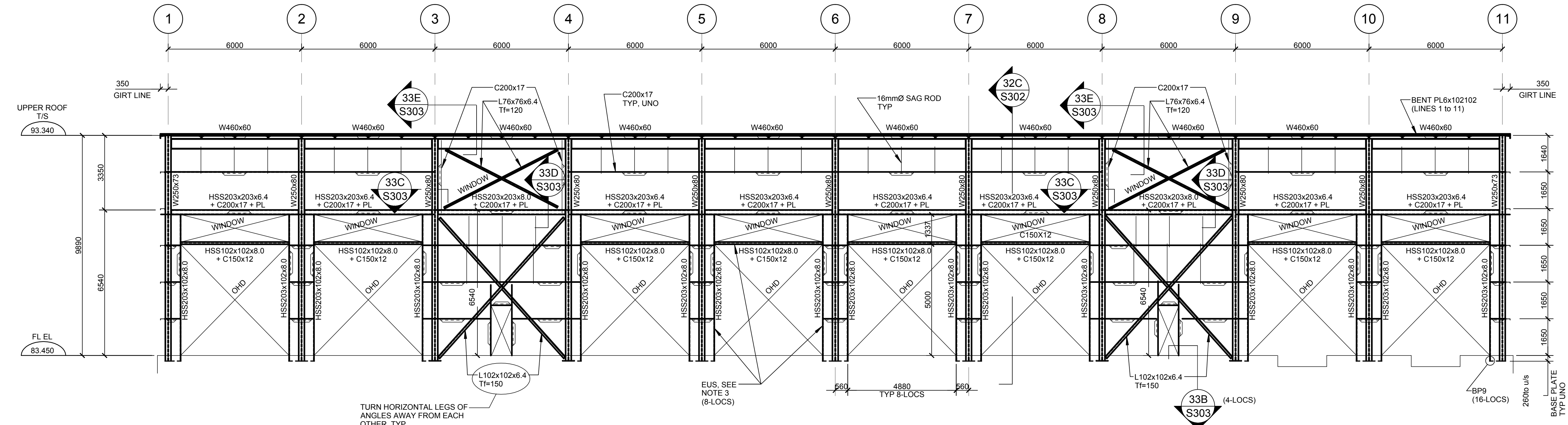
R.055776.001

drawing no. no. du dessin
S200

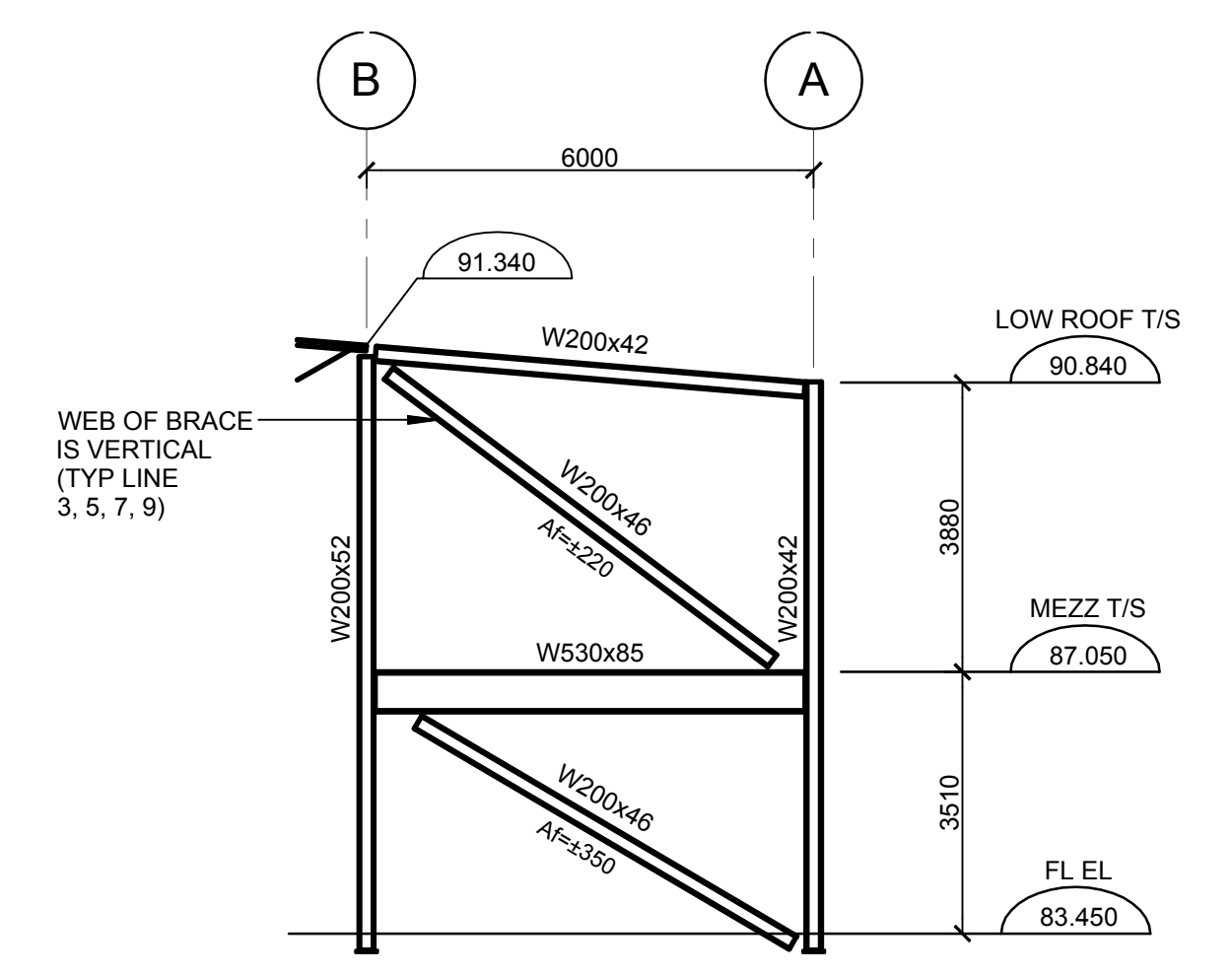


ALL DIMENSIONS ARE IN METERS UNLESS OTHERWISE SPECIFIED. THIS DRAWING IS THE PROPERTY OF WATSON MAC EWEN TERAMURA ARCHITECTS. IT IS TO BE USED ONLY FOR THE PROJECT AND SITE SPECIFICALLY IDENTIFIED. NO PART OF THIS DRAWING IS TO BE REPRODUCED OR TRANSMITTED IN ANY FORM OR BY ANY MEANS, ELECTRONIC OR MECHANICAL, INCLUDING PHOTOCOPYING, RECORDING, OR BY ANY INFORMATION STORAGE AND RETRIEVAL SYSTEM, WITHOUT THE WRITTEN PERMISSION OF WATSON MAC EWEN TERAMURA ARCHITECTS.

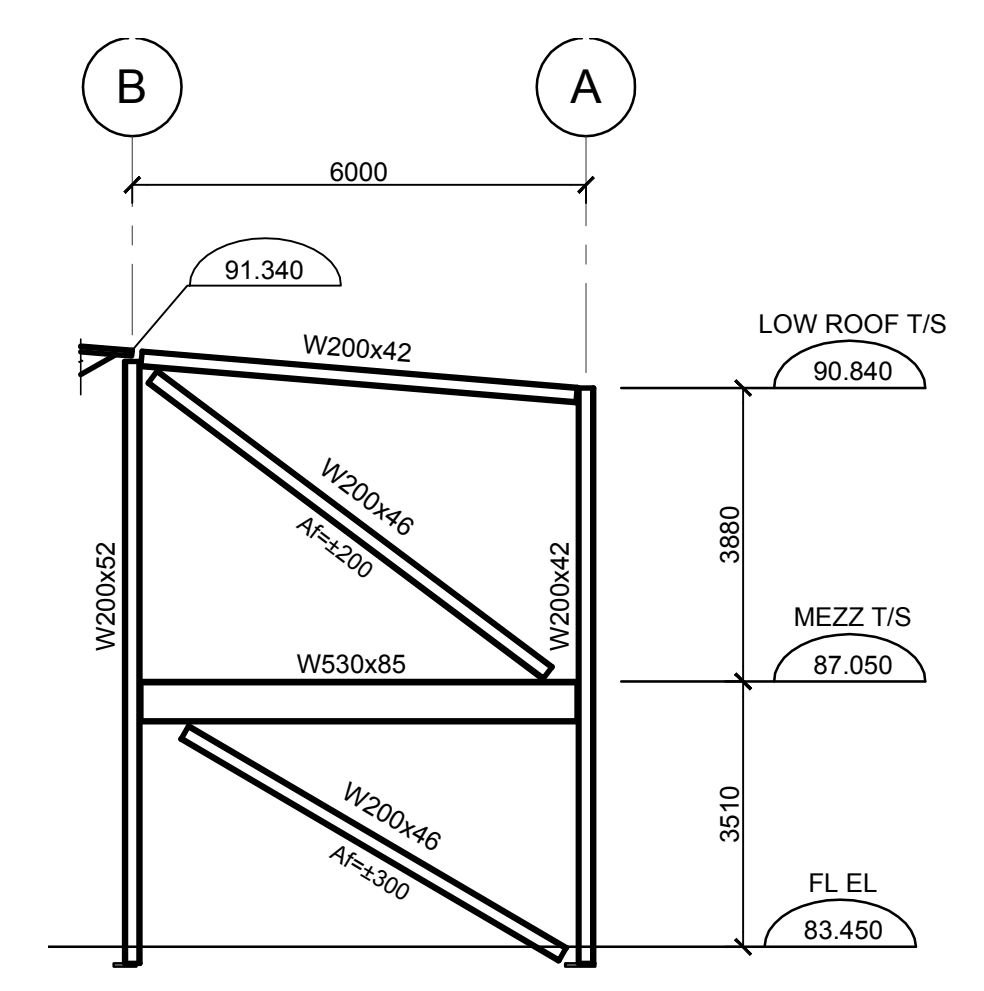




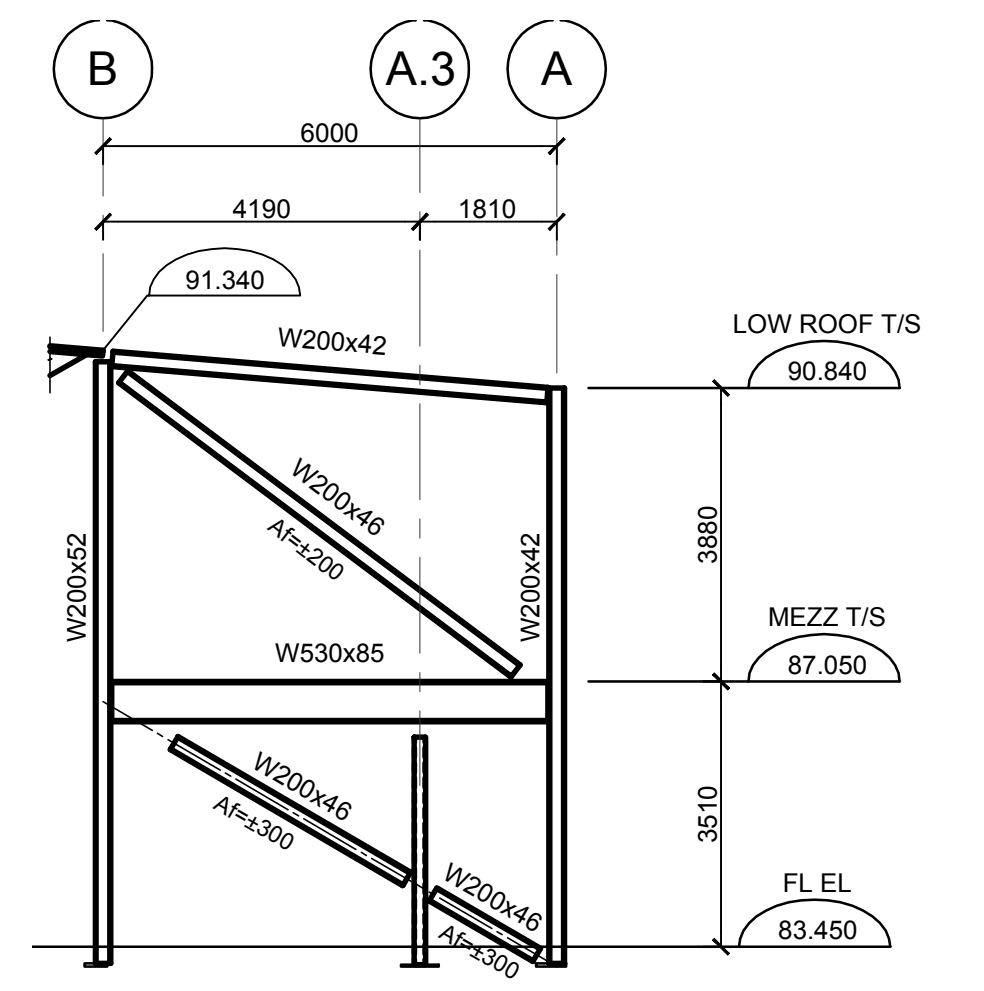
ELEVATION - LINE F
SCALE : 1:100



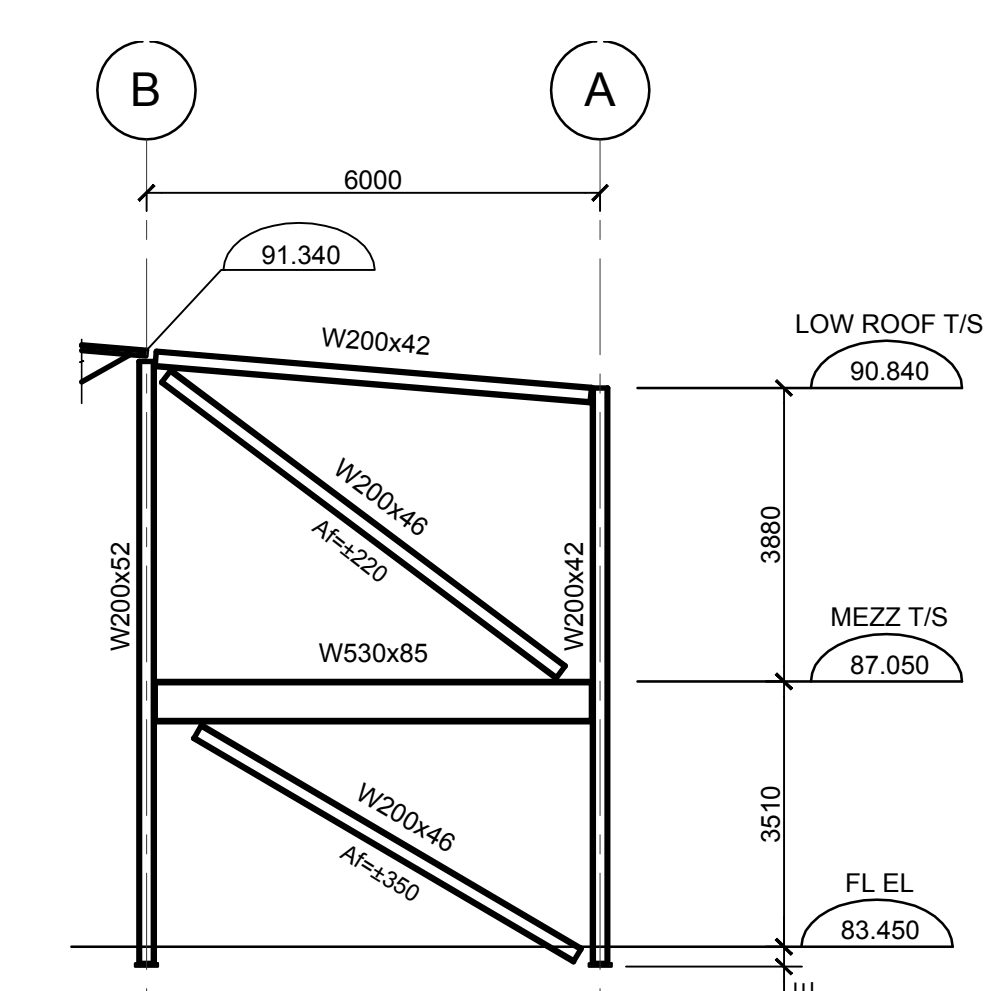
LINE 3
SCALE : 1:100



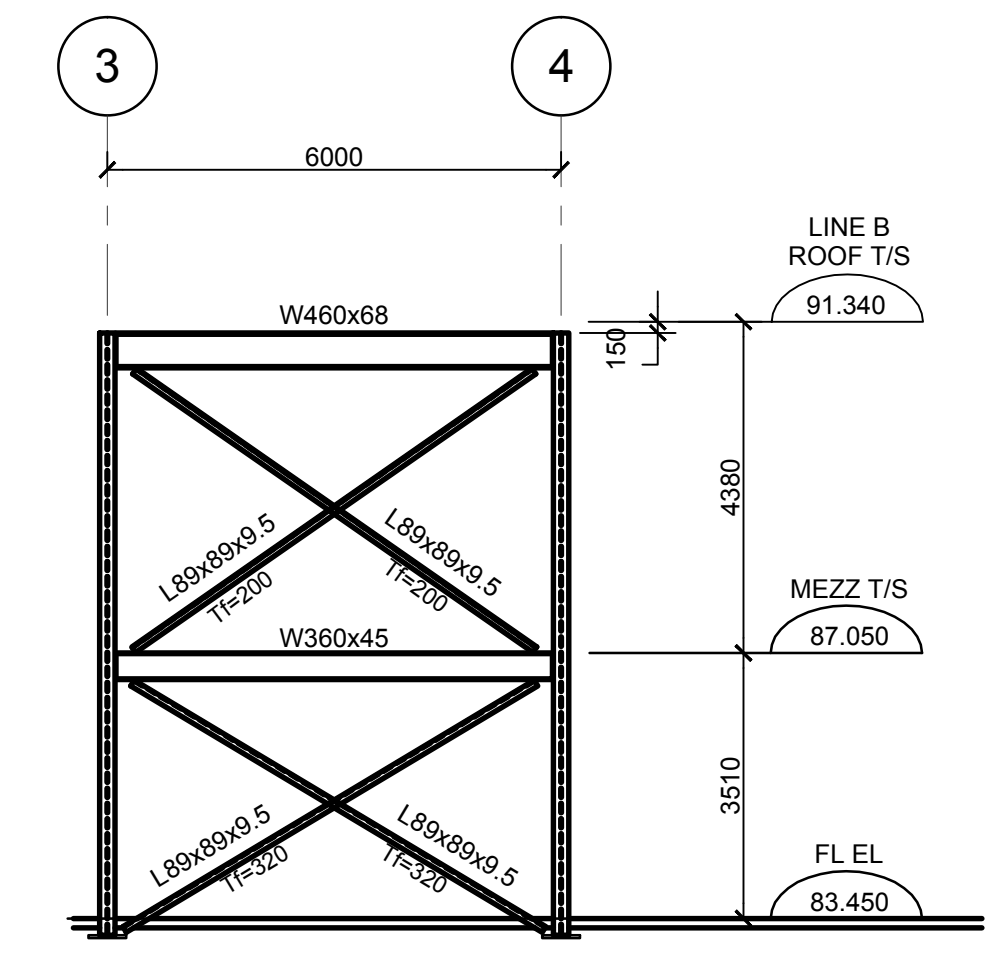
LINE 5
SCALE : 1:100



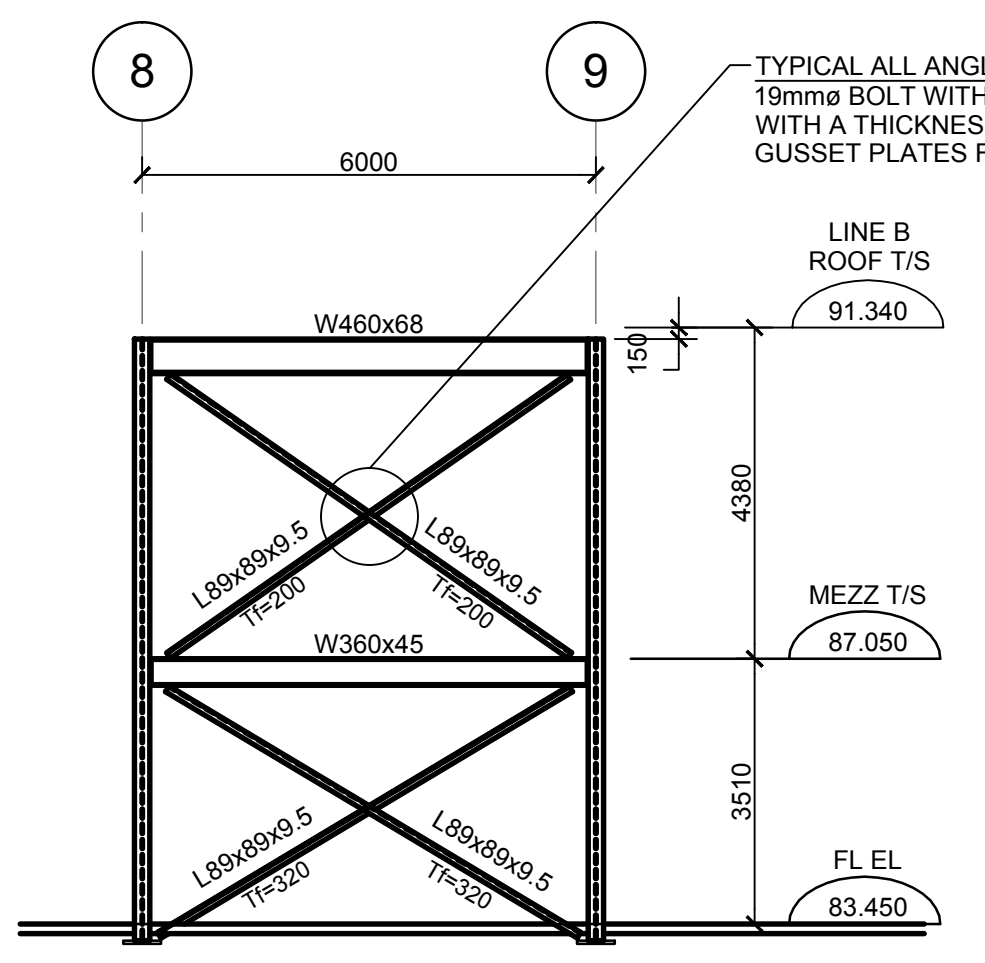
LINE 7
SCALE : 1:100



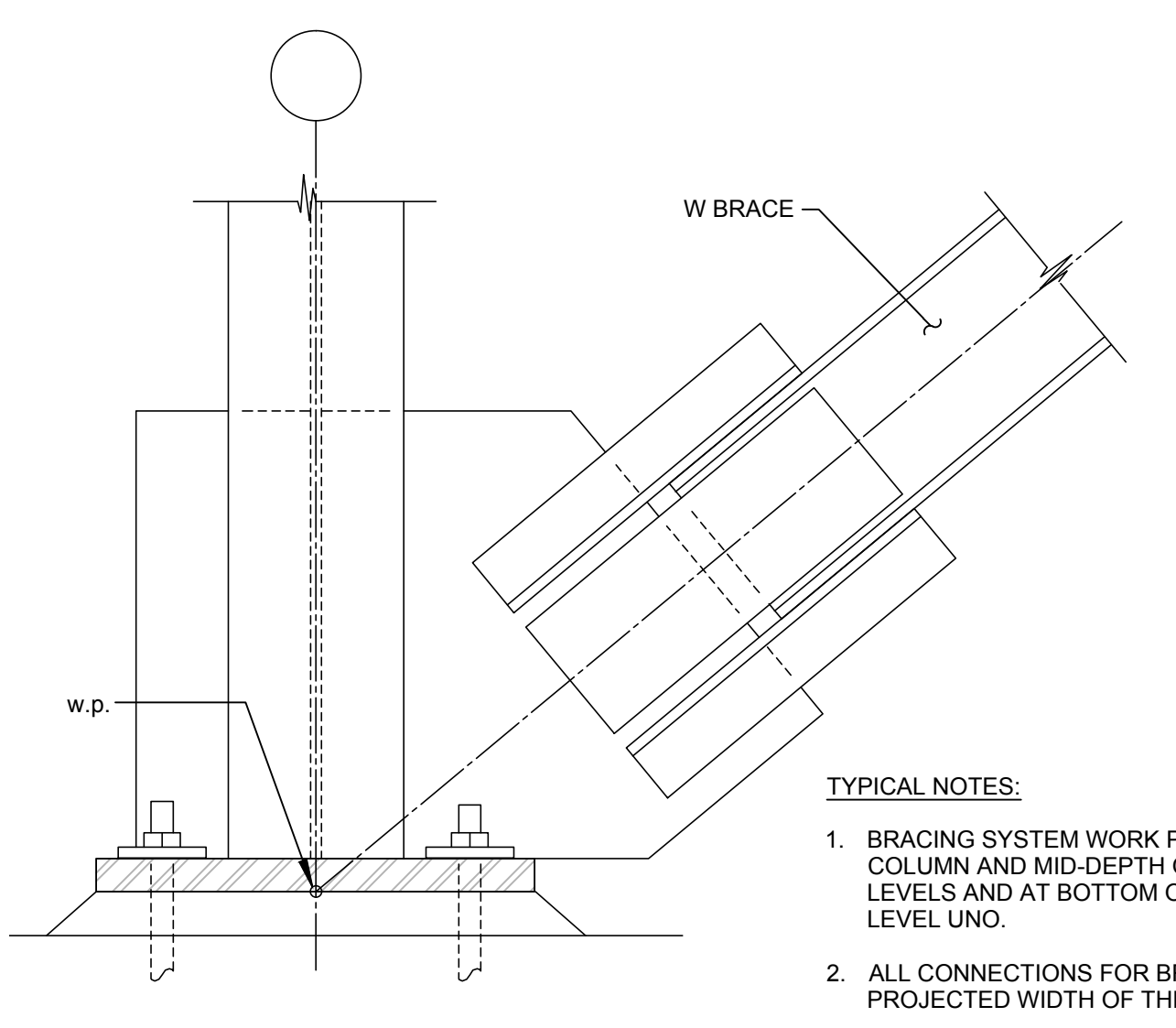
LINE 9
SCALE : 1:100



LINE B
SCALE : 1:100



LINE B
SCALE : 1:100



TYPICAL SECTION AT COLUMNS WITH BRACE
DO NOT SCALE

- TYPICAL NOTES:**
- BRACING SYSTEM WORK POINTS TO BE AT CENTERLINE OF COLUMN AND MID-DEPTH OF BEAM AT ROOF & MEZZANINE LEVELS AND AT BOTTOM OF BASE PLATES AT FOUNDATION LEVEL UNO.
 - ALL CONNECTIONS FOR BRACING SHALL BE WITHIN THE PROJECTED WIDTH OF THE HSS BRACE.
 - LOADS SHOWN ON BRACE MEMBERS ARE FACTORED AXIAL FORCES (TENSION AND COMPRESSION).

revision	description	date
01	ISSUED FOR TENDER	15/03/26

project	CSC MULTI-PURPOSE BUILDING CBI MINIMUM INSTITUTION (FRONTENAC) KINGSTON, ONTARIO
drawing	dessin

designed	IJF	conçu
date	2014/04/22	(yyyy/mm/dd)
drawn	PDM	dessiné
date	2014/04/22	(yyyy/mm/dd)
reviewed	IJF	examiné
date	2015/03/11	(yyyy/mm/dd)
approved	IJF	approuvé
date	2015/03/11	(yyyy/mm/dd)

Tender	DUNCAN PARKER	Submission
Project Manager	Administrateur de projets	
project no.	R.055776.001	no. du projet
drawing no.	S201	no. du dessin

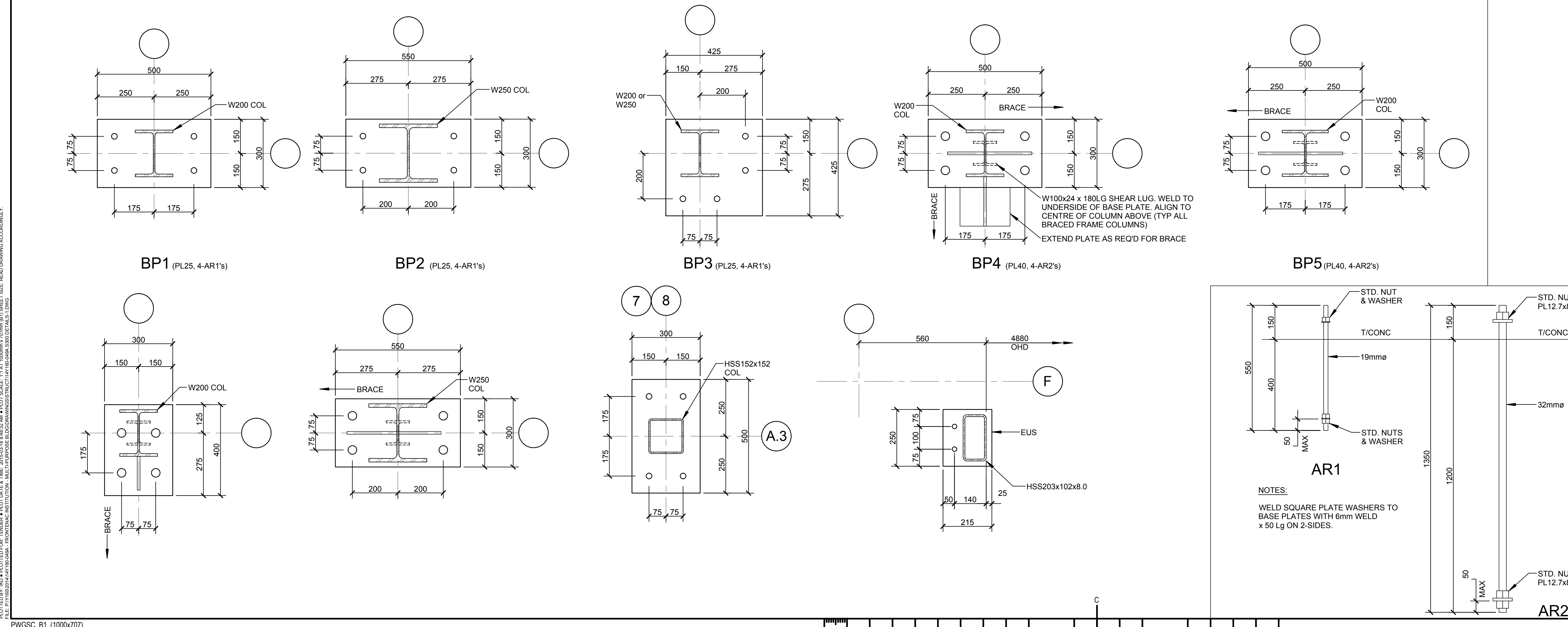
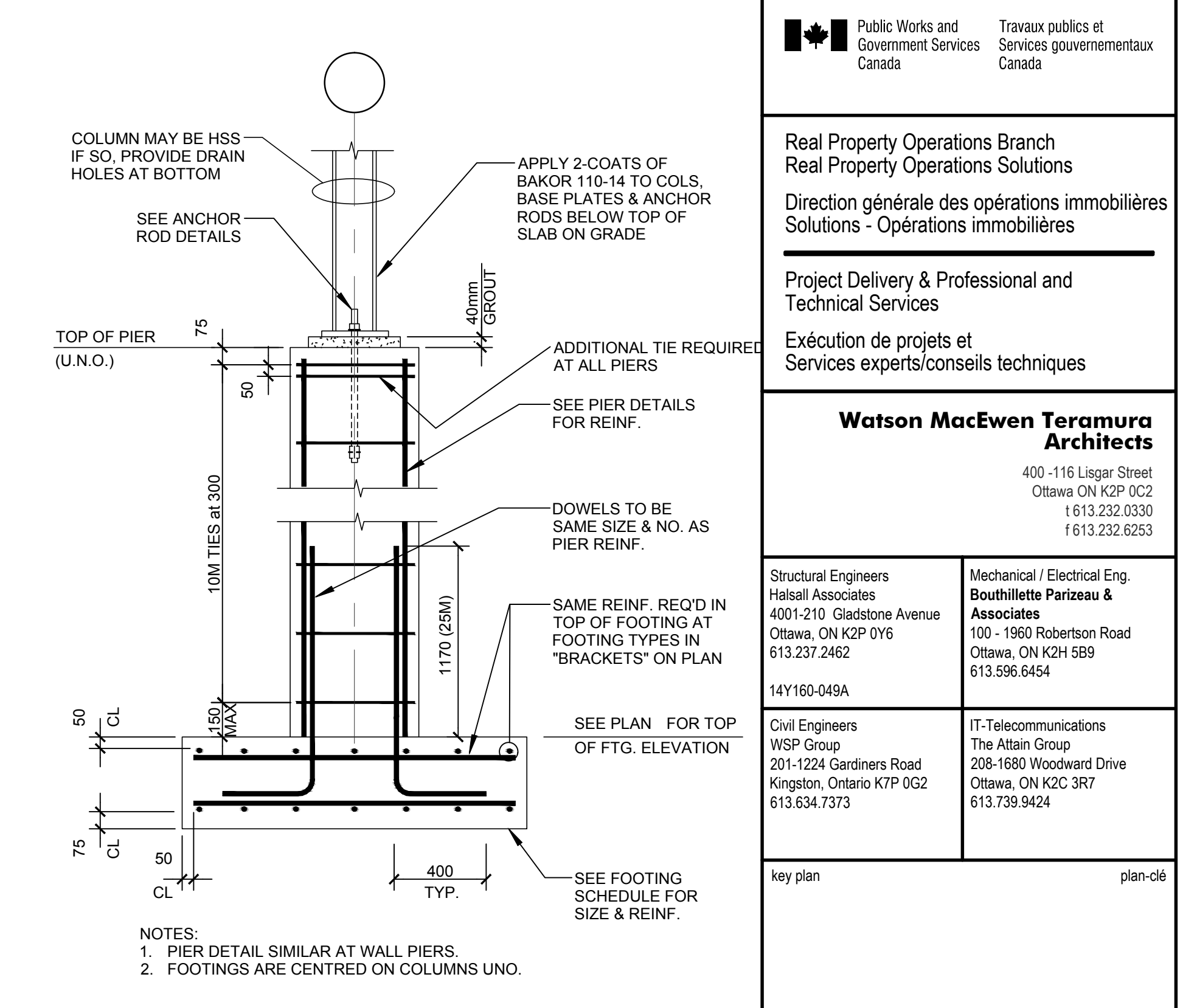
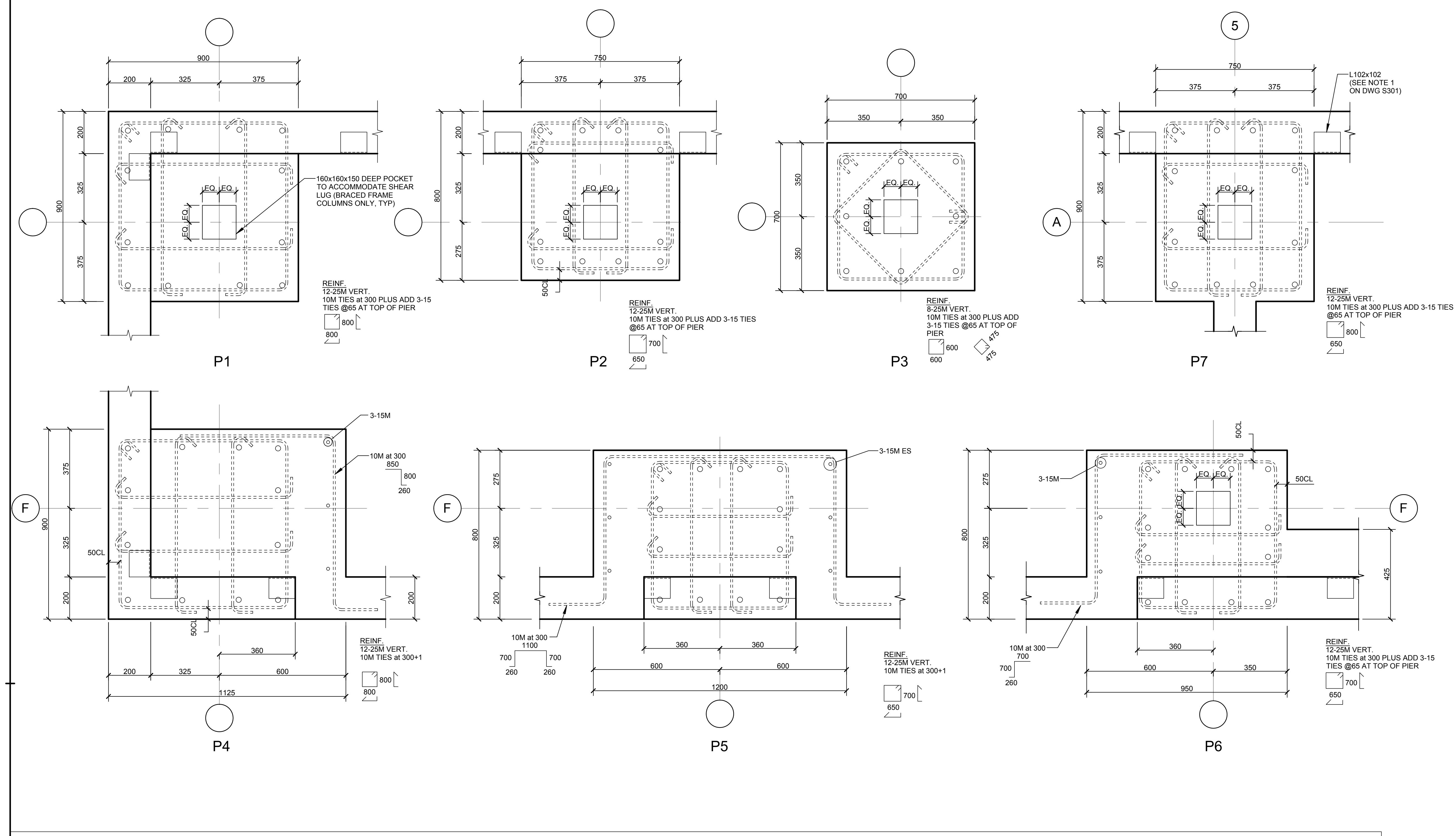
01	ISSUED FOR TENDER	15/03/26
revision	description	date

A	A detail no. du détail
C	C drawing no. dessin no.

project	CSC MULTI-PURPOSE BUILDING CBI MINIMUM INSTITUTION (FRONTENAC) KINGSTON, ONTARIO
drawing	dessin

designed	LJF	conçu
drawn	PDM	dessiné
date	2014/04/22	date
reviewed	LJF	examiné
date	2015/03/11	date
approved	LJF	approuvé
date	2015/03/11	date
Tender	DUNCAN PARKER	Submission
Project Manager	Administrateur de projets	no. du projet
		R.055776.001
drawing no.	no. du dessin	S300

PIER AND BASE PLATE DETAILS





01	ISSUED FOR TENDER	15/03/26
revision	description	date

A	A detail no. / no. du détail	A
C	B location drawing no. / sur dessin no.	B
	C drawing no. / dessin no.	C

project / projet
**CSC MULTI-PURPOSE BUILDING
CBI MINIMUM INSTITUTION (FRONTENAC)**
KINGSTON, ONTARIO

drawing / dessin

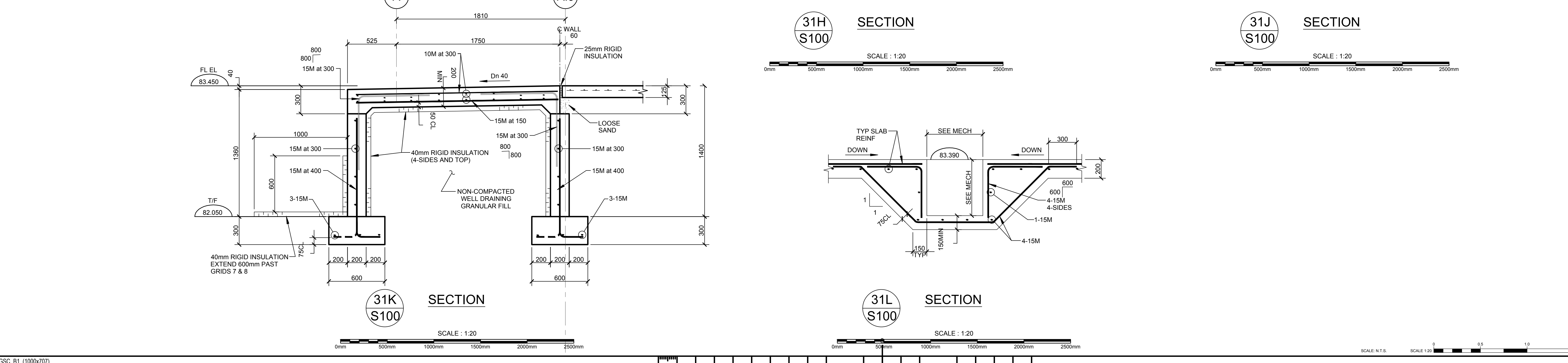
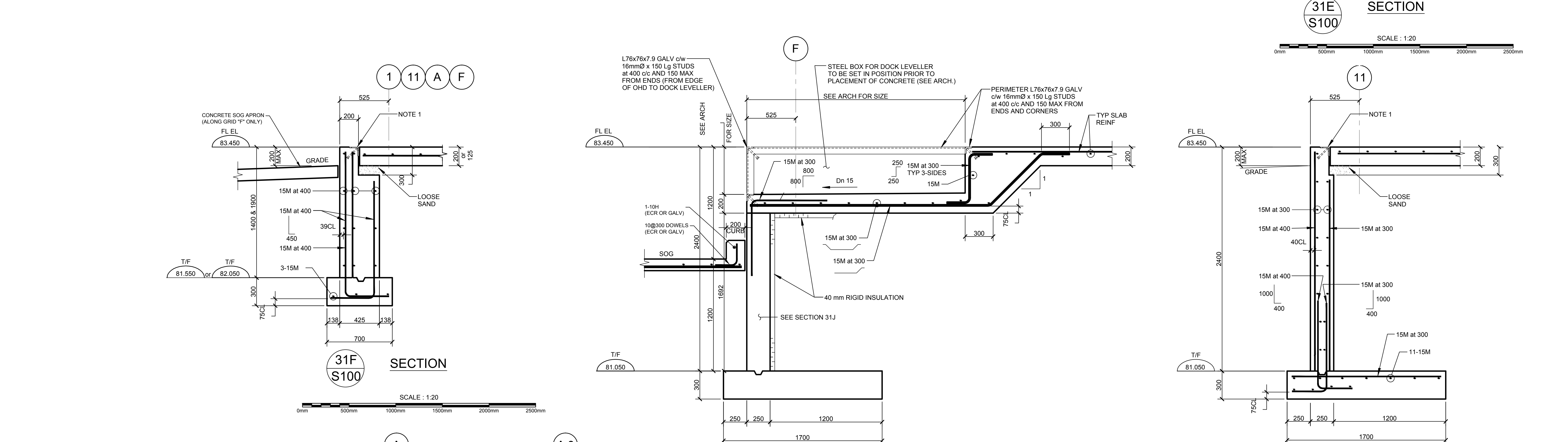
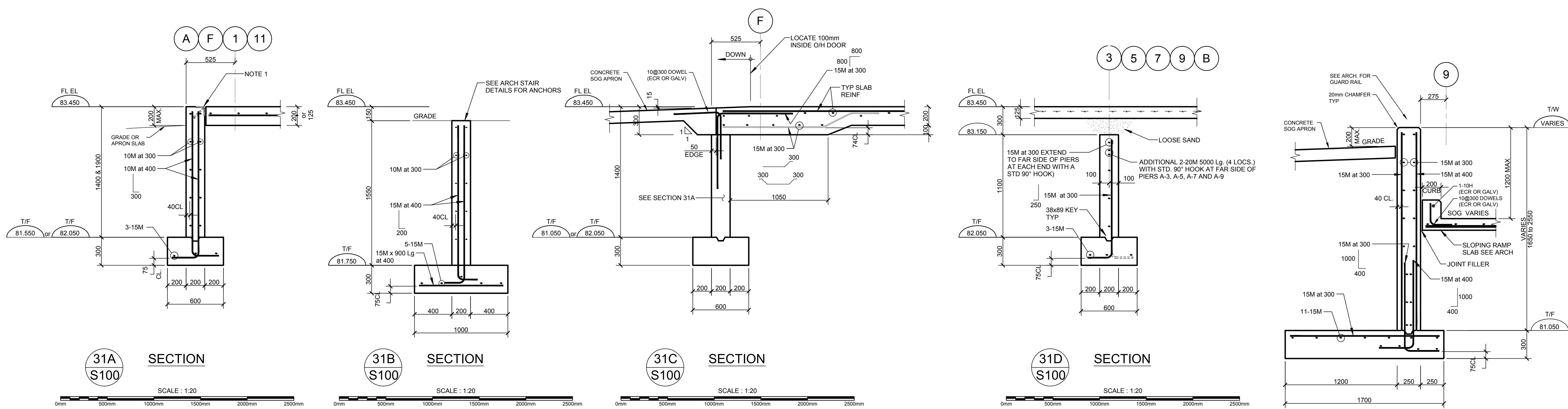
SECTIONS

designed	IJF	conçu
date	2014/04/22	(yyyy/mm/dd)
drawn	PDM	dessiné
date	2014/04/22	(yyyy/mm/dd)
reviewed	IJF	examiné
date	2015/03/11	(yyyy/mm/dd)
approved	IJF	approuvé
date	2015/03/11	(yyyy/mm/dd)
Tender	DUNCAN PARKER	Soumission

Project Manager / Administrateur de projets
project no. / no. du projet

R.055776.001

drawing no. / no. du dessin
S301



ALL DETAILS ARE PLOTTED FOR TENDER. PLOT DATE: 11-MAR-2015 08:48:41 AM. PLOT SCALE: 1:1 AT 200mm x 297mm (B1) SHEET SIZE. READ DRAWING ACCORDINGLY.
 ALL DIMENSIONS ARE IN MILLIMETERS UNLESS OTHERWISE SPECIFIED. DIMENSIONS IN METERS ARE GIVEN IN PARENTHESES. DIMENSIONS IN FEET AND INCHES ARE GIVEN IN PARENTHESES. DIMENSIONS IN METERS ARE GIVEN IN PARENTHESES. DIMENSIONS IN FEET AND INCHES ARE GIVEN IN PARENTHESES. DIMENSIONS IN METERS ARE GIVEN IN PARENTHESES. DIMENSIONS IN FEET AND INCHES ARE GIVEN IN PARENTHESES.



01	ISSUED FOR TENDER	15/03/26
----	-------------------	----------

A	A detail no. / no. du détail	A
C	B location drawing no. / sur dessin no.	B
	C drawing no. / dessin no.	C

project projet
**CSC MULTI-PURPOSE BUILDING
CBI MINIMUM INSTITUTION (FRONTENAC)**
KINGSTON, ONTARIO

drawing dessin

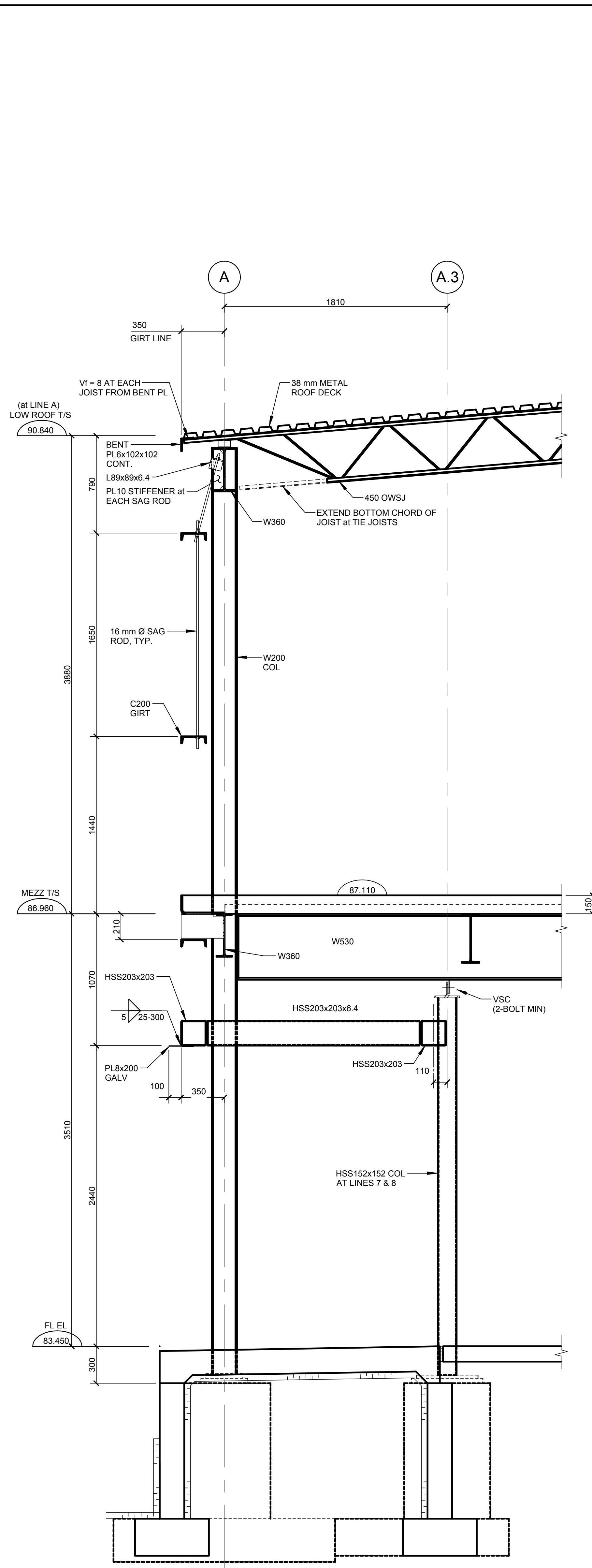
WALL SECTIONS

designed	IJF	conçu
date	2014/04/22	(yyyy/mm/dd)
drawn	PDM	dessiné
date	2014/04/22	(yyyy/mm/dd)
reviewed	IJF	examiné
date	2015/03/11	(yyyy/mm/dd)
approved	IJF	approuvé
date	2015/03/11	(yyyy/mm/dd)
Tender	DUNCAN PARKER	Soumission

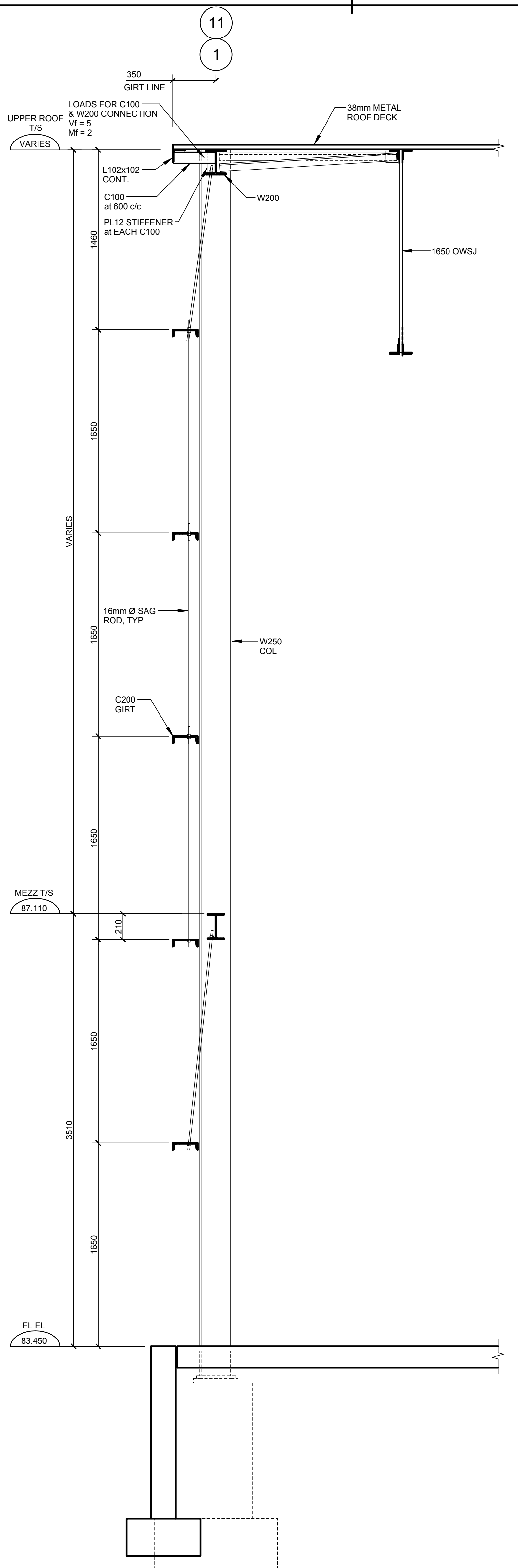
Project Manager Administrateur de projets

R.055776.001

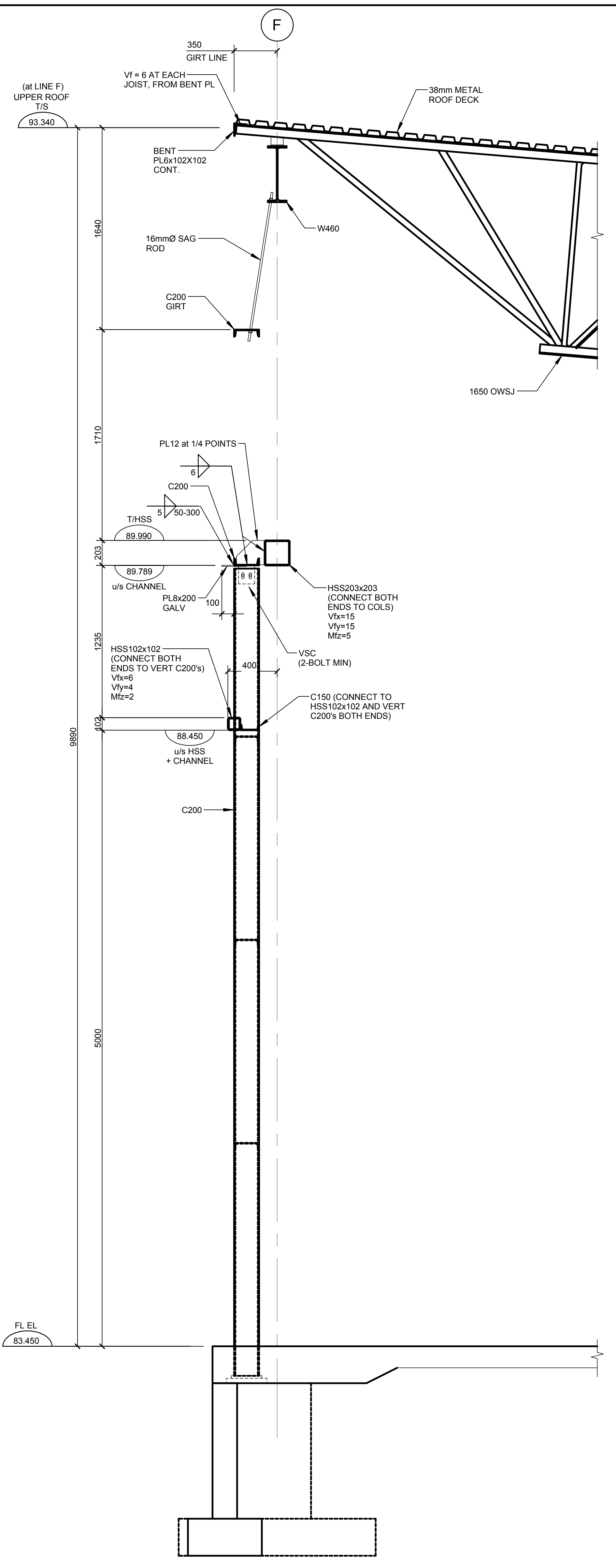
drawing no. no. du dessin
S302



32A
S102
SECTION
SCALE: 1:20



32B
S102
SECTION
SCALE: 1:20



32C
S102
SECTION
SCALE: 1:20

ALLOTTEUR: INC. • PLOTTÉ PAR: TONER • PLOT DATE: 1 MAR 2015 10:58:48 AM • PLOT SCALE: 1:1 AT 300mm x 90mm (B1) SHEET SIZE: READ DRAWING ACCORDINGLY.
DRAWING: 14Y160-049A - CBI MINIMUM INSTITUTION - MULTI-PURPOSE BUILDING - WALL SECTIONS (S102)

key plan plan-cle

stamp sceau



01	ISSUED FOR TENDER	15/03/26
----	-------------------	----------

revision	description	date
A	A detail no. du detail	
B	B location drawing no. sur dessin no.	
C	C drawing no. dessin no.	

project projet
**CSC MULTI-PURPOSE BUILDING
CBI MINIMUM INSTITUTION (FRONTENAC)**
KINGSTON, ONTARIO

drawing dessin

PLAN DETAILS & SECTIONS

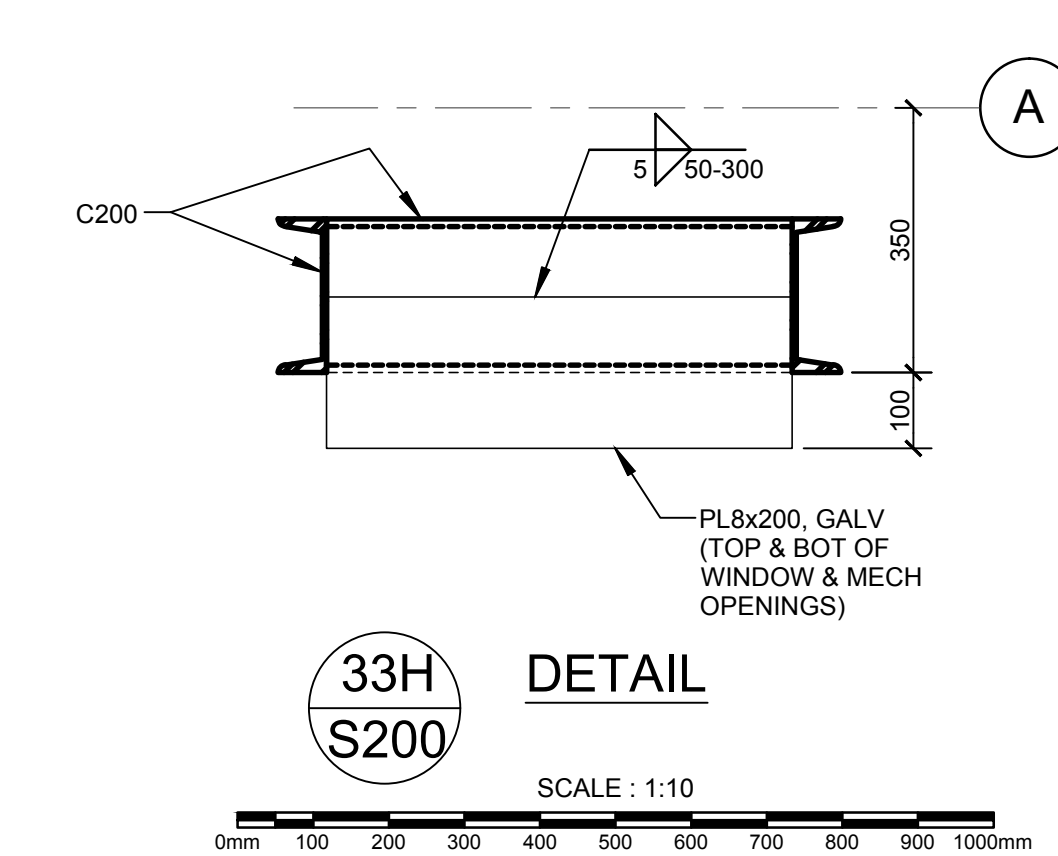
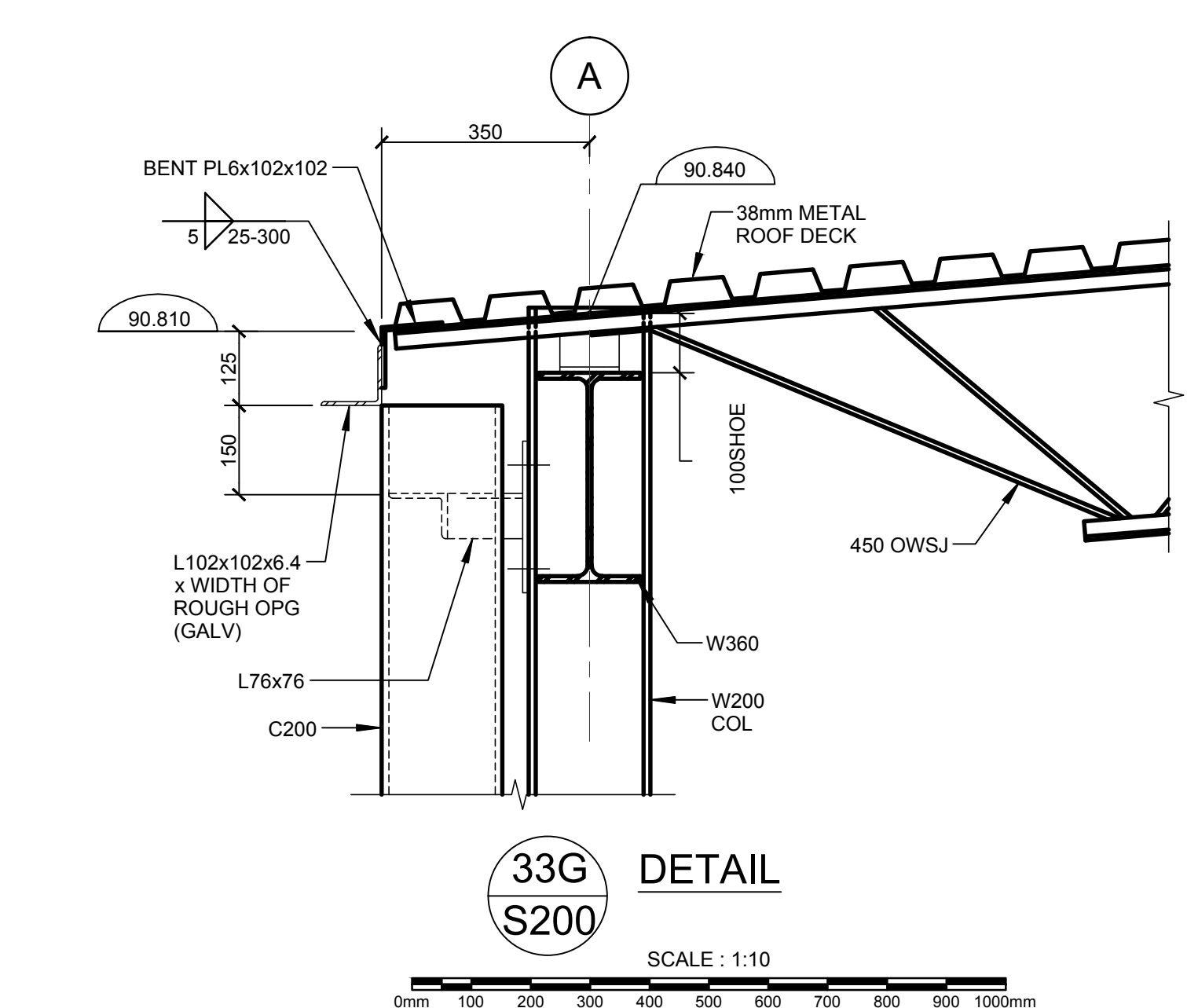
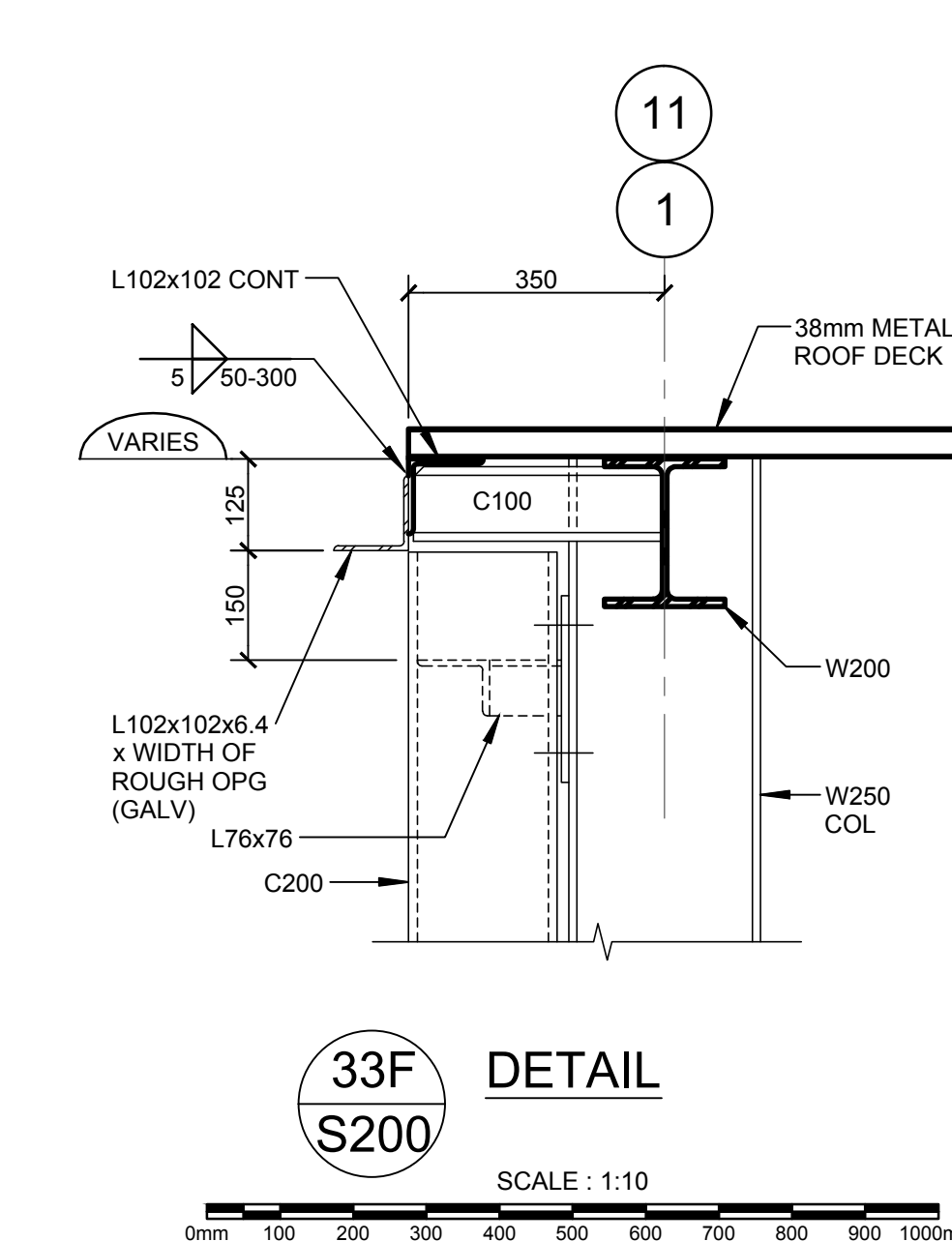
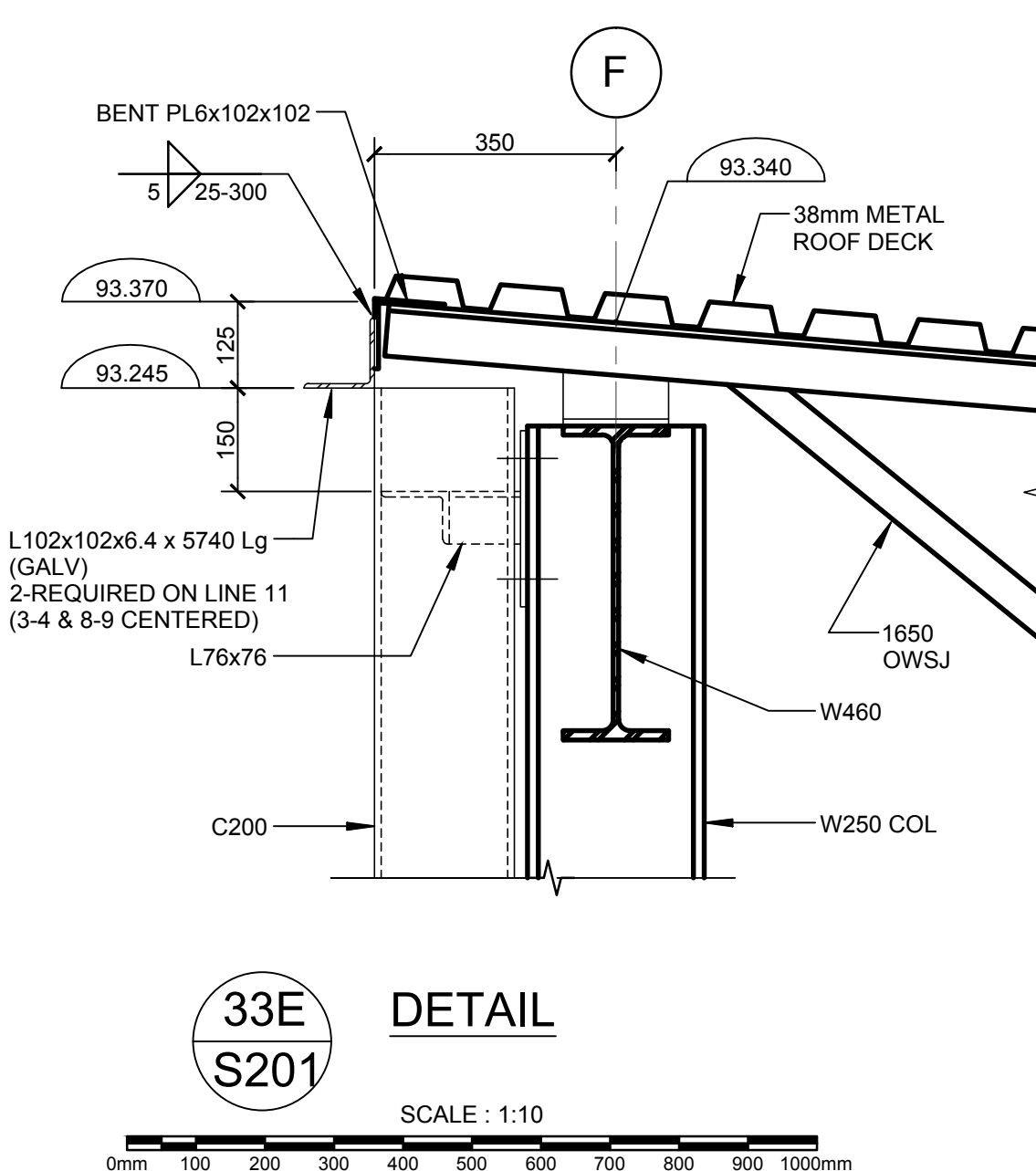
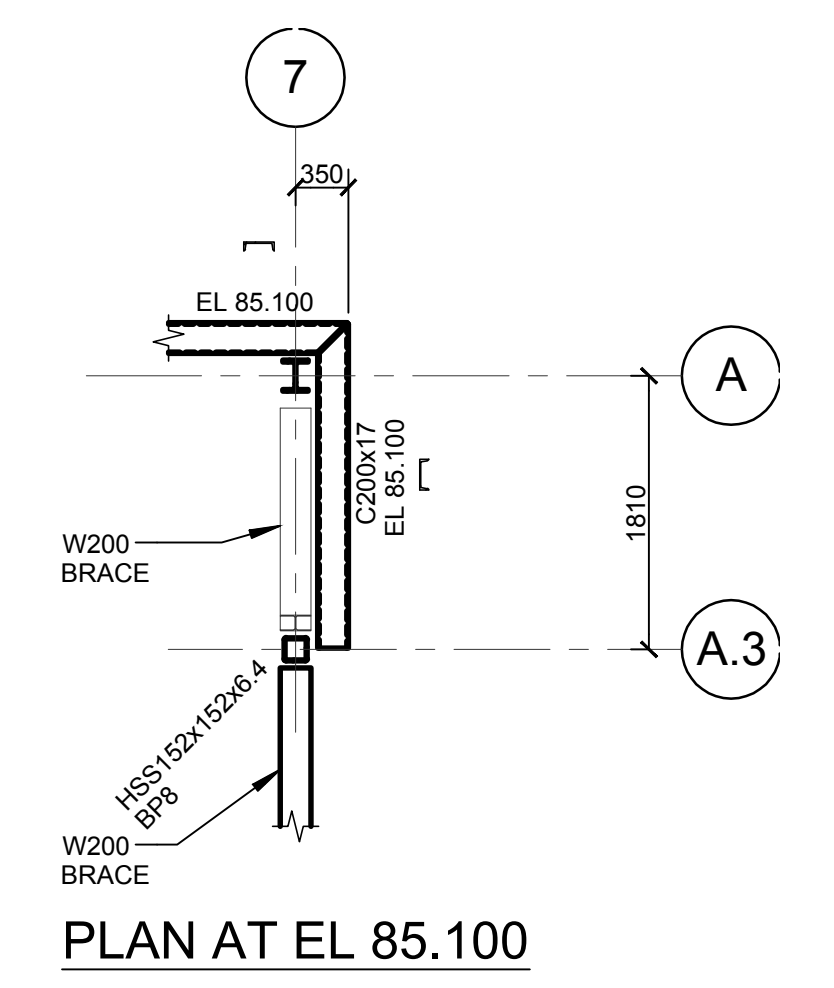
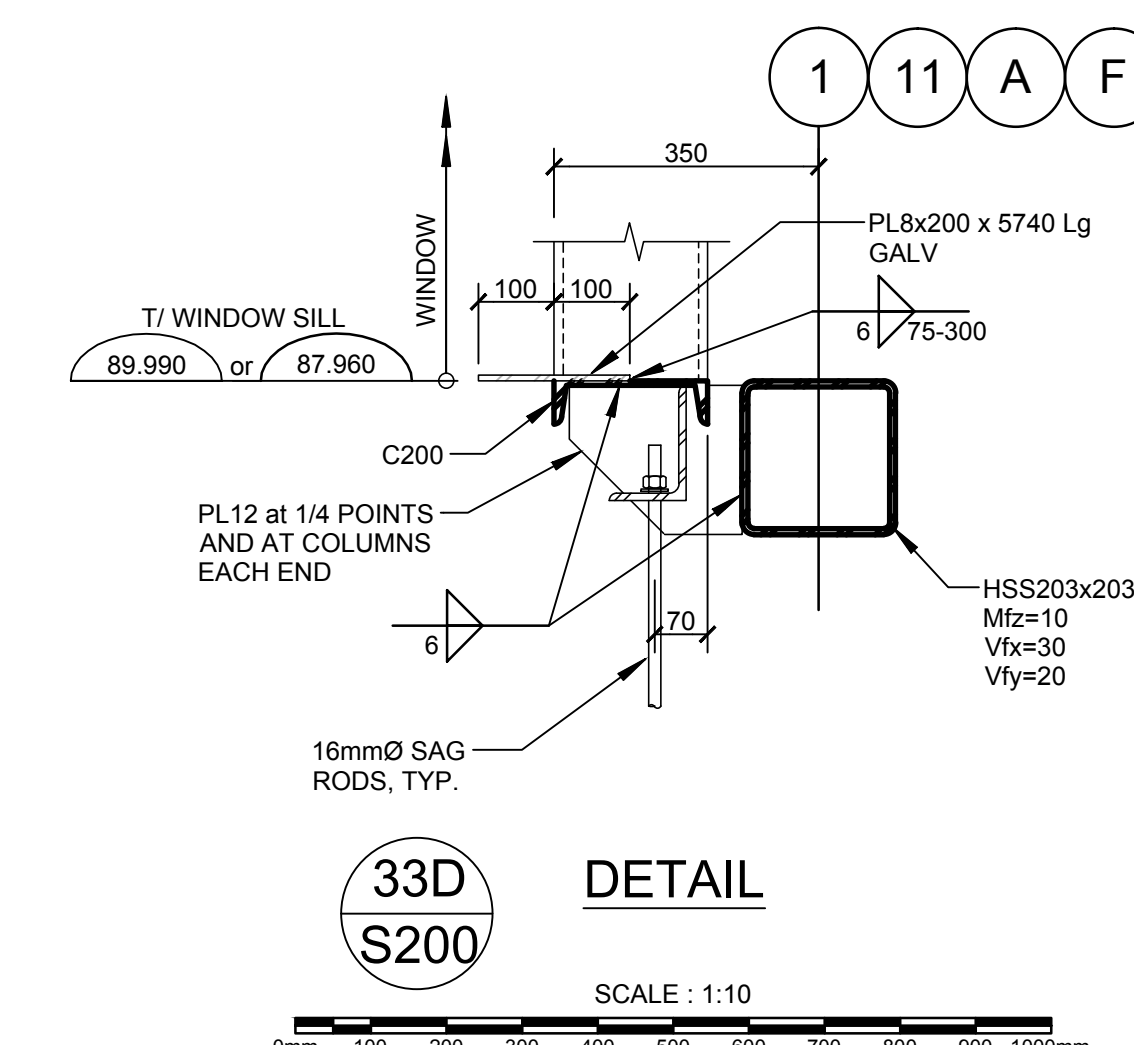
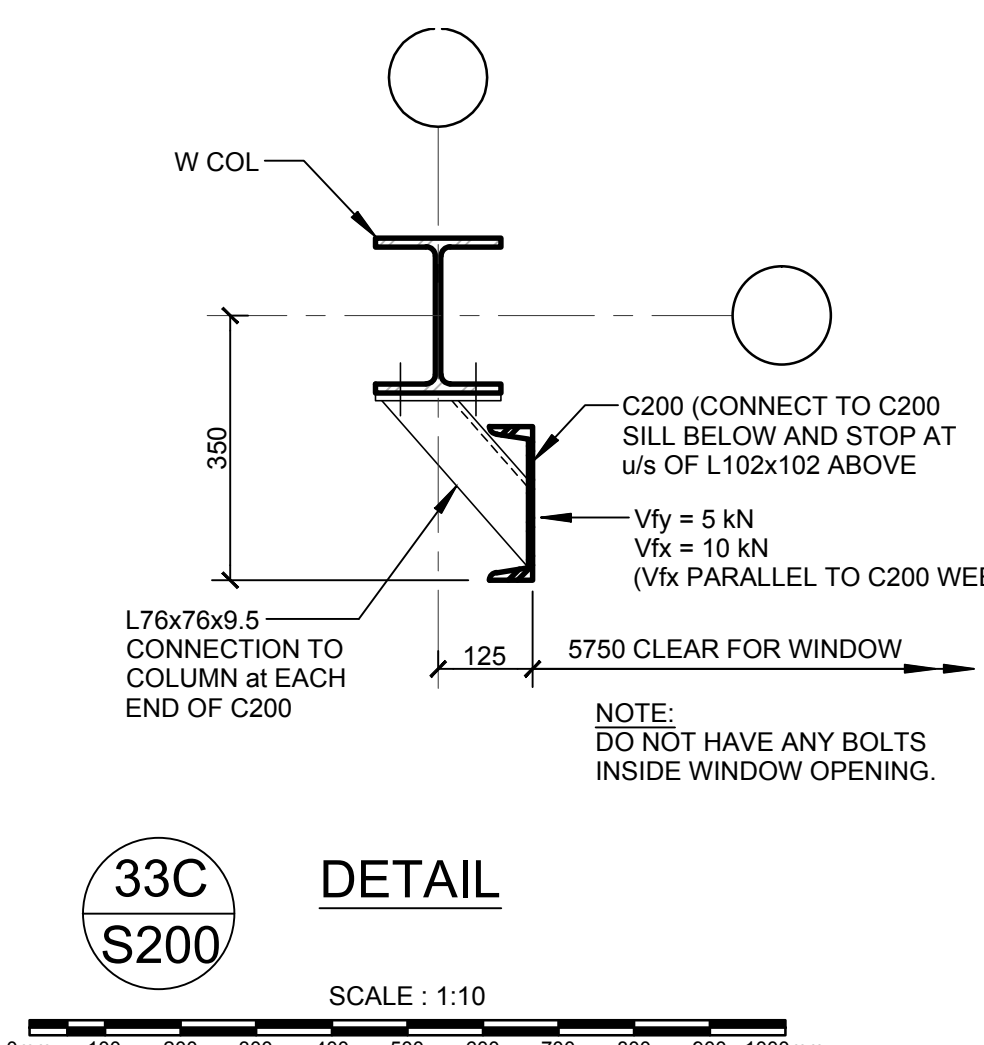
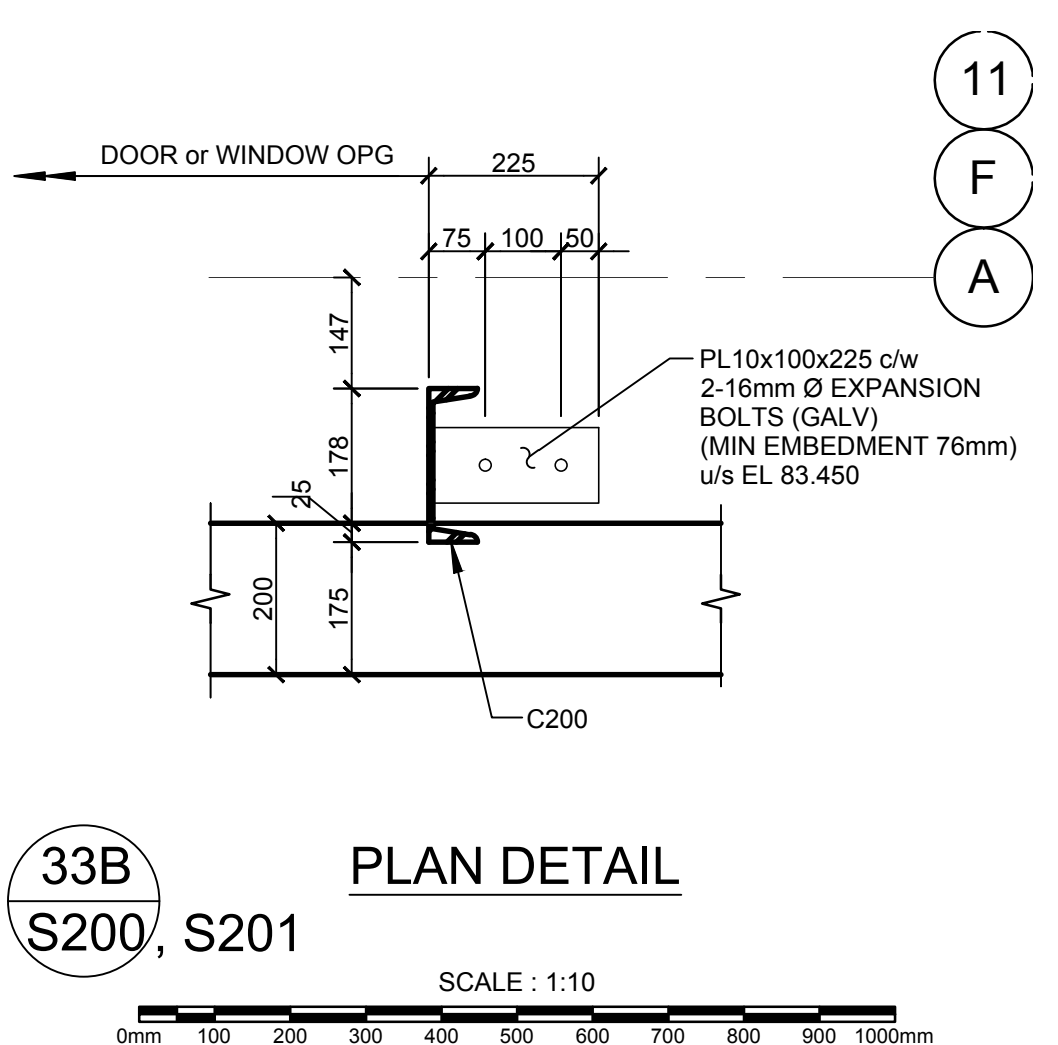
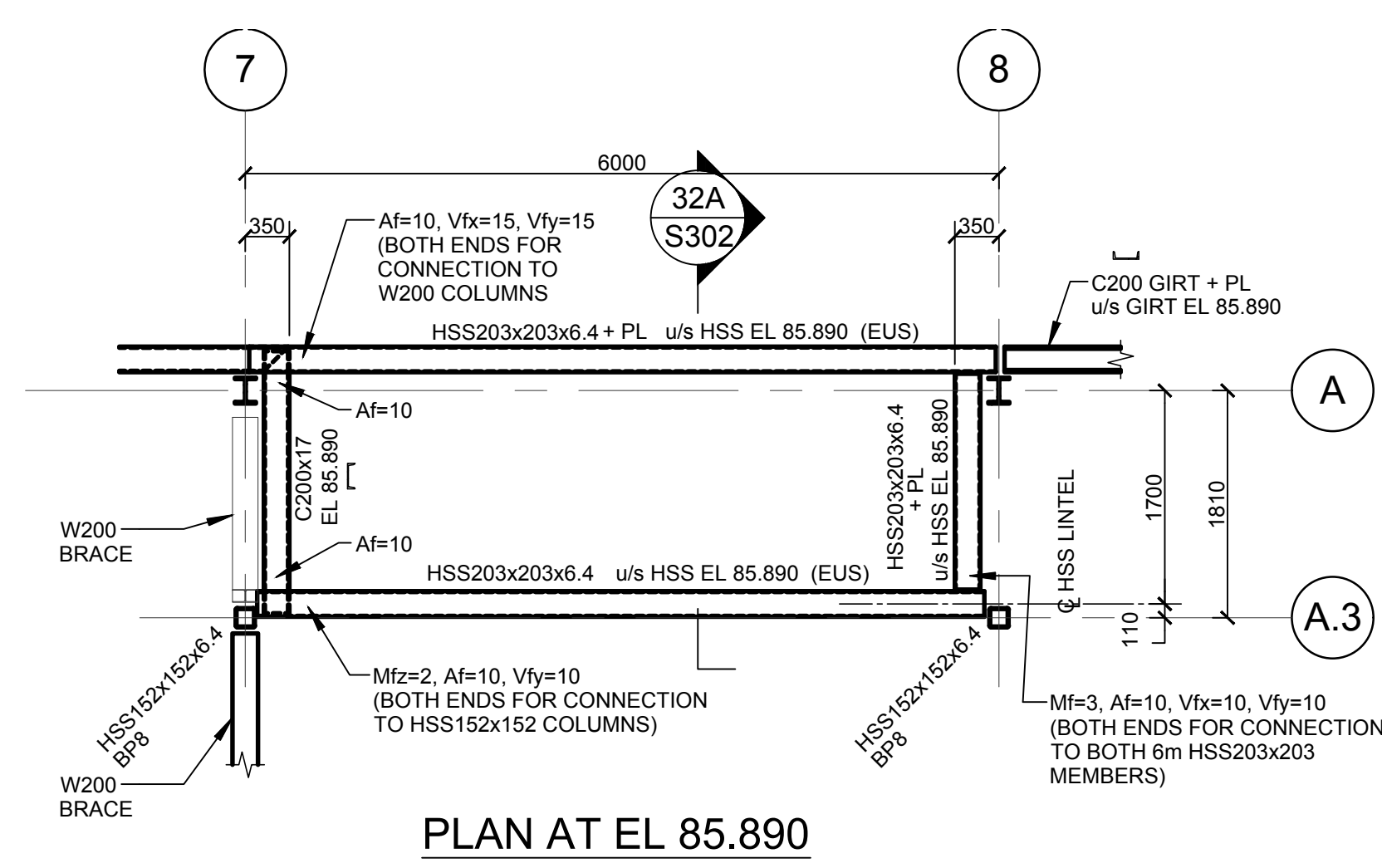
designed	IJF	conçu
date	2014/04/22	(yyyy/mm/dd)
drawn	PDM	dessiné
date	2014/04/22	(yyyy/mm/dd)
reviewed	IJF	examiné
date	2015/03/11	(yyyy/mm/dd)
approved	IJF	approuvé
date	2015/03/11	(yyyy/mm/dd)
Tender	DUNCAN PARKER	Soumission

Project Manager Administrateur de projets
project no. no. du projet

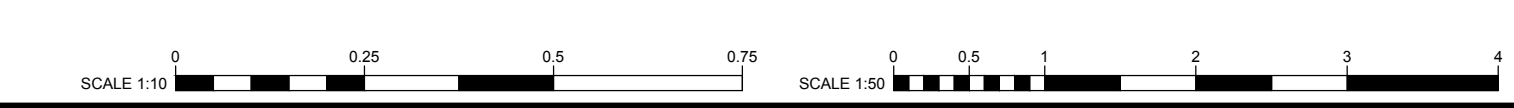
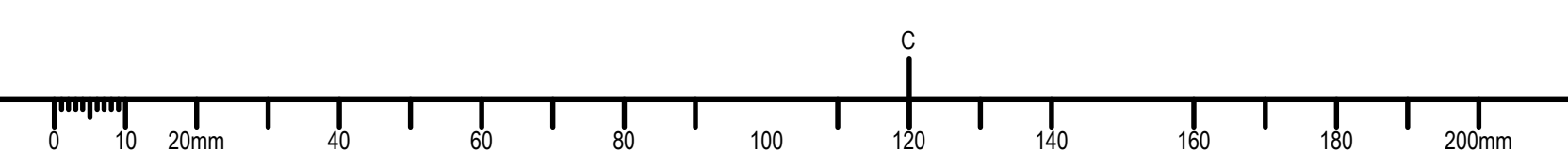
R.055776.001

drawing no. no. du dessin

S303



P:\055776_001\CADD\055776_001\055776_001_S303.dwg (1:10) 2014/04/22 10:00 AM IJF



01	ISSUED FOR TENDER	15/03/26
revision	description	date

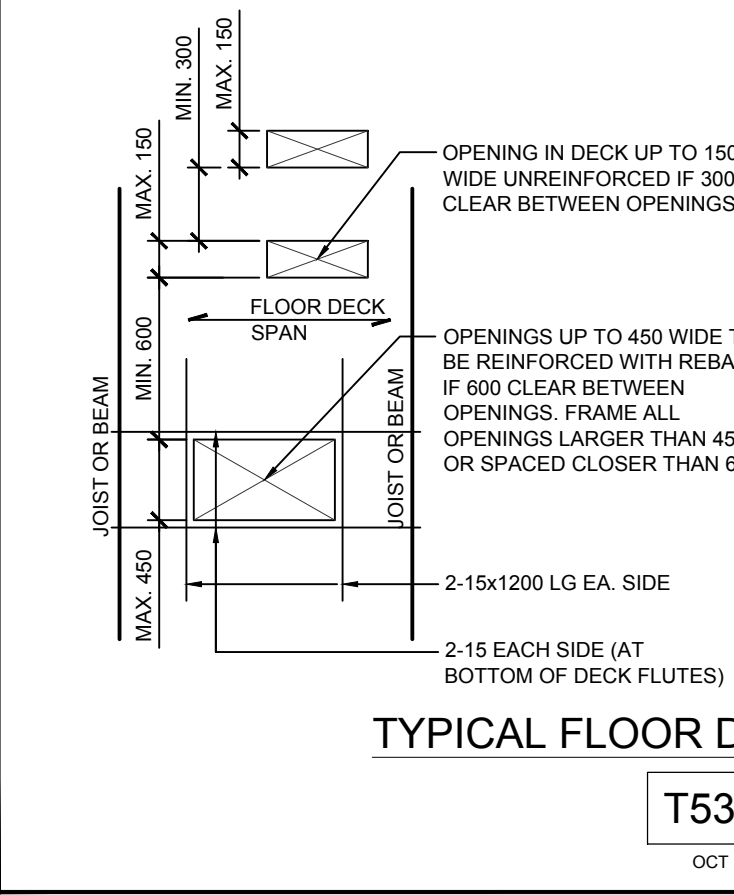
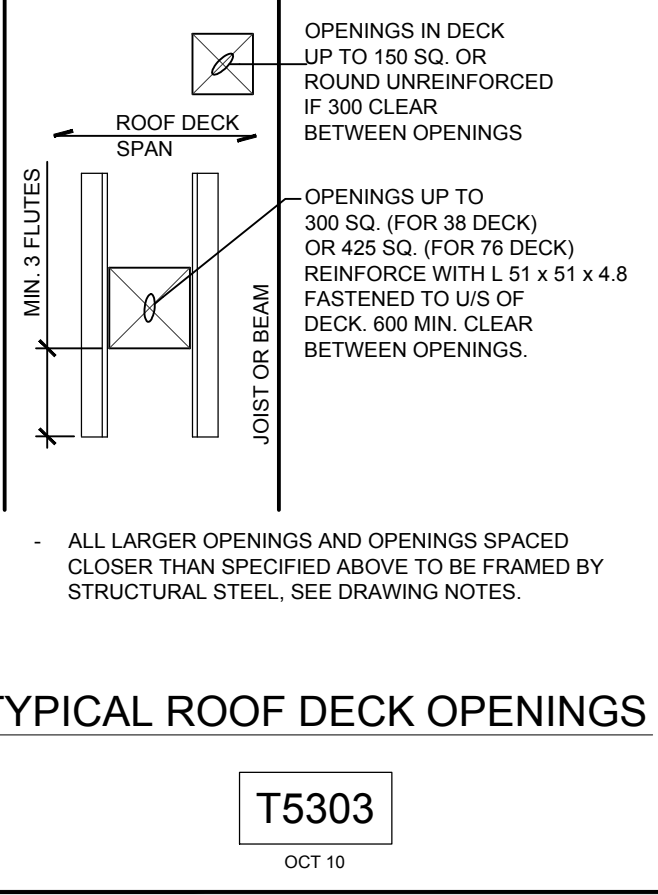
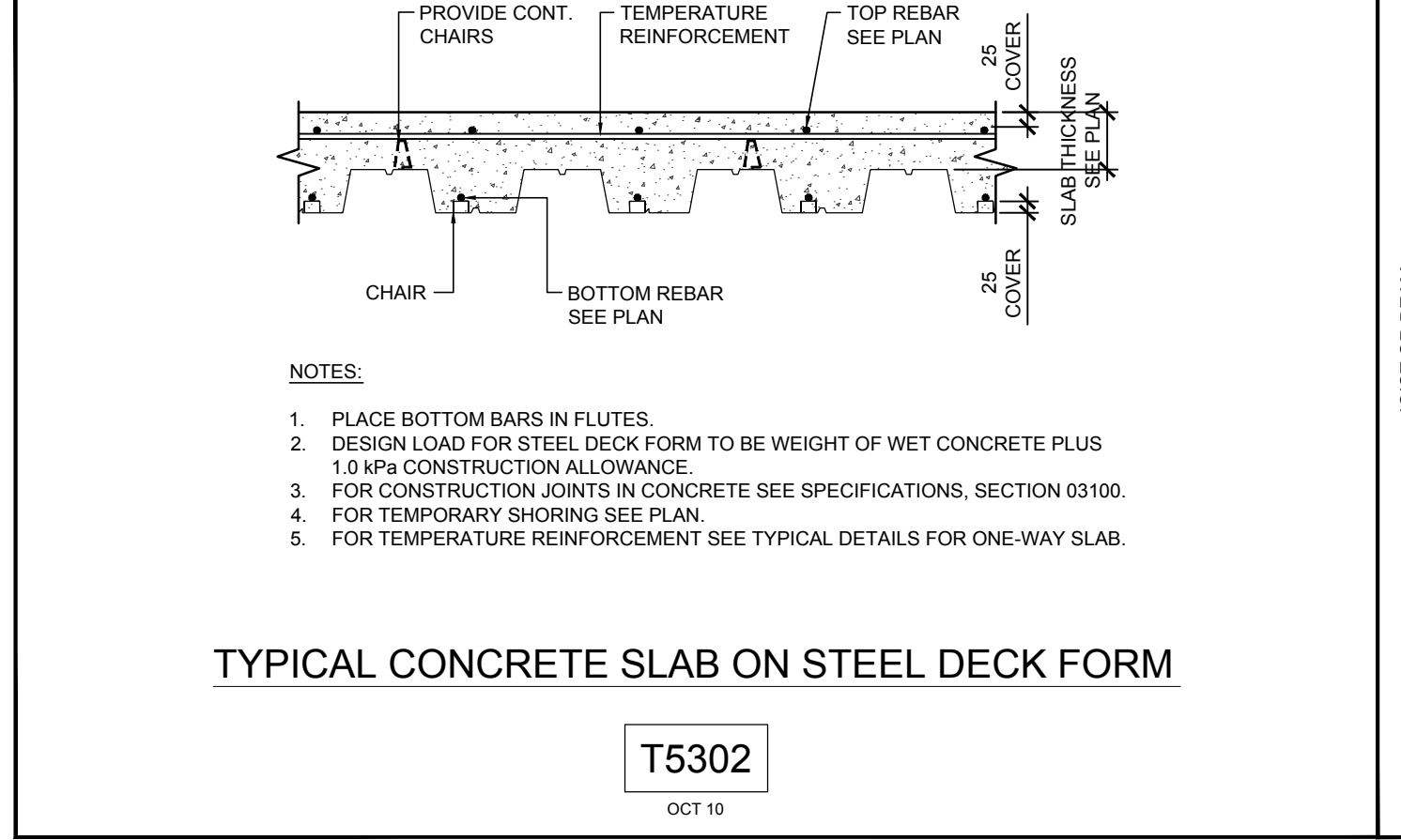
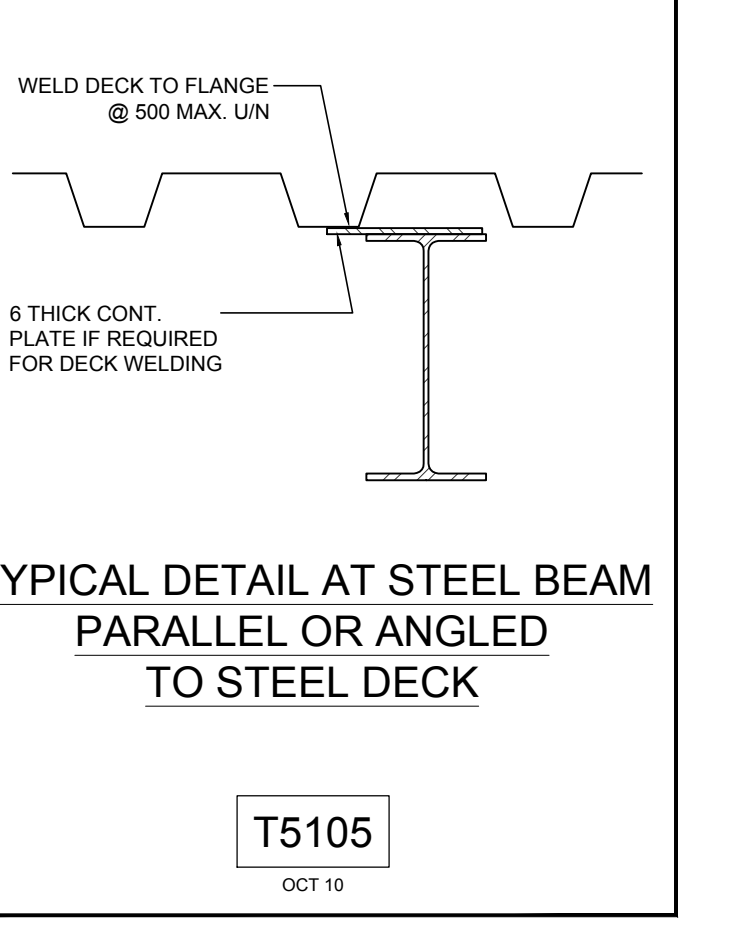
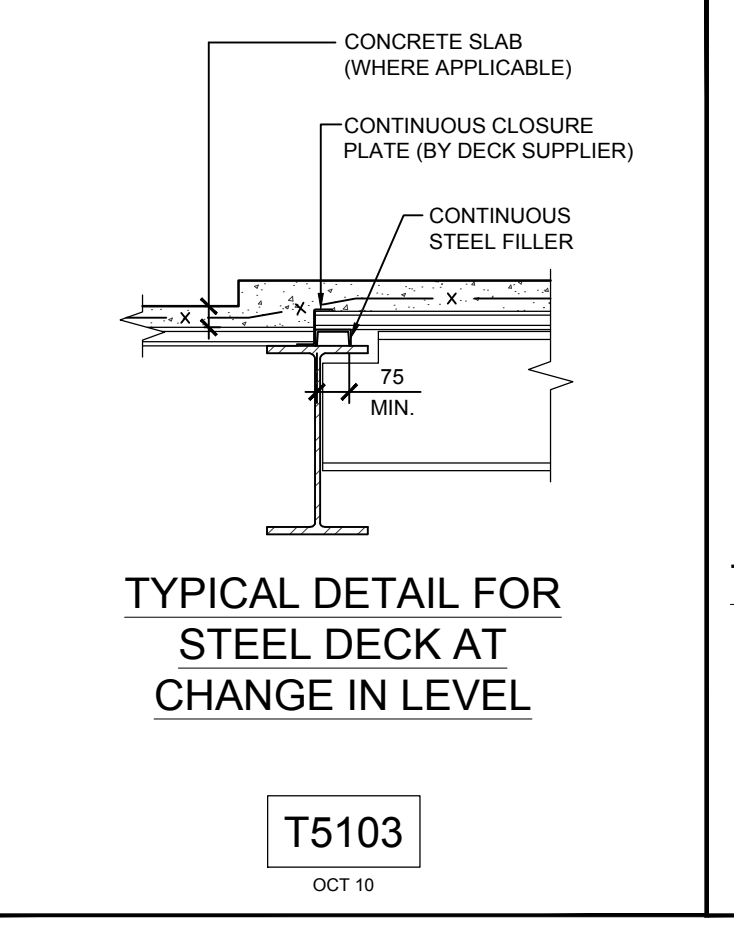
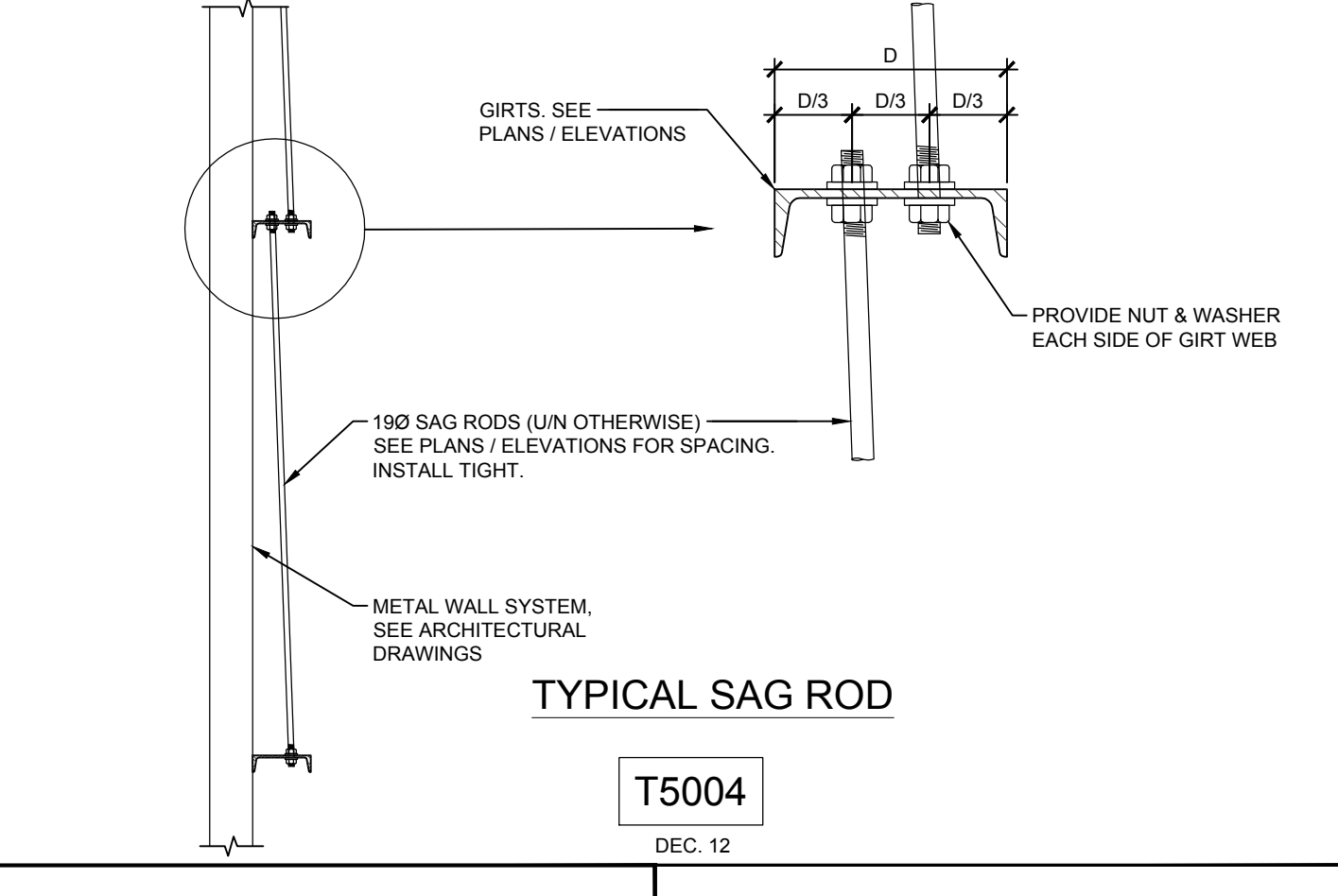
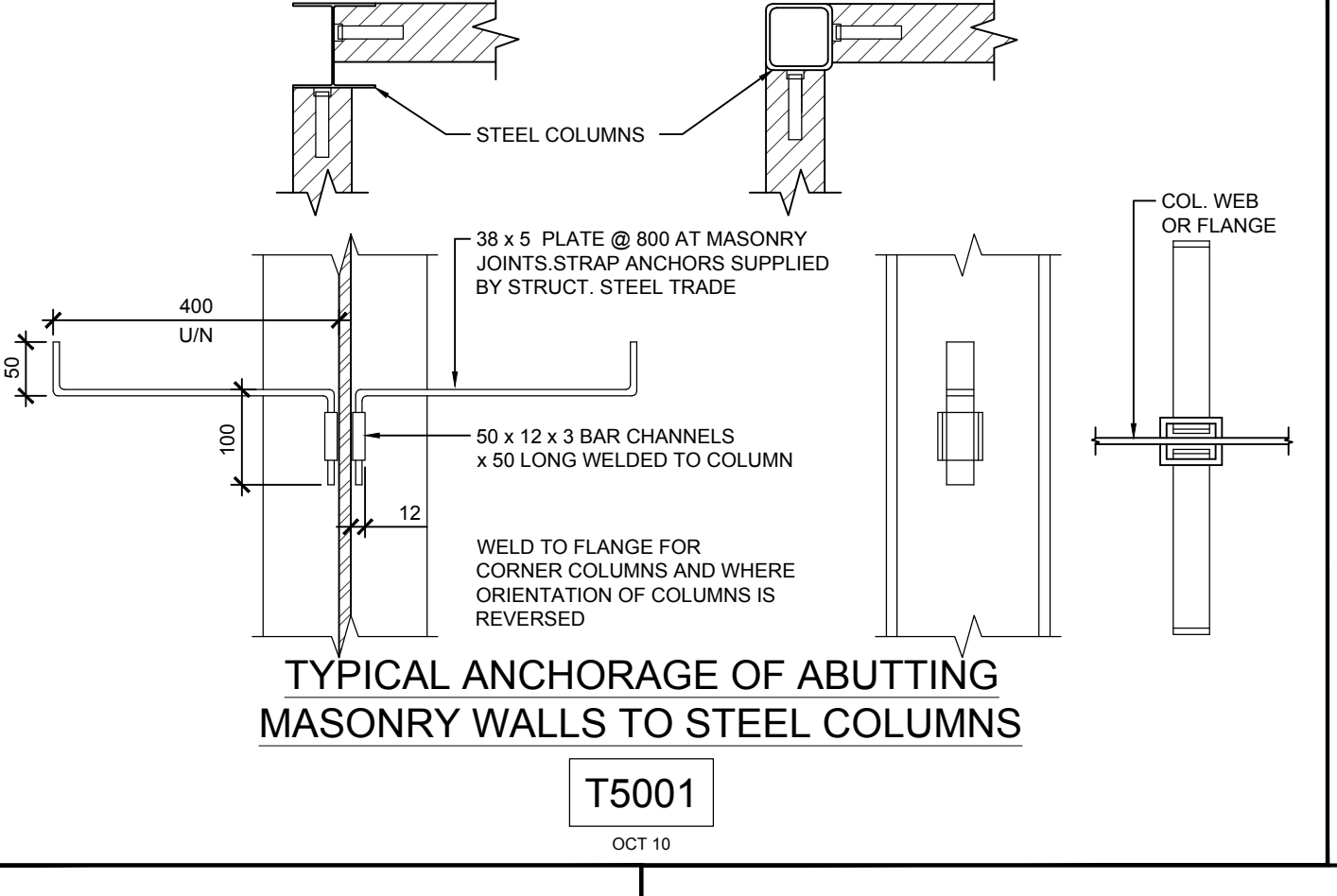
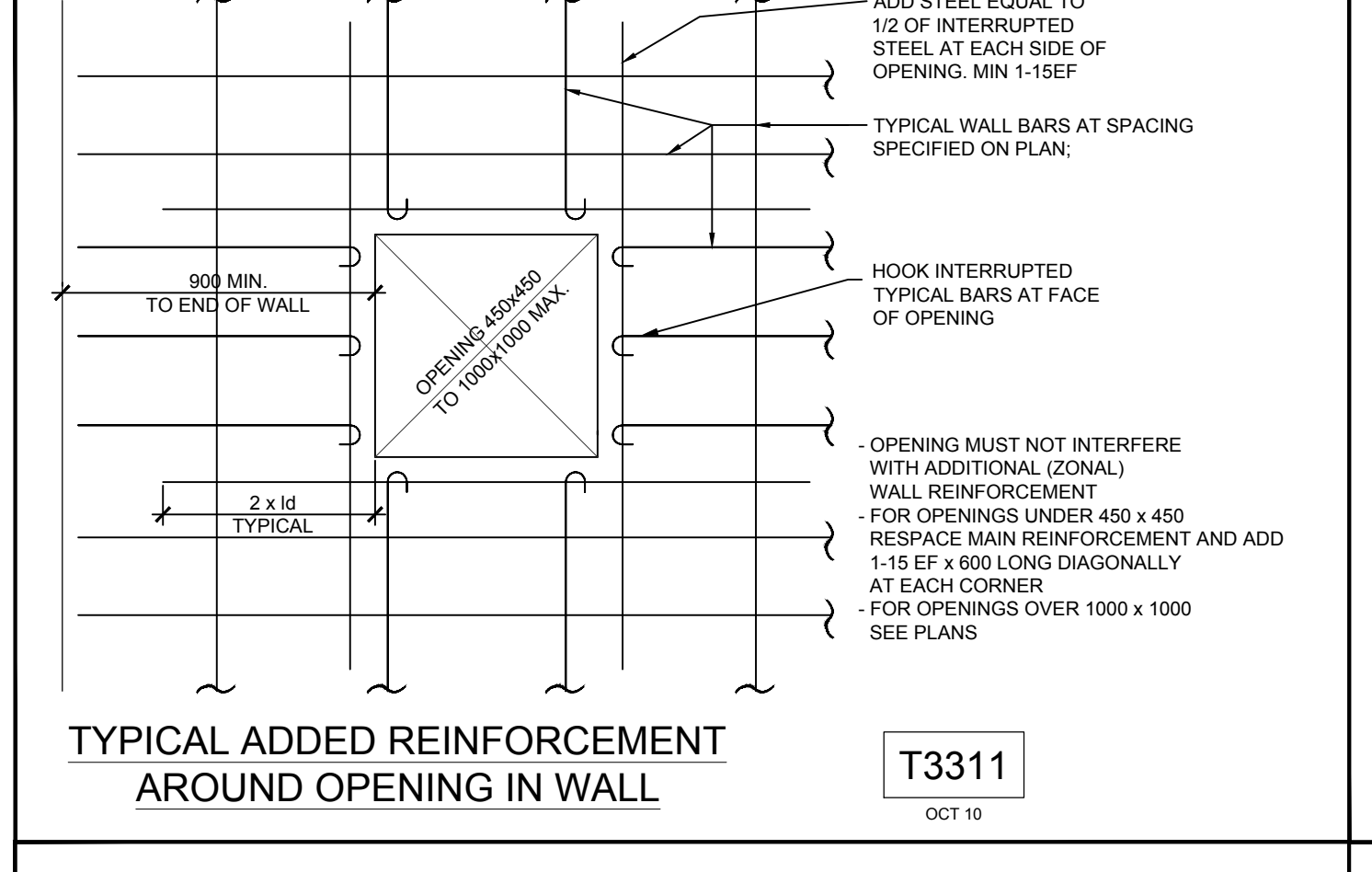
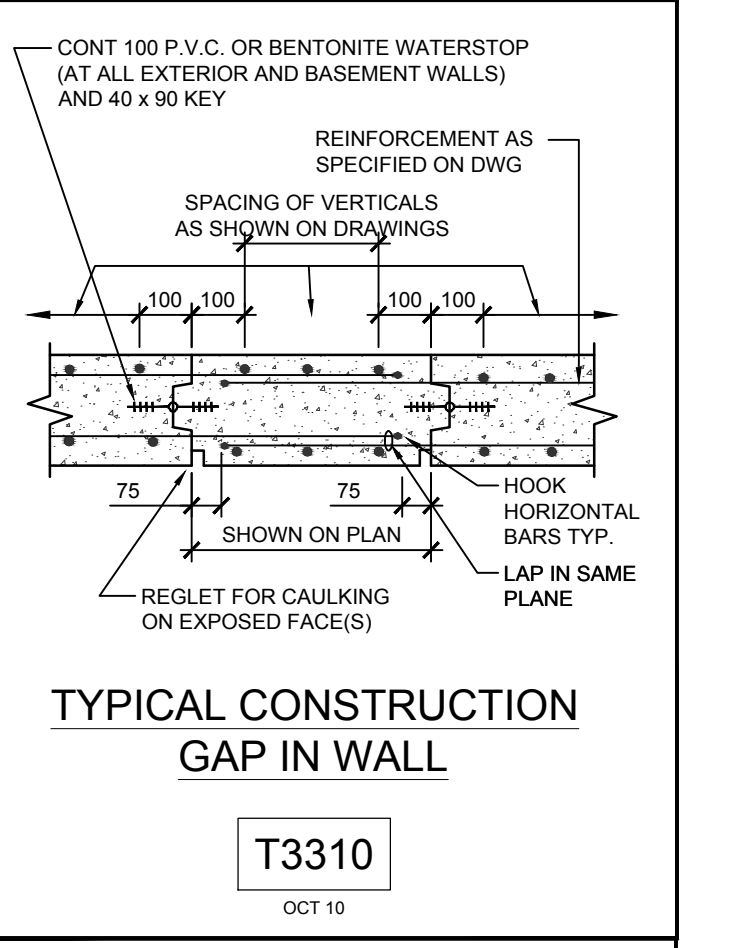
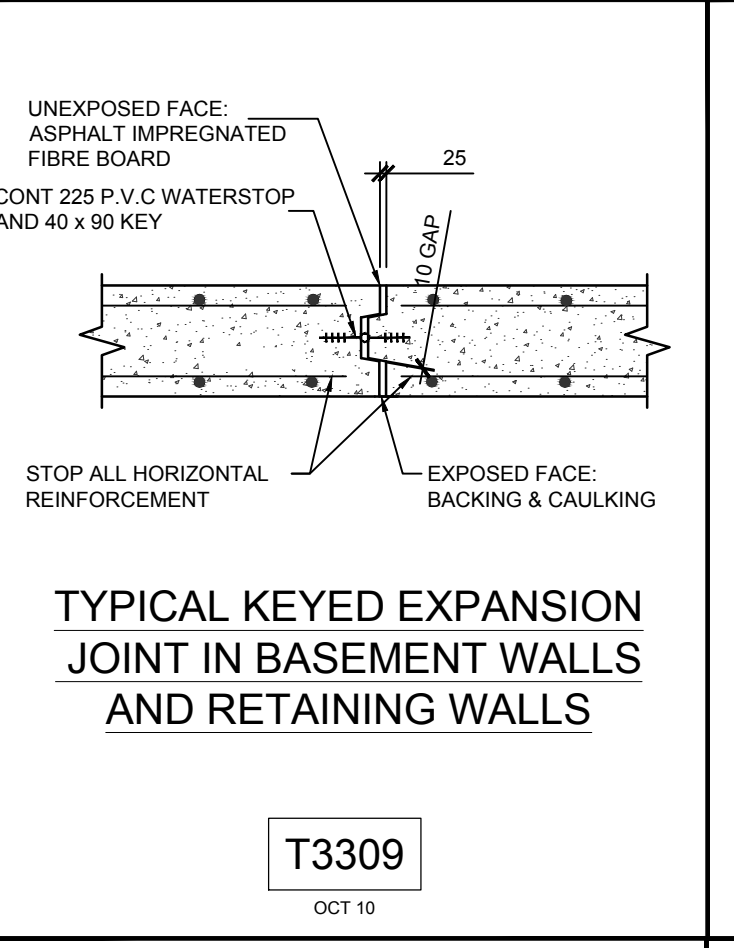
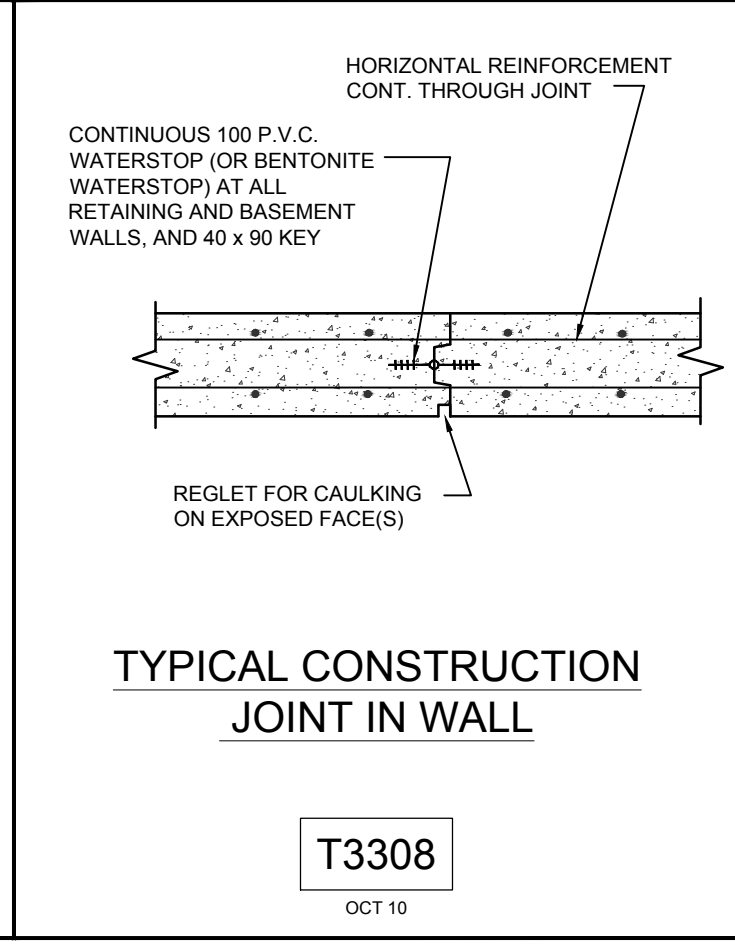
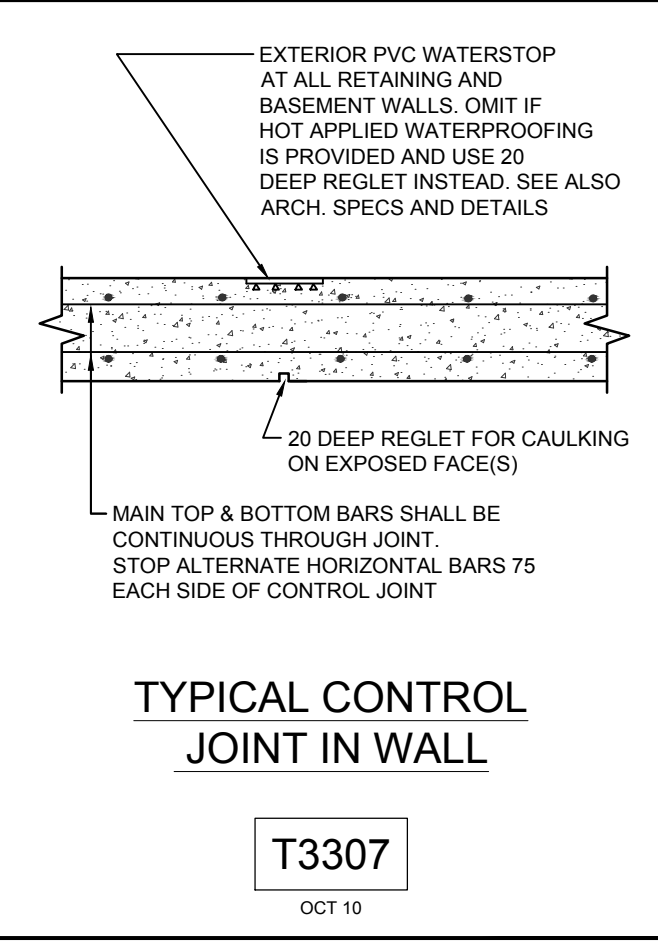
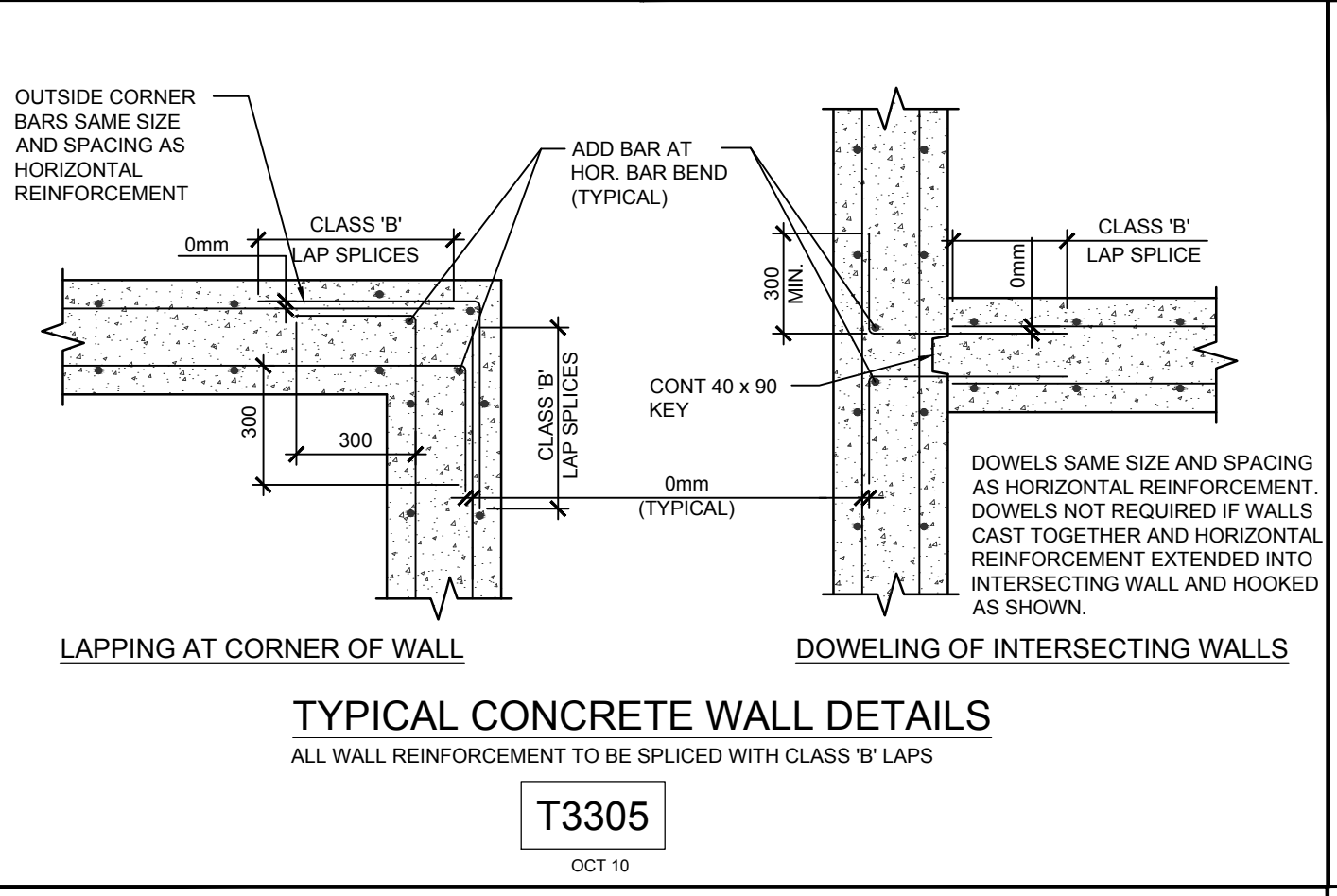
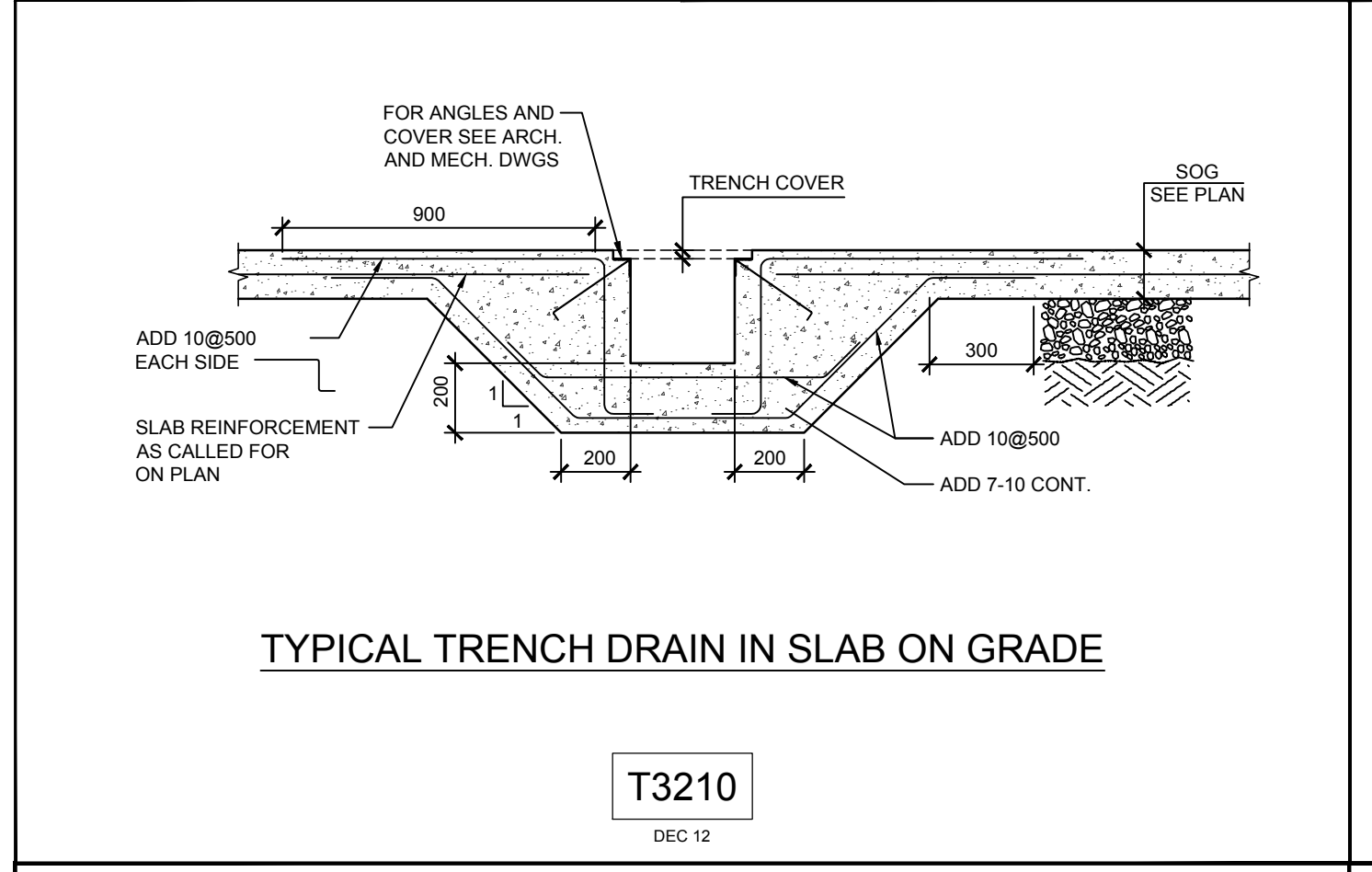
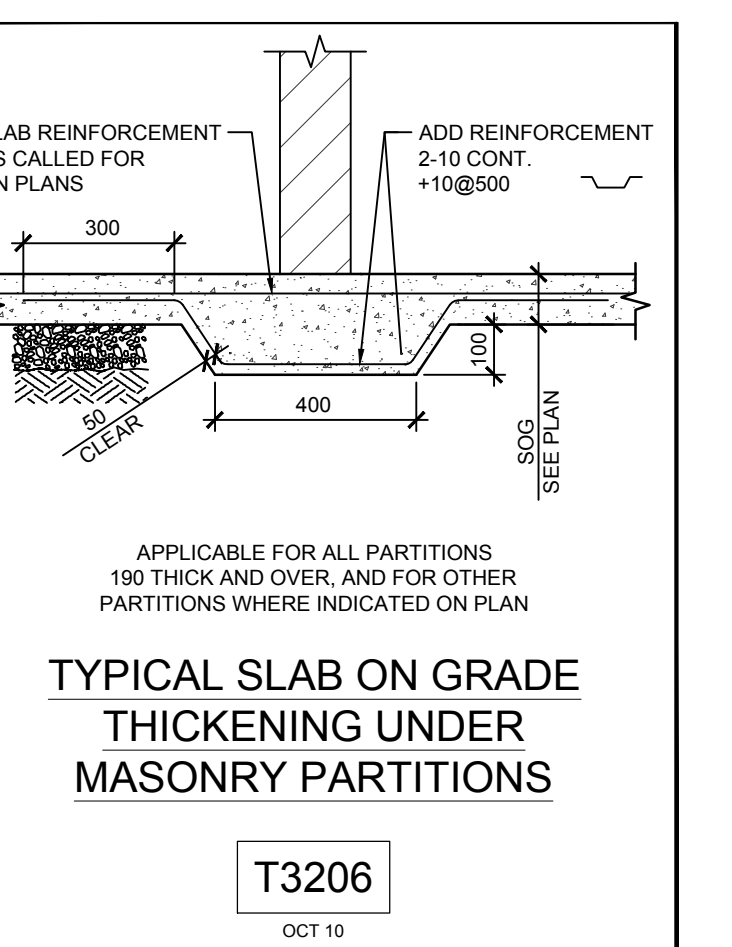
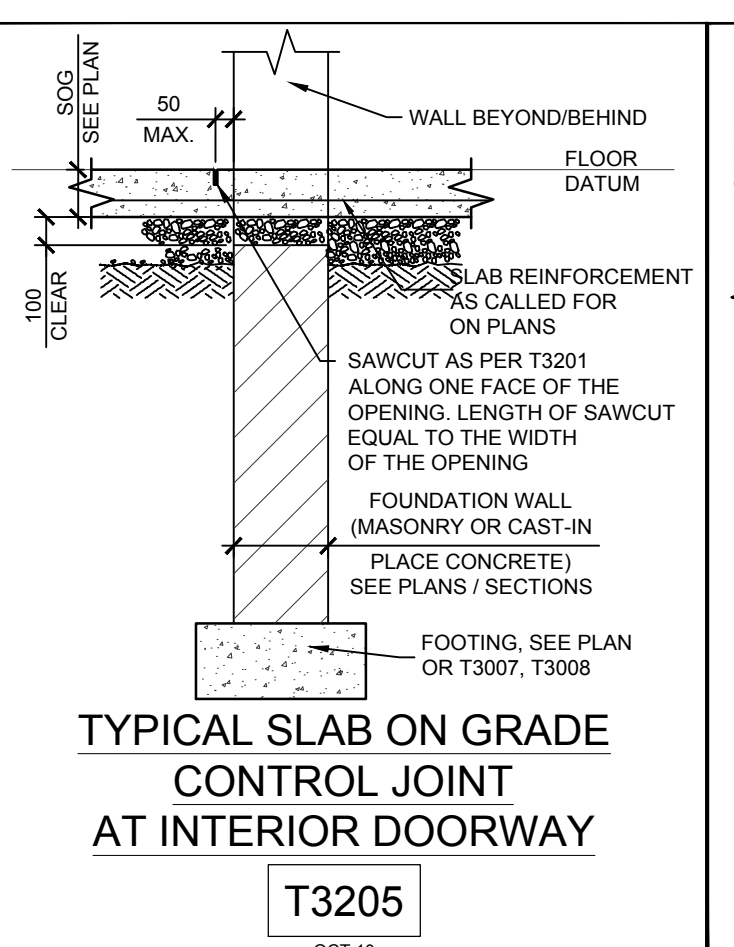
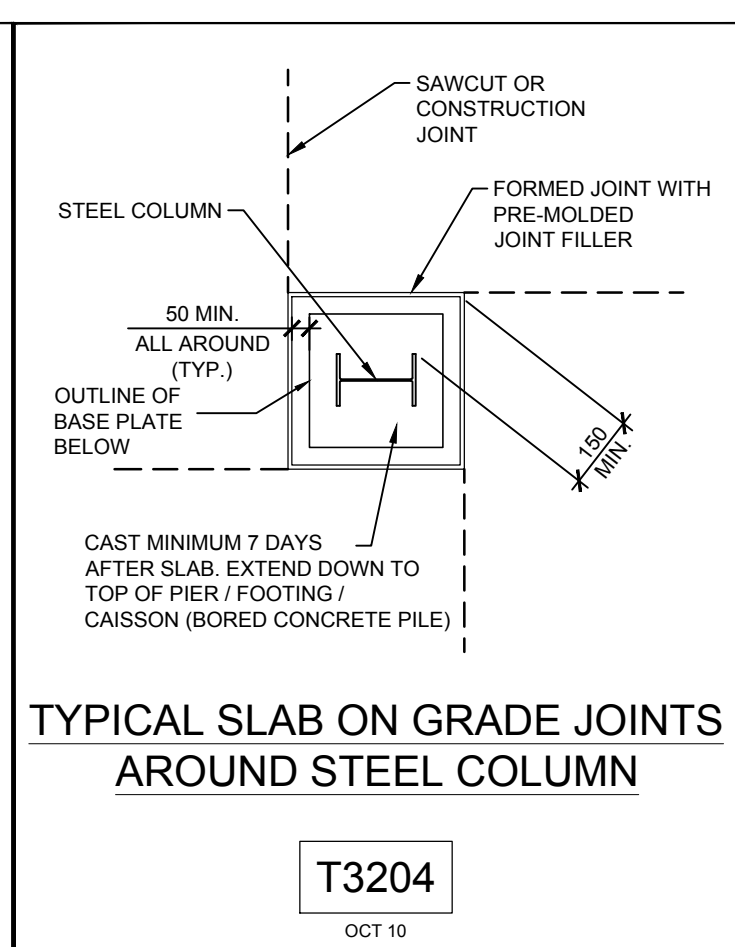
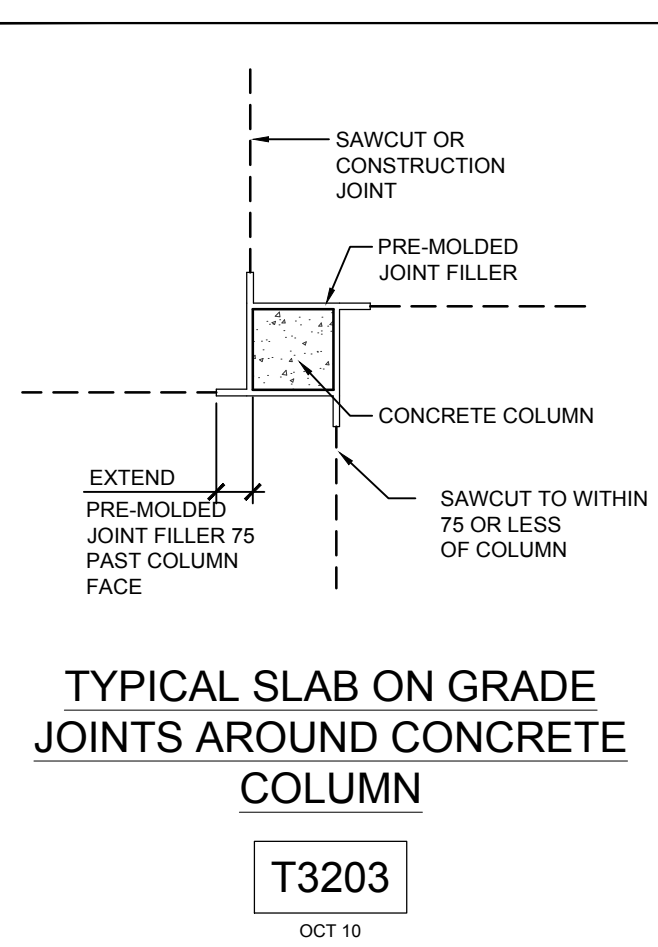
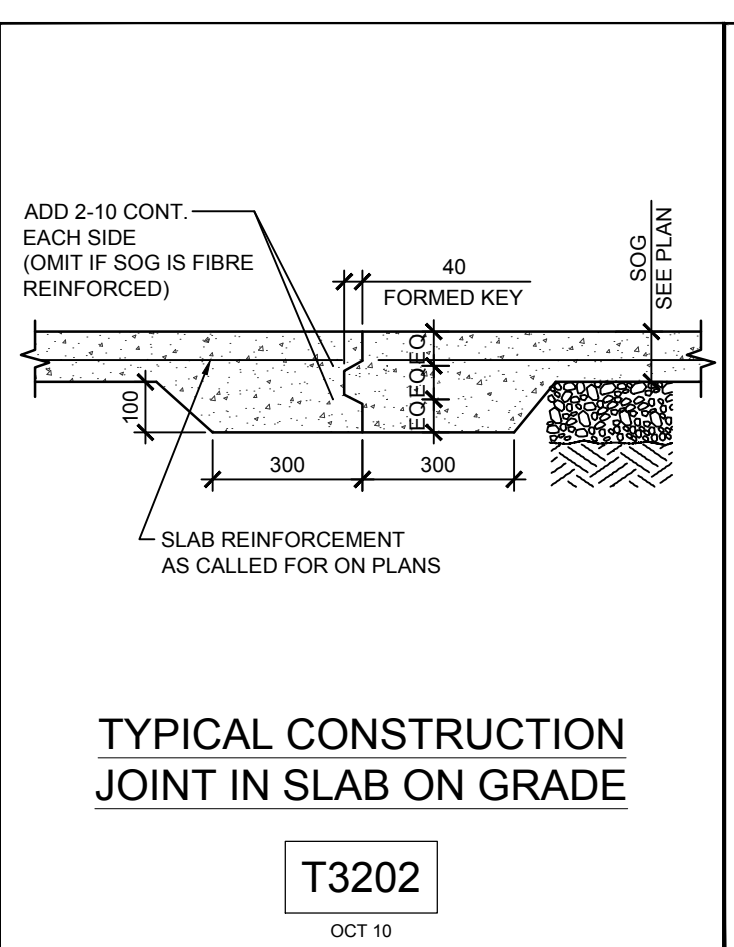
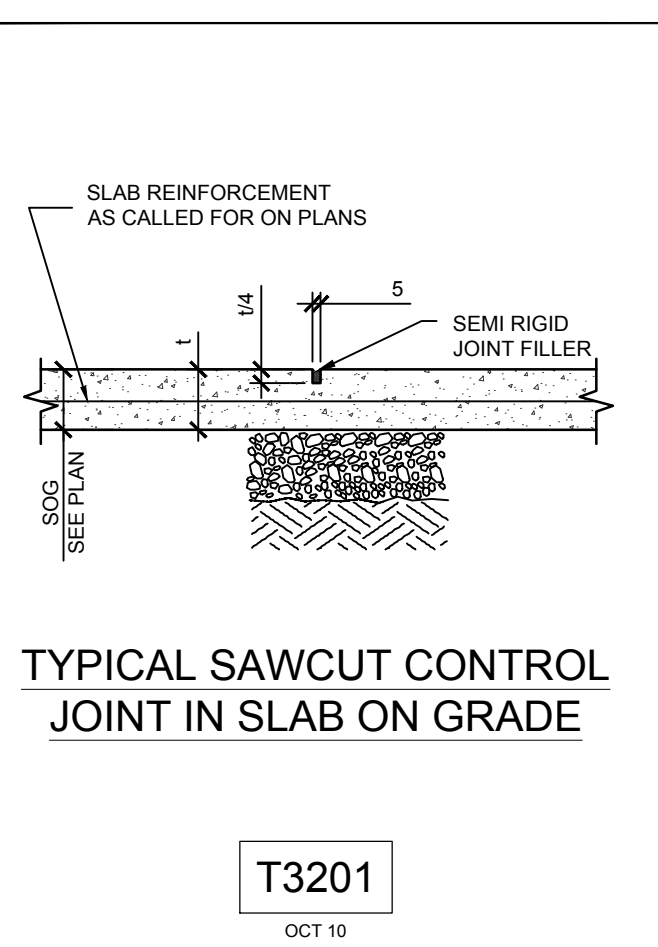
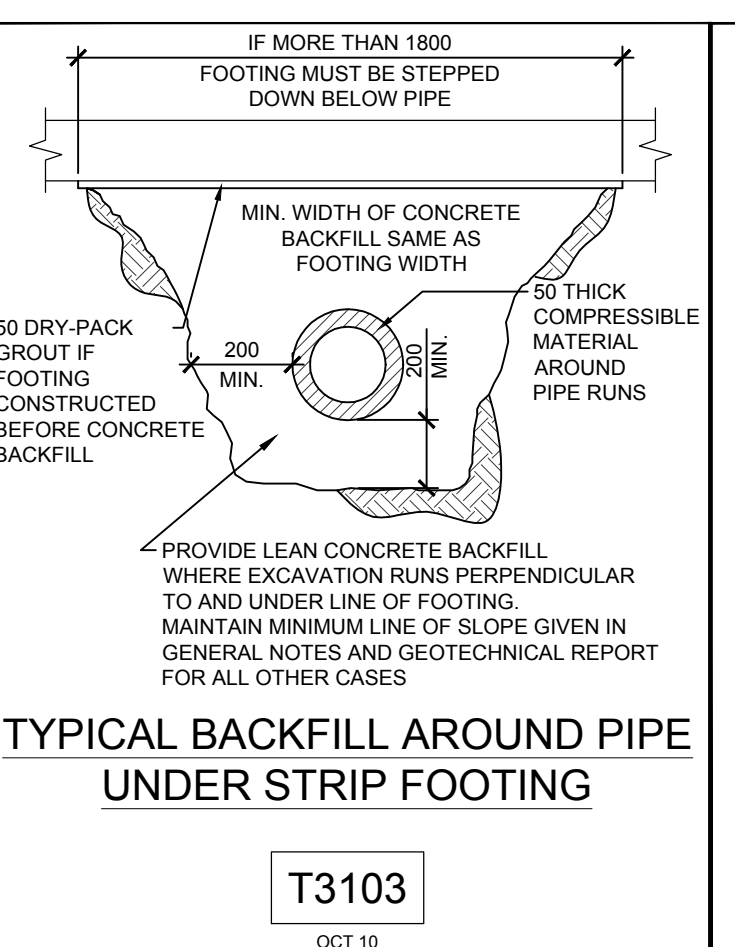
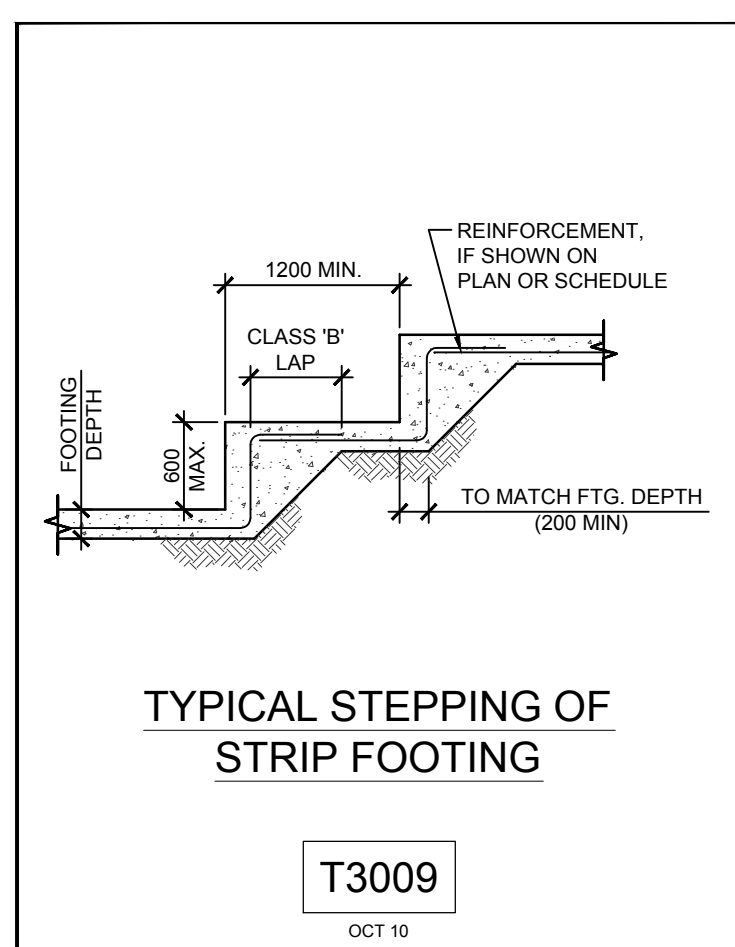
A	A detail no. du detail	A
C	B location drawing no. sur dessin no.	B C
	C drawing no. dessin no.	

project projet
CSC MULTI-PURPOSE BUILDING
CBI MINIMUM INSTITUTION (FRONTENAC)
 KINGSTON, ONTARIO

drawing dessin
TYPICAL DETAILS

designed	LJF	conçu
date	2014/04/22	(yyyy/mm/dd)
drawn	PDM	dessiné
date	2014/04/22	(yyyy/mm/dd)
reviewed	LJF	examiné
date	2015/01/30	(yyyy/mm/dd)
approved	LJF	approuvé
date	2015/01/30	(yyyy/mm/dd)
Tender	DUNCAN PARKER	Submission
Project Manager	Administrateur de projets	
project no.	no. du projet	
	R.055776.001	
drawing no.	no. du dessin	

SCALE: N.T.S. S401



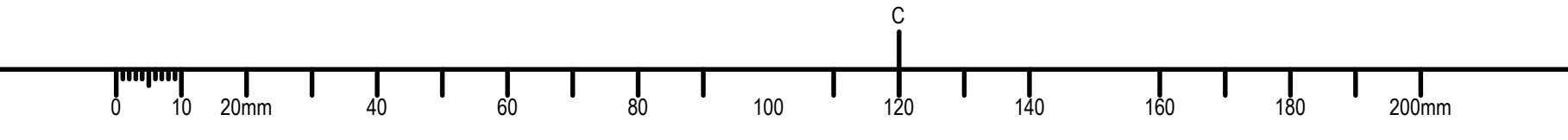
1. ALL LARGER OPENINGS AND OPENINGS SPACED CLOSER THAN SPECIFIED IN DIAGRAM TO BE FRAMED BY STRUCTURAL STEEL. SEE DRAWING NOTES.
 2. CUT STEEL DECK FOR THE OPENINGS AFTER CONCRETE REACHES MINIMUM 75% OF SPECIFIED CONCRETE STRENGTH

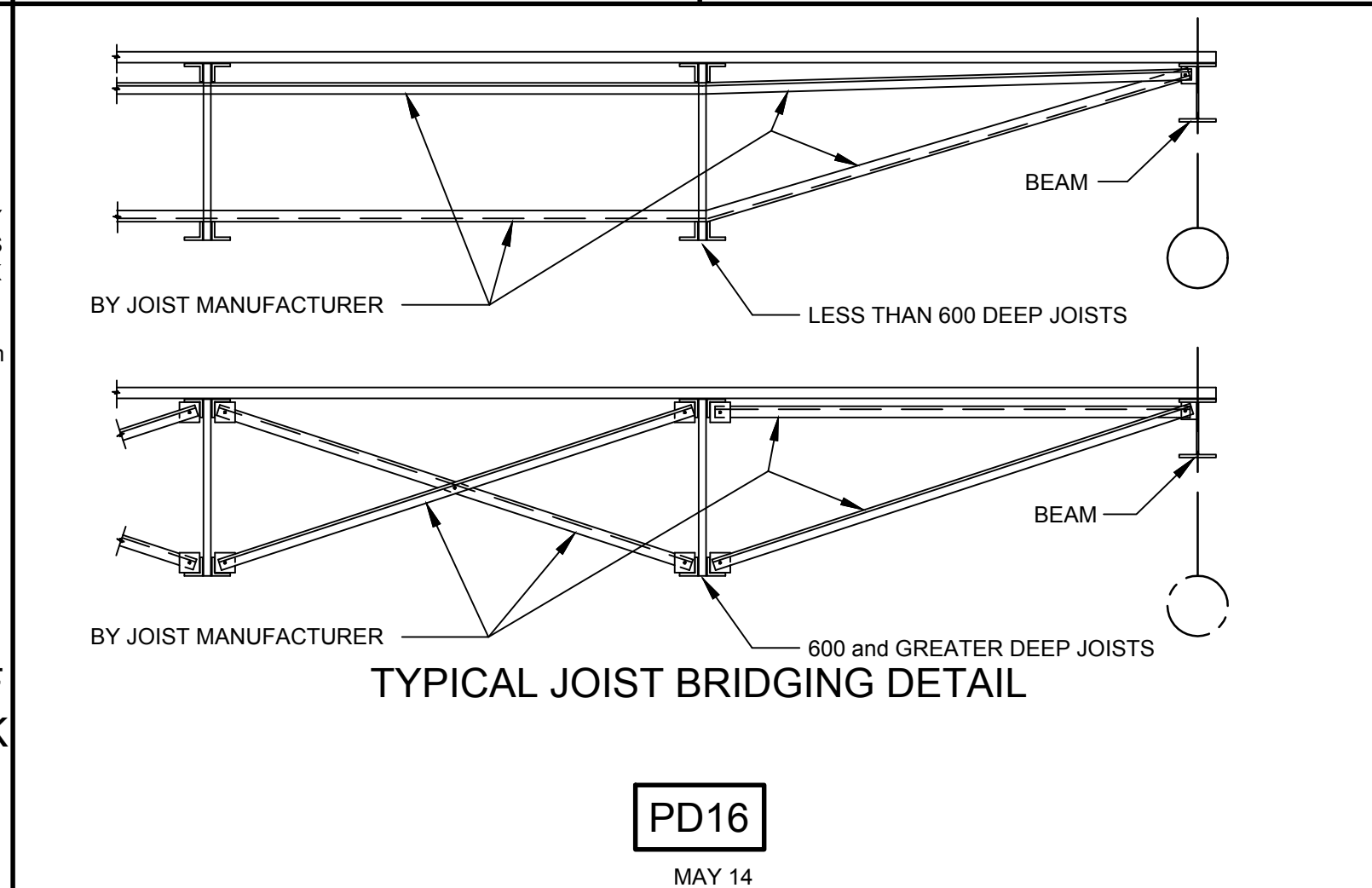
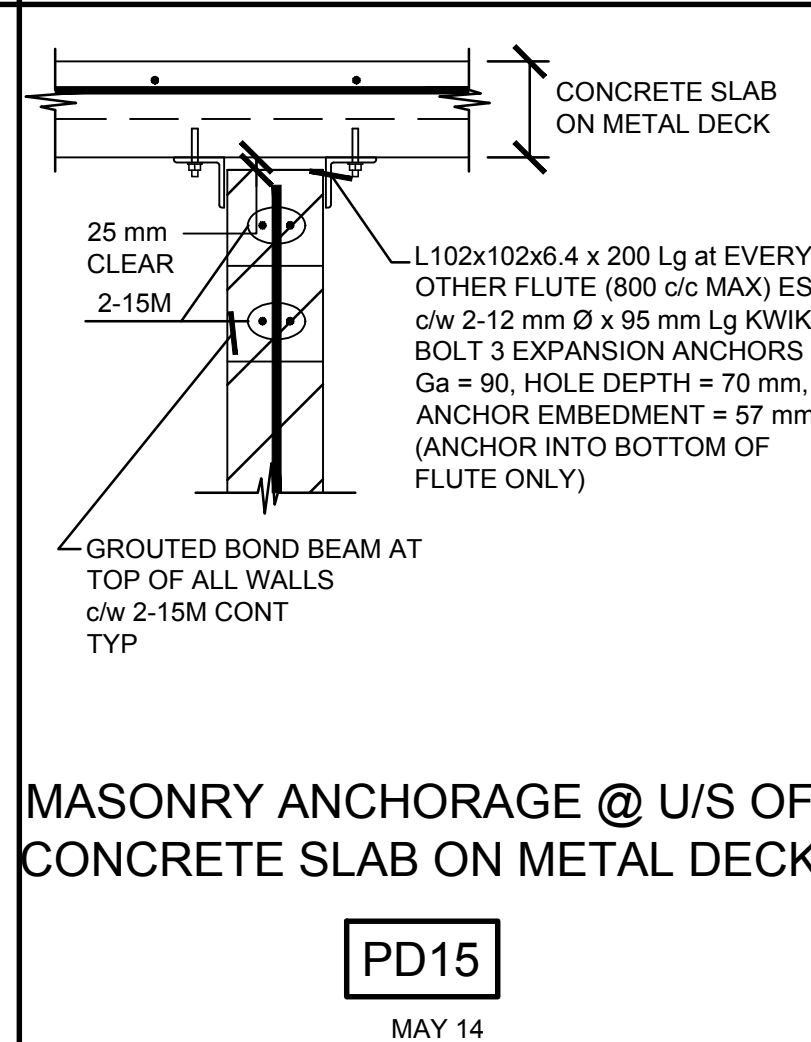
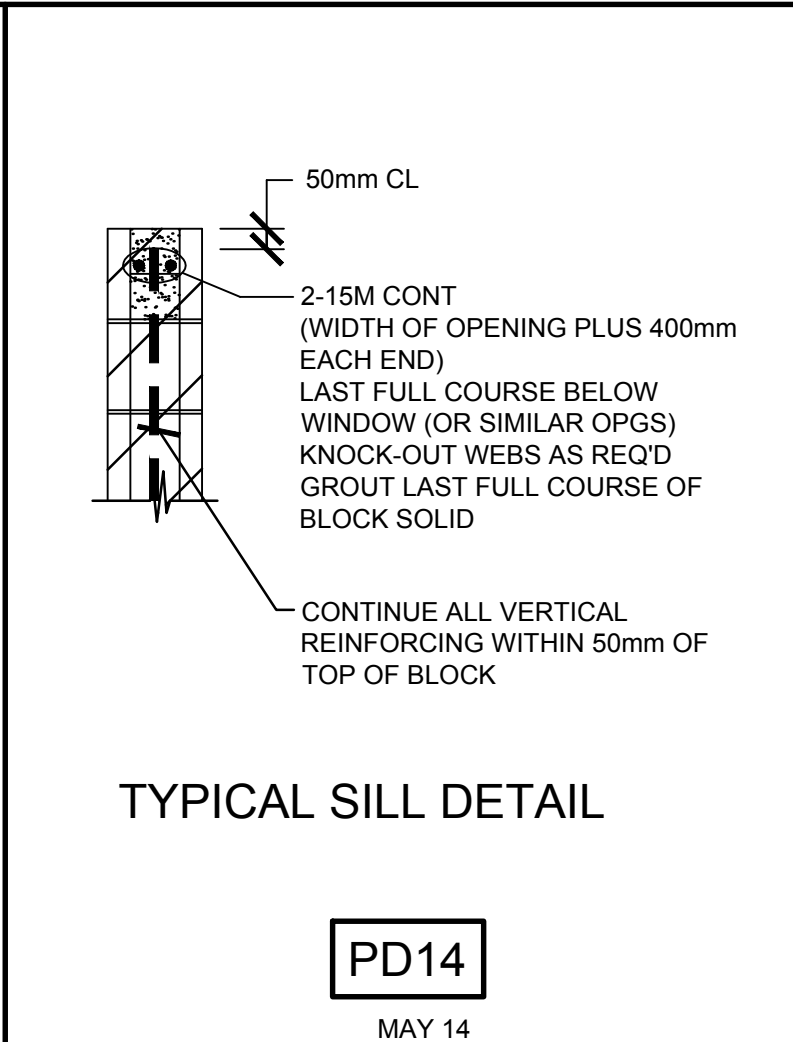
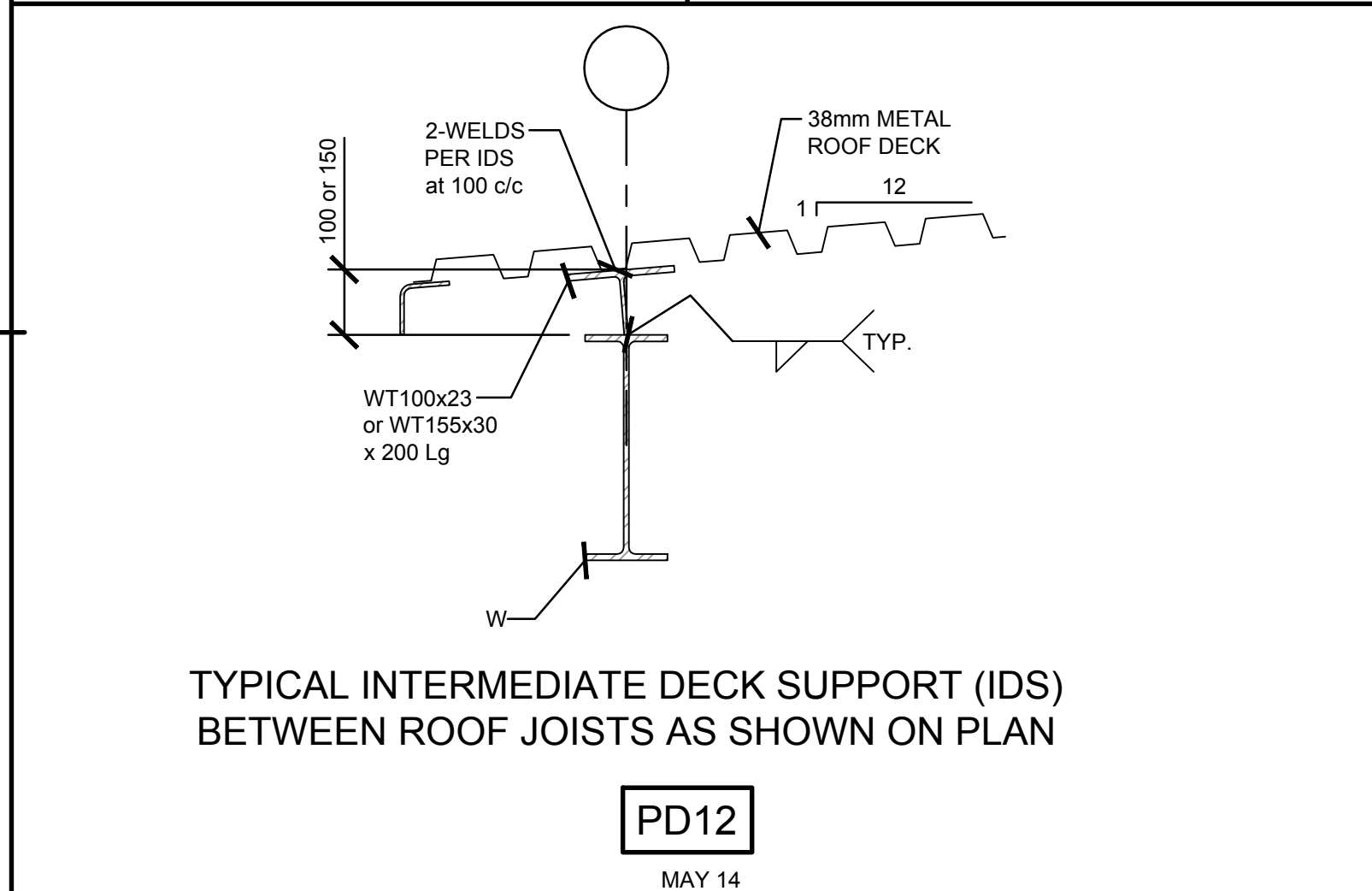
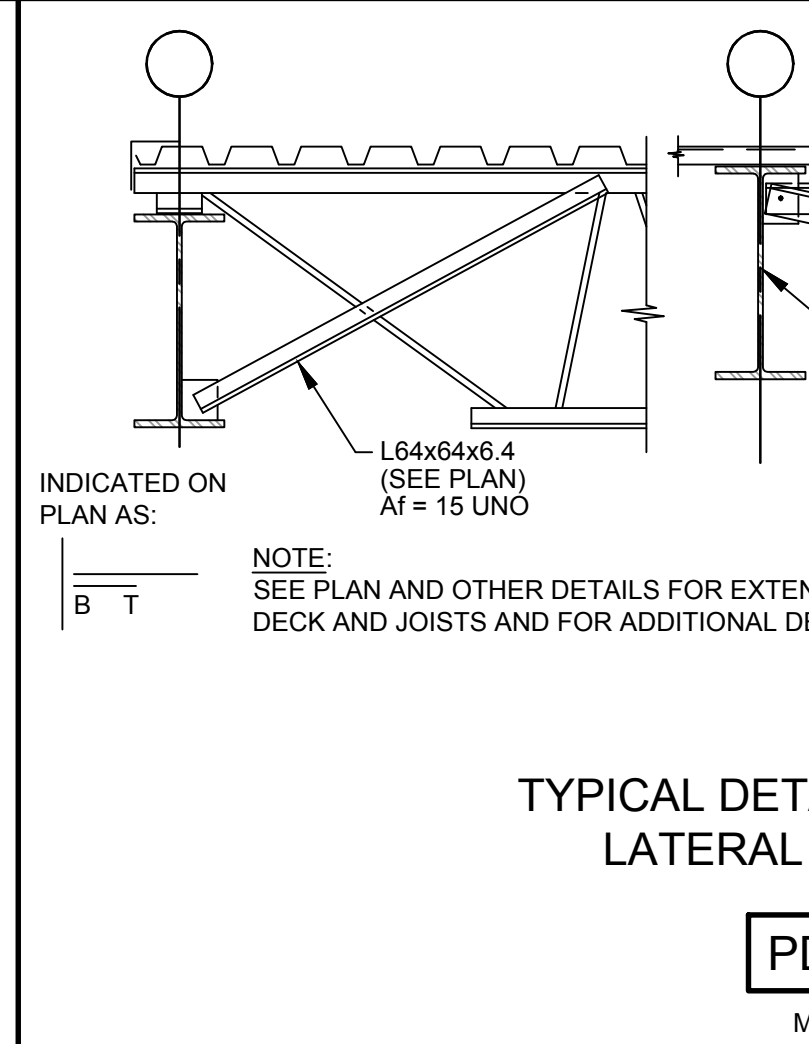
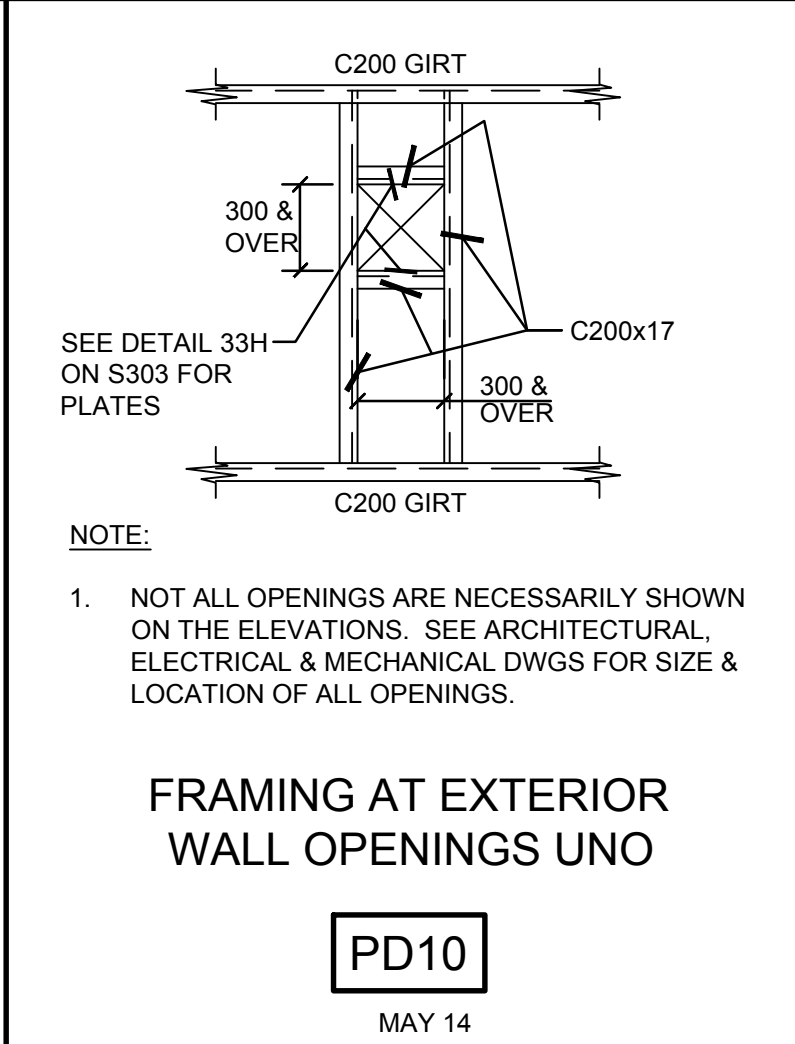
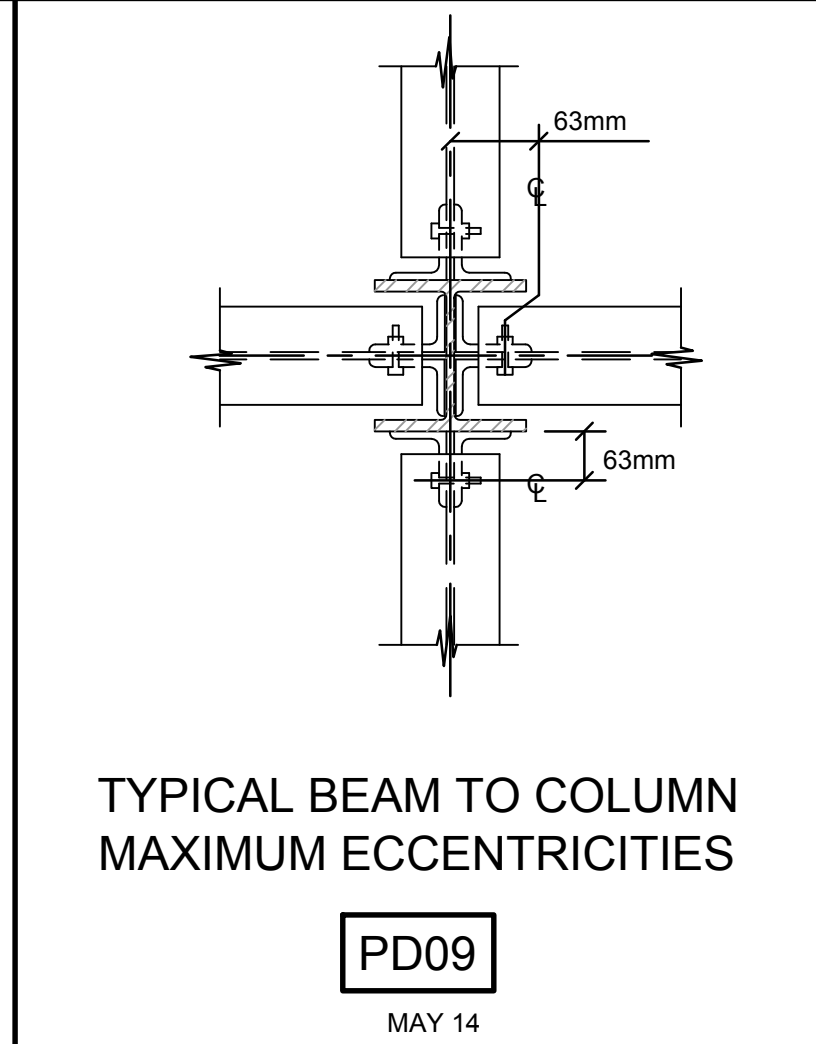
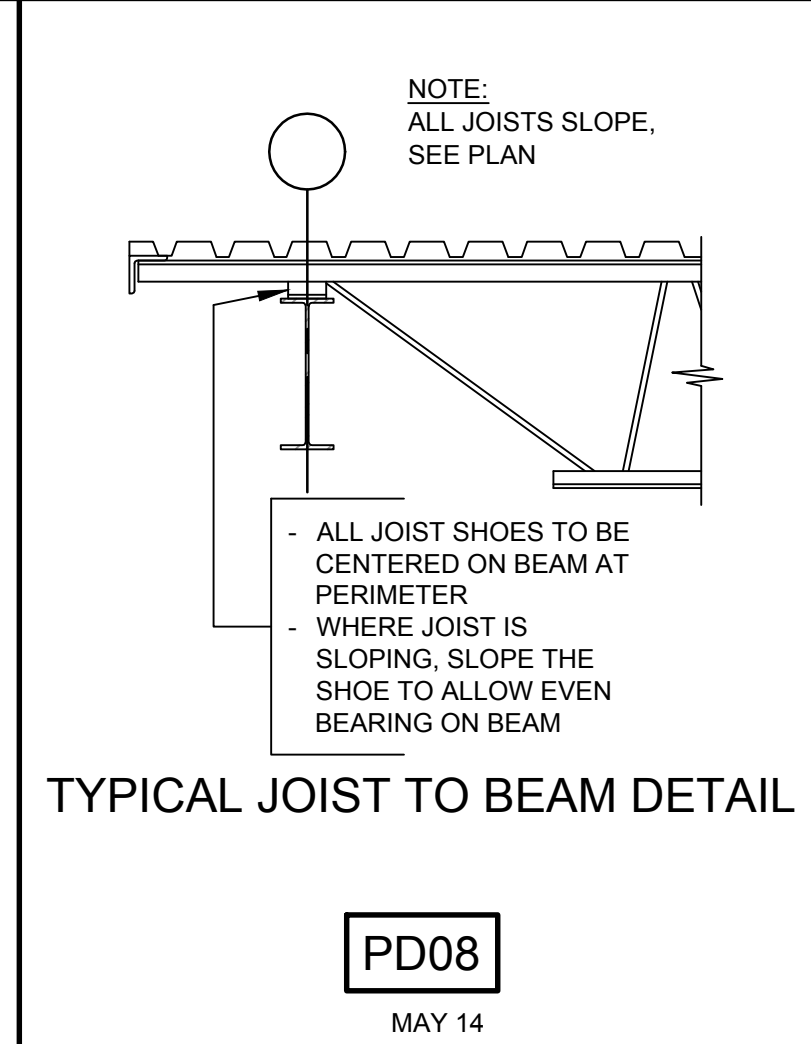
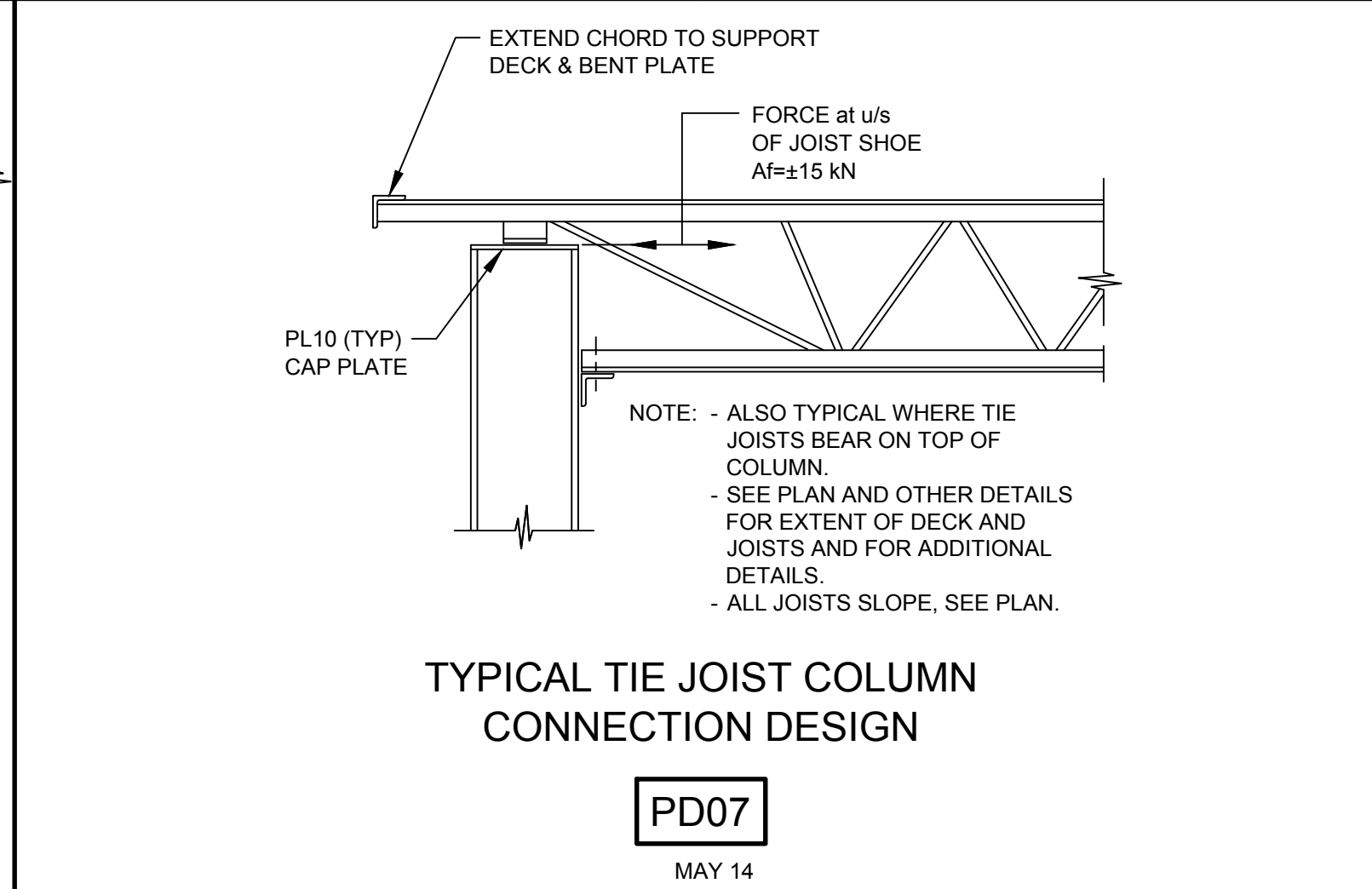
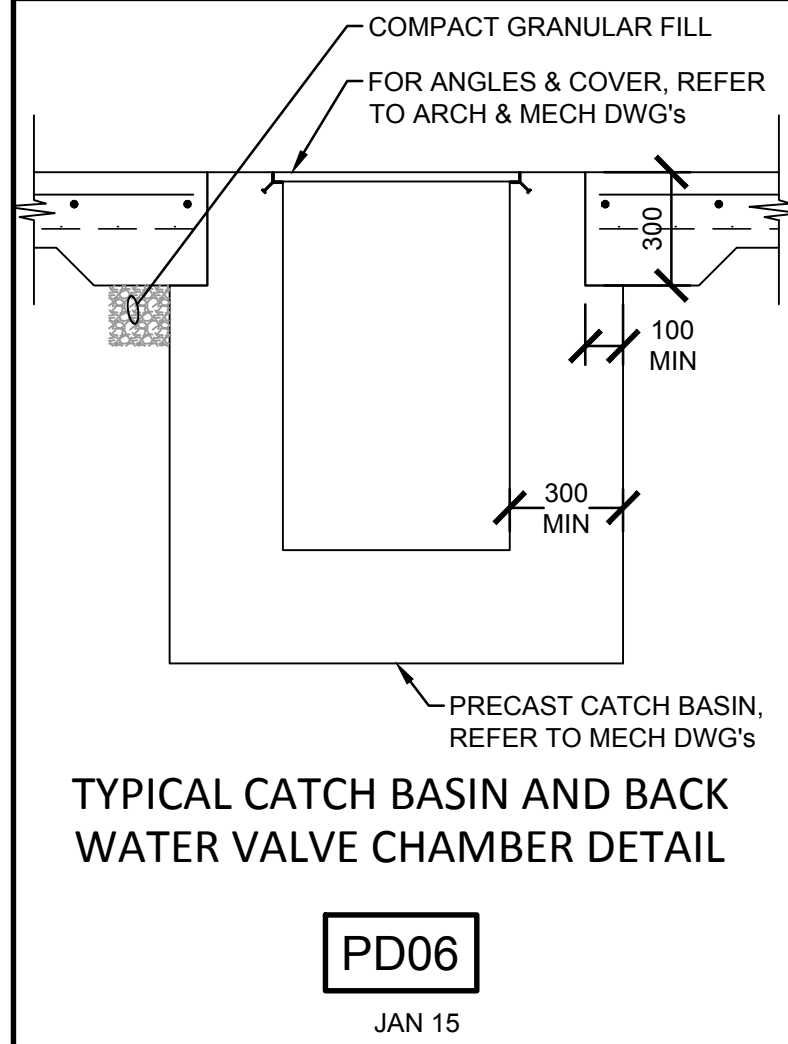
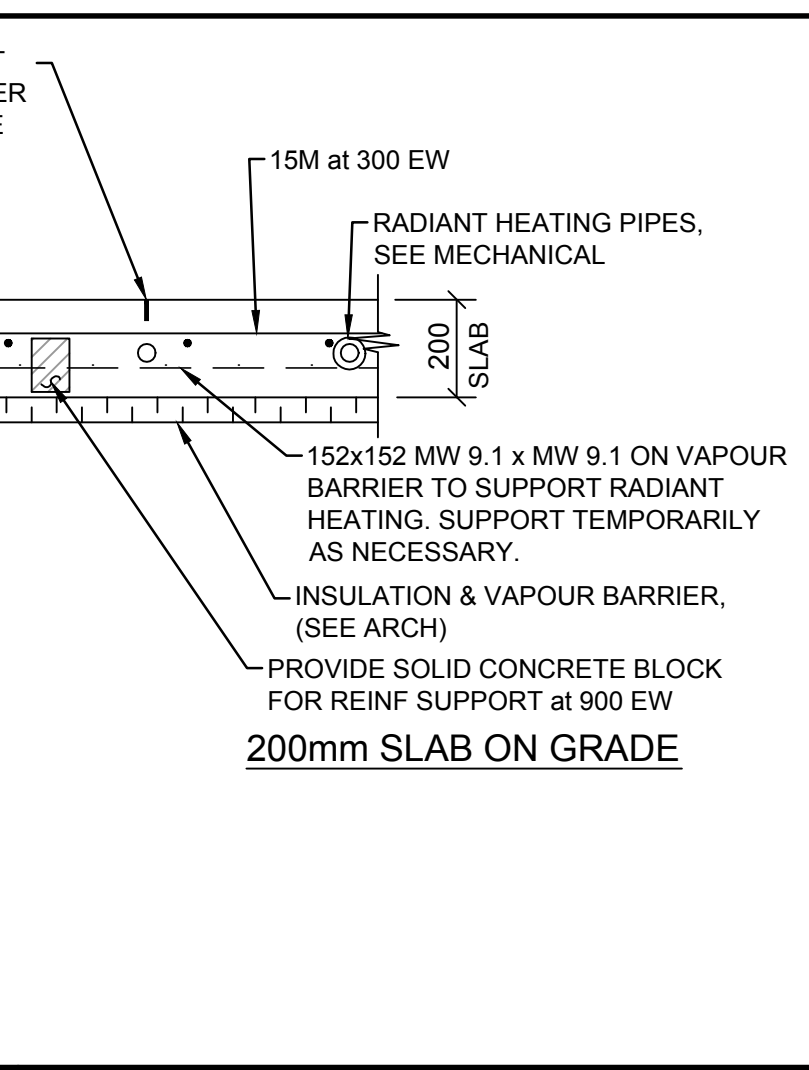
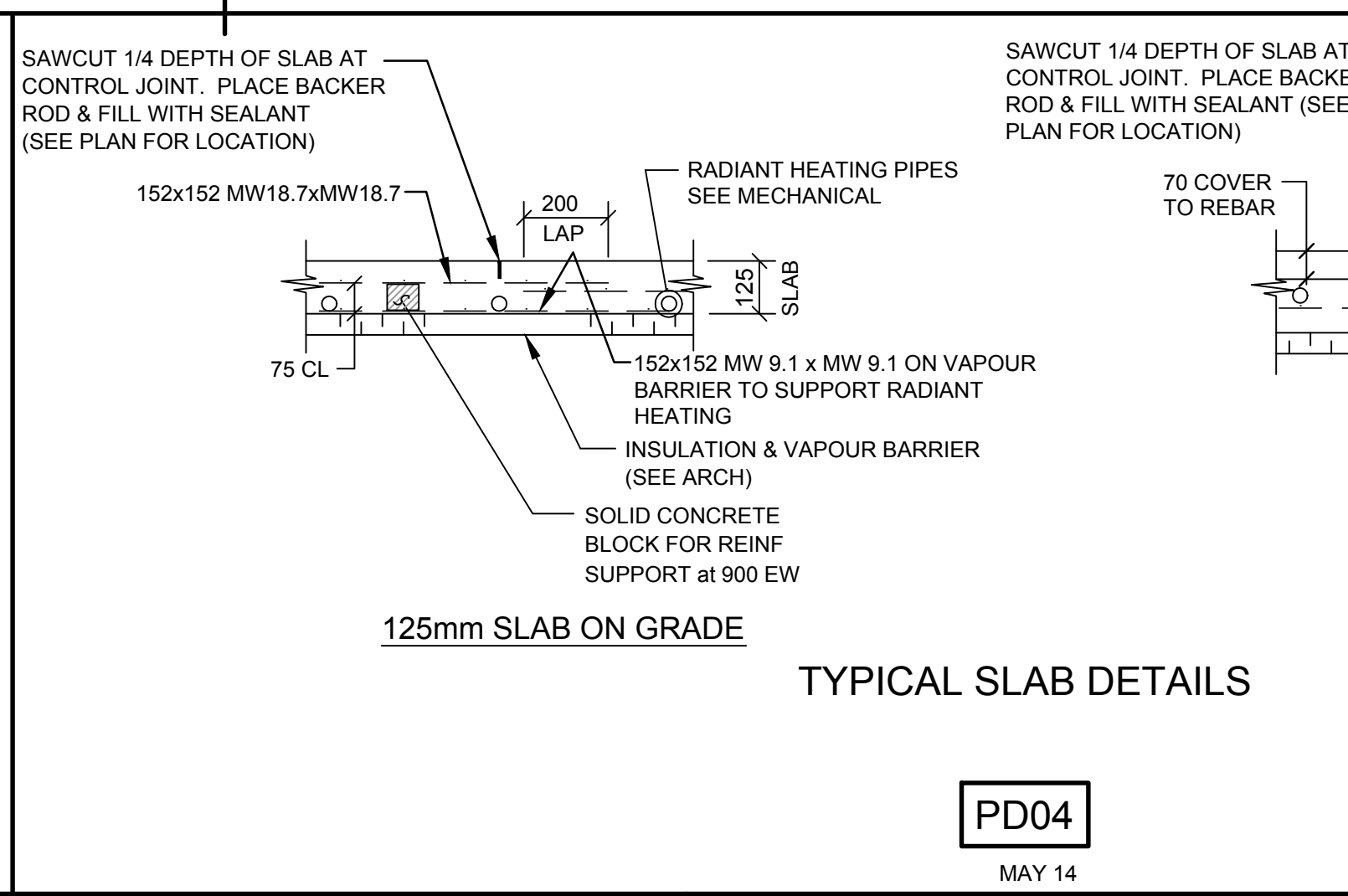
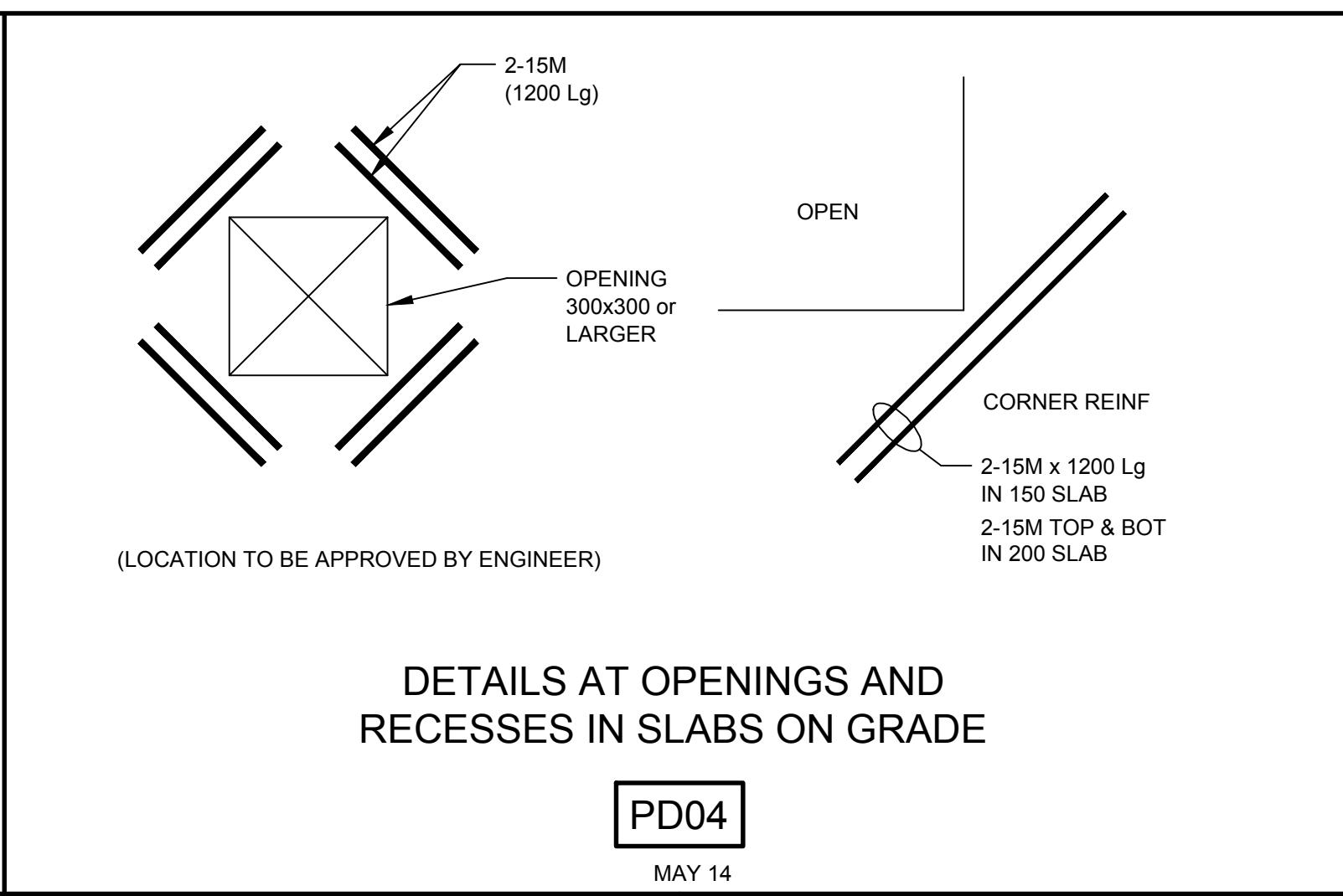
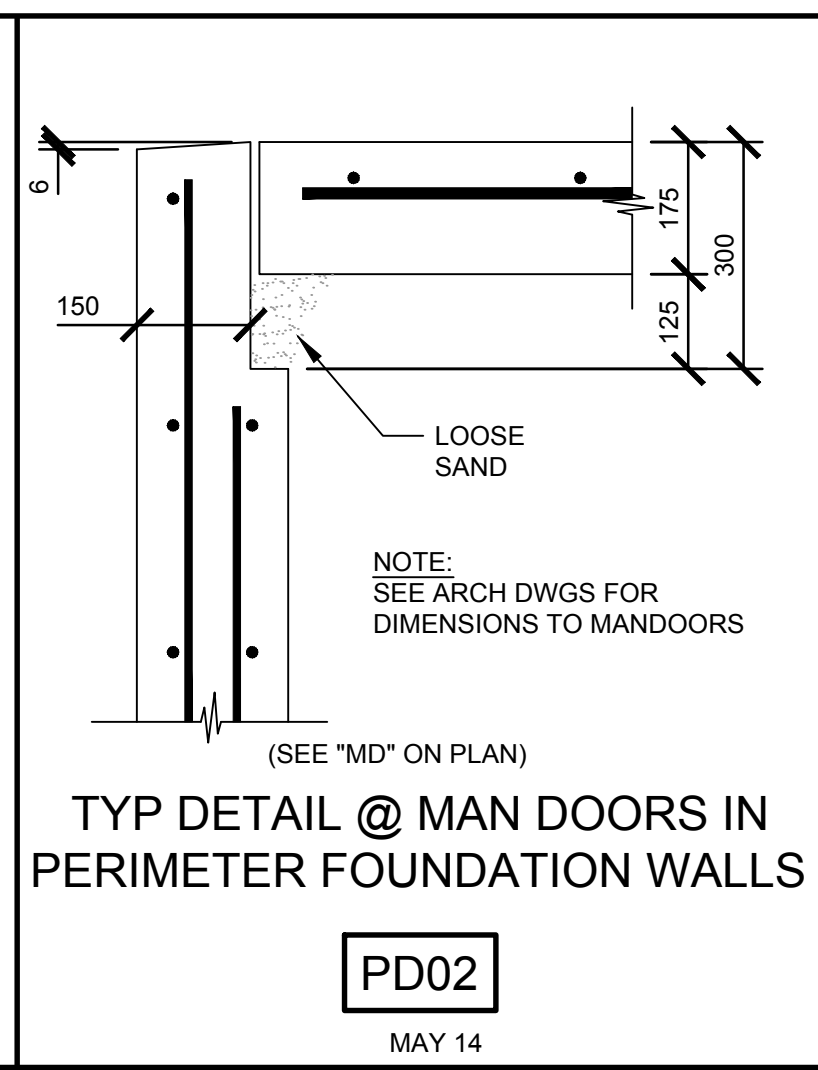
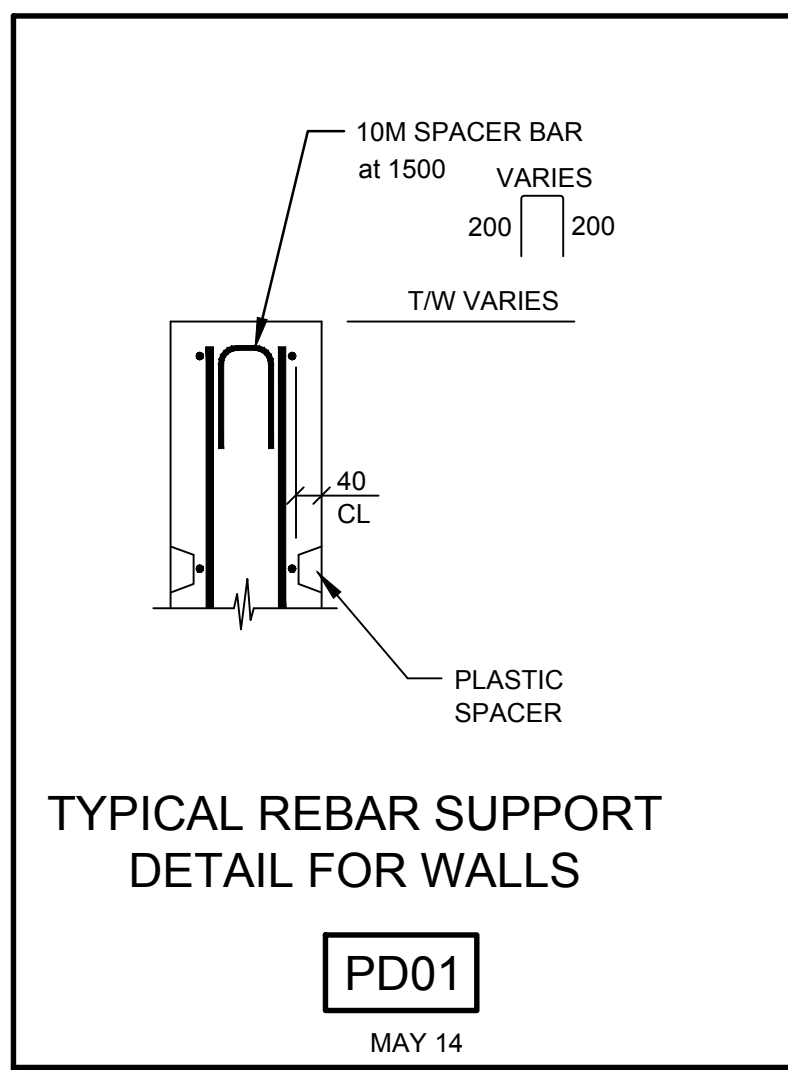
NOTES:
 1. PLACE BOTTOM BARS IN FLUTES.
 2. DESIGN LOAD FOR STEEL DECK FORM TO BE WEIGHT OF WET CONCRETE PLUS 1.0 kPa CONSTRUCTION ALLOWANCE.
 3. FOR CONSTRUCTION JOINTS IN CONCRETE SEE SPECIFICATIONS, SECTION 03100.
 4. FOR TEMPORARY SHORING SEE PLAN.
 5. FOR TEMPERATURE REINFORCEMENT SEE TYPICAL DETAILS FOR ONE-WAY SLAB.

ALL LARGER OPENINGS AND OPENINGS SPACED CLOSER THAN SPECIFIED ABOVE TO BE FRAMED BY STRUCTURAL STEEL. SEE DRAWING NOTES.

OPENING IN DECK UP TO 150 SQ. OR ROUND UNREINFORCED IF 300 CLEAR BETWEEN OPENINGS.
 OPENINGS UP TO 300 SQ. (FOR 38 DECK) OR 425 SQ. (FOR 76 DECK) REINFORCE WITH L 51 x 51 x 4.8 FASTENED TO US OF DECK. 600 MIN. CLEAR BETWEEN OPENINGS.
 OPENINGS UP TO 450 WIDE TO BE REINFORCED WITH REBARS IF 600 CLEAR BETWEEN OPENINGS. FRAME ALL OPENINGS LARGER THAN 450 OR SPACED CLOSER THAN 600

2-15x1200 LG EA. SIDE
 2-15 EACH SIDE (AT BOTTOM OF DECK FLUTES)





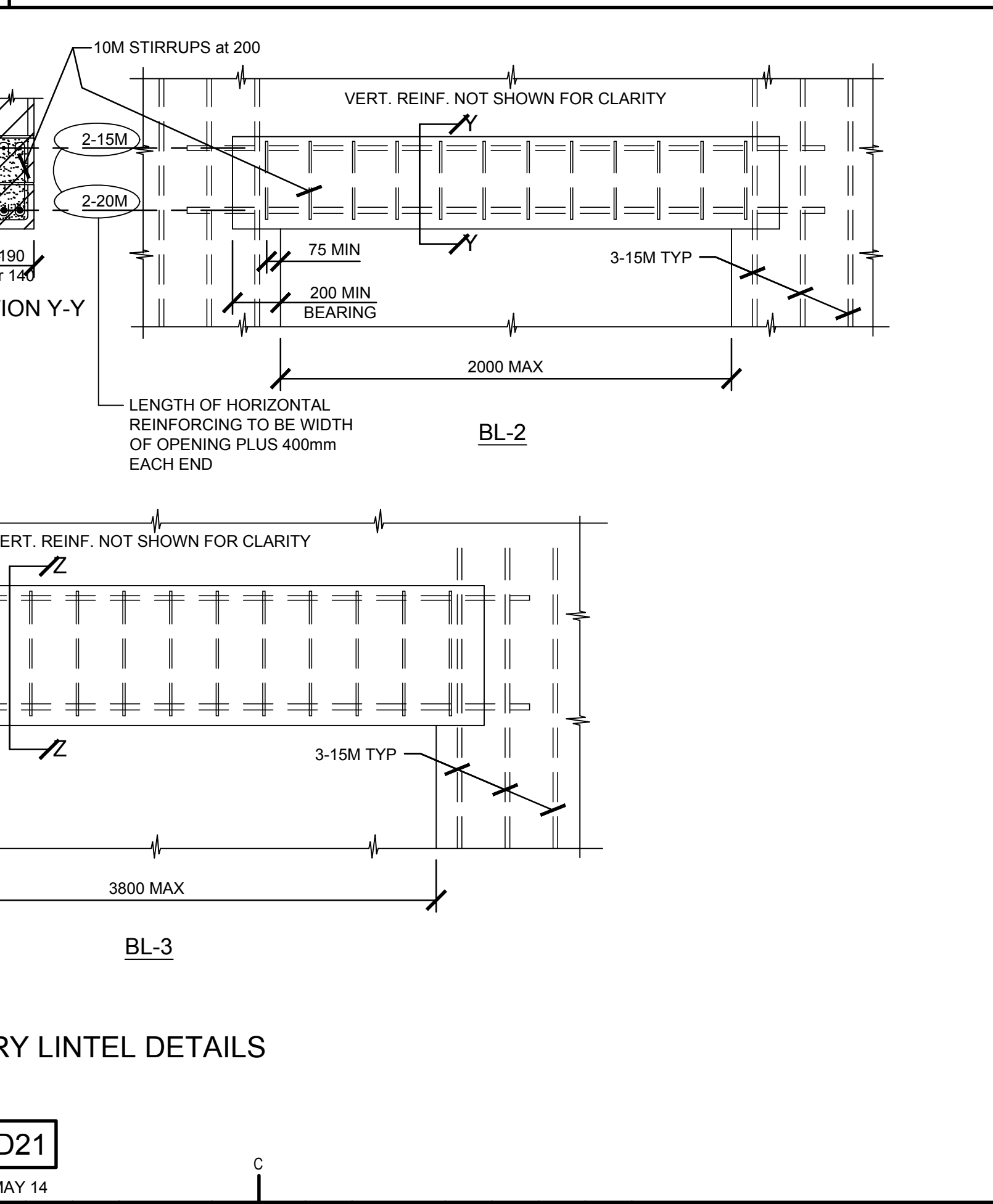
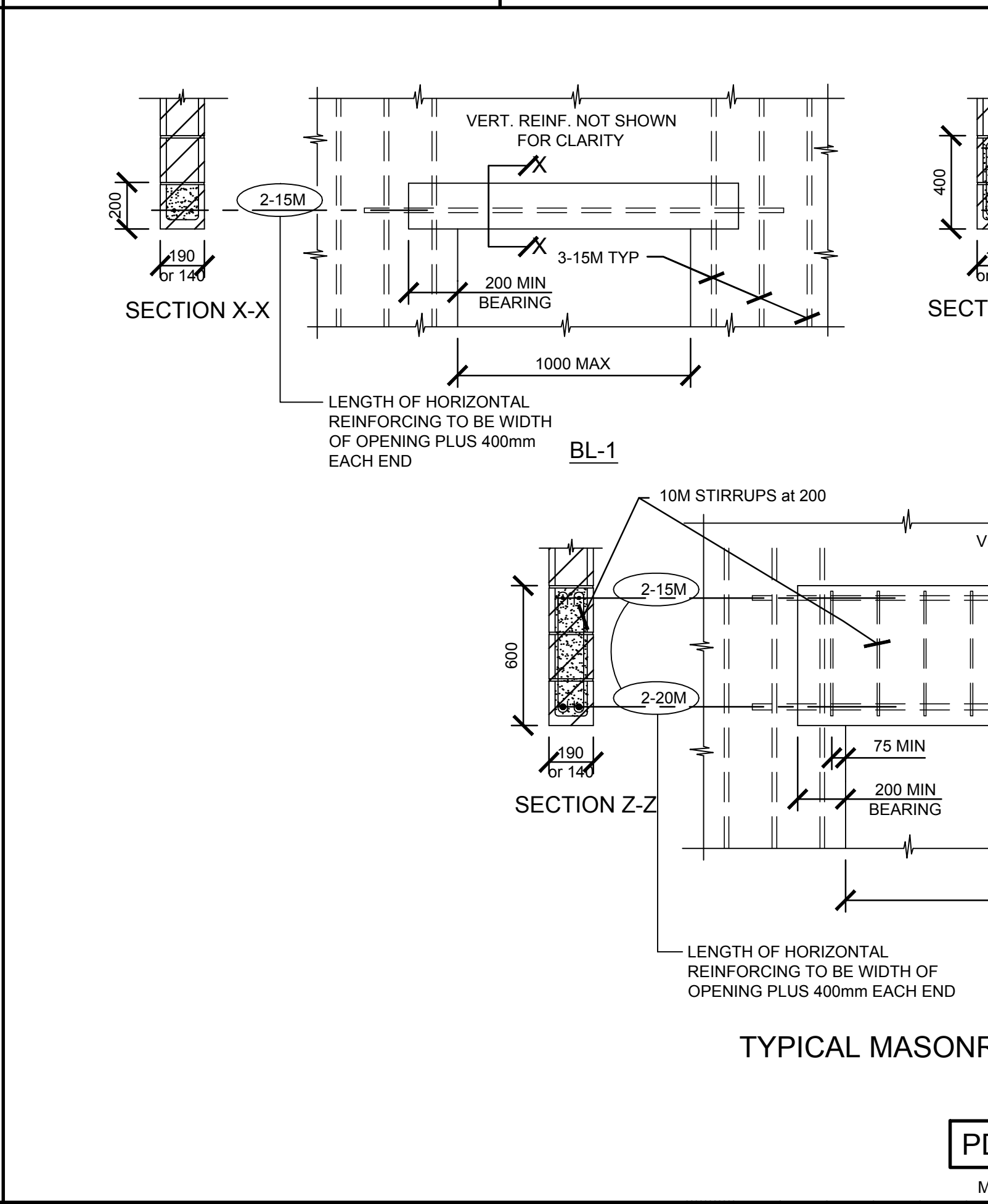
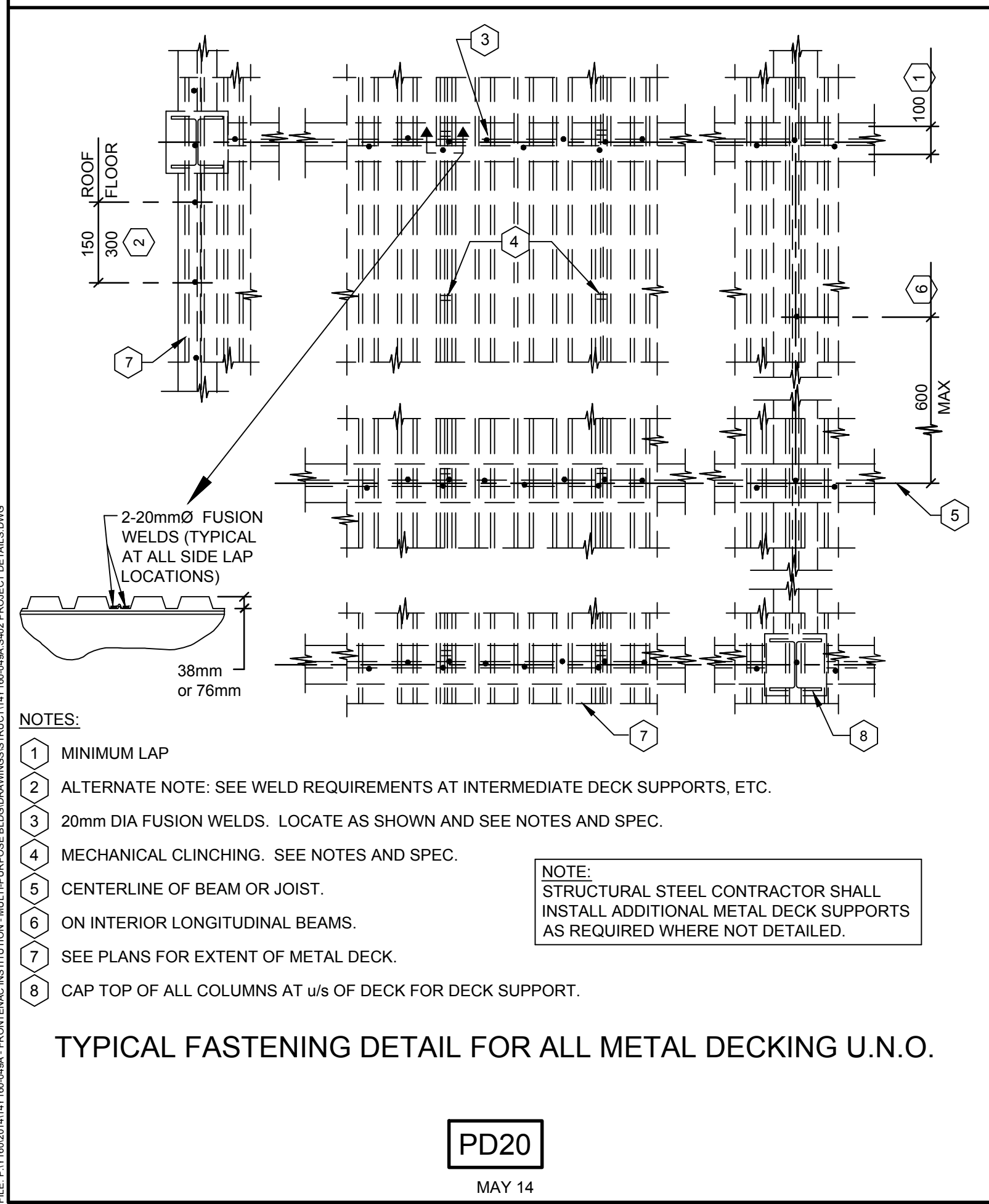
MASONRY WALL REINFORCING SCHEDULE

WALL DESCRIPTION (mm)	HORIZONTAL JOINT REINFORCING		VERTICAL REINFORCING	
	SPACING	TYPE	SPACING	BAR
190 BLOCKWALL PARTITION	400 c/c	2-4.76 mm SIDE RODS WITH 3.66 mm CONTINUOUS DIAGONAL CROSS RODS (TRUSS PATTERN)	1200	15M

1. SEE ARCH FOR LOCATION OF ALL MASONRY WALLS.

NOTE:
1. VERTICAL REINFORCING IS MINIMUM.
2. PROVIDE VERTICAL REINFORCING AT ENDS OF WALLS AND CORNERS.
3. ADDITIONAL VERTICAL REINFORCING IS REQ'D AT EACH SIDE OF OPENINGS, ETC.
4. DOWELS FOR MASONRY ARE TO MATCH ALL VERTICAL REINFORCING PER THIS SCHEDULE.

PD17
MAY 14



Public Works and Government Services Canada / Travaux publics et Services gouvernementaux Canada

Real Property Operations Branch
Real Property Operations Solutions
Direction générale des opérations immobilières
Solutions - Opérations immobilières

Project Delivery & Professional and Technical Services
Exécution de projets et Services experts/conseils techniques

Watson MacEwen Teramura Architects
400-116 Lisgar Street
Ottawa, ON K2P 0C2
1 613.232.0330
1 613.232.6293

Structural Engineers
Helsall Associates
4001-210 Gladstone Avenue
Ottawa, ON K2P 0Y6
613.237.2462
14Y160-049A

Mechanical / Electrical Eng.
Bouhilette Parizeau & Associates
100 - 1960 Robertson Road
Ottawa, ON K2H 5B9
613.596.8454

Civil Engineers
WSP Group
201-1224 Gardiners Road
Kingston, Ontario K7P 0G2
613.634.7373

IT-Telecommunications
The Attan Group
208-1680 Woodward Drive
Ottawa, ON K2C 3R7
613.739.9424

key plan plan-c6

stamp scbau

14Y160-049A

REVISIONS

revision	description	date
01	ISSUED FOR TENDER	15/03/26

NOTES:
A detail no. du detail
B location drawing no. sur dessin no.
C drawing no. dessin no.

project project

**CSC MULTI-PURPOSE BUILDING
CBI MINIMUM INSTITUTION (FRONTENAC)**
KINGSTON, ONTARIO

drawing dessin

PROJECT DETAILS

designed LUF conçu
date 2014/04/22 (yyyy/mm/dd)

drawn PDM dessiné
date 2014/04/22 (yyyy/mm/dd)

reviewed LUF examiné
date 2015/01/30 (yyyy/mm/dd)

approved LUF approuvé
date 2015/01/30 (yyyy/mm/dd)

Tender DUNCAN PARKER Submission

Project Manager Administrateur de projets
project no. no. du projet
R.055776.001

drawing no. no. du dessin
S402

SCALE: N.T.S.