

Fisheries and Oceans
Canadian Coast Guard

Pêches et Océans
Garde Côtière Canadienne

Canada

EQUIPMENT SHELTER RENOVATIONS

PORT CALEDONIA/ST. COLUMA/EDDY POINT/FOX ISLAND
NOVA SCOTIA

F6839-175056

DATE: JUNE 2017

OWNER:
DEPARTMENT OF FISHERIES & OCEANS,
CANADIAN COAST GUARD
MARITIME & CIVIL INFRASTRUCTURE

DRAWING LIST

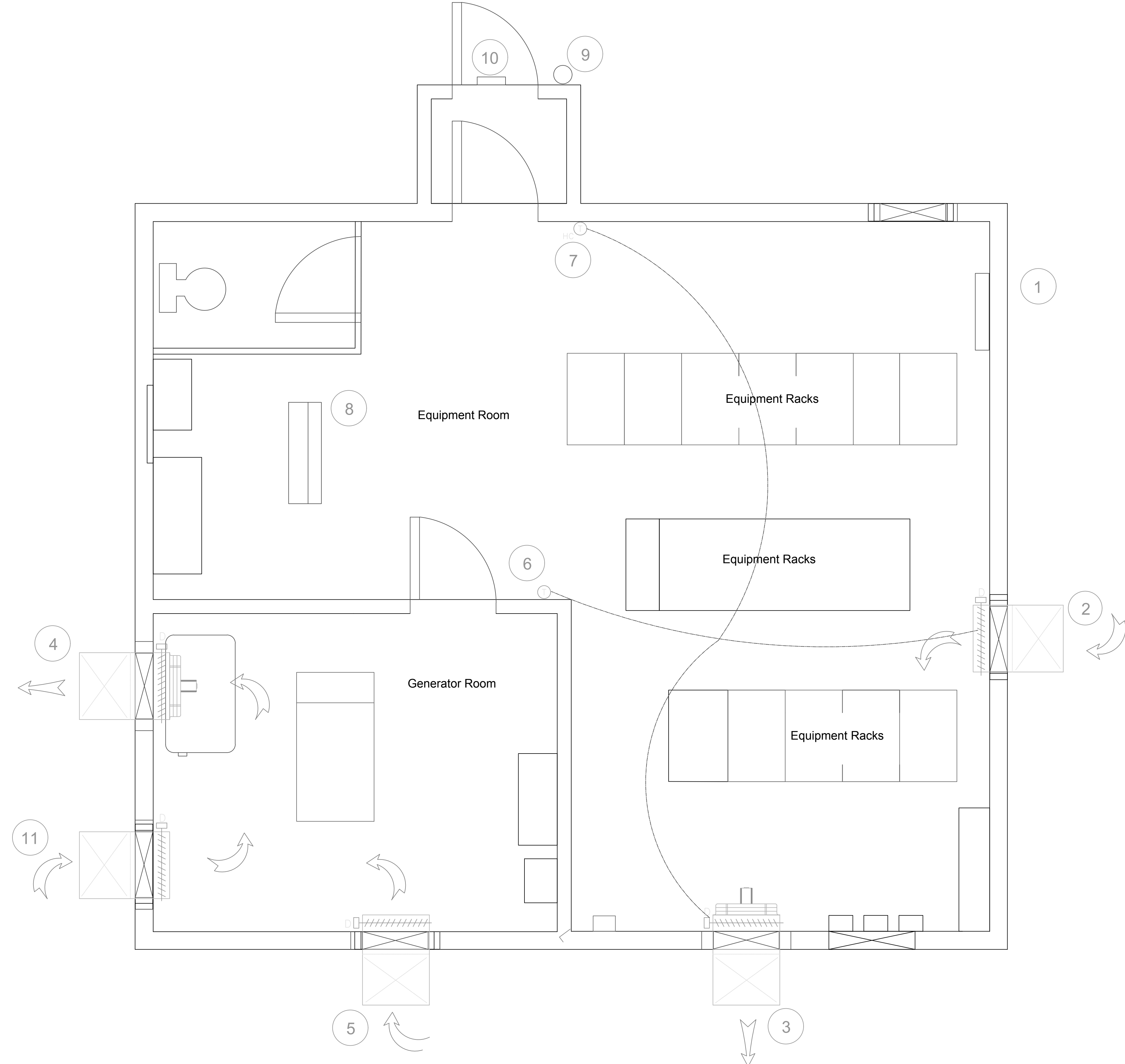
SITE	TITLE	DATE	REVISION
<u>PORT CALEDONIA</u>			
DRAWING NO.			
11J0401A00701	DEMOLITION PLAN	JUN 28, 2017	0
11J0401A00702	NEW CONSTRUCTION	JUN 28, 2017	0
11J0401A00703	DETAILS	JUN 28, 2017	0
11J0401A00704	NOTES	JUN 28, 2017	0
<u>ST. COLUMA</u>			
DRAWING NO.			
11F1501A00901	DEMOLITION PLAN	JUN 28, 2017	0
11F1501A00902	NEW CONSTRUCTION	JUN 28, 2017	0
11F1501A00903	DETAILS	JUN 28, 2017	0
11F1501A00904	NOTES	JUN 28, 2017	0
<u>EDDY POINT</u>			
DRAWING NO.			
11F0601A00501	DEMOLITION PLAN	JUN 28, 2017	0
11F0601A00502	NEW CONSTRUCTION	JUN 28, 2017	0
11F0601A00503	DETAILS	JUN 28, 2017	0
11F0601A00504	NOTES	JUN 28, 2017	0
<u>FOX ISLAND</u>			
DRAWING NO.			
11F0602A01301	DEMOLITION PLAN	JUN 28, 2017	0
11F0602A01302	NEW CONSTRUCTION	JUN 28, 2017	0
11F0602A01303	DETAILS	JUN 28, 2017	0
11F0602A01304	NOTES	JUN 28, 2017	0

Vendor Information / Sous-traitant

General Notes:

- 1) Do not scale from drawings.
- 2) All layouts shown on the contract drawings are approximate and shall be verified by contractor on-site prior to commencement of work.
- 3) The owner shall retain first right of refusal of ALL material and equipment slated for demolition and/or removal.

List of Equipment Associated Conduit & Wire To Be Removed	
Item No.	Description
1	Fire alarm panel and components
2	F/A Intake Louver. (Seal hole to match existing wall envelope)
3	Exhaust louver, damper, and motor
4	Exhaust louver, damper, and motor
5	F/A Intake louver, damper and motor
6	Thermostat (Heat)
7	Thermostat (Cool)
8	Surface mounted light fixtures (Qty.13)
9	Exterior Light
10	Exterior Light (Seal hole to match existing wall envelope)
11	F/A Intake Louver. (Seal hole to match existing wall envelope)

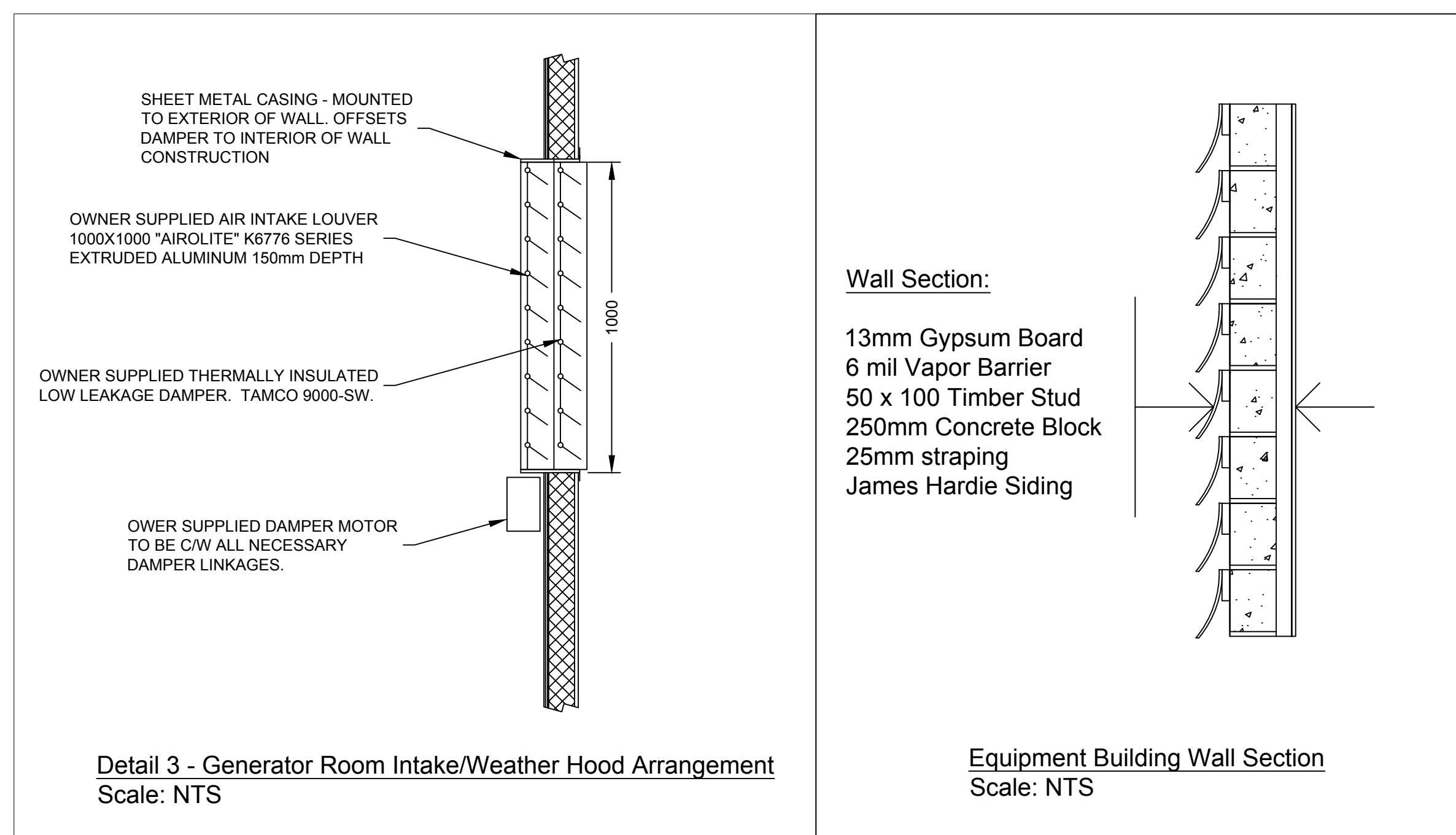
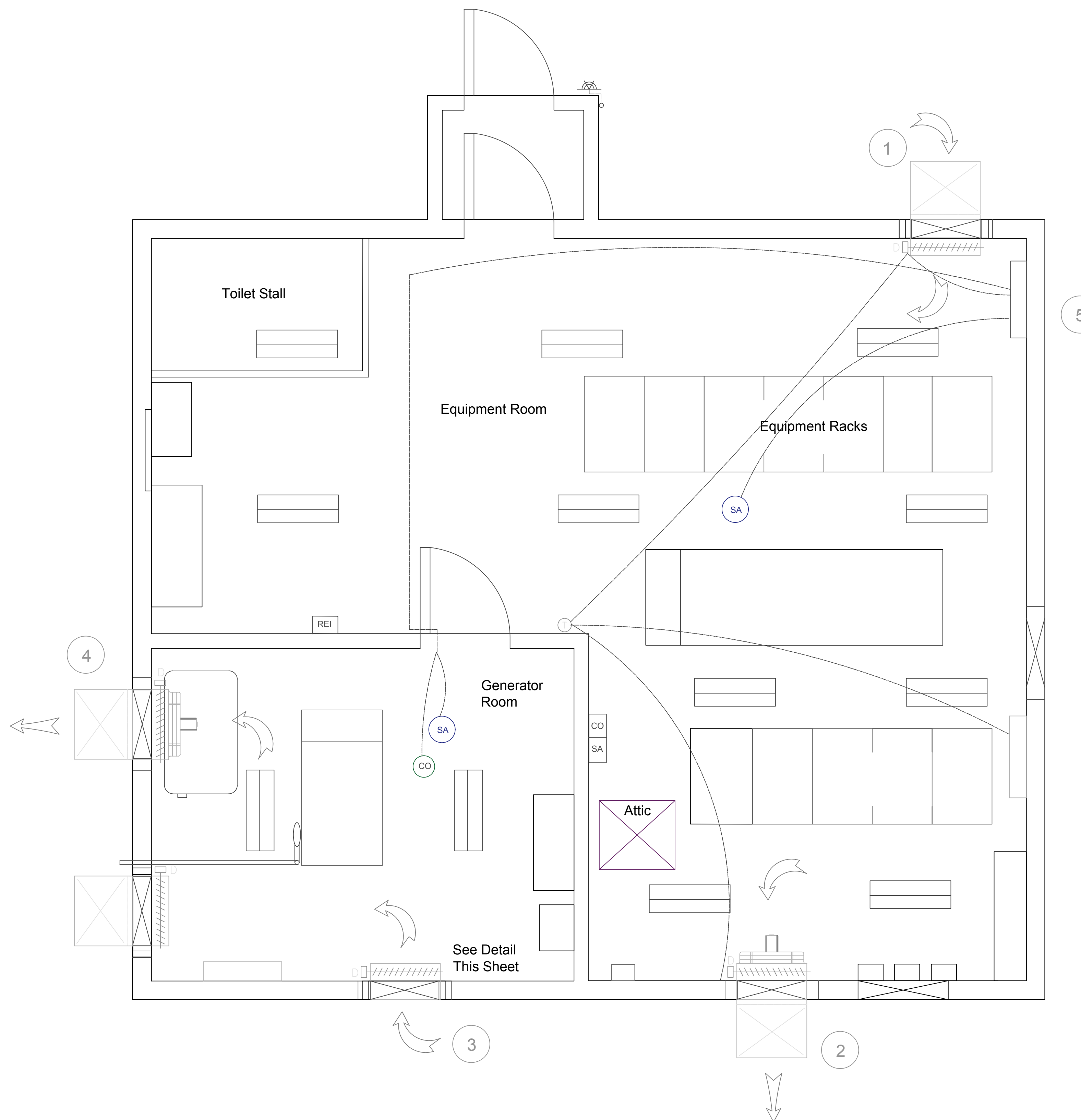


Existing Floor Plan - Demolition
Scale: 1:25

0	DESCRIPTION	BY	yyyy-mm-dd
rev	description	by	date
Asset - Actif			
Port Caledonia, NS			
MCTS - T2209.00			
Drawing - Dessin			
Demolition Plan			
designed - conception			date
drawn - dessiné			date
A.SLANEY			2017-04-12
checked - vérifié			date
CHECKED			YYYY.MM.DD
approved - approuvé			date
APPROVED			YYYY.MM.DD
CCG ref. no. - no. réf. GCC			scale - échelle
REF NO / PROJ NO / FILE NO			N/A
drawing no. - no. dessin			sheet-feuille
11J0401A00701			01/04 0

D
C
B
A

Equipment Legend	
Item	Description
	Install owner supplied exterior LED light
	Install owner supplied surface mount lighting
	Install owner supplied Heat/Cool thermostat (Control wiring as per detail 4)
	Install owner supplied smoke alarms (2)
	Install owner supplied relays. (wiring as per detail 5)
	Supply & install power loss relay. (Wiring as per detail 6)
	Install owner supplied carbon monoxide detector
	Install equipment building intake as per detail 1
	Install equipment building exhaust as per detail 2
	Install generator room intake as per notes this drawing.
	Install generator room exhaust as per detail 2
	Supply & install security system wiring termination panel as per detail 3.



Vendor Information / Sous-traitant

Notes:

- 1) Access to attic identified in floor plan as "Attic".
- 2) Contractor to confirm critical items by site visit.
- 3) Contractor to re-attach existing ground connectors following new equipment installation.
- 4) Locations of new equipment to be confirmed in the field.
- 5) Painting as per Notes for all areas affected by project activities.

REV	DESCRIPTION	BY	DATE
0	DESCRIPTION	BY	yyyy-mm-dd
rev	description	by	date

Asset - Actif

Port Caledonia, NS
MCTS - T2209.00

Drawing - Dessin
New Construction

designed - conception	date
drawn - dessiné	date
A. SLANEY	2017-04-13
checked - vérifié	date
CHECKED	YYYY.MM.DD
approved - approuvé	date
APPROVED	YYYY.MM.DD
CCG ref. no. - no. réf. GCC	scale - échelle
REF NO / PROJ NO / FILE NO	N/A
drawing no. - no. dessin	sheet/feuille
11J0401A00702	02/04 0

D

C

B

A

11J0401A00702

6

5

4

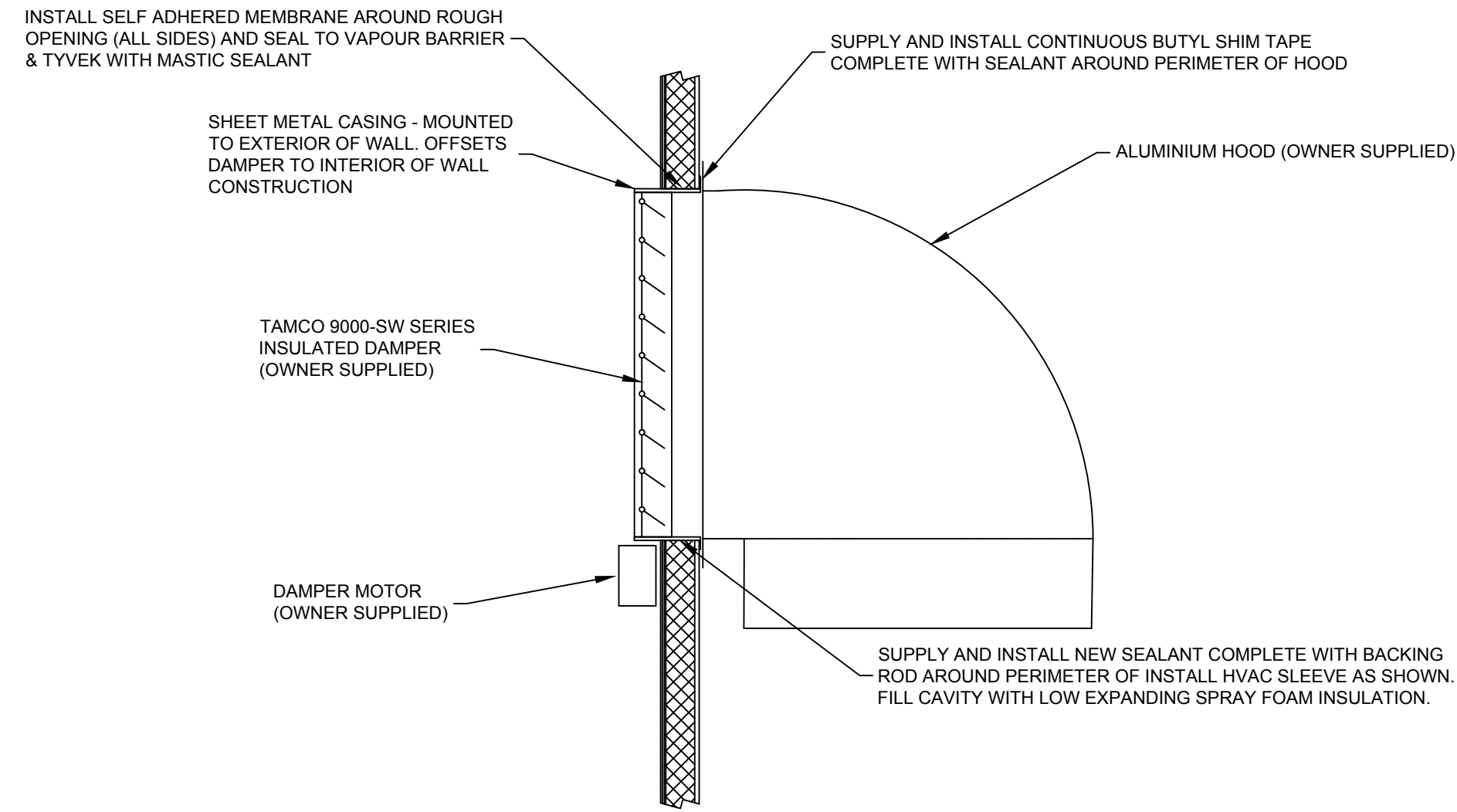
2

1

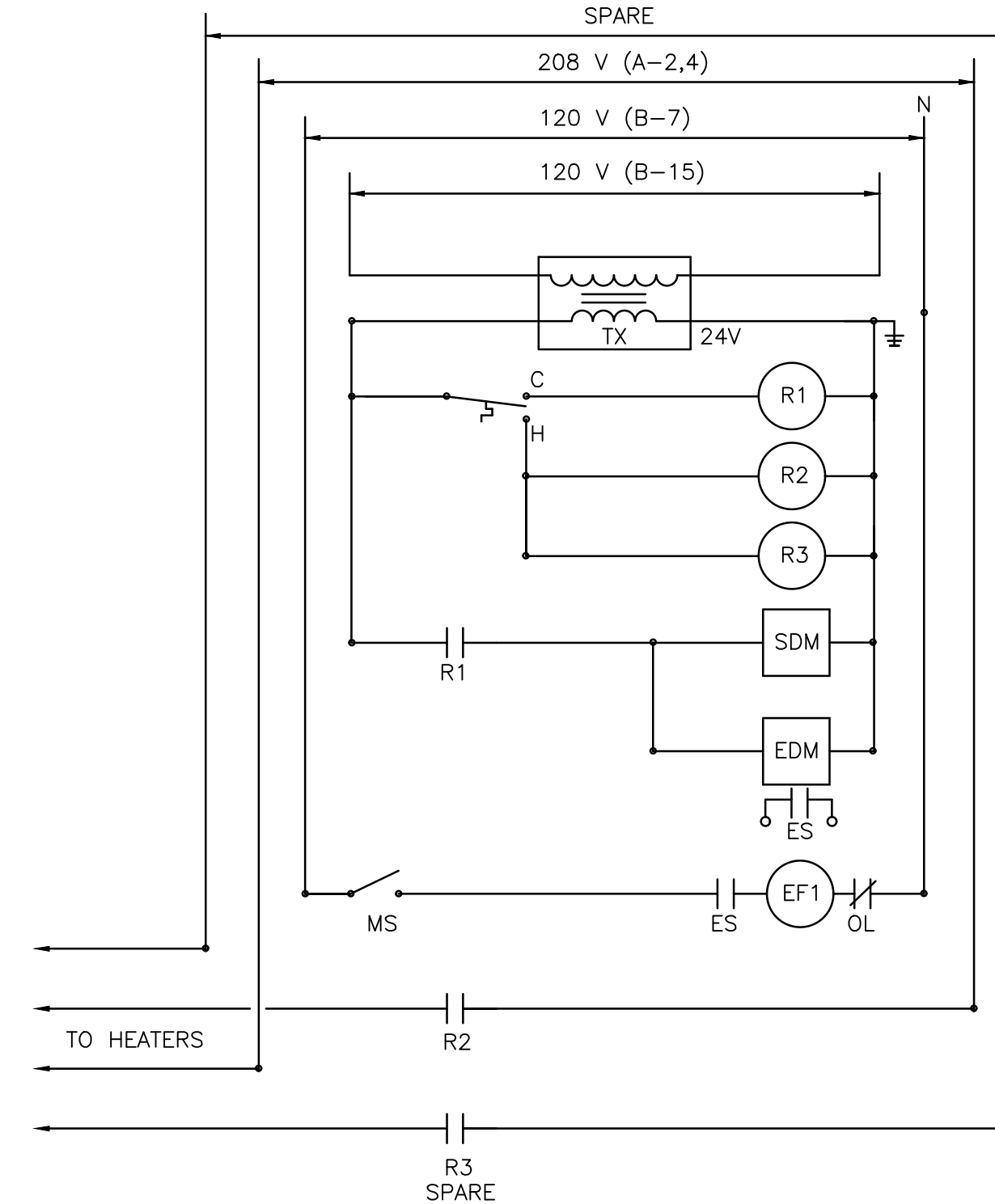
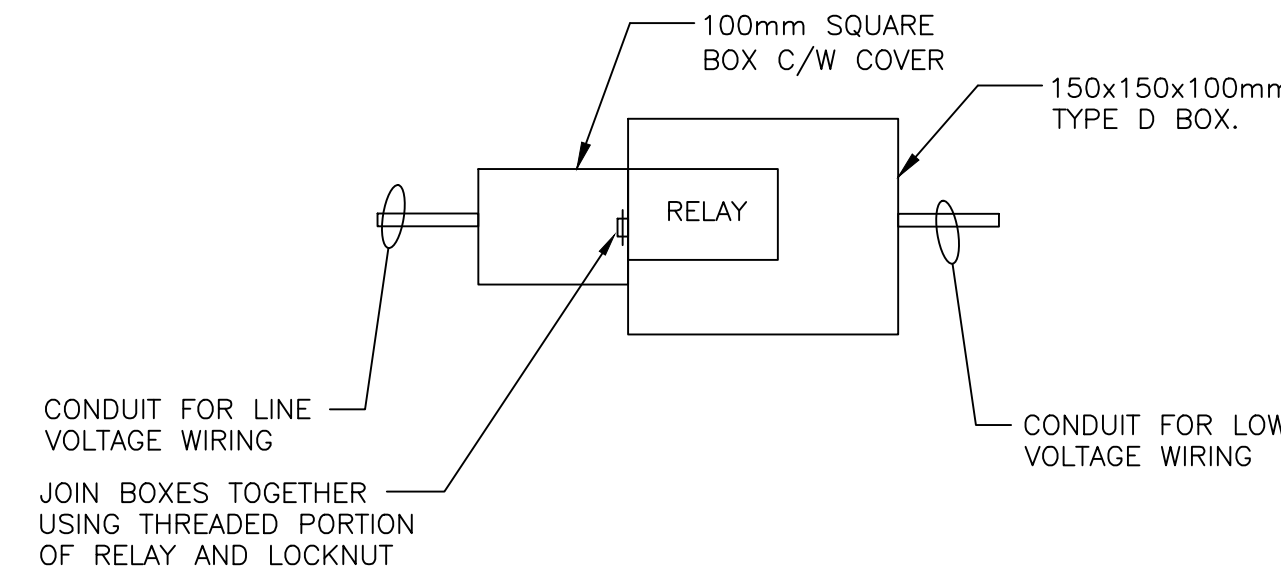
Vendor Information / Sous-traitant

Notes:

- 1) All holes, hoods, and louvers must be installed on a level plane and be centered to the corresponding hole they are to be installed in.

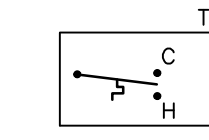


Detail 1 - Typical Intake/Weather Hood Arrangement
Scale: NTS



LEGEND:

- ES - END SWITCH LOCATED AT EXHAUST DAMPER.
- EF1 - EXHAUST FAN.
- SDM - SUPPLY DAMPER MOTOR.
- EDM - EXHAUST DAMPER MOTOR.
- OL - OVERLOAD PROTECTION IN STARTER.



HEATING/COOLING THERMOSTAT SUPPLIED BY OWNER AND CONTRACTOR INSTALLED. COOLING ON AT 28 DEGREES C. HEATING ON AT 10 DEGREES C.



RELAY 600V, 35AMP CONTACT, 2 POLE 24 VOLT COIL C/W TYPE 1 GENERAL PURPOSE ENCLOSURE EQUAL TO BRADLEY TYPE 700PH201.



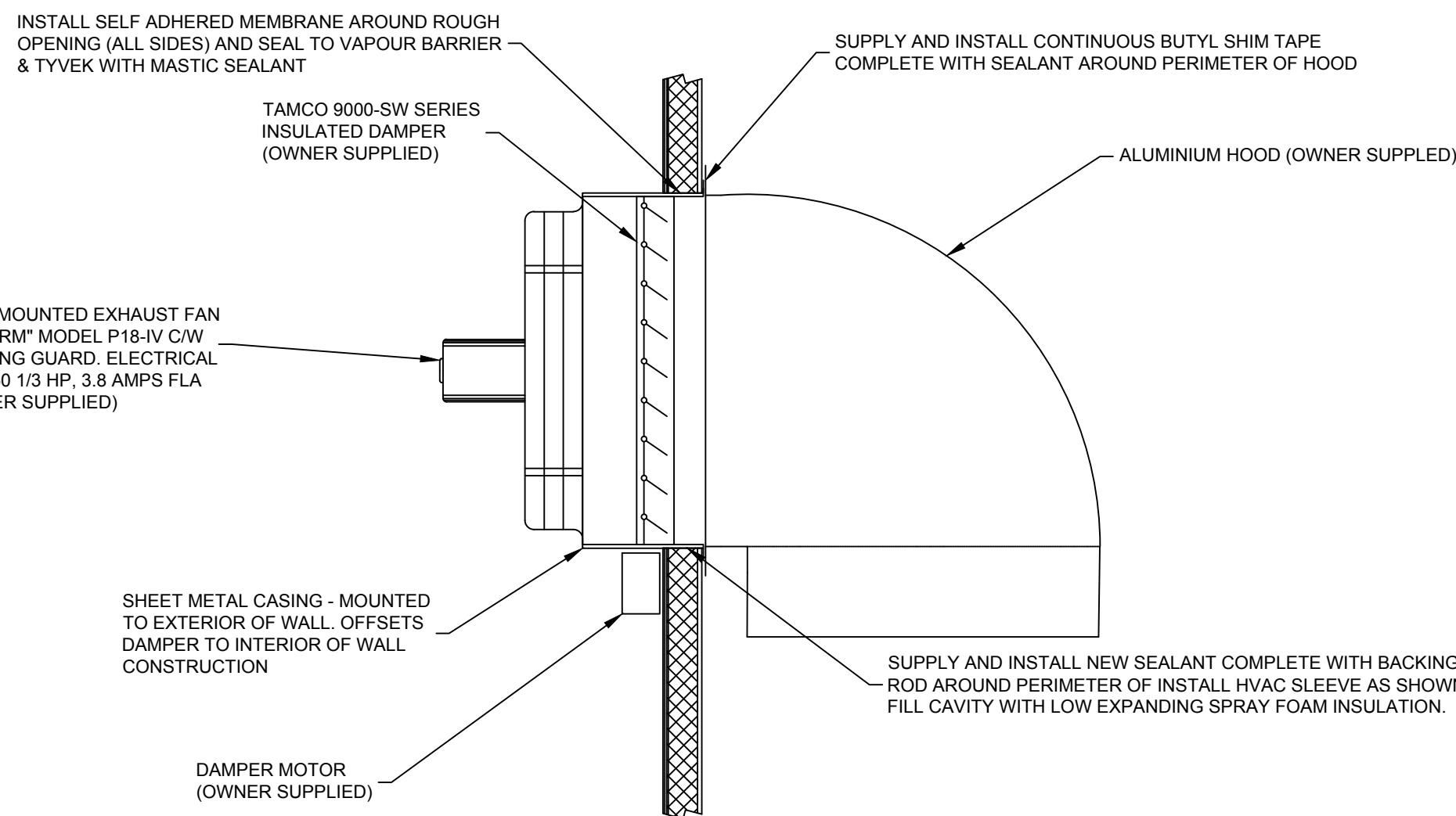
RELAY, 24V COIL, 2 POLE, 10A, 208V CONTACTS. MOUNT USING 150x150x100mm BOX AS PER THIS DETAIL.



SINGLE PHASE ENCLOSED CONTROL TRANSFORMER, 120 VOLT PRIMARY, 24 VOLT SECONDARY, 100VA EQUAL TO HAMMOND EG2G. LOCATE NEXT TO STARTER FOR EF-1.

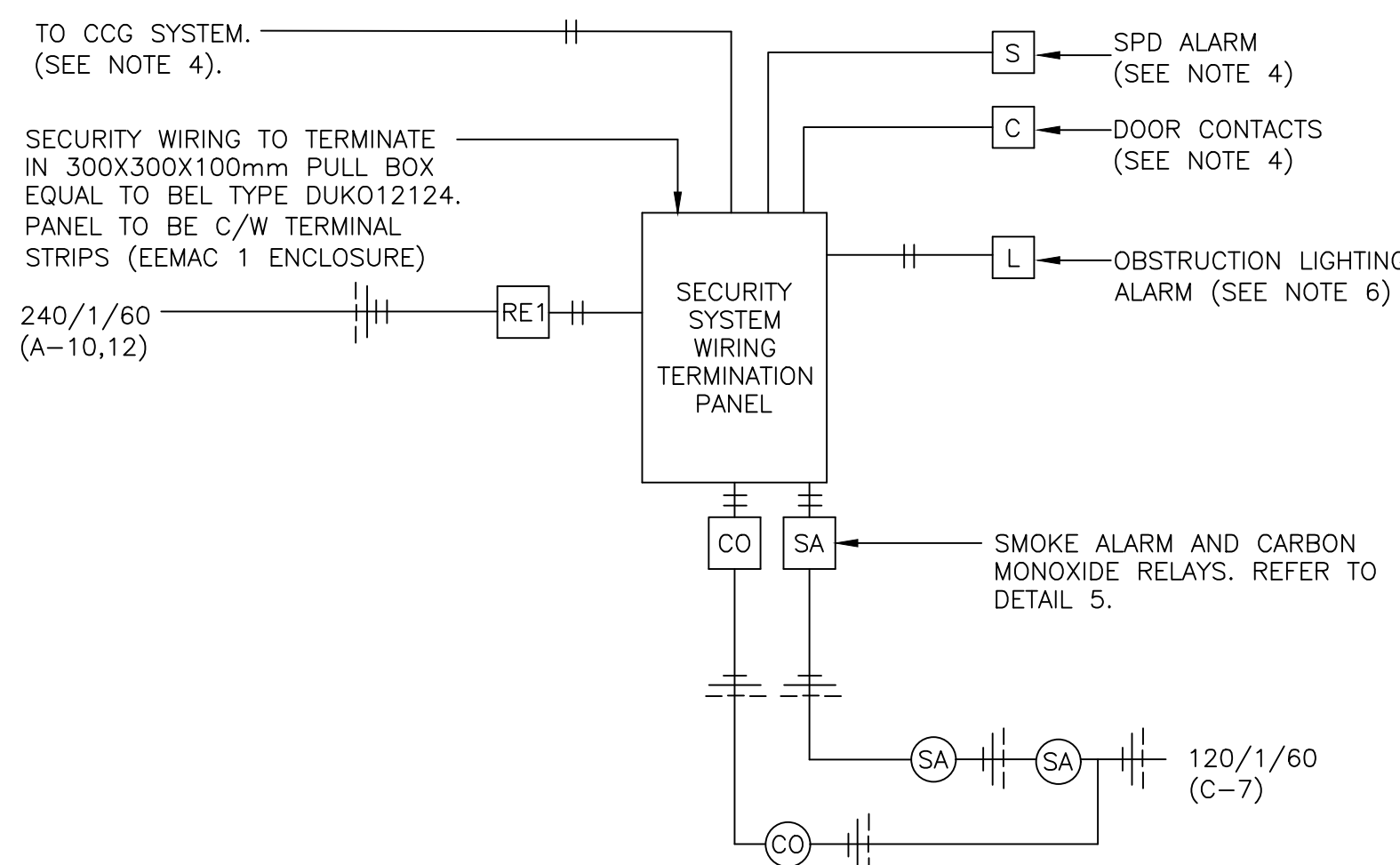


MANUAL MOTOR STARTER EQUAL TO ALLEN BRADLEY BULLETIN 600TAX216 C/W 600-N1 LOCKING ATTACHMENT.



Detail 2 - Typical Panel Fan/Weather Hood Arrangement
Scale: NTS

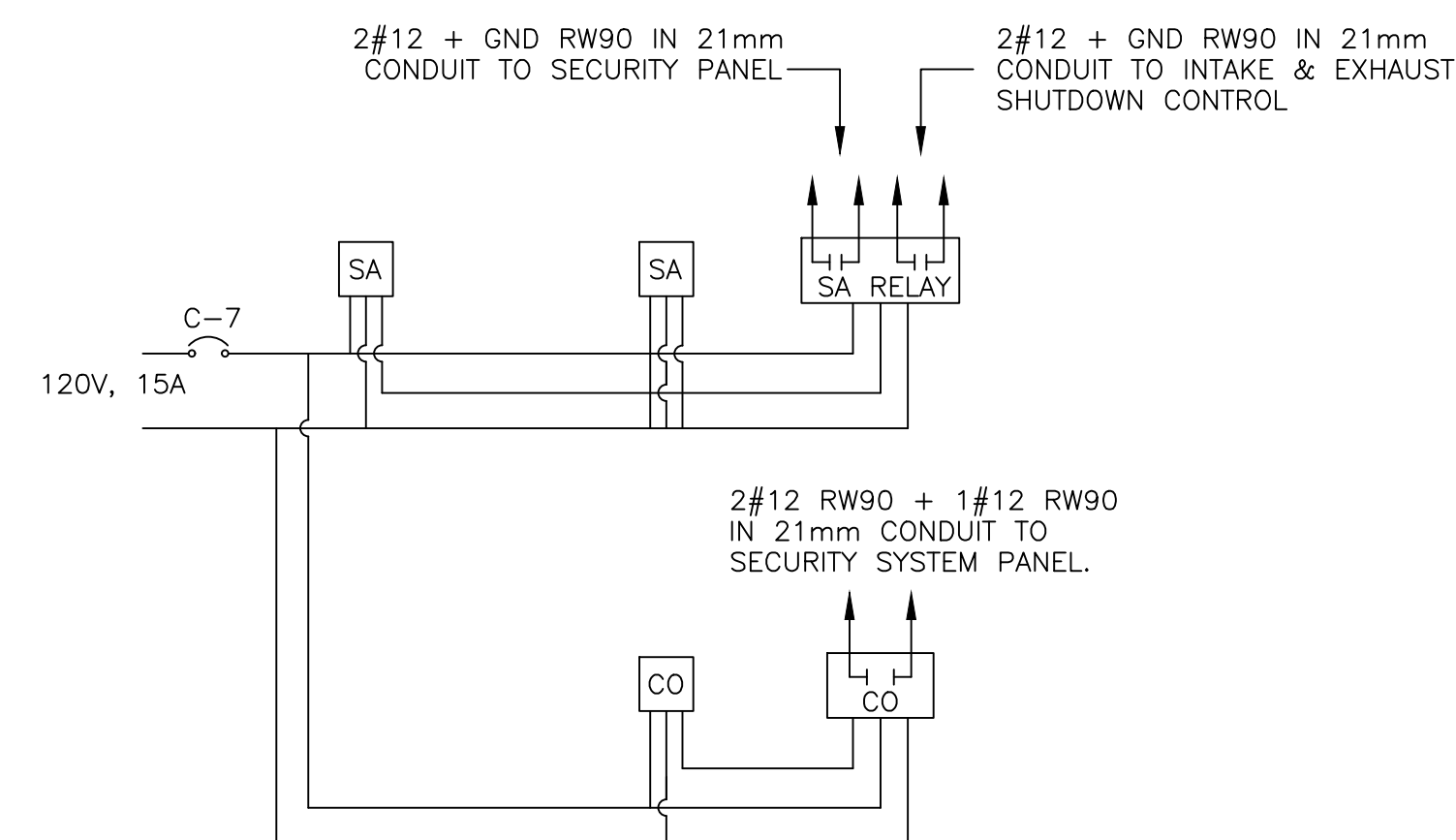
Detail 4 - Equipment Room Heating/Cooling Control Diagram
Scale: NTS



Detail 3 - Security System Riser Diagram
Scale: NTS

NOTES

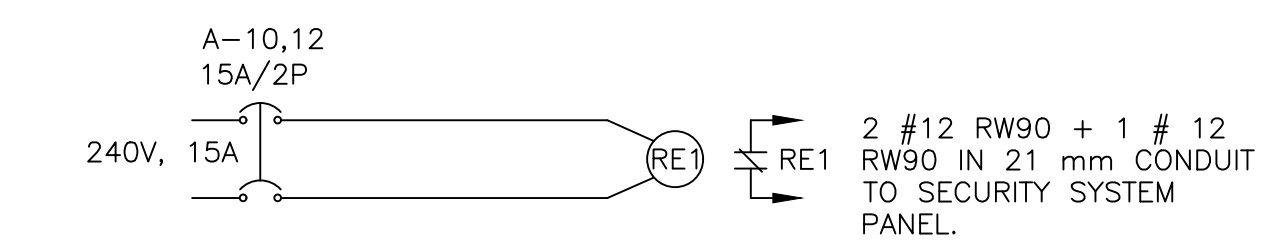
1. PROVIDE LABELS FOR ALL CONTACTS.
2. TERMINAL BLOCKS TO BE EQUAL TO WEIDMULLER TYPE SAK10.
3. TIE THE SMOKE & CO ALARMS IN PARALLEL AT SECURITY TERMINATION PANEL.
4. CCG SYSTEM SUPPLIED AND INSTALLED BY OWNER. PROVIDE CONDUIT AND WIRE UNDER THIS CONTRACT. COORDINATE WITH OWNER BEFORE ROUGHING-IN.
5. WIRING TO BE SUPPLIED AND INSTALLED UNDER THIS CONTRACT.
6. PROVIDE ALL NECESSARY HARDWARE TO FACILITATE INSTALLATION OF DEVICES.



SA - 120 VOLT SMOKE ALARM C/W RM3A RELAY MODULE. (OWNER SUPPLIED)

CO - 120 VOLT CARBON MONOXIDE DETECTOR C/W RM3A RELAY MODULE. (OWNER SUPPLIED)

Detail 5 - Wiring Diagram: Smoke & Carbon Monoxide Detector
Scale: NTS



RE1 - RELAY 240 VOLT COIL 10A 600V CONTACTS, 2 POLE, EQUAL TO ALLEN BRADLEY BULLETIN 700P201. MOUNT IN GENERAL PURPOSE ENCLOSURE.

Detail 6 - Wiring Diagram: Power Loss Relay
Scale: NTS

0	DESCRIPTION	BY	yyyy-mm-dd
rev	description	by	date
Asset - Actif			
Port Caledonia, NS			
MCTS - T2209.00			
Drawing - Dessin			
Details			
designed - conception			date
drawn - dessin			date
checked - vérifié			date
CHECKED			YYYY.MM.DD
approved - approuvé			date
APPROVED			YYYY.MM.DD
CCG ref. no. - no. ref. GCC			scale - échelle
REF NO / PROJ NO / FILE NO			N/A
drawing no. - no. dessin			sheet-feuille rev-rév
11J0401A00703			03/04 0

GENERAL NOTES:

- ALL WORKMANSHIP, EXCEPT WHERE NOTED OTHERWISE SHALL BE IN ACCORDANCE WITH THE REQUIREMENTS OF THE NATIONAL BUILDING CODE OF CANADA (LATEST EDITION)
- VERIFY ALL DIMENSIONS AND REPORT DISCREPANCIES BEFORE PROCEEDING WITH THE WORK. DO NOT SCALE FROM DRAWINGS.
- MAKE ADEQUATE PROVISIONS FOR CONSTRUCTION STRESSES, WEATHER PROTECTION AND FOR SUFFICIENT TEMPORARY BRACING AND SHORING TO KEEP THE STRUCTURE PLUMB AND LEVEL DURING ALL PHASES OF WORK.
- IT IS THE RESPONSIBILITY OF THE CONTRACTOR TO SAFEGUARD ALL EXISTING STRUCTURES AFFECTED BY THIS CONSTRUCTION.
- ALL REQUIREMENTS FOR MECHANICAL AND ELECTRICAL AND ANY OTHER TRADES OR SERVICES AFFECTING THE STRUCTURE SHALL BE ESTABLISHED BY THE GENERAL CONTRACTOR IN CONSULTATION WITH CORRESPONDING MANUFACTURERS OR SUPPLIERS AND THE ENGINEER.

PAINTING NOTES:

- ALL WORK TO CONFORM TO LATEST MPI REQUIREMENTS FOR INTERIOR PAINTING WORK INCLUDING PREPARATION AND PRIMING.
- STANDARD OF ACCEPTANCE AS FOLLOWS:
 - WALLS: NO DEFECTS VISIBLE FROM A DISTANCE OF 1000mm AT 90 DEGREES OF SURFACE.
 - CEILINGS: NO DEFECTS VISIBLE FROM FLOOR AT 45 DEGREES TO SURFACE WHEN VIEWED FROM FINAL LIGHTING SOURCE.
 - FINAL COAT TO EXHIBIT UNIFORMITY OF COLOR AND UNIFORMITY OF SHEEN ACROSS FULL SURFACE AREA.
- SUBMIT PRODUCT DATA AND MANUFACTURE'S INSTALLATION/APPLICATION FOR EACH PAINT AND COATING PRODUCT TO BE USED.
- PAINT MATERIALS SHALL BE PRODUCTS OF A SINGLE MANUFACTURER.
- ONLY QUALIFIED PRODUCTS WITH E2 "ENVIRONMENTALLY FRIENDLY" RATING ARE ACCEPTABLE FOR USE ON THIS PROJECT.
- APPLICATION ACCORDING TO MANUFACTURE'S INSTRUCTIONS.
- ENGINEER TO PROVIDE COLOR SCHEME FOLLOWING CONTRACT AWARD.
- UPON COMPLETION, SUBMIT RECORDS OF PRODUCTS USED. USE PRODUCTS IN RELATION TO FINISH SYSTEM AND INCLUDE THE FOLLOWING:
 - PRODUCT NAME, TYPE AND USE
 - MANUFACTURER'S PRODUCT NUMBER
 - COLOR NUMBER
 - MPI ENVIRONMENTALLY FRIENDLY CLASSIFICATION SYSTEM RATING
 - MANUFACTURER'S MATERIAL SAFETY DATA SHEETS (MSDS)
- SITE REQUIREMENTS
 - HEATING, VENTILATION AND LIGHTING:
 - PERFORM NO PAINTING WORK UNLESS ADEQUATE AND CONTINUOUS VENTILATION AND SUFFICIENT HEATING FACILITIES ARE IN PLACE TO MAINTAIN AMBIENT AIR AND SUBSTRATE TEMPERATURES FOR 24 HOURS BEFORE, DURING AND AFTER PAINT APPLICATION UNTIL PAINT HAS CURED SUFFICIENTLY.
 - WHERE REQUIRED, PROVIDE CONTINUOUS VENTILATION FOR SEVEN DAYS AFTER COMPLETE APPLICATION OF PAINT.
 - PERFORM NO PAINTING WORK UNLESS A MINIMUM LIGHTING LEVEL OF 323 LUXC IS PROVIDED ON SURFACES TO BE PAINTED. ADEQUATE LIGHTING FACILITIES SHALL BE PROVIDED BY GENERAL CONTRACTOR.
 - TEMPERATURE, HUMIDITY AND SUBSTRATE MOISTURE CONTENT LEVELS:
 - PERFORM NO PAINTING WORK WHEN THE MINIMUM MOISTURE CONTENT OF THE SUBSTRATE EXCEEDS 15% FOR WOOD.
 - CONDUCT MOISTURE TESTS USING A PROPERLY CALIBRATED ELECTRONIC MOISTURE METER.
 - SURFACE AND ENVIRONMENTAL CONDITIONS
 - APPLY PAINT FINISH ONLY IN AREAS WHERE DUST IS NOT LONGER BEING GENERATED BY RELATED CONSTRUCTION OPERATIONS OR WHEN WIND OR VENTILATION CONDITIONS ARE SUCH THAT AIRBORNE PARTICLES WILL NOT AFFECT QUALITY OF FINISHED SURFACE.
 - APPLY PAINT ONLY TO ADEQUATLY PREPARED SURFACES AND TO SURFACES WITHIN MOISTURE LIMITS NOTED HEREIN.
 - APPLY PAINT ONLY WHEN PREVIOUS COAT OF PAINT IS DRY OR ADEQUATELY CURED.
 - ADDITIONAL INTERIOR APPLICATION REQUIREMENTS
 - APPLY PAINT FINISHES ONLY WHEN TEMPERATURE AT LOCATION OF INSTALLATION CAN BE SATISFACTORY WITHIN MANUFACTURER'S RECOMMENDATIONS.

ELECTRICAL NOTES:

- PROVIDE ALL LABOR, MATERIAL, EQUIPMENT AND SERVICES TO COMPLETE ELECTRICAL INSTALLATION IN ACCORDANCE WITH THE DESIGN AND SPECIFICATIONS AND PRESENT IT FULLY OPERATIONAL TO THE SATISFACTION OF THE ENGINEER.
- CARRY OUT WORK IN ACCORDANCE WITH ALL APPLICABLE CODES, STANDARDS, ORDINANCES AND HEALTH & SAFETY RULES.
- PROVIDE ALL CUTTING AND PATCHING NECESSARY FOR THE INSTALLATION OF THE ELECTRICAL WORK. ANY DAMAGE DONE TO THE WORK ALREADY IN PLACE BY REASON OF THIS WORK SHALL BE REPAIRED AT THE CONTRACTOR'S EXPENSE BY A QUALIFIED TRADESPERSON EXPERIENCED IN SUCH WORK. PATCHING SHALL BE UNIFORM IN APPEARANCE AND SHALL MATCH THE SURROUNDING SURFACE. DO NOT CUT STRUCTURAL MEMBERS WITHOUT APPROVAL OF DEPARTMENTAL REPRESENTATIVE.
- FABRICATION AND INSTALLATION OF THE COMPLETE ELECTRICAL SYSTEMS SHALL BE DONE IN A FIRST CLASS WORKMANSHIP BY QUALIFIED PERSONNEL EXPERIENCED IN SUCH WORK AND SHALL SCHEDULE THE WORK IN AN ORDERLY MANNER SO AS NOT TO IMPEDE PROGRESS OR DISRUPT CCG SERVICES.
- AT THE COMPLETION OF THE ELECTRICAL INSTALLATION PROVIDE THREE SETS OF OPERATION AND MAINTENANCE MANUALS BOUND IN 3-RING HARD COVER BINDERS, DULY LABELED, CONTAINING A COMPLETE LIST OF REPLACEMENT EQUIPMENT.
- COMPLETE INSTALLATION SHALL BE GAURANTEED FOR A PERIOD OF ONE (1) YEAR AFTER THE DATE OF WRITTEN ACCEPTANCE OF THE INSTALLATIONS BY OWNER. ANY WORK, MATERIAL OR EQUIPMENT FOUND TO BE FAULTY DURING THAT PERIOD SHALL BE CORRECTED AT ONCE, UPON WRITTEN NOTIFICATION, AT THE EXPENSE OF THE CONTRACTOR.

MECHANICAL NOTES:

COMMISSIONING

- PROVIDE ALL NECESSARY LABOUR, MATERIALS, TOOLS AND EQUIPMENT FOR IMPLEMENTING ALL REQUIRED COMMISSIONING ACTIVITIES INCLUDING: ALL CHECKING, TESTING, ADJUSTING, AND FINE TUNING OF SYSTEM SET POINTS AND TO PUT SYSTEM INTO OPERATION.
- COMPLETE A SYSTEMATIC VERIFICATION PROCEDURE TO ENSURE THAT:
 - EQUIPMENT AND MATERIAL DELIVERED AND INSTALLED ARE IN ACCORDANCE WITH ALL APPLICABLE CODES, NORMAL GOOD PRACTICE, MANUFACTURE'S INSTALLATION GUIDELINES AND REQUIREMENTS OF THESE SPECIFICATIONS.
 - EQUIPMENT IS SAFE TO BE STARTED.
- COMPLETE A SYSTEMATIC VERIFICATION PROCEDURE TO ENSURE THAT EQUIPMENT AND SYSTEMS OPERATE SAFELY, EFFECIENTLY, AND IN GENERAL CONFORMITY WITH THE DESIGN INTENT INCLUDING:
 - VERIFYING OPERATING CONDITIONS,
 - VERIFYING PROPER OPERATION OF ALL SAFETY DEVICES,
 - VERIFYING CONTROL SYSTEM OPERATION,
 - VERIFYING SATISFACTORY EQUIPMENT OPERATING POINTS (FANS) AND MOTOR LOADINGS.
 - VERIFYING LINKAGE BETWEEN INTERACTING SYSTEMS.

CARE, OPERATION AND START-UP

- MANUFACTURES OR THEIR AGENTS TO UNDERTAKE EQUIPMENT START-UP WHERE REQUIRED BY THE SPECIFICATIONS OR WHERE REQUIRED BY THE EQUIPMENT MANUFACTURER AS A CONDITION OF WARRANTY. WHERE MANUFACTURER IS NOT REQUIRED TO DO START-UP, CARRY OUT IN ACCORDANCE WITH MANUFACTURER'S WRITTEN INSTRUCTIONS.
- INSTRUCT OPERATING PERSONNEL IN THE OPERATION, CARE, MAINTENANCE OF EQUIPMENT

HEATING, VENTILATION AND AIR CONDITIONING

1. PRODUCTS

- INTERIOR DUCTWORK SHALL BE FABRICATED FROM GALVANIZED STEEL TO ASTM A525 G90 DESIGNATION. METAL GAUGE SHALL BE IN ACCORDANCE WITH SMACNA STANDARDS.

2. EXECUTION

- INSTALL ALL EQUIPMENT IN ACCORDANCE WITH MANUFACTURER'S RECOMMENDATION.
- MANUFACTURE AND INSTALL ALL DUCTWORK IN ACCORDANCE WITH THE RECOMMENDATION WITH SMACNA.
- ALL DUCTWORK CONNECTION TO ISOLATED EQUIPMENT TO BE MADE USING 100mm FLEXIBLE CONNECTIONS.
- SEAL ALL JOINTS IN DUCTWORK.

CONTROL SYSTEMS

1. GENERAL

- PROVIDE ALL THERMOSTATS, SENSORS, ACTUATORS, CONTROLLER, OPERATORS AND ACCESSORIES AS REQUIRED FOR FULL OPERATIONAL SEQUENCE AS DESCRIBED HEREIN.

2. PRODUCTS

- WIRING: ALL WIRING TO BE IN ACCORDANCE WITH ELECTRICAL SPECIFICATION.

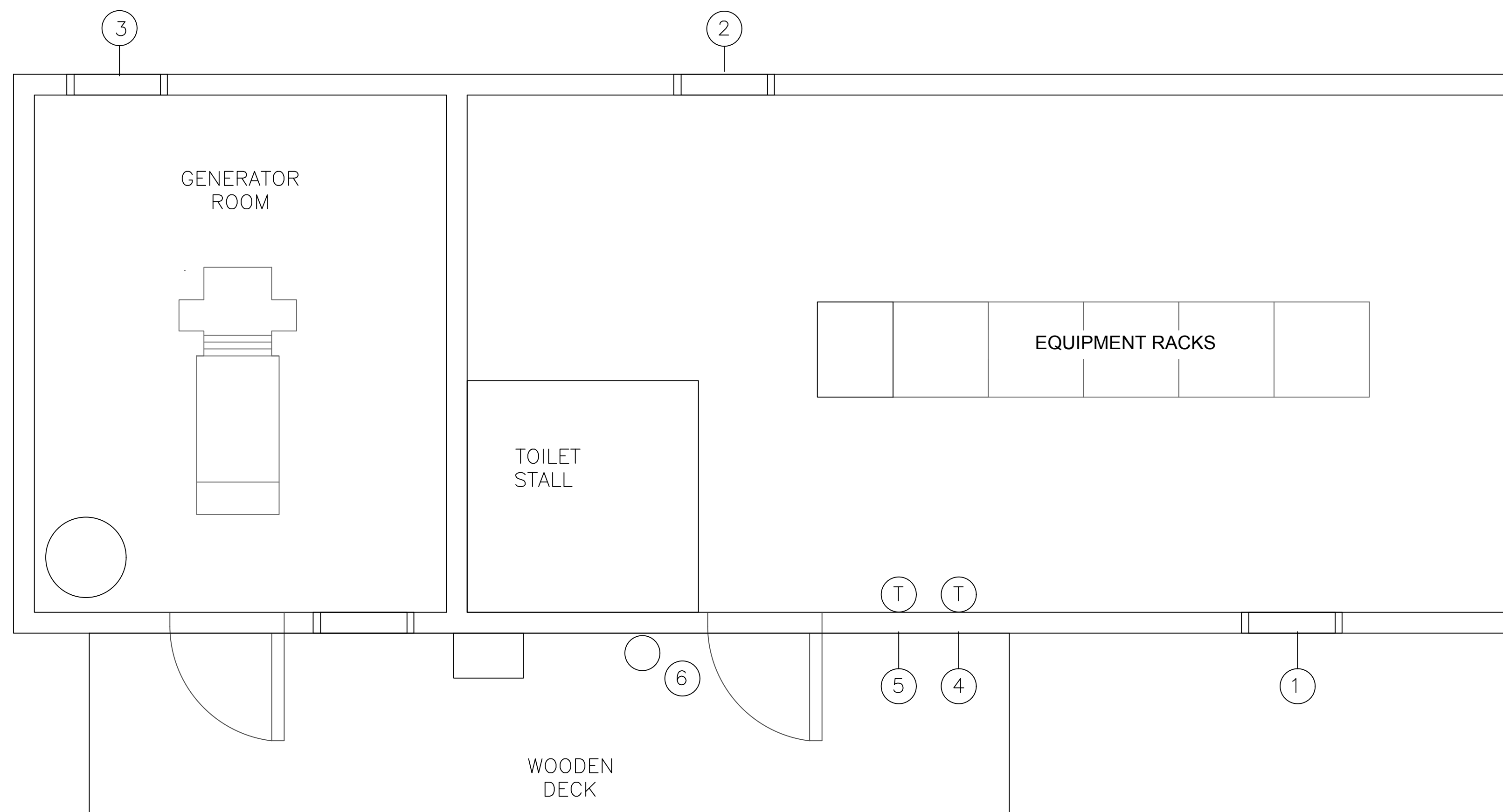
3. EXECUTION

- INSTALL SYSTEMS AND RELATED CONTROLS USING FACTORY TRAINED JOURNEYMAN CERTIFIED BY THE PROVINCE OF NOVA SCOTIA.

Q	DESCRIPTION	BY	DATE
rev	description	par	date
Asset - Actif			
Port Caledonia, NS			
MCTS - T2209.00			
Drawing - Dessin			
Notes			
designed - conception			
drawn - dessiné			
checked - vérifié			
APPROVED			
CCG ref. no. - no. réf. GCC			
REF NO / PROJ NO / FILE NO			
drawing no. - no. dessin			

List of Equipment
Associated Conduit & Wire To Be Reused

Item No.	Description
1	F/A INTAKE LOUVER
2	EXHAUST LOUVER, DAMPER AND MOTOR
3	EXHAUST LOUVER, DAMPER AND MOTOR
4	THERMOSTAT (HEAT)
5	THERMOSTAT (COOL)
6	EXTERIOR LIGHT



Existing Floor Plan - Demolition
Scale: NTS

Vendor Information / Sous-traitant

- General Notes:
- Do not scale from drawings.
 - All layouts shown on the contract drawings are approximate and shall be verified by contractor on-site prior to commencement of work.
 - The owner shall retain first right of refusal of ALL material and equipment slated for demolition and/or removal.

0	DESCRIPTION	BY	yyyy-mm-dd
rev	description	by	date
Asset - Actif			
ST. COLUMBA, NS			
MCTS - T2205.00			
Drawing - Dessin			
Demolition Plan			
designed - conception			date
drawn - dessiné			date
A.SLANEY			2017-04-12
checked - vérifié			date
CHECKED			YYYY.MM.DD
approved - approuvé			date
APPROVED			YYYY.MM.DD
CCG ref. no. - no. réf. GCC			scale - échelle
REF NO / PROJ NO / FILE NO			N/A
drawing no. - no. dessin			sheet-feuille
11F1501A00901			01/04 0

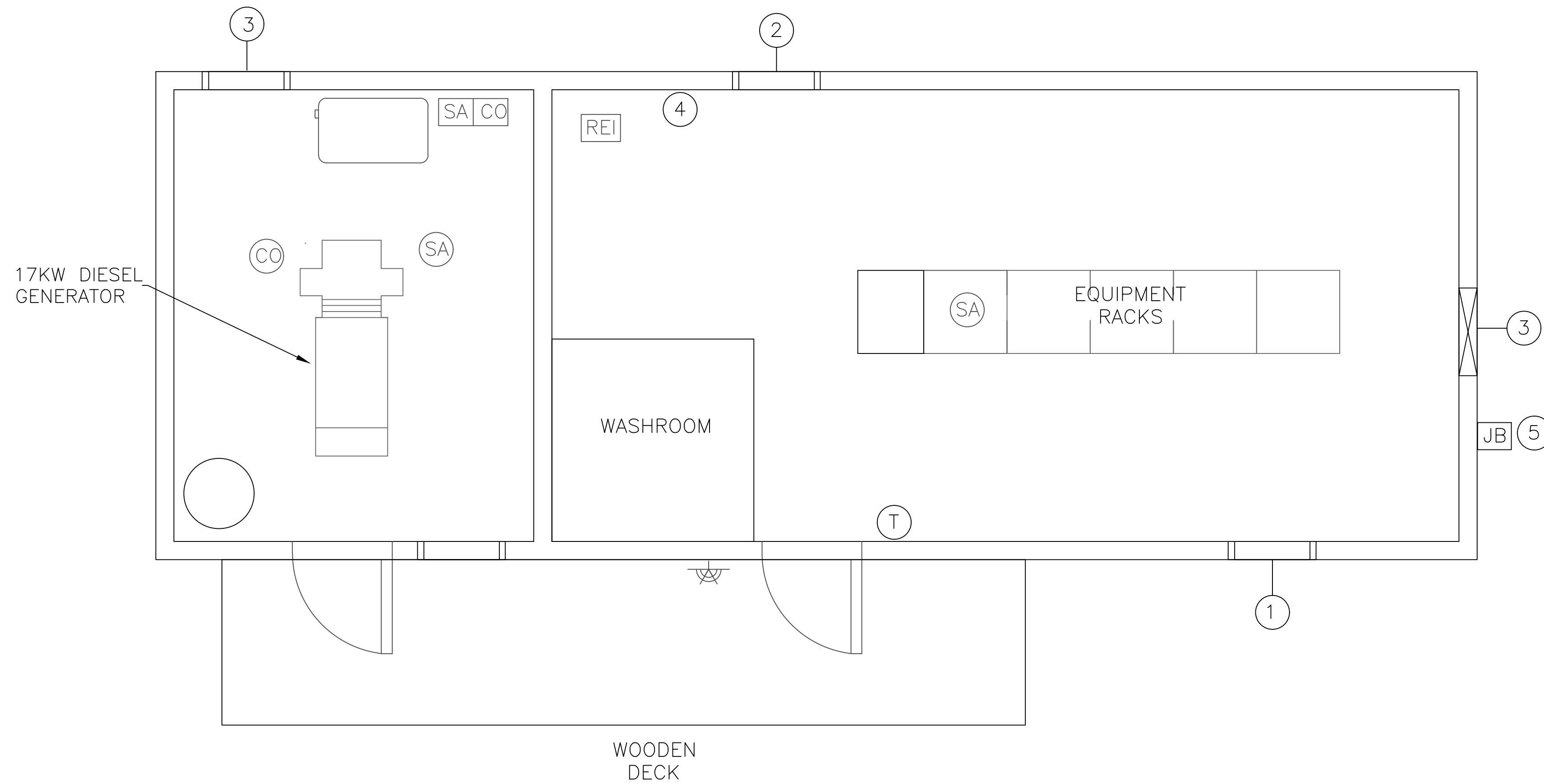
D

C

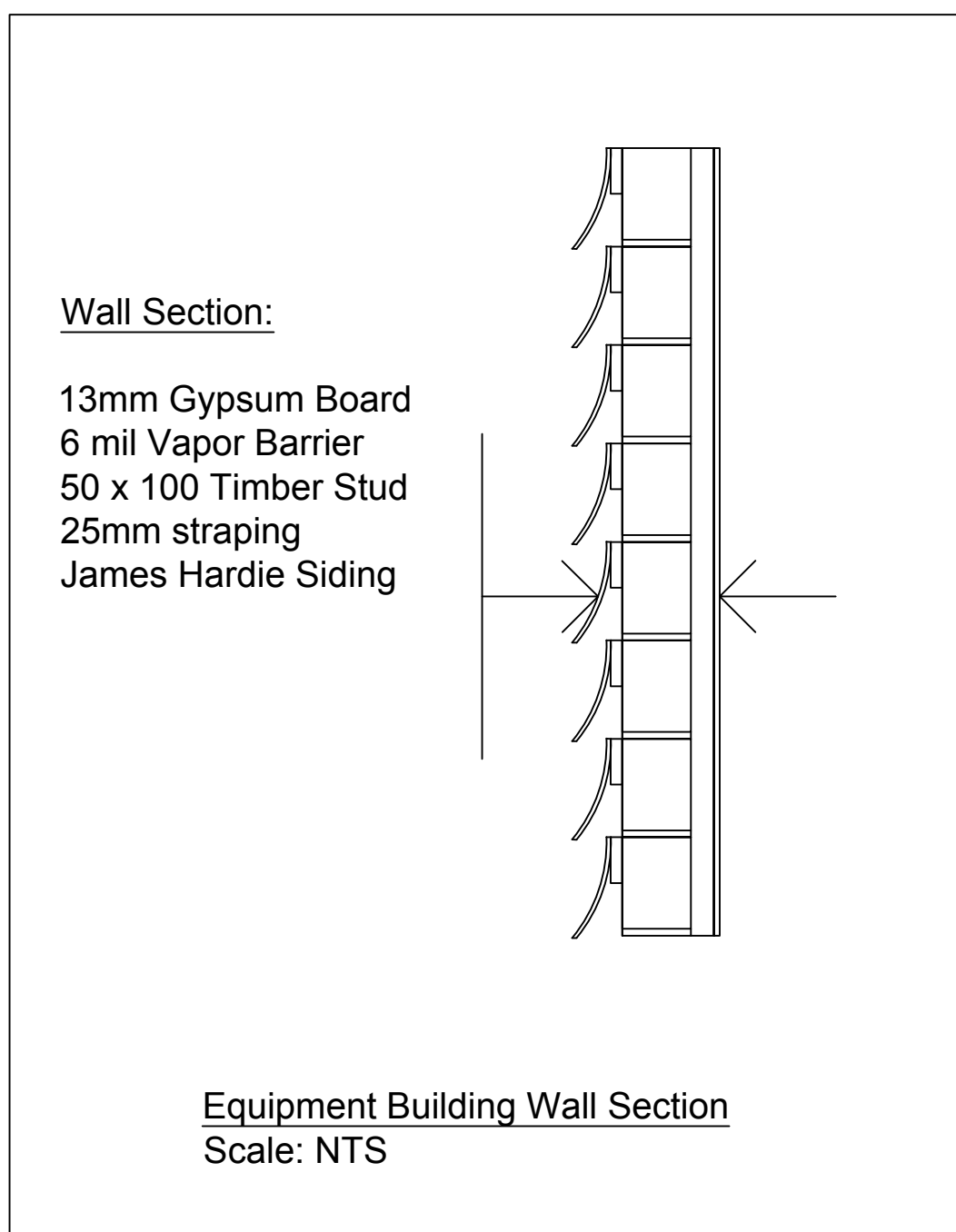
B

A

Equipment Legend	
Item	Description
	Install owner supplied exterior LED light
	Install owner supplied Heat/Cool thermostat (Control wiring as per detail 4)
	Install owner supplied smoke alarms (2) (wiring as per det. 5)
	Install owner supplied relays. (wiring as per detail 5)
	Supply & install power loss relay. (Wiring as per detail 6)
	Install owner supplied carbon monoxide detector (wiring as per det. 5)
	Install equipment room intake as per detail 1
	Install equipment room exhaust as per detail 2
	Install generator room exhaust as per detail 2
	Supply & install security system wiring termination panel as per detail 3.
	Provide CSA Type 3 (Nema 3) rated outdoor junction box. Provide 2 #8 & 1 #10 GND in 21mm conduit from panel to junction box. Exact location of junction box & panel connection to be determined in the field.



Existing Floor Plan - Demolition
Scale: NTS



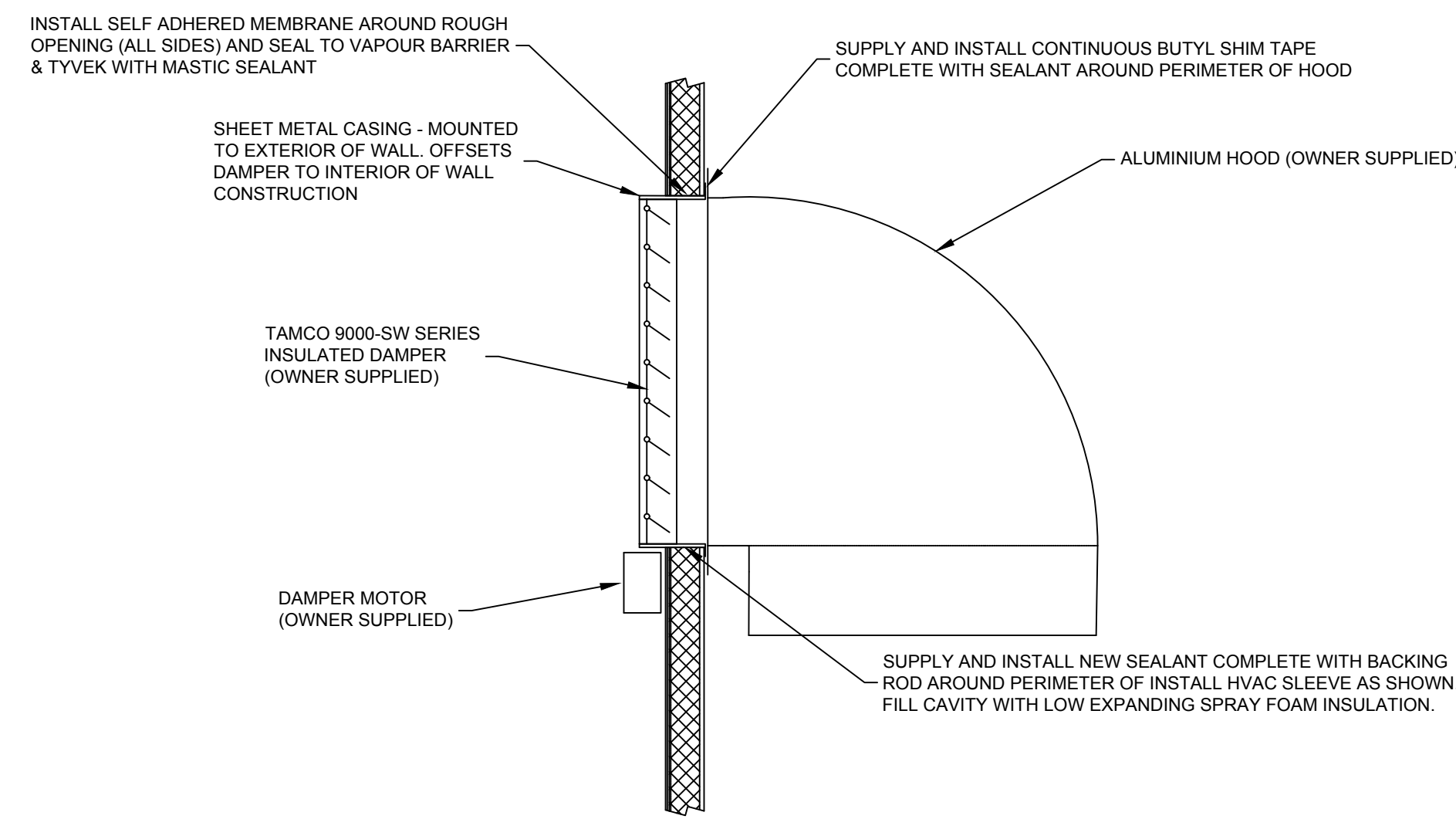
Vendor Information / Sous-traitant

Notes:

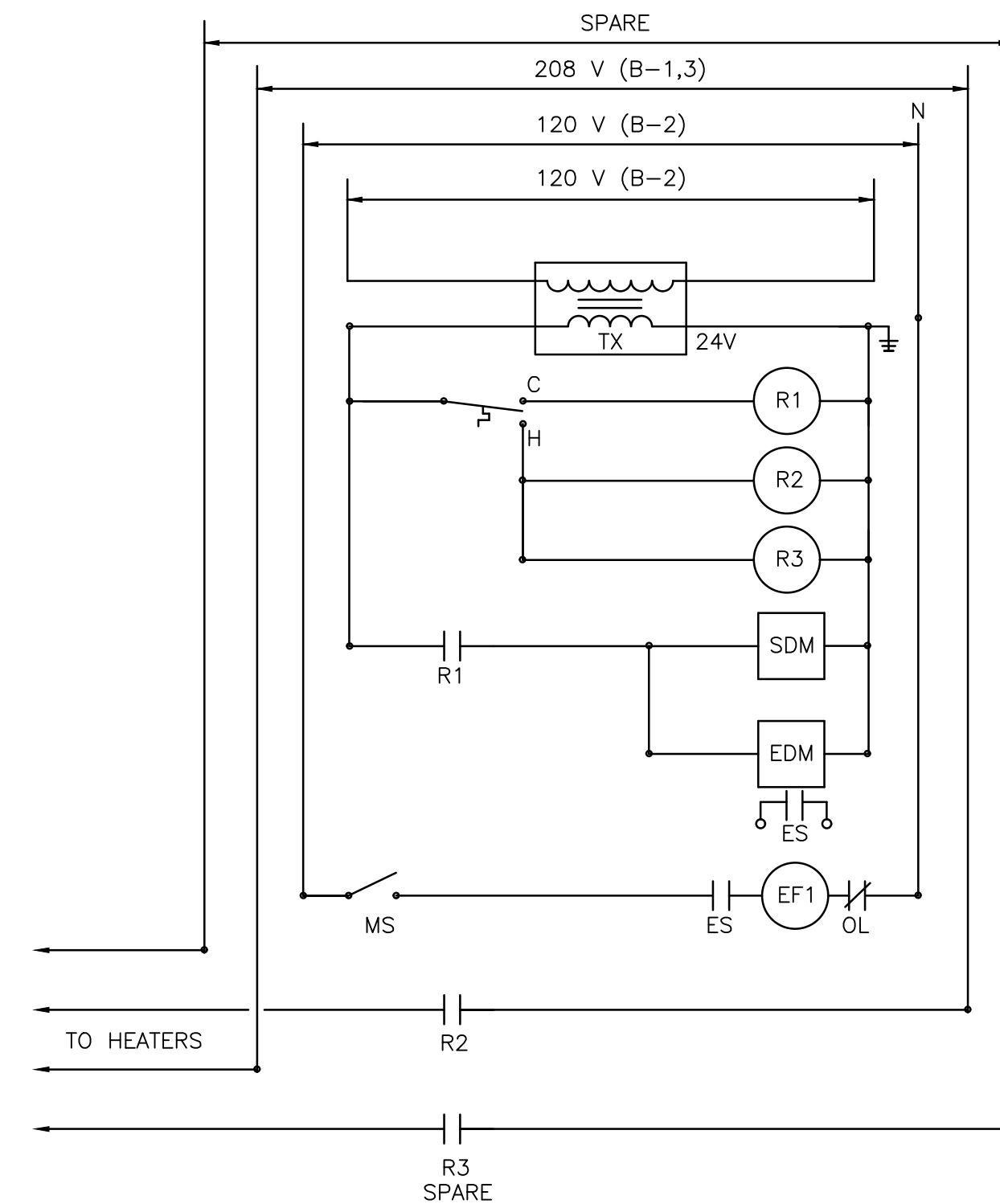
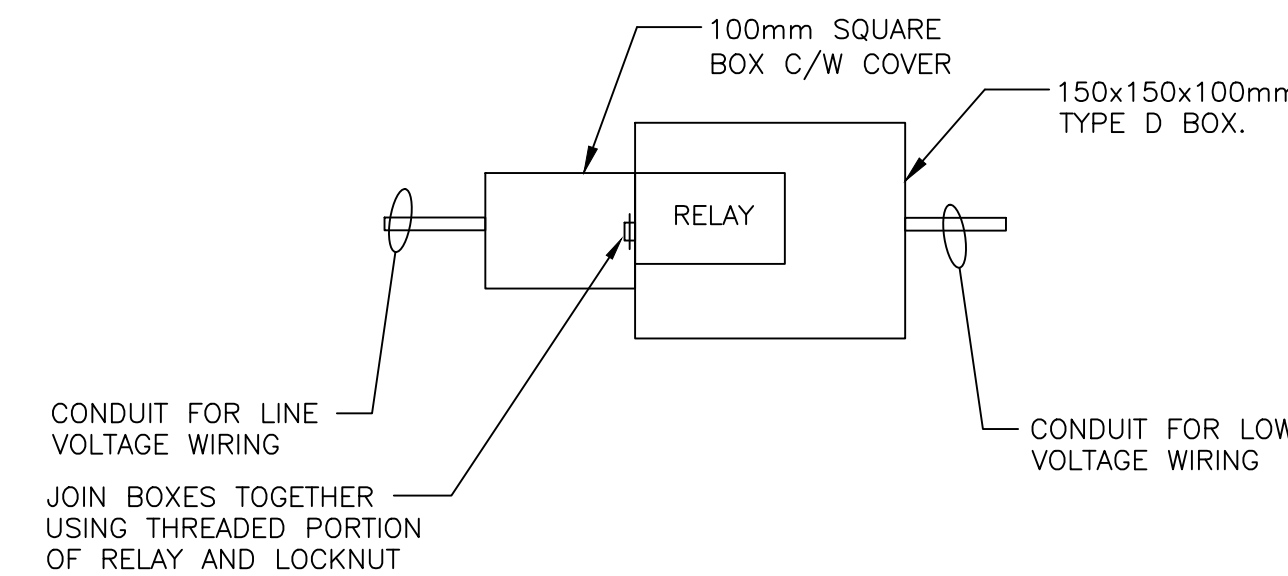
- 1) Access to attic identified in floor plan as "Attic".
- 2) Contractor to confirm critical items by site visit.
- 3) Contractor to re-attach existing ground connectors following new equipment installation.
- 4) Locations of new equipment to be confirmed in the field.
- 5) Painting as per Notes.

0	DESCRIPTION	BY	yyyy-mm-dd
rev	description	by	date
Asset - Actif			
ST. COLUMBA, NS			
MCTS - T2205.00			
Drawing - Dessin			
New Construction			
designed - conception			date
drawn - dessiné			date
A. SLANEY			2017-04-13
checked - vérifié			date
CHECKED			YYYY.MM.DD
approved - approuvé			date
APPROVED			YYYY.MM.DD
CCG ref. no. - no. réf. GCC			scale - échelle
REF NO / PROJ NO / FILE NO			N/A
drawing no. - no. dessin			sheet-feuille
11F1501A00902			02/04 0

D
C
B
A

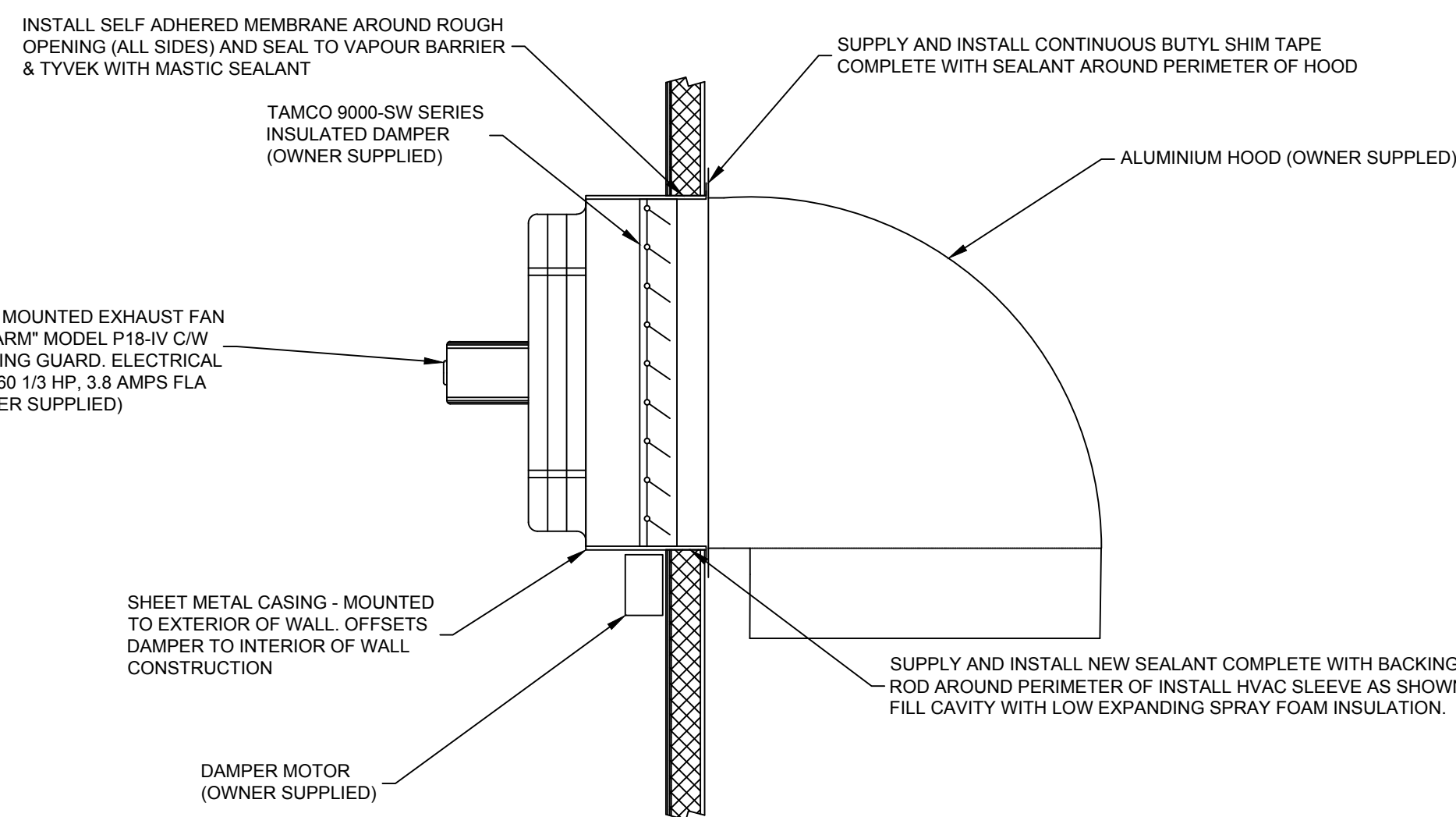


Detail 1 - Typical Intake/Weather Hood Arrangement
Scale: NTS

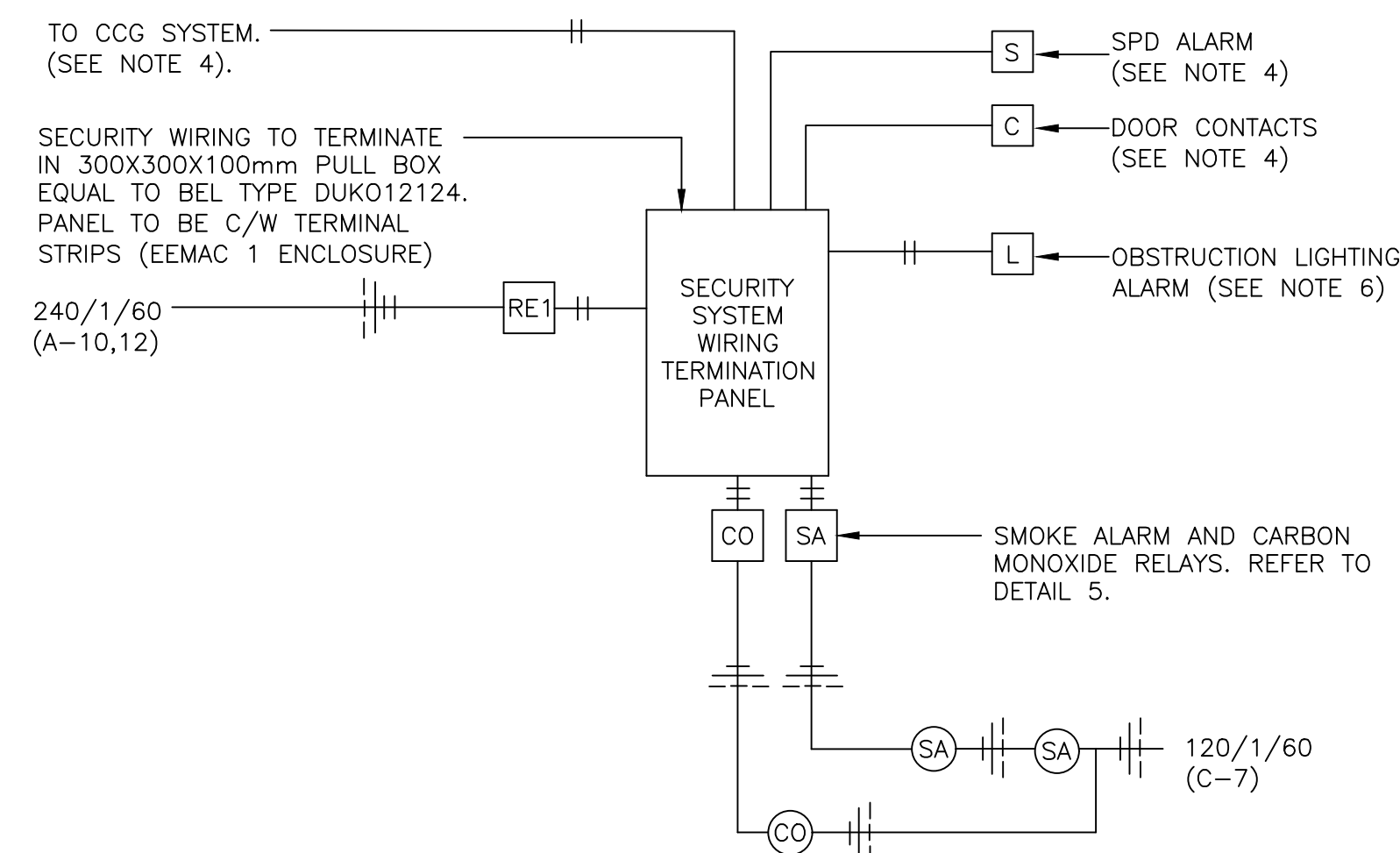


- LEGEND:**
- ES - END SWITCH LOCATED AT EXHAUST DAMPER.
 - EF1 - EXHAUST FAN.
 - SDM - SUPPLY DAMPER MOTOR.
 - EDM - EXHAUST DAMPER MOTOR.
 - OL - OVERLOAD PROTECTION IN STARTER.
- T** HEATING/COOLING THERMOSTAT SUPPLIED BY OWNER AND CONTRACTOR INSTALLED. COOLING ON AT 28 DEGREES C. HEATING ON AT 10 DEGREES C.
- (R1)** RELAY 600V, 35AMP CONTACT, 2 POLE 24 VOLT COIL C/W TYPE 1 GENERAL PURPOSE ENCLOSURE EQUAL TO BRADLEY TYPE 700PH201.
- (R2) (R3)** RELAY, 24V COIL, 2 POLE, 10A, 208V CONTACTS. MOUNT USING 150x150x100mm BOX AS PER THIS DETAIL.
- TX** SINGLE PHASE ENCLOSED CONTROL TRANSFORMER, 120 VOLT PRIMARY, 24 VOLT SECONDARY, 100VA EQUAL TO HAMMOND EG2G. LOCATE NEXT TO STARTER FOR EF-1.
- MS** MANUAL MOTOR STARTER EQUAL TO ALLEN BRADLEY BULLETIN 600TAX216 C/W 600-N1 LOCKING ATTACHMENT.

Detail 4 - Equipment Room Heating/Cooling Control Diagram
Scale: NTS

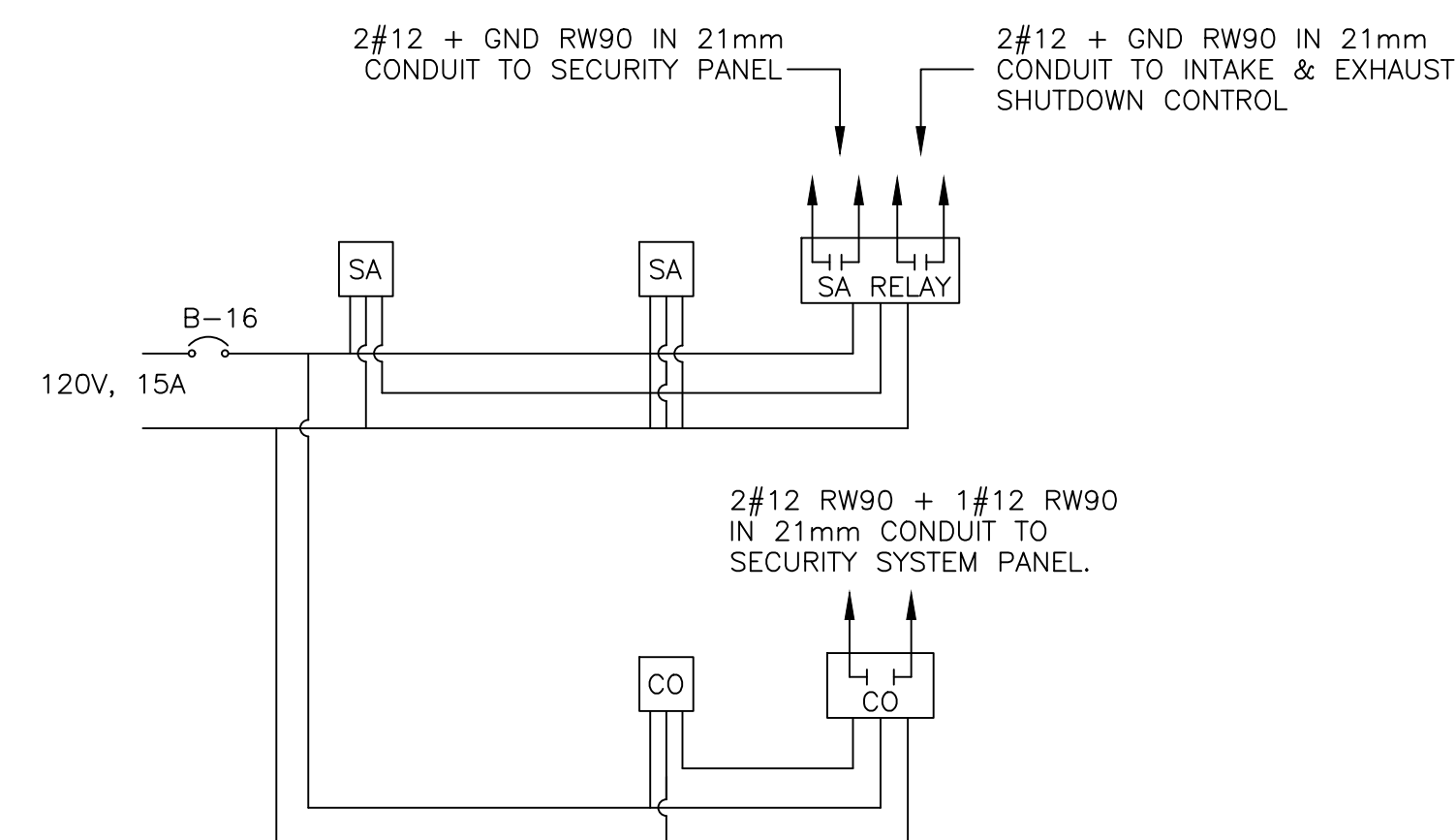


Detail 2 - Typical Panel Fan/Weather Hood Arrangement
Scale: NTS

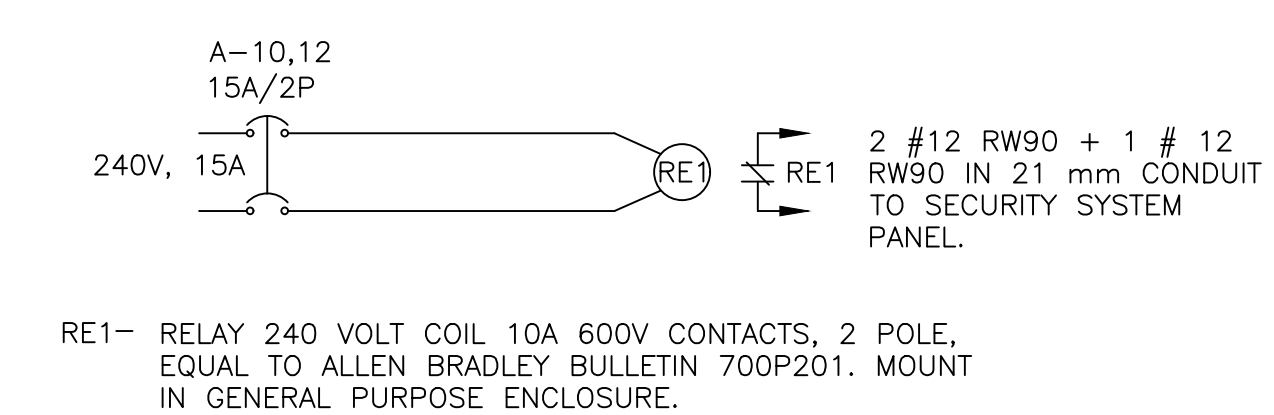


Detail 3 - Security System Riser Diagram
Scale: NTS

- NOTES**
1. PROVIDE LABELS FOR ALL CONTACTS.
 2. TERMINAL BLOCKS TO BE EQUAL TO WEIDMULLER TYPE SAK10.
 3. TIE THE SMOKE & CO ALARMS IN PARALLEL AT SECURITY TERMINATION PANEL.
 4. CCG SYSTEM SUPPLIED AND INSTALLED BY OWNER. PROVIDE CONDUIT AND WIRE UNDER THIS CONTRACT. COORDINATE WITH OWNER BEFORE ROUGHING-IN.
 5. WIRING TO BE SUPPLIED AND INSTALLED UNDER THIS CONTRACT.
 6. PROVIDE ALL NECESSARY HARDWARE TO FACILITATE INSTALLATION OF DEVICES.



Detail 5 - Wiring Diagram: Smoke & Carbon Monoxide Detector
Scale: NTS



Detail 6 - Wiring Diagram: Power Loss Relay
Scale: NTS

0	DESCRIPTION	BY	yyyy-mm-dd
rev	description	by	date
Asset - Actif			
ST. COLUMBA, NS			
MCTS - T2205.00			
Drawing - Dessin			
Details			
designed - conception	date		
drawn - dessin	date		
checked - vérifié	date		
CHECKED	YYYY.MM.DD		
approved - approuvé	date		
APPROVED	YYYY.MM.DD		
CCG ref. no. - no. réf. GCC	scale - échelle		
REF NO / PROJ NO / FILE NO	N/A		
drawing no. - no. dessin	sheet-feuille	rev-rév	
11F1501A00903	03/04	0	

GENERAL NOTES:

1. ALL WORKMANSHIP, EXCEPT WHERE NOTED OTHERWISE SHALL BE IN ACCORDANCE WITH THE REQUIREMENTS OF THE NATIONAL BUILDING CODE OF CANADA (LATEST EDITION)
2. VERIFY ALL DIMENSIONS AND REPORT DISCREPANCIES BEFORE PROCEEDING WITH THE WORK. DO NOT SCALE FROM DRAWINGS.
3. MAKE ADEQUATE PROVISIONS FOR CONSTRUCTION STRESSES, WEATHER PROTECTION AND FOR SUFFICIENT TEMPORARY BRACING AND SHORING TO KEEP THE STRUCTURE PLUMB AND LEVEL DURING ALL PHASES OF WORK.
4. IT IS THE RESPONSIBILITY OF THE CONTRACTOR TO SAFEGUARD ALL EXISTING STRUCTURES AFFECTED BY THIS CONSTRUCTION.
5. ALL REQUIREMENTS FOR MECHANICAL AND ELECTRICAL AND ANY OTHER TRADES OR SERVICES AFFECTING THE STRUCTURE SHALL BE ESTABLISHED BY THE GENERAL CONTRACTOR IN CONSULTATION WITH CORRESPONDING MANUFACTURERS OR SUPPLIERS AND THE ENGINEER.

PAINTING NOTES:

1. ALL WORK TO CONFORM TO LATEST MPI REQUIREMENTS FOR INTERIOR PAINTING WORK INCLUDING PREPARATION AND PRIMING.
2. STANDARD OF ACCEPTANCE AS FOLLOWS:
 - 2.1. WALLS: NO DEFECTS VISIBLE FROM A DISTANCE OF 1000mm AT 90 DEGREES OF SURFACE.
 - 2.2. CEILINGS: NO DEFECTS VISIBLE FROM FLOOR AT 45 DEGREES TO SURFACE WHEN VIEWED FROM FINAL LIGHTING SOURCE.
 - 2.3. FINAL COAT TO EXHIBIT UNIFORMITY OF COLOR AND UNIFORMITY OF SHEEN ACROSS FULL SURFACE AREA.
3. SUBMIT PRODUCT DATA AND MANUFACTURE'S INSTALLATION/APPLICATION FOR EACH PAINT AND COATING PRODUCT TO BE USED.
4. PAINT MATERIALS SHALL BE PRODUCTS OF A SINGLE MANUFACTURER.
5. ONLY QUALIFIED PRODUCTS WITH E2 "ENVIRONMENTALLY FRIENDLY" RATING ARE ACCEPTABLE FOR USE ON THIS PROJECT.
6. APPLICATION ACCORDING TO MANUFACTURE'S INSTRUCTIONS.
7. ENGINEER TO PROVIDE COLOR SCHEME FOLLOWING CONTRACT AWARD.
8. UPON COMPLETION, SUBMIT RECORDS OF PRODUCTS USED. USE PRODUCTS IN RELATION TO FINISH SYSTEM AND INCLUDE THE FOLLOWING:
 - 8.1. PRODUCT NAME, TYPE AND USE
 - 8.2. MANUFACTURER'S PRODUCT NUMBER
 - 8.3. COLOR NUMBER
 - 8.4. MPI ENVIRONMENTALLY FRIENDLY CLASSIFICATION SYSTEM RATING
 - 8.5. MANUFACTURER'S MATERIAL SAFETY DATA SHEETS (MSDS)
9. SITE REQUIREMENTS
 - 9.1. HEATING, VENTILATION AND LIGHTING:
 - 9.1.1. PERFORM NO PAINTING WORK UNLESS ADEQUATE AND CONTINUOUS VENTILATION AND SUFFICIENT HEATING FACILITIES ARE IN PLACE TO MAINTAIN AMBIENT AIR AND SUBSTRATE TEMPERATURES FOR 24 HOURS BEFORE, DURING AND AFTER PAINT APPLICATION UNTIL PAINT HAS CURED SUFFICIENTLY.
 - 9.1.2. WHERE REQUIRED, PROVIDE CONTINUOUS VENTILATION FOR SEVEN DAYS AFTER COMPLETE APPLICATION OF PAINT.
 - 9.1.3. PERFORM NO PAINTING WORK UNLESS A MINIMUM LIGHTING LEVEL OF 323 LUXC IS PROVIDED ON SURFACES TO BE PAINTED. ADEQUATE LIGHTING FACILITIES SHALL BE PROVIDED BY GENERAL CONTRACTOR.
 - 9.2. TEMPERATURE, HUMIDITY AND SUBSTRATE MOISTURE CONTENT LEVELS:
 - 9.2.1. PERFORM NO PAINTING WORK WHEN THE MINIMUM MOISTURE CONTENT OF THE SUBSTRATE EXCEEDS 15% FOR WOOD.
 - 9.2.2. CONDUCT MOISTURE TESTS USING A PROPERLY CALIBRATED ELECTRONIC MOISTURE METER.
 - 9.3. SURFACE AND ENVIRONMENTAL CONDITIONS
 - 9.3.1. APPLY PAINT FINISH ONLY IN AREAS WHERE DUST IS NOT LONGER BEING GENERATED BY RELATED CONSTRUCTION OPERATIONS OR WHEN WIND OR VENTILATION CONDITIONS ARE SUCH THAT AIRBORNE PARTICLES WILL NOT AFFECT QUALITY OF FINISHED SURFACE.
 - 9.3.2. APPLY PAINT ONLY TO ADEQUATLY PREPARED SURFACES AND TO SURFACES WITHIN MOISTURE LIMITS NOTED HEREIN.
 - 9.3.3. APPLY PAINT ONLY WHEN PREVIOUS COAT OF PAINT IS DRY OR ADEQUATELY CURED.
 - 9.4. ADDITIONAL INTERIOR APPLICATION REQUIREMENTS
 - 9.4.1. APPLY PAINT FINISHES ONLY WHEN TEMPERATURE AT LOCATION OF INSTALLATION CAN BE SATISFACTORY WITHIN MANUFACTURER'S RECOMMENDATIONS.

ELECTRICAL NOTES:

1. PROVIDE ALL LABOR, MATERIAL, EQUIPMENT AND SERVICES TO COMPLETE ELECTRICAL INSTALLATION IN ACCORDANCE WITH THE DESIGN AND SPECIFICATIONS AND PRESENT IT FULLY OPERATIONAL TO THE SATISFACTION OF THE ENGINEER.
2. CARRY OUT WORK IN ACCORDANCE WITH ALL APPLICABLE CODES, STANDARDS, ORDINANCES AND HEALTH & SAFETY RULES.
3. PROVIDE ALL CUTTING AND PATCHING NECESSARY FOR THE INSTALLATION OF THE ELECTRICAL WORK. ANY DAMAGE DONE TO THE WORK ALREADY IN PLACE BY REASON OF THIS WORK SHALL BE REPAIRED AT THE CONTRACTOR'S EXPENSE BY A QUALIFIED TRADESPERSON EXPERIENCED IN SUCH WORK. PATCHING SHALL BE UNIFORM IN APPEARANCE AND SHALL MATCH THE SURROUNDING SURFACE. DO NOT CUT STRUCTURAL MEMBERS WITHOUT APPROVAL OF DEPARTMENTAL REPRESENTATIVE.
4. FABRICATION AND INSTALLATION OF THE COMPLETE ELECTRICAL SYSTEMS SHALL BE DONE IN A FIRST CLASS WORKMANSHIP BY QUALIFIED PERSONNEL EXPERIENCED IN SUCH WORK AND SHALL SCHEDULE THE WORK IN AN ORDERLY MANNER SO AS NOT TO IMPEDE PROGRESS OR DISRUPT CCG SERVICES.
5. AT THE COMPLETION OF THE ELECTRICAL INSTALLATION PROVIDE THREE SETS OF OPERATION AND MAINTENANCE MANUALS BOUND IN 3-RING HARD COVER BINDERS, DULY LABELED, CONTAINING A COMPLETE LIST OF REPLACEMENT EQUIPMENT.
6. COMPLETE INSTALLATION SHALL BE GAURANTEED FOR A PERIOD OF ONE (1) YEAR AFTER THE DATE OF WRITTEN ACCEPTANCE OF THE INSTALLATIONS BY OWNER. ANY WORK, MATERIAL OR EQUIPMENT FOUND TO BE FAULTY DURING THAT PERIOD SHALL BE CORRECTED AT ONCE, UPON WRITTEN NOTIFICATION, AT THE EXPENSE OF THE CONTRACTOR.

MECHANICAL NOTES:

COMMISSIONING

1. PROVIDE ALL NECESSARY LABOUR, MATERIALS, TOOLS AND EQUIPMENT FOR IMPLEMENTING ALL REQUIRED COMMISSIONING ACTIVITIES INCLUDING: ALL CHECKING, TESTING, ADJUSTING, AND FINE TUNING OF SYSTEM SET POINTS AND TO PUT SYSTEM INTO OPERATION.
2. COMPLETE A SYSTEMATIC VERIFICATION PROCEDURE TO ENSURE THAT:
 - 2.1. EQUIPMENT AND MATERIAL DELIVERED AND INSTALLED ARE IN ACCORDANCE WITH ALL APPLICABLE CODES, NORMAL GOOD PRACTICE, MANUFACTURE'S INSTALLATION GUIDELINES AND REQUIREMENTS OF THESE SPECIFICATIONS.
 - 2.2. EQUIPMENT IS SAFE TO BE STARTED.
3. COMPLETE A SYSTEMATIC VERIFICATION PROCEDURE TO ENSURE THAT EQUIPMENT AND SYSTEMS OPERATE SAFELY, EFFECIENTLY, AND IN GENERAL CONFORMITY WITH THE DESIGN INTENT INCLUDING:
 - 3.1. VERIFYING OPERATING CONDITIONS,
 - 3.2. VERIFYING PROPER OPERATION OF ALL SAFETY DEVICES,
 - 3.3. VERIFYING CONTROL SYSTEM OPERATION,
 - 3.4. VERIFYING SATISFACTORY EQUIPMENT OPERATING POINTS (FANS) AND MOTOR LOADINGS.
 - 3.5. VERIFYING LINKAGE BETWEEN INTERACTING SYSTEMS.

CARE, OPERATION AND START-UP

1. MANUFACTURES OR THEIR AGENTS TO UNDERTAKE EQUIPMENT START-UP WHERE REQUIRED BY THE SPECIFICATIONS OR WHERE REQUIRED BY THE EQUIPMENT MANUFACTURER AS A CONDITION OF WARRANTY. WHERE MANUFACTURER IS NOT REQUIRED TO DO START-UP, CARRY OUT IN ACCORDANCE WITH MANUFACTURER'S WRITTEN INSTRUCTIONS.
2. INSTRUCT OPERATING PERSONNEL IN THE OPERATION, CARE, MAINTENANCE OF EQUIPMENT

HEATING, VENTILATION AND AIR CONDITIONING

1. PRODUCTS

- 1.1. INTERIOR DUCTWORK SHALL BE FABRICATED FROM GALVANIZED STEEL TO ASTM A525 G90 DESIGNATION. METAL GAUGE SHALL BE IN ACCORDANCE WITH SMACNA STANDARDS.

2. EXECUTION

- 2.1. INSTALL ALL EQUIPMENT IN ACCORDANCE WITH MANUFACTURER'S RECOMMENDATION.
- 2.2. MANUFACTURE AND INSTALL ALL DUCTWORK IN ACCORDANCE WITH THE RECOMMENDATION WITH SMACNA.
- 2.3. ALL DUCTWORK CONNECTION TO ISOLATED EQUIPMENT TO BE MADE USING 100mm FLEXIBLE CONNECTIONS.
- 2.4. SEAL ALL JOINTS IN DUCTWORK.

CONTROL SYSTEMS

1. GENERAL

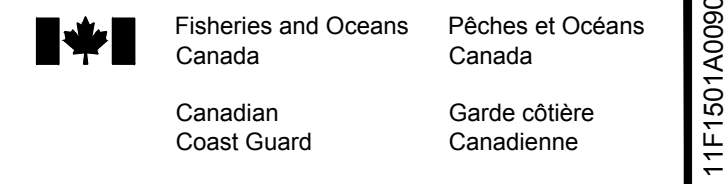
- 1.1. PROVIDE ALL THERMOSTATS, SENSORS, ACTUATORS, CONTROLLER, OPERATORS AND ACCESSORIES AS REQUIRED FOR FULL OPERATIONAL SEQUENCE AS DESCRIBED HEREIN.

2. PRODUCTS

- 2.1. WIRING: ALL WIRING TO BE IN ACCORDANCE WITH ELECTRICAL SPECIFICATION.

3. EXECUTION

- 3.1. INSTALL SYSTEMS AND RELATED CONTROLS USING FACTORY TRAINED JOURNEYMAN CERTIFIED BY THE PROVINCE OF NOVA SCOTIA.



Vendor Information / Sous-traitant

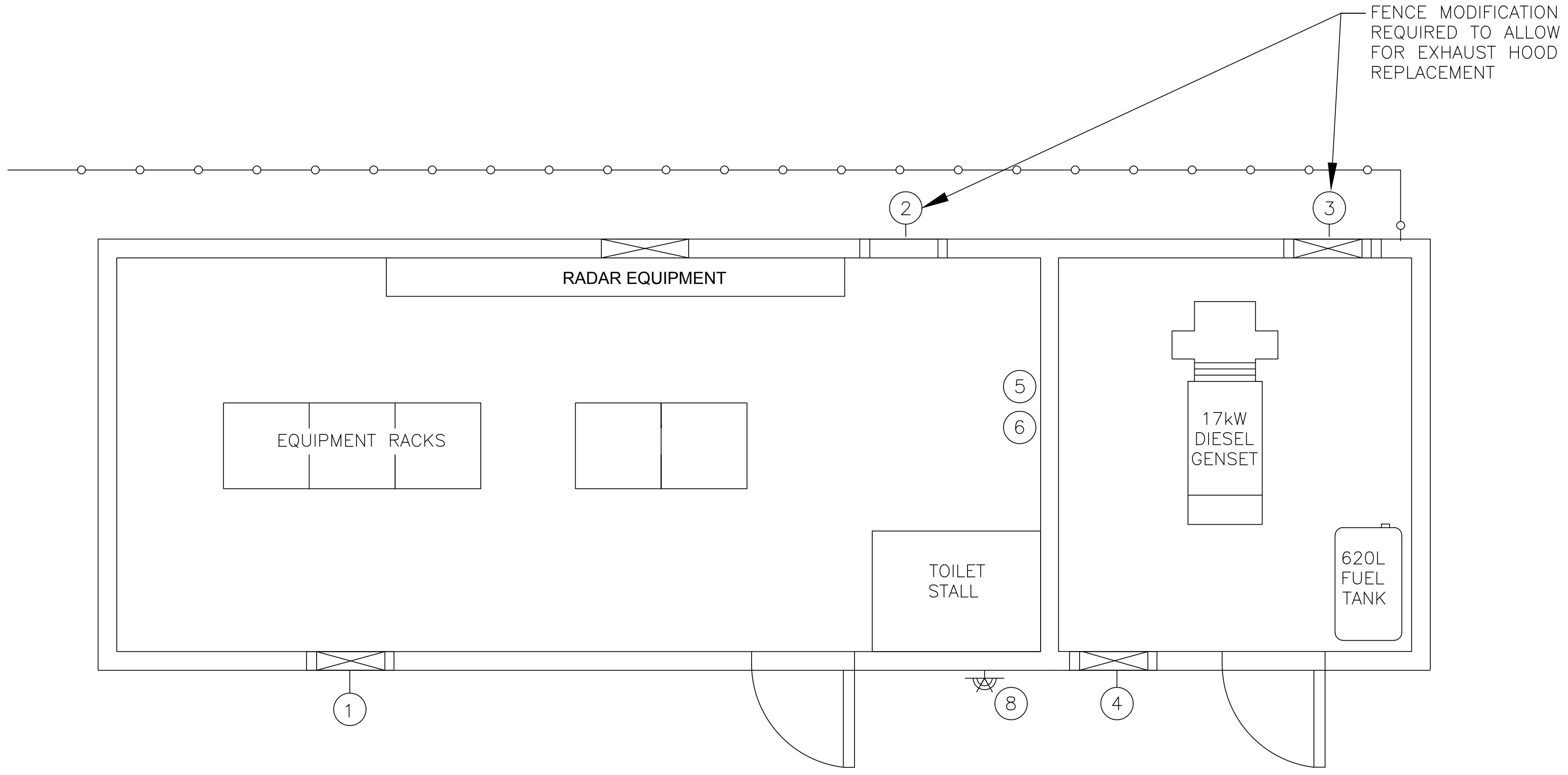
0	DESCRIPTION	BY	yyyy-mm-dd
rev	description	par	date
Asset - Actif			
ST. COLUMBA, NS			
MCTS - T2205.00			
Drawing - Dessin			
Notes			
designed - conception			
drawn - dessiné			
checked - vérifié			
approved - approuvé			
APPROVED			
CCG ref. no. - no. réf. GCC	scale - échelle		
REF NO / PROJ NO / FILE NO	N/A		
drawing no. - no. dessin	sheet/feuille	rev-rév	
11F1501A00904	04/04	0	

D
C
B
A

11F1501A00904
Arch D
File / Fichier: 01A00901.DWG - Printed / Imprimé: 2017/07/12 1:51

List of Equipment
Associated Conduit & Wire To Be Removed

Item No.	Description
1	F/A Intake Louver.
2	Exhaust louver, damper, and motor
3	Exhaust louver, damper, and motor
4	F/A Intake louver.
5	Thermostat (Heat)
6	Thermostat (Cool)
7	Surface mounted light fixtures (Qty.10)
8	Exterior Light



Existing Floor Plan - Demolition
Scale: NTS

Vendor Information / Sous-traitant

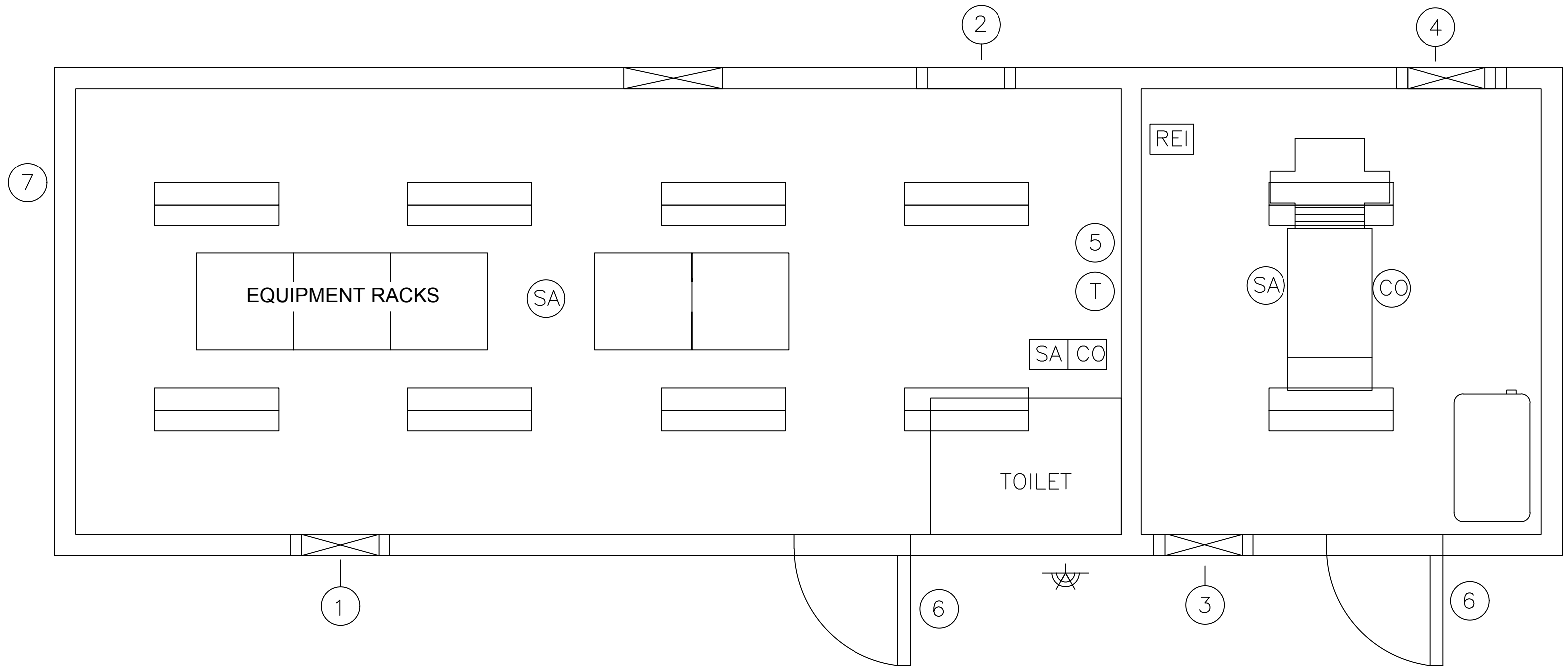
- General Notes:
- 1) Do not scale from drawings.
 - 2) All layouts shown on the contract drawings are approximate and shall be verified by contractor on-site prior to commencement of work.
 - 3) The owner shall retain first right of refusal of ALL material and equipment slated for demolition and/or removal.

0	DESCRIPTION	BY	yyyy-mm-dd
rev	description	by	date
Asset - Actif			
EDDY POINT, NS			
MCTS - T2201.00			
Drawing - Dessin			
Demolition Plan			
designed - conception			date
drawn - dessiné			date
A.SLANEY			2017-04-12
checked - vérifié			date
CHECKED			YYYY.MM.DD
approved - approuvé			date
APPROVED			YYYY.MM.DD
CCG ref. no. - no. réf. GCC			scale - échelle
REF NO / PROJ NO / FILE NO			N/A
drawing no. - no. dessin			sheet-feuille
11F0601A00501			01/04 0

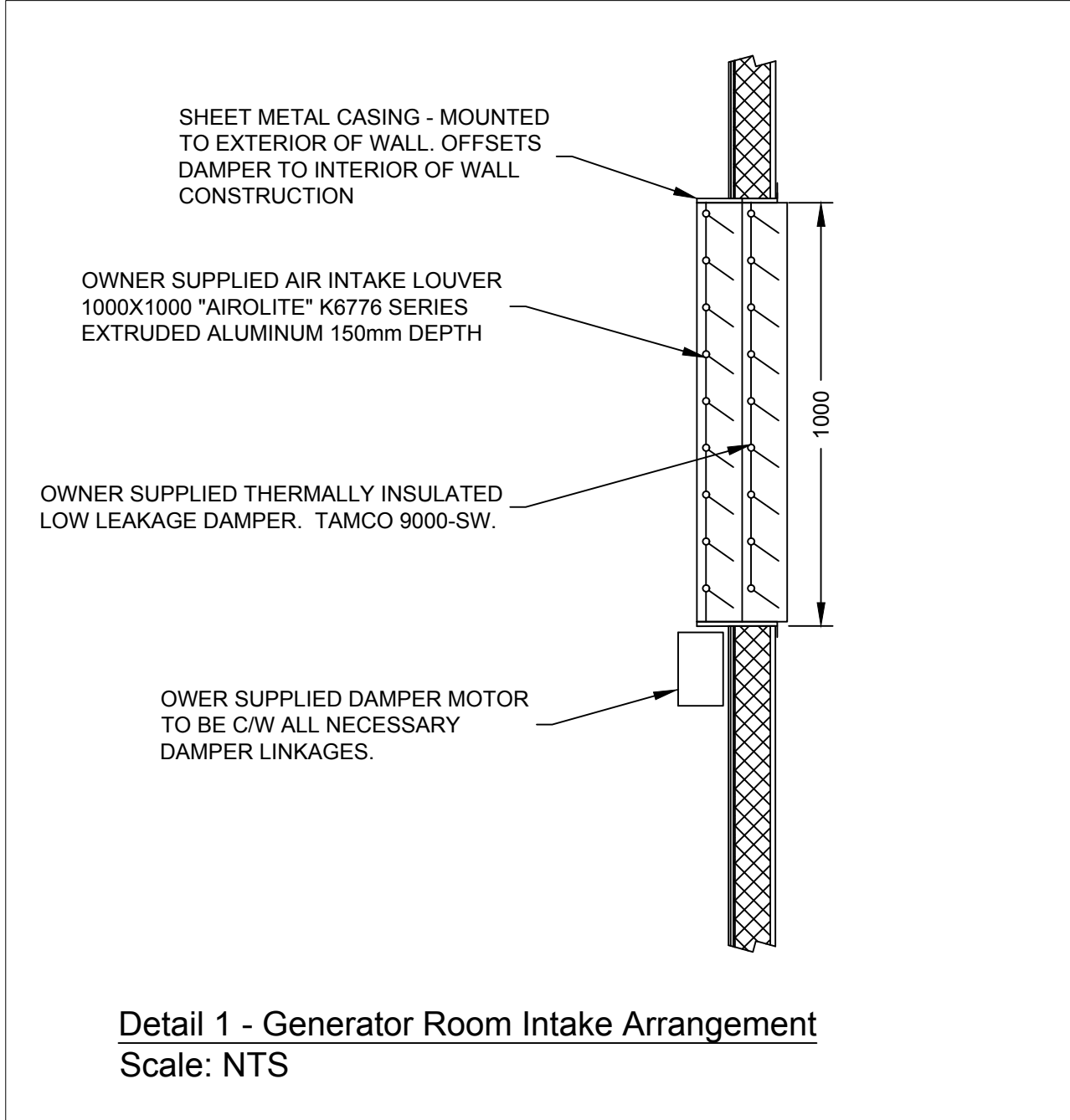
Vendor Information / Sous-traitant

- Notes:
- 1) Access to attic identified in floor plan as "Attic".
 - 2) Contractor to confirm critical items by site visit.
 - 3) Contractor to re-attach existing ground connectors following new equipment installation.
 - 4) Locations of new equipment to be confirmed in the field.
 - 5) Painting as per Notes.

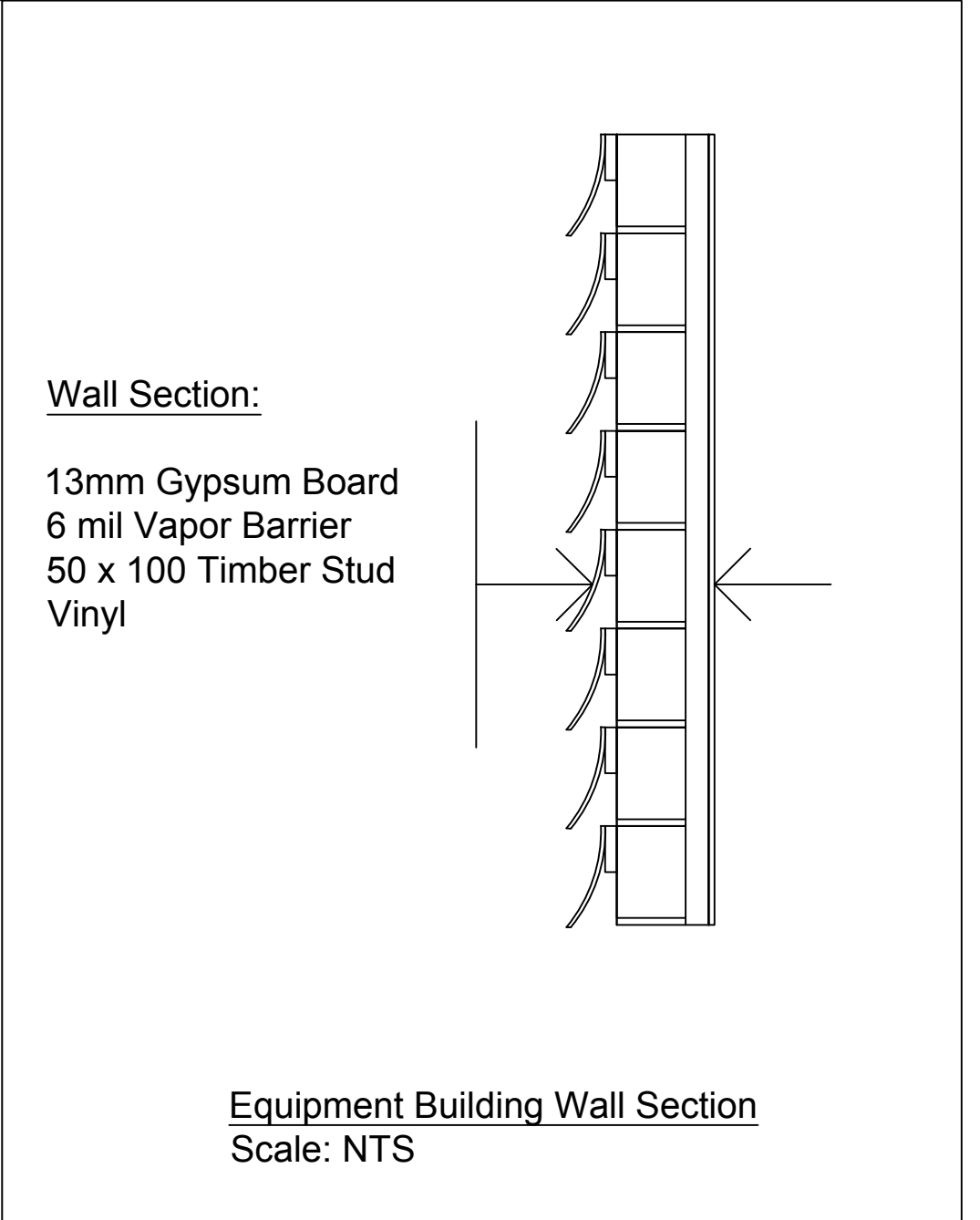
Equipment Legend	
Item	Description
	Install owner supplied exterior LED light
	Install owner supplied surface mount lighting
	Install owner supplied Heat/Cool thermostat (Control wiring as per detail 4)
	Install owner supplied smoke alarms (2) (wiring as per det. 5)
	Install owner supplied relays. (wiring as per detail 5)
	Supply & install power loss relay. (Wiring as per detail 6)
	Install owner supplied carbon monoxide detector (wiring as per det. 5)
	Install equipment room intake as per detail 1
	Install equipment room intake as per detail 2
	Install generator room intake as per detail this drawing.
	Install generator room exhaust as per detail 2
	Supply & install security system wiring termination panel as per detail 3.
	Scrape & paint exterior doors. Colour by owner.
	Provide CSA Type 3 (Nema 3) rated outdoor junction box. Provide 2 #8 & 1 #10 GND in 21mm conduit from panel to junction box. Exact location of junction box & panel connection to be determined in the field.



Equipment Building Floor Plan
Scale NTS



Detail 1 - Generator Room Intake Arrangement
Scale: NTS



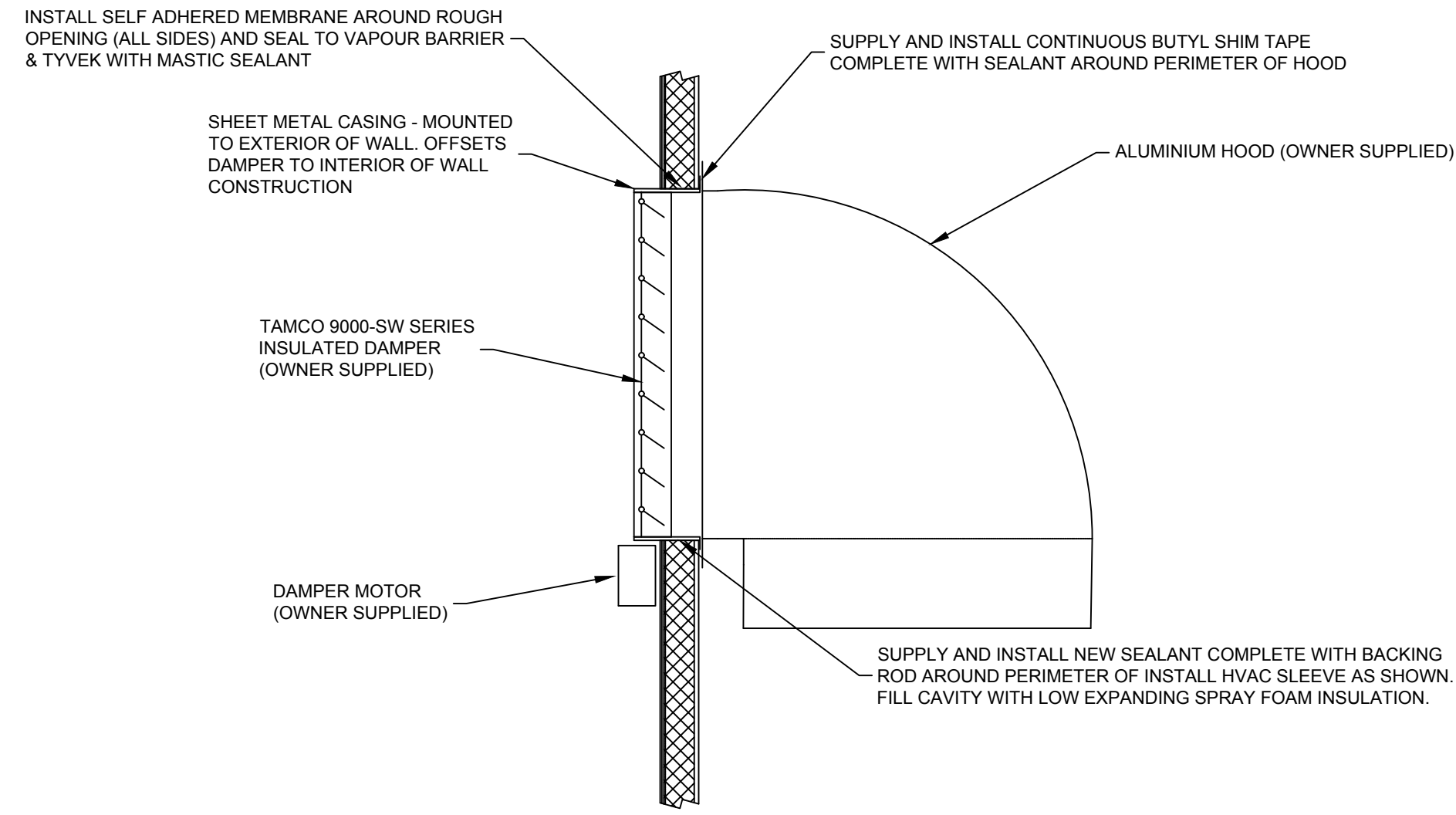
Equipment Building Wall Section
Scale: NTS

0	DESCRIPTION	BY	yyyy-mm-dd
rev	description	by	date
Asset - Actif			
EDDY POINT, NS			
MCTS - T2201.00			
Drawing - Dessin			
New Construction			
designed - conception			date
drawn - dessiné			date
checked - vérifié			date
CHECKED			YYYY.MM.DD
approved - approuvé			date
APPROVED			YYYY.MM.DD
CCG ref. no. - no. réf. GCC			scale - échelle
REF NO / PROJ NO / FILE NO			N/A
drawing no. - no. dessin			sheet-feuille rev-rév
11F0601A00502		02/04	0

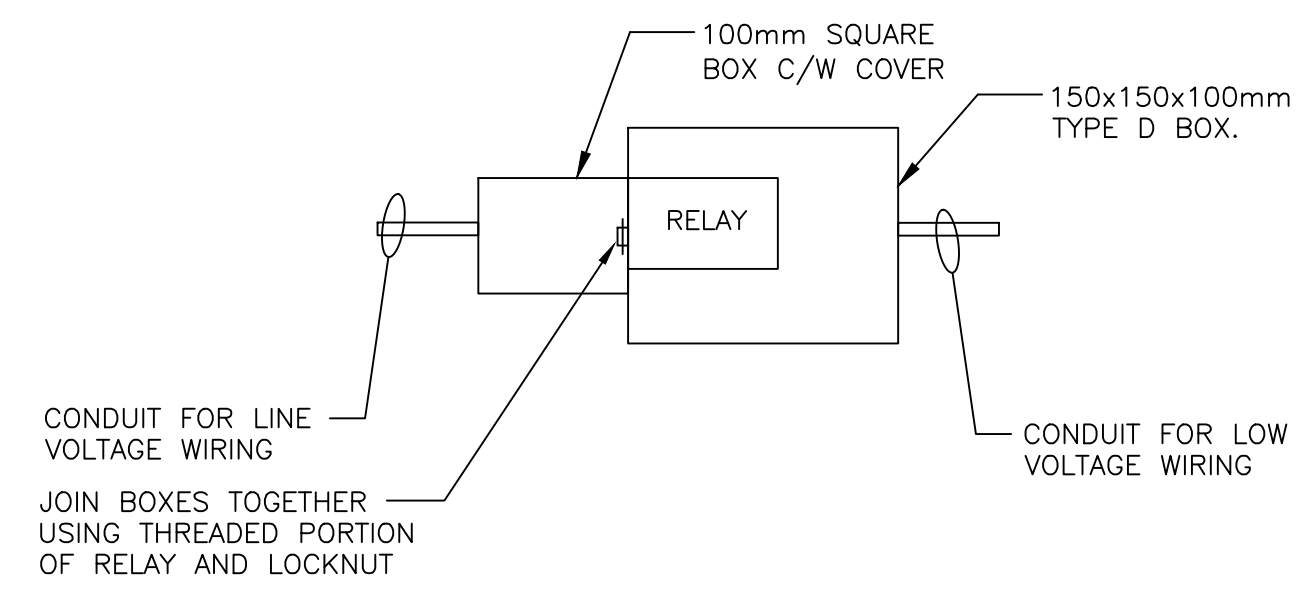
D
C
B
A

Vendor Information / Sous-traitant

Notes:
1) All holes, hoods, and louvers must be installed on a level plane and be centered to the corresponding hole they are to be installed in.

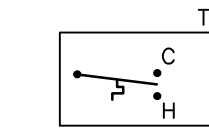


Detail 1 - Typical Intake/Weather Hood Arrangement
Scale: NTS

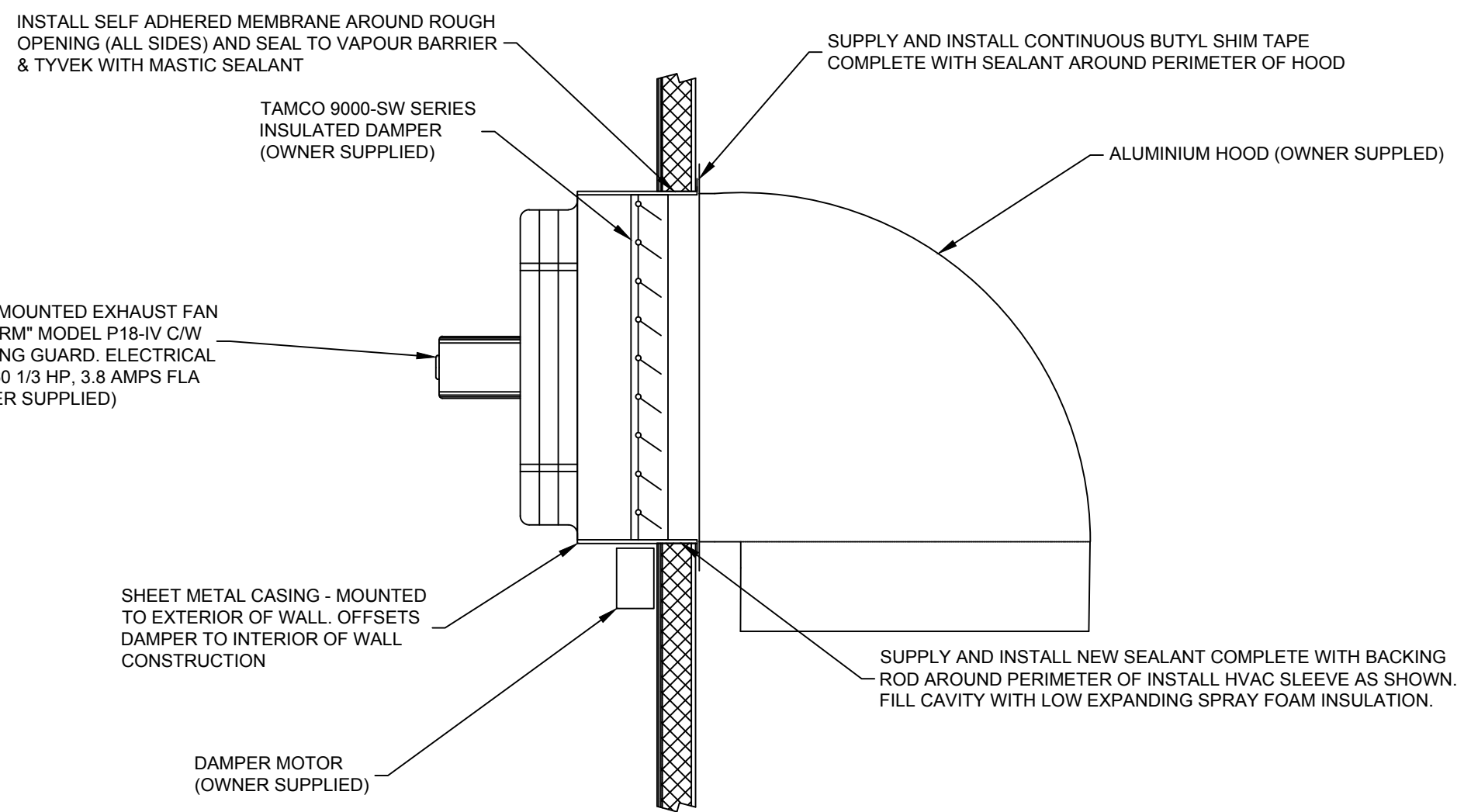


LEGEND:

- ES - END SWITCH LOCATED AT EXHAUST DAMPER.
- EF1 - EXHAUST FAN.
- SDM - SUPPLY DAMPER MOTOR.
- EDM - EXHAUST DAMPER MOTOR.
- OL - OVERLOAD PROTECTION IN STARTER.

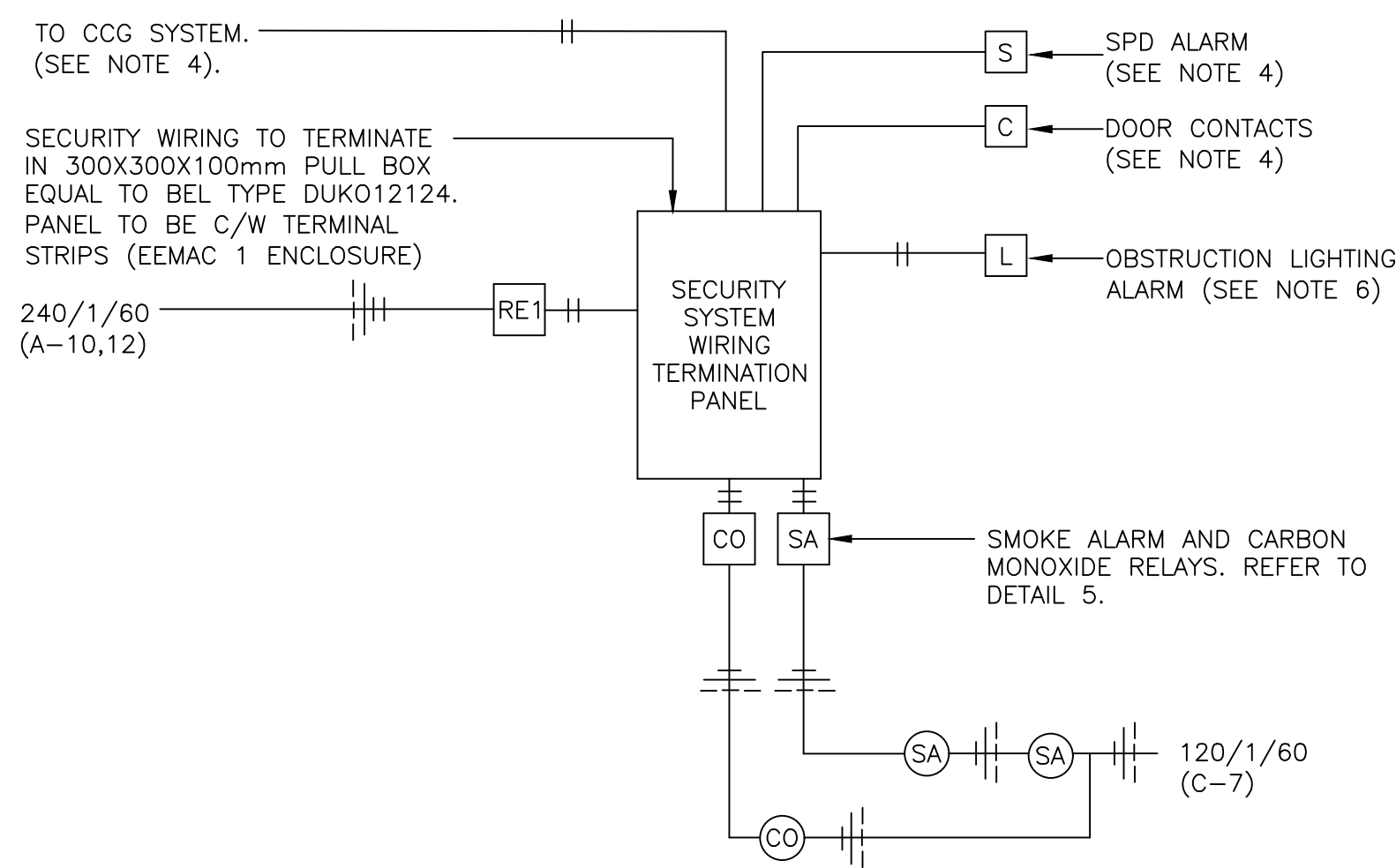


- T HEATING/COOLING THERMOSTAT SUPPLIED BY OWNER AND CONTRACTOR INSTALLED. COOLING ON AT 28 DEGREES C. HEATING ON AT 10 DEGREES C.
- R1 RELAY 600V, 35AMP CONTACT, 2 POLE 24 VOLT COIL C/W TYPE 1 GENERAL PURPOSE ENCLOSURE EQUAL TO BRADLEY TYPE 700PH201.
- R2 R3 RELAY, 24V COIL, 2 POLE, 10A, 208V CONTACTS. MOUNT USING 150x150x100mm BOX AS PER THIS DETAIL.
- TX SINGLE PHASE ENCLOSED CONTROL TRANSFORMER. 120 VOLT PRIMARY, 24 VOLT SECONDARY, 100VA EQUAL TO HAMMOND EG2G. LOCATE NEXT TO STARTER FOR EF-1.
- MS MANUAL MOTOR STARTER EQUAL TO ALLEN BRADLEY BULLETIN 600TAX216 C/W 600-N1 LOCKING ATTACHMENT.



Detail 2 - Typical Panel Fan/Weather Hood Arrangement
Scale: NTS

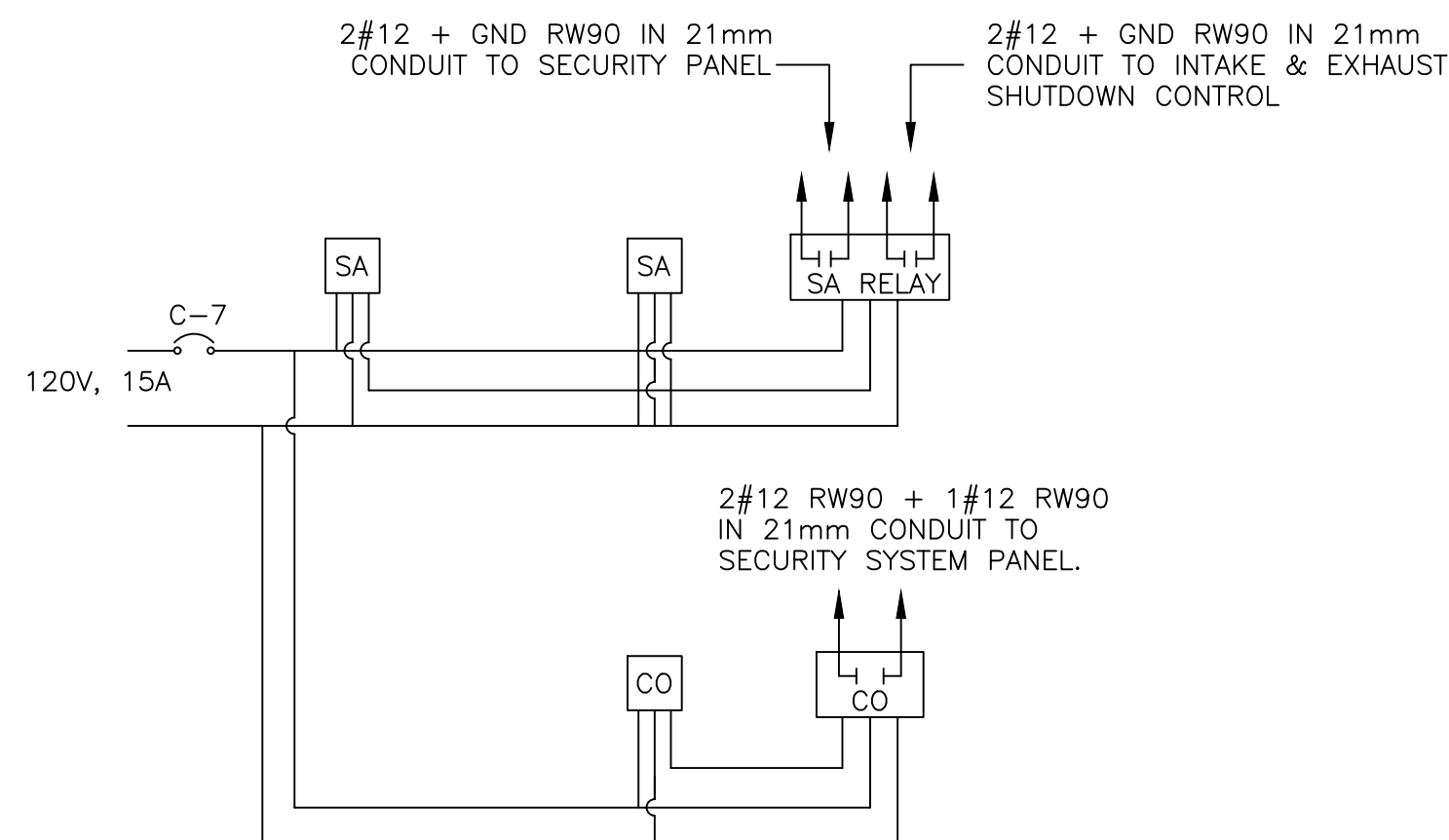
Detail 4 - Equipment Room Heating/Cooling Control Diagram
Scale: NTS



Detail 3 - Security System Riser Diagram
Scale: NTS

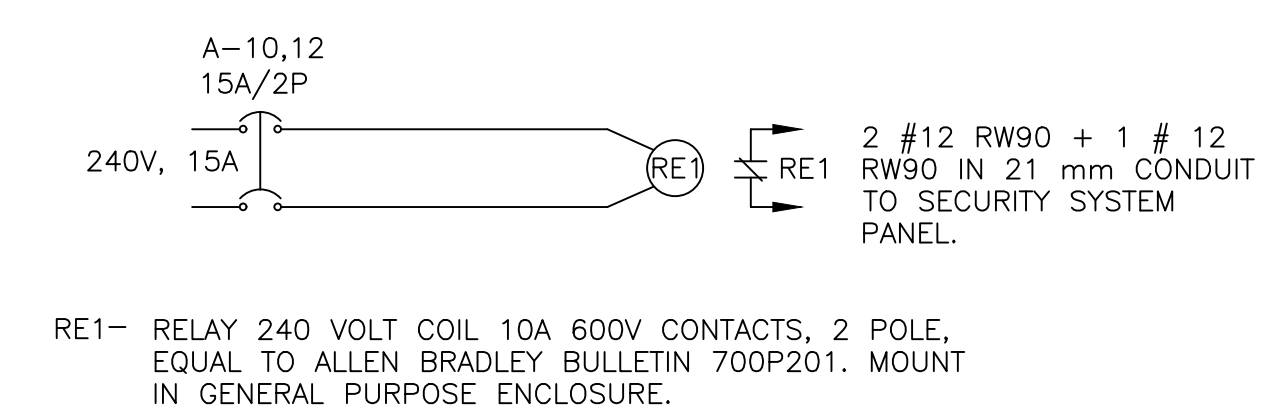
NOTES

1. PROVIDE LABELS FOR ALL CONTACTS.
2. TERMINAL BLOCKS TO BE EQUAL TO WEIDMULLER TYPE SAK10.
3. TIE THE SMOKE & CO ALARMS IN PARALLEL AT SECURITY TERMINATION PANEL.
4. CCG SYSTEM SUPPLIED AND INSTALLED BY OWNER. PROVIDE CONDUIT AND WIRE UNDER THIS CONTRACT. COORDINATE WITH OWNER BEFORE ROUGHING-IN.
5. WIRING TO BE SUPPLIED AND INSTALLED UNDER THIS CONTRACT.
6. PROVIDE ALL NECESSARY HARDWARE TO FACILITATE INSTALLATION OF DEVICES.



- SA - 120 VOLT SMOKE ALARM C/W RM3A RELAY MODULE. (OWNER SUPPLIED)
- CO - 120 VOLT CARBON MONOXIDE DETECTOR C/W RM3A RELAY MODULE. (OWNER SUPPLIED)

Detail 5 - Wiring Diagram: Smoke & Carbon Monoxide Detector
Scale: NTS



- RE1 - RELAY 240 VOLT COIL 10A 600V CONTACTS, 2 POLE, EQUAL TO ALLEN BRADLEY BULLETIN 700P201. MOUNT IN GENERAL PURPOSE ENCLOSURE.

Detail 6 - Wiring Diagram: Power Loss Relay
Scale: NTS

0	DESCRIPTION	BY	yyyy-mm-dd
rev	description	by	date
Asset - Actif			
EDDY POINT, NS			
MCTS - T2201.00			
Drawing - Dessin			
Details			
designed - conception			date
drawn - dessin			date
checked - vérifié			date
approved - approuvé			date
APPROVED			YYYY.MM.DD
CCG ref. no. - no. réf. GCC			scale - échelle
REF NO / PROJ NO / FILE NO			N/A
drawing no. - no. dessin			sheet-feuille rev-rév
11F0601A00503		03/04	0

GENERAL NOTES:

1. ALL WORKMANSHIP, EXCEPT WHERE NOTED OTHERWISE SHALL BE IN ACCORDANCE WITH THE REQUIREMENTS OF THE NATIONAL BUILDING CODE OF CANADA (LATEST EDITION)
2. VERIFY ALL DIMENSIONS AND REPORT DISCREPANCIES BEFORE PROCEEDING WITH THE WORK. DO NOT SCALE FROM DRAWINGS.
3. MAKE ADEQUATE PROVISIONS FOR CONSTRUCTION STRESSES, WEATHER PROTECTION AND FOR SUFFICIENT TEMPORARY BRACING AND SHORING TO KEEP THE STRUCTURE PLUMB AND LEVEL DURING ALL PHASES OF WORK.
4. IT IS THE RESPONSIBILITY OF THE CONTRACTOR TO SAFEGUARD ALL EXISTING STRUCTURES AFFECTED BY THIS CONSTRUCTION.
5. ALL REQUIREMENTS FOR MECHANICAL AND ELECTRICAL AND ANY OTHER TRADES OR SERVICES AFFECTING THE STRUCTURE SHALL BE ESTABLISHED BY THE GENERAL CONTRACTOR IN CONSULTATION WITH CORRESPONDING MANUFACTURERS OR SUPPLIERS AND THE ENGINEER.

PAINTING NOTES:

1. ALL WORK TO CONFORM TO LATEST MPI REQUIREMENTS FOR INTERIOR PAINTING WORK INCLUDING PREPARATION AND PRIMING.
2. STANDARD OF ACCEPTANCE AS FOLLOWS:
 - 2.1. WALLS: NO DEFECTS VISIBLE FROM A DISTANCE OF 1000mm AT 90 DEGREES OF SURFACE.
 - 2.2. CEILINGS: NO DEFECTS VISIBLE FROM FLOOR AT 45 DEGREES TO SURFACE WHEN VIEWED FROM FINAL LIGHTING SOURCE.
 - 2.3. FINAL COAT TO EXHIBIT UNIFORMITY OF COLOR AND UNIFORMITY OF SHEEN ACROSS FULL SURFACE AREA.
3. SUBMIT PRODUCT DATA AND MANUFACTURE'S INSTALLATION/APPLICATION FOR EACH PAINT AND COATING PRODUCT TO BE USED.
4. PAINT MATERIALS SHALL BE PRODUCTS OF A SINGLE MANUFACTURER.
5. ONLY QUALIFIED PRODUCTS WITH E2 "ENVIRONMENTALLY FRIENDLY" RATING ARE ACCEPTABLE FOR USE ON THIS PROJECT.
6. APPLICATION ACCORDING TO MANUFACTURE'S INSTRUCTIONS.
7. ENGINEER TO PROVIDE COLOR SCHEME FOLLOWING CONTRACT AWARD.
8. UPON COMPLETION, SUBMIT RECORDS OF PRODUCTS USED. USE PRODUCTS IN RELATION TO FINISH SYSTEM AND INCLUDE THE FOLLOWING:
 - 8.1. PRODUCT NAME, TYPE AND USE
 - 8.2. MANUFACTURER'S PRODUCT NUMBER
 - 8.3. COLOR NUMBER
 - 8.4. MPI ENVIRONMENTALLY FRIENDLY CLASSIFICATION SYSTEM RATING
 - 8.5. MANUFACTURER'S MATERIAL SAFETY DATA SHEETS (MSDS)
9. SITE REQUIREMENTS
 - 9.1. HEATING, VENTILATION AND LIGHTING:
 - 9.1.1. PERFORM NO PAINTING WORK UNLESS ADEQUATE AND CONTINUOUS VENTILATION AND SUFFICIENT HEATING FACILITIES ARE IN PLACE TO MAINTAIN AMBIENT AIR AND SUBSTRATE TEMPERATURES FOR 24 HOURS BEFORE, DURING AND AFTER PAINT APPLICATION UNTIL PAINT HAS CURED SUFFICIENTLY.
 - 9.1.2. WHERE REQUIRED, PROVIDE CONTINUOUS VENTILATION FOR SEVEN DAYS AFTER COMPLETE APPLICATION OF PAINT.
 - 9.1.3. PERFORM NO PAINTING WORK UNLESS A MINIMUM LIGHTING LEVEL OF 323 LUXC IS PROVIDED ON SURFACES TO BE PAINTED. ADEQUATE LIGHTING FACILITIES SHALL BE PROVIDED BY GENERAL CONTRACTOR.
 - 9.2. TEMPERATURE, HUMIDITY AND SUBSTRATE MOISTURE CONTENT LEVELS:
 - 9.2.1. PERFORM NO PAINTING WORK WHEN THE MINIMUM MOISTURE CONTENT OF THE SUBSTRATE EXCEEDS 15% FOR WOOD.
 - 9.2.2. CONDUCT MOISTURE TESTS USING A PROPERLY CALIBRATED ELECTRONIC MOISTURE METER.
 - 9.3. SURFACE AND ENVIRONMENTAL CONDITIONS
 - 9.3.1. APPLY PAINT FINISH ONLY IN AREAS WHERE DUST IS NOT LONGER BEING GENERATED BY RELATED CONSTRUCTION OPERATIONS OR WHEN WIND OR VENTILATION CONDITIONS ARE SUCH THAT AIRBORNE PARTICLES WILL NOT AFFECT QUALITY OF FINISHED SURFACE.
 - 9.3.2. APPLY PAINT ONLY TO ADEQUATLY PREPARED SURFACES AND TO SURFACES WITHIN MOISTURE LIMITS NOTED HEREIN.
 - 9.3.3. APPLY PAINT ONLY WHEN PREVIOUS COAT OF PAINT IS DRY OR ADEQUATELY CURED.
 - 9.4. ADDITIONAL INTERIOR APPLICATION REQUIREMENTS
 - 9.4.1. APPLY PAINT FINISHES ONLY WHEN TEMPERATURE AT LOCATION OF INSTALLATION CAN BE SATISFACTORY WITHIN MANUFACTURER'S RECOMMENDATIONS.

ELECTRICAL NOTES:

1. PROVIDE ALL LABOR, MATERIAL, EQUIPMENT AND SERVICES TO COMPLETE ELECTRICAL INSTALLATION IN ACCORDANCE WITH THE DESIGN AND SPECIFICATIONS AND PRESENT IT FULLY OPERATIONAL TO THE SATISFACTION OF THE ENGINEER.
2. CARRY OUT WORK IN ACCORDANCE WITH ALL APPLICABLE CODES, STANDARDS, ORDINANCES AND HEALTH & SAFETY RULES.
3. PROVIDE ALL CUTTING AND PATCHING NECESSARY FOR THE INSTALLATION OF THE ELECTRICAL WORK. ANY DAMAGE DONE TO THE WORK ALREADY IN PLACE BY REASON OF THIS WORK SHALL BE REPAIRED AT THE CONTRACTOR'S EXPENSE BY A QUALIFIED TRADESPERSON EXPERIENCED IN SUCH WORK. PATCHING SHALL BE UNIFORM IN APPEARANCE AND SHALL MATCH THE SURROUNDING SURFACE. DO NOT CUT STRUCTURAL MEMBERS WITHOUT APPROVAL OF DEPARTMENTAL REPRESENTATIVE.
4. FABRICATION AND INSTALLATION OF THE COMPLETE ELECTRICAL SYSTEMS SHALL BE DONE IN A FIRST CLASS WORKMANSHIP BY QUALIFIED PERSONNEL EXPERIENCED IN SUCH WORK AND SHALL SCHEDULE THE WORK IN AN ORDERLY MANNER SO AS NOT TO IMPEDE PROGRESS OR DISRUPT CCG SERVICES.
5. AT THE COMPLETION OF THE ELECTRICAL INSTALLATION PROVIDE THREE SETS OF OPERATION AND MAINTENANCE MANUALS BOUND IN 3-RING HARD COVER BINDERS, DULY LABELED, CONTAINING A COMPLETE LIST OF REPLACEMENT EQUIPMENT.
6. COMPLETE INSTALLATION SHALL BE GAURANTEED FOR A PERIOD OF ONE (1) YEAR AFTER THE DATE OF WRITTEN ACCEPTANCE OF THE INSTALLATIONS BY OWNER. ANY WORK, MATERIAL OR EQUIPMENT FOUND TO BE FAULTY DURING THAT PERIOD SHALL BE CORRECTED AT ONCE, UPON WRITTEN NOTIFICATION, AT THE EXPENSE OF THE CONTRACTOR.

MECHANICAL NOTES:

COMMISSIONING

1. PROVIDE ALL NECESSARY LABOUR, MATERIALS, TOOLS AND EQUIPMENT FOR IMPLEMENTING ALL REQUIRED COMMISSIONING ACTIVITIES INCLUDING: ALL CHECKING, TESTING, ADJUSTING, AND FINE TUNING OF SYSTEM SET POINTS AND TO PUT SYSTEM INTO OPERATION.
2. COMPLETE A SYSTEMATIC VERIFICATION PROCEDURE TO ENSURE THAT:
 - 2.1. EQUIPMENT AND MATERIAL DELIVERED AND INSTALLED ARE IN ACCORDANCE WITH ALL APPLICABLE CODES, NORMAL GOOD PRACTICE, MANUFACTURE'S INSTALLATION GUIDELINES AND REQUIREMENTS OF THESE SPECIFICATIONS.
 - 2.2. EQUIPMENT IS SAFE TO BE STARTED.
3. COMPLETE A SYSTEMATIC VERIFICATION PROCEDURE TO ENSURE THAT EQUIPMENT AND SYSTEMS OPERATE SAFELY, EFFECIENTLY, AND IN GENERAL CONFORMITY WITH THE DESIGN INTENT INCLUDING:
 - 3.1. VERIFYING OPERATING CONDITIONS,
 - 3.2. VERIFYING PROPER OPERATION OF ALL SAFETY DEVICES,
 - 3.3. VERIFYING CONTROL SYSTEM OPERATION,
 - 3.4. VERIFYING SATISFACTORY EQUIPMENT OPERATING POINTS (FANS) AND MOTOR LOADINGS.
 - 3.5. VERIFYING LINKAGE BETWEEN INTERACTING SYSTEMS.

CARE, OPERATION AND START-UP

1. MANUFACTURES OR THEIR AGENTS TO UNDERTAKE EQUIPMENT START-UP WHERE REQUIRED BY THE SPECIFICATIONS OR WHERE REQUIRED BY THE EQUIPMENT MANUFACTURER AS A CONDITION OF WARRANTY. WHERE MANUFACTURER IS NOT REQUIRED TO DO START-UP, CARRY OUT IN ACCORDANCE WITH MANUFACTURER'S WRITTEN INSTRUCTIONS.
2. INSTRUCT OPERATING PERSONNEL IN THE OPERATION, CARE, MAINTENANCE OF EQUIPMENT

HEATING, VENTILATION AND AIR CONDITIONING

1. PRODUCTS

- 1.1. INTERIOR DUCTWORK SHALL BE FABRICATED FROM GALVANIZED STEEL TO ASTM A525 G90 DESIGNATION. METAL GAUGE SHALL BE IN ACCORDANCE WITH SMACNA STANDARDS.

2. EXECUTION

- 2.1. INSTALL ALL EQUIPMENT IN ACCORDANCE WITH MANUFACTURER'S RECOMMENDATION.
- 2.2. MANUFACTURE AND INSTALL ALL DUCTWORK IN ACCORDANCE WITH THE RECOMMENDATION WITH SMACNA.
- 2.3. ALL DUCTWORK CONNECTION TO ISOLATED EQUIPMENT TO BE MADE USING 100mm FLEXIBLE CONNECTIONS.
- 2.4. SEAL ALL JOINTS IN DUCTWORK.

CONTROL SYSTEMS

1. GENERAL

- 1.1. PROVIDE ALL THERMOSTATS, SENSORS, ACTUATORS, CONTROLLER, OPERATORS AND ACCESSORIES AS REQUIRED FOR FULL OPERATIONAL SEQUENCE AS DESCRIBED HEREIN.

2. PRODUCTS

- 2.1. WIRING: ALL WIRING TO BE IN ACCORDANCE WITH ELECTRICAL SPECIFICATION.

3. EXECUTION

- 3.1. INSTALL SYSTEMS AND RELATED CONTROLS USING FACTORY TRAINED JOURNEYMAN CERTIFIED BY THE PROVINCE OF NOVA SCOTIA.

0	DESCRIPTION	BY	DATE
rev	description	par	date

Asset - Actif

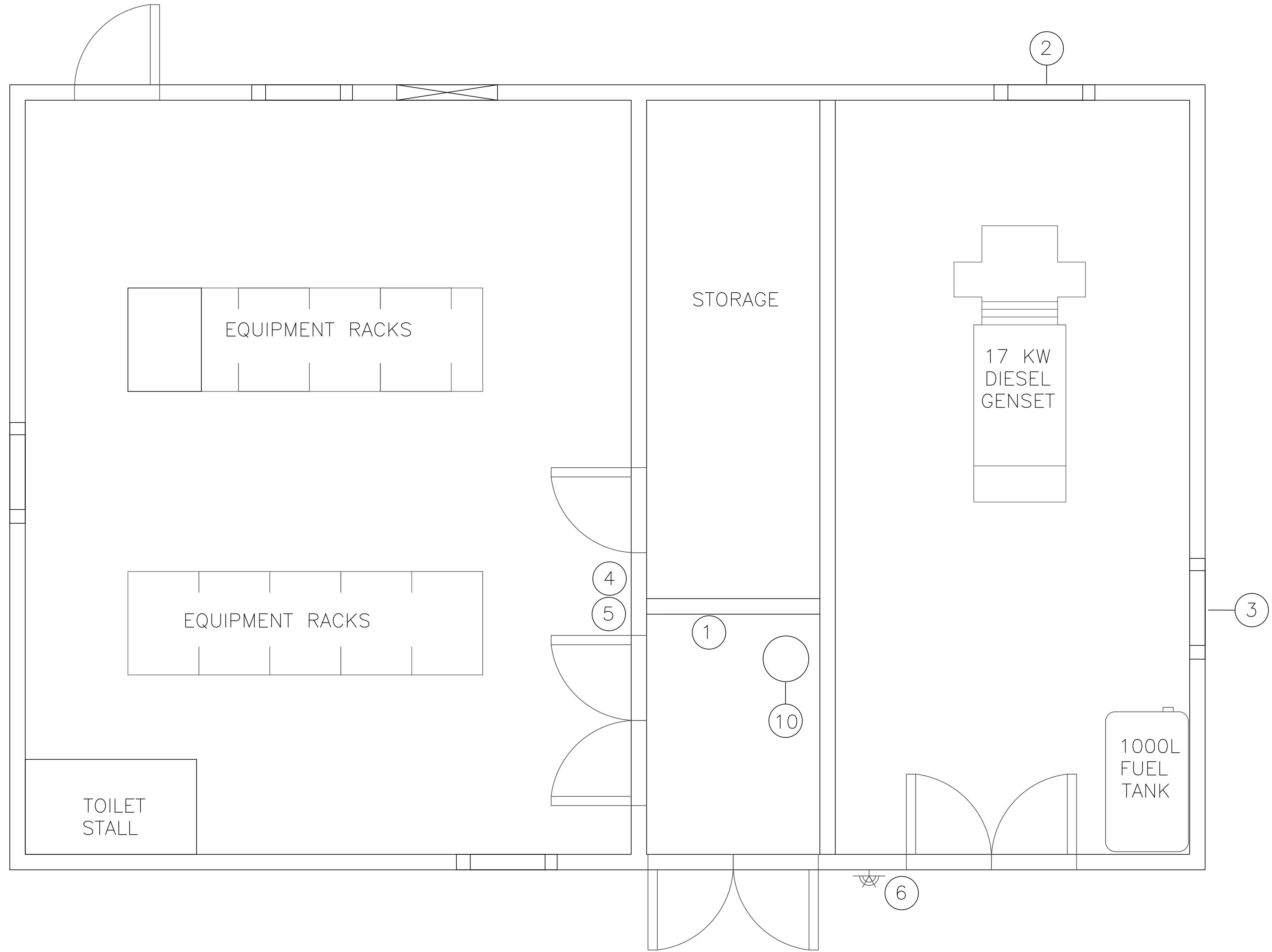
EDDY POINT, NS
MCTS - T2201.00

Drawing - Dessin
Notes

designed - conception	date
drawn - dessiné	date
A. SLANEY	2017-04-13
checked - vérifié	date
CHECKED	YYYY.MM.DD
approved - approuvé	date
APPROVED	YYYY.MM.DD
CCG ref. no. - no. réf. GCC	scale - échelle
REF NO / PROJ NO / FILE NO	N/A
drawing no. - no. dessin	sheet/feuille
11F0601A00504	04/04 0

List of Equipment
Associated Conduit & Wire To Be Removed

Item No.	Description
①	FIRE ALARM PANEL AND COMPONENTS
②	EXHAUST LOUVER, DAMPER AND MOTOR
③	F/A INTAKE LOUVER
④	THERMOSTAT (HEAT)
⑤	THERMOSTAT (COOL)
⑥	EXTERIOR LIGHT



Existing Floor Plan - Demolition
Scale: NTS

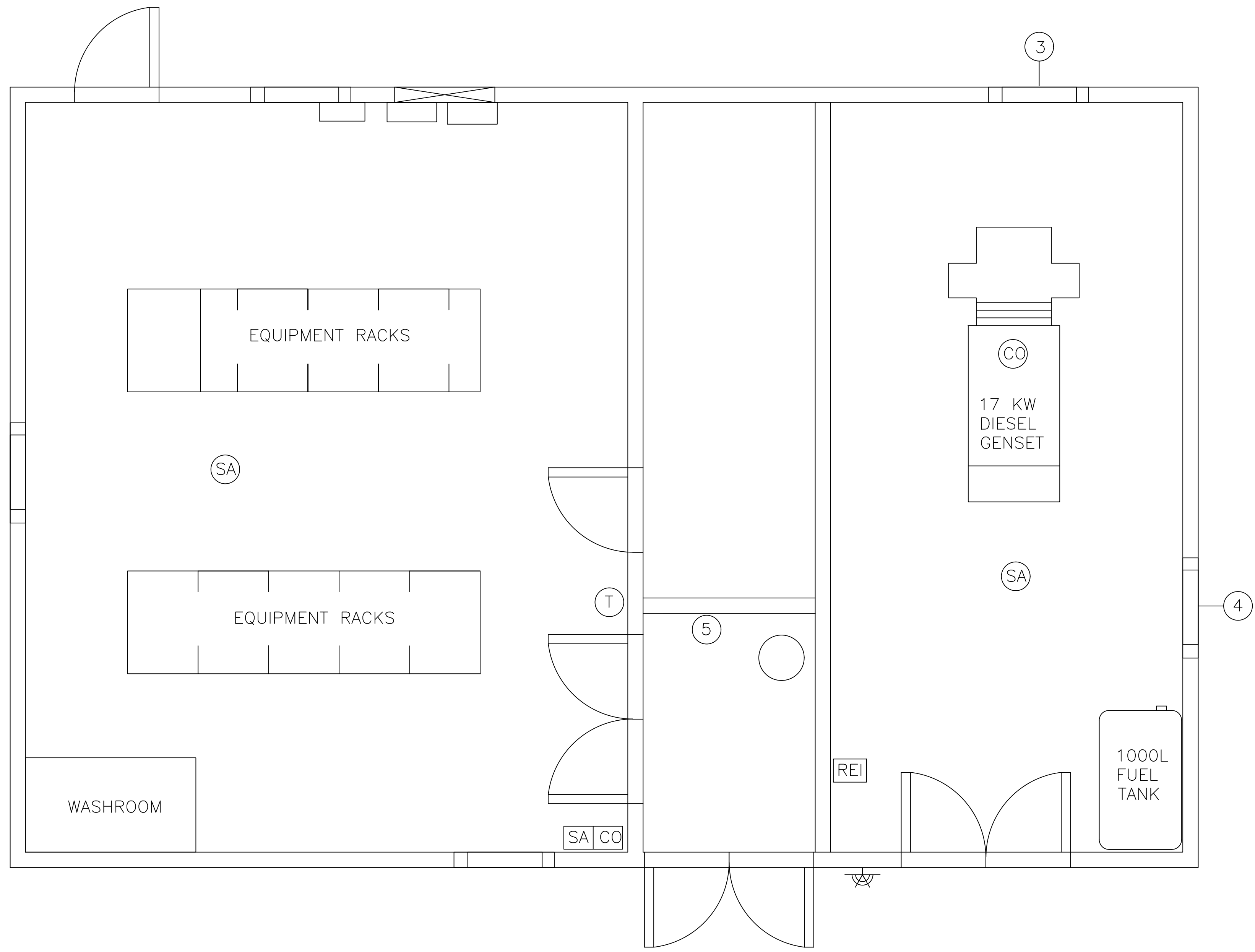
Vendor Information / Sous-traitant

- General Notes:
- 1) Do not scale from drawings.
 - 2) All layouts shown on the contract drawings are approximate and shall be verified by contractor on-site prior to commencement of work.
 - 3) The owner shall retain first right of refusal of ALL material and equipment slated for demolition and/or removal.

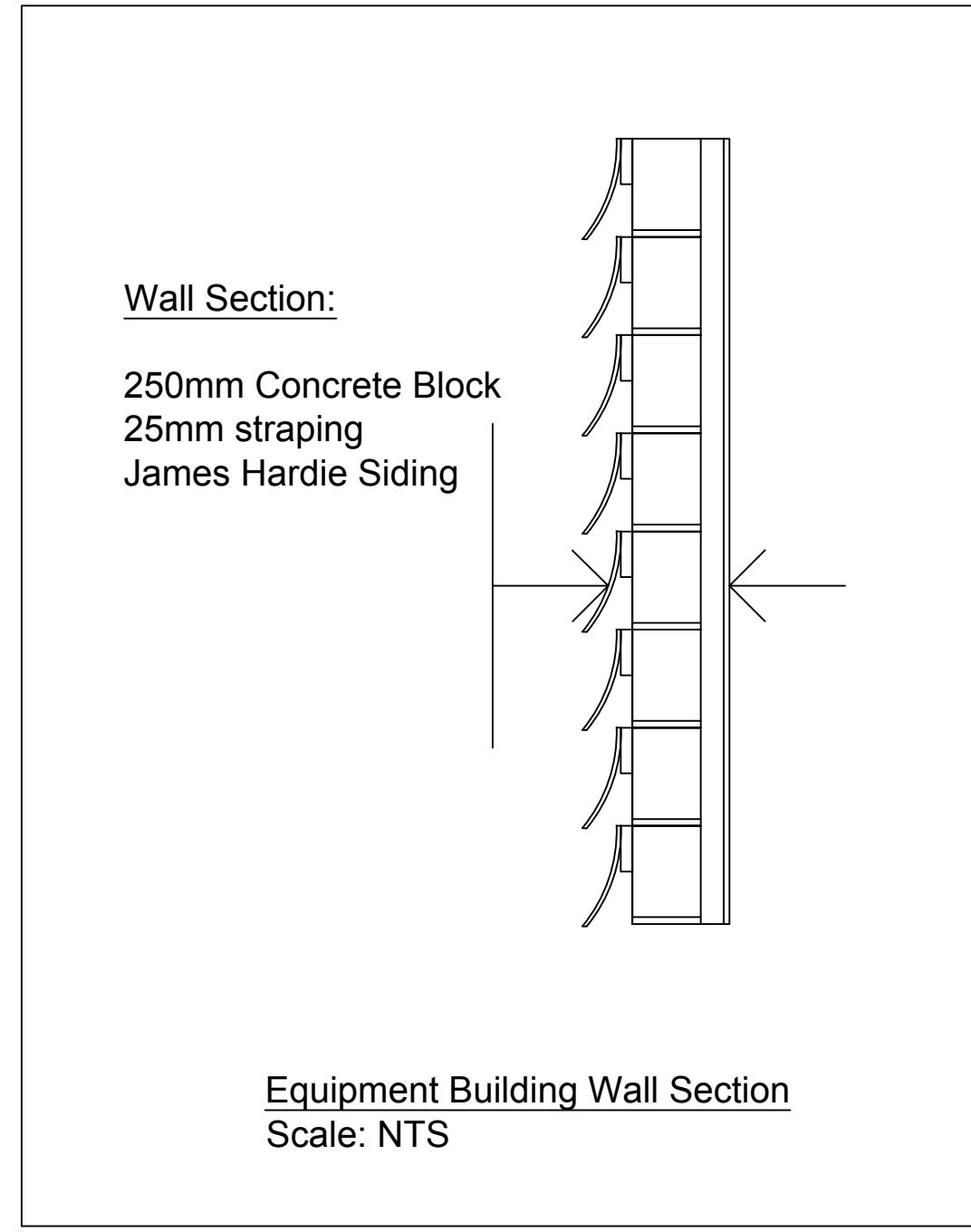
0	DESCRIPTION	BY	yyyy-mm-dd
rev	description	by	date
Asset - Actif			
FOX ISLAND, NS MCTS - T2201.00			
Drawing - Dessin			
Demolition Plan			
designed - conception			date
drawn - dessiné			date
checked - vérifié			date
approved - approuvé			date
CCG ref. no. - no. réf. GCC			scale - échelle
REF NO / PROJ NO / FILE NO			N/A
drawing no. - no. dessin			sheet-feuille
11F0602A01301		01/04	0

D
C
B
A

Equipment Legend	
Item	Description
	Install owner supplied exterior LED light
	Install owner supplied Heat/Cool thermostat (Control wiring as per detail 4)
	Install owner supplied smoke alarms (2) (wiring as per det. 5)
	Install owner supplied relays. (wiring as per detail 5)
	Supply & install power loss relay. (Wiring as per detail 6)
	Install owner supplied carbon monoxide detector (wiring as per det. 5)
	Install generator room intake as per detail 3
	Install generator room exhaust as per detail 2
	Supply & install security system wiring termination panel as per detail 3.



Existing Floor Plan - Demolition
Scale: NTS

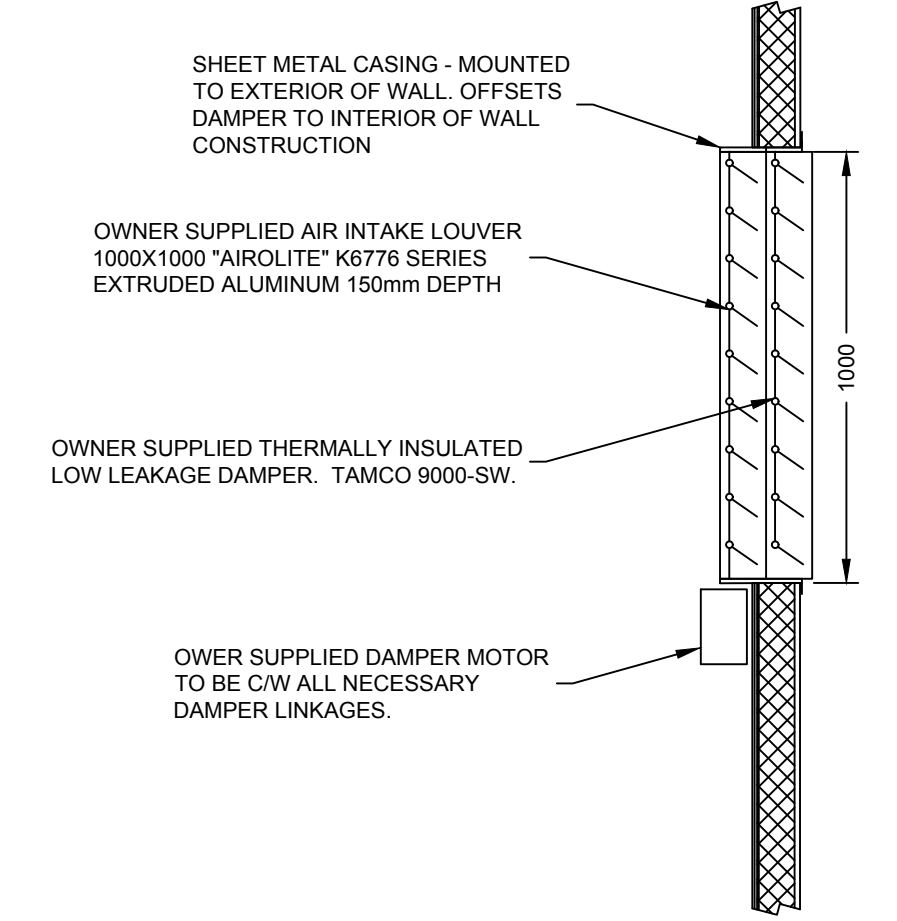


Vendor Information / Sous-traitant

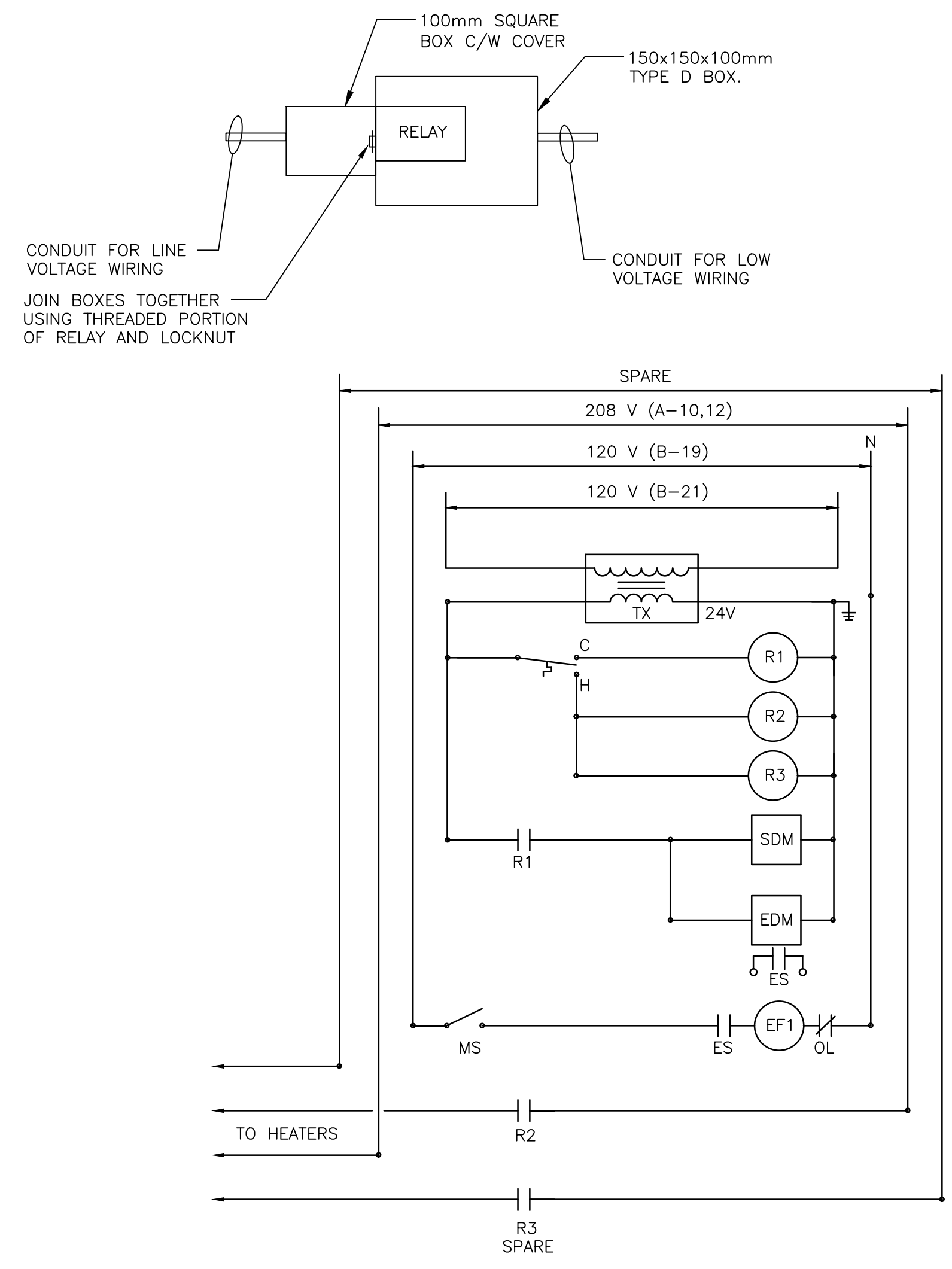
- Notes:
- 1) Access to attic identified in floor plan as "Attic".
 - 2) Contractor to confirm critical items by site visit.
 - 3) Contractor to re-attach existing ground connectors following new equipment installation. Locations of new equipment to be confirmed in the field.
 - 4) Locations of new equipment to be confirmed in the field.
 - 5) Painting as per Notes.

0	DESCRIPTION	BY	yyyy-mm-dd
rev	description	by	date
Asset - Actif			
FOX ISLAND, NS			
MCTS - T2201.00			
Drawing - Dessin			
New Construction			
designed - conception			
date			
drawn - dessiné			
date			
A. SLANEY 2017-04-13			
checked - vérifié			
date			
CHECKED YYYYY.MM.DD			
approved - approuvé			
date			
APPROVED YYYYY.MM.DD			
CCG ref. no. - no. réf. GCC			
scale - échelle			
REF NO / PROJ NO / FILE NO			
N/A			
drawing no. - no. dessin			
sheet/feuille			
rev-rév			
11F0602A01302 02/04 0			

D
C
B
A

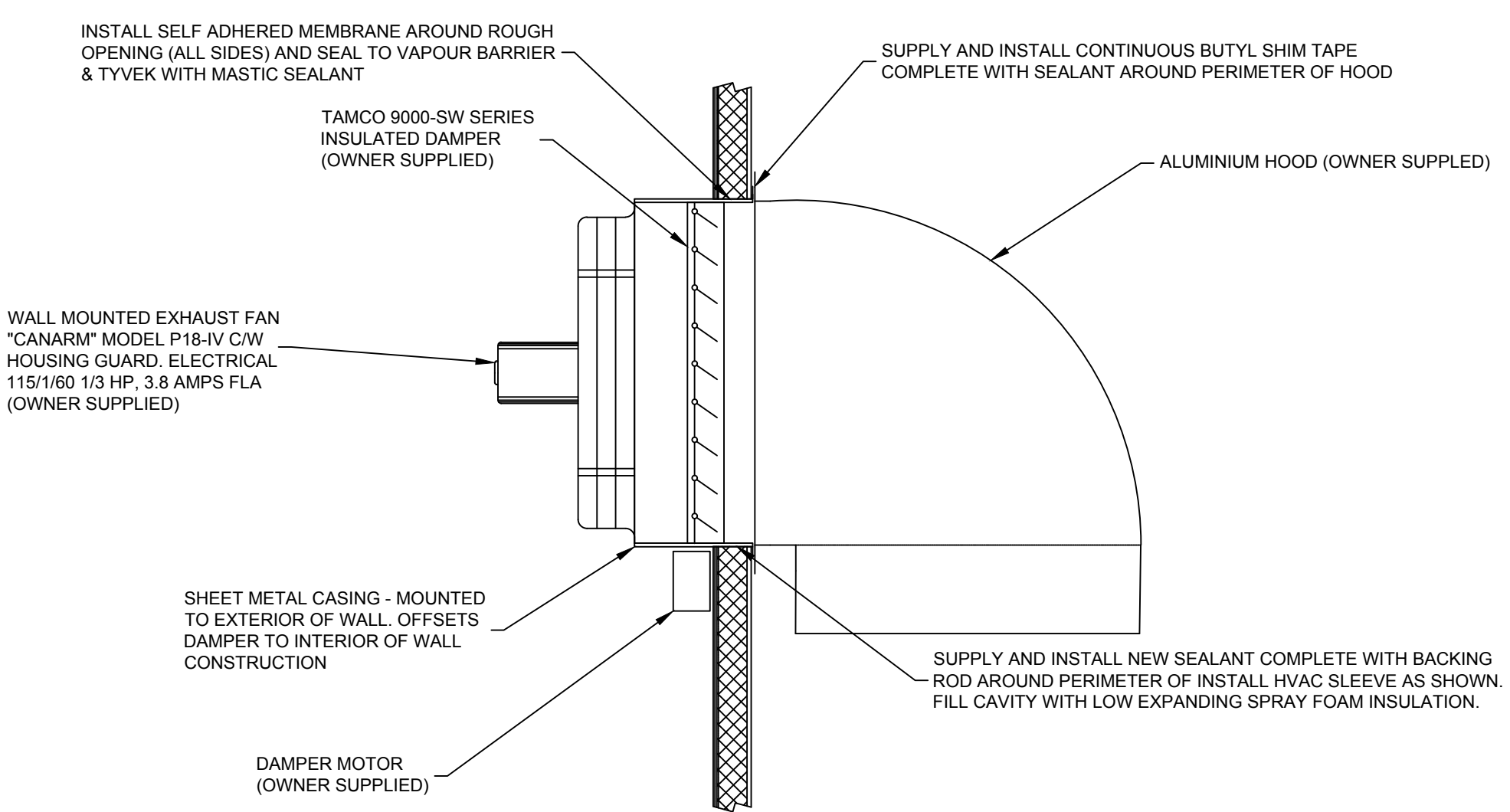


Detail 3 - Generator Room Intake Arrangement
Scale: NTS

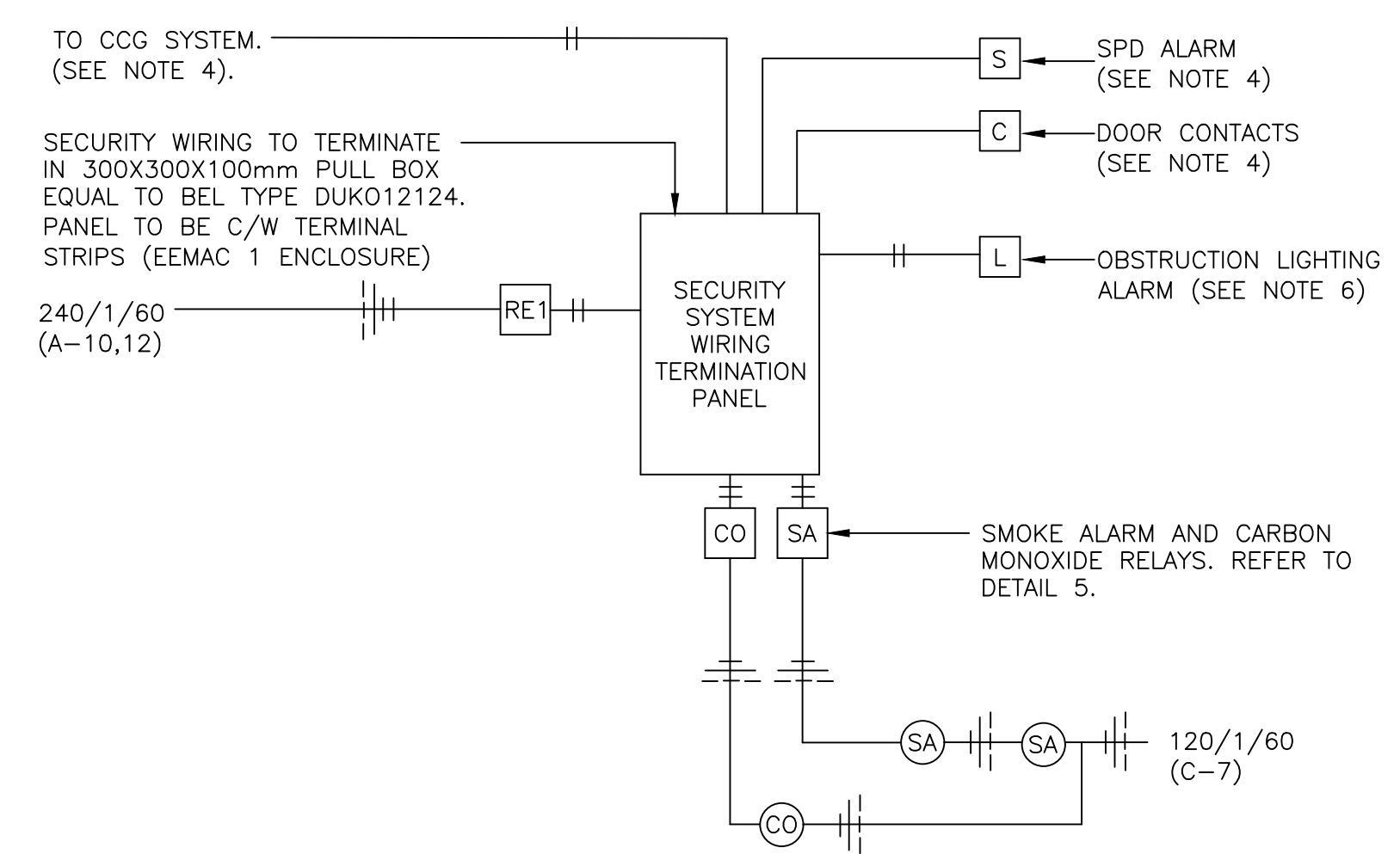


- LEGEND:**
- ES - END SWITCH LOCATED AT EXHAUST DAMPER.
 - EF1 - EXHAUST FAN.
 - SDM - SUPPLY DAMPER MOTOR.
 - EDM - EXHAUST DAMPER MOTOR.
 - OL - OVERLOAD PROTECTION IN STARTER.
- T HEATING/COOLING THERMOSTAT SUPPLIED BY OWNER AND CONTRACTOR INSTALLED. COOLING ON AT 28 DEGREES C. HEATING ON AT 10 DEGREES C.
- R1 RELAY 600V, 35AMP CONTACT, 2 POLE 24 VOLT COIL C/W TYPE 1 GENERAL PURPOSE ENCLOSURE EQUAL TO BRADLEY TYPE 700PH201.
- R2 R3 RELAY, 24V COIL, 2 POLE, 10A, 208V CONTACTS. MOUNT USING 150x150x100mm BOX AS PER THIS DETAIL.
- TX SINGLE PHASE ENCLOSED CONTROL TRANSFORMER, 120 VOLT PRIMARY, 24 VOLT SECONDARY, 100VA EQUAL TO HAMMOND EG2G. LOCATE NEXT TO STARTER FOR EF-1.
- MS MANUAL MOTOR STARTER EQUAL TO ALLEN BRADLEY BULLETIN 600TAX216 C/W 600-N1 LOCKING ATTACHMENT.

Detail 4 - Equipment Room Heating/Cooling Control Diagram
Scale: NTS

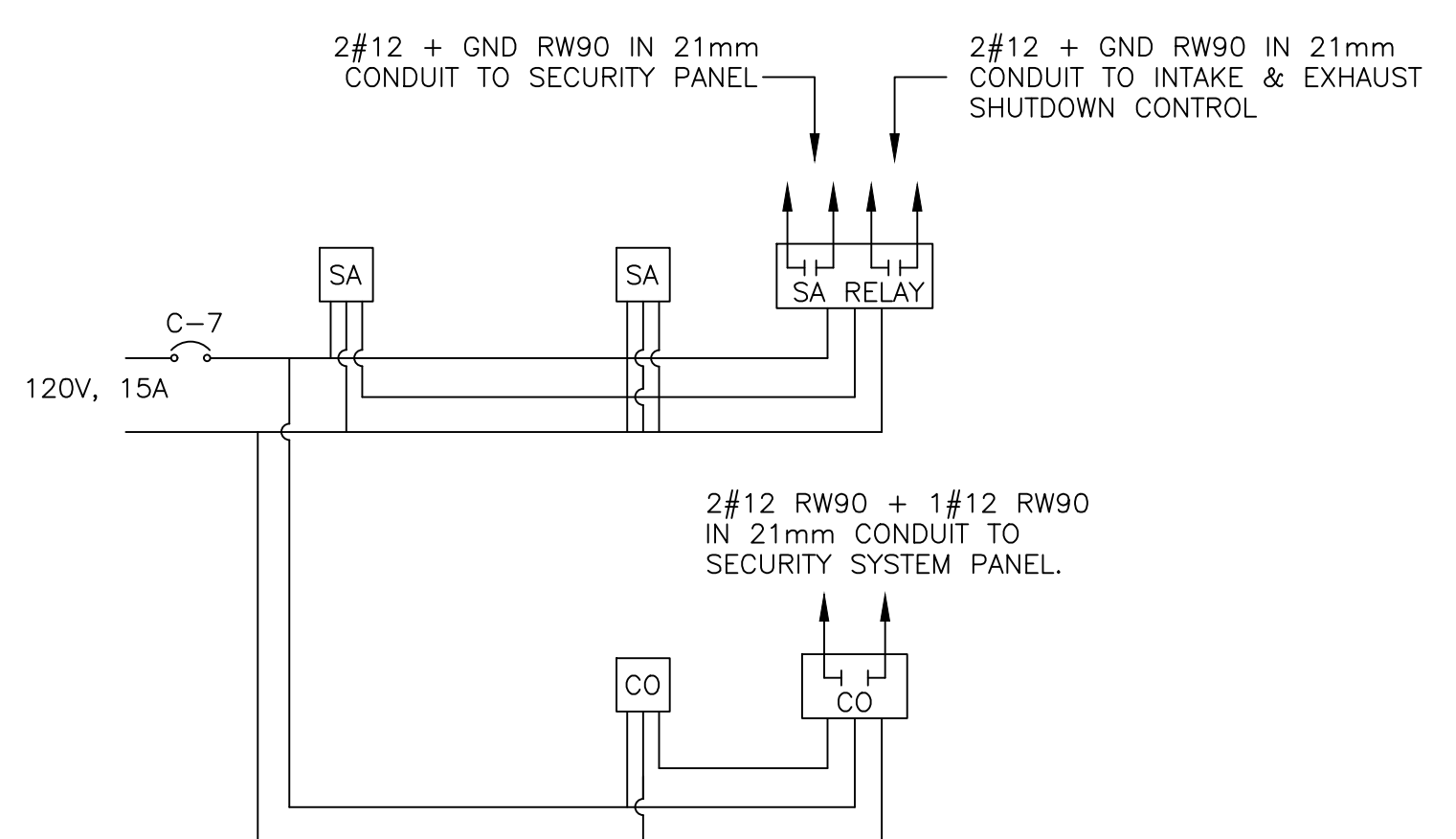


Detail 2 - Typical Panel Fan/Weather Hood Arrangement
Scale: NTS



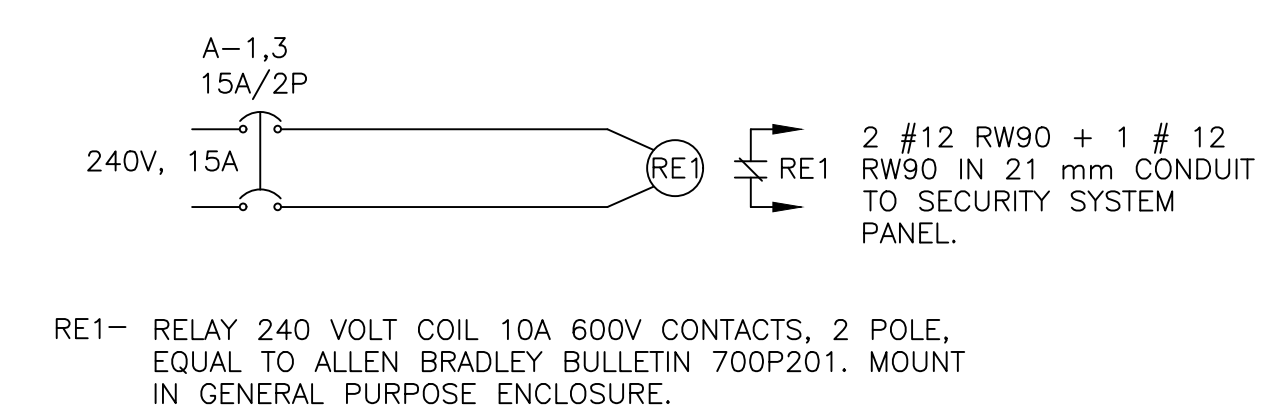
Detail 3 - Security System Riser Diagram
Scale: NTS

- NOTES**
1. PROVIDE LABELS FOR ALL CONTACTS.
 2. TERMINAL BLOCKS TO BE EQUAL TO WEIDMULLER TYPE SAK10.
 3. TIE THE SMOKE & CO ALARMS IN PARALLEL AT SECURITY TERMINATION PANEL.
 4. CCG SYSTEM SUPPLIED AND INSTALLED BY OWNER. PROVIDE CONDUIT AND WIRE UNDER THIS CONTRACT. COORDINATE WITH OWNER BEFORE ROUGHING-IN.
 5. WIRING TO BE SUPPLIED AND INSTALLED UNDER THIS CONTRACT.
 6. PROVIDE ALL NECESSARY HARDWARE TO FACILITATE INSTALLATION OF DEVICES.



Detail 5 - Wiring Diagram: Smoke & Carbon Monoxide Detector
Scale: NTS

- SA - 120 VOLT SMOKE ALARM C/W RM3A RELAY MODULE. (OWNER SUPPLIED)
- CO - 120 VOLT CARBON MONOXIDE DETECTOR C/W RM3A RELAY MODULE. (OWNER SUPPLIED)



Detail 6 - Wiring Diagram: Power Loss Relay
Scale: NTS

- RE1 - RELAY 240 VOLT COIL 10A 600V CONTACTS, 2 POLE, EQUAL TO ALLEN BRADLEY BULLETIN 700P201. MOUNT IN GENERAL PURPOSE ENCLOSURE.

0	DESCRIPTION	BY	yyyy-mm-dd
rev	description	by	date
Asset - Actif			
FOX ISLAND, NS			
MCTS - T2201.00			
Drawing - Dessin			
Details			
designed - conception		date	
drawn - dessin		date	
checked - vérifié		date	2017-04-13
CHECKED		date	YYYY.MM.DD
approved - approuvé		date	
APPROVED		date	YYYY.MM.DD
CCG ref. no. - no. réf. GCC		scale - échelle	
REF NO / PROJ NO / FILE NO		N/A	
drawing no. - no. dessin		sheet-feuille	rev-rév
11F0602A01303		03/04	0

GENERAL NOTES:

1. ALL WORKMANSHIP, EXCEPT WHERE NOTED OTHERWISE SHALL BE IN ACCORDANCE WITH THE REQUIREMENTS OF THE NATIONAL BUILDING CODE OF CANADA (LATEST EDITION)
2. VERIFY ALL DIMENSIONS AND REPORT DISCREPANCIES BEFORE PROCEEDING WITH THE WORK. DO NOT SCALE FROM DRAWINGS.
3. MAKE ADEQUATE PROVISIONS FOR CONSTRUCTION STRESSES, WEATHER PROTECTION AND FOR SUFFICIENT TEMPORARY BRACING AND SHORING TO KEEP THE STRUCTURE PLUMB AND LEVEL DURING ALL PHASES OF WORK.
4. IT IS THE RESPONSIBILITY OF THE CONTRACTOR TO SAFEGUARD ALL EXISTING STRUCTURES AFFECTED BY THIS CONSTRUCTION.
5. ALL REQUIREMENTS FOR MECHANICAL AND ELECTRICAL AND ANY OTHER TRADES OR SERVICES AFFECTING THE STRUCTURE SHALL BE ESTABLISHED BY THE GENERAL CONTRACTOR IN CONSULTATION WITH CORRESPONDING MANUFACTURERS OR SUPPLIERS AND THE ENGINEER.

PAINTING NOTES:

1. ALL WORK TO CONFORM TO LATEST MPI REQUIREMENTS FOR INTERIOR PAINTING WORK INCLUDING PREPARATION AND PRIMING.
2. STANDARD OF ACCEPTANCE AS FOLLOWS:
 - 2.1. WALLS: NO DEFECTS VISIBLE FROM A DISTANCE OF 1000mm AT 90 DEGREES OF SURFACE.
 - 2.2. CEILINGS: NO DEFECTS VISIBLE FROM FLOOR AT 45 DEGREES TO SURFACE WHEN VIEWED FROM FINAL LIGHTING SOURCE.
 - 2.3. FINAL COAT TO EXHIBIT UNIFORMITY OF COLOR AND UNIFORMITY OF SHEEN ACROSS FULL SURFACE AREA.
3. SUBMIT PRODUCT DATA AND MANUFACTURE'S INSTALLATION/APPLICATION FOR EACH PAINT AND COATING PRODUCT TO BE USED.
4. PAINT MATERIALS SHALL BE PRODUCTS OF A SINGLE MANUFACTURER.
5. ONLY QUALIFIED PRODUCTS WITH E2 "ENVIRONMENTALLY FRIENDLY" RATING ARE ACCEPTABLE FOR USE ON THIS PROJECT.
6. APPLICATION ACCORDING TO MANUFACTURE'S INSTRUCTIONS.
7. ENGINEER TO PROVIDE COLOR SCHEME FOLLOWING CONTRACT AWARD.
8. UPON COMPLETION, SUBMIT RECORDS OF PRODUCTS USED. USE PRODUCTS IN RELATION TO FINISH SYSTEM AND INCLUDE THE FOLLOWING:
 - 8.1. PRODUCT NAME, TYPE AND USE
 - 8.2. MANUFACTURER'S PRODUCT NUMBER
 - 8.3. COLOR NUMBER
 - 8.4. MPI ENVIRONMENTALLY FRIENDLY CLASSIFICATION SYSTEM RATING
 - 8.5. MANUFACTURER'S MATERIAL SAFETY DATA SHEETS (MSDS)
9. SITE REQUIREMENTS
 - 9.1. HEATING, VENTILATION AND LIGHTING:
 - 9.1.1. PERFORM NO PAINTING WORK UNLESS ADEQUATE AND CONTINUOUS VENTILATION AND SUFFICIENT HEATING FACILITIES ARE IN PLACE TO MAINTAIN AMBIENT AIR AND SUBSTRATE TEMPERATURES FOR 24 HOURS BEFORE, DURING AND AFTER PAINT APPLICATION UNTIL PAINT HAS CURED SUFFICIENTLY.
 - 9.1.2. WHERE REQUIRED, PROVIDE CONTINUOUS VENTILATION FOR SEVEN DAYS AFTER COMPLETE APPLICATION OF PAINT.
 - 9.1.3. PERFORM NO PAINTING WORK UNLESS A MINIMUM LIGHTING LEVEL OF 323 LUXC IS PROVIDED ON SURFACES TO BE PAINTED. ADEQUATE LIGHTING FACILITIES SHALL BE PROVIDED BY GENERAL CONTRACTOR.
 - 9.2. TEMPERATURE, HUMIDITY AND SUBSTRATE MOISTURE CONTENT LEVELS:
 - 9.2.1. PERFORM NO PAINTING WORK WHEN THE MINIMUM MOISTURE CONTENT OF THE SUBSTRATE EXCEEDS 15% FOR WOOD.
 - 9.2.2. CONDUCT MOISTURE TESTS USING A PROPERLY CALIBRATED ELECTRONIC MOISTURE METER.
 - 9.3. SURFACE AND ENVIRONMENTAL CONDITIONS
 - 9.3.1. APPLY PAINT FINISH ONLY IN AREAS WHERE DUST IS NOT LONGER BEING GENERATED BY RELATED CONSTRUCTION OPERATIONS OR WHEN WIND OR VENTILATION CONDITIONS ARE SUCH THAT AIRBORNE PARTICLES WILL NOT AFFECT QUALITY OF FINISHED SURFACE.
 - 9.3.2. APPLY PAINT ONLY TO ADEQUATLY PREPARED SURFACES AND TO SURFACES WITHIN MOISTURE LIMITS NOTED HEREIN.
 - 9.3.3. APPLY PAINT ONLY WHEN PREVIOUS COAT OF PAINT IS DRY OR ADEQUATELY CURED.
 - 9.4. ADDITIONAL INTERIOR APPLICATION REQUIREMENTS
 - 9.4.1. APPLY PAINT FINISHES ONLY WHEN TEMPERATURE AT LOCATION OF INSTALLATION CAN BE SATISFACTORY WITHIN MANUFACTURER'S RECOMMENDATIONS.

ELECTRICAL NOTES:

1. PROVIDE ALL LABOR, MATERIAL, EQUIPMENT AND SERVICES TO COMPLETE ELECTRICAL INSTALLATION IN ACCORDANCE WITH THE DESIGN AND SPECIFICATIONS AND PRESENT IT FULLY OPERATIONAL TO THE SATISFACTION OF THE ENGINEER.
2. CARRY OUT WORK IN ACCORDANCE WITH ALL APPLICABLE CODES, STANDARDS, ORDINANCES AND HEALTH & SAFETY RULES.
3. PROVIDE ALL CUTTING AND PATCHING NECESSARY FOR THE INSTALLATION OF THE ELECTRICAL WORK. ANY DAMAGE DONE TO THE WORK ALREADY IN PLACE BY REASON OF THIS WORK SHALL BE REPAIRED AT THE CONTRACTOR'S EXPENSE BY A QUALIFIED TRADESPERSON EXPERIENCED IN SUCH WORK. PATCHING SHALL BE UNIFORM IN APPEARANCE AND SHALL MATCH THE SURROUNDING SURFACE. DO NOT CUT STRUCTURAL MEMBERS WITHOUT APPROVAL OF DEPARTMENTAL REPRESENTATIVE.
4. FABRICATION AND INSTALLATION OF THE COMPLETE ELECTRICAL SYSTEMS SHALL BE DONE IN A FIRST CLASS WORKMANSHIP BY QUALIFIED PERSONNEL EXPERIENCED IN SUCH WORK AND SHALL SCHEDULE THE WORK IN AN ORDERLY MANNER SO AS NOT TO IMPEDE PROGRESS OR DISRUPT CCG SERVICES.
5. AT THE COMPLETION OF THE ELECTRICAL INSTALLATION PROVIDE THREE SETS OF OPERATION AND MAINTENANCE MANUALS BOUND IN 3-RING HARD COVER BINDERS, DULY LABELED, CONTAINING A COMPLETE LIST OF REPLACEMENT EQUIPMENT.
6. COMPLETE INSTALLATION SHALL BE GAURANTEED FOR A PERIOD OF ONE (1) YEAR AFTER THE DATE OF WRITTEN ACCEPTANCE OF THE INSTALLATIONS BY OWNER. ANY WORK, MATERIAL OR EQUIPMENT FOUND TO BE FAULTY DURING THAT PERIOD SHALL BE CORRECTED AT ONCE, UPON WRITTEN NOTIFICATION, AT THE EXPENSE OF THE CONTRACTOR.

MECHANICAL NOTES:

COMMISSIONING

1. PROVIDE ALL NECESSARY LABOUR, MATERIALS, TOOLS AND EQUIPMENT FOR IMPLEMENTING ALL REQUIRED COMMISSIONING ACTIVITIES INCLUDING: ALL CHECKING, TESTING, ADJUSTING, AND FINE TUNING OF SYSTEM SET POINTS AND TO PUT SYSTEM INTO OPERATION.
2. COMPLETE A SYSTEMATIC VERIFICATION PROCEDURE TO ENSURE THAT:
 - 2.1. EQUIPMENT AND MATERIAL DELIVERED AND INSTALLED ARE IN ACCORDANCE WITH ALL APPLICABLE CODES, NORMAL GOOD PRACTICE, MANUFACTURE'S INSTALLATION GUIDELINES AND REQUIREMENTS OF THESE SPECIFICATIONS.
 - 2.2. EQUIPMENT IS SAFE TO BE STARTED.
3. COMPLETE A SYSTEMATIC VERIFICATION PROCEDURE TO ENSURE THAT EQUIPMENT AND SYSTEMS OPERATE SAFELY, EFFECIENTLY, AND IN GENERAL CONFORMITY WITH THE DESIGN INTENT INCLUDING:
 - 3.1. VERIFYING OPERATING CONDITIONS,
 - 3.2. VERIFYING PROPER OPERATION OF ALL SAFETY DEVICES,
 - 3.3. VERIFYING CONTROL SYSTEM OPERATION,
 - 3.4. VERIFYING SATISFACTORY EQUIPMENT OPERATING POINTS (FANS) AND MOTOR LOADINGS.
 - 3.5. VERIFYING LINKAGE BETWEEN INTERACTING SYSTEMS.

CARE, OPERATION AND START-UP

1. MANUFACTURES OR THEIR AGENTS TO UNDERTAKE EQUIPMENT START-UP WHERE REQUIRED BY THE SPECIFICATIONS OR WHERE REQUIRED BY THE EQUIPMENT MANUFACTURER AS A CONDITION OF WARRANTY. WHERE MANUFACTURER IS NOT REQUIRED TO DO START-UP, CARRY OUT IN ACCORDANCE WITH MANUFACTURER'S WRITTEN INSTRUCTIONS.
2. INSTRUCT OPERATING PERSONNEL IN THE OPERATION, CARE, MAINTENANCE OF EQUIPMENT

HEATING, VENTILATION AND AIR CONDITIONING

1. PRODUCTS

- 1.1. INTERIOR DUCTWORK SHALL BE FABRICATED FROM GALVANIZED STEEL TO ASTM A525 G90 DESIGNATION. METAL GAUGE SHALL BE IN ACCORDANCE WITH SMACNA STANDARDS.

2. EXECUTION

- 2.1. INSTALL ALL EQUIPMENT IN ACCORDANCE WITH MANUFACTURER'S RECOMMENDATION.
- 2.2. MANUFACTURE AND INSTALL ALL DUCTWORK IN ACCORDANCE WITH THE RECOMMENDATION WITH SMACNA.
- 2.3. ALL DUCTWORK CONNECTION TO ISOLATED EQUIPMENT TO BE MADE USING 100mm FLEXIBLE CONNECTIONS.
- 2.4. SEAL ALL JOINTS IN DUCTWORK.

CONTROL SYSTEMS

1. GENERAL

- 1.1. PROVIDE ALL THERMOSTATS, SENSORS, ACTUATORS, CONTROLLER, OPERATORS AND ACCESSORIES AS REQUIRED FOR FULL OPERATIONAL SEQUENCE AS DESCRIBED HEREIN.

2. PRODUCTS

- 2.1. WIRING: ALL WIRING TO BE IN ACCORDANCE WITH ELECTRICAL SPECIFICATION.

3. EXECUTION

- 3.1. INSTALL SYSTEMS AND RELATED CONTROLS USING FACTORY TRAINED JOURNEYMAN CERTIFIED BY THE PROVINCE OF NOVA SCOTIA.

Vendor Information / Sous-traitant

0	DESCRIPTION	BY	yyyy-mm-dd
rev	description	par	date

Asset - Actif

FOX ISLAND, NS
MCTS - T2201.00

Drawing - Dessin
Notes

designed - conception	date
drawn - dessiné	date
A. SLANEY	2017-04-13
checked - vérifié	date
CHECKED	YYYY.MM.DD
approved - approuvé	date
APPROVED	YYYY.MM.DD
CCG ref. no. - no. réf. GCC	scale - échelle
REF NO / PROJ NO / FILE NO	N/A
drawing no. - no. dessin	sheet/feuille
11F0602A01304	04/04
	rev-rév
	0