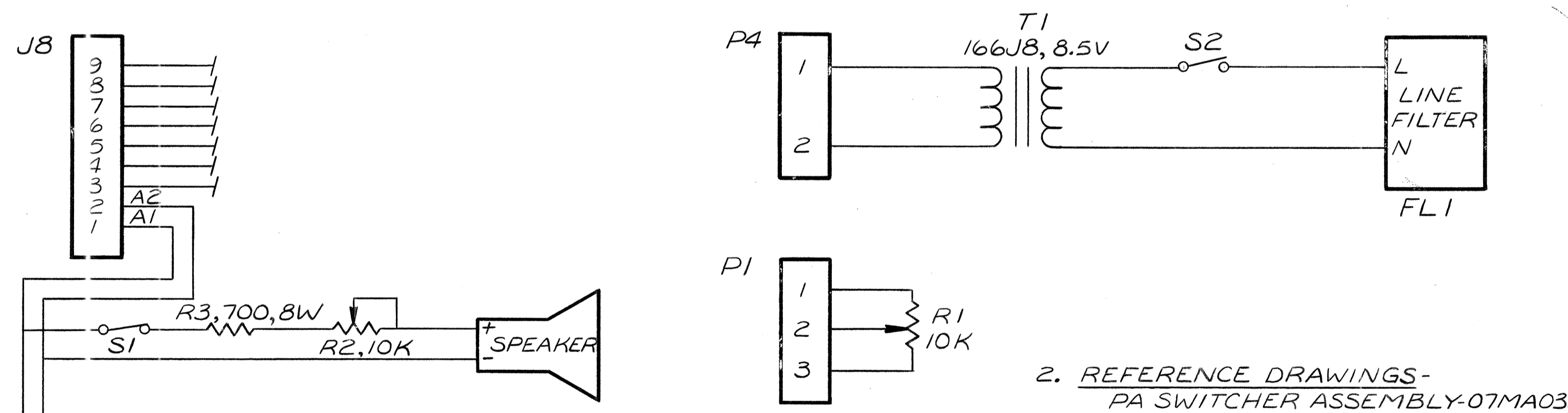
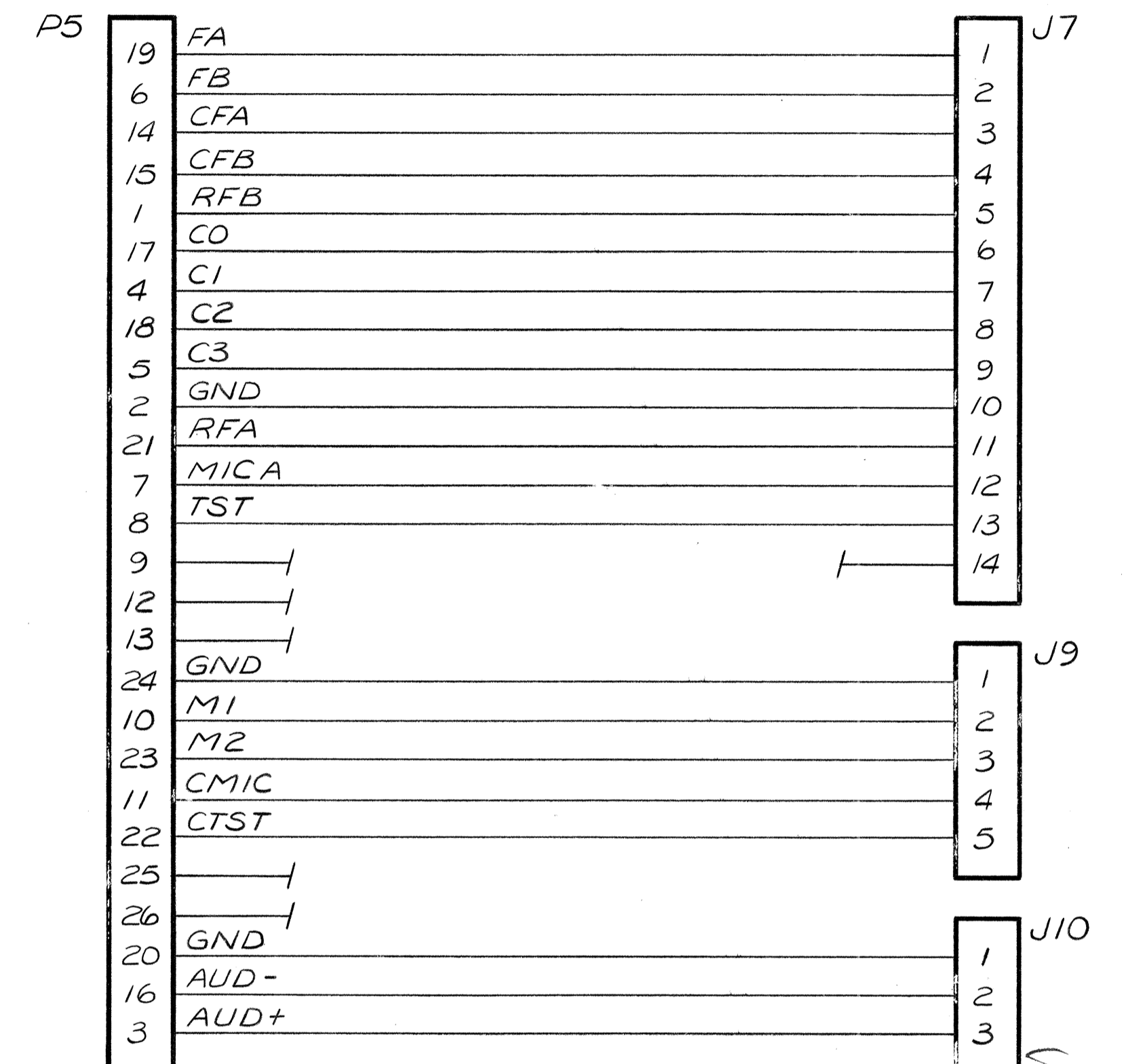
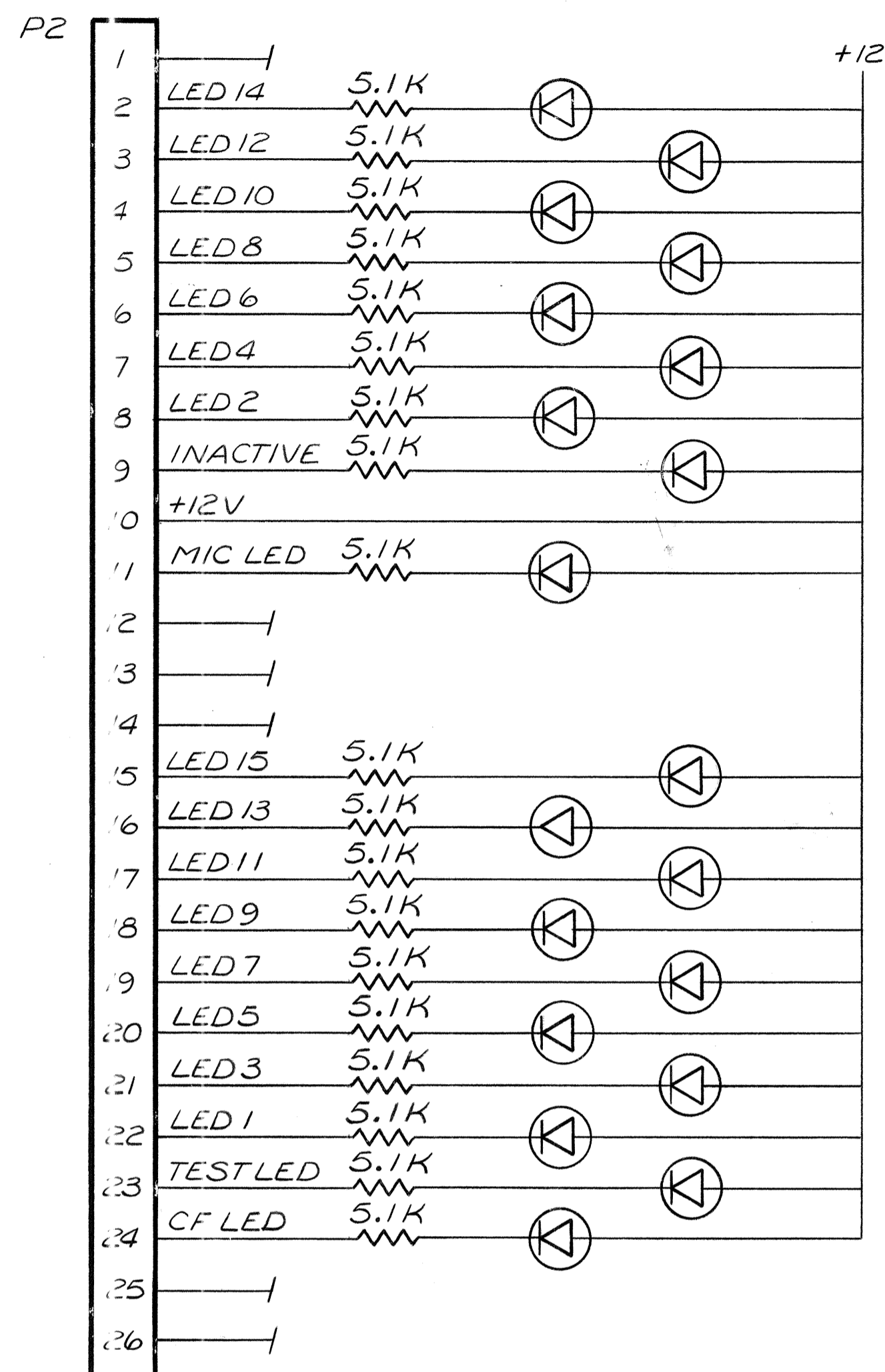
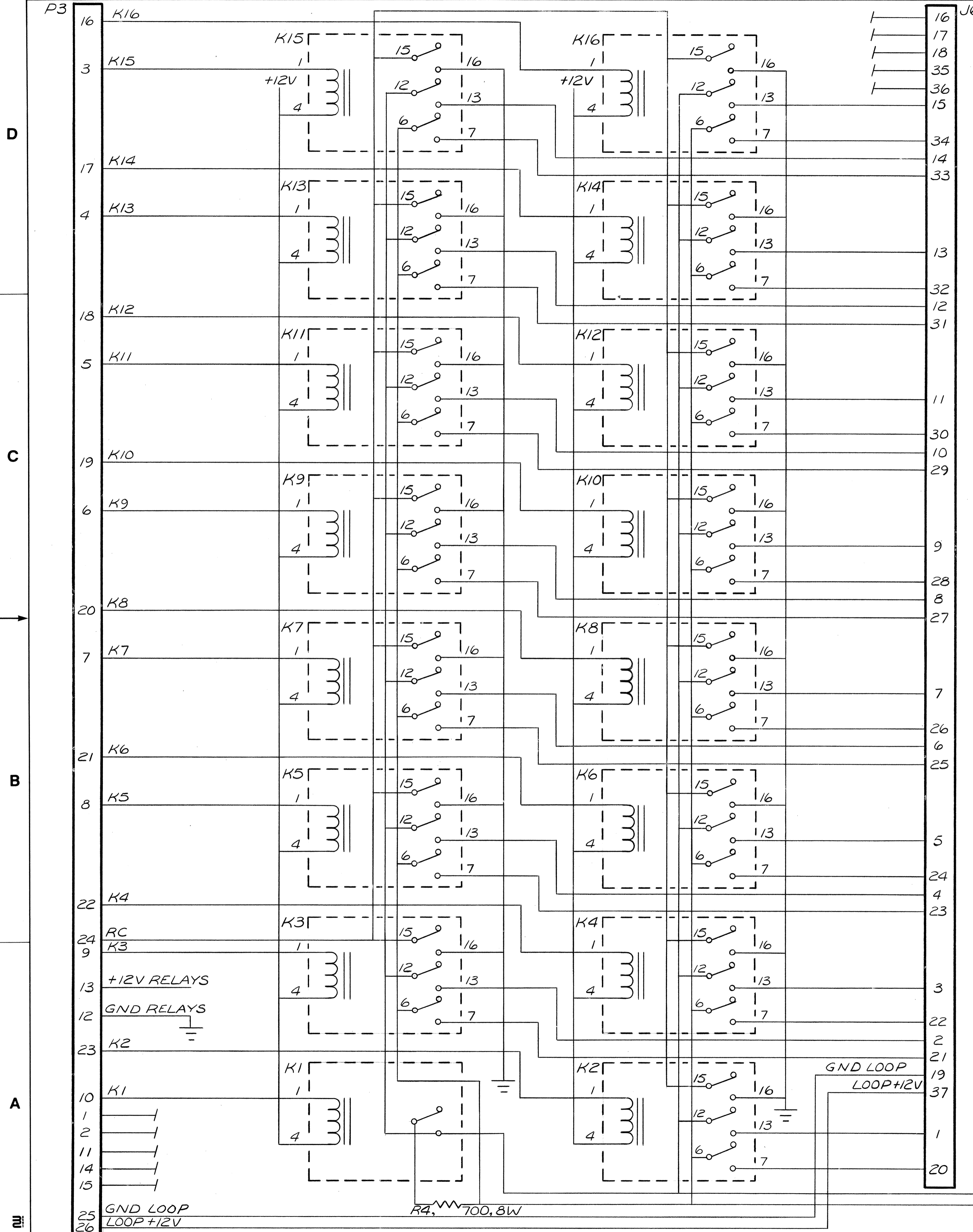


ZONE		LTR		DESCRIPTION	DATE	APPROVED
				CONFIGURATION BASELINE	11 SEPT 85	[Signature]
				PROD. RELEASE	11 SEPT 85	[Signature]



2. REFERENCE DRAWINGS -
 PA SWITCHER ASSEMBLY-07MA0327
 PA SWITCHER HARNESS-07HA0328
1. UNLESS OTHERWISE SPECIFIED
 RESISTOR VALUES ARE IN OHMS.

NOTE -

METRIC DIMENSIONS AND TOLERANCES APPLY UNLESS OTHERWISE SPECIFIED		CONTRACT												
DIMENSIONS IN MM (IN) AND APPLY AFTER FINISHING		1	2	3	4	5	6	7	8	9	10	DRAWN DATE		
TOLERANCES		REVISION STATUS OF EACH SHEET										G.HOPE 23AUG85		
MM .X	IN .XX	MM .XX	IN .XXX	ANGLES	REF ONLY						CHECKED DATE		SENSTAR CORPORATION	
±	-	±	-	±							9 SEPT 85		BOX 13430	
MATERIAL		DIMENSIONING AND TOLERANCING BASED ON ANSI Y14.5		APPROVED DATE		APPROVED DATE		APPROVED DATE		APPROVED DATE		CANADA Q.M.T.		
				07MA0327 PA SW. ASSY		07MA0327 PA SW. ASSY		07MA0327 PA SW. ASSY		07MA0327 PA SW. ASSY		CANADA K2R16		
FINISH		NEXT ASSY USED ON		APPROVED DATE		APPROVED DATE		APPROVED DATE		APPROVED DATE		SCHEMATIC DIAGRAM		
				07MA0327 PA SW. ASSY		07MA0327 PA SW. ASSY		07MA0327 PA SW. ASSY		07MA0327 PA SW. ASSY		PA SWITCHER ASSEMBLY		
				APPROVED DATE		APPROVED DATE		APPROVED DATE		APPROVED DATE		SCALE		
				APPROVED DATE		APPROVED DATE		APPROVED DATE		APPROVED DATE		SIZE D		
				APPROVED DATE		APPROVED DATE		APPROVED DATE		APPROVED DATE		FSCM NO.		
				APPROVED DATE		APPROVED DATE		APPROVED DATE		APPROVED DATE		PART NUMBER		
				APPROVED DATE		APPROVED DATE		APPROVED DATE		APPROVED DATE		SC-100092		
				APPROVED DATE		APPROVED DATE		APPROVED DATE		APPROVED DATE		DRAWING NUMBER		
				APPROVED DATE		APPROVED DATE		APPROVED DATE		APPROVED DATE		VAR.		
				APPROVED DATE		APPROVED DATE		APPROVED DATE		APPROVED DATE		SHEET 1 OF 1		