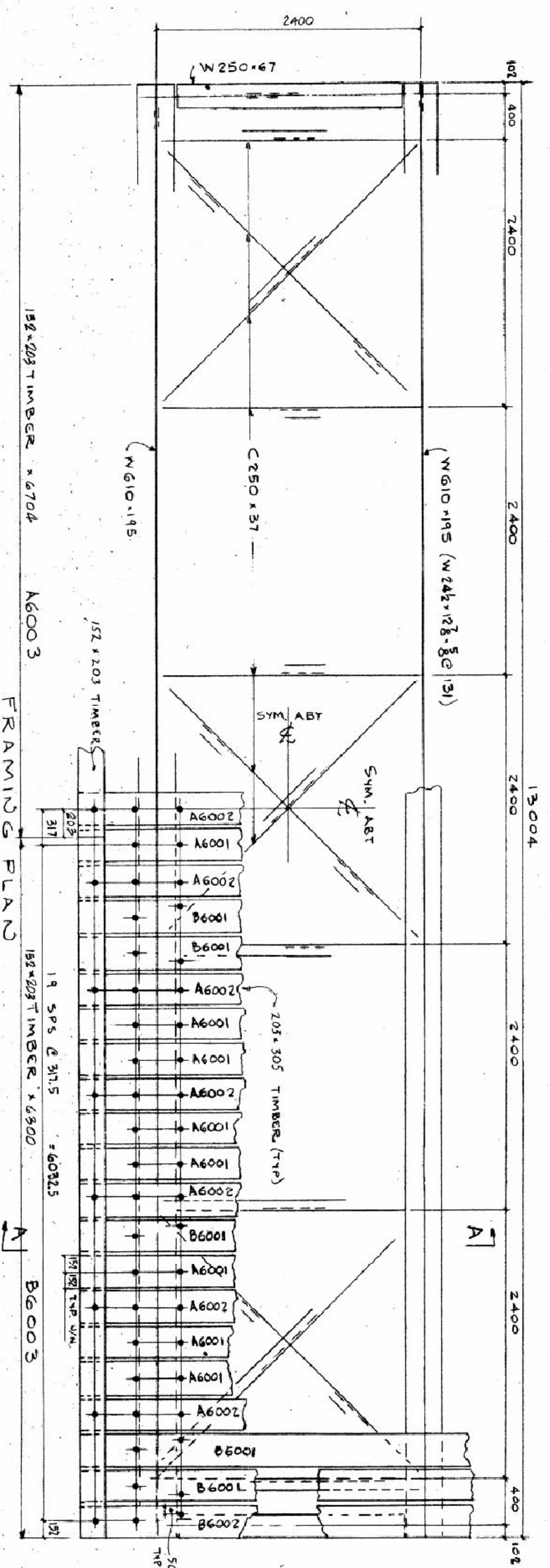
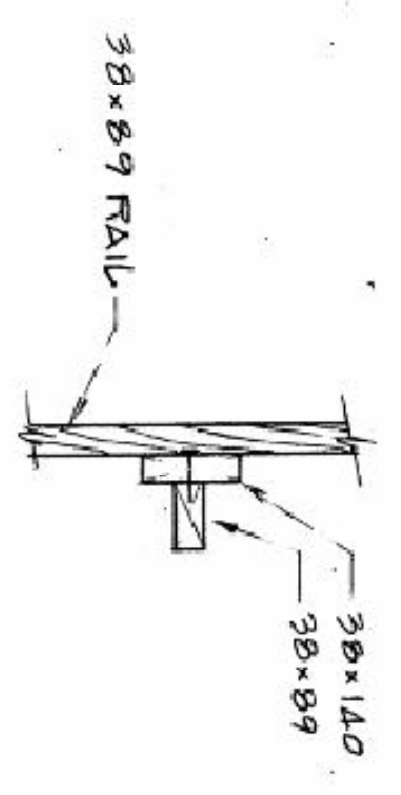
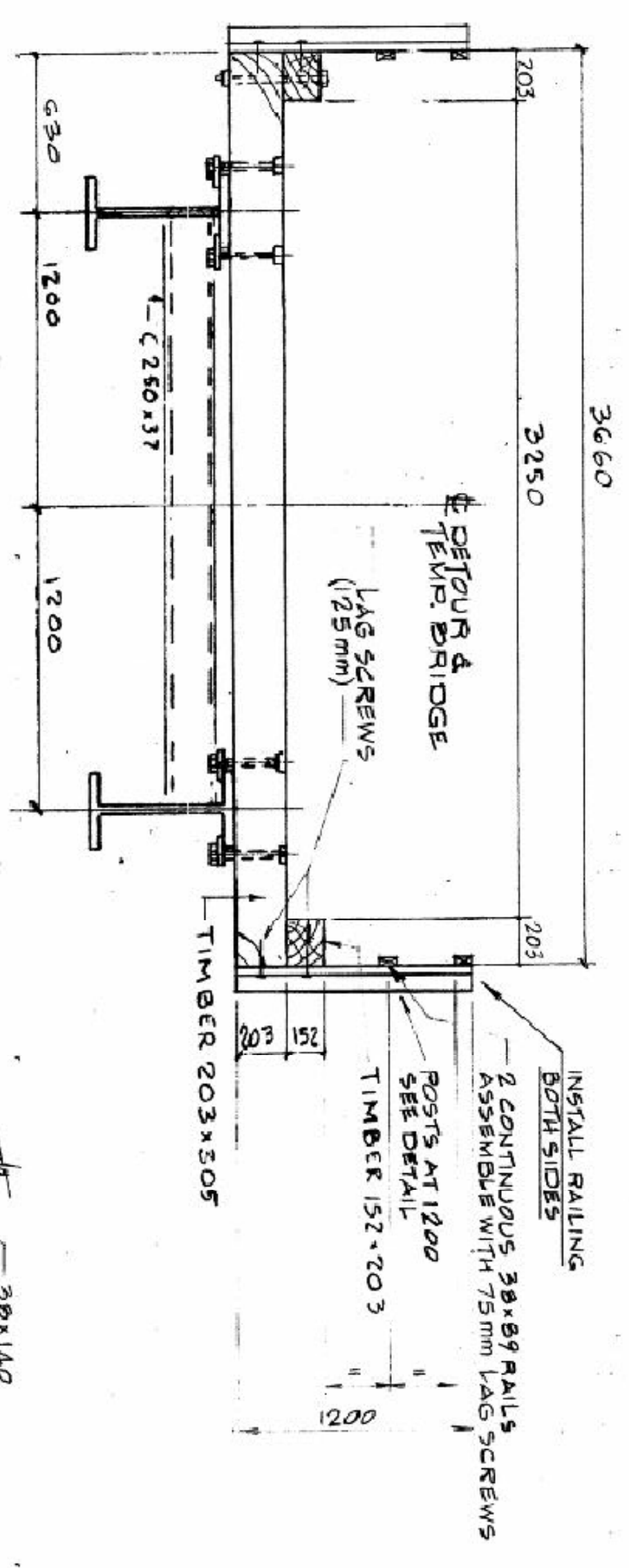
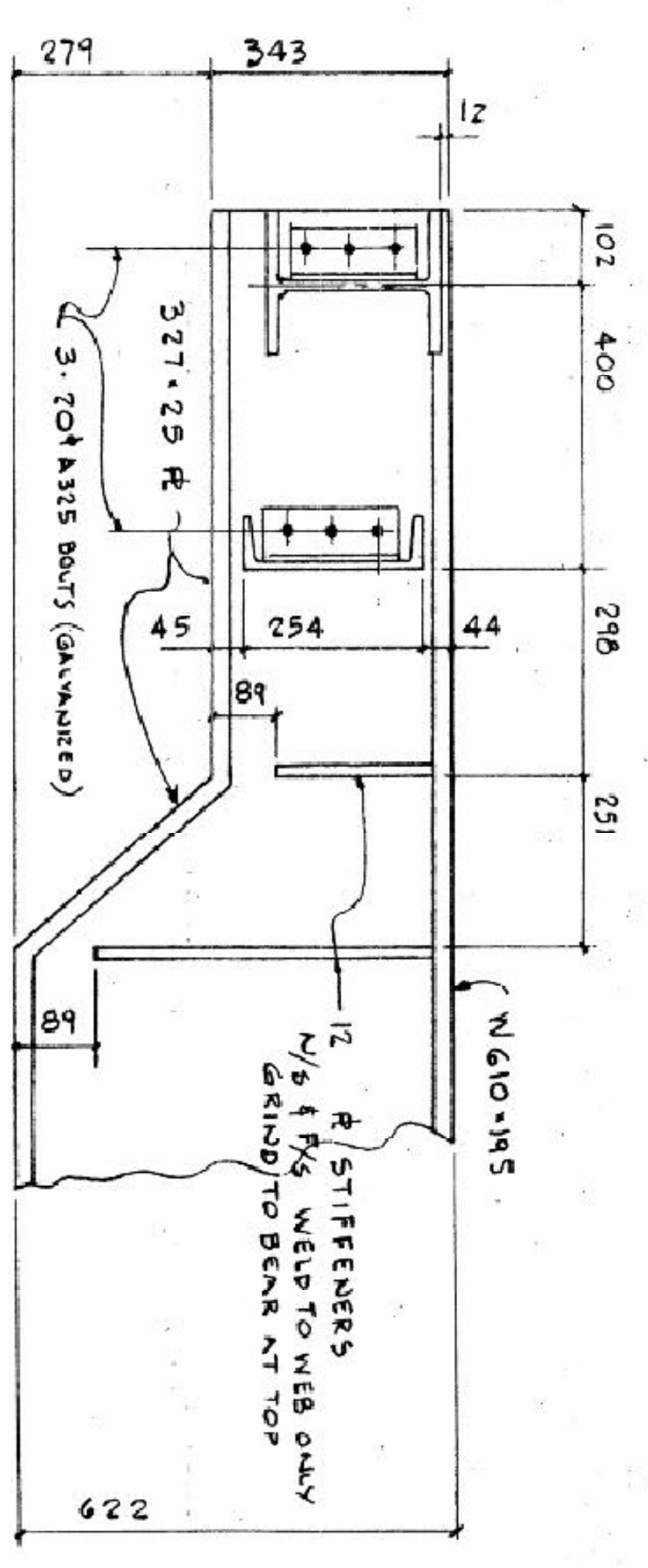
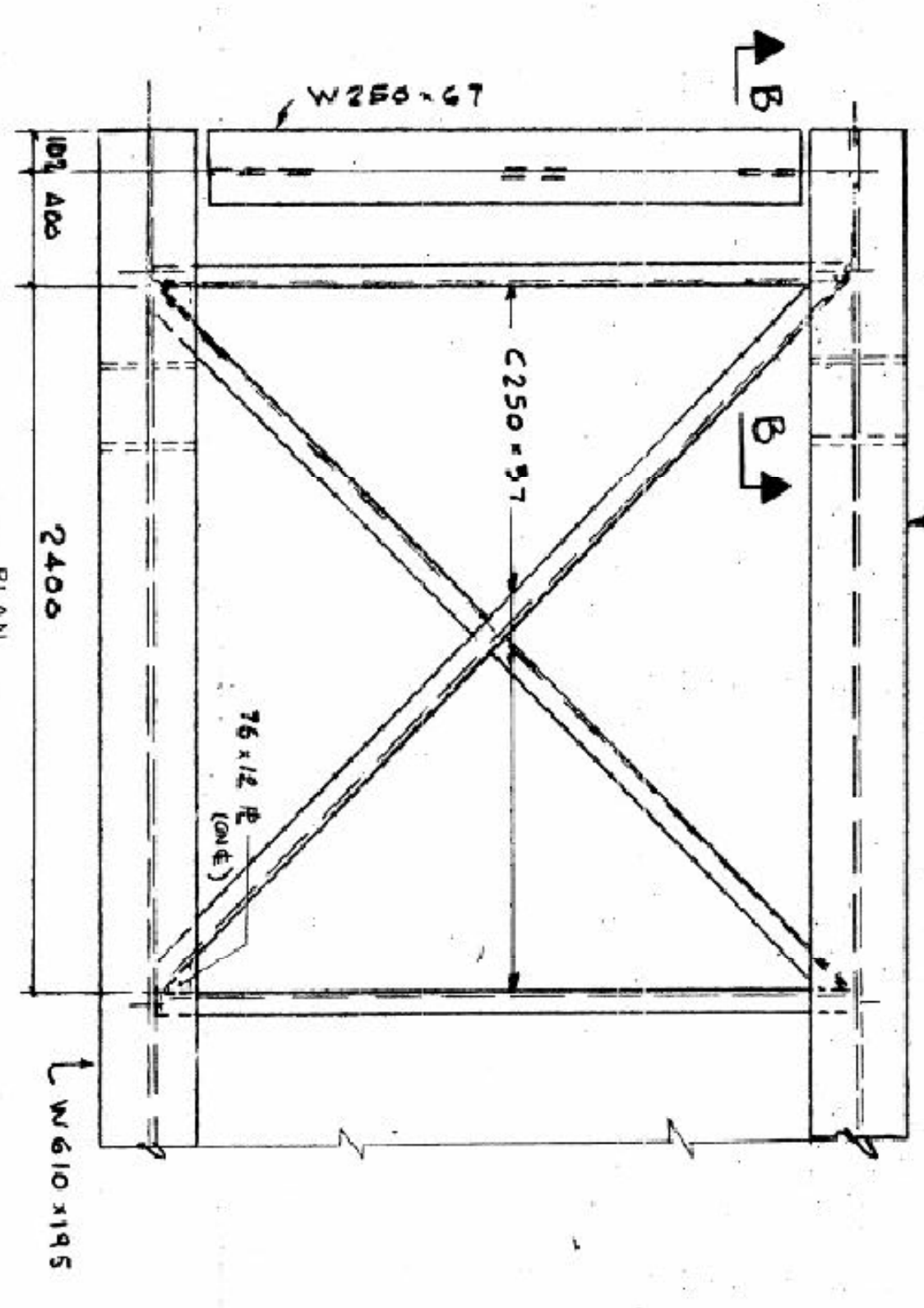


1:50 0 50 100 mm



NOTE
METRIC DIMS GIVEN IN MM



NOTES
1 BRIDGE IS STORED IN PARKS CANADA YARD AT SMITH'S FALLS ONTARIO.
2 ALL BOLTED PARTS ARE DISASSEMBLED.
3 TIMBER DECK AND CURBS ARE ASSEMBLED IN 6 TO 8 TIMBER PANELS.

"AS-BUILT"

TAKEN FROM CANCON LIMITED
EASTERN STRUCTURAL DIVISION
CONTRACT NO. 77-5-3761, DWS-EI

NO.	DATE	DESCRIPTION	DESIGNED BY	CHECKED BY	APPROVED BY

PARKS
Canada
Engineering and Architecture
Genie et architecture

PARKS
Canada
Consulting Professional Engineers
CONSULTANTS
Hamilton · London · Ottawa

Project title / titre du projet
RIDEAU CANAL
CHAFFEY'S SWING BRIDGE REPAIRS

Drawing title / titre du dessin
PORTABLE BRIDGE DETAILS

Designed by / conception par
CANCON LIMITED

Drawn by / tracé par
CANCON LIMITED

Checked by / vérifié par
CANCON LIMITED

Project scale number / numéro du projet d'interprétation
NOT TO SCALE

Reference / numéro de référence / dessin
10-987

Sheet no. / feuille no.
103

Corch 84/1275