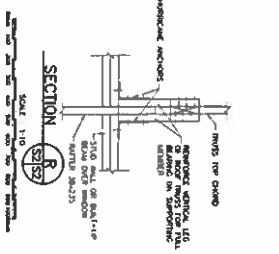
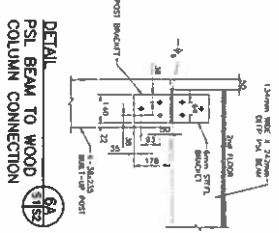
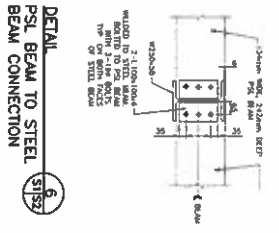
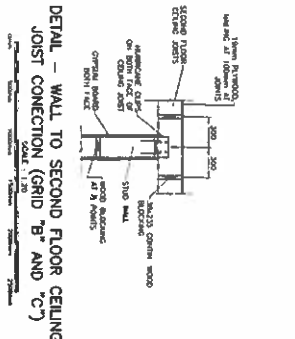
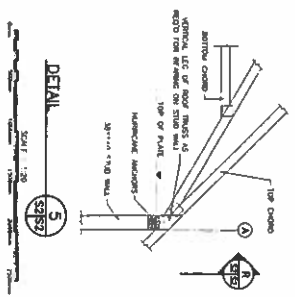
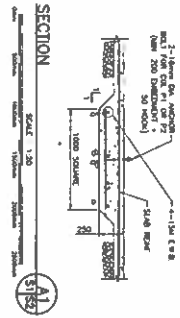
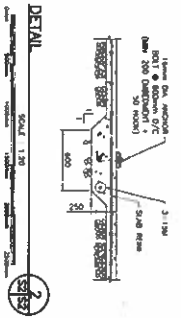
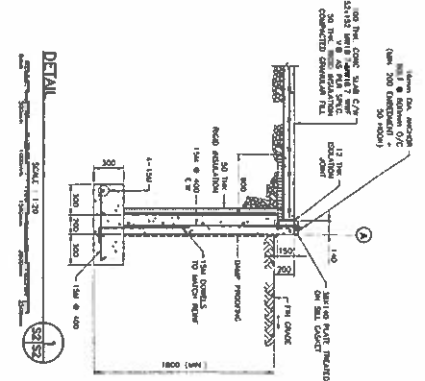
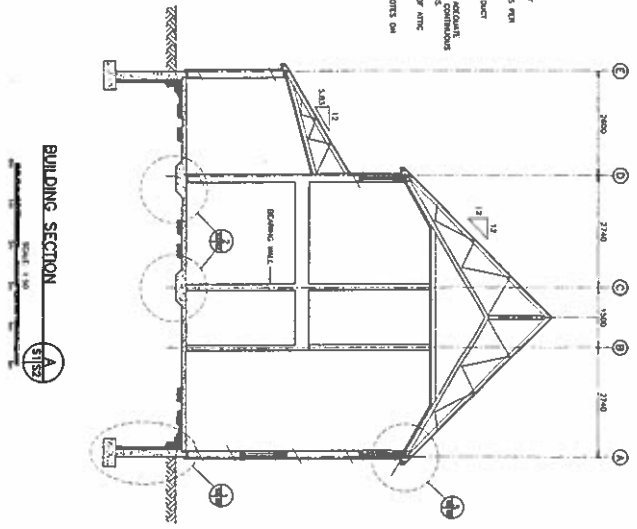


- RC-STEEL ROOF TRUSSES**
- DESIGN LIMITS:
    - SEE JOINT DIMENSIONS FOR ROOF
    - SEE JOINT DIMENSIONS FOR ROOF TRUSSES
    - SEE JOINT DIMENSIONS FOR ROOF TRUSSES
    - SEE JOINT DIMENSIONS FOR ROOF TRUSSES
  - SEE ARCH DIMENSIONS FOR ROOF TRUSSES
  - SEE ARCH DIMENSIONS FOR ROOF TRUSSES
  - SEE ARCH DIMENSIONS FOR ROOF TRUSSES
  - SEE ARCH DIMENSIONS FOR ROOF TRUSSES



**SNC-LAVALLIN**  
1800, Boulevard de l'Industrie  
Laval, Québec H7V 1S7  
Téléphone: (514) 350-2244  
Fax: (514) 350-2245

**MAP OF NEW BRUNSWICK**  
DATE: 01/11/2007  
PROJECT: 303436

**NOTES:**  
1. FOR GENERAL NOTES, SEE STRUCTURAL DRAWINGS.  
2. FOR GENERAL NOTES, SEE STRUCTURAL DRAWINGS.

**CLIENT:** 000 SHIPPAMAN  
POSTE DE LA G.C. DE SHIPPAMAN  
SHIPPAMAN

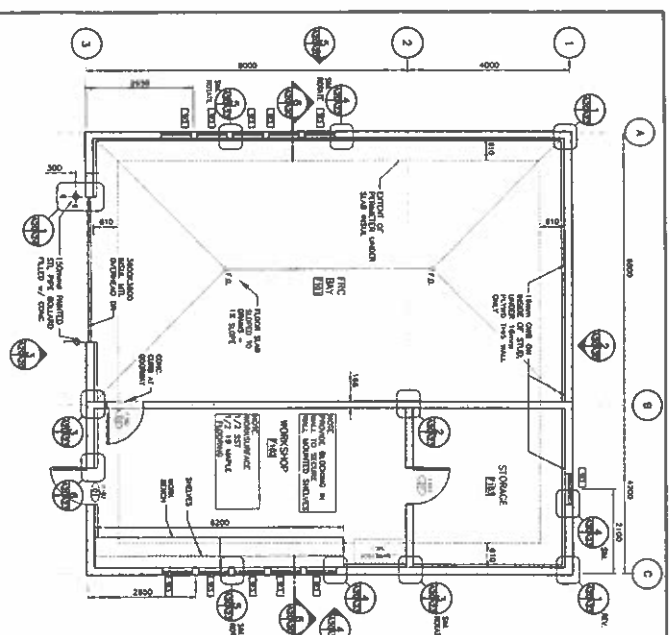
**DATE:** 01/11/2007

**SCALE:** 303436

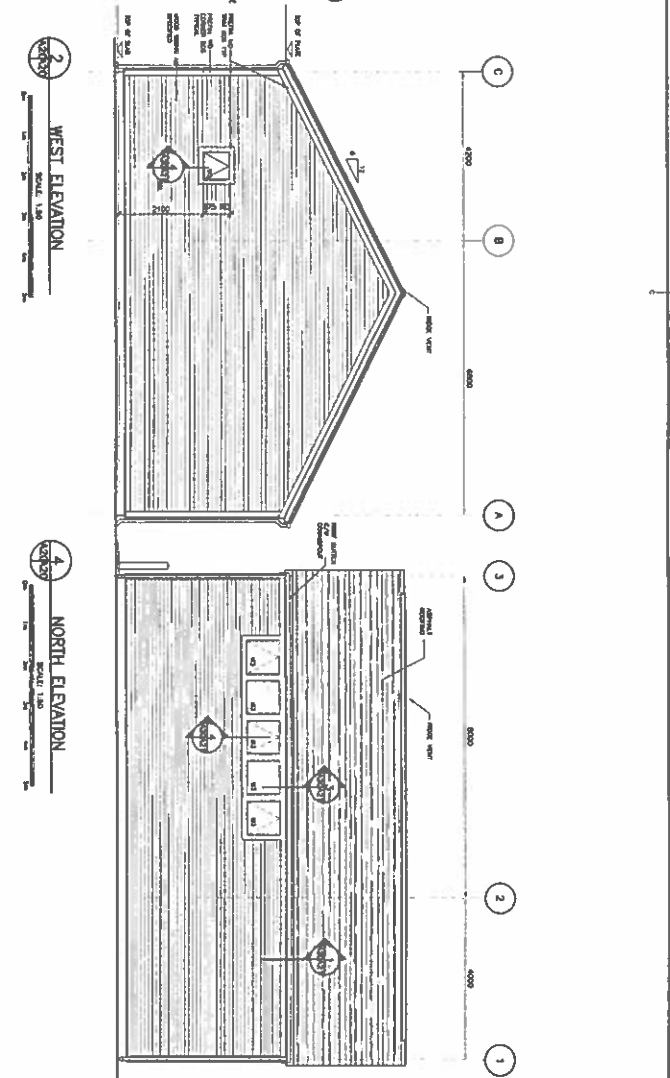
**PROJECT:** 303436

**DATE:** 01/11/2007

**PROJECT:** 303436

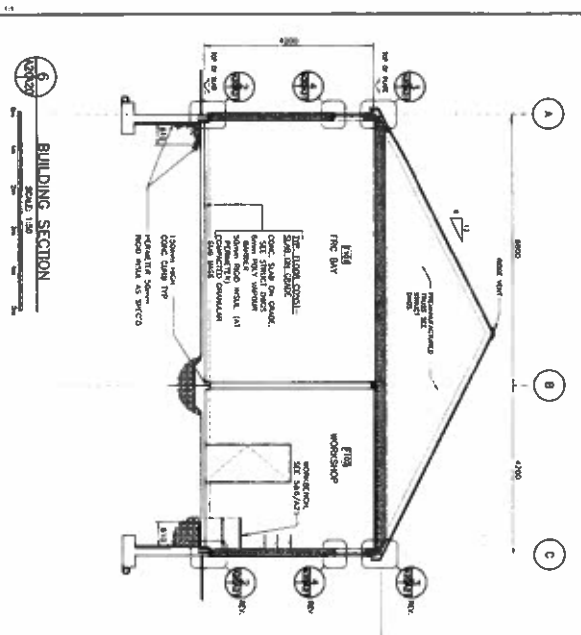


FRG SHED - PLAN  
SCALE 1/8\"/>

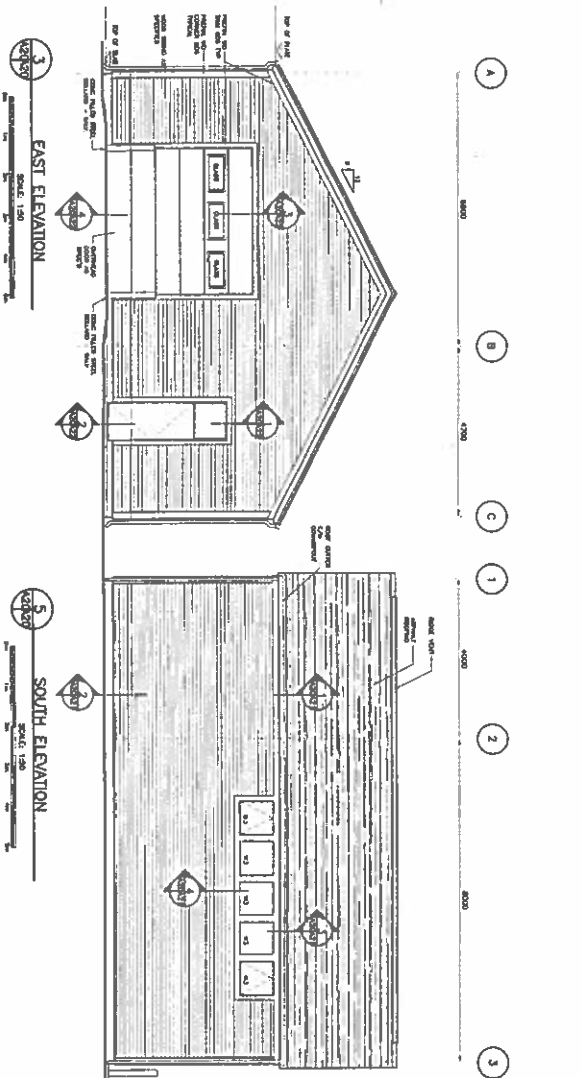


WEST ELEVATION  
SCALE 1/8\"/>

NORTH ELEVATION  
SCALE 1/8\"/>



BUILDING SECTION  
SCALE 1/8\"/>



EAST ELEVATION  
SCALE 1/8\"/>

SOUTH ELEVATION  
SCALE 1/8\"/>

<p><b>FORNER BAWDIA MITCHELL ARCHITECTS</b> Professional Engineers 1000 NE Oregon Street, Suite 200 Portland, Oregon 97232 Tel: 503-255-1111 Fax: 503-255-1112</p>			
<p><b>FRG SHED</b> PLAN &amp; ELEVATIONS</p>			
<p>303436 A20</p>			

