

FUEL TANK REPAIR AND REPLACEMENT PROJECT RESOLUTE BAY, NUNAVUT

DRAWING LIST:

V397 - RESIDENCE

M1.0 DEMOLITION AND CONSTRUCTION PLAN
M2.0 TANK ELEVATIONS
M2.1 2" FUEL LINE SUPPORT DETAIL
M3.0 SCHEMATIC

V399 - RESIDENCE

M1.0 DEMOLITION AND CONSTRUCTION PLAN
M2.0 TANK ELEVATIONS
M2.1 2" FUEL LINE SUPPORT DETAIL
M3.0 SCHEMATIC

V006 - FACILITY BUILDING

M1.0 CONSTRUCTION PLAN

STRUCTURAL DRAWING LIST

S1 STRUCTURAL PROJECT NOTES
S2 TYP TANK SLAB, BOLLARD AND BASE PLATE DETAILS AND ISOMETRIC VIEW OF METAL STAND
S3 CONNECTION #1 DETAILS
S4 CONNECTION #2 DETAILS
S5 TANK #1 - PLAN VIEW OF TANK ON SLAB
S6 TANK #1 - PLAN VIEW OF TANK ON SLAB
S7 TANK #2 - PLAN VIEW OF TANK ON LOW METAL STAND
S8 TANK #2 - ELEVATIONS OF LOW METAL STAND
S9 TANK #2 - ELEVATIONS OF LOW METAL STAND
S10 TANK #3 - PLAN VIEW OF TANK ON HIGH METAL STAND
S11 TANK #3 - ELEVATIONS OF HIGH METAL STAND
S12 TANK #3 - ELEVATIONS OF HIGH METAL STAND
S13 TANK #4 - PLAN VIEW OF TANK ON LOW DOUBLE METAL STAND
S14 TANK #4 - ELEVATIONS OF LOW DOUBLE METAL STAND
S15 TANK #4 - ELEVATIONS OF LOW DOUBLE METAL STAND
S16 TANK #5 - PLAN VIEW OF TANK ON HIGH DOUBLE METAL STAND
S17 TANK #5 - ELEVATIONS OF HIGH DOUBLE METAL STAND
S18 TANK #5 - ELEVATIONS OF HIGH DOUBLE METAL STAND



PROJECT TITLE:
RCMP "V" DIVISION OIL TANK REPLACEMENT
SHEET TITLE:
TITLE PAGE
PROJECT NUMBER:
16-028-14-30

REV. #	REVISION	DATE (YY MM DD)	REV. BY
00	ISSUED FOR CONSTRUCTION	17 07 18	JLS

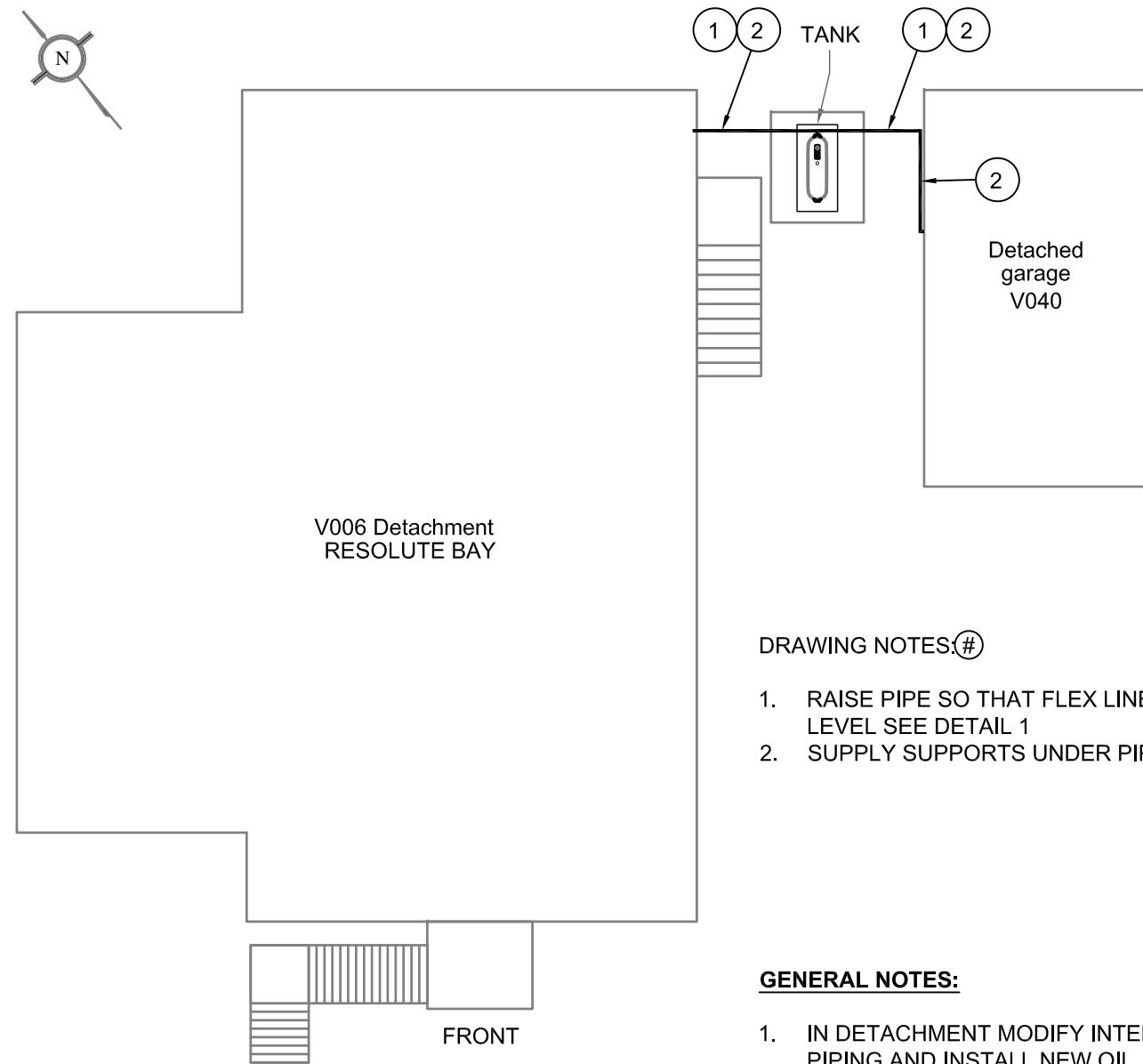
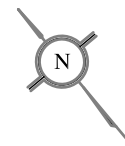
REV. #	REVISION	DATE (YY MM DD)	REV. BY

SCALE:
AS NOTED
DATE (YY MM DD):
17 01 30

DRAWING NUMBER:

M0.0

REVISION NUMBER:
00



01 SITE PLAN
M1.0 SCALE: NTS

DRAWING NOTES:

1. RAISE PIPE SO THAT FLEX LINE IS LEVEL SEE DETAIL 1
2. SUPPLY SUPPORTS UNDER PIPE

GENERAL NOTES:

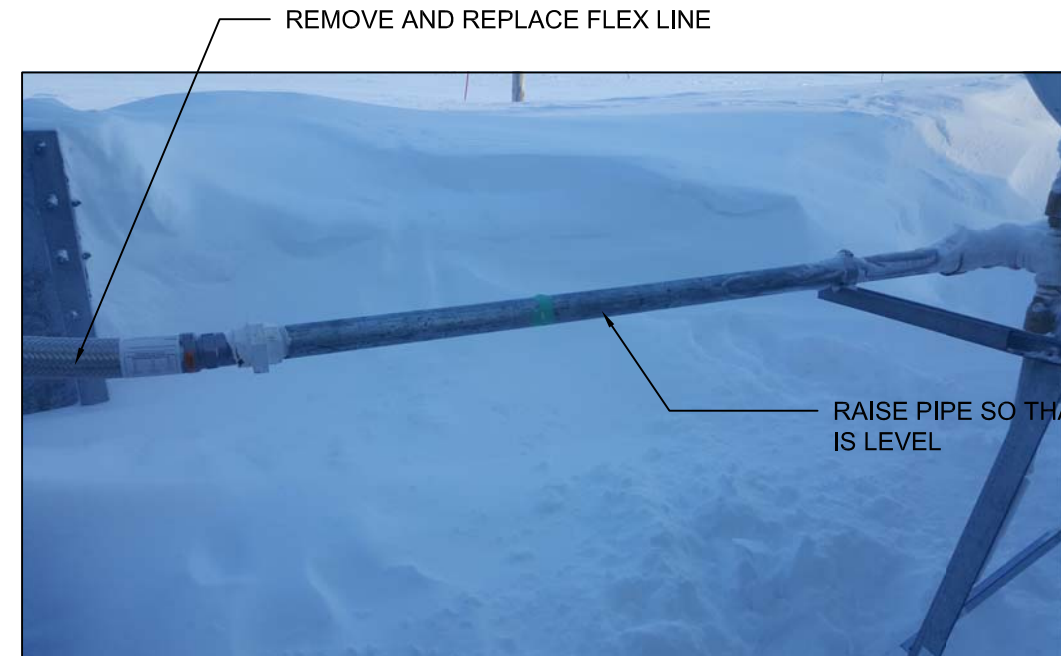
1. IN DETACHMENT MODIFY INTERIOR PIPING AND INSTALL NEW OIL FILTER UPSTREAM OF OIL DE-AREATOR
2. INSTALL PIPE PROTECTION FROM FALLING SNOW AND ICE. SEE DETAILS SHEETS S3 AND S4 FOR GENERAL DETAILS. MODIFY PIPING TO SUIT. SUPPLY SKETCH FOR APPROVAL PRIOR TO INSTALLATION.



REMOVE AND REPLACE FLEX LINE
RAISE PIPE SO THAT FLEX LINE IS LEVEL

INSTALL ANCHOR BOLTS INTO CONCRETE PAD

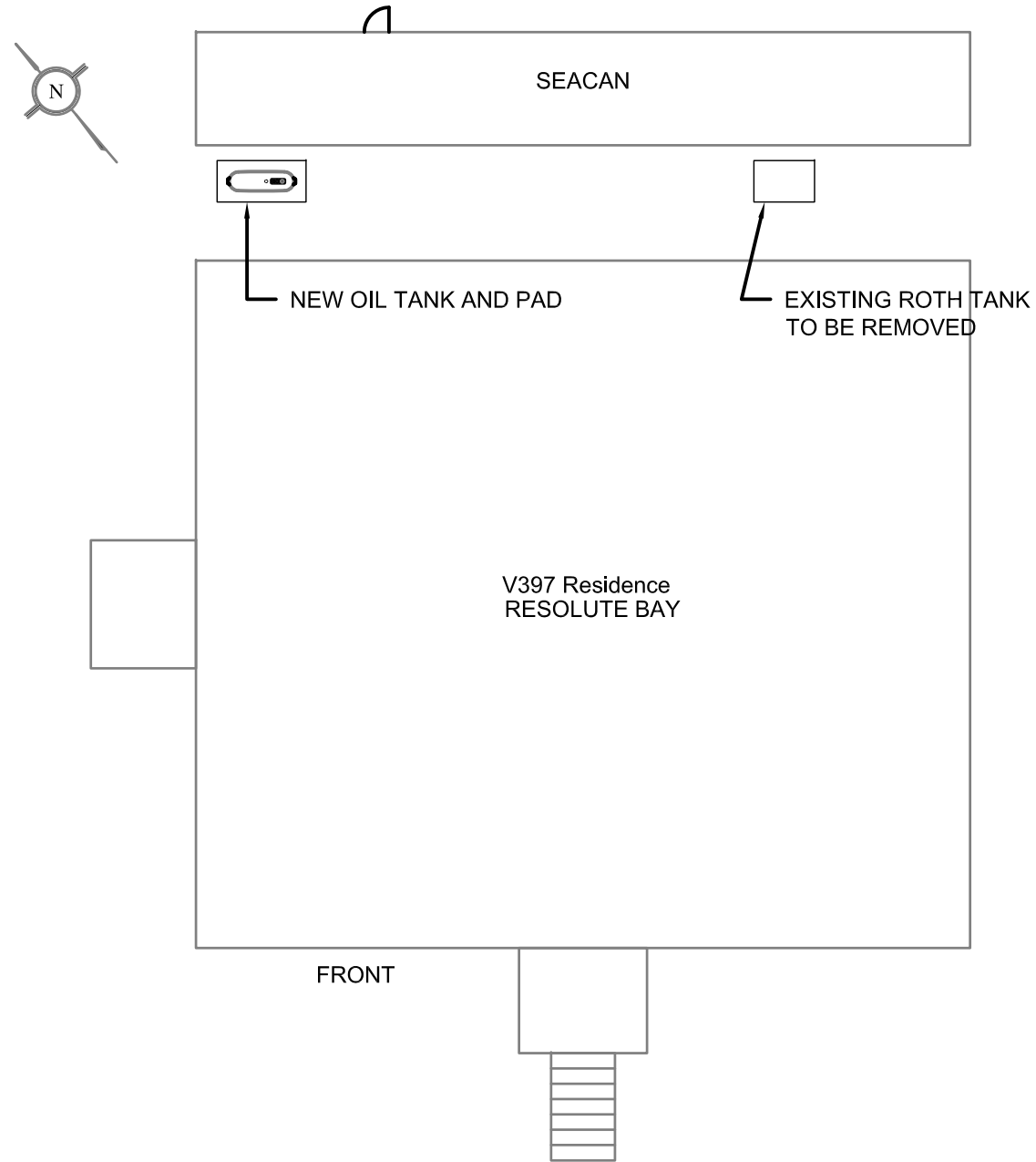
02 DETAIL 1
M1.0 SCALE: NTS



REMOVE AND REPLACE FLEX LINE

RAISE PIPE SO THAT FLEX LINE IS LEVEL

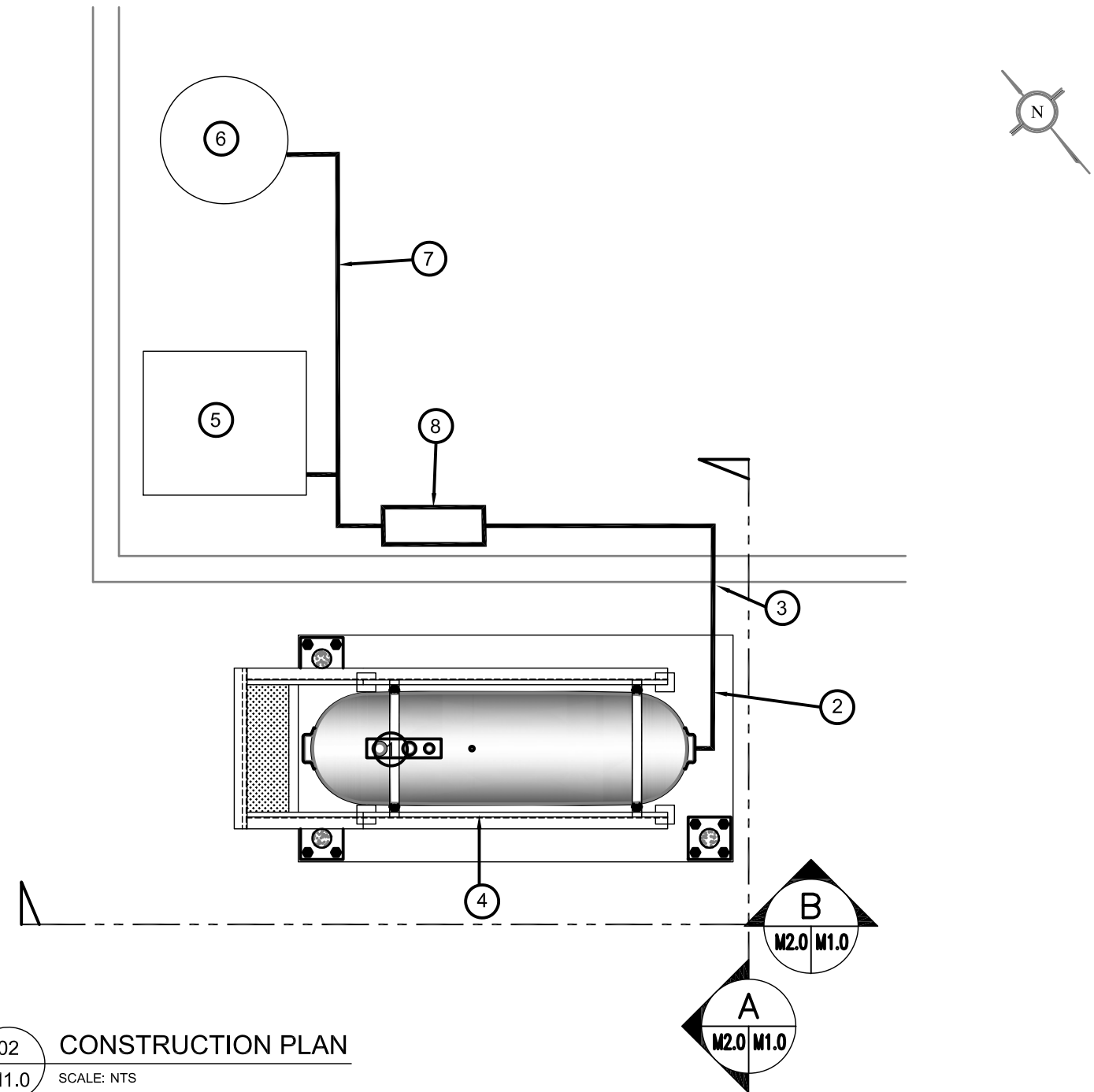
03 DETAIL 2
M1.0 SCALE: NTS



01 DEMOLITION PLAN
M1.0 SCALE: NTS

DEMOLITION NOTES:

1. REMOVE ALL FUEL FROM THE TANK AND DISPOSE OF AS PER LOCAL REGULATIONS.
2. REMOVE EXISTING ROTH 1000L OIL TANK AND PAD DISPOSE OF AS PER LOCAL REGULATIONS.

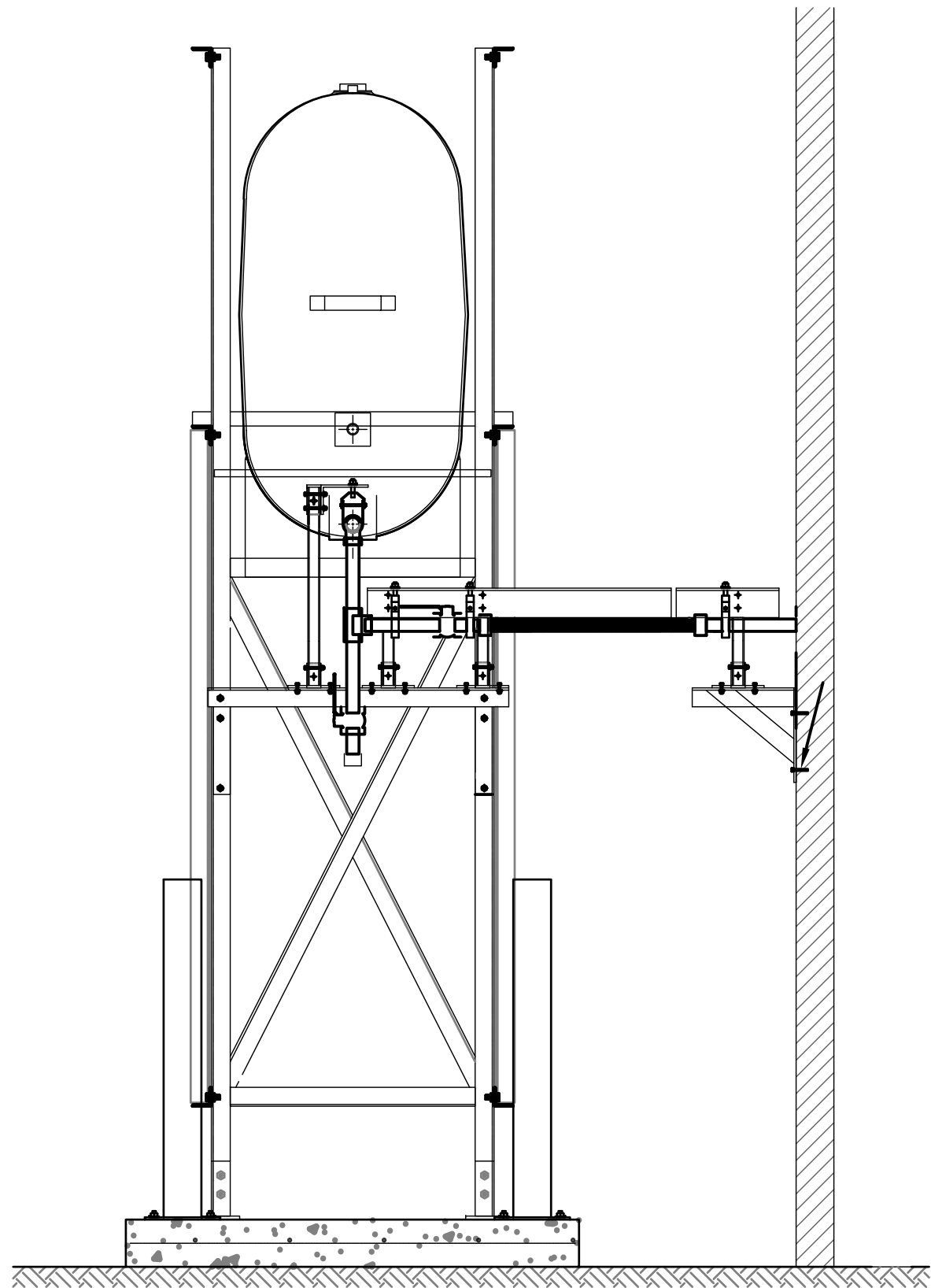


02 CONSTRUCTION PLAN
M1.0 SCALE: NTS

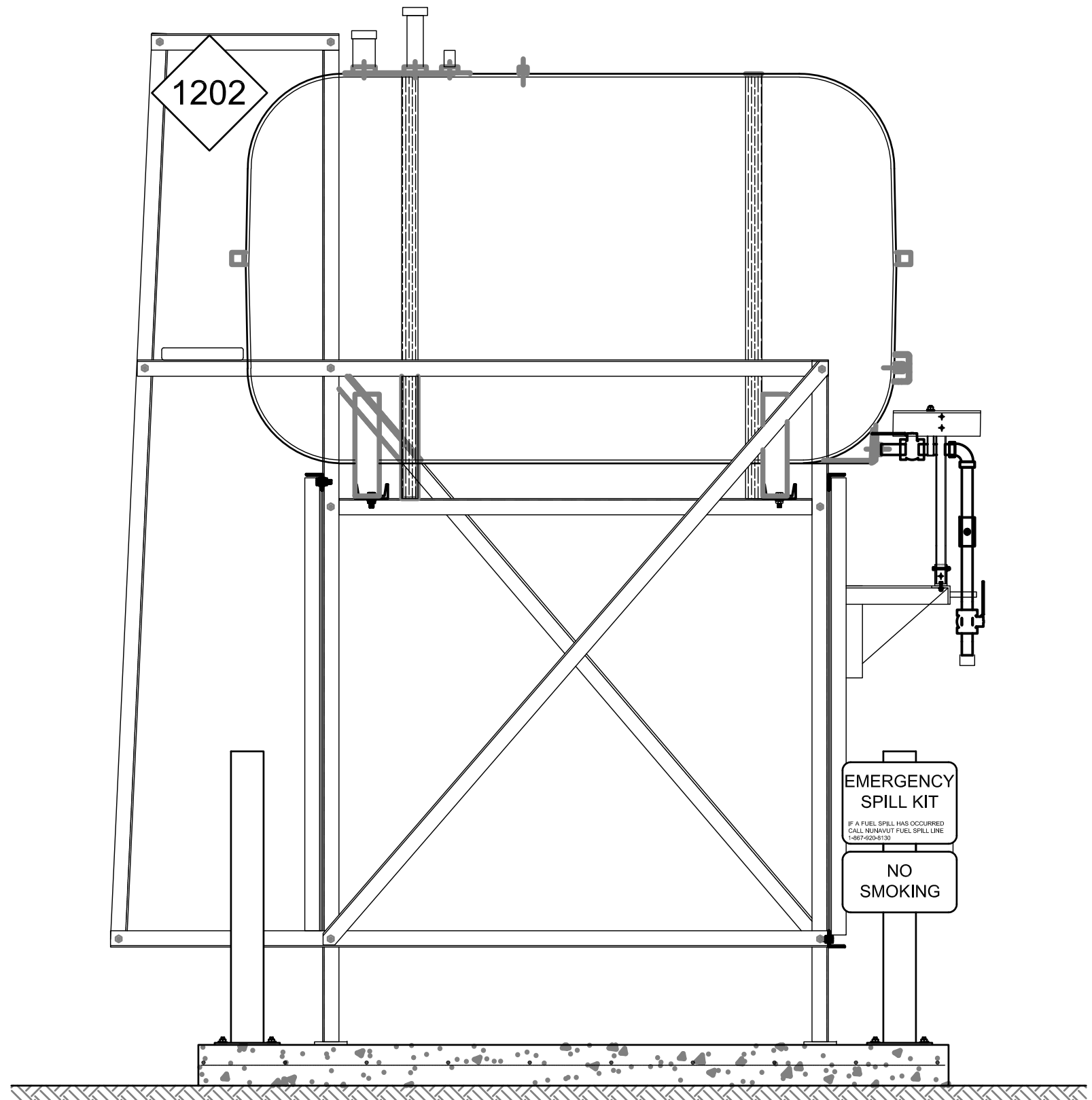
CONSTRUCTION NOTES: #

1. INSTALL NEW OIL TANK AND CONCRETE PAD. SEE SHEET M2.0
2. INSTALL NEW PIPING SUPPORT AS PER SHEET M2.1
3. CAULK ENTRY INTO BUILDING.
4. INSTALL NEW OIL TANK STAND #2 SEE STRUCTURAL FOR DETAILS
5. EXISTING BOILER

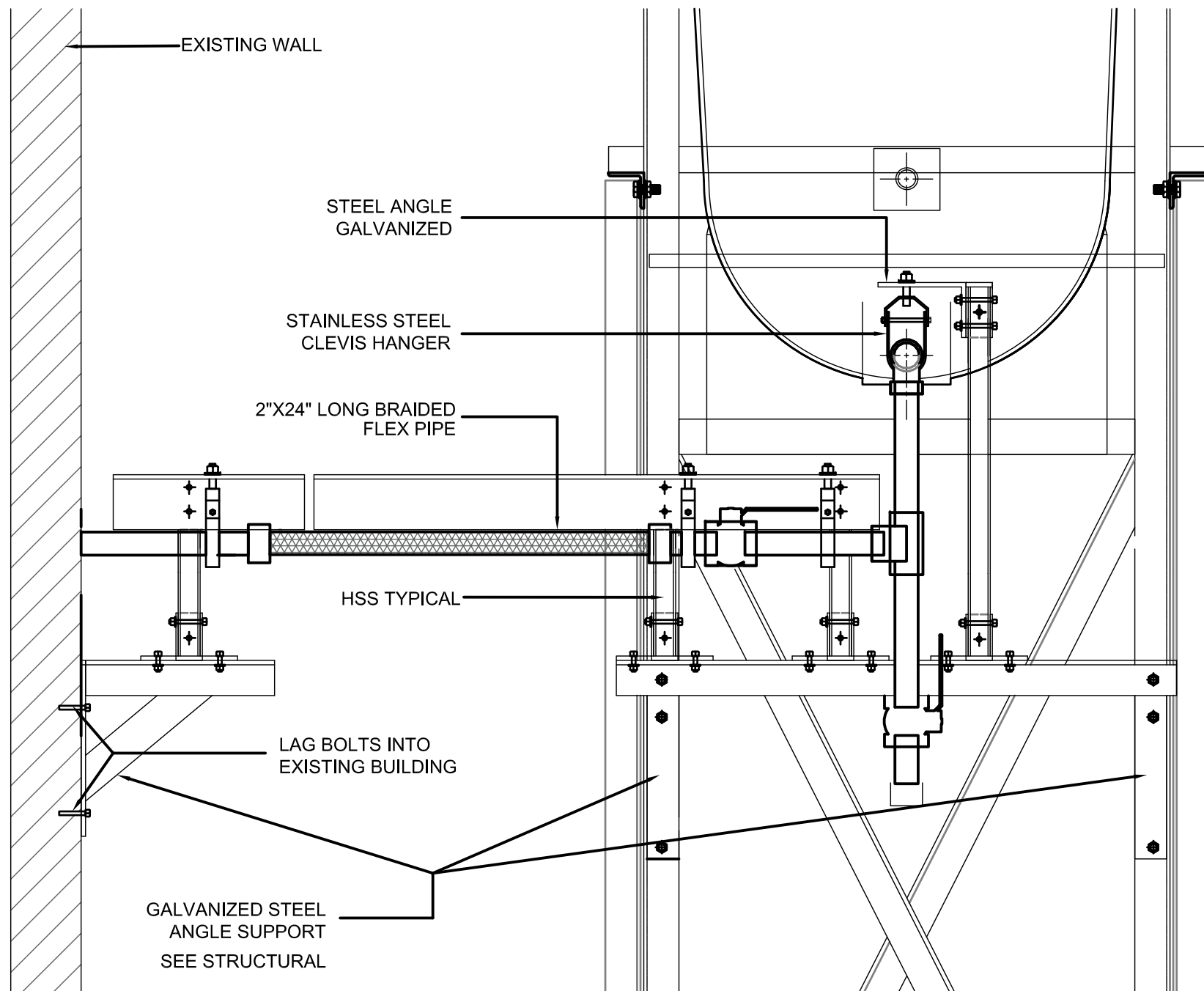
6. EXISTING HOT WATER TANK
7. NEW INTERIOR PIPING
8. NEW OIL WARMING TANK - SEE SCHEMATIC



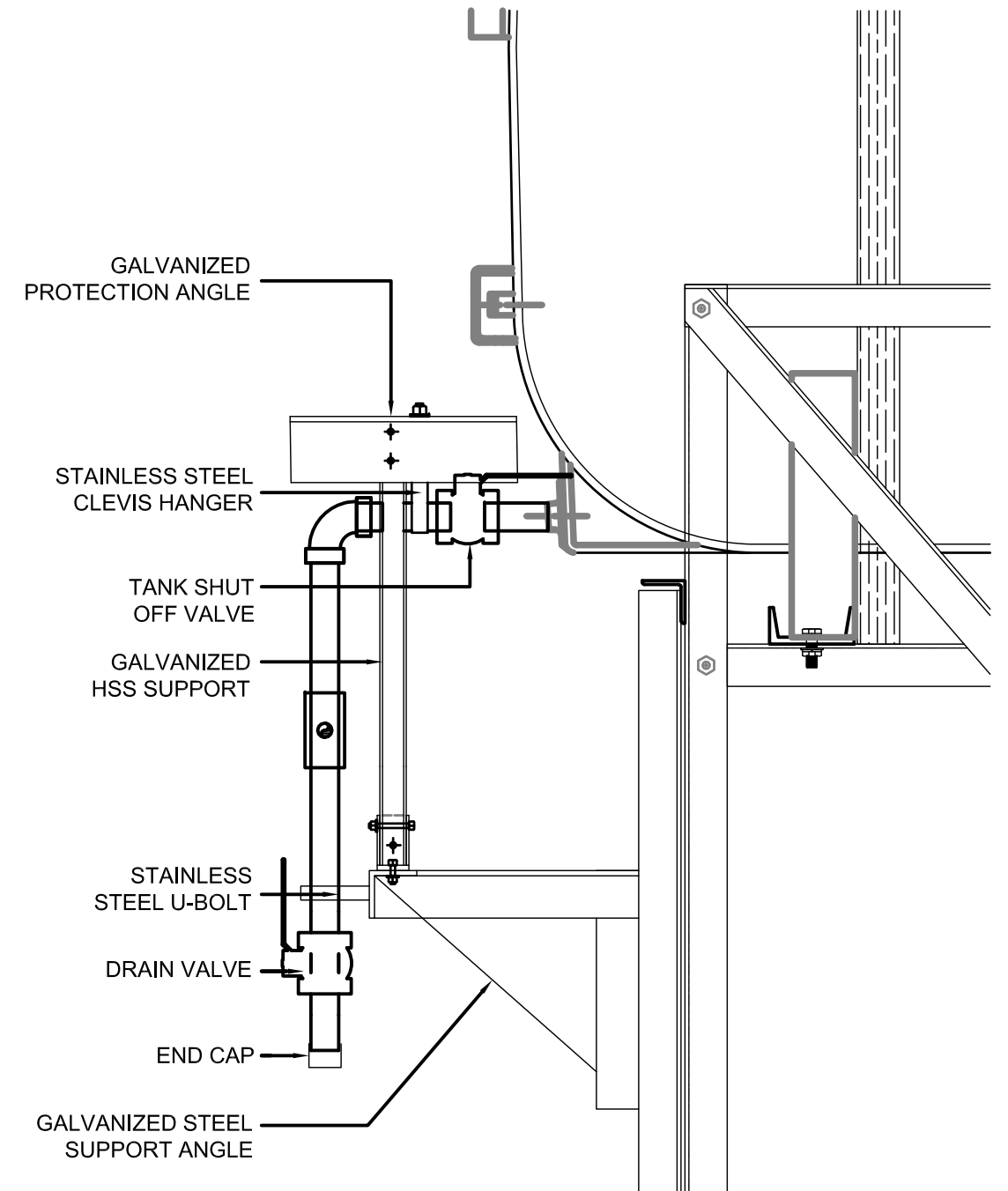
01 OIL TANK ELEVATION - A
M2.0 SCALE: 3/4"-1'-0"



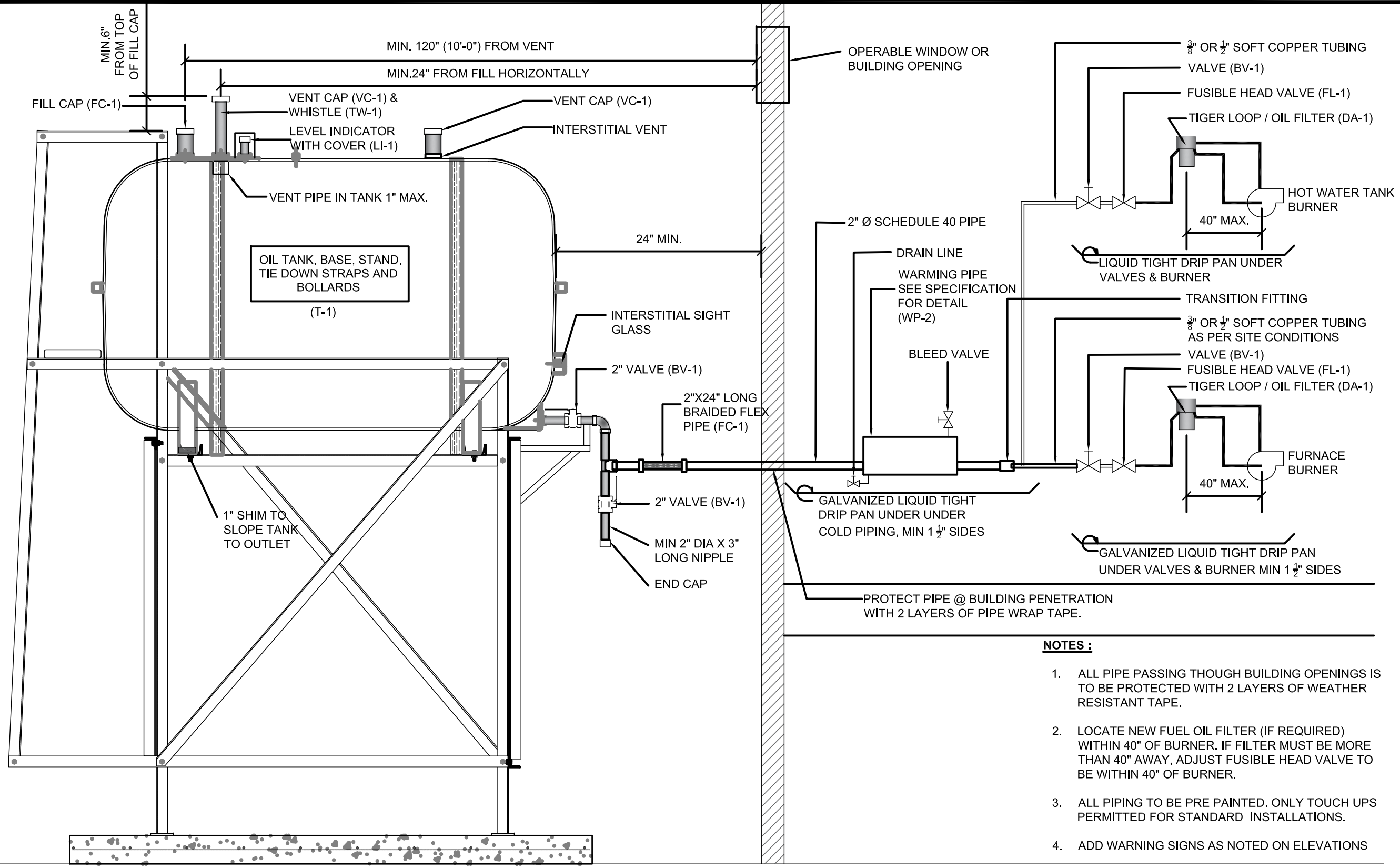
02 OIL TANK ELEVATION - B
M2.0 SCALE: 3/4"-1'-0"



01 FRONT VIEW
M2.1 SCALE: 1 1/2\"-1'-0\"



02 SIDE VIEW
M2.1 SCALE: 1 1/2\"-1'-0\"



NOTES :

1. ALL PIPE PASSING THOUGH BUILDING OPENINGS IS TO BE PROTECTED WITH 2 LAYERS OF WEATHER RESISTANT TAPE.
2. LOCATE NEW FUEL OIL FILTER (IF REQUIRED) WITHIN 40" OF BURNER. IF FILTER MUST BE MORE THAN 40" AWAY, ADJUST FUSIBLE HEAD VALVE TO BE WITHIN 40" OF BURNER.
3. ALL PIPING TO BE PRE PAINTED. ONLY TOUCH UPS PERMITTED FOR STANDARD INSTALLATIONS.
4. ADD WARNING SIGNS AS NOTED ON ELEVATIONS

01 SCHEMATIC - TANK, PIPING & ACCESSORIES : ON STAND
M3.0 SCALE: NTS



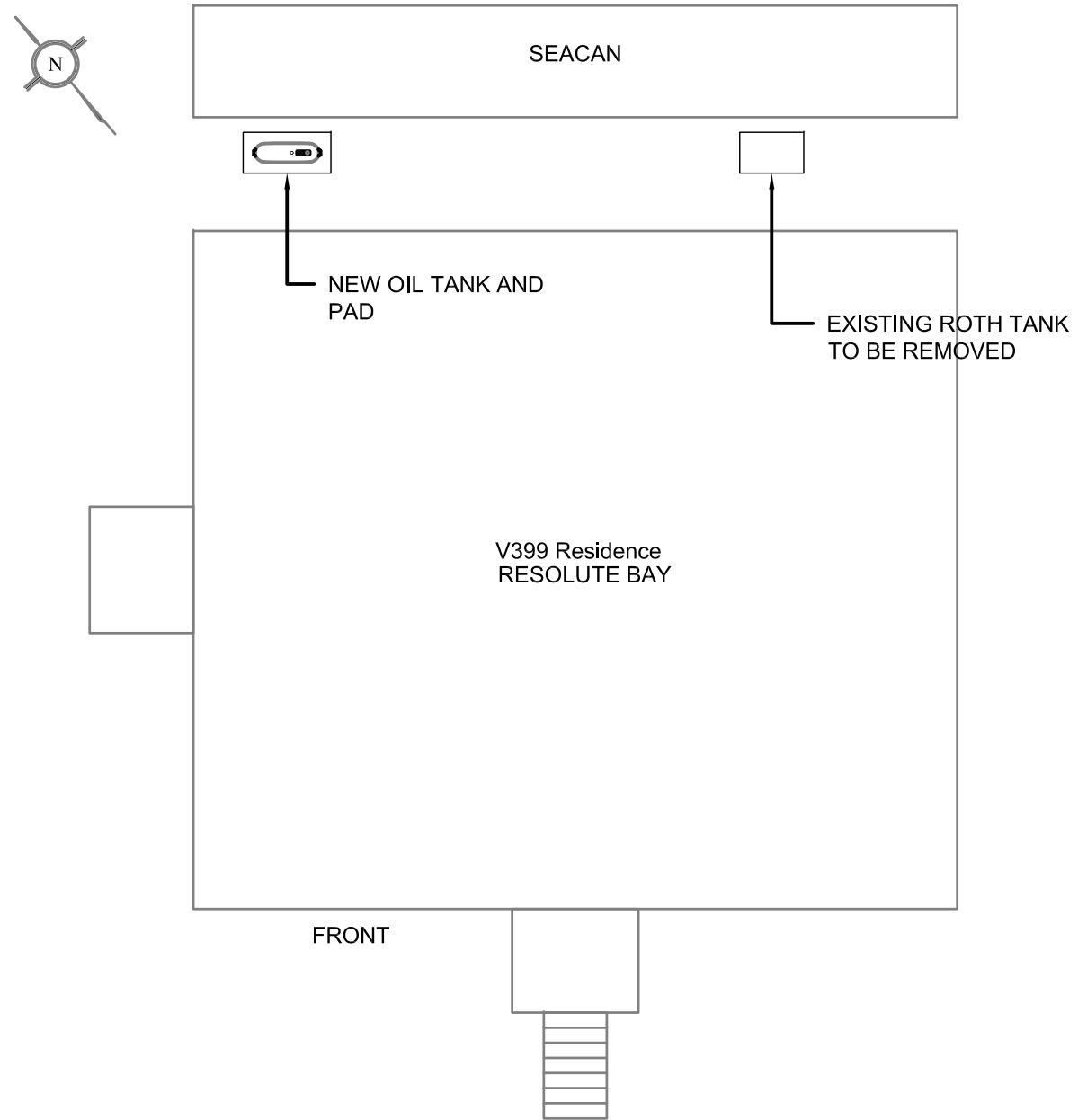
PROJECT TITLE:
RCMP "V" DIVISION OIL TANK REPLACEMENT - RESOLUTE BAY
V397 - RESIDENCE , RESOLUTE BAY
SHEET TITLE:
SCHEMATIC - TANK, PIPING & ACCESSORIES
PROJECT NUMBER:
16-028-14-30

00	ISSUED FOR CONSTRUCTION	17 07 18	JLS
REV. #	REVISION	DATE (YY MM DD)	REV. BY

REV. #	REVISION	DATE (YY MM DD)	REV. BY

SCALE:
AS NOTED
DATE (YY MM DD):
17 03 08

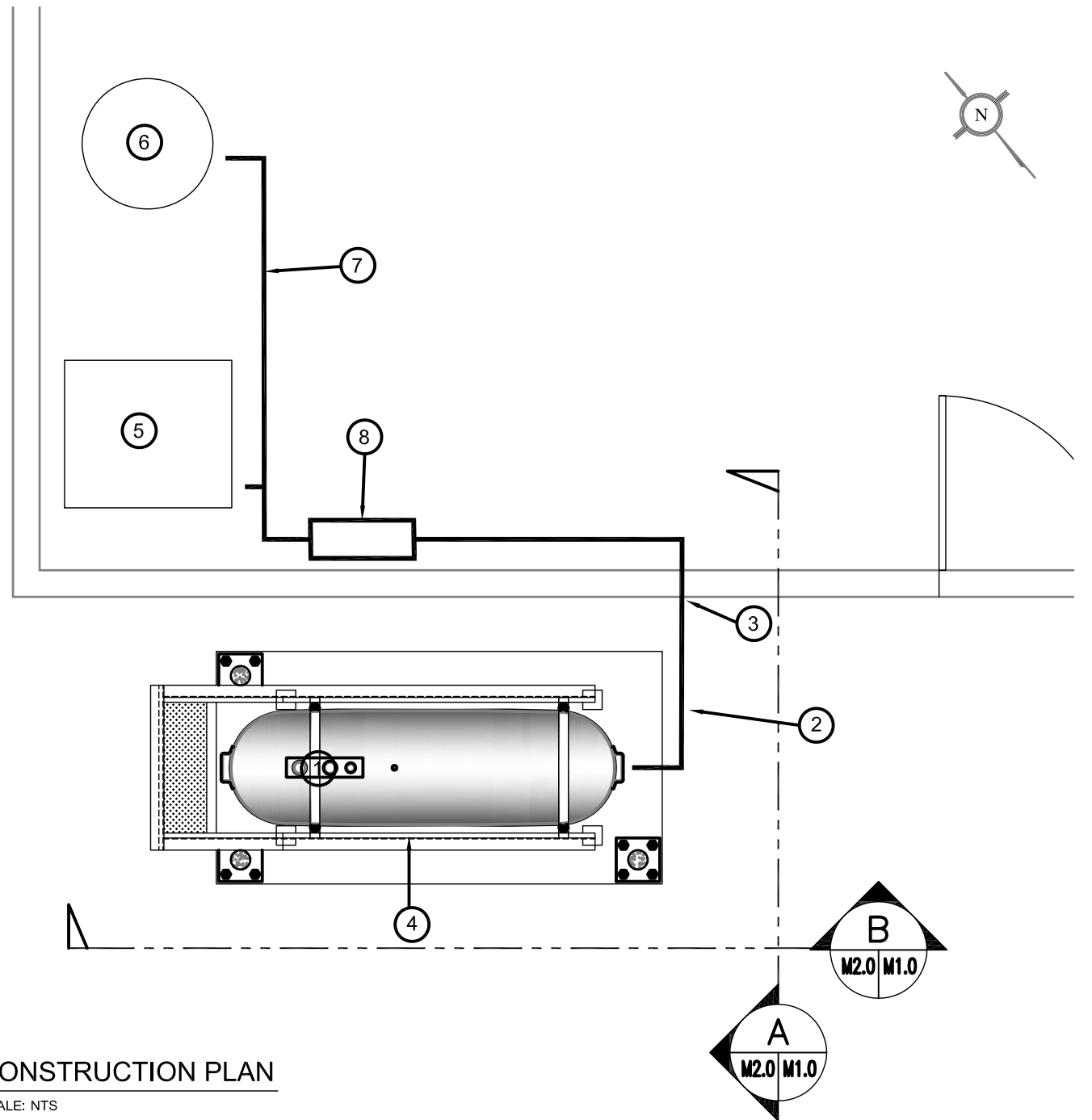
DRAWING NUMBER:
M3.0
REVISION NUMBER:
00



01 DEMOLITION PLAN
M1.0 SCALE: NTS

DEMOLITION NOTES:

1. REMOVE ALL FUEL FROM THE TANK AND DISPOSE OF AS PER LOCAL REGULATIONS.
2. REMOVE EXISTING ROTH 1000L OIL TANK AND PAD DISPOSE OF AS PER LOCAL REGULATIONS.



02 CONSTRUCTION PLAN
M1.0 SCALE: NTS

CONSTRUCTION NOTES: #

1. INSTALL NEW OIL TANK AND CONCRETE PAD. SEE SHEET M2.0
2. INSTALL NEW PIPING SUPPORT AS PER SHEET M2.1
3. CAULK ENTRY INTO BUILDING.
4. INSTALL NEW OIL TANK STAND #2 SEE STRUCTURAL FOR DETAILS
5. EXISTING BOILER

6. EXISTING HOT WATER TANK
7. NEW INTERIOR PIPING
8. NEW OIL WARMING TANK - SEE SCHEMATIC



PROJECT TITLE:
RCMP "V" DIVISION OIL TANK REPLACEMENT - RESOLUTE BAY
V399 - RESIDENCE , RESOLUTE BAY
SHEET TITLE:
DEMOLITION AND CONSTRUCTION PLAN
PROJECT NUMBER:
16-028-14-30

00	ISSUED FOR CONSTRUCTION	17 07 18	JLS
REV. #	REVISION	DATE (YY MM DD)	REV. BY

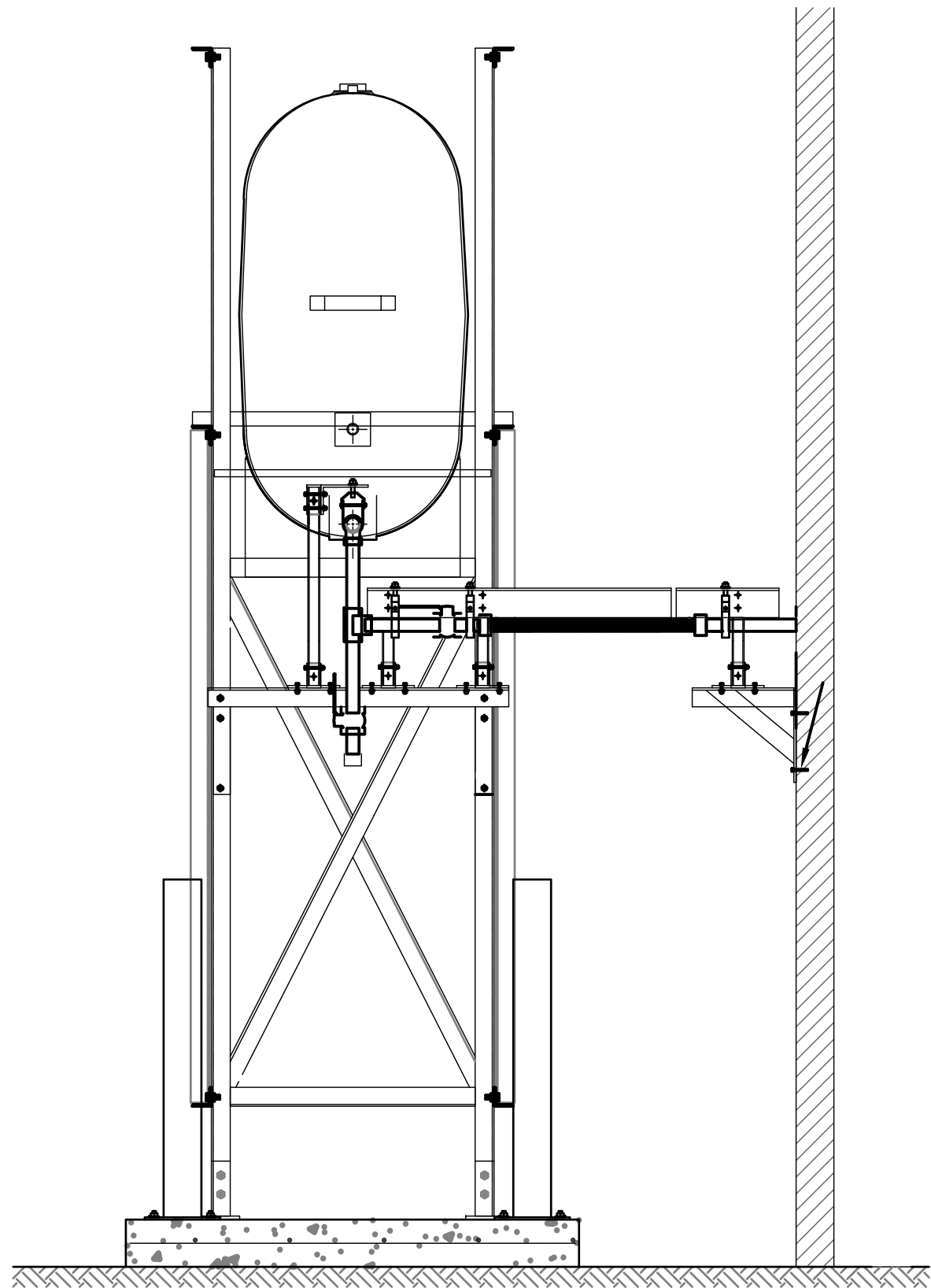
REV. #	REVISION	DATE (YY MM DD)	REV. BY
--------	----------	-----------------	---------

SCALE:
AS NOTED
DATE (YY MM DD):
17 03 08

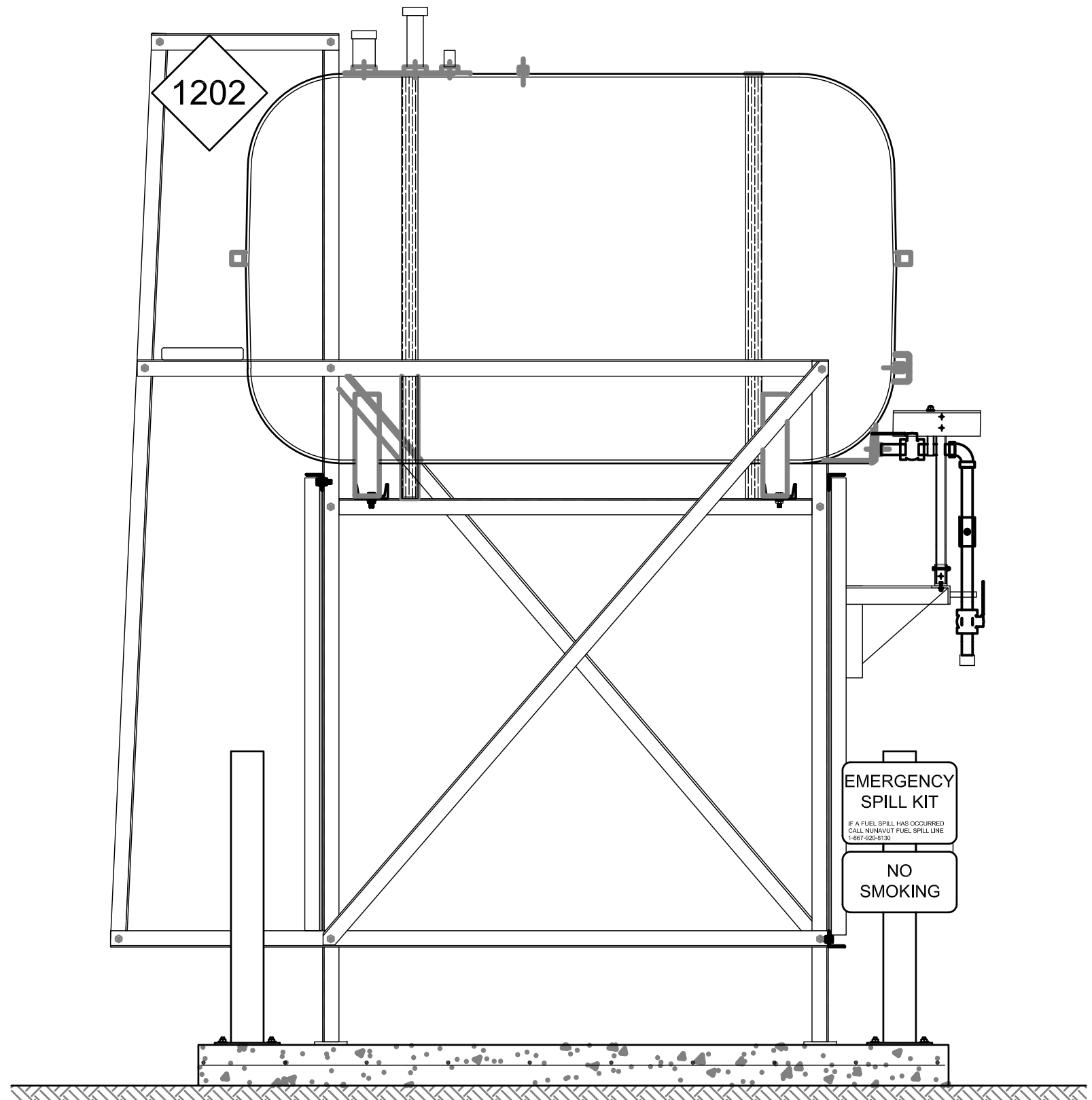
DRAWING NUMBER:

M1.0

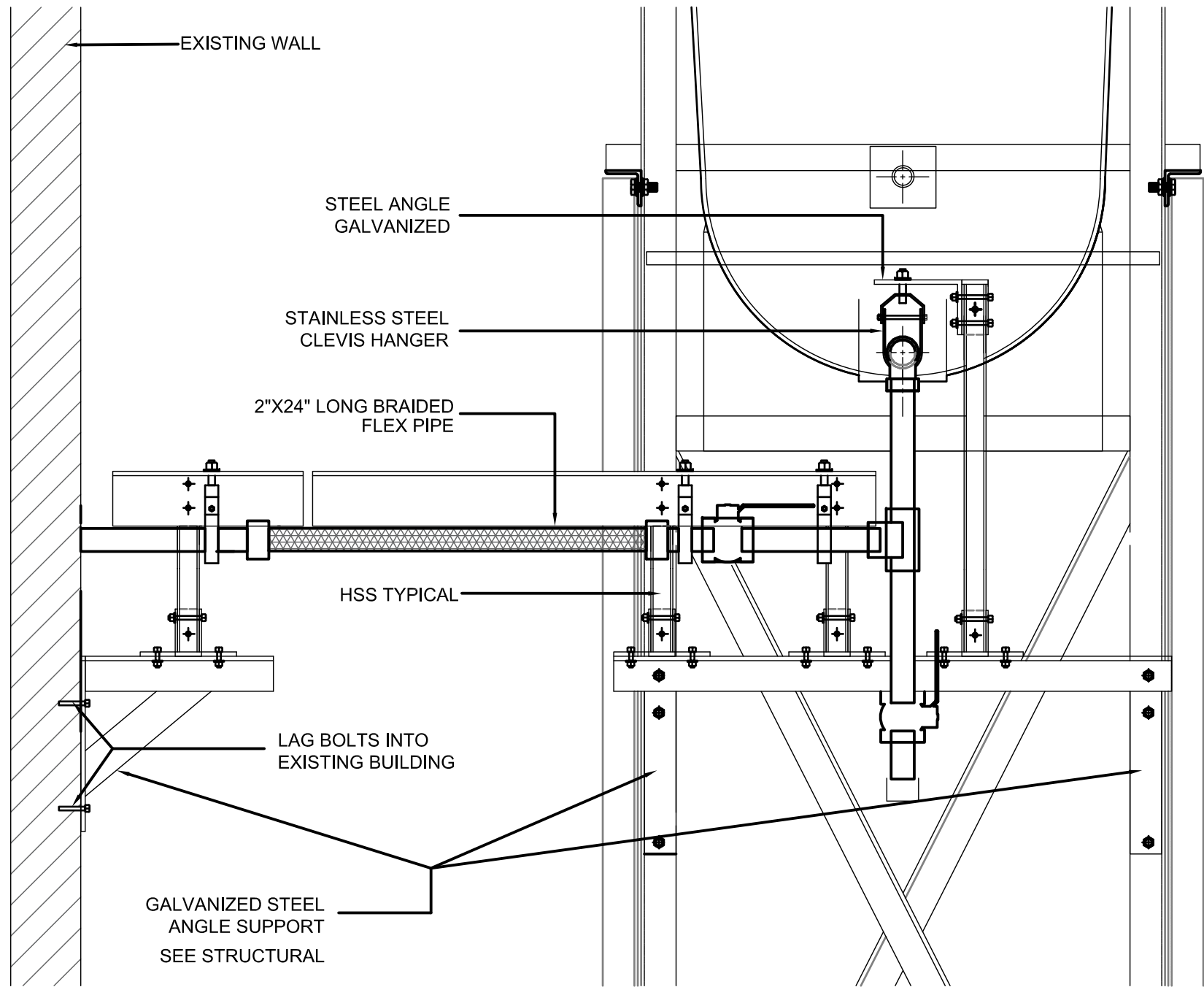
REVISION NUMBER:
00



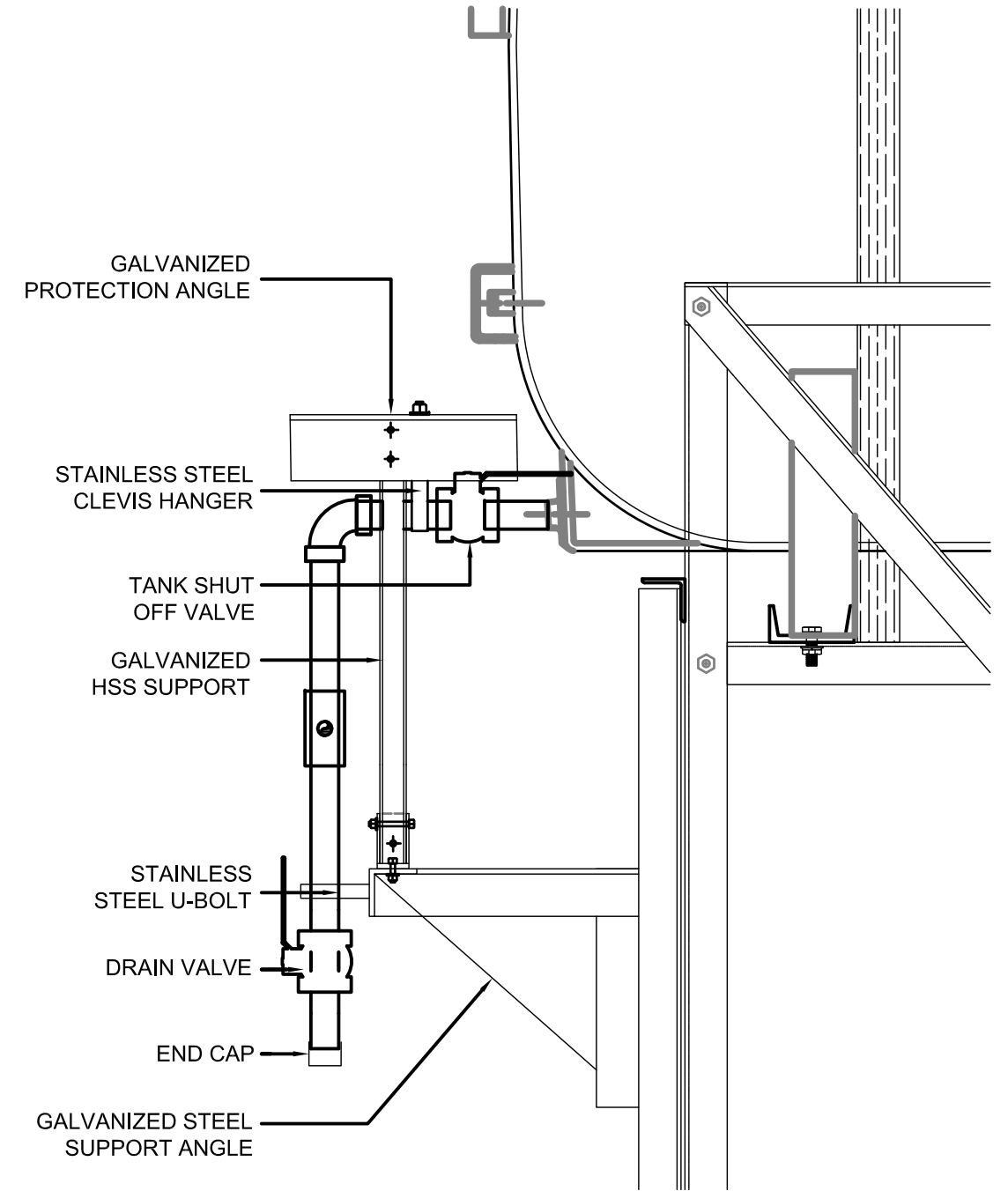
01 OIL TANK ELEVATION - A
M2.0 SCALE: 3/4"-1'-0"



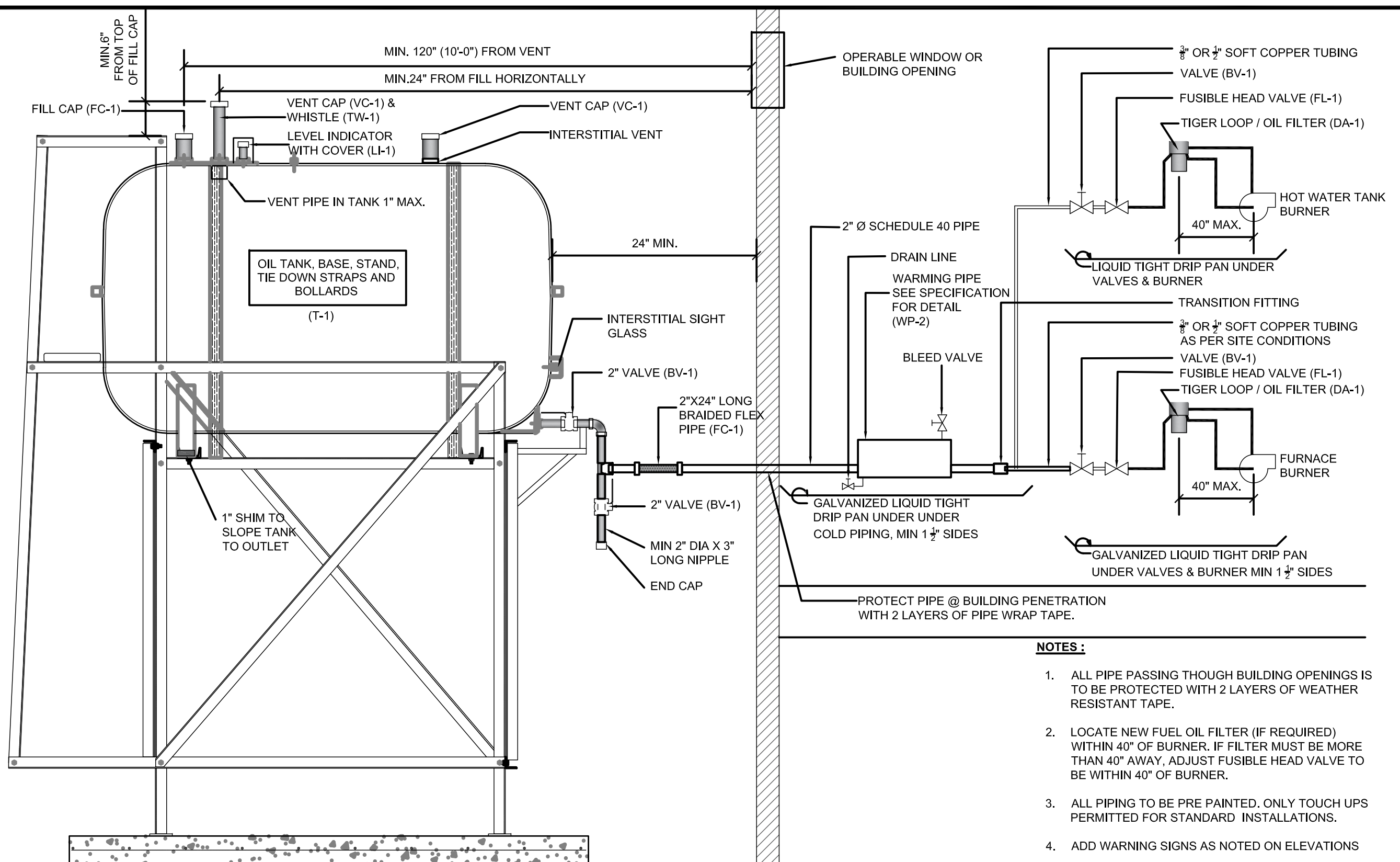
02 OIL TANK ELEVATION - B
M2.0 SCALE: 3/4"-1'-0"



01 FRONT VIEW
M2.1 SCALE: 1 1/2"-1'-0"



02 SIDE VIEW
M2.1 SCALE: 1 1/2"-1'-0"



NOTES :

1. ALL PIPE PASSING THOUGH BUILDING OPENINGS IS TO BE PROTECTED WITH 2 LAYERS OF WEATHER RESISTANT TAPE.
2. LOCATE NEW FUEL OIL FILTER (IF REQUIRED) WITHIN 40" OF BURNER. IF FILTER MUST BE MORE THAN 40" AWAY, ADJUST FUSIBLE HEAD VALVE TO BE WITHIN 40" OF BURNER.
3. ALL PIPING TO BE PRE PAINTED. ONLY TOUCH UPS PERMITTED FOR STANDARD INSTALLATIONS.
4. ADD WARNING SIGNS AS NOTED ON ELEVATIONS

01 SCHEMATIC - TANK, PIPING & ACCESSORIES : ON STAND
 M3.0 SCALE: NTS



PROJECT TITLE:
 RCMP "V" DIVISION OIL TANK REPLACEMENT - RESOLUTE BAY
 V399 - RESIDENCE , RESOLUTE BAY
 SHEET TITLE:
 SCHEMATIC - TANK, PIPING & ACCESSORIES
 PROJECT NUMBER:
 16-028-14-30

00	ISSUED FOR CONSTRUCTION	17 07 18	JLS
REV. #	REVISION	DATE (YY MM DD)	REV. BY

REV. #	REVISION	DATE (YY MM DD)	REV. BY
--------	----------	-----------------	---------

SCALE:
 AS NOTED
 DATE (YY MM DD):
 17 03 08

DRAWING NUMBER:
M3.0
 REVISION NUMBER:
 00