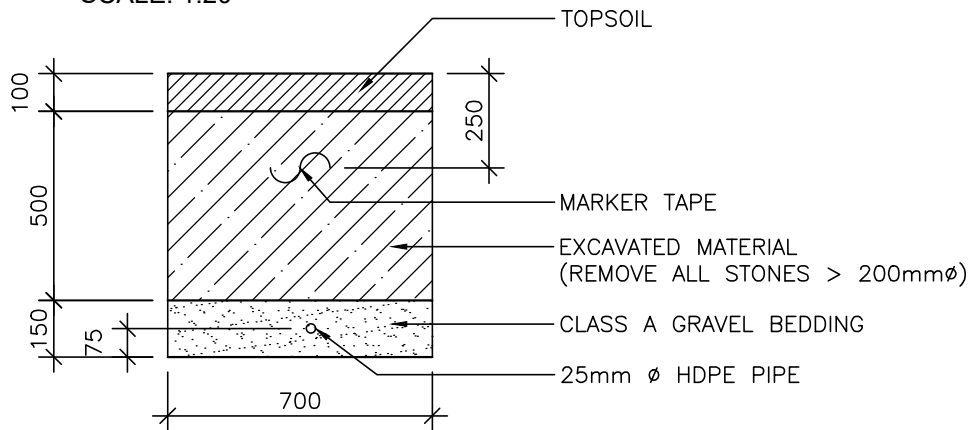
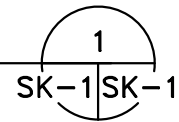


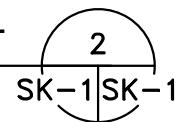
NEW SUPPLY TRENCH DETAIL

SCALE: 1:20



NEW DISTRIBUTION LINE TRENCH DETAIL

SCALE: 1:20



No.	Description	Date	By
0.	ISSUED FOR ADDENDUM	09-01-18	IH

R E V I S I O N S



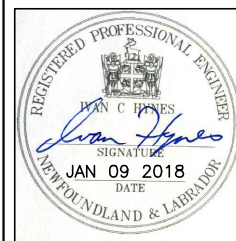
Drawing Title

TRENCH DETAILS

Project Title

PARKS CANADA
CAPE SPEAR
WATER SUPPLY SYSTEM

Stamp



Permit



Dwn. By W. BROPHY

Chk. By I. HYNES

Date JAN 09 2018

Scale 1:20

Proj. No.
555-16

Sheet No.
SK-1

Rev. No.
0