



Addendum N° 1

Date: January 19, 2018

Project: Washroom renovation

Bidders must make sure that their bids are based on the latest version of the tender documents published and take into consideration the following amendments and information, including any information provided in amendments or Q&As previously published for this project.

Bidders that do not comply with this requirement will be discarded.

1. Appendix "E" – Technical Specifications, 4. Contractor – General responsibilities

ADD:

If the main water supply to the building has to be shut down to isolate any washroom fixture, this will have to be carried out after 4:30 PM, Monday to Friday or Saturday, 8:00 AM to 12:00 PM.

2. Appendix "E" – Technical Specifications, 3. Approval of Alternative Materials and Partitions

REPLACE:

“Supply shop drawings and specifications for the washroom partitions received in writing by the Contracting Officer at least 5 calendar days prior to the bid closing date to verify partitions proposed meet the contracts specifications.”

BY:

Supply shop drawings and specifications for the washroom partitions received in writing by the Contracting Officer up to 5 calendar days after the award contract date to verify partitions proposed meet the contracts specifications.

3. Appendix "E" – Technical Specifications

REPLACE:

“Room 109A”

BY:

Room 137A.

4. Appendix "E" – Technical Specifications, 2. Scope of Work

ADD:

Urinal sight screens on 1st floor and 3rd floor shall be the same style and design. (Floor and wall mounted).

5. Appendix "E" – Technical Specifications

Add the attached document for the faucet specifications to this addendum #1 to the Appendix "E" – Technical Specifications.

All other conditions and requirements remain unchanged.



Buy it for looks. Buy it for life.®

*There is more than 1 version of this model.
Page down to identify the version you have.*

DESCRIPTION

- Metal construction with various finishes identified by suffix
- Flexible supplies with 3/8" compression fittings
- Includes metal or 50/50 pop-up type waste assembly where noted

OPERATION

- Pivot action lever style handle
- Temperature controlled through 100° degree arc of handle travel


FLOW

- Flow is limited to 1.5 gpm max (5.7L/min) at 60 psi

CARTRIDGE

- 1255™ Duralast™ cartridge
- Nonmetallic/nonferrous and stainless steel material

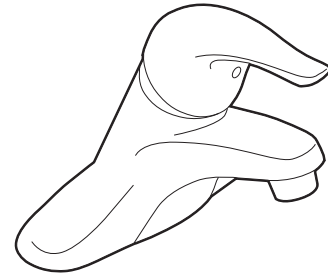
STANDARDS

- Third party certified to WaterSense,® CSA B-125.1, ASME A112.18.1 and all applicable requirements referenced therein including NSF61/9
- Contains no more than 0.25% weighted average lead content
- Complies with California Proposition 65 and with the Federal Safe Drinking Water Act
- **ADA**  for lever handle

WARRANTY

- Lifetime limited warranty against leaks, drips and finish defects to the original consumer purchaser
- 5 year warranty if used in commercial installations

Specifications



CHATEAU® Single-Handle Lavatory Faucet

with Metal Waste Assembly

Model: L4625 series
L4631BC

Bulk Packed (12 per carton):
L64624 series

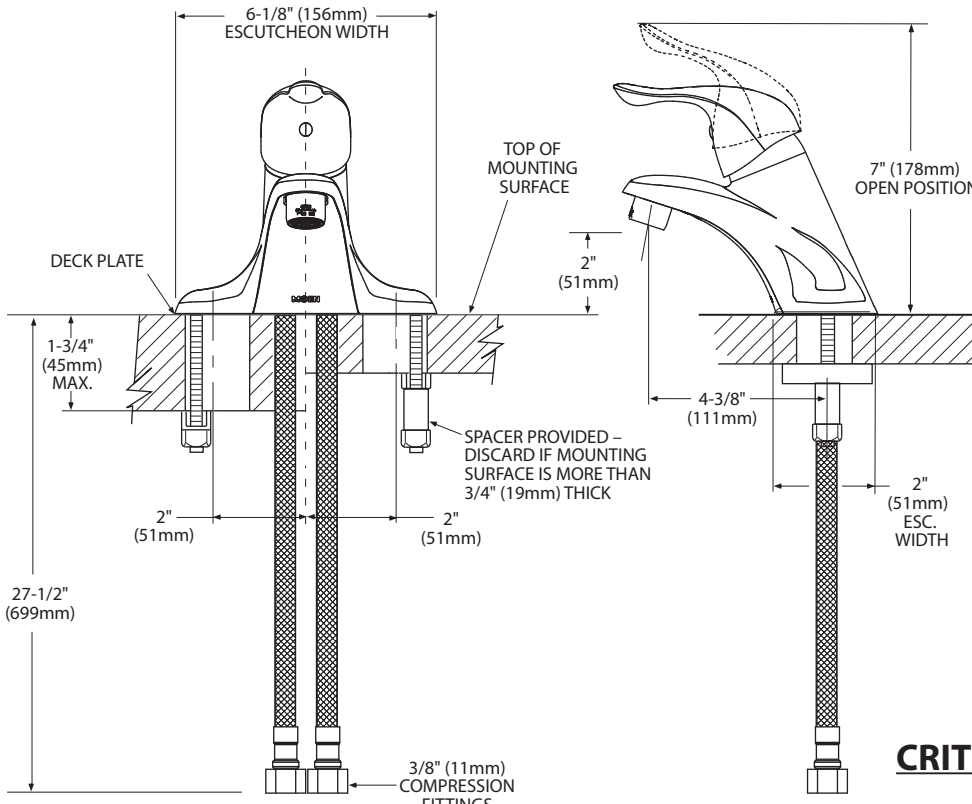
with 50/50 Waste Assembly

Bulk Packed (12 per carton):
L64625 series

Less Waste

Bulk Packed (12 per carton):
L64600 series

NOTE: THIS FAUCET IS DESIGNED TO BE
INSTALLED THRU 3-1" DIA. HOLES, 2" ON CENTER



CRITICAL DIMENSIONS

(DO NOT SCALE)



Buy it for looks. Buy it for life.®

Specifications

DESCRIPTION

- Metal construction with various finishes identified by suffix
- 16" long 3/8" tubing connections
- Includes metal or 50/50 pop-up type waste assembly where noted

OPERATION

- Pivot action lever style handle
- Temperature controlled through 180° degree arc of handle travel

FLOW

- Flow is limited to 1.5 gpm max (5.7L/min) at 60 psi

CARTRIDGE

- 1225 cartridge design
- Nonmetallic/nonferrous and stainless steel material
- Can accommodate reversed piping and back to back installations

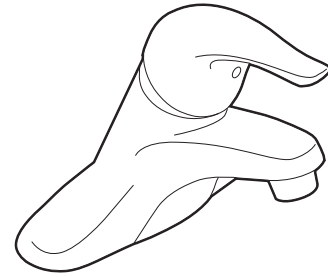
STANDARDS

- Third party certified to WaterSense,® CSA B-125.1, ASME A112.18.1 and all applicable requirements referenced therein including NSF61/9
- Complies with California Proposition 65 and with the Federal Safe Drinking Water Act

- **ADA**  for lever handle

WARRANTY

- Lifetime limited warranty against leaks, drips and finish defects to the original consumer purchaser
- 5 year warranty if used in commercial installations



CHATEAU® Single-Handle Lavatory Faucet

with Metal Waste Assembly

Model: L4625 series

L4631BC

Bulk Packed (12 per carton):

L64624 series

with 50/50 Waste Assembly

Bulk Packed (12 per carton):

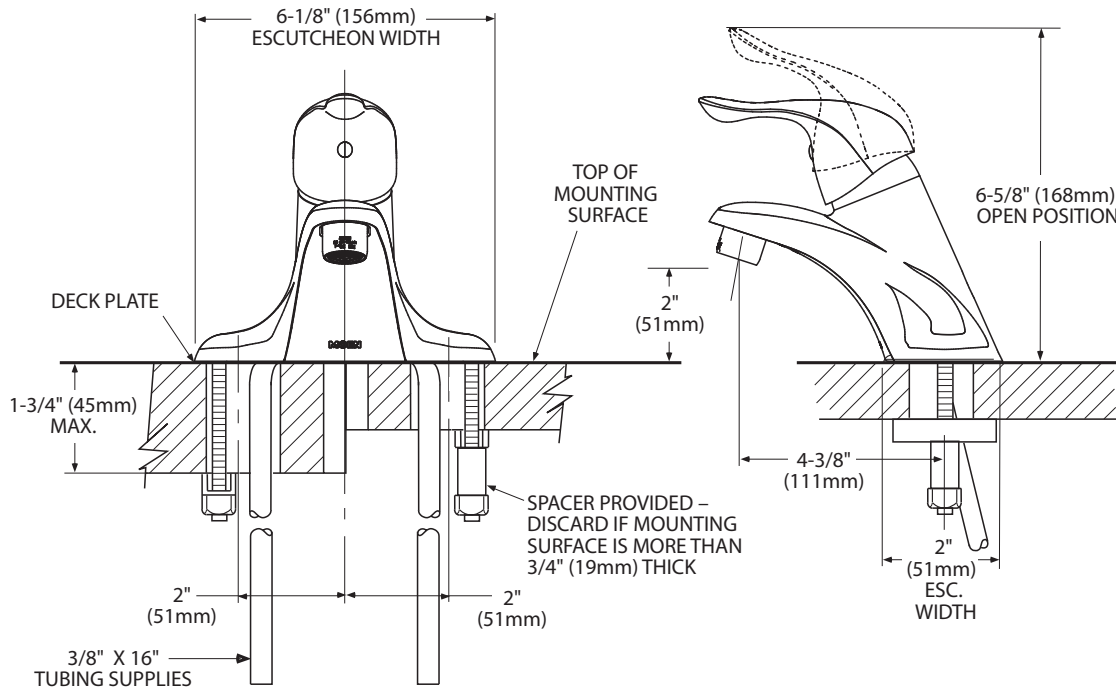
L64625 series

Less Waste

Bulk Packed (12 per carton):

L64600 series

NOTE: THIS FAUCET IS DESIGNED TO BE INSTALLED THRU 3-1" DIA. HOLES, 2" ON CENTER



CRITICAL DIMENSIONS

(DO NOT SCALE)