



Addenda N° 1

Date : Le 19 janvier 2018

Projet: Rénovation de toilettes

Les soumissionnaires doivent s'assurer que leurs propositions soient basées sur la version la plus récente des documents de soumission publiés et prennent en considération les informations ci-dessous, incluant toute information déjà publiée lors d'amendements ou Q&Rs antérieurs.

Les propositions ne respectant pas cette exigence seront rejetées.

1. Annexe "E"– Énoncé des travaux, 4. Contractor – General responsibilities

AJOUTER:

If the main water supply to the building has to be shut down to isolate any washroom fixture, this will have to be carried out after 4:30 PM, Monday to Friday or Saturday, 8:00 AM to 12:00 PM.

2. Annexe "E"– Énoncé des travaux, 3. Approval of Alternative Materials and Partitions

REEMPLACER:

“Supply shop drawings and specifications for the washroom partitions received in writing by the Contracting Officer at least 5 calendar days prior to the bid closing date to verify partitions proposed meet the contracts specifications.”

PAR:

Supply shop drawings and specifications for the washroom partitions received in writing by the Contracting Officer up to 5 calendar days after the award contract date to verify partitions proposed meet the contracts specifications.

3. Annexe "E"– Énoncé des travaux

REEMPLACER:

“Room 109A”

PAR:

Room 137A.

4. Annexe "E"– Énoncé des travaux, 2. Scope of Work

AJOUTER:

Urinal sight screens on 1st floor and 3rd floor shall be the same style and design. (Floor and wall mounted).

5. Annexe "E"– Énoncé des travaux

Ajouter le document ci-joint pour les spécifications du robinet à cet Addenda N° 1 à l'Annexe "E" - Énoncé des travaux.

Toutes les autres conditions et exigences demeurent inchangées.



Buy it for looks. Buy it for life.®

*There is more than 1 version of this model.
Page down to identify the version you have.*

DESCRIPTION

- Metal construction with various finishes identified by suffix
- Flexible supplies with 3/8" compression fittings
- Includes metal or 50/50 pop-up type waste assembly where noted

OPERATION

- Pivot action lever style handle
- Temperature controlled through 100° degree arc of handle travel


FLOW

- Flow is limited to 1.5 gpm max (5.7L/min) at 60 psi

CARTRIDGE

- 1255™ Duralast™ cartridge
- Nonmetallic/nonferrous and stainless steel material

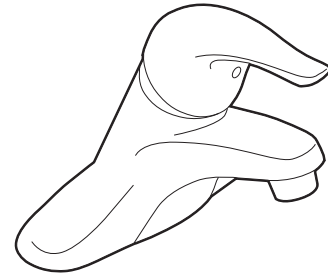
STANDARDS

- Third party certified to WaterSense,® CSA B-125.1, ASME A112.18.1 and all applicable requirements referenced therein including NSF61/9
- Contains no more than 0.25% weighted average lead content
- Complies with California Proposition 65 and with the Federal Safe Drinking Water Act
- **ADA**  for lever handle

WARRANTY

- Lifetime limited warranty against leaks, drips and finish defects to the original consumer purchaser
- 5 year warranty if used in commercial installations

Specifications



CHATEAU® Single-Handle Lavatory Faucet

with Metal Waste Assembly

Model: L4625 series
L4631BC

Bulk Packed (12 per carton):
L64624 series

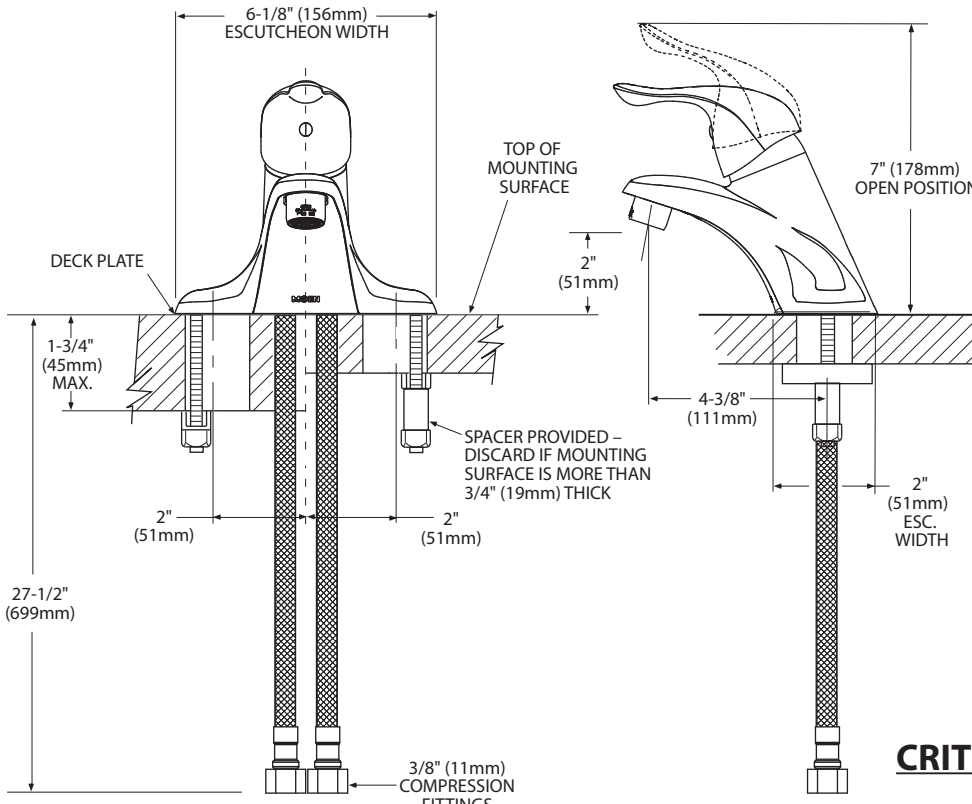
with 50/50 Waste Assembly

Bulk Packed (12 per carton):
L64625 series

Less Waste

Bulk Packed (12 per carton):
L64600 series

NOTE: THIS FAUCET IS DESIGNED TO BE
INSTALLED THRU 3-1" DIA. HOLES, 2" ON CENTER



CRITICAL DIMENSIONS

(DO NOT SCALE)



Buy it for looks. Buy it for life.®

Specifications

DESCRIPTION

- Metal construction with various finishes identified by suffix
- 16" long 3/8" tubing connections
- Includes metal or 50/50 pop-up type waste assembly where noted

OPERATION

- Pivot action lever style handle
- Temperature controlled through 180° degree arc of handle travel

FLOW

- Flow is limited to 1.5 gpm max (5.7L/min) at 60 psi

CARTRIDGE

- 1225 cartridge design
- Nonmetallic/nonferrous and stainless steel material
- Can accommodate reversed piping and back to back installations

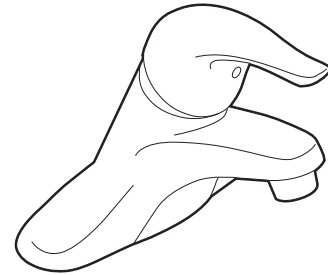
STANDARDS

- Third party certified to WaterSense,® CSA B-125.1, ASME A112.18.1 and all applicable requirements referenced therein including NSF61/9
- Complies with California Proposition 65 and with the Federal Safe Drinking Water Act

- **ADA**  for lever handle

WARRANTY

- Lifetime limited warranty against leaks, drips and finish defects to the original consumer purchaser
- 5 year warranty if used in commercial installations



CHATEAU® Single-Handle Lavatory Faucet

with Metal Waste Assembly

Model: L4625 series

L4631BC

Bulk Packed (12 per carton):

L64624 series

with 50/50 Waste Assembly

Bulk Packed (12 per carton):

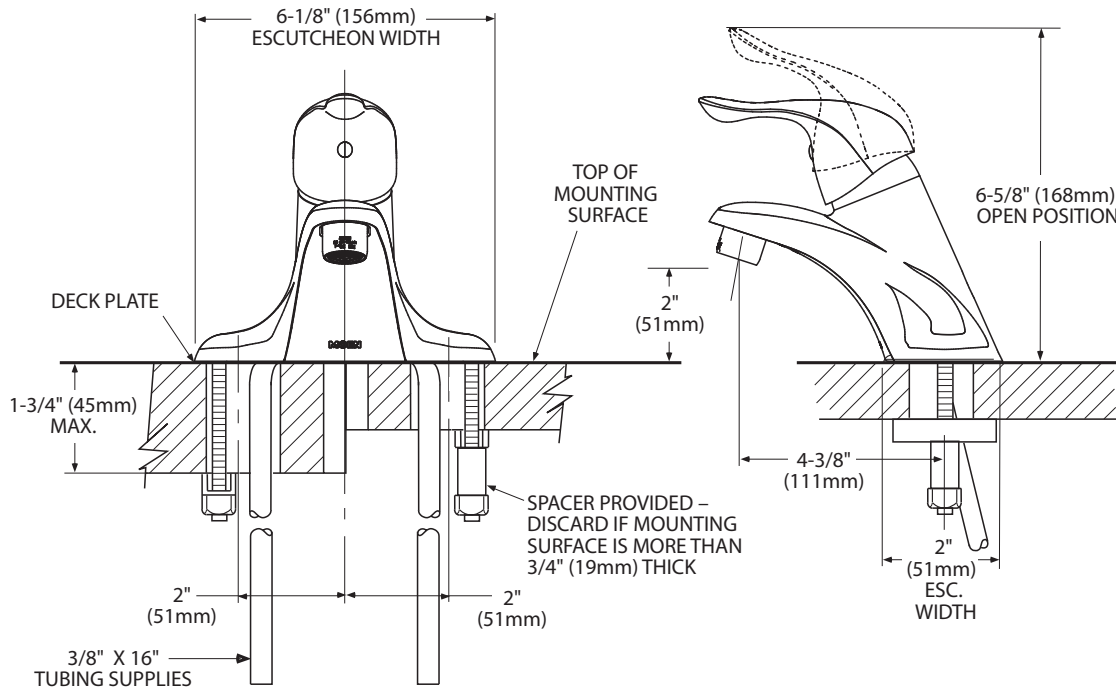
L64625 series

Less Waste

Bulk Packed (12 per carton):

L64600 series

NOTE: THIS FAUCET IS DESIGNED TO BE INSTALLED THRU 3-1" DIA. HOLES, 2" ON CENTER



CRITICAL DIMENSIONS

(DO NOT SCALE)