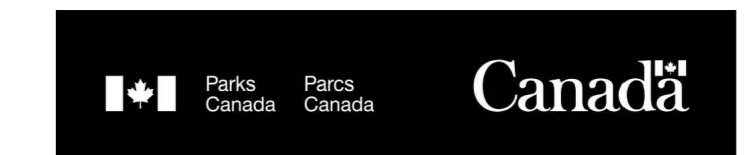


# KOUCHIBOUGUAC NATIONAL PARK

## SOUTH CAMPGROUND SERVICE BUILDING B



**ARCHITECTURAL**  
A-101 DEMOLITION PLANS  
A-102 PLANS, SCHEDULE ASSEMBLIES  
A-201 BUILDING ELEVATIONS  
A-202 FEMALE WASHROOM  
A-203 MALE WASHROOM  
A-501 MISCELLANEOUS DETAILS  
A-601 WASHROOM MILLWORK  
A-602 SCREEN DETAILS

**MECHANICAL:**

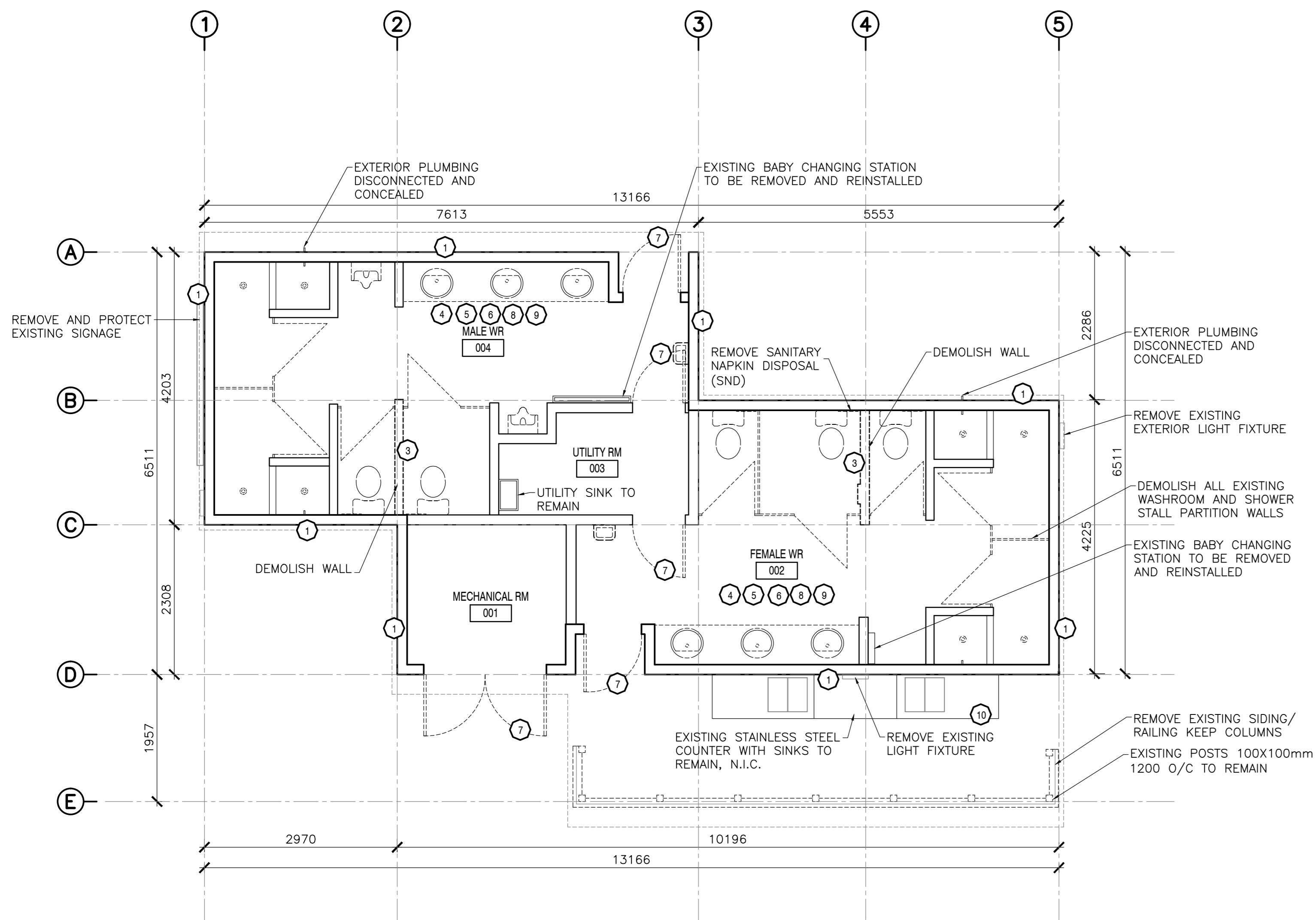
H-101 MECHANICAL SERVICES DEMOLITION  
AND NEW CONDITIONS

**ELECTRICAL:**

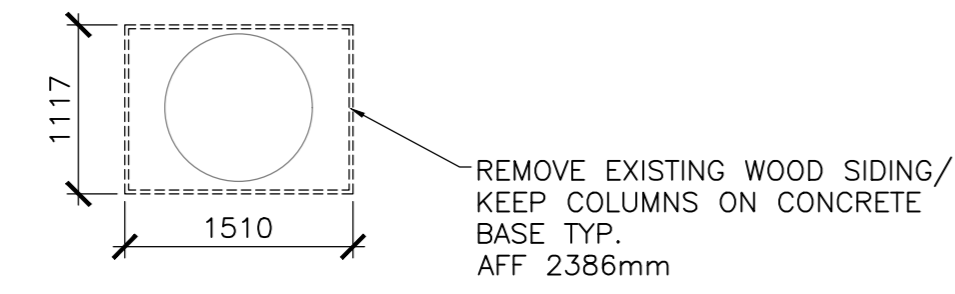
E-101 LEGENDS, FIXTURE AND PANEL SCHEDULES  
E-102 DEMOLITION, REVISED LIGHTING AND POWER PLANS



ISSUED FOR TENDER  
JANUARY 31, 2018



1  
101  
'B' - EXISTING/DEMOLITION  
SCALE: 1:50



2  
101  
'B' ROOF PLAN - EXISTING/DEMOLITION  
SCALE: 1:50

SYMBOL	DESCRIPTION
1	CONTRACTOR TO REMOVE ALL EXISTING EXTERIOR CLADDING ASSEMBLY, INCLUDING STRAPPING, RIGID INSULATION AND BUILDING PAPER WHERE APPLICABLE. PREPARE FOR NEW ASSEMBLIES. EXTERIOR WALL SHEATHING TO BE ASSESSED FOR RECEIVING NEW SIDING. EXISTING FLASHING AND TRIMS TO BE REMOVED AND PREPARED TO RECEIVE NEW. ANY DAMAGED COMPONENTS OF THE EXISTING ASSEMBLY TO BE REPORTED TO PARKS CANADA REPRESENTATIVE. PREPARE SURFACES FOR NEW ASSEMBLY. REFER TO EXISTING AND NEW ASSEMBLIES.
2	CONTRACTOR TO DEMOLISH ALL EXISTING ROOF SHINGLES AND UNDERLAYMENT. PREPARE FOR NEW ASSEMBLIES. EXTERIOR ROOF SHEATHING TO BE ASSESSED FOR RECEIVING NEW ROOFING. ANY DAMAGE TO ROOF SHEATHING, ROOF / WALL TRANSITIONS AND ROOF SUB-STRUCTURE TO BE REPORTED TO PARKS CANADA REPRESENTATIVE. EXISTING FLASHING TO BE REMOVED. PREPARE SURFACES TO RECEIVE NEW FLASHING AT TRANSITIONS, ROOF PENETRATIONS AND WHERE REQUIRED. ROOF FASCIA BOARDS AND GUTTERS TO BE REMOVED AND REPLACED WHERE APPLICABLE. REFER TO EXISTING AND NEW ASSEMBLIES.
3	CONTRACTOR TO REMOVE EXISTING INTERIOR PARTITION WALL AS INDICATED IN ARCHITECTURAL DRAWINGS. MAKE ALL WALL, CEILING, FLOOR SURFACES GOOD TO RECEIVE NEW FINISH. REFER TO ARCHITECTURAL DRAWINGS FOR PROPOSED FINISHES.
4	CONTRACTOR TO REMOVE EXISTING FLOORING AND PREPARE SLAB FOR NEW FLOOR FINISH. CONTRACTOR TO ADDRESS ANY DRAINAGE DAMAGE/ISSUES - (TO BE CONFIRMED WITH PARKS CANADA). REFER TO ARCHITECTURAL DRAWINGS FOR PROPOSED FINISHES.
5	CONTRACTOR TO REMOVE EXISTING INTERIOR WALL PANELING - FRP AND ANY DAMAGED PLYWOOD SUBSTRATE. REFER TO ARCHITECTURAL DRAWINGS FOR PROPOSED FINISHES.
6	CONTRACTOR TO REMOVE EXISTING CEILING ASSEMBLIES AND CEILING SUSPENSION SYSTEMS, INCLUDING AIR RETURNS AND LIGHT FIXTURES. REFER TO ARCHITECTURAL DRAWINGS FOR PROPOSED FINISHES. REFER TO MECHANICAL AND ELECTRICAL DRAWINGS FOR DEMO AND PROPOSED PLANS.
7	CONTRACTOR TO REMOVE EXISTING EXTERIOR AND INTERIOR DOORS. PREPARE OPENINGS TO RECEIVE NEW. REPLACE ANY DAMAGED FLASHING. REFER TO ARCHITECTURAL DRAWINGS FOR DOOR, HARDWARE AND FINISH SCHEDULE.
8	CONTRACTOR TO REMOVE ALL FIXTURES AND FINISHES FROM THE EXISTING WASHROOMS AND PREPARE FOR NEW FINISHES. REFER TO ARCHITECTURAL DRAWINGS AND FINISH SCHEDULES. REFER TO MECHANICAL AND ELECTRICAL DRAWINGS FOR DEMO AND PROPOSED PLANS.
9	CONTRACTOR TO REMOVE ALL EXISTING WASHROOM ACCESSORIES AND PREPARE ALL SURFACES FOR NEW, INCLUDING EXISTING WASHROOM/SHOWER PARTITIONS. REFER TO ARCHITECTURAL DRAWINGS, FINISH SCHEDULES AND SPECIFICATIONS.
10	CONTRACTOR TO DISCONNECT OUTDOOR SINKS' PLUMBING AND RELOCATE EXISTING (N.I.C.) STAINLESS STEEL OUTDOOR SINKS AND COUNTERTOPS FOR THE DURATION OF THE CONSTRUCTION. COORDINATE TEMPORARY LOCATION WITH PARKS CANADA.

NOTE: ALL DRAWINGS TO BE REFERENCED FOR SCOPE OF DEMOLITION AND PREPARATION FOR NEW ASSEMBLIES/FINISHES

WALL/ROOF ASSEMBLIES: EXISTING

- W1 - TYPICAL WALL ASSEMBLY (EXISTING)**
  - VERTICAL WOOD SIDING (19 X 127mm ROUGH SAWN TREATED PINE)
  - 15# ASPHALT FELT BUILDING PAPER
  - 9.5mm ASPENITE SHEATHING
  - 38 X 89mm STUD @ 400mm O.C.
  - 38 X 89 HORIZONTAL BLOCKING @ 610mm O.C.
  - 13mm PLYWOOD SHEATHING
  - FRP (Fiberglass Reinforced Panel)
- W2 - TYPICAL WALL ASSEMBLY (EXISTING)**
  - VERTICAL WOOD SIDING (19mm X 127mm ROUGH SAWN TREATED PINE)
  - SMIC RIGID INSULATION ON 9.5mm PLYWOOD
  - 38 X 89mm STUD @ 400mm O.C.
  - 38 X 89 HORIZONTAL BLOCKING @ 610mm O.C.
  - 212 BATT INSULATION
  - 4ml. POLY VAPOUR BARRIER
  - 13mm CONCRETE BACKER BOARD
  - CERAMIC TILE TO CEILING
- P1 - TYPICAL WALL ASSEMBLY (EXISTING)**
  - 13mm G15 PLYWOOD
  - 38 X 89mm STUD @ 400mm O.C.
  - 38 X 89 HORIZONTAL BLOCKING @ 610mm O.C.
  - 13mm G15 PLYWOOD
- R1 - TYPICAL ROOF ASSEMBLY (EXISTING)**
  - ASPHALT SHINGLES
  - 15# ASPHALT FELT BUILDING PAPER
  - 13mm PLYWOOD SHEATHING
  - 50 X 150mm RAFTERS @ 400mm O.C.
  - SUSPENDED PLYWOOD CEILING
  - SUSPENDED ACOUSTICAL CEILING



**EKISTICS PLANNING & DESIGN**  
1 STARR LANE, DARTMOUTH  
PH: (902)461-2525 FAX: (902)465-3131



5	ISSUED FOR TENDER	01/31
4	ISSUED FOR BS8	12/21
3	ISSUED FOR BS4	11/15
2	ISSUED FOR BS3	09/25
1	ISSUED FOR BS2	08/09

revisors  
date  
project  
project  
FACILITY REHABILITATION  
KOUCHIBOUQUAC  
NATIONAL PARK  
KOUCHIBOUQUAC  
NEW BRUNSWICK

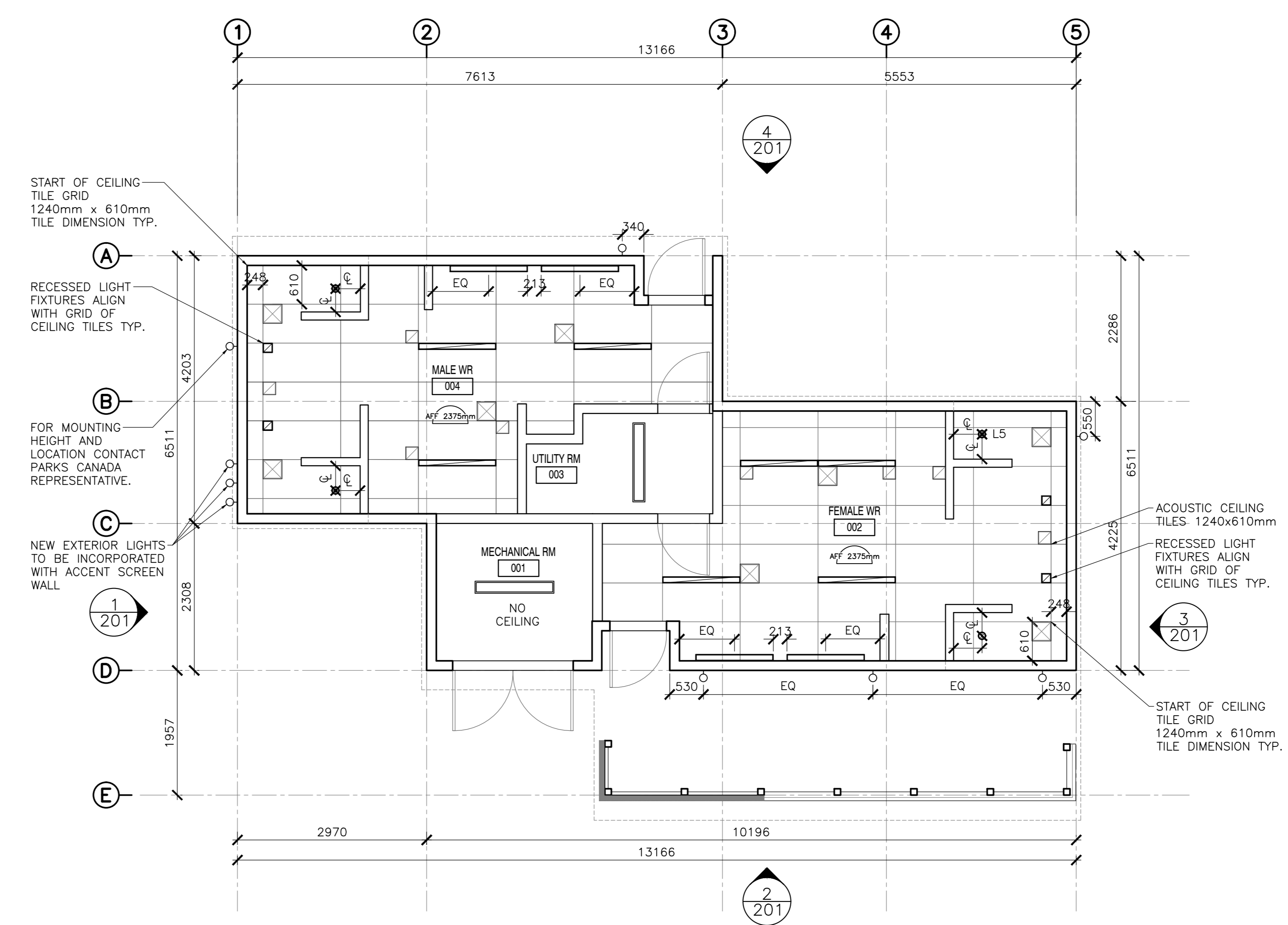
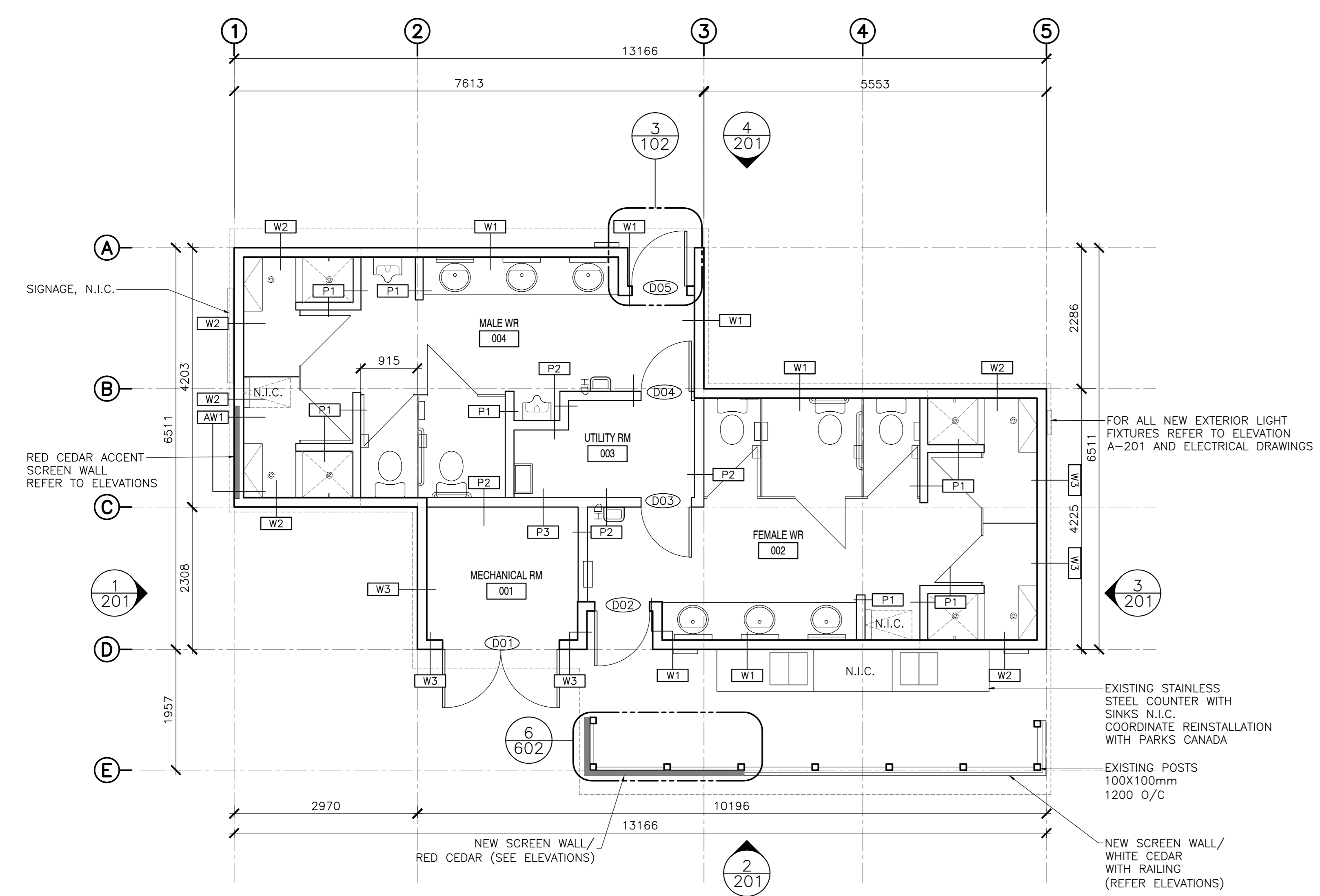
drawing  
dessin  
SERVICE BUILDING 'B'  
DEMOLITION PLANS

assigned  
conçu  
date  
drawn  
dessiné  
date  
approved  
approuvé  
date  
Tender  
Soumission  
PWSC Project Manager  
Administrateur de projets TPSC  
project number  
no. du projet  
1848-954  
drawing no.  
no. du dessin  
A-101

- GENERAL NOTES:**
1. ALL DIMENSIONS TO BE VERIFIED BY CONTRACTOR
  2. ALL ROUGH OPENINGS TO BE CONFIRMED PRIOR TO ORDERING WINDOWS AND DOORS
  3. ALL CEILING HEIGHT DIMENSIONS ARE FOR GENERAL REFERENCE. CONTRACTOR TO CONFIRM FINISHED CEILING HEIGHTS ON SITE.
  4. ALL DRAWINGS TO BE REFERENCED FOR SCOPE OF DEMOLITION AND PREPARATION FOR NEW ASSEMBLIES/FINISHES
  5. WHERE SOFFIT FINISHES ARE TO BE REPLACED, PATCH, REPAIR, AND REPLACE FRAMING AS REQUIRED TO SUPPORT NEW FINISH
  6. ANY REMOVAL, TEMPORARY RELOCATION AND REINSTALLATION OF THE EXISTING EQUIPMENT, FIXTURES, SIGNAGE, ETC., RELATED TO THE CONSTRUCTION AND FOR THE DURATION OF THE SAME TO BE DONE UNDER DIRECTIONS AND SUPERVISION OF PARKS CANADA REPRESENTATIVE.
  7. IF REQUIRED, RE-GRADE AROUND BUILDING PERIMETER TO ENSURE POSITIVE DRAINAGE AND MAINTAIN 203mm CLEARANCE FROM EXISTING SIDING TO GRADE, COORDINATE WITH PARKS CANADA.
- SCHEDULE TAG NOTES:**
1. WALL TAGS (W1) INDICATE ENTIRETY OF WALL TO BE RE-CLAD UNLESS NOTED OTHERWISE. SEE DRAWING A-301 FOR TYPICAL RE-CLADDING DETAILS
  2. PAINT TAG (P1) INDICATES ALL ROOM WALLS AND CEILING TO BE PAINTED UNLESS NOTED OTHERWISE.
  3. WALL TILE TAG (T1) INDICATES WALLS TO BE TILED. SEE DETAILED PLANS AND INTERIOR ELEVATIONS FOR EXACT PLACEMENT AND HEIGHTS
  4. FLOOR FINISH TAG (F1) INDICATES FLOOR FINISH. FOR DETAILS AND ORIENTATION OF FLOOR PATTERN, REFER TO DETAILED PLAN DRAWINGS



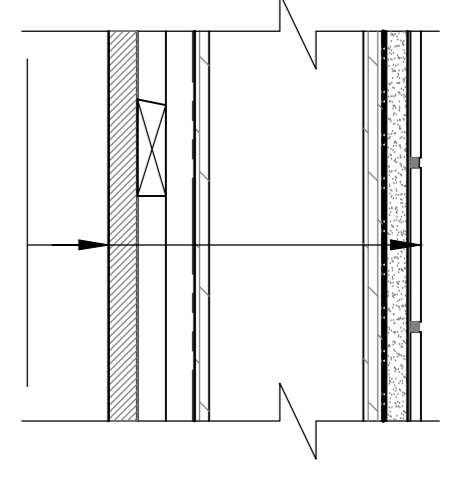
**EKISTICS PLANNING & DESIGN**  
 1 STARR LANE, DARTMOUTH  
 PH: (902)461-2525 FAX: (902)465-3131



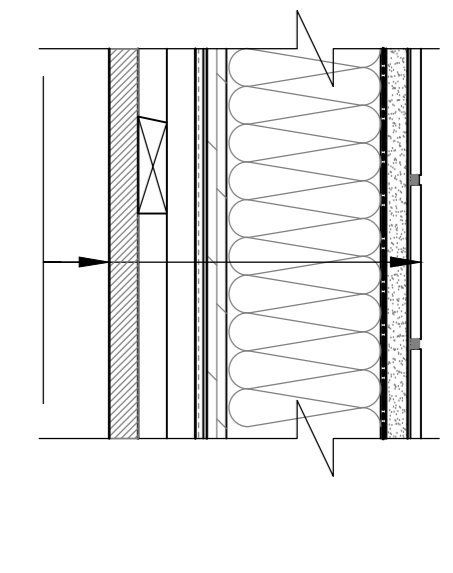
**WALL/ROOF ASSEMBLIES: PROPOSED**

NOTE: FOR NEW SIDING PROFILE SEE DETAIL 14/501

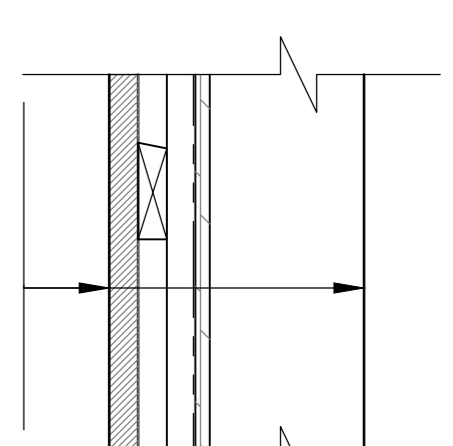
- W1 TYPICAL WALL ASSEMBLY (PROPOSED)**
- NEW 19mm X 133mm VERTICAL WHITE CEDAR WOOD SIDING
  - NEW 19mm HORIZONTAL FURRING @ 400mm O.C./AIR SPACE
  - NEW 19mm VERTICAL FURRING @ 400mm O.C./AIR SPACE
  - NEW VAPOR PERMEABLE AIR/WEATHER BARRIER
  - EXISTING 13mm EXTERIOR GRADE SHEATHING
  - EXISTING 38x89mm STUD @ 400mm O.C.
  - EXISTING 38"x89" HORIZONTAL BLOCKING @ 610"O.C.
  - EXISTING 13mm PLYWOOD SHEATHING
  - NEW "SMART" VAPOR RETARDED MEMBRANE
  - NEW MOISTURE RESISTANT GYPSUM BOARD OR TILE BACKER-BOARD DEPENDENT ON INTERIOR FINISH
  - INTERIOR FINISHES VARY



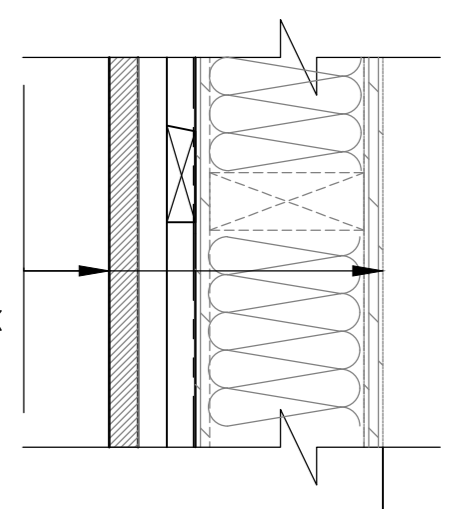
- W2 TYPICAL WALL ASSEMBLY (PROPOSED)**
- NEW 19mm X 133mm VERTICAL WHITE CEDAR WOOD SIDING
  - NEW 19mm HORIZONTAL FURRING @ 400mm O.C./AIR SPACE
  - NEW 19mm VERTICAL FURRING @ 400mm O.C./AIR SPACE
  - NEW VAPOR PERMEABLE AIR/WEATHER BARRIER
  - 25mm RIGID FOAM INSULATION R-5
  - 13mm EXTERIOR GRADE SHEATHING
  - 38x89mm STUD @ 410mm O.C.
  - 38"x89" HORIZONTAL BLOCKING @ 610mm O.C.
  - BATT INSULATION R-20
  - NEW "SMART" VAPOR RETARDED MEMBRANE
  - NEW MOISTURE RESISTANT GYPSUM BOARD OR TILE BACKER-BOARD DEPENDENT ON INTERIOR FINISH
  - INTERIOR FINISHES VARY



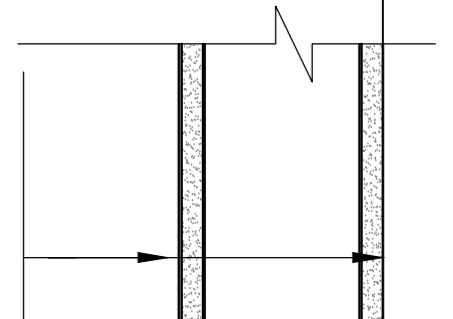
- W3 TYPICAL WALL ASSEMBLY (PROPOSED)**
- NEW 19mm X 133mm VERTICAL WHITE CEDAR WOOD SIDING
  - NEW 19mm HORIZONTAL FURRING @ 400mm O.C./AIR SPACE
  - NEW 19mm VERTICAL FURRING @ 400mm O.C./AIR SPACE
  - NEW VAPOR PERMEABLE AIR/WEATHER BARRIER
  - EXISTING 13mm EXTERIOR GRADE SHEATHING
  - EXISTING 38x89mm STUD @ 400mm O.C./SIZE VARIES
  - EXISTING 38"x89" HORIZONTAL BLOCKING @ 610"O.C.



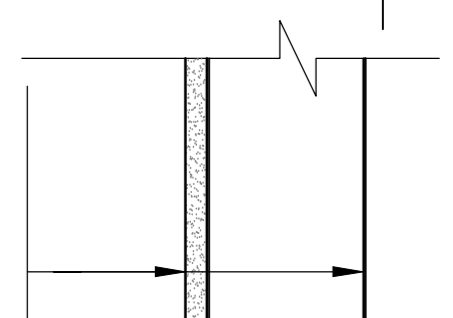
- AW1 TYPICAL ACCENT WALL - SECTION**
- NEW 38 X 30mm VERTICAL RED CEDAR WOOD SIDING. REFER TO A-400 FOR DETAILS
  - NEW 19mm HORIZONTAL FURRING @ 400mm O.C. PAINTED BLACK / AIR SPACE
  - NEW 19mm VERTICAL FURRING @ 400mm O.C. PAINTED BLACK / AIR SPACE
  - NEW VAPOR PERMEABLE UV PROTECTED WEATHER BARRIER-BLACK
  - EXISTING SHEATHING/INSULATION WHERE APPLICABLE, STUDS, HORIZONTAL BLOCKING
  - FOR INTERIOR WALL APPLICATIONS REFER TO INDIVIDUAL WALL ASSEMBLIES



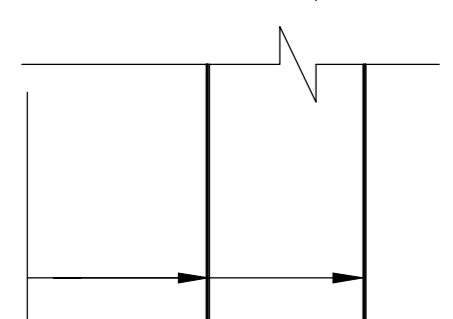
- P1 TYPICAL WALL ASSEMBLY (PROPOSED)**
- VAPOUR PERMEABLE PAINT
  - NEW MOISTURE RESISTANT GYPSUM BOARD, PAINTED
  - EXISTING 38x89mm STUD @ 400mm O.C.
  - EXISTING 38"x89" HORIZONTAL BLOCKING @ 610"O.C.
  - NEW MOISTURE RESISTANT GYPSUM BOARD, PAINTED
  - VAPOUR PERMEABLE PAINT



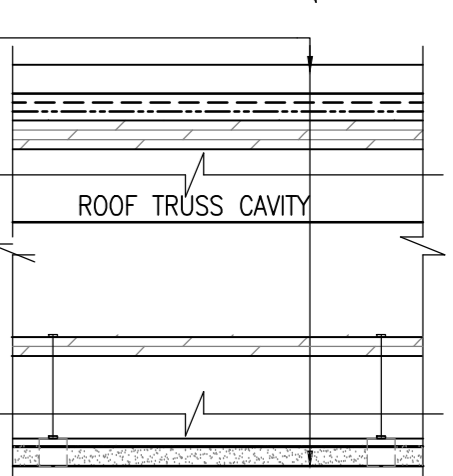
- P2 TYPICAL WALL ASSEMBLY (PROPOSED)**
- NEW MOISTURE RESISTANT GYPSUM BOARD
  - VAPOUR PERMEABLE PAINT
  - EXISTING 38x89mm STUD @ 400mm O.C.
  - EXISTING 38"x89" HORIZONTAL BLOCKING @ 610"O.C.
  - EXISTING



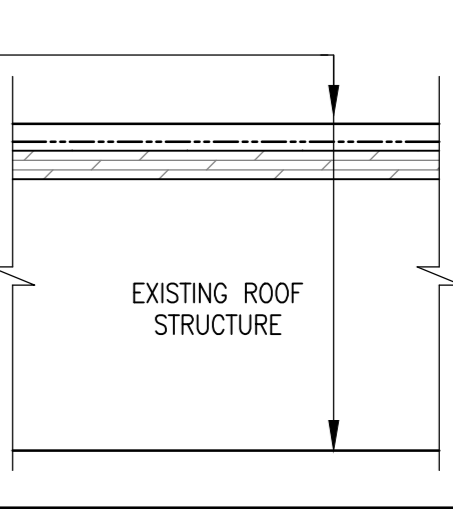
- P3 TYPICAL WALL ASSEMBLY (EXISTING)**
- EXISTING EXPOSED STUDS
  - EXISTING 38x89mm STUD @ 400mm O.C.
  - EXISTING 38"x89" HORIZONTAL BLOCKING @ 610"O.C.
  - EXISTING EXPOSED STUDS



- TYPICAL ROOF ASSEMBLY (PROPOSED)**
- NEW STANDING SEAM METAL ROOF
  - NEW VENT/DRAINAGE MAT
  - NEW UNDERLAYMENT SBS MEMBRANE
  - EXISTING ROOF SHEATHING
  - EXISTING ROOF TRUSS
  - EXISTING SUSPENDED PLYWOOD CEILING
  - NEW "SMART" VAPOR RETARDED MEMBRANE
  - T-BAR SUSPENSION SYSTEM
  - MINERAL FIBRE ACOUSTICAL CEILING TILE 610 X 1220mm WHERE APPLICABLE



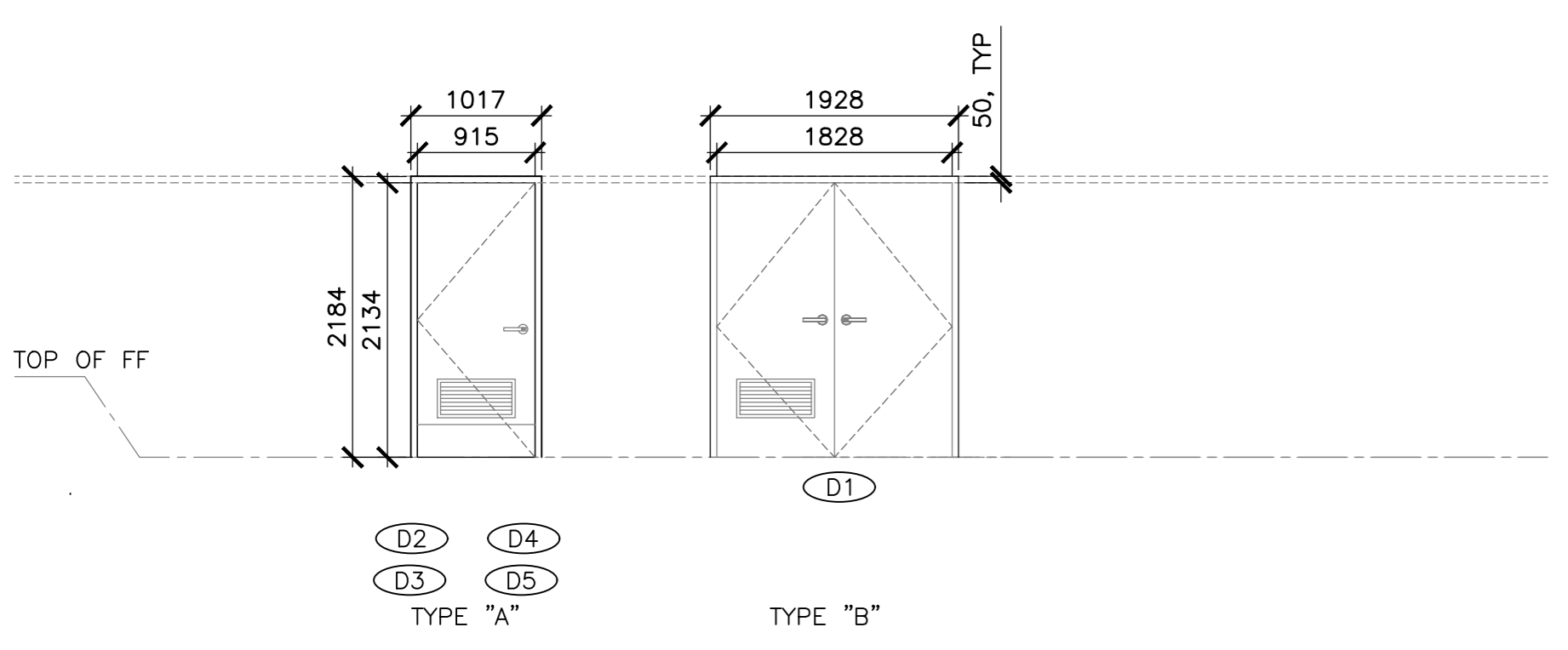
- TYPICAL ROOF ASSEMBLY (PROPOSED)**
- NEW ASPHALT ROOF SHINGLES (DARK CHARCOAL GREY)
  - NEW WATERPROOFING UNDERLAYMENT
  - (EXISTING) ROOF SHEATHING
  - (EXISTING) ROOF STRUCTURE
  - EXISTING ROOF SHEATHING
  - EXISTING ROOF TRUSS
  - EXISTING SUSPENDED PLYWOOD CEILING
  - NEW "SMART" VAPOR RETARDED MEMBRANE
  - T-BAR SUSPENSION SYSTEM
  - MINERAL FIBRE ACOUSTICAL CEILING TILE 610 X 1220mm WHERE APPLICABLE



1 'B' - PROPOSED  
 SCALE: 1:50

2 'B' REFLECTED CEILING PLAN - PROPOSED  
 SCALE: 1:50

3 NEW ENTRANCE DETAIL - NOTE  
 SCALE: 1:50



4 DOOR SCHEDULE  
 SCALE: 1:50

DOOR SCHEDULE SYMBOL	DOOR WIDTH	DOOR HEIGHT	DESCRIPTION	DOOR TYPE	HARDWARE
D1	1828mm	2134mm	HOLLOW METAL DOOR / PRESSED STEEL FRAME	B	H1
D2	915mm	2134mm	HOLLOW METAL DOOR / PRESSED STEEL FRAME	A	H2
D3	915mm	2134mm	HOLLOW METAL DOOR / PRESSED STEEL FRAME	A	H3
D4	915mm	2134mm	HOLLOW METAL DOOR / PRESSED STEEL FRAME	A	H3
D5	915mm	2134mm	HOLLOW METAL DOOR / PRESSED STEEL FRAME	A	H2

- NOTES:**
1. ALL BUILDING DIMENSIONS TO BE VERIFIED ON SITE
  2. ALL R.O. TO BE CONFIRMED PRIOR TO ORDERING WINDOWS AND DOORS

5 'B' ROOF PLAN - PROPOSED  
 SCALE: 1:50

ISSUED FOR	DATE
5 ISSUED FOR TENDER	01/31
4 ISSUED FOR B58	12/21
3 ISSUED FOR B54	11/15
2 ISSUED FOR B53	09/25
1 ISSUED FOR B52	08/09

revisors: \_\_\_\_\_ date: \_\_\_\_\_  
 project: \_\_\_\_\_  
**FACILITY REHABILITATION  
 KOUCHIBOUQUAC  
 NATIONAL PARK  
 KOUCHIBOUQUAC  
 NEW BRUNSWICK**

drawing: \_\_\_\_\_  
**SERVICE BUILDING 'B'  
 PLANS,  
 SCHEDULE, ASSEMBLIES**

assigned: \_\_\_\_\_  
 date: \_\_\_\_\_  
 drawn: \_\_\_\_\_  
 date: \_\_\_\_\_  
 approved: \_\_\_\_\_  
 date: \_\_\_\_\_  
 Tender: \_\_\_\_\_  
 PWSGC Project Manager / Administrateur de projets TPSGC  
 project number: \_\_\_\_\_  
 1848-954  
 drawing no. \_\_\_\_\_  
 A-102

\*NOTE: REGRADE AROUND BUILDING PERIMETER TO ENSURE POSITIVE DRAINAGE AND MAINTAIN 8" CLEARANCE FROM EXT. SIDING TO GRADE

NOTE: ALL HEIGHT DIMENSIONS ARE FOR GENERAL REFERENCE. CONTRACTOR TO CONFIRM FINISHED CEILING HEIGHTS ON SITE.

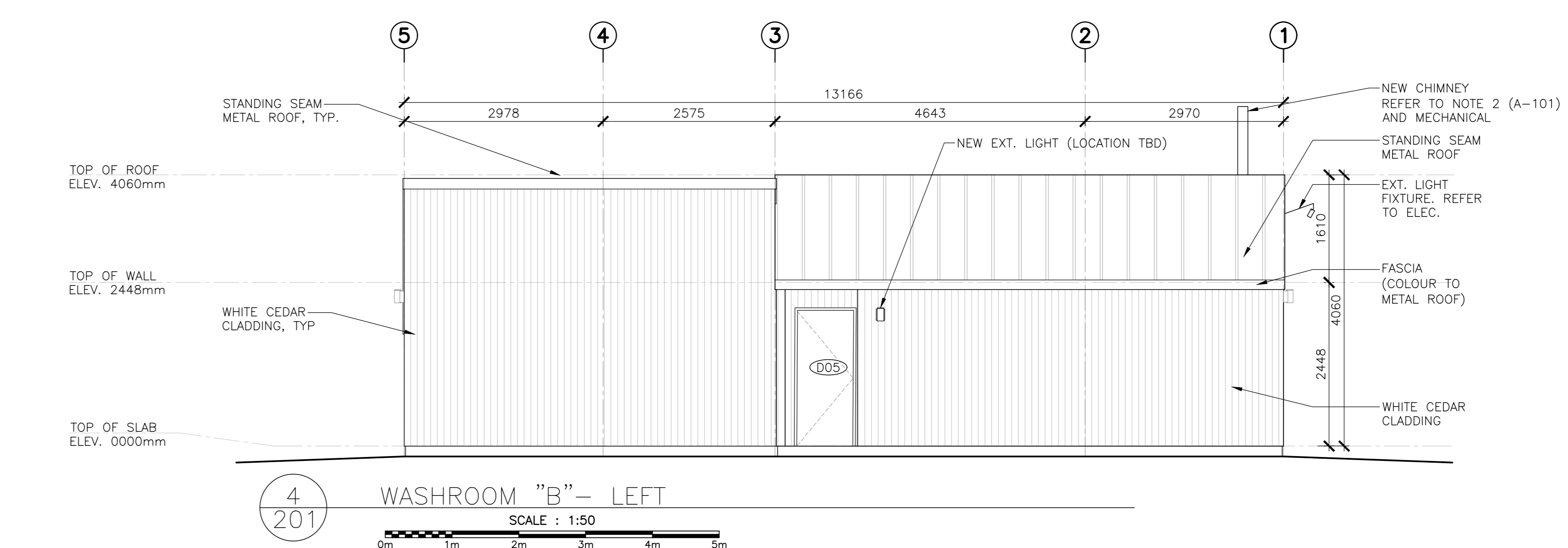
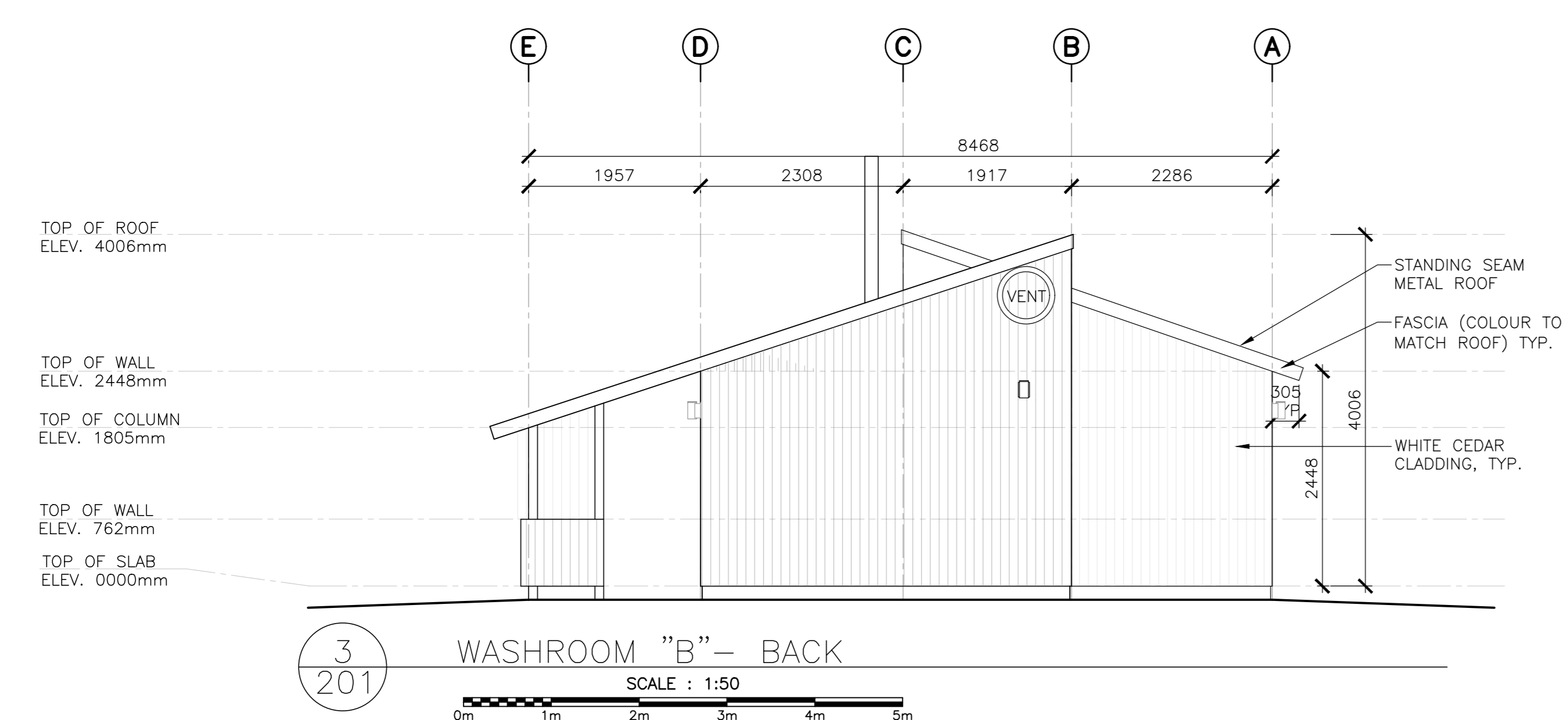
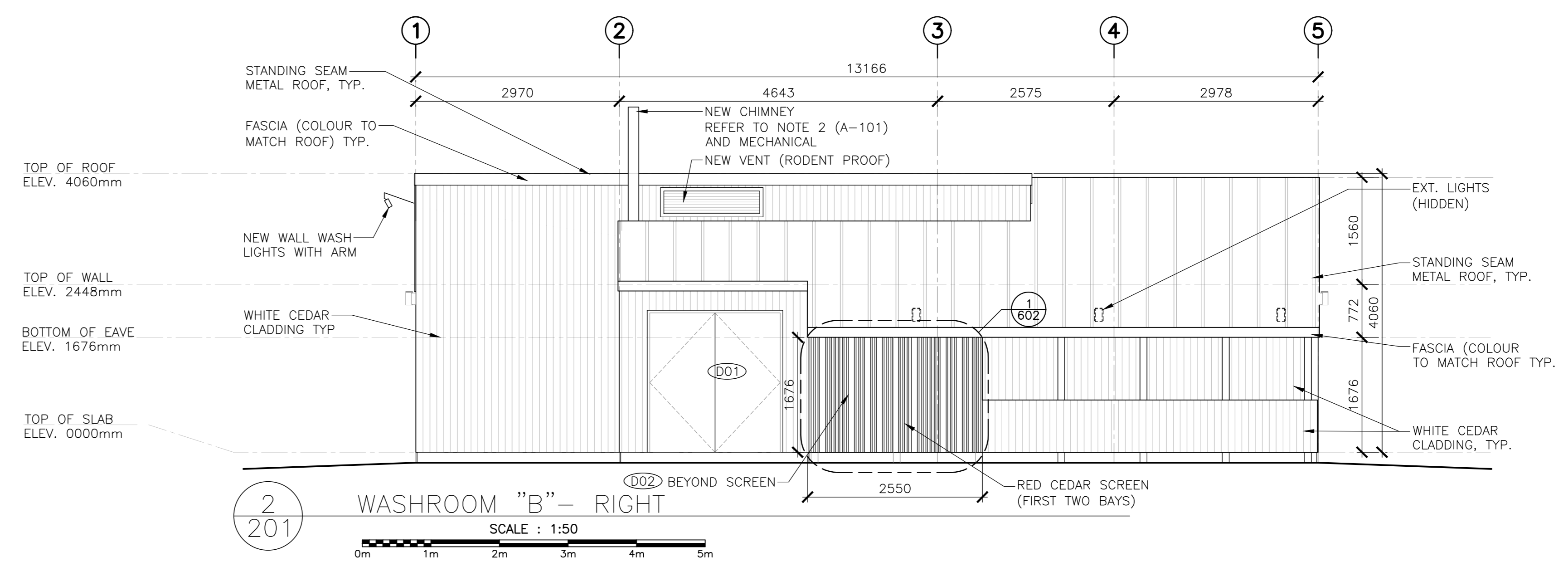
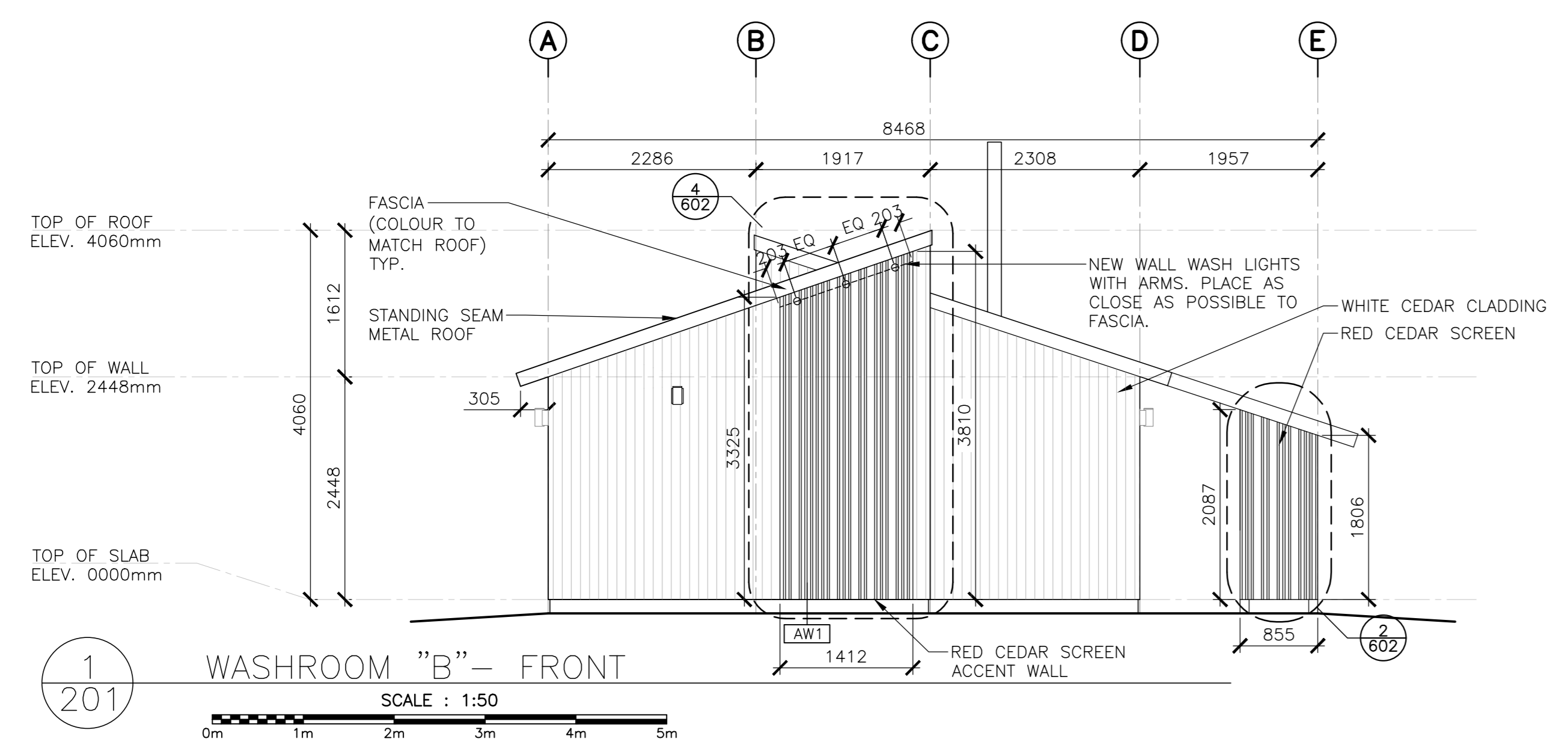


5	ISSUED FOR TENDER	01/31
4	ISSUED FOR BS8	12/21
3	ISSUED FOR BS4	11/15
2	ISSUED FOR BS3	09/25
1	ISSUED FOR BS2	08/09

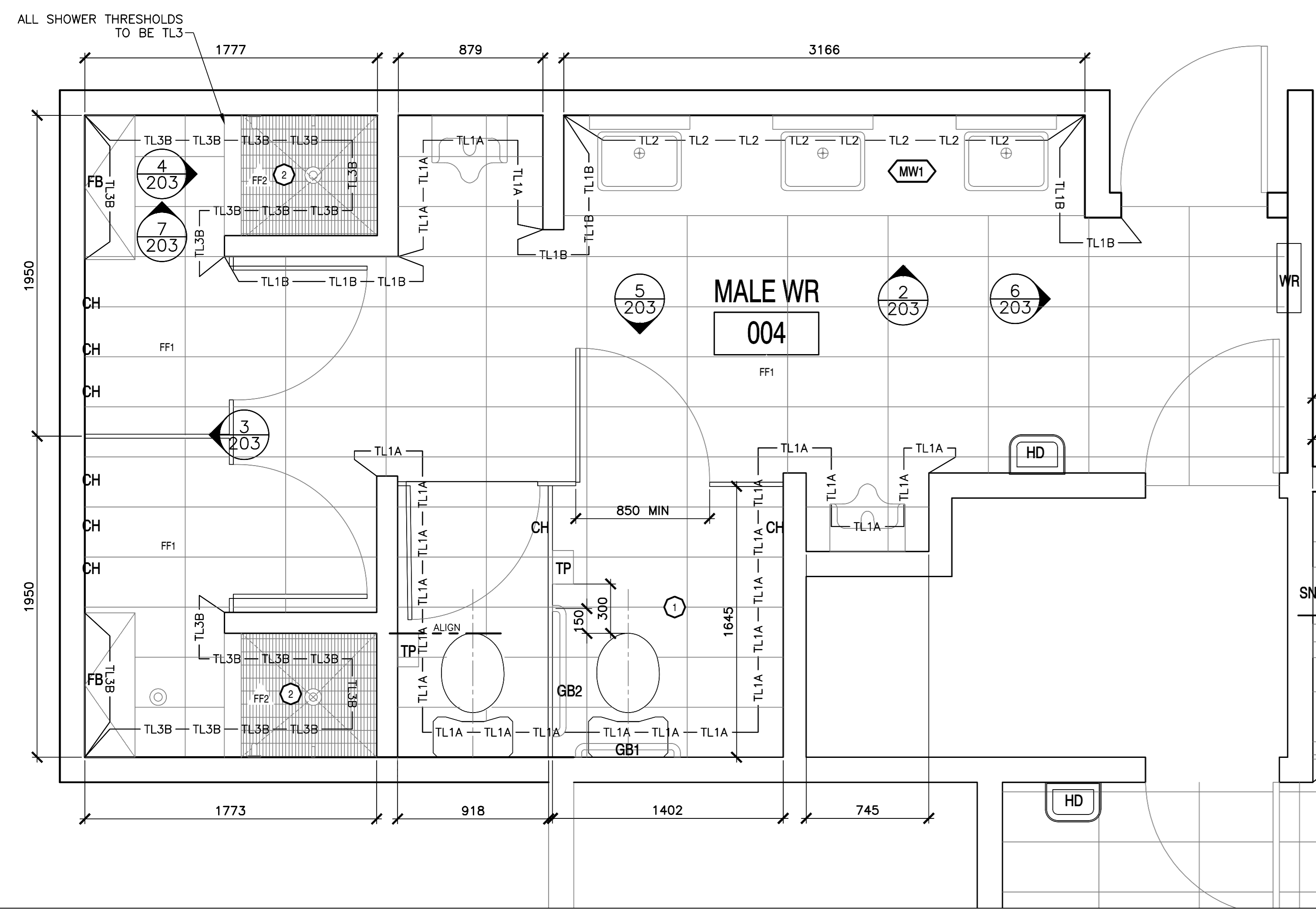
revisors \_\_\_\_\_ date \_\_\_\_\_  
project \_\_\_\_\_  
FACILITY REHABILITATION  
KOUCHIBOUQUAC  
NATIONAL PARK  
KOUCHIBOUQUAC  
NEW BRUNSWICK

drawing \_\_\_\_\_  
SERVICE BUILDING 'B'  
BUILDING ELEVATIONS

designed \_\_\_\_\_  
date \_\_\_\_\_  
drawn \_\_\_\_\_  
date \_\_\_\_\_  
approved \_\_\_\_\_  
date \_\_\_\_\_  
Tender \_\_\_\_\_  
PWSC Project Manager \_\_\_\_\_  
project number \_\_\_\_\_  
1848-954  
drawing no. \_\_\_\_\_  
no. du dessin \_\_\_\_\_  
A-201







**FIXTURES AND FINISHES GENERAL NOTES**

1. ALL INTERIOR WALL FINISHES TO BE PT1 U.N.O.
2. ALL TOILET AND SHOWER PARTITIONS TO BE HIGH PRESSURE LAMINATE SOLID CORE COLOUR, FLOOR MOUNTED. REFER TO SPECIFICATIONS.
3. ALL BARRIER FREE TOILETS TO BE MOUNTED 460mm FROM WALL TO CENTERLINE OF FIXTURE. ALL OTHER TOILETS TO BE CENTERED ON STALL.
4. ALL TILE TRANSITIONS TO HAVE STAINLESS STEEL STRIP - REFER TO SPECIFICATIONS.
5. NO TILE TO RUN BEHIND MILLWORK. MILLWORK TO BE MOUNTED DIRECTLY TO DRYWALL. PROVIDE BLOCKING AS REQUIRED.
6. ALL PT1 WALLS WITHOUT TILE TO RECEIVE 4" TL1 TILE BASE.
7. ALL ACCESSORIES AND FIXTURES TO BE MOUNTED AT BARRIER FREE HEIGHTS U.N.O.
8. REFER TO MECHANICAL DRAWINGS FOR ALL PLUMBING FIXTURES.

**FIXTURES AND FINISHES KEY NOTES**

SYMBOL DESCRIPTION

- 1 THIS TOILET STALL CONTAINS ALL BARRIER FREE FIXTURES. REFER TO SPECIFICATIONS.
- 2 THIS SHOWER STALL CONTAINS ALL BARRIER FREE FIXTURES. REFER TO SPECIFICATIONS.

**FLOOR FINISH TILE**

SYMBOL	DESCRIPTION
FF1	WALL TILE/FLOOR TILE MANUFACTURER: CIOT COLLECTION: CONCRETE PROJECT COLOUR: 'N' SIZE: 30cm X 60cm INSTALLATION: HORIZONTAL STACK BOND GROUT: FLEXITILE, CHARCOAL *685 585, 3mm UNSANDED.
FF2	FLOOR TILE MANUFACTURER: OLYMPIA COLLECTION: UNICOLOUR MOSAIC COLOUR: EXTRA WHITE MATTE SIZE: 27.7cm X 29.2cm INSTALLATION: HORIZONTAL STACK BOND GROUT: FLEXITILE, SNOWHITE *651 551, 3mm UNSANDED.

**PAINT FINISH SCHEDULE**

SYMBOL DESCRIPTION

PT1 FIELD PAINT  
MANUFACTURER: BENJAMIN MOORE  
COLOUR: CC-30 OXFORD WHITE  
FINISH: EGGSHELL

**WALL TILE FINISH**

SYMBOL	DESCRIPTION
TL1A	WALL TILE/FLOOR TILE MANUFACTURER: CIOT COLLECTION: CONCRETE PROJECT COLOUR: 'N' SIZE: 30cm X 60cm INSTALLATION: HORIZONTAL STACK BOND TO 1220mm A.F.F. GROUT: FLEXITILE, CHARCOAL *685 585, 3mm UNSANDED.
TL1B	WALL TILE/FLOOR TILE MANUFACTURER: CIOT COLLECTION: CONCRETE PROJECT COLOUR: 'N' SIZE: 30cm X 60cm INSTALLATION: HORIZONTAL STACK BOND - FINISHED FLOOR TO CEILING GROUT: FLEXITILE, CHARCOAL *685 585, 3mm UNSANDED.
TL2	WALL TILE MANUFACTURER: CERA GRES COLLECTION: SENIO LACCATI COLOUR: MELA CHARO SIZE: 9.85cm X 33cm INSTALLATION: VERTICAL STACK BOND - FINISHED FLOOR TO CEILING GROUT: FLEXITILE, IVORY *682 582, 3mm UNSANDED.
TL3A	WALL TILE MANUFACTURER: OLYMPIA TILE COLOUR: EXTRA WHITE FINISH: MATTE
TL3B	WALL TILE MANUFACTURER: OLYMPIA TILE COLOUR: EXTRA WHITE FINISH: MATTE SIZE: 30cm X 60cm INSTALLATION: HORIZONTAL STACK BOND TO 1220mm GROUT: FLEXITILE, SNOWHITE *651 551, 3mm UNSANDED.

**WASHROOM ACCESSORY LEGEND**

SYMBOL	DESCRIPTION
M	MIRROR - CENTER ON SINK
WR	WASTE RECEPTAL / AS SHOWN
SD	SOAP DISPENSER - REFER TO SPECIFICATION
TP	TOILET PAPER DISPENSER
CH	CLOTHS HOOK
GB1	STAINLESS STEEL GRAB BAR 610mm, CENTERED ON TOILET
GB2	STAINLESS STEEL GRAB BAR 915mm
FB	FOLDING BENCH
HD	HAND DRYER
SNR	FEMININE NAPKIN DISPOSAL BIN
SH	SHOWER FIXTURE

**MILLWORK SCHEDULE (SEE A-600'S FOR MILLWORK DRAWINGS)**

SYMBOL DESCRIPTION

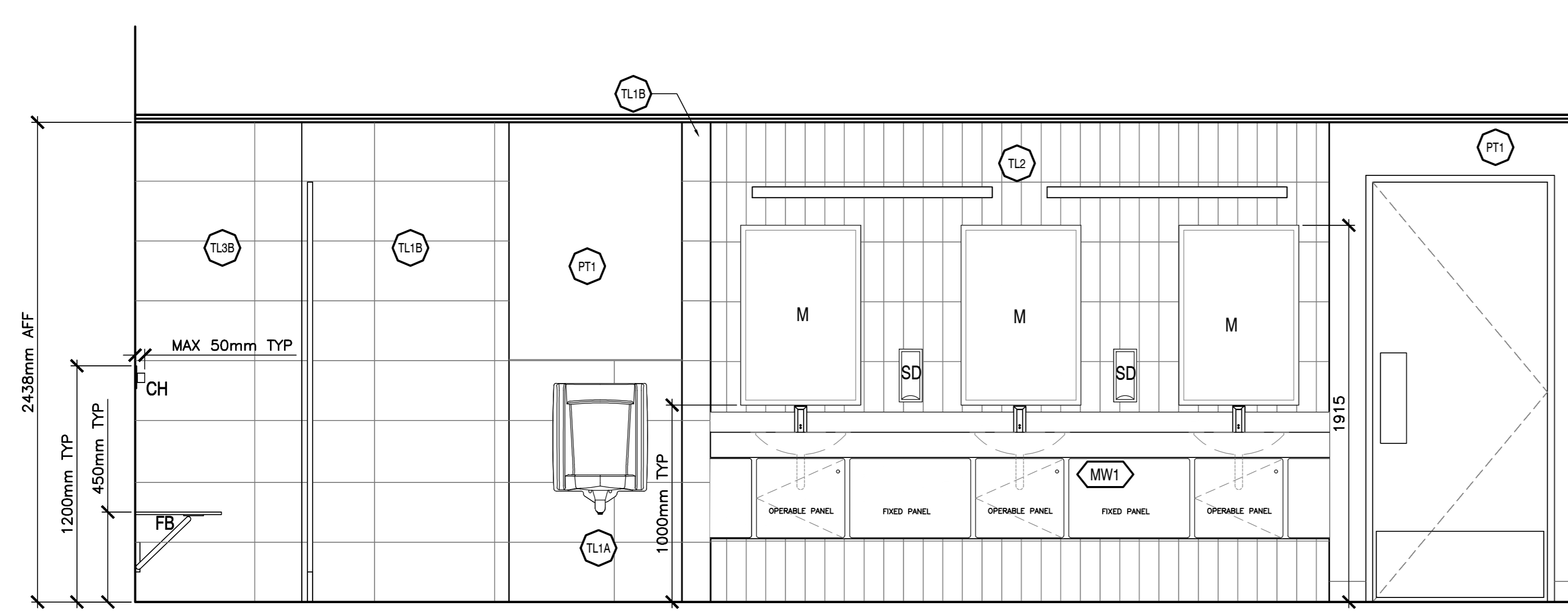
MW1 WASHROOM VANITY:

VANITY COUNTERTOP: SOLID COLOUR CORE, DUPONT CORIAN, DEEP TITANIUM

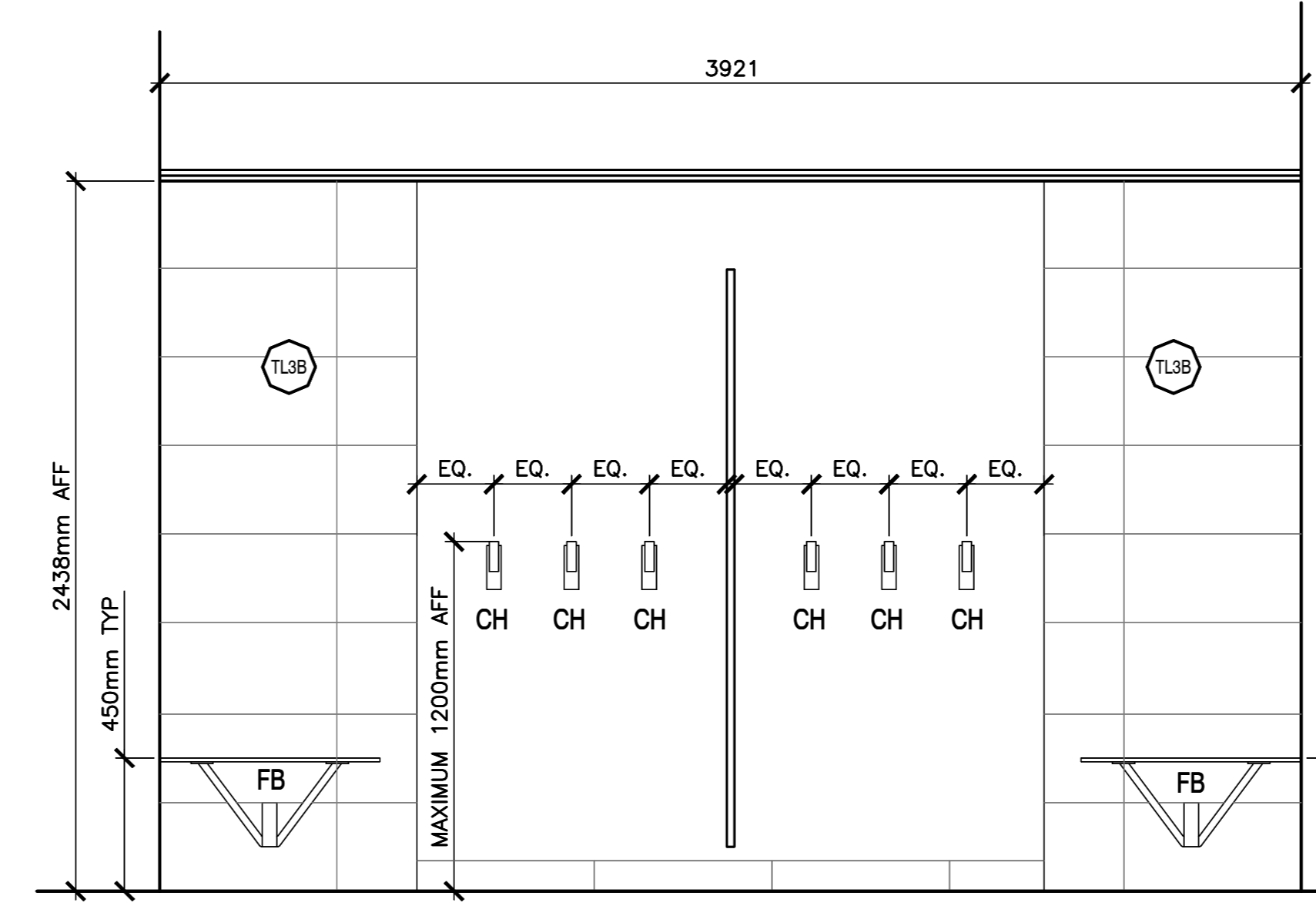
VANITY CABINET: HIGH PRESSURE LAMINATE, WHITE (EXACT FINISH TBD)

NOTE: ALL CEILING HEIGHT DIMENSIONS ARE FOR GENERAL REFERENCE. CONTRACTOR TO CONFIRM FINISHED CEILING HEIGHTS ON SITE.

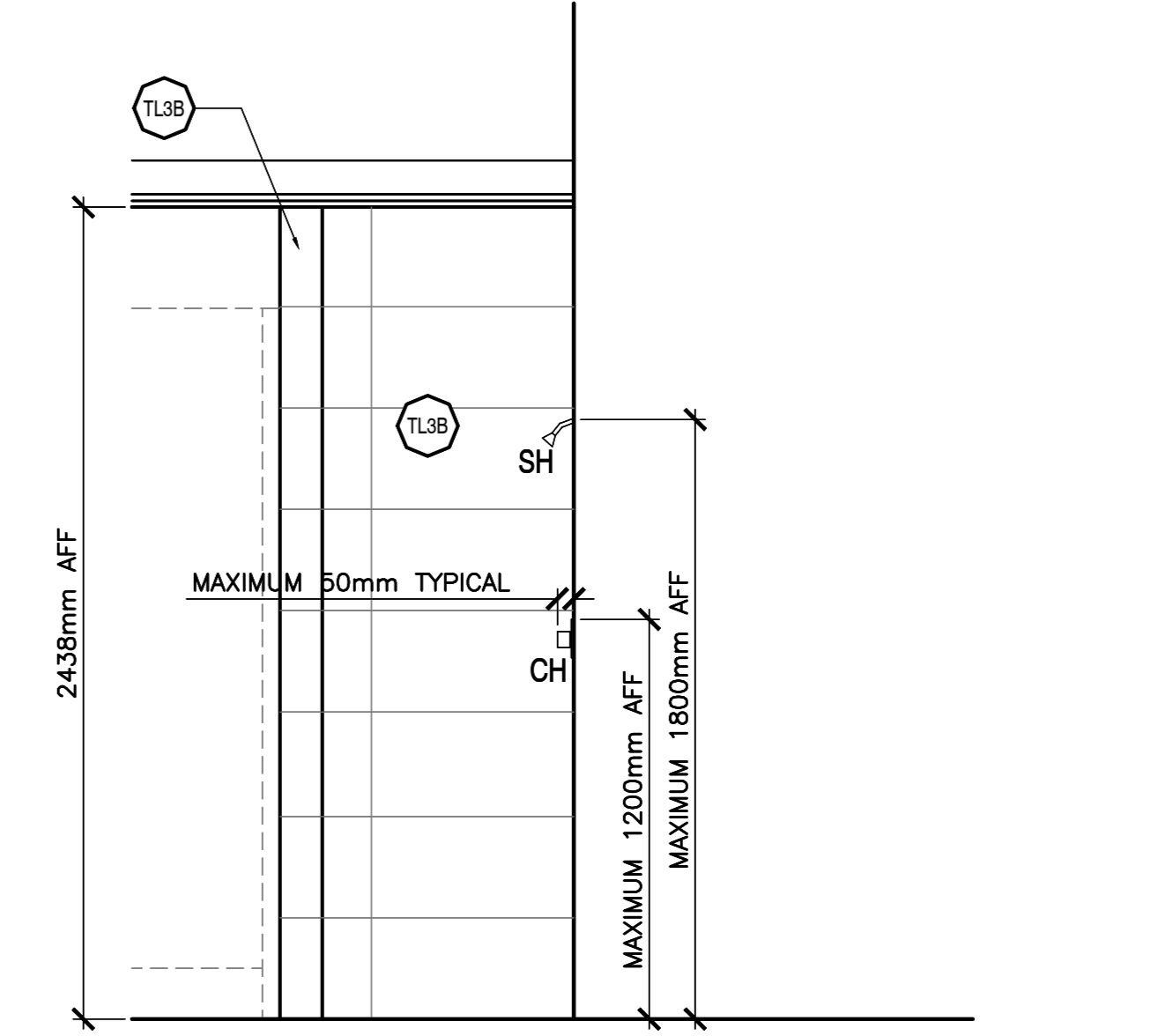
1 BUILDING 'B' MALE WASHROOM - FLOOR PLAN  
SCALE: 1:20



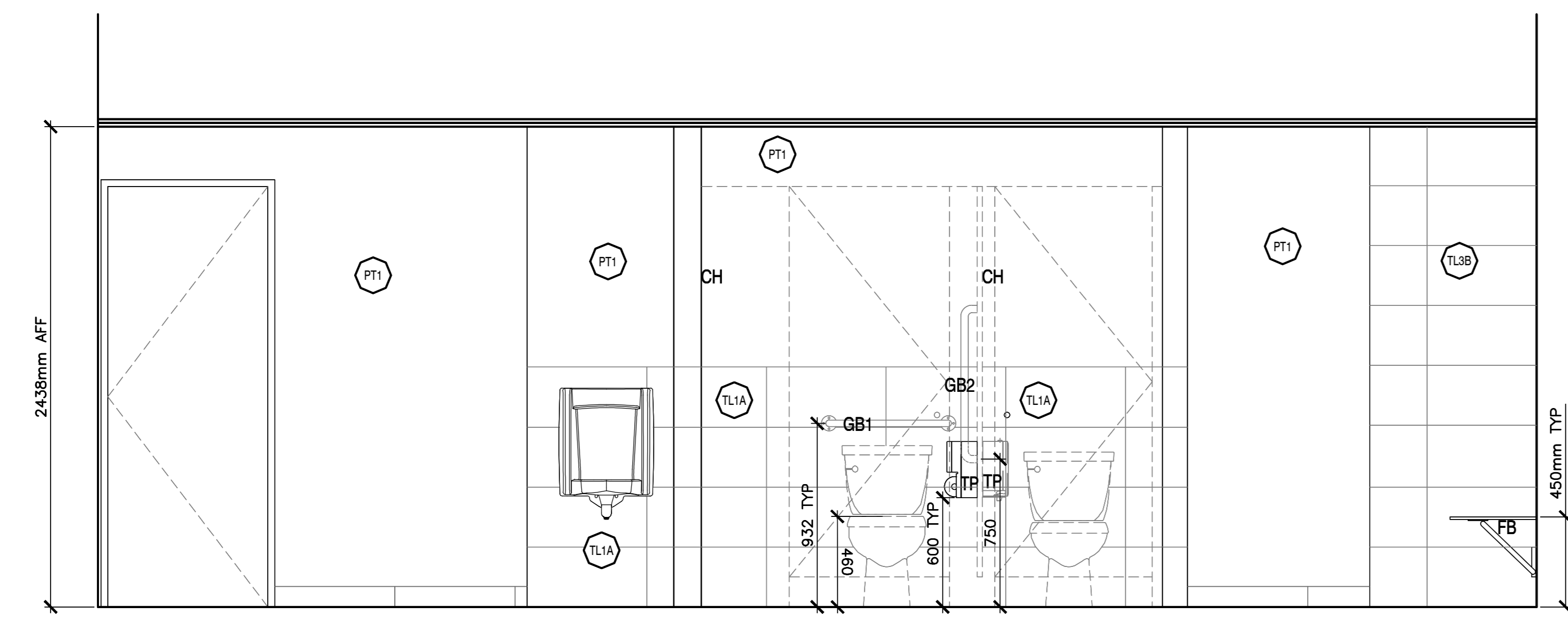
2 MALE WASHROOM - ELEVATION  
SCALE: 1:20



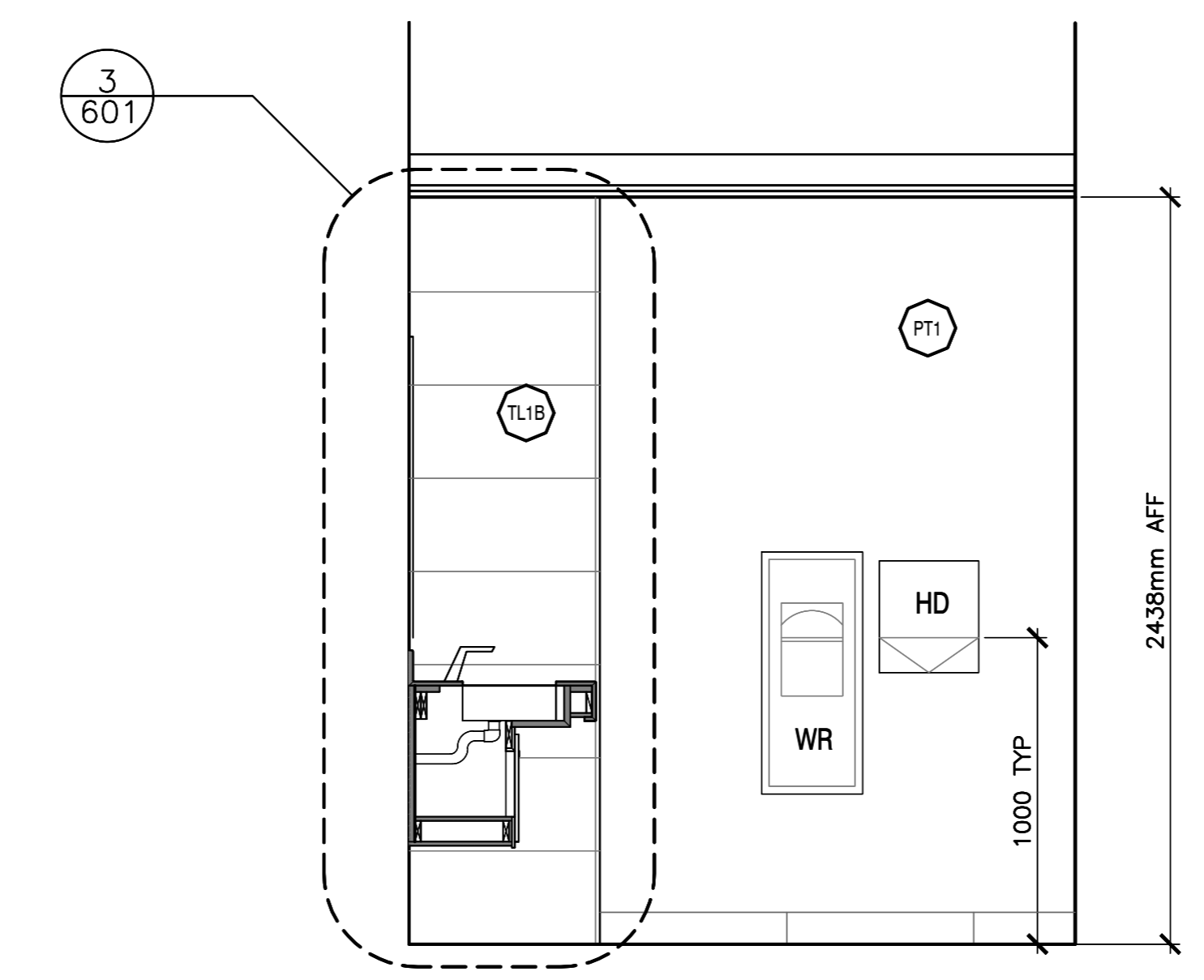
3 MALE WASHROOM - ELEVATION  
SCALE: 1:20



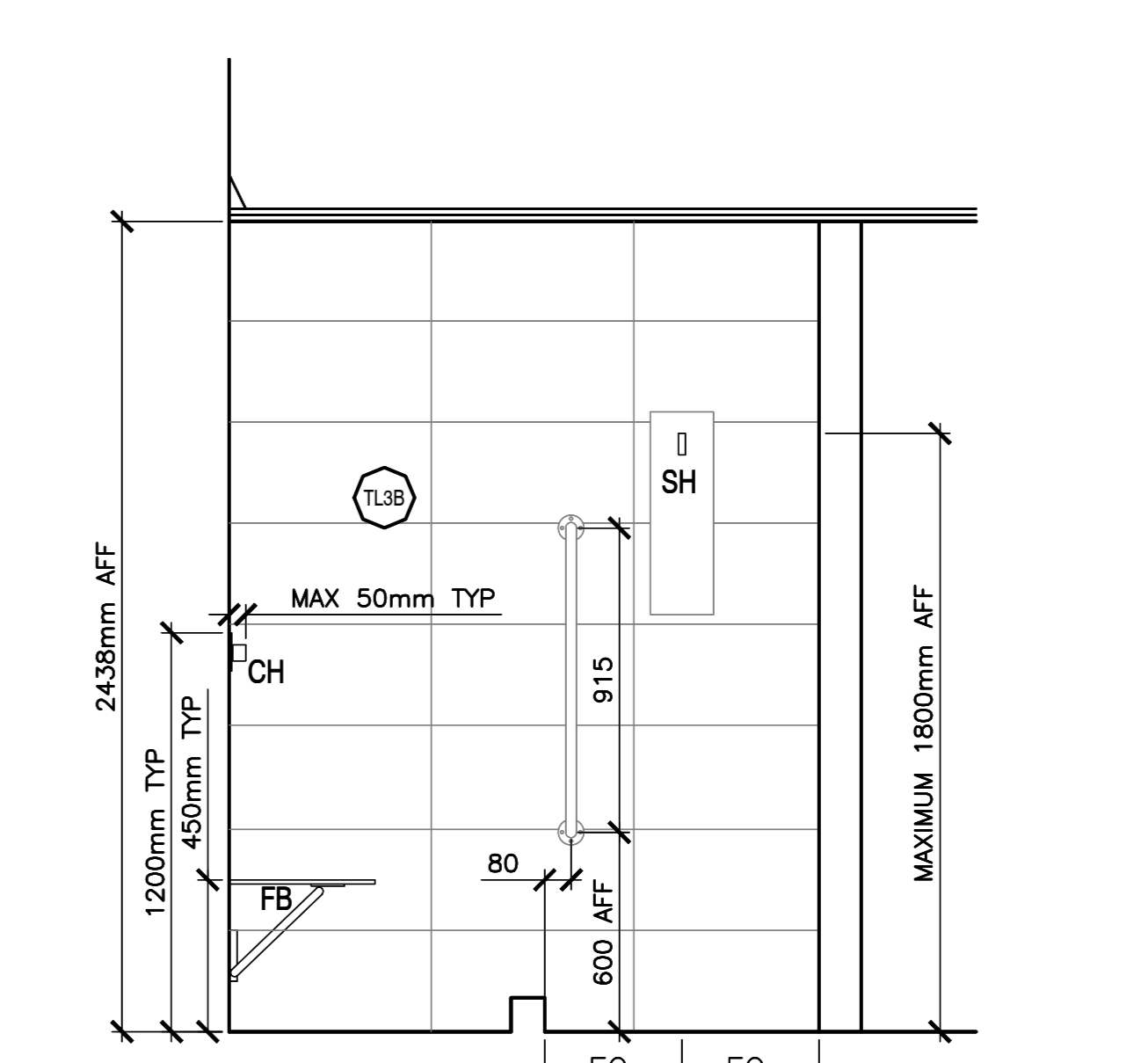
4 SHOWER STALL TYP.  
SCALE: 1:20



5 MALE WASHROOM - ELEVATION  
SCALE: 1:20



6 MALE WASHROOM - ELEVATION  
SCALE: 1:20



7 MALE WASHROOM - SHOWER ELEVATION  
SCALE: 1:20



**EKISTICS PLANNING & DESIGN**  
1 STARR LANE, DARTMOUTH  
PH: (902)461-2525 FAX: (902)465-3131

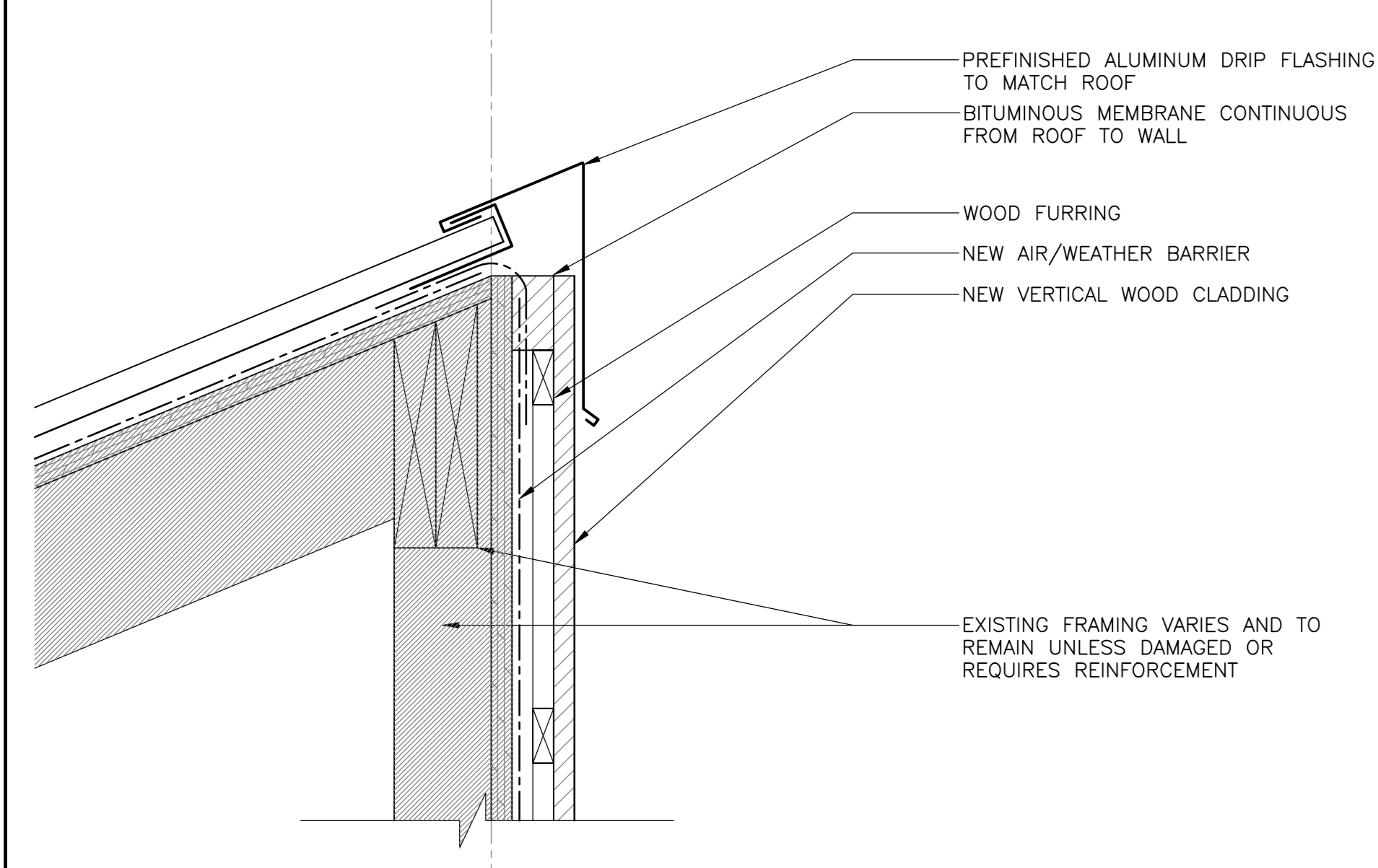


revisions	date
5	01/31
4	12/21
3	11/15
2	09/25
1	08/09

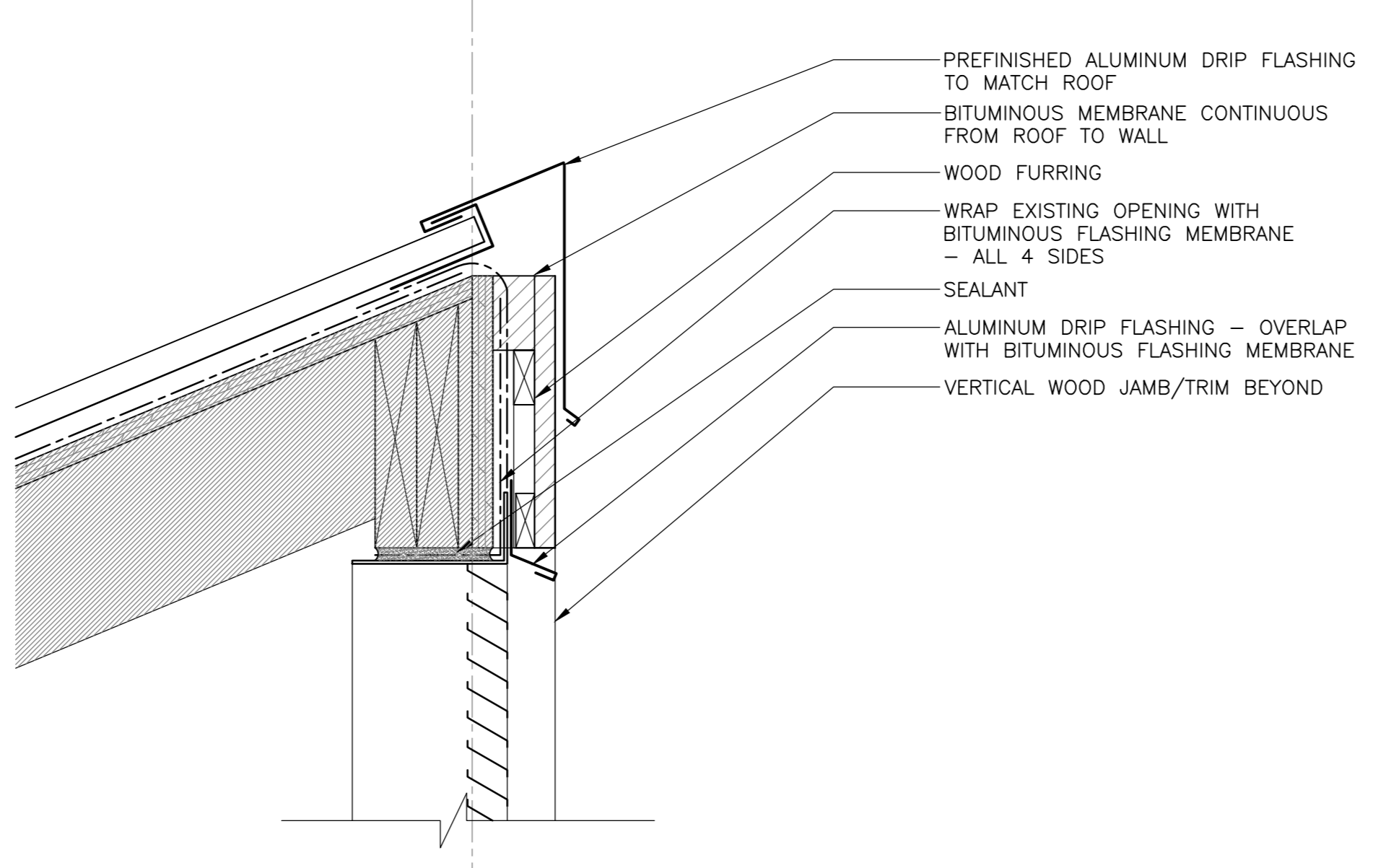
project FACILITY REHABILITATION  
KOUCHIBOUQUAC  
NATIONAL PARK  
KOUCHIBOUQUAC  
NEW BRUNSWICK

drawing no. SERVICE BUILDING 'B'  
MALE WASHROOM

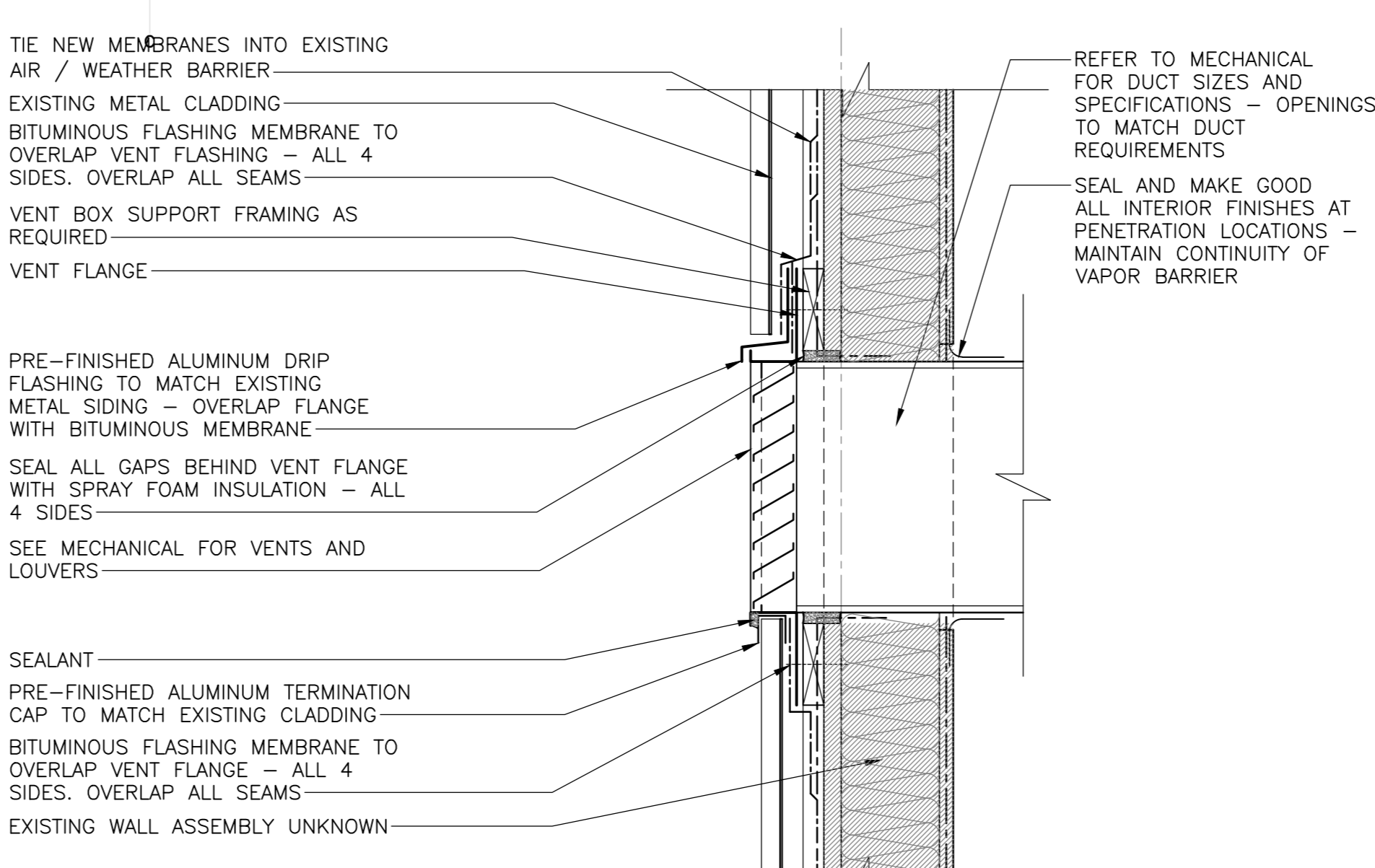
assigned conqur  
date  
drawn dessin  
date  
approved approuvé  
date  
Tender Soumission  
PWGSC Project Manager Administrateur de projets TPWGC  
project number no. du projet  
1848-954  
drawing no. no. du dessin  
A-203



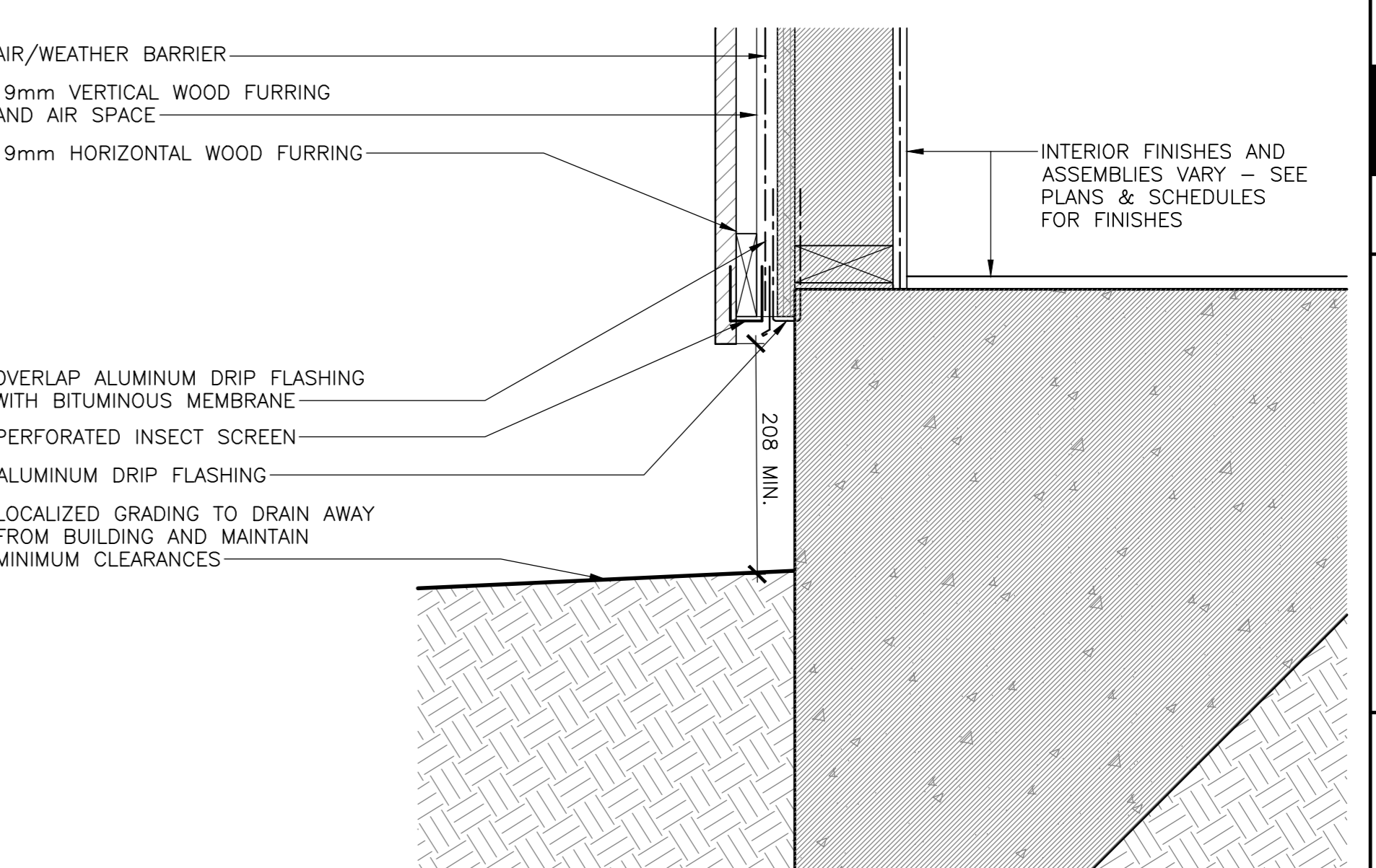
1 SECTION DETAIL - PEAK CONDITION  
SCALE: 1:5  
0mm 100mm 200mm 300mm 400mm 500mm



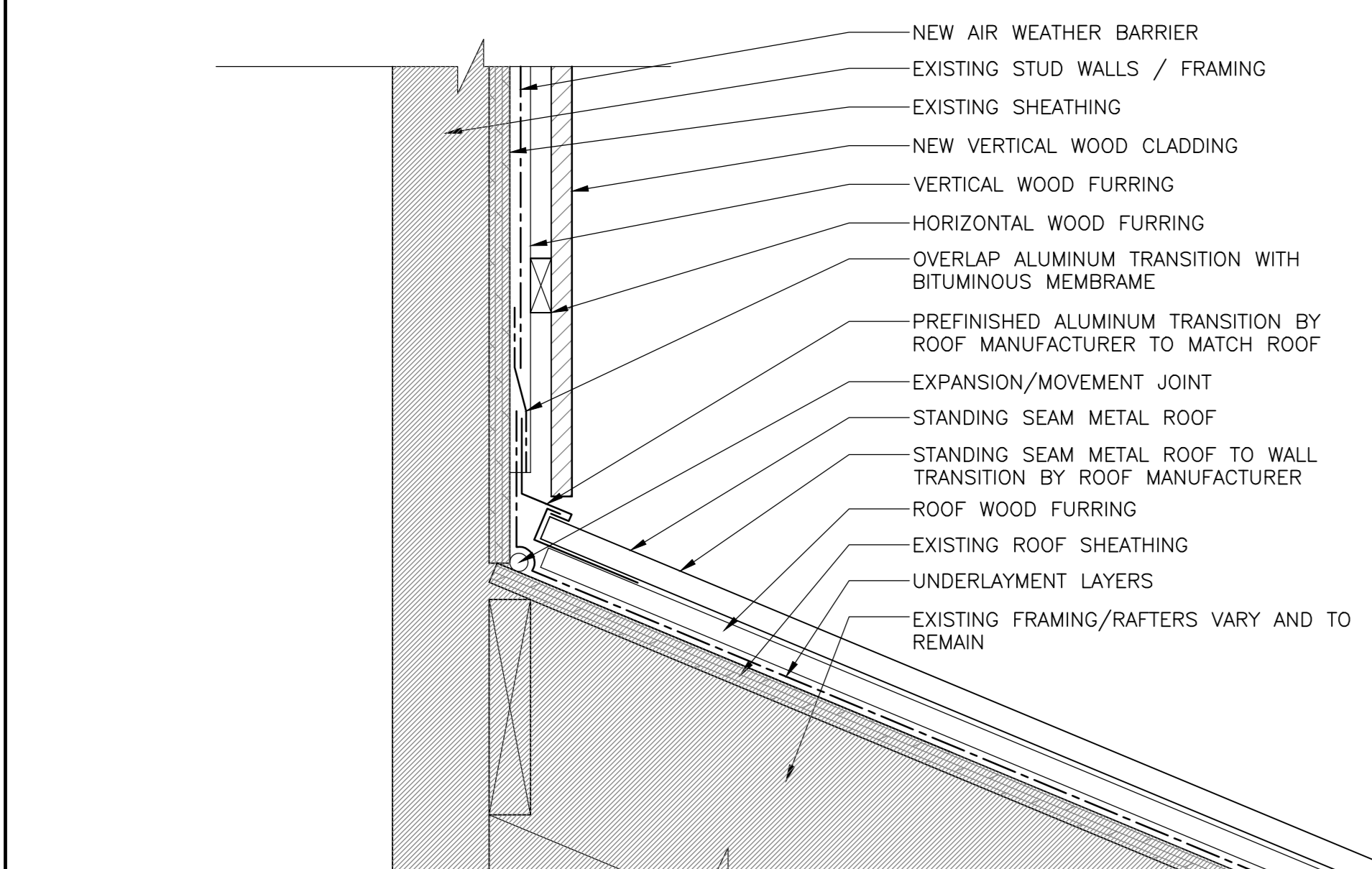
5 SECTION DETAIL - TOP OF VENT  
SCALE: 1:5  
0mm 100mm 200mm 300mm 400mm 500mm



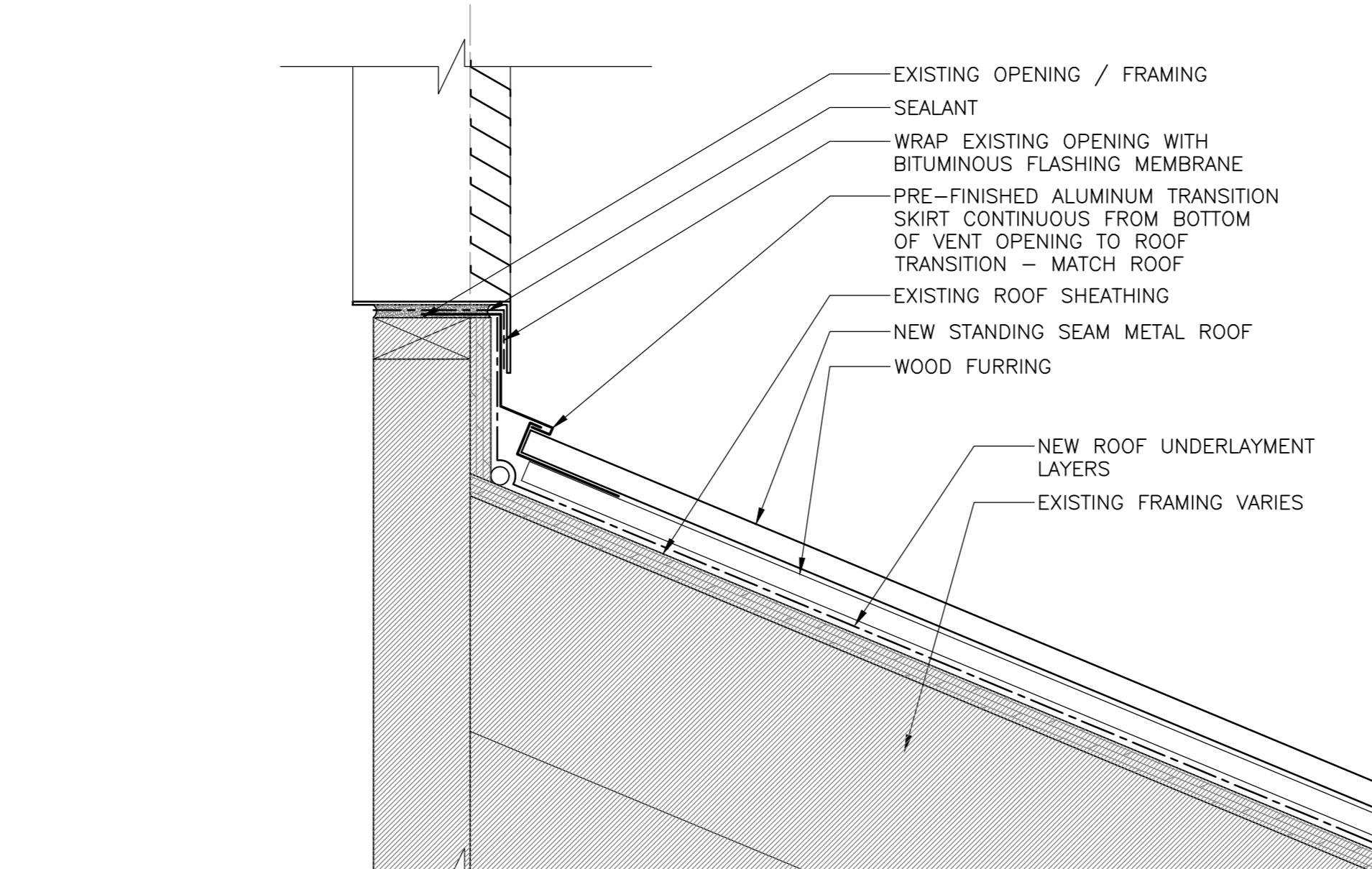
9 SECTION DETAIL - VENT ADMIN BLD.  
SCALE: 1:5  
0mm 100mm 200mm 300mm 400mm 500mm



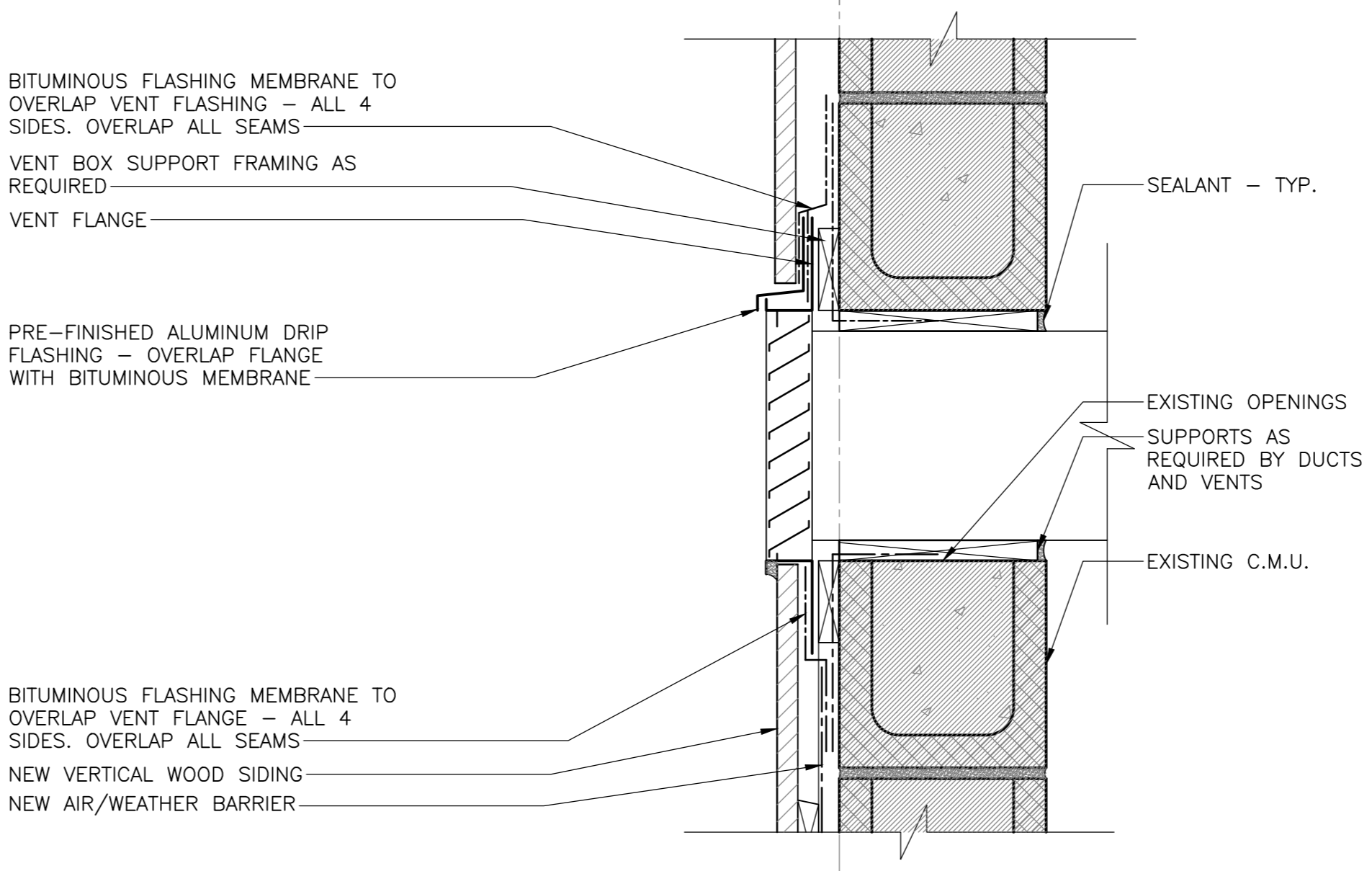
13 SECTION DETAIL - WALL BASE K1,K2  
SCALE: 1:5  
0mm 100mm 200mm 300mm 400mm 500mm



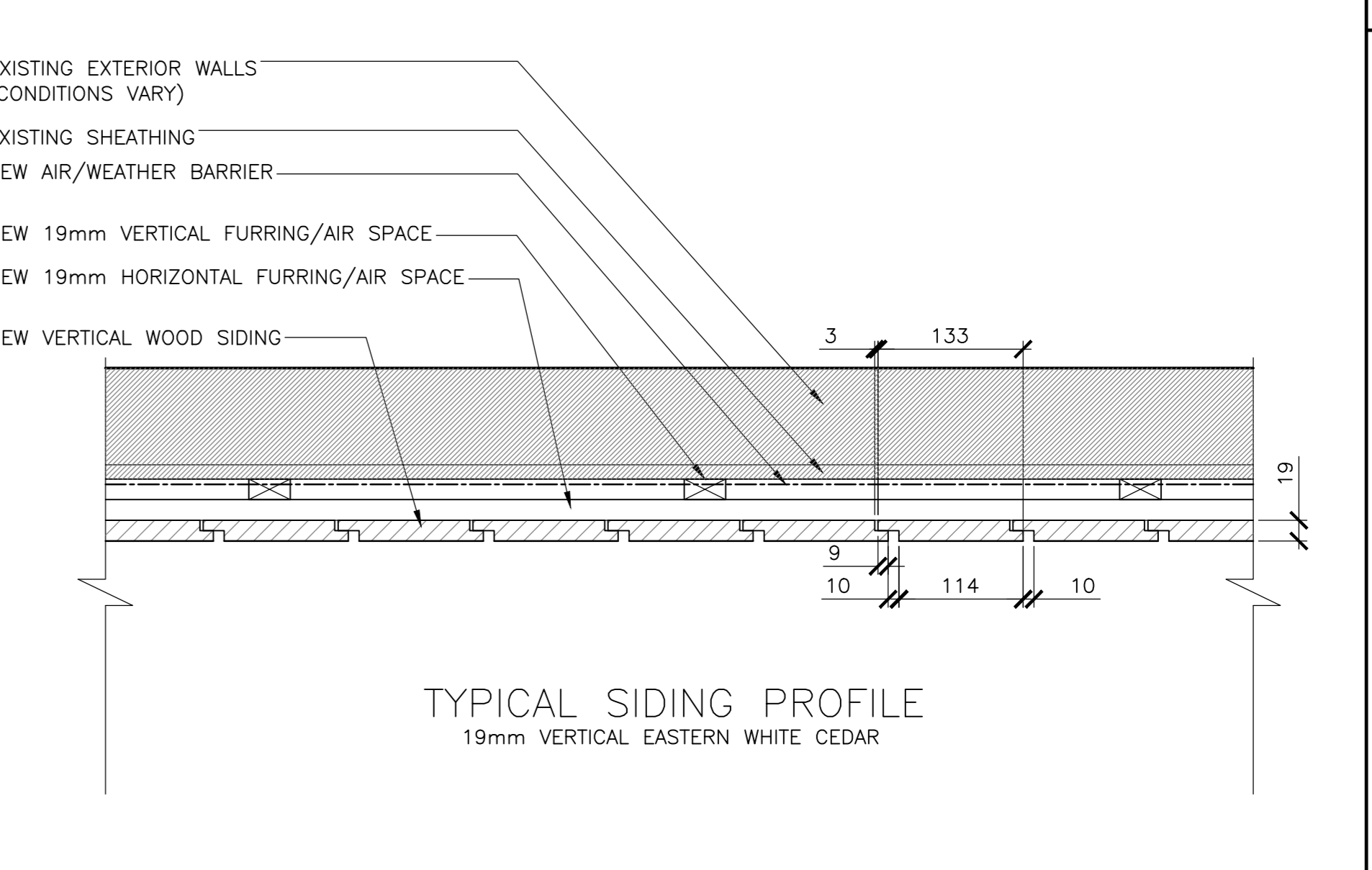
2 SECTION DETAIL - TYP. TRANSITION  
SCALE: 1:5  
0mm 100mm 200mm 300mm 400mm 500mm



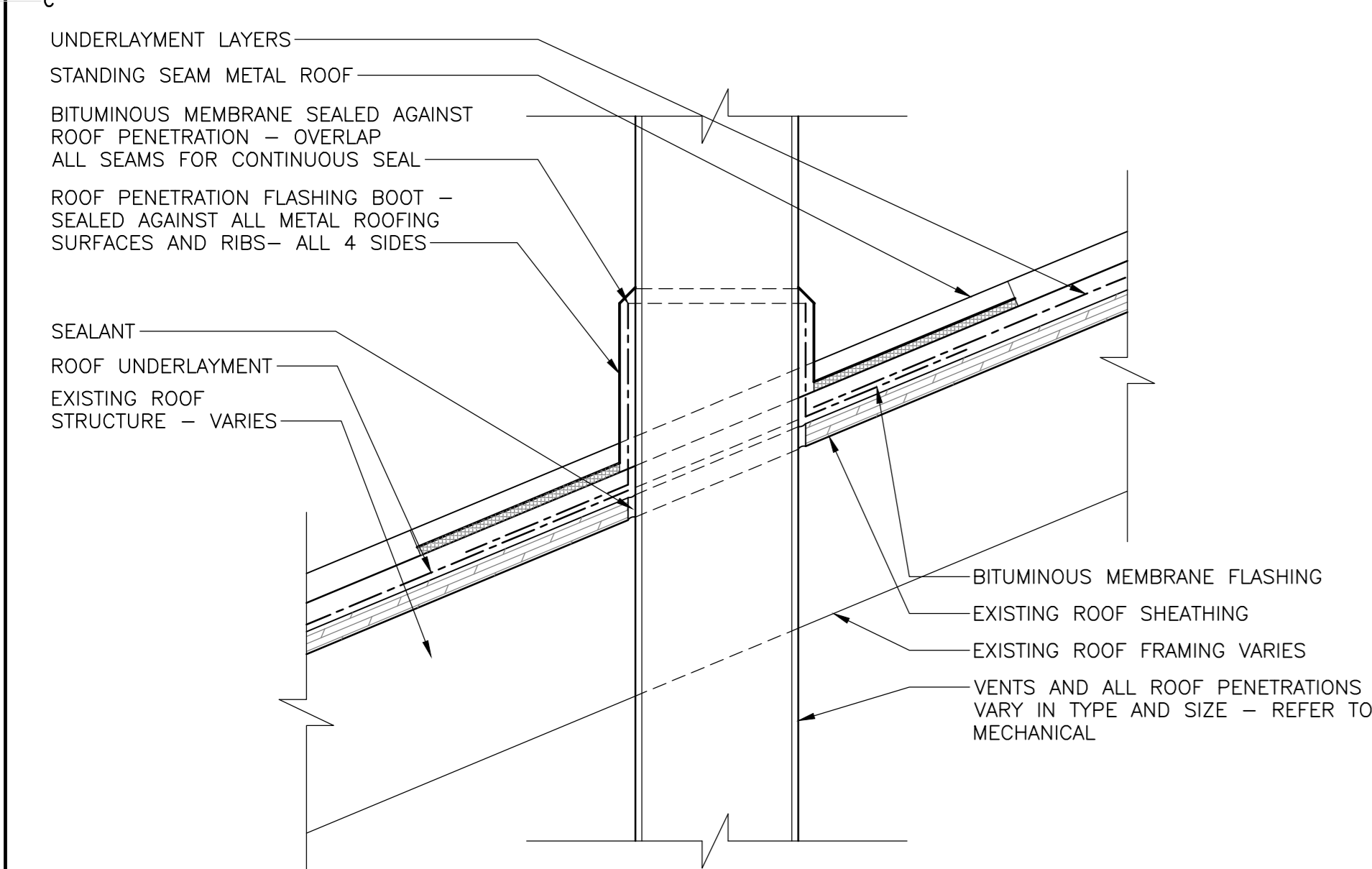
6 SECTION DETAIL - BOTTOM OF VENT  
SCALE: 1:5  
0mm 100mm 200mm 300mm 400mm 500mm



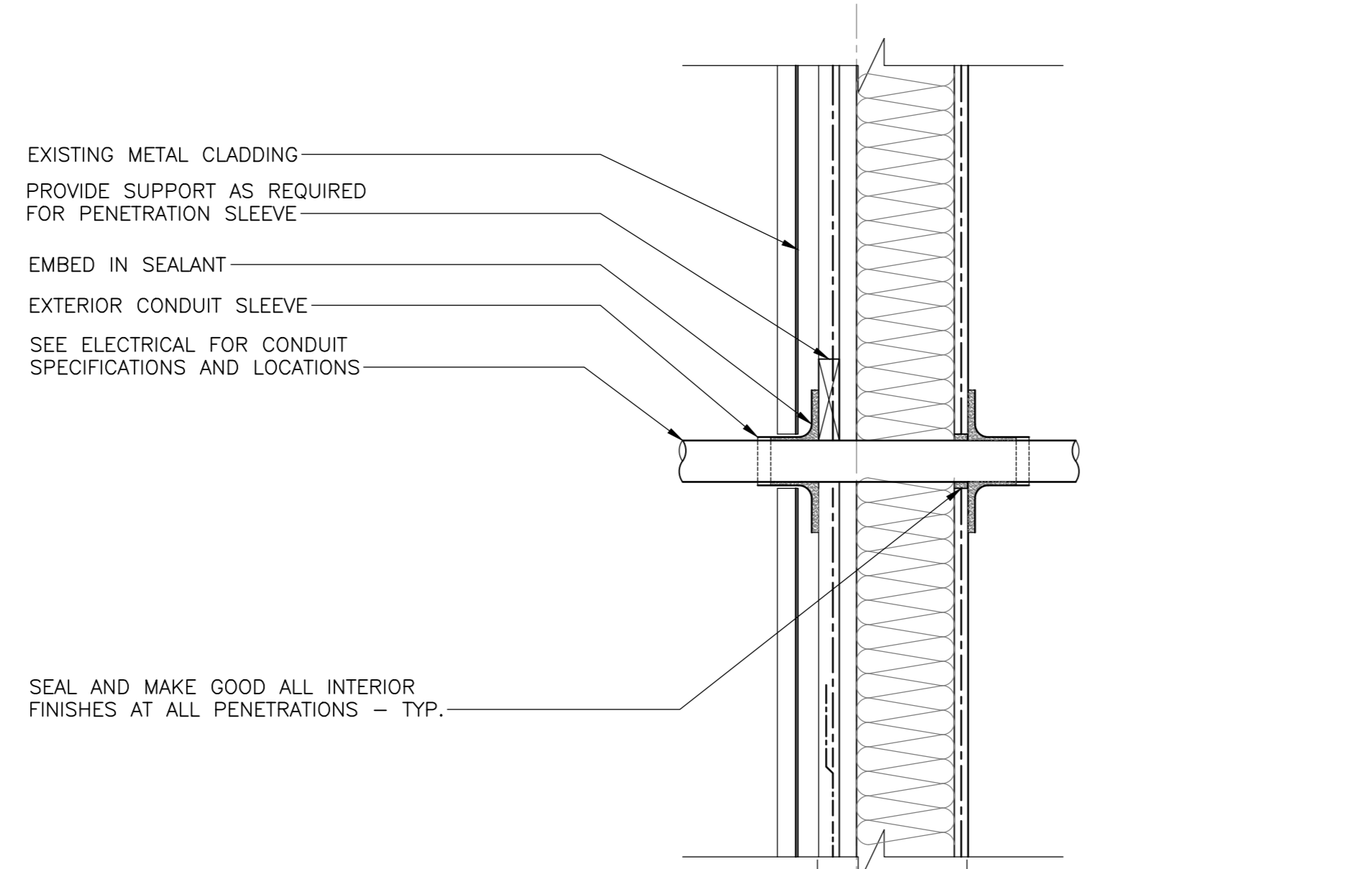
10 SECTION DETAIL - VENT KELLY'S BLD.  
SCALE: 1:5  
0mm 100mm 200mm 300mm 400mm 500mm



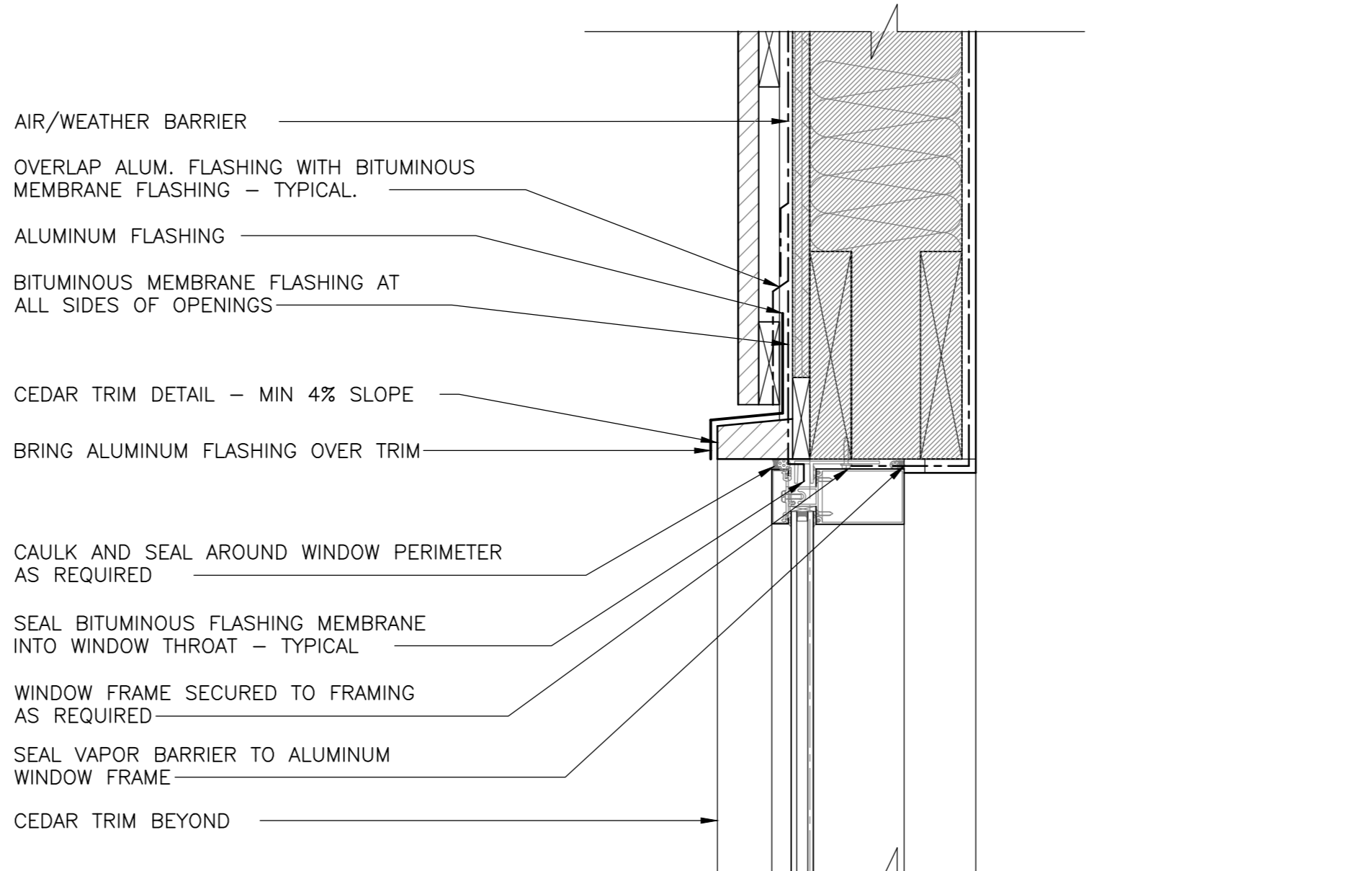
14 PLAN DETAIL - VERTICAL SIDING, TYP.  
SCALE: 1:5  
0mm 100mm 200mm 300mm 400mm 500mm



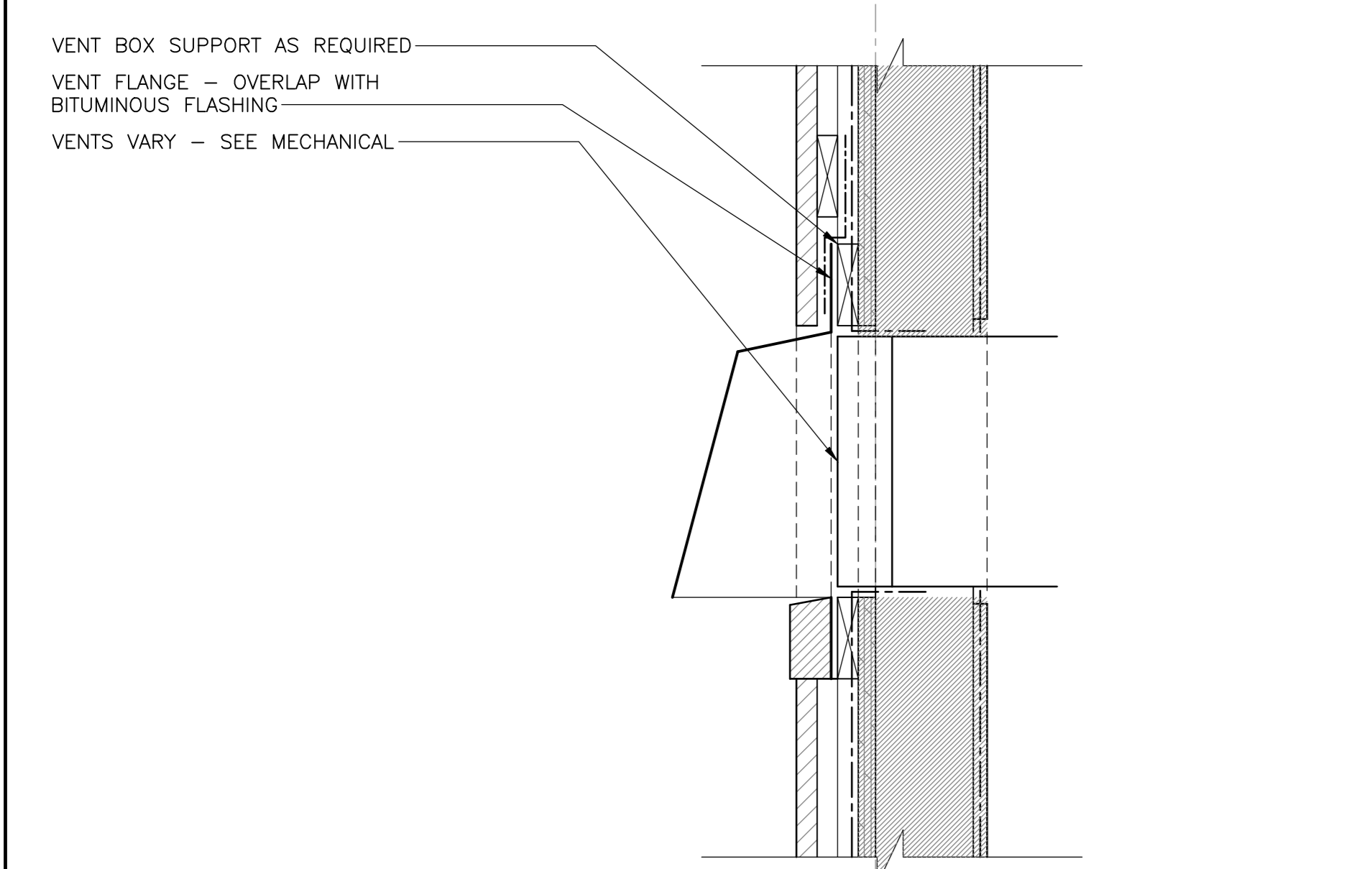
3 SECTION DETAIL - METAL ROOF PENETRATION  
SCALE: 1:5  
0mm 100mm 200mm 300mm 400mm 500mm



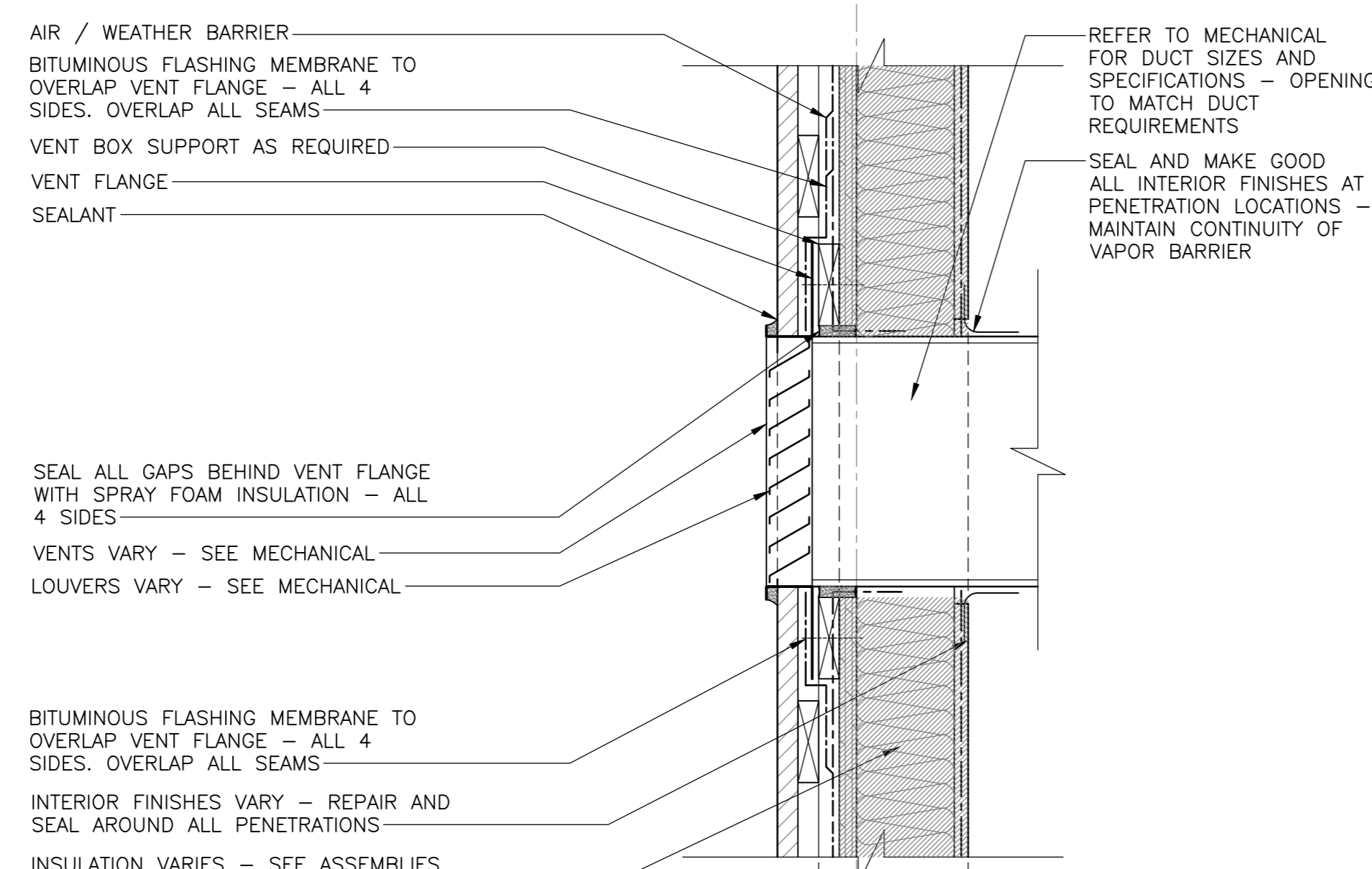
7 SECTION DETAIL - CONDUIT EXT WALL ADMIN BLD.  
SCALE: 1:5  
0mm 100mm 200mm 300mm 400mm 500mm



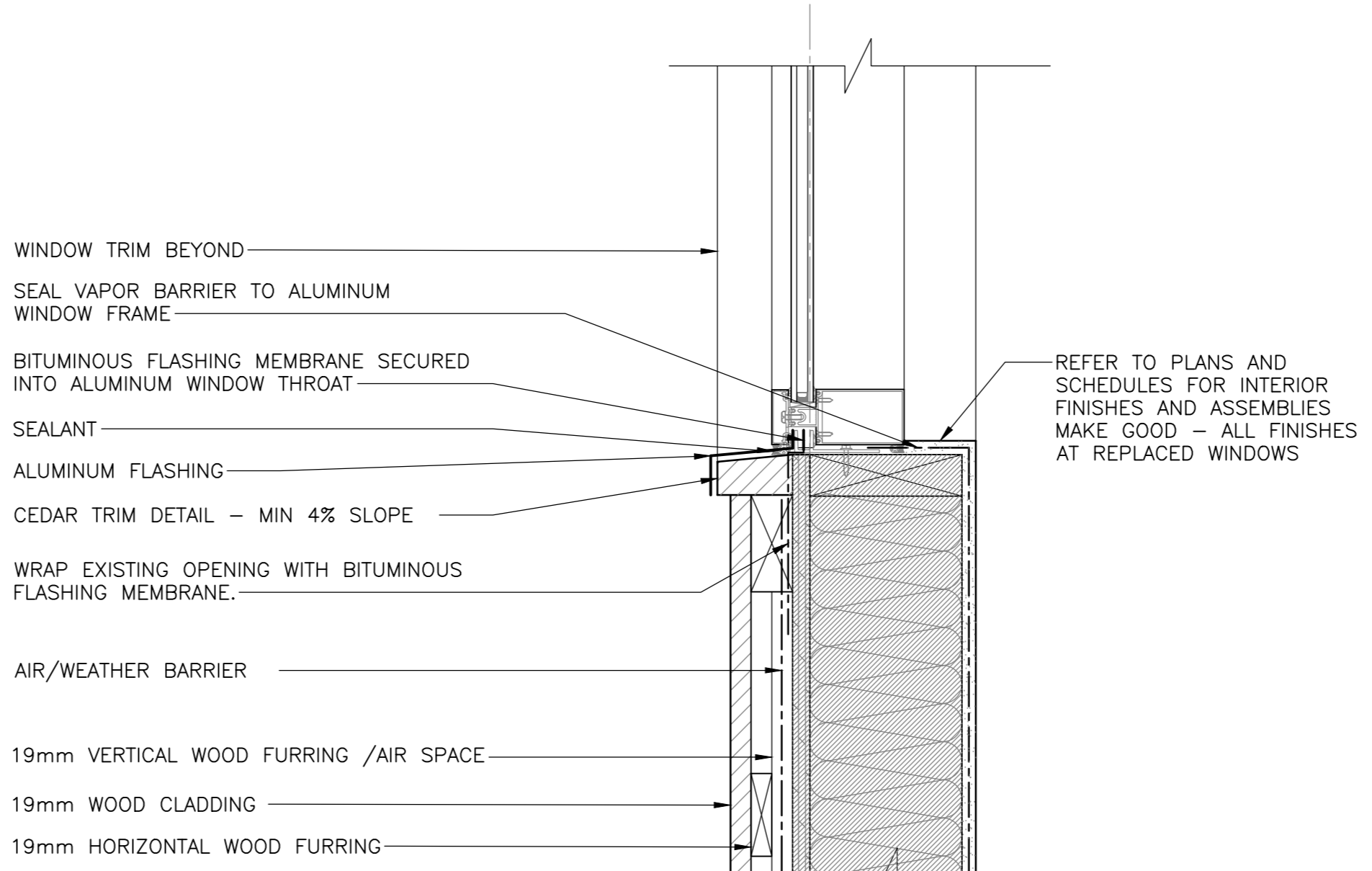
11 SECTION DETAIL - TYP. HEADER K1,K2  
SCALE: 1:5  
0mm 100mm 200mm 300mm 400mm 500mm



4 SECTION DETAIL - VENT HOOD  
SCALE: 1:5  
0mm 100mm 200mm 300mm 400mm 500mm



8 SECTION DETAIL - VENT WOOD BLD.  
SCALE: 1:5  
0mm 100mm 200mm 300mm 400mm 500mm



12 SECTION DETAIL - TYP. SILL K1,K2  
SCALE: 1:5  
0mm 100mm 200mm 300mm 400mm 500mm

Canada  
EKISTICS PLANNING & DESIGN  
1 STARR LANE, DARTMOUTH  
PH: (902)461-2525 FAX: (902)465-3131

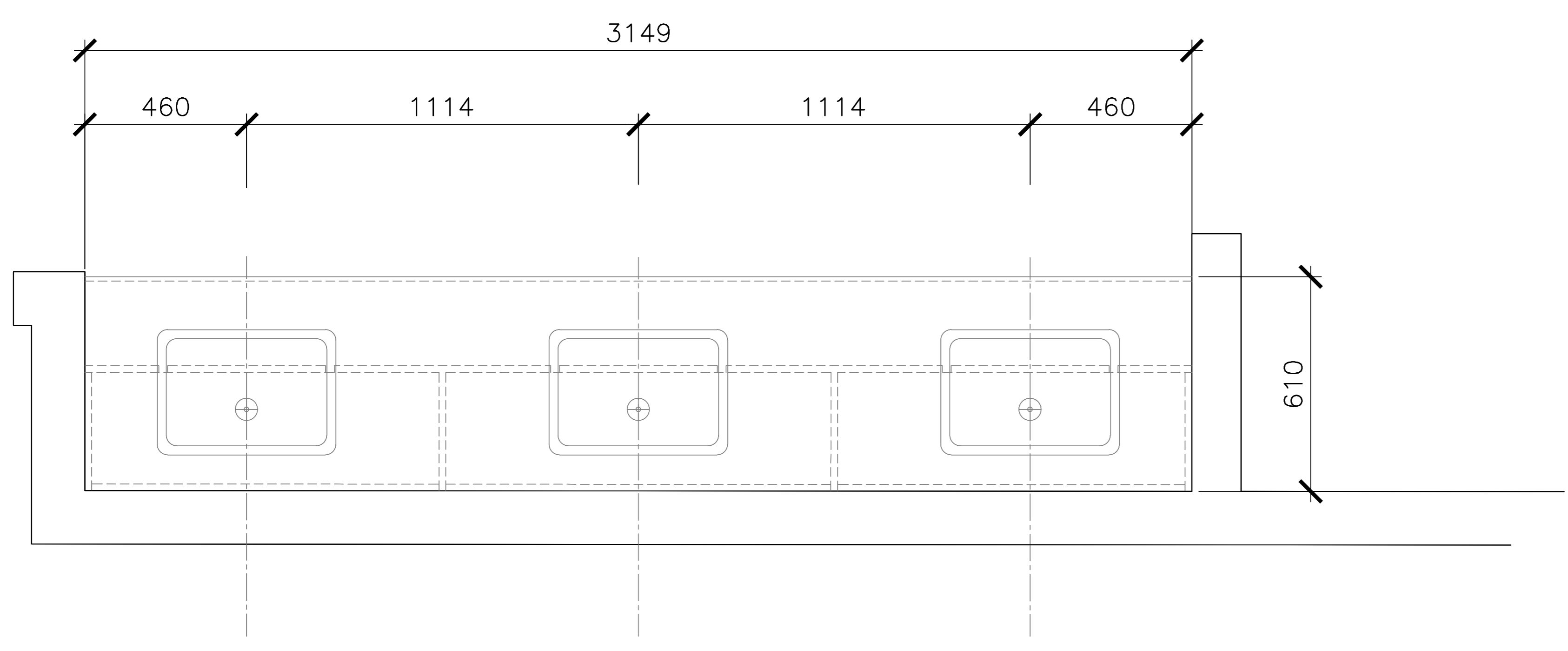


5	ISSUED FOR TENDER	01/31
4	ISSUED FOR BS8	12/21
3	ISSUED FOR BS4	11/15
2	ISSUED FOR BS3	09/25
1	ISSUED FOR BS2	08/09

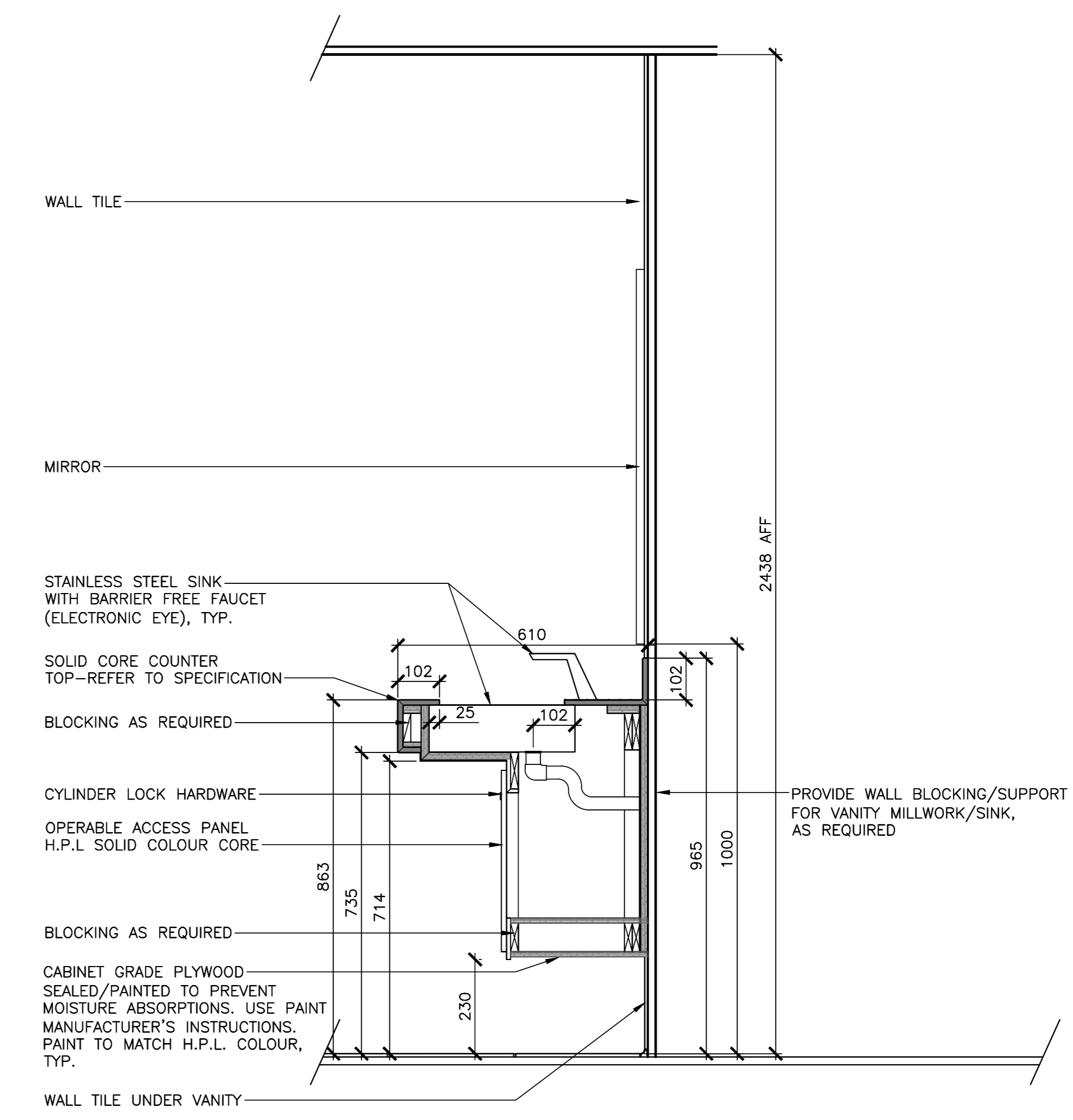
project  
FACILITY REHABILITATION  
KOUCHIBOUGUAC  
NATIONAL PARK  
KOUCHIBOUGUAC  
NEW BRUNSWICK

MISCELLANEOUS DETAILS

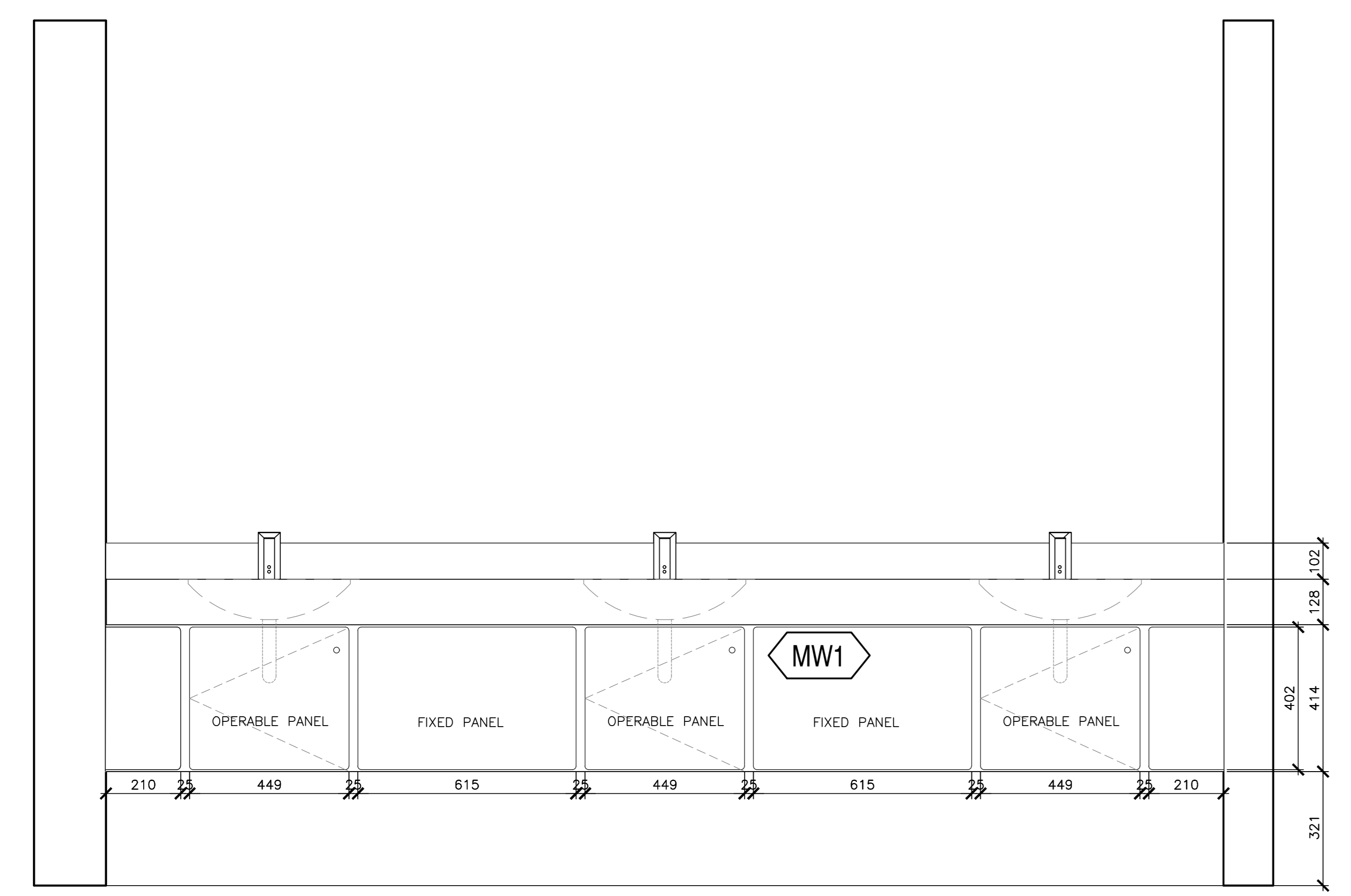
designed	Ekistics Planning & Design	concep
drawn		dessiné
approved		approuvé
Tender		Submission
Project Manager	Administrateur de projets TPSC	
drawing no.		no. du dessin



**1**  
 601 MW1 - PLAN  
 SCALE : 1:10  
 0mm 100 200 300 400 500 600 700 800 900 1000mm



**3**  
 601 MW1 - SECTION  
 SCALE : 1:10  
 0mm 100 200 300 400 500 600 700 800 900 1000mm



**2**  
 601 MW1 FRONT ELEVATIONS  
 SCALE : 1:10  
 0mm 100 200 300 400 500 600 700 800 900 1000mm

**MILLWORK GENERAL NOTES**

1. ALL DIMENSIONS ARE TO BE VERIFIED ON SITE.
2. PROVIDE BLOCKING AS NEEDED
3. REFER TO ARCHITECTURAL SPECIFICATIONS FOR DETAILS
4. ALL EXPOSED PLYWOOD AT U/S OF VANITY TO BE SEALED AND PAINTED. COLOUR TBD.
5. ALL FASTENERS TO BE STAINLESS STEEL.

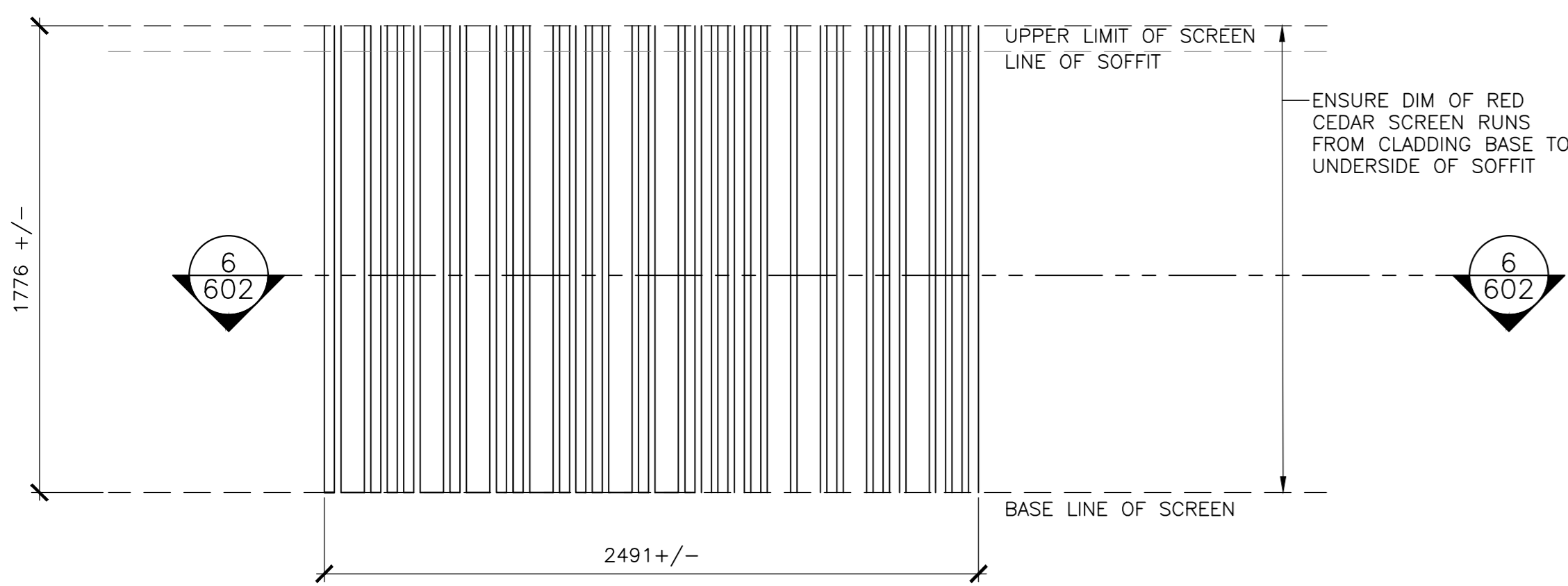
revisions	date
5	ISSUED FOR TENDER 01/31
4	ISSUED FOR BS8 12/21
3	ISSUED FOR BS4 11/15
2	ISSUED FOR BS3 09/25
1	ISSUED FOR BS2 08/09

project  
 FACILITY REHABILITATION  
 KOUCHIBOUQUAC  
 NATIONAL PARK  
 KOUCHIBOUQUAC  
 NEW BRUNSWICK

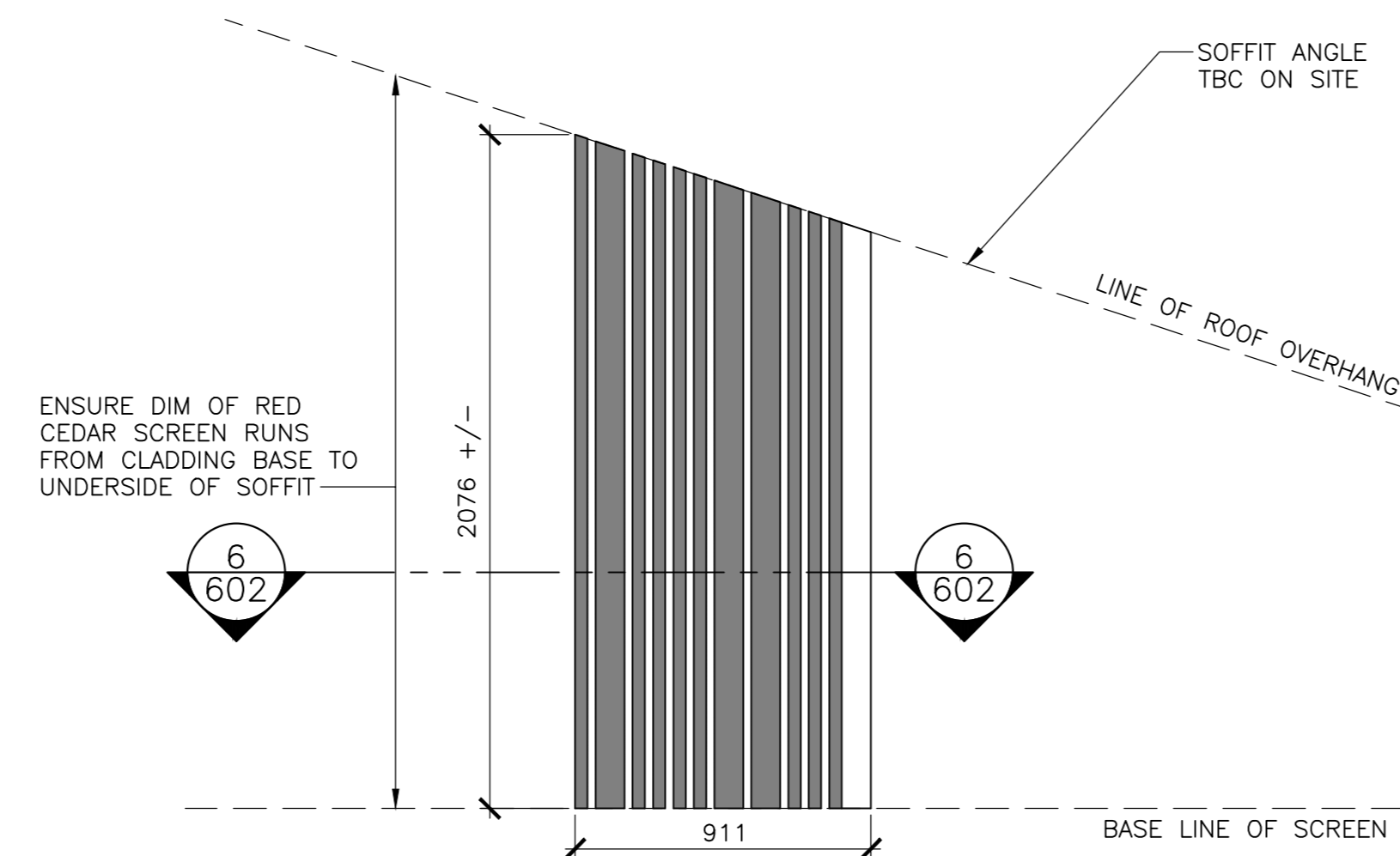
drawing  
 SERVICE BUILDING 'B'  
 WASHROOM MILLWORK

assigned	concep
date	
drawn	dessin
date	
approved	approuv
date	
Tender	Submission
PWSC Project Manager	Administrateur de projets TPSC
project number	no. du projet
1848-954	
drawing no.	no. du dessin
A-601	

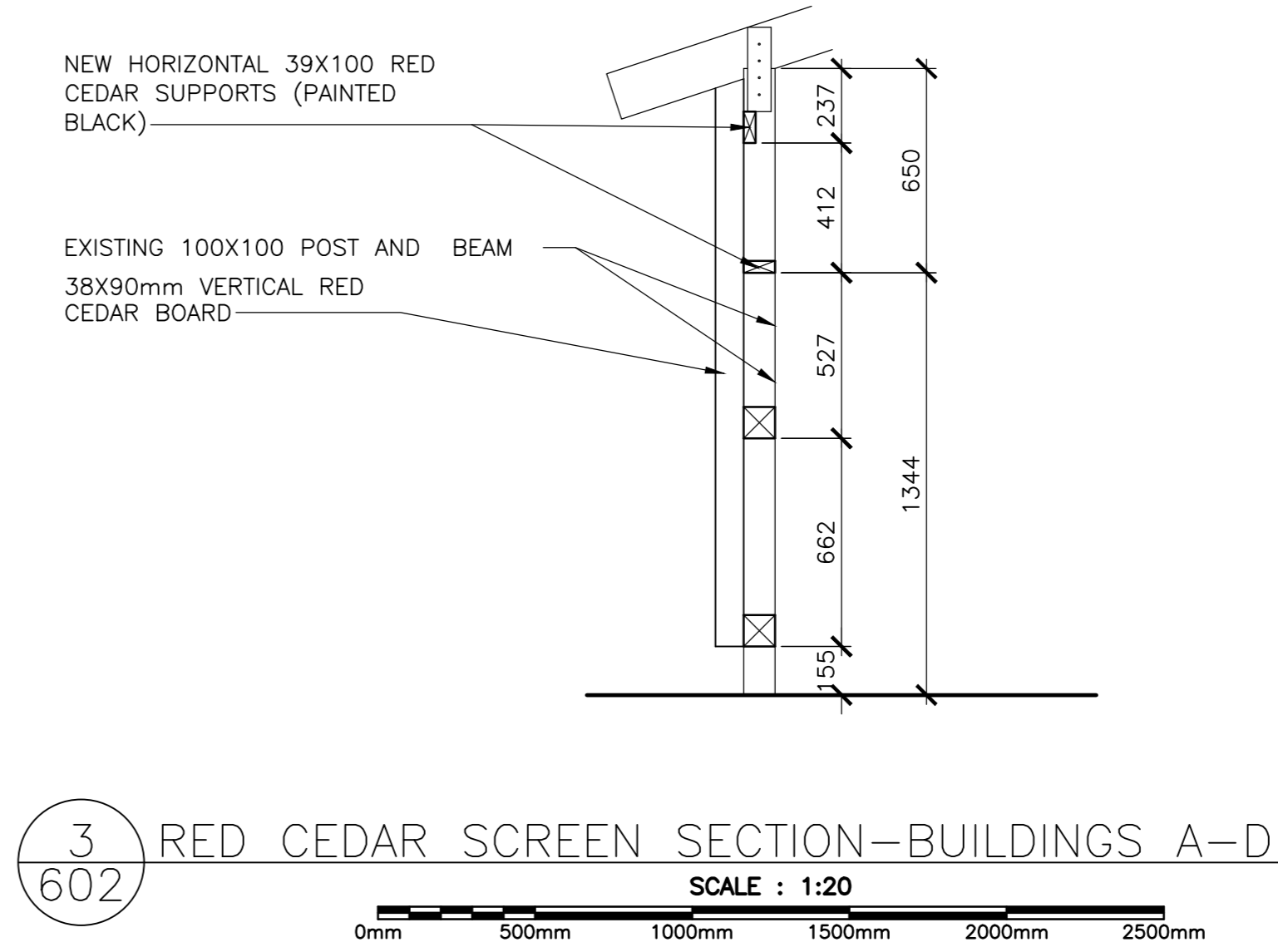




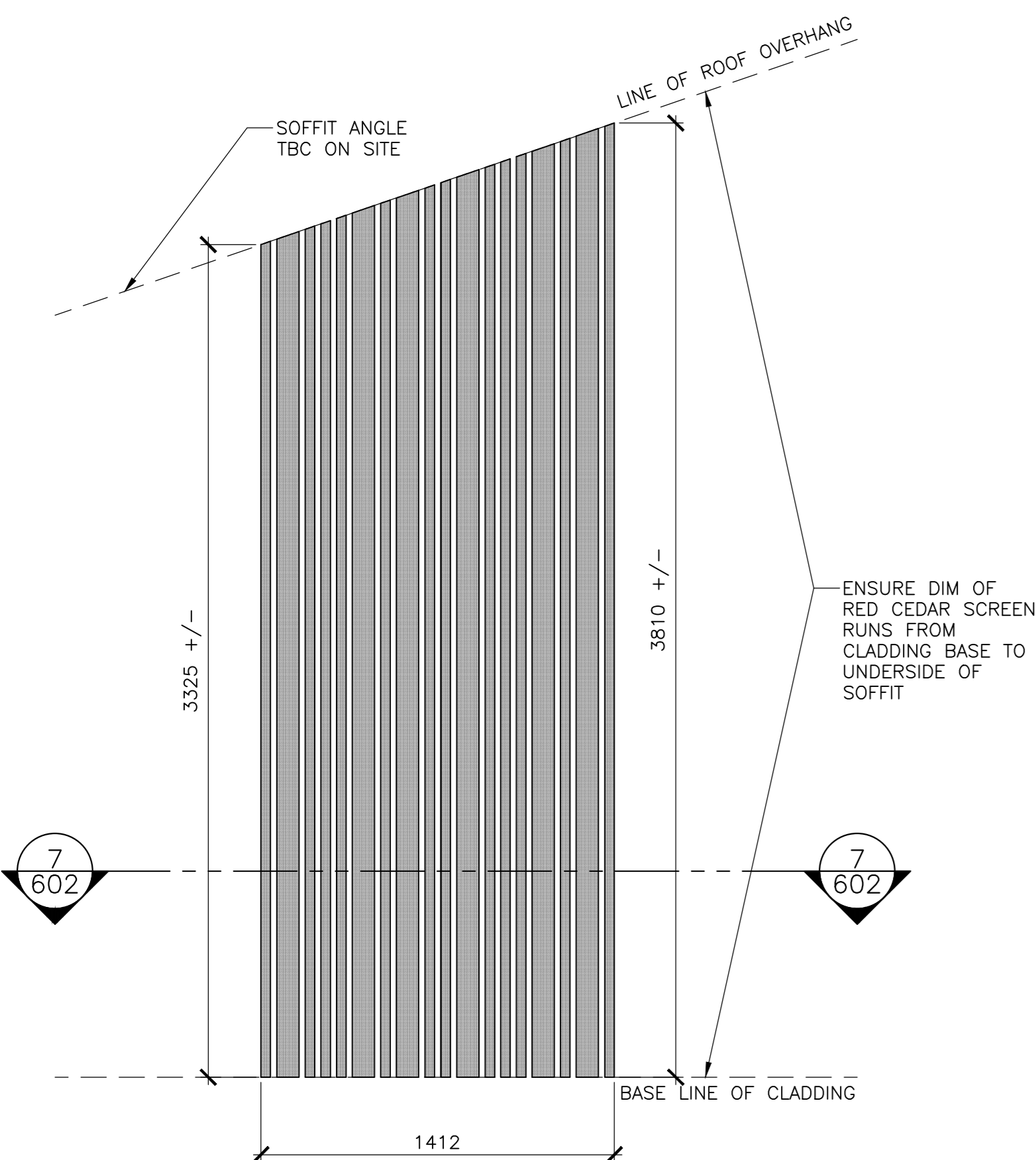
1 RED CEDAR SCREEN ELEVATION-BUILDINGS A-D  
SCALE : 1:20



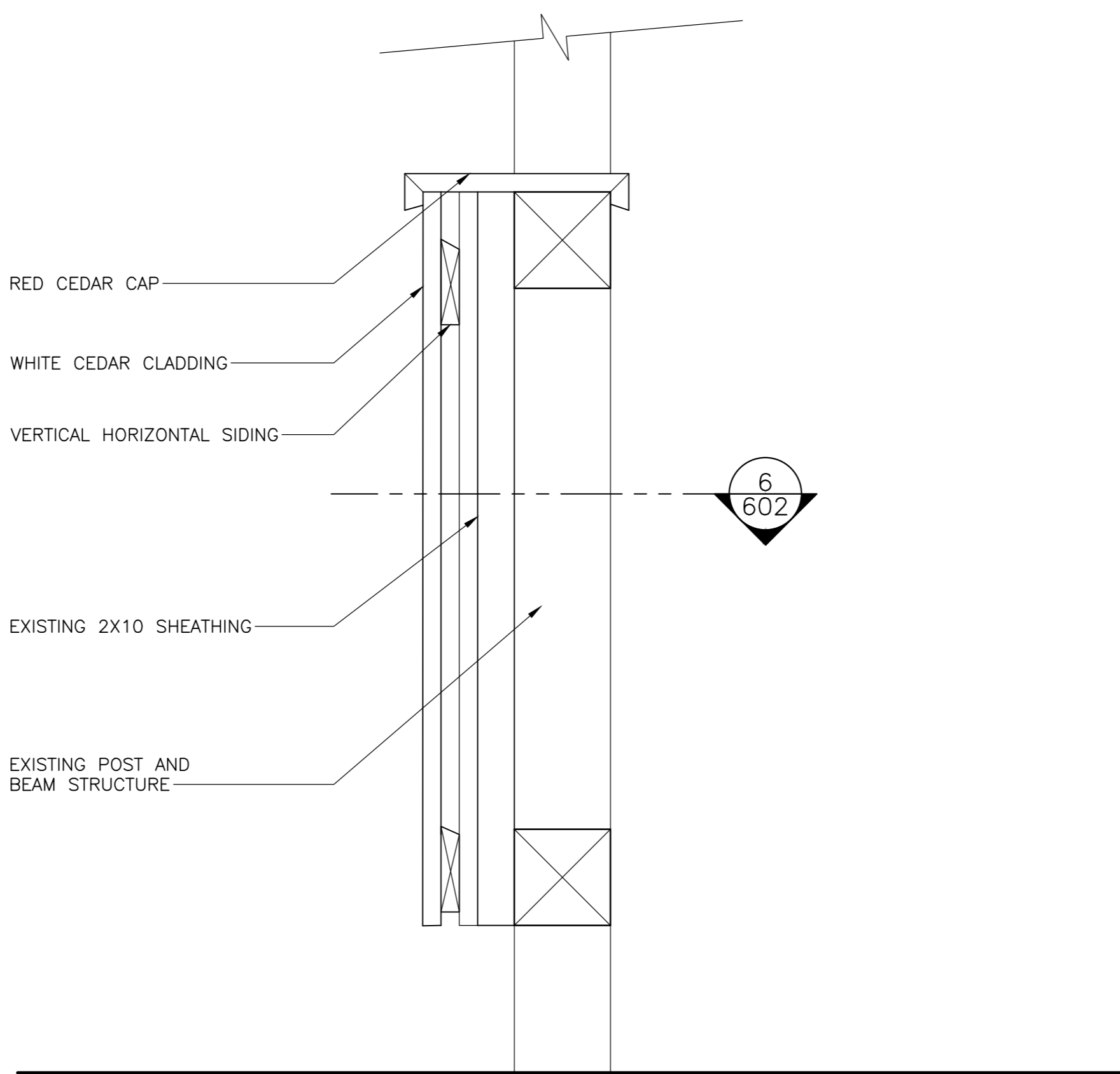
2 RED CEDAR SCREEN ELEVATION-BUILDINGS A-D  
SCALE : 1:20



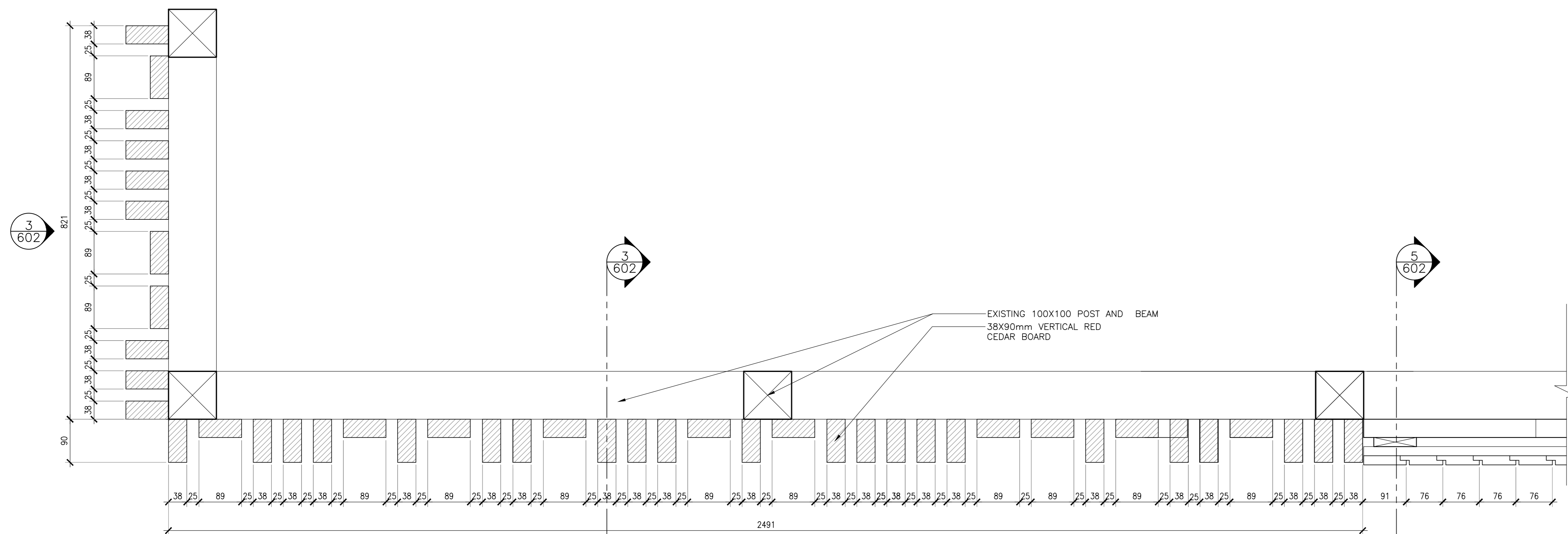
3 RED CEDAR SCREEN SECTION-BUILDINGS A-D  
SCALE : 1:20



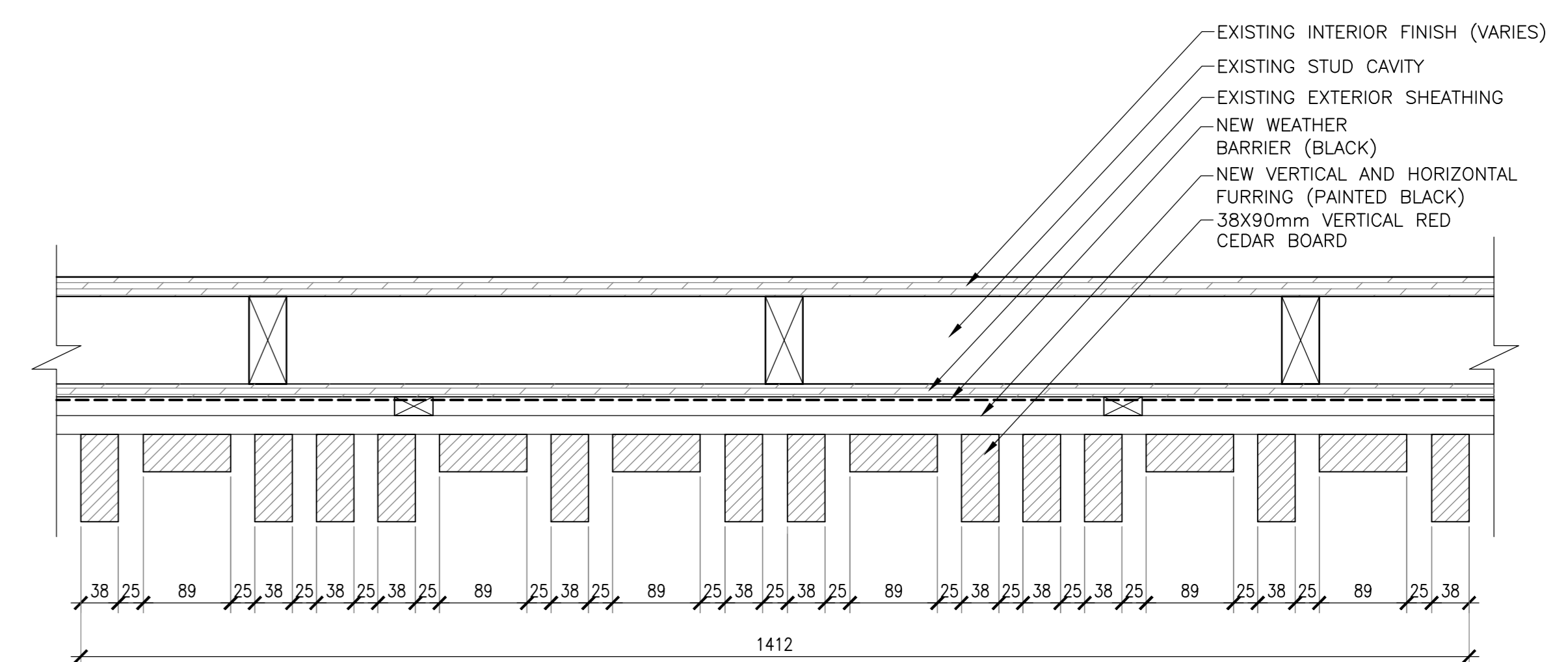
4 RED CEDAR SCREEN ELEVATION-BUILDINGS A-D  
SCALE : 1:20



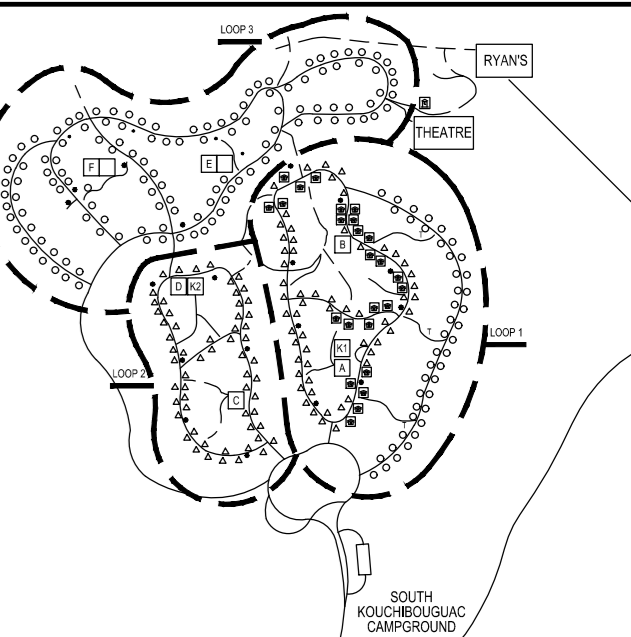
5 PORCH RAILING DETAIL  
SCALE : 1:5



6 RED CEDAR WASHING AREA SCREEN CLADDING DETAIL  
SCALE : 1:5



7 RED CEDAR SCREEN CLADDING DETAIL  
SCALE : 1:5



revisors	date
5	01/31
4	12/21
3	11/15
2	09/25
1	08/09

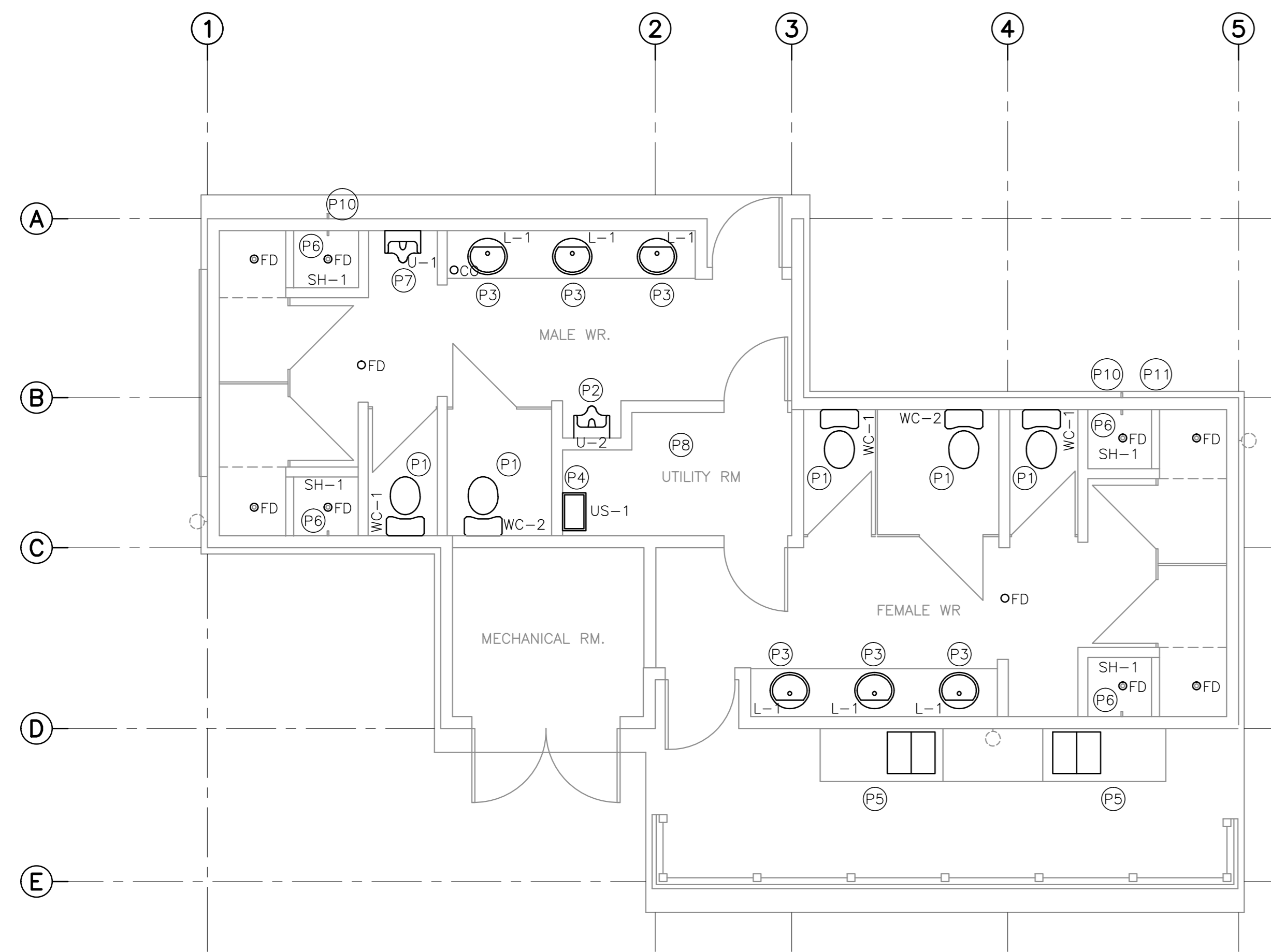
FACILITY REHABILITATION  
KOUCHIBOUGUAC  
NATIONAL PARK  
KOUCHIBOUGUAC  
NEW BRUNSWICK

**SERVICE BUILDINGS**  
A,B,C,D  
SCREEN  
DETAILS

designed Ekistics Planning & Design  
drawn  
date  
approved  
date  
Tender  
Project Manager  
project number  
drawing no.  
no. du dessin

1848-954

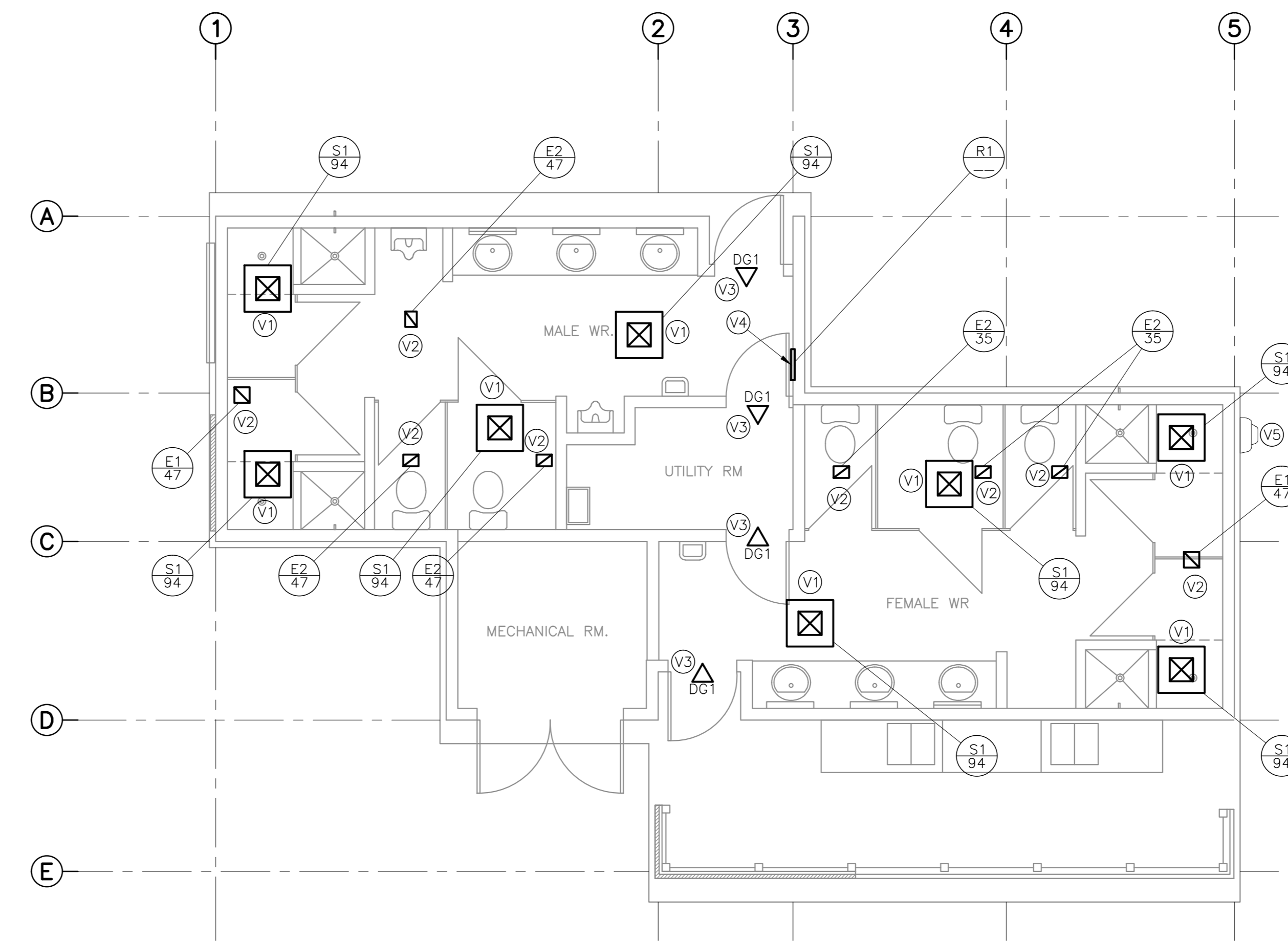
A-602



SERVICE BUILDING 'B' - DOMESTIC SERVICES

SCALE : 1:50  
0m 1m 2m 3m 4m 5m

- P1 REMOVE EXISTING WATER CLOSET AND REPLACE WITH NEW WATER CLOSET C/W SEAL, BRAIDED FLEXIBLE RISER AND SEAL.
- P2 REMOVE EXISTING FLOOR MOUNT URINAL AND REPLACE WITH NEW WALL MOUNT URINAL C/W FLUSH VALVE AND P-TRAP AND HANGER. EXTEND SANITARY PIPING FROM FLOOR LEVEL BY WALL TO NEW URINAL.
- P3 REMOVE EXISTING LAVATORY AND REPLACE WITH NEW LAVATORY C/W FAUCET, WASTE, P-TRAP, BRAIDED FLEXIBLE RISERS AND STOPS.
- P4 EXISTING FREESTANDING UTILITY SINK TO REMAIN.
- P5 REMOVE EXISTING FREE STANDING SCULLERY SINK AND EXPOSED SANITARY PIPING ON EXTERIOR WALL. RE-INSTATE EXISTING SCULLERY SINK AND FAUCET. PROVIDE NEW SANITARY PIPING AND P-TRAP, BRAIDED FLEXIBLE RISERS AND STOPS.
- P6 REMOVE EXISTING SHOWER TRIM AND REPLACE WITH NEW.
- P7 REMOVE EXISTING WALL MOUNT URINAL AND REPLACE WITH NEW WALL MOUNT URINAL C/W FLUSH VALVE AND P-TRAP.
- P8 REMOVE EXISTING THERMOSTATIC MIXING VALVE AND REPLACE WITH NEW THERMOSTATIC MIXING VALVE IN UTILITY ROOM.
- P9 ALLOW FOR THE REPLACEMENT OF (2 - NPS 3) PLUMBING VENTS, NOT SHOWN THROUGH ROOF. CONFIRM SIZE OF PLUMBING VENT ON SITE. PROVIDE SUITABLE FLASHING FOR STANDING METAL SEAM ROOF OR ASPHALT SHINGLES. FINAL DECISION ON FLASHING TYPE TO BE DETERMINED ON SITE.
- P10 REMOVE EXISTING EXTERIOR WALL HYDRANT, CAP PIPING INSIDE BUILDING.
- P11 REMOVE EXISTING CAPPED PIPES EXTENDING THROUGH EXTERIOR WALL. CAP PIPING INSIDE BUILDING.
- P12 REPLACE FLOOR DRAIN (FD) GRATES IN WASHROOMS. GRATE TO BE OF SAME MANUFACTURER AS EXISTING. CONFIRM QUANTITIES ON SITE.
- P13 REPLACE CLEAN-OUT (CO) PLUGS AND O-RINGS IN WASHROOMS. PLUG AND O-RING TO BE OF SAME MANUFACTURER AS EXISTING. CONFIRM QUANTITIES ON SITE.



SERVICE BUILDING 'B' - VENTILATION

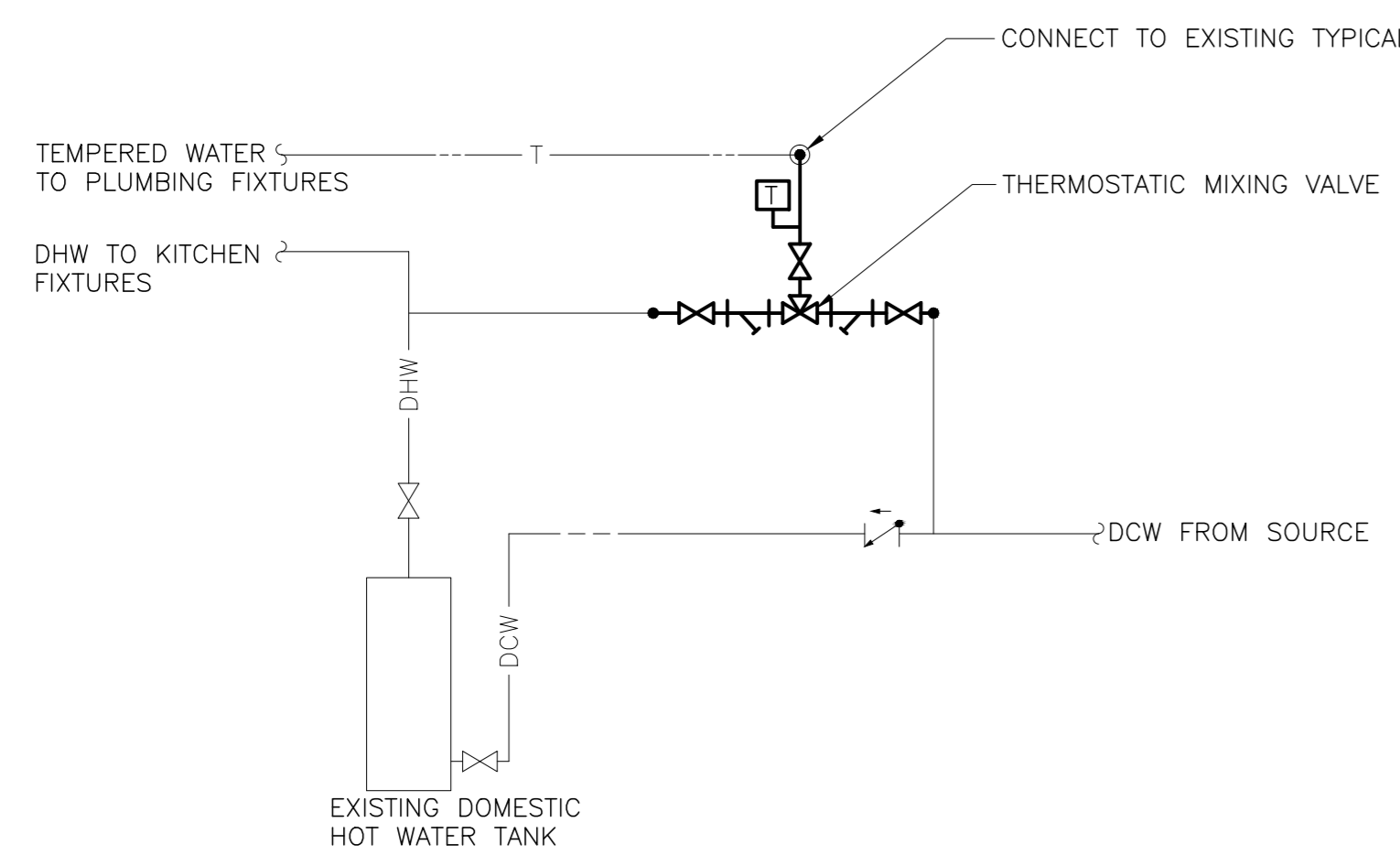
SCALE : 1:50  
0m 1m 2m 3m 4m 5m

1. CONFIRM EXACT SIZES FOR EXISTING GRILLES AND DIFFUSERS ON SITE PRIOR TO SHOP DRAWING SUBMISSION.
  2. RE-BALANCE AIR FLOW FROM EXISTING FURNACE EQUALLY AMONGST SUPPLY DIFFUSERS.
- V1 REMOVE EXISTING SUPPLY DIFFUSER AND REPLACE WITH NEW SUPPLY DIFFUSER. EXTEND DUCTWORK TO SUIT DIFFUSER LOCATION.
  - V2 REMOVE EXISTING EXHAUST GRILLE AND REPLACE WITH NEW EXHAUST GRILLE.
  - V3 NEW DOOR GRILLE. COORDINATE SIZE WITH FINAL DOOR SHOP DRAWING.
  - V4 REMOVE EXISTING RETURN GRILLE AND REPLACE WITH NEW RETURN GRILLE.
  - V5 EXISTING WALL MOUNTED EXHAUST FAN TO REMAIN.
  - V7 REMOVE COMBINATION FURNACE AND HOT WATER TANK EXHAUST THROUGH ROOF. NOT SHOWN. INSTALL NEW CHIMNEY. EXTEND CHIMNEY MINIMUM 600mm ABOVE ROOF RIDGE LINE. ALLOW FOR 4M FOR OVERALL HEIGHT OF STACK. PROVIDE SUITABLE FLASHING FOR STANDING METAL SEAM ROOF OR ASPHALT SHINGLES. FLASHING TO BE PRODUCT FROM CHIMNEY MANUFACTURER. FINAL DECISION ON FLASHING TYPE TO BE DETERMINED ON SITE.

ITEM	PIPE CONNECTION				DESCRIPTION
	DCW	DHW	SANITARY	VENT	
WC-1	1/2	-	3	1 1/2	WATER CLOSET - FLOOR MOUNTED
WC-2	1/2	-	3	1 1/2	WATER CLOSET - FLOOR MOUNTED, BARRIER FREE
U-1	3/4	-	2	1 1/4	URINAL - WALL HUNG
U-2	3/4	-	2	1 1/4	URINAL - WALL HUNG - BARRIER FREE
L-1	1/2	1/2	1 1/4	1 1/4	LAVATORY - VANITY - BARRIER FREE
SH-1	-	-	-	-	EXISTING SHOWER - TRIM TO BE REPLACED

VENTILATION LEGEND	SYMBOL
FRESH AIR \ SUPPLY AIR	EA
EXHAUST AIR \ RETURN AIR	RA
FRESH AIR	EA
SUPPLY AIR	RA
RETURN AIR	SA
EXHAUST AIR	FA
AIR FLOW (l/s)	XX
GRILLE/DIFFUSER	XXX

GRILLE, DIFFUSER AND REGISTER SCHEDULE						
No.	DESCRIPTION	NECK DIA. (mm)	CEILING PANEL SIZE (mmXmm)	FACE SIZE (mmXmm)	FLOW RATE (l/s)	REMARKS
S1	SQUARE PLAQUE DIFFUSER	150#	600x600	300x300		c/w BALANCING DAMPER
E1	EGG CRATE FACE EXHAUST	-	-	200x200		c/w OPPOSED BLADE DAMPER
E2	EGG CRATE FACE EXHAUST	-	-	200x150		c/w OPPOSED BLADE DAMPER
R1	LOUVERED FACE RETURN	-	-	400x300		c/w BALANCING DAMPER
DG1	DOOR GRILLE	-	-	500x400		c/w BORDER BOTH SIDES



SERVICE BUILDING 'B' - TYPICAL PIPING DIAGRAM



1	RE-ISSUED FOR TENDER	FEB. 21 2018
0	ISSUED FOR TENDER	JAN. 31 2018

revisions  
project  
**Facility Rehabilitation  
Kouchibouguac  
National Park  
Kouchibouguac,  
New Brunswick**

drawing  
dessin  
**SERVICE BUILDING B  
MECHANICAL SERVICES  
DEMOLITION AND  
NEW CONDITIONS**

designed K.M. conçu  
date FEBRUARY 21, 2018  
drawn R.A. dessiné  
date FEBRUARY 21, 2018  
approved K.M. approuvé  
date FEBRUARY 21, 2018

Tender Soumission  
PWSC Project Manager Administrateur de projets TPSC  
project number no. du projet

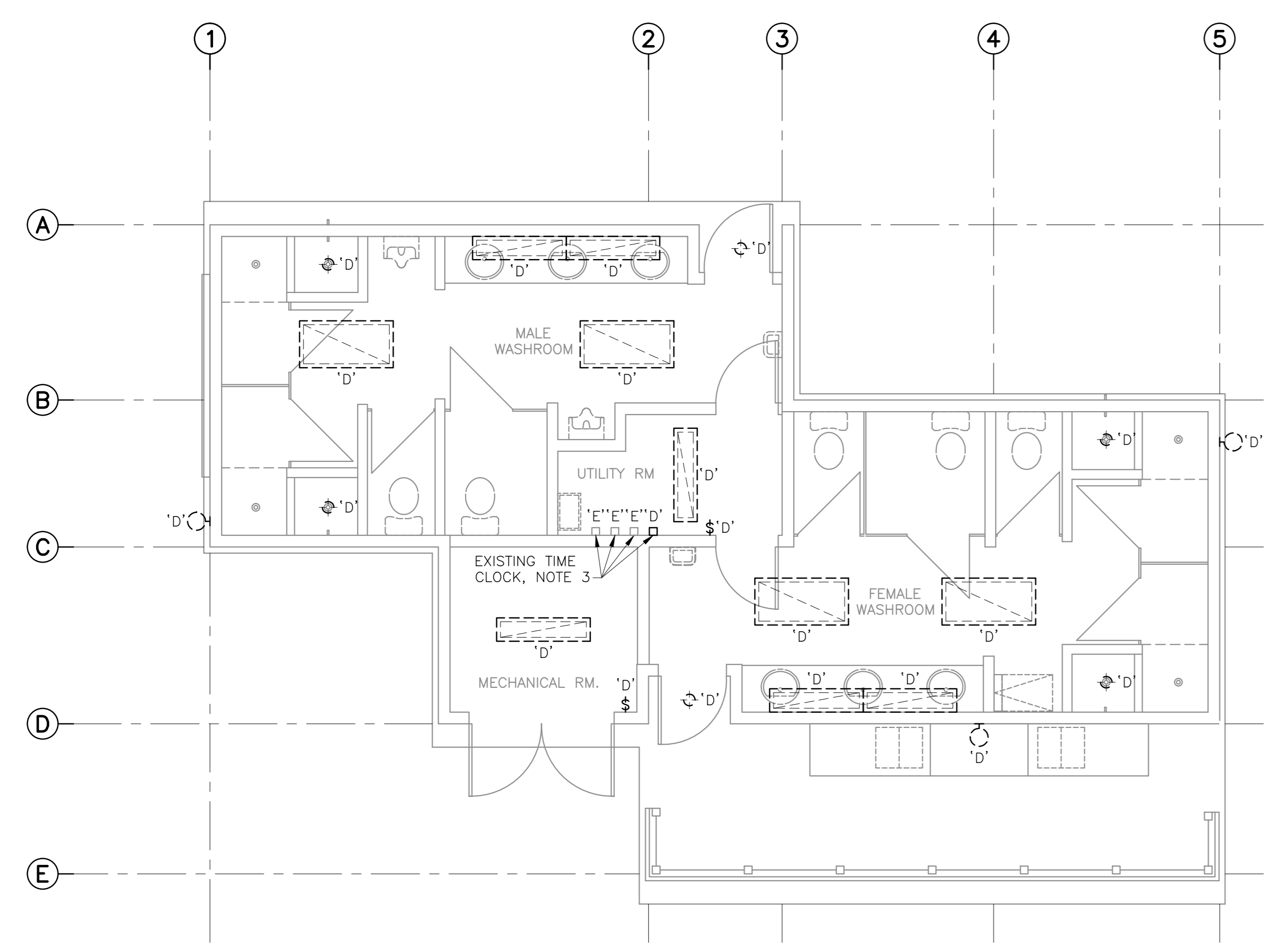
drawing no. no. du dessin  
**H-101**



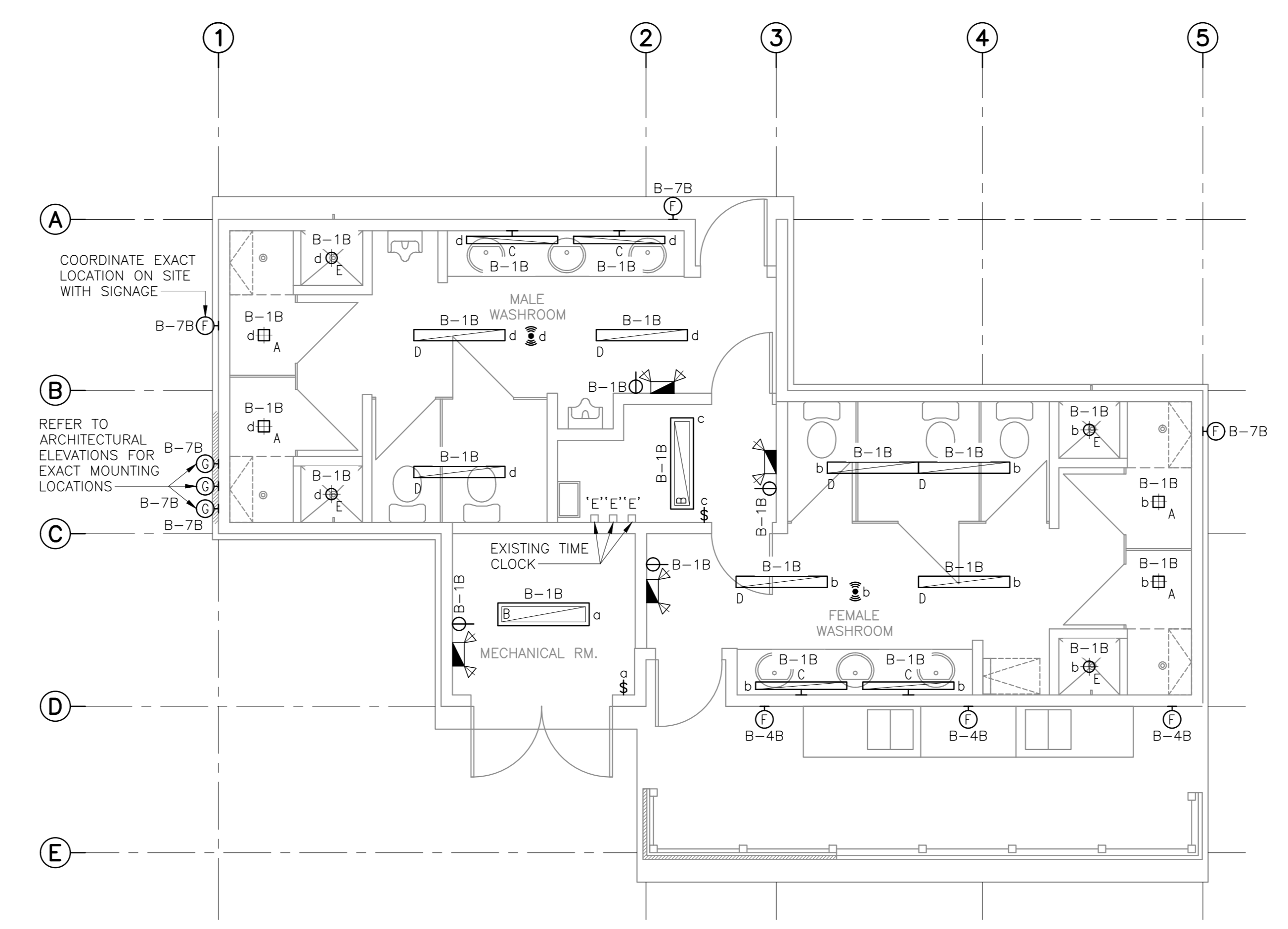
NOTES	
1	DEMOLITION DRAWINGS ARE BASED ON EXISTING AS-BUILT DRAWINGS AND INFORMATION COLLECTED ON SITE THROUGH VISUAL INSPECTIONS. NOT ALL EXISTING EQUIPMENT AND DEVICES MAY BE SHOWN AND LOCATIONS MAY VARY. CONFIRM EXISTING CONDITIONS PRIOR TO COMMENCING ANY WORK.
2	CONNECT RECEPTACLES FOR EMERGENCY LIGHTING BATTERY UNITS TO 120VAC UNSWITCHED CIRCUIT.
3	MAINTAIN EXISTING TIME CLOCK FOR FAN, EXTERIOR KITCHEN LIGHTING AND EXTERIOR LIGHTING. REMOVE TIME CLOCK CONTROLLING INTERIOR WASHROOM LIGHTING. INSTALL LAMICOID LABELS ON EXISTING TIME CLOCKS IDENTIFYING EQUIPMENT OR LIGHTING CONTROLLED.
4	REMOVE EXISTING GROUND CABLE FROM MINI POWER CENTER WIRED TO COPPER PIPE AND INSTALL NEW #3AWG SOLID COPPER GROUND CABLE.

**EKISTICS PLANNING & DESIGN**  
 1 STARR LANE, DARTMOUTH  
 PH: (902)461-2529 FAX: (902)465-3131

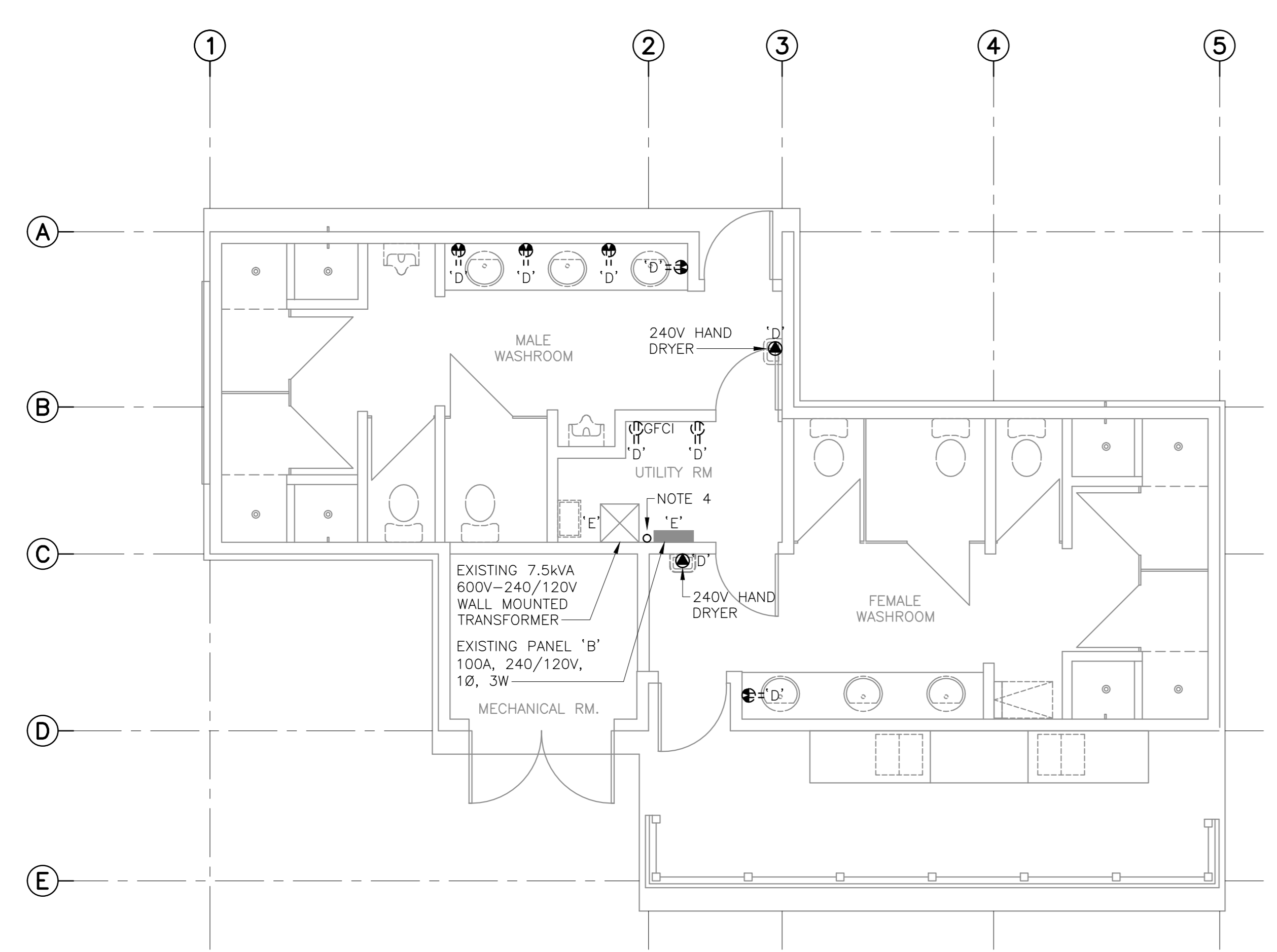
**amec foster wheeler**  
 90 FRED AUSTIN BLVD  
 DARTMOUTH, NS  
 B3B 2-1  
 F.N.: 199450



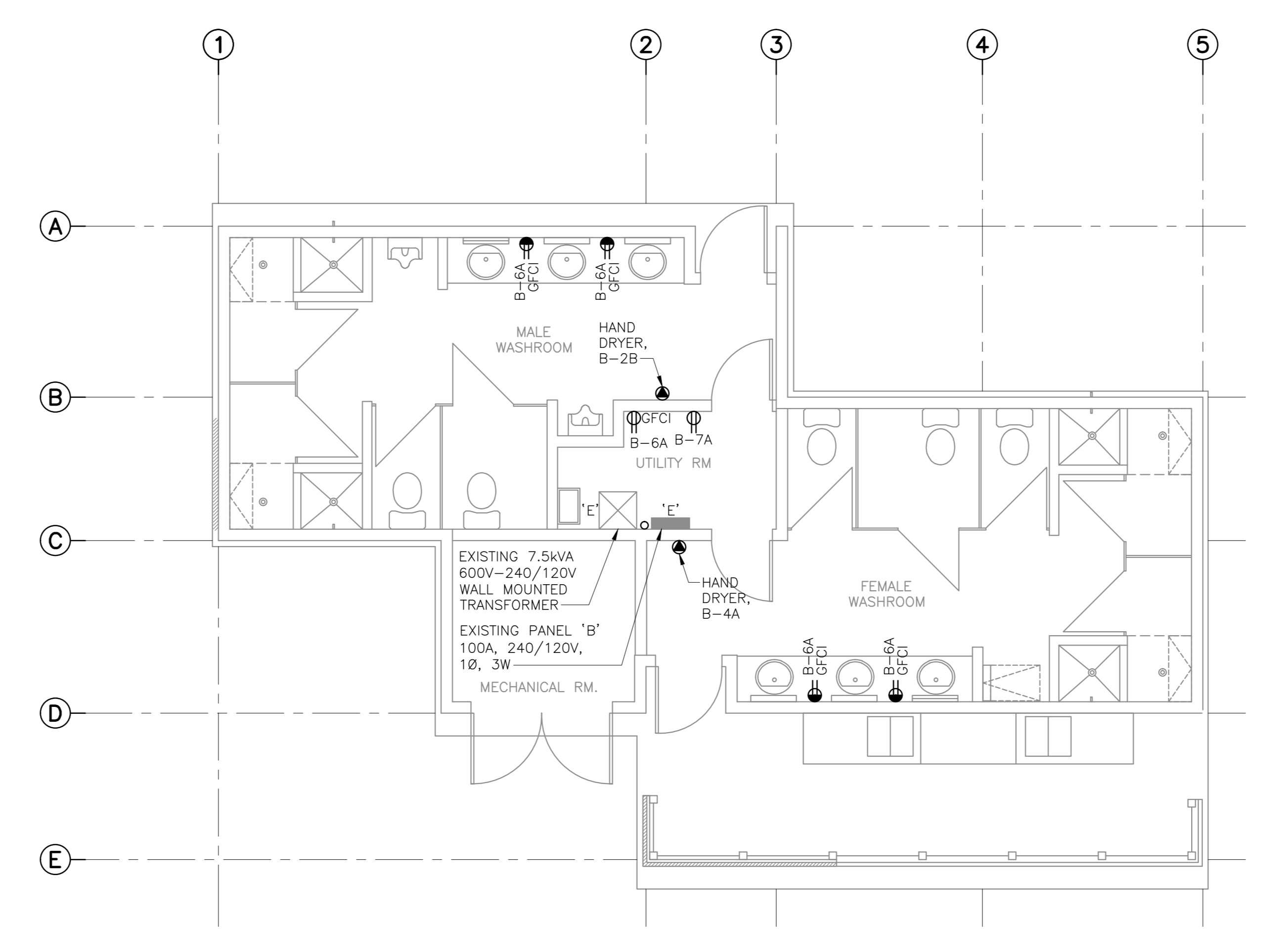
**WASHROOM B - DEMOLITION LIGHTING PLAN**  
 SCALE : 1:50



**WASHROOM B - REVISED LIGHTING PLAN**  
 SCALE : 1:50



**WASHROOM B - DEMOLITION POWER PLAN**  
 SCALE : 1:50



**WASHROOM B - REVISED POWER PLAN**  
 SCALE : 1:50



1	RE-ISSUED FOR TENDER	FEB. 21 2018
0	ISSUED FOR TENDER	JAN. 31 2018
revisions		date

project  
**Facility Rehabilitation  
 Kouchibouguac  
 National Park  
 Kouchibouguac,  
 New Brunswick**

drawing  
**SERVICE BUILDING B  
 DEMOLITION, REVISED  
 LIGHTING AND POWER  
 PLANS**

designed J.N.	conçu
date FEBRUARY 21, 2018	
drawn J.N.	dessiné
date FEBRUARY 21, 2018	
approved Z.H.	approuvé
date FEBRUARY 21, 2018	
Tender	Submission
PM/SC Project Manager	Administrateur de projets TPSC
project number	no. du projet
drawing no.	no. du dessin