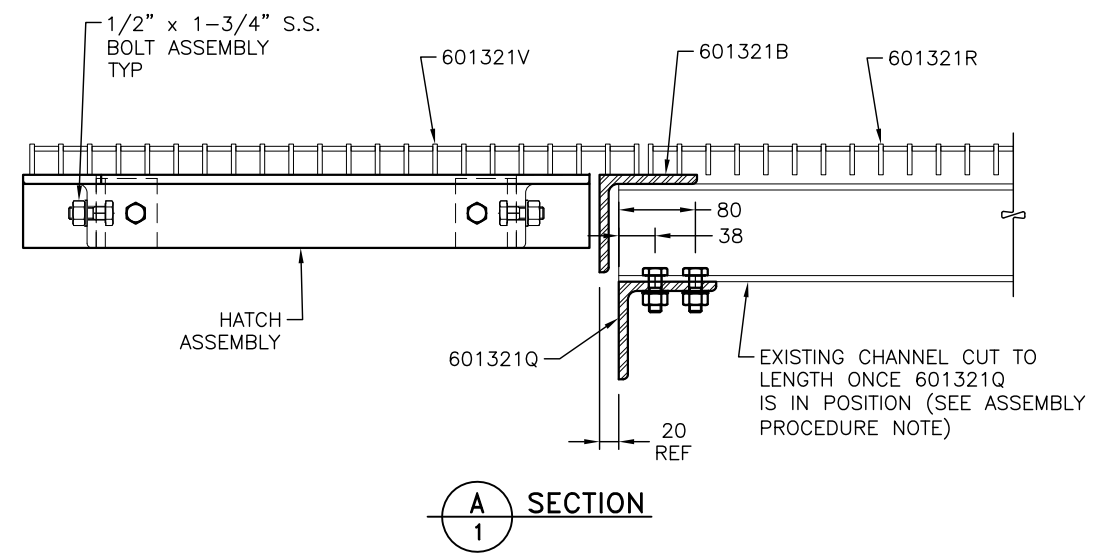
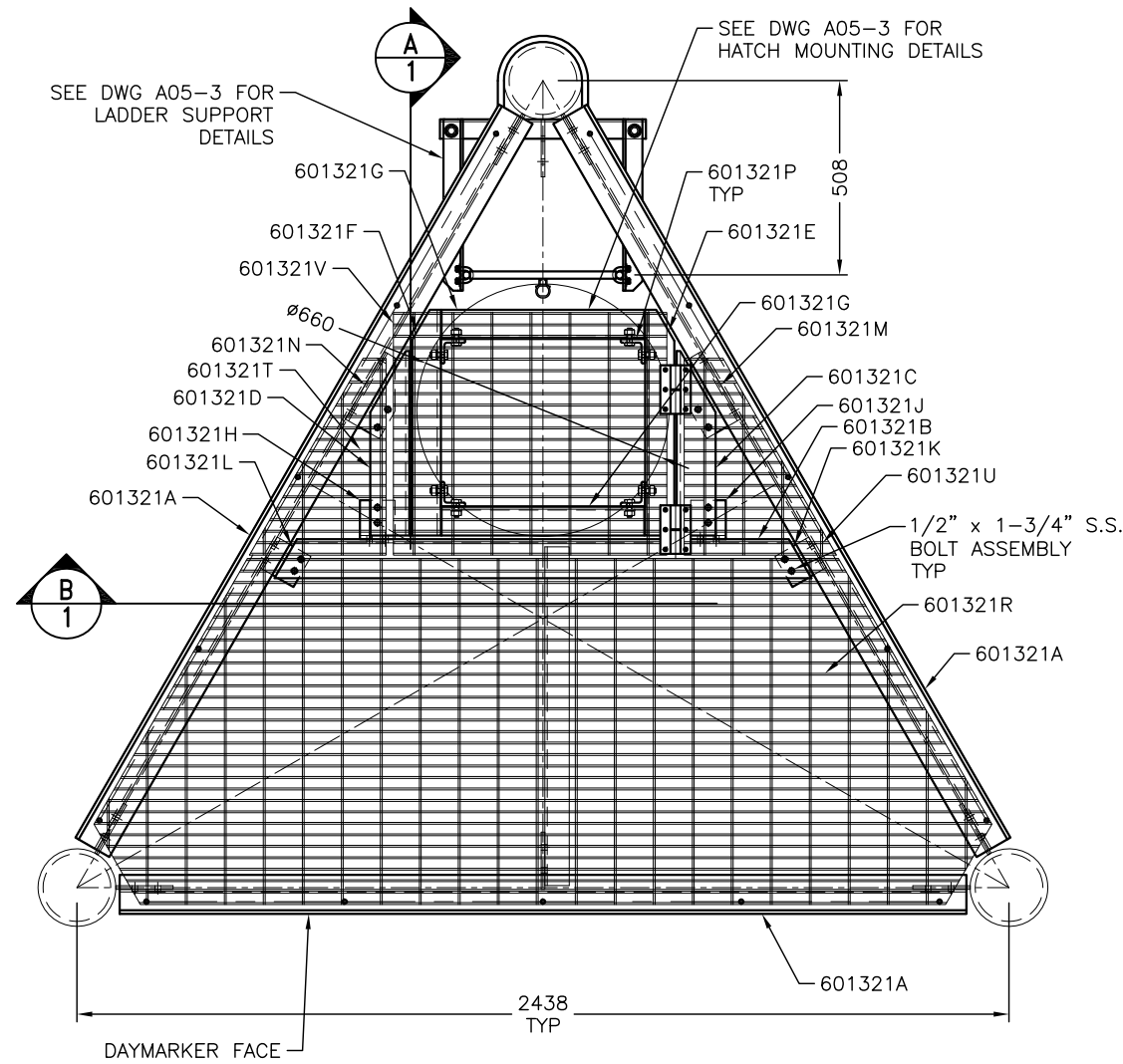
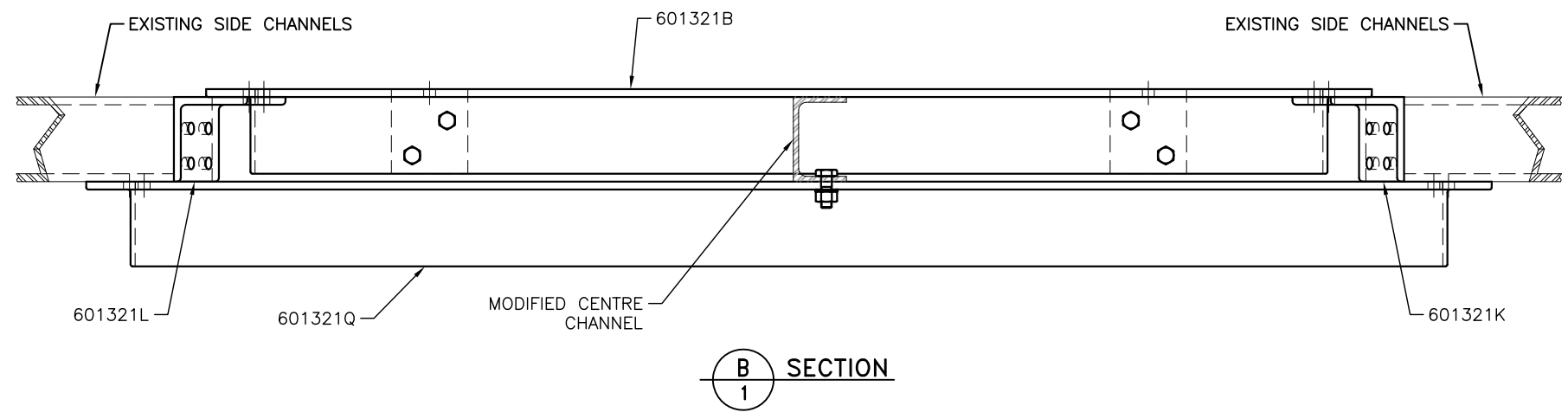


HARDWARE		
QTY	PART No.	DESCRIPTION
38		1/2"-13 x 1-3/4" S.S. BOLT (1N,1LW)
38		TYPE D SADDLE CLIP
1	DL1099A	CRL ALUMINUM UNIVERSAL

NOTES
1. SEE DRAWING GN1 FOR GENERAL NOTES.



- ASSEMBLY PROCEDURE:**
1. REMOVE EXISTING PLATFORM GRATING AND CENTRE SUPPORT CHANNEL.
 2. ASSEMBLE NEW PARTS 601321B, 601321K AND 601321L AS INDICATED.
 3. POSITION BETWEEN EXISTING SIDE SUPPORT CHANNELS WITH TOP OF 601321K AND 601321L FLUSH WITH TOP OF SIDE CHANNELS AND FIELD DRILL 9/16"Ø HOLES TO MOUNT 601321K AND 601321L.
 4. POSITION 601321Q BELOW SIDE CHANNELS AS INDICATED AND FIELD DRILL 9/16"Ø HOLES FOR MOUNTING.
 5. REMOVE 601321B AND REPLACE EXISTING CENTRE CHANNEL TO CUT FLUSH WITH 601321Q AS INDICATED.
 6. DRILL 601321Q AND CENTRE CHANNEL WITH 9/16"Ø HOLES AS INDICATED.
 7. REPLACE 601321B AND COMPLETE REMAINING PLATFORM ASSEMBLY.



ENG. RECORD No: 60-01321 APP'D:



4			
3			
2			
1			
0	ISSUED FOR CONSTRUCTION	PJS	12SEP17
REV	DESCRIPTION	DWN CHK	DATE

WEST TOWER COMMUNICATIONS LTD

PLATFORM LAYOUT
CANADIAN COAST GUARD
PLATFORM REPLACEMENT
MULGRAVE RANGE TOWER

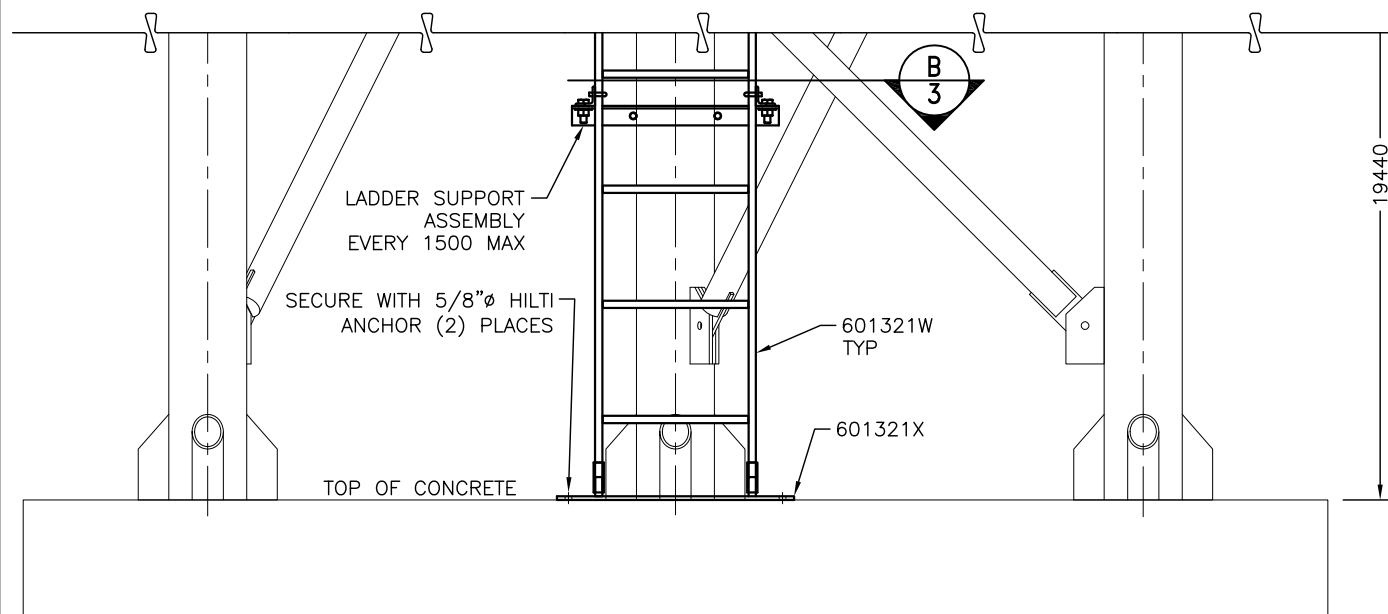
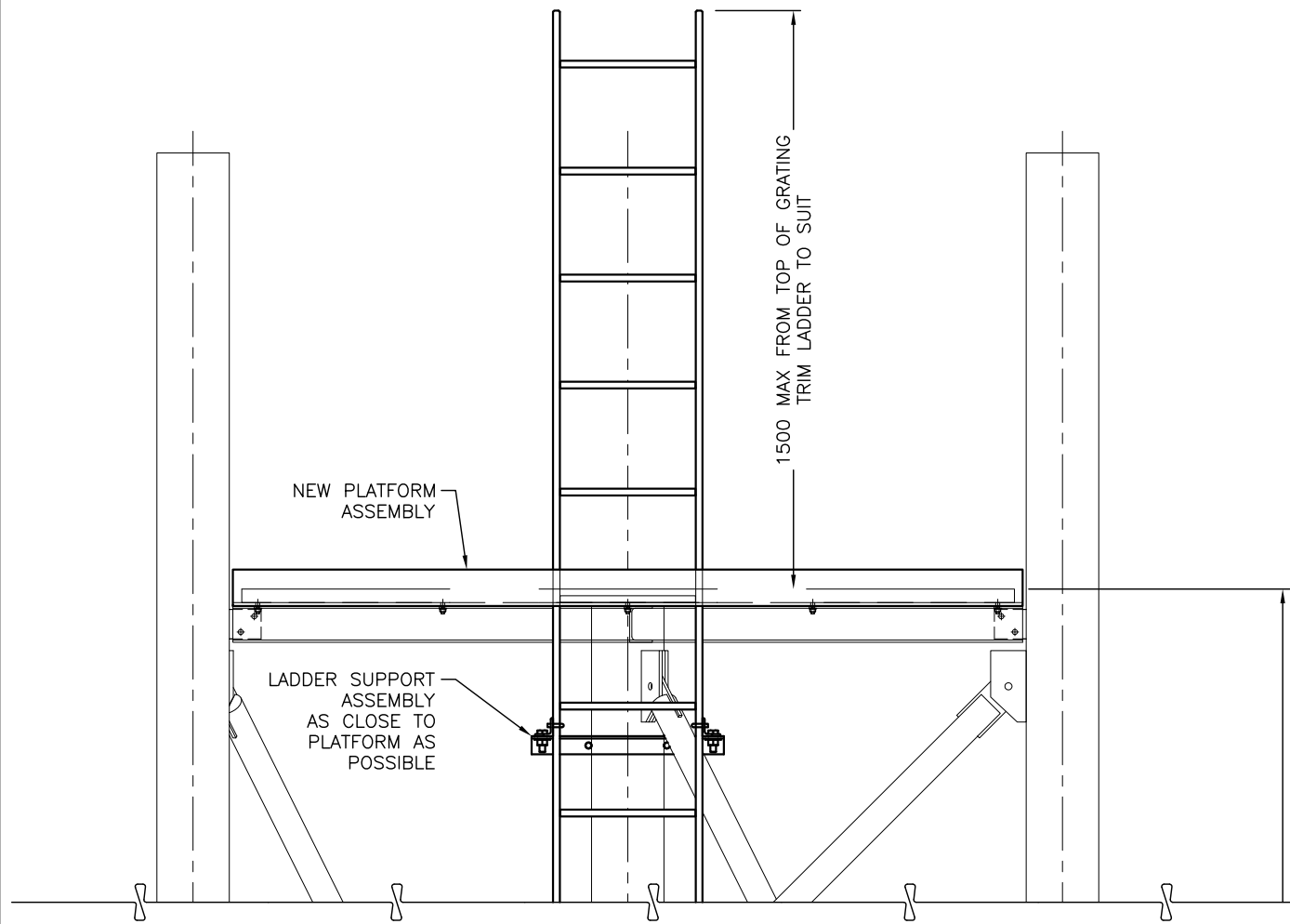
SITE CODE: DATE: 12SEP17
WTC CODE: DWN: PJS CHK:
JOB No: 60-01321 DWG No: 601321A05-2

9/19/2017 1:33:11 PM COPYRIGHT: DUPLICATION, RECORDING, USE OR DISCLOSURE PROHIBITED WITHOUT WRITTEN AUTHORIZATION OF West Tower Communications LTD.

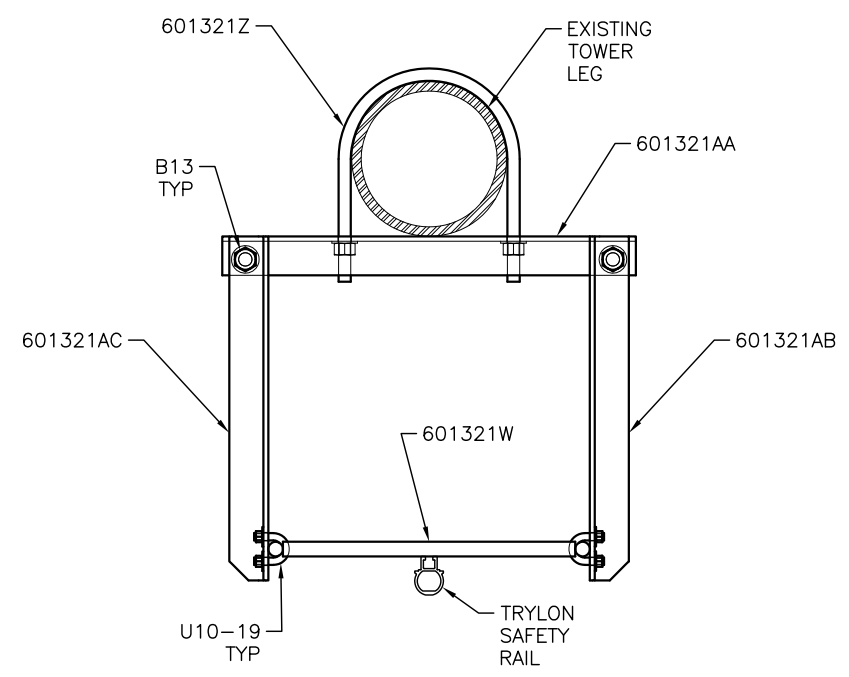
HARDWARE		
QTY	PART No.	DESCRIPTION
26		3/8" x 1-1/2" GR.5 BOLT ASSEMBLY
26		5/8"-11 S.S. HEX NUT
26		5/8" S.S. LOCKWASHER
26		5/8" S.S. FLAT WASHER
26	U10-19	3/8" x 1-1/4" c/c U-BOLT ASSEMBLY (2N,2LW,2FW)

NOTES

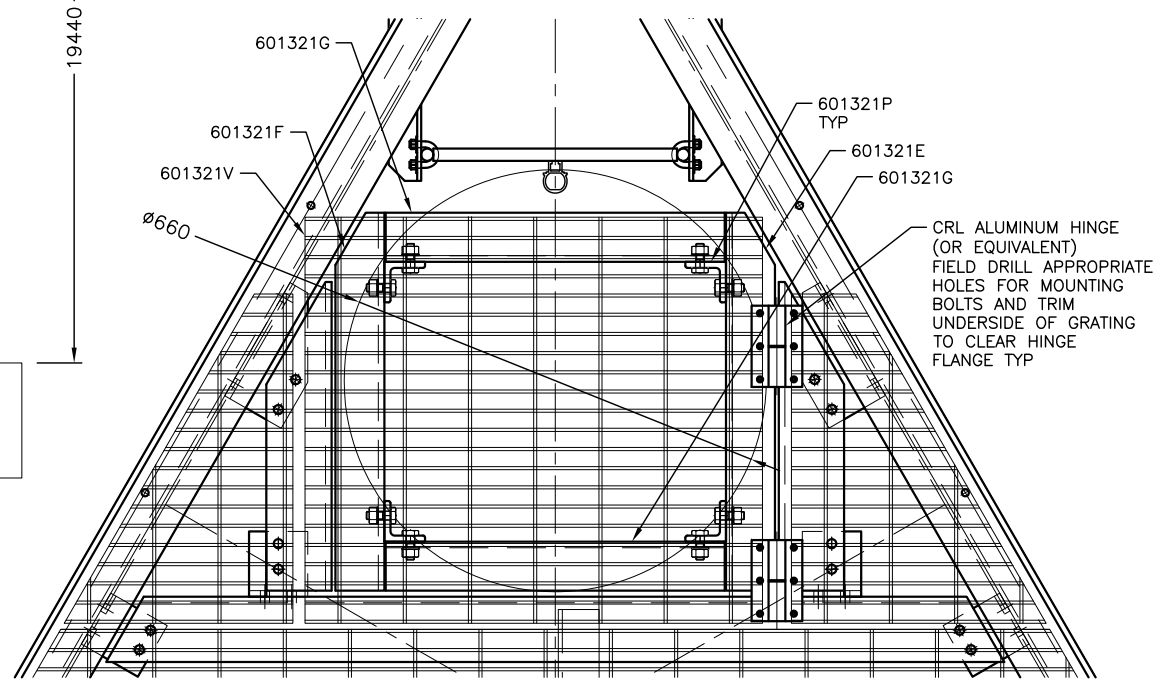
1. SEE DRAWING GN1 FOR GENERAL NOTES.



○ ELEVATION



○ B 3 SECTION



○ HATCH ASSEMBLY

ENG. RECORD No: 60-01321 APP'D:



4			
3			
2			
1			
0	ISSUED FOR CONSTRUCTION	PJS	12SEP17

REV	DESCRIPTION	DWN CHK	DATE
-----	-------------	------------	------



LADDER AND HATCH ASSEMBLY
CANADIAN COAST GUARD
PLATFORM REPLACEMENT
MULGRAVE RANGE TOWER

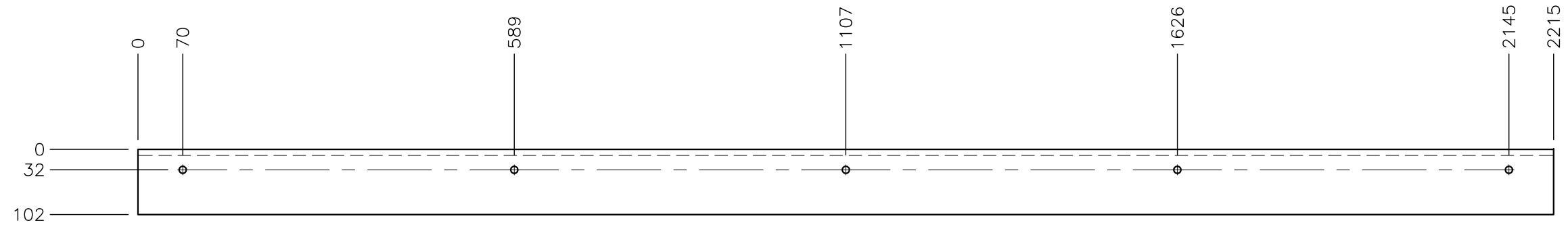
SITE CODE:	DATE: 12SEP17
WTC CODE:	DWN: PJS CHK:
JOB No: 60-01321	DWG No: 601321A05-3

9/19/2017 1:33:35 PM

COPYRIGHT: DUPLICATION, RECORDING, USE OR DISCLOSURE PROHIBITED WITHOUT WRITTEN AUTHORIZATION OF West Tower Communications LTD.

PROCEDURE	BY	DATE	CHECK	DATE
FABRICATION				
TACK				
WELD				

9/19/2017 1:35:32 PM
 COPYRIGHT: DUPLICATION, RECORDING, USE OR DISCLOSURE PROHIBITED WITHOUT WRITTEN AUTHORIZATION OF WestTower Communications LTD.



MK	QTY	DESCRIPTION	LENGTH	REMARKS	REV	WT
601321A	3	L 102x102x9.5 ALUMINUM	2215		0	33.3

WGT(kg): 33.3
HOLES: 7/16"Ø U.N.O.
MATERIAL: 6351-T6-ASTM-B221-65
FINISH: NONE

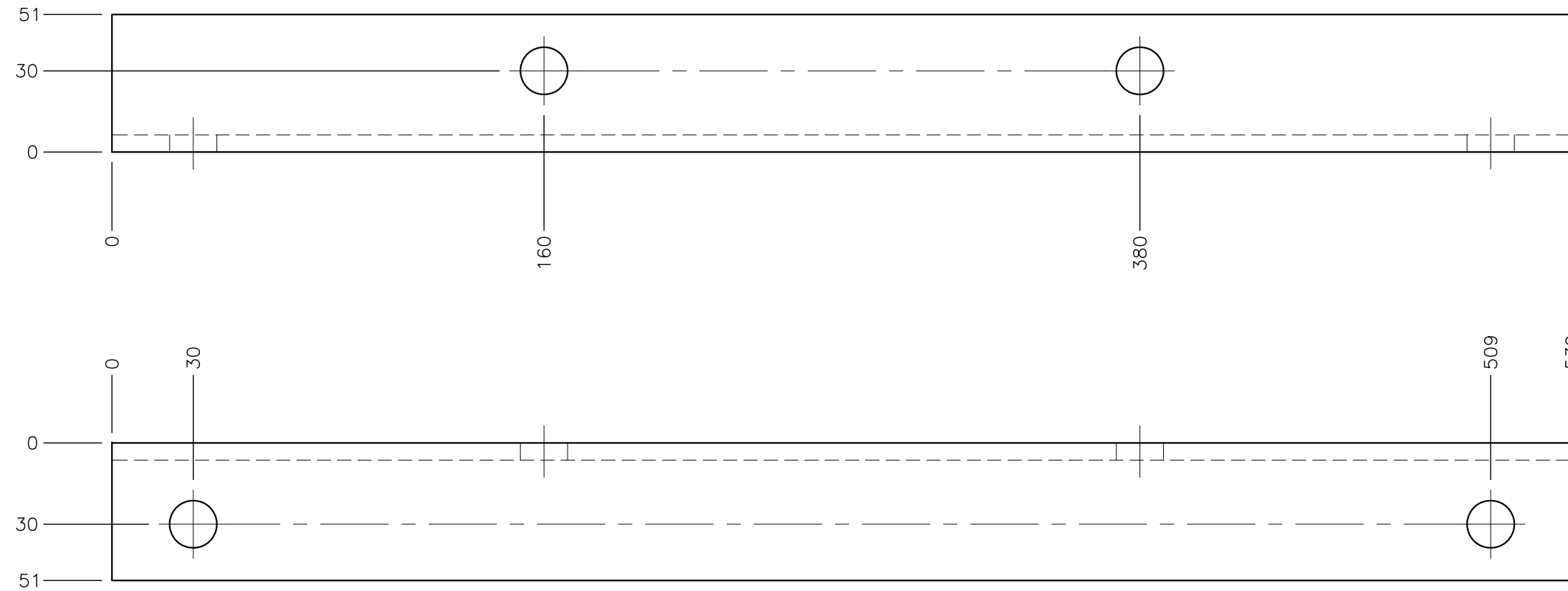


ENG. RECORD No: 60-01321	APP'D:
---------------------------------	--------

0	ISSUED FOR CONSTRUCTION	PJS	12SEP17
REV	DESCRIPTION	DWN CHK	DATE
WESTOWER COMMUNICATIONS LTD			
PLATFORM SUPPORT ANGLE			
CANADIAN COAST GUARD			
PLATFORM REPLACEMENT			
MULGRAVE RANGE TOWER			
SITE CODE:	DATE :	12SEP17	
WTC CODE:	DWN:	PJS	CHK:
JOB No: 60-01321	DWG No: 601321A		

PROCEDURE	BY	DATE	CHECK	DATE
FABRICATION				
TACK				
WELD				

9/19/2017 1:35:35 PM
 COPYRIGHT: DUPLICATION, RECORDING, USE OR DISCLOSURE PROHIBITED WITHOUT WRITTEN AUTHORIZATION OF WestTower Communications LTD.



601321AA	13	L 51x51x6.4 ALUMINUM	539		0	33.8
MK	QTY	DESCRIPTION	LENGTH	REMARKS	REV	WT

WGT(kg): 33.8
HOLES: 11/16"Ø U.N.O.
MATERIAL: 6351-T6-ASTM-B221-65
FINISH: NONE



ENG. RECORD No: 60-01321	APP'D:
---------------------------------	--------

0	ISSUED FOR CONSTRUCTION	PJS	12SEP17
REV	DESCRIPTION	DWN CHK	DATE



LADDER SUPPORT ANGLE	
CANADIAN COAST GUARD	
PLATFORM REPLACEMENT	
MULGRAVE RANGE TOWER	
SITE CODE:	DATE : 12SEP17
WTC CODE:	DWN: PJS CHK:
JOB No: 60-01321	DWG No: 601321AA

PROCEDURE	BY	DATE	CHECK	DATE
FABRICATION				
TACK				
WELD				

9/19/2017 1:35:38 PM
 COPYRIGHT: DUPLICATION, RECORDING, USE OR DISCLOSURE PROHIBITED WITHOUT WRITTEN AUTHORIZATION OF WestTower Communications LTD.



601321AB	13	L 51x51x6.4 ALUMINUM	448		0	27.3
MK	QTY	DESCRIPTION	LENGTH	REMARKS	REV	WT

WGT(kg):	27.3
HOLES:	11/16"Ø U.N.O.
MATERIAL:	6351-T6-ASTM-B221-65
FINISH:	NONE



ENG. RECORD No:	60-01321	APP'D:	
-----------------	----------	--------	--

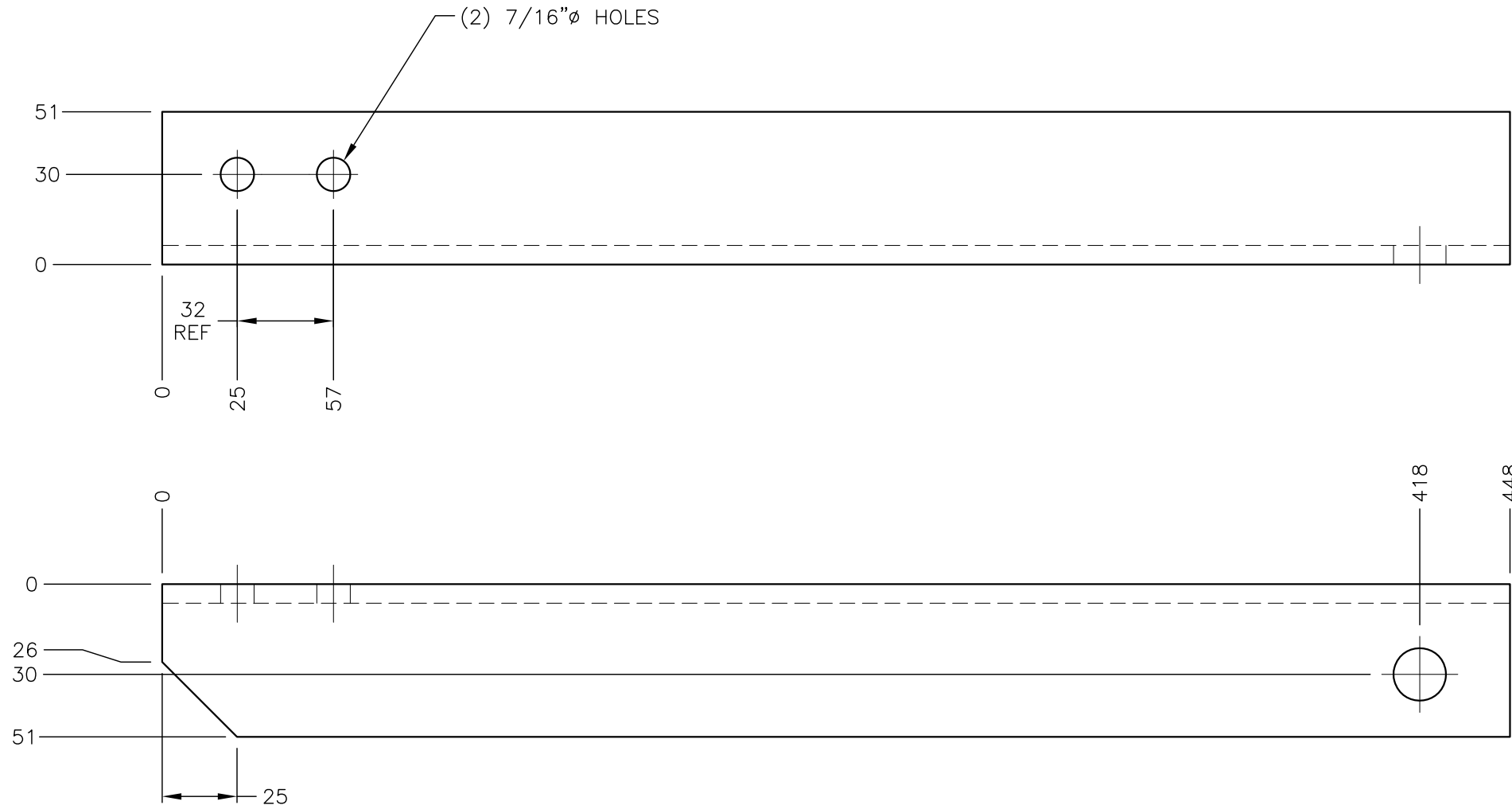
0	ISSUED FOR CONSTRUCTION	PJS	12SEP17
REV	DESCRIPTION	DWN CHK	DATE



LADDER SUPPORT ANGLE	
CANADIAN COAST GUARD	
PLATFORM REPLACEMENT	
MULGRAVE RANGE TOWER	
SITE CODE:	DATE : 12SEP17
WTC CODE:	DWN: PJS CHK:
JOB No: 60-01321	DWG No: 601321AB

PROCEDURE	BY	DATE	CHECK	DATE
FABRICATION				
TACK				
WELD				

9/19/2017 1:35:41 PM
 COPYRIGHT: DUPLICATION, RECORDING, USE OR DISCLOSURE PROHIBITED WITHOUT WRITTEN AUTHORIZATION OF WestTower Communications LTD.



601321AC	13	L 51x51x6.4 ALUMINUM	448		0	27.3
MK	QTY	DESCRIPTION	LENGTH	REMARKS	REV	WT

WGT(kg): 27.3
HOLES: 11/16"Ø U.N.O.
MATERIAL: 6351-T6-ASTM-B221-65
FINISH: NONE

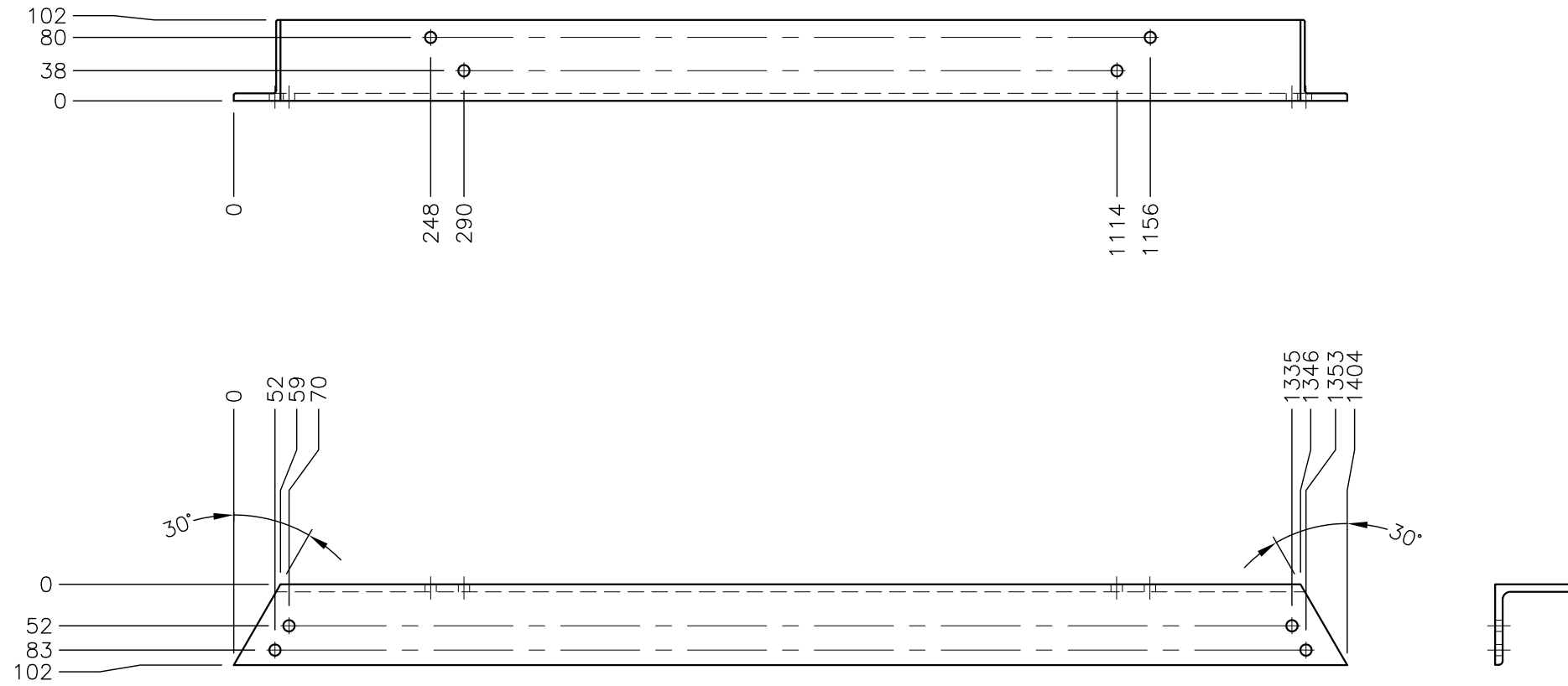


ENG. RECORD No: 60-01321	APP'D:
--------------------------	--------

0	ISSUED FOR CONSTRUCTION	PJS	12SEP17
REV	DESCRIPTION	DWN CHK	DATE
WESTOWER COMMUNICATIONS LTD			
LADDER SUPPORT ANGLE			
CANADIAN COAST GUARD			
PLATFORM REPLACEMENT			
MULGRAVE RANGE TOWER			
SITE CODE:	DATE :	12SEP17	
WTC CODE:	DWN:	PJS	CHK:
JOB No: 60-01321	DWG No: 601321AC		

PROCEDURE	BY	DATE	CHECK	DATE
FABRICATION				
TACK				
WELD				

9/19/2017 1:35:44 PM
 COPYRIGHT: DUPLICATION, RECORDING, USE OR DISCLOSURE PROHIBITED WITHOUT WRITTEN AUTHORIZATION OF WestTower Communications LTD.



601321B	1	L 102x102x9.5 ALUMINUM	1404		0	7.0
MK	QTY	DESCRIPTION	LENGTH	REMARKS	REV	WT

WGT(kg): 7.0
 HOLES: 9/16"Ø U.N.O.
 MATERIAL: 6351-T6-ASTM-B221-65
 FINISH: NONE



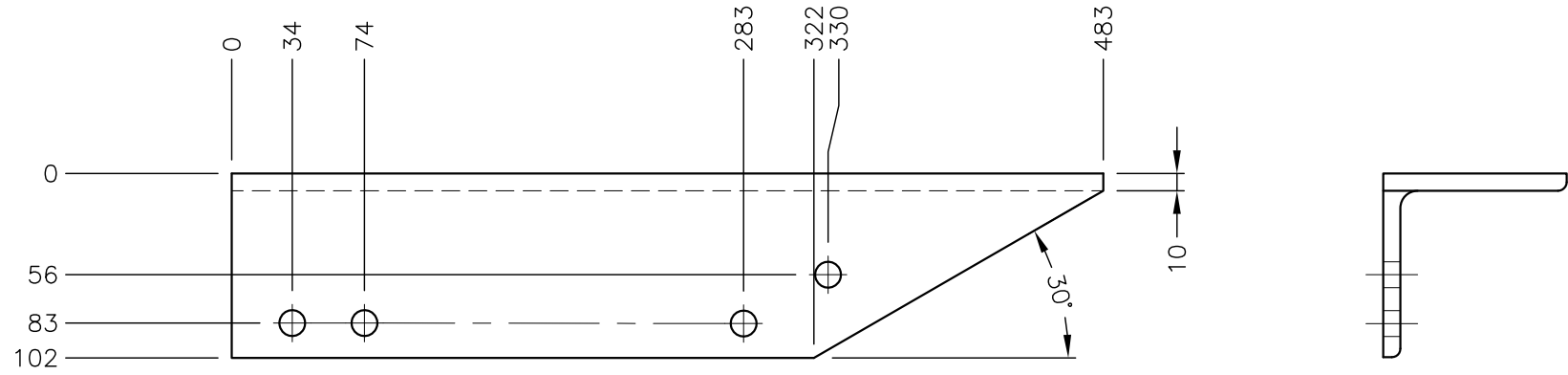
APP'D: _____

ENG. RECORD No: 60-01321

0	ISSUED FOR CONSTRUCTION	PJS	12SEP17
REV	DESCRIPTION	DWN CHK	DATE
WESTOWER COMMUNICATIONS LTD			
PLATFORM SUPPORT ANGLE			
CANADIAN COAST GUARD			
PLATFORM REPLACEMENT			
MULGRAVE RANGE TOWER			
SITE CODE:	DATE :	12SEP17	
WTC CODE:	DWN:	PJS	CHK:
JOB No: 60-01321	DWG No: 601321B		

PROCEDURE	BY	DATE	CHECK	DATE
FABRICATION				
TACK				
WELD				

9/19/2017 1:35:47 PM
 COPYRIGHT: DUPLICATION, RECORDING, USE OR DISCLOSURE PROHIBITED WITHOUT WRITTEN AUTHORIZATION OF WestTower Communications LTD.



601321C	1	L 102x102x9.5 ALUMINUM	483		0	2.4
MK	QTY	DESCRIPTION	LENGTH	REMARKS	REV	WT

WGT(kg): 2.4
HOLES: 9/16"Ø U.N.O.
MATERIAL: 6351-T6-ASTM-B221-65
FINISH: NONE

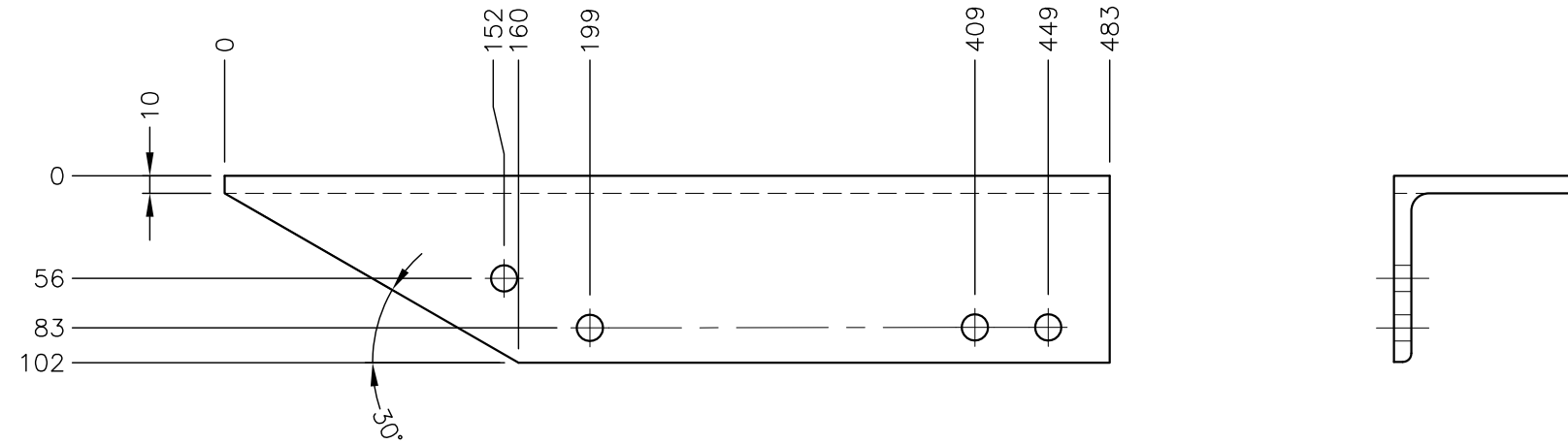


ENG. RECORD No: 60-01321	APP'D:
---------------------------------	--------

0	ISSUED FOR CONSTRUCTION	PJS	12SEP17
REV	DESCRIPTION	DWN CHK	DATE
WESTOWER COMMUNICATIONS LTD			
PLATFORM SUPPORT ANGLE			
CANADIAN COAST GUARD			
PLATFORM REPLACEMENT			
MULGRAVE RANGE TOWER			
SITE CODE:	DATE :	12SEP17	
WTC CODE:	DWN:	PJS	CHK:
JOB No: 60-01321	DWG No: 601321C		

PROCEDURE	BY	DATE	CHECK	DATE
FABRICATION				
TACK				
WELD				

9/19/2017 1:35:50 PM
 COPYRIGHT: DUPLICATION, RECORDING, USE OR DISCLOSURE PROHIBITED WITHOUT WRITTEN AUTHORIZATION OF WestTower Communications LTD.



MK	QTY	DESCRIPTION	LENGTH	REMARKS	REV	WT
601321D	1	L 102x102x9.5 ALUMINUM	483		0	2.4

WGT(kg): 2.4
HOLES: 9/16"Ø U.N.O.
MATERIAL: 6351-T6-ASTM-B221-65
FINISH: NONE

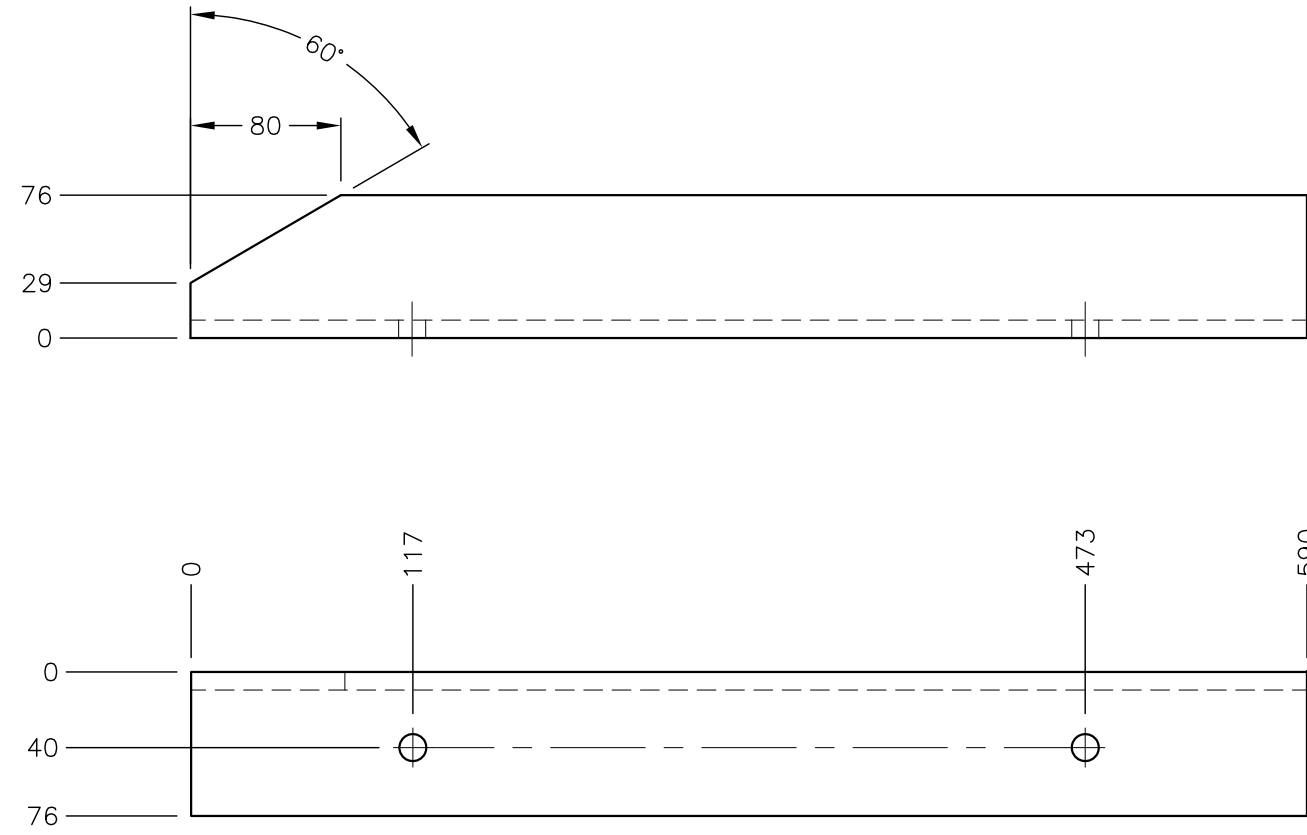


ENG. RECORD No: 60-01321	APP'D:
---------------------------------	--------

0	ISSUED FOR CONSTRUCTION	PJS	12SEP17
REV	DESCRIPTION	DWN CHK	DATE
WESTOWER COMMUNICATIONS LTD			
PLATFORM SUPPORT ANGLE			
CANADIAN COAST GUARD			
PLATFORM REPLACEMENT			
MULGRAVE RANGE TOWER			
SITE CODE:	DATE :	12SEP17	
WTC CODE:	DWN:	PJS	CHK:
JOB No:	60-01321	DWG No:	601321D

PROCEDURE	BY	DATE	CHECK	DATE
FABRICATION				
TACK				
WELD				

9/19/2017 1:35:53 PM
 COPYRIGHT: DUPLICATION, RECORDING, USE OR DISCLOSURE PROHIBITED WITHOUT WRITTEN AUTHORIZATION OF WestTower Communications LTD.



601321E	1	L 76x76x9.5 ALUMINUM	590		0	2.2
MK	QTY	DESCRIPTION	LENGTH	REMARKS	REV	WT

WGT(kg): 2.2
HOLES: 9/16"Ø U.N.O.
MATERIAL: 6351-T6-ASTM-B221-65
FINISH: NONE

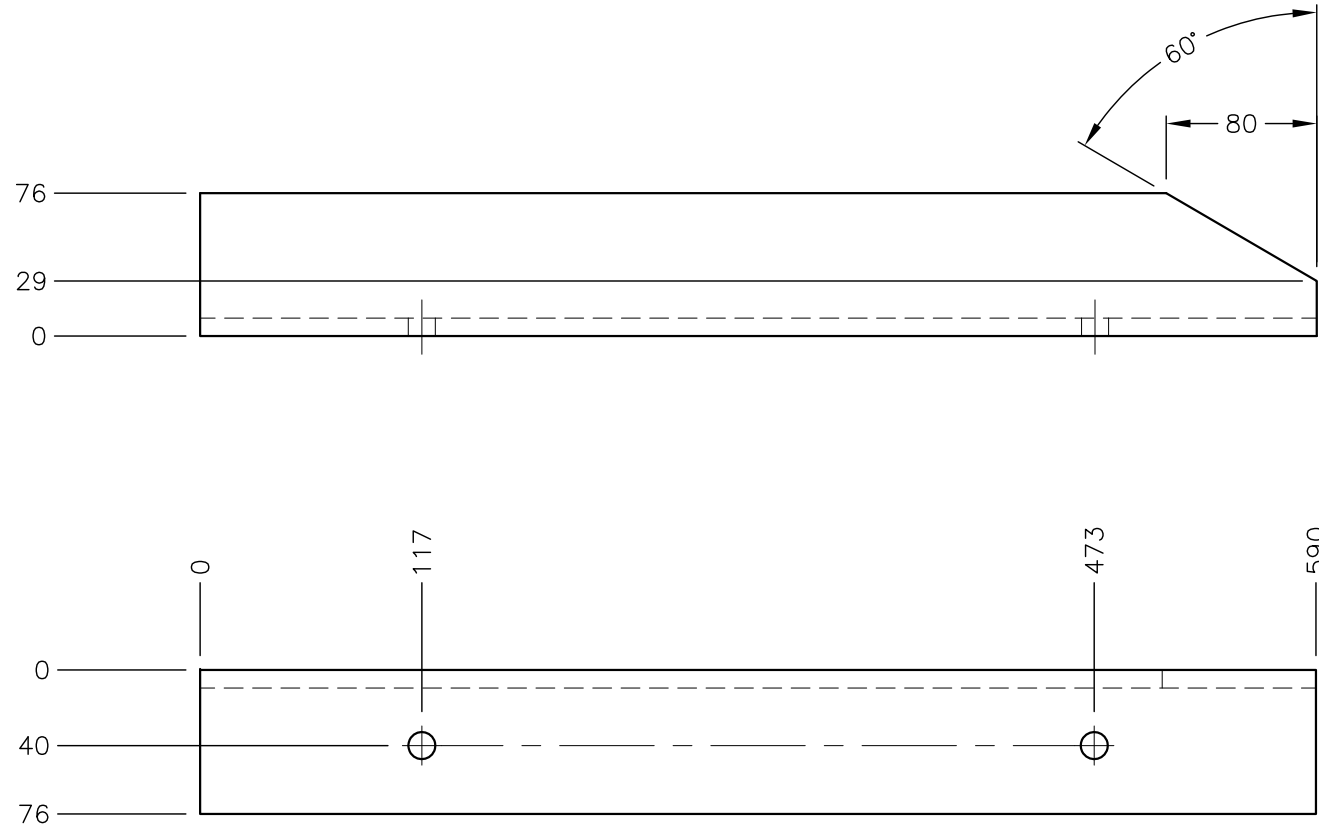


ENG. RECORD No: 60-01321	APP'D:
--------------------------	--------

0	ISSUED FOR CONSTRUCTION	PJS	12SEP17
REV	DESCRIPTION	DWN CHK	DATE
WESTOWER COMMUNICATIONS LTD			
HATCH FRAME ANGLE			
CANADIAN COAST GUARD			
PLATFORM REPLACEMENT			
MULGRAVE RANGE TOWER			
SITE CODE:	DATE :	12SEP17	
WTC CODE:	DWN:	PJS	CHK:
JOB No: 60-01321	DWG No: 601321E		

PROCEDURE	BY	DATE	CHECK	DATE
FABRICATION				
TACK				
WELD				

9/19/2017 1:35:56 PM
 COPYRIGHT: DUPLICATION, RECORDING, USE OR DISCLOSURE PROHIBITED WITHOUT WRITTEN AUTHORIZATION OF WestTower Communications LTD.



601321F	1	L 76x76x9.5 ALUMINUM	590		0	2.2
MK	QTY	DESCRIPTION	LENGTH	REMARKS	REV	WT

WGT(kg): 2.2
HOLES: 9/16"Ø U.N.O.
MATERIAL: 6351-T6-ASTM-B221-65
FINISH: NONE

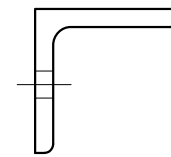
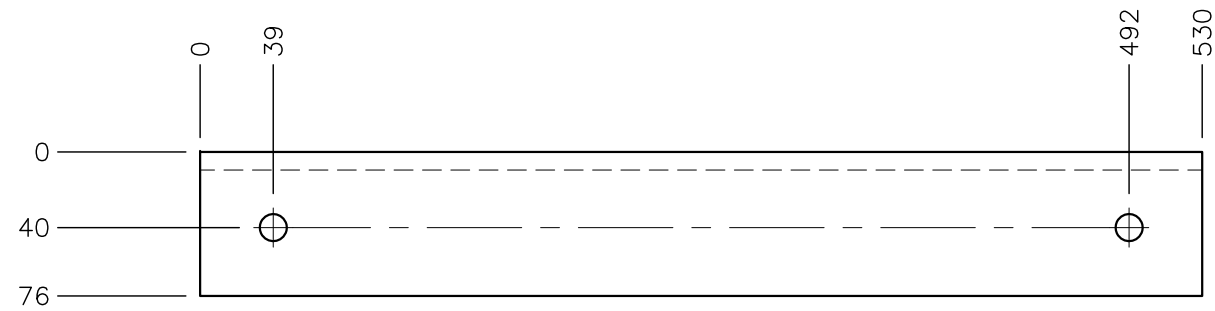


ENG. RECORD No: 60-01321	APP'D:
--------------------------	--------

0	ISSUED FOR CONSTRUCTION	PJS	12SEP17
REV	DESCRIPTION	DWN CHK	DATE
WESTOWER COMMUNICATIONS LTD			
HATCH FRAME ANGLE			
CANADIAN COAST GUARD			
PLATFORM REPLACEMENT			
MULGRAVE RANGE TOWER			
SITE CODE:	DATE :	12SEP17	
WTC CODE:	DWN:	PJS	CHK:
JOB No: 60-01321	DWG No: 601321F		

PROCEDURE	BY	DATE	CHECK	DATE
FABRICATION				
TACK				
WELD				

9/19/2017 1:35:59 PM
 COPYRIGHT: DUPLICATION, RECORDING, USE OR DISCLOSURE PROHIBITED WITHOUT WRITTEN AUTHORIZATION OF WestTower Communications LTD.



601321G	2	L 76x76x9.5 ALUMINUM	530		0	4.0
MK	QTY	DESCRIPTION	LENGTH	REMARKS	REV	WT

WGT(kg): 4.0
HOLES: 9/16"Ø U.N.O.
MATERIAL: 6351-T6-ASTM-B221-65
FINISH: NONE

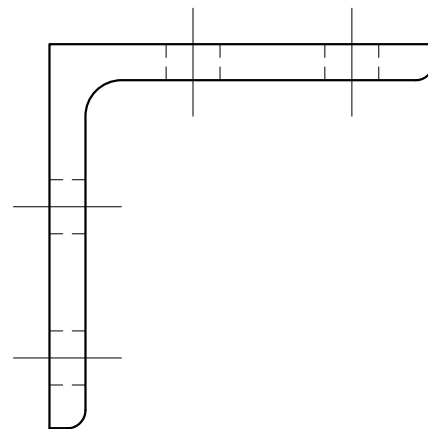
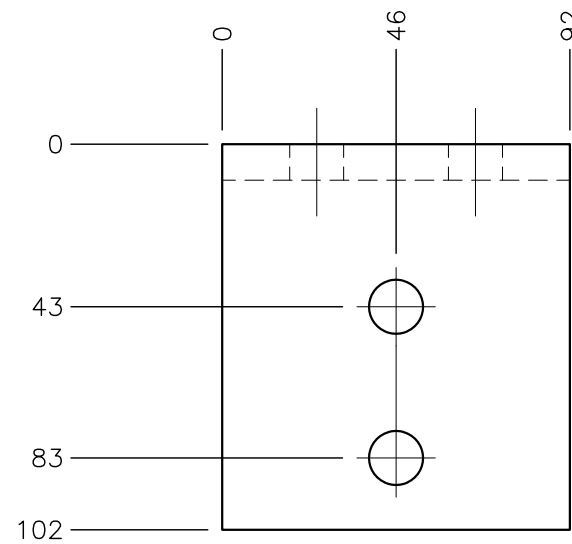
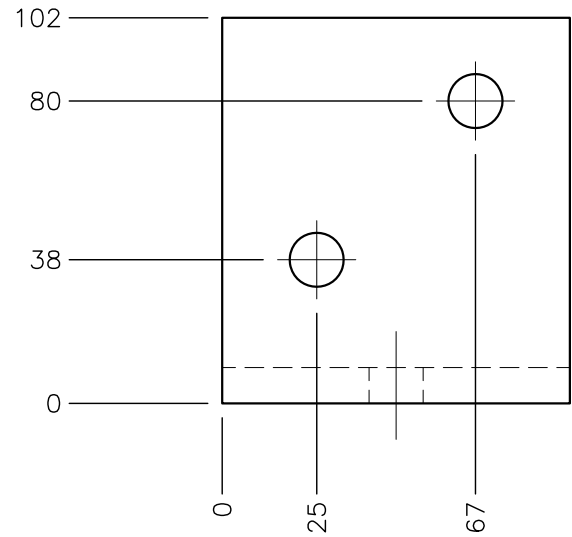


ENG. RECORD No: 60-01321	APP'D:
--------------------------	--------

0	ISSUED FOR CONSTRUCTION	PJS	12SEP17
REV	DESCRIPTION	DWN CHK	DATE
WESTOWER™ COMMUNICATIONS LTD			
HATCH FRAME ANGLE			
CANADIAN COAST GUARD			
PLATFORM REPLACEMENT			
MULGRAVE RANGE TOWER			
SITE CODE:	DATE :	12SEP17	
WTC CODE:	DWN:	PJS	CHK:
JOB No: 60-01321	DWG No: 601321G		

PROCEDURE	BY	DATE	CHECK	DATE
FABRICATION				
TACK				
WELD				

9/19/2017 1:36:02 PM
 COPYRIGHT: DUPLICATION, RECORDING, USE OR DISCLOSURE PROHIBITED WITHOUT WRITTEN AUTHORIZATION OF WestTower Communications LTD.



MK	QTY	DESCRIPTION	LENGTH	REMARKS	REV	WT
601321H	1	L 102x102x9.5 ALUMINUM	92		0	0.4

WGT(kg): 0.4
HOLES: 9/16"Ø U.N.O.
MATERIAL: 6351-T6-ASTM-B221-65
FINISH: NONE

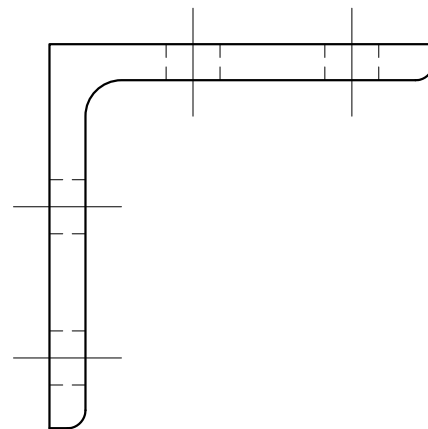
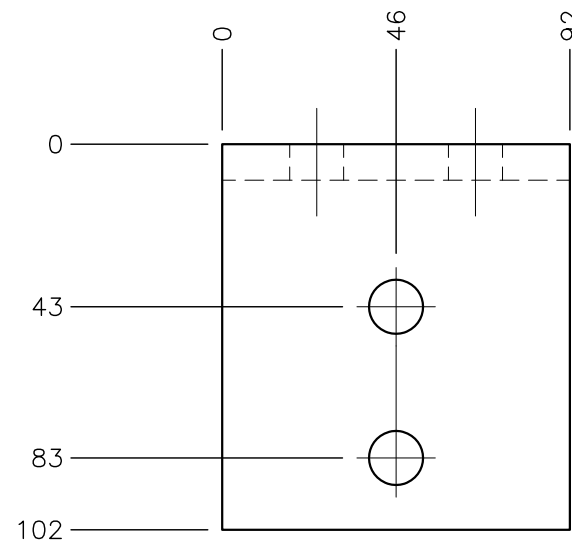
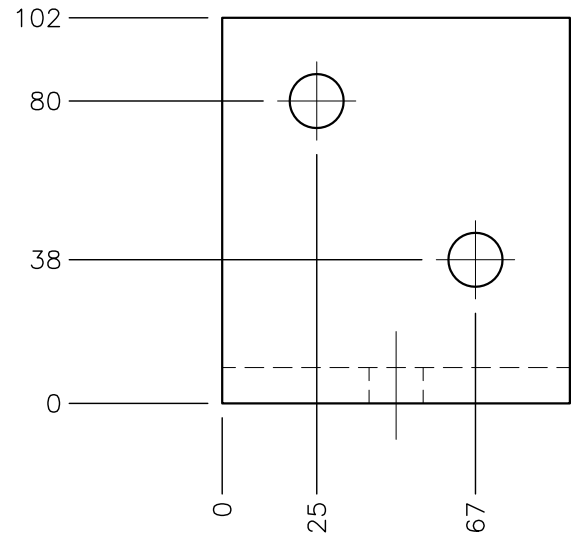


ENG. RECORD No: 60-01321	APP'D:
---------------------------------	--------

0	ISSUED FOR CONSTRUCTION	PJS	12SEP17
REV	DESCRIPTION	DWN CHK	DATE
WESTOWER COMMUNICATIONS LTD			
PLATFORM CLIP ANGLE			
CANADIAN COAST GUARD			
PLATFORM REPLACEMENT			
MULGRAVE RANGE TOWER			
SITE CODE:	DATE :	12SEP17	
WTC CODE:	DWN:	PJS	CHK:
JOB No: 60-01321	DWG No: 601321H		

PROCEDURE	BY	DATE	CHECK	DATE
FABRICATION				
TACK				
WELD				

9/19/2017 1:36:05 PM
 COPYRIGHT: DUPLICATION, RECORDING, USE OR DISCLOSURE PROHIBITED WITHOUT WRITTEN AUTHORIZATION OF WestTower Communications LTD.



601321J	1	L 102x102x9.5 ALUMINUM	92		0	0.4
MK	QTY	DESCRIPTION	LENGTH	REMARKS	REV	WT

WGT(kg): **0.4**
 HOLES: **9/16"Ø U.N.O.**
 MATERIAL: **6351-T6-ASTM-B221-65**
 FINISH: **NONE**



APP'D: _____

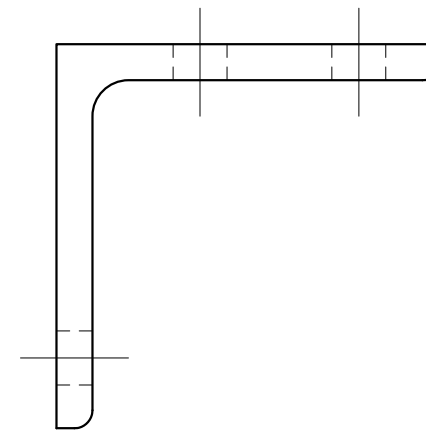
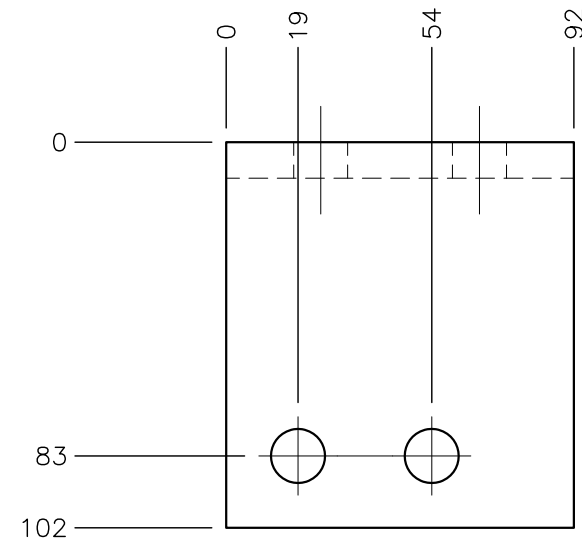
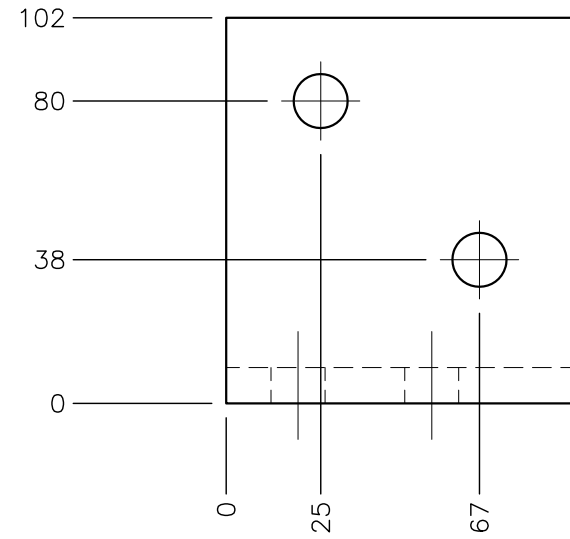
ENG. RECORD No: **60-01321**

0	ISSUED FOR CONSTRUCTION	PJS	12SEP17
REV	DESCRIPTION	DWN CHK	DATE
WESTOWER COMMUNICATIONS LTD			
PLATFORM CLIP ANGLE			
CANADIAN COAST GUARD			
PLATFORM REPLACEMENT			
MULGRAVE RANGE TOWER			
SITE CODE:	DATE :	12SEP17	
WTC CODE:	DWN:	PJS	CHK:
JOB No: 60-01321	DWG No: 601321J		

PROCEDURE	BY	DATE	CHECK	DATE
FABRICATION				
TACK				
WELD				

9/19/2017 1:36:08 PM
 COPYRIGHT: DUPLICATION, RECORDING, USE OR DISCLOSURE PROHIBITED WITHOUT WRITTEN AUTHORIZATION OF WestTower Communications LTD.

MK	QTY	DESCRIPTION	LENGTH	REMARKS	REV	WT
601321K	1	L 102x102x9.5 ALUMINUM	92		0	0.4



WGT(kg): 0.4
HOLES: 9/16"Ø U.N.O.
MATERIAL: 6351-T6-ASTM-B221-65
FINISH: NONE



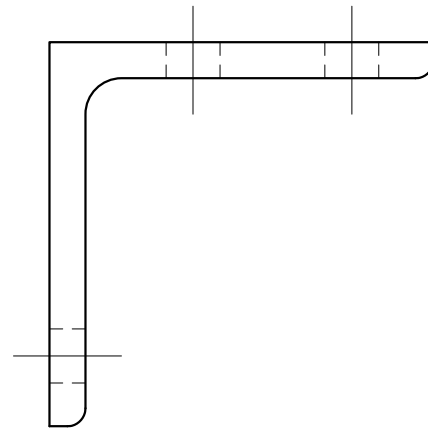
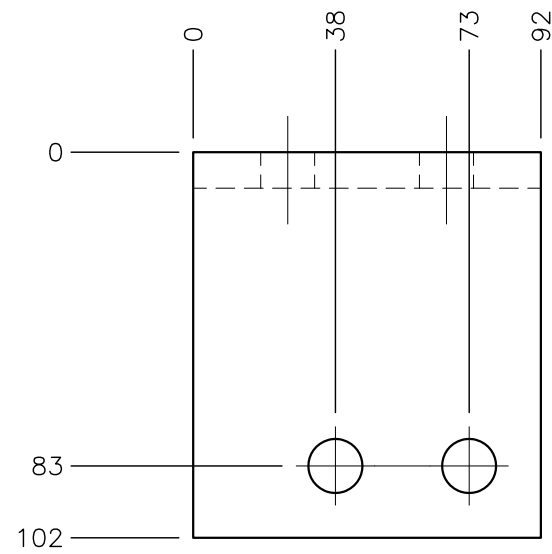
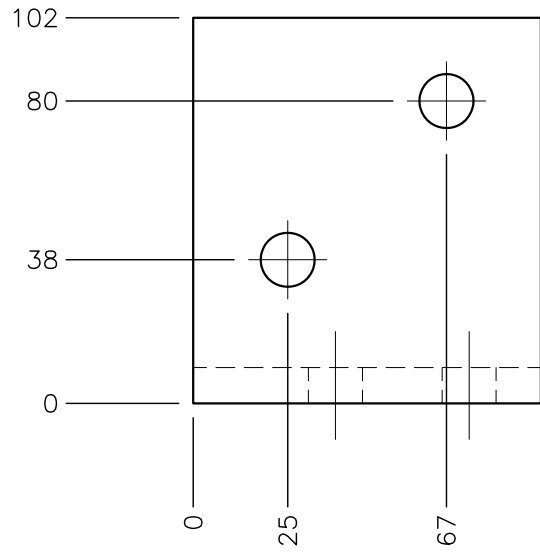
0	ISSUED FOR CONSTRUCTION	PJS	12SEP17
	DESCRIPTION	DWN CHK	DATE
WESTOWER COMMUNICATIONS LTD			
PLATFORM CLIP ANGLE			
CANADIAN COAST GUARD			
PLATFORM REPLACEMENT			
MULGRAVE RANGE TOWER			
SITE CODE:	DATE :	12SEP17	
WTC CODE:	DWN:	PJS	CHK:
JOB No:	60-01321	DWG No:	601321K

ENG. RECORD No: **60-01321** APP'D:

PROCEDURE	BY	DATE	CHECK	DATE
FABRICATION				
TACK				
WELD				

9/19/2017 1:36:11 PM
 COPYRIGHT: DUPLICATION, RECORDING, USE OR DISCLOSURE PROHIBITED WITHOUT WRITTEN AUTHORIZATION OF WestTower Communications LTD.

601321L	1	L 102x102x9.5 ALUMINUM	92		0	0.4
MK	QTY	DESCRIPTION	LENGTH	REMARKS	REV	WT



WGT(kg): 0.4
HOLES: 9/16"Ø U.N.O.
MATERIAL: 6351-T6-ASTM-B221-65
FINISH: NONE



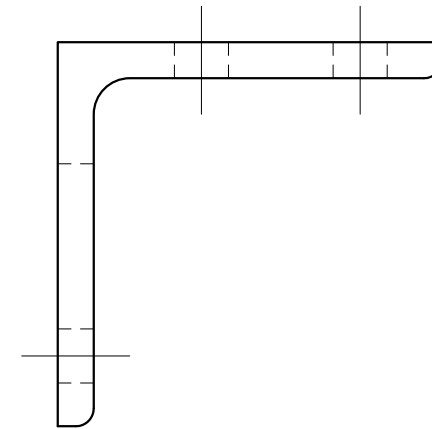
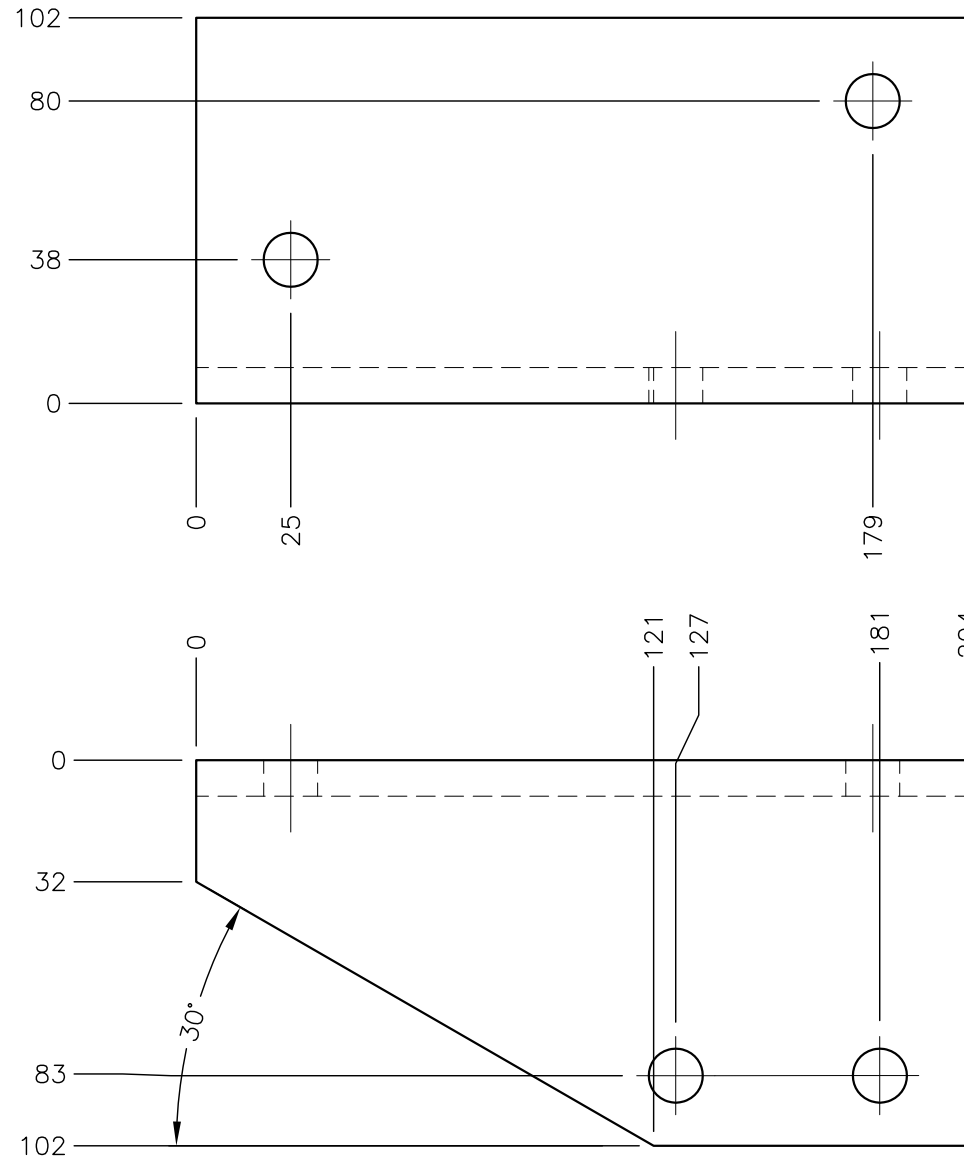
ENG. RECORD No: 60-01321	APP'D:
---------------------------------	--------

0	ISSUED FOR CONSTRUCTION	PJS	12SEP17
REV	DESCRIPTION	DWN CHK	DATE
WESTOWER COMMUNICATIONS LTD			
PLATFORM CLIP ANGLE			
CANADIAN COAST GUARD			
PLATFORM REPLACEMENT			
MULGRAVE RANGE TOWER			
SITE CODE:	DATE :	12SEP17	
WTC CODE:	DWN:	PJS	CHK:
JOB No:	60-01321	DWG No:	601321L

PROCEDURE	BY	DATE	CHECK	DATE
FABRICATION				
TACK				
WELD				

9/19/2017 1:36:14 PM
 COPYRIGHT: DUPLICATION, RECORDING, USE OR DISCLOSURE PROHIBITED WITHOUT WRITTEN AUTHORIZATION OF WestTower Communications LTD.

601321M	1	L 102x102x9.5 ALUMINUM	204		0	1.0
MK	QTY	DESCRIPTION	LENGTH	REMARKS	REV	WT



WGT(kg): 1.0
HOLES: 9/16"Ø U.N.O.
MATERIAL: 6351-T6-ASTM-B221-65
FINISH: NONE

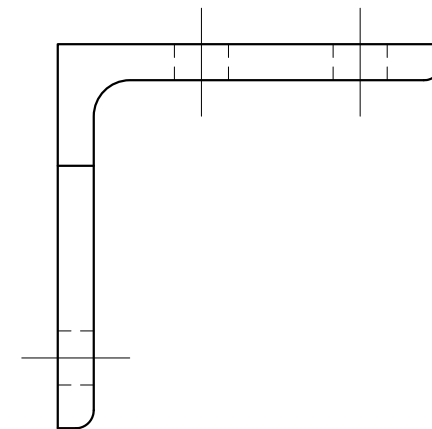
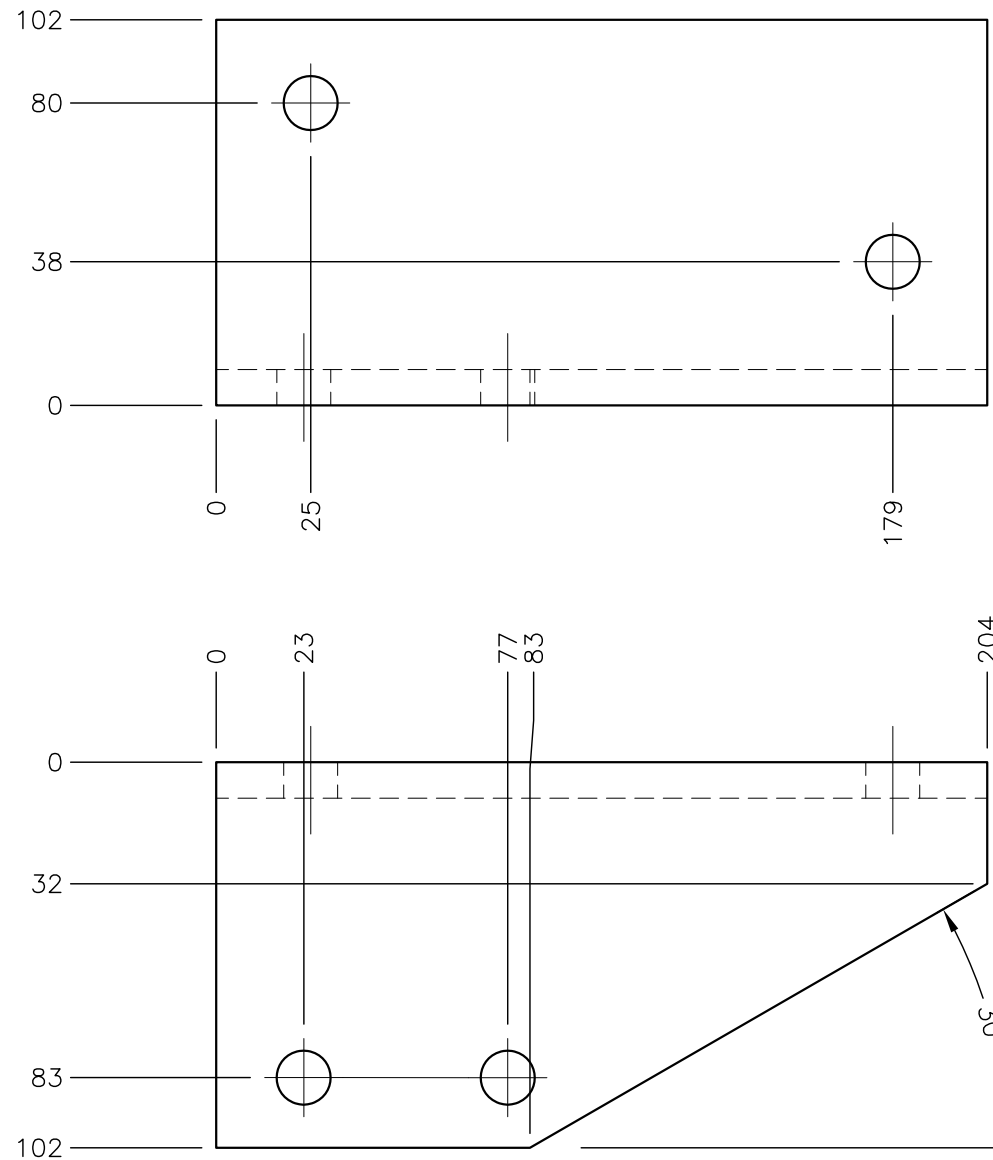


ENG. RECORD No: 60-01321	APP'D:
--------------------------	--------

0	ISSUED FOR CONSTRUCTION	PJS	12SEP17
REV	DESCRIPTION	DWN CHK	DATE
WESTOWER COMMUNICATIONS LTD			
PLATFORM CLIP ANGLE			
CANADIAN COAST GUARD			
PLATFORM REPLACEMENT			
MULGRAVE RANGE TOWER			
SITE CODE:	DATE :	12SEP17	
WTC CODE:	DWN:	PJS	CHK:
JOB No: 60-01321	DWG No: 601321M		

PROCEDURE	BY	DATE	CHECK	DATE
FABRICATION				
TACK				
WELD				

9/19/2017 1:36:18 PM
 COPYRIGHT: DUPLICATION, RECORDING, USE OR DISCLOSURE PROHIBITED WITHOUT WRITTEN AUTHORIZATION OF WestTower Communications LTD.



601321N	1	L 102x102x9.5 ALUMINUM	204		0	1.0
MK	QTY	DESCRIPTION	LENGTH	REMARKS	REV	WT

WGT(kg): **1.0**
 HOLES: **9/16"Ø U.N.O.**
 MATERIAL: **6351-T6-ASTM-B221-65**
 FINISH: **NONE**



APP'D: _____

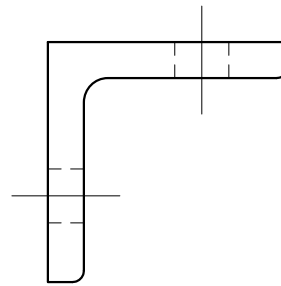
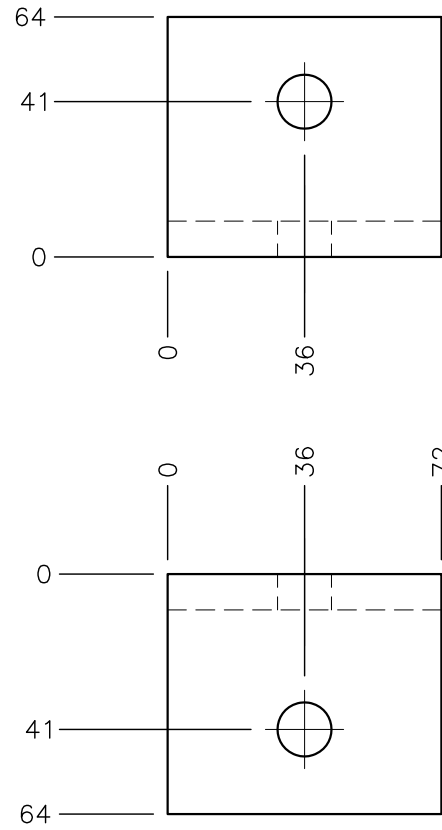
ENG. RECORD No: **60-01321**

0	ISSUED FOR CONSTRUCTION	PJS	12SEP17
REV	DESCRIPTION	DWN CHK	DATE
WESTOWER COMMUNICATIONS LTD			
PLATFORM CLIP ANGLE			
CANADIAN COAST GUARD			
PLATFORM REPLACEMENT			
MULGRAVE RANGE TOWER			
SITE CODE:	DATE :	12SEP17	
WTC CODE:	DWN:	PJS	CHK:
JOB No:	60-01321	DWG No:	601321N

PROCEDURE	BY	DATE	CHECK	DATE
FABRICATION				
TACK				
WELD				

9/19/2017 1:36:21 PM
 COPYRIGHT: DUPLICATION, RECORDING, USE OR DISCLOSURE PROHIBITED WITHOUT WRITTEN AUTHORIZATION OF WestTower Communications LTD.

601321P	4	L 64x64x9.5 ALUMINUM	72		0	0.8
MK	QTY	DESCRIPTION	LENGTH	REMARKS	REV	WT



WGT(kg): 0.8
HOLES: 9/16"Ø U.N.O.
MATERIAL: 6351-T6-ASTM-B221-65
FINISH: NONE

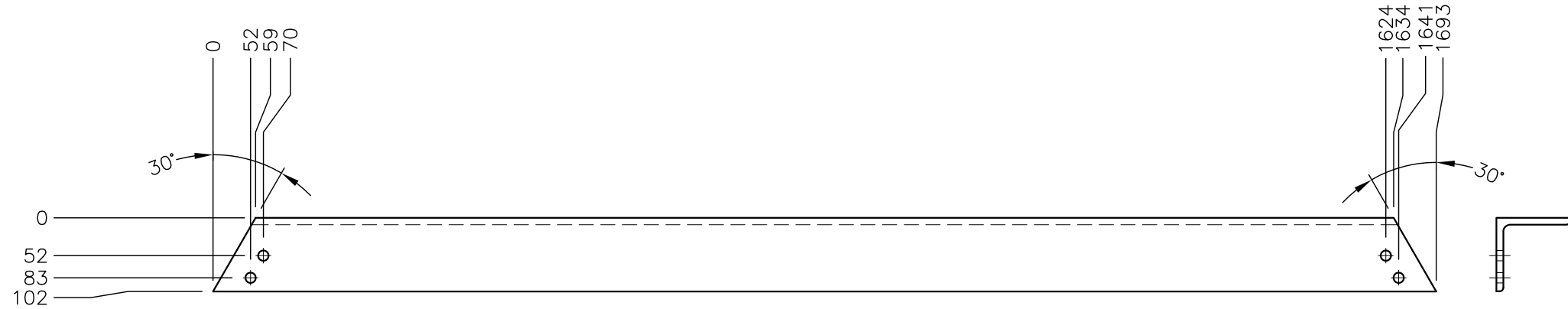


ENG. RECORD No: 60-01321	APP'D:
---------------------------------	--------

0	ISSUED FOR CONSTRUCTION	PJS	12SEP17
REV	DESCRIPTION	DWN CHK	DATE
WESTOWER COMMUNICATIONS LTD			
HATCH CLIP ANGLE			
CANADIAN COAST GUARD			
PLATFORM REPLACEMENT			
MULGRAVE RANGE TOWER			
SITE CODE:	DATE :	12SEP17	
WTC CODE:	DWN:	PJS	CHK:
JOB No: 60-01321	DWG No: 601321P		

PROCEDURE	BY	DATE	CHECK	DATE
FABRICATION				
TACK				
WELD				

9/19/2017 1:36:24 PM
 COPYRIGHT: DUPLICATION, RECORDING, USE OR DISCLOSURE PROHIBITED WITHOUT WRITTEN AUTHORIZATION OF WestTower Communications LTD.



601321Q	1	L 102x102x9.5 ALUMINUM	1693		0	8.5
MK	QTY	DESCRIPTION	LENGTH	REMARKS	REV	WT

WGT(kg): 8.5
HOLES: 9/16"Ø U.N.O.
MATERIAL: 6351-T6-ASTM-B221-65
FINISH: NONE

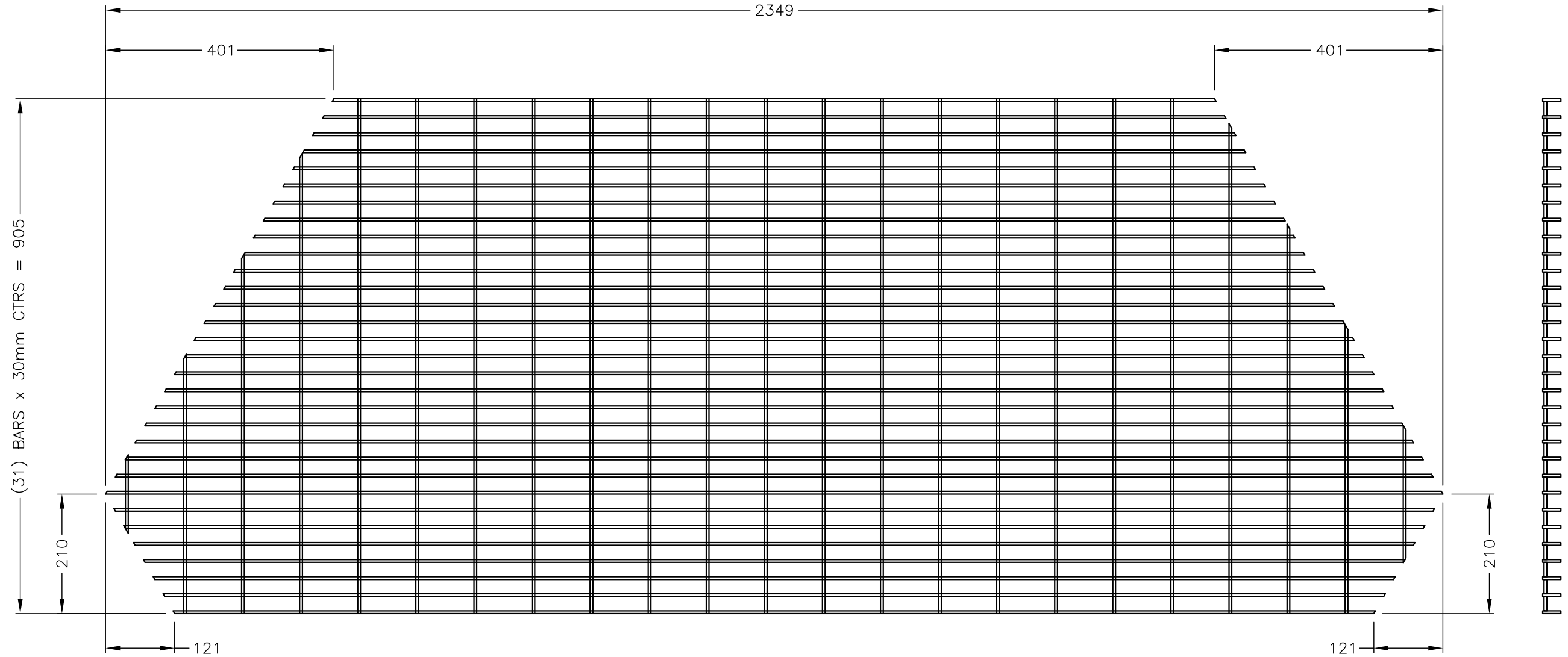


ENG. RECORD No: 60-01321	APP'D:
---------------------------------	--------

0	ISSUED FOR CONSTRUCTION	PJS	12SEP17
REV	DESCRIPTION	DWN CHK	DATE
WESTOWER COMMUNICATIONS LTD			
PLATFORM SUPPORT ANGLE			
CANADIAN COAST GUARD			
PLATFORM REPLACEMENT			
MULGRAVE RANGE TOWER			
SITE CODE:	DATE :	12SEP17	
WTC CODE:	DWN:	PJS	CHK:
JOB No:	60-01321	DWG No:	601321Q

PROCEDURE	BY	DATE	CHECK	DATE
FABRICATION				
TACK				
WELD				

9/19/2017 1:36:27 PM
 COPYRIGHT: DUPLICATION, RECORDING, USE OR DISCLOSURE PROHIBITED WITHOUT WRITTEN AUTHORIZATION OF WestTower Communications LTD.



601321R	1	TYPE 30-102 ALUMINUM BAR GRATING	2349		0	34.6
MK	QTY	DESCRIPTION	LENGTH	REMARKS	REV	WT

WGT(kg): **34.6**
 HOLES: **9/16"Ø U.N.O.**
 MATERIAL: **6351-T6-ASTM-B221-65 U.N.O.**
 FINISH: **NONE**

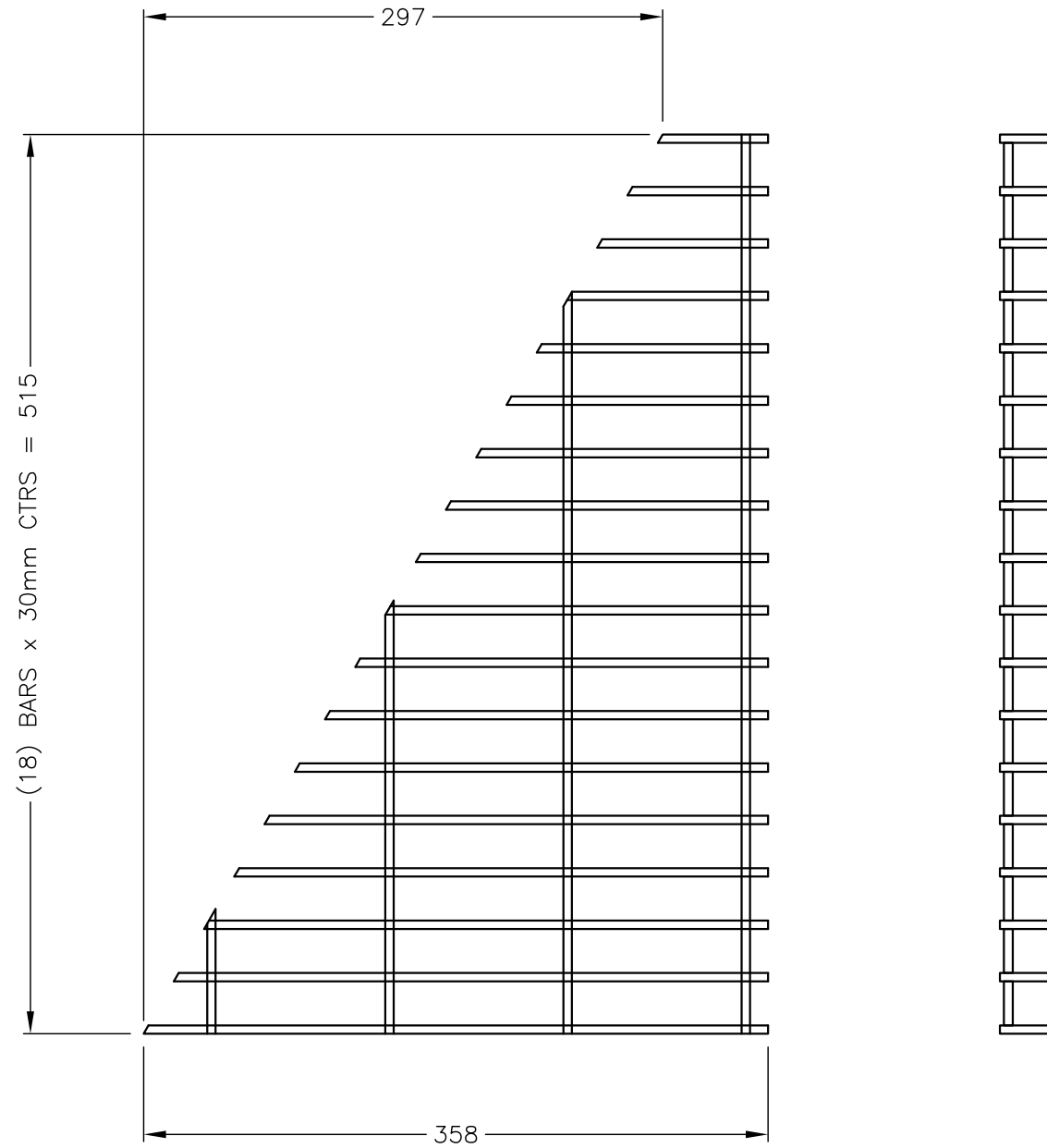


ENG. RECORD No: **60-01321** APP'D:

0	ISSUED FOR CONSTRUCTION	PJS	12SEP17
REV	DESCRIPTION	DWN CHK	DATE
WESTOWER COMMUNICATIONS LTD			
PLATFORM GRATING CANADIAN COAST GUARD PLATFORM REPLACEMENT MULGRAVE RANGE TOWER			
SITE CODE:	DATE : 12SEP17		
WTC CODE:	DWN: PJS	CHK:	
JOB No: 60-01321	DWG No: 601321R		

PROCEDURE	BY	DATE	CHECK	DATE
FABRICATION				
TACK				
WELD				

9/19/2017 1:36:30 PM
 COPYRIGHT: DUPLICATION, RECORDING, USE OR DISCLOSURE PROHIBITED WITHOUT WRITTEN AUTHORIZATION OF WestTower Communications LTD.



MK	QTY	DESCRIPTION	LENGTH	REMARKS	REV	WT
601321T	1	TYPE 30-102 ALUMINUM BAR GRATING	358		0	2.0

WGT(kg): 2.0
 HOLES: 9/16"Ø U.N.O.
 MATERIAL: 6351-T6-ASTM-B221-65 U.N.O.
 FINISH: NONE

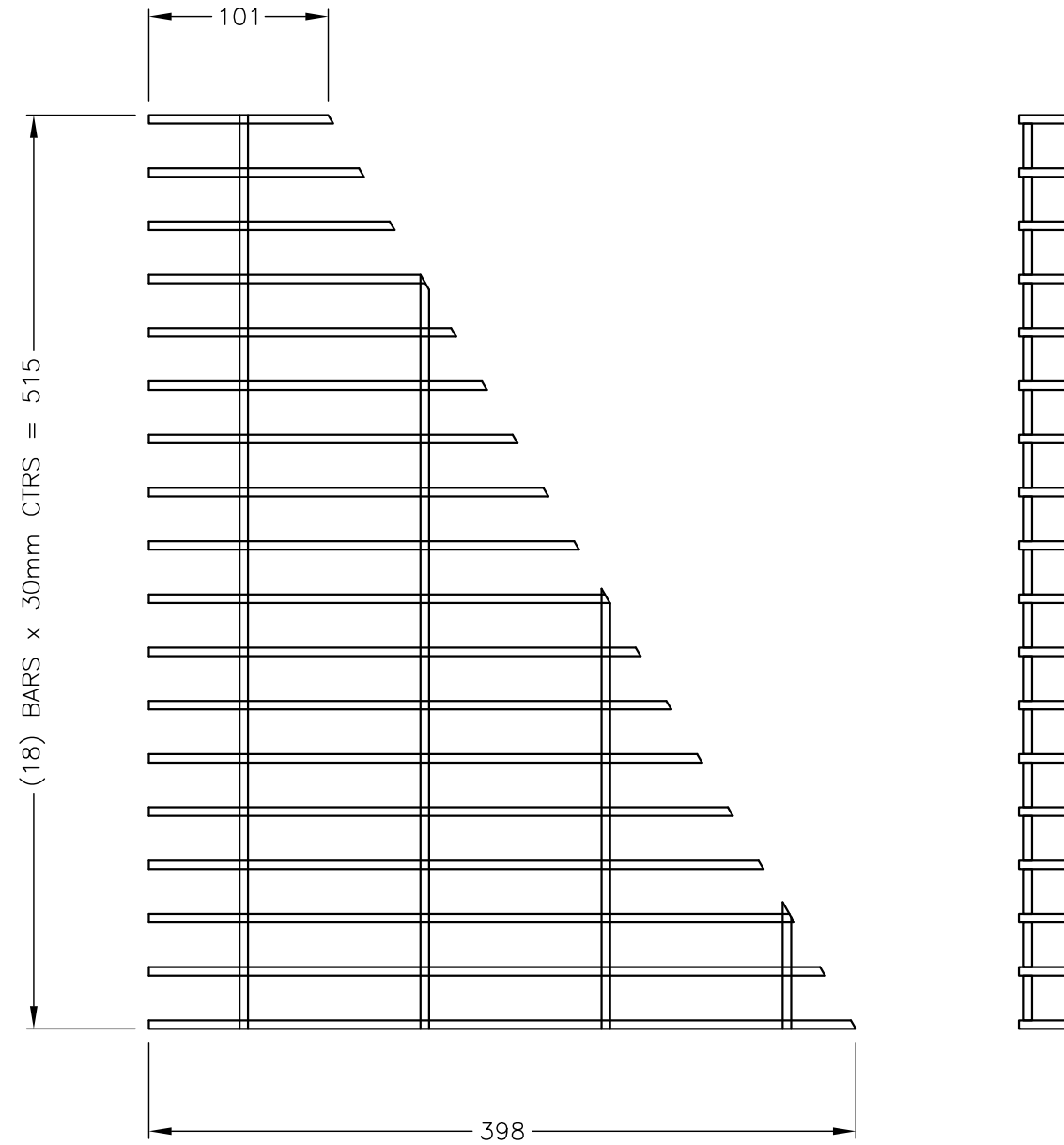


0	ISSUED FOR CONSTRUCTION	PJS	12SEP17
	DESCRIPTION	DWN CHK	DATE
PLATFORM GRATING CANADIAN COAST GUARD PLATFORM REPLACEMENT MULGRAVE RANGE TOWER			
SITE CODE:		DATE : 12SEP17	
WTC CODE:		DWN: PJS	CHK:
JOB No: 60-01321		DWG No: 601321T	

ENG. RECORD No: 60-01321 APP'D:

PROCEDURE	BY	DATE	CHECK	DATE
FABRICATION				
TACK				
WELD				

9/19/2017 1:36:34 PM
 COPYRIGHT: DUPLICATION, RECORDING, USE OR DISCLOSURE PROHIBITED WITHOUT WRITTEN AUTHORIZATION OF WestTower Communications LTD.



601321U	1	TYPE 30-102 ALUMINUM BAR GRATING	398		0	2.4
MK	QTY	DESCRIPTION	LENGTH	REMARKS	REV	WT

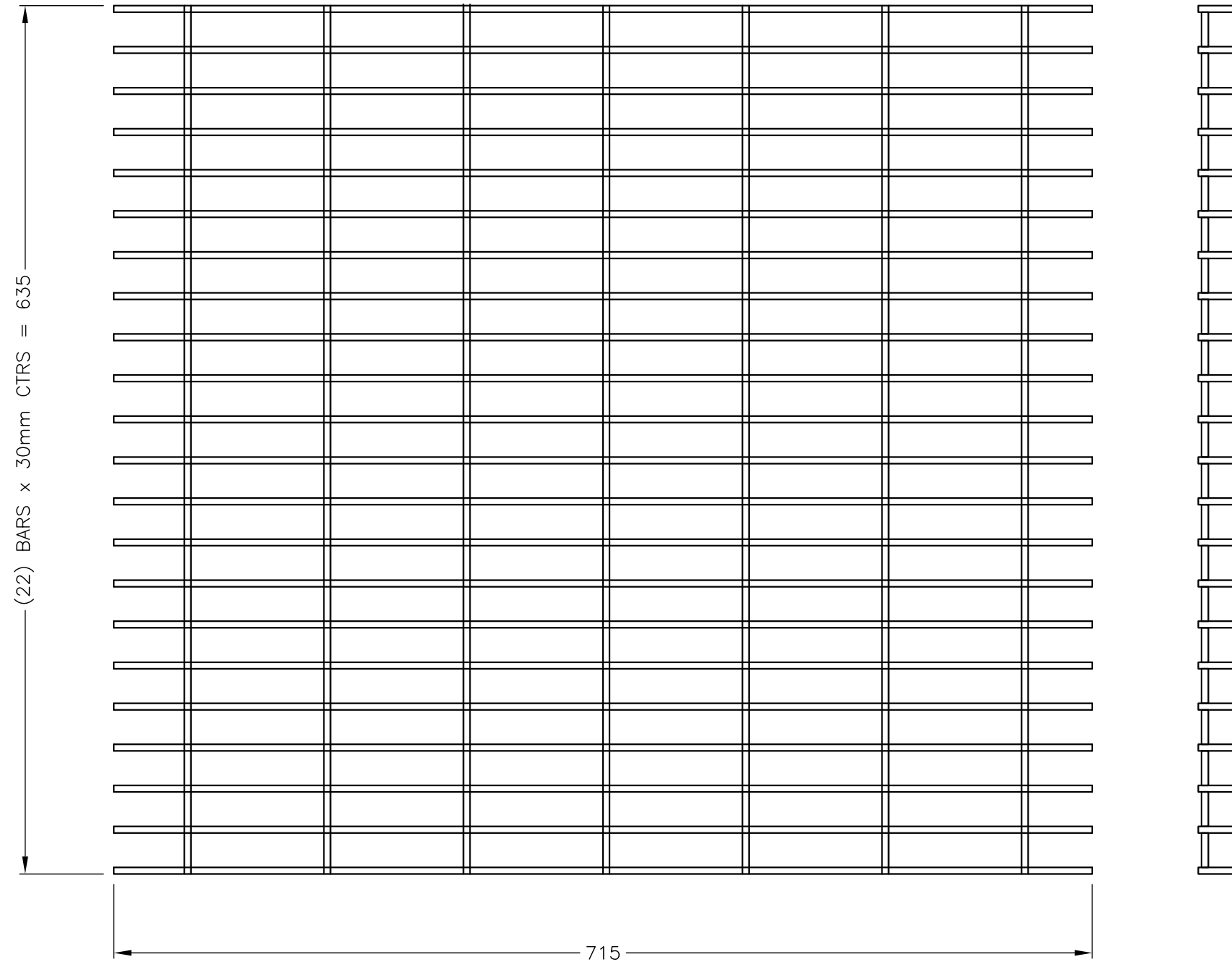
WGT(kg): 2.4
HOLES: 9/16"Ø U.N.O.
MATERIAL: 6351-T6-ASTM-B221-65 U.N.O.
FINISH: NONE



	0	ISSUED FOR CONSTRUCTION	PJS	12SEP17
	REV	DESCRIPTION	DWN CHK	DATE
	PLATFORM GRATING CANADIAN COAST GUARD PLATFORM REPLACEMENT MULGRAVE RANGE TOWER			
SITE CODE:		DATE : 12SEP17		
WTC CODE:		DWN: PJS	CHK:	
ENG. RECORD No: 60-01321		APP'D:		
JOB No: 60-01321		DWG No: 601321U		

PROCEDURE	BY	DATE	CHECK	DATE
FABRICATION				
TACK				
WELD				

9/19/2017 1:36:37 PM
 COPYRIGHT: DUPLICATION, RECORDING, USE OR DISCLOSURE PROHIBITED WITHOUT WRITTEN AUTHORIZATION OF Westower Communications LTD.



601321V	1	TYPE 30-102 ALUMINUM BAR GRATING	715		0	8.6
MK	QTY	DESCRIPTION	LENGTH	REMARKS	REV	WT

WGT(kg): **8.6**
 HOLES: **9/16"Ø U.N.O.**
 MATERIAL: **6351-T6-ASTM-B221-65 U.N.O.**
 FINISH: **NONE**

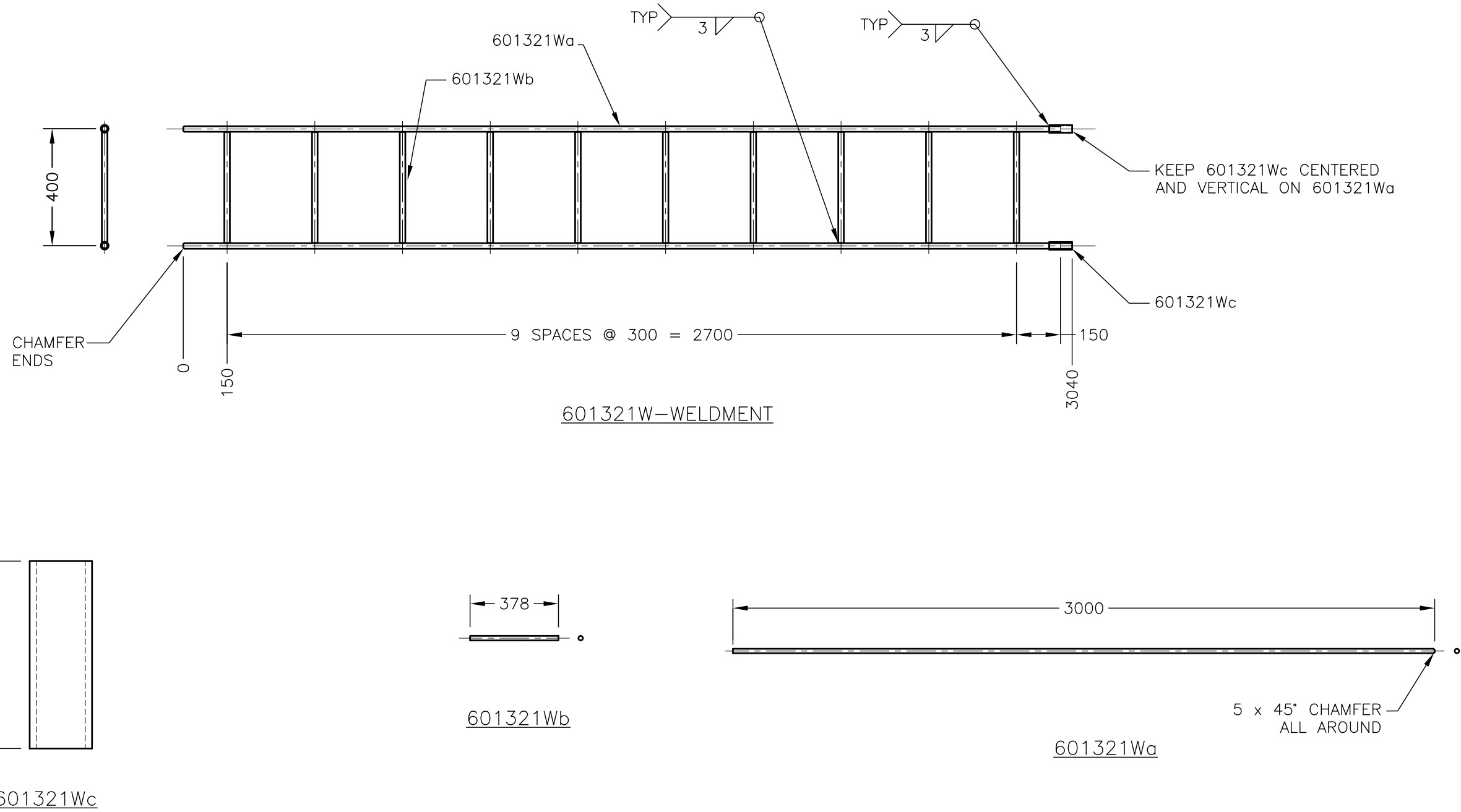


0	ISSUED FOR CONSTRUCTION	PJS	12SEP17
REV	DESCRIPTION	DWN CHK	DATE
WESTOWER COMMUNICATIONS LTD			
PLATFORM GRATING			
CANADIAN COAST GUARD			
PLATFORM REPLACEMENT			
MULGRAVE RANGE TOWER			
SITE CODE:	DATE :	12SEP17	
WTC CODE:	DWN:	PJS	CHK:
JOB No: 60-01321	DWG No: 601321V		

ENG. RECORD No: **60-01321** APP'D:

PROCEDURE	BY	DATE	CHECK	DATE
FABRICATION				
TACK				
WELD				

9/19/2017 1:36:40 PM COPYRIGHT: DUPLICATION, RECORDING, USE OR DISCLOSURE PROHIBITED WITHOUT WRITTEN AUTHORIZATION OF WestTower Communications LTD.



MK	QTY	DESCRIPTION	LENGTH	REMARKS	REV	WT
601321Wc	14	HSS 27 O.D. x 3 WALL	80	ASTM A500 GR.C	0	1.4
601321Wb	70	19 SR	378		0	56.0
601321Wa	14	19 SR	3000		0	93.8
601321W	7	WELDMENT	3040		0	151.2

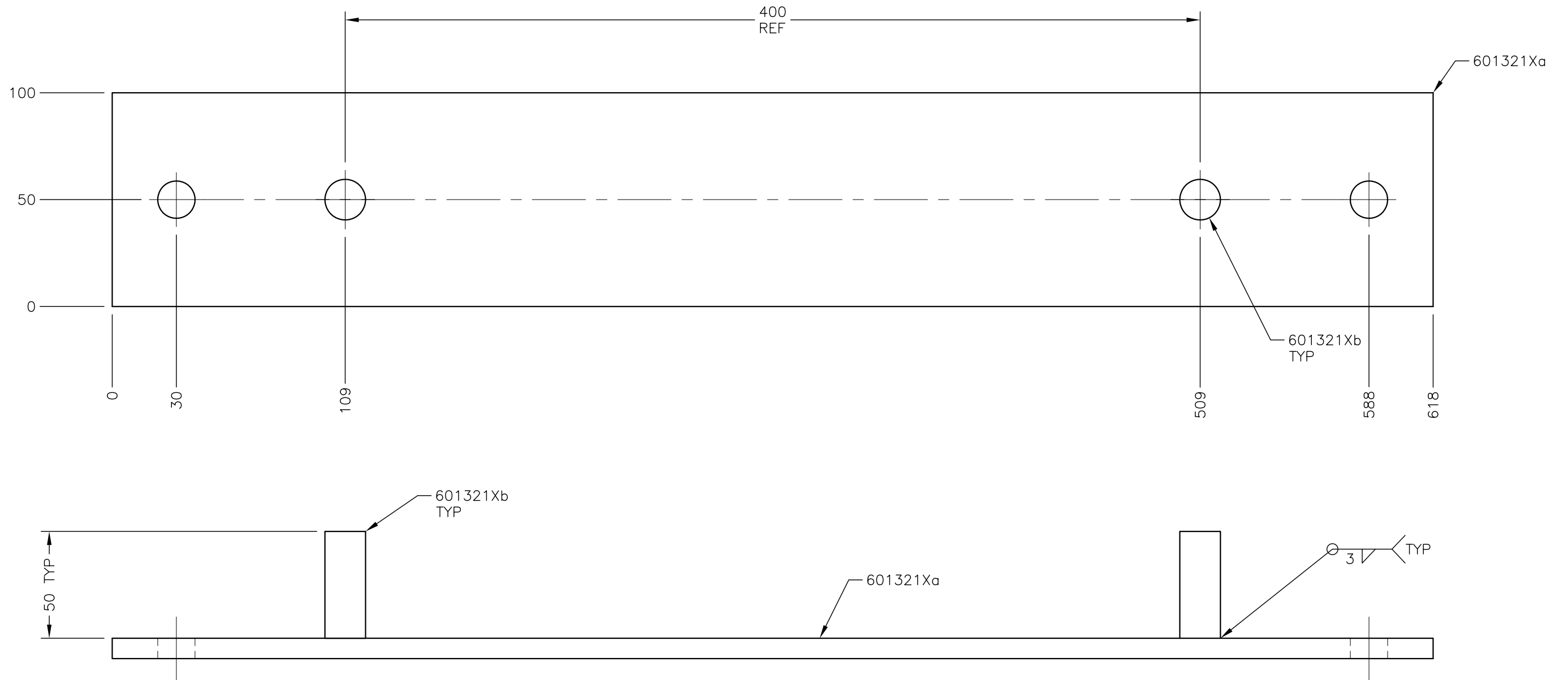
WGT(kg): 151.2
HOLES: 9/16"Ø U.N.O.
MATERIAL: 6351-T6-ASTM-B221-65 U.N.O.
FINISH: NONE



0	ISSUED FOR CONSTRUCTION	PJS	12SEP17
REV	DESCRIPTION	DWN CHK	DATE
WESTOWER COMMUNICATIONS LTD			
LADDER WELDMENT			
CANADIAN COAST GUARD			
PLATFORM REPLACEMENT			
MULGRAVE RANGE TOWER			
SITE CODE:		DATE : 12SEP17	
WTC CODE:		DWN: PJS	CHK:
ENG. RECORD No: 60-01321		APP'D:	
JOB No: 60-01321		DWG No: 601321W	

PROCEDURE	BY	DATE	CHECK	DATE
FABRICATION				
TACK				
WELD				

9/19/2017 1:36:43 PM COPYRIGHT: DUPLICATION, RECORDING, USE OR DISCLOSURE PROHIBITED WITHOUT WRITTEN AUTHORIZATION OF Westower Communications LTD.



MK	QTY	DESCRIPTION	LENGTH	REMARKS	REV	WT
601321Xb	2	S.R. 19	50		0	0.2
601321Xa	1	PL 9.5x100	618		0	4.6
601321X	1	WELDMENT	618		0	4.8

WGT(kg): **4.8**
 HOLES: **11/16"Ø U.N.O.**
 MATERIAL: **G40.21, 300W U.N.O.**
 FINISH: **NONE**

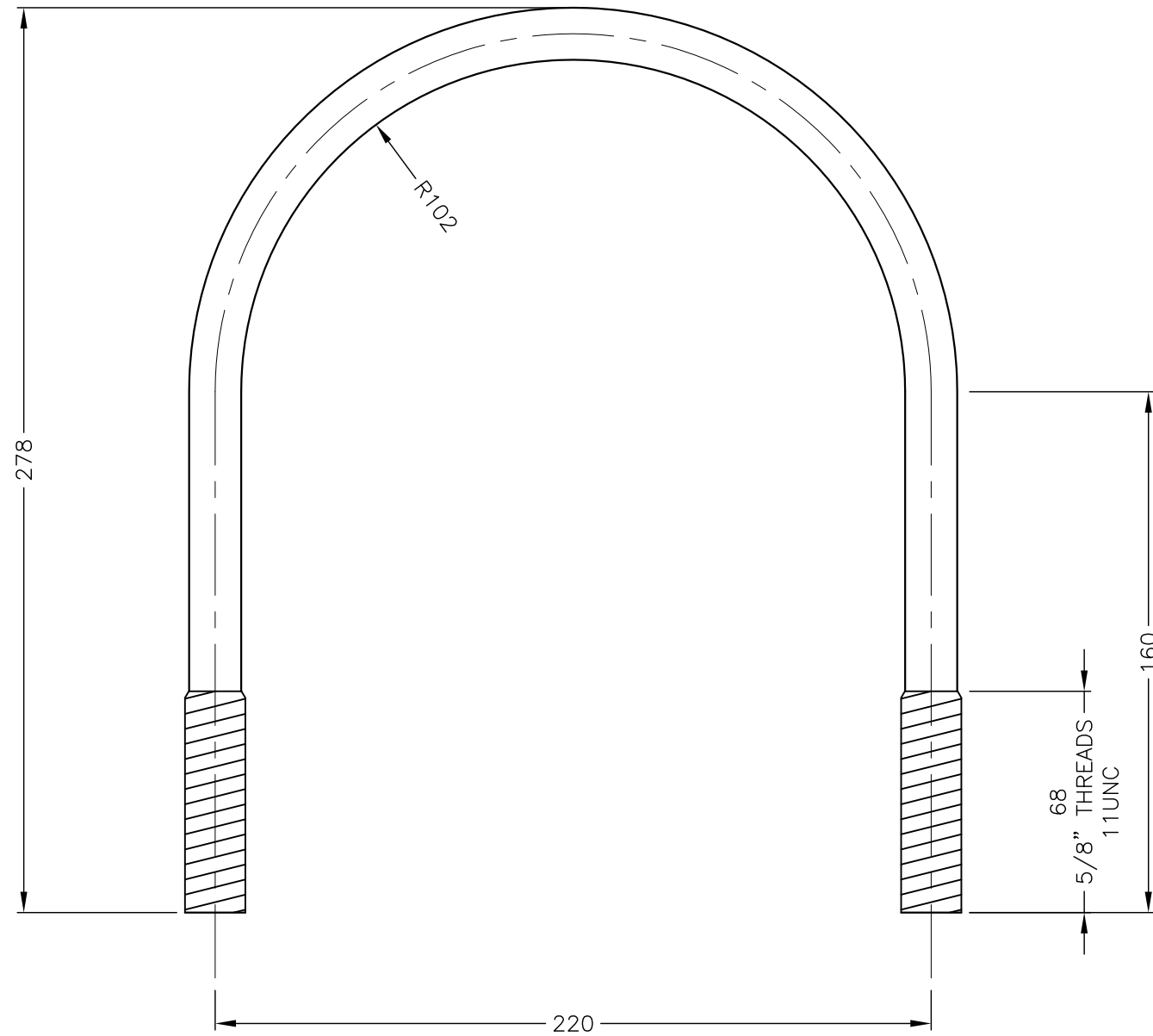


ENG. RECORD No: **60-01321** APP'D:

0	ISSUED FOR CONSTRUCTION	PJS	12SEP17
REV	DESCRIPTION	DWN CHK	DATE
WESTOWER COMMUNICATIONS LTD			
LADDER BASE			
CANADIAN COAST GUARD			
PLATFORM REPLACEMENT			
MULGRAVE RANGE TOWER			
SITE CODE:		DATE : 12SEP17	
WTC CODE:		DWN: PJS	CHK:
JOB No: 60-01321		DWG No: 60601321X	

PROCEDURE	BY	DATE	CHECK	DATE
FABRICATION				
TACK				
WELD				

9/19/2017 1:36:46 PM
 COPYRIGHT: DUPLICATION, RECORDING, USE OR DISCLOSURE PROHIBITED WITHOUT WRITTEN AUTHORIZATION OF WestTower Communications LTD.



THREADS TO BE ROLLED FROM MIN 9/16"Ø SR

601321Z	13	SR 14	652		0	10.4
MK	QTY	DESCRIPTION	LENGTH	REMARKS	REV	WT

WGT(kg): 10.4
HOLES: 9/16"Ø U.N.O.
MATERIAL: ASTM A276 TYPE 316
FINISH: NONE



ENG. RECORD No: 60-01321		APP'D:
--------------------------	--	--------

0	ISSUED FOR CONSTRUCTION	PJS	12SEP17
REV	DESCRIPTION	DWN CHK	DATE
WESTOWER COMMUNICATIONS LTD			
STAINLESS STEEL U-BOLT CANADIAN COAST GUARD PLATFORM REPLACEMENT MULGRAVE RANGE TOWER			
SITE CODE:	DATE :	12SEP17	
WTC CODE:	DWN:	PJS	CHK:
JOB No: 60-01321	DWG No: 601321Z		