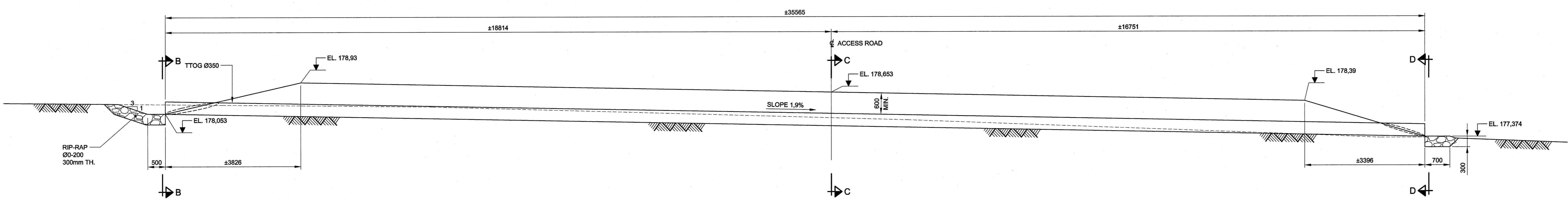
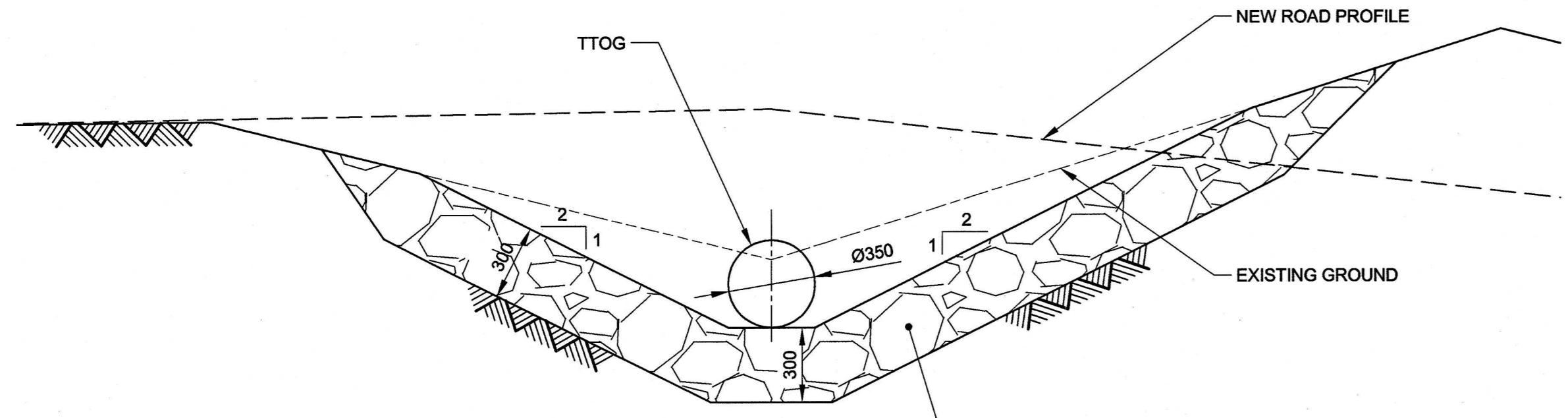


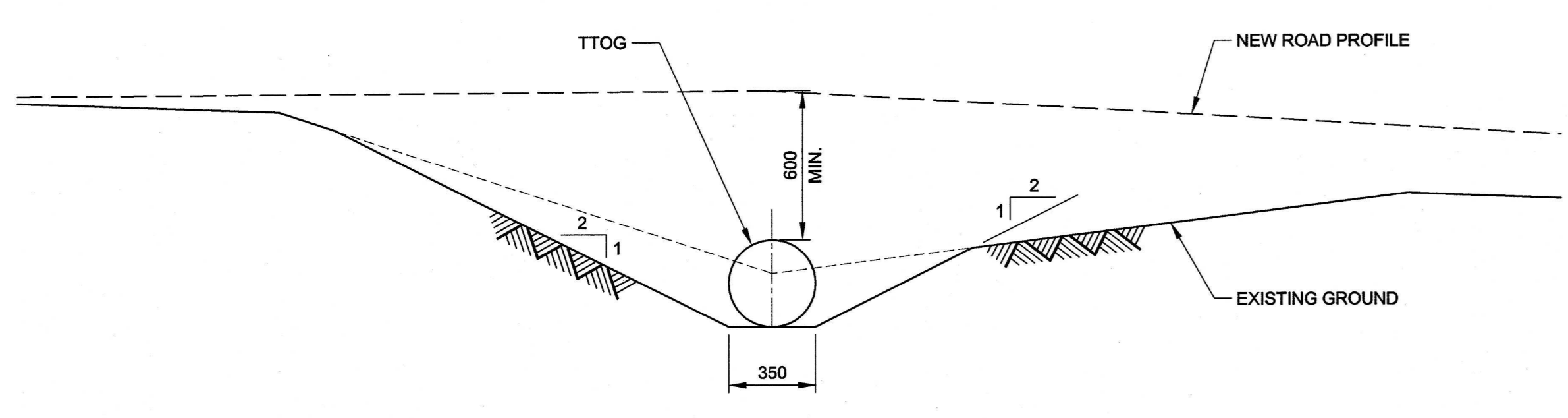
PLAN
1:50



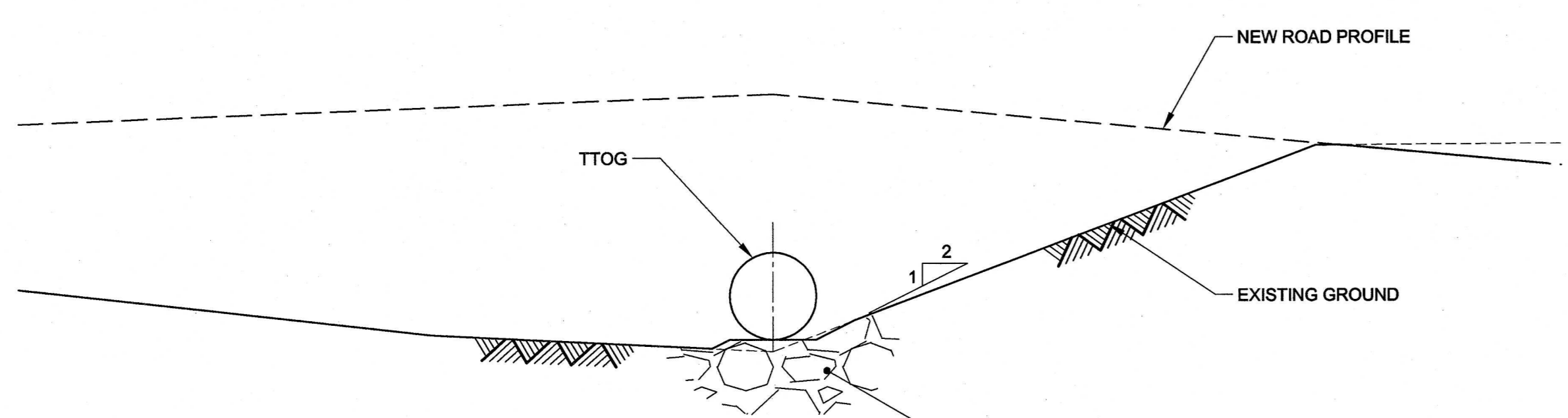
SECTION A-A
1:50



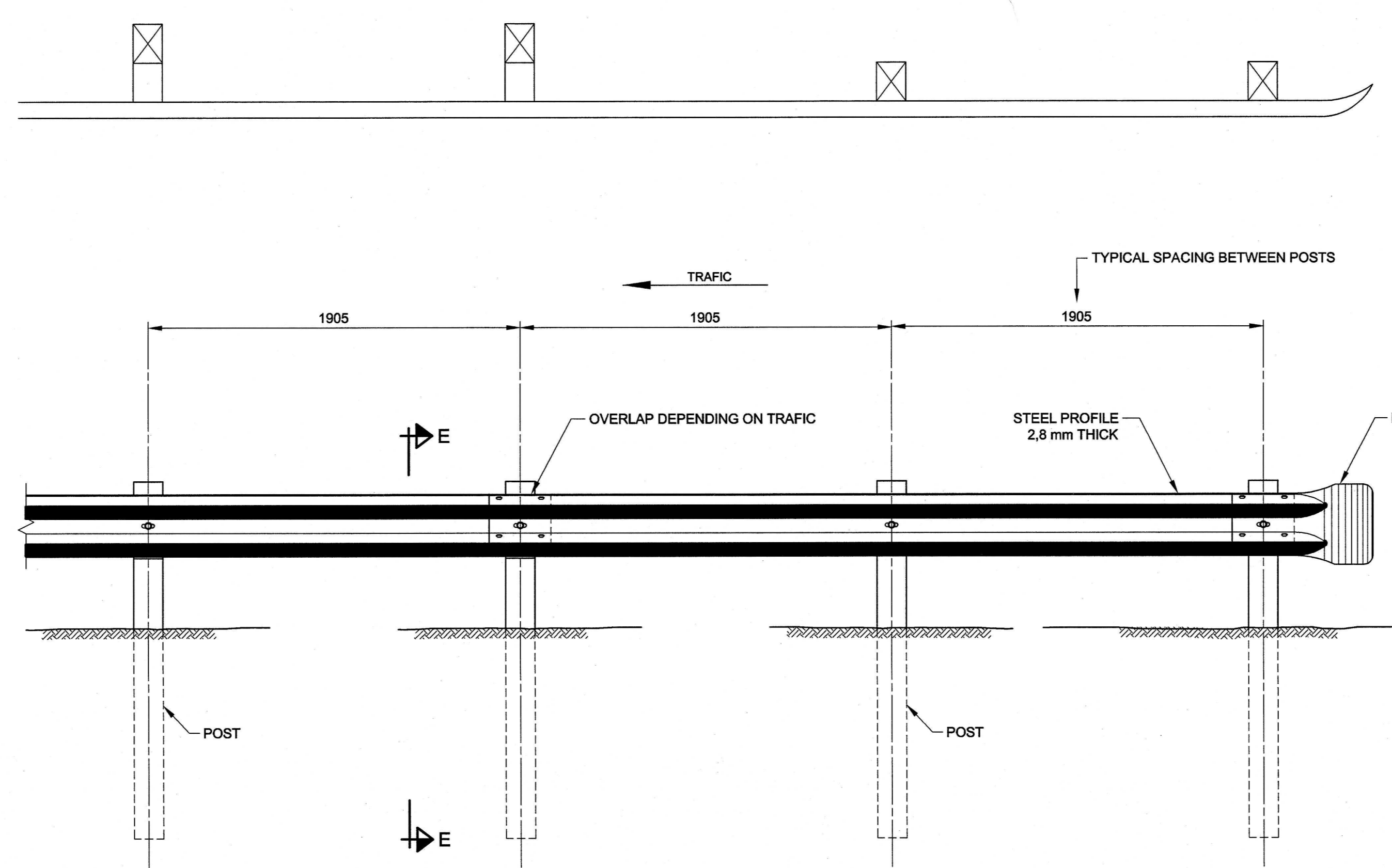
SECTION B-B
1:20



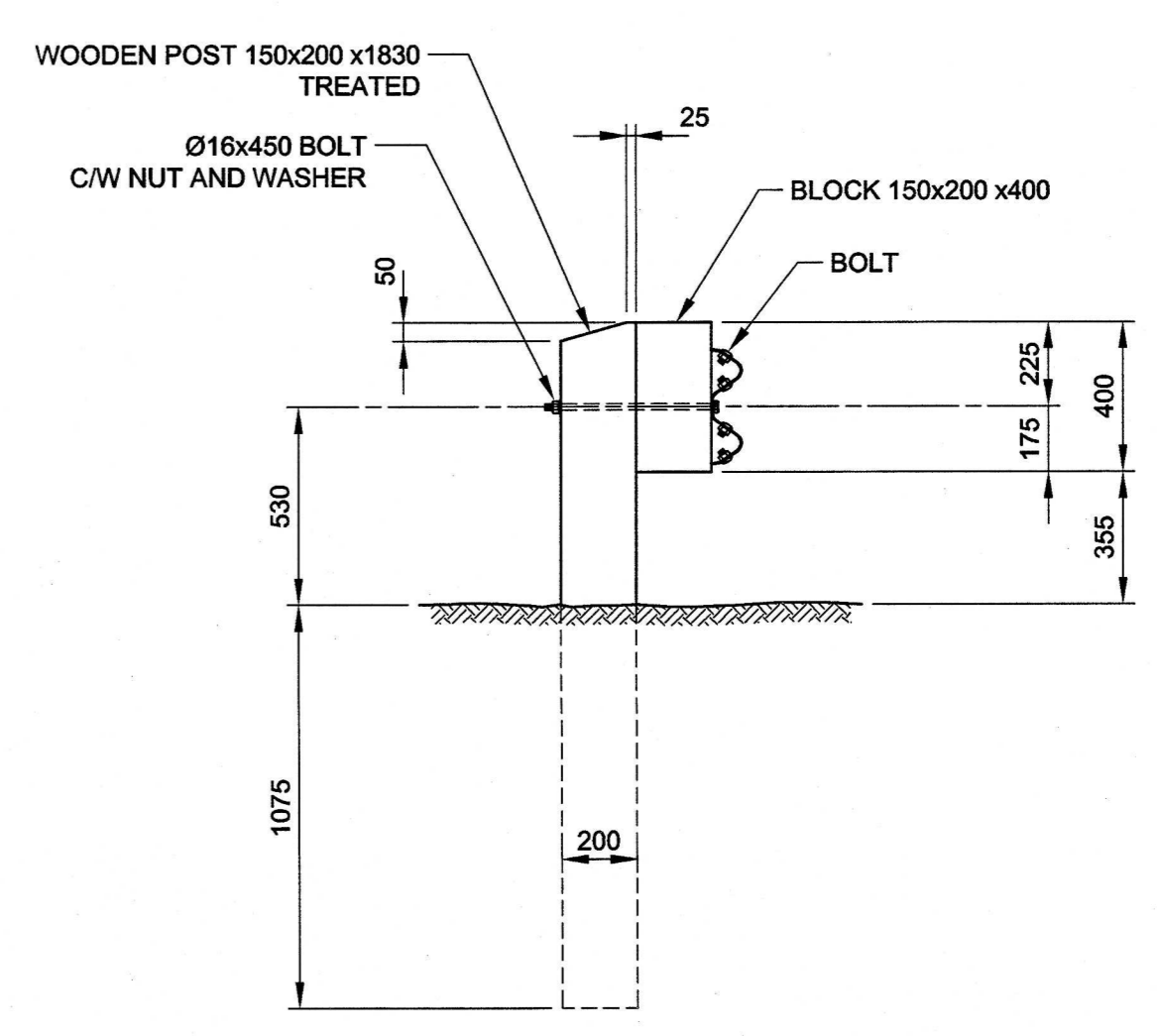
SECTION C-C
1:20



SECTION D-D
1:20



TYPICAL GUARDRAIL DETAIL
1:10



SECTION E-E
1:20

NOTES

- SEE DRAWING CV-002-01 FOR GENERAL NOTES, LEGEND AND ABBREVIATIONS.
- VEHICLE GUARDRAIL CONSTRUCTION IN ACCORDANCE TO OPSB 552 AND OPSB 512.143.

1	2018-02-22	ISSUED FOR TENDER	J.K.
0	2017-02-23	ISSUED FOR REVIEW	J.K.
no	date	issues and/or modifications	by

Parks Canada
 CIMA
 600-3400 du Souvenir Blvd
 Laval QC H7V 3Z2
 Phone: 514 337-2862
 Fax: 450 882-1013
 www.cima.ca
 ISO 9001

project		BOBS LAKE DAM REPLACEMENT BOLINGBROKE - ONTARIO	
title		CULVERT PIPE AND GUARDRAIL SECTIONS AND DETAILS	
drawn	I. ZIECK	scale	1:50
checked	J. CARON	date	2017-02-09
designed	Y. BERTON	reference	
approved	J. KONCZYNSKI		
A0138	A000492B	CV 002 03	1

2018-02-22 10:00:00 AM C:\Users\jcaron\OneDrive\Documents\A000492B\C002_03.dwg