

PRELIMINARY
NOT FOR CONSTRUCTION

DRAWING:

18-0217-001 A1	ADMIRAL DAM	LOW LEVEL GATE REPLACEMENT	EXISTING CONDITIONS AND DEMOLITION PLAN, ELEVATION, SECTIONS, AND DETAILS
18-0217-001 A2	ADMIRAL DAM	LOW LEVEL GATE REPLACEMENT	NEW CONSTRUCTION PLAN, ELEVATION, SECTIONS, AND DETAILS
18-0217-001 A3	DOWNIE LAKE DAM	LOW LEVEL GATE REPLACEMENT	EXISTING CONDITIONS AND DEMOLITION PLAN, ELEVATION, SECTIONS, AND DETAILS
18-0217-001 A4	DOWNIE LAKE DAM	LOW LEVEL GATE REPLACEMENT	NEW CONSTRUCTION PLAN, ELEVATION, SECTIONS, AND DETAILS

5		
4		
3		
2		
1		
0	ISSUED FOR TENDER	2018/03/26
Revision	Description	Date

Client client



Project title **ADMIRAL AND DOWNIE LAKE DAM**

LOW LEVEL OUTLET GATE REPLACEMENT

Designed by **SCOTT LARSON**

Drawn by **KEVIN CAPEK**

Approved by **GORD McPHAIL**

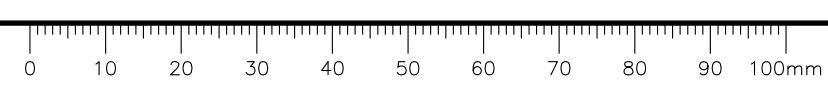
AAFC Project Manager Administrateur de Projets AAFC

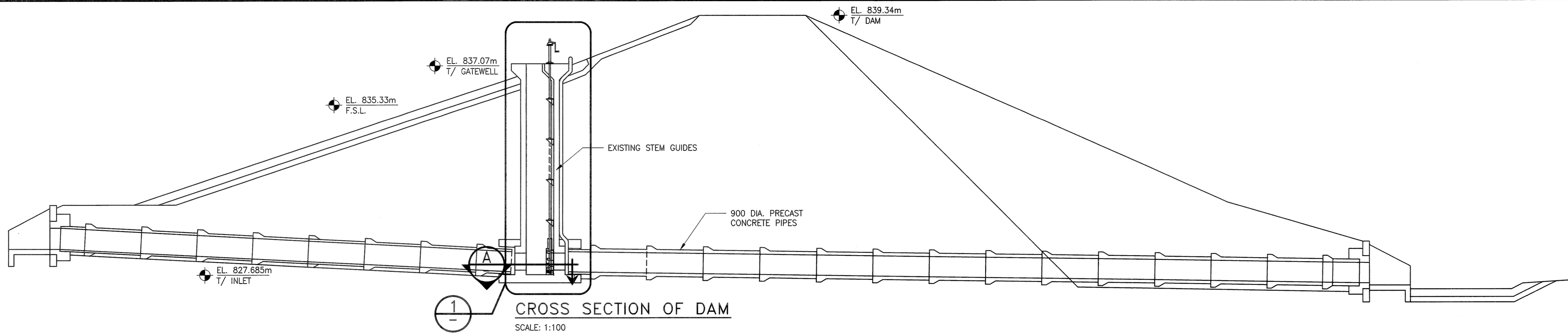
Drawing title **COVER SHEET**



Project no./No. du projet	Drawing no./No. du dessin	Revision no.
209321	A0 OF A4	0

KGS GROUP DRAWING NO.
18-0217-001_A0



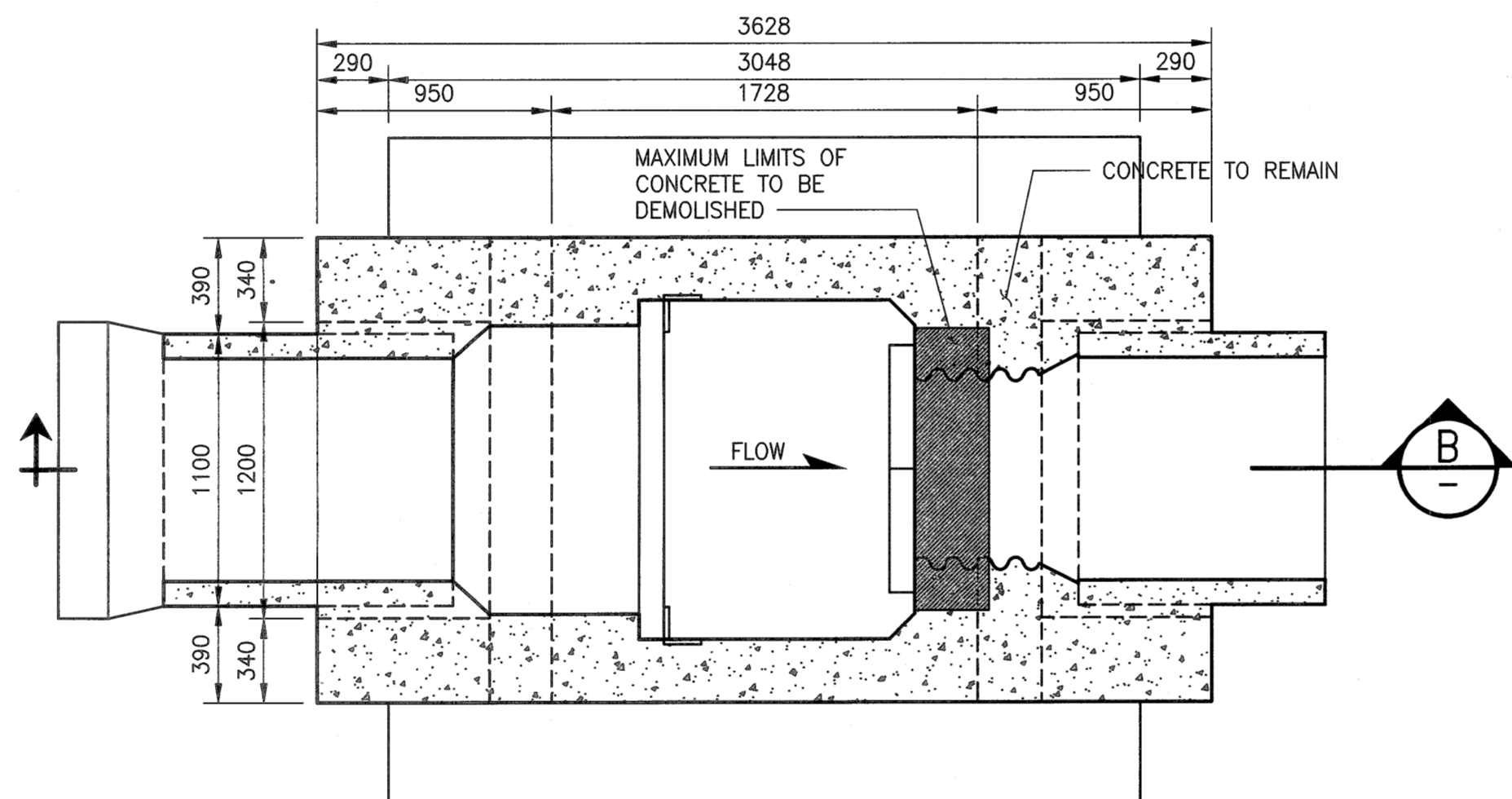
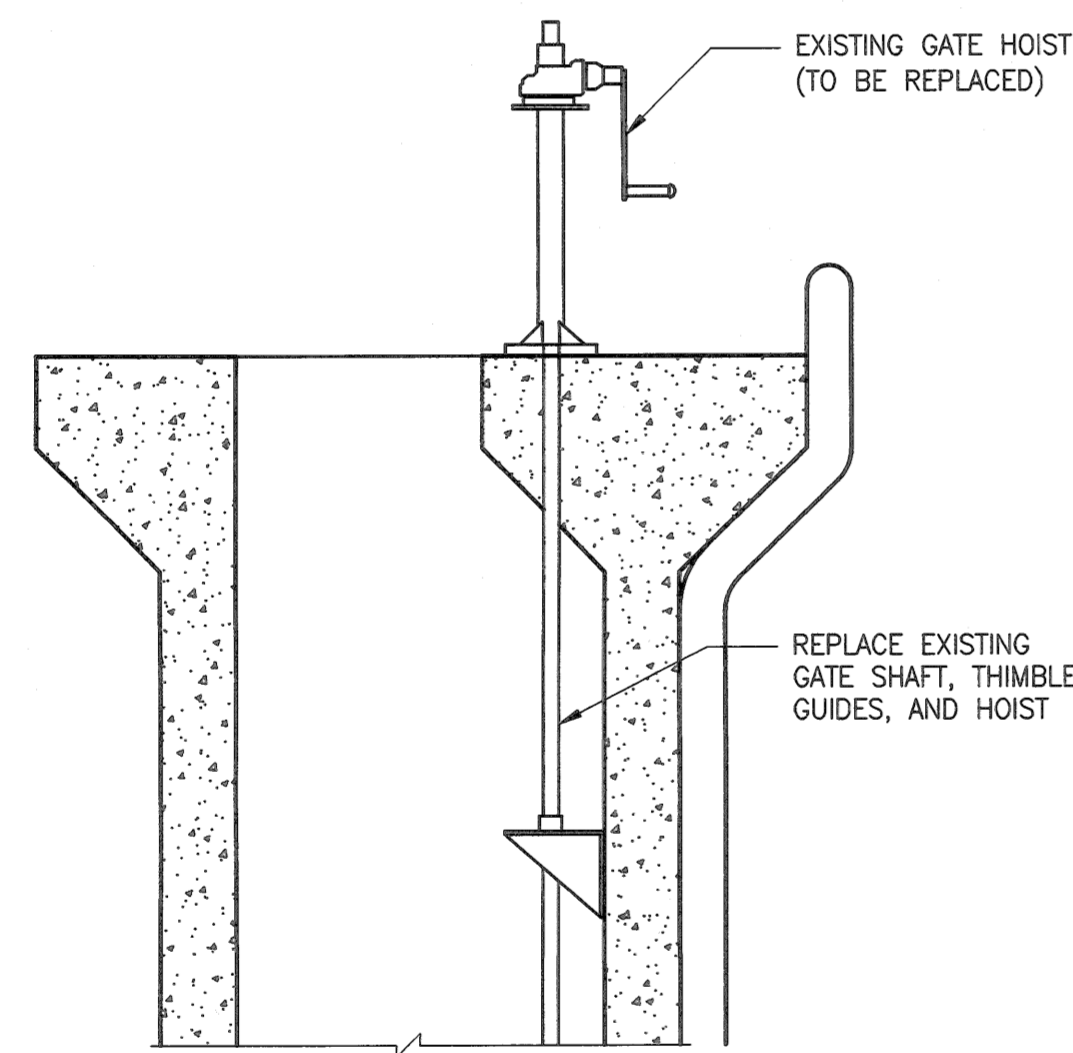


1 CROSS SECTION OF DAM
SCALE: 1:100

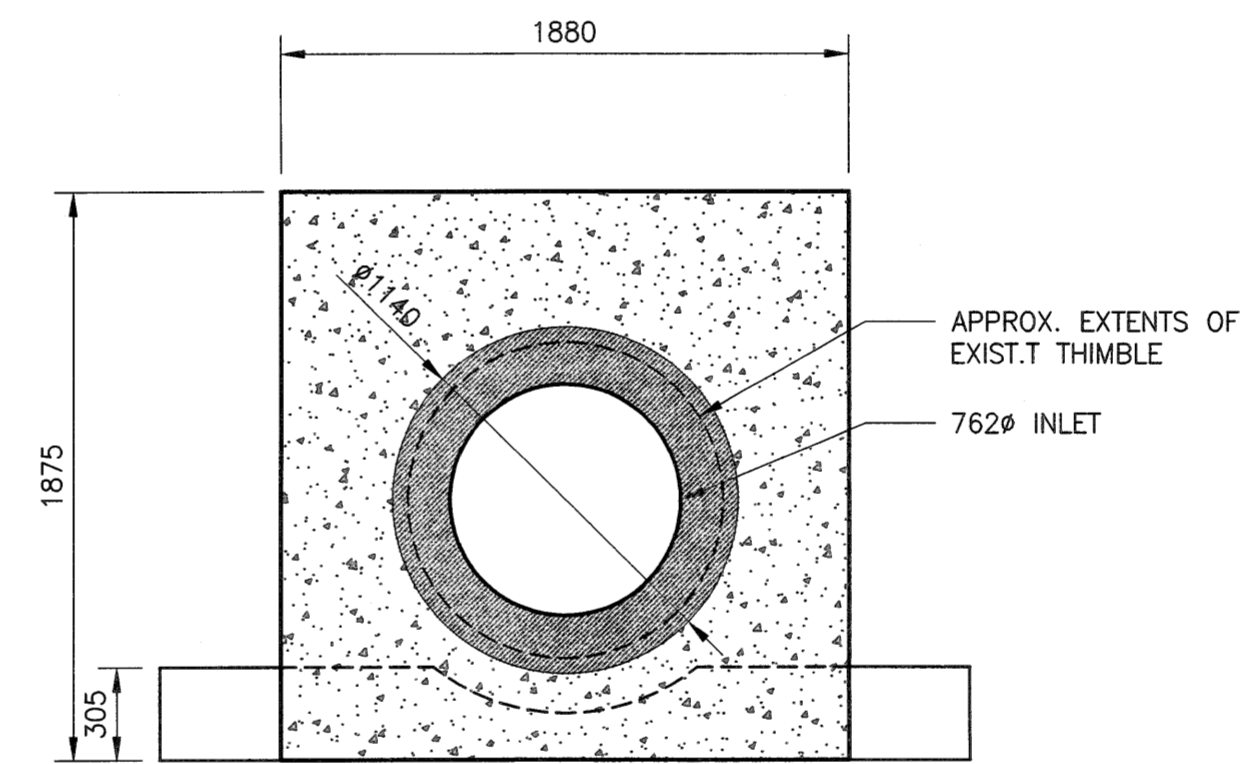
**PRELIMINARY
NOT FOR CONSTRUCTION**

NOTES:

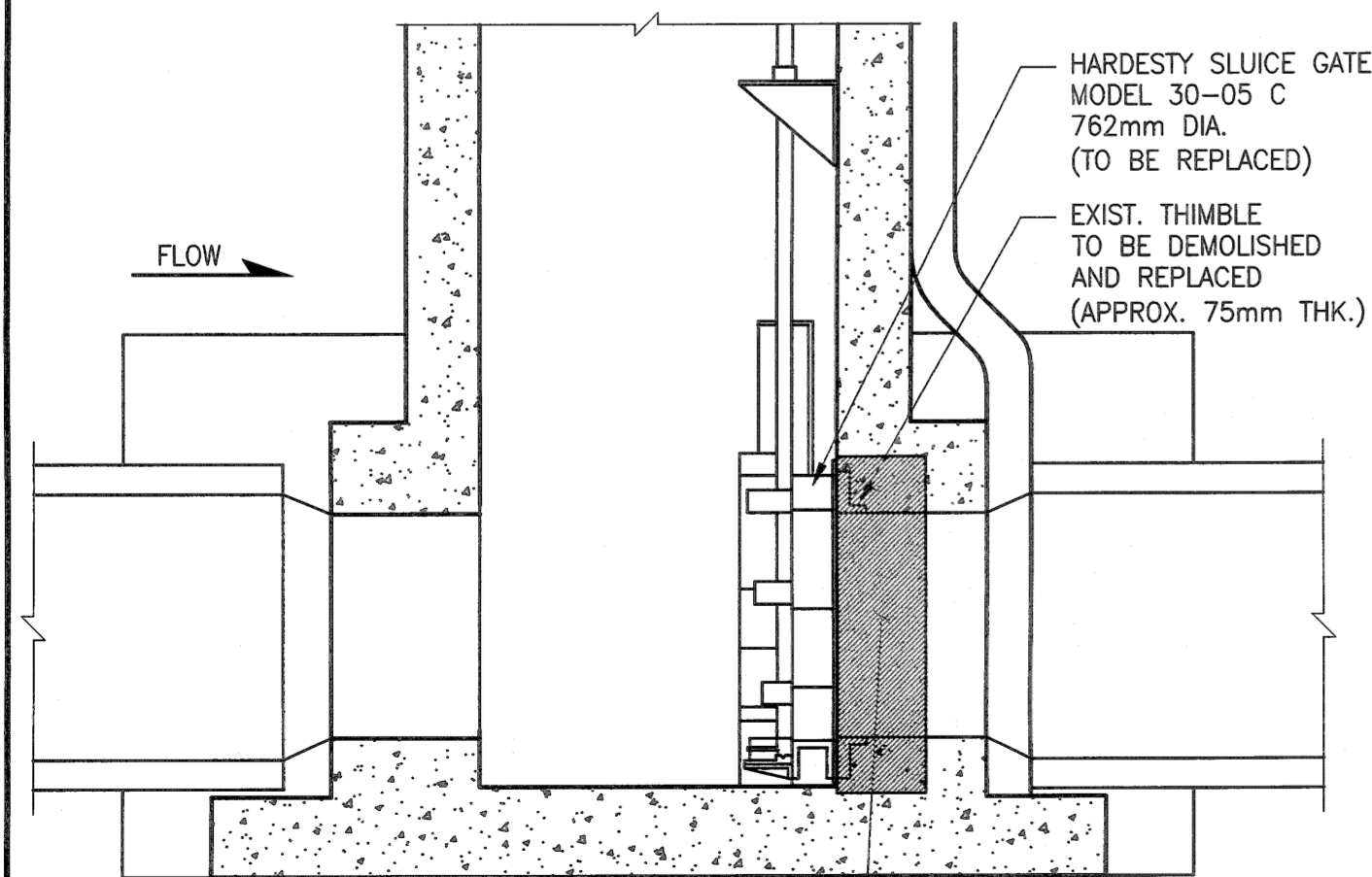
- DRAWINGS ARE BASED ON AVAILABLE INFORMATION FROM EXISTING DRAWINGS. FOR THE PURPOSE OF REPRESENTING THE SCOPE OF WORK INVOLVED TO REPLACE THE EXISTING GATES.
- ALL DIMENSIONS, AND ELEVATIONS ARE TO BE FIELD VERIFIED, BY THE CONTRACTOR AND ARE SUBJECT TO CHANGE.
- REMOVE AND DISPOSE OF THE EXISTING DOWNSTREAM SLIDE GATE INCLUDING ALL HARDWARE.
- EXCAVATE EXISTING CONCRETE AS REQUIRED FOR INSTALLATION OF NEW THIMBLE. REMOVE ALL OLD EXISTING GROUT NIPPLES AND INJECTION PORTS.
- CLEAN EXPOSED CONCRETE OR GROUT SURFACES IN THE AREA OF THE NEW THIMBLE.
- INSTALL NEW GATE, THIMBLE AND ASSOCIATED ACCESSORIES IN ACCORDANCE WITH MANUFACTURER'S REQUIREMENTS. INSTALLATION SEQUENCE/METHODS SHALL BE APPROVED BY OWNER PRIOR TO PERFORMING WORK.



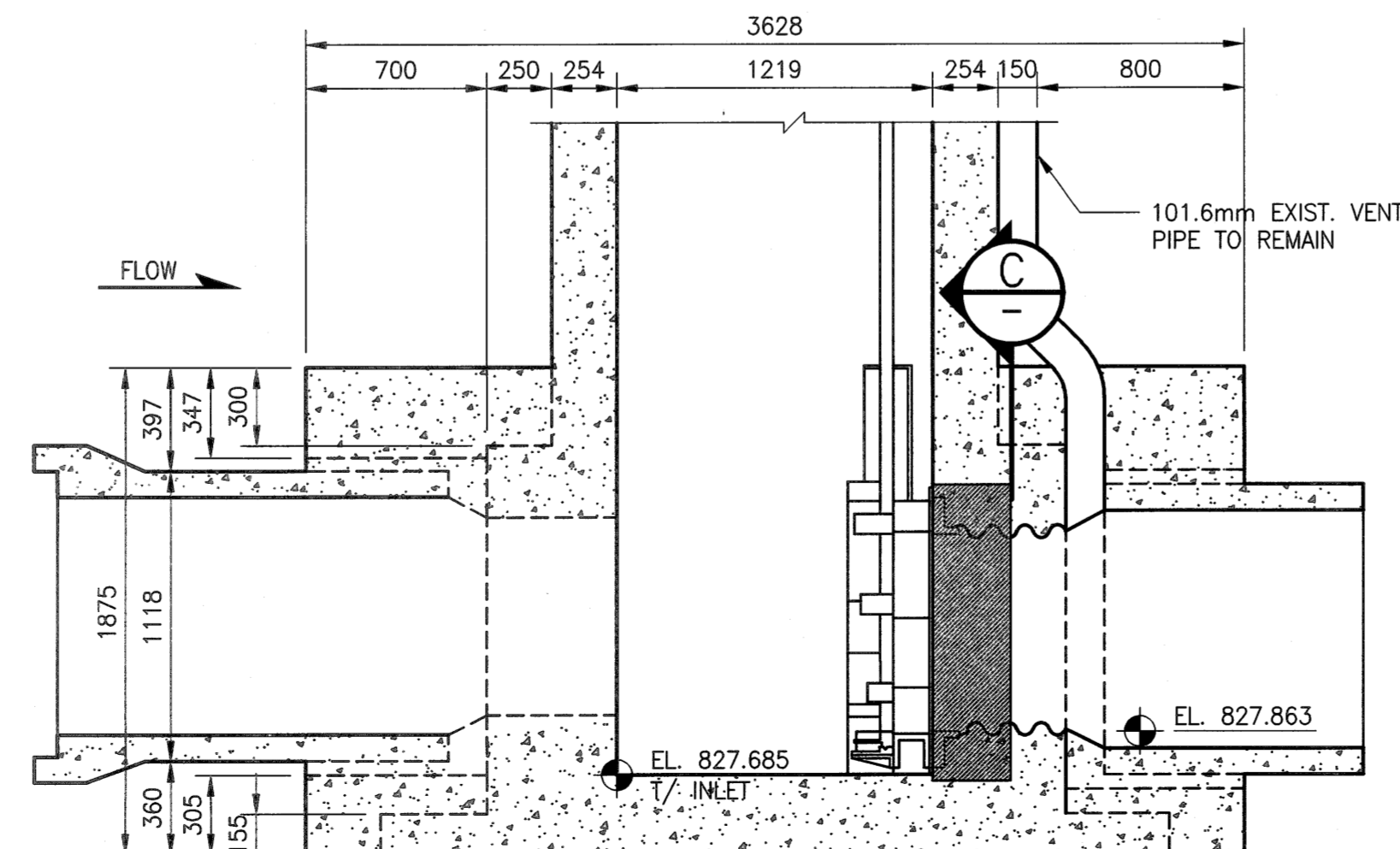
A PLAN OF GATEWELL
SCALE: 1:25



C SECTION
SCALE: 1:25



1 DETAIL
SCALE: 1:25



B SECTION
SCALE: 1:25

5		
4		
3		
2		
1		
0	ISSUED FOR TENDER	2018/03/28
Revision	Description	Date
Client		client

Agriculture and Agri-Food Canada / Agriculture et Agroalimentaire Canada

Project title: **ADMIRAL DAM**

LOW LEVEL OUTLET GATE REPLACEMENT

Designed by: **SCOTT LARSON** Conçu par
 Drawn by: **KEVIN CAPEK** Dessiné par
 Approved by: **GORD McPHAIL** Approuvé par
 AAFC Project Manager / Administrateur de Projets AAFC

Drawing title: **EXISTING CONDITIONS AND DEMOLITION PLAN, ELEVATION, SECTIONS, AND DETAILS**

Project no./No. du projet	Drawing no./No. du dessin	Revision no.
209322	A1 OF A4	0

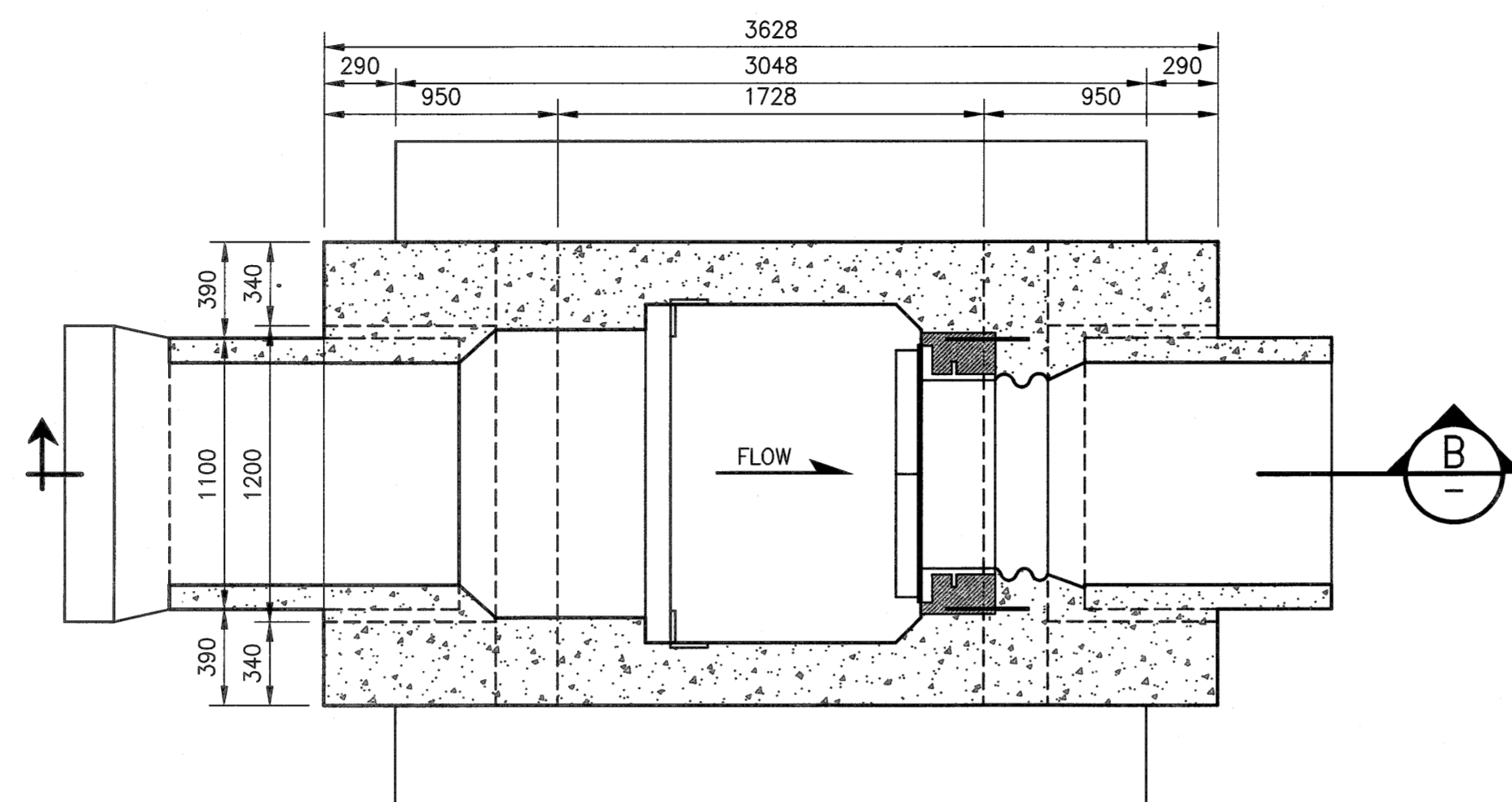
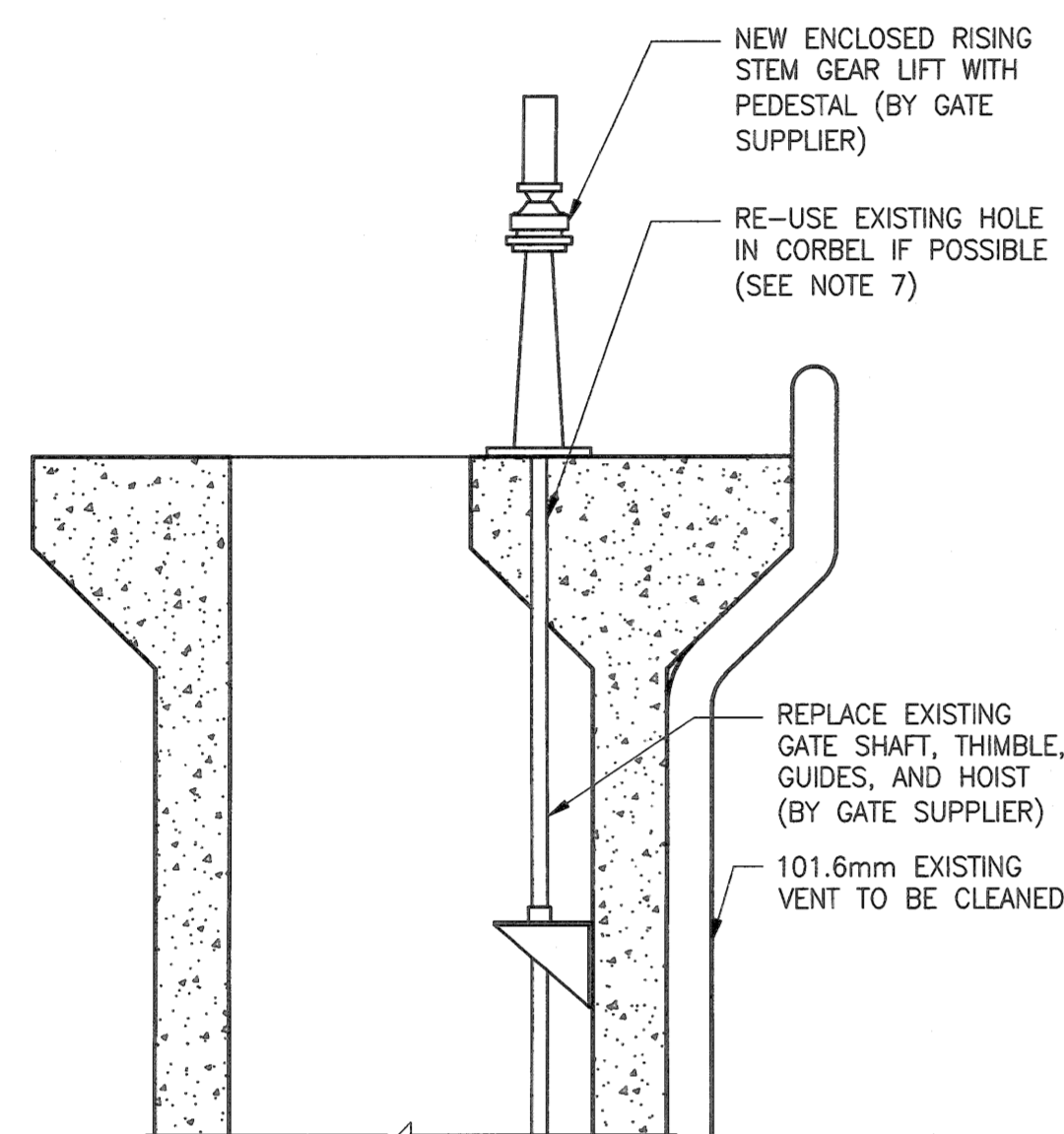
KGS GROUP CONSULTING ENGINEERS
 Association of Professional Engineers & Geoscientists of Saskatchewan
 CERTIFICATE OF AUTHORIZATION
 KGS Group Number C620
 Permission to Consult held by:
 Discipline: Water/Strud St. Reg. No. 5619 Signature: [Signature]



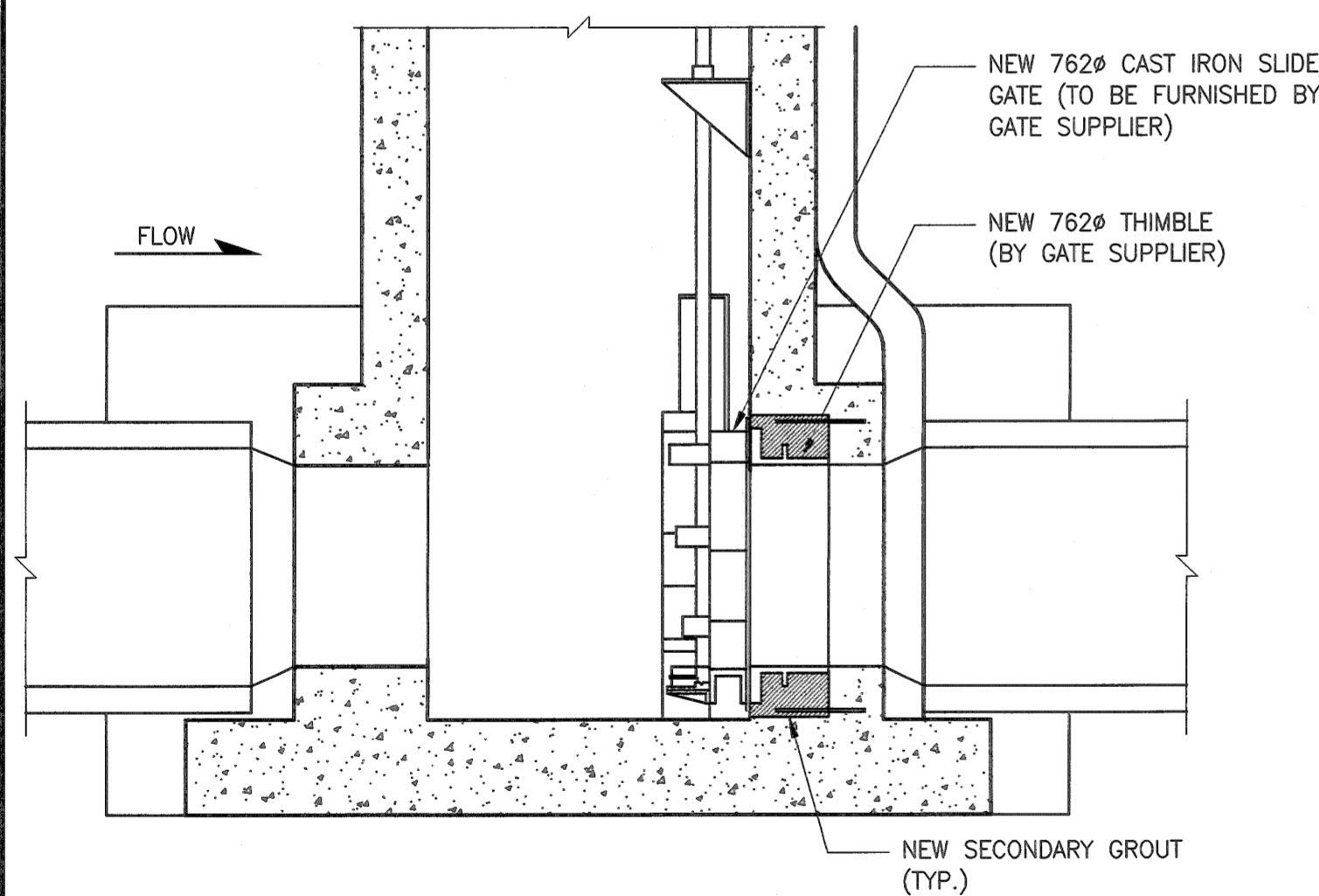
**PRELIMINARY
NOT FOR CONSTRUCTION**

NOTES:

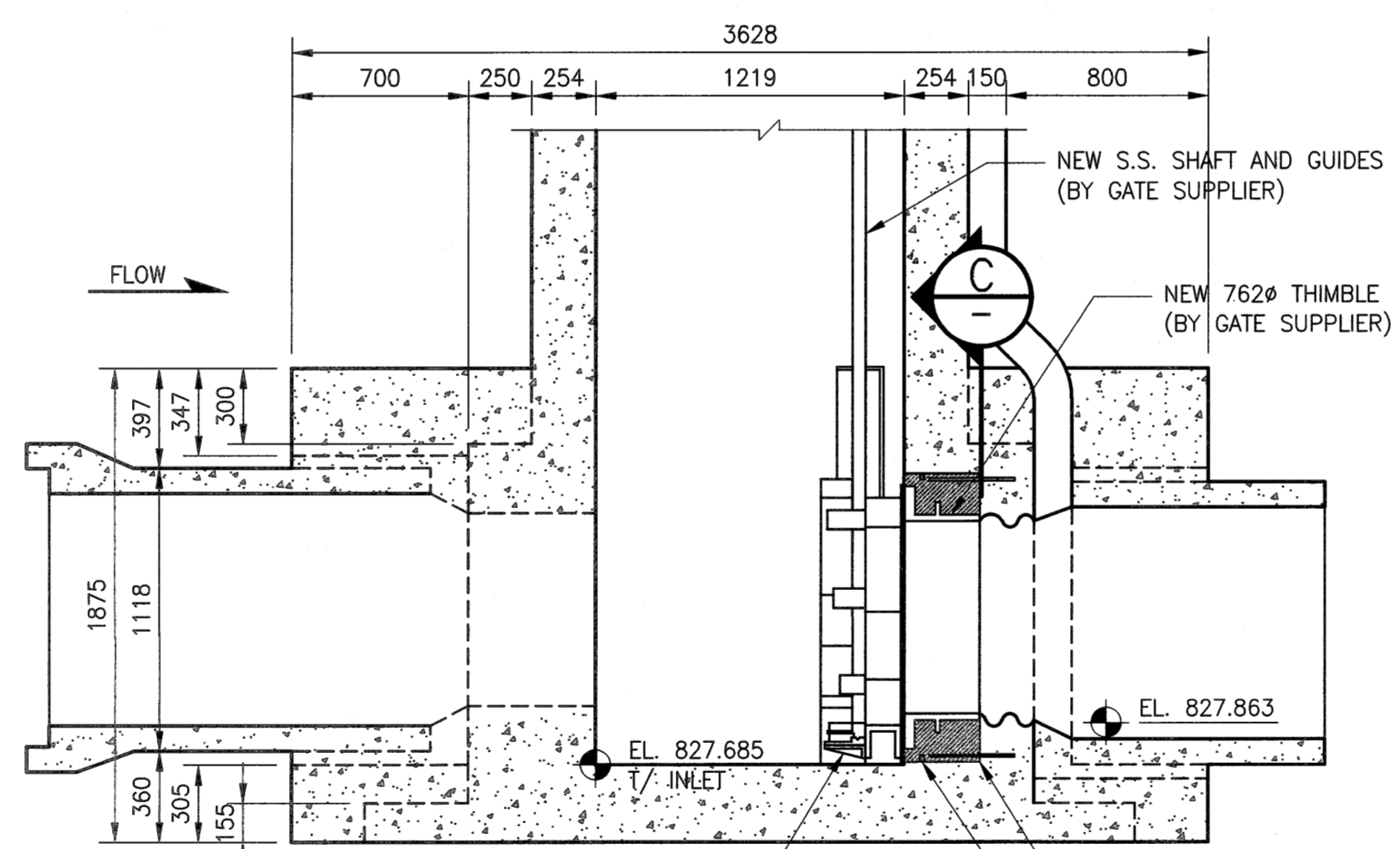
- DRAWINGS ARE BASED ON AVAILABLE INFORMATION FROM EXISTING DRAWINGS. FOR THE PURPOSE OF REPRESENTING THE SCOPE OF WORK INVOLVED TO REPLACE THE EXISTING GATES.
- ALL DIMENSIONS, AND ELEVATIONS ARE TO BE FIELD VERIFIED, BY THE CONTRACTOR AND ARE SUBJECT TO CHANGE.
- REMOVE AND DISPOSE OF THE EXISTING DOWNSTREAM SLIDE GATE INCLUDING ALL HARDWARE.
- EXCAVATE EXISTING CONCRETE AS REQUIRED FOR INSTALLATION OF NEW THIMBLE. REMOVE ALL OLD EXISTING GROUT NIPPLES AND INJECTION PORTS.
- CLEAN EXPOSED CONCRETE OR GROUT SURFACES IN THE AREA OF THE NEW THIMBLE.
- INSTALL NEW GATE, THIMBLE AND ASSOCIATED ACCESSORIES IN ACCORDANCE WITH MANUFACTURER'S REQUIREMENTS. INSTALLATION SEQUENCE/METHODS SHALL BE APPROVED BY OWNER PRIOR TO PERFORMING WORK.
- NEW HOIST AND STEM TO RE-USE EXISTING HOLE THROUGH CORBEL IF POSSIBLE. IF NECESSARY, CORE NEW HOLE THROUGH CORBEL TO ACCOMMODATE REQUIRED OFFSET FOR NEW HOIST/GATE.



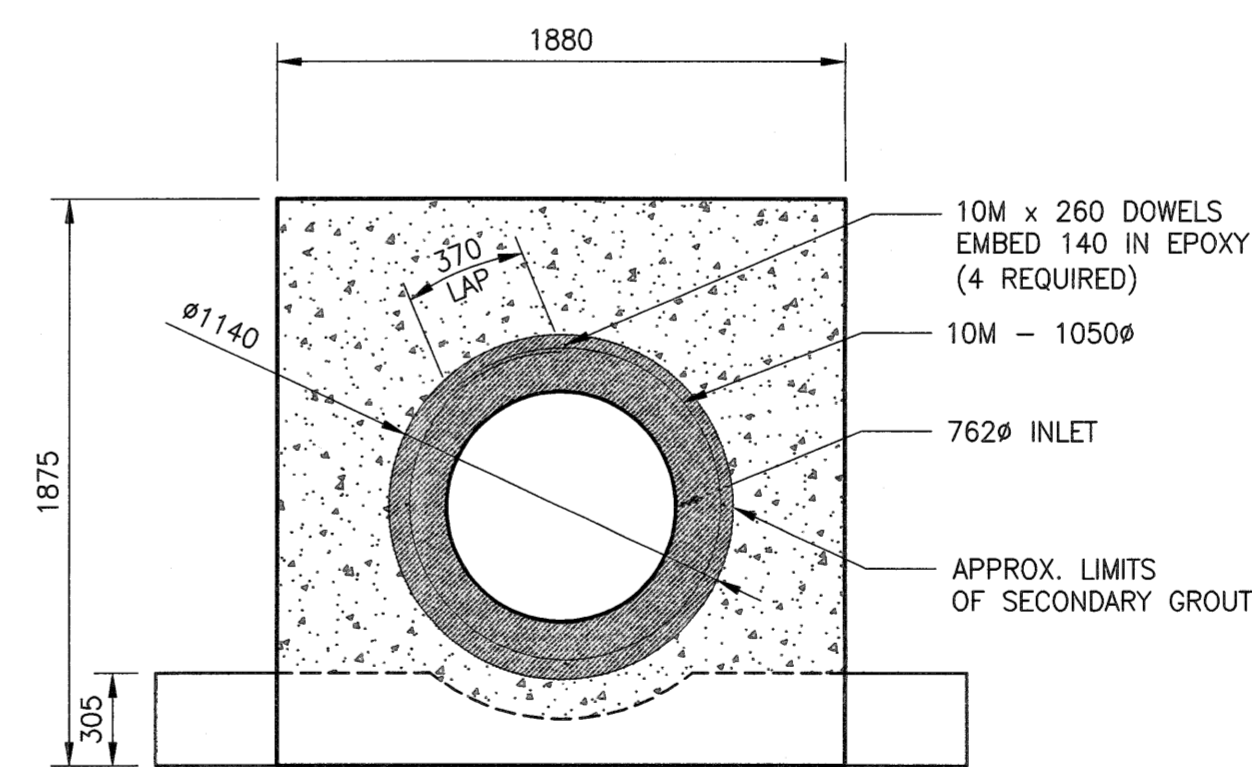
A PLAN OF GATEWELL
SCALE: 1:25



1 DETAIL
SCALE: 1:25



B SECTION
SCALE: 1:25



C SECTION
SCALE: 1:25

5		
4		
3		
2		
1		
0	ISSUED FOR TENDER	2018/03/26
Revision	Description	Date

Client _____ client

Agriculture and Agri-Food Canada / Agriculture et Agroalimentaire Canada

Project title **ADMIRAL DAM** Projet

**LOW LEVEL OUTLET
GATE REPLACEMENT**

Designed by **SCOTT LARSON** Conçu par

Drawn by **KEVIN CAPEK** Dessiné par

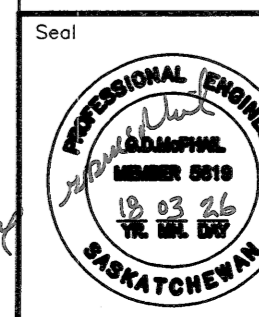
Approved by **GORD McPHAIL** Approuvé par

A AFC Project Manager Administrateur de Projets AFC

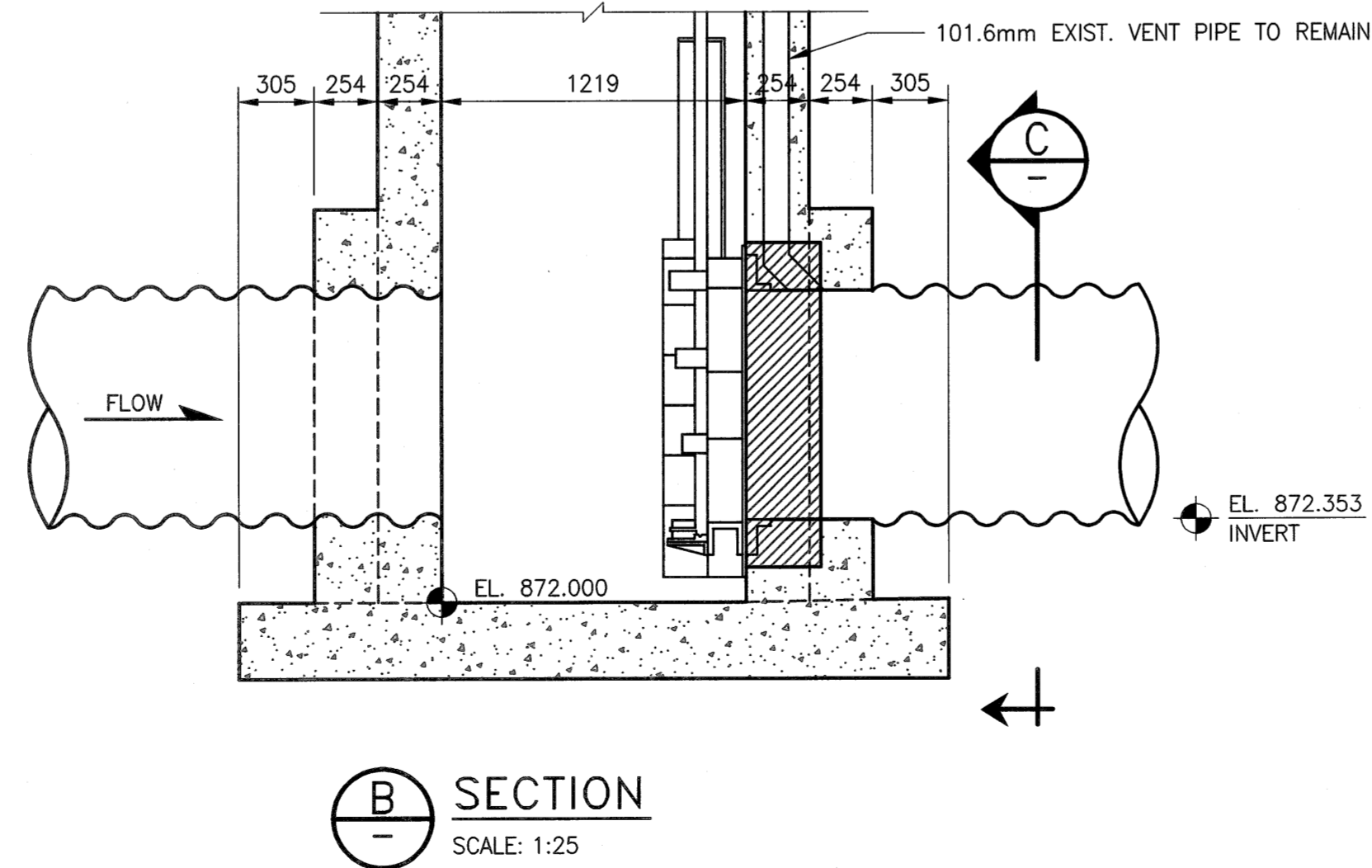
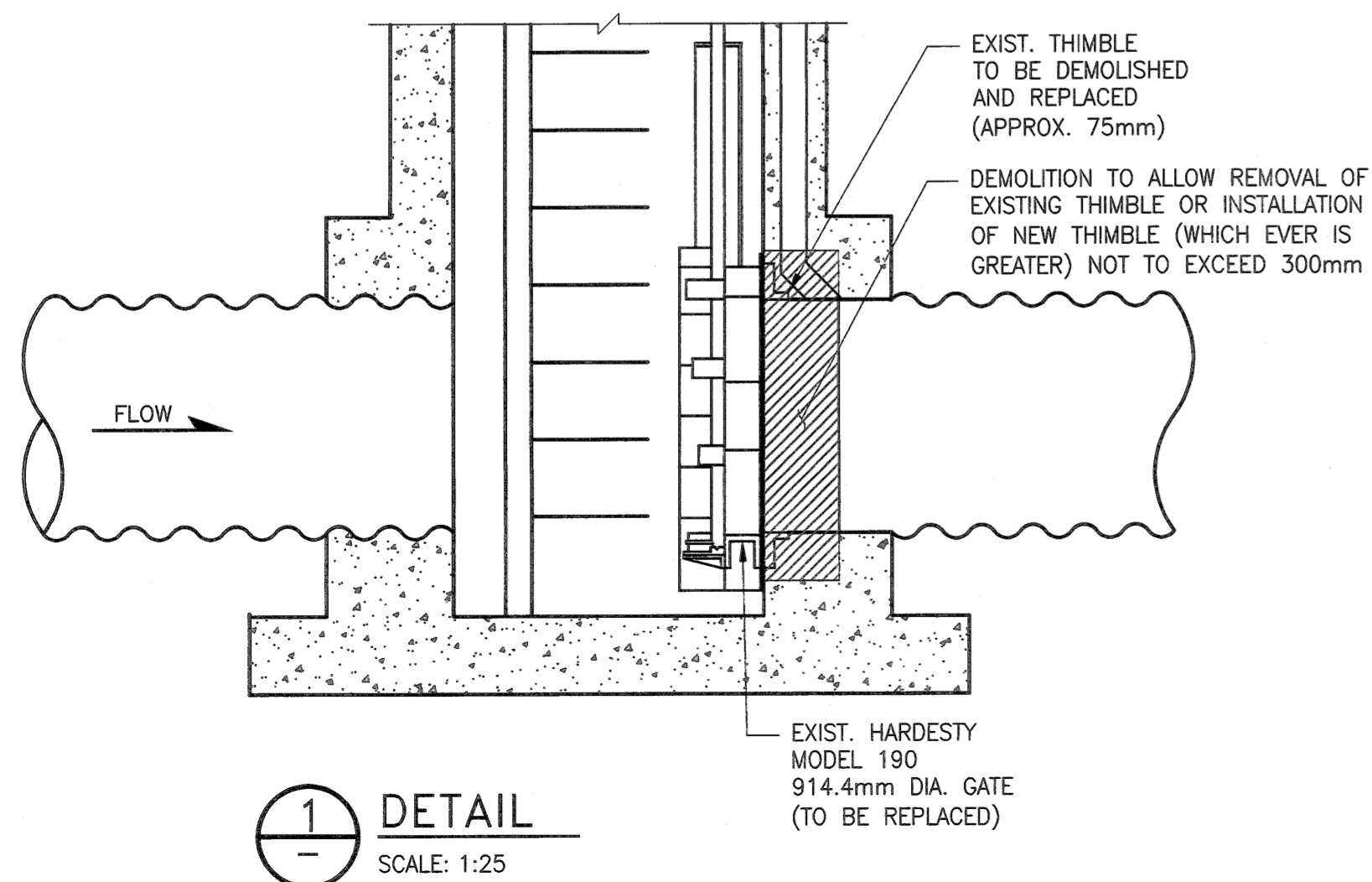
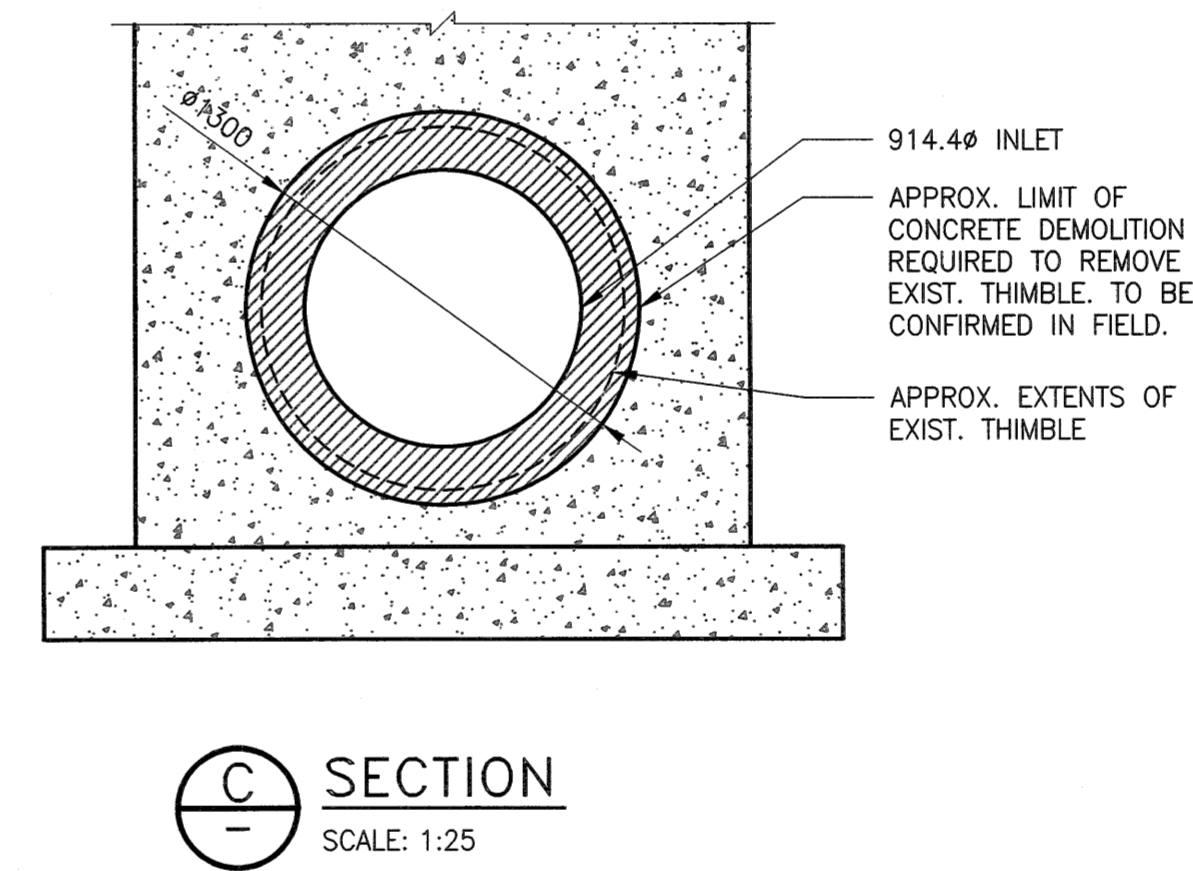
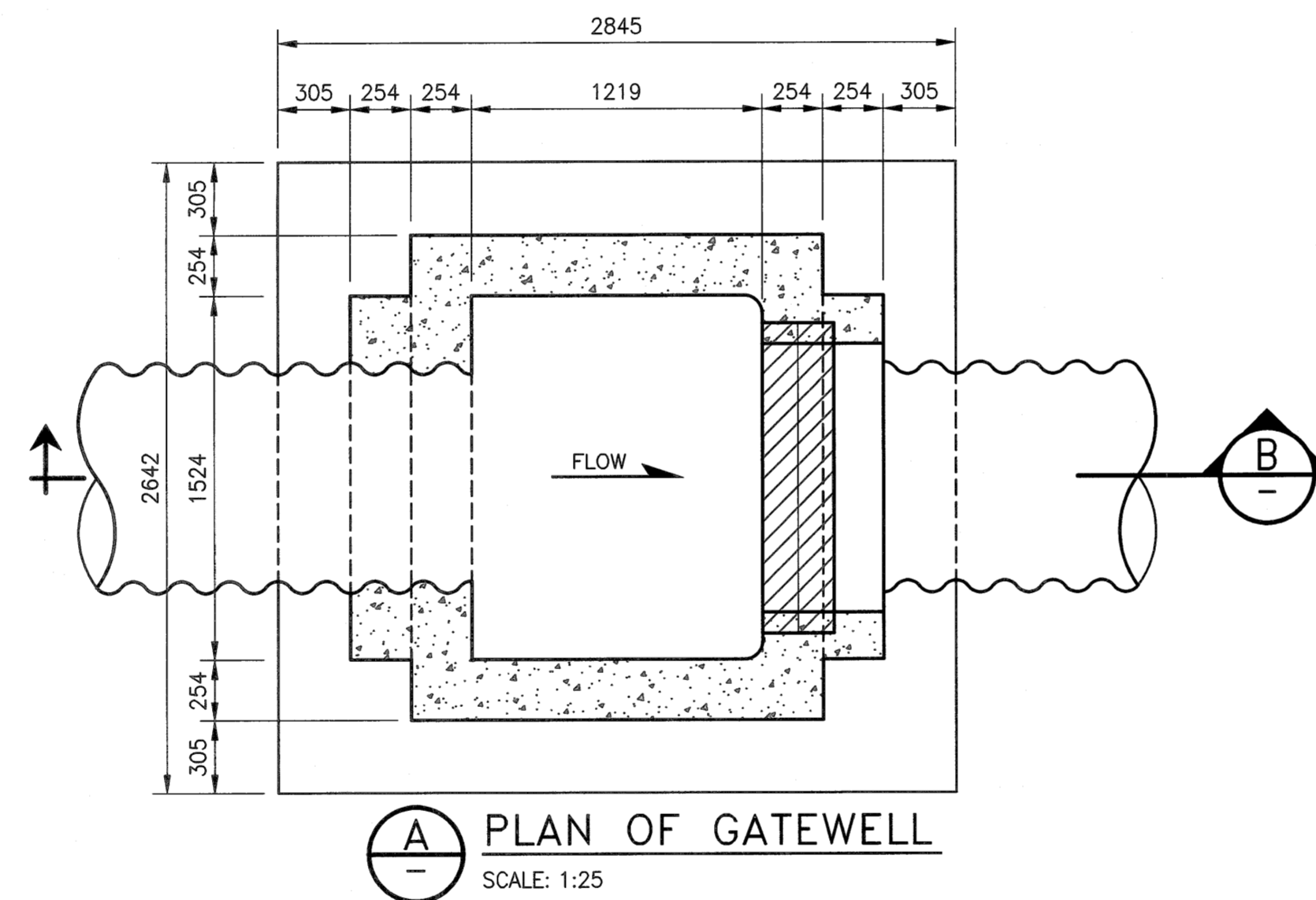
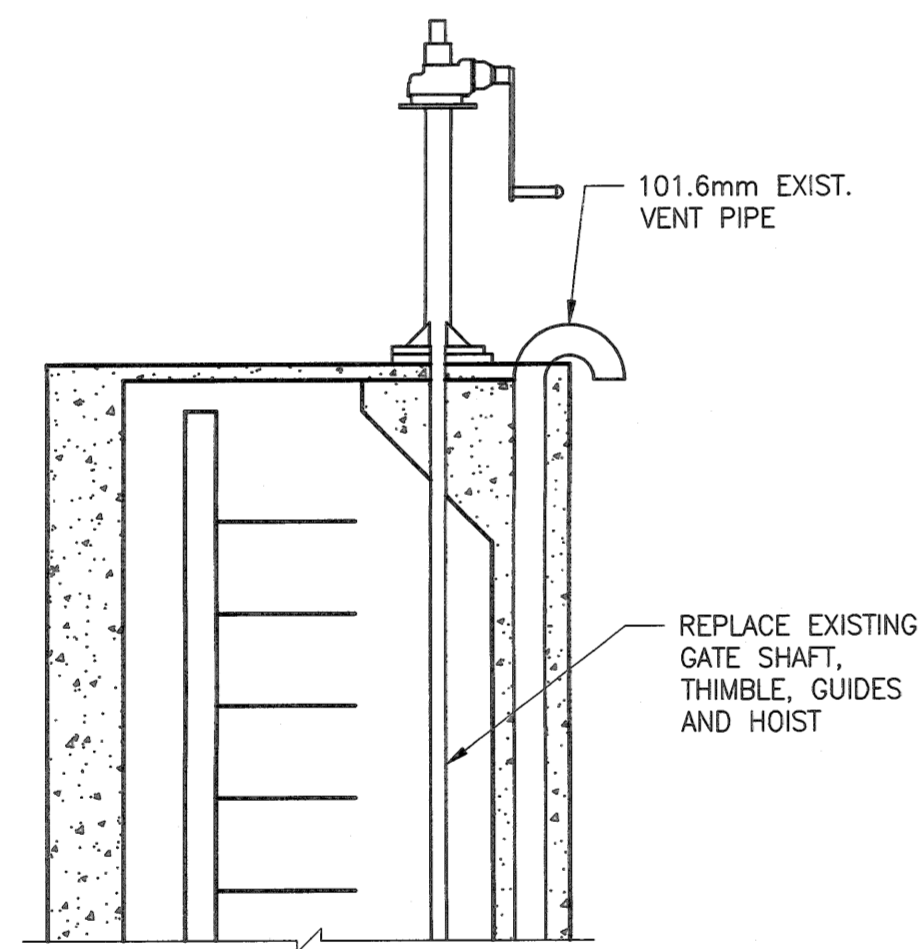
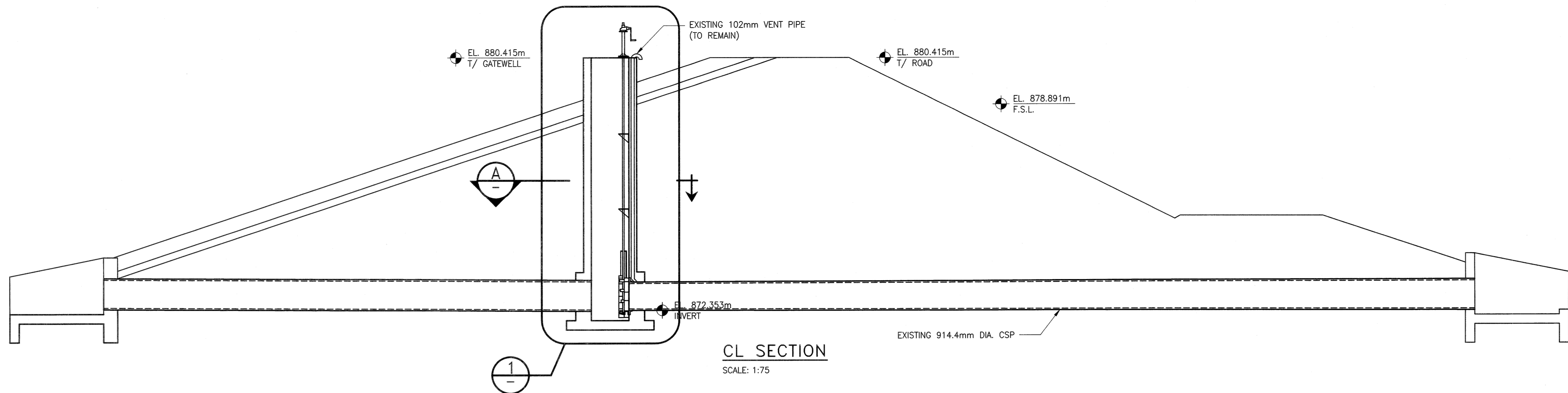
Drawing title **NEW CONSTRUCTION** Titre du dessin

**PLAN, ELEVATION,
SECTIONS, AND DETAILS**

Project no./No. du projet **209323** Drawing no./No. du dessin **A2** Revision no. **0**



Association of Professional Engineers & Geoscientists of Saskatchewan
CERTIFICATE OF AUTHORIZATION
KGS Group
Number C620
Permission to Consult held by:
Discipline **Water Res/Env** St. Reg. No. **5619** Signature *[Signature]*



**PRELIMINARY
NOT FOR CONSTRUCTION**

NOTES:

- DRAWINGS ARE BASED ON AVAILABLE INFORMATION FROM EXISTING DRAWINGS. FOR THE PURPOSE OF REPRESENTING THE SCOPE OF WORK INVOLVED TO REPLACE THE EXISTING GATES.
- ALL DIMENSIONS, AND ELEVATIONS ARE TO BE FIELD VERIFIED, BY THE CONTRACTOR AND ARE SUBJECT TO CHANGE.
- REMOVE AND DISPOSE OF THE EXISTING DOWNSTREAM SLIDE GATE INCLUDING ALL HARDWARE.
- EXCAVATE EXISTING CONCRETE AS REQUIRED FOR INSTALLATION OF NEW THIMBLE. REMOVE ALL OLD EXISTING GROUT NIPPLES AND INJECTION PORTS.
- CLEAN EXPOSED CONCRETE OR GROUT SURFACES IN THE AREA OF THE NEW THIMBLE.
- INSTALL NEW GATE, THIMBLE AND ASSOCIATED ACCESSORIES IN ACCORDANCE WITH MANUFACTURER'S REQUIREMENTS. INSTALLATION SEQUENCE/METHODS SHALL BE APPROVED BY OWNER PRIOR TO PERFORMING WORK.

5		
4		
3		
2		
1		
0	ISSUED FOR TENDER	2018/03/28
Revision	Description	Date
Client		client

Agriculture and Agri-Food Canada / Agriculture et Agroalimentaire Canada

Project title: **DOWNE LAKE DAM**

LOW LEVEL OUTLET GATE REPLACEMENT

Designed by: **SCOTT LARSON** Conçu par

Drawn by: **KEVIN CAPEK** Dessiné par

Approved by: **GORD McPHAIL** Approuvé par

AAFC Project Manager / Administrateur de Projets AAFC

Drawing title: **EXISTING CONDITIONS AND DEMOLITION PLAN, ELEVATION, SECTIONS, AND DETAILS**

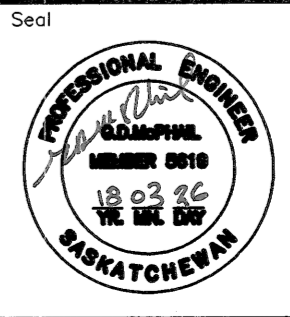
Project no./No. du projet	Drawing no./No. du dessin	Revision no.
209324	A3 OF A4	0

KGS GROUP CONSULTING ENGINEERS

Association of Professional Engineers & Geoscientists of Saskatchewan
CERTIFICATE OF AUTHORIZATION
KGS Group
Number C620

Permission to Consult held by:
Discipline: *Water Res. Str.* Sk. Reg. No.: *5619* Signature: *[Signature]*

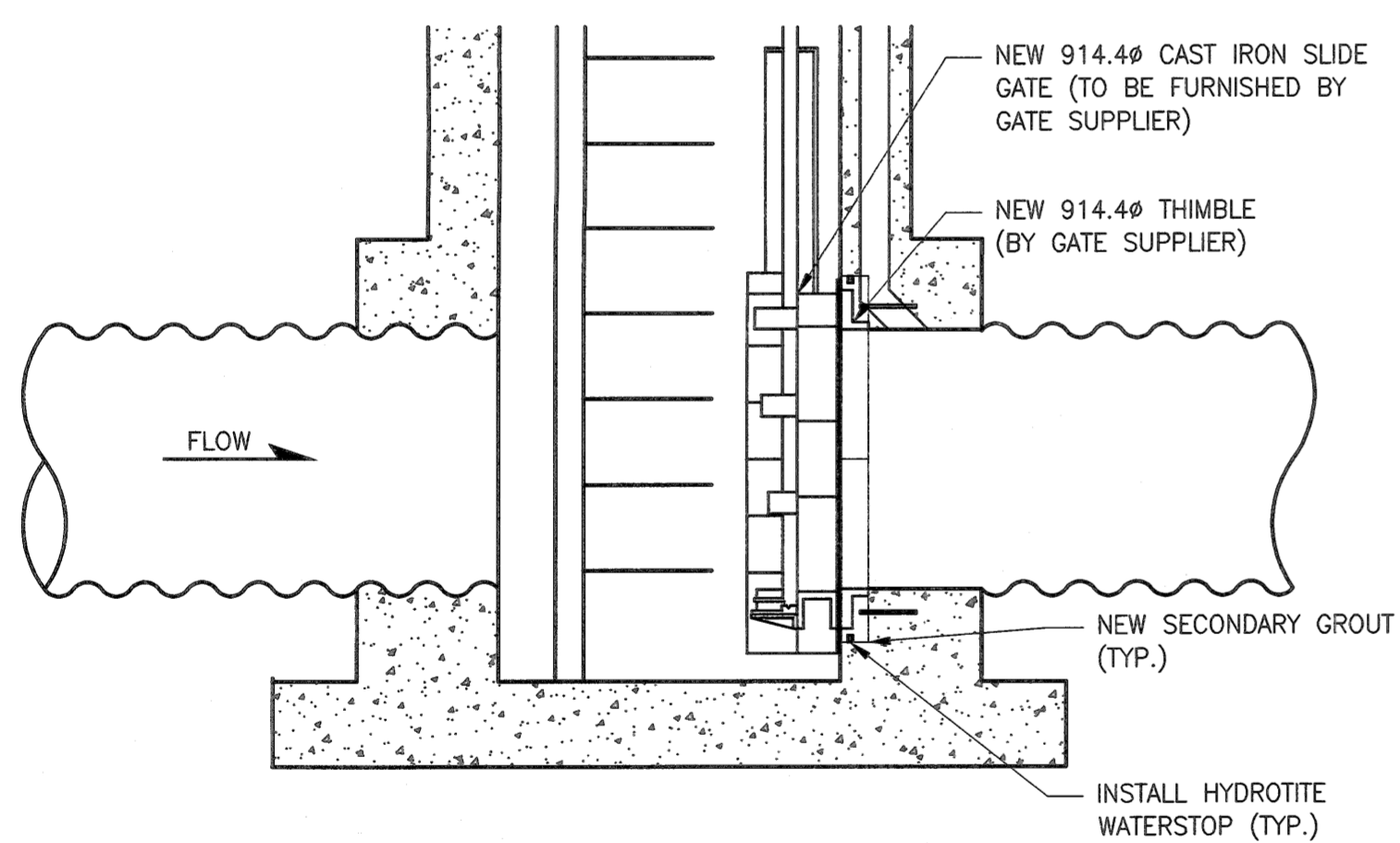
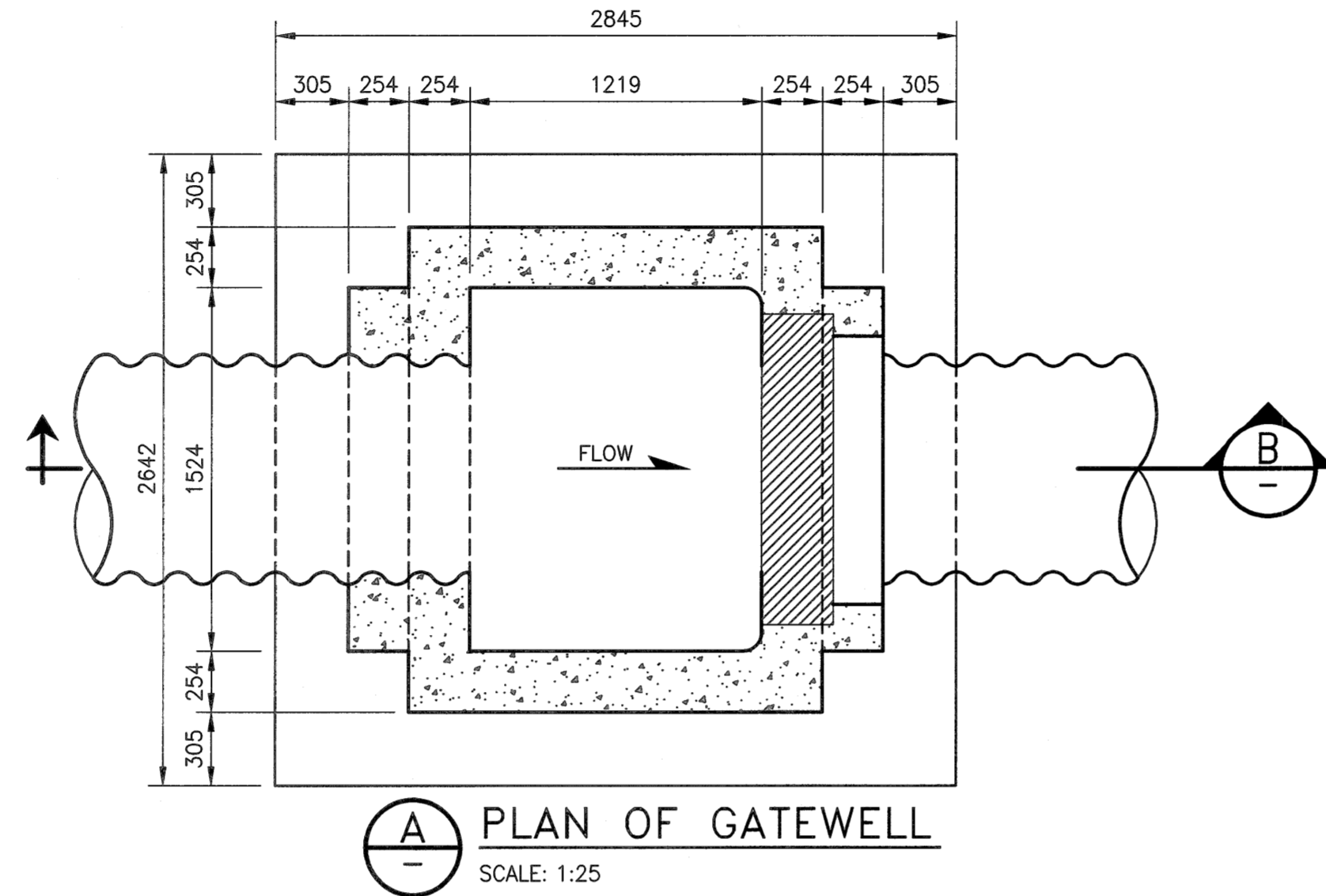
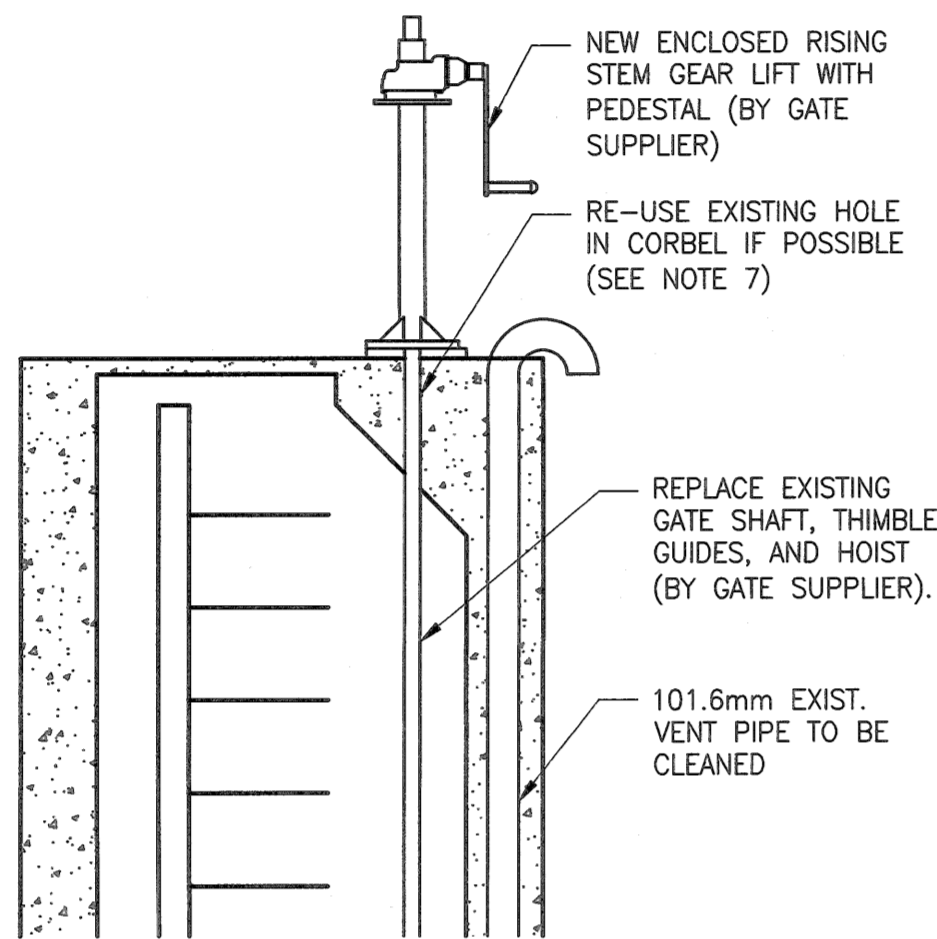
KGS GROUP DRAWING NO. **18-0217-001_A3**



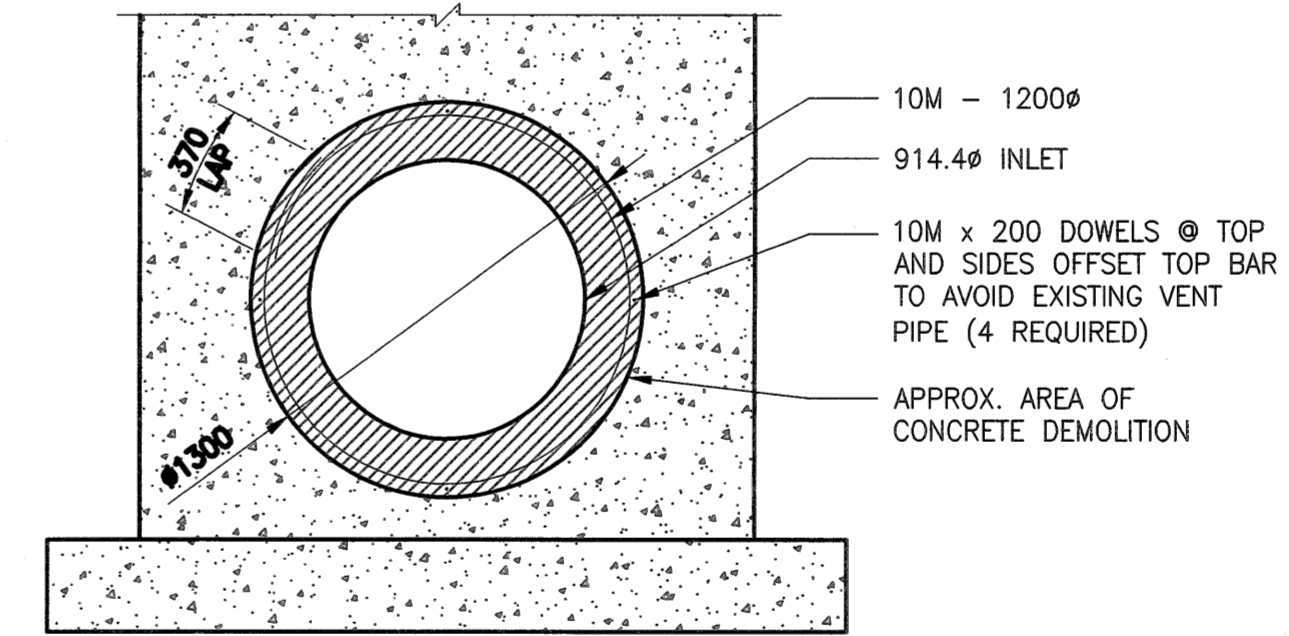
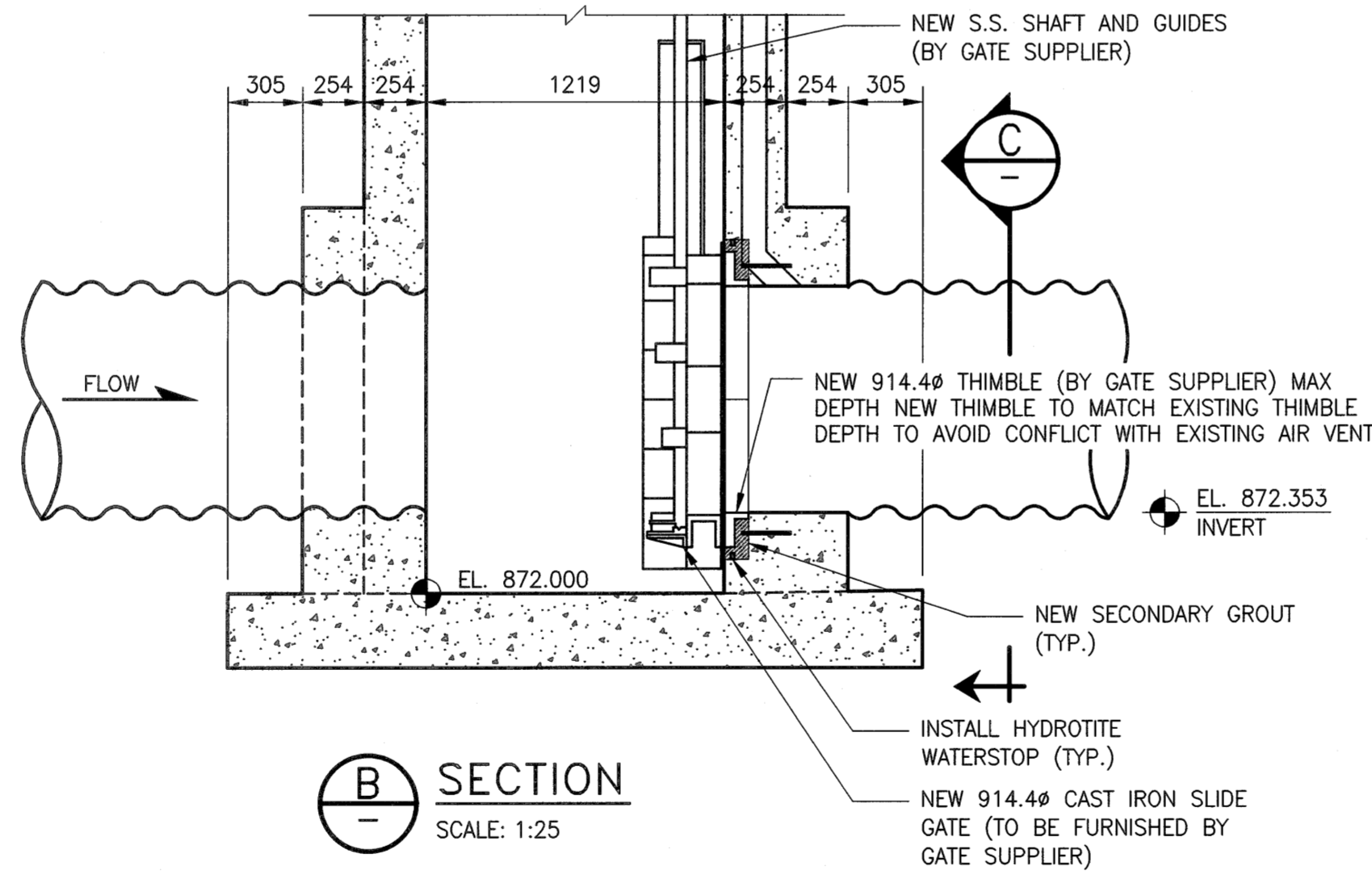
**PRELIMINARY
NOT FOR CONSTRUCTION**

NOTES:

- DRAWINGS ARE BASED ON AVAILABLE INFORMATION FROM EXISTING DRAWINGS. FOR THE PURPOSE OF REPRESENTING THE SCOPE OF WORK INVOLVED TO REPLACE THE EXISTING GATES.
- ALL DIMENSIONS, AND ELEVATIONS ARE TO BE FIELD VERIFIED, BY THE CONTRACTOR AND ARE SUBJECT TO CHANGE.
- REMOVE AND DISPOSE OF THE EXISTING DOWNSTREAM SLIDE GATE INCLUDING ALL HARDWARE.
- EXCAVATE EXISTING CONCRETE AS REQUIRED FOR INSTALLATION OF NEW THIMBLE. REMOVE ALL OLD EXISTING GROUT NIPPLES AND INJECTION PORTS.
- CLEAN EXPOSED CONCRETE OR GROUT SURFACES IN THE AREA OF THE NEW THIMBLE.
- INSTALL NEW GATE, THIMBLE AND ASSOCIATED ACCESSORIES IN ACCORDANCE WITH MANUFACTURER'S REQUIREMENTS. INSTALLATION SEQUENCE/METHODS SHALL BE APPROVED BY OWNER PRIOR TO PERFORMING WORK.
- NEW HOIST AND STEM TO RE-USE EXISTING HOLE THROUGH CORBEL IF POSSIBLE. IF NECESSARY, CORE NEW HOLE THROUGH CORBEL TO ACCOMMODATE REQUIRED OFFSET FOR NEW HOIST/GATE



1 DETAIL
SCALE: 1:25



C SECTION
SCALE: 1:25

5		
4		
3		
2		
1		
0	ISSUED FOR TENDER	2018/03/20
Revision	Description	Date

Client client

Agriculture and Agri-Food Canada / Agriculture et Agroalimentaire Canada

Project title **DOWNIE LAKE DAM**
Project **LOW LEVEL OUTLET GATE REPLACEMENT**

Designed by **SCOTT LARSON** Conçu par

Drawn by **KEVIN CAPEK** Dessiné par

Approved by **GORD McPHAIL** Approuvé par

AAFC Project Manager / Administrateur de Projets AAFC

Drawing title / Titre du dessin

**NEW CONSTRUCTION
PLAN, ELEVATION,
SECTIONS, AND DETAILS**

Project no./No. du projet Drawing no./No. du dessin Revision no.

209325 A4 OF A4 0

KGS GROUP CONSULTING ENGINEERS
KGS GROUP DRAWING NO. **18-0217-001_A4**

Association of Professional Engineers & Geoscientists of Saskatchewan
CERTIFICATE OF AUTHORIZATION
KGS Group Number C620
Permission to Consult held by:
Discipline *Water Res/Str* St. Reg. No. *5619* Signature *[Signature]*

