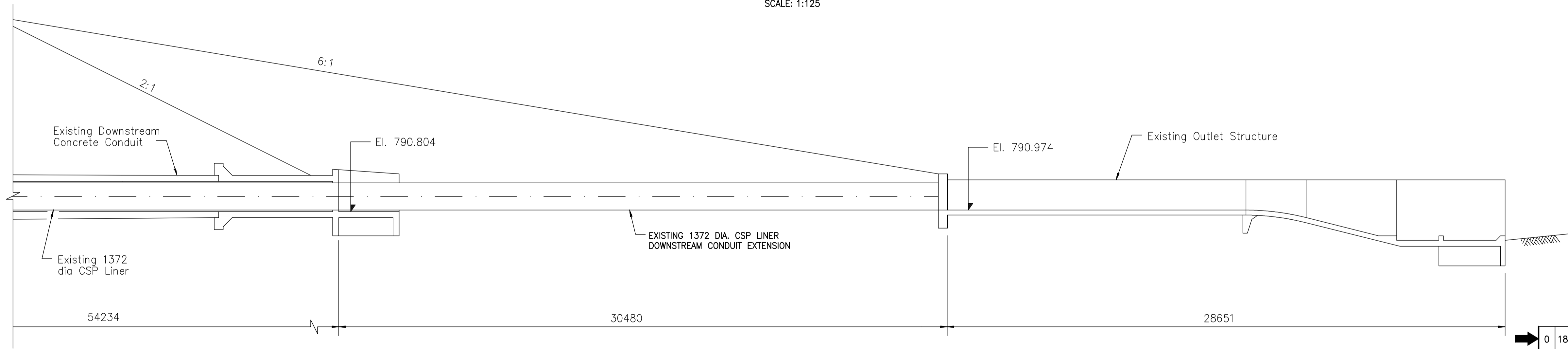


NOTE: For upstream pipe lining details, see sheet 3

PROFILE - UPSTREAM PORTION
SCALE: 1:125



PROFILE - DOWNSTREAM PORTION
SCALE: 1:125

NO.	YY/MM/DD	DESCRIPTION	DESIGN BY	DESIGN CHECK
0	18/01/31	ISSUED FOR TENDER	NK	GDM

REVISIONS / ISSUE

CLIENT:
 Agriculture and Agri-Food Canada / Agriculture et Agroalimentaire Canada

PROJECT:
DUNCAIRN DAM PROJECT
RIPARIAN OUTLET WORKS REHABILITATION
DOWNSTREAM SLIDE GATE REPLACEMENT

DWG. DESCRIPTION:
EXISTING GENERAL ARRANGEMENT

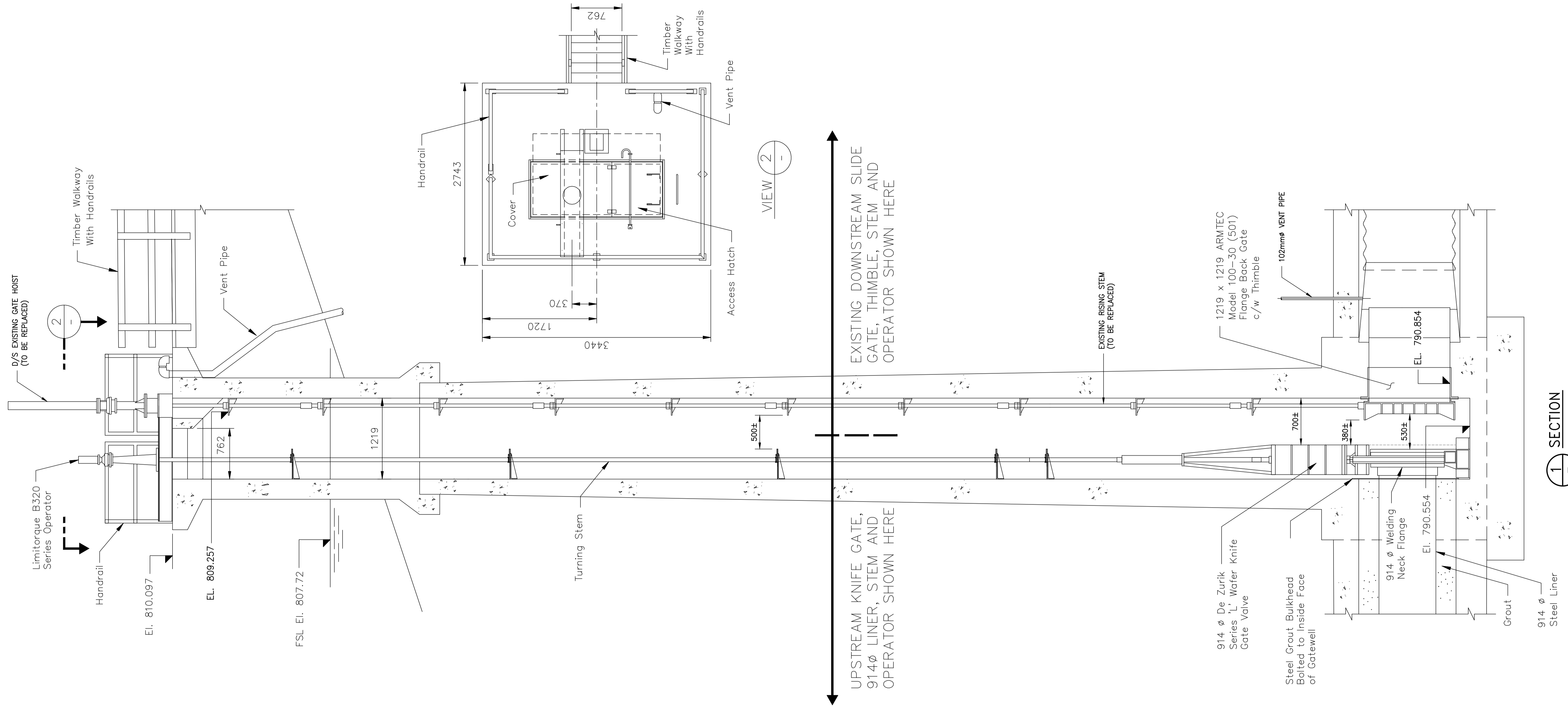
FOR TENDER ONLY
NOT TO BE USED FOR CONSTRUCTION

AUTHENTICATION FOR CURRENT REVISION
 ENG. STAMP

KGS GROUP CONSULTING ENGINEERS	DESIGN BY: NK	DATE (YY/MM/DD): 17/12/22
	DESIGN CHECK:	DATE:
	DRAWN BY: KJC	DATE: 17/12/22
	DWG CHECK:	DATE:

DWG. NO. 16-0217-003 S01	REV: 0
--------------------------	--------

File Name: U:\Projects\16-0217-003\16-0217-003_S01.dwg - Tab: S01 Plotted By: kcopek 18/01/31 [Wed 1:26pm] 24 x 36 / PLOT SCALE: 1=1



VIEW 2

SECTION 1
SCALE: 1:30

FOR TENDER ONLY
 NOT TO BE USED FOR CONSTRUCTION

A4FC DWG. NO.

AUTHENTICATION FOR CURRENT REVISION
 ENG. STAMP

KGS GROUP CONSULTING ENGINEERS	DESIGN BY: NK	DATE (YY/MM/DD): 17/12/22
	DESIGN CHECK:	DATE:
	DRAWN BY: KJC	DATE: 17/12/22
	DWG CHECK:	DATE:

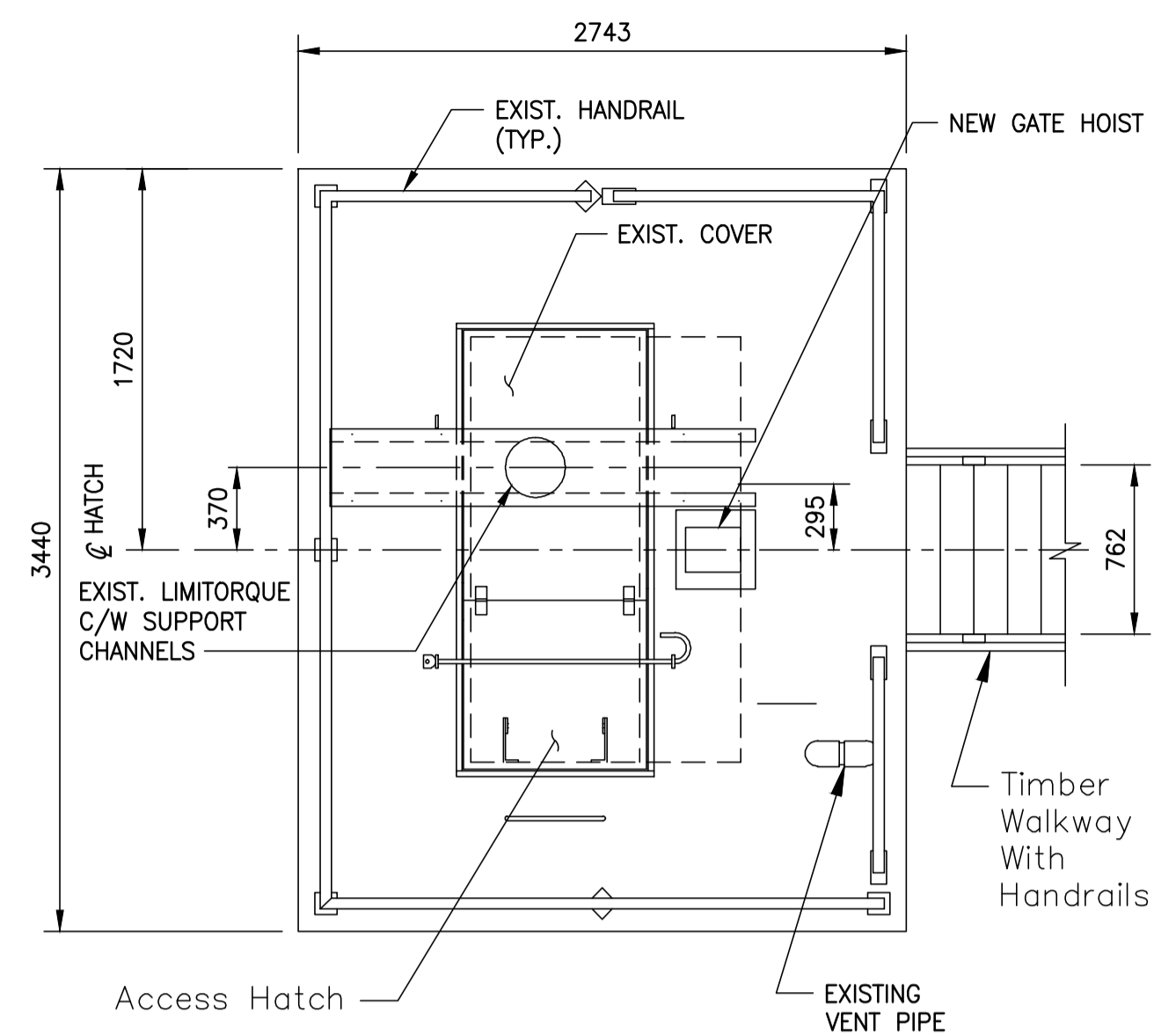
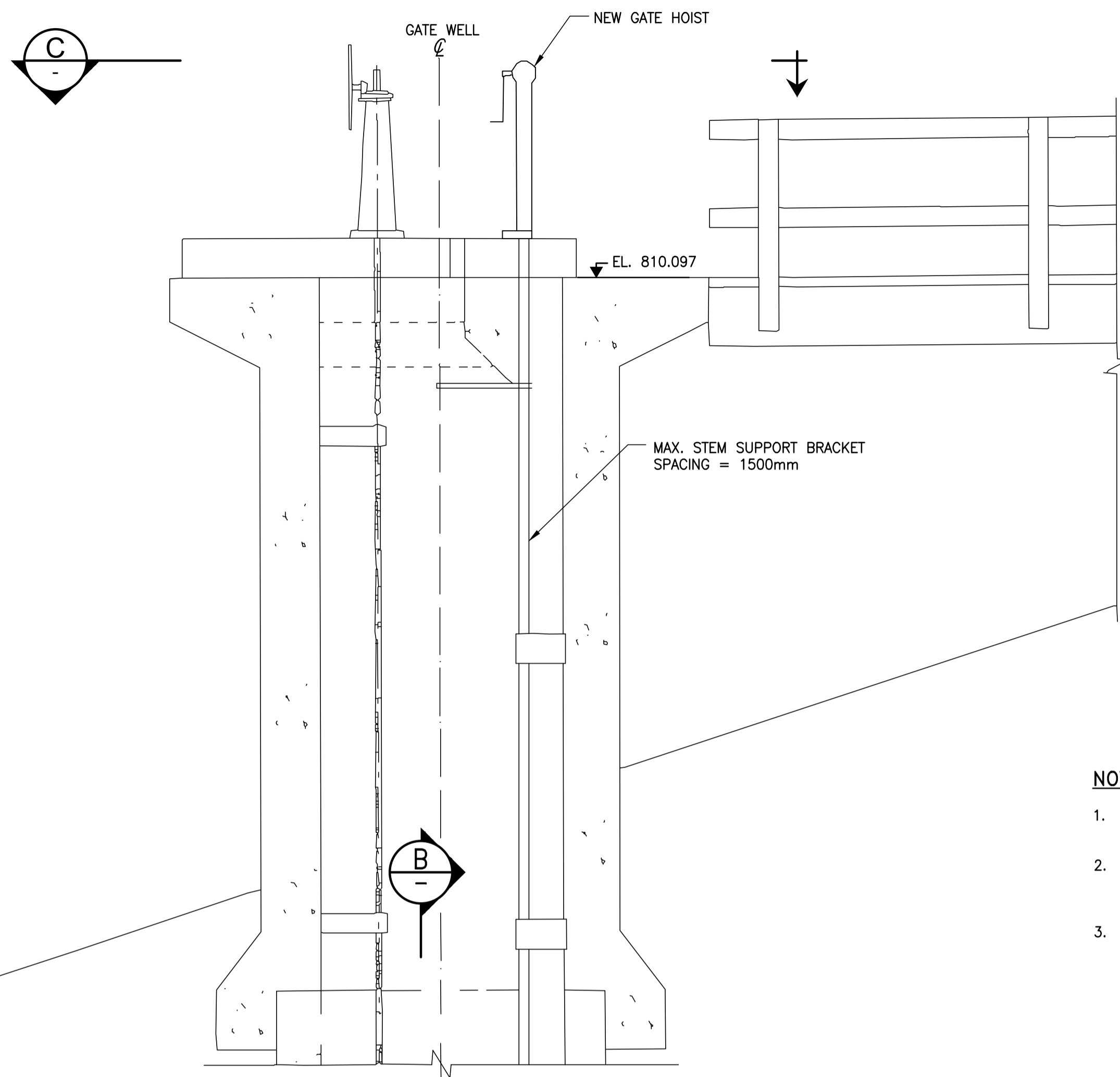
DWG. NO. 16-0217-003 S02	REV: 0
--------------------------	--------

NO.	YY/MM/DD	DESCRIPTION	DESIGN BY	DESIGN CHECK
0	18/01/31	ISSUED FOR TENDER	NK	GDM

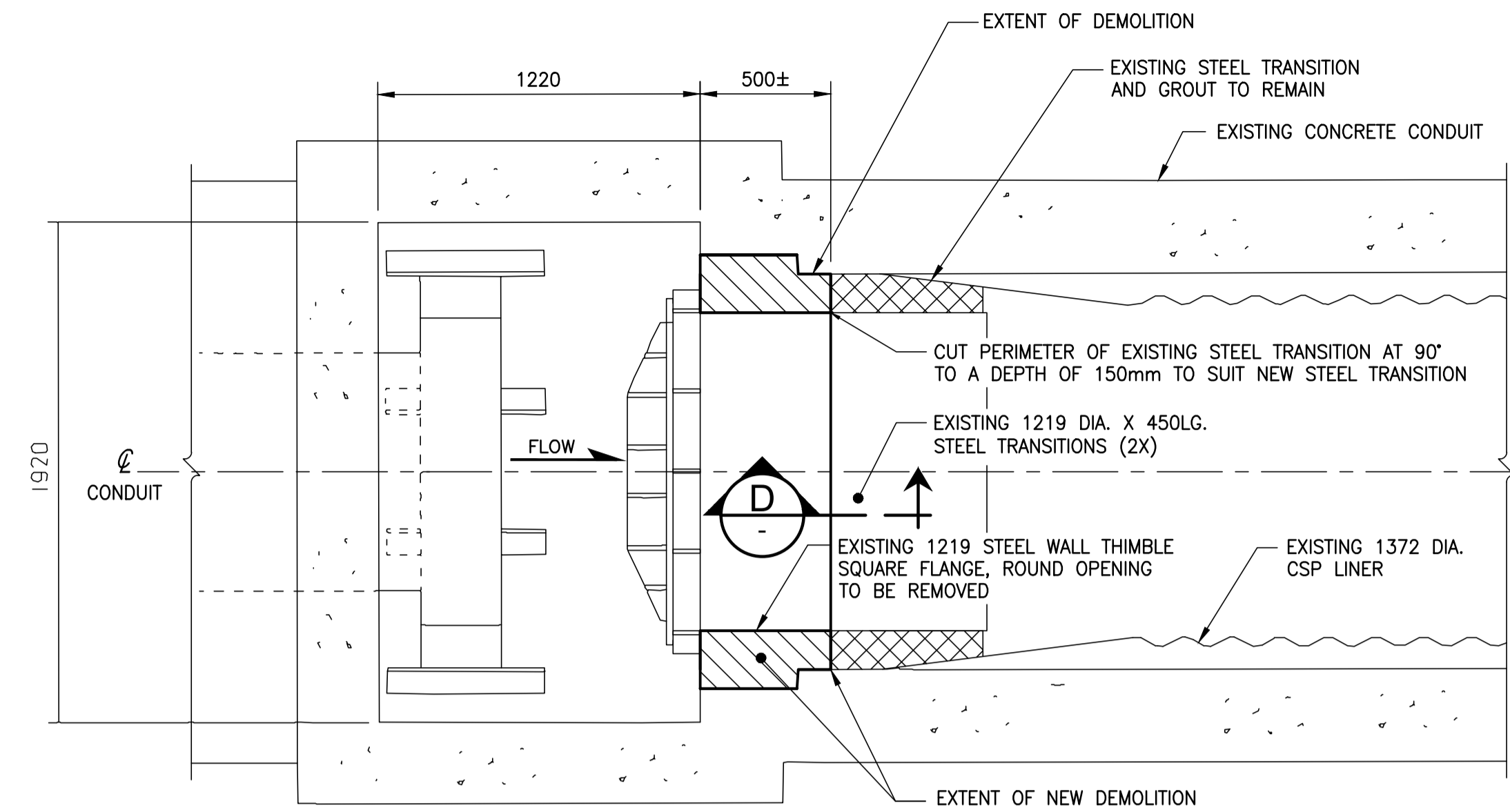
CLIENT:
 Agriculture and Agri-Food Canada / Agriculture et Agroalimentaire Canada

PROJECT:
DUNCAIRN DAM PROJECT
 RIPARIAN OUTLET WORKS REHABILITATION
 DOWNSTREAM SLIDE GATE REPLACEMENT

DWG. DESCRIPTION:
 EXISTING GEOMETRY



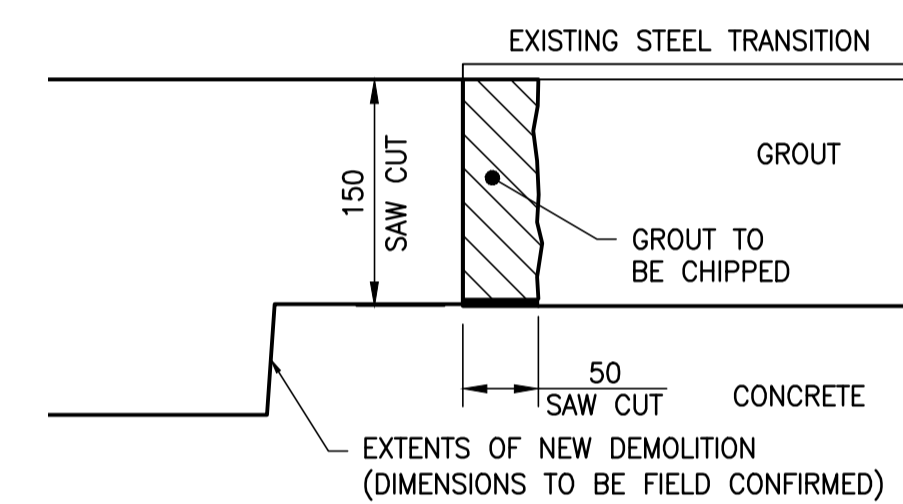
C PLAN - MECH. ARRANGEMENT
SCALE: 1:30



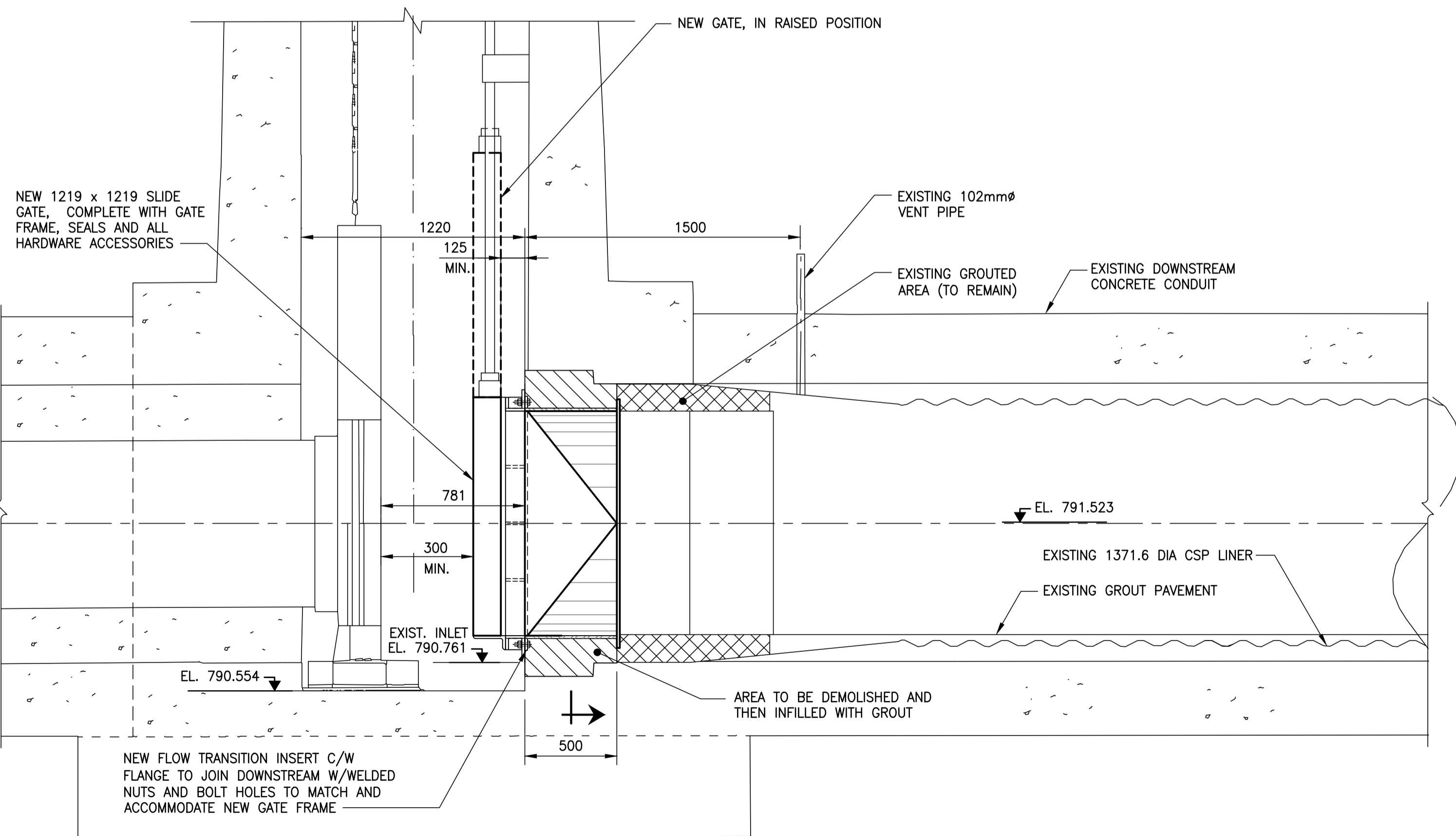
A PLAN - DEMOLITION
SCALE: 1:20

NOTES:

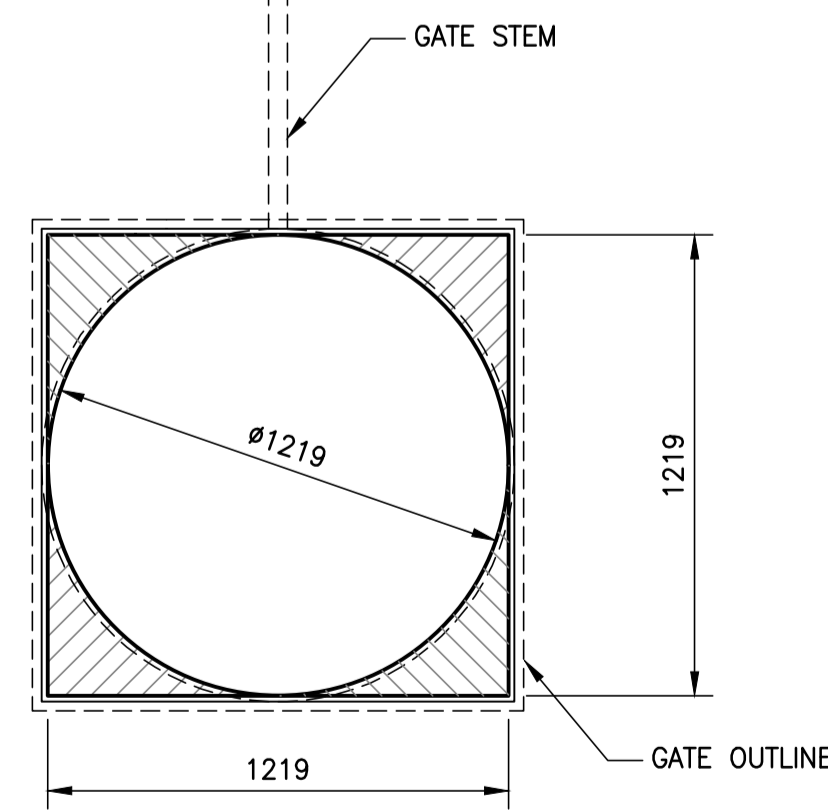
1. REMOVE AND DISPOSE OF THE EXISTING DOWNSTREAM SLIDE GATE INCLUDING ALL HARDWARE.
2. EXCAVATE EXISTING CONCRETE MATERIALS AS SHOWN. REMOVE ALL OLD EXISTING GROUT NIPPLES AND INJECTION PORTS.
3. CLEAN THE EXISTING STEEL TRANSITION AND EXPOSED CONCRETE OR GROUT SURFACES IN THE AREA OF THE NEW 1219 DIA. STEEL TRANSITION.



D DEMOLITION DETAILS AT JOINT
SCALE: 1:5



PROFILE - DOWNSTREAM CONDUIT LINING
SCALE: 1:20



B SECTION
SCALE: 1:20

FOR TENDER ONLY
NOT TO BE USED FOR CONSTRUCTION

1	18/02/21	RE-ISSUED FOR TENDER	NK	GDM
0	18/01/31	ISSUED FOR TENDER	NK	GDM

REVISIONS / ISSUE				
NO.	YY/MM/DD	DESCRIPTION	DESIGN BY	DESIGN CHECK
CLIENT: Agriculture and Agri-Food Canada / Agriculture et Agroalimentaire Canada				

AAFC DWG. NO. _____
PROJECT: **DUNCAIRN DAM PROJECT**
RIPARIAN OUTLET WORKS REHABILITATION
DOWNSTREAM SLIDE GATE REPLACEMENT
DWG. DESCRIPTION: **GATE, FRAME AND THIMBLE REPLACEMENT**

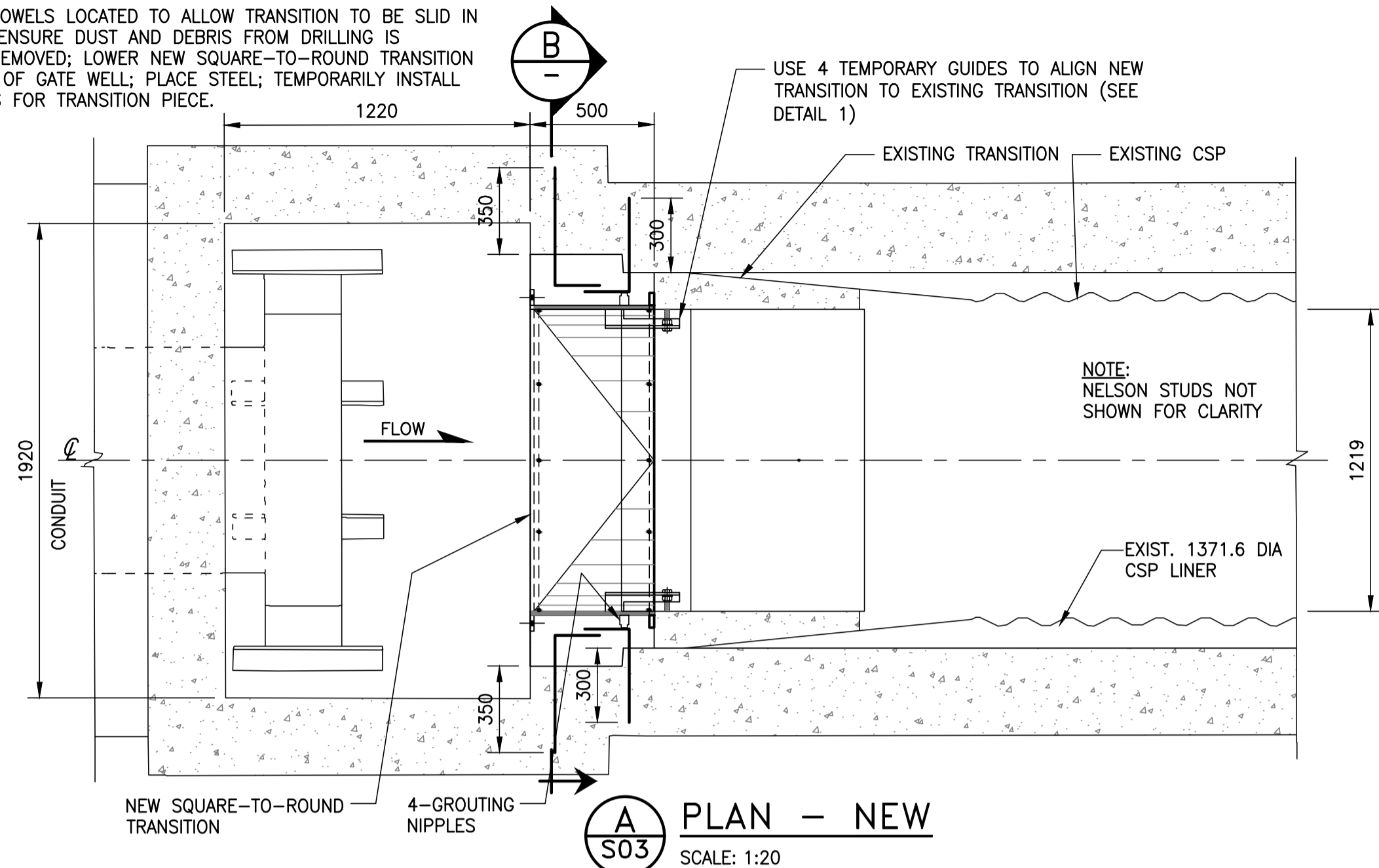
AUTHENTICATION FOR CURRENT REVISION
ENG. STAMP

KGS GROUP CONSULTING ENGINEERS	DESIGN BY: NK	DATE: 17/12/22
	DESIGN CHECK: GDM	DATE: 18/01/31
	DRAWN BY: KJC	DATE: 17/12/22
	DWG CHECK: NK	DATE: 18/01/31
DWG. NO. 16-0217-003 S03	REV: 1	

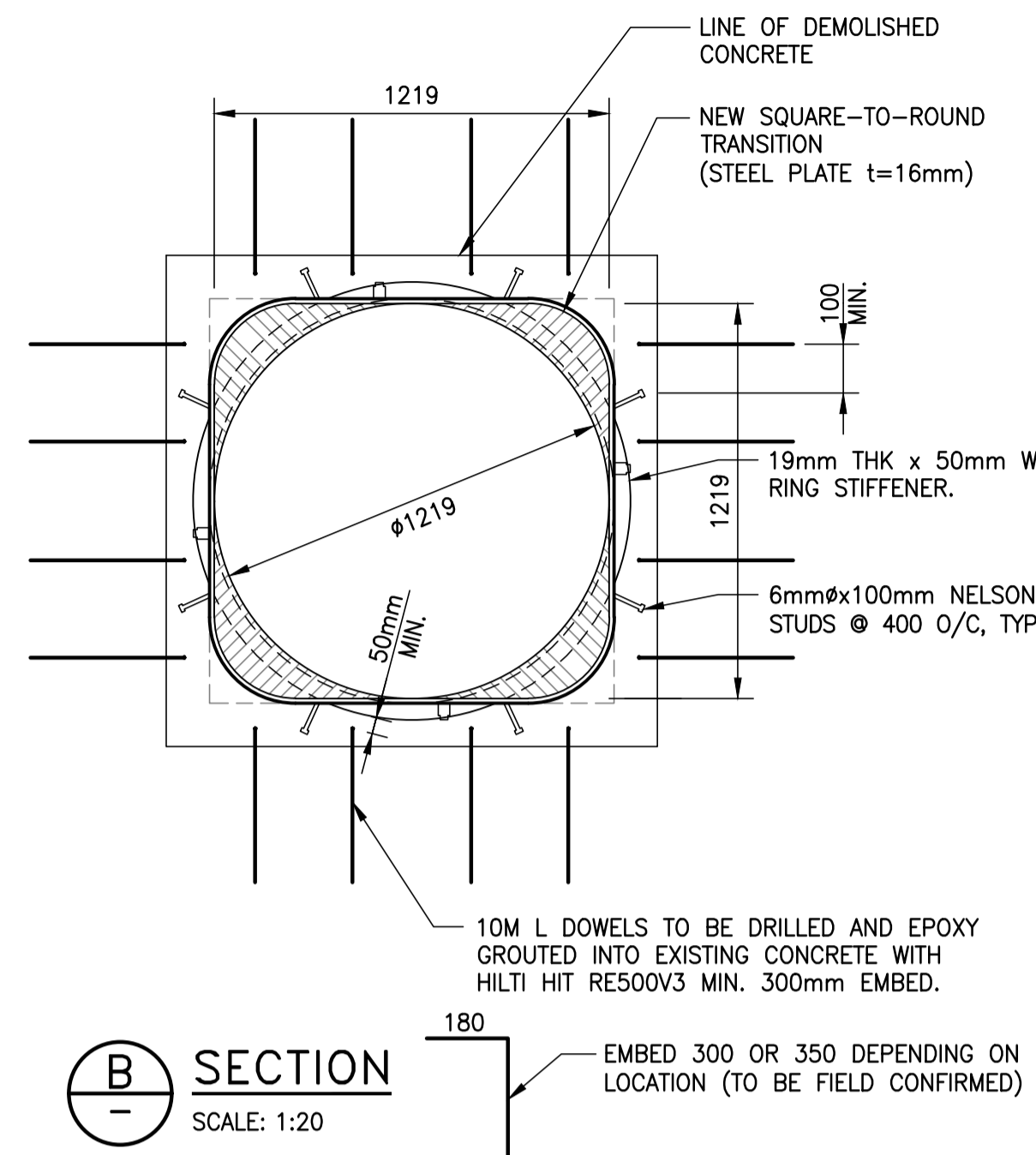
File Name: U:\Projects\16-0217-003\16-0217-003_S03.dwg - Tab: S03 Plotted By: kcopek 18/02/21 [Wed 10:05am] Z:\X36/PL01 SCALE: 1=1

STEP 1:

INSTALL 10M L DOWELS LOCATED TO ALLOW TRANSITION TO BE SLID IN AND BACK OUT. ENSURE DUST AND DEBRIS FROM DRILLING IS CAPTURED AND REMOVED; LOWER NEW SQUARE-TO-ROUND TRANSITION FROM TOP DECK OF GATE WELL; PLACE STEEL; TEMPORARILY INSTALL BLOCK SUPPORTS FOR TRANSITION PIECE.



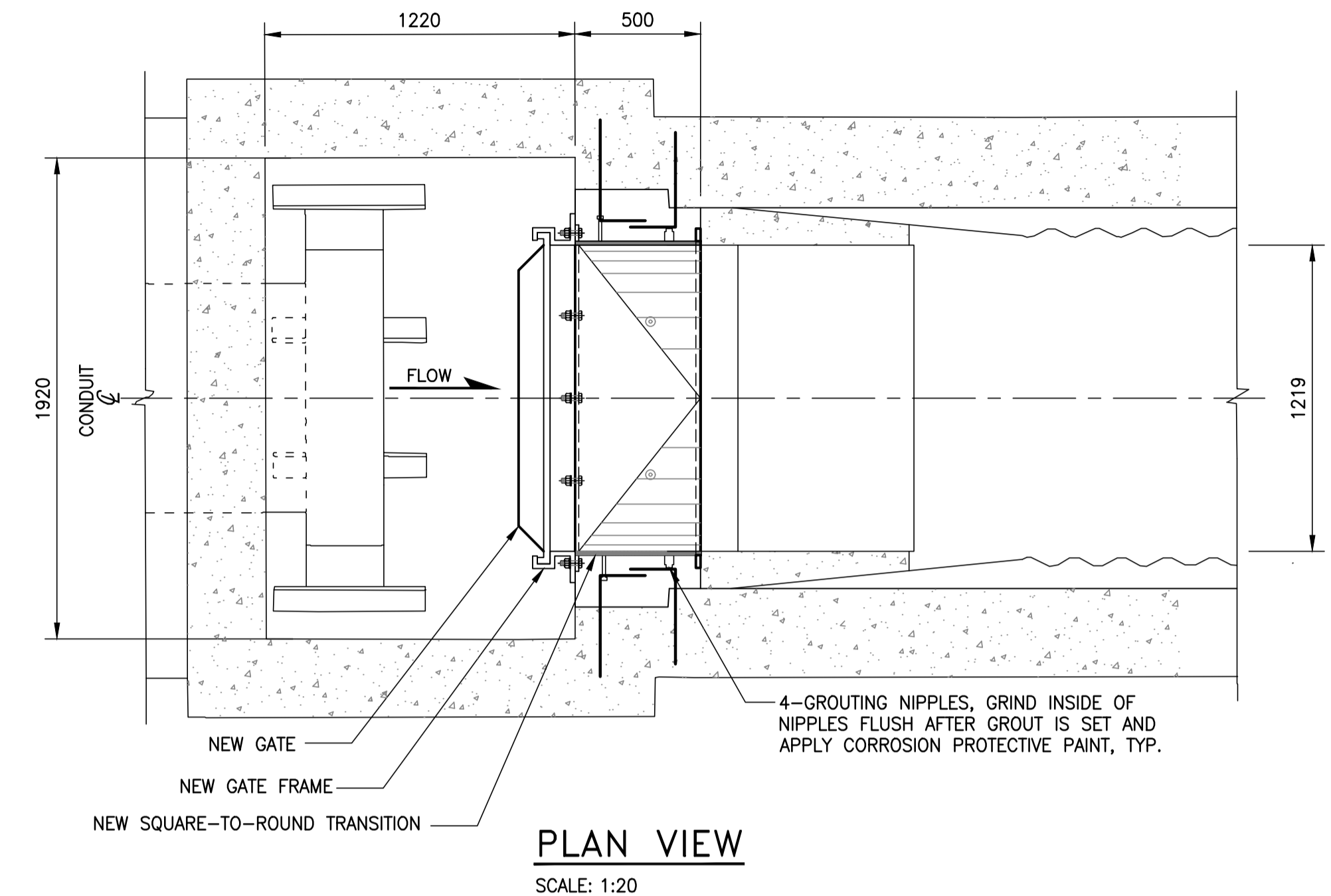
A PLAN - NEW
SCALE: 1:20



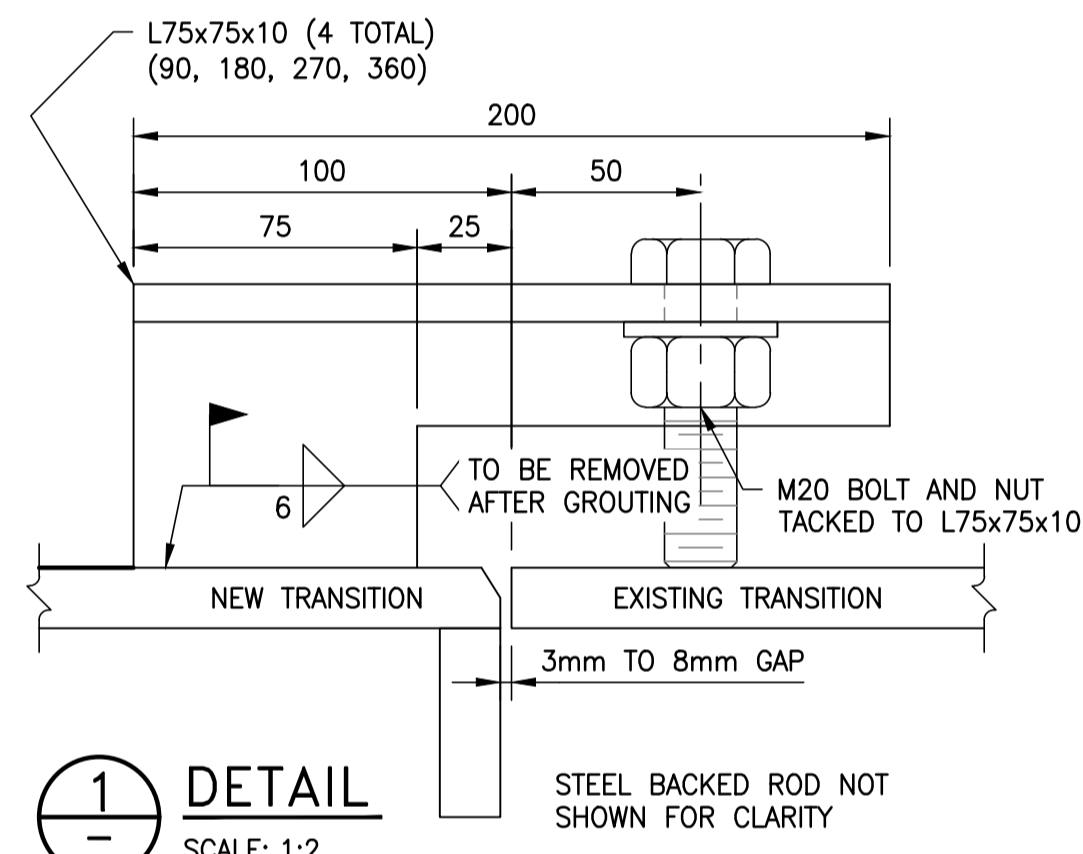
B SECTION
SCALE: 1:20

STEP 3:

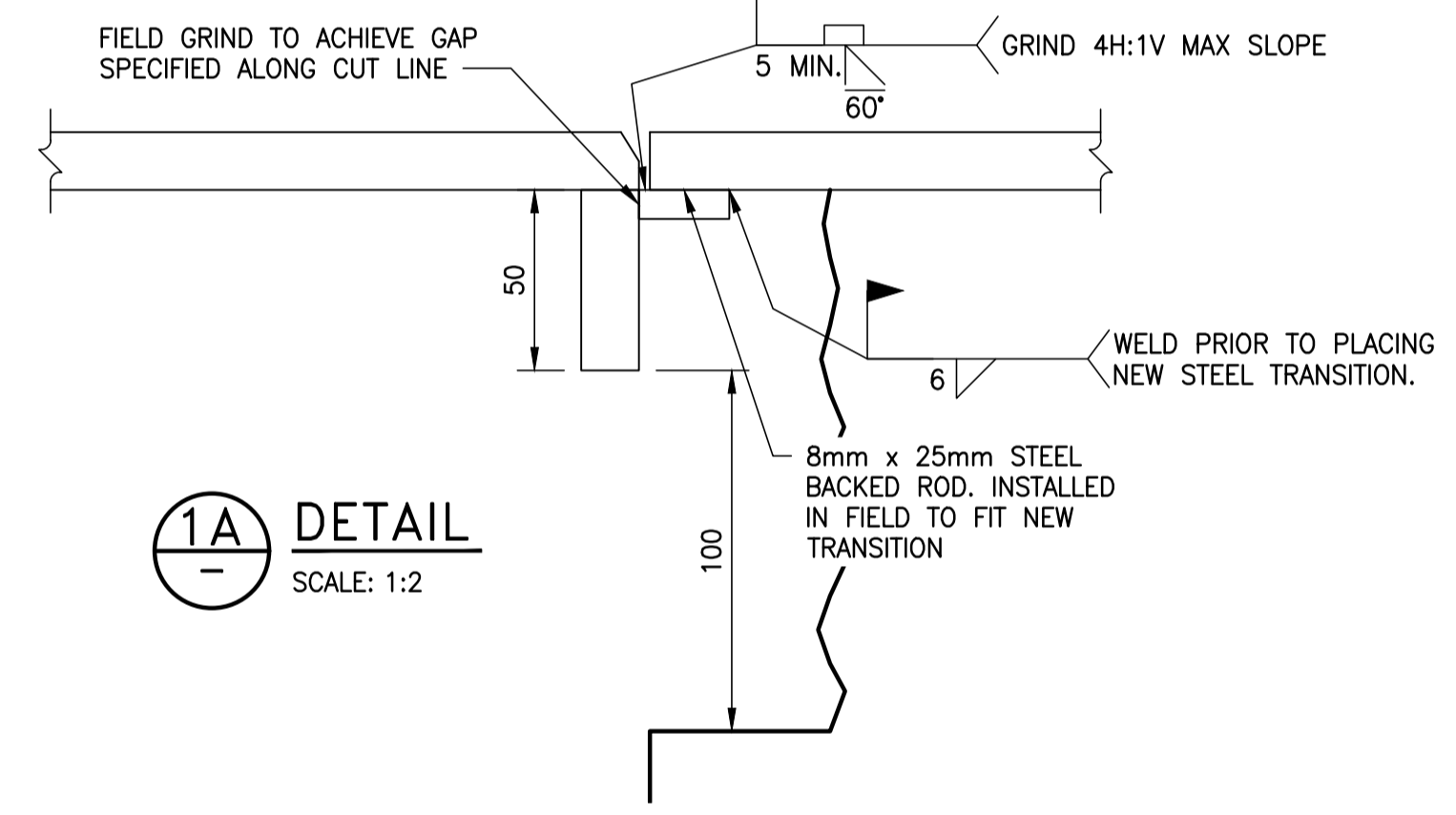
ALIGN STEEL TRANSITION, AND GATE FRAME, TEMPORARILY SUPPORT ASSEMBLY, WELD NEW TRANSITION TO EXISTING TRANSITION, MONITOR ALIGNMENT DURING WELDING (WILL REQUIRE WELDING PROCEDURE TO BE SUBMITTED BY THE CONTRACTOR FOR REVIEW AND APPROVAL TO MINIMIZE POTENTIAL FOR DISTORTING);



PLAN VIEW
SCALE: 1:20



1 DETAIL
SCALE: 1:2



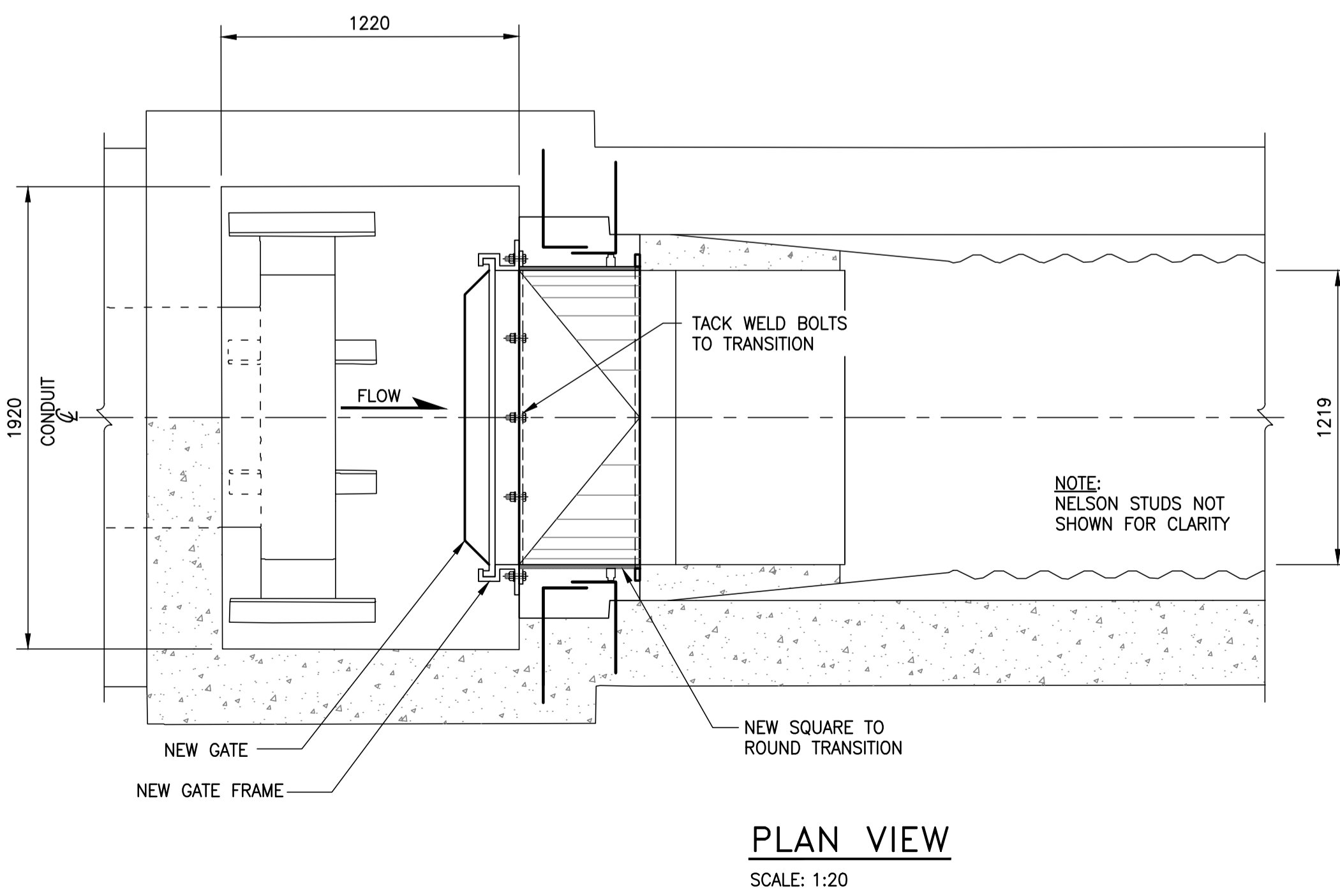
1A DETAIL
SCALE: 1:2

STEP 2:

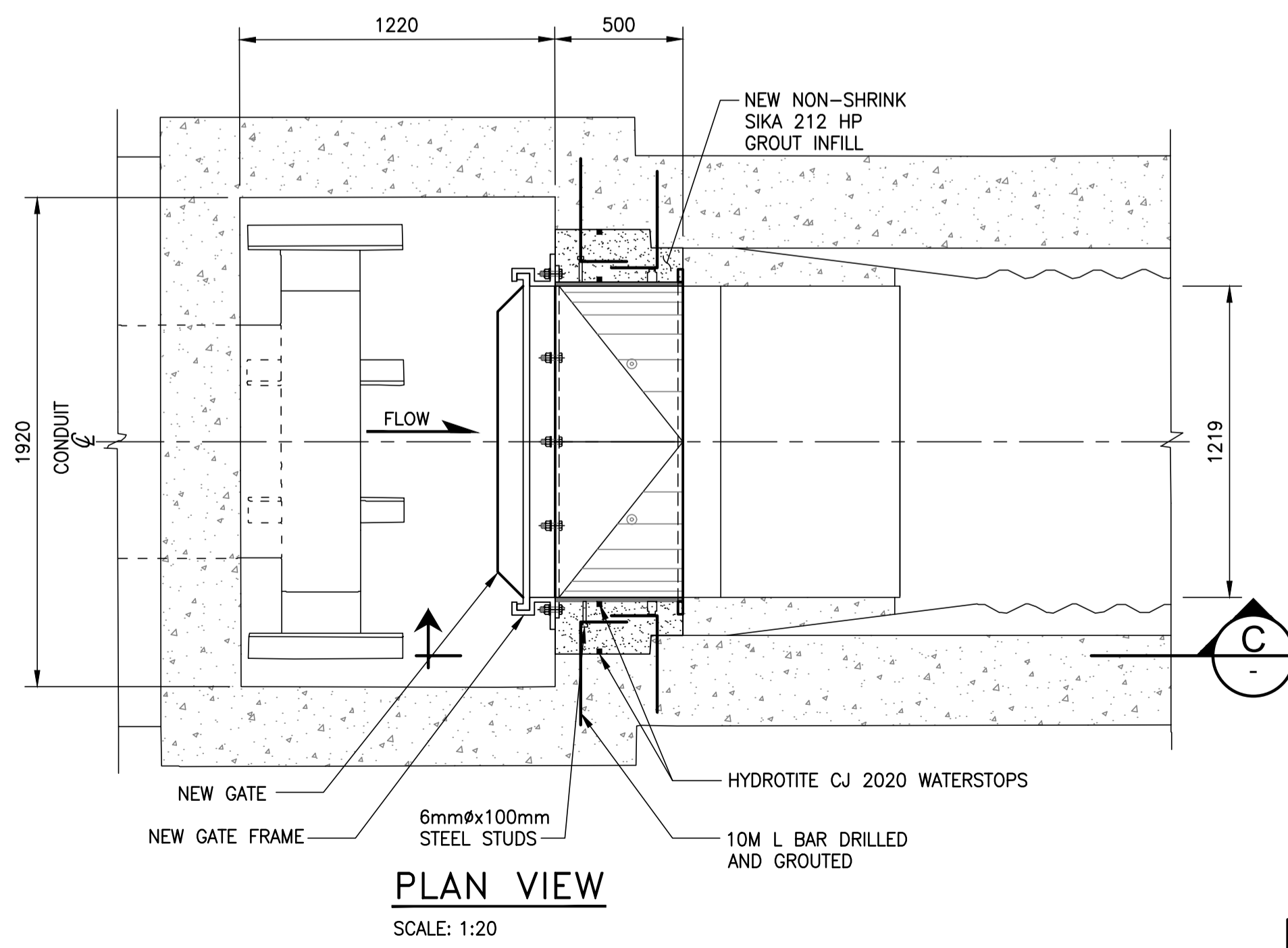
TEMPORARILY SUPPORT FLOW TRANSITION, BOLT GATE FRAME AND GATE TO FLOW TRANSITION. ENSURE GATE OPERATION THEN REMOVE GATE UNTIL AFTER STEP 4

STEP 4:

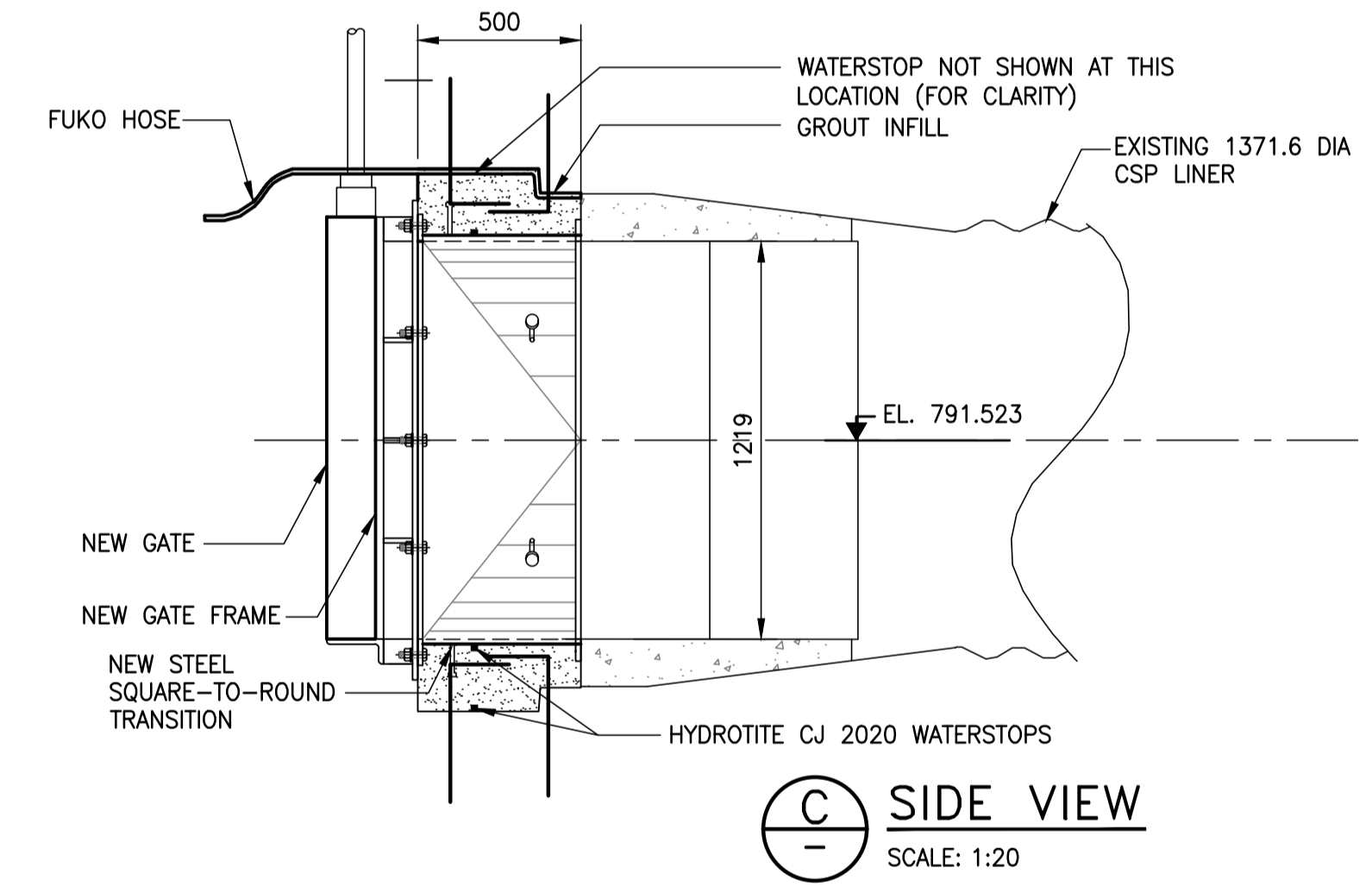
PLACE AND INJECT GROUT AROUND STEEL TRANSITION BY INJECTING THROUGH FORMWORK AND NIPPLES; AFTER GROUT IS CURED, GRIND OFF NIPPLES, ALIGNMENT ANGLES, PLUG WELD ALL REMAINING HOLES FROM THE INSERTS; GRIND FLUSH AND INSTALL CORROSION PROTECTIVE PAINT. RECONFIRM GATE FRAME ALIGNMENT, AND REINSTALL GATE.



PLAN VIEW
SCALE: 1:20



PLAN VIEW
SCALE: 1:20



C SIDE VIEW
SCALE: 1:20

1	18/02/21	RE-ISSUED FOR TENDER	NK	GDM
0	18/01/31	ISSUED FOR TENDER	NK	GDM
NO.	YY/MM/DD	DESCRIPTION	DESIGN BY	DESIGN CHECK
REVISIONS / ISSUE				

CLIENT:
 Agriculture and Agri-Food Canada / Agriculture et Agroalimentaire Canada

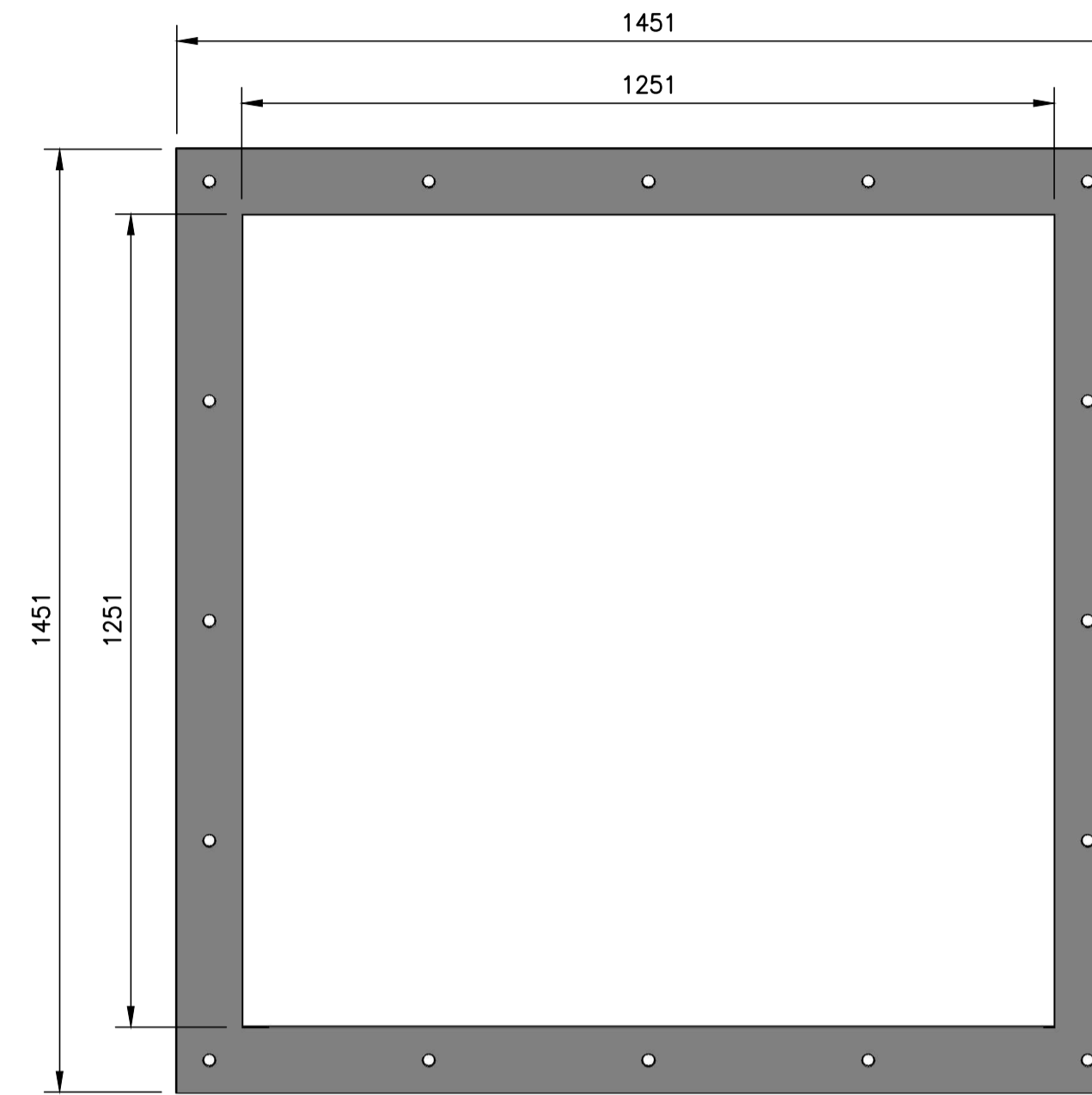
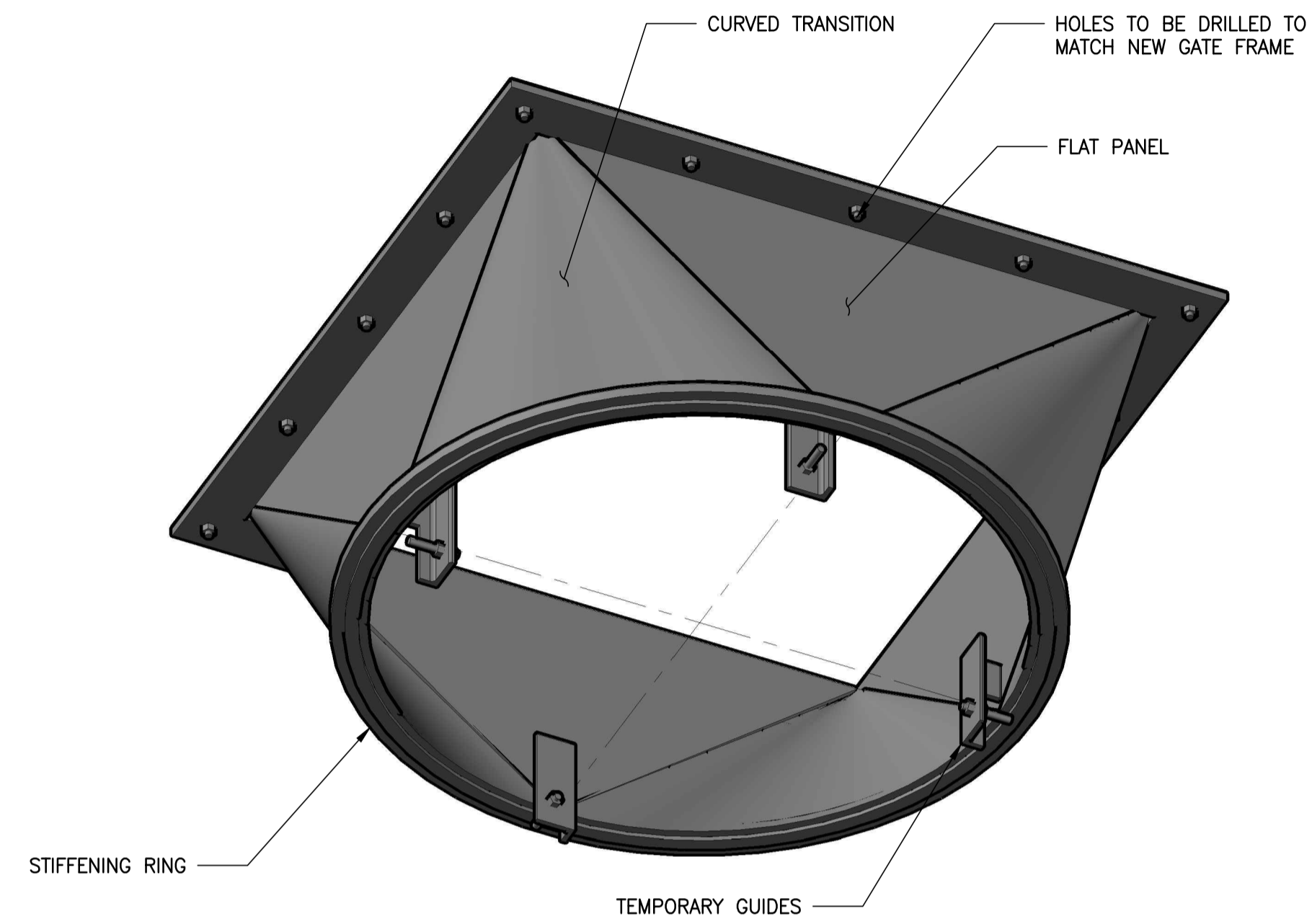
PROJECT:
DUNCAIRN DAM PROJECT
RIPARIAN OUTLET WORKS REHABILITATION
DOWNSTREAM SLIDE GATE REPLACEMENT

DWG. DESCRIPTION:
GATE, FRAME AND THIMBLE REPLACEMENT

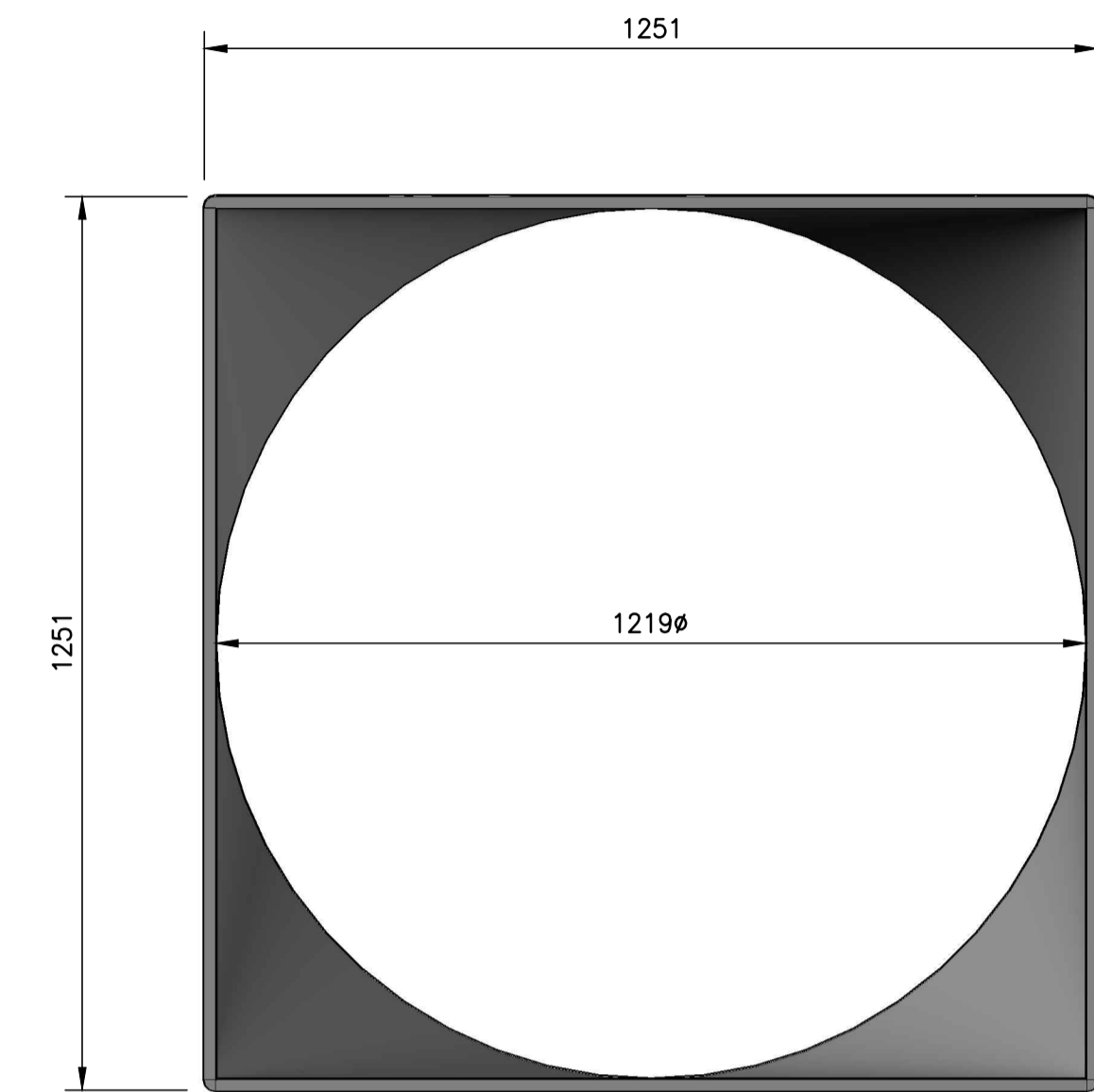
AUTHENTICATION FOR CURRENT REVISION ENG. STAMP	DESIGN BY: NK	DATE: 17/12/22
	DESIGN CHECK: GDM	DATE: 18/01/31
	DRAWN BY: KJC	DATE: 17/12/22
	DWG CHECK: NK	DATE: 18/01/31
DWG. NO. 16-0217-003 S04		REV: 1

FOR TENDER ONLY
 NOT TO BE USED FOR CONSTRUCTION

File Name: U:\Projects\16-0217-003\16-0217-003_S04.dwg - Tab: S04 Plotted By: kcopek 18/02/21 [Wed 11:13am] Z:\X36\FLOT SCALE: 1=1



NEW STEEL – FRAME TO NEW GATE
SCALE: N.T.S.

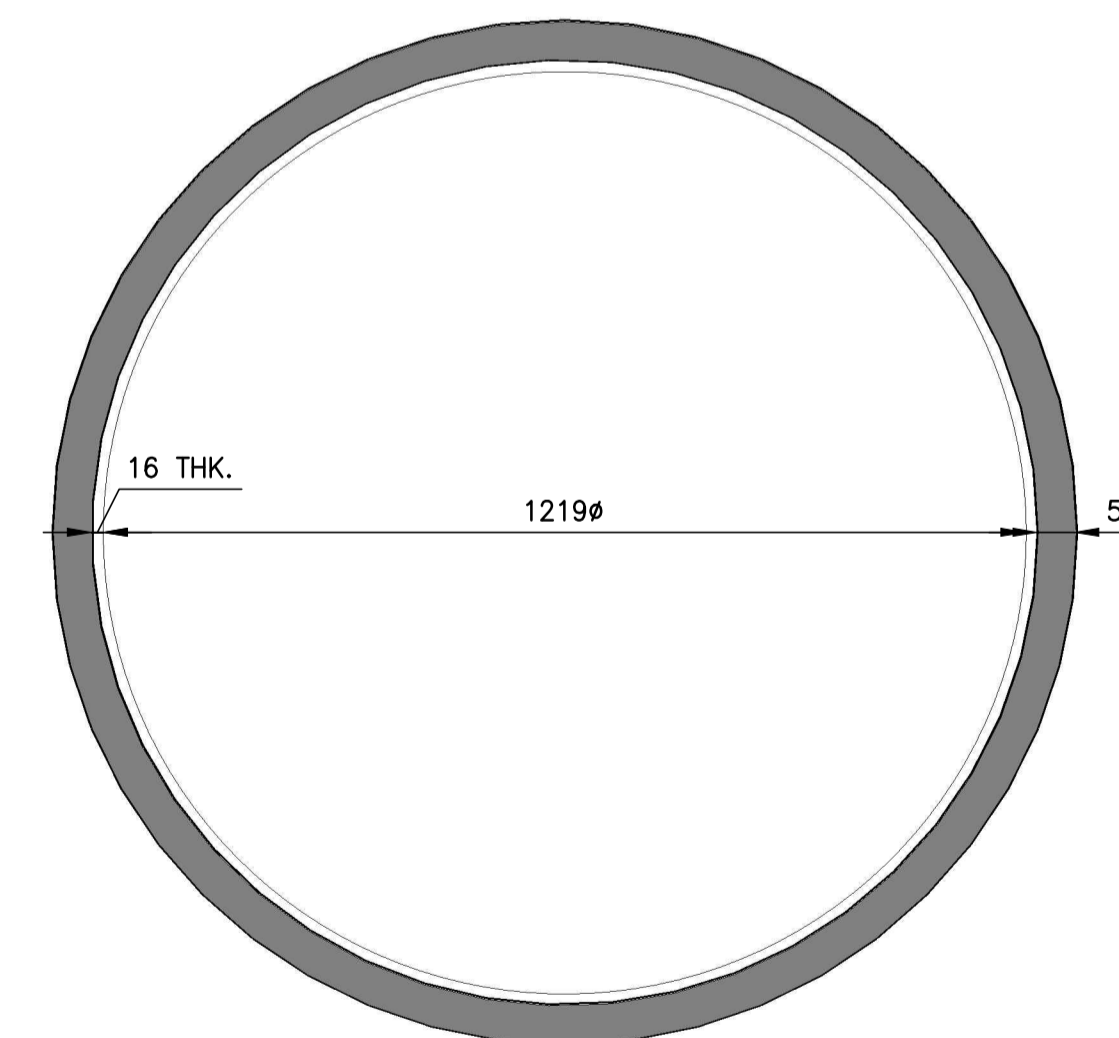


NEW STEEL – SQUARE TO ROUND TRANSITION
SCALE: N.T.S. (TEMPORARY GUIDES NOT SHOWN FOR CLARITY)

NEW STEEL – SQUARE TO ROUND TRANSITION
SCALE: N.T.S.

NOTE:

1. NELSON STUDS AND GROUTING NIPPLES NOT SHOWN FOR CLARITY.
2. ALL SURFACES SYMMETRICAL ABOUT CENTER AXIS.
3. ALL FLOW TRANSITION COMPONENTS TO BE SHOP PAINTED WITH AMERLOCK 2 EPOXY PAINT AS PER TECHNICAL SPECIFICATIONS.



NEW STEEL – RING STIFFENER
SCALE: N.T.S.

FOR TENDER ONLY
NOT TO BE USED FOR CONSTRUCTION

0	18/01/31	ISSUED FOR TENDER	NK	GDM
---	----------	-------------------	----	-----

NO.	YY/MM/DD	DESCRIPTION	DESIGN BY	DESIGN CHECK
REVISIONS / ISSUE				

CLIENT:
 Agriculture and Agri-Food Canada / Agriculture et Agroalimentaire Canada

PROJECT:
 DUNCAIRN DAM PROJECT
 RIPARIAN OUTLET WORKS REHABILITATION
 DOWNSTREAM SLIDE GATE REPLACEMENT

DWG. DESCRIPTION:
 ISOMETRIC VIEW OF NEW STEEL TRANSITION

AUTHENTICATION FOR CURRENT REVISION
 ENG. STAMP

KGS GROUP CONSULTING ENGINEERS	DESIGN BY: NK	DATE (YY/MM/DD): 17/12/22
	DESIGN CHECK:	DATE:
	DRAWN BY: KJC	DATE: 17/12/22
	DWG CHECK:	DATE:

AAFC DWG. NO.	DWG. NO. 16-0217-003 S05	REV: 0
---------------	--------------------------	--------