



**RETURN BIDS TO:**

**RETOURNER LES SOUMISSIONS À:**

Public Works and Government Services Canada  
ATB Place North Tower  
10025 Jasper Ave./10025 ave. Jasper  
5th floor/5e étage  
Edmonton  
Alberta  
T5J 1S6  
Bid Fax: (780) 497-3510

**SOLICITATION AMENDMENT  
MODIFICATION DE L'INVITATION**

The referenced document is hereby revised; unless otherwise indicated, all other terms and conditions of the Solicitation remain the same.

Ce document est par la présente révisé; sauf indication contraire, les modalités de l'invitation demeurent les mêmes.

**Comments - Commentaires**

**Vendor/Firm Name and Address  
Raison sociale et adresse du  
fournisseur/de l'entrepreneur**

**Issuing Office - Bureau de distribution**  
Public Works and Government Services Canada  
ATB Place North Tower  
10025 Jasper Ave./10025 ave Jasper  
5th floor/5e étage  
Edmonton  
Alberta  
T5J 1S6

<b>Title - Sujet</b> EIFW Boiler Replacement	
<b>Solicitation No. - N° de l'invitation</b> EW038-190746/A	<b>Amendment No. - N° modif.</b> 001
<b>Client Reference No. - N° de référence du client</b> CSC	<b>Date</b> 2018-07-18
<b>GETS Reference No. - N° de référence de SEAG</b> PW-\$PWU-183-11403	
<b>File No. - N° de dossier</b> PWU-8-41050 (183)	<b>CCC No./N° CCC - FMS No./N° VME</b>
<b>Solicitation Closes - L'invitation prend fin at - à 02:00 PM on - le 2018-07-30</b>	<b>Time Zone Fuseau horaire</b> Mountain Daylight Saving Time MDT
<b>F.O.B. - F.A.B.</b> <b>Plant-Usine:</b> <input type="checkbox"/> <b>Destination:</b> <input type="checkbox"/> <b>Other-Autre:</b> <input type="checkbox"/>	
<b>Address Enquiries to: - Adresser toutes questions à:</b> Tikhonovitch (RPC), Alex	<b>Buyer Id - Id de l'acheteur</b> pwu183
<b>Telephone No. - N° de téléphone</b> (780) 901-7940 ( )	<b>FAX No. - N° de FAX</b> (780) 497-3510
<b>Destination - of Goods, Services, and Construction: Destination - des biens, services et construction:</b>	

**Instructions: See Herein**

**Instructions: Voir aux présentes**

<b>Delivery Required - Livraison exigée</b>	<b>Delivery Offered - Livraison proposée</b>
<b>Vendor/Firm Name and Address Raison sociale et adresse du fournisseur/de l'entrepreneur</b>	
<b>Telephone No. - N° de téléphone Facsimile No. - N° de télécopieur</b>	
<b>Name and title of person authorized to sign on behalf of Vendor/Firm (type or print) Nom et titre de la personne autorisée à signer au nom du fournisseur/ de l'entrepreneur (taper ou écrire en caractères d'imprimerie)</b>	
<b>Signature</b>	<b>Date</b>

# ADDENDUM M-001

---

---

## TO ALL BIDDERS OF RECORD

### **General Notes:**

1. *This Addendum is used prior to Tender closing to provide for certain revisions as noted herein.*
  2. *All such revisions will become part of the Work and the effects shall be included in the Tender Price.*
- 

### **1.0 NEW WALL PENETRATION INSTRUCTIONS**

- 1.1 Cut opening through existing wall construction to suit boiler manufacturer supplied collar. Provide J-trim around perimeter of opening on exterior vinyl siding.
- 1.2 Provide blocking to create wall opening to match existing wall construction.
- 1.3 Lap and seal air and vapour barriers to new blocking.
- 1.4 Patch interior wall finish to match existing.
- 1.5 Provide sheet metal liner around interior of penetration.
- 1.6 Route new flue through new opening c/w manufacturer supplied collar.
- 1.7 Provide interior and exterior wall caps/ escutcheons overtop of flue. Seal all around with high temperature sealant.
- 1.8 See the attached MSK-1 for details of the existing wall construction.

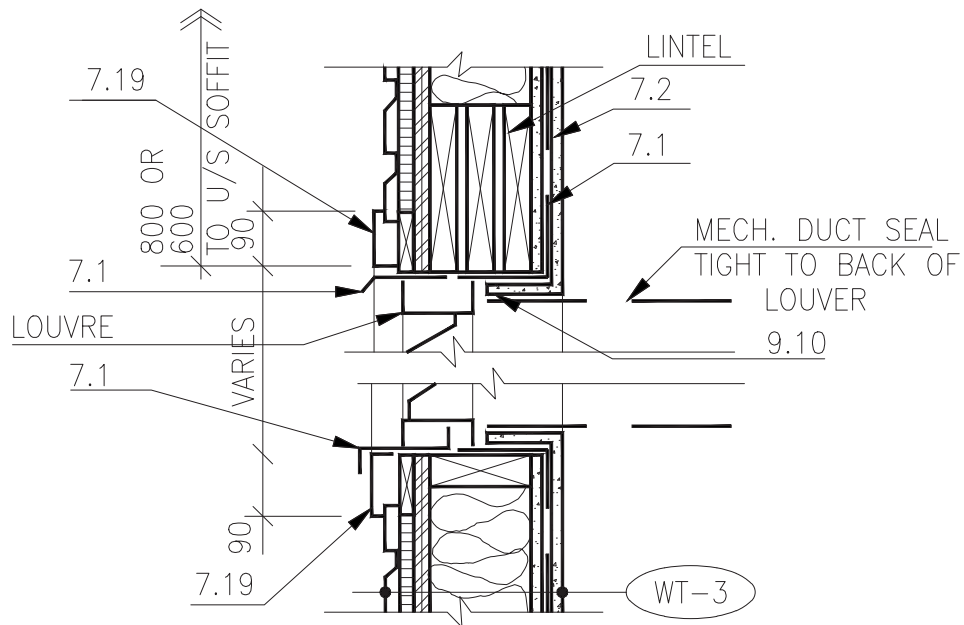
# CONSTRUCTION NOTES

## EXTERIOR WALL TYPES

- WT-3 VINYL SIDING  
 MOISTURE BARRIER MEMBRANE  
 25mm RIGID INSULATION BOARD  
 13mm PLYWOOD SHEATHING  
 38 x 140mm WOOD STUDS @ 305mm OR 406mm O.C.  
 (SEE STRUCTURAL)  
 140mm BATT INSULATION  
 13mm GYPSUM BOARD AIR SEAL  
 POLY VAPOUR RETARDER  
 13mm GYPSUM BOARD

## KEYNOTES

- 7.0 THERMAL & MOISTURE PROTECTION  
 7.1 AIR SEAL MEMBRANE  
 7.2 POLY VAPOUR RETARDER  
 7.19 VINYL TRIM - 90 x 30mm  
 9.0 FINISHES  
 9.10 SQUARE EDGE PLASTER STOP



1200, 10909 Jasper Avenue NW  
 Edmonton, AB, Canada T5J 3L9  
 Tel.: +1 780-410-6740  
 Fax: +1 780-449-4050  
 wsp.com

TITLE:

WALL  
 PENETRATION  
 SECTION DETAIL

SCALE:

n.t.s.

DATE:

2018/06/21

PROJECT NO:

171-15291

REVISION:

-

DRAWING NO:

MSK1