



RETURN BIDS TO:

RETOURNER LES SOUMISSIONS À:

Public Works and Government Services Canada
ATB Place North Tower
10025 Jasper Ave./10025 ave. Jasper
5th floor/5e étage
Edmonton
Alberta
T5J 1S6
Bid Fax: (780) 497-3510

**SOLICITATION AMENDMENT
MODIFICATION DE L'INVITATION**

The referenced document is hereby revised; unless otherwise indicated, all other terms and conditions of the Solicitation remain the same.

Ce document est par la présente révisé; sauf indication contraire, les modalités de l'invitation demeurent les mêmes.

Comments - Commentaires

**Vendor/Firm Name and Address
Raison sociale et adresse du
fournisseur/de l'entrepreneur**

Issuing Office - Bureau de distribution
Public Works and Government Services Canada
ATB Place North Tower
10025 Jasper Ave./10025 ave Jasper
5th floor/5e étage
Edmonton
Alberta
T5J 1S6

Title - Sujet EIFW Boiler Replacement	
Solicitation No. - N° de l'invitation EW038-190746/A	Amendment No. - N° modif. 001
Client Reference No. - N° de référence du client CSC	Date 2018-07-18
GETS Reference No. - N° de référence de SEAG PW-\$PWU-183-11403	
File No. - N° de dossier PWU-8-41050 (183)	CCC No./N° CCC - FMS No./N° VME
Solicitation Closes - L'invitation prend fin at - à 02:00 PM on - le 2018-07-30	Time Zone Fuseau horaire Mountain Daylight Saving Time MDT
F.O.B. - F.A.B. Plant-Usine: <input type="checkbox"/> Destination: <input type="checkbox"/> Other-Autre: <input type="checkbox"/>	
Address Enquiries to: - Adresser toutes questions à: Tikhonovitch (RPC), Alex	Buyer Id - Id de l'acheteur pwu183
Telephone No. - N° de téléphone (780) 901-7940 ()	FAX No. - N° de FAX (780) 497-3510
Destination - of Goods, Services, and Construction: Destination - des biens, services et construction:	

Instructions: See Herein

Instructions: Voir aux présentes

Delivery Required - Livraison exigée	Delivery Offered - Livraison proposée
Vendor/Firm Name and Address Raison sociale et adresse du fournisseur/de l'entrepreneur	
Telephone No. - N° de téléphone Facsimile No. - N° de télécopieur	
Name and title of person authorized to sign on behalf of Vendor/Firm (type or print) Nom et titre de la personne autorisée à signer au nom du fournisseur/ de l'entrepreneur (taper ou écrire en caractères d'imprimerie)	
Signature	Date

ADDENDUM M-001

TO ALL BIDDERS OF RECORD

General Notes:

1. This Addendum is used prior to Tender closing to provide for certain revisions as noted herein.
 2. All such revisions will become part of the Work and the effects shall be included in the Tender Price.
-

1.0 NEW WALL PENETRATION INSTRUCTIONS

- 1.1 Cut opening through existing wall construction to suit boiler manufacturer supplied collar. Provide J-trim around perimeter of opening on exterior vinyl siding.
- 1.2 Provide blocking to create wall opening to match existing wall construction.
- 1.3 Lap and seal air and vapour barriers to new blocking.
- 1.4 Patch interior wall finish to match existing.
- 1.5 Provide sheet metal liner around interior of penetration.
- 1.6 Route new flue through new opening c/w manufacturer supplied collar.
- 1.7 Provide interior and exterior wall caps/ escutcheons overtop of flue. Seal all around with high temperature sealant.
- 1.8 See the attached MSK-1 for details of the existing wall construction.

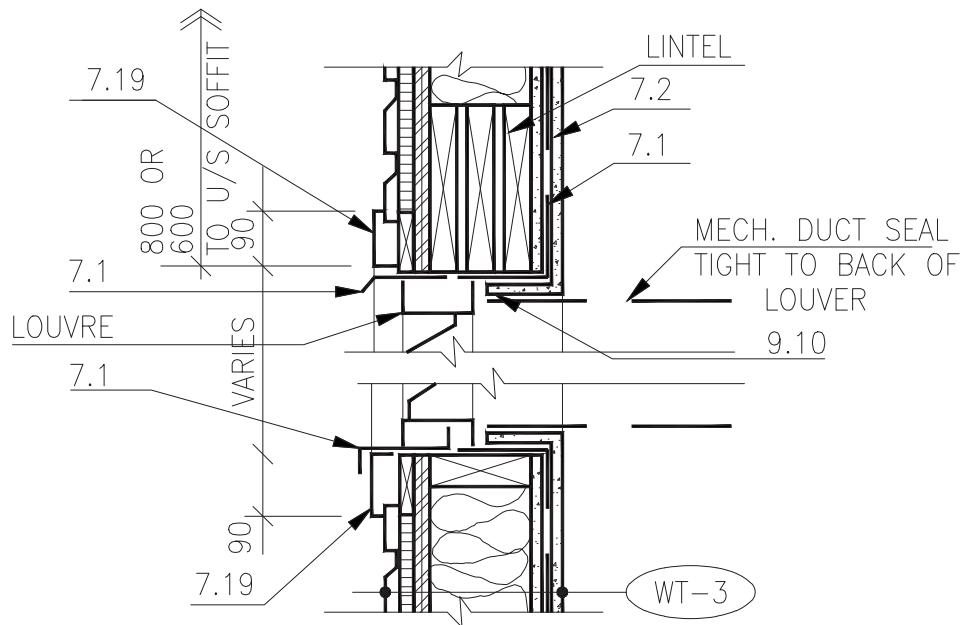
CONSTRUCTION NOTES

EXTERIOR WALL TYPES

- WT-3 VINYL SIDING
 MOISTURE BARRIER MEMBRANE
 25mm RIGID INSULATION BOARD
 13mm PLYWOOD SHEATHING
 38 x 140mm WOOD STUDS @ 305mm OR 406mm O.C.
 (SEE STRUCTURAL)
 140mm BATT INSULATION
 13mm GYPSUM BOARD AIR SEAL
 POLY VAPOUR RETARDER
 13mm GYPSUM BOARD

KEYNOTES

- 7.0 THERMAL & MOISTURE PROTECTION
 7.1 AIR SEAL MEMBRANE
 7.2 POLY VAPOUR RETARDER
 7.19 VINYL TRIM - 90 x 30mm
 9.0 FINISHES
 9.10 SQUARE EDGE PLASTER STOP



1200, 10909 Jasper Avenue NW
 Edmonton, AB, Canada T5J 3L9
 Tel.: +1 780-410-6740
 Fax: +1 780-449-4050
 wsp.com

TITLE:

WALL
 PENETRATION
 SECTION DETAIL

SCALE:

n.t.s.

DATE:

2018/06/21

PROJECT NO:

171-15291

REVISION:

-

DRAWING NO:

MSK1