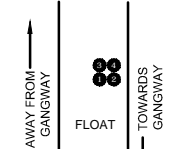


NOTES

1. ALL DIMENSIONS IN METERS.
2. LEGEND DESCRIPTIONS UNDER EACH ICON MAY INCLUDE PILE NUMBERS, LOCATION, LENGTH AND/OR IDENTIFYING SPECIFIC MEMBERS. PILE NUMBERING IS IDENTIFIED BY FLOAT DIRECTION RELATIVE TO THE GANGWAY AND COUNTING LEFT TO RIGHT, ROW BY ROW. SEE EXAMPLE BELOW.
3. FLOAT LAYOUT IS APPROXIMATE AND REFERENCED TO THE SCH TRANSFER PLAN.



REPAIR LEGEND

- (1.3) PILE REPAIRS
- (1.3) MOORING WELL REPAIRS
- (2.1) REMOVE AND DISPOSE CONCRETE DECK PANELS
- (2.2) SUPPLY AND INSTALL TIMBER JOISTS
- (2.3) SUPPLY AND INSTALL TIMBER DECKING
- (2.4) SUPPLY, REMOVE, DISPOSE AND REPLACE TIMBER FASCIA
- (2.5) SUPPLY, REMOVE, DISPOSE AND REPLACE TIMBER BULL RAIL AND RISERS

Public Works and Government Services Canada / Travaux publics et Services gouvernementaux Canada

REAL PROPERTY SERVICES
Western Region
SERVICES IMMOBILIERS
Région de l'ouest

Revision/Version	Description/Description	Date/Date

Fisheries & Oceans Canada
Small Craft Harbours Branch
Pacific Division

200 - 401 Burrard Street
Vancouver, Canada, V6C 3S4

PORT ALBERNI
SMALL CRAFT HARBOUR

Approved by/Approuvé par
M.B.

Designed by/Concept par
J.A.

Drawn by/Dessiné par
WSL

FWSC Project Manager/Administrateur de Projets TP500

FWSC, Architectural and Engineering Resources Manager/Ressources Architectural et de Directeur d'Ingénierie, TP500

GENERAL ARRANGEMENT OF
FLOAT RECONSTRUCTION

Project No./No. du projet: PA-FR

Sheet/Feuille: 001 OF

Revision no./No. de révision:

Revisions/Revisions	Description/Description	Date/Date
---------------------	-------------------------	-----------

Client/Client
**Fisheries & Oceans Canada
Small Craft Harbours Branch
Pacific Division**
200 - 401 Burrard Street
Vancouver, Canada, V6C 3S4

Project title/Titre du projet
**PORT ALBERNI
SMALL CRAFT HARBOUR**

Approved by/Approuvé par
M.B.

Designed by/Concept par
J.A.

Drawn by/Dessiné par
WSL

PWSC Project Manager/Administrateur de Projets TPSCC

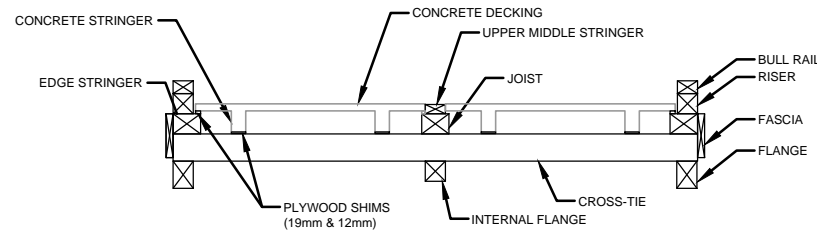
PWSC, Architectural and Engineering Resources Manager/Ressources Architectural et de Directeur d'Ingénierie, TPSCC

Client/Client

Drawing title/Titre du dessin
TYPICAL FLOAT SECTIONS

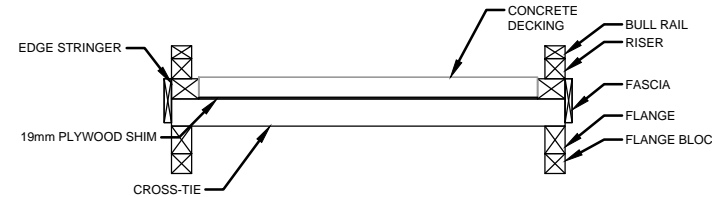
Project No./No. du projet PA-FR	Sheet/Feuille 002 OF	Revision no./No. de révisions
---	-----------------------------------	-------------------------------

- BULL RAIL - 90 x 140
- RISER - 140 x 140
- EDGE STRINGER - 140 x 190
- JOIST - 140 x 190
- CONCRETE DECKING - 50 x 1600
- CONCRETE STRINGER - 195 x 100
- UPPER MIDDLE JOIST - 64 x 140
- CROSS-TIE - 190 x 140
- FLANGE - 190 x 140
- INTERNAL FLANGE - 140 x 140
- FASCIA - 305 x 50
- NOTE: FLOATATION BILLETS EXTENDS 140mm BELOW THE FLANGE



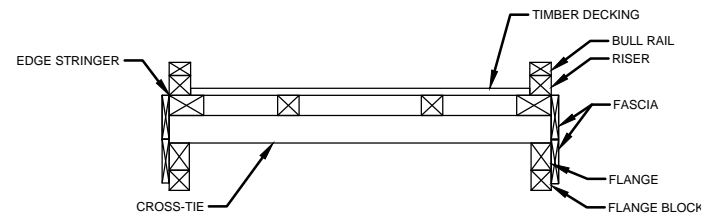
FLOAT A & O COMPONENT DIMENSIONS [V X H(mm)]
SCALE 1:50

- BULL RAIL - 90 x 140
- RISER - 140 x 140
- EDGE STRINGER - 140 x 190
- CONCRETE DECKING - 50 x 2460
- CROSS-TIE - 190 x 140
- FLANGE - 190 x 140
- FLANGE BLOCK - 140 x 140 X 900
- FASCIA - 305 x 50
- NOTE: PLYWOOD SHIM SITS BELOW CONCRETE DECKING



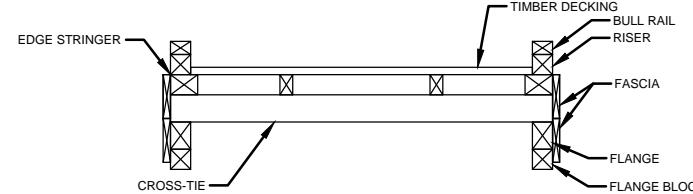
FLOAT B, C, D, E, F, G & H COMPONENT DIMENSIONS [V X H(mm)]
SCALE 1:50

- BULL RAIL - 90 x 150
- RISER - 140 x 145
- EDGE STRINGER - 140 x 240
- TIMBER DECKING - 50 x 305
- CROSS-TIE - 190 x 140
- JOISTS - 140 x 140
- FLANGE - 190 x 140
- FLANGE BLOCK - 140 x 140 x 900
- FASCIA - 305 x 50



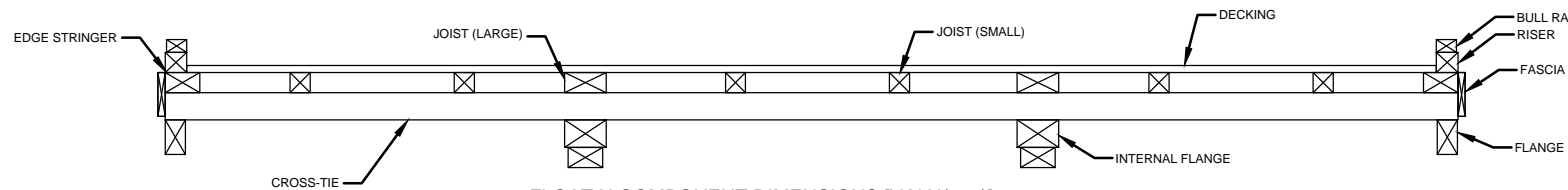
FLOAT K, L, M COMPONENT DIMENSIONS [V X H(mm)]
SCALE 1:50

- BULL RAIL - 90 x 140
- RISER - 140 x 140
- EDGE STRINGER - 140 x 190
- TIMBER DECKING - 50 x 300
- CROSS-TIE - 190 x 140
- JOISTS - 140 x 90
- FLANGE - 190 x 140
- FLANGE BLOCK - 140 x 140 x 900
- FASCIA - 305 x 50



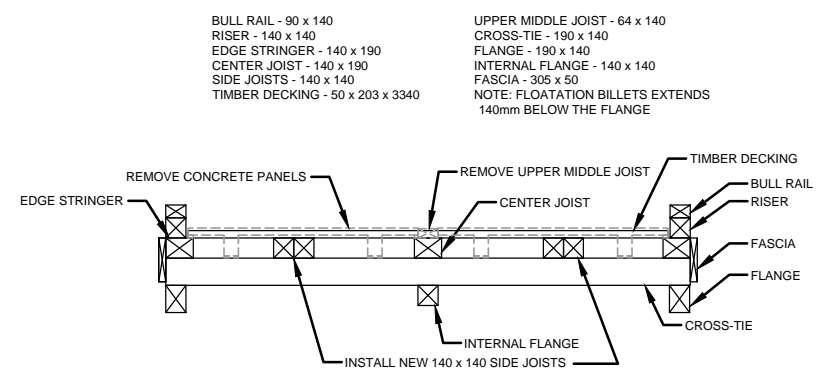
FLOAT I COMPONENT DIMENSIONS [V X H(mm)]
SCALE 1:50

- BULL RAIL - 90 x 140
- RISER - 140 x 150
- EDGE STRINGER - 140 x 240
- JOIST (LARGE) - 190 x 240
- JOIST (SMALL) - 140 x 140
- FLANGE - 190 x 140
- INTERNAL FLANGE - 190 x 240
- INT. FLANGE BLOCKS - 140 x 240 x 900
- CROSS-TIE - 190 x 140
- FASCIA - 240 x 50 (UPPER & LOWER)

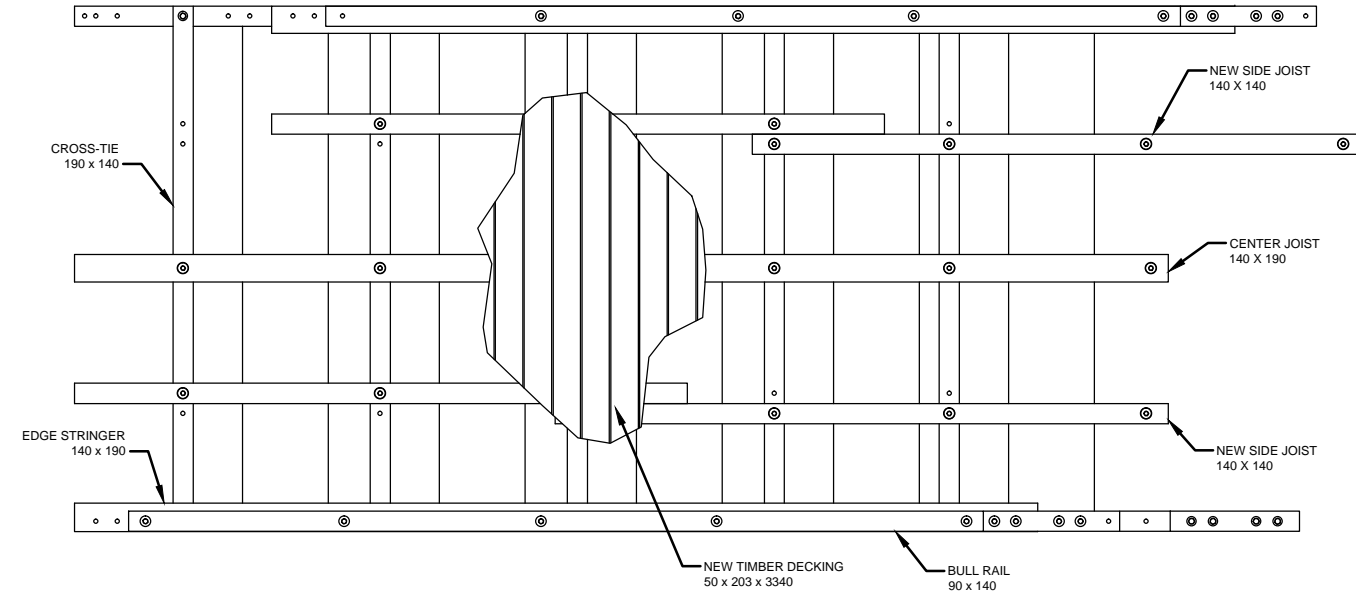


FLOAT N COMPONENT DIMENSIONS [V X H(mm)]
SCALE 1:50

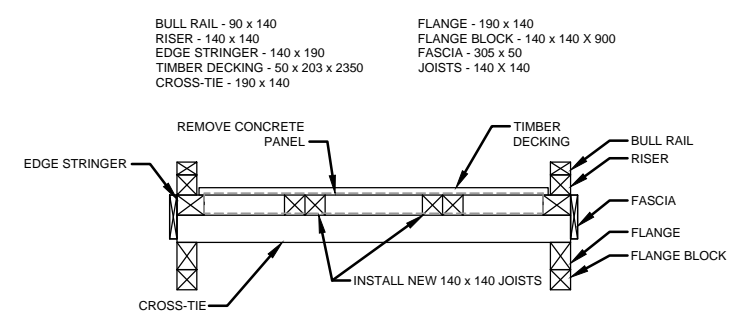




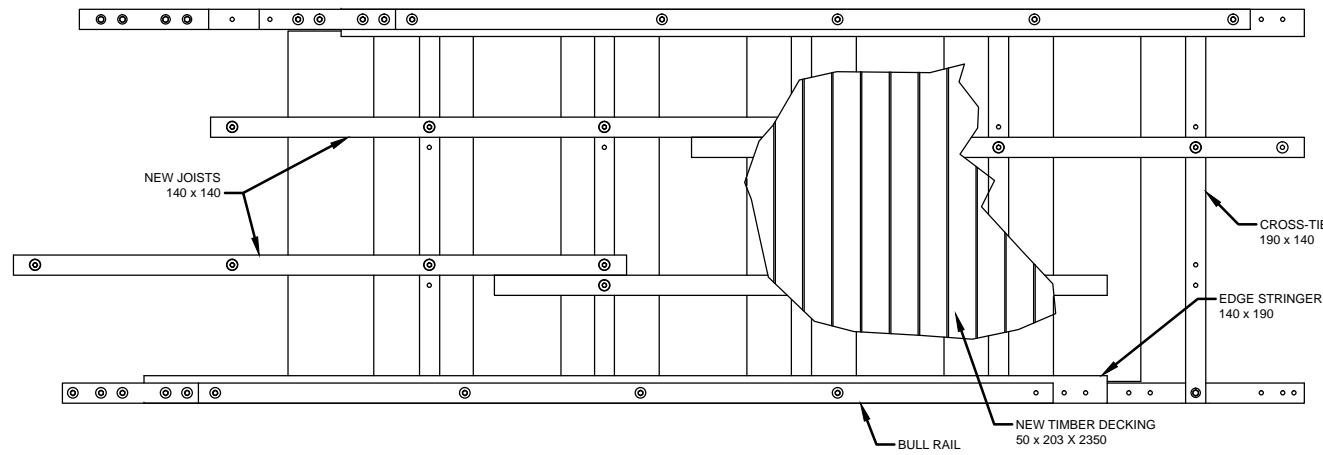
FLOAT O COMPONENT DIMENSIONS [V X H(mm)]
SCALE 1:50



FLOAT O - TOP VIEW



FLOAT B, C, D, E, F, G & H COMPONENT DIMENSIONS [V X H(mm)]
SCALE 1:50



FLOAT B, C, D, E, F, G & H - TOP VIEW

Revision/Revisé	Description/Description	Date/Date

Fisheries & Oceans Canada
Small Craft Harbours Branch
Pacific Division
200 - 401 Burrard Street
Vancouver, Canada, V6C 3S4

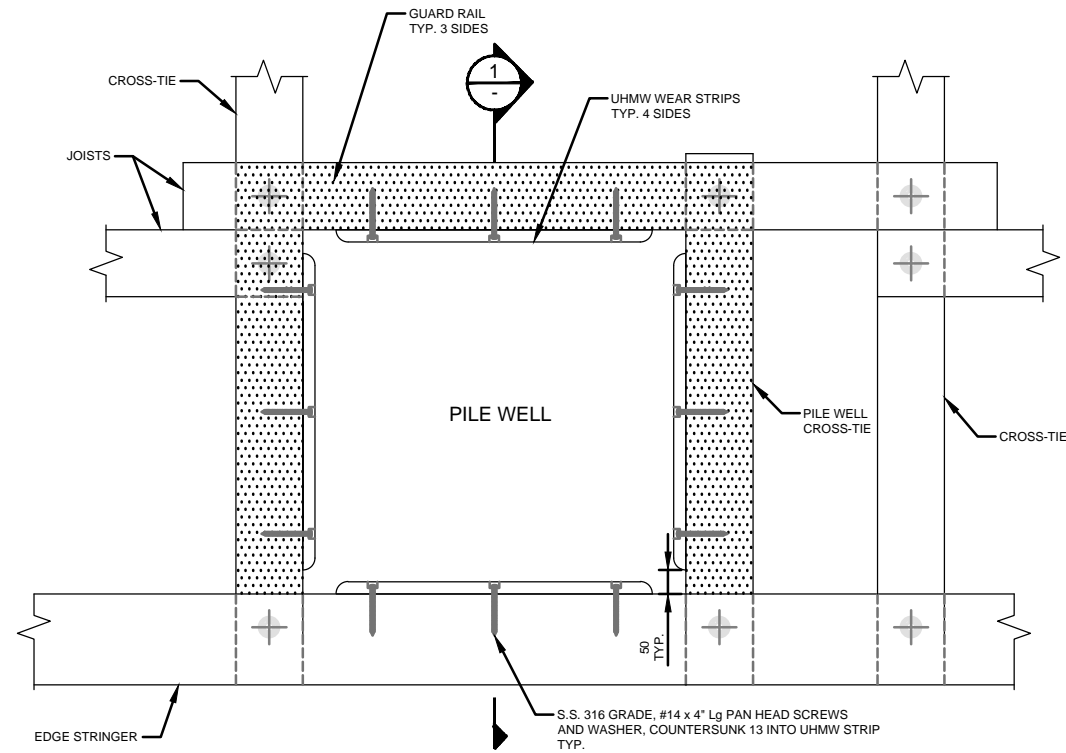
Project title/Titre du projet
**PORT ALBERNI
SMALL CRAFT HARBOUR**

Approved by/Approuvé par
M.B.
Designed by/Concept par
J.A.
Drawn by/Dessiné par
WSL
PWSC Project Manager/Administrateur de Projets TPSCC
PWSC, Architectural and Engineering Resources Manager/
Ressources Architectural et de Directeur d'Ingénierie, TPSCC

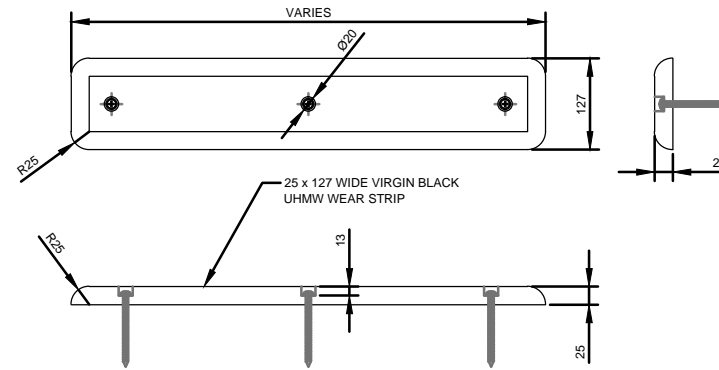
Client/client
Drawing title/Titre du dessin
MODIFIED JOIST LAYOUT

Project No./No. du projet PA-FR	Sheet/Feuille 003 OF	Revision no./ No. des révisions
---	-----------------------------------	------------------------------------

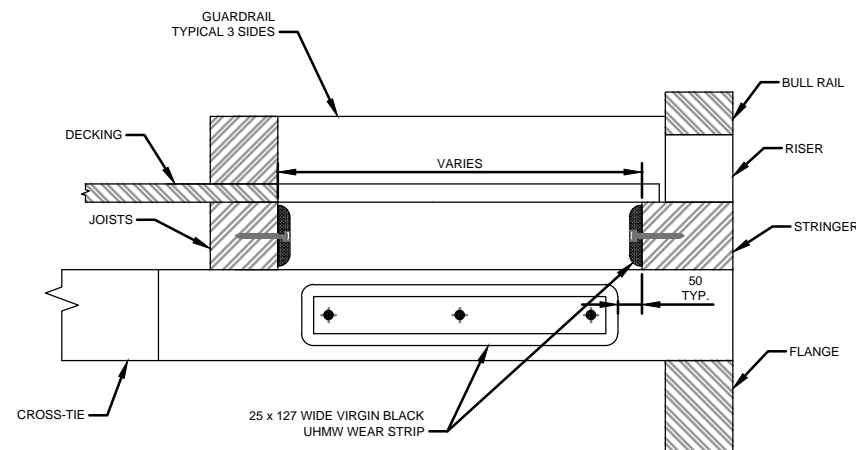




TYPICAL PILE WELL DETAIL
SCALE 1:15



UHMW WEAR STRIP DETAIL
SCALE 1:5



SECTION 1
1:15

Revision/Description	Description/Description	Date/Date
----------------------	-------------------------	-----------

Client/Client
**Fisheries & Oceans Canada
Small Craft Harbours Branch
Pacific Division**
200 - 401 Burrard Street
Vancouver, Canada, V6C 3S4

Project title/Titre du projet
**PORT ALBERNI
SMALL CRAFT HARBOUR**

Approved by/Approuvé par
M.B.

Designed by/Concept par
J.A.

Drawn by/Dessiné par
WSL

PWSC Project Manager/Administrateur de Projets TPSCC

PWSC, Architectural and Engineering Resources Manager/
Ressources Architectural et de Directeur d'Ingénierie, TPSCC

Client/Client

Drawing title/Titre du dessin
UHMW LINERS

Project No./No. du projet PA-FR	Sheet/Feuille 004 OF	Revision no./ No. des révisions
---	-----------------------------------	------------------------------------



