



## **Agriculture and Agri-Food Canada (AAFC)**

### **Project Title:**

WALKWAYS AND LOADING DOCK CEMENT REPAIRS AND REPLACEMENT

Charlottetown Research and Development Centre  
440 University Ave., Charlottetown, PEI, C1A 4N6

Tenders **must be received by: 2:00 PM**, Local Time

On **October 5, 2018** at the following address:

Agriculture and Agri-Food Canada

Corporate Management Branch  
Assets Team – Eastern Service Centre

**TENDER RECEIVING UNIT**

2001 Robert-Bourassa Blvd., Suite 671-TEN  
Montreal, QC  
H3A 3N2

**Note: Tenders received at a location other than this one  
will be rejected.**



**Table of Contents**

Part I	Additional Instructions
Appendix A	Instructions to Bidders (AAFC/AAC5319)
Appendix B	Special Instructions to Bidders (AAFC/AAC5318)
Appendix C	Bid and Acceptance Form (AAFC/AAC5312)
Appendix D	General Conditions for Minor Works (AAFC/AAC5316)
Appendix E	Statement of Work & Drawings
Appendix F	Insurance Terms (AAFC/AAC5315)
Appendix G	Form A - Subcontracting



## **PART I. ADDITIONAL INSTRUCTIONS**

### **AI 1. Definitions**

- *Tenderers/Bidders*: Individual or Firm responding to the request for tender.
- *Contracting Authority*: is the individual within Agriculture and Agri-Food Canada (AAFC) who is responsible of the integrity and the transparency of the competitive tender process. The Contracting Authority is also responsible for the issuance of the contract and any amendment related to it.
- *Project Manager*: is the individual within AAFC who is responsible for all matters concerning the technical content of the Work under the awarded contract.

### **AI 2. Context**

This tender involves the replacement of a number of concrete panels on two (2) walkways, repairs to several spalled areas on the two (2) walkways, replacement of the slab on grade at the rear loading dock and replacement of the slab floor in the interior portion of the rear loading dock. All work is located at our Main Complex, 440 University Avenue, Charlottetown PEI.

### **AI 3. Optional Site Visit**

A site visit is scheduled for **September 27, 2018 at 10:00 AM** at the Charlottetown Research & Development Centre, Main Complex, 440 University Avenue, Charlottetown PEI. Tenderers are requested to be present at the reception desk at least 10 minutes prior to the meeting. No other pre-tender meeting will be scheduled during the tender process.

Attendance by interested tenderers is not mandatory.

However, the tenderer has the responsibility to ascertain he/she has knowledge of all the facts and information on the nature and provision of the work requested. Lack of knowledge of the conditions will not be a valid excuse accepted for the inability to satisfactorily meet the services required.

### **AI 4. Requests for information**

All requests for information regarding this call for tenders **MUST** be presented in writing and sent exclusively to the *Contracting Authority* identified below, as soon as possible during the tender period and no later than three (3) working days before the end of this period, in order to allow sufficient time to answer. Inquiries received after that time might not be answered prior to the tender closing date.

Contracting Authority:

Jean-François Lemay  
Agriculture and Agri-Food Canada  
2001 Robert Bourassa blvd., 671 -TEN  
Montreal, Quebec, H3A 3N2  
Telephone: 514 315-6196  
Facsimile: 514 283-1918  
Email: [jean-francois.lemay@agr.gc.ca](mailto:jean-francois.lemay@agr.gc.ca)



**AI 5. Revision of Tenders (Modification to Clause IB10, Appendix A)**

The following paragraph shall be added after paragraph 1) :

“...However, any indication of tender price modification **shall not reveal** the amount of the original or the revised total tender. Any indication of the old or the new total tender will get the often discarded automatically.”

**AI 6. Receipt of Tenders**

Sealed tenders will be received at the following address:

Agriculture and Agri-Food Canada  
Assets Team - Eastern Service Centre  
Tender Receiving Unit  
2001 Robert-Bourassa blvd., suite 671-TEN  
Montreal, Quebec, H3A 3N2

AAFC will not necessarily accept the lowest tender nor any tender, in whole or in part.

**AI 7. Presentation of Tenders**

Tenderers must submit their tenders, in a sealed envelope marked “Tender - Confidential” as well as the project reference number: **01B46-18-080**.

**AI 8. Contractual Documents:**

The following documents will form part of any resulting contract:

- Appendix C Bid and Acceptance Form (AAFC/AAC5312)
- Appendix D General Conditions for Minor Works (AAFC/AAC5316)
- Appendix E Statement of Work & Drawings
- Appendix F Insurance Terms (AAFC/AAC5315)
- Appendix G Form A - Subcontracting



**AI 10. T4-A**

The Contractor shall complete and submit this T4-A Certification within fourteen (14) days of Notification of Contract award and within fourteen (14) calendar days immediately following any change to the information already provided under the Contract. Failure to provide this information or failure to provide the correct information shall result a fundamental breach of the Contract.

1. The Contractor shall enter a [ x ] in one of the boxes below opposite the description that best describe its status.
  - A business incorporated either federally or provincially;
  - An unincorporated business, either as a sole proprietor or a partnership; or
  - An individual.

**Note. The information provided in section 2 must correspond with that provided in Section 1.**

Corporate or unincorporated  
Business or individual's name: \_\_\_\_\_

Street Name or Box Number: \_\_\_\_\_

City, Town or Village: \_\_\_\_\_

Province: \_\_\_\_\_

Postal Code: \_\_\_\_\_

E-mail address: \_\_\_\_\_

2. Contractor shall complete section 2(a) or 2(b) or 2(c), whichever is applicable to its situation.
  - a) If incorporated:
 

Business Number (BN)	_____ , or
GST/HST Number:	_____ , or
T2 Corporation Tax Number (T2N)	_____ , whichever is applicable
  - b) If unincorporated:
 

Business Number (BN)	_____ , or
GST/HST Number:	_____ , or
T2 Corporation Tax Number (T2N)	_____ , whichever is applicable

**Note: The Unincorporated Business Name must be the same as the name associated with the Revenue Canada Business Number or the GST/HST Number.**

- c) If individual:
 

Business Number (BN)	_____ , or
GST/HST Number:	_____ , or
T2 Corporation Tax Number (T2N)	_____ , whichever is applicable

Note: The Individual's Name must be the same as the name associated with the Social Insurance Number.

3. **WE HEREBY CERTIFY that I/WE have examined the information provided above, including the legal name, address and Revenue Canada identifier (SIN, BN, GST/HST No., T2N), as applicable, and that it is correct and complete, and fully discloses my/our identification.**

\_\_\_\_\_  
Signature of Contractor

\_\_\_\_\_  
Title of Signatory

\_\_\_\_\_  
Date



## Appendix "A"

### INSTRUCTIONS TO BIDDERS



## INSTRUCTIONS TO BIDDERS

IB01	Completion of Bid
IB02	Identity or Legal Capacity of the Bidder
IB03	Applicable Taxes
IB04	Tax to Be Included
IB05	Capital Development and Redevelopment Charges
IB06	Registry and Pre-qualification of Floating Plant
IB07	Listing of Subcontractors and Suppliers
IB08	Bid Security Requirements
IB09	Submission of Bid
IB10	Revision of Bid
IB11	Acceptance of Bid
IB12	Bid Costs
IB13	Compliance with Applicable Laws
IB14	Approval of Alternative Materials
IB15	Income Tax Requirement
IB16	Contingency Fees
IB17	Status of the Bidder
IB18	Integrity Provisions - Bids Over \$10,000.00
IB19	Code of Conduct for Procurement - Bid

### **IB01 Completion of Bid**

- 1) The bid shall be:
  - (a) submitted on the BID AND ACCEPTANCE FORM provided by AAFC or on a clear and legible reproduced copy of such BID AND ACCEPTANCE FORM that must be identical in content and format to the BID AND ACCEPTANCE FORM provided by AAFC;
  - (b) based on the Bid Documents listed in the SPECIAL INSTRUCTIONS TO BIDDERS;
  - (c) correctly completed in all respects;
  - (d) signed, with an original signature, by a duly authorized representative of the Bidder; and
  - (e) accompanied by any other document or documents specified elsewhere in the solicitation where it is stipulated that said documents are to accompany the bid.
- 2) Subject to paragraph 6) of IB11, any alteration to the pre-printed or pre-typed sections of the BID AND ACCEPTANCE FORM, or any condition or qualification placed upon the bid shall be cause for disqualification. Alterations, corrections, changes or erasures made to statements or figures entered on the BID AND ACCEPTANCE FORM by the Bidder shall be initialed by the person or persons signing the bid. Initials shall be original(s). Alterations, corrections, changes or erasures that are not initialed shall be deemed void and without effect.
- 3) Unless otherwise noted elsewhere in the Bid Documents, facsimile copies of bids are not acceptable.

## **INSTRUCTIONS TO BIDDERS (Continued)**

### **IB02 Identity or Legal Capacity of the Bidder**

- 1) In order to confirm the authority of the person or persons signing the bid or to establish the legal capacity under which the Bidder proposes to enter into Contract, any Bidder who carries on business in other than its own personal name shall, if requested by Canada, provide satisfactory proof of:
  - (a) such signing authority; and
  - (b) the legal capacity under which it carries on business;prior to contract award. Proof of signing authority may be in the form of a certified copy of a resolution naming the signatory(ies) that is (are) authorized to sign this bid on behalf of the corporation or partnership. Proof of legal capacity may be in the form of a copy of the articles of incorporation or the registration of the business name of a sole proprietor or partnership.

### **IB03 Applicable Taxes**

- 1) Bidders are not to include any amounts for Applicable Taxes (Goods and Services Tax (GST), Harmonized Sales Tax (HST) or Quebec Sales Tax (QST), whichever is applicable. Any amount levied in respect of Applicable Taxes shall be billed as a separate item in a progress claim submitted by the Contractor, and shall be paid to the Contractor in addition to the amount approved by Canada for work performed under the Contract. The Contractor shall be required to remit the appropriate amount to the appropriate tax authority in accordance with the applicable legislation.

### **IB04 Tax to Be Included**

- 1) The Contractor is not entitled to use Canada's exemptions from any tax, such as provincial sales taxes, unless otherwise specified by law. The Contractor must pay applicable provincial sales tax, ancillary taxes, and any commodity tax, on taxable goods or services used or consumed in the performance of the Contract (in accordance with applicable legislation), including for material incorporated into real property.

### **IB05 Capital Development and Redevelopment Charges**

- 1) For the purposes of GC1.5 in the General Conditions of the Contract, only fees or charges directly related to the processing and issuing of building permits shall be included. The Bidder shall not include any monies in the bid amount for special municipal development, redevelopment or other fees or charges which a municipal authority may seek as a prerequisite to the issuance of building permits.

### **IB06 Registry and Pre-qualification of Floating Plant**

- 1) Dredges or other floating plant to be used in the performance of the Work must be of Canadian registry. For dredges or other floating plant that are not of Canadian make or manufacture, the Bidder must obtain a certificate of qualification from Industry Canada and this certificate must accompany the bid. Plant so qualified by Industry Canada may be accepted on this project.

### **IB07 Listing of Subcontractors and Suppliers**

- 1) Notwithstanding any list of Subcontractors that the Bidder may be required to submit as part of the bid, the Bidder submitting the lowest acceptable bid shall, within 48 hours of receipt of a notice to do so, submit all information requested in the said notice including the names of Subcontractors and Suppliers for the part or parts of the Work listed. Failure to do so may result in the disqualification of its bid.



## **INSTRUCTIONS TO BIDDERS (Continued)**

### **IB08 Bid Security Requirements**

- 1) **NO** bid security is required for this solicitation notice.

### **IB09 Submission of Bid**

- 1) The BID AND ACCEPTANCE FORM, duly completed, shall be enclosed and sealed in an envelope provided by the Bidder, and shall be addressed and submitted to the office designated on the Front Page of the BID AND ACCEPTANCE FORM for the receipt of bids. The bid must be received on or before the date and time set for solicitation closing.
- 2) Unless otherwise specified in the SPECIAL INSTRUCTIONS TO BIDDERS
  - (a) the bid shall be in Canadian currency;
  - (b) exchange rate fluctuation protection is not offered; and
  - (c) any request for exchange rate fluctuation protection shall not be considered.
- 3) Prior to submitting the bid, the Bidder shall ensure that the following information is clearly printed or typed on the face of the bid envelope:
  - (a) Solicitation/File Number;
  - (b) Name of Bidder;
  - (c) Return address; and
  - (d) Closing Date and Time.
- 4) Subject to paragraph 6) of IB11, failure to comply with paragraphs 1), 2) and 3) of IB09 shall render the bid liable to disqualification. Timely and correct delivery of bids is the sole responsibility of the Bidder.

### **IB10 Revision of Bid**

- 1) A bid submitted in accordance with these instructions may be revised by letter or facsimile provided the revision is received at the office designated for the receipt of bids, on or before the date and time set for the closing of the bid. The letter or facsimile shall:
  - (a) be on the Bidder's letterhead or bear a signature that identifies the Bidder;
  - (b) for the lump sum portion of a bid, clearly identify the amount of the current revision. The total aggregate sum of all revisions submitted, including the current revision, shall be shown separately; and
  - (c) for the Price Per Unit portion of a bid, clearly identify the change(s) in the Price(s) per Unit and the specific Item(s) to which each change applies. If a revision is to be applied to a specific Item that was previously amended then, in addition to the amount of the current revision, the total aggregate sum of all revisions submitted, including the current revision, for that Item shall be shown separately.
- 2) A letter or facsimile submitted to confirm an earlier revision shall be clearly identified as "CONFIRMATION ONLY" for each contemplated change.
- 3) Failure to comply with any of the above provisions shall result in the rejection of the non-compliant revision(s) only. The bid shall be evaluated based on the original bid submitted and all other compliant revision(s).

### **IB11 Acceptance of Bid**

- 1) Canada may accept any bid, whether it is the lowest or not, or may reject any or all bids.
- 2) Without limiting the generality of paragraph 1) of IB11, Canada may reject a bid if any of the following circumstances is present:

## INSTRUCTIONS TO BIDDERS (Continued)

- (a) the Bidder, or any employee or subcontractor included as part of the bid, has been convicted under section 121 ("Frauds on the government" & "Contractor subscribing to election fund"), 124 ("Selling or purchasing office"), 380 ("Fraud committed against Her Majesty") or 418 ("Selling defective stores to Her Majesty") of the Criminal Code of Canada; or under paragraph 80(1)(d) ("False entry, certificate of return"), subsection 80(2) ("Fraud against Her Majesty") or Section 154.01 ("Fraud against Her Majesty") of the *Financial Administration Act*;
  - (b) the Bidder's bidding privileges are suspended or are in the process of being suspended;
  - (c) the bidding privileges of any employee or subcontractor included as part of the bid are suspended or are in the process of being suspended, which suspension or pending suspension would render that employee or subcontractor ineligible to bid on the Work, or the portion of the Work the employee or subcontractor is to perform;
  - (d) with respect to current or prior transactions with Canada
    - (i) the Bidder is bankrupt or if, for whatever reason, its activities are rendered inoperable for an extended period;
    - (ii) evidence, satisfactory to Canada, of fraud, bribery, fraudulent misrepresentation or failure to comply with any law protecting individuals against any manner of discrimination, has been received with respect to the Bidder, any of its employees or any subcontractor included as part of its bid;
    - (iii) Canada has exercised, or intends to exercise, the contractual remedy of taking the work out of the contractor's hands with respect to a contract with the Bidder, any of its employees or any subcontractor included as part of its bid; or
    - (iv) Canada determines that the Bidder's performance on other contracts is sufficiently poor to jeopardize the successful completion of the requirement being bid on.
- 3) In assessing the Bidder's performance on other contracts pursuant to subparagraph 2)(d)(iv) of IB11, Canada may consider, but not be limited to, such matters as:
- (a) the quality of workmanship in performing the Work;
  - (b) the timeliness of completion of the Work;
  - (c) the overall management of the Work and its effect on the level of effort demanded of the department and its representative; and
  - (d) the completeness and effectiveness of the Contractor's safety program during the performance of the Work.
- 4) Without limiting the generality of paragraphs 1), 2) and 3) of IB11, Canada may reject any bid based on an unfavourable assessment of the:
- (a) adequacy of the bid price to permit the work to be carried out and, in the case of a bid providing prices per unit or a combination of lump sum and prices per unit, whether each such price reasonably reflects the cost of performing the part of the work to which that price applies;
  - (b) Bidder's ability to provide the necessary management structure, skilled personnel, experience and equipment to perform competently the work under the Contract; and
  - (c) Bidder's performance on other contracts.
- 5) If Canada intends to reject a bid pursuant to a provision of paragraphs 1), 2), 3) or 4) of IB11, other than subparagraph 2)(b) of IB11, Canada shall so inform the Bidder and provide the Bidder ten (10) days within which to make representations, prior to making a final decision on the bid rejection.
- 6) Canada may waive informalities and minor irregularities in bids received if Canada determines that the variation of the bid from the exact requirements set out in the Bid Documents can be corrected or waived without being prejudicial to other Bidders.

## **INSTRUCTIONS TO BIDDERS (Continued)**

### **IB12 Bid Costs**

- 1) No payment will be made for costs incurred in the preparation and submission of a bid in response to the bid solicitation. Costs associated with preparing and submitting a bid, as well as any costs incurred by the Bidder associated with the evaluation of the bid, are the sole responsibility of the Bidder.

### **IB13 Compliance with Applicable Laws**

- 1) By submission of a bid, the Bidder certifies that the Bidder has the legal capacity to enter into a contract and is in possession of all valid licences, permits, registrations, certificates, declarations, filings, or other authorizations necessary to comply with all federal, provincial and municipal laws and regulations applicable to the submission of the bid and entry into any ensuing contract for the performance of the work.
- 2) For the purpose of validating the certification in paragraph 1) of IB13, a Bidder shall, if requested, provide a copy of every valid licence, permit, registration, certificate, declaration, filing or other authorization listed in the request, and shall provide such documentation within the time limit(s) set out in the said request.
- 3) Failure to comply with the requirements of paragraph 2) of IB13 shall result in disqualification of the bid.

### **IB14 Approval of Alternative Materials**

- 1) When materials are specified by trade names or trademarks, or by manufacturers' or suppliers' names, the bid shall be based on use of the named materials. During the bid period, alternative materials may be considered provided full technical data is received in writing by the Contracting Officer at least 10 calendar days prior to the bid closing date.

### **IB15 Income Tax Requirement**

- 1) Payments made under applicable contracts must be reported by Canada for taxation purposes. To comply with this requirement, the successful bidder shall provide to Canada immediately upon award: its legal name; address; and Revenue Canada identifier (SIN, BN, GST/HST, T2N number) as is applicable.

### **IB16 Contingency Fees**

- 1) The Bidder declares that the Bidder has not, directly or indirectly, paid or agreed to pay, and will not, directly or indirectly, pay a contingency fee to any individual for the solicitation, negotiation or obtaining of the contract if the payment of the fee would require the individual to file a return under section 5 of the *Lobbying Act*.

### **IB17 Status of the Bidder**

- 1) The Bidder declares that the Bidder has not been convicted of an offence, other than an offence for which a pardon has been granted, under section 121, 124 or 418 of the *Criminal Code*.

### **IB18 Integrity Provisions - Bids Over \$10,000.00**

## INSTRUCTIONS TO BIDDERS (Continued)

- 1) Ineligibility and Suspension Policy (the "Policy"), and all related Directives, are incorporated by reference into, and form a binding part of the procurement process. The Supplier must comply with the Policy and Directives, which can be found at [Ineligibility and Suspension Policy](#).
- 2) Under the Policy, charges and convictions of certain offences against a Supplier, its affiliates or first tier subcontractors, and other circumstances, will or may result in a determination by Public Works and Government Services Canada (PWGSC) that the Supplier is ineligible to enter, or is suspended from entering into a contract with Canada. The list of ineligible and suspended Suppliers is contained in PWGSC's Integrity Database. The Policy describes how enquiries can be made regarding the ineligibility or suspension of Suppliers.
- 3) In addition to all other information required in the procurement process, the Supplier must provide the following:
  - a. by the time stated in the Policy, all information required by the Policy described under the heading "Information to be Provided when Bidding, Contracting or Entering into a Real Property Agreement"; and
  - b. with its bid / quote / proposal, a complete list of all foreign criminal charges and convictions pertaining to itself, its affiliates and its proposed first tier subcontractors that, to the best of its knowledge and belief, may be similar to one of the listed offences in the Policy. The list of foreign criminal charges and convictions must be submitted using an Integrity Declaration Form, which can be found at [Declaration form for procurement](#).
- 4) Subject to subsection 5, by submitting a bid / quote / proposal in response a request by AAFC, the Supplier certifies that:
  - a. it has read and understands the [Ineligibility and Suspension Policy](#);
  - b. it understands that certain domestic and foreign criminal charges and convictions, and other circumstances, as described in the Policy, will or may result in a determination of ineligibility or suspension under the Policy;
  - c. it is aware that Canada may request additional information, certifications, and validations from the Supplier or a third party for purposes of making a determination of ineligibility or suspension;
  - d. it has provided with its bid / quote / proposal a complete list of all foreign criminal charges and convictions pertaining to itself, its affiliates and its proposed first tier subcontractors that, to the best of its knowledge and belief, may be similar to one of the listed offences in the Policy;
  - e. none of the domestic criminal offences, and other circumstances, described in the Policy that will or may result in a determination of ineligibility or suspension, apply to it, its affiliates and its proposed first tier subcontractors; and
  - f. it is not aware of a determination of ineligibility or suspension issued by PWGSC that applies to it.
- 5) Where a Supplier is unable to provide any of the certifications required by subsection 4, it must submit with its bid/ quote / proposal a completed Integrity Declaration Form, which can be found at [Declaration form for procurement](#).
- 6) Canada will declare non-responsive any bid / quote / proposal in respect of which the information requested is incomplete or inaccurate, or in respect of which the information contained in a certification or declaration is found by Canada to be false or misleading in any respect. If Canada

## **INSTRUCTIONS TO BIDDERS (Continued)**

establishes after award of the Contract that the Supplier provided a false or misleading certification or declaration, Canada may terminate the Contract for default. Pursuant to the Policy, Canada may also determine the Supplier to be ineligible for award of a contract for providing a false or misleading certification or declaration.

Ineligibility and Suspension Policy - <http://www.tpsgc-pwgsc.gc.ca/ci-if/politique-policy-eng.html>

Declaration form for procurement - <http://www.tpsgc-pwgsc.gc.ca/ci-if/declaration-eng.html>

### **IB19 Code of Conduct for Procurement - Bid**

- 1) The Code of Conduct for Procurement provides that Bidders must respond to bid solicitations in an honest, fair and comprehensive manner, accurately reflect their capacity to satisfy the requirements set out in the bid solicitation and resulting contract, submit bids and enter into contracts only if they will fulfill all obligations of the Contract. By submitting a bid, the Bidder is certifying that it is complying with the Code of Conduct for Procurement. Failure to comply with the Code of Conduct for Procurement may render the bid non-responsive.



## Appendix "B"

### SPECIAL INSTRUCTIONS TO BIDDERS



## SPECIAL INSTRUCTIONS TO BIDDERS

- SI01 Bid Documents
- SI02 Enquiries during the Solicitation Period
- SI03 Non-Mandatory Site Visit
- SI04 Revision of Bid
- SI05 Bid Results
- SI06 Bid Validity Period
- SI07 Construction Documents
- SI08 Personnel Security Requirements
- SI09 Integrity Provisions - Declaration of Convicted Offences

### SI01 BID DOCUMENTS

- 1) The following are the bid documents:

- (a) SPECIAL INSTRUCTIONS TO BIDDERS;
- (b) INSTRUCTIONS TO BIDDERS - Form A5319-E; and,
- (c) BID AND ACCEPTANCE FORM - Form A5312-E and any attachments thereto.

Canada reserves the right to revise or amend the Bid Documents prior to the date set for opening bids. Such revisions or amendments, if any, will be announced by an addendum or addenda to the documents.

Submission of a bid constitutes acknowledgement that the Bidder has read and agrees to be bound by these documents.

### SI02 ENQUIRIES DURING THE SOLICITATION PERIOD

- 1) Enquiries regarding this bid must be submitted in writing to the Contracting Officer. The Contracting Officer for the purpose of this bid is:

Jean-François Lemay  
Agriculture and Agri-Food Canada  
2001 Robert Bourassa Blvd., 671 -TEN  
Montreal, Quebec, H3A 3N2  
Telephone: 514 315-6196  
Facsimile: 514 283-1918  
Email: jean-francois.lemay@agr.gc.ca

- 2) Except for the approval of alternative materials as described in IB14 of the INSTRUCTIONS TO BIDDERS, enquiries should be received no later than five (5) calendar days prior to the date set for solicitation closing to allow sufficient time to provide a response. Enquiries received after that time may not result in an answer being provided.
- 3) To ensure consistency and quality of the information provided to Bidders, the Contracting Officer shall examine the content of the enquiry and shall decide whether or not to issue an amendment.
- 4) All enquiries and other communications related to this bid sent throughout the solicitation period are to be directed ONLY to the Contracting Officer. Non-compliance with this requirement during the solicitation period can, for that reason alone, result in disqualification of a bid.

## **SPECIAL INSTRUCTIONS TO BIDDERS (Continued)**

### **SI03 NON-MANDATORY SITE VISIT**

- 1) Before submitting their bid, the Contractor shall examine the jobsite, construction and storage areas, compare drawings and specifications with existing conditions, and fully satisfy themselves as to all data and matters required for the completion of the contract.
- 2) There will be a site visit on Thursday, September, 27, 2018 at 10: 00  AM  PM Local Standard Time.

Interested bidders are to meet at:

Agriculture & Agri-Food Canada  
Charlottetown Research & Development Centre  
Main Complex  
440 University Avenue, Charlottetown PEI.

### **SI04 REVISION OF BID**

- 1) A bid may be revised by letter or facsimile in accordance with IB10 of the INSTRUCTIONS TO BIDDERS. The facsimile number for receipt of revisions is: 514 283-1918.

### **SI05 BID RESULTS**

- 1) Following bid closing, bid results may be obtained from the bid receiving office by email at jean-francois.lemay@agr.gc.ca.

### **SI06 BID VALIDITY PERIOD**

- 1) Canada reserves the right to seek an extension to the bid validity period prescribed in Clause 4 of the BID AND ACCEPTANCE FORM. Upon notification in writing from Canada, Bidders shall have the option to either accept or reject the proposed extension.

### **SI07 CONSTRUCTION DOCUMENTS**

- 1) The successful contractor will be provided with one paper copy of the sealed and signed drawings, the specifications and the amendments upon acceptance of the offer. Additional copies, up to a maximum of zero ( 0 ), will be provided free of charge upon request by the Contractor. Obtaining more copies shall be the responsibility of the Contractor including costs.

### **SI08 PERSONNEL SECURITY REQUIREMENTS**

- 1) The successful Bidder's personnel, as well as any subcontractor and its personnel, who are required to perform any part of the work pursuant to the subsequent contract, must meet the following contract security requirements:
  - Personnel who are required to perform any part of the work must EACH hold a valid personnel security screening at the level of RELIABILITY STATUS, granted or approved by Agriculture and Agri-Food Canada. Until the security screening of the personnel has been completed satisfactorily by Agriculture and Agri-Food Canada, the Contractor/Subcontractor personnel



## **SPECIAL INSTRUCTIONS TO BIDDERS (Continued)**

MAY NOT perform contract work. Each of the proposed staff must complete "Security Clearance Form" (TBS 330-23E) upon request from Canada.

Cost for security screening - The program does not charge for its screening services. However, your organization must cover any costs needed to comply with the security requirements of a government contract. For example, these costs might include the purchase of file cabinets to safely store Secret documents. They might also include the fees charged by third-party service providers to take and submit fingerprints electronically.

### **SI09 INTEGRITY PROVISIONS – DECLARATION OF CONVICTED OFFENCES**

As applicable, pursuant to IB18 of the Declaration of Convicted Offences, paragraph 10 (copied below) of the General Instruction AAFC / AAC5319, the Bidder must provide with its bid, a completed *Declaration Form*, to be given further consideration in the procurement process.

#### *Declaration of Convicted Offences*

*Where a Bidder or its Affiliate is unable to certify that it has not been convicted of any of the offences referenced under the Canadian Offences Resulting in Legal Incapacity, the Canadian Offences and the Foreign Offences subsections, the Bidder must provide with its bid the completed [Declaration Form](#), to be given further consideration in the procurement process.*



## Appendix "C"

### BID AND ACCEPTANCE FORM

**BID AND ACCEPTANCE FORM**  
CONSTRUCTION CONTRACT - MINOR WORKS

Solicitation / File Number: 01B46-18-080
Project:
Contract:

**MAIL OR DELIVER BID TO:**  
Agriculture and Agri-Food Canada  
Assets Team – Eastern Service Centre  
TENDER RECEIVING UNIT  
2001 Robert-Bourassa Blvd., Suite 671-TEN  
Montreal, QC  
H3A 3N2

**BID CLOSING TIME:**  
Friday, October 05, 2018  
Day of week, Month, Day, Year  
at 02:00  AM  PM local time.

**DESCRIPTION OF WORKS:**  
WALKWAYS AND LOADING DOCK REPAIRS AND REPLACEMENT

**INSTRUCTIONS TO BIDDERS:**  
Bidders shall be governed by the following instructions:  
- SPECIAL INSTRUCTIONS TO BIDDERS - Form AAFC / AAC5318-E  
- INSTRUCTIONS TO BIDDERS - Form AAFC / AAC5319-E

The following additional documents form an attachment to this BID AND ACCEPTANCE FORM:

List of Subcontractors

**OFFER AND AGREEMENT**

1. The undersigned bidder (hereinafter called the "Contractor") hereby offers to Her Majesty the Queen in right of Canada, as represented by the Minister of Agriculture and Agri-Food (hereinafter called "Canada"), to furnish all necessary labour, plant and material and to execute and complete in a satisfactory and workmanlike manner all the work required under this contract for the consideration of the unit or lump sum price or prices set forth in the Price Table below. The Contractor agrees that these prices include all applicable provincial sales taxes, ancillary taxes and any commodity tax. Note: Do not include Applicable Taxes (GST/HST/QST) as defined in the General Conditions in price(s).

PRICE TABLE					
Item	Class of Labour, Plant, or Material	Unit of Measurement	Estimated Total Quantity	Price Per Unit	Estimated Total Price
1	Walkways and Loading Dock repairs	Lump Sum	N/A	N/A	
NOTE: Both price per unit and estimated total price must be filled in for each item in the Price Table. All estimated total prices will be subject to verification by Canada. In case of variation between the price per unit and the estimated total price, the price per unit will be considered to be the price bid.				<b>Total Bid</b>	

- The Contractor shall perform and complete the Work on or before 2018-11-15.
- The Contractor hereby acknowledges receipt of the following addenda to the bid documents (give number and date of each):  
Addenda numbers: \_\_\_\_\_ Dates: \_\_\_\_\_
- The Contractor agrees that this offer: supersedes and cancels all communications, negotiations, and agreements relating to the work other than contained in this completed bid or any amendment incorporated by mutual agreement between the Contractor and Canada before acceptance of this Offer and Agreement; is irrevocable for 30 days after the Bid Closing Time shown hereon.
- The Contractor agrees, that the complete bid together with and subject to all the provisions contained herein shall, when accepted and executed on behalf of Canada, constitute a binding contract between the Contractor and Canada.
- The following additional documents form an attachment to a binding contract:
  - GENERAL CONDITIONS FOR MINOR WORKS - Form AAFC / AAC5316-E
  - Specifications
  - Insurance Terms

**BID AND ACCEPTANCE FORM (Continued)**

**CONTRACTOR'S FULL BUSINESS NAME (Please print or type)**

--

**CONTRACTOR'S BUSINESS ADDRESS (for all purposes of or incidental to the contract)**

Unit/Suite/Apt.	Street number	Number suffix	Street name	Street type	Street direction	
PO Box or Route Number		Municipality (City, Town, etc.)			Province	Postal code
Telephone number	Ext.	Facsimile number	E-mail (optional)		GST/HST number	

Attested to and Delivered on Behalf of the Contractor this \_\_\_\_\_ day of \_\_\_\_\_, \_\_\_\_\_.  
MonthYear

CONTRACTOR'S or, where applicable, SIGNING OFFICER'S SIGNATURE(S)	TITLE(S)	In the presence of: WITNESS SIGNATURE(S)

NOTE: Corporate Firms shall affix their Corporate Seal if applicable.

(FOR DEPARTMENTAL USE ONLY)

Accepted and Executed on Behalf of Canada this \_\_\_\_\_ day of \_\_\_\_\_, \_\_\_\_\_.  
MonthYear

SIGNATURE	TITLE	In the presence of: WITNESS SIGNATURE

Bid opened in Montreal on \_\_\_\_\_, 2018 at \_\_\_\_\_  AM  PM local time.  
LocationDay of weekMonthDayYear

in the presence of \_\_\_\_\_

**BID AND ACCEPTANCE FORM (Continued)**

**INTEGRITY PROVISIONS - LIST OF NAMES**  
**(complete if your bid exceeds \$10,000.00)**

If the required list of names has not been received by the time the evaluation of bids is completed, Canada will inform the Bidder of a time frame within which to provide the information. Failure to provide the names within the time frame specified will render the bid non-responsive. Providing the required names is a mandatory requirement for contract award.

Bidders who are incorporated, including those bidding as a joint venture, must provide a complete list of names of all individuals who are currently directors of the Bidder.

Bidders bidding as sole proprietorship, as well as those bidding as a joint venture, must provide the name of the owner(s).

Bidders bidding as societies, firms or partnerships do not need to provide lists of names.




## Appendix "D"

### GENERAL CONDITIONS FOR MINOR WORKS



## TABLE OF CONTENTS GENERAL CONDITIONS FOR MINOR WORKS

GC 1	<b>GENERAL PROVISIONS</b>
GC 1.1	Definition
GC 1.2	Contract Documents
GC 1.3	Assignment
GC 1.4	Subcontracting
GC 1.5	Laws, Permits and Taxes
GC 1.6	Former Public Office Holders
GC 1.7	Status of the Contractor
GC 1.8	Contingency Fees
GC 1.9	Disclosure of Basic Information
GC 1.10	Integrity Provisions - Contracts over \$10,000.00
GC 1.11	Code of Conduct for Procurement - Contracts over \$10,000.00
GC 2	<b>ADMINISTRATION OF THE CONTRACT</b>
GC 2.1	Departmental Representative's Rights and Obligations
GC 2.2	Contractor's Superintendent and Workers
GC 2.3	Records to be Kept by the Contractor
GC 2.4	Notices
GC 3	<b>EXECUTION OF THE WORK</b>
GC 3.1	Material, Plant and Real Property Become the Property of Canada
GC 3.2	Cooperation With Other Contractors
GC 3.3	Use of the Work and Cleanup of Site
GC 3.4	Warranty and Rectification of Defects
GC 4	<b>PROTECTION, HEALTH AND SAFETY</b>
GC 4.1	Material, Plant and Real Property Supplied by Canada
GC 4.2	Construction Safety
GC 5	<b>TERMS OF PAYMENT</b>
GC 5.1	Definitions
GC 5.2	Payment - General Provisions
GC 5.3	Progress Payments
GC 5.4	Interest on Overdue Accounts
GC 5.5	Payment in the Event of Termination
GC 5.6	Final Completion
GC 5.7	Determination of Price
GC 5.8	Claims Against and Obligations of the Contractor or Subcontractor
GC 6	<b>CHANGES IN THE WORK</b>
GC 6.1	Changes in the Work
GC 6.2	Changes in Subsurface Conditions and Delays by Canada
GC 6.3	Extension of Time
GC 7	<b>DEFAULT, SUSPENSION OR TERMINATION OF CONTRACT</b>
GC 7.1	Taking the Work Out of the Contractor's Hands
GC 7.2	Effect of Taking the Work Out of the Contractor's Hands
GC 7.3	Suspension of the Contract
GC 7.4	Termination of the Contract
GC 8	<b>DISPUTE RESOLUTION</b>
GC 9	<b>INDEMNIFICATION AND INSURANCE</b>
GC 9.1	Indemnification
GC 9.2	Insurance Contracts
GC 9.3	Insurance Proceeds

## GENERAL CONDITIONS FOR MINOR WORKS

### GC 1 GENERAL PROVISIONS

#### GC 1.1 Definition

- "Applicable Taxes" means the Goods and Services Tax (GST), the Harmonized Sales Tax (HST), and any provincial tax, by law, payable by Canada such as, the Quebec Sales Tax (QST) as of April 1, 2013.
- "Canada", "Her Majesty" means Her Majesty, the Queen in right of Canada;
- "Contract" means the contract documents referred to as such therein and every other document specified or referred to in any of them as forming part of the Contract, all as amended by agreement of the parties;
- "Contractor" means a person, with whom Canada enters into a Contract to do the Work;
  - "Departmental Representative" means the person designated in the Contract, or by written notice to the Contractor, to act as the Departmental Representative for the purposes of the Contract, and includes a person, designated and authorized in writing by the Departmental Representative to the Contractor;
- "Material" includes all commodities, articles, machinery, equipment, fixtures and things required to be furnished in accordance with the Contract for incorporation into the Work;
- "Person" includes, unless there is an express stipulation in the Contract to the contrary, any partnership, proprietorship, firm, joint venture, consortium or corporation;
- "Plant" includes all tools, implements, machinery, vehicles, structures, equipment, articles and things that are necessary for the performance of the Contract, other than Material and those tools customarily provided by a trades person in practicing a trade;
- "Work" means everything that is necessary to be done, furnished or delivered by the Contractor to perform the Contract in accordance with the Contract Documents;

#### GC 1.2 Contract Documents

1. In interpreting the Contract, in the event of discrepancies or conflicts between anything in the Drawings and Specifications or Scope of Work and the General Conditions, the General Conditions govern.
2. In interpreting the Drawings and Specifications, in the event of discrepancies or conflicts between:
  - (a) the Drawings and Specifications, the Specifications govern;
  - (b) the Drawings, the Drawings with the largest scale govern; and
  - (c) figured dimensions and scaled dimensions, the figured dimensions govern.

#### GC 1.3 Assignment

1. This Contract shall not be assigned without the written consent of Canada.

#### GC 1.4 Subcontracting

1. The Contractor shall:
  - (a) not subcontract the whole or any part of the Work without the written consent of the Departmental Representative except for subcontracts specified in the Contract; and
  - (b) ensure that all subcontracts entered into at any tier shall incorporate all the terms and conditions of the Contract that can reasonably be applied thereto.



## **GENERAL CONDITIONS FOR MINOR WORKS (Continued)**

### **GC 1.5 Laws, Permits and Taxes**

1. The Contractor shall comply with all legislative and regulatory provisions whether federal, provincial, territorial or municipal applicable to the performance of the Work and shall require compliance therewith by all of its subcontractors and suppliers at any tier as if the Work were being performed for an owner other than Canada.
2. Unless otherwise provided for in the Contract, the Contractor shall obtain all permits and hold all certificates and licenses required for the performance of the Work.
3. Applicable Taxes will be paid by Canada at time when a progress payment is being made. It is the sole responsibility of the Contractor to charge Applicable Taxes at the correct rate in accordance with applicable legislation. The Contractor agrees to remit to appropriate tax authorities any amounts of Applicable Taxes paid or due.
4. The Contractor is not entitled to use Canada's exemptions from any tax, such as provincial sales taxes, unless otherwise specified by law. The Contractor must pay applicable provincial sales tax, ancillary taxes, and any commodity tax, on taxable goods or services used or consumed in the performance of the Contract (in accordance with applicable legislation), including for material incorporated into real property.

### **GC 1.6 Former Public Office Holders**

1. No former public office holder who is not in compliance with the post-employment provisions of the Conflict of Interest and Post-Employment Code for Public Office Holders shall derive a direct benefit from the Contract.

### **GC 1.7 Status of the Contractor**

1. The Contractor is engaged as an independent Contractor for the sole purpose of performing the Work. Neither the Contractor nor any of its personnel is engaged as an employee, servant or agent of Canada. The Contractor is responsible for all deductions and remittances required by law in relation to its employees including those required for Canada or Quebec Pension Plans, employment insurance, workers' compensation, and income tax.
2. The Contractor declares that the Contractor has not been convicted of an offence, other than an offence for which a pardon has been granted, under section 121, 124 or 418 of the Criminal Code.

### **GC 1.8 Contingency Fees**

1. The Contractor declares that the Contractor has not, directly or indirectly, paid or agreed to pay, and will not, directly or indirectly, pay a contingency fee to any individual for the solicitation, negotiation or obtaining of the contract if the payment of the fee would require the individual to file a return under section 5 of the *Lobbying Act*.

### **GC 1.9 Disclosure of Basic Information**

1. The Contractor consents, in the case of a contract that has a value in excess of \$10,000, to the public disclosure of basic information, other than information described in any of paragraphs 20(1)(a) to (d) of the Access to Information Act, relating to the contract.

## GENERAL CONDITIONS FOR MINOR WORKS (Continued)

### GC 1.10 Integrity Provisions - Contracts over \$10,000.00

- 1) The Ineligibility and Suspension Policy (the "Policy") and all related Directives are incorporated into, and form a binding part of the Contract. The Contractor must comply with the provisions of the Policy and Directives, which can be found on Public Works and Government Services Canada's website at Ineligibility and Suspension Policy. (<http://www.tpsgc-pwgsc.gc.ca/ci-if/politique-policy-eng.html>).

### GC 1.11 Code of Conduct for Procurement - Contracts Over \$10,000.00

- 1) The Contractor agrees to comply with the Code of Conduct (<http://www.tpsgc-pwgsc.gc.ca/app-acq/cndt-cndct/contexte-context-eng.html>) for Procurement and to be bound by its terms for the period of the Contract.

## GC 2 ADMINISTRATION OF THE CONTRACT

### GC 2.1 Departmental Representative's Rights and Obligations

1. The Departmental Representative shall:
  - (a) have access to the Work at all times;
  - (b) decide questions regarding what has been done or what the Contractor is required to do;
  - (c) decide questions regarding the acceptability of the quality or quantity of any Labour, Plant or Material used or consumed in the execution of the Work; and
  - (d) decide questions regarding the timing and scheduling of the Work.

### GC 2.2 Contractor's Superintendent and Workers

1. The Contractor shall keep a competent superintendent and capable and skilled workers on the site of the Work at all times during the progress of the Work. If, in the opinion of the Departmental Representative, the superintendent or the workers are deemed to be unacceptable because of incompetence, improper conduct or security risk, they shall be removed from the site of the Work and replaced forthwith.

### GC 2.3 Records to be Kept by the Contractor

1. The Contractor shall maintain and keep intact complete records relating to the Work together with all tender calls, quotations, contracts, correspondence, invoices and any payment of fees or other compensation for the solicitation, negotiating or obtaining of the contract until the expiration of two (2) years after the date that a Certificate of Completion is issued or the final invoice is paid if no Certificate of Completion is issued. The Contractor shall, upon request from the Departmental Representative, make said records available for copy, audit or inspection to any person(s) acting on behalf of Canada.
2. The Contractor shall cause all Subcontractors, and all other Persons or entities directly or indirectly involved with the Work, to comply with the requirements of GC 2.3.1.

### GC 2.4 Notices

1. Any notice shall be in writing and may be delivered by hand, by courier, by registered or regular mail, or by facsimile or other electronic means that provides a paper record of the text of the notice. The notice shall be addressed to the party for whom it is intended at the address in the Contract or at the last address from which the sender has received notice in accordance with this

## **GENERAL CONDITIONS FOR MINOR WORKS (Continued)**

section. Any notice shall be deemed to be effective on the day it is received at that address or four (4) days after being sent, whichever is the earlier.

### **GC 3 EXECUTION OF THE WORK**

#### **GC 3.1 Material, Plant, and Real Property Become the Property of Canada**

1. All Material and Plant used or consumed for the purposes of the Work shall be the property of Canada. The Material and Plant shall be used only for the purposes of the Work, and shall not be removed from the site of the Work until so approved by the Departmental Representative.
2. The Contractor shall be liable for all loss or damage to Material or Plant that is the property of Canada by virtue of this section.

#### **GC 3.2 Cooperation with Other Contractors**

1. The Contractor shall cooperate fully with other contractors or workers sent onto the site of the Work by the Departmental Representative.
2. If, at the time the Contract was executed: the Contractor could not have reasonably foreseen the sending of other contractors or workers onto the site of the Work; and, the Contractor incurs extra costs in complying with GC 3.2.1; and, the Contractor gives written notice of claim for the extra costs within ten (10) days from the date upon which the other contractors or workers were sent onto the site of the Work; then, Canada shall pay an additional amount to the Contractor, calculated pursuant to GC 5.7.

#### **GC 3.3 Use of the Work and Cleanup of Site**

1. The Contractor shall maintain the site of the Work in a tidy condition and free from the accumulation of waste material throughout the duration of the Contract.
2. Before the Departmental Representative issues the Certificate of Completion or approves payment of the final invoice, the Contractor shall remove all materials, tools, construction machinery, equipment, waste products and debris from the site of the Work.
3. Where the Work affects occupied portions of a building, the Contractor shall ensure continuity of all building services and shall ensure safe access for all persons requiring access to said building.

#### **GC 3.4 Warranty and Rectification of Defects**

1. Without restricting any warranty or guarantee implied or imposed by law or any extended warranty specified in the Contract, the Contractor shall, upon notice from the Departmental Representative and at its own expense, rectify all defects which appear in the Work within twelve (12) months from the date of issuance of the Certificate of Completion pursuant to GC 5.6.1, or from the date of the negotiable instrument issued as final payment if a Certificate of Completion is not issued, whichever is applicable.
2. The notice referred to in GC 3.4.1 shall be in writing and shall include the number of days within which the defect or fault is to be rectified.
3. The Contractor shall transfer and assign, to Canada, any subcontractor, manufacturer or supplier extended warranties or guarantees implied or imposed by law or contained in the contract documents covering periods beyond the twelve (12) months stipulated above. Extended

## **GENERAL CONDITIONS FOR MINOR WORKS (Continued)**

warranties or guarantees referred to herein shall not extend the twelve (12) month period whereby the Contractor must rectify and make good any defect or fault that appears in the work or comes to the attention of Canada.

### **GC 4 PROTECTION, HEALTH AND SAFETY**

#### **GC 4.1 Material, Plant and Real Property Supplied by Canada**

1. The Contractor, having care, custody and control of the Work and its site, shall be responsible for any loss or damage, excluding reasonable wear and tear, to any property of Canada arising out of the performance of the Work whether or not such loss arises from causes beyond the Contractor's control.

#### **GC 4.2 Construction Safety**

1. The Contractor shall be responsible for the health and safety of all persons granted access to the site of the Work and for initiating, maintaining and supervising all safety inspections, precautions and programs in connection with the performance of the Work in accordance with the health and safety legislation in force in the Province where the Work is being performed.

### **GC 5 TERMS OF PAYMENT**

#### **GC 5.1 Definitions**

For the purposes of this section:

- Payment Period means a period of thirty (30) days or such other longer period as may be agreed between the Contractor and the Departmental Representative.
- An amount is Due and Payable when it is due and payable by Canada to the Contractor in accordance with the terms of the Contract.
- An amount is Overdue when it remains unpaid after the day upon which it is due and payable.
- Date of Payment means the date of the negotiable instrument of an amount due and payable by the Receiver General for Canada.
- Fixed Price Arrangement means that part of the Contract that prescribes a lump sum as payment for performance of the Work to which it relates.
- Unit Price Arrangement means that part of the Contract that prescribes the product of a Price Per Unit multiplied by a number of Units of Measurement of a Class as payment for performance of the Work to which it relates.
- Price Table means the table set out in the BID AND ACCEPTANCE FORM.
- Bank Rate means the rate of interest established from time to time by the Bank of Canada as the minimum rate at which the Bank of Canada makes short term advances to members of the Canadian Payments Association.
- Average Bank Rate means the simple arithmetic mean of the Bank Rates in effect at 4:00 pm Eastern Time each day during the calendar month which immediately precedes the calendar month in which payment is made.
- Duration of the Work means the number of calendar days required to complete the Work, commencing on the first day following receipt by the Contractor of the fully executed Contract and ending the day on which the Departmental Representative verifies that the Work has been satisfactorily completed.

#### **GC 5.2 Payment - General Provisions**

## **GENERAL CONDITIONS FOR MINOR WORKS (Continued)**

1. It is a condition precedent to Canada's obligation under GC 5.3.5 that the Contractor has made and delivered to the Departmental Representative, a statutory declaration as described in GC 5.2.2.
2. A statutory declaration in a form acceptable to Canada shall contain a declaration that the Contractor has complied with all lawful obligations with respect to workers and that all lawful obligations towards Subcontractors and Suppliers in respect of the Work under the Contract have been fully discharged.
3. A payment by Canada pursuant to this section shall not be construed as evidence that the Work is satisfactory or in accordance with the Contract.
4. Delay in making payment by Canada under the Contract shall not constitute a breach of Contract.
5. Without limiting any right of setoff or deduction given or implied by law or elsewhere in the Contract, Canada may retain from amounts payable to the Contractor under the Contract, any amount payable to Canada by the Contractor under the Contract or any other current contract.
6. No additional payment shall be made for delays where the cause of the delay was under the control of the Contractor.
7. Except as provided for in these General Conditions, the amount payable to the Contractor under the Contract shall not be increased or decreased by reason of any increase or decrease in cost of the Work brought about by any increase in the cost of Labour, Plant or Material.
8. In the event of a change, including a new imposition or repeal of any tax, customs or other duty, charge, or any similar imposition that is imposed under sales or excise tax legislation of the Government of Canada or any Provincial or Territorial legislation, affects the cost of the Work to the Contractor, and occurs after the date of submission by the Contractor of the Contractor's bid, the contract amount shall be adjusted by an amount equal to the increased or decreased cost to the Contractor, which amount shall be determined through a detailed examination of the Contractor's records.
9. It is a term of every contract providing for the payment of any money by Her Majesty that payment under that contract is subject to there being an appropriation for the particular service for the fiscal year in which any commitment under that contract would come in course of payment. Section 40, *Financial Administration Act*, R.S., 1985, c. F-11, s. 40.

### **GC 5.3 Progress Payments**

1. Where the duration of the Work is greater than thirty (30) days, the Contractor shall be entitled to receive monthly progress payments upon submitting a progress claim in a form approved by the Departmental Representative. Where the duration of the Work is less than thirty (30) days, the Contractor shall submit a progress claim after the Work is complete.
2. On the expiration of a Payment Period, the Contractor shall deliver to the Departmental Representative:
  - (a) a written progress claim that fully describes any part of the Work that has been satisfactorily completed and any Material that was delivered to the site of the Work but not incorporated into the Work during the Payment Period for which the progress claim relates;
  - (b) a completed and signed statutory declaration as described in GC 5.2.2; and

## GENERAL CONDITIONS FOR MINOR WORKS (Continued)

- (c) in the case of the initial progress claim and the request for final payment, satisfactory evidence of compliance with workers compensation legislation that is applicable to the place of the Work.
- 3. Not later than ten (10) days after receipt of a progress claim properly submitted in accordance with GC 5.3.2, the Departmental Representative shall issue a progress report, a copy of which shall be given to the Contractor.
- 4. A progress report shall indicate the value of the part of the Work and Material described in the progress claim that, in the opinion of Canada:
  - (a) is in accordance with the Contract; and
  - (b) was not included in any other progress report related to the Contract.
- 5. Not later than thirty (30) days after the receipt by the Departmental Representative of a properly submitted progress claim and supporting documentation, Canada shall make a progress payment to the Contractor in an amount that is equal to one of the following:
  - (a) 90 percent of the value that is indicated in the progress report; or
  - (b) If the Departmental Representative is satisfied that the Work is substantially complete and is acceptable for use by Canada, 100 percent of the value of the Work and Material that is in accordance with the Contract, less amounts previously paid for under the Contract, less the amount equal to the estimated cost of completing the Work and the estimated cost of rectifying defects and faults in the Work as determined by the Departmental Representative; or
  - (c) If the Departmental Representative is satisfied that the Work is complete, 100 percent of the value of the Work that is in accordance with the Contract less amounts previously paid for under the Contract;plus Applicable Taxes and less the aggregate of any amounts payable to or costs and damages claimed by Canada or by a Claimant against the Contractor.
- 6. The Departmental Representative reserves the right to increase or decrease the quantities submitted by the Contractor if there is a disagreement between the Contractor's invoiced quantities and the quantities shown in the records maintained at the site of the Work.
- 7. Subject to GC 5.3.8, GC 5.3.9 and GC 5.3.10, the Departmental Representative and the Contractor may, by an agreement in writing, amend a Price Per Unit as set out in the Price Table for any Class of Labour, Plant or Material provided the Certificate of Measurement shows that the Authorized Quantity of the Class of Labour, Plant or Material actually performed, used or supplied by the Contractor in performing the Work is:
  - (a) less than 85 percent of the Estimated Total Quantity; or
  - (b) in excess of 115 percent of the Estimated Total Quantity.
- 8. In no event shall the total amount of an Item set out in the Price Table that has been amended pursuant to GC 5.3.7 (a) exceed the amount that would have been Payable to the Contractor had the Estimated Total Quantity actually been performed, used, or supplied.
- 9. An amendment that is made necessary by GC 5.3.7 (b) shall apply only to the quantities that are in excess of 115 percent.
- 10. Where the Departmental Representative and the Contractor fail to agree on the amount of any adjustment to a Price Per Unit as contemplated by GC 5.3.7, the amended Price Per Unit shall be determined in accordance with GC 5.7.

## **GENERAL CONDITIONS FOR MINOR WORKS (Continued)**

### **GC 5.4 Interest on Overdue Accounts**

1. Canada shall be liable to pay, to the Contractor, simple interest at the Average Bank Rate plus 3 percent per annum on any amount that is Overdue. The interest shall apply from the date such amount becomes Overdue until the day prior to the Date of Payment inclusively.
2. Interest shall be paid to the Contractor without demand on Overdue payments, except, in respect to amounts which are less than fifteen (15) days Overdue, in which case, no interest shall be paid unless the Contractor so demands.
3. Canada shall not be liable to pay interest where Canada is not responsible for the delay in paying the Contractor.

### **GC 5.5 Payment in the Event of Termination**

1. If the Contract is terminated pursuant to GC 7.4, Canada shall pay the Contractor:
  - (a) an amount, as agreed upon by the Contractor and the Departmental Representative, for all Labour, Plant and Material performed, used or supplied by the Contractor as at the date of termination plus
    - (i) any fully supported termination costs incurred by the Contractor, less
    - (ii) any amounts payable to or costs and damages claimed by Canada or by a Claimant, against the Contractor; or
  - (b) failing such an agreement, an amount calculated in accordance with GC 5.7.2.

### **GC 5.6 Final Completion**

1. A Certificate of Completion shall be issued to the Contractor on the date on which the Work has been completed and the Contractor has complied with the Contract and all orders and directions made pursuant thereto, all to the satisfaction of the Departmental Representative.
2. Where the Contract is, in whole or in part, a Unit Price Arrangement, the Departmental Representative shall, at the same time as the issuance of the Certificate of Completion, issue a Certificate of Measurement setting out the Authorized Quantities used or employed in respect of the classes and units set out in the Price Table under the BID AND ACCEPTANCE FORM and any subsequent amendments thereto, such certificate to be binding upon the Contractor and Canada.

### **GC 5.7 Determination of Price**

1. By mutual agreement:
  - (a) where a Lump Sum Arrangement applies to the Contract or a part thereof, the price of any change shall be the aggregate estimated cost of Labour, Plant and Material that is required for the change as agreed upon in writing by the Contractor and Canada, and include an allowance for overhead, margin and the risk of undertaking the work within the stipulated amount;
  - (b) where a Unit Price Arrangement applies to the Contract or a part thereof, the Contractor and Canada may, by agreement in writing, add Items, Units of Measurement, Estimated Total Quantities and Price Per Units to the Price Table;
  - (c) a Price Per Unit referred to in GC 5.7.1 (b) shall be determined on the basis of the aggregate estimated cost of Labour, Plant and Material that is required for the additional Item as agreed upon by the Contractor and Canada, and include an allowance for overhead, margin and the risk of undertaking the work;

## GENERAL CONDITIONS FOR MINOR WORKS (Continued)

- (d) to facilitate approval of the price of the additional Item, the Contractor shall submit a cost estimate breakdown identifying, as a minimum, the estimated cost of Labour, Plant, Material, each subcontract amount, and the amount of the appropriate percentage allowance;
- (e) if no agreement can be reached as contemplated in GC5.7.1 (a), the price shall be determined in accordance with GC 5.7.2; and
- (f) if no agreement can be reached as contemplated in GC 5.7.1 (b) and GC 5.7.1 (c), the Departmental Representative shall determine the Class and the Unit of Measurement of the Item of Labour, Plant or Material and the Price Per Unit shall be determined in accordance with GC 5.7.2.

### 2. Following Completion of the Additional Work

- (a) Where it is not possible to predetermine, or where there is failure to agree upon the price of a change in the Work, the price of the change shall be equal to the aggregate of:
  - (i) all reasonable and proper amounts actually expended or legally payable by the Contractor in respect of the Labour, Plant and Material that fall within one of the classes of expenditure described in GC 5.7.2(b), that are directly attributable to the performance of the Contract; plus
  - (ii) an allowance for profit and all other expenditures or costs equal to 10 percent of the sum of the amounts referred to in GC 5.7.2 (a)(i); plus
  - (iii) interest, if any, paid by the Contractor on the amounts determined under GC 5.7.2 (a)(i) and (ii), calculated in accordance with GC 5.4.
- (b) The cost of Labour, Plant and Material referred to in GC 5.7.2 (a) shall be limited to the following categories of expenditure:
  - (i) payments to Subcontractors and suppliers;
  - (ii) wages, salaries and traveling expenses of employees of the Contractor located at the site of the Work and that portion of wages, salaries, bonuses, living and traveling expenses of personnel of the Contractor generally employed at the head office or at a general office of the Contractor provided they are actually and properly engaged on the Work under the Contract;
  - (iii) assessments payable under any statutory authority relating to workers' compensation, employment insurance, pension plan or holidays with pay, provincial health or insurance plans, environmental reviews, and GST/HST collection costs;
  - (iv) rent that is paid for Plant, or an amount equivalent to the said rent if the Plant is owned by the Contractor, that is necessary for and used in the performance of the Work, if the rent or the equivalent amount is reasonable and use of that Plant had been approved by the Departmental Representative;
  - (v) payments for maintaining and operating Plant necessary for and used in the performance of the Work, and payments for effecting repairs thereto that, in the opinion of the Departmental Representative, are necessary for the proper performance of the Contract, other than payments for any repairs to the Plant arising out of defects existing before its allocation to the Work;
  - (vi) payments for Material that is necessary for and incorporated in the Work, or that is necessary for and consumed in the performance of the Contract;
  - (vii) payments for preparation, delivery, handling, erection, installation, inspection, protection and removal of the Plant and Material necessary for and used in the performance of the Contract; and
  - (viii) any other payments made by the Contractor with the approval of the Departmental Representative that are necessary for the performance of the Contract in accordance with the Contract Documents.

## GC 5.8 Claims Against and Obligations of the Contractor or Subcontractor



## GENERAL CONDITIONS FOR MINOR WORKS (Continued)

1. The Contractor shall ensure that all its lawful obligations arising out of the performance of the Work are discharged and satisfied at least as often as the Contract requires Canada to pay the Contractor. The Contractor shall provide the Departmental Representative with a Statutory Declaration, as referred to in GC 5.2.2. If any third party claims and outstanding obligations exist under the Contract, a Statutory Declaration shall also be accompanied by letter documentation that clearly identifies the existence and condition of any third party disputed claims and outstanding obligations.
2. In order to discharge lawful obligations of and satisfy lawful claims against the Contractor or a Subcontractor arising out of the performance of the Work, Canada may:
  - (a) pay an amount from money that is due and payable to the Contractor pursuant to the Contract directly to the claimant against the Contractor or the Subcontractor; or
  - (b) withhold from any amount that is due and payable to the Contractor pursuant to the Contract the full amount of the claim or any portion thereof. Monies withheld for this purpose shall not be subject to any interest payment in the event such claims are rejected.
3. The amount referred to in GC 5.8.2 (a) shall be that amount which the Contractor would have been obliged to pay to such claimant had the provisions of the Provincial or Territorial lien legislation, or in the province of Quebec, the law relating to mortgage, been applicable to the Work. Any such claimant need not comply with the provisions of such legislation setting out the steps by way of notice, registration, or otherwise as might have been necessary to preserve or perfect any claim for lien or mortgage which the claimant might have had.
4. For the purposes of GC 5.8, a claim shall be considered lawful when it is so determined:
  - (a) by a court of competent jurisdiction;
  - (b) by an arbitrator duly appointed to arbitrate the said claim; or
  - (c) by written notice delivered to the Departmental Representative and signed by the Contractor authorizing payment of the said claim(s).
5. A payment made pursuant to GC 5.8.2 is, to the extent of the payment, a discharge of Canada's liability to the Contractor under the Contract and may be deducted from any amount payable to the Contractor under the Contract.
6. GC 5.8.2 shall only apply to claims and obligations where:
  - (a) the notification of which has set forth the amount claimed to be owing and the person who by Contract is primarily liable;
  - (b) the notification or a copy of the notification was received by the Departmental Representative in writing before final payment is made to the Contractor and within one hundred and twenty (120) days of the date on which the claimant:
    - (i) should have been paid in full under the claimant's Contract with the Contractor or Subcontractor where the claim is for money that was lawfully required to be held back from the claimant; or
    - (ii) performed the last of the labour or furnished the last of the Plant or Material pursuant to the claimant's Contract with the Contractor or Subcontractor where the claim is not for money referred to in GC 5.8.6 (b)(i); and
  - (c) the proceedings to determine the right to payment for the claim shall have commenced within one year from the date that the notice referred to in GC 5.8.6 (b) was received by the Department Representative.
7. The Departmental Representative shall inform the Contractor in writing of receipt of any notification of claim and of the intention of Canada to withhold funds pursuant to GC 5.8.2. The Contractor may, at any time thereafter and until payment is made to the claimant, post with Canada, security in the form of a Claimant's Payment Bond acceptable to Canada and in an

## **GENERAL CONDITIONS FOR MINOR WORKS (Continued)**

amount equal to the value of the said claim. Upon receipt of such security Canada shall release to the Contractor any funds which would be otherwise payable to the Contractor, that were withheld pursuant to the provisions of GC 5.8.2.

### **GC 6 CHANGES IN THE WORK**

#### **GC 6.1 Changes in the Work**

1. Canada shall have the right to order additional Work, dispense with, or change the whole or any part of the Work described in the Drawings and Specifications or Scope of the Work.
2. The Departmental Representative shall decide whether anything done or not done as a result of directions given under GC 6.1.1 has increased or decreased the cost of the Work to the Contractor and where the cost of the Work has increased or decreased, the amount payable under the Contract shall be increased or decreased by an amount calculated in accordance with GC5.7.
3. Any change in the terms of the Contract, other than changes that may be ordered by Canada or the Departmental Representative pursuant to GC 6.1.1, may be made only by agreement in writing between Canada and the Contractor.

#### **GC 6.2 Changes in Subsurface Conditions and Delays by Canada**

1. No extra payment shall be made to the Contractor for any extra expense, loss or damage for any reason unless Canada shall certify that such extra expense, loss or damage is directly attributable to:
  - (a) a substantial difference between the subsurface conditions as indicated in the Drawings and Specifications or Scope of Work and the actual conditions found at the site of the Work; or
  - (b) the neglect or delay by Canada, occurring after the date of award of the Contract:
    - (i) in providing any information or the doing of any act which Canada is required expressly by the Contract to do or as required by a known custom of the trade; or
    - (ii) in suspending the Work pursuant to GC 7.3.
2. The Contractor shall, within ten (10) days immediately after encountering such subsurface conditions or such neglect or delay, give written notice to the Departmental Representative of a claim for such extra expense, loss or damage. Failure to provide such written notice shall render the claim null and void.
3. The amount of any extra payment made under this section shall be calculated in accordance with GC 5.7.
4. If, in the opinion of the Departmental Representative, any difference in subsurface conditions referred to in GC 6.2.1 results in a savings to the Contractor, the amount of said savings shall be deducted from the Contract Amount owing to the Contractor.

#### **GC 6.3 Extension of Time**

1. Upon written application by the Contractor made before the date fixed for the completion of the Work, Canada may extend the time for completion of the Work if, in the opinion of Canada causes beyond the control of the Contractor have delayed its completion.
2. If the Contractor does not complete the Work by the day fixed for its completion, but completes it thereafter, the Contractor shall:

## **GENERAL CONDITIONS FOR MINOR WORKS (Continued)**

- (a) pay all Canada's inspection costs relating to the Work incurred after the stipulated completion date; and
- (b) compensate Canada for any loss or damage resulting from the failure by the Contractor to complete the Work by the completion date fixed by the Contract.

Unless, in the opinion of Canada, such delay was due to causes beyond the control of the Contractor or it is in the public interest to waive the whole or any part of the payment.

### **GC 7 DEFAULT, SUSPENSION OR TERMINATION OF CONTRACT**

#### **GC 7.1 Taking the Work Out of the Contractor's Hands**

1. By giving notice in writing to the Contractor, Canada may take all or any part of the Work out of the Contractor's hands, and may employ such means as Canada sees fit to have the Work completed if the Contractor:
  - (a) fails to remedy any delay in the commencement or default in the execution of the Work to the satisfaction of the Departmental Representative within six (6) days of Canada giving written notice to the Contractor to do so;
  - (b) defaults in the completion of any part of the Work within the time fixed by the Contract for its completion;
  - (c) becomes insolvent or commits an act of bankruptcy and has neither made a proposal to its creditors nor filed a notice of intention to make such a proposal pursuant to the *Bankruptcy and Insolvency Act*;
  - (d) abandons the Work;
  - (e) makes an assignment contrary to GC 1.3; and or
  - (f) otherwise fails to observe or perform any of the provisions of the Contract.
2. If the whole or any part of the Work is taken out of the Contractor's hands, the Contractor's right to any further payment that is due or accruing due under the Contract is extinguished.
3. The Contractor shall be liable to pay Canada, upon demand, an amount that is equal to the sum of all losses and damages incurred or sustained by Canada in respect of the Contractor's failure to complete the Work.
4. If the whole or any part of the Work that is taken out of the Contractor's hands pursuant to GC 7.1.1 is completed by Canada, the Departmental Representative shall calculate the amount, if any, of the holdback or progress claims that had accrued and was due prior to the date on which the Work was taken out of the Contractor's hands.
5. If it is determined that there is an amount that is not required for the purposes of having the Work performed or of compensating Canada for any other loss or damage incurred or sustained by reason of the Contractor's default, Canada may then pay the Contractor the amount determined not to be required pursuant to GC 7.1.4.

#### **GC 7.2 Effect of Taking the Work Out of the Contractor's Hands**

1. The taking of the Work or part thereof out of the Contractor's hands pursuant to GC 7.1.1 does not operate so as to relieve or discharge the Contractor from any obligations under the Contract or imposed upon the Contractor by law except the obligation to complete the performance of that part of the Work that was taken out of the Contractor's hands.
2. All Plant and Material and the interest of the Contractor in all real property, licenses, powers and privileges acquired, used, provided or consumed by the Contractor under the Contract shall continue to be the property of Canada without compensation to the Contractor.

## **GENERAL CONDITIONS FOR MINOR WORKS (Continued)**

3. When the Departmental Representative certifies that any Plant, Material or any interest of the Contractor referred to in GC 7.2, is no longer required for the purpose of the Work, or that it is not in the interests of Canada to retain that Plant, Material or interest, it shall revert to the Contractor.

### **GC 7.3 Suspension of the Contract**

1. Canada may, upon giving notice in writing to the Contractor, suspend the performance of the Work at any time. The Contractor shall comply with such notice immediately, subject to any conditions that may be stipulated in the notice.
2. If Canada suspends the Work for thirty (30) days or less the Contractor shall, subject to its remedy under GC 5.7, complete the Work when called upon to do so. If Canada suspends the Work for a period in excess of thirty (30) days, the Contractor may request that Canada terminate the Contract pursuant to GC 7.4.
3. It is the responsibility of the Contractor to mitigate all costs during the suspension period.

### **GC 7.4 Termination of the Contract**

1. Canada may terminate the Contract at any time by giving notice of termination in writing to the Contractor and upon receipt of such notice the Contractor shall cease all operations in performance of the Contract, subject to any conditions that may be stipulated in the notice.
2. Termination under GC 7.4.1 shall not relieve the Contractor of any legal or contractual obligations other than that portion of Work that remains to be completed at the time of the termination.
3. Payment, in event of termination under this subsection, shall be made pursuant to the provision of GC 5.5.

## **GC 8 DISPUTE RESOLUTION**

1. The Contractor may, within 10 days after the communication to the Contractor of any decision or direction referred to in GC2.1(b) and GC6.1, protest that decision or direction.
2. A protest referred to in GC8.1 shall be in writing, contain full reasons for the protest, be signed by the Contractor and be given to Canada.
3. If the Contractor gives a protest pursuant to GC8.2, any compliance by the Contractor with the decision or direction that was protested shall not be construed as an admission by the Contractor of the correctness of that decision or direction, or prevent the Contractor from taking whatever action the Contractor considers appropriate in the circumstances.
4. The giving of a protest by the Contractor pursuant to GC8.2 shall not relieve the Contractor from complying with the decision or direction that is the subject of the protest.
5. Subject to GC8.6, the Contractor shall take any action referred to in GC8.3 within 3 months after the date of the Certificate of Completion referred to in GC5.6 and not afterwards, except where it is otherwise provided by law.
6. The Contractor shall take any action referred to in GC8.3 resulting from a direction under GC3.4, within 3 months after the expiry of a warranty or guarantee period and not afterwards, except where it is otherwise provided by law.

## **GENERAL CONDITIONS FOR MINOR WORKS (Continued)**

7. Subject to GC8.8, if Canada determines that the Contractor's protest is justified, Canada shall pay the Contractor the cost of the additional labour, Plant and Material necessarily incurred by the Contractor in carrying out the protested decision or direction.
8. Costs referred to in GC8.7 shall be calculated in accordance with GC5.7.

### **GC 9 INDEMNIFICATION AND INSURANCE**

#### **GC 9.1 Indemnification**

1. The Contractor shall indemnify and save harmless Canada, its servants, agents and all those for whom Canada may be, in law, responsible, from and against all claims, demands, losses, damages, costs and legal proceedings by whomever made, sustained, brought or prosecuted, and in any manner based upon, occasioned by or attributed to the activities of the Contractor, the Contractor's employees, agents or persons for whom the Contractor is, in law, responsible for the performance or purported performance of the Contract, including an infringement or alleged infringement of a patent of invention or any other kind of intellectual property.
2. For the purpose of GC 9.1.1, activities include any act improperly carried out and any omission or delay in carrying out an act.
3. The Contractor's liability to indemnify or reimburse Canada under the Contract shall not affect or prejudice Canada from exercising any rights available to Canada at law or in equity.

#### **GC 9.2 Insurance Contracts**

1. The Contractor shall, at the Contractor's expense, obtain and maintain insurance contracts in respect of the work and shall provide evidence thereof to Canada in accordance with the requirements of the INSURANCE TERMS.
2. The insurance contracts referred to in GC 9.2.1 shall:
  - (a) be in a form, of the nature, in the amounts, for the periods and containing the terms and conditions specified in INSURANCE TERMS; and
  - (b) provide for the payment of claims under such insurance contracts in accordance with GC 9.3.

#### **GC 9.3 Insurance Proceeds**

1. In the case of a claim payable under a Builders Risk/Installation (All Risks) insurance contract maintained by the Contractor pursuant to GC 9.2, the proceeds of the claim shall be paid directly to Canada, and
  - (a) the monies so paid shall be held by Canada for the purposes of the Contract, or
  - (b) if Canada elects, shall be retained by Canada, in which event they vest in Canada absolutely.
2. In the case of a claim payable under a General Liability insurance contract maintained by the Contractor pursuant to GC 9.2, the proceeds of the claim shall be paid by the insurer directly to the claimant.
3. If an election is made pursuant to GC 9.3.1, Canada may cause an audit to be made of the accounts of the Contractor and of Canada in respect of the part of the work that was lost, damaged or destroyed for the purpose of establishing the difference, if any, between
  - (a) the aggregate of the amount of the loss or damage suffered or sustained by Canada, including any costs incurred in respect of the clearing and cleaning of the Work and its

## GENERAL CONDITIONS FOR MINOR WORKS (Continued)

- site and any other amount that is payable by the Contractor to Canada under the Contract, minus any monies retained pursuant to GC 9.3.1 (b); and
- (b) the aggregate of the amounts payable by Canada to the Contractor pursuant to the Contract up to the date of the loss or damage.
4. A difference that is established pursuant to GC 9.3.3 shall be paid forthwith by the party who is determined by the audit to be the debtor to the party who is determined by the audit to be the creditor.
  5. When payment of a deficiency has been made pursuant to GC 9.3.4, all rights and obligations of Canada and the Contractor under the Contract shall, with respect only to the part of the work that was the subject of the audit referred to in GC 9.3.3, be deemed to have been expended and discharged.
  6. If an election is not made pursuant to GC 9.3.1 (b), the Contractor shall, subject to GC 9.3.7, clear and clean the work and its site and restore and replace the part of the work that was lost, damaged or destroyed at the Contractor's expense as if that part of the work had not yet been performed.
  7. When the Contractor clears and cleans the Work and its site and restores and replaces the work referred to in GC 9.3.6, Canada shall pay the Contractor out of the monies referred to in GC 9.3.1 so far as they will thereon to extend.
  8. Subject to GC 9.3.7, payment by Canada pursuant to GC 9.3.7 shall be made in accordance with the Contract but the amount of each payment shall be 100 percent of the amount claimed notwithstanding GC 5.3 a) and b).



## Appendix "E"

### STATEMENT OF WORK & DRAWINGS

## **APPENDIX B STATEMENT OF WORK**

### **TITLE:**

WALKWAYS AND LOADING DOCK REPAIRS AND REPLACEMENT

### **BACKGROUND:**

This tender involves the replacement of a number of concrete panels on two (2) walkways, repairs to several spalled areas on the two (2) walkways, replacement of the slab on grade at the rear loading dock and replacement of the slab floor in the interior portion of the rear loading dock. All work is located at our Main Complex, 440 University Avenue, Charlottetown PEI.

### **SCOPE OF WORK:**

- See drawings S1, S2, S3 and S4 for full details and requirements for the following repairs:
  - o Replacement of damaged sections of the main entrance concrete walkway (18 panels).
  - o Repairs to spalled areas of the main entrance concrete walkway. Quantity to be surveyed by Facilities Manager and contractor.
  - o Replacement of damaged sections of the concrete sidewalk going to University Avenue (7 panels).
  - o Repairs to spalled areas of the concrete sidewalk going to University Avenue. Quantity to be surveyed by Facilities Manager and contractor.
  - o Replacement of damaged sections of concrete curbs at drop off area.
  - o Replacement of the slab on grade at the rear loading dock.
  - o Replacement of the interior cement floor of the loading dock interior room.
  - o Reinstate grounds and use sod to replace damaged grass areas.
  - o Reinstate damaged or removed asphalt with new asphalt.

### **Contractor's Responsibilities:**

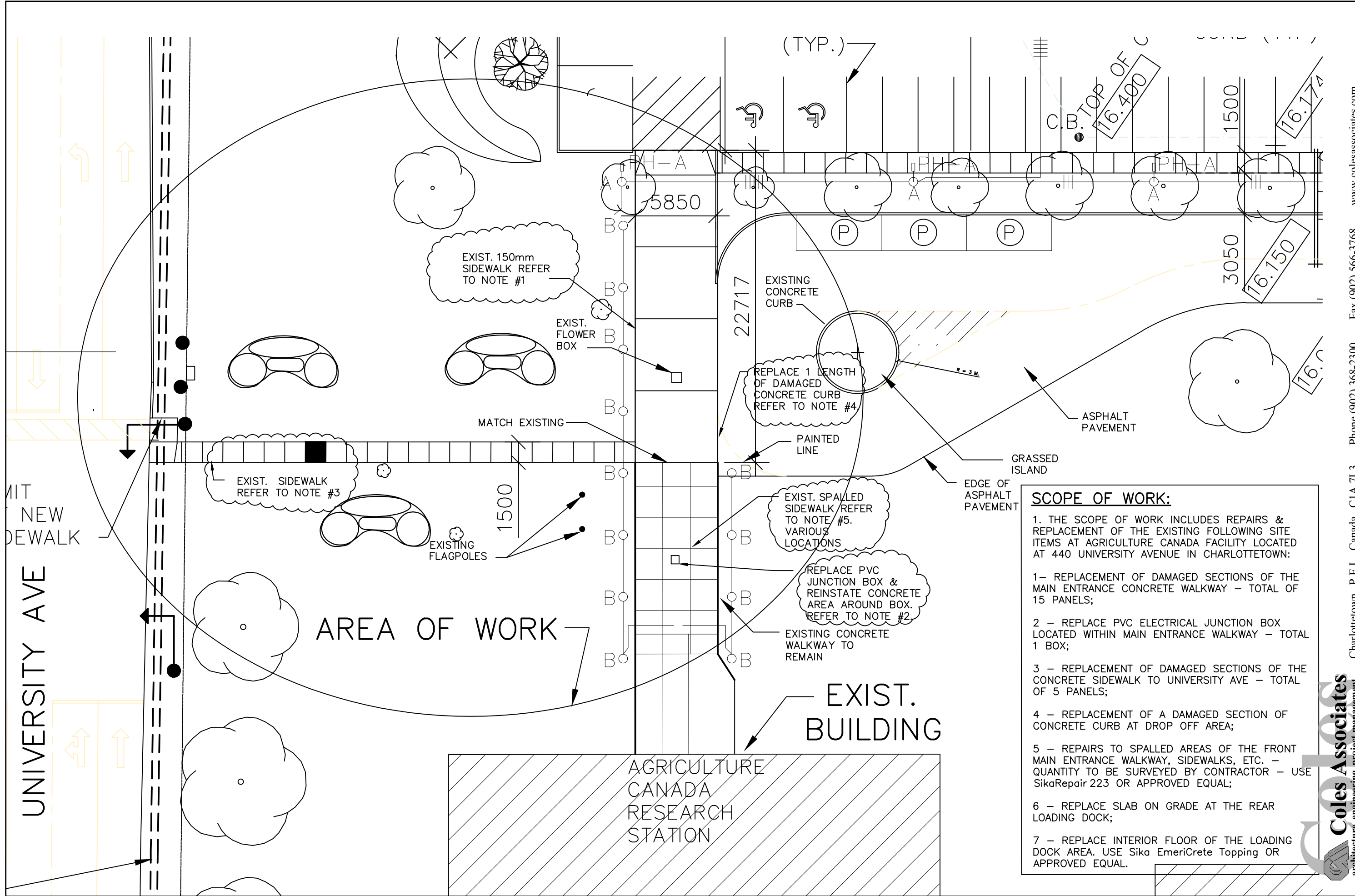
- Meet with Facilities Manager seven (7) working days after contract award date and discuss project, time lines etc. At the meeting , the following will have to be available to the Facilities Manager:
  - o Site Specific Safety plan.
  - o Demolition and Waste Disposal plans.
  - o Schedule
  - o List of subcontractors and contact information.
  - o Provide onsite supervisor name and contact information.
  - o Workers Compensation Board (WCB) Certificate of Good Standing.
  - o Liability Insurance Certificate.
  - o Invoicing details. Cost breakdown.
  
- Contractors on site that will be working in the building must have a reliability security clearance from AAFC. AAFC will supply the paperwork needed for security review and approval.



- Contractor to supply their own washroom facilities.
- Work schedule shall be coordinated with Kenny MacInnis/Facilities Manager 48 hours before starting the project. Kenny can be contacted by calling (902) 370-1411.
- During construction activity, the Contractor may store materials and park construction equipment on the site at their own risk. Check with Facilities Manager on locations.
- Maintain work areas in a tidy condition, free from accumulations of waste material and debris.
- It will be the responsibility of the Contractor to remove all surplus materials (construction waste, etc.) from the work site daily and to dispose of it in an environmentally acceptable manner. Contractor must supply their own waste container and not use the sites containers.
- All interior work to be carried out during our regular business working hours. (8am-4:25pm, Monday-Friday).
- All exterior work to be carried out during our regular business working hours. (8am-4:25pm, Monday-Friday). After hours work to be approved by the Facilities Manager.
- The Contractor shall adhere to all Federal, Provincial and WCB health and safety codes and regulations affecting the work described herein. The Contractor will supply site workers with all necessary safety equipment and training required to perform the work safely while on the site.
- Perform work in accordance with all codes including National Building Code latest edition, federal, provincial and municipal bylaws and regulations, including all amendments. In any case of conflict or discrepancy, the more stringent requirement shall apply.
- The contractor must recognize that building occupants will be affected by the implementation of this contract. The Contractor must perform the work with utmost regards for safety and convenience of building occupants and users. All work activities must be planned and scheduled with this in mind.
- Execute work with the least possible interference or disturbance to building operations, occupants, and public and normal use of premises. Arrange with AAFC Facilities Manager to facilitate execution of work.
- Provide temporary barriers and warning signs in and around construction area to prevent pedestrians from entering the construction area.

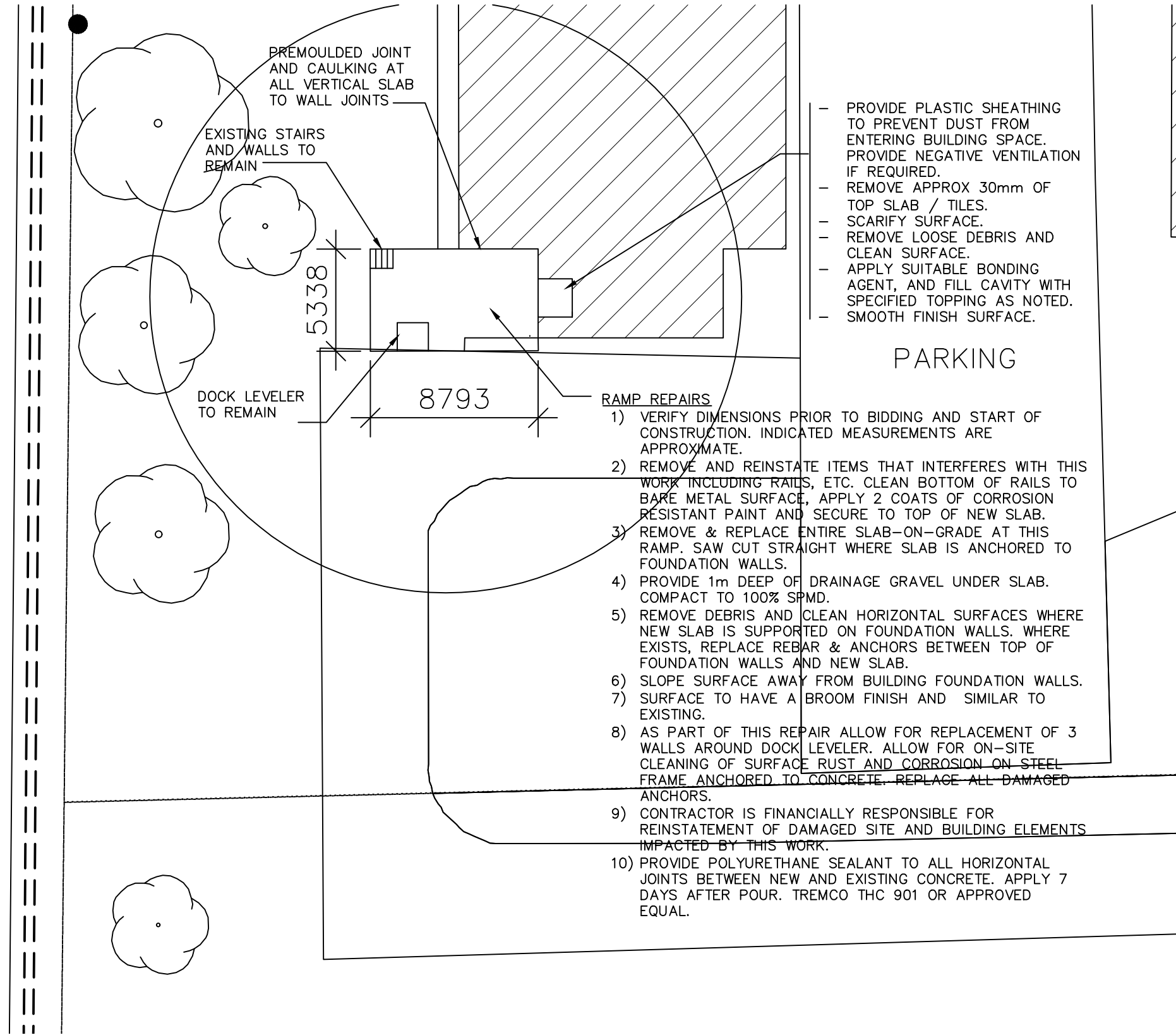
- Access to the main entrance and University Avenue and loading dock must be maintained at all times.
- Materials and workmanship must meet or exceed requirements of specified standards, codes and referenced documents and drawings S1 – S4.
- Construction activity may only start work once the contract has been awarded and all required paperwork is signed and submitted to AAFC.
- Final completion must be on or before **November 15, 2018**
- In preparation for acceptance of the completed work performed, final cleaning must be completed and work is to be inspected by the Facility Manager and engineer upon completion before final payment is made.
- Contractor to supply a letter indicating the job has a minimum of one year parts and labor warranty after substantial completion of the contract.
- Contractor is to provide AAFC with one (1) O&M manual. Manual to be provided in 1” 3 ring binders and include the following information:
  1. All sections to be indexed
  2. Table of contents
  3. Contractor and sub-contractor contact information
  4. Shop drawings of all materials
  5. Warranty letter
  6. Change Order documentation

O&M equipment manuals if applicable



- SCOPE OF WORK:**
1. THE SCOPE OF WORK INCLUDES REPAIRS & REPLACEMENT OF THE EXISTING FOLLOWING SITE ITEMS AT AGRICULTURE CANADA FACILITY LOCATED AT 440 UNIVERSITY AVENUE IN CHARLOTTETOWN:
    - 1- REPLACEMENT OF DAMAGED SECTIONS OF THE MAIN ENTRANCE CONCRETE WALKWAY - TOTAL OF 15 PANELS;
    - 2 - REPLACE PVC ELECTRICAL JUNCTION BOX LOCATED WITHIN MAIN ENTRANCE WALKWAY - TOTAL 1 BOX;
    - 3 - REPLACEMENT OF DAMAGED SECTIONS OF THE CONCRETE SIDEWALK TO UNIVERSITY AVE - TOTAL OF 5 PANELS;
    - 4 - REPLACEMENT OF A DAMAGED SECTION OF CONCRETE CURB AT DROP OFF AREA;
    - 5 - REPAIRS TO SPALLED AREAS OF THE FRONT MAIN ENTRANCE WALKWAY, SIDEWALKS, ETC. - QUANTITY TO BE SURVEYED BY CONTRACTOR - USE SikaRepair 223 OR APPROVED EQUAL;
    - 6 - REPLACE SLAB ON GRADE AT THE REAR LOADING DOCK;
    - 7 - REPLACE INTERIOR FLOOR OF THE LOADING DOCK AREA. USE Sika EmeriCrete Topping OR APPROVED EQUAL.

UNIVERSITY AVE



- PROVIDE PLASTIC SHEATHING TO PREVENT DUST FROM ENTERING BUILDING SPACE. PROVIDE NEGATIVE VENTILATION IF REQUIRED.
- REMOVE APPROX 30mm OF TOP SLAB / TILES.
- SCARIFY SURFACE.
- REMOVE LOOSE DEBRIS AND CLEAN SURFACE.
- APPLY SUITABLE BONDING AGENT, AND FILL CAVITY WITH SPECIFIED TOPPING AS NOTED.
- SMOOTH FINISH SURFACE.

**SCOPE OF WORK:**

1. THE SCOPE OF WORK INCLUDES REPAIRS & REPLACEMENT OF THE EXISTING FOLLOWING SITE ITEMS AT AGRICULTURE CANADA FACILITY LOCATED AT 440 UNIVERSITY AVENUE IN CHARLOTTETOWN:
- 1- REPLACEMENT OF DAMAGED SECTIONS OF THE MAIN ENTRANCE CONCRETE WALKWAY - TOTAL OF 15 PANELS;
  - 2 - REPLACE PVC ELECTRICAL JUNCTION BOX LOCATED WITHIN MAIN ENTRANCE WALKWAY - TOTAL 1 BOX;
  - 3 - REPLACEMENT OF DAMAGED SECTIONS OF THE CONCRETE SIDEWALK TO UNIVERSITY AVE - TOTAL OF 5 PANELS;
  - 4 - REPLACEMENT OF A DAMAGED SECTION OF CONCRETE CURB AT DROP OFF AREA;
  - 5 - REPAIRS TO SPALLED AREAS OF THE FRONT MAIN ENTRANCE WALKWAY, SIDEWALKS, ETC. - QUANTITY TO BE SURVEYED BY CONTRACTOR - USE SikaRepair 223 OR APPROVED EQUAL;
  - 6 - REPLACE SLAB ON GRADE AT THE REAR LOADING DOCK;
  - 7 - REPLACE INTERIOR FLOOR OF THE LOADING DOCK AREA. USE Sika EmeriCrete Topping OR APPROVED EQUAL.

Charlottetown, P.E.I., Canada, C1A 7L3 Phone (902) 368-2300 Fax (902) 566-3768 www.colesassociates.com



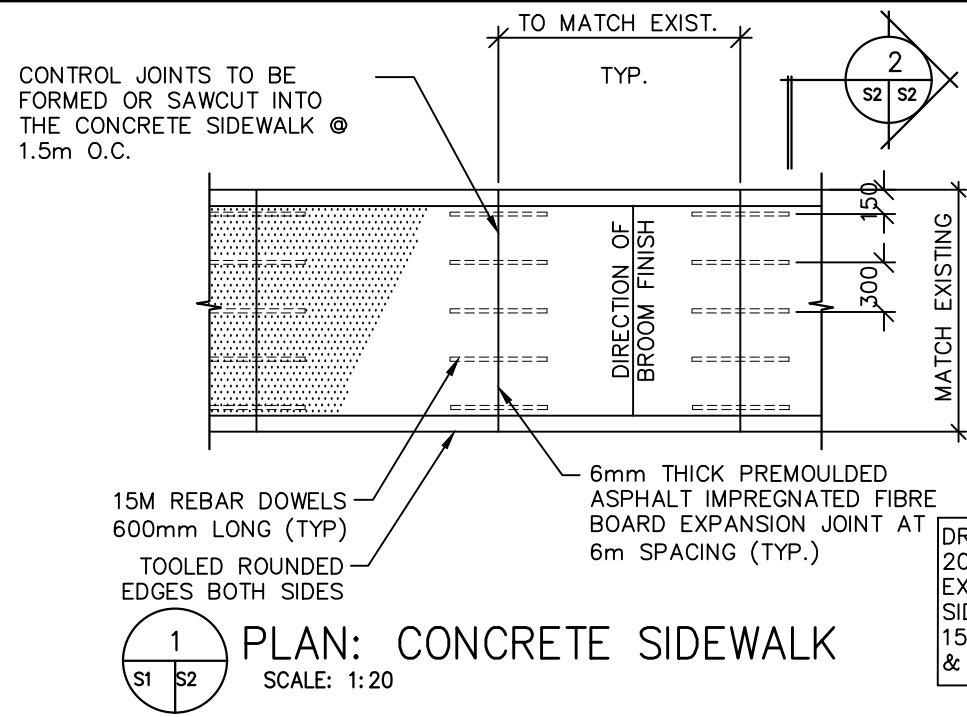
CLIENT  
Agriculture Canada  
440 Univ Ave  
Charlottetown

PROJECT TITLE  
Sidewalk  
Repairs

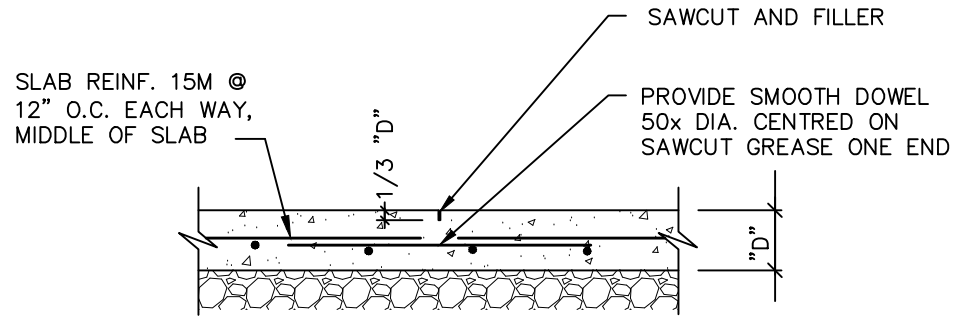
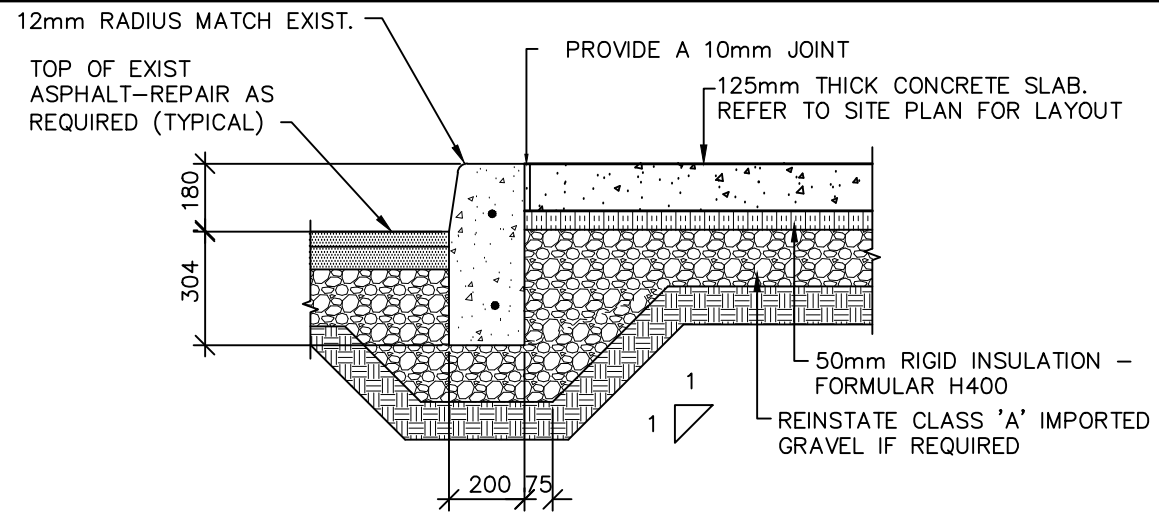
SHEET TITLE  
RAMP  
PLAN

REVISIONS:

DATE: 10 Oct 2017  
DRAWN BY: NL  
PROJECT NUMBER: 171134  
DRAWING NUMBER: S2

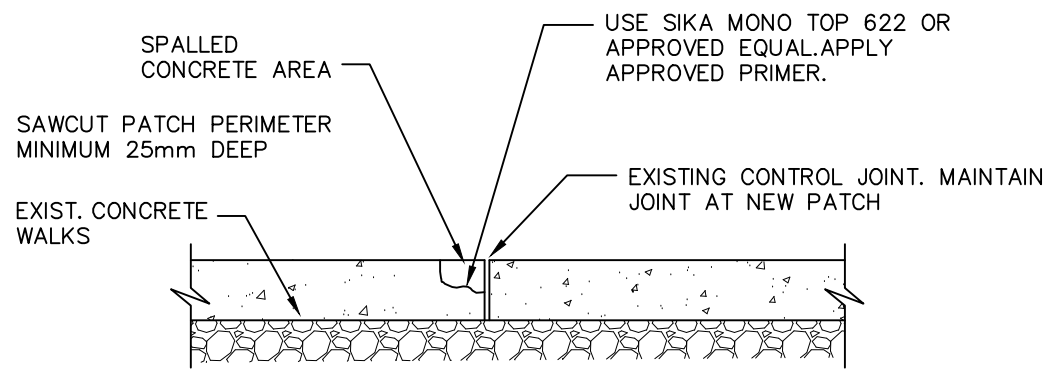


DRILL 20mm DIA HOLES, 200mm DEEP INTO FACE OF EXIST. WALKWAY AT NEW SIDEWALK, GROUT & PROVIDE 15mm DOWELS BETWEEN NEW & EXISTING CONCRETE PANELS.

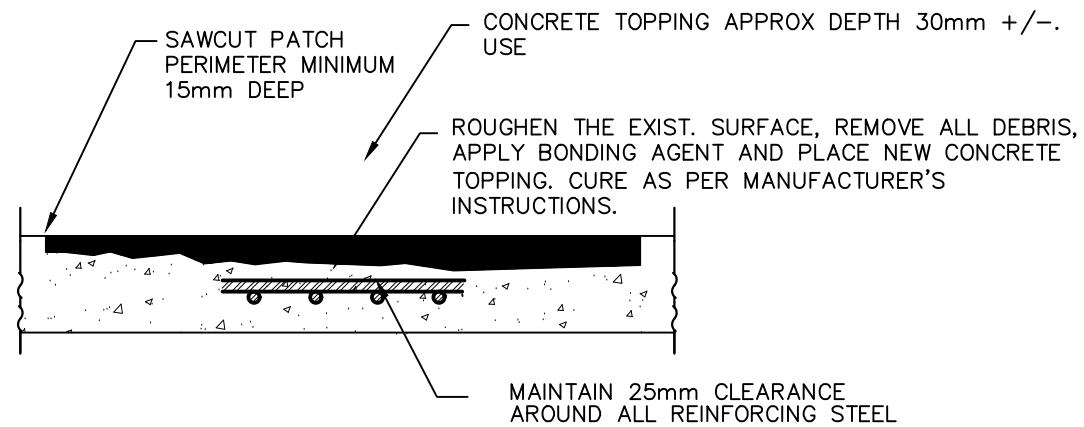


2 SECTION: CONTROL JOINT IN CONCRETE SLAB  
1:20

NOTE: AT EXPOSED REBAR, WIRE BRUSH & CLEAN EXISTING REINFORCING STEEL SURFACE



3 SPALL REPAIR  
N.T.S.



5 TOP SIDE REPAIR - INTERIOR SLAB-RAMP  
N.T.S.

www.colesassociates.com

DATE: 10 Oct 2017

DRAWN BY: NL

PROJECT NUMBER: 171134

DRAWING NUMBER: S3

REVISIONS:

Phone (902) 368-2300

DETAILS

PROJECT TITLE: Sidewalk Repairs

Charlottetown, P.E.I., Canada, C1A 7L3



CLIENT: Agriculture Canada  
440 Univ Ave  
Charlottetown

### GENERAL NOTES:

1. CONTRACTOR MUST VISIT THE SITE AND BE FAMILIAR WITH EXISTING CONDITIONS.
2. VERIFY ALL DIMENSIONS AND REPORT ANY DISCREPANCIES TO THE CONSULTANT BEFORE PROCEEDING WITH THE WORK.
3. ALL DIMENSIONS AND ELEVATIONS ARE IN METRIC UNITS U.N.O.
4. PRIOR TO COMMENCING WORK, THE CONTRACTOR SHALL VERIFY THE EXACT LOCATION AND ELEVATIONS OF ALL EXISTING UTILITIES AND SERVICES (SHOWN OR NOT SHOWN ON DRAWINGS) IN THE FIELD WITHIN THE CONTRACT LIMIT. INFORMATION SHOWN ON PLANS IS APPROXIMATE ONLY. PERFORM EXPLORATORY TEST PITS AS REQUIRED TO UNCOVER ANY POTENTIAL INTERFERENCES.
5. UNDERGROUND WATER, SEWER, TELEPHONE AND POWER SERVICES MAY EXIST BENEATH THE SITE. EXERCISE CAUTION IN EXCAVATION AND PROTECT FACILITIES FROM DAMAGE. CONTRACTOR TO REPAIR DAMAGES AT NO COST TO THE OWNER. WORK SHALL BE CARRIED OUT TO THE SATISFACTION OF THESE AUTHORITIES. CONTACT UTILITIES BEFORE EXCAVATING.
6. THE WORK SHALL BE IN ACCORDANCE WITH THE NATIONAL BUILDING CODE OF CANADA, LATEST EDITION AND APPLICABLE STANDARDS, UNLESS NOTED OTHERWISE ON THE DRAWINGS OR IN THE SPECIFICATIONS.
7. PERFORM WORK AND COMPLY WITH ALL FEDERAL, PROVINCIAL AND MUNICIPAL BY-LAWS AND REGULATIONS.
8. COMPLY WITH ALL ENVIRONMENTAL REGULATIONS & PROVIDE ALL NECESSARY ENVIRONMENTAL PROTECTION INCLUDING SILT FENCES, SEDIMENT TRAPS, DUST CONTROL, ETC.
9. THE CONTRACTOR WILL BE REQUIRED TO MAINTAIN PEDESTRIAN AND VEHICULAR TRAFFIC AT ALL TIMES. THE FACILITY WILL BE OPERATIONAL DURING THIS CONSTRUCTION. PROVIDE SIGNS, BARRICADES, FLAGGERS AS PER APPLICABLE REGULATIONS AND TO ENSURE SAFETY OF USERS.
10. REPAIR & REINSTATE DISTURBED ASPHALT PAVEMENT, GRASSED & LANDSCAPED AREAS, SIGNS, RETAINING WALLS, ETC., DAMAGED BY WORK OF CONTRACT INCLUDING ALL AREAS IMPACTED BEYOND LIMIT OF CONTRACT. TOPSOIL & SEED ALL GRASSED SURFACES OR AS INDICATED ON THE DRAWINGS.

### CONCRETE

1. ALL CONCRETE WORK SHALL BE CARRIED OUT IN ACCORDANCE WITH CSA-A23.1 AND NBCC.
2. ALL CONCRETE MATERIAL SHALL CONFORM TO:
  - a. CEMENT: CAN/CSA-A5-TYPE 10
  - a. AGGREGATES: CSA A23.1
  - b. AIR ENTRAINMENT: CSA CAN3-A266.1
  - c. CHEMICAL ADMIXTURES: CSA CAN3-266.2
  - d. DESIGN MIX: CSA A23.1
3. MIX DESIGN: TYPE 10 PORTLAND CEMENT.
4. INTERIOR SLABS:
  - a. COMPRESSIVE STRENGTH (28D): 25MPa (3600psi)
  - b. CLASS OF EXPOSURE: F-2
  - c. NOMINAL AGGREGATE SIZE: 20mm (3/4")
  - d. SLUMP: 80mm (3-1/4") ±20mm (3/4")
  - e. AIR CONTENT: 4-7%
  - f. WATER CEMENT RATIO: 0.5 MAX
6. EXTERIOR SLABS:
  - a. COMPRESSIVE STRENGTH (28D): 35MPa (5000psi)
  - b. CLASS OF EXPOSURE: C-2
  - c. NOMINAL AGGREGATE SIZE: 20mm (3/4")
  - d. SLUMP: 80mm (3-1/4") ±20mm (3/4")
  - e. AIR CONTENT: 5-8%
  - f. WATER CEMENT RATIO: 0.45 MAX
7. USE OF CALCIUM CHLORIDE IS NOT PERMITTED.
8. NO CONCRETE SHALL BE POURED WITHOUT THE PRIOR KNOWLEDGE AND APPROVAL OF CONSULTANT.
9. ALL CONCRETE SHALL BE TESTED, TESTING SHALL CONFORM TO CSA A23.2. RECORD TESTS FOR SLUMP, AIR CONTENT AND COMPRESSIVE STRENGTH.
10. APPLY CURING COMPOUND OR WET CURE SLAB IMMEDIATELY AFTER COMPLETION OF SLAB FINISHING. CONCRETE CURING AND PROTECTION SHALL CONFORM TO CSA A23.1.
11. COLD WEATHER CONCRETE SHALL BE PLACED AND PROTECTED IN ACCORDANCE WITH THE REQUIREMENTS OF CSA A23.1 AND TO THE REQUIREMENTS OF ACI-306R. PROVIDE HEATED ENCLOSURES AND/OR INSULATED TARPS AS REQUIRED TO MAINTAIN MINIMUM 10°C CONCRETE SURFACE TEMPERATURE FOR A PERIOD OF 5 DAYS FOLLOWING CONCRETE PLACEMENT. PROVIDE CONTROLLED COOL DOWN PERIOD TO PREVENT SURFACE CRACKING AT END OF PROTECTION PERIOD. ENSURE THAT NO CONCRETE IS PLACED ON OR AGAINST FROZEN SUBGRADE, FORMWORK, OR REINFORCING STEEL.
8. PROVIDE CONTROL JOINTS WITH JOINT FILLER. STANDARD OF ACCEPTANCE: MASTERFILL 300I, OR APPROVED EQUAL. INSTALL TO MANUFACTURERS INSTRUCTIONS.

### CONCRETE (CONTD)

8. PROVIDE CONTROL JOINTS WITH JOINT FILLER. STANDARD OF ACCEPTANCE: MASTERFILL 300I, OR APPROVED EQUAL. INSTALL TO MANUFACTURERS INSTRUCTIONS.
3. PROVIDE 12mm (1/2") PREMOULDED JOINT FILLER BETWEEN SIDEWALKS AND CURBS UNO.
5. CONCRETE SLABS TO HAVE A BROOM FINISH SIMILAR TO EXISTING CONCRETE SLABS/SIDEWALKS AND AS PER OWNER/CONSULTANTS REQUIREMENT.

### REINFORCING STEEL NOTES:

1. ALL REINFORCING STEEL SHALL BE NEW BILLET AND SHALL CONFORM TO CSA G30.18, WWM REINFORCING TO CSA G30.5. MINIMUM REINFORCING STEEL YIELD STRENGTH SHALL BE 400 MPa.
2. REINFORCING STEEL SHALL BE DETAILED, CUT, BENT, FABRICATED AND PLACED IN ACCORDANCE WITH REINFORCING MANUAL OF STANDARD PRACTICE (REINFORCING STEEL INSTITUTE OF CANADA); CAN3-A23.3 AND CSA-A23.1.
3. THE GENERAL CONTRACTOR SHALL INSPECT ALL THE REINFORCING STEEL BEFORE PLACEMENT OF THE CONCRETE.
4. THE GENERAL CONTRACTOR SHALL NOTIFY THE ENGINEER 24 HOURS PRIOR TO THE PLACEMENT OF THE CONCRETE.
5. THE POSITION OF ALL REINFORCING STEEL SHALL BE MAINTAINED DURING THE POURING OPERATION BY DIRECT SUPERVISION OF THE REINFORCING STEEL CONTRACTOR.
6. CONCRETE COVER (UNO):
  - a. POURED AGAINST THE GROUND - 75mm (3")
  - b. FORMED SURFACE AGAINST GROUND - 50mm (2")
  - c. FORMED SURFACE EXPOSED TO WEATHER - 50mm (2")
11. USE SPACERS, CHAIRS, TEMPLATES AND DIRECT SUPERVISION OF THE REINFORCING STEEL CONTRACTOR TO ACCURATELY LOCATE & SUPPORT REINFORCING STEEL & SECURE IN POSITION TO PREVENT DISPLACEMENT DURING CONCRETE PLACEMENT.



## Appendix "F"

### INSURANCE TERMS



## INSURANCE TERMS

### IN1 GENERAL

- IN1.1 Worker's Compensation
- IN1.2 Indemnification
- IN1.3 Proof of Insurance
- IN1.4 Insured
- IN1.5 Payment of Deductible

### IN2 COMMERCIAL GENERAL LIABILITY

- IN2.1 Scope of Policy
- IN2.2 Period of Insurance

### IN3 AUTOMOBILE INSURANCE

- IN3.1 Scope of Policy

### IN1 GENERAL

#### IN1.1 Worker's Compensation

- 1) The Contractor shall provide and maintain Worker's Compensation Insurance in accordance with the legal requirements of the Province or Territory where the work is being carried out.

#### IN1.2 Indemnification

- 1) The insurance required by the provisions of these Insurance Terms shall in no way limit the Contractor's responsibility under the Indemnification clause of the General Conditions of the contract. Any additional coverage the Contractor may deem necessary to fulfill his obligations under the aforesaid clause shall be at his own discretion and expense.

#### IN1.3 Proof of Insurance

- 1) Before commencement of the Work, and within thirty (30) days after acceptance of its bid, the Contractor shall deposit with Canada a CERTIFICATE OF INSURANCE (form AAFC / AAC5314) available upon request.
- 2) In the event that the Contractor already possesses an insurance certificate clearly demonstrating that their insurance coverage meets IN2.1 Scope of Policy provisions, then the Contractor may deposit an original copy of this insurance certificate.
- 3) Upon request by Canada, the Contractor shall provide originals or certified true copies of all contracts of insurance maintained by the Contractor pursuant to the provisions contained herein.

#### IN1.4 Insured

- 1) Each policy shall insure the Contractor and shall include Her Majesty the Queen in right of Canada, represented by the Minister of Agriculture & Agri-Food Canada as an additional Insured, with respect to liability arising out of the operations of the contractor with regard to the work.

#### IN1.5 Payment of Deductible

- 1) The payment of monies up to the deductible amount made in satisfaction of a claim shall be borne by the Contractor.



## **INSURANCE TERMS (Continued)**

### **IN2 COMMERCIAL GENERAL LIABILITY**

#### **IN2.1 Scope of Policy**

- 1) The insurance coverage provided shall not be less than that provided by IBC Form 2100, as amended from time to time, and shall have:
  - (a) an Each Occurrence Limit of not less than \$1,000,000.00 ;
  - (b) a Products/Completed Operations Aggregate Limit of not less than \$1,000,000.00 ; and
  - (c) a General Aggregate Limit of not less than \$2,000,000.00 per policy year, if the policy is subject to such a limit.
- 2) The policy shall either include or be endorsed to include coverage for the following exposures or hazards if the Work is subject thereto:
  - (a) Blasting.
  - (b) Pile driving and caisson work.
  - (c) Underpinning.
  - (d) Removal or weakening of support of any building or land whether such support be natural or otherwise if the work is performed by the insured contractor.
  - (e) Asbestos.
  - (f) Non-owed Automobile Policy.

#### **IN2.2 Period of Insurance**

- 1) Unless otherwise directed in writing by Canada, or, otherwise stipulated elsewhere herein, the policy required herein shall be in force and be maintained from the date of contract award until the day of issue of the Certificate of Completion except that the coverage for Completed Operations Liability shall, in any event, be maintained for a period of at least six (6) years beyond the date of the CERTIFICATE OF COMPLETION.

### **IN3 AUTOMOBILE INSURANCE**

#### **IN3.1 Scope of Policy**

- 1) Automobile Liability Insurance in respect of licensed vehicles shall have limits of not less than one million dollars inclusive per occurrence for bodily injury, death, and damage to property.



## Appendix "G"

### FORM A - SUBCONTRACTING



**FORM A –SUBCONTRACTING / SOUS-TRAITANCE**

If there is to be no subcontracting, proposer must confirm it on this form and sign.

Si aucun sous-traitant ne sera utilisé, l'offrant doit le confirmer sur ce formulaire et le signer.

**Contractor’s list of subcontractors**

It is my/our intention to employ the following subcontractors whom I/we believe, following investigation, to be reliable and competent for the performance of the portion of services being subcontracted. All other services will be performed by me/us.

**Liste des sous-traitants de L’entrepreneur**

J'ai (nous avons) l'intention de faire appel aux sous-traitants suivants qui, je crois (nous croyons), après avoir effectué une enquête, sont dignes de confiance et compétents pour l'exécution des travaux sous-traités. Je (nous) assurerai tous les autres services.

Nom de l'entreprise / Name of company	Services donnés en sous-traitance/ Services to be subcontracted	Nombre d'années en association avec ce sous-traitant/Number of years that you are associated with that subcontractor	Nombre d'années d'expérience du sous-traitant dans ce domaine/Years of experience of subcontractor in the field	Portion du contrat (%) / Portion of the contract (%)

Je m'engage (nous nous engageons) à ne pas confier d'autres services en sous-traitance à des personnes ou à des sociétés, à moins d'obtenir l'autorisation écrite du ministre de l'Agriculture

It is agreed that I (we) shall not subcontract with any other individual or organization or for any other work, without the consent of the Minister of Agriculture

\_\_\_\_\_  
Name

\_\_\_\_\_  
Position

\_\_\_\_\_  
Signature

\_\_\_\_\_  
Date