



SMALL CRAFT HARBOURS

POWELL RIVER SOUTH FLOAT & WHARF RECONSTRUCTION

DRAWING LIST					
DRAWING NO.	DRAWING TITLE	REVISION			
		A	B	C	D
56138-000	DRAWING LIST				
56138-001	SITE PLAN				
56138-002	NORTH FLOATS REPAIR PLAN				
56138-003	SOUTH FLOATS REPAIR PLAN				
56138-004	FLOAT 801-806 ELEVATIONS AND CROSS SECTIONS				
56138-005	FLOAT 807-809 ELEVATIONS AND CROSS SECTIONS				
56138-006	WHARF AND APPROACH REPAIR PLAN				
56138-007	TIMBER WHARF TYPICAL CROSS SECTION				
56138-008	HANDRAIL AND PILE WELL DETAILS				

DO NOT SCALE DRAWINGS

Revision/Revision	Description/Description	Date/Date
-------------------	-------------------------	-----------

Client/client

**Fisheries & Oceans Canada
Small Craft Harbours Branch
Pacific Division**

200 - 401 Burrard Street
Vancouver, Canada, V6C 3S4

Project title/Titre du projet

**POWELL RIVER SOUTH
FLOAT & WHARF
RECONSTRUCTION**

Approved by/Approuvé par

Designed by/Concept par

Drawn by/Dessiné par
DJ

PWGSC Project Manager/Administrateur de Projets TPSGC

PWGSC, Architectural and Engineering Resources Manager/
Ressources Architectural et de Directeur d'Ingénierie, TPSGC

Client/client
SMALL CRAFT HARBOURS

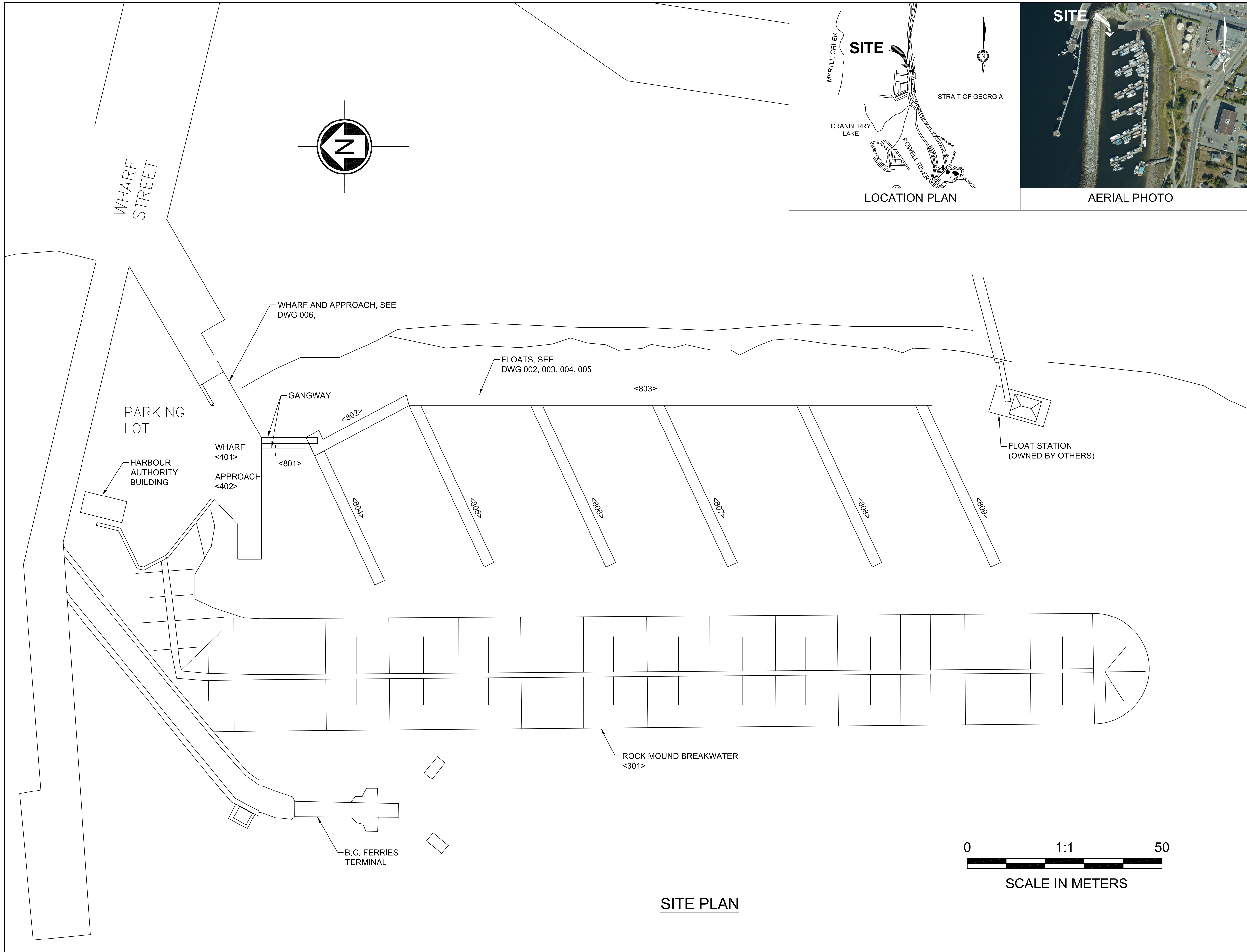
Drawing title/Titre du dessin

DRAWING LIST

Project No./No. du projet	Sheet/Feuille	Revision no./ La Révision no.
---------------------------	---------------	----------------------------------

56138	000 OF	
--------------	------------------	--





SITE PLAN

DO NOT SCALE DRAWINGS

Revision/Revision	Description/Description	Date/Date

Client/client

Fisheries & Oceans Canada
Small Craft Harbours Branch
Pacific Division

200 - 401 Burrard Street
Vancouver, Canada, V6C 3S4

Project title/Titre du projet

POWELL RIVER SOUTH
FLOAT & WHARF
RECONSTRUCTION

Approved by/Approuvé par

Designed by/Concept par

Drawn by/Dessiné par
DJ

PWGSC Project Manager/Administrateur de Projets TPSGC

PWGSC, Architectural and Engineering Resources Manager/
Ressources Architectural et de Directeur d'Ingénierie, TPSGC

Client/client
SMALL CRAFT HARBOURS

Drawing title/Titre du dessin

SITE PLAN

Project No./No. du projet Sheet/Feuille Revision no./La Révision no.

56138

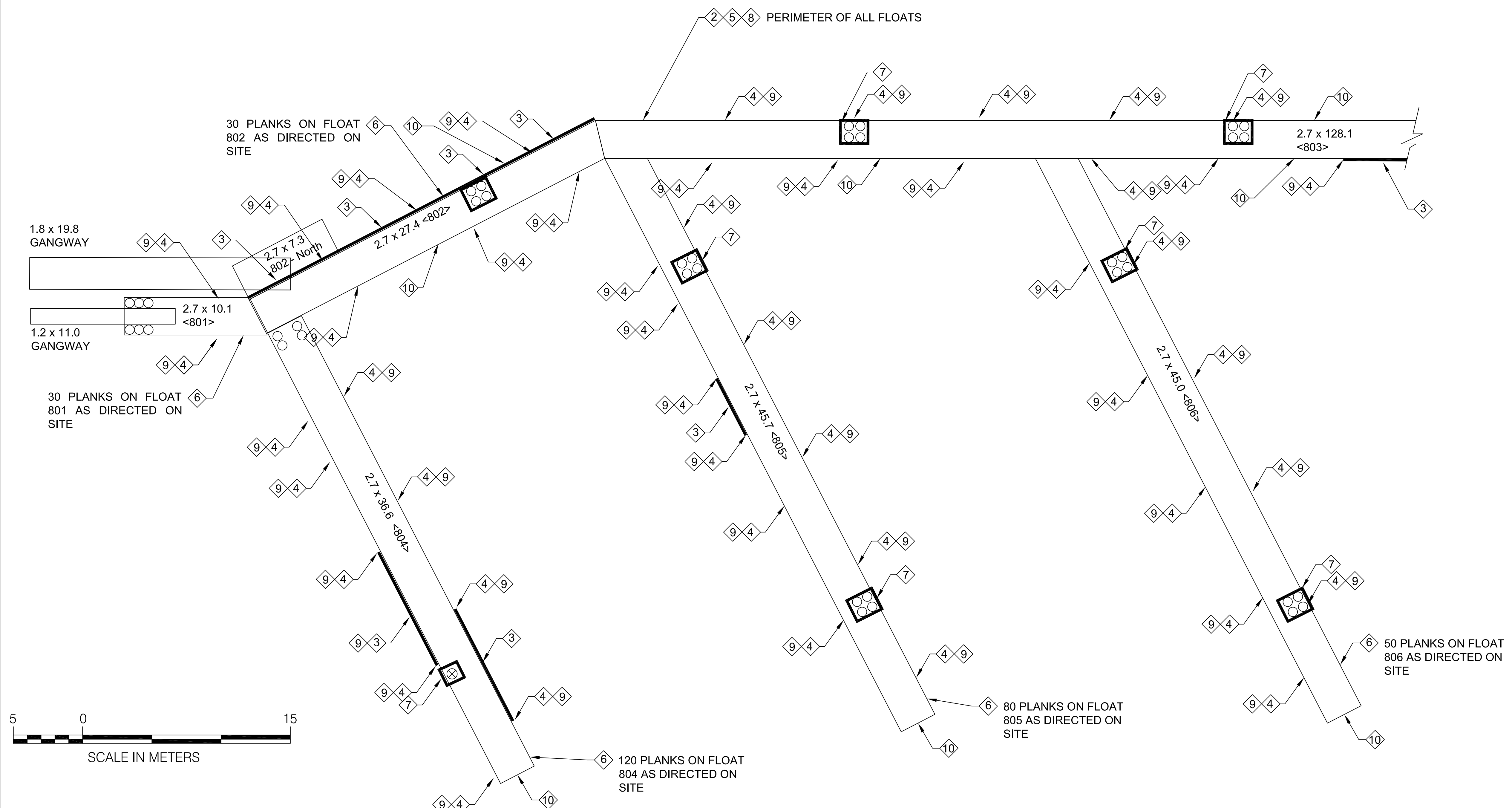
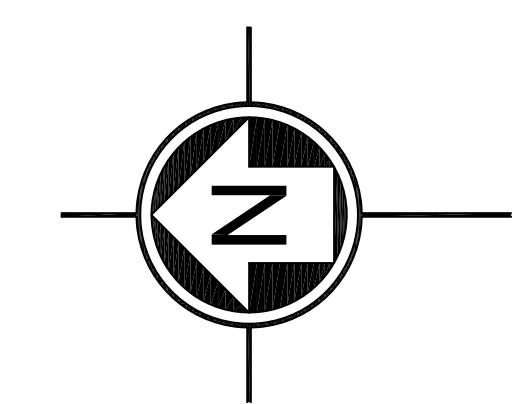
001
OF



LEGEND

- 2 TIMBER BULLRAIL W/ RISERS REPLACEMENT TO BE COMPLETED ON PERIMETER OF ALL FLOATS
- 3 TIMBER FLANGE REPLACEMENT
- 4 TIMBER FLANGE BLOCKING REPLACEMENT (PER LOCATION)
- 5 TIMBER RUB BOARD REPLACEMENT TO BE COMPLETED ON PERIMETER OF ALL FLOATS
- 6 TIMBER DECKING REPLACEMENT (PER 8' PLANK)
- 7 TIMBER PILE WELL REPLACEMENT C/W UHMW (PER PILE WELL). SEE DETAIL D, SHEET 008
- 8 HARDWARE FLANGE REPLACEMENT TO BE COMPLETED ON PERIMETER OF ALL FLOATS
- 9 HARDWARE STRINGER SPLICE REPLACEMENT (PER LOCATION)
- 10 FLOAT LADDER INSTALLATION
- 11 FLOTATION REPLACEMENT - AS DIRECTED ON SITE BY DEPARTMENTAL REPRESENTATIVE

DRAWING NOTES:
DIMENSIONS IN METERS UNLESS OTHERWISE NOTED



NORTH FLOATS REPAIR PLAN

DO NOT SCALE DRAWINGS

Revision/Revision	Description/Description	Date/Date

Client/client
**Fisheries & Oceans Canada
Small Craft Harbours Branch
Pacific Division**
200 - 401 Burrard Street
Vancouver, Canada, V6C 3S4

Project title/Titre du projet
**POWELL RIVER SOUTH
FLOAT & WHARF
RECONSTRUCTION**

Approved by/Approuvé par

Designed by/Concept par

Drawn by/Dessiné par
DJ

PWGSC Project Manager/Administrateur de Projets TPSGC

PWGSC, Architectural and Engineering Resources Manager/
Ressources Architectural et de Directeur d'Ingénierie, TPSGC

Client/client
SMALL CRAFT HARBOURS

Drawing title/Titre du dessin
**NORTH FLOATS
REPAIR PLAN**

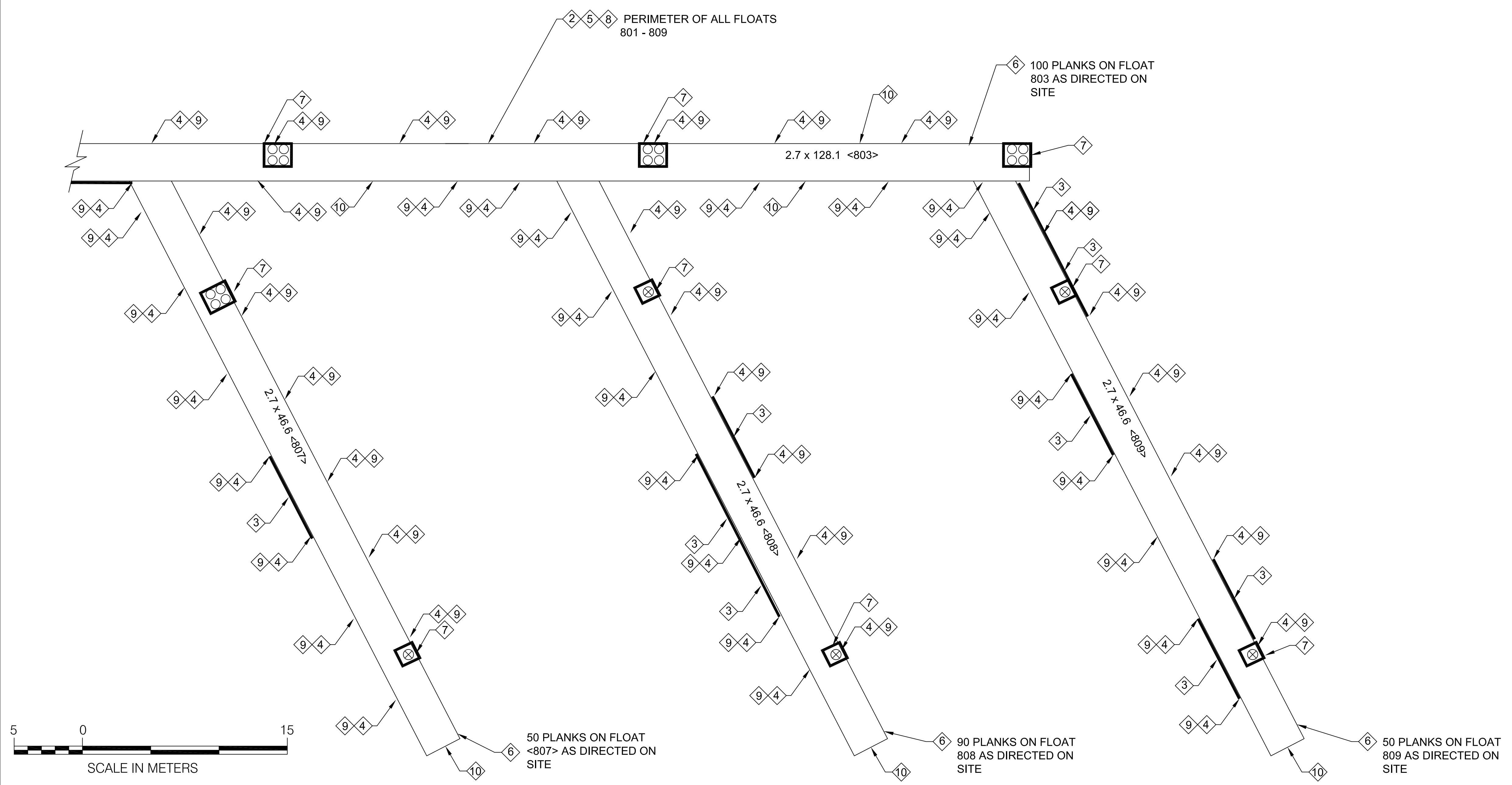
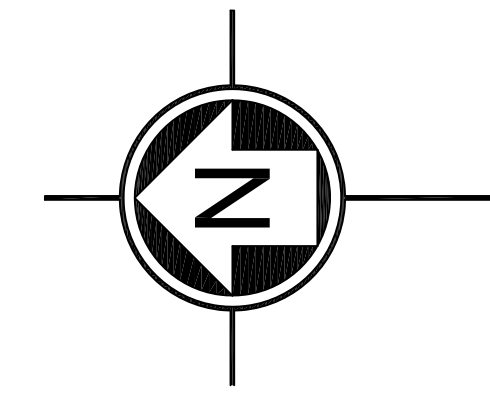
Project No./No. du projet 56138	Sheet/Feuille 002 OF	Revision no./ La Révision no.
---	-----------------------------------	----------------------------------



LEGEND

- 2 TIMBER BULLRAIL W/ RISERS REPLACEMENT TO BE COMPLETED ON PERIMETER OF ALL FLOATS
- 3 TIMBER FLANGE REPLACEMENT
- 4 TIMBER FLANGE BLOCKING REPLACEMENT (PER LOCATION)
- 5 TIMBER RUB BOARD REPLACEMENT TO BE COMPLETED ON PERIMETER OF ALL FLOATS
- 6 TIMBER DECKING REPLACEMENT (PER 8' PLANK)
- 7 TIMBER PILE WELL REPLACEMENT C/W UHMW (PER PILE WELL). SEE DETAIL D, SHEET 008
- 8 HARDWARE FLANGE REPLACEMENT TO BE COMPLETED ON PERIMETER OF ALL FLOATS
- 9 HARDWARE STRINGER SPLICE REPLACEMENT (PER LOCATION)
- 10 FLOAT LADDER INSTALLATION
- 11 FLOTATION REPLACEMENT - AS DIRECTED ON SITE BY DEPARTMENTAL REPRESENTATIVE

DRAWING NOTES:
DIMENSIONS IN METERS UNLESS OTHERWISE NOTED



SOUTH FLOATS REPAIR PLAN

DO NOT SCALE DRAWINGS

Revision/Revision	Description/Description	Date/Date

Client/client
**Fisheries & Oceans Canada
Small Craft Harbours Branch
Pacific Division**
200 - 401 Burrard Street
Vancouver, Canada, V6C 3S4

Project title/Titre du projet
**POWELL RIVER SOUTH
FLOAT & WHARF
RECONSTRUCTION**

Approved by/Approuvé par

Designed by/Concept par

Drawn by/Dessiné par
DJ

PWGSC Project Manager/Administrateur de Projets TPSGC

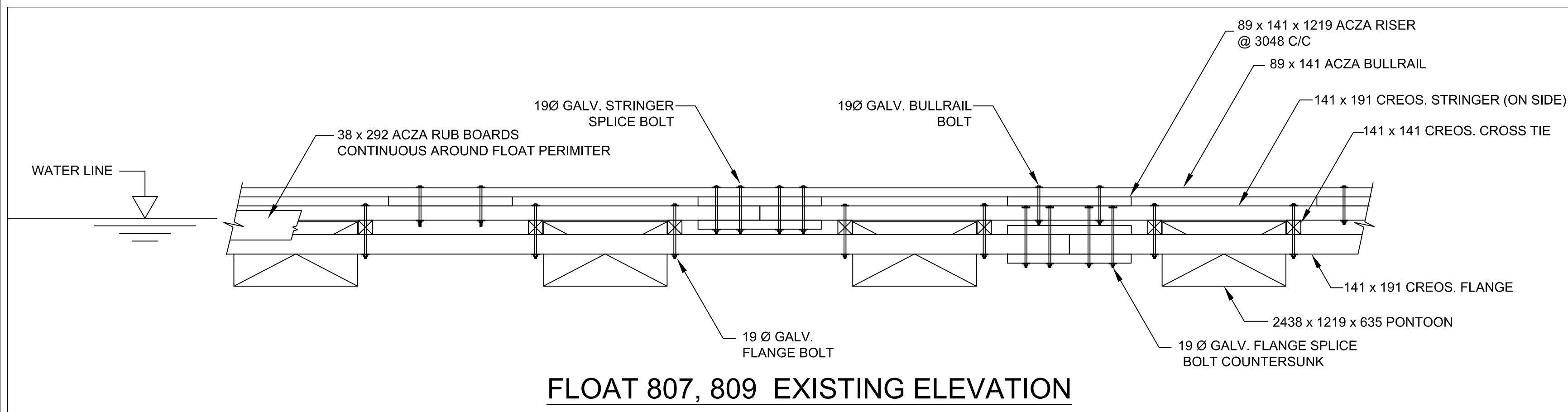
PWGSC, Architectural and Engineering Resources Manager/Ressources Architectural et de Directeur d'Ingénierie, TPSGC

Client/client
SMALL CRAFT HARBOURS

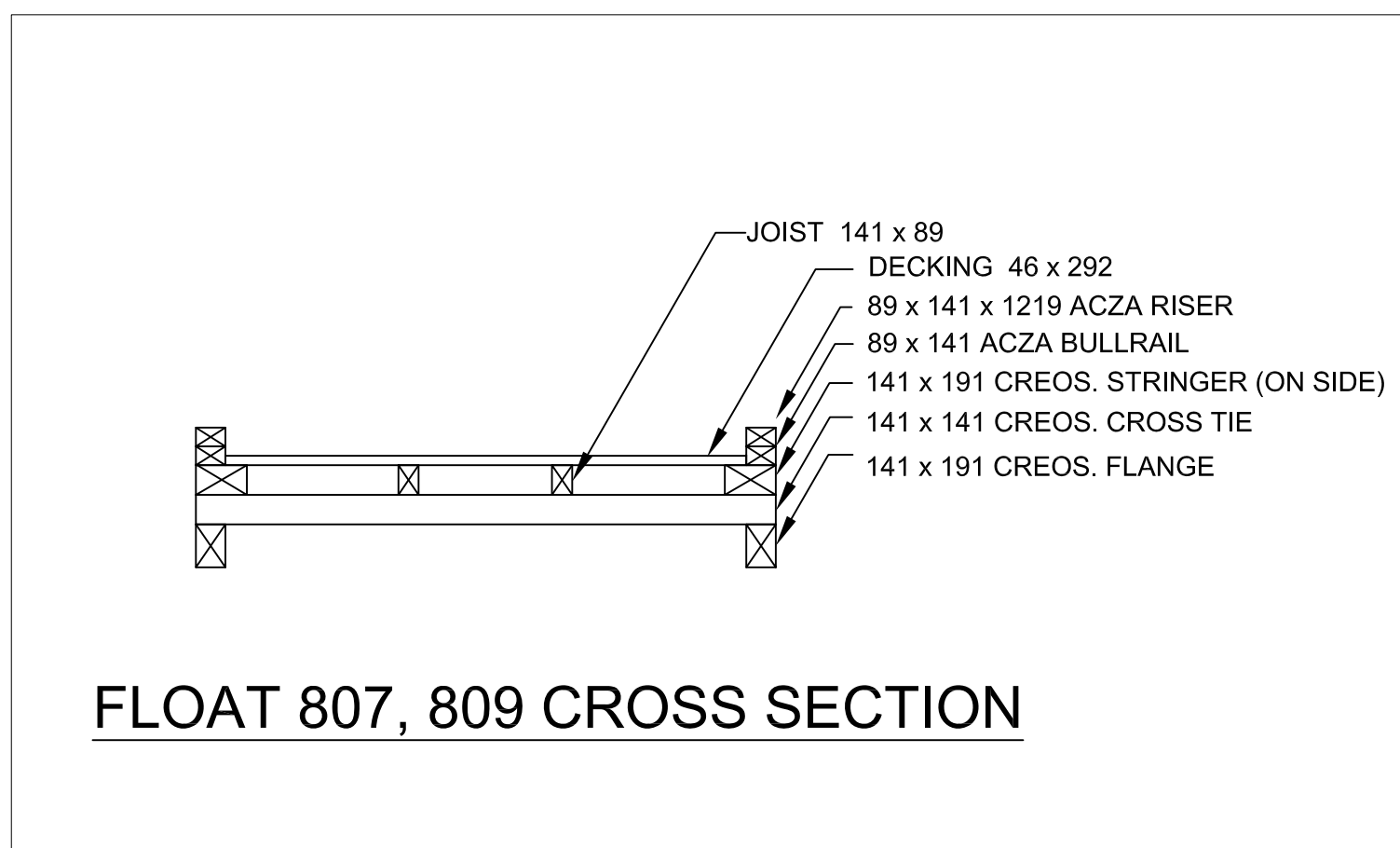
Drawing title/Titre du dessin
**SOUTH FLOATS
REPAIR PLAN**

Project No./No. du projet 56138	Sheet/Feuille 003 OF	Revision no./La Révision no.
---	-----------------------------------	------------------------------

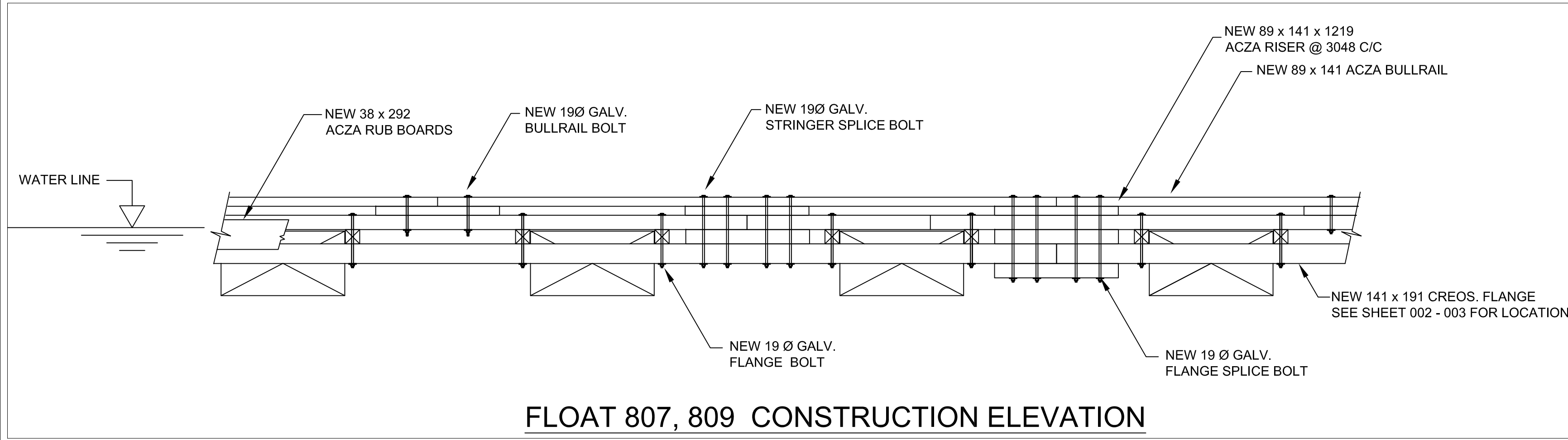




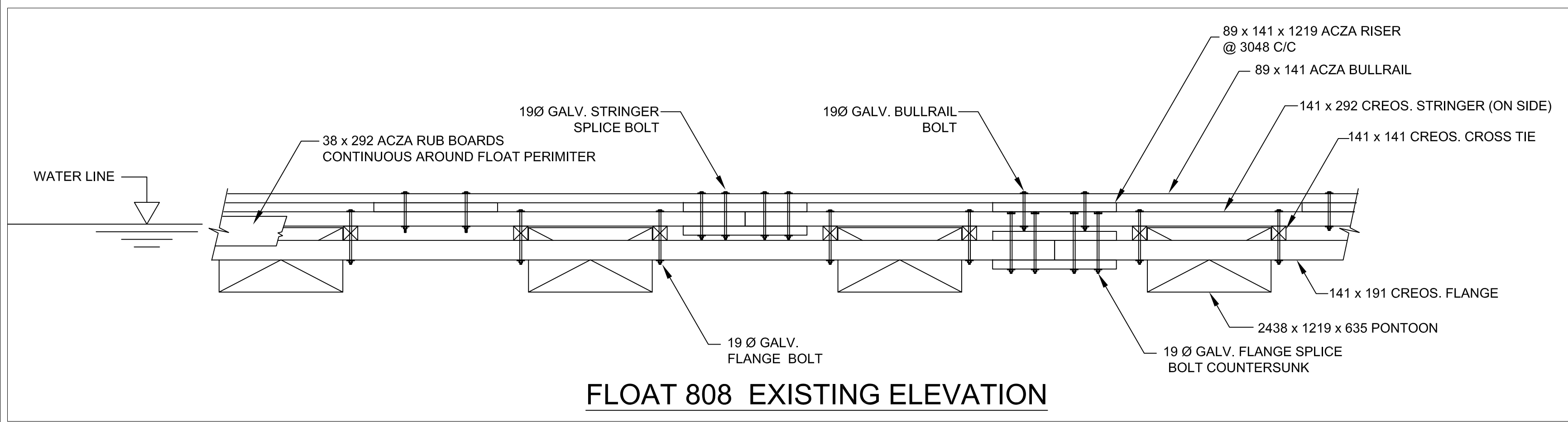
FLOAT 807, 809 EXISTING ELEVATION



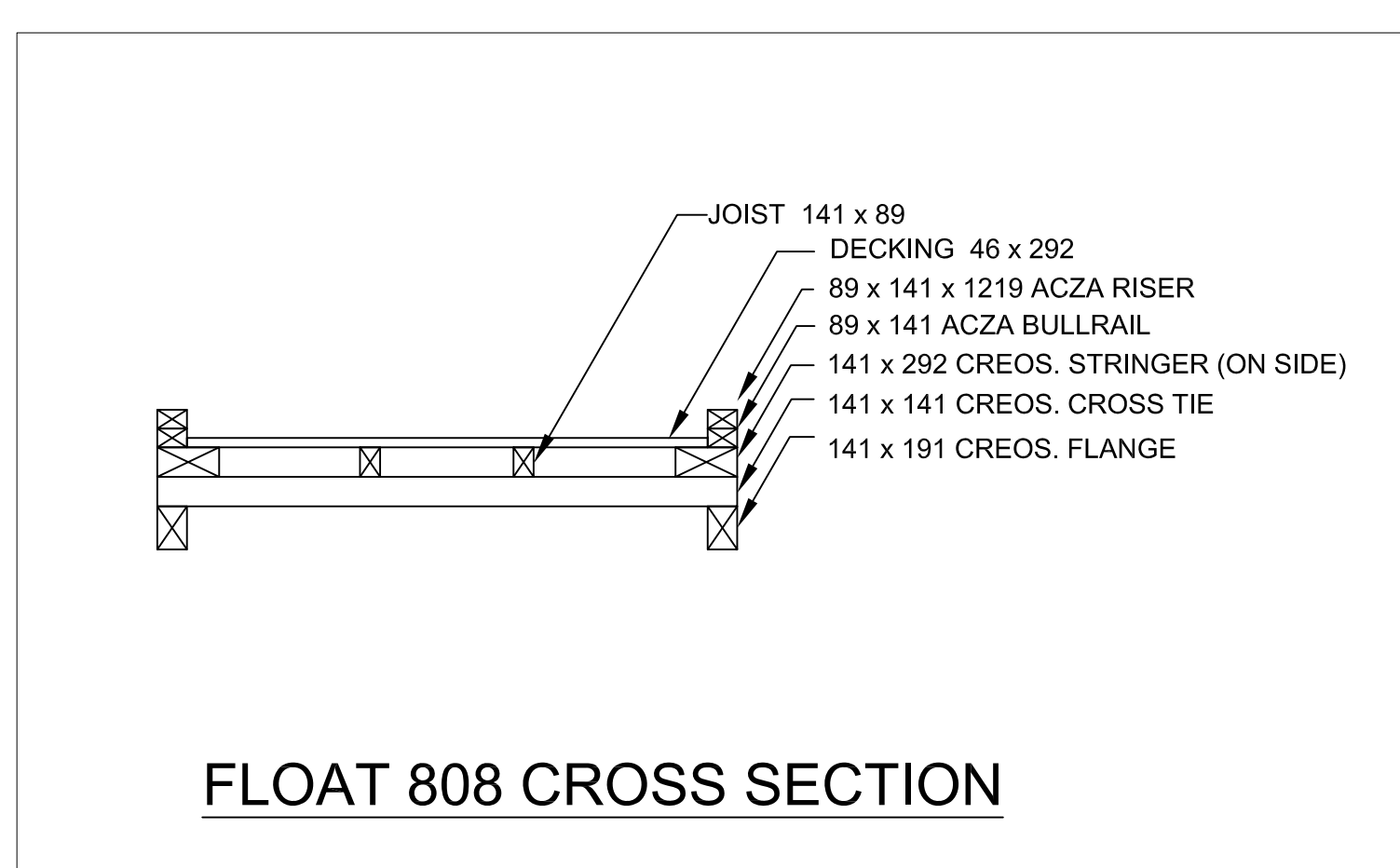
FLOAT 807, 809 CROSS SECTION



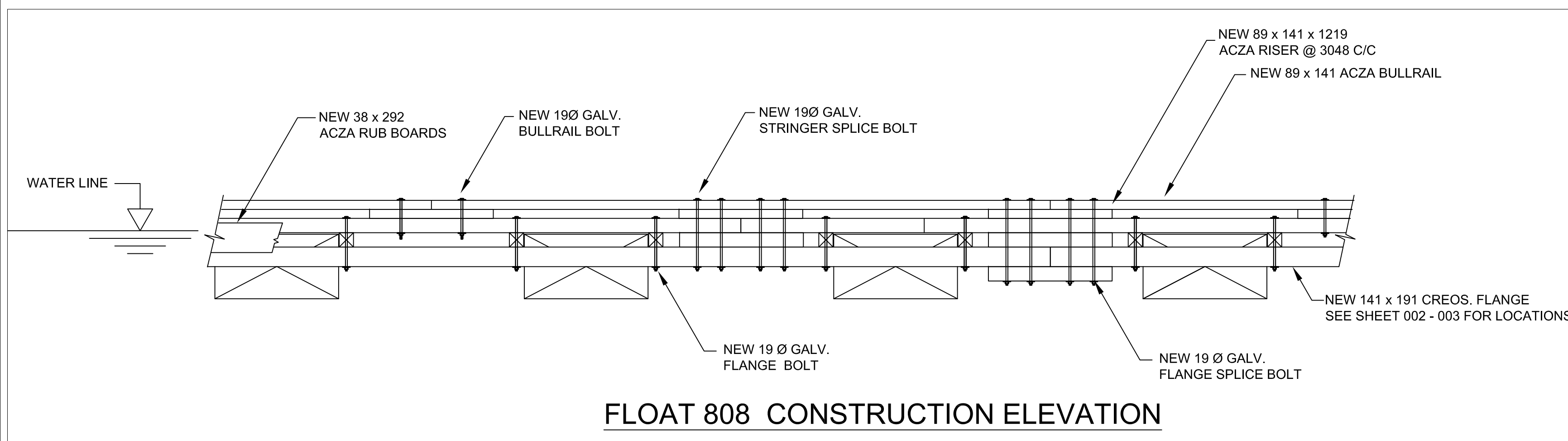
FLOAT 807, 809 CONSTRUCTION ELEVATION



FLOAT 808 EXISTING ELEVATION



FLOAT 808 CROSS SECTION



FLOAT 808 CONSTRUCTION ELEVATION

DRAWING NOTES:
DIMENSIONS IN MILLIMETERS UNLESS OTHERWISE NOTED

DO NOT SCALE DRAWINGS

Revision/Revision	Description/Description	Date/Date

**Fisheries & Oceans Canada
Small Craft Harbours Branch
Pacific Division**

200 - 401 Burrard Street
Vancouver, Canada, V6C 3S4

Project title/Titre du projet

**POWELL RIVER SOUTH
FLOAT & WHARF
RECONSTRUCTION**

Approved by/Approuvé par

Designed by/Concept par

Drawn by/Dessiné par
DJ

PWGSC Project Manager/Administrateur de Projets TPSGC

PWGSC, Architectural and Engineering Resources Manager/
Ressources Architectural et de Directeur d'Ingénierie, TPSGC

Client/client
SMALL CRAFT HARBOURS

Drawing title/Titre du dessin

**FLOAT 807-809
ELEVATIONS AND CROSS SECTIONS**

Project No./No. du projet	Sheet/Feuille	Revision no./La Révision no.
56138	005 OF	



DO NOT SCALE DRAWINGS

Revision/Revision	Description/Description	Date/Date

Client/client

**Fisheries & Oceans Canada
Small Craft Harbours Branch
Pacific Division**

200 - 401 Burrard Street
Vancouver, Canada, V6C 3S4

Project title/Titre du projet

**POWELL RIVER SOUTH
FLOAT & WHARF
RECONSTRUCTION**

Approved by/Approuvé par

Designed by/Concept par

Drawn by/Dessiné par
DJ

PWGSC Project Manager/Administrateur de Projets TPSGC

PWGSC, Architectural and Engineering Resources Manager/
Ressources Architectural et de Directeur d'Ingénierie, TPSGC

Client/client

SMALL CRAFT HARBOURS

Drawing title/Titre du dessin

**WHARF AND APPROACH
REPAIR PLAN**

Project No./No. du projet

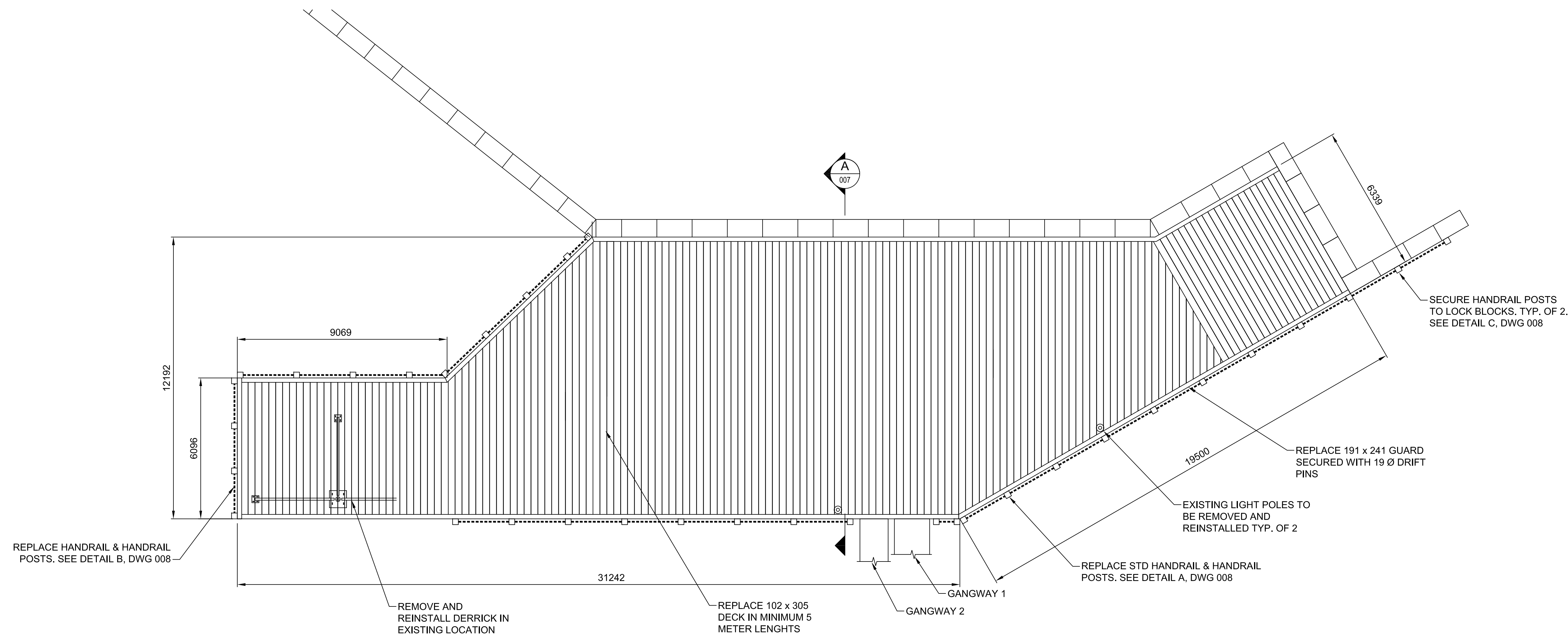
56138

Sheet/Feuille

006

OF

Revision no./
La Révision no.



WHARF REPAIR PLAN

LEGEND

- HANDRAIL
- HANDRAIL POST
- LOCK BLOCK

DRAWING NOTES:
DIMENSIONS IN MILLIMETERS UNLESS OTHERWISE NOTED



DO NOT SCALE DRAWINGS

Revision/Revision	Description/Description	Date/Date

Client/client

**Fisheries & Oceans Canada
Small Craft Harbours Branch
Pacific Division**

200 - 401 Burrard Street
Vancouver, Canada, V6C 3S4

Project title/Titre du projet

**POWELL RIVER SOUTH
FLOAT & WHARF
RECONSTRUCTION**

Approved by/Approuvé par

Designed by/Concept par

Drawn by/Dessiné par

DJ

PWSC Project Manager/Administrateur de Projets TPSGC

PWSC, Architectural and Engineering Resources Manager/
Ressources Architectural et de Directeur d'Ingénierie, TPSGC

Client/client

SMALL CRAFT HARBOURS

Drawing title/Titre du dessin

**TIMBER WHARF
TYPICAL CROSS SECTION**

Project No./No. du projet

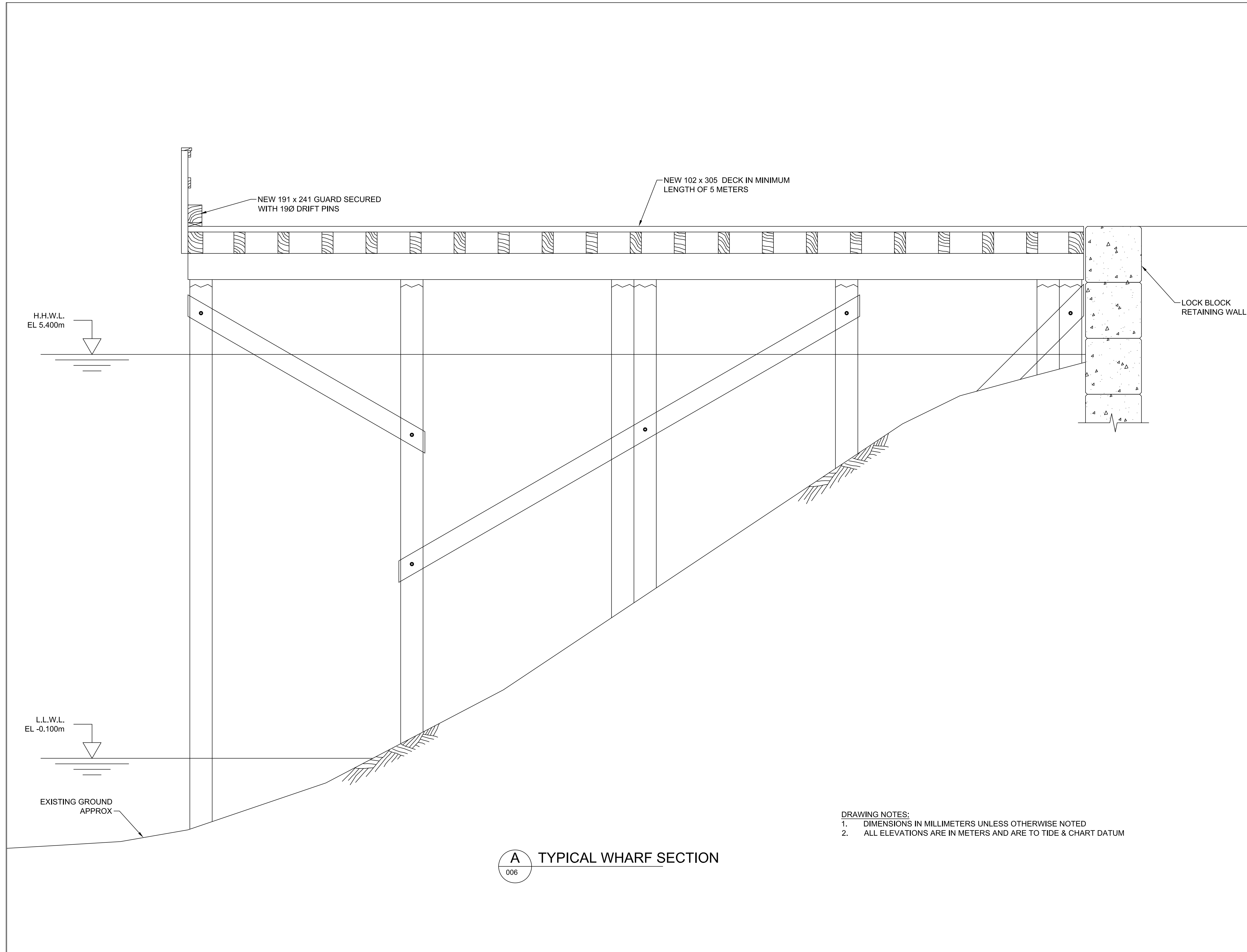
56138

Sheet/Feuille

007

OF

Revision no./
La Révision no.



- DRAWING NOTES:**
1. DIMENSIONS IN MILLIMETERS UNLESS OTHERWISE NOTED
 2. ALL ELEVATIONS ARE IN METERS AND ARE TO TIDE & CHART DATUM

A TYPICAL WHARF SECTION
006



DO NOT SCALE DRAWINGS

Revision/Revision	Description/Description	Date/Date
Client/client		

**Fisheries & Oceans Canada
Small Craft Harbours Branch
Pacific Division**

200 - 401 Burrard Street
Vancouver, Canada, V6C 3S4

Project title/Titre du projet

**POWELL RIVER SOUTH
FLOAT & WHARF
RECONSTRUCTION**

Approved by/Approve par

Designed by/Concept par

Drawn by/Dessine par
DJ

PWGSC Project Manager/Administrateur de Projets TPSGC

PWGSC, Architectural and Engineering Resources Manager/
Ressources Architectural et de Directeur d'Ingénierie, TPSGC

Client/client
SMALL CRAFT HARBOURS

Drawing title/Titre du dessin
**HANDRAIL & PILE WELL
DETAILS**

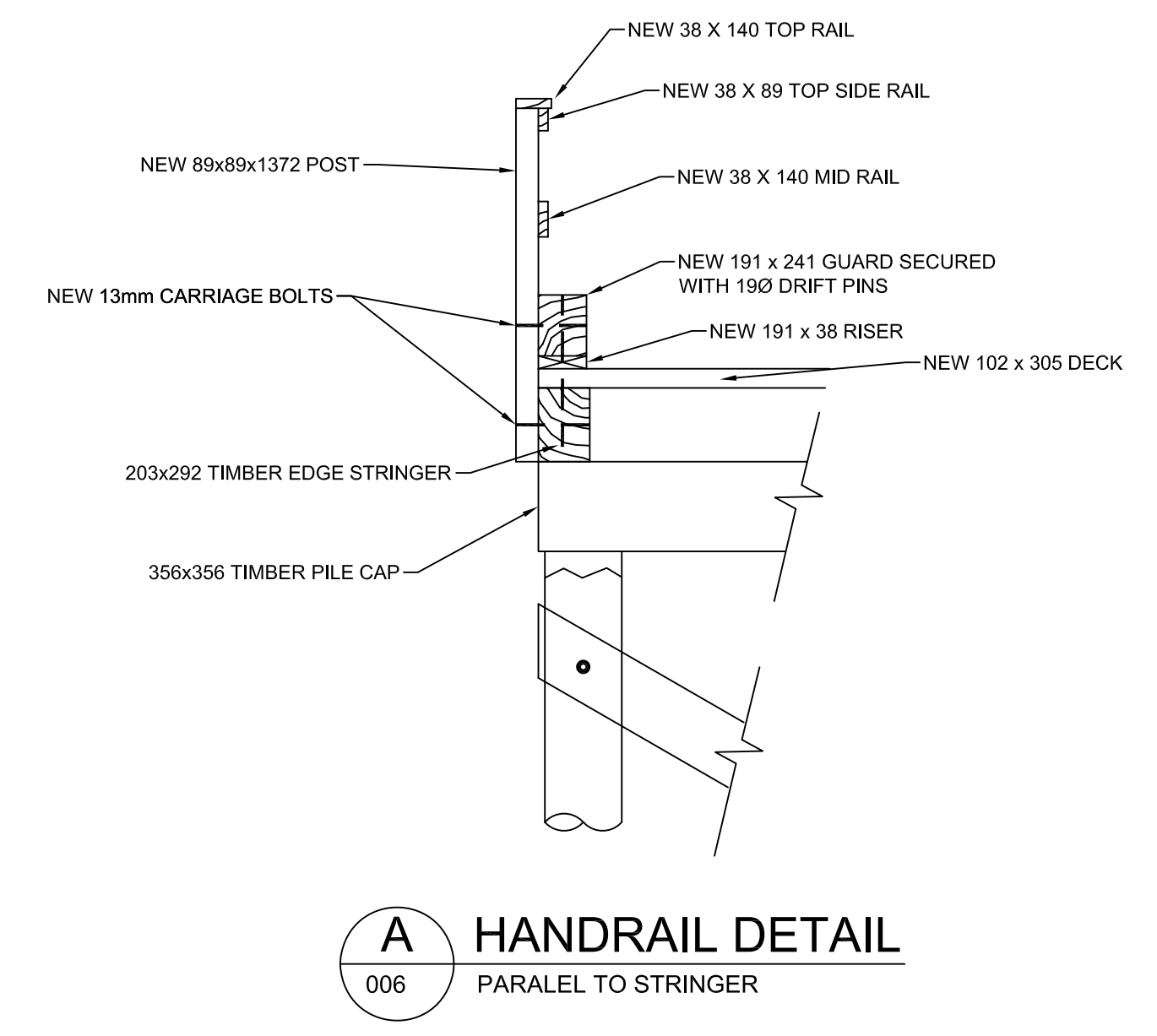
Project No./No. du projet

56138

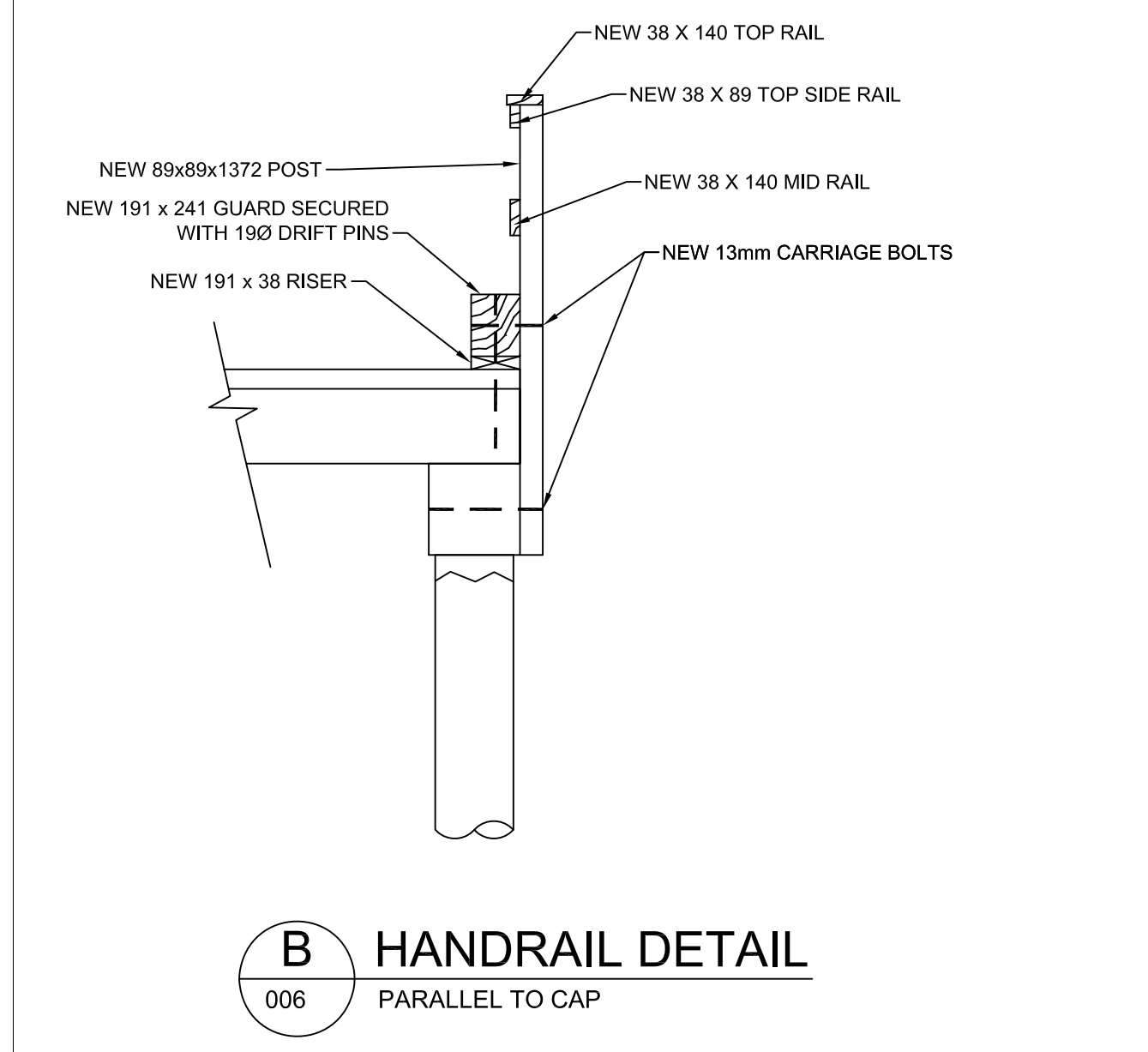
Sheet/Feuille

008
OF

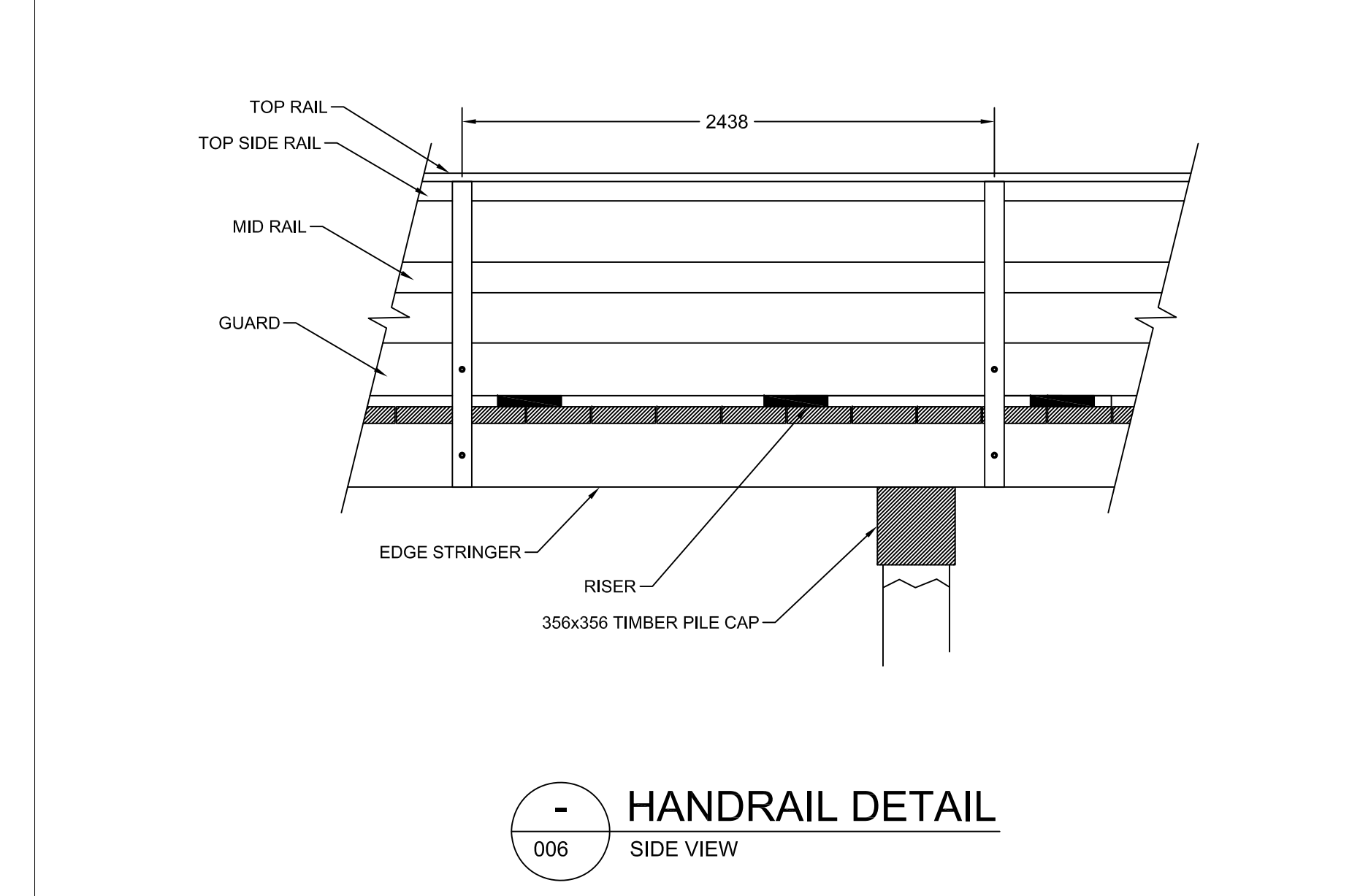
Revision no./
La Révision no.



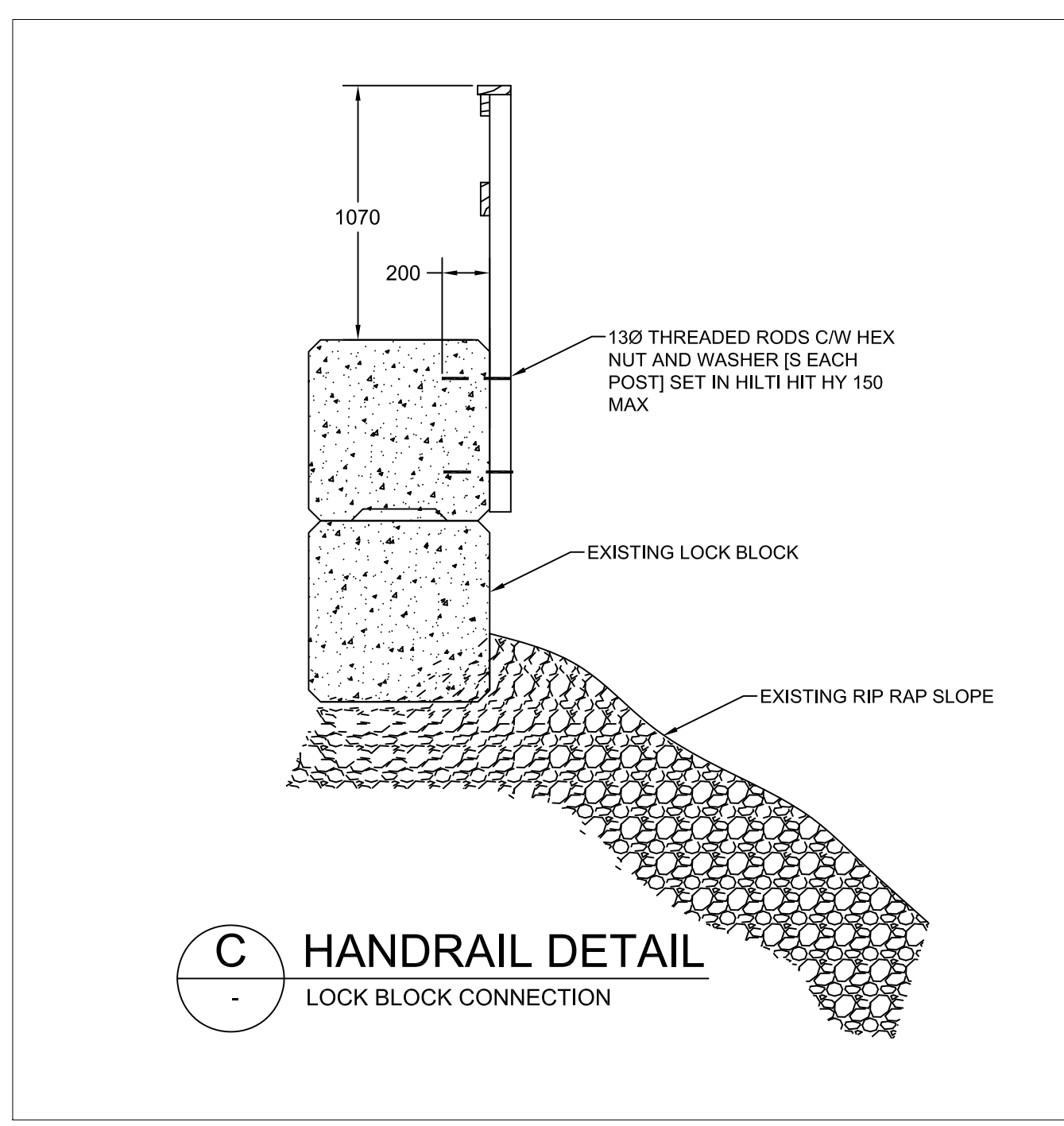
A HANDRAIL DETAIL
006 PARALEL TO STRINGER



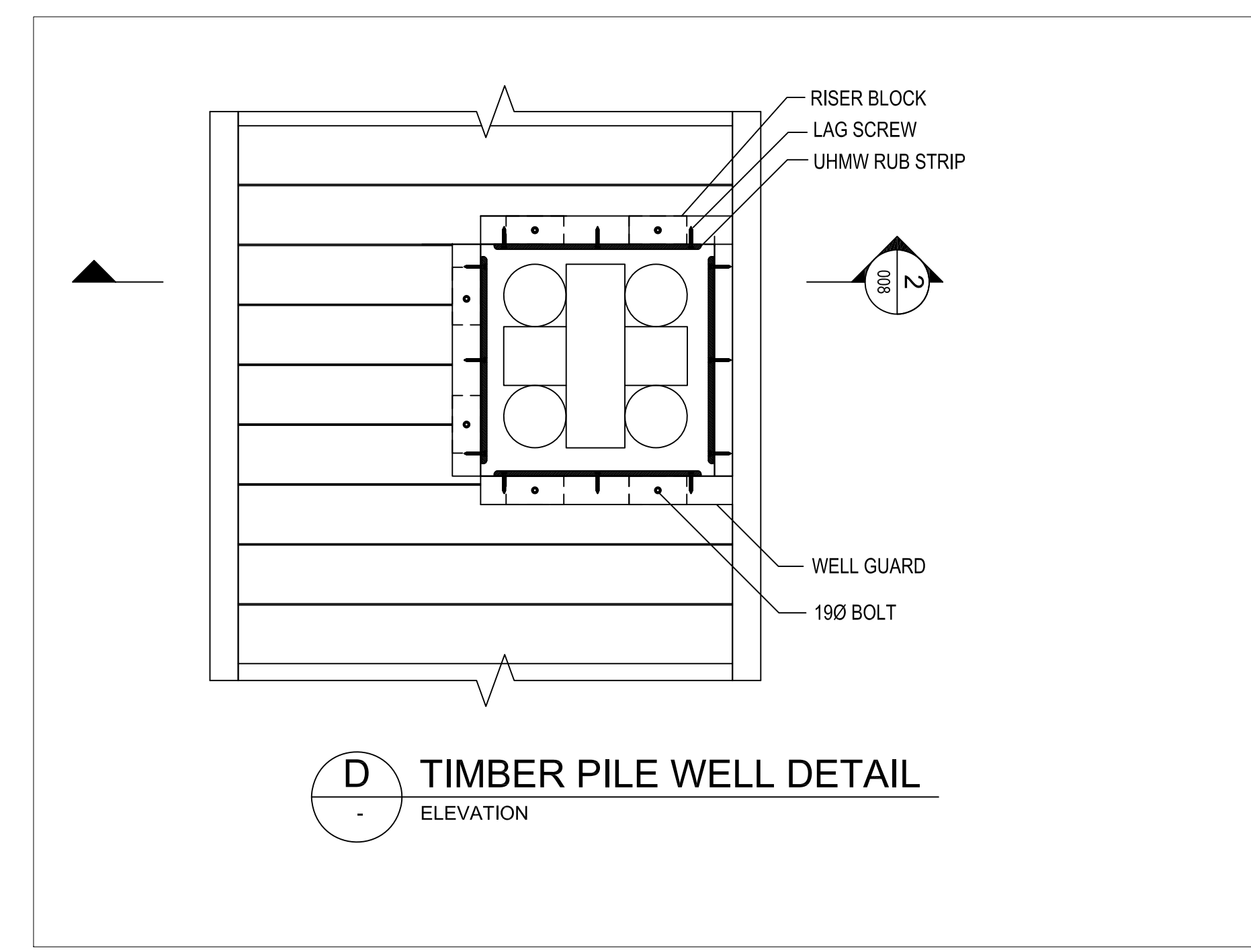
B HANDRAIL DETAIL
006 PARALLEL TO CAP



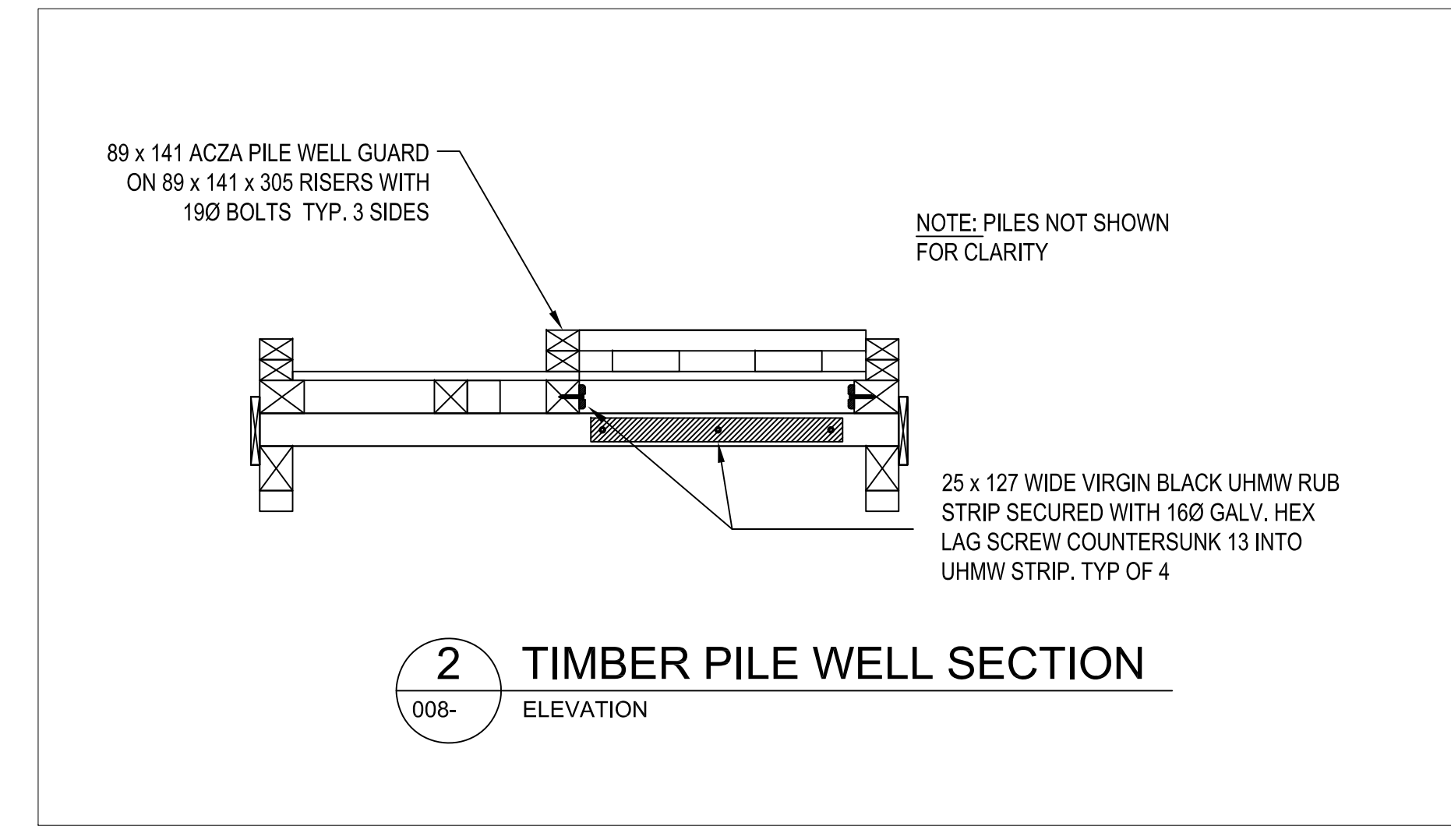
- HANDRAIL DETAIL
006 SIDE VIEW



C HANDRAIL DETAIL
- LOCK BLOCK CONNECTION



D TIMBER PILE WELL DETAIL
- ELEVATION



2 TIMBER PILE WELL SECTION
008- ELEVATION

