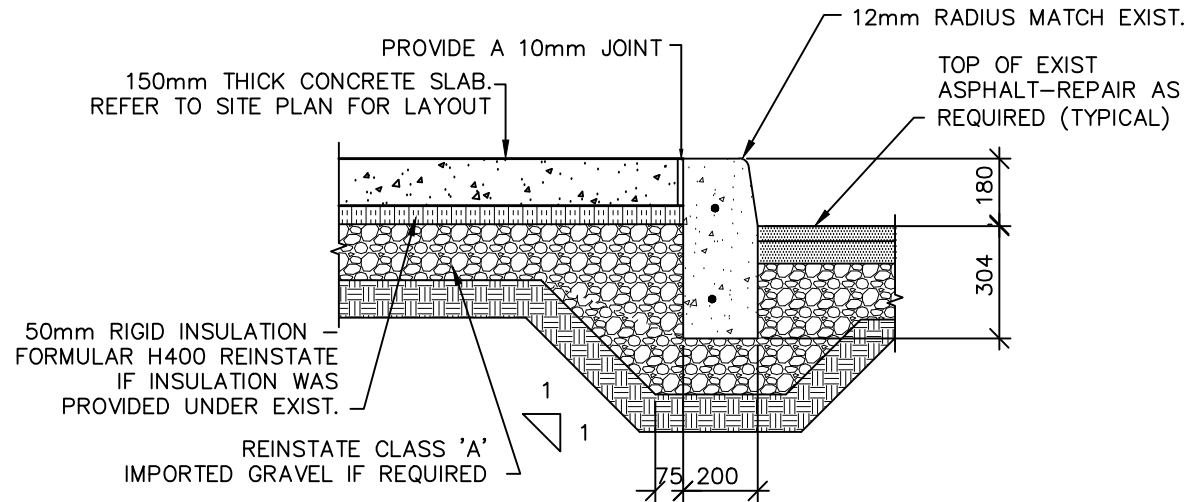
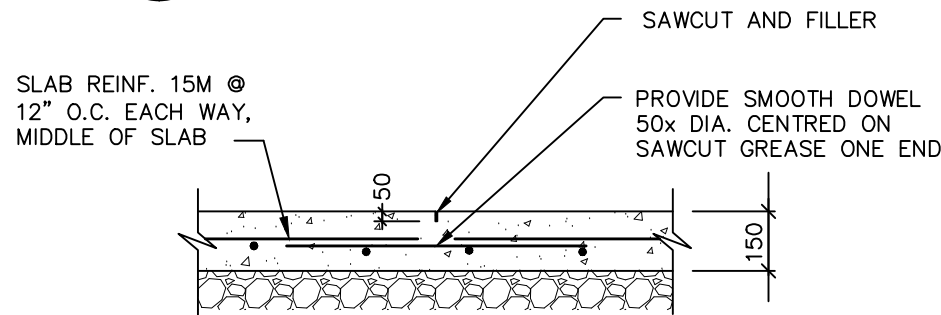


1 PLAN: CONCRETE SIDEWALK
SCALE: 1:20

DRILL 20mm DIA HOLES, 200mm DEEP INTO FACE OF EXIST. WALKWAY AT NEW SIDEWALK, GROUT & PROVIDE 15mm DOWELS BETWEEN NEW & EXISTING CONCRETE PANELS.

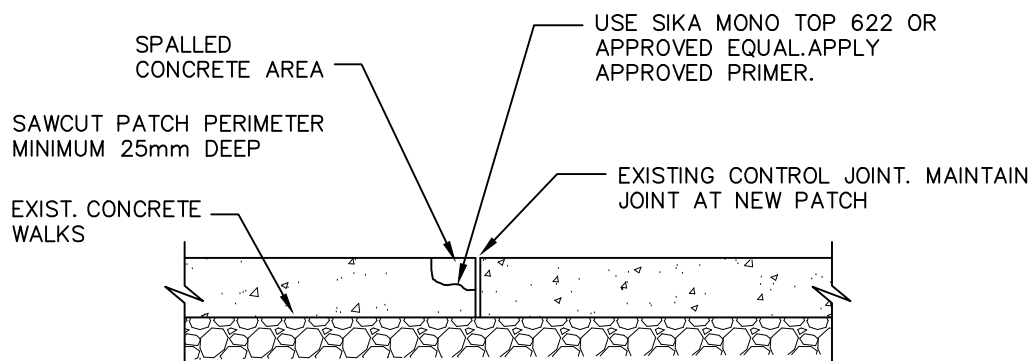


4 SECTION: CONCRETE CURB IN CONCRETE SLAB
SCALE: 1:20

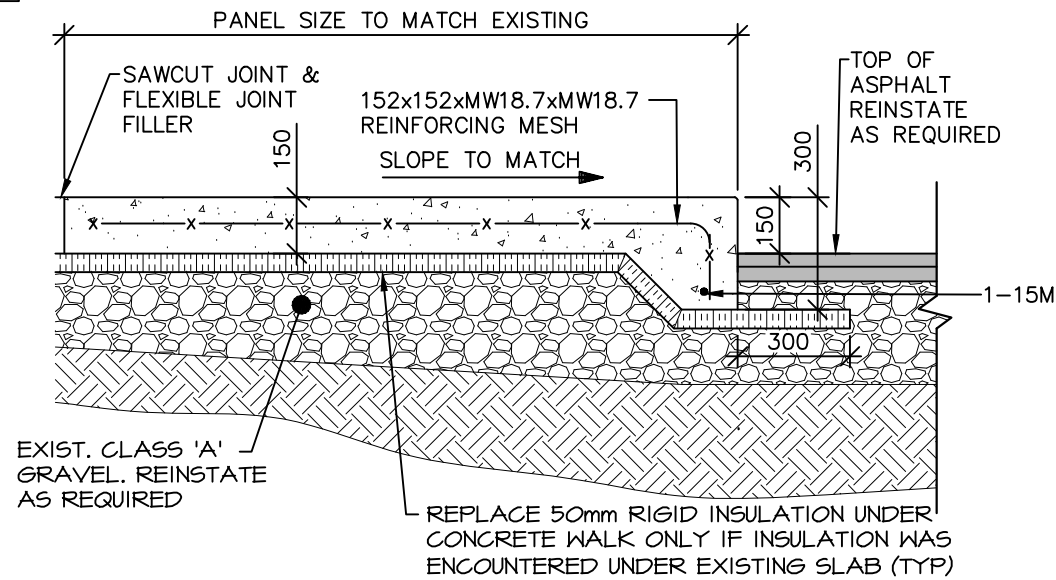


2 SECTION: CONTROL JOINT IN CONCRETE SLAB
SCALE: 1:20

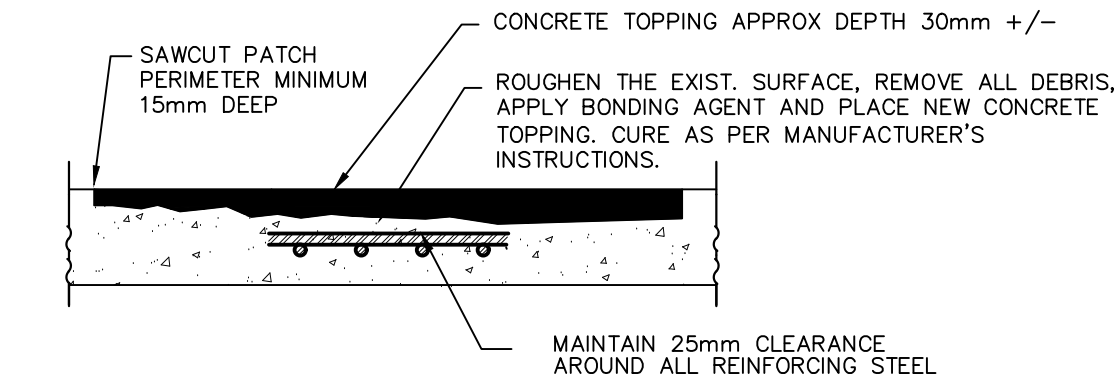
NOTE: AT EXPOSED REBAR, WIRE BRUSH & CLEAN EXISTING REINFORCING STEEL SURFACE



3 SPALL REPAIR
N.T.S.



4a SECTION: SIDEWALK INTEGRAL CURB
SCALE: 1:20



5 TOP SIDE REPAIR -INTERIOR SLAB-RAMP
N.T.S.

