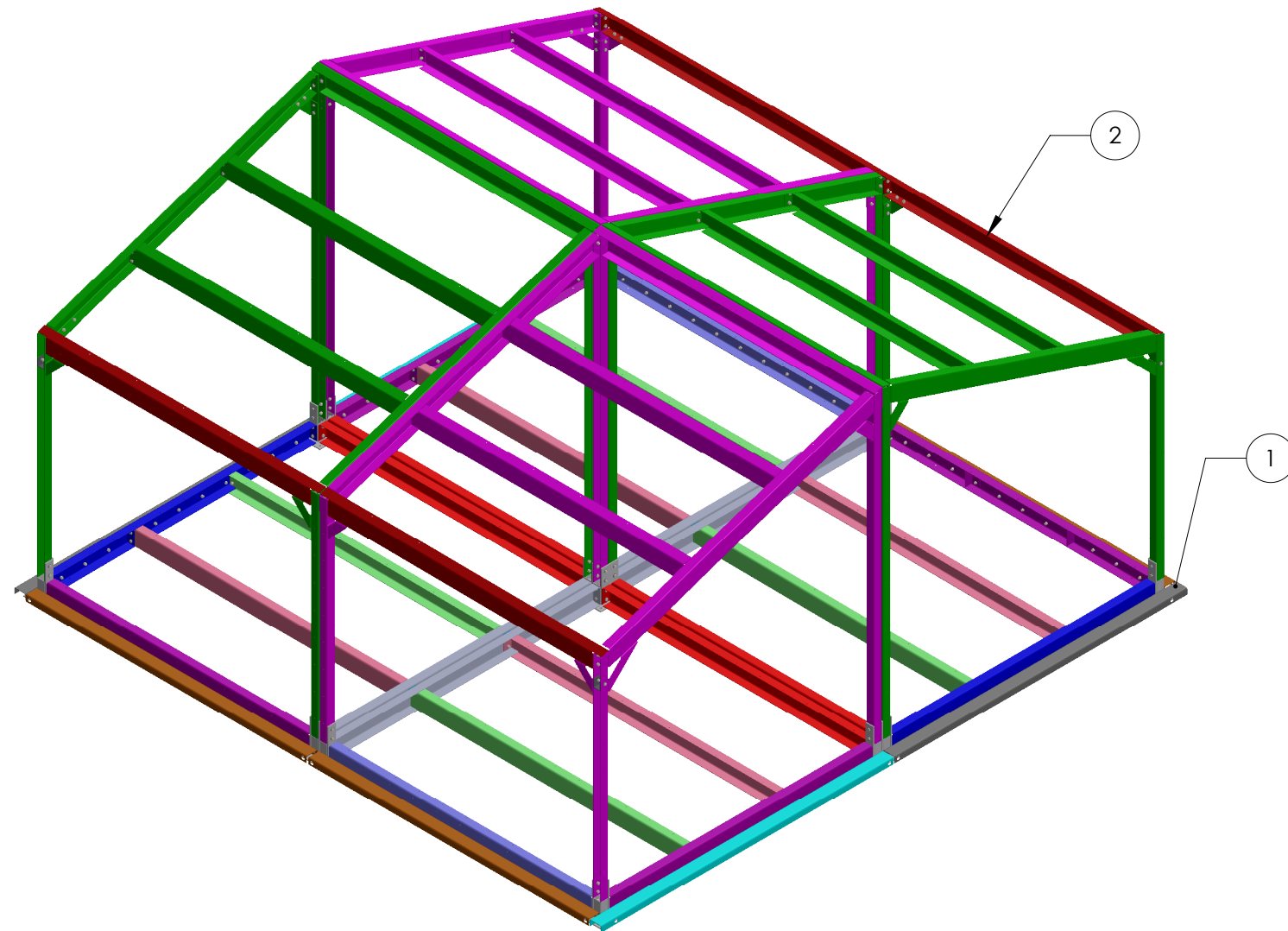


BOM Table(Restructured)

ITEM NO.	PART NUMBER	DESCRIPTION	QTY.
1	7125-SA-S02	24X24-S1 STRUCT AL FRAME/FOUNDATION	1
2	7125-SA-F02	24 x 24 ROOF ASSY	1
3	5/8-11x2-1/4 LONG HEX BOLT	AISI 316 SS	12
4	5/8" FLAT WASHER	A316 SS	52
5	5/8" SPRING LOCK WASHER	A316 SS	52
6	5/8" HEX NUT	A316 SS	52
7	5/8-11x1-3/4" LONG HEX BOLT	AISI 316 SS	40



	NAME	DATE
DRAWN	WW	11/17/2016
CHECKED	-	-
MFG APPR.		
WEIGHT	3657.01	
MATERIAL	SEE PART DWG	
FINISH	SEE SUB-ASSY DWG	

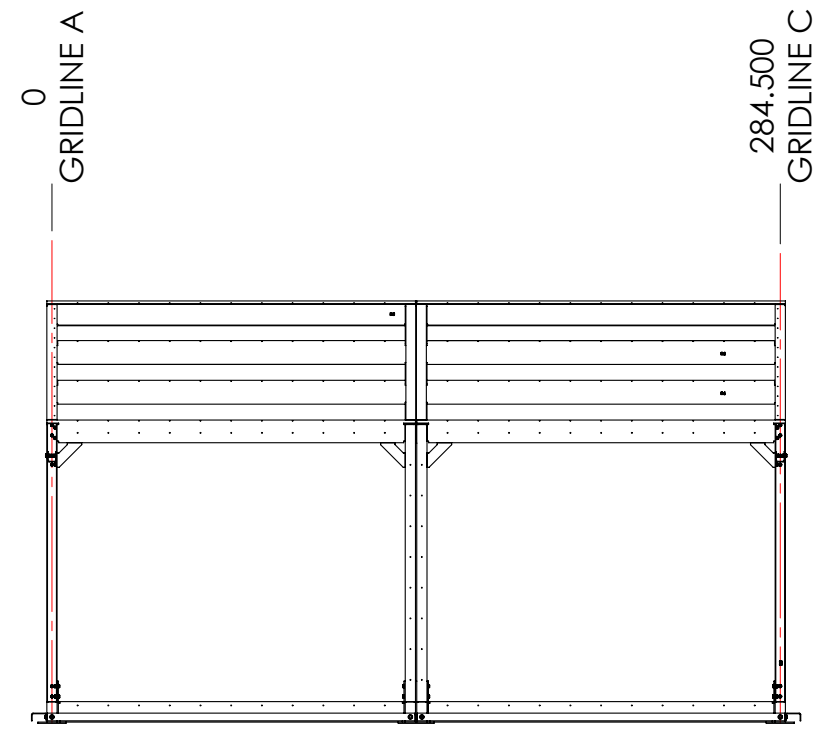
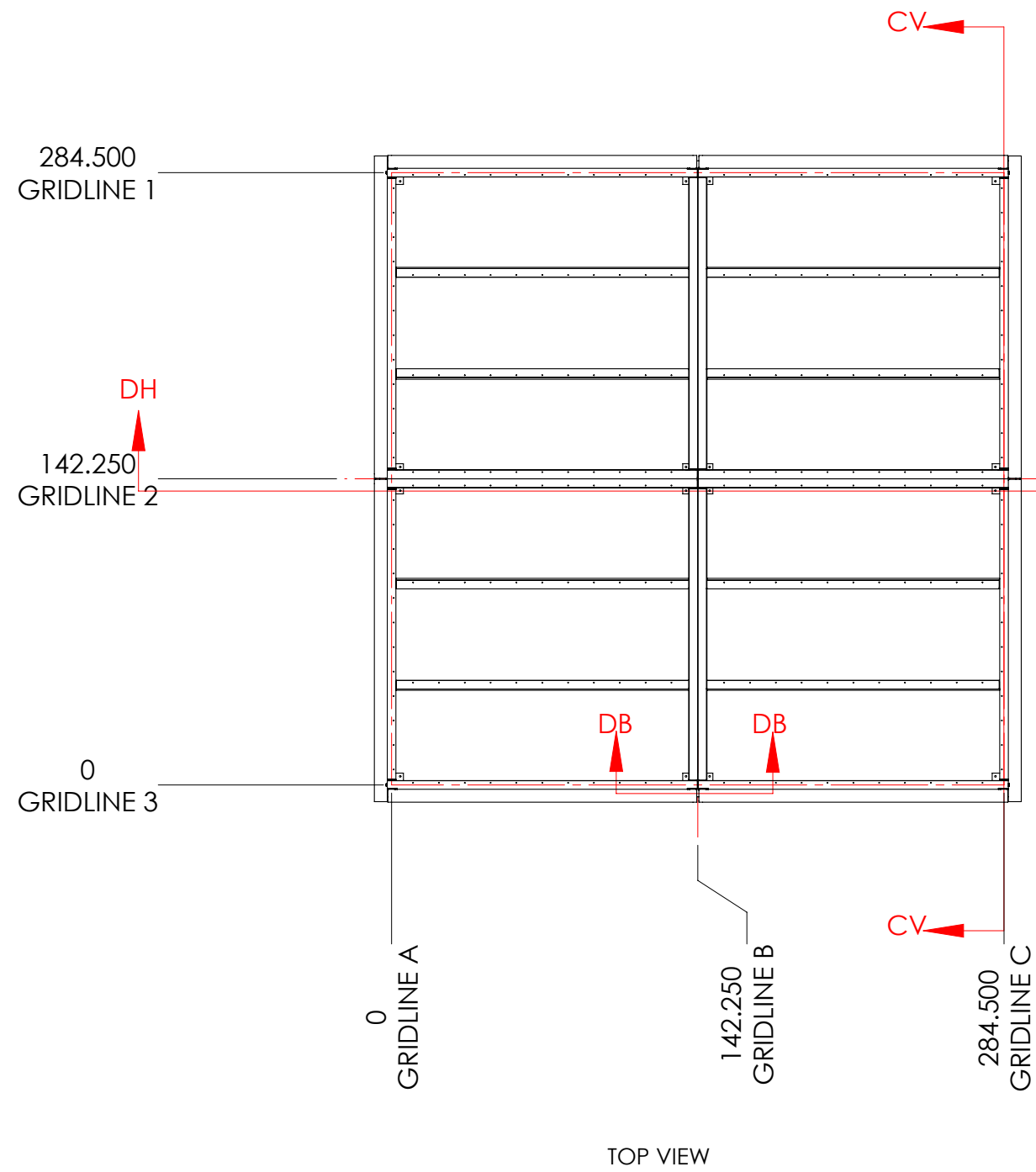


12948-170 Street NW
Edmonton, Alberta
Canada T5V 0B4

P: (780) 453-3886
F: (780) 455-7080
www.metalboss.com

PROPRIETARY AND CONFIDENTIAL
THE INFORMATION CONTAINED IN THIS DRAWING IS THE SOLE PROPERTY OF
METALBOSS TECHNOLOGIES INC. ANY REPRODUCTION IN PART OR AS A WHOLE
WITHOUT THE WRITTEN PERMISSION OF METALBOSS TECHNOLOGIES INC. IS
STRICTLY PROHIBITED.

CUSTOMER		FISHERIES AND OCEANS CANADA	
DESCRIPTION		24 x 24 ASSY	
WORK ORDER	13326	CLIENT REF.	-
NEXT ASSY		FINAL ASSY	
UNITS	inch	QTY	1
SCALE	1:60	PART NO.	
SHT	1 OF 4	7125-M02	
		REV	B



FRONT VIEW

TOP VIEW

	NAME	DATE
DRAWN	WW	11/17/2016
CHECKED	-	-
MFG APPR.		
WEIGHT	3657.01	
MATERIAL	SEE PART DWG	
FINISH	SEE SUB-ASSY DWG	

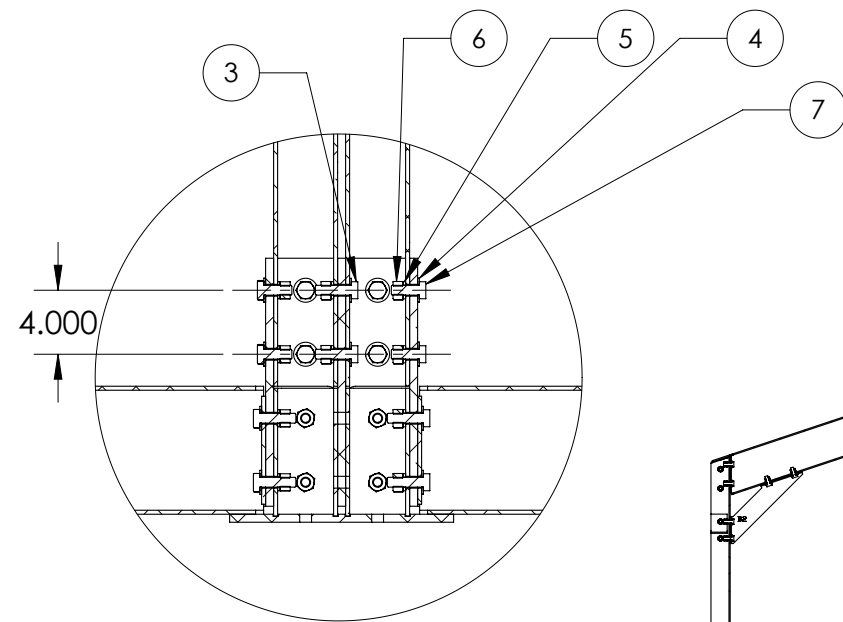

METALBOSS TECHNOLOGIES

12948-170 Street NW
 Edmonton, Alberta
 Canada T5V 0B4

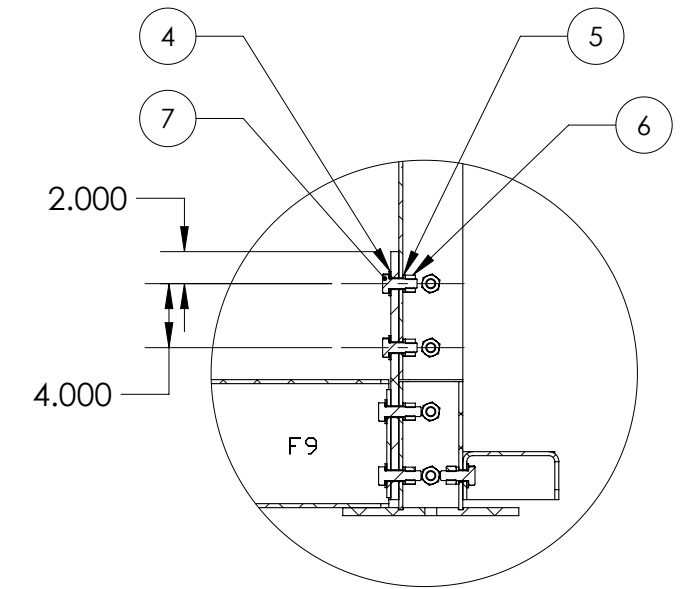
P: (780) 453-3886
 F: (780) 455-7080
www.metalboss.com

PROPRIETARY AND CONFIDENTIAL
 THE INFORMATION CONTAINED IN THIS DRAWING IS THE SOLE PROPERTY OF
 METALBOSS TECHNOLOGIES INC. ANY REPRODUCTION IN PART OR AS A WHOLE
 WITHOUT THE WRITTEN PERMISSION OF METALBOSS TECHNOLOGIES INC. IS
 STRICTLY PROHIBITED.

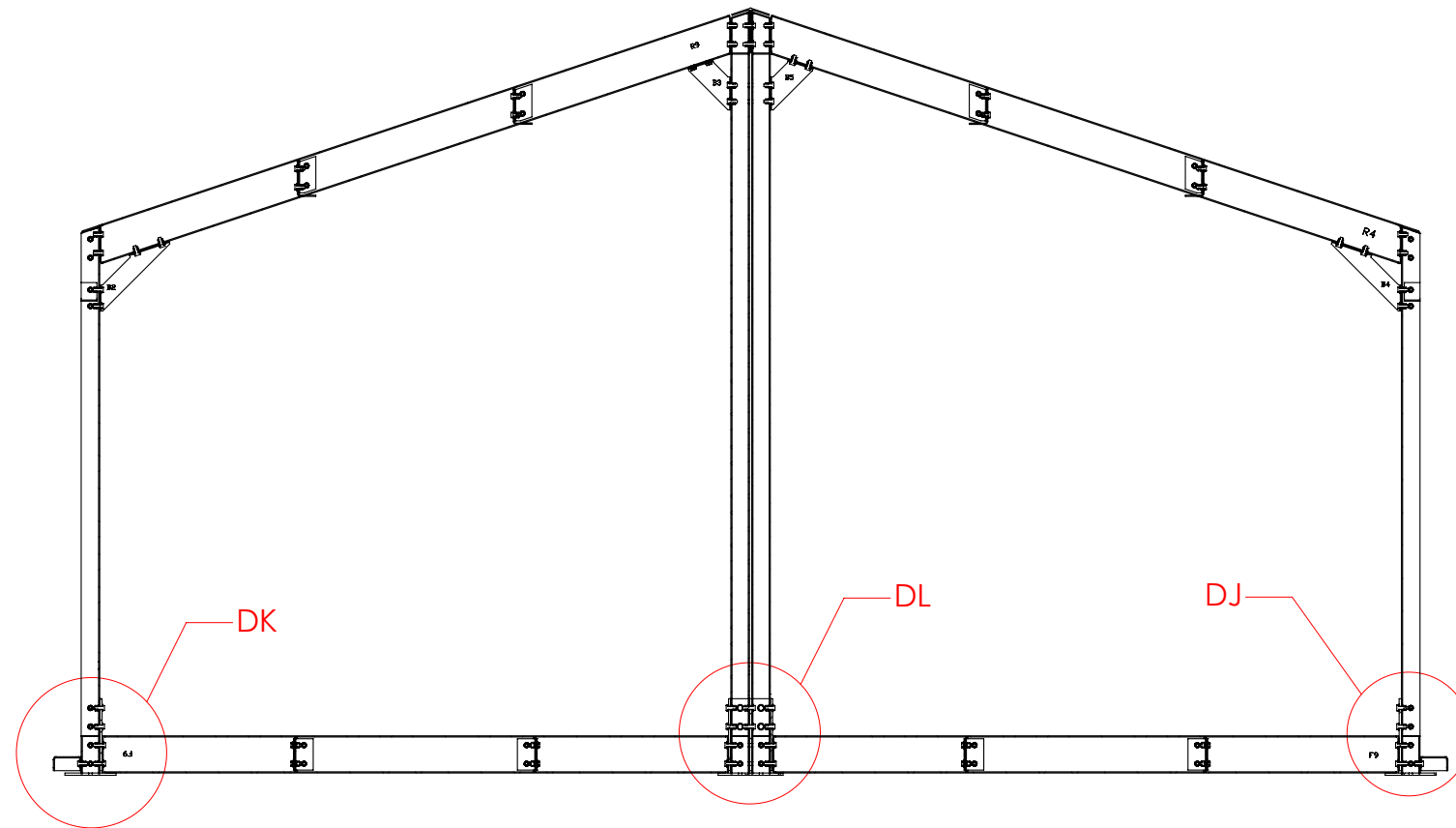
CUSTOMER		FISHERIES AND OCEANS CANADA					
DESCRIPTION		24 x 24 ASSY					
WORK ORDER	13326	CLIENT REF.	-				
NEXT ASSY		FINAL ASSY					
UNITS	inch	QTY	1	PART NO.	7125-M02	REV	B
SCALE	1:75						
SHT	2 OF 4						



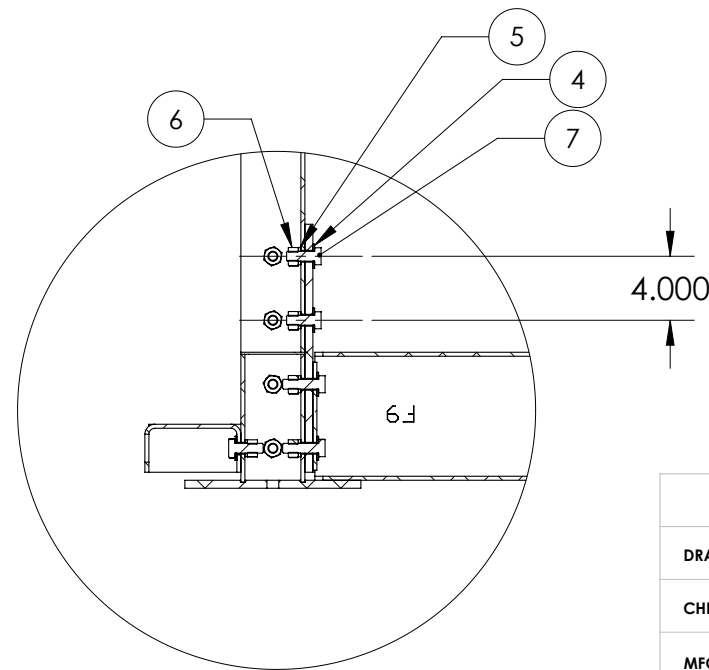
DETAIL DL
SCALE 1 : 12



DETAIL DJ
SCALE 1 : 12



SECTION CV-CV



DETAIL DK
SCALE 1 : 12

	NAME	DATE
DRAWN	WW	11/17/2016
CHECKED	-	-
MFG APPR.		
WEIGHT	3657.01	
MATERIAL	SEE PART DWG	
FINISH	SEE SUB-ASSY DWG	

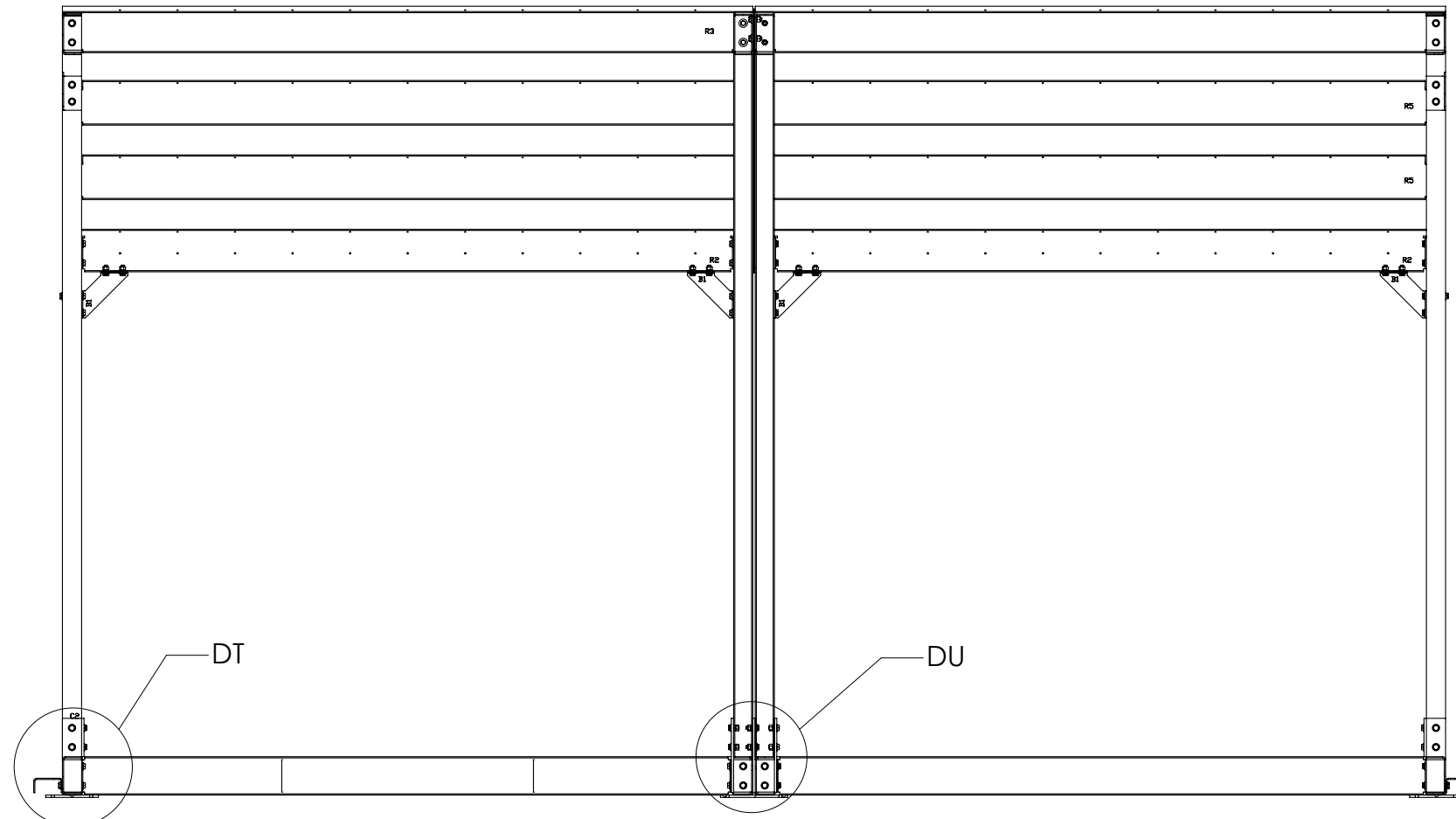


12948-170 Street NW
Edmonton, Alberta
Canada T5V 0B4

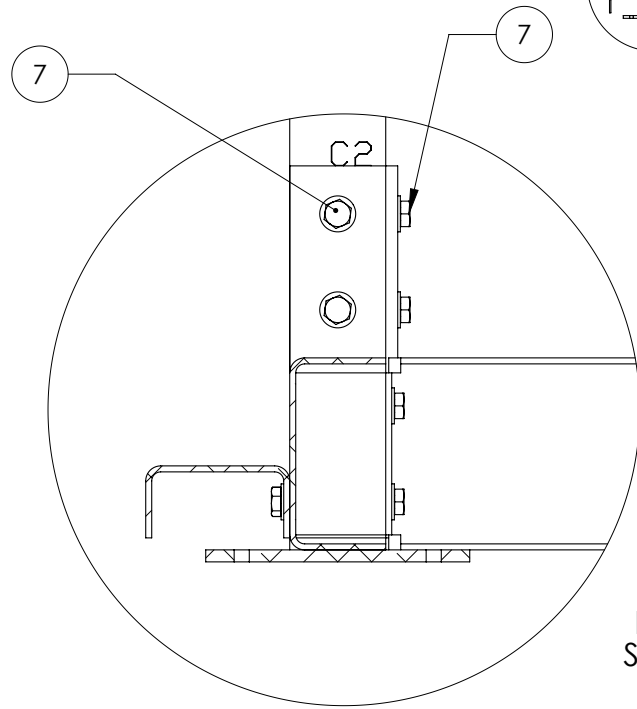
P: (780) 453-3886
F: (780) 455-7080
www.metalboss.com

PROPRIETARY AND CONFIDENTIAL
THE INFORMATION CONTAINED IN THIS DRAWING IS THE SOLE PROPERTY OF
METALBOSS TECHNOLOGIES INC. ANY REPRODUCTION IN PART OR AS A WHOLE
WITHOUT THE WRITTEN PERMISSION OF METALBOSS TECHNOLOGIES INC. IS
STRICTLY PROHIBITED.

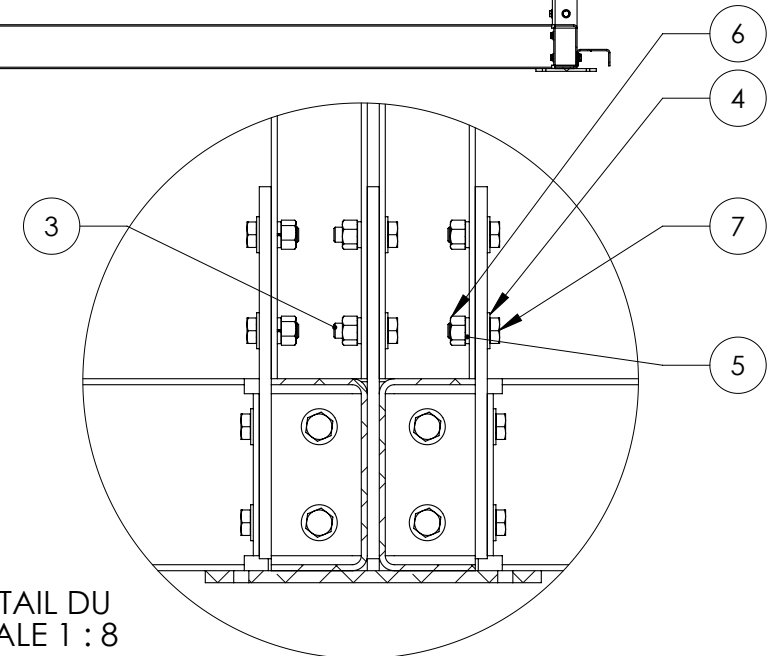
CUSTOMER		FISHERIES AND OCEANS CANADA		
DESCRIPTION		24 x 24 ASSY		
WORK ORDER	13326	CLIENT REF.	-	
NEXT ASSY		FINAL ASSY		
UNITS	inch	QTY 1	PART NO. 7125--M02	REV B
SCALE	1:40			
SHT	3 OF 4			



SECTION DH-DH
SCALE 1 : 35



DETAIL DT
SCALE 1 : 8



DETAIL DU
SCALE 1 : 8

	NAME	DATE
DRAWN	WW	11/17/2016
CHECKED	-	-
MFG APPR.		
WEIGHT	3657.01	
MATERIAL	SEE BOM	
FINISH	SEE SUB-ASSY DWG	

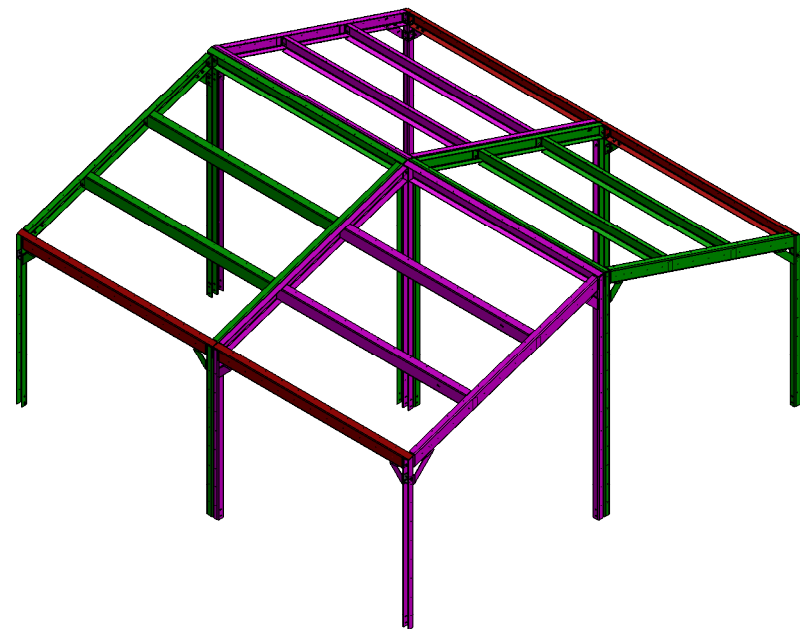
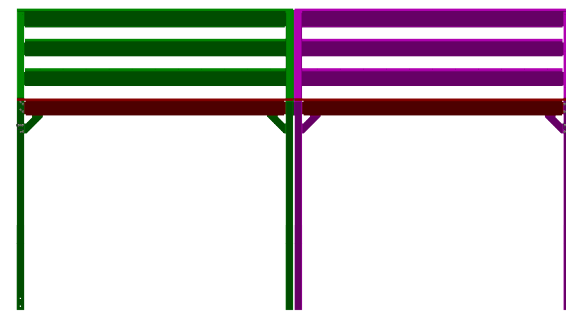
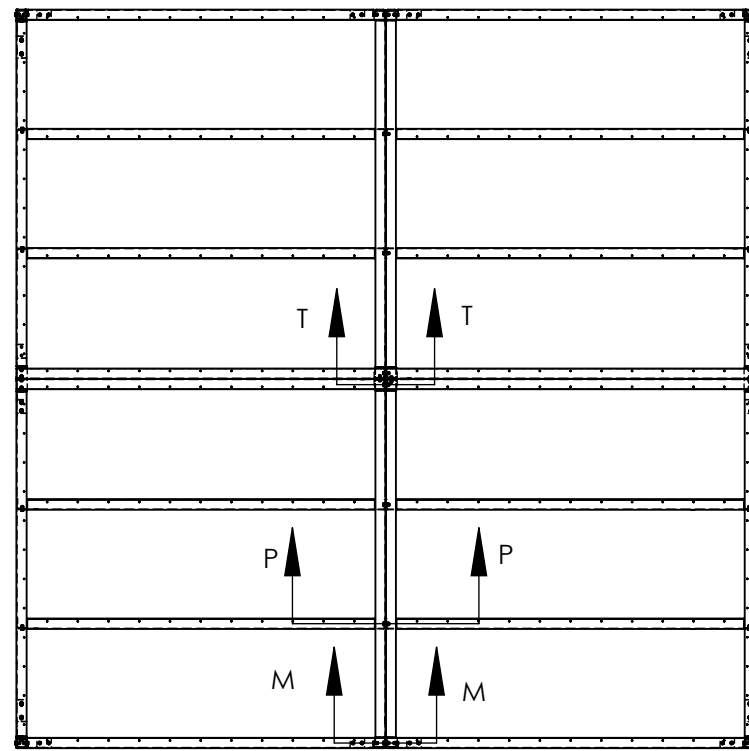


12948-170 Street NW
Edmonton, Alberta
Canada T5V 0B4

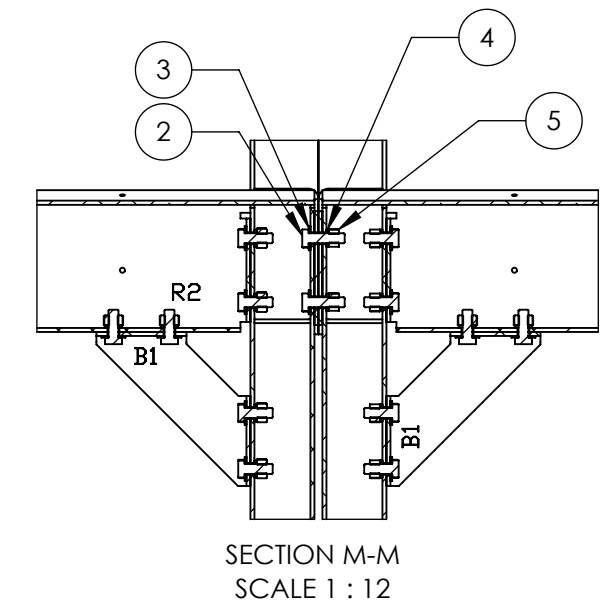
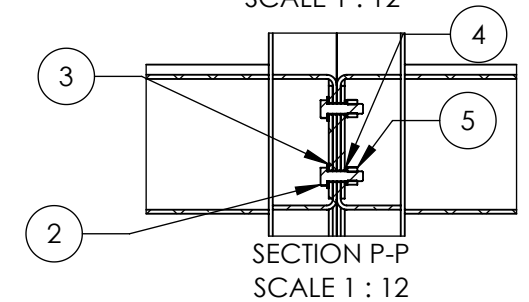
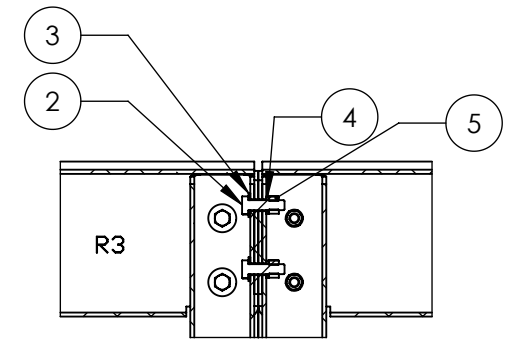
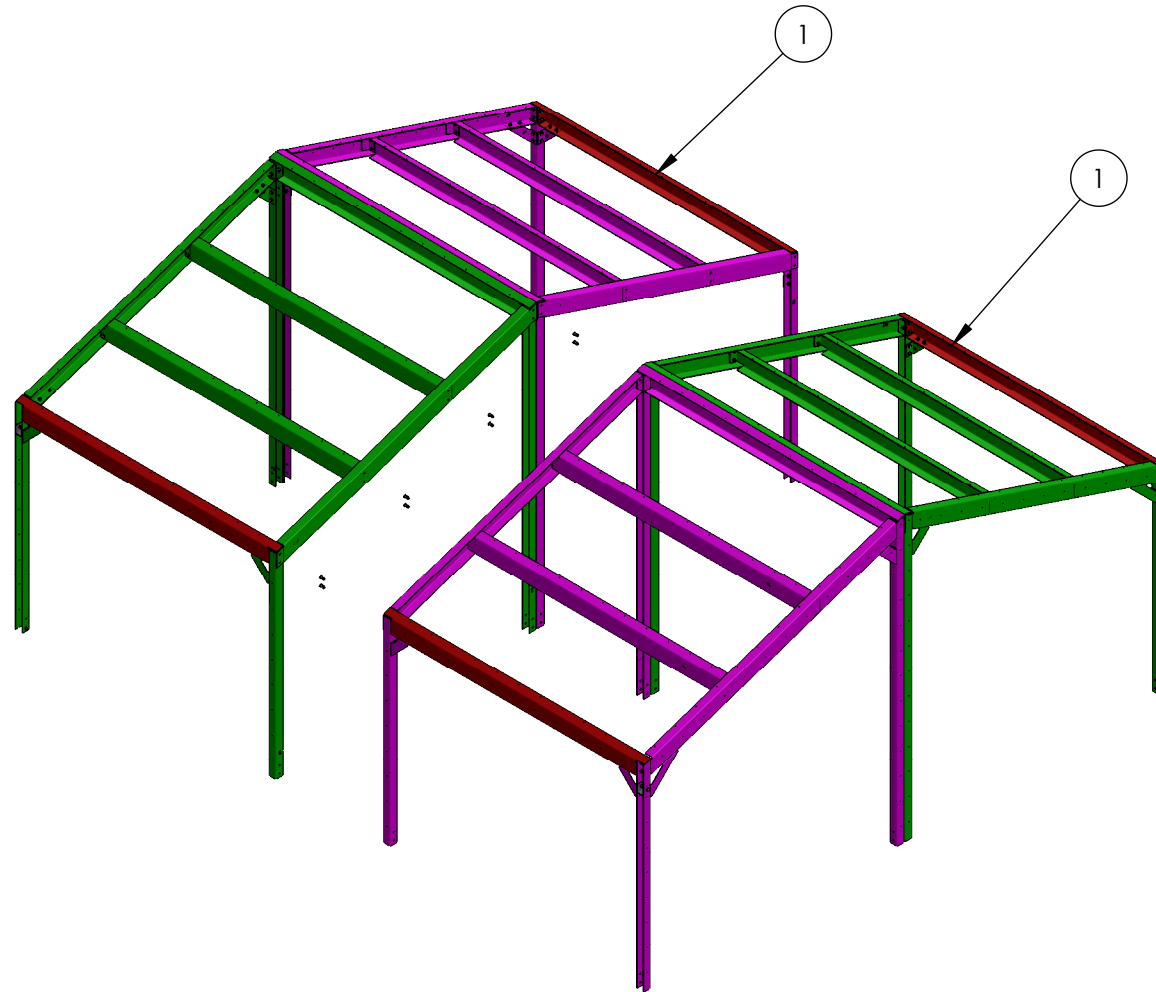
P: (780) 453-3886
F: (780) 455-7080
www.metalboss.com

PROPRIETARY AND CONFIDENTIAL
THE INFORMATION CONTAINED IN THIS DRAWING IS THE SOLE PROPERTY OF
METALBOSS TECHNOLOGIES INC. ANY REPRODUCTION IN PART OR AS A WHOLE
WITHOUT THE WRITTEN PERMISSION OF METALBOSS TECHNOLOGIES INC. IS
STRICTLY PROHIBITED.

CUSTOMER		FISHERIES AND OCEANS CANADA	
DESCRIPTION		24 x 24 ASSY	
WORK ORDER	13326	CLIENT REF.	-
NEXT ASSY		FINAL ASSY	
UNITS	inch	QTY 1	PART NO. 7125-M02
SCALE	1:75		
SHT	4 OF 4		
		REV	B



ITEM NO.	PART NUMBER	DESCRIPTION	QTY.
1	7125-SA-21	ROOF END ASSY	2
2	5/8-11x2-1/4 LONG HEX BOLT	AISI 316 SS	16
3	5/8" FLAT WASHER	A316 SS	16
4	5/8" SPRING LOCK WASHER	A316 SS	16
5	5/8" HEX NUT	A316 SS	16



	NAME	DATE
DRAWN	WW	11/16/2016
CHECKED	-	-
MFG APPR.		
WEIGHT	1906.32	
MATERIAL	SEE PART DWG	
FINISH	POWDER COAT, WHITE SHEEN GLOSS	

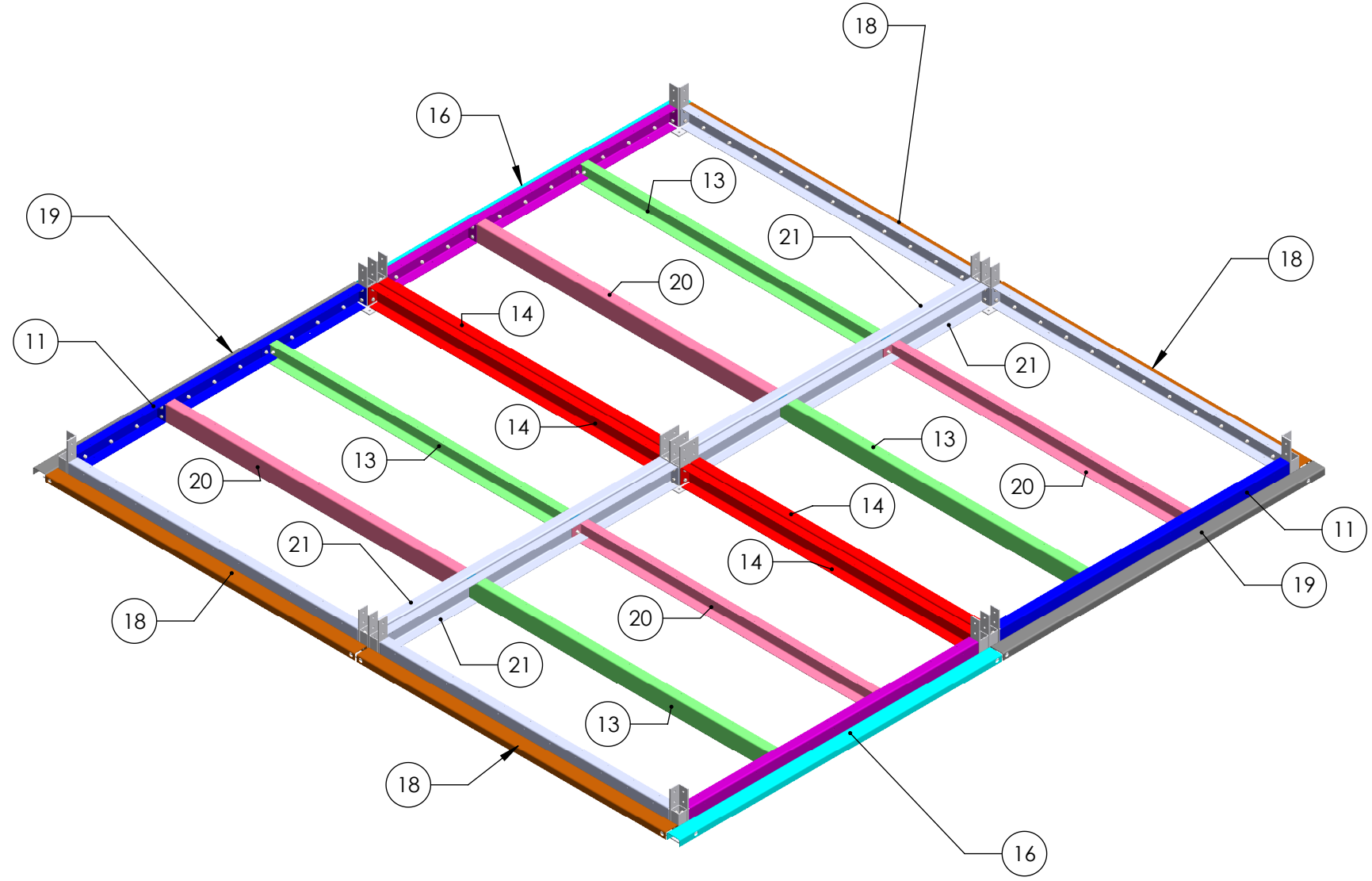


12948-170 Street NW
Edmonton, Alberta
Canada T5V 0B4

P: (780) 453-3886
F: (780) 455-7080
www.metalboss.com

PROPRIETARY AND CONFIDENTIAL
THE INFORMATION CONTAINED IN THIS DRAWING IS THE SOLE PROPERTY OF
METALBOSS TECHNOLOGIES INC. ANY REPRODUCTION IN PART OR AS A WHOLE
WITHOUT THE WRITTEN PERMISSION OF METALBOSS TECHNOLOGIES INC. IS
STRICTLY PROHIBITED.

CUSTOMER		FISHERIES AND OCEANS CANADA		
DESCRIPTION		24 x 24 ROOF ASSY		
WORK ORDER	13326	CLIENT REF.	-	
NEXT ASSY		FINAL ASSY		
UNITS	inch	QTY	SEE BOM	
SCALE	1:75	PART NO.		7125-SA-F02
SHT	1 OF 1	REV		B



BILL OF MATERIALS			
ITEM NO.	PART NUMBER	DESCRIPTION	QTY.
1	5/8" FLAT WASHER	A316 SS	193
2	5/8" HEX NUT	A316 SS	193
3	5/8" SPRING LOCK WASHER	A316 SS	193
4	5/8-11x1-3/4" LONG HEX BOLT	AISI 316 SS	144
5	5/8-11x2-1/4 LONG HEX BOLT	AISI 316 SS	41
6	5/8-11x2-3/4 LONG HEX BOLT	AISI 316 SS	8
7	7125-0015	SPACER	4
8	7125-SA-04	COLUMN BASE MK CB-1	4
9	7125-SA-03	COLUMN BASE MK CB-2	4
10	7125-SA-05	COLUMN BASE MK CB-3	1
11	7125-SA-26	FLOOR SUPPORT CHANNEL ASSY-F5	2
12	7125-0072	FLOOR SUPPORT CHANNEL-F12	2
13	7125-0026	FLOOR SUPPORT CHANNEL-F10	4
14	7125-0023	FLOOR SUPPORT CHANNEL-F7	4
15	7125-SA-35	FLOOR SUPPORT CHANNEL ASSY-F11	2
16	7125-0014	WALL SUPPORT CHANNEL-F4	2
17	7125-0091	FLOOR SUPPORT CHANNEL-F13	2
18	7125-0008	WALL SUPPORT CHANNEL-F1	4
19	7125-0009	WALL SUPPORT CHANNEL-F2	2
20	7125-0022	FLOOR SUPPORT CHANNEL-F6	4
21	7125-0025	FLOOR SUPPORT CHANNEL-F9	4

	NAME	DATE
DRAWN	WW	11/18/2016
CHECKED	-	-
MFG APPR.		
WEIGHT	1740.68	
MATERIAL	SEE PART DWG	
FINISH	NA	

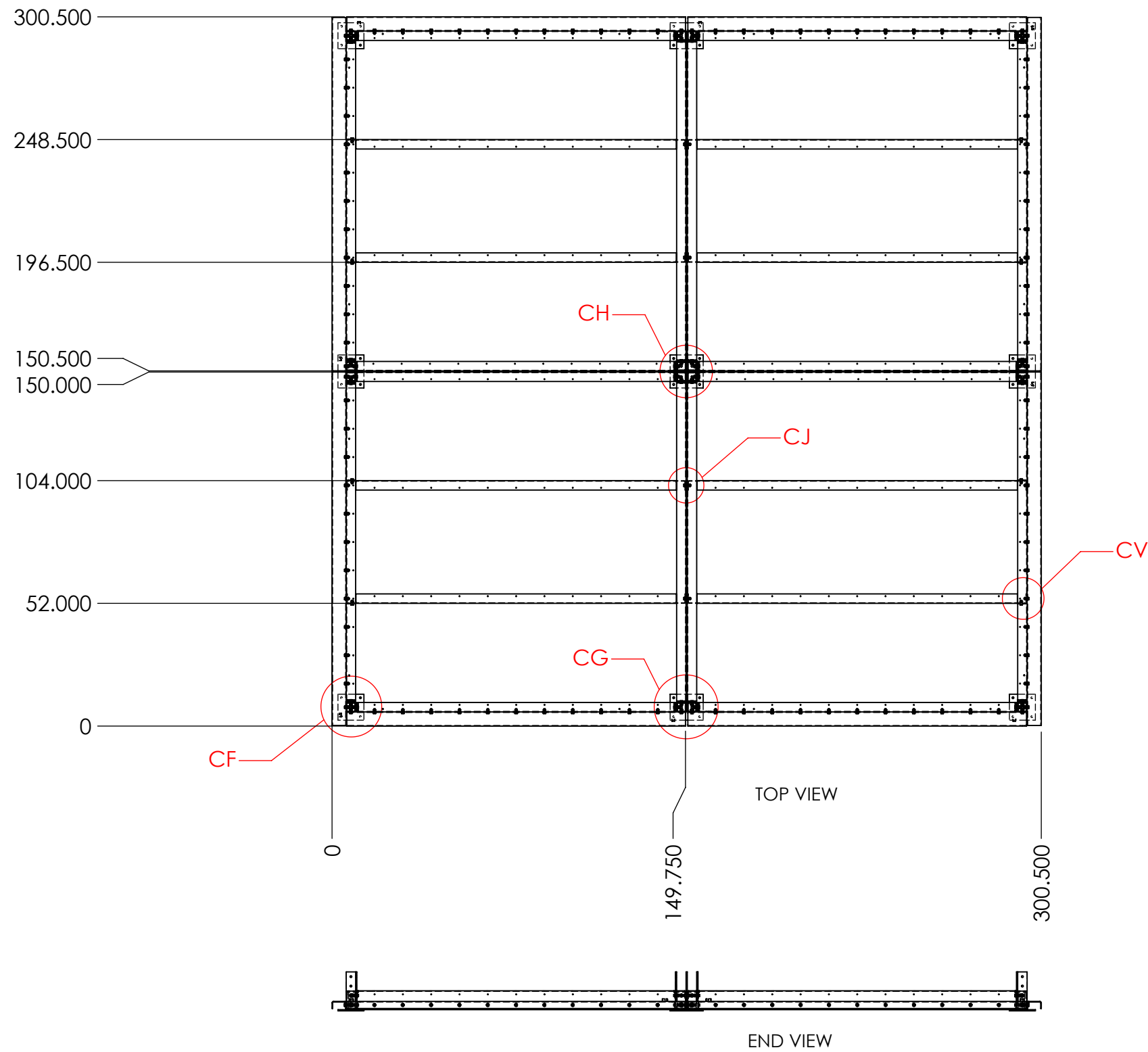

METALBOSS TECHNOLOGIES

12948-170 Street NW
 Edmonton, Alberta
 Canada T5V 0B4

P: (780) 453-3886
 F: (780) 455-7080
www.metalboss.com

PROPRIETARY AND CONFIDENTIAL
 THE INFORMATION CONTAINED IN THIS DRAWING IS THE SOLE PROPERTY OF
 METALBOSS TECHNOLOGIES INC. ANY REPRODUCTION IN PART OR AS A WHOLE
 WITHOUT THE WRITTEN PERMISSION OF METALBOSS TECHNOLOGIES INC. IS
 STRICTLY PROHIBITED.

CUSTOMER		FISHERIES AND OCEANS CANADA	
DESCRIPTION		24X24-S1 STRUCT AL FRAME/FOUNDATION	
WORK ORDER	13326	CLIENT REF.	-
NEXT ASSY		FINAL ASSY	
UNITS	inch	QTY	SEE BOM
SCALE	1:50	PART NO.	7125-SA-S02
SHT	1 OF 7	REV	B



	NAME	DATE
DRAWN	WW	11/18/2016
CHECKED	-	-
MFG APPR.		
WEIGHT	1740.68	
MATERIAL	SEE PART DWG	
FINISH	NA	

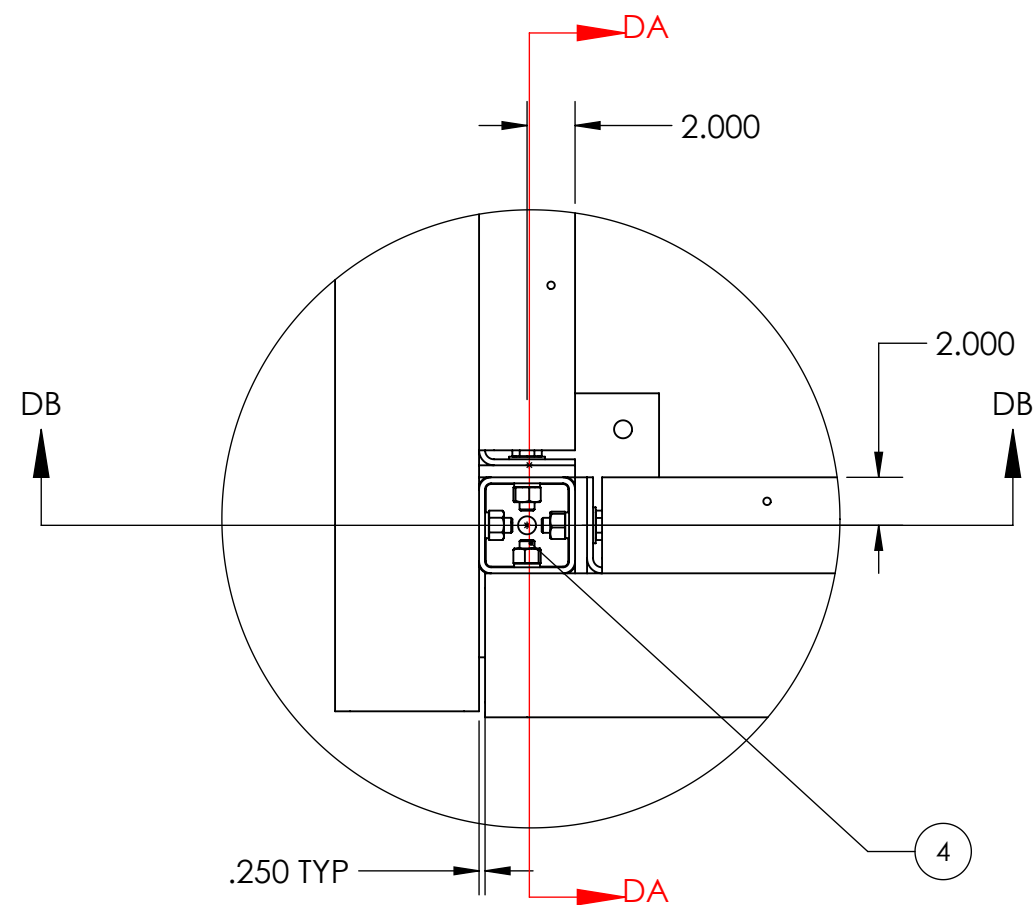

METALBOSS TECHNOLOGIES

12948-170 Street NW
 Edmonton, Alberta
 Canada T5V 0B4

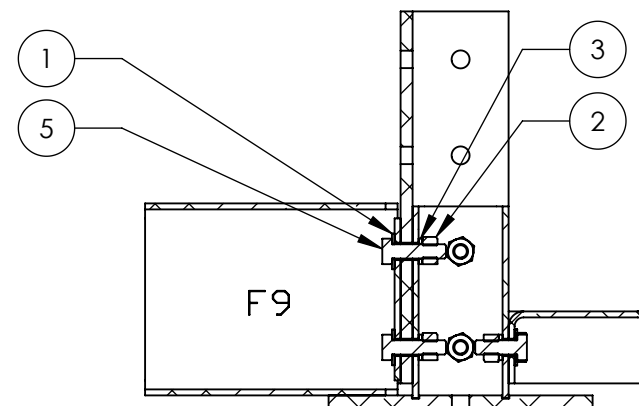
P: (780) 453-3886
 F: (780) 455-7080
www.metalboss.com

PROPRIETARY AND CONFIDENTIAL
 THE INFORMATION CONTAINED IN THIS DRAWING IS THE SOLE PROPERTY OF
 METALBOSS TECHNOLOGIES INC. ANY REPRODUCTION IN PART OR AS A WHOLE
 WITHOUT THE WRITTEN PERMISSION OF METALBOSS TECHNOLOGIES INC. IS
 STRICTLY PROHIBITED.

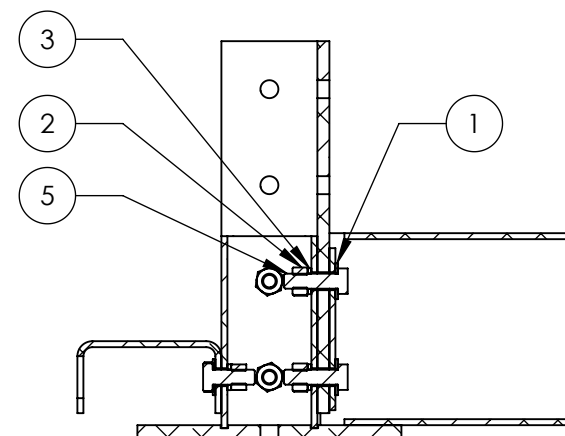
CUSTOMER		FISHERIES AND OCEANS CANADA	
DESCRIPTION		24X24-S1 STRUCT AL FRAME/FOUNDATION	
WORK ORDER	13326	CLIENT REF.	-
NEXT ASSY		FINAL ASSY	
UNITS	inch	QTY	SEE BOM
SCALE	1:55	PART NO.	
SHT	2 OF 7	7125-SA-S02	
			REV
			B



DETAIL CF
SCALE 1 : 8



SECTION DA-DA
SCALE 1 : 8



SECTION DB-DB
SCALE 1 : 8

	NAME	DATE
DRAWN	WW	11/18/2016
CHECKED	-	-
MFG APPR.		
WEIGHT	1740.68	
MATERIAL	SEE PART DWG	
FINISH	NA	

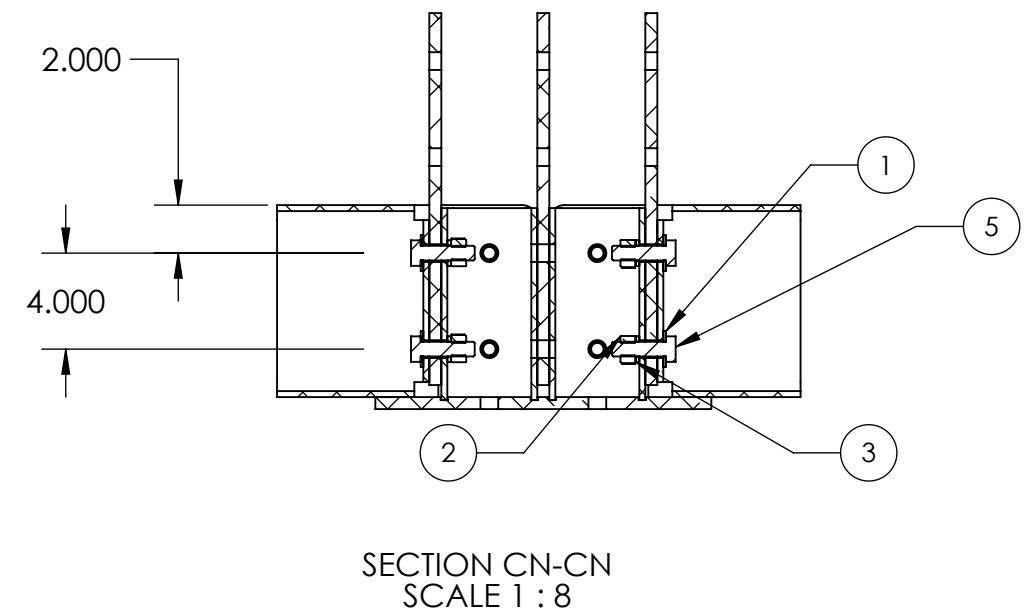
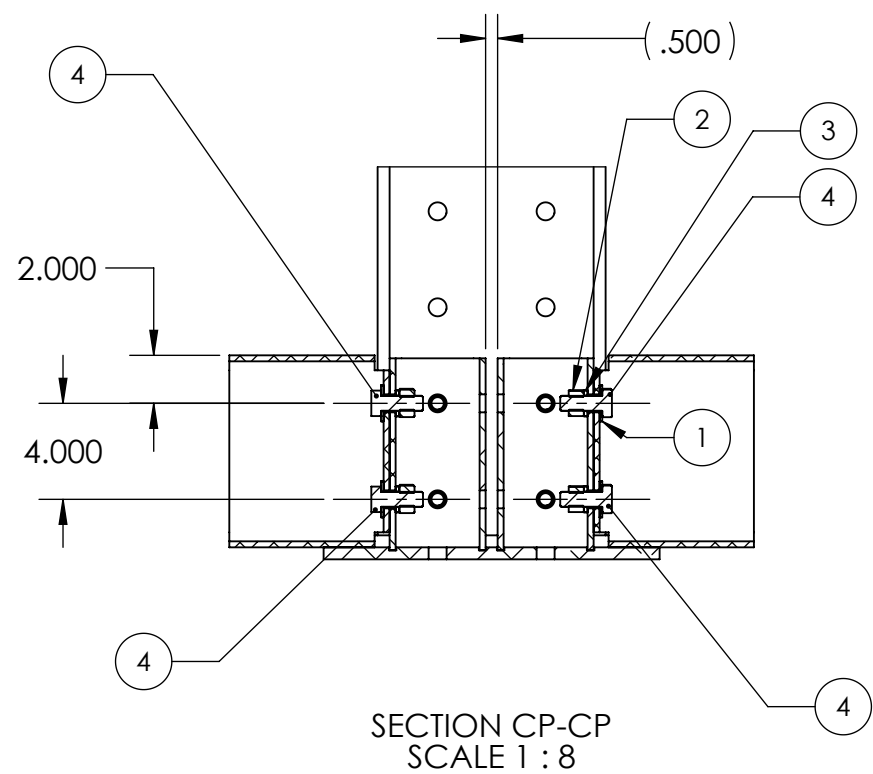
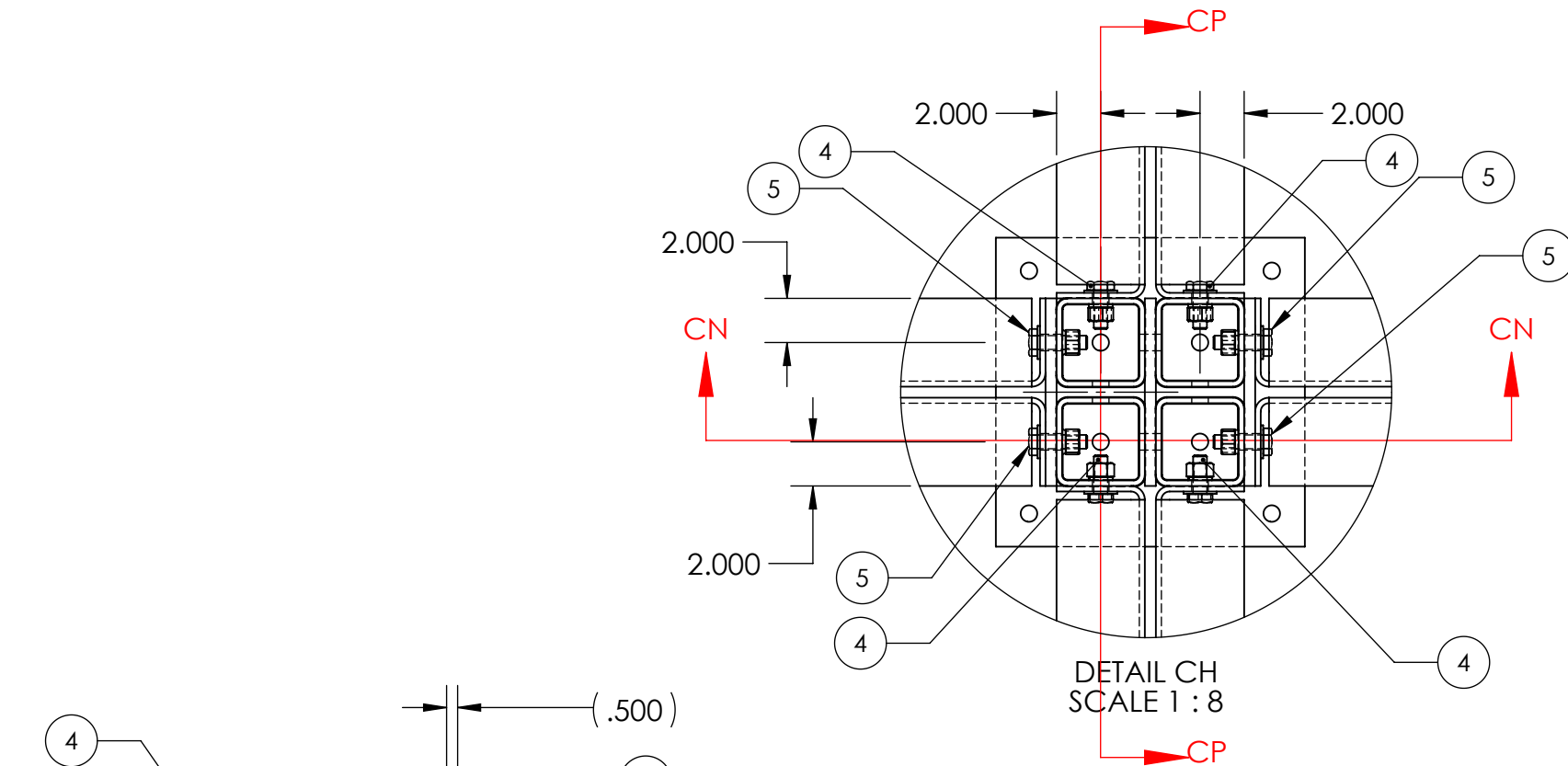


12948-170 Street NW
Edmonton, Alberta
Canada T5V 0B4

P: (780) 453-3886
F: (780) 455-7080
www.metalboss.com

PROPRIETARY AND CONFIDENTIAL
THE INFORMATION CONTAINED IN THIS DRAWING IS THE SOLE PROPERTY OF
METALBOSS TECHNOLOGIES INC. ANY REPRODUCTION IN PART OR AS A WHOLE
WITHOUT THE WRITTEN PERMISSION OF METALBOSS TECHNOLOGIES INC. IS
STRICTLY PROHIBITED.

CUSTOMER		FISHERIES AND OCEANS CANADA	
DESCRIPTION		24X24-S1 STRUCT AL FRAME/FOUNDATION	
WORK ORDER	13326	CLIENT REF.	-
NEXT ASSY		FINAL ASSY	
UNITS	inch	QTY	
SCALE	1:75	SEE BOM	PART NO.
SHT	3 OF 7		7125-SA-S02
		REV	B



	NAME	DATE
DRAWN	WW	11/18/2016
CHECKED	-	-
MFG APPR.		
WEIGHT	1740.68	
MATERIAL	SEE PART DWG	
FINISH	NA	

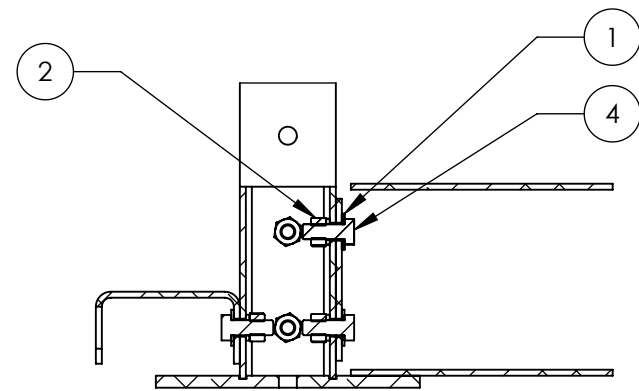
METALBOSS TECHNOLOGIES

12948-170 Street NW
Edmonton, Alberta
Canada T5V 0B4

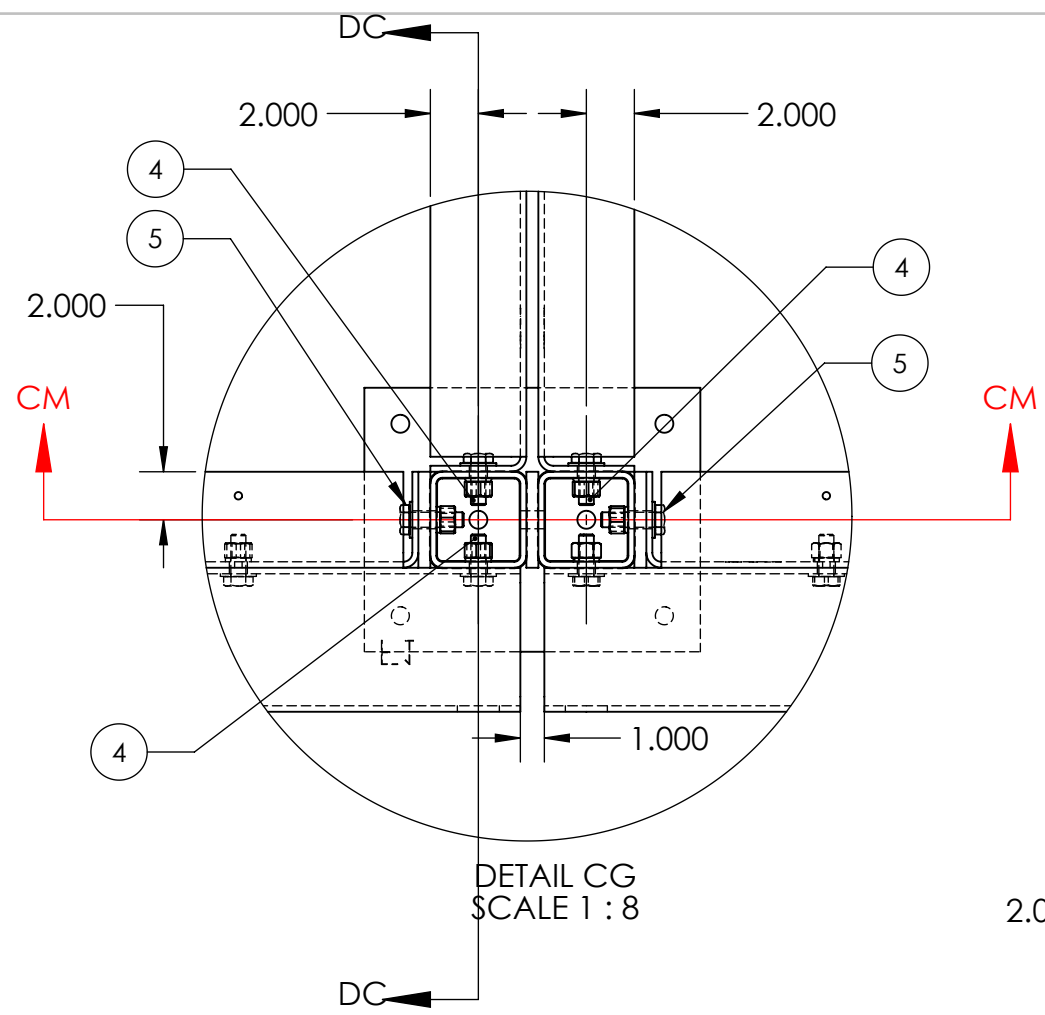
P: (780) 453-3886
F: (780) 455-7080
www.metalboss.com

PROPRIETARY AND CONFIDENTIAL
THE INFORMATION CONTAINED IN THIS DRAWING IS THE SOLE PROPERTY OF
METALBOSS TECHNOLOGIES INC. ANY REPRODUCTION IN PART OR AS A WHOLE
WITHOUT THE WRITTEN PERMISSION OF METALBOSS TECHNOLOGIES INC. IS
STRICTLY PROHIBITED.

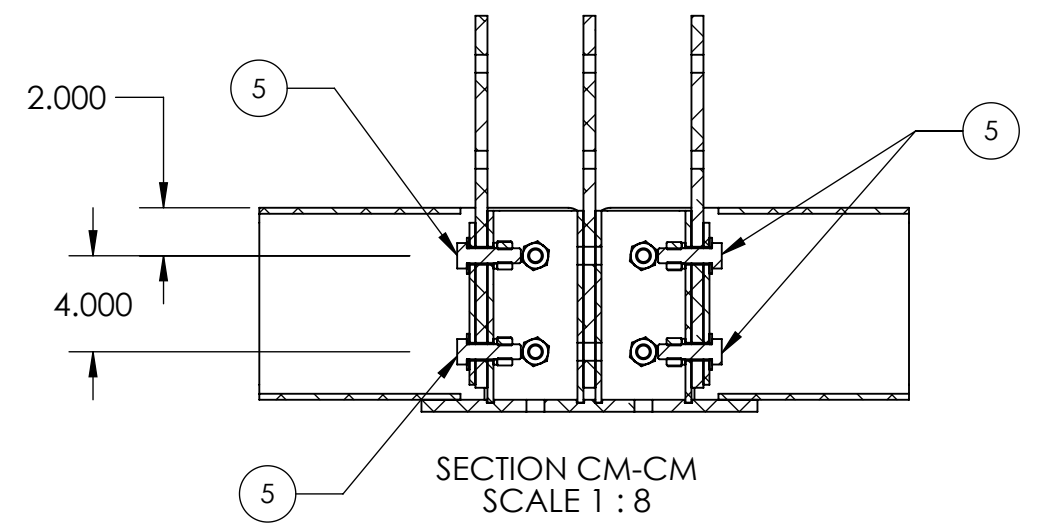
CUSTOMER		FISHERIES AND OCEANS CANADA	
DESCRIPTION		24X24-S1 STRUCT AL FRAME/FOUNDATION	
WORK ORDER	13326	CLIENT REF.	-
NEXT ASSY		FINAL ASSY	
UNITS	inch	QTY	SEE BOM 7125-SA-S02
SCALE	1:75	PART NO.	
SHT	4 OF 7	REV	
		B	



SECTION DC-DC
SCALE 1 : 8



DETAIL CG
SCALE 1 : 8



SECTION CM-CM
SCALE 1 : 8

	NAME	DATE
DRAWN	WW	11/18/2016
CHECKED	-	-
MFG APPR.		
WEIGHT	1740.68	
MATERIAL	SEE PART DWG	
FINISH	NA	

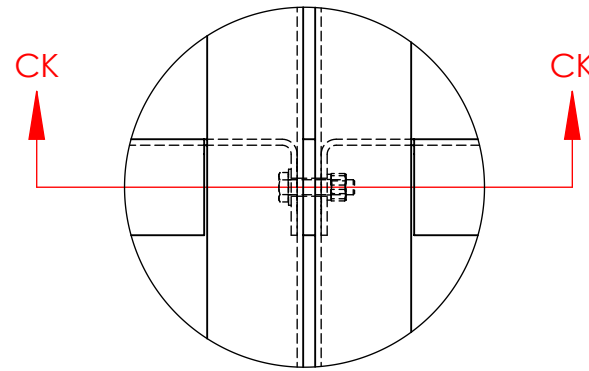

METALBOSS TECHNOLOGIES

12948-170 Street NW
 Edmonton, Alberta
 Canada T5V 0B4

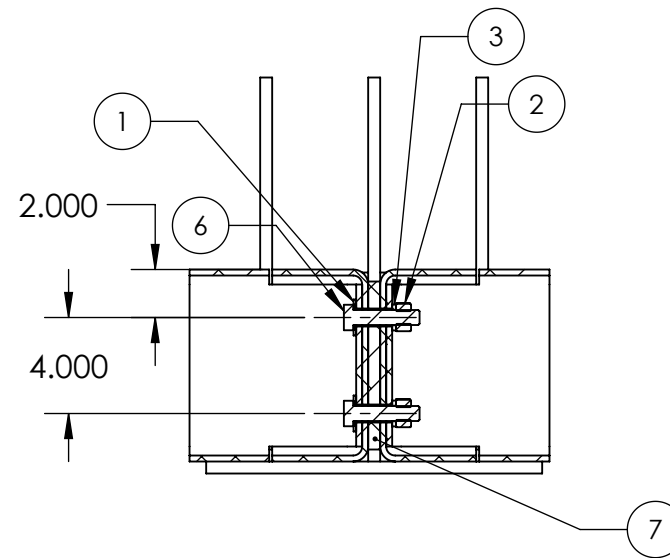
P: (780) 453-3886
 F: (780) 455-7080
www.metalboss.com

PROPRIETARY AND CONFIDENTIAL
 THE INFORMATION CONTAINED IN THIS DRAWING IS THE SOLE PROPERTY OF
 METALBOSS TECHNOLOGIES INC. ANY REPRODUCTION IN PART OR AS A WHOLE
 WITHOUT THE WRITTEN PERMISSION OF METALBOSS TECHNOLOGIES INC. IS
 STRICTLY PROHIBITED.

CUSTOMER		FISHERIES AND OCEANS CANADA	
DESCRIPTION		24X24-S1 STRUCT AL FRAME/FOUNDATION	
WORK ORDER	13326	CLIENT REF.	-
NEXT ASSY		FINAL ASSY	
UNITS	inch	QTY	
SCALE	1:75	SEE BOM	PART NO.
SHT	5 OF 7		7125-SA-S02
		REV	B



DETAIL CJ
SCALE 1 : 8



SECTION CK-CK
SCALE 1 : 8

	NAME	DATE
DRAWN	WW	11/18/2016
CHECKED	-	-
MFG APPR.		
WEIGHT	1740.68	
MATERIAL	SEE PART DWG	
FINISH	NA	

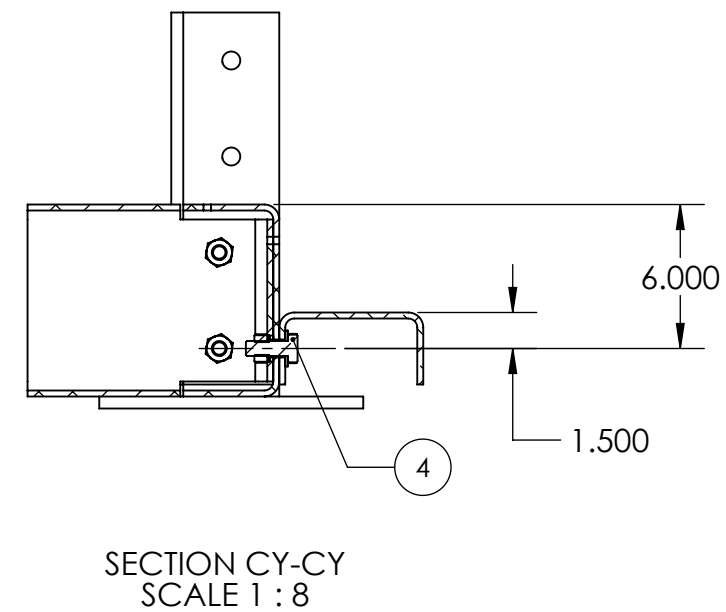
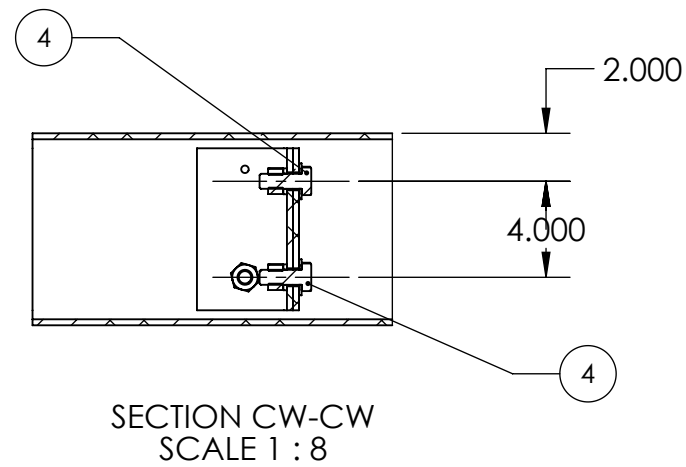
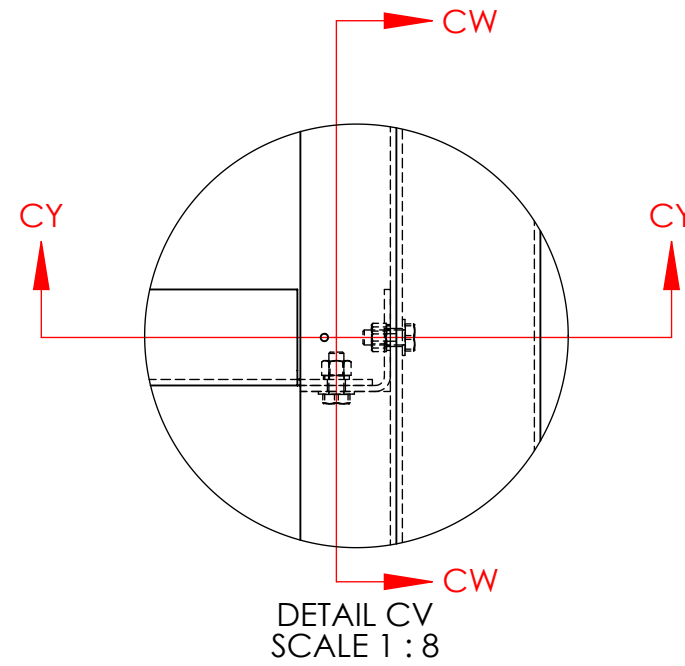


12948-170 Street NW
Edmonton, Alberta
Canada T5V 0B4

P: (780) 453-3886
F: (780) 455-7080
www.metalboss.com

PROPRIETARY AND CONFIDENTIAL
THE INFORMATION CONTAINED IN THIS DRAWING IS THE SOLE PROPERTY OF
METALBOSS TECHNOLOGIES INC. ANY REPRODUCTION IN PART OR AS A WHOLE
WITHOUT THE WRITTEN PERMISSION OF METALBOSS TECHNOLOGIES INC. IS
STRICTLY PROHIBITED.

CUSTOMER		FISHERIES AND OCEANS CANADA			
DESCRIPTION		24X24-S1 STRUCT AL FRAME/FOUNDATION			
WORK ORDER	13326	CLIENT REF.	-		
NEXT ASSY		FINAL ASSY			
UNITS	inch	QTY	SEE BOM	PART NO. 7125-SA-S02	
SCALE	1:75	REV			B
SHT	6 OF 7				



	NAME	DATE
DRAWN	WW	11/18/2016
CHECKED	-	-
MFG APPR.		
WEIGHT	1740.68	
MATERIAL	SEE PART DWG	
FINISH	NA	



12948-170 Street NW
Edmonton, Alberta
Canada T5V 0B4

P: (780) 453-3886
F: (780) 455-7080
www.metalboss.com

PROPRIETARY AND CONFIDENTIAL
THE INFORMATION CONTAINED IN THIS DRAWING IS THE SOLE PROPERTY OF
METALBOSS TECHNOLOGIES INC. ANY REPRODUCTION IN PART OR AS A WHOLE
WITHOUT THE WRITTEN PERMISSION OF METALBOSS TECHNOLOGIES INC. IS
STRICTLY PROHIBITED.

CUSTOMER		FISHERIES AND OCEANS CANADA	
DESCRIPTION		24X24-S1 STRUCT AL FRAME/FOUNDATION	
WORK ORDER	13326	CLIENT REF.	-
NEXT ASSY		FINAL ASSY	
UNITS	inch	QTY	
SCALE	1:55	SEE BOM	PART NO.
SHT	7 OF 7		7125-SA-S02
			REV
			B