

**GENERAL NOTES**

- [A] DESIGN**
- CONSTRUCTION AND DESIGN SHALL CONFORM TO NATIONAL BUILDING CODE OF CANADA [2010], PART 9.
  - SNOW LOAD : SS = 169 P.S.F. [8.1 KPa], SR = 16.7 P.S.F. [0.8 KPa]; L/240 MAXIMUM LIVE-LOAD DEFLECTION; MAXIMUM SPAN 4 FT. [1.2m].
  - WIND LOAD: Q[1/50] = 13.4 P.S.F. [0.64 KPa]; L/180 MAXIMUM DEFLECTION; MAXIMUM SPAN 12 FT. [3.66m].
  - SEISMIC: S<sub>a</sub>[0.2] = 1.20
  - OCCUPANCY LOAD = 100 P.S.F. [4.8 KPa]; L/360 MAXIMUM DEFLECTION; MAXIMUM SPAN 4'-4" [1.32m].

- [B] METALS AND FABRICATION**
- UNLESS OTHERWISE NOTED, ONLY NEW MATERIALS SHALL BE USED.
  - THE ENGINEER MAY INSPECT MATERIALS AND PRODUCTS [EXCLUDING OWNER-SUPPLIED MATERIALS] AT HIS DISCRETION AT ALL STAGES OF THEIR MANUFACTURE, TRANSPORTATION AND ASSEMBLY. SATISFACTORY INSPECTION AT ANY STAGE DOES NOT PRECLUDE FUTURE REJECTION IF THE MATERIALS OR PRODUCTS ARE SUBSEQUENTLY FOUND TO LACK UNIFORMITY OR FAIL TO CONFORM TO THE REQUIREMENTS SPECIFIED.
  - ALUMINUM MANUFACTURING SOURCES AND CERTIFICATES SHALL BE SUBMITTED TO THE ENGINEER FOR REVIEW AND RECORD.
  - ALUMINUM ALLOY SHALL CONFORM TO THE ALUMINUM ASSOCIATION PUBLICATION "ALUMINUM STANDARDS AND DATA, ISO 6362-2"
  - ITEMS MANUFACTURED OR FABRICATED FROM SCRAP METAL OF UNKNOWN CHEMICAL COMPOSITION OR PHYSICAL PROPERTIES ARE NOT ACCEPTABLE.
  - ALUMINUM WELDING TO CSA W59.2M-11991 [R2008] BY FABRICATORS QUALIFIED TO DIVISION 2 OF CSA W47.2
  - FABRICATION PRACTICES AND TOLERANCES SHALL FOLLOW THOSE OF STEEL, AS IN CSA STANDARD CAN3-S16.1-M
  - FORMING OF ALUMINUM SHALL BE CARRIED OUT AT ROOM TEMPERATURE.
  - ALL FORMED SHEET ALUMINUM INCLUDING BEAMS, COLUMNS AND BRACING SHALL BE LAID OUT AND CUT AS FLAT SHEET AND THEN BENT INTO FINAL SHAPE USING STANDARD AIR BRAKE BENDING DIES. ALL FLAT SHEET ALUMINUM COMPONENTS SHALL BE CUT BY THE CNC MILLING PROCESS. FLAME CUTTING AND PLASMA CUTTING WILL NOT BE PERMITTED FOR ALL MAJOR STRUCTURAL COMPONENTS.
  - ALL ALUMINUM PLATE 1/4" [6 mm.] OR LESS IN THICKNESS SHALL HAVE A MINIMUM PERMISSIBLE INSIDE BENDING RADIUS OF 1 1/2 TIMES THE MATERIAL THICKNESS. THE RADIUS IS THE MINIMUM RECOMMENDED FOR BENDING PLATES WITHOUT FRACTURING IN A STANDARD PRESS BRAKE WITH AIR BEND DIES. OTHER TYPES OF BENDING OPERATIONS MAY REQUIRE LARGER RADII. THE MINIMUM PERMISSIBLE RADII WILL ALSO VARY WITH THE DESIGN AND THE CONDITION OF TOOLING. FOR MORE DETAILED REQUIREMENTS REFER TO THE CONTRACT SPECIFICATIONS.
  - THE FABRICATOR SHALL PROVIDE TEST SAMPLES OF A FULL SIZE BEAM AND COLUMN TO THE ENGINEER FOR APPROVAL PRIOR TO PROCEEDING WITH THE PRODUCTION WORK. THE FABRICATOR SHALL DEMONSTRATE TO THE SATISFACTION OF THE ENGINEER'S DESIGNATED TESTING LAB THAT THE ALUMINUM PLATE BENDS ARE FREE OF STRESS FRACTURES.
  - BENDS SHALL BE SMOOTH WITHOUT SHARP KINKS. CRACKS SHALL BE CAUSE FOR REJECTION IF THE CRACK LIES IN A ZONE THAT IS STRESSED IN SERVICE.
  - SUBMIT SHOP DRAWINGS BEARING STAMP AND SIGNATURE OF QUALIFIED PROFESSIONAL ENGINEER REGISTERED OR LICENSED IN THE PROVINCE OF BC
  - STAINLESS STEEL BOLTS SHALL CONFORM TO A516.
  - ALL STRUCTURAL BOLTS, NUTS AND WASHERS SHALL A316 GRADE STAINLESS STEEL HEXAGON HEAD FASTENERS.
  - ALUMINUM EXTRUSIONS AND PLATE THICKER THAN 1/4" [6 mm.] SHALL BE ALCAN STRUCTURAL ALLOY 6061-T6.
  - ALL BENT ALUMINUM SHEET [1/4 mm. OR LESS] SHALL BE ALCAN ALLOY 5052-H32.
  - SAMPLE TESTING SHALL BE CONDUCTED BY THE ENGINEER'S DESIGNATED CERTIFIED TESTING SERVICES PROVIDER.
  - ALUMINUM FABRICATION AND ASSEMBLY SHALL CONFORM TO C.S.A. SPECIFICATION S157.
  - ALUMINUM WELDING SHALL BE EITHER: GMAW [MIG] OR GTAW [TIG] PROCESS USING S356 FILLER ROD.
  - ALL BURRS, SHARP CORNERS, ROUGH EDGES & WELD SPATTER TO BE GROUND SMOOTH.

- [C] PAINT**
- ALL ROOF BEAMS AND COLUMNS SHALL BE ELECTROSTATICALLY PAINTED [POWDER COATED], COLOUR: WHITE, SHEEN: GLOSS.
  - ALL ALUMINUM SURFACES THAT REQUIRE POWDER COATING SHALL BE PREPARED BY SAND BLASTING AND PRETREATMENT.
  - PAINTING SHALL BE THE SAME OR EQUIVALENT TO AMERICAN ARCHITECTURAL MANUFACTURERS ASSOCIATION SPECIFICATION AAMA 2604 OR APPROVED EQUAL.

- [D] ERECTION**
- THE ERECTOR SHALL MAINTAIN BUILDING SQUARENESS WILL ERECTING THE STRUCTURAL FRAME. THE ERECTOR SHALL PROVIDE DETAILS TO THE ENGINEER OF THE METHOD USED TO KEEP THE BUILDING SQUARE DURING AND AFTER ERECTION. TEMPORARY BRACING IN THE FORM OF TENSION WIRES AND TURNBUCKLES MAY BE USED BUT MUST BE KEPT CLEAR OF THE EXTERIOR FACE OF THE STRUCTURE TO PROVIDE SPACE FOR THE BUILDING ENVELOPE TO BE INSTALLED. EXTRA HOLES MAY BE ADDED TO THE FRAMEWORK TO INSTALL BRACING BUT HOLE SIZE AND LOCATIONS MUST BE APPROVED BY THE ENGINEER. AFTER THE BUILDING ENVELOPE HAS BEEN INSTALLED THE TEMPORARY BRACING SHALL BE REMOVED.

**LEGEND (NOT ALL SYMBOLS USED)**

B/	BACK OF
B/O	BOTTOM OF
C/O	CENTER TO OUT DISTANCE
C/W	COMPLETE WITH
COL.	COLUMN
CONN.	CONNECTION
CONT.	CONTINUOUS
DWG.	DRAWING
EL.	ELEVATION
EPS	EXPANDED POLYSTYRENE
EXIST.	EXISTING
F.S.	FAR SIDE
I.D.	INSIDE DIAMETER
INV.	INVERT
L.G.	LONG
MAX.	MAXIMUM
MIN.	MINIMUM
N.S.	NEAR SIDE
N.T.S.	NOT TO SCALE
NOM.	NOMINAL
O.D.	OUTSIDE DIAMETER
O/O	OUT TO OUT DISTANCE
OC	ON CENTER
OC	REQUIRED
REQ'D	REQUIRED
S.S.	STAINLESS STEEL
SYMM.	SYMMETRICAL
T.O.S.	TOP OF STEEL
T/O	TOP OF
TYP.	TYPICAL
U.N.O.	UNLESS NOTED OTHERWISE
U/S	UNDERSIDE OF

ALL ROOF BEAMS AND COLUMNS SHALL BE ELECTROSTATICALLY PAINTED. REFER TO THE GENERAL NOTES

FOR BRACING CONNECTIONS REFER TO ROOF PLAN ON DRAWING 4-30-16-SF SH2 AND CONNECTION DETAILS ON DRAWING 4-30-16-SF SH7, SH8 & SH9.

ALL FORMED ROOF SUPPORT CHANNELS FROM 1/4" [6 mm.] PLATE. REFER TO DRAWING 4-30-16-SF SH2

ALL FORMED CHANNEL COLUMNS 4" [102 mm.] WIDE x 4" [102 mm.] DEEP x 1/4" [6 mm.] THICK. REFER TO COLUMN PLAN ON DRAWING 4-30-16-SF SH4.

FOR COLUMN BASE MK-CB3 REFER TO DRAWING 4-30-16-SF SH11

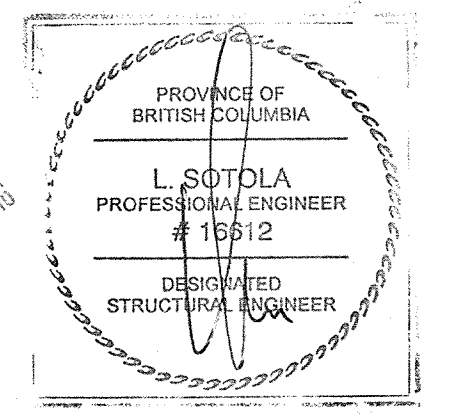
ALL FORMED FLOOR SUPPORT CHANNELS 8" [203 mm.] HIGH x 4" [102 mm.] WIDE x 1/4" [6 mm.] THICK REFER TO DRAWING 4-30-16-SF SH3

FORMED WALL SUPPORT CHANNELS 6" [152 mm.] WIDE x 3" [76 mm.] HIGH x 1/4" [6 mm.] THICK ALL AROUND BASE OF BUILDING. REFER TO FLOOR PLAN ON DRAWING 4-30-16-SF SH3.

FOR COLUMN BASE MK-CB1 REFER TO DRAWING 4-30-16-SF SH10

DRAWING INDEX	
DWG. / SHEET #	DESCRIPTION
4-30-16-SF SH1	MODEL 24X72-S1, STRUCTURAL ALUMINUM FRAME, 3D GENERAL ARRANGEMENT, GENERAL NOTES, DRAWING INDEX AND LEGEND
4-30-16-SF SH2	MODEL 24X72-S1, STRUCTURAL ALUMINUM FRAME, ROOF FRAMING PLAN AND ROOF FRAMING DETAIL
4-30-16-SF SH3	MODEL 24X72-S1, STRUCTURAL ALUMINUM FRAME, FLOOR FRAMING PLAN AND FLOOR FRAMING DETAIL
4-30-16-SF SH4	MODEL 24X72-S1, STRUCTURAL ALUMINUM FRAME, COLUMN PLAN AND DETAILS
4-30-16-SF SH5	MODEL 24X72-S1, STRUCTURAL ALUMINUM FRAME, COLUMN BASES PLAN AND CABLE BRACING GUSSET PLATE PLAN, SECTIONS AND DETAILS
4-30-16-SF SH6	MODEL 24X72-S1, STRUCTURAL ALUMINUM FRAME, HALF CROSS SECTIONS
4-30-16-SF SH7	MODEL 24X72-S1, STRUCTURAL ALUMINUM FRAME, KNEE BRACING AND ROOF BEAM CONNECTION DETAILS, SHEET 1 OF 2
4-30-16-SF SH8	MODEL 24X72-S1, STRUCTURAL ALUMINUM FRAME, KNEE BRACING AND ROOF BEAM CONNECTION DETAILS, SHEET 2 OF 2
4-30-16-SF SH9	MODEL 24X72-S1, STRUCTURAL ALUMINUM FRAME, ROOF FRAMING AND FLOOR FRAMING, SECTIONS AND DETAILS
4-30-16-SF SH10	MODEL 24X72-S1, STRUCTURAL ALUMINUM FRAME, COLUMN BASE MK-CB1, SECTIONS AND DETAILS
4-30-16-SF SH11	MODEL 24X72-S1, STRUCTURAL ALUMINUM FRAME, COLUMN BASE MK-CB2 AND COLUMN BASE MK-CB3, SECTIONS AND DETAILS

**3D VIEW - PARALLEL PROJECTION**  
SCALE: NONE



**FISHERIES AND OCEANS CANADA**  
REAL PROPERTY, SAFETY & SECURITY

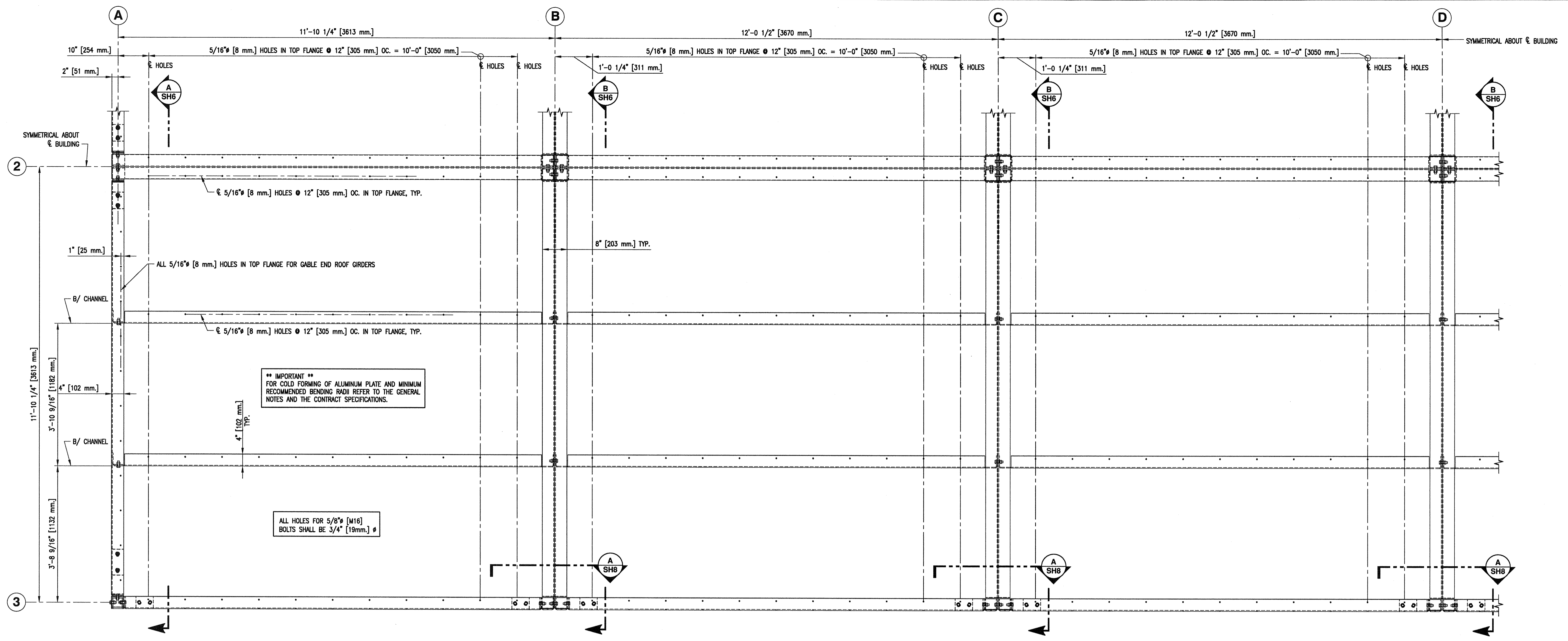
**PREFABRICATED BUILDING**  
MODEL 24X72-S1  
STRUCTURAL ALUMINUM FRAME  
3D GENERAL ARRANGEMENT  
GENERAL NOTES, DRAWING INDEX  
AND LEGEND

SCALE: NONE  
DATE: MAY 11, 2015  
DWG. NUMBER: 4-30-16-SF  
SHEET: 1 of 11  
SIZE: D

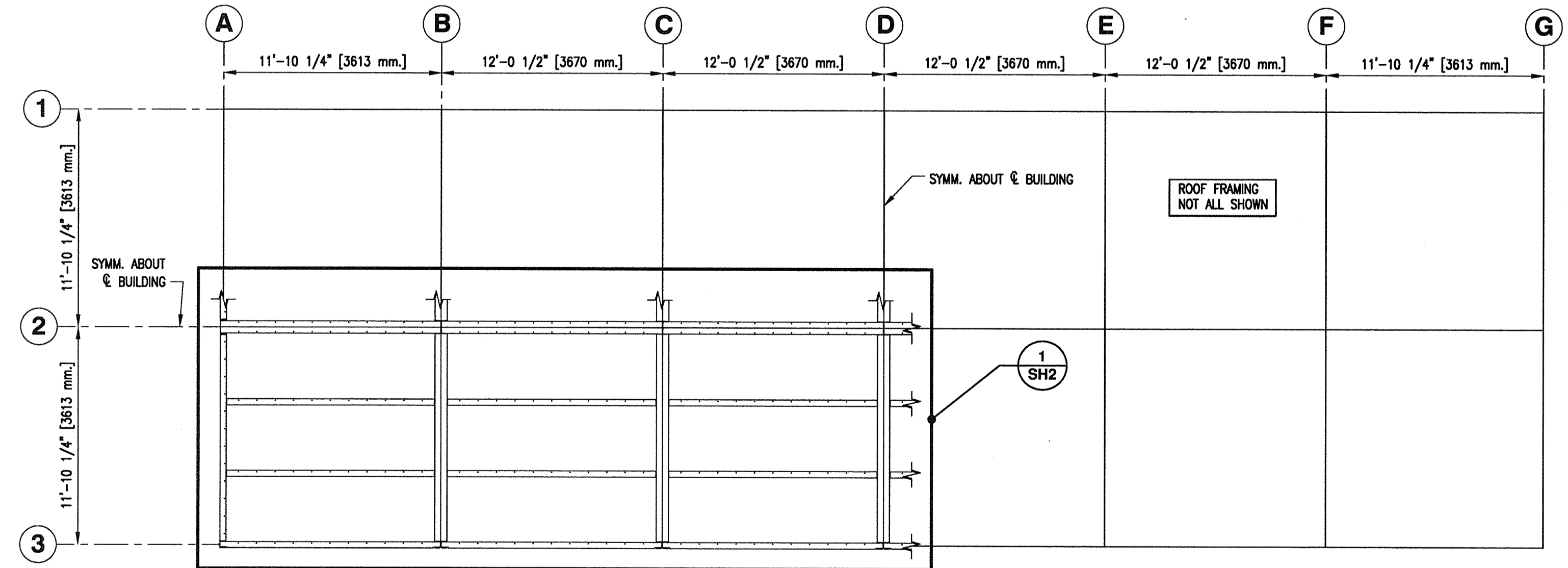
DESIGNED: M. Liang  
DRAWN: G. Reichhardt  
CHECKED:  
RECOMMENDED:  
APPROVED:  
APPROVED:

DWG. NO.	DRAWING REFERENCES	NOTES	NO.	DATE	REVISIONS

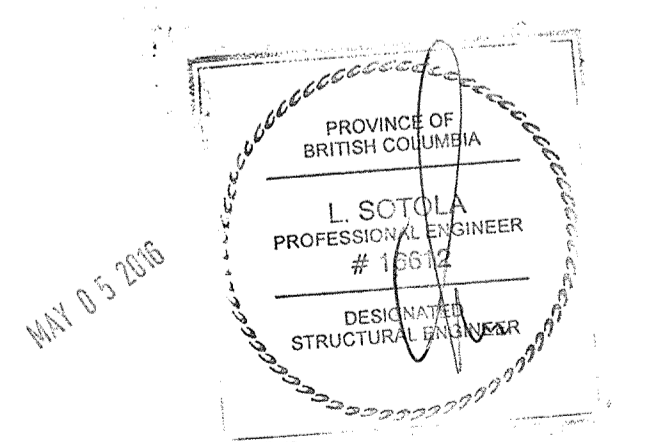




**ROOF FRAMING DETAIL 1**  
SCALE 1:16  
SH2 [1/4 ROOF PLAN]



**ROOF FRAMING PLAN**  
SCALE 1:64



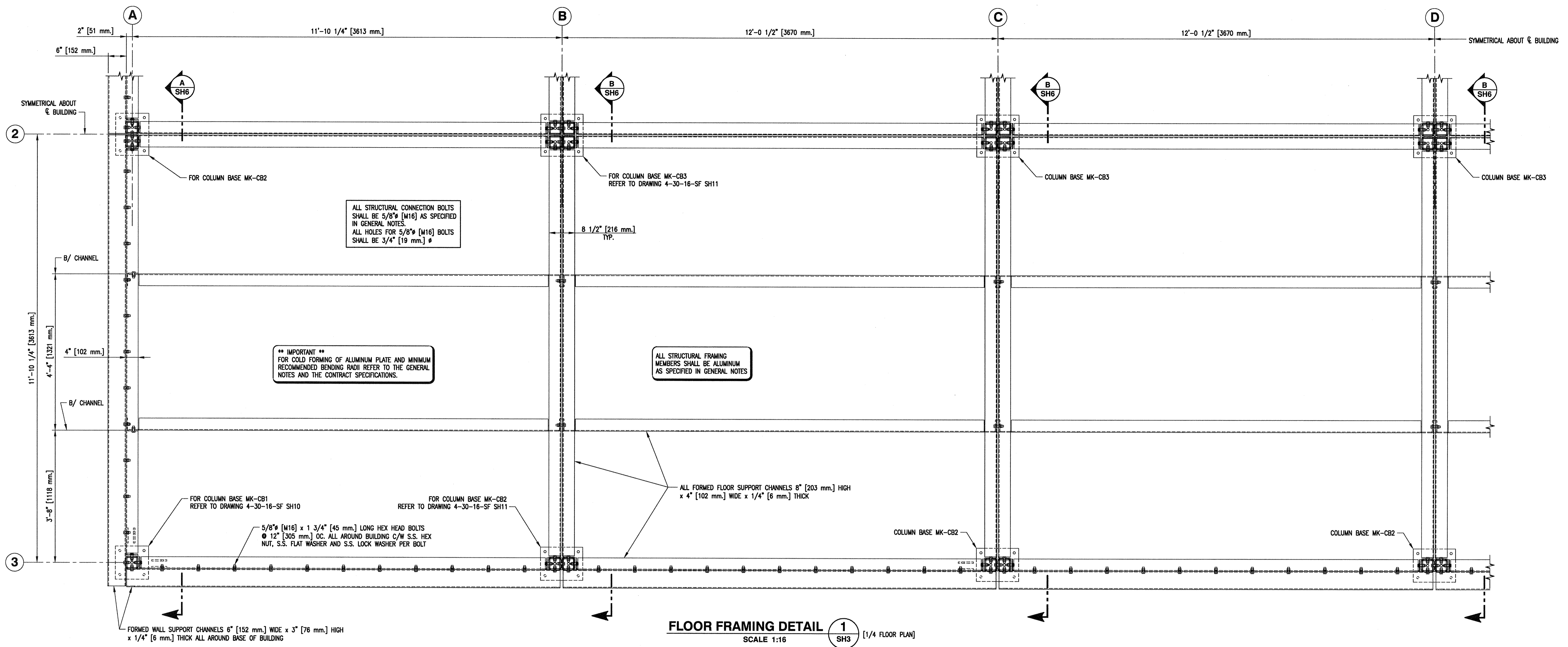
**FISHERIES AND OCEANS CANADA**  
REAL PROPERTY, SAFETY & SECURITY

**PREFABRICATED BUILDING**  
MODEL 24X72-S1  
STRUCTURAL ALUMINUM FRAME  
ROOF FRAMING PLAN  
AND ROOF FRAMING DETAIL

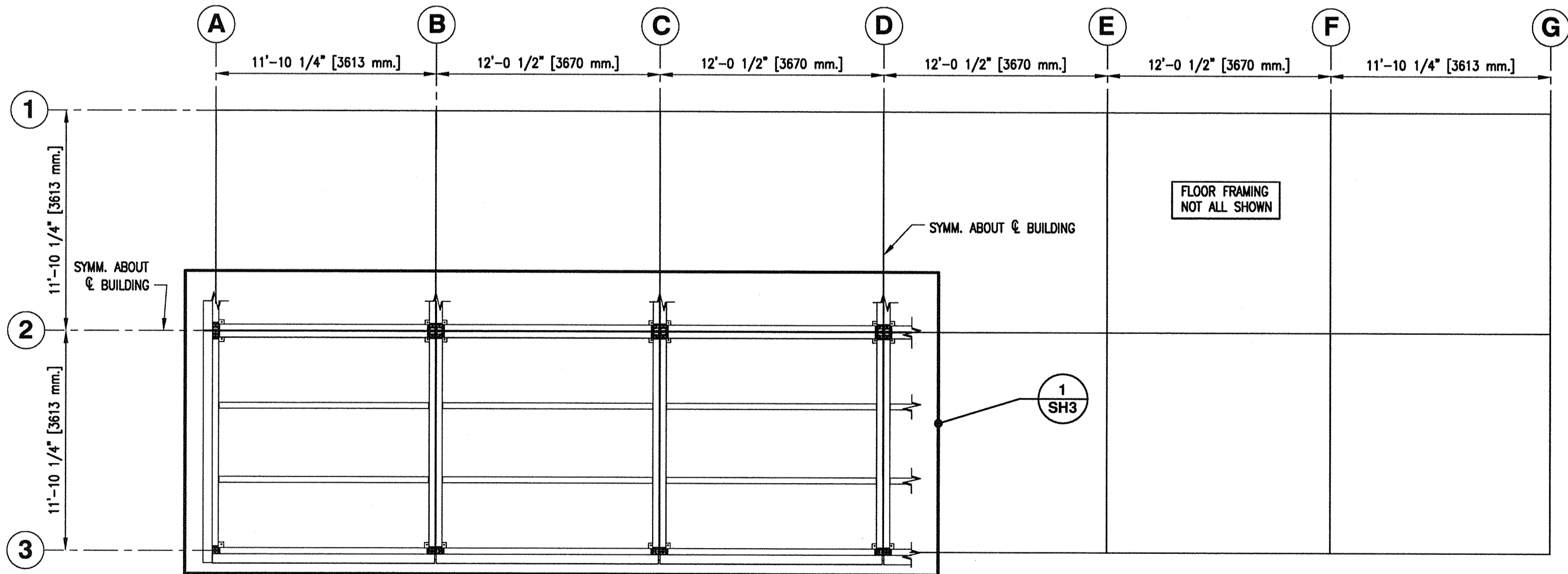
DESIGNED M. Liang	SCALE AS NOTED
DRAWN G. Reichhardt	
CHECKED	DATE MAY 11, 2015
RECOMMENDED	DWG. NUMBER 4-30-16-SF
APPROVED	SHEET 2 of 11
APPROVED	SIZE D
	REVISION

1. FOR GENERAL NOTES AND LEGEND REFER TO DRAWING 4-30-16-SF SH1.

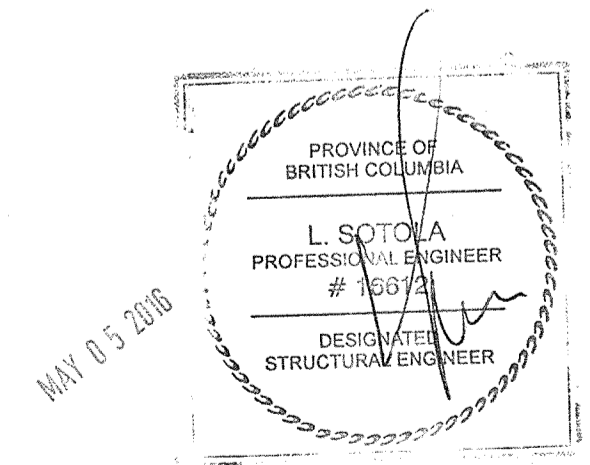
DWG. NO.	DRAWING REFERENCES	NOTES	NO.	DATE	REVISIONS



**FLOOR FRAMING DETAIL 1**  
SCALE 1:16 (1/4 FLOOR PLAN)



**FLOOR FRAMING PLAN**  
SCALE 1:64



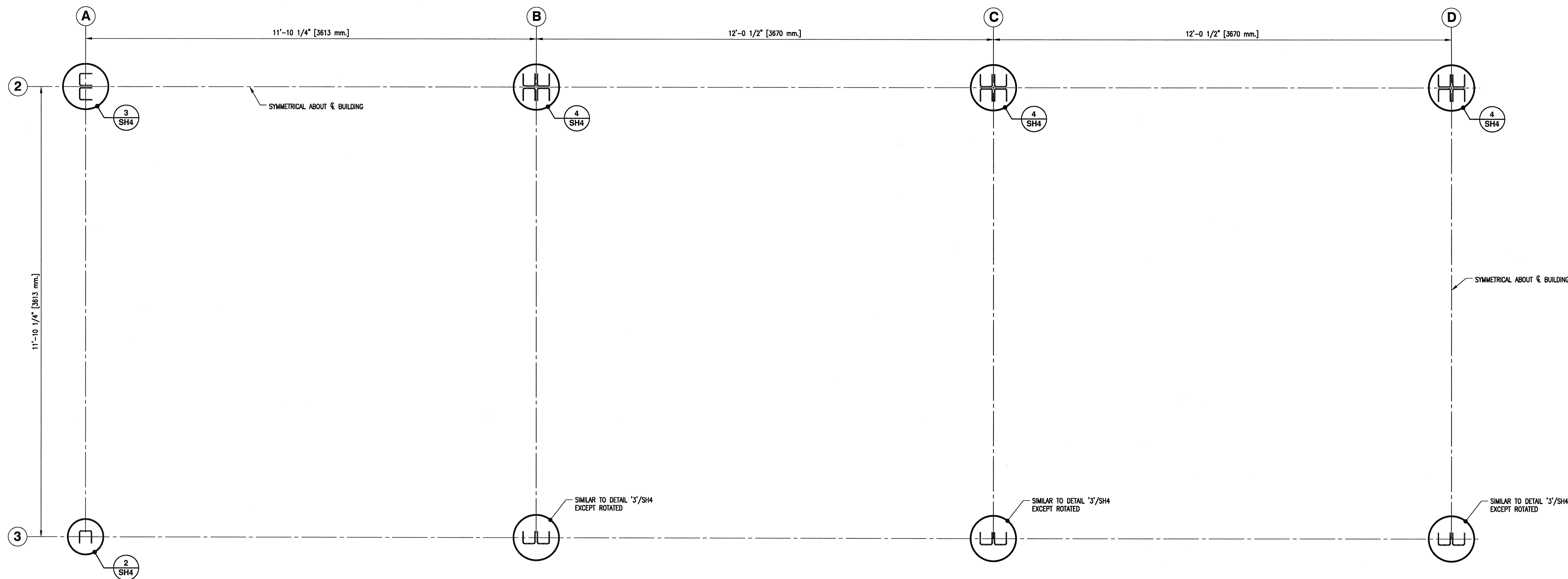
**FISHERIES AND OCEANS CANADA**  
REAL PROPERTY, SAFETY & SECURITY

**PREFABRICATED BUILDING**  
MODEL 24X72-S1  
STRUCTURAL ALUMINUM FRAME  
FLOOR FRAMING PLAN AND  
FLOOR FRAMING DETAIL

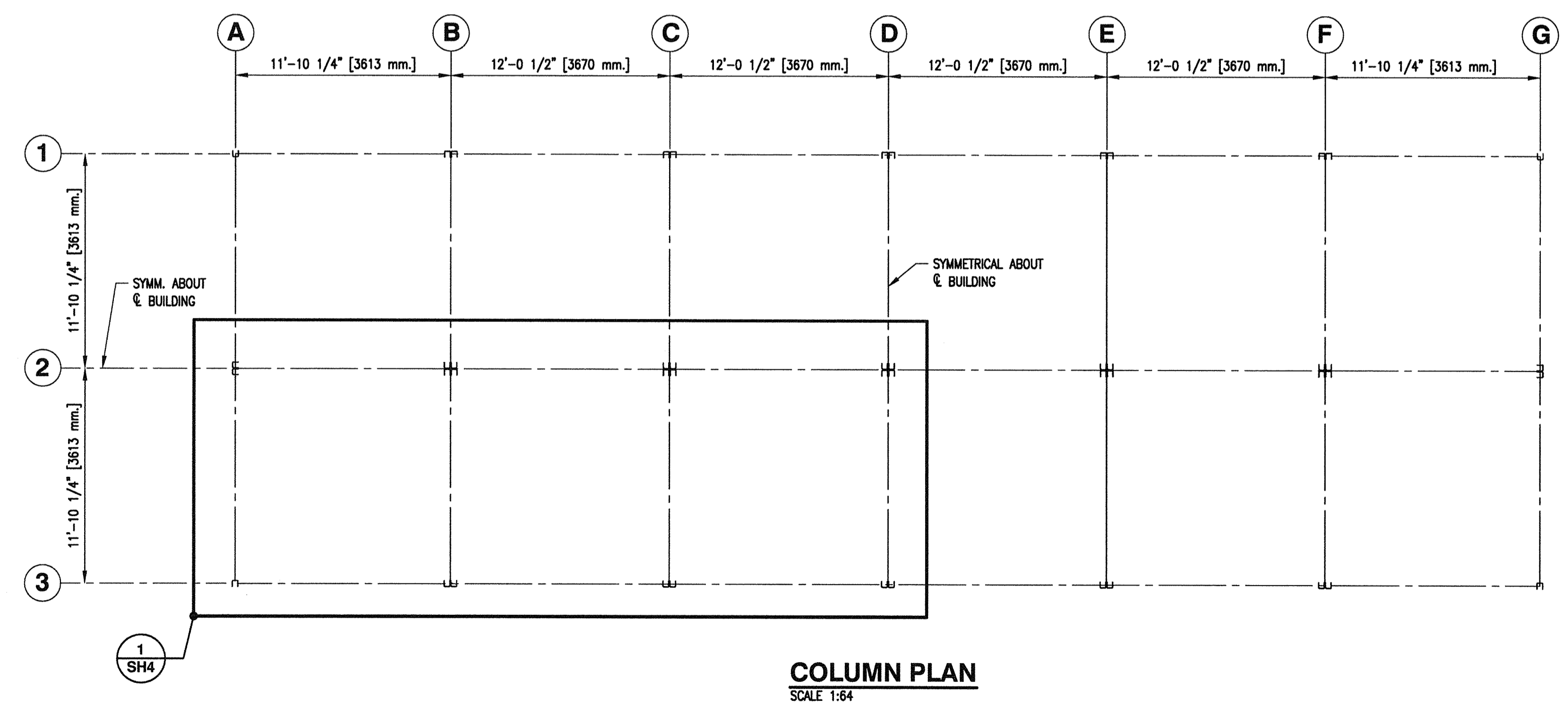
DESIGNED M. Liang	SCALE AS NOTED
DRAWN G. Reichhardt	DATE MAY 11, 2015
CHECKED	DWG. NUMBER 4-30-16-SF
RECOMMENDED	SHEET 3 of 11
APPROVED	SIZE D
APPROVED	REVISION

1. FOR GENERAL NOTES AND LEGEND REFER TO DRAWING 4-30-16-SF SH1.

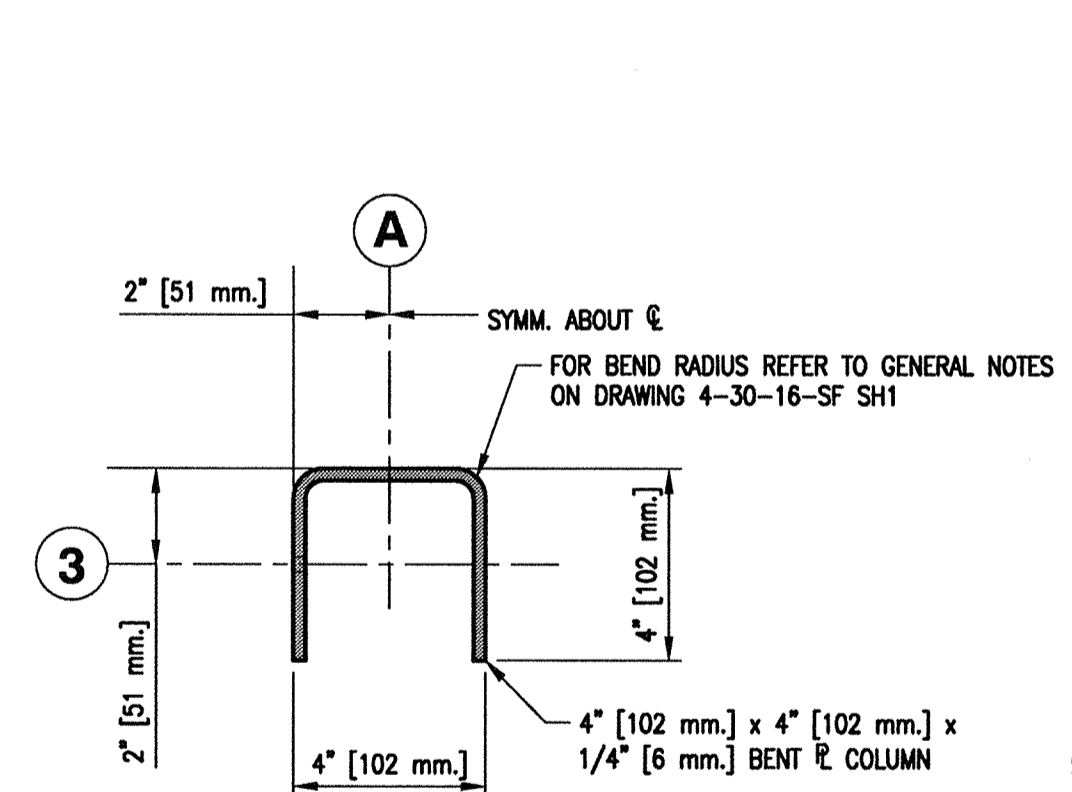
DWG. NO.	DRAWING REFERENCES	NOTES	NO.	DATE	REVISIONS



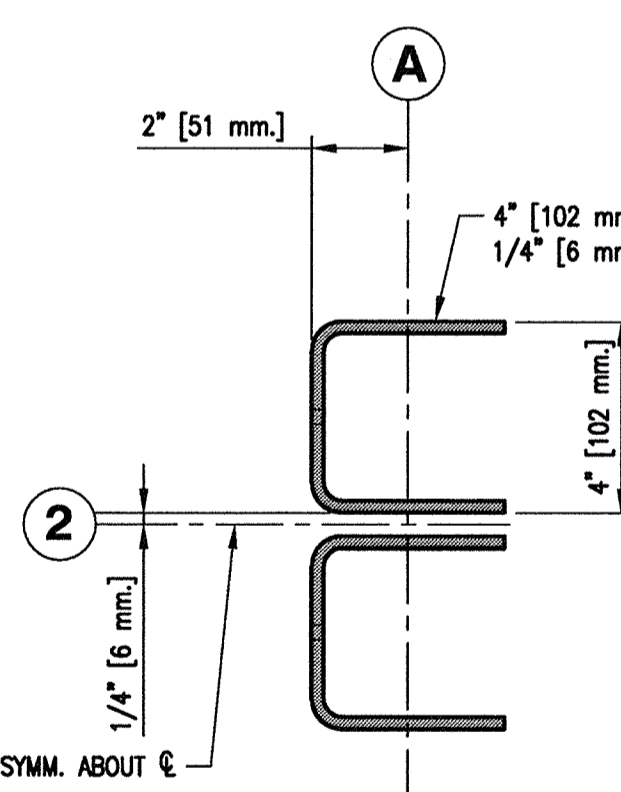
**DETAIL 1**  
SCALE 1:16  
SH4



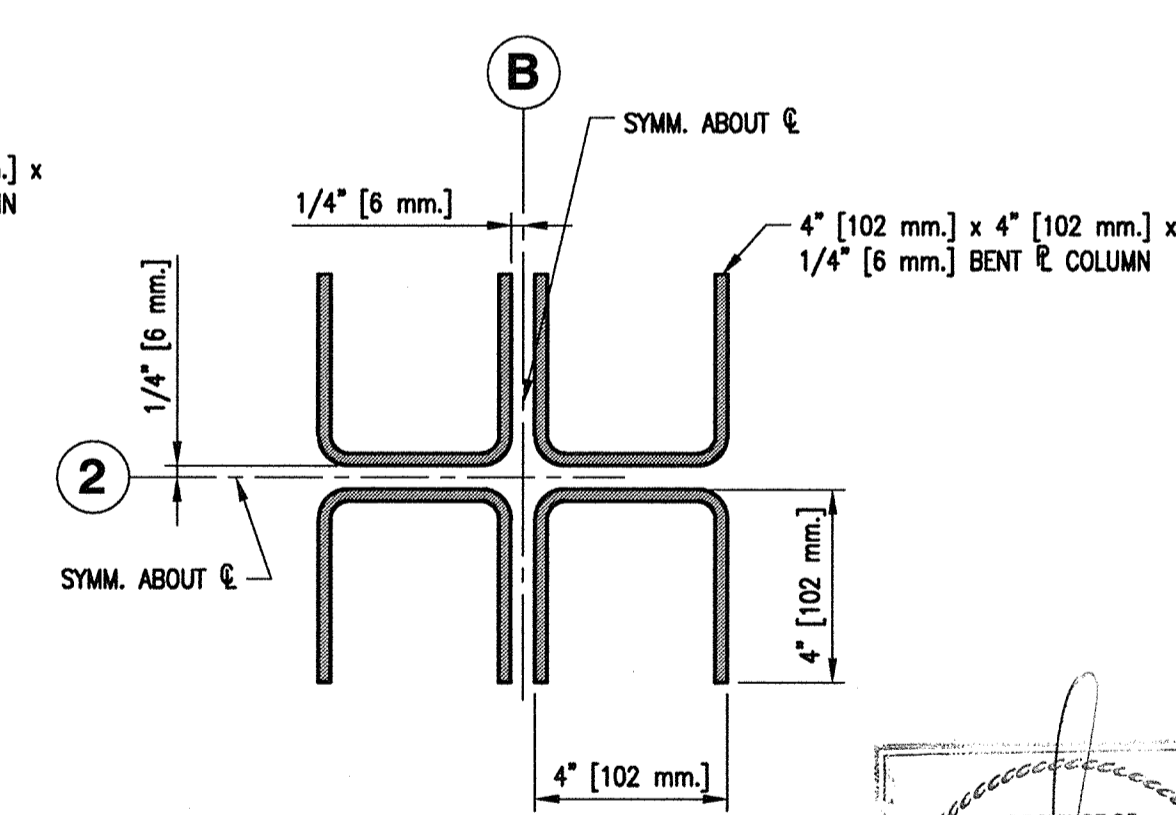
**COLUMN PLAN**  
SCALE 1:64



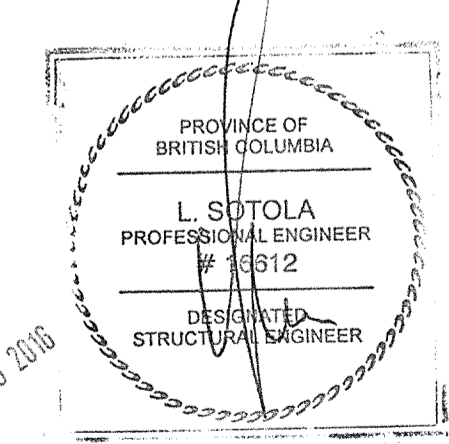
**DETAIL 2**  
SCALE 1:4  
SH4



**DETAIL 3**  
SCALE 1:4  
SH4



**DETAIL 4**  
SCALE 1:4  
SH4



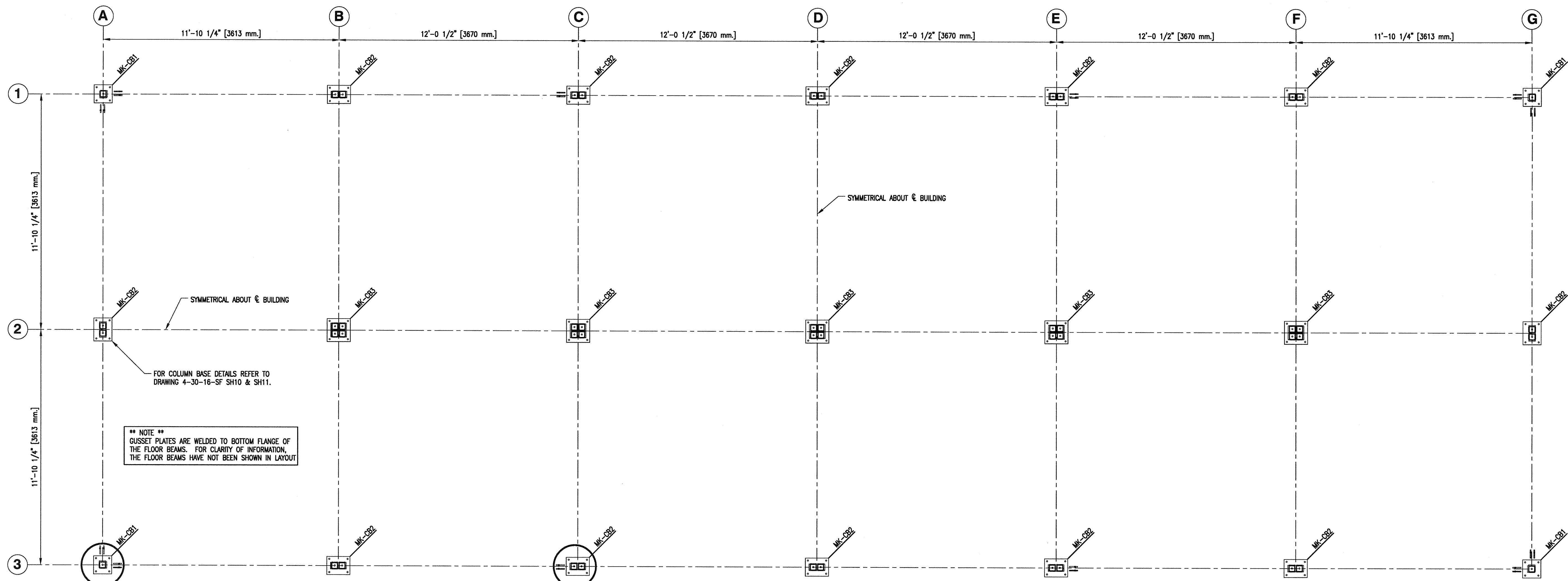
1. FOR GENERAL NOTES AND LEGEND REFER TO DRAWING 4-30-16-SF SH1.

**\*\* IMPORTANT \*\***  
FOR COLD FORMING OF ALUMINUM PLATE AND  
MINIMUM RECOMMENDED BENDING RADIUS REFER TO THE  
GENERAL NOTES AND THE CONTRACT SPECIFICATIONS.

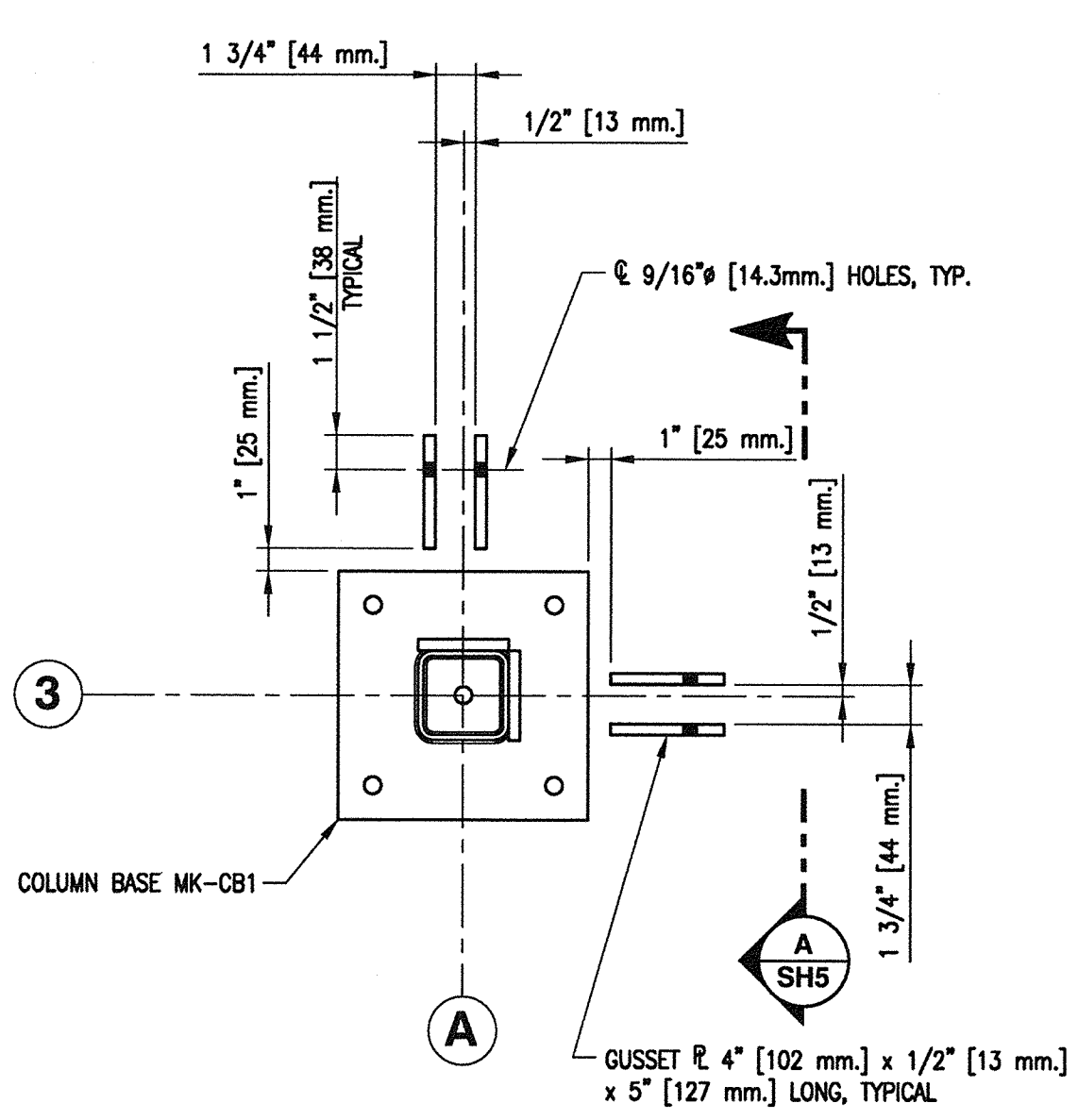
<b>FISHERIES AND OCEANS CANADA</b> REAL PROPERTY, SAFETY & SECURITY	
<b>PREFABRICATED BUILDING MODEL 24X72-S1 STRUCTURAL ALUMINUM FRAME COLUMN PLAN AND DETAILS</b>	
DESIGNED M. Liang	SCALE AS NOTED
DRAWN G. Reichhardt	DATE MAY 11, 2015
CHECKED	DWG. NUMBER 4-30-16-SF
RECOMMENDED	SHEET 4 of 11
APPROVED	SIZE D
APPROVED	REVISION

DWG. NO.	DRAWING REFERENCES	NOTES	NO.	DATE	REVISIONS

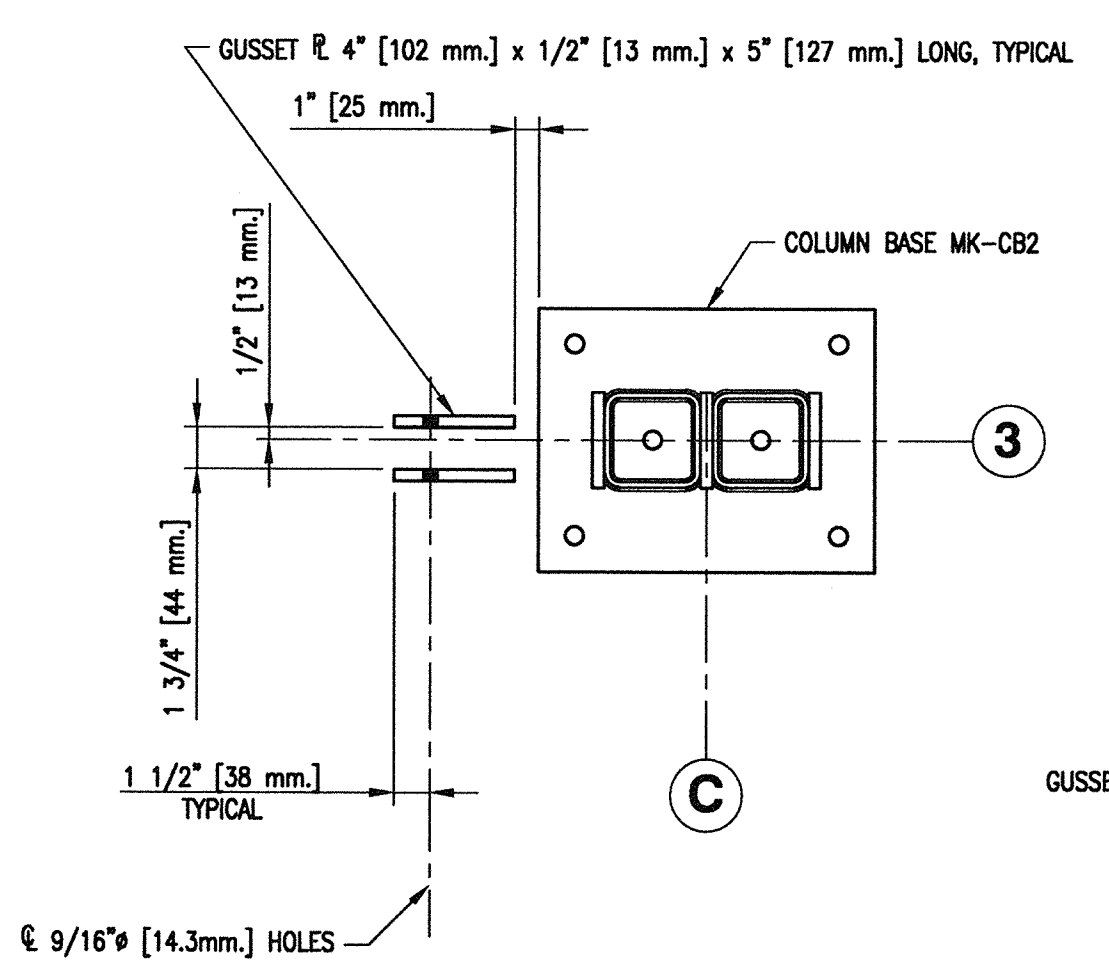




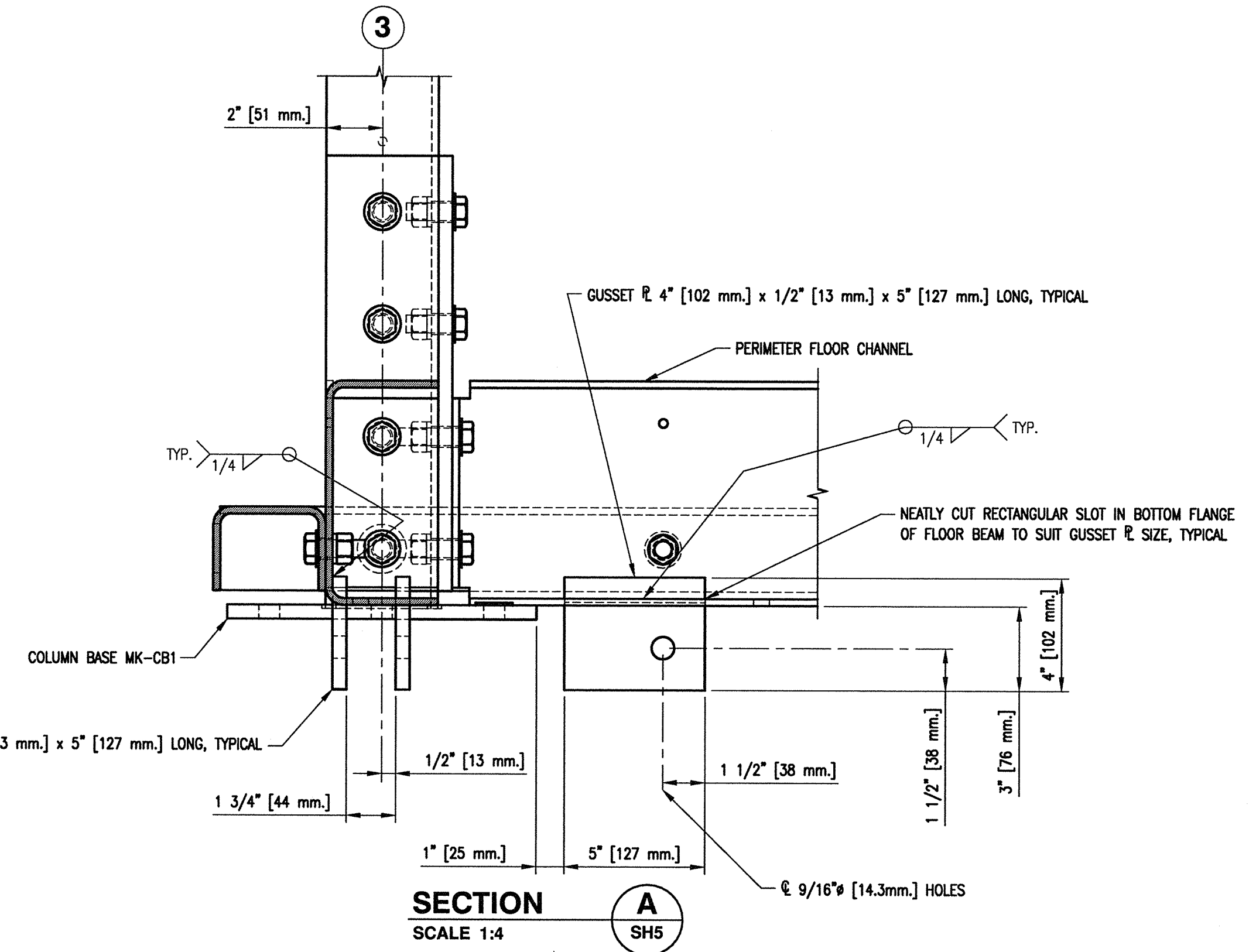
**COLUMN BASES AND CABLE BRACING GUSSET PLATE PLAN**  
SCALE 1:32



**DETAIL 1**  
SCALE 1:8  
SH5 (FOUR [4] LOCATIONS)

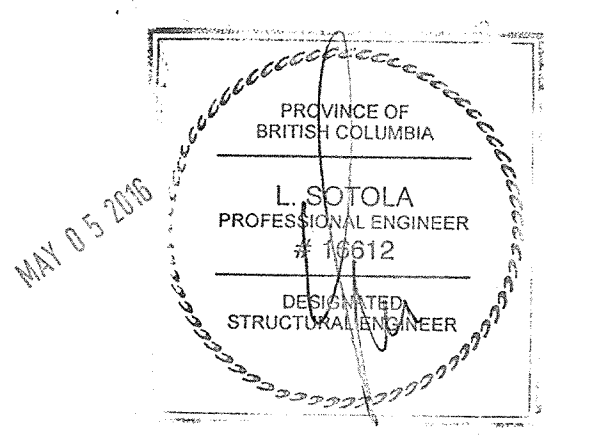


**DETAIL 2**  
SCALE 1:8  
SH5 (FOUR [4] LOCATIONS)



**SECTION A**  
SCALE 1:4  
SH5

**TYPICAL GUSSET PLATE CONNECTIONS TO FLOOR BEAMS**



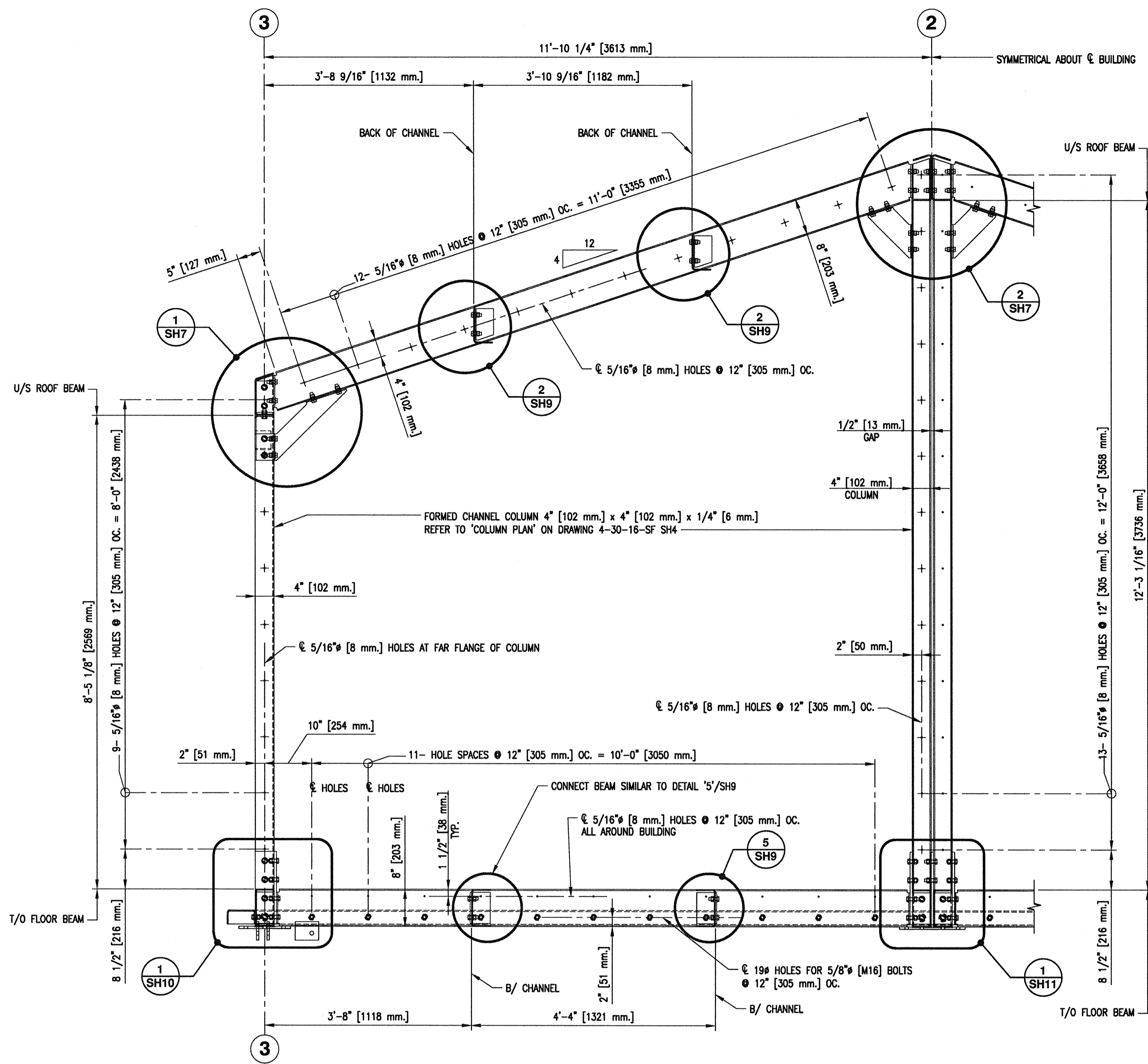
**FISHERIES AND OCEANS CANADA**  
REAL PROPERTY, SAFETY & SECURITY

**PREFABRICATED BUILDING**  
MODEL 24X72-S1  
STRUCTURAL ALUMINUM FRAME  
COLUMN BASES PLAN AND  
CABLE BRACING GUSSET PLATE PLAN  
SECTION AND DETAILS

DESIGNED M. Liang	SCALE AS NOTED
DRAWN G. Reichhardt	DATE MAY 11, 2015
CHECKED	DWG. NUMBER 4-30-16-SF
RECOMMENDED	SHEET 5 of 11
APPROVED	SIZE D
APPROVED	REVISION

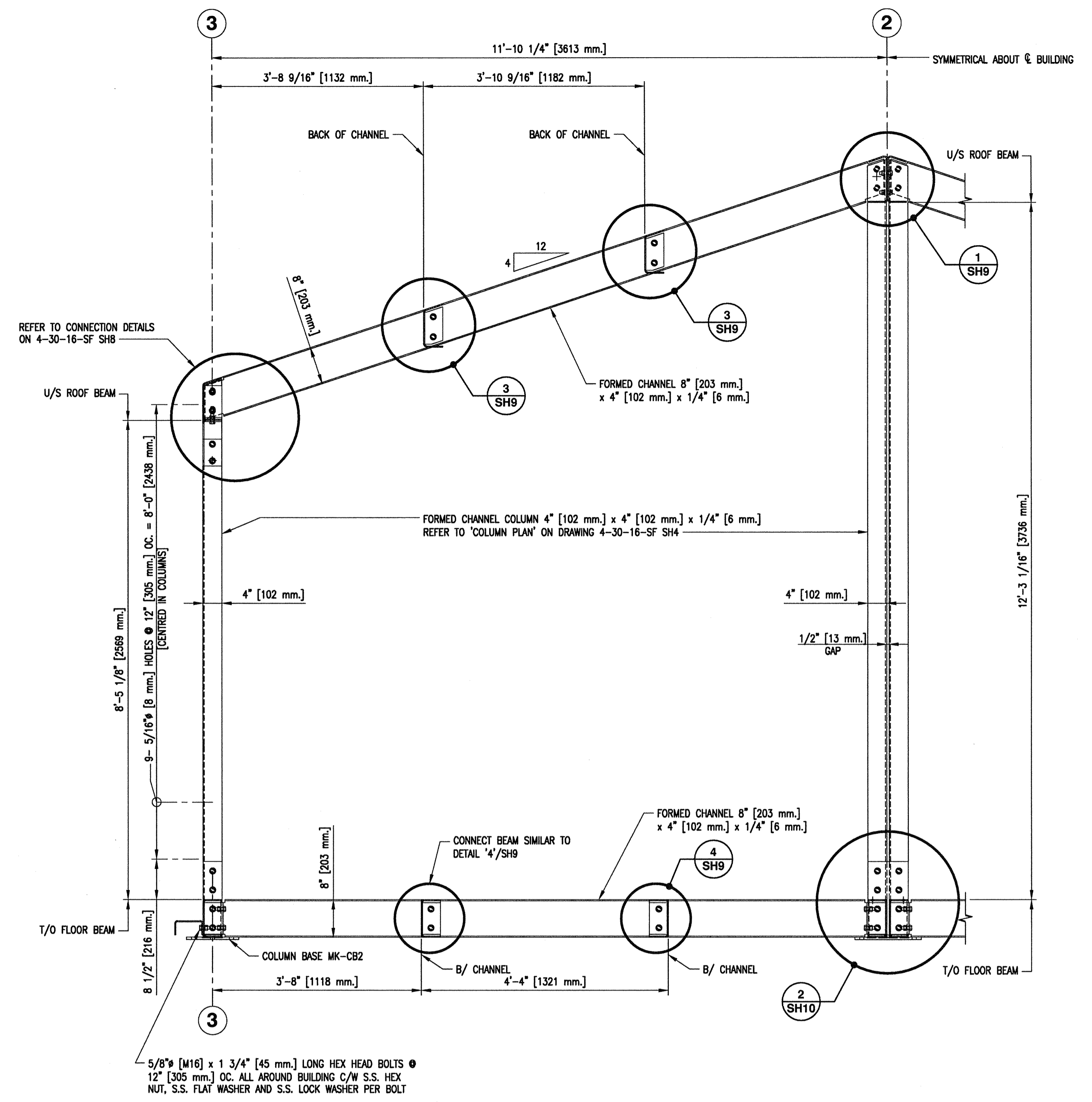
1. FOR GENERAL NOTES AND LEGEND REFER TO DRAWING 4-30-16-SF SH1.

DWG. NO.	DRAWING REFERENCES	NOTES	NO.	DATE	REVISIONS



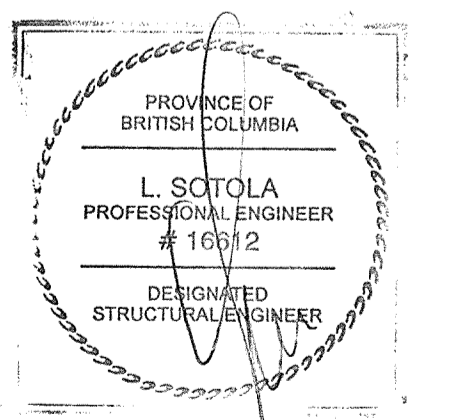
**GABLE END**

**HALF CROSS SECTION A** [NEAR BAYLINE 'A', 'G']  
SCALE 1:16 SH2, SH3.



**INTERMEDIATE LOCATIONS**

**HALF CROSS SECTION B** [NEAR BAYLINE 'B', 'C', 'D', 'E', 'F']  
SCALE 1:16 SH2, SH3.



1. FOR GENERAL NOTES AND LEGEND REFER TO DRAWING 4-30-16-SF SH1.

DWG. NO.	DRAWING REFERENCES	NOTES	NO.	DATE	REVISIONS

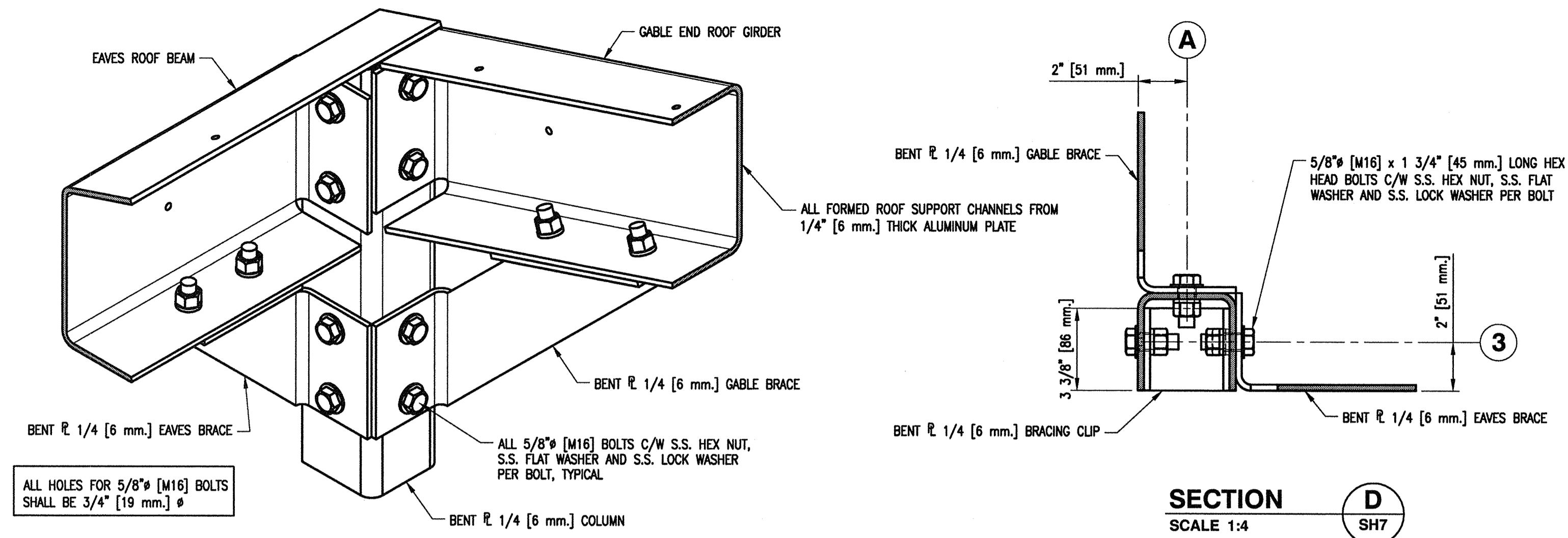
DESIGNED	M. Liang
DRAWN	G. Reichhardt
CHECKED	
RECOMMENDED	
APPROVED	
APPROVED	

**FISHERIES AND OCEANS CANADA**  
REAL PROPERTY, SAFETY & SECURITY

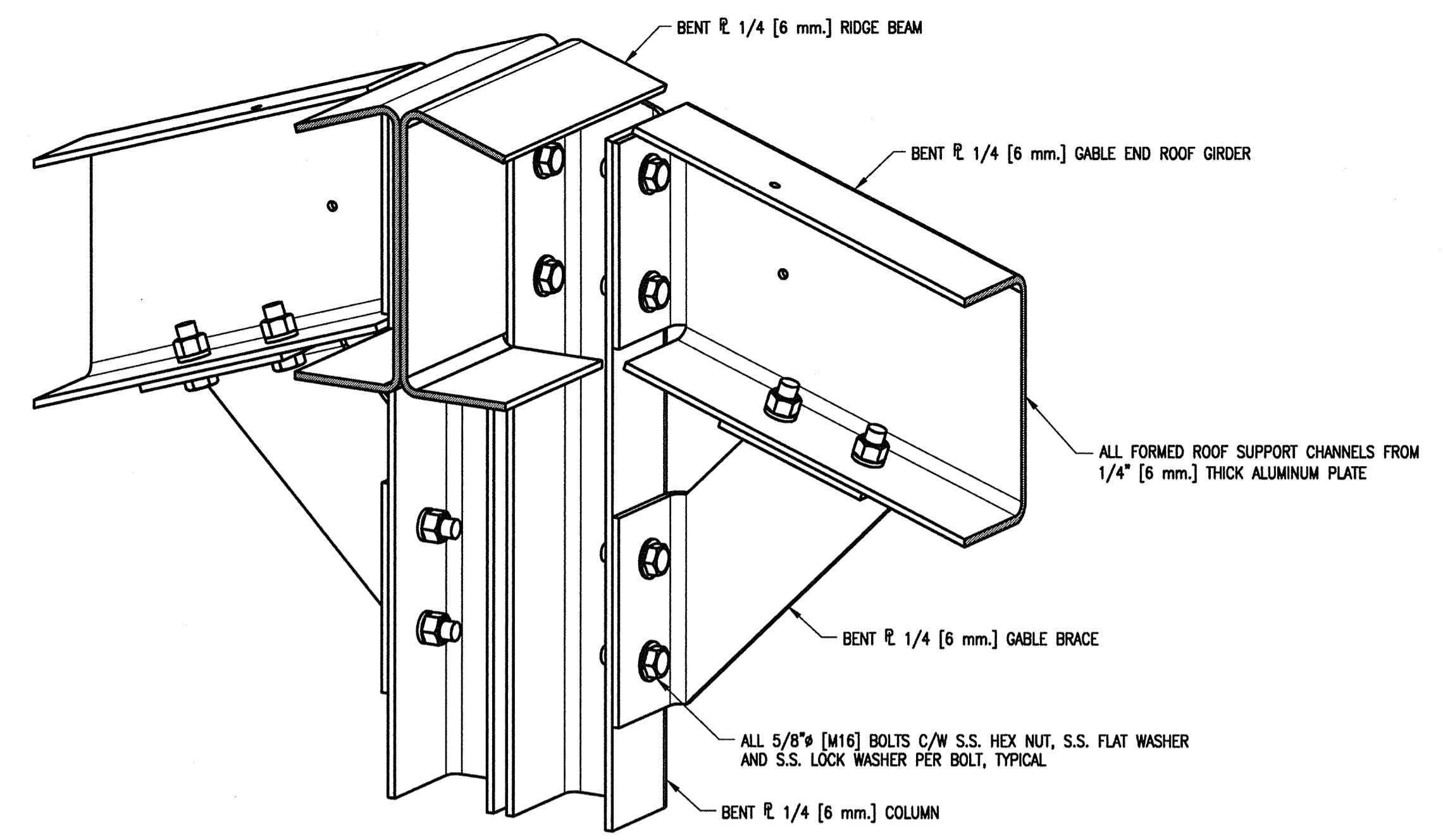
**PREFABRICATED BUILDING  
MODEL 24X72-S1  
STRUCTURAL ALUMINUM FRAME  
HALF CROSS SECTIONS**

SCALE	AS NOTED
DATE	MAY 11, 2015
DWG. NUMBER	4-30-16-SF
SHEET	6 of 11
SIZE	D
REVISION	

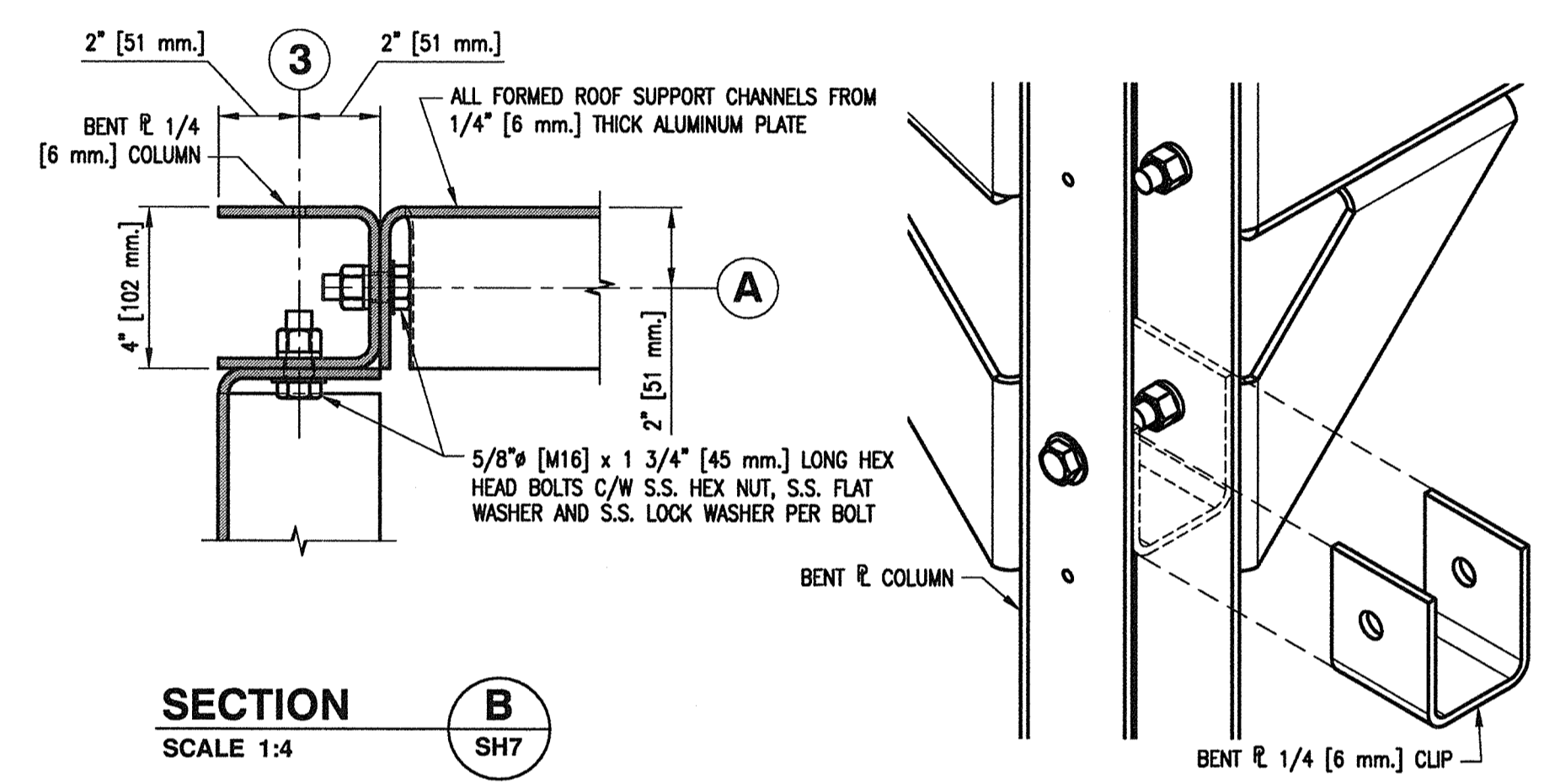




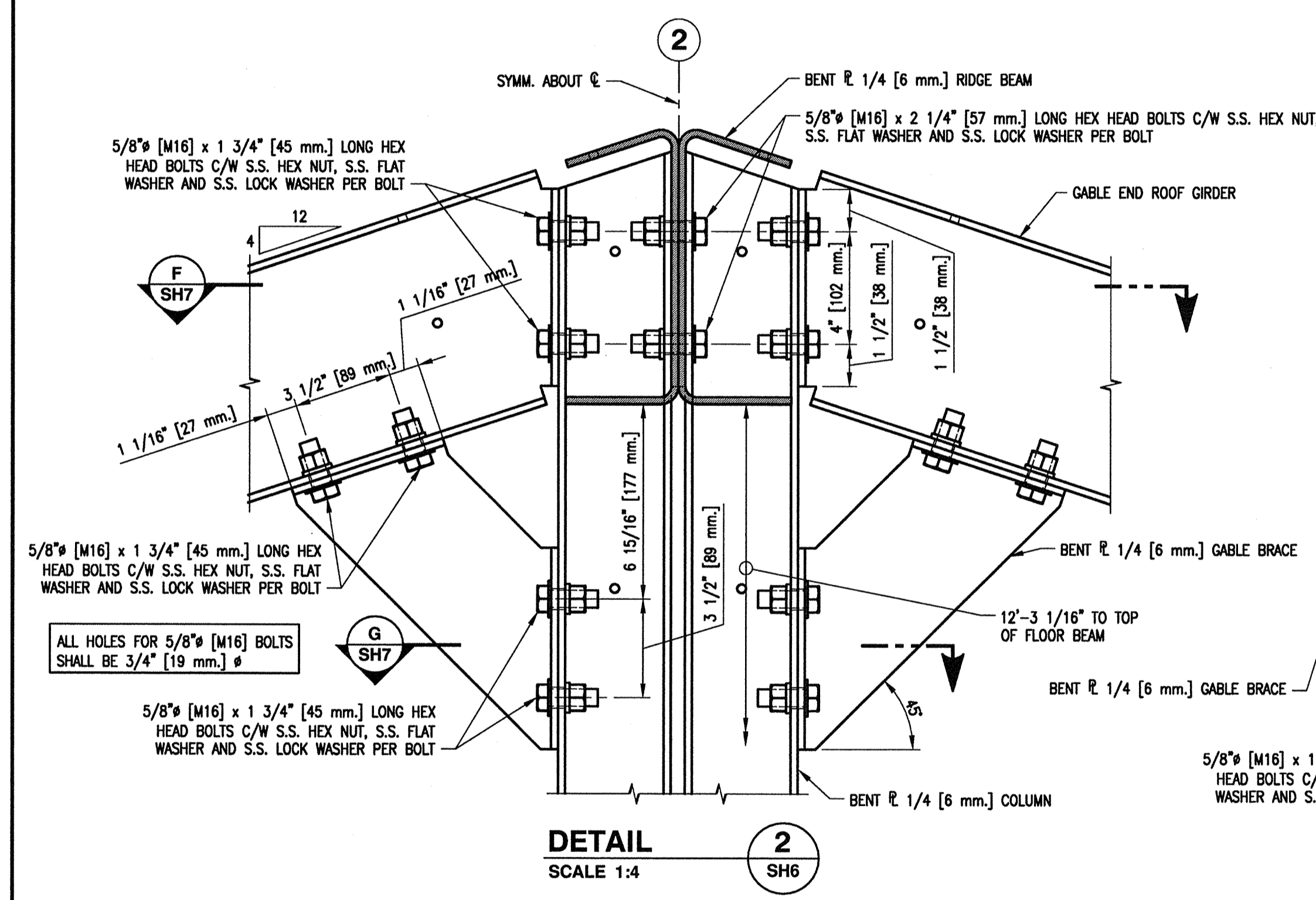
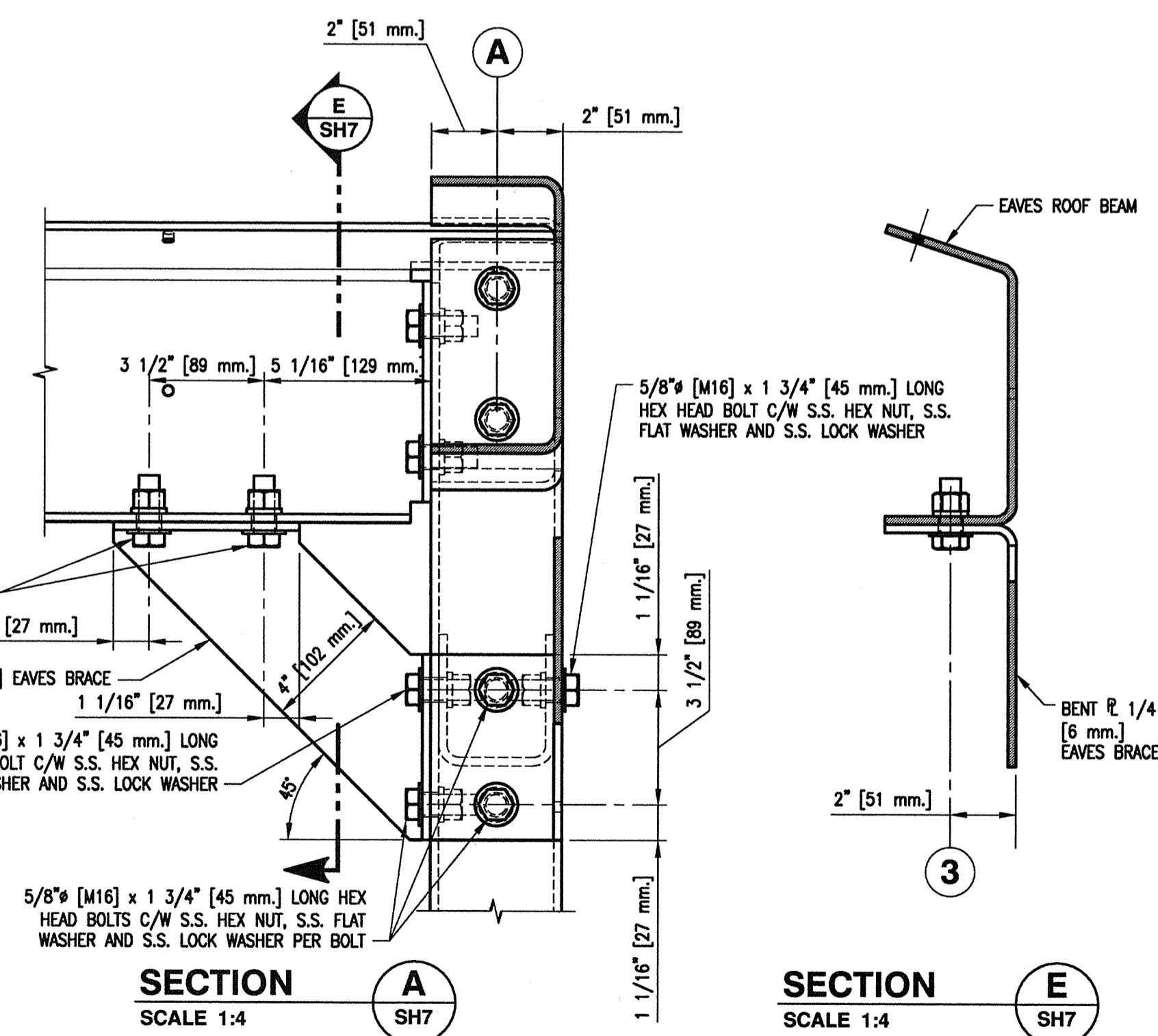
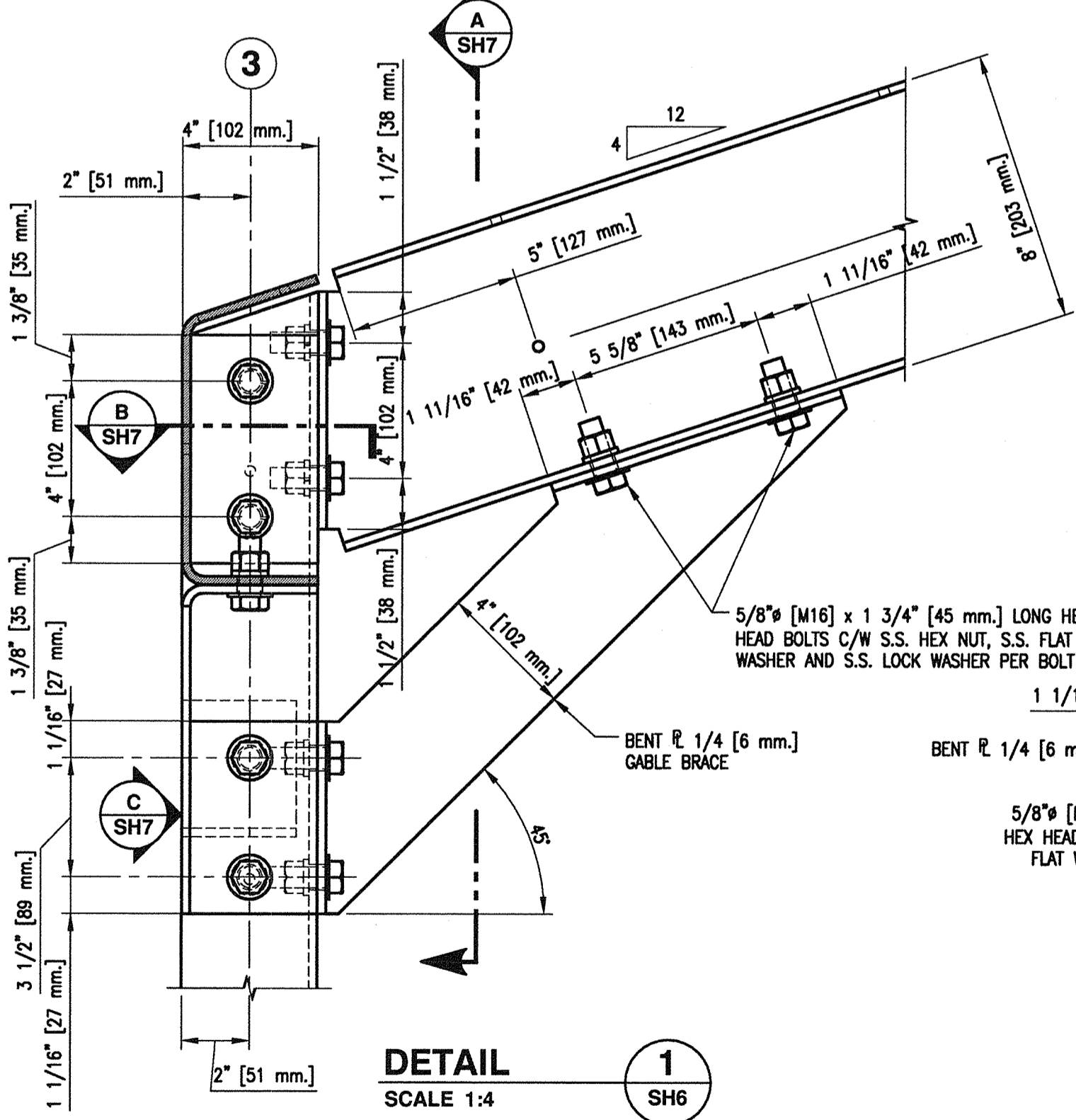
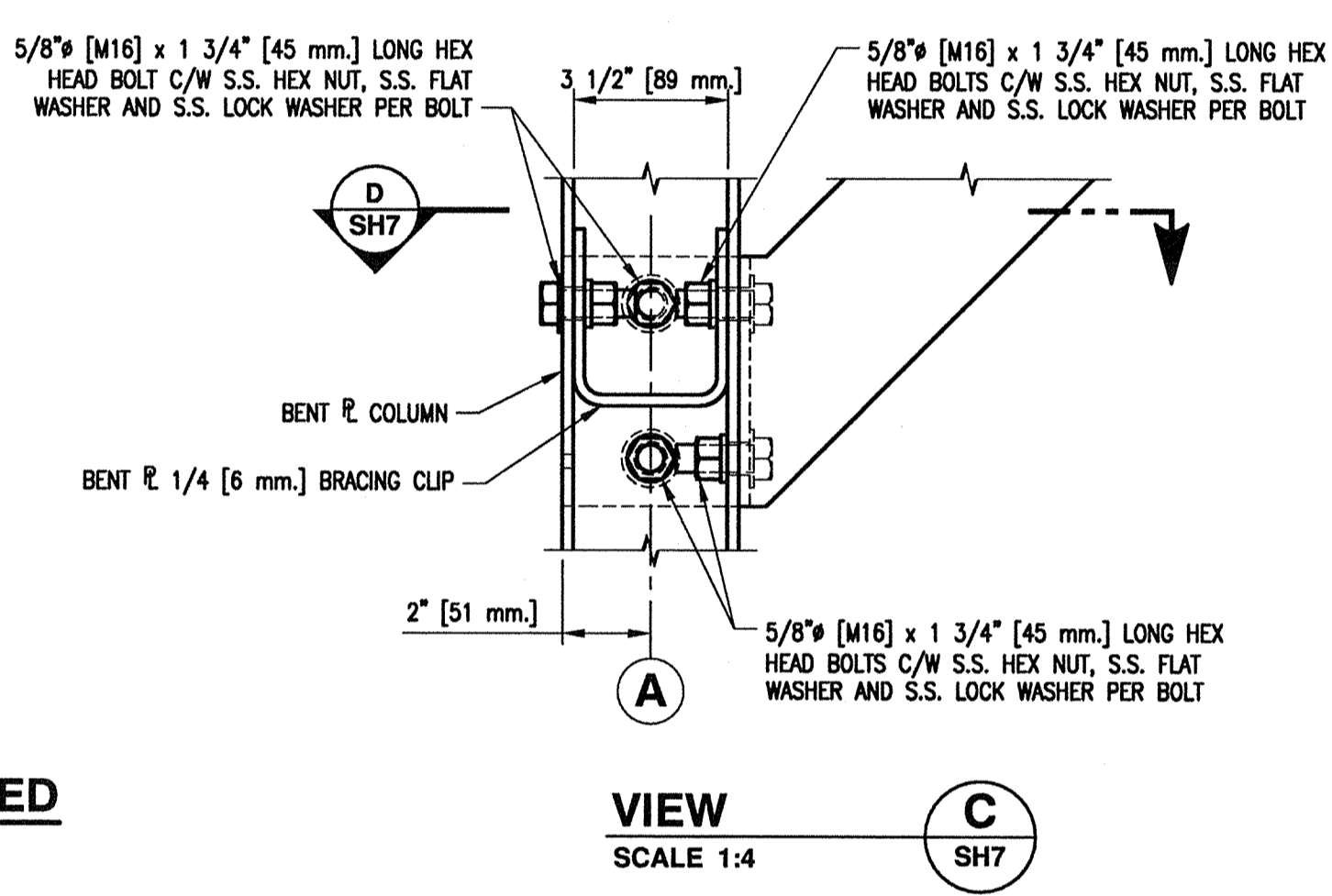
INTERIOR 3D VIEW AT ROOF CORNER EAVES



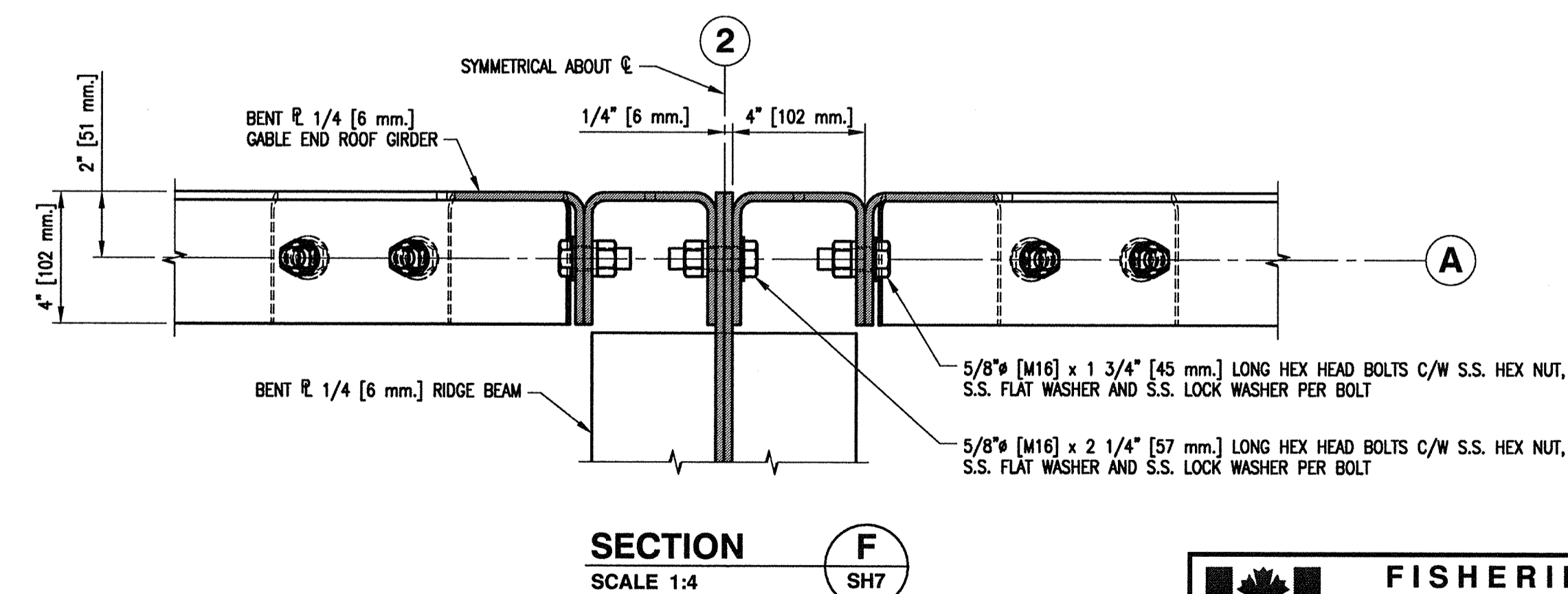
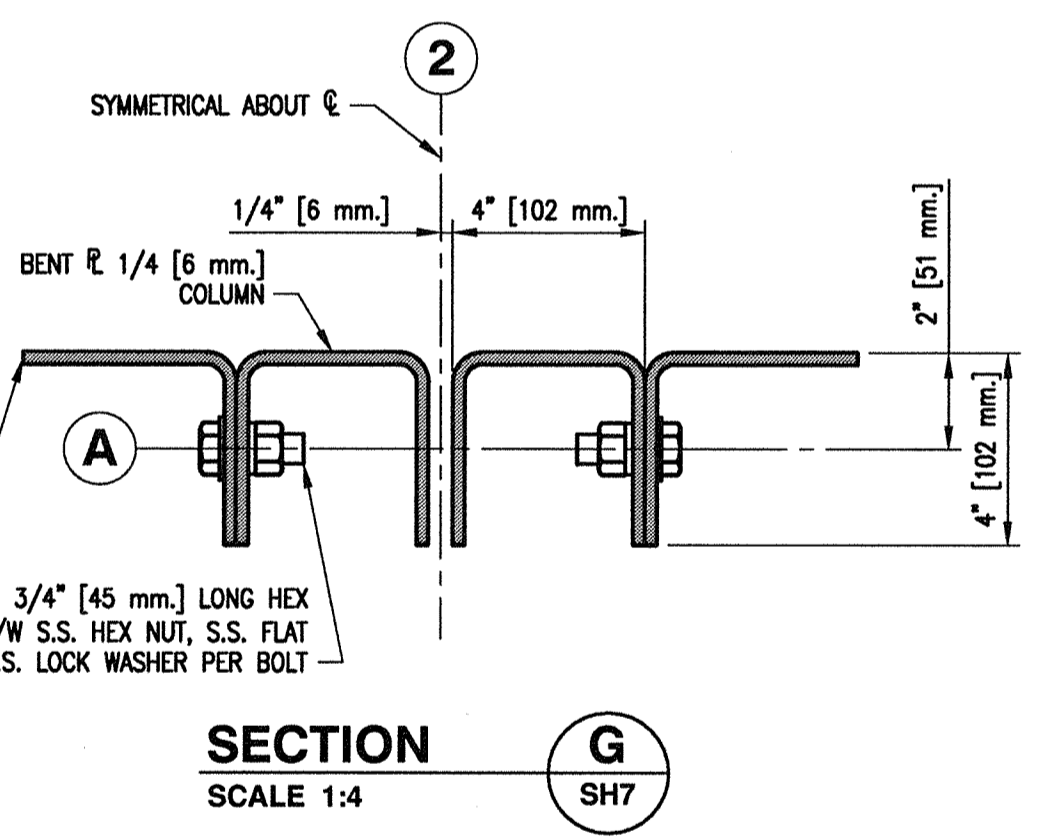
INTERIOR 3D VIEW AT ROOF RIDGE GABLE END



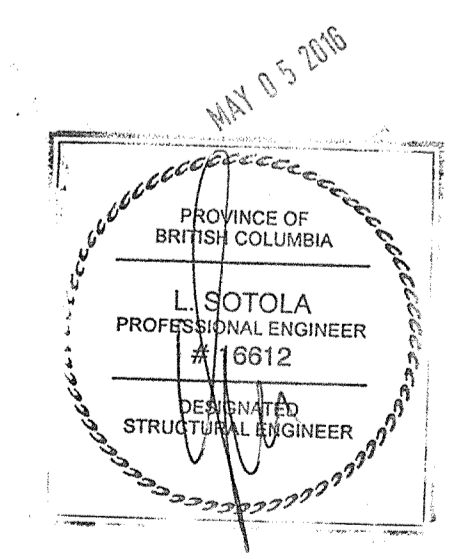
3D VIEW - BRACING CLIP REMOVED



DETAIL 2 SH6 SCALE 1:4



SECTION F SH7 SCALE 1:4

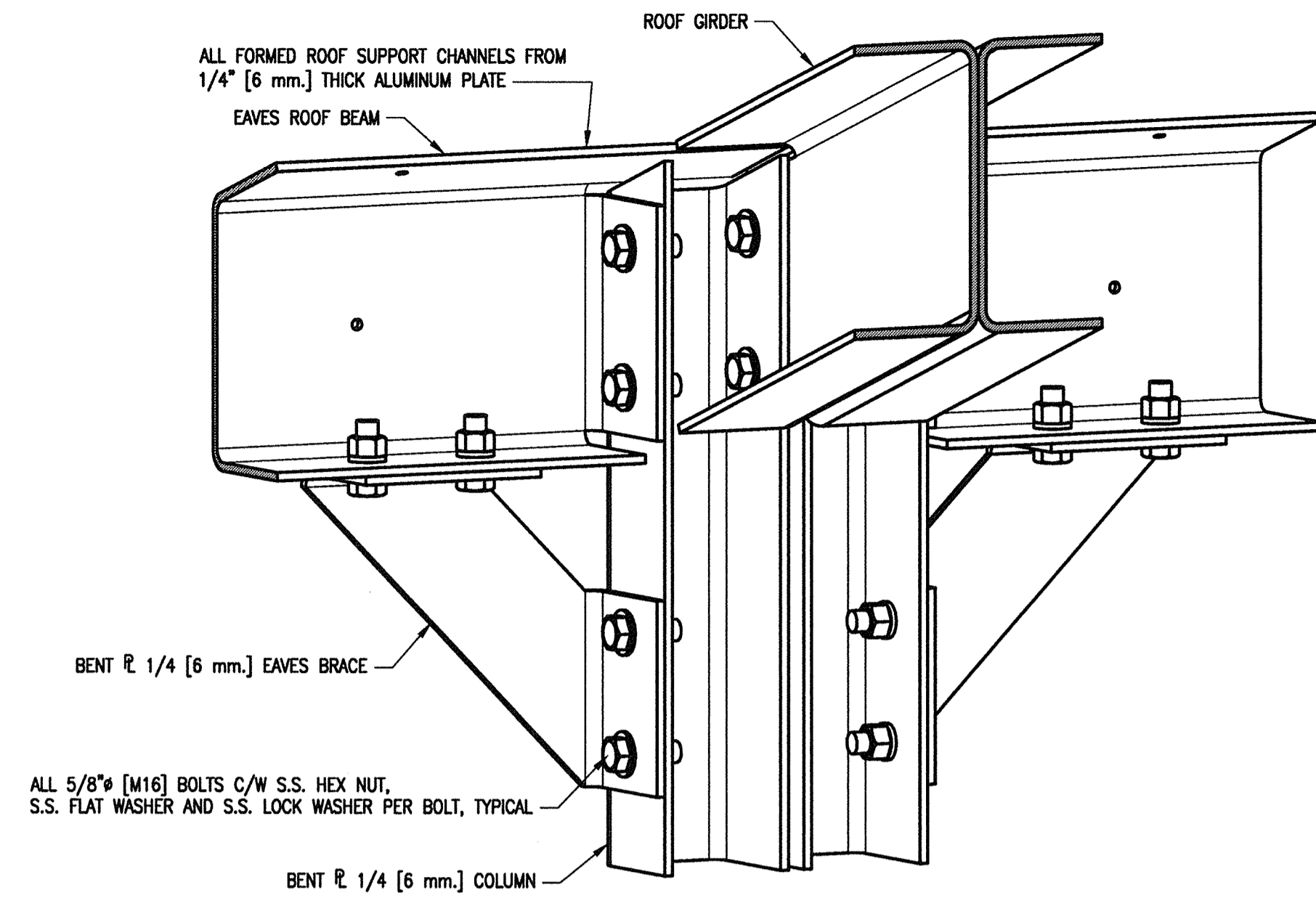


1. FOR GENERAL NOTES AND LEGEND REFER TO DRAWING 4-30-16-SF SH1.

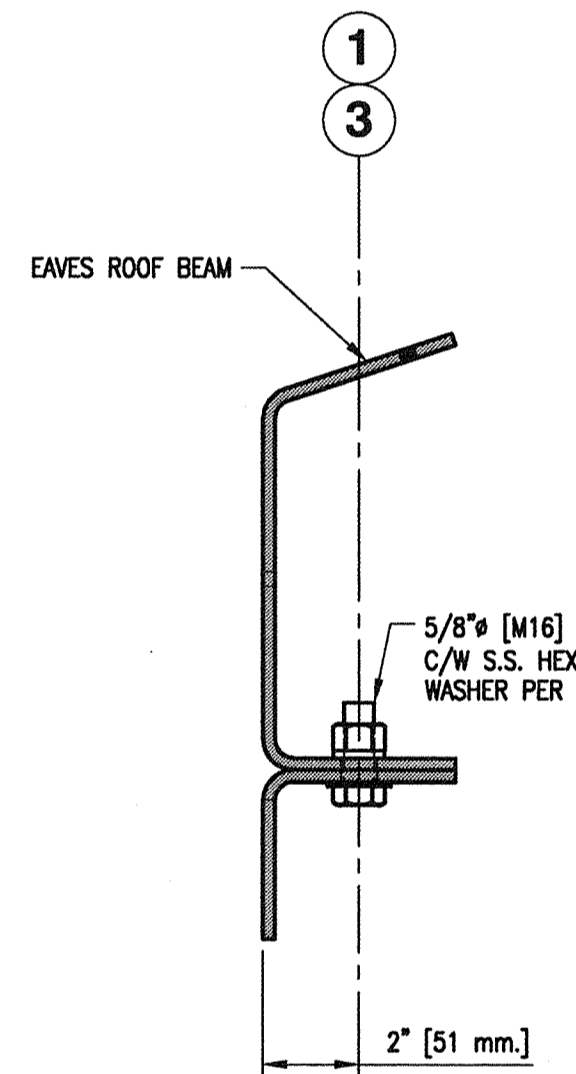
**\*\* IMPORTANT \*\***  
FOR COLD FORMING OF ALUMINUM PLATE AND MINIMUM RECOMMENDED BENDING RADIUS REFER TO THE GENERAL NOTES AND THE CONTRACT SPECIFICATIONS.

<b>FISHERIES AND OCEANS CANADA</b> REAL PROPERTY, SAFETY & SECURITY	
<b>PREFABRICATED BUILDING</b> MODEL 24X72-S1 STRUCTURAL ALUMINUM FRAME KNEE BRACING AND ROOF BEAM CONNECTION DETAILS SHEET 1 OF 2	SCALE AS NOTED DATE MAY 11, 2015 DWG. NUMBER 4-30-16-SF SHEET 7 of 11 SIZE D REVISION

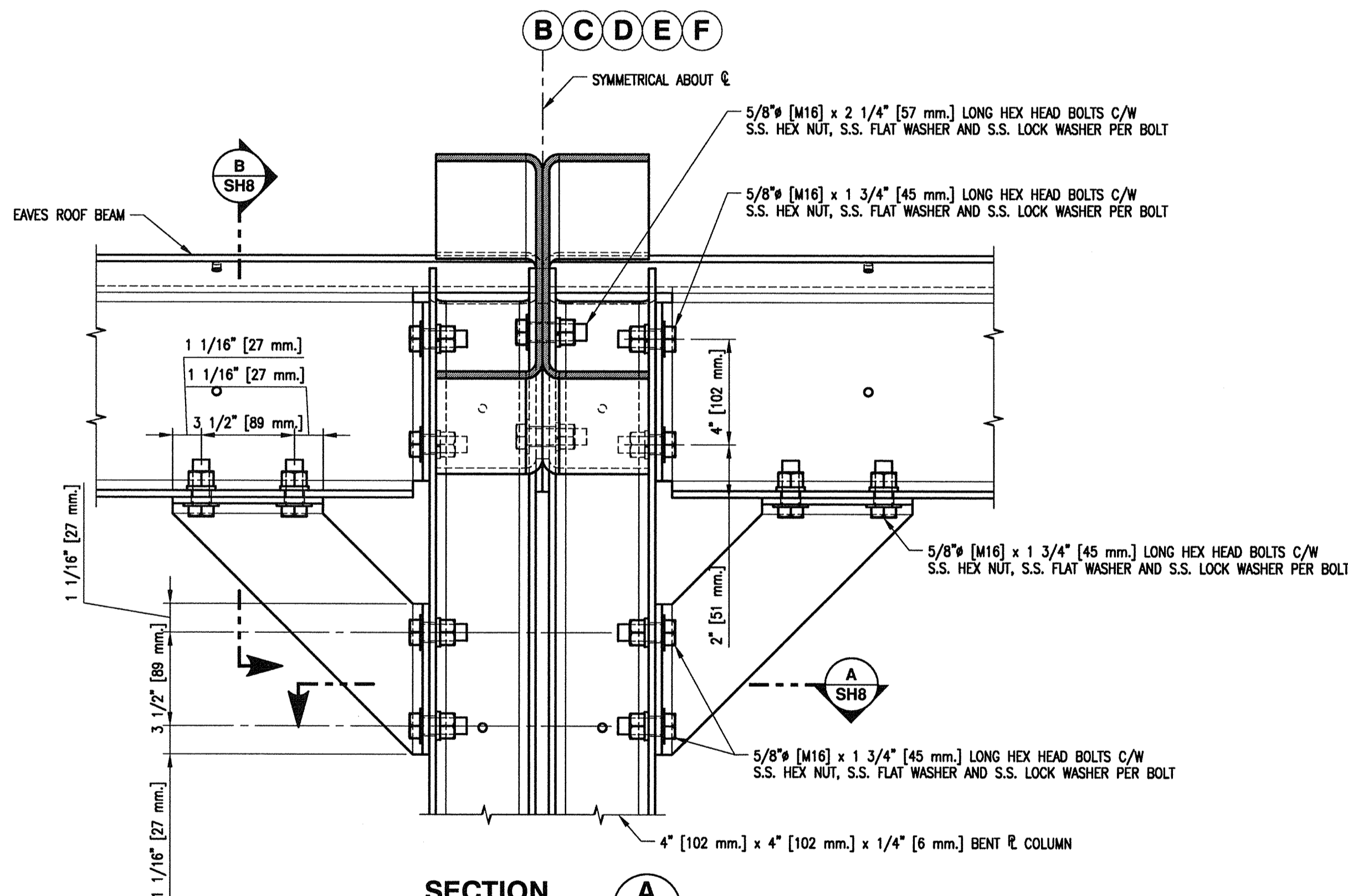
DWG. NO.	DRAWING REFERENCES	NOTES	NO.	DATE	REVISIONS
----------	--------------------	-------	-----	------	-----------



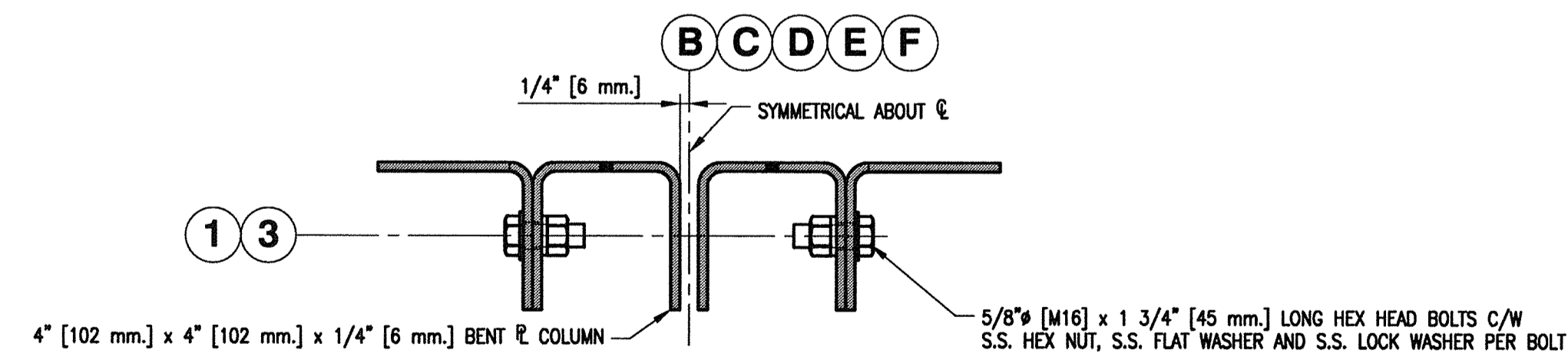
**INTERIOR 3D VIEW AT ROOF EAVES**



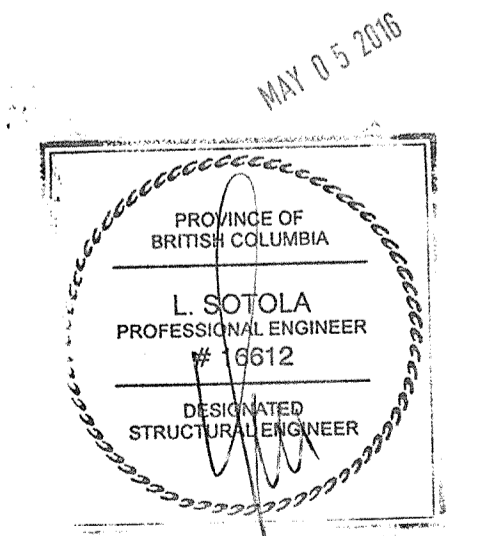
**SECTION B**  
SCALE 1:4  
SH8



**SECTION A**  
SCALE 1:4  
SH2



**SECTION A**  
SCALE 1:4  
SH8



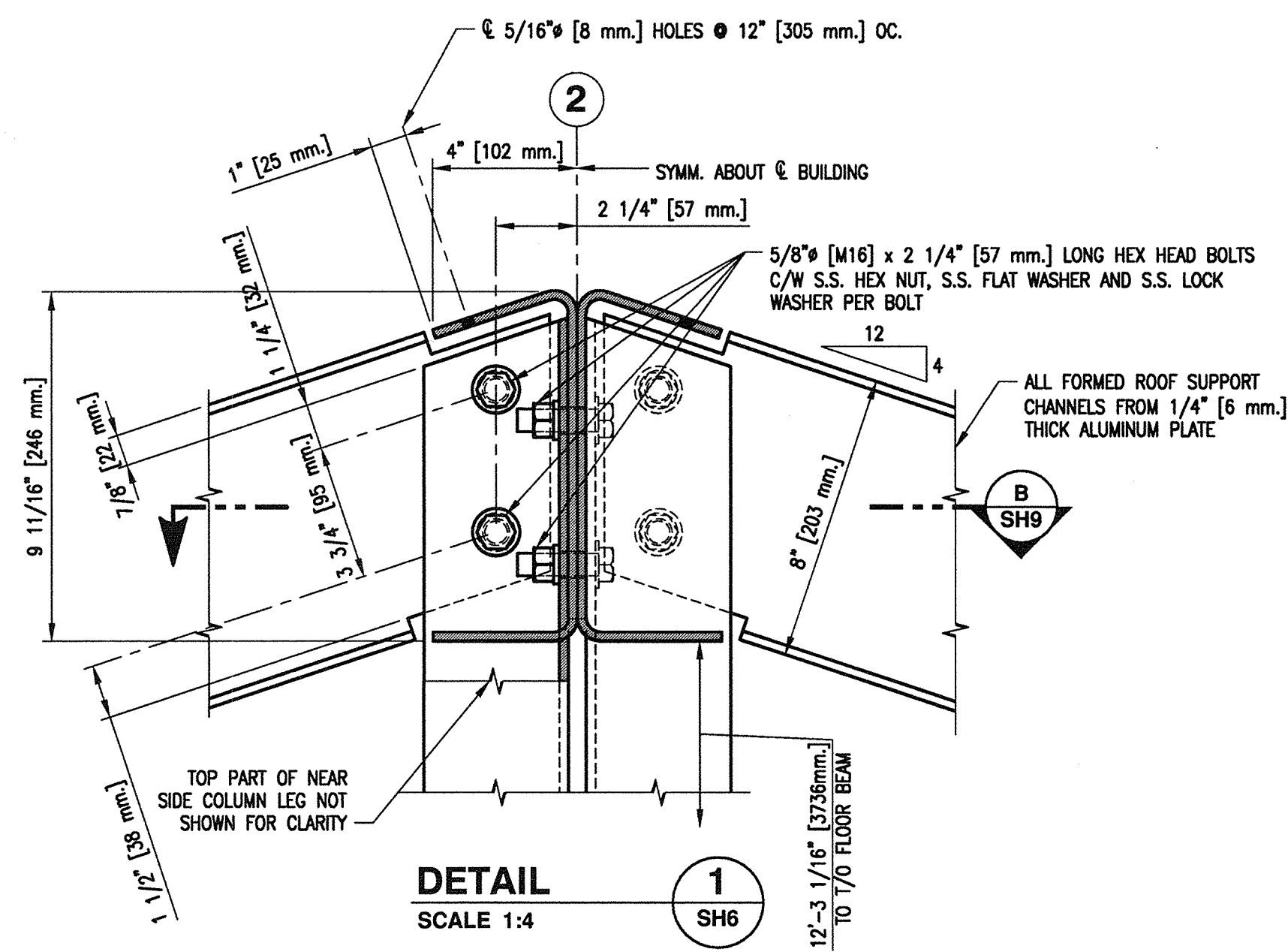
<b>FISHERIES AND OCEANS CANADA</b> REAL PROPERTY, SAFETY & SECURITY	
<b>PREFABRICATED BUILDING</b> <b>MODEL 24X72-S1</b> <b>STRUCTURAL ALUMINUM FRAME</b> <b>KNEE BRACING AND</b> <b>ROOF BEAM CONNECTION DETAILS</b> <b>SHEET 2 OF 2</b>	SCALE AS NOTED DATE MAY 11, 2015 DWG. NUMBER 4-30-16-SF SHEET 8 of 11 SIZE D REVISION

1. FOR GENERAL NOTES AND LEGEND REFER TO DRAWING 4-30-16-SF SH1.

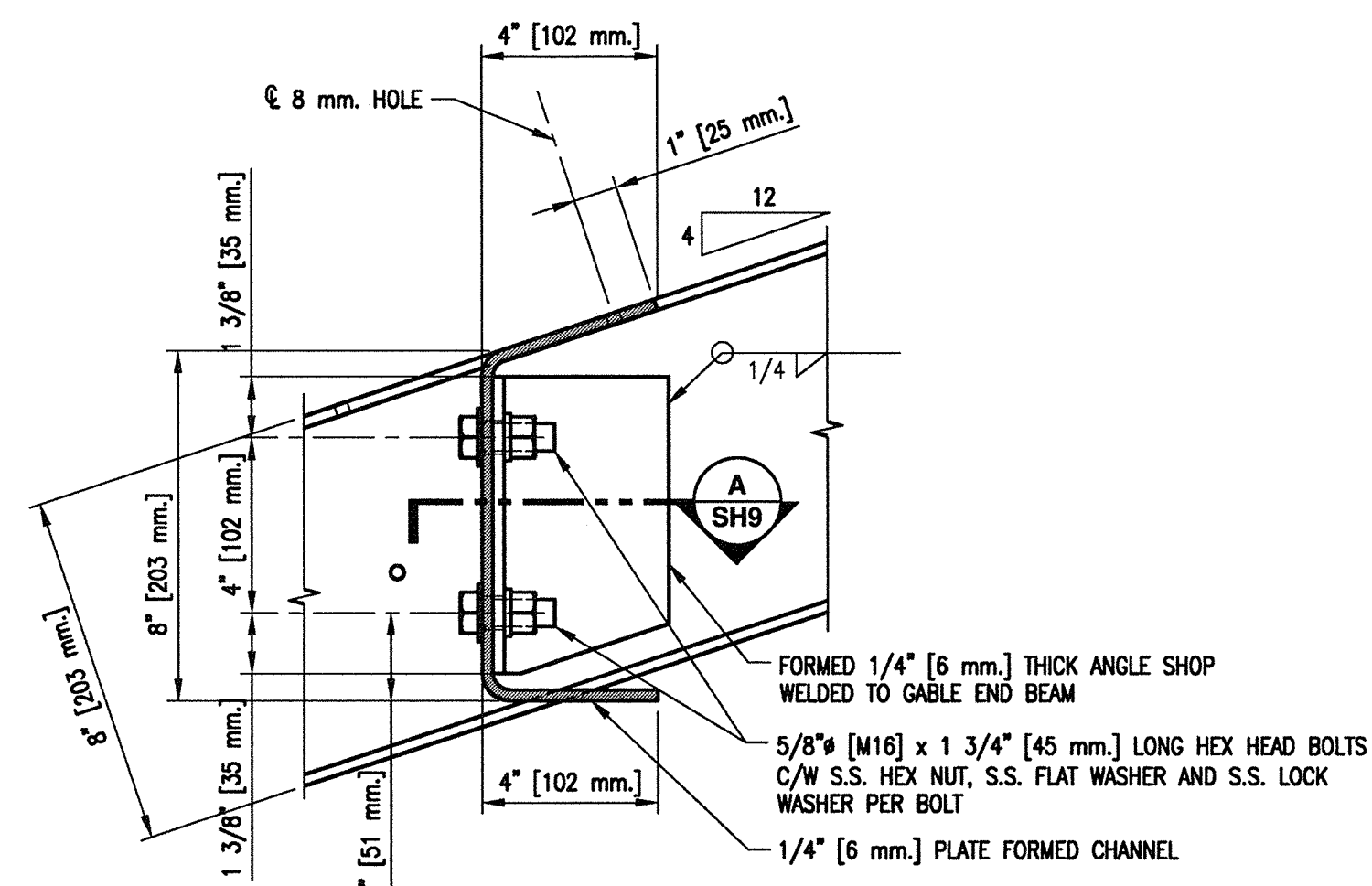
**\*\* IMPORTANT \*\***  
FOR COLD FORMING OF ALUMINUM PLATE AND MINIMUM RECOMMENDED BENDING RADI REFER TO THE GENERAL NOTES AND THE CONTRACT SPECIFICATIONS.

DWG. NO.	DRAWING REFERENCES	NOTES	NO.	DATE	REVISIONS

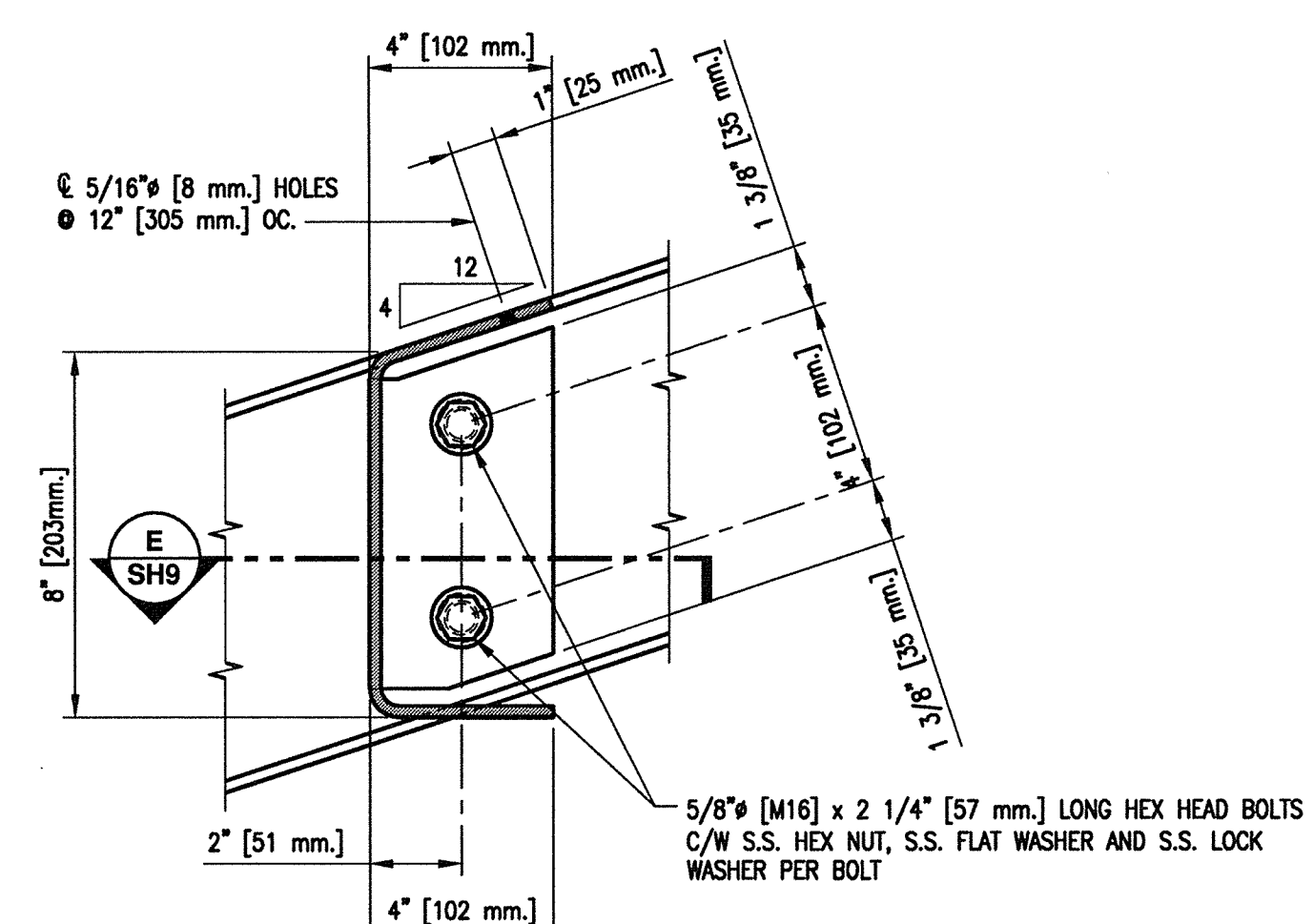




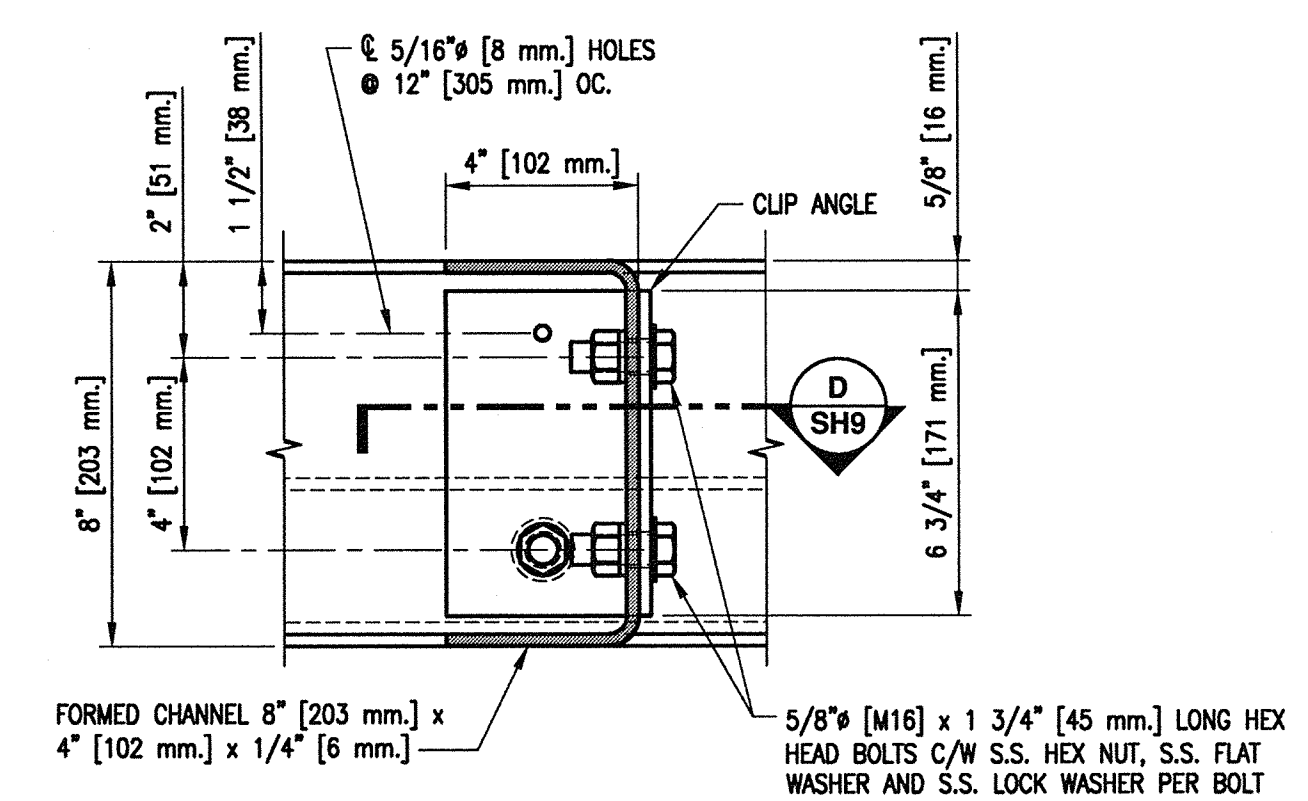
**DETAIL 1**  
SCALE 1:4  
SH6



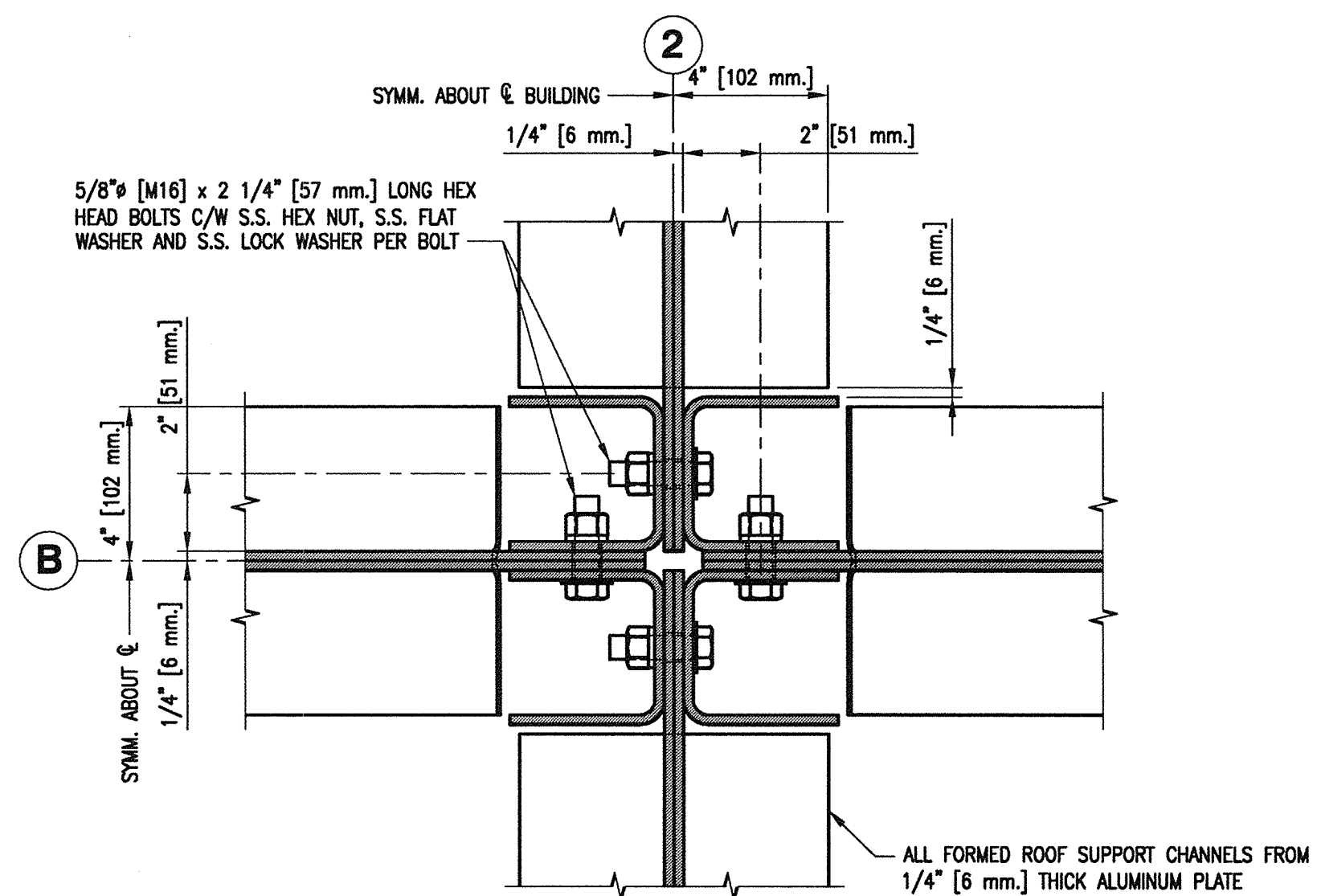
**DETAIL 2**  
SCALE 1:4  
SH6



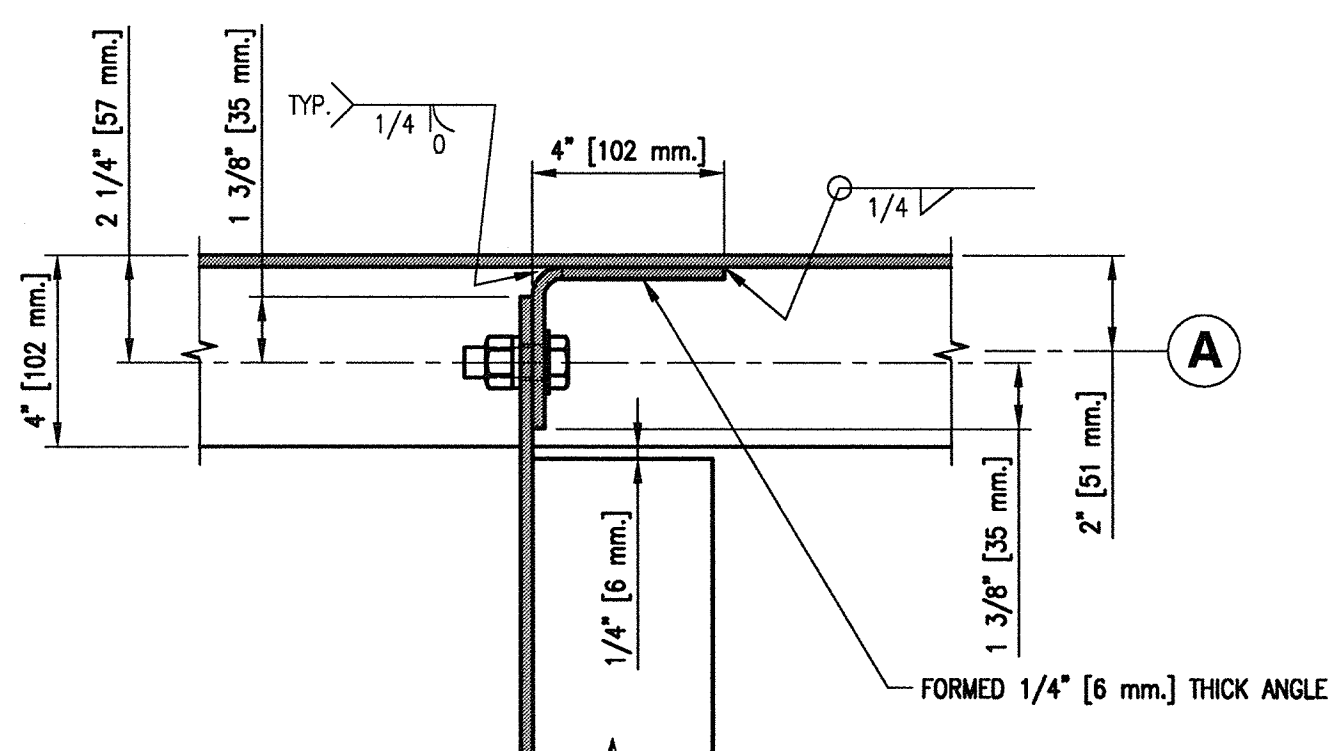
**DETAIL 3**  
SCALE 1:4  
SH6



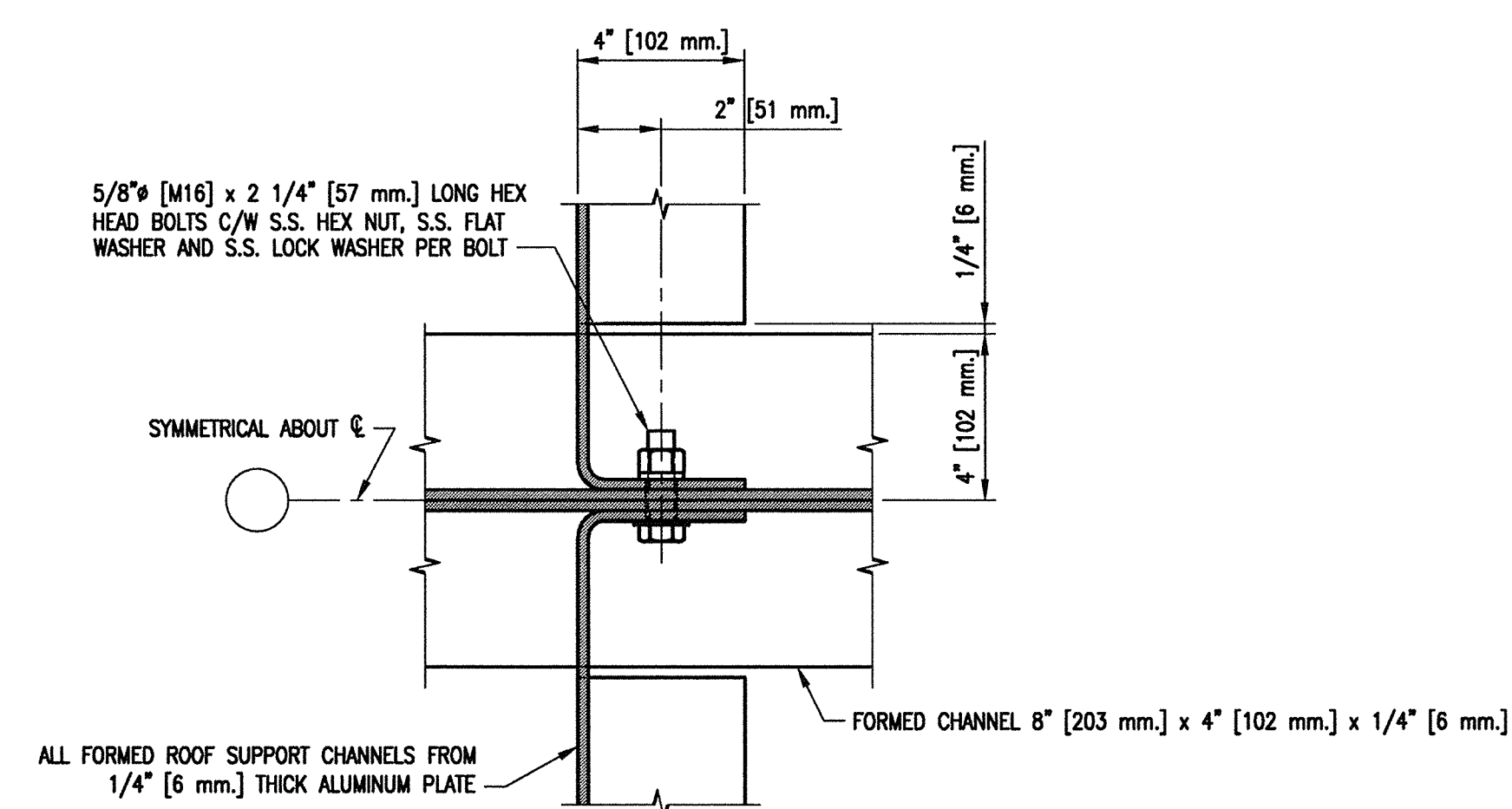
**DETAIL 5**  
SCALE 1:4  
SH6



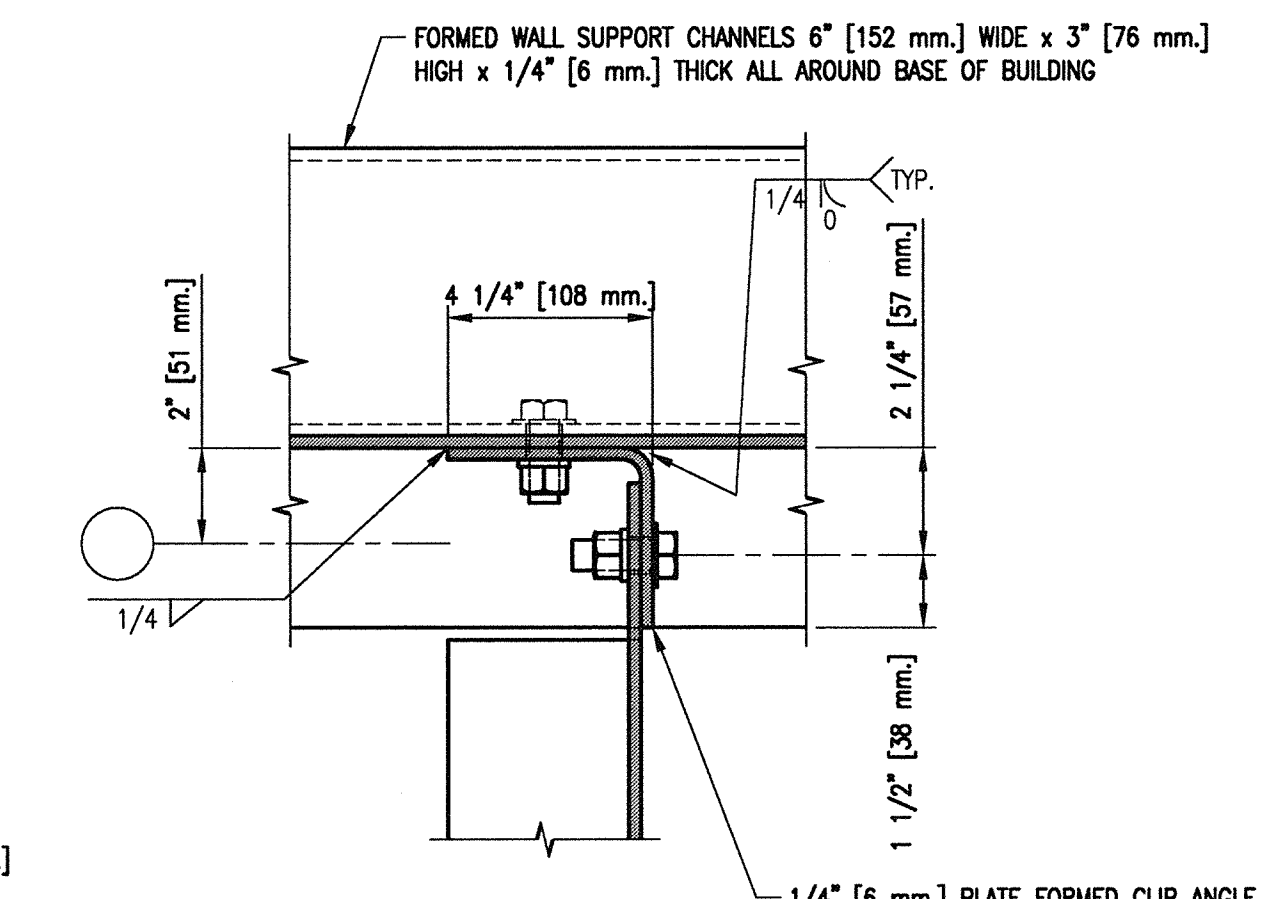
**SECTION B**  
SCALE 1:4  
SH9



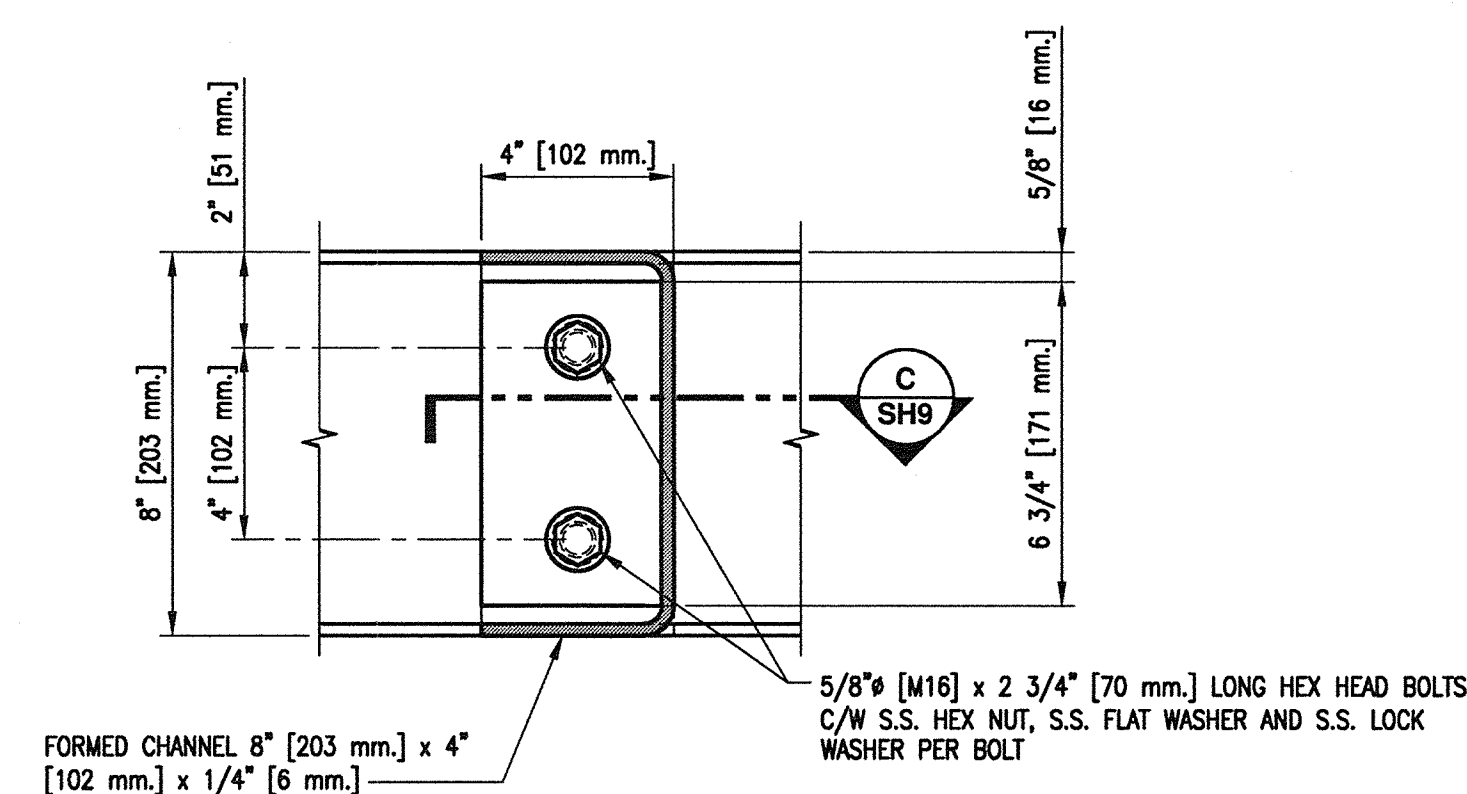
**SECTION A**  
SCALE 1:4  
SH9



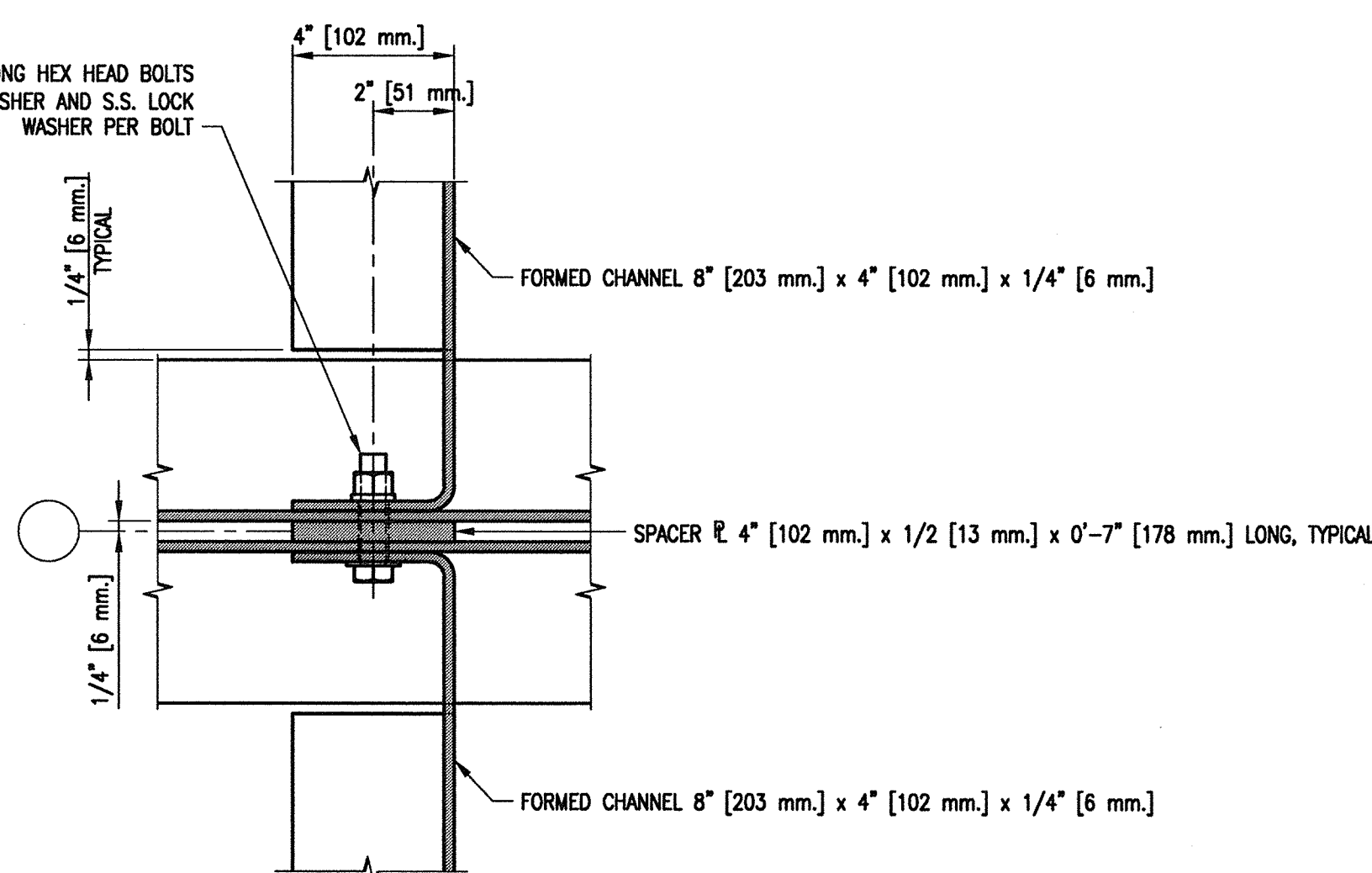
**SECTION E**  
SCALE 1:4  
SH9



**SECTION D**  
SCALE 1:4  
SH9

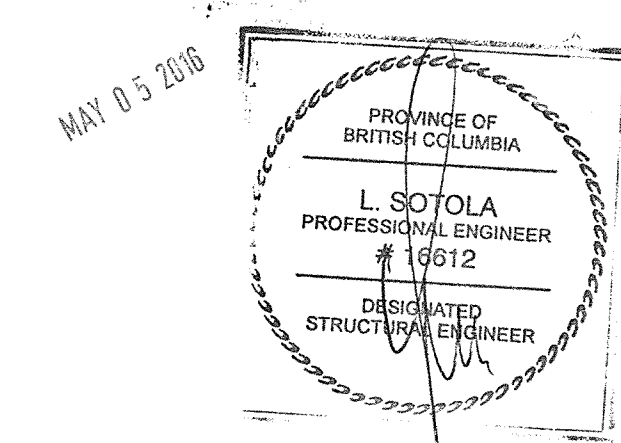


**DETAIL 4**  
SCALE 1:4  
SH6



**SECTION C**  
SCALE 1:4  
SH9

1. FOR GENERAL NOTES AND LEGEND REFER TO DRAWING 4-30-16-SF SH1.



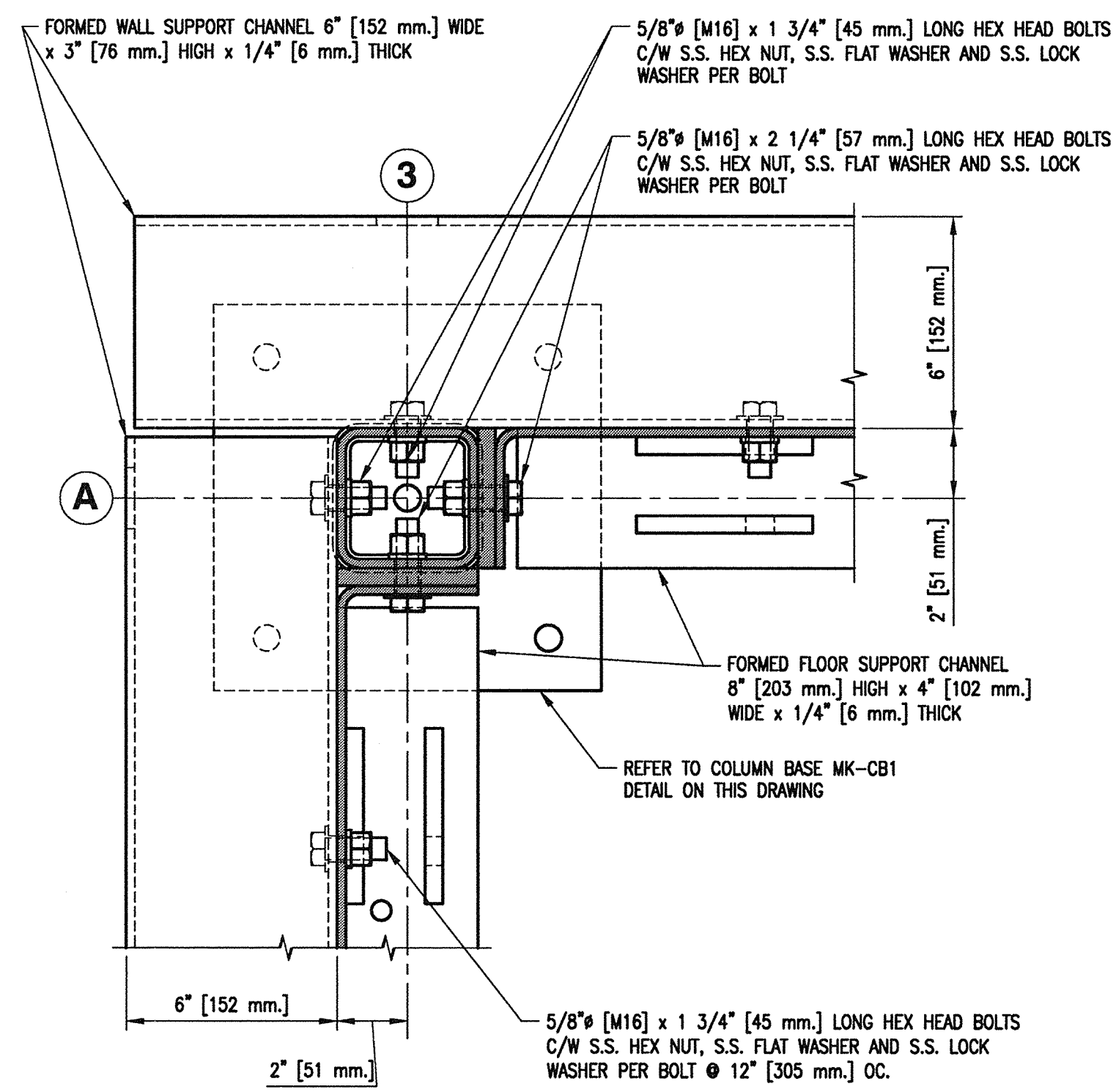
**FISHERIES AND OCEANS CANADA**  
REAL PROPERTY, SAFETY & SECURITY

**PREFABRICATED BUILDING**  
MODEL 24X72-S1  
STRUCTURAL ALUMINUM FRAME  
ROOF FRAMING AND FLOOR FRAMING  
SECTIONS AND DETAILS

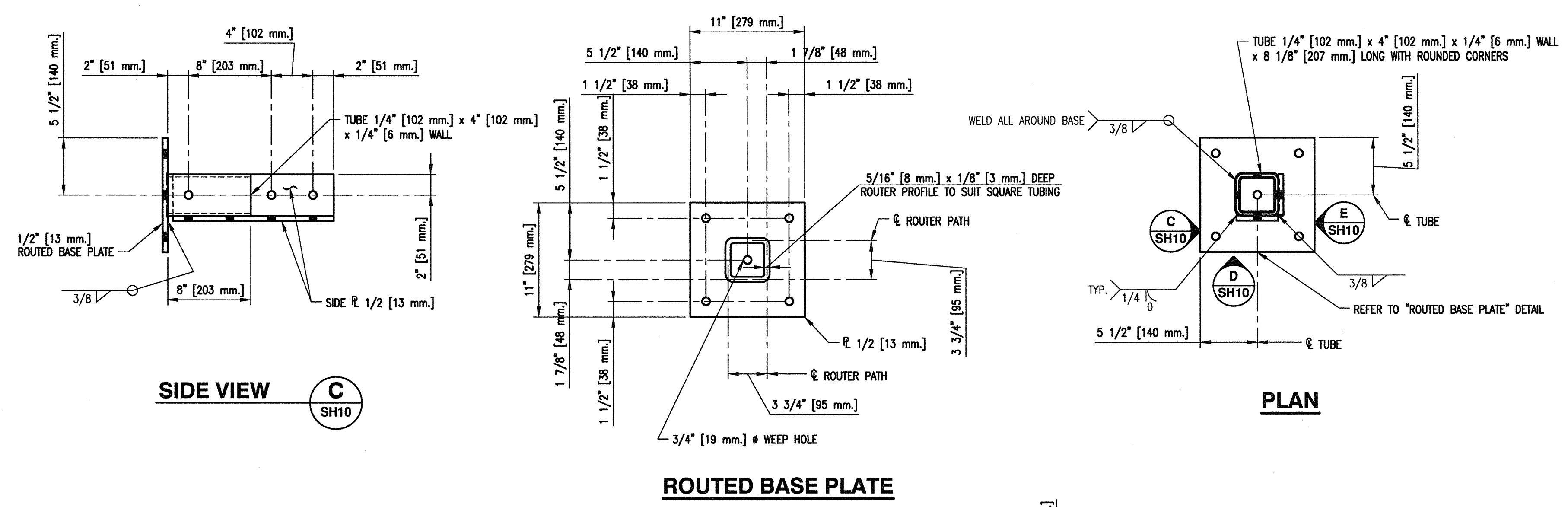
DESIGNED: M. Liang  
DRAWN: G. Reichhardt  
CHECKED:  
RECOMMENDED:  
APPROVED:  
APPROVED:

SCALE: AS NOTED  
DATE: MAY 11, 2015  
DWG. NUMBER: 4-30-16-SF  
SHEET: 9 of 11  
SIZE: D

DWG. NO.	DRAWING REFERENCES	NOTES	NO.	DATE	REVISIONS



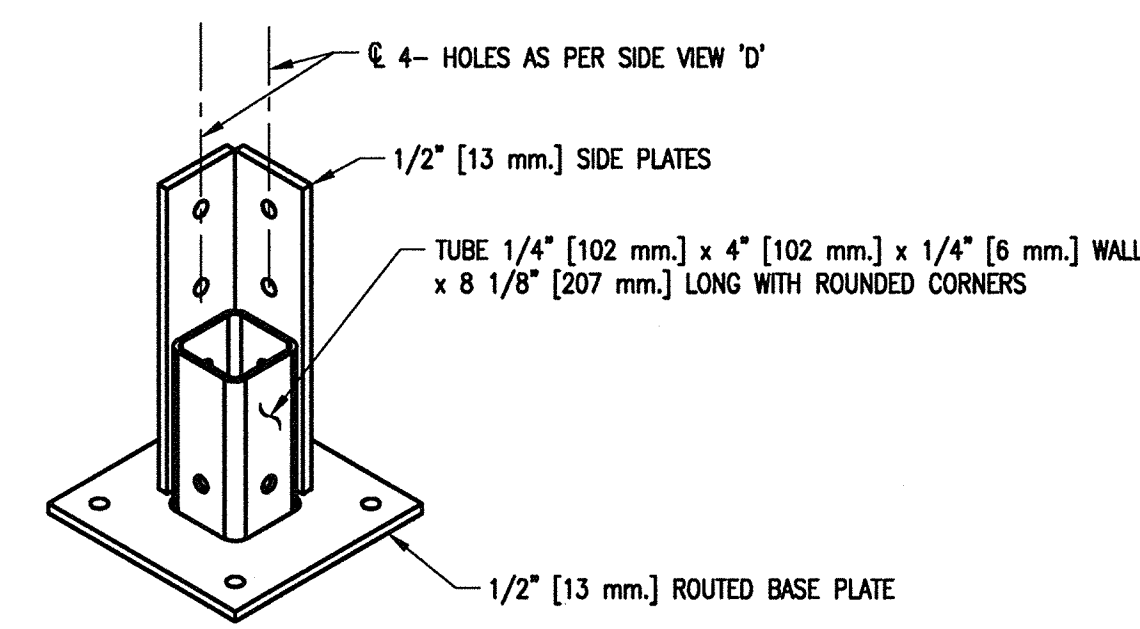
**SECTION B**  
SCALE 1:4  
SH10



**SIDE VIEW C**  
SH10

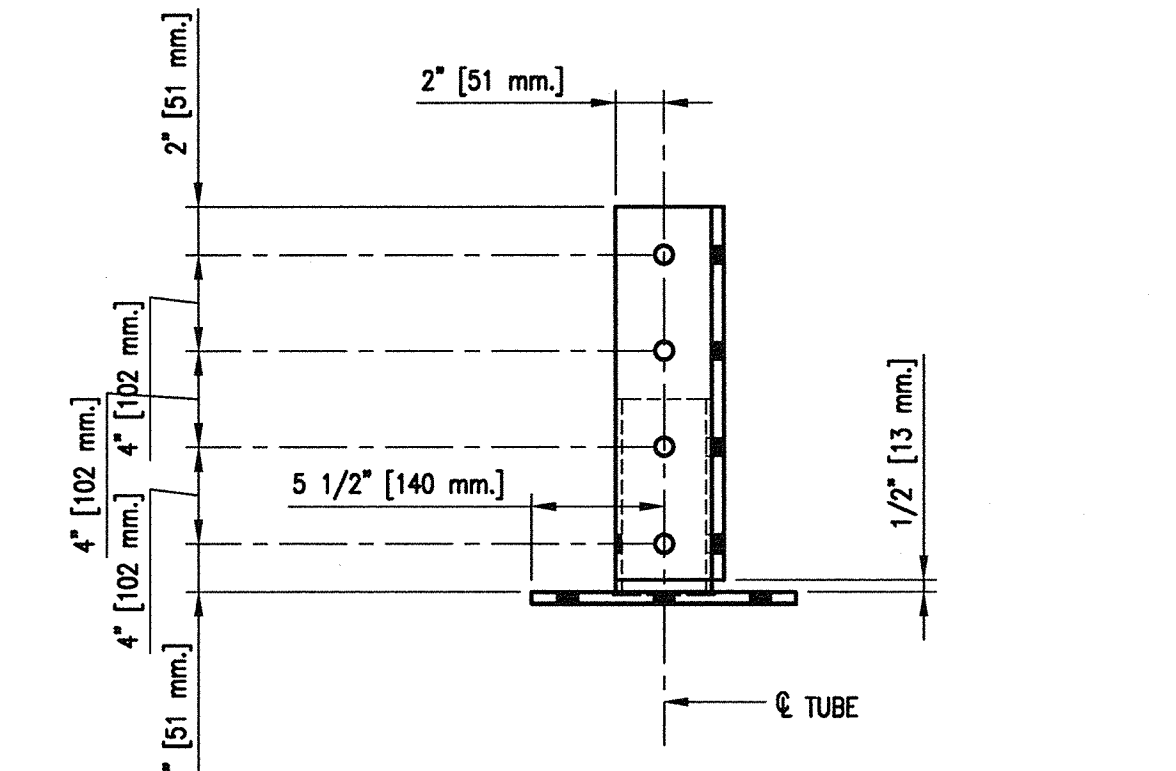
**ROUTED BASE PLATE**

**PLAN**



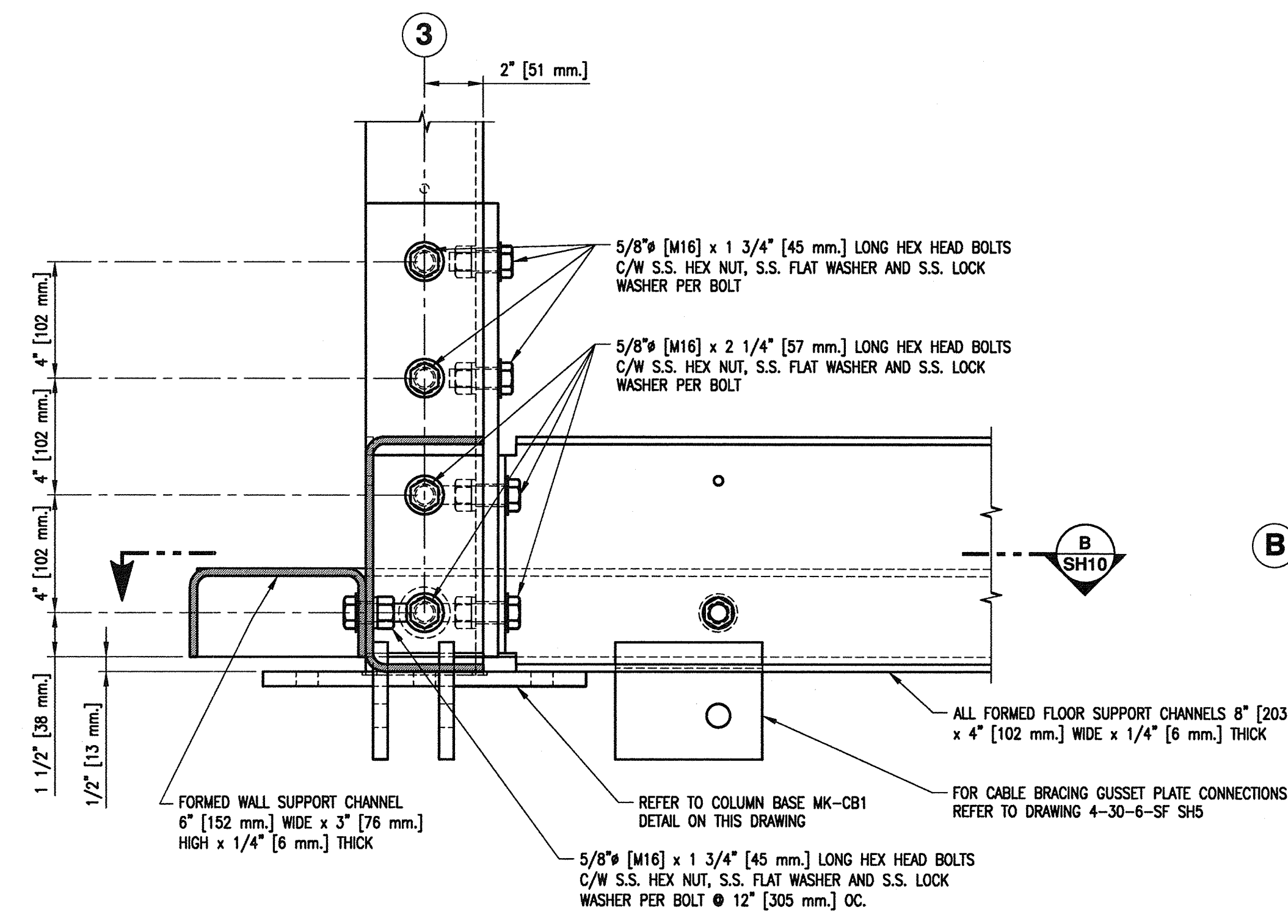
**3D VIEW**

**MAKE FOUR [4] COLUMN BASES MK-CB1**  
SCALE 1:8

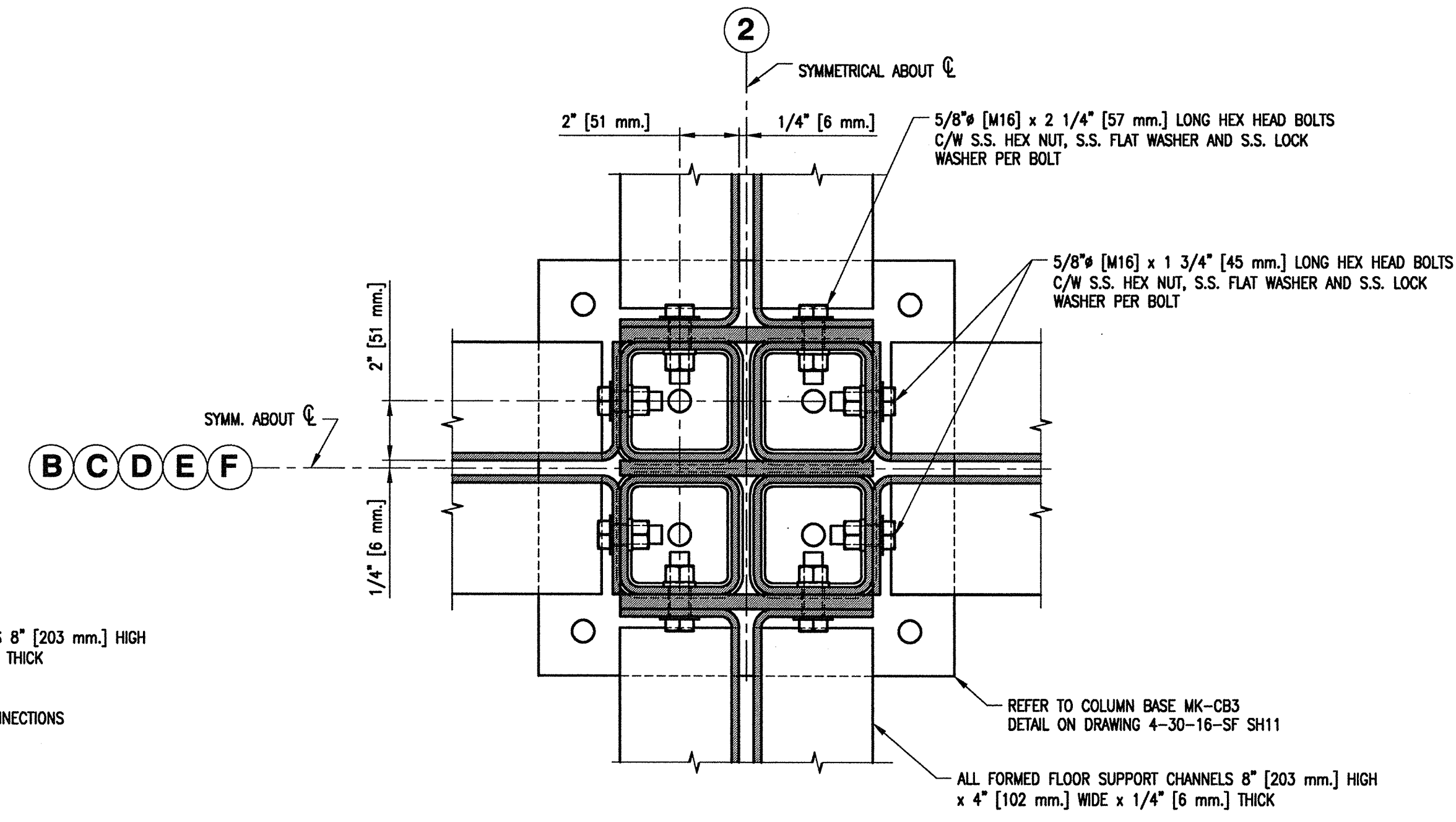


**SIDE VIEW D**  
SH10 [AS SHOWN]

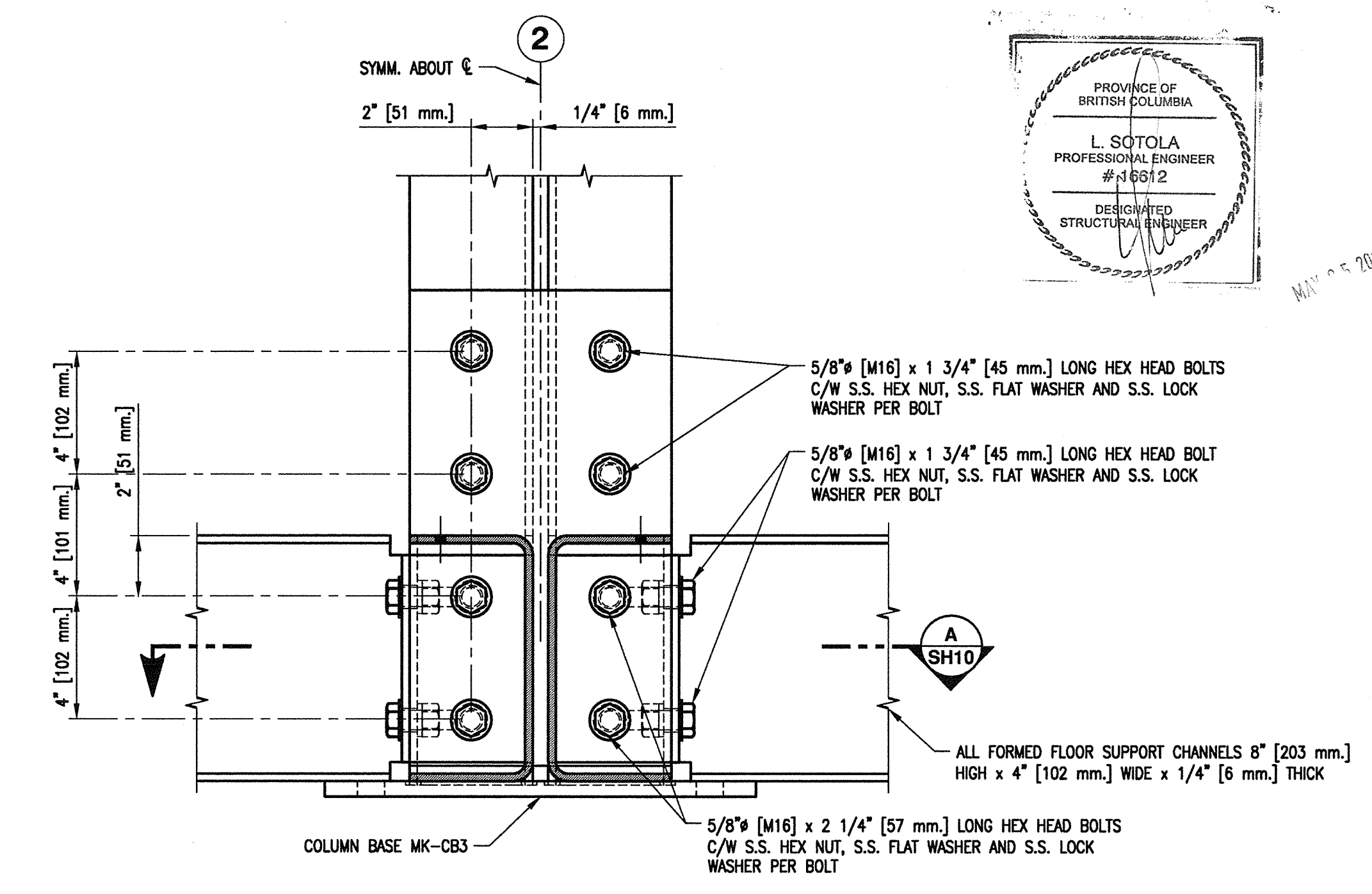
**SIDE VIEW E**  
SH10 [SAME AS SIDE VIEW 'D' EXCEPT OPPOSITE HAND]



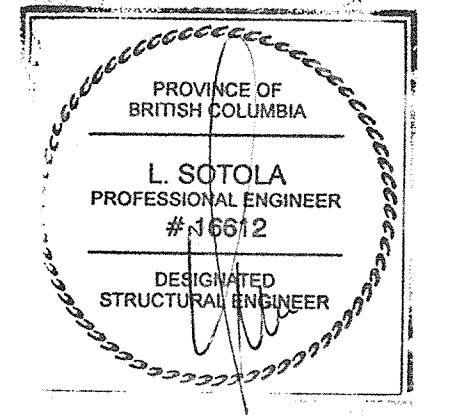
**DETAIL 1**  
SCALE 1:4  
SH6



**SECTION A**  
SCALE 1:4  
SH10



**DETAIL 2**  
SCALE 1:4  
SH6



1. FOR GENERAL NOTES AND LEGEND REFER TO DRAWING 4-30-16-SF SH1.

DESIGNED	M. Liang
DRAWN	G. Reichhardt
CHECKED	
RECOMMENDED	
APPROVED	
APPROVED	

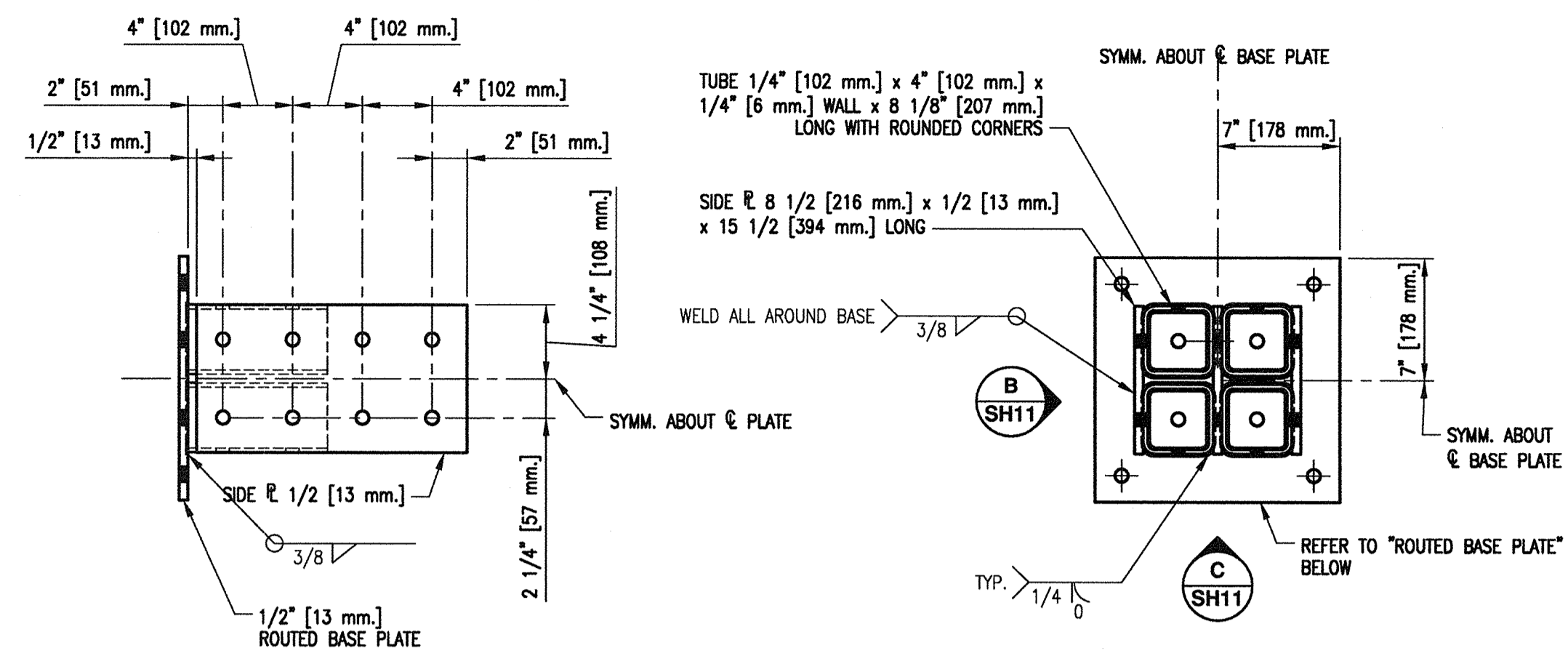
**FISHERIES AND OCEANS CANADA**  
REAL PROPERTY, SAFETY & SECURITY

**PREFABRICATED BUILDING**  
MODEL 24X72-S1  
STRUCTURAL ALUMINUM FRAME  
COLUMN BASE MK-CB1  
SECTIONS AND DETAILS

SCALE	AS NOTED
DATE	MAY 11, 2015
DWG. NUMBER	4-30-16-SF
SHEET	10 of 11
SIZE	D
REVISION	

DWG. NO.	DRAWING REFERENCES	NOTES	NO.	DATE	REVISIONS

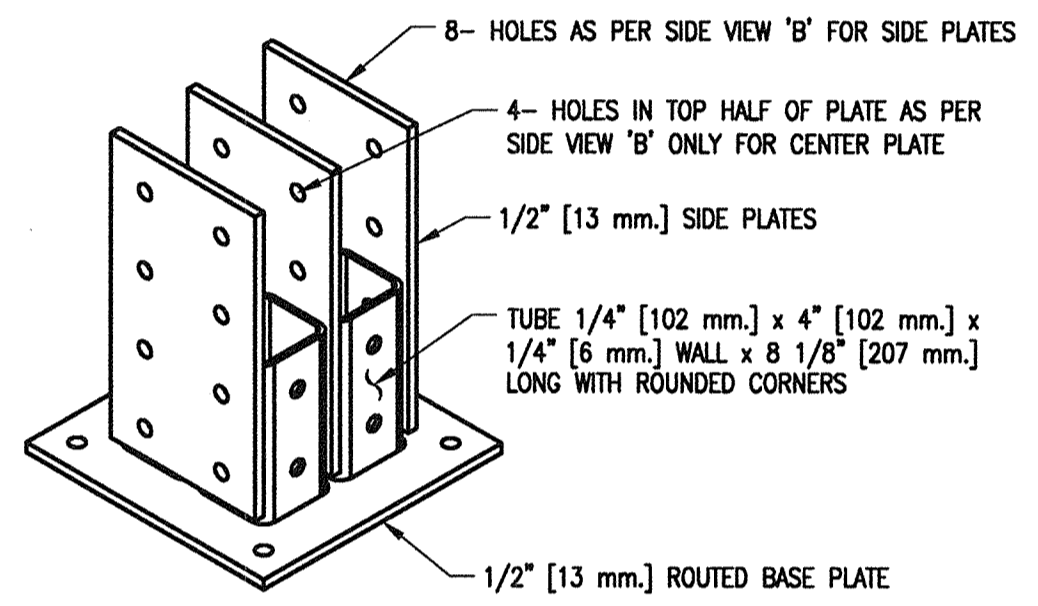




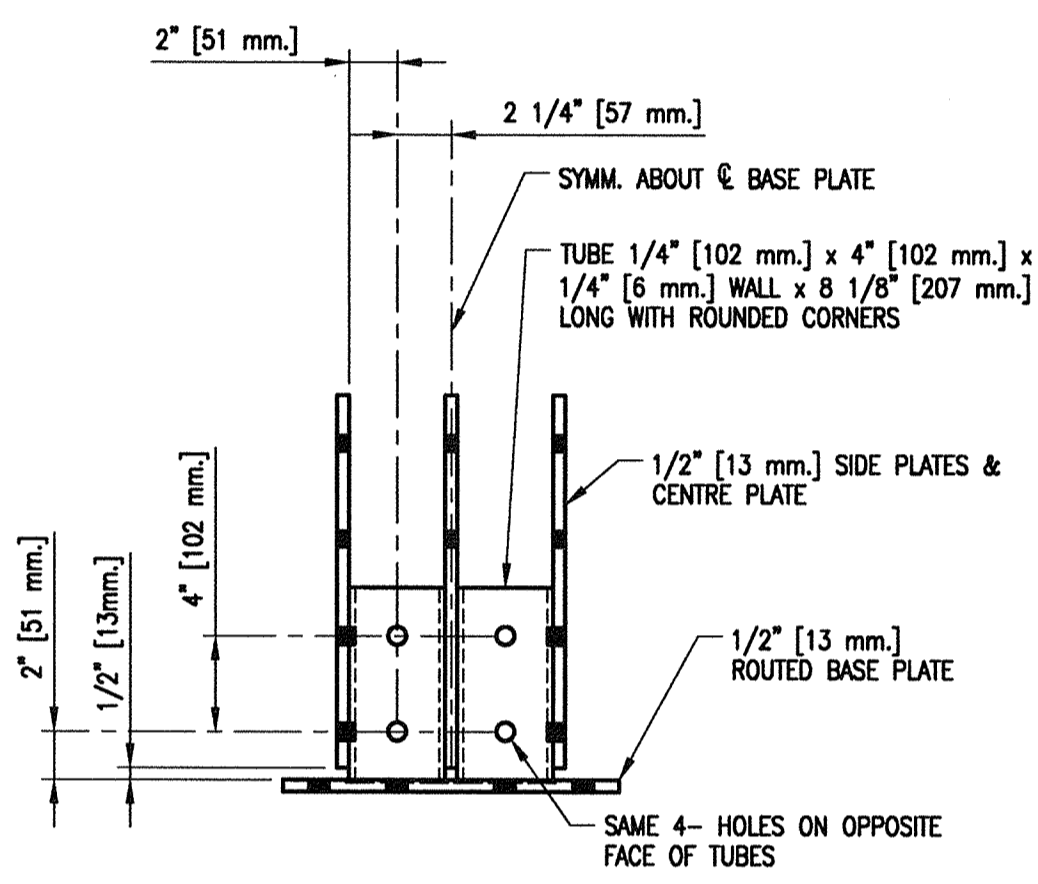
**SIDE VIEW** B SH11

**PLAN**

ALL HOLES 3/4" [19 mm.] Ø

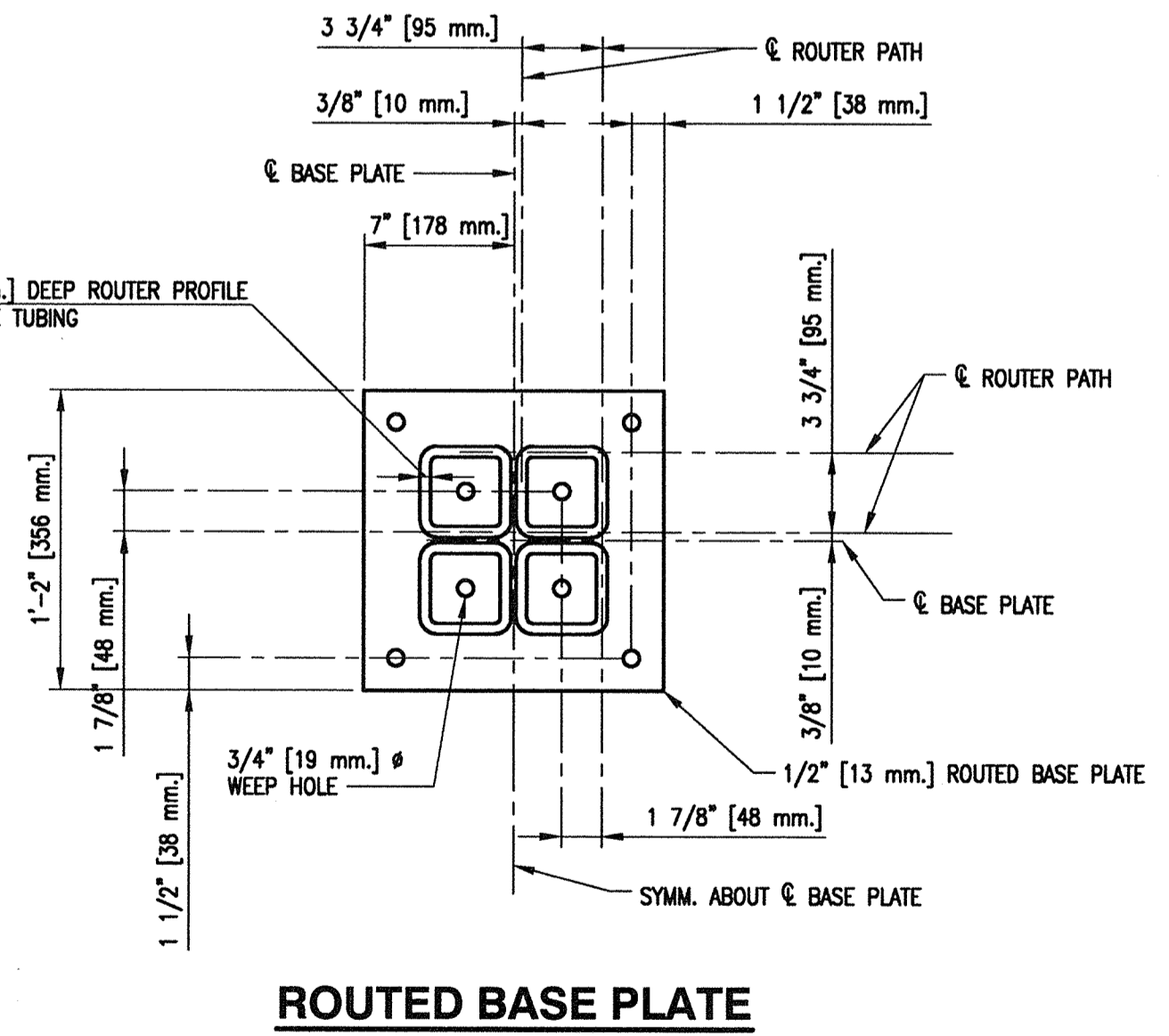


**3D VIEW**



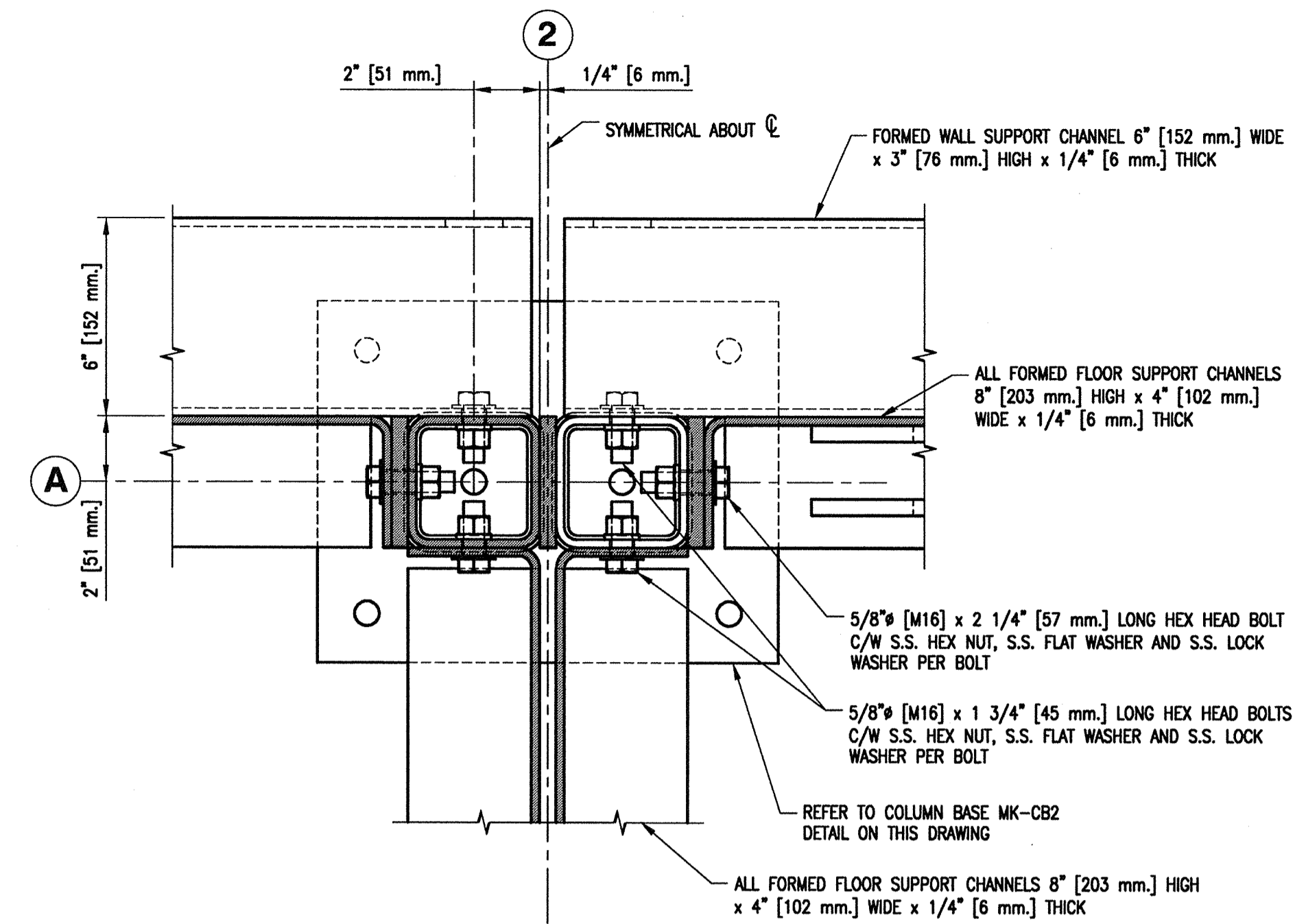
**SIDE VIEW** C SH11

**MAKE FIVE [5] ALUMINUM COLUMN BASES MK-CB3**  
SCALE 1:8

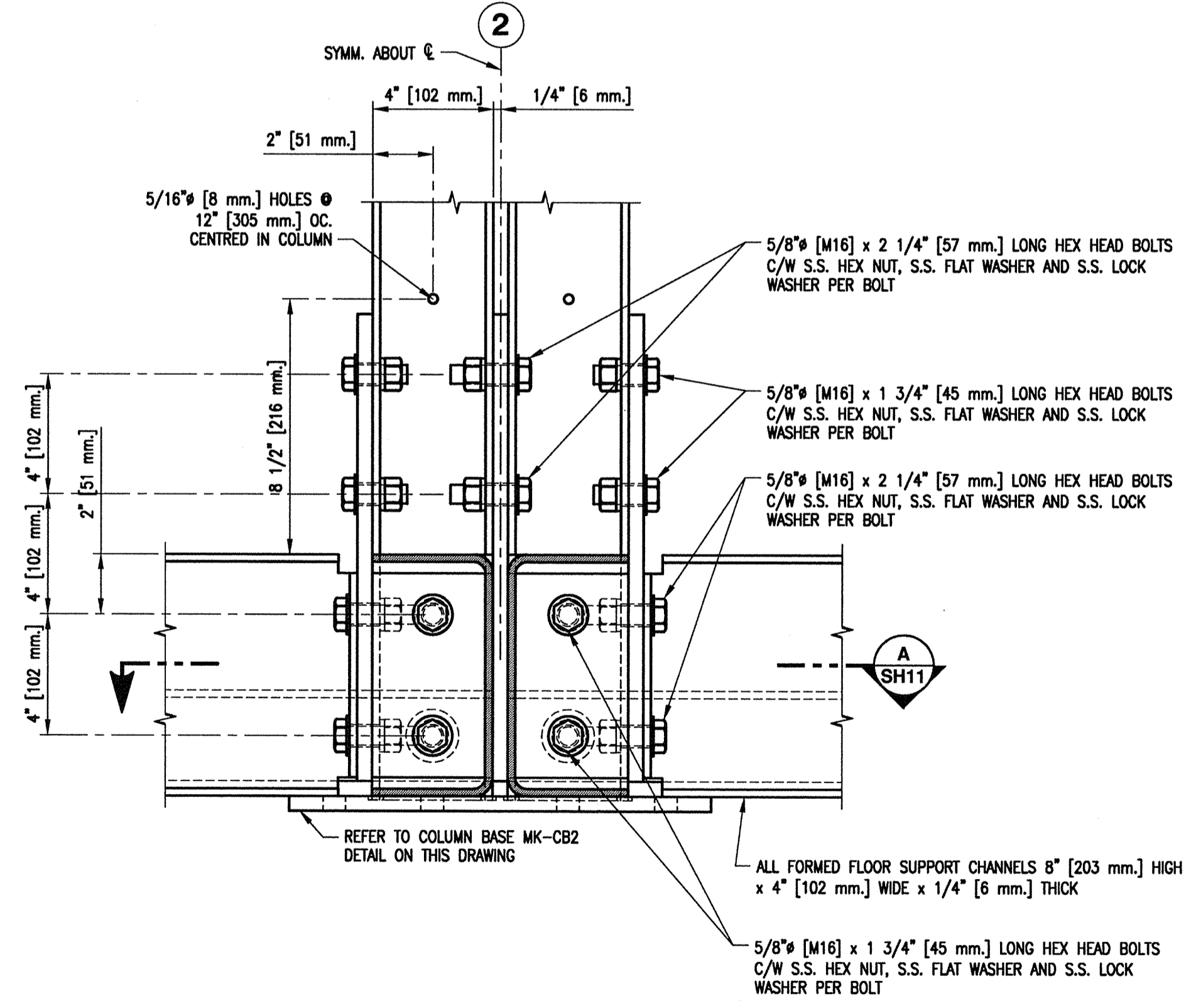


**ROUTED BASE PLATE**

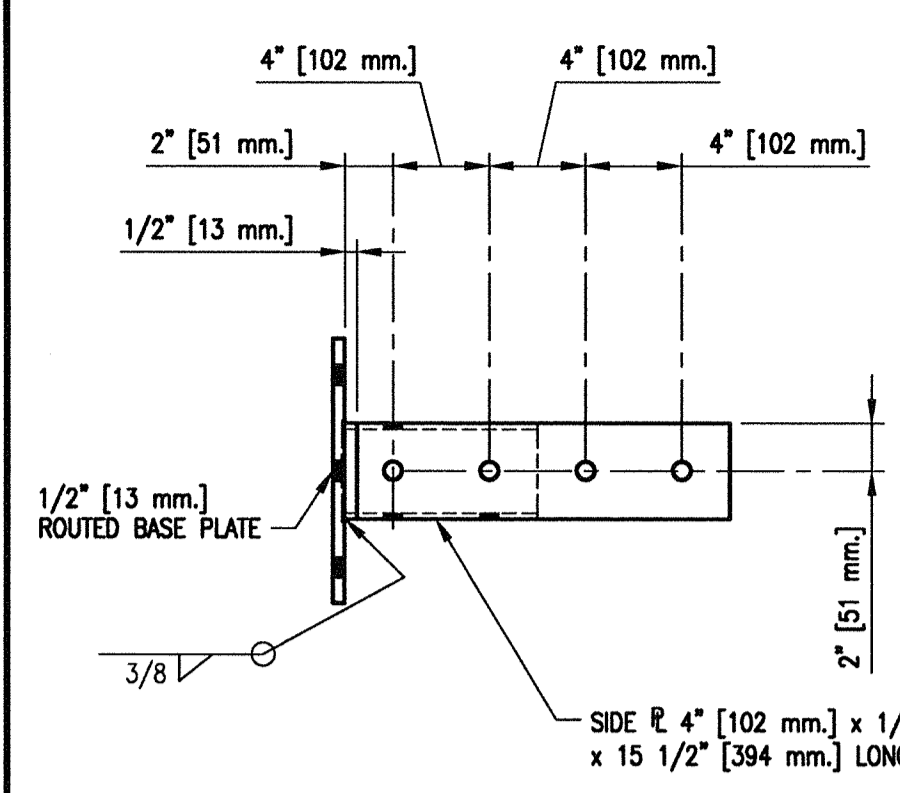
1. FOR GENERAL NOTES AND LEGEND REFER TO DRAWING 4-30-16-SF SH1.



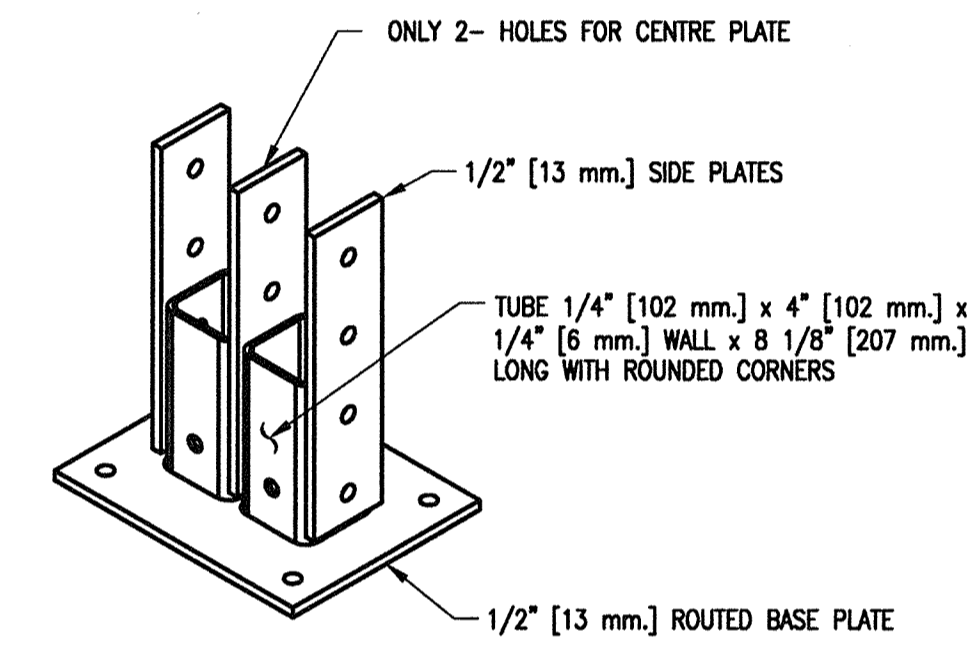
**SECTION** A SH11  
SCALE 1:4



**DETAIL** 1 SH6  
SCALE 1:4

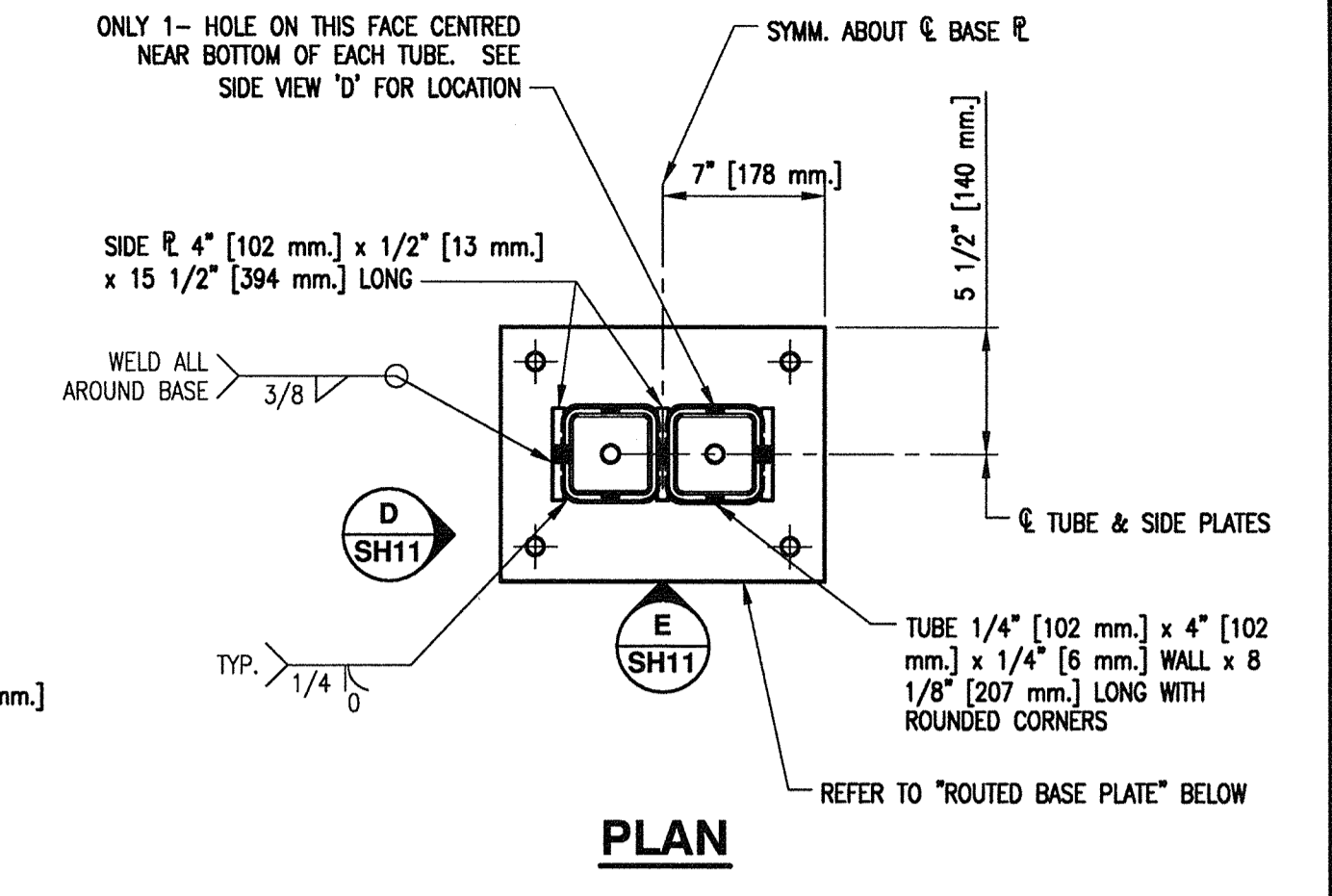


**SIDE VIEW** D SH11

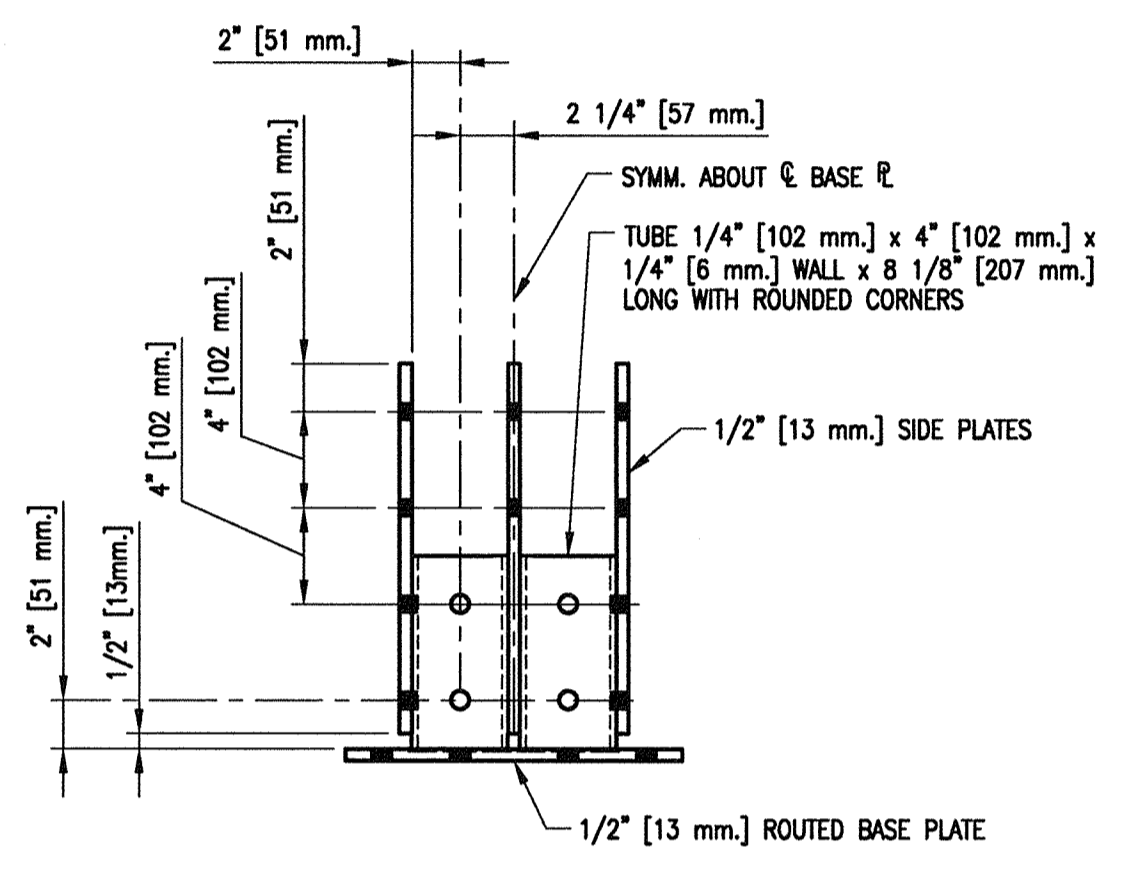


**3D VIEW**

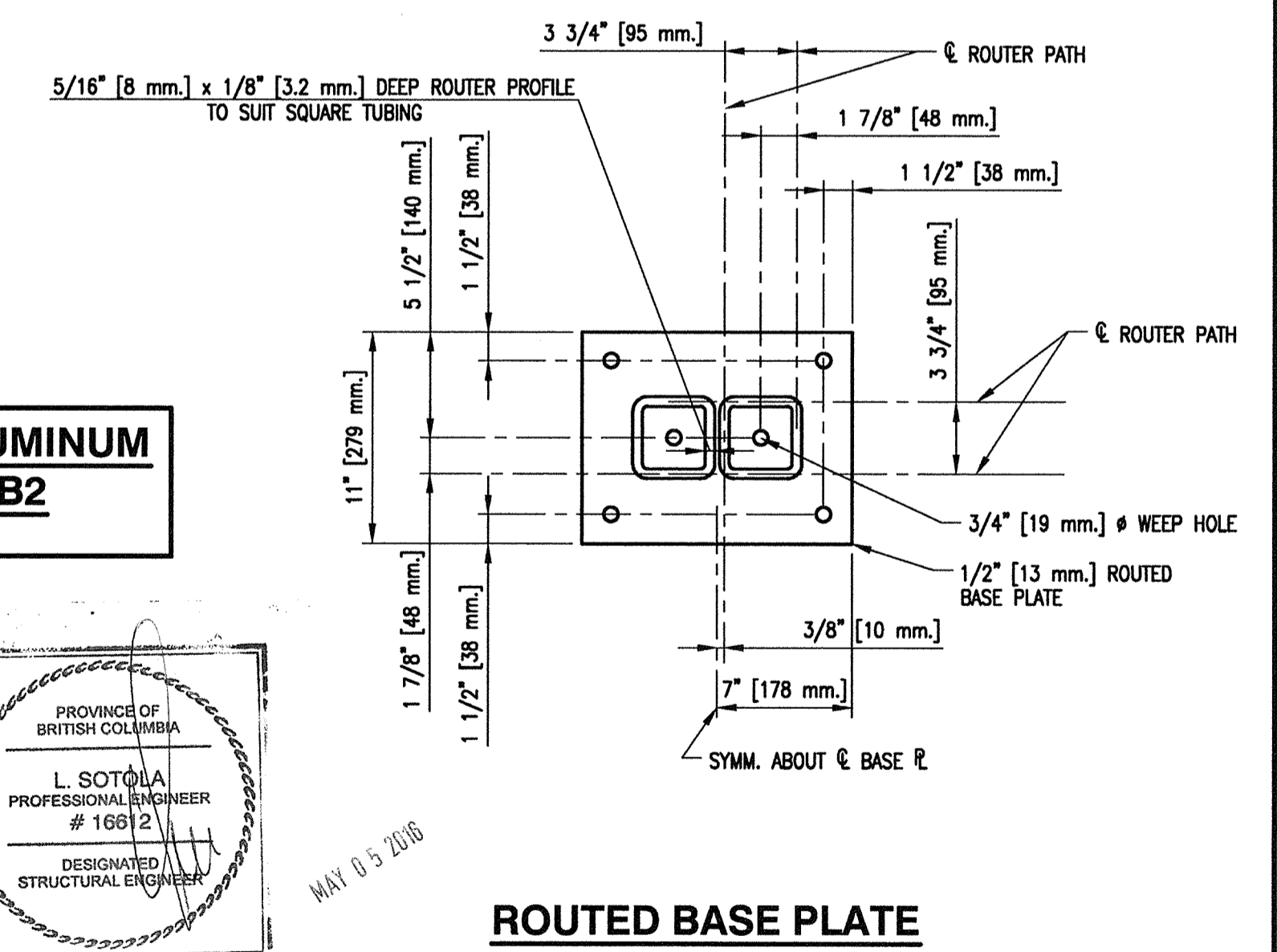
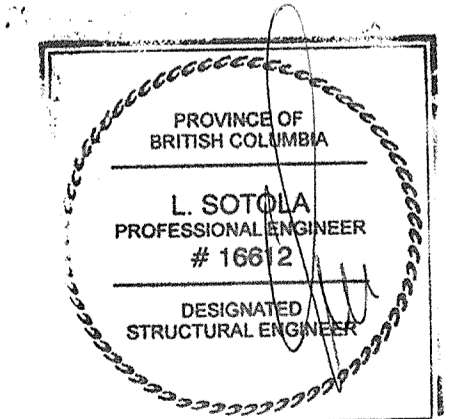
**MAKE TWELVE [12] ALUMINUM COLUMN BASES MK-CB2**  
SCALE 1:8



**PLAN**



**SIDE VIEW** E SH11



**ROUTED BASE PLATE**

**FISHERIES AND OCEANS CANADA**  
REAL PROPERTY, SAFETY & SECURITY

**PREFABRICATED BUILDING**  
MODEL 24X72-S1  
**STRUCTURAL ALUMINUM FRAME**  
COLUMN BASE MK-CB2 AND  
COLUMN BASE MK-CB3  
SECTIONS AND DETAILS

SCALE	AS NOTED
DATE	MAY 11, 2015
DWG. NUMBER	4-30-16-SF
SHEET	11 of 11
SIZE	D
REVISION	

DWG. NO. DRAWING REFERENCES

NOTES

NO. DATE

REVISIONS

DESIGNED	M. Liang
DRAWN	G. Reichardt
CHECKED	
RECOMMENDED	
APPROVED	
APPROVED	