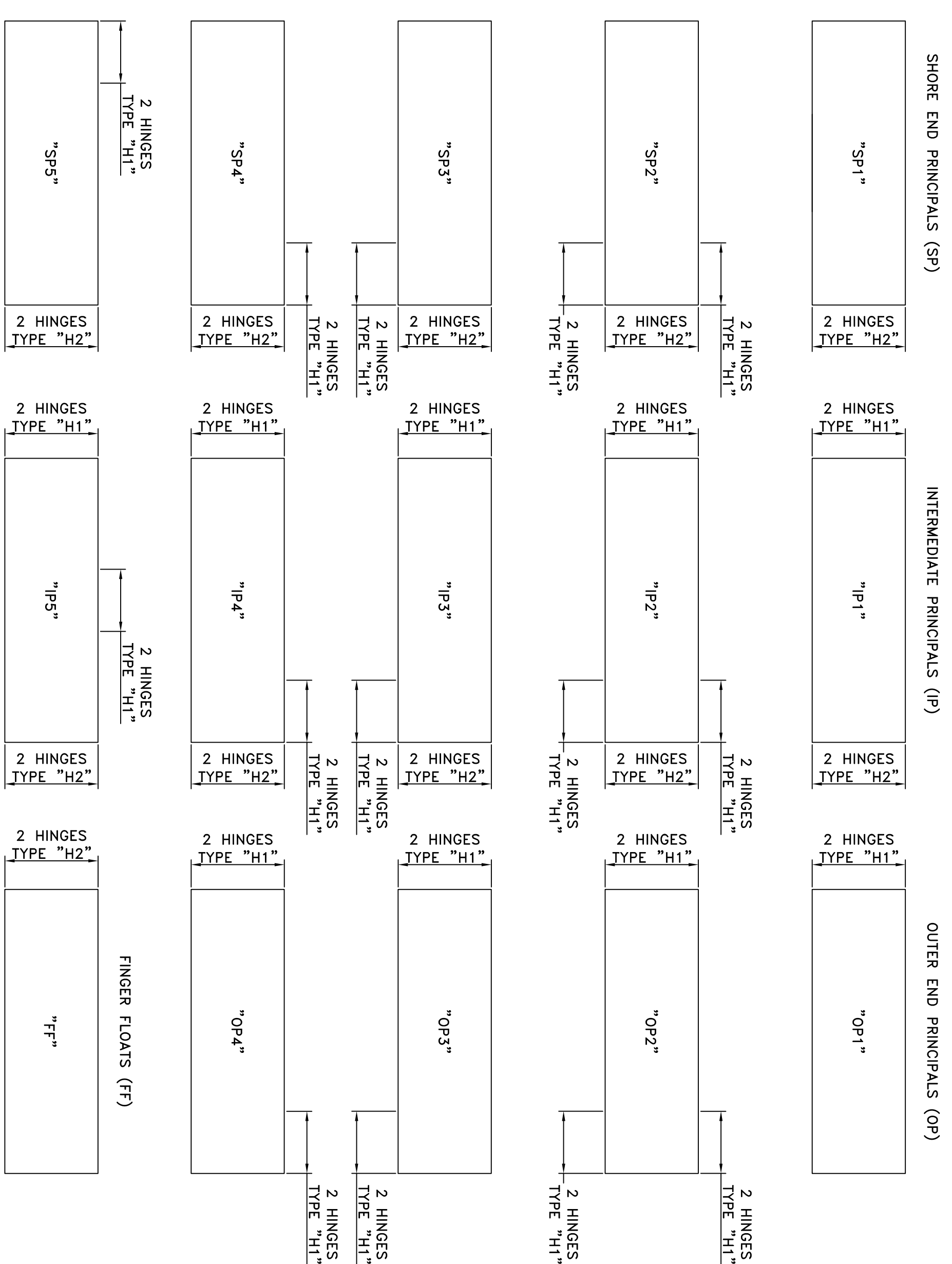


SMALL CRAFT HARBOURS
CENTRAL AND ARCTIC REGION



NOTES:

- DIMENSIONS ARE IN MILLIMETRES UNLESS OTHERWISE STATED
- CONTRACTOR TO SHOP PAINT ALL STEEL HARDWARE WITH TWO (2) COATS OF RED RUST INHIBITOR PAINT

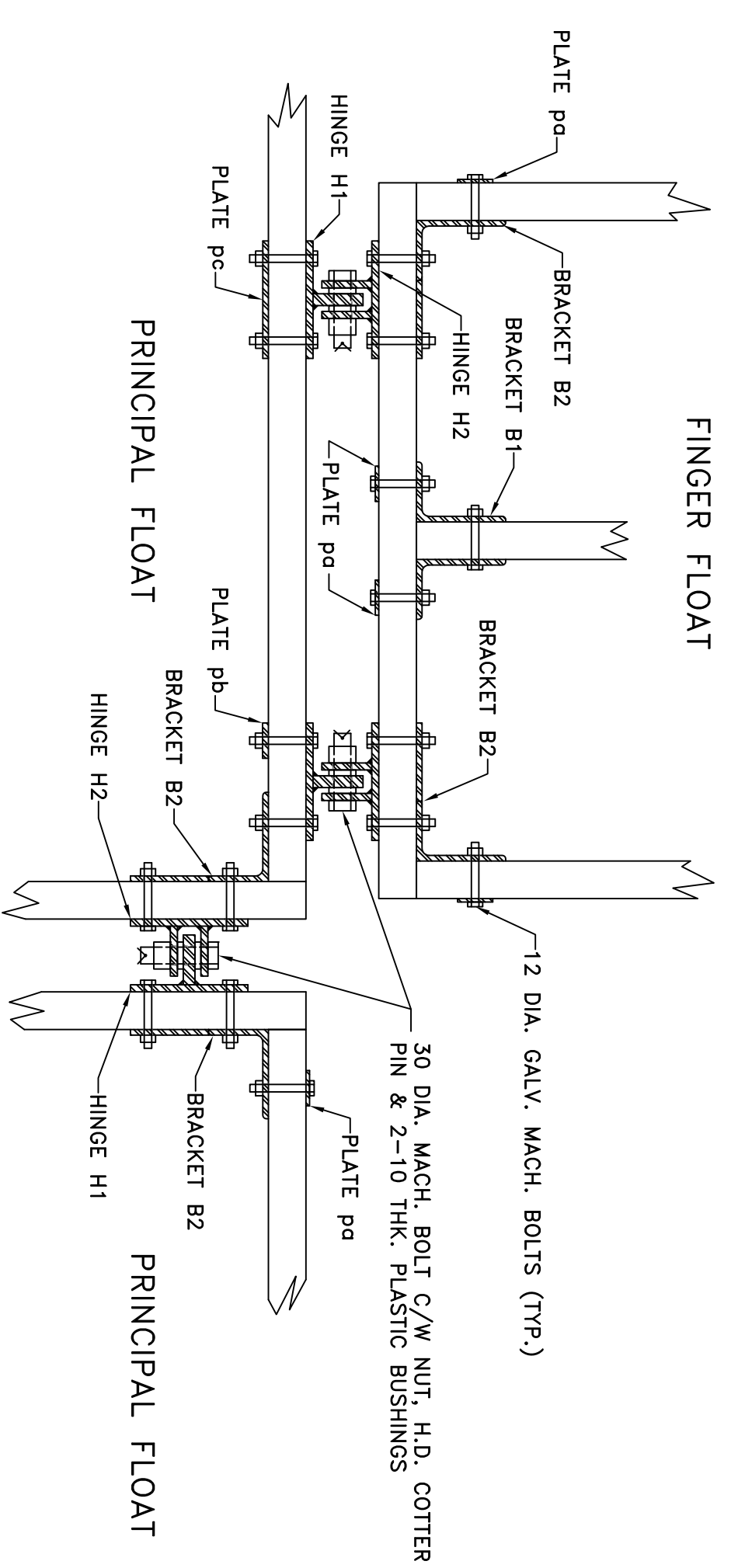


TYPICAL HINGE CONFIGURATIONS

SCALE: N.T.S.

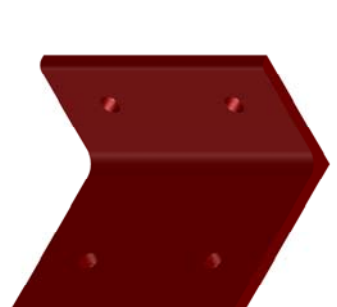
NOTES:

- LOCATE HINGES AS PER "FLOAT CONNECTION DETAIL"
- CONTRACTOR TO SHOP PAINT ALL STEEL HARDWARE WITH TWO (2) COATS OF RED RUST INHIBITOR PAINT
- "P5" HINGES AT FINGER FLOAT CONNECTION TO BE BACKED WITH PLATES pc

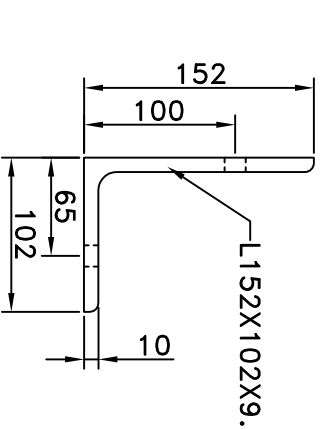


FLOAT CONNECTION DETAIL

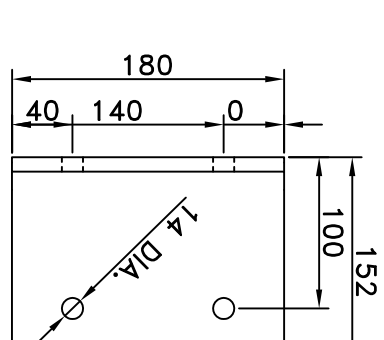
SCALE: 1:10



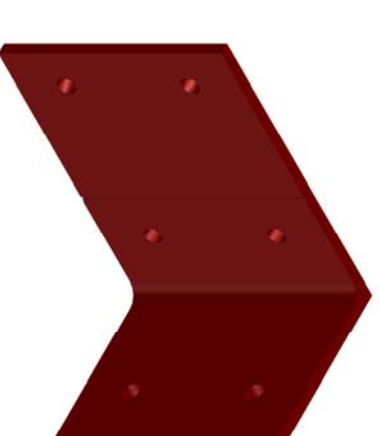
ISOMETRIC



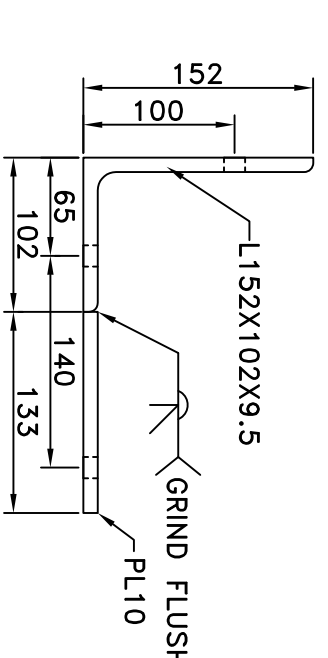
PLAN



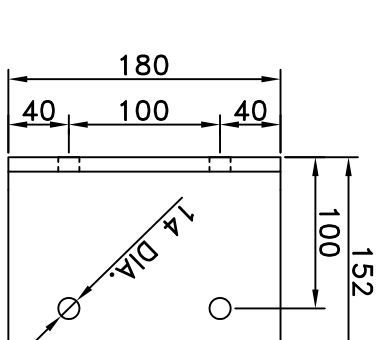
SECTION



ISOMETRIC



PLAN



SECTION

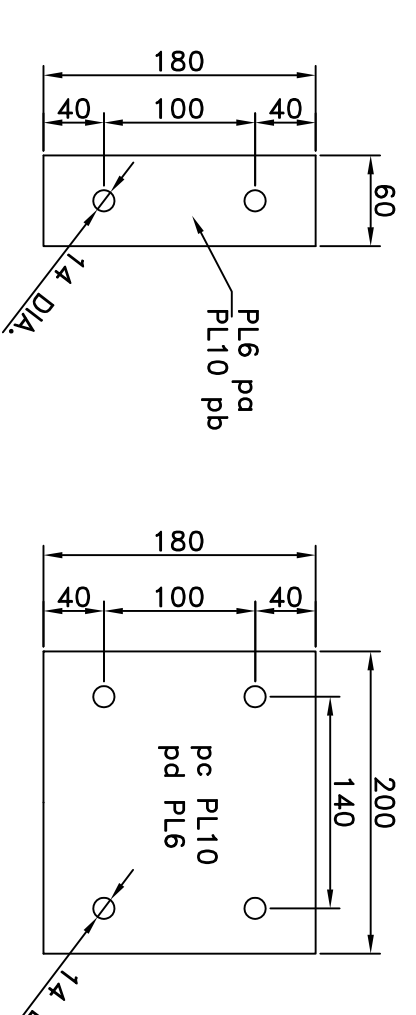
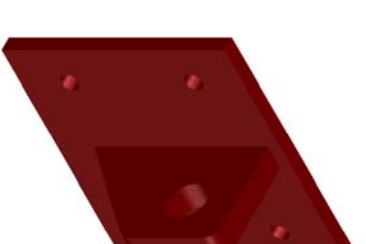
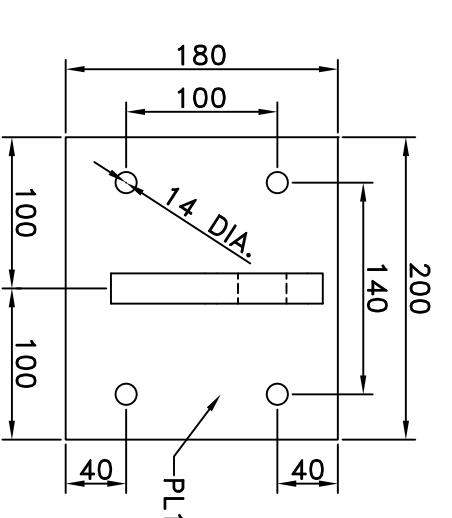


PLATE WASHERS

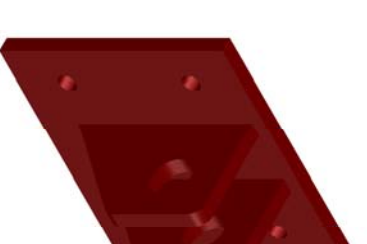
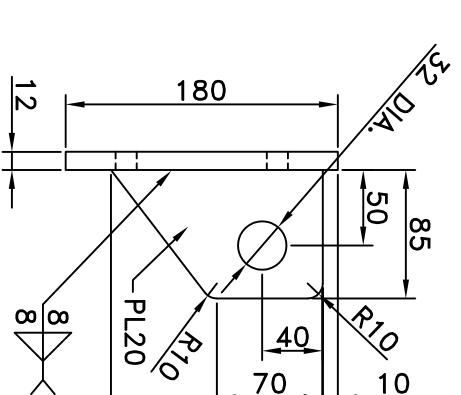
SCALE: 1:5



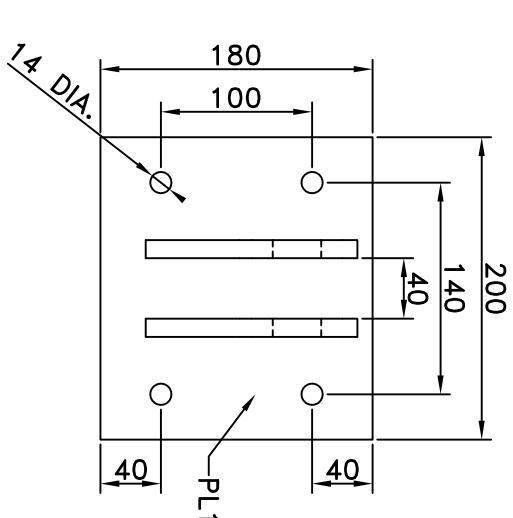
ISOMETRIC



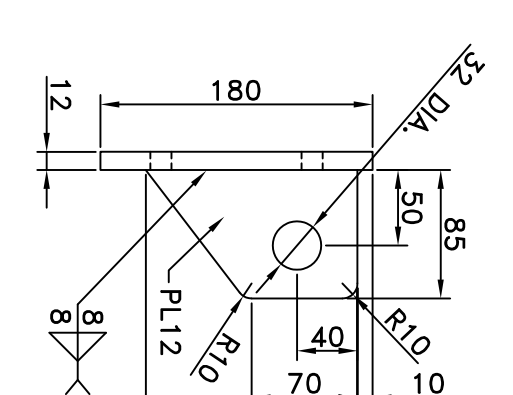
SECTION



ISOMETRIC



SECTION



NOTE: H2 C/W 30 DIA. MACH. BOLT, NUT H.D. COTTER FIN AND 2 - 10 THK. PLASTIC BUSHINGS

FLOAT WHARF REPLACEMENT

FLOAT WHARF HINGE CONNECTION DETAILS

DRAWN: S.K. APPROVED: E.M.

DATE: SEPT. 2018 DATE: SEPT. 2018

HAY RIVER - EAST CHANNEL, NT

DRAWING NO.: C-4 OF 5 LOCATOR CODE: 5976