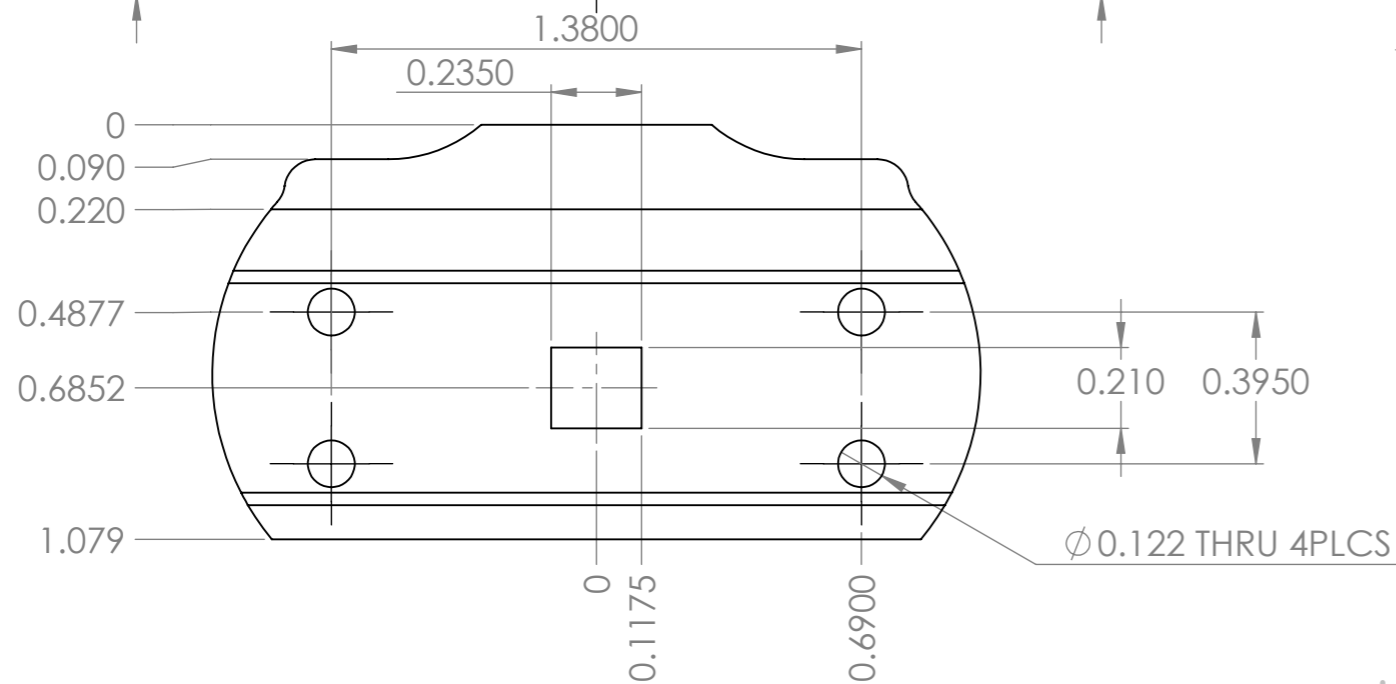
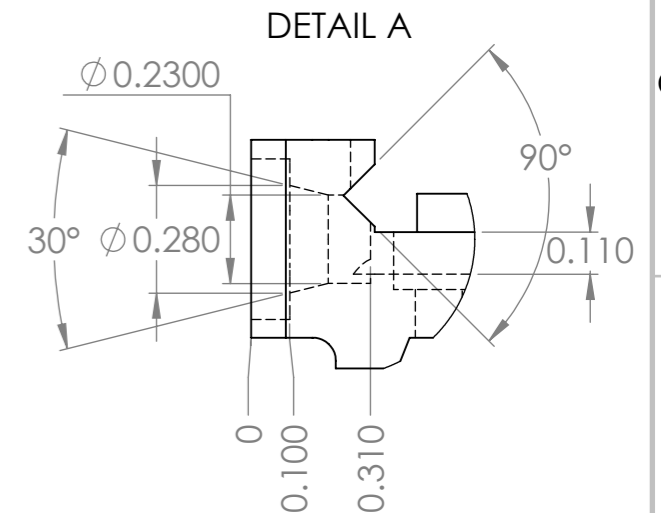
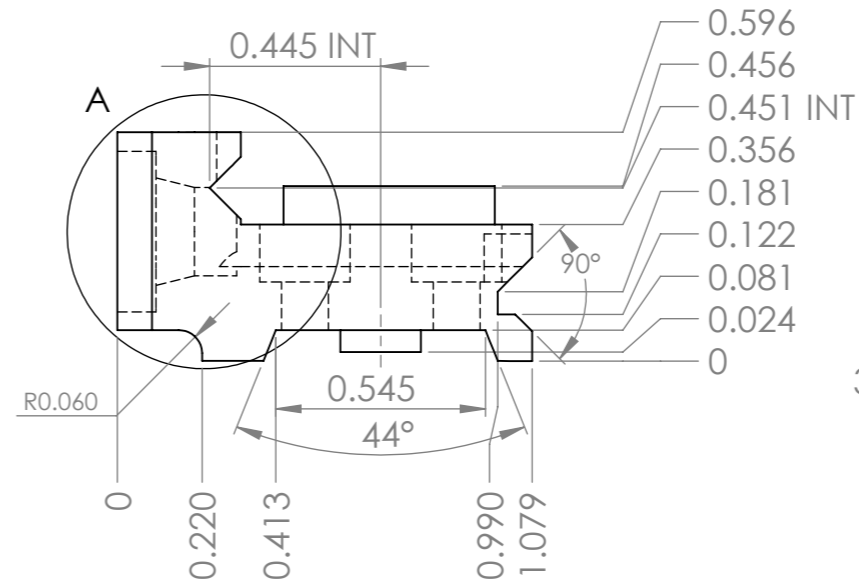
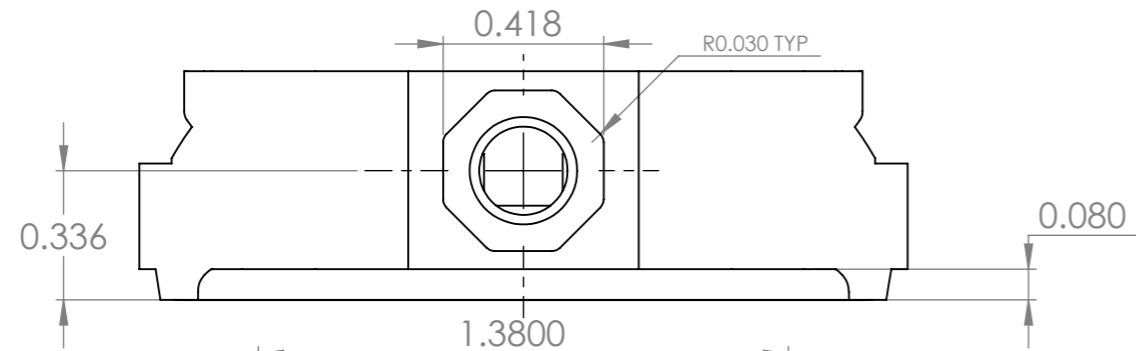
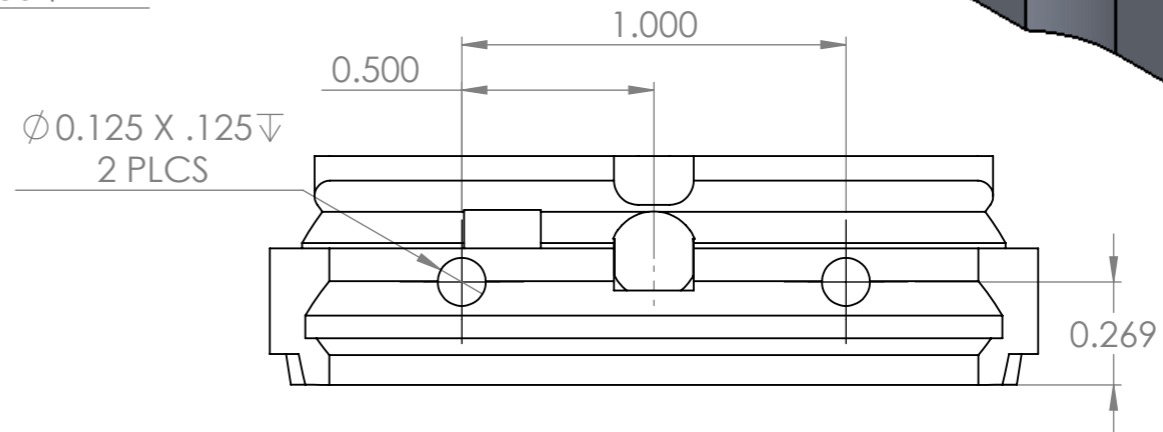
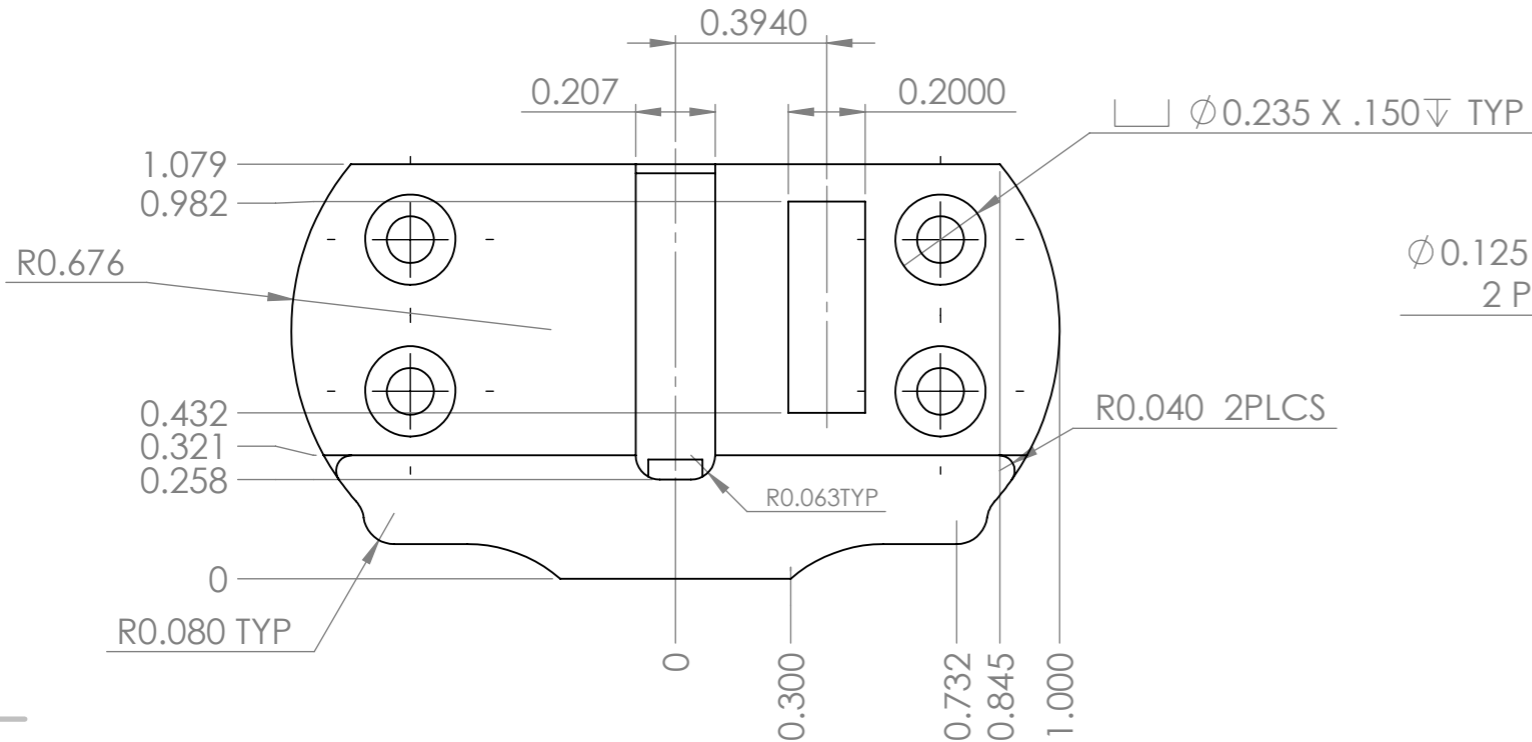
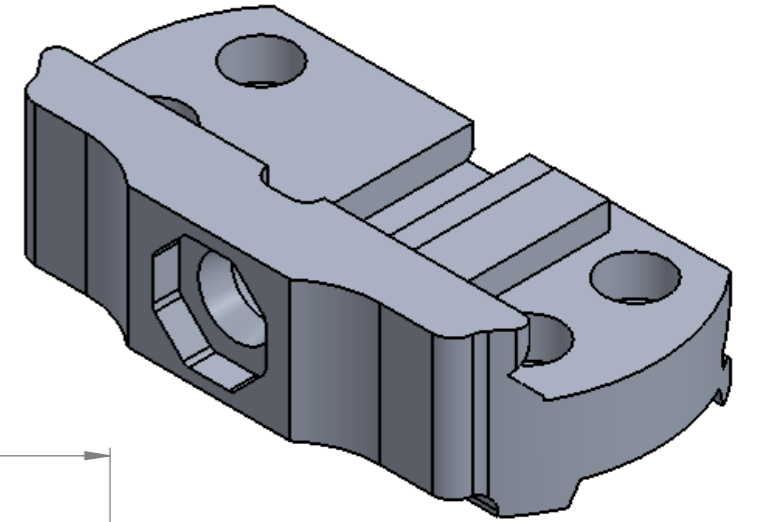


-BRAKE ALL SHARP EDGES .010-.015
 -TOLERANCE DECIMAL $\pm .005$ $\pm .0010$
 -HARD COAT ANODIZE MIL-A-8625 TYPE III
 CLASS 2 , MATT BLACK .002 SURFACE
 -ALL TOLERANCE APPLY AFTER ANODIZE



UNLESS OTHERWISE SPECIFIED: DIMENSIONS ARE IN MILLIMETERS SURFACE FINISH: TOLERANCES: LINEAR: ANGULAR:		FINISH: CLEAN	DEBURR AND BREAK SHARP EDGES	DO NOT SCALE DRAWING	REVISION
DRAWN LADOUCEUR 17/01/16			RCMP-GRC		
CHK'D			TITLE: 870T2MOUNT-REV2		
APPV'D			DWG NO. 7700XXXX		
MFG			A3		
Q.A			SHEET 1 OF 1		
MATERIAL: 7075-T6		WEIGHT:		SCALE:2:1	